

doppio[®]

U450

User Manual

Contents

<i>Preface</i>	4
About Manual	4
Security & Law Information	4
Battery use and security	4
Attentions	4
About phone	5
Main Buttons	5
Turn On/Off	6
Lock and Unlock	6
Home Screen	6
Status Bar	6
Notification Bar	6
Preparation and Installation	6
Input Method	7
<i>Basic Functions</i>	10
Phone	10
Contacts	10
Messaging	11
Gmail	11
Chrome	12
Play Music	13
Camera	14
Camera	14
Video	14
Gallery	14
Sound Recorder	15
FM Radio	15
File Manager	15
Calendar	16
Clock	17
Alarms	17
World Clock	17

You can add clocks in different countries.	17
Timer	17
Stopwatch.....	17
Calculator	17
Settings.....	17
Wi-Fi	17
Bluetooth	18
Sound & Notification	19
Display	19
Storage & USB.....	19
Apps	20
Location	20
Security	20
Language & input.....	20
Backup & reset.....	21
Date & Time.....	21
Accessibility.....	21
About Phone.....	21
Other Google™ App.....	22
FCC Note.....	22
<i>Safety Warning</i>.....	23
<i>Caution</i>	24

Preface

Thank you for choosing the smartphone U450.

Features quick access to the internet. It leads you to an entirely new and fascinating mobile internet world. This manual systematically introduces many functions of this smart phone, tips and notes. Please read the safety and law section before using the smart phone.

About Manual

Note: The illustrations in this manual are only for reference, and their functions are based on the real product. Because this product is updated continuously, this manual may not introduce all the features and it is only for your reference, the features are based on real product.

Security & Law Information

Battery use and security

1. The battery performance is dependent on wireless service network configuration, signal strength, temperature, functions or settings selected and used, etc. In order to save the electricity, you can reduce the interface for switching on the background light. When not using the wireless network, you should shut down the WLAN, Bluetooth , etc.
2. Always use the original battery and charger. The loss caused by battery or charger not produced will not be covered by the guaranty.
3. Instructions to charging: Keep the battery temperature under room temperature or near to room temperature during charging.
4. The screen may not display normally during charging if the electricity is out of power. This phenomenon is normal. You can reboot this device after charging for a while.
5. After long term use, the battery may require frequent or long time charging. This phenomenon is normal. However, if the use time is reduced and charging time is increased after normal charging, you may have to replace the battery.

Warning: The disqualified battery or charger may cause fire, explosion, leakage or other dangers. The use of wrong battery or damaged battery may cause fire, explosion, leakage or other dangers. Please do not disassemble battery in fire, so as to prevent the explosion.

Attentions

Please read the following information to safely and effectively use the device.

- 1. Keep away from any liquid**
Keep away from rain, water, extreme humidity, sweat or other wet objects.
- 2. Keep away from extreme hot or cold environments**
Do not place the device under the environments where temperature is lower than 0°C (32°F) or higher than 45°C (113°F).
- 3. Keep away from microwave**
Do not place the device in microwave oven for drying.
- 4. Keep away from dust or mud**
Do not expose to dust, mud, sand, food or other improper substances.
- 5. Cleaning**
Please use the dry soft cloth for drying. Do not use alcohol or other cleaning agents.
- 6. Fall prevention**
Prevent the fall from height.

About phone



Note: The illustrations in this manual are only for reference, and their functions are based on the real product. Basic Operations.

Main Buttons

- 1. 【Home】** :Touch this button to return to home screen.
- 2. 【Power】** :When the screen is unlocked, long press **【Power】** to turn on/off the computer. In any other interface, short press this button to lock the screen.
- 3. 【Volume】**:Press **【Volume】**key, to display the pop-up box of “Volume Adjust”.
- 4. 【Menu】** : Press **【Menu】** key, to display desktop thumbnail.

5. **【Back】** :Press **【Back】** key, back to previous step.

Turn On/Off

1. To power on, please long press **【Power】** for three seconds until boot logo appears on the screen. Please wait patiently because the initialization takes several seconds.
2. To turn it off, please long press **【Power】** , and touch “Power Off” in “Device Options” box.

Lock and Unlock

1. Lock

Please press **【Power】** to lock this screen to prevent some unexpected operations.

2. Unlock

After the screen is off, please press **【Power】** to wake up the screen, and then drag the slider upwards to the green ball to unlock the screen.

Home Screen

1. Desktop

2. Applications

On the shortcuts bar, touch to enter Main Menu for all applications, Touch **【Back】**or **【Home】**return to the previous screen; On Main Menu, long press any application till the check box appears, drag it onto one of desktops, put it on the idle place. According to such operations, you can place any application to your favorite position.

Status Bar

You can't operate the status bar, it displays some relevant information, including: GPS, Bluetooth, Wifi , battery power , system time, etc.

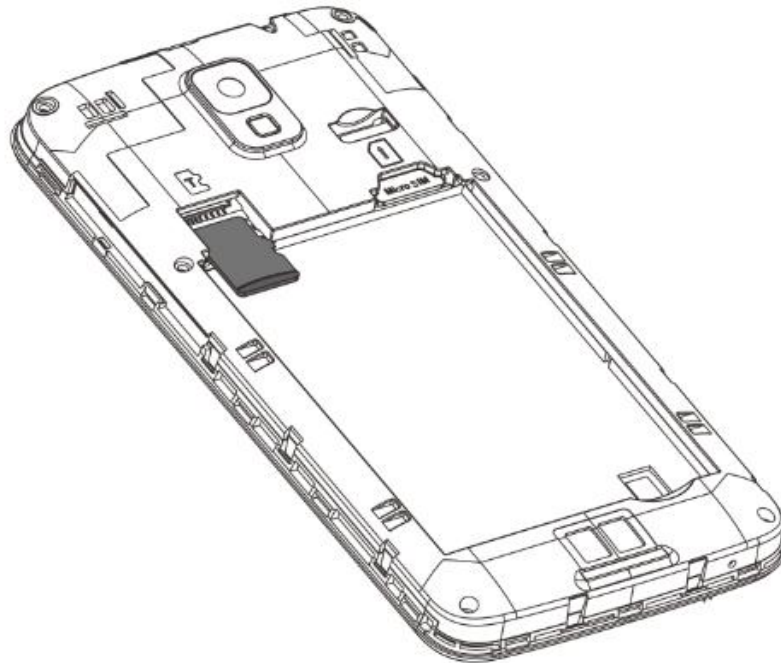
Notification Bar

Slide the screen from top to bottom in any interface, and it will display the notification bar,Then you can hide the notification bar by sliding the screen from bottom to top.

Preparation and Installation

1. Plug and Unplug SD Card

Please plug or unplug SD Card when the device power off. It is forbidden to carry out this operation when the device is running. Any data loss or damage resulting from the faulty operations is attributed to users.



2. USB disk Identification

The device supports hot-plug of USB disk. After USB disk is inserted, you can dealing with data in USB disk after its light is on. Please refer to “File Manager” for the usage of USB Disk.

Note: It is forbidden to remove USB disk when data in USB disk is being copied, transferred or deleted to prevent data damage.

3. Transferring Data With Computer

Connect this device to a computer with a USB cable, drag out the notification bar. Touch “USB Connected”, click **【MTP】** or **【PTP】** . Then on the computer, you can view data in Device and SD Card storage. So data transferring can be achieved between this device and the computer.

Note: It is forbidden to disconnect USB link during transferring data, because it can lead to data loss or damage.

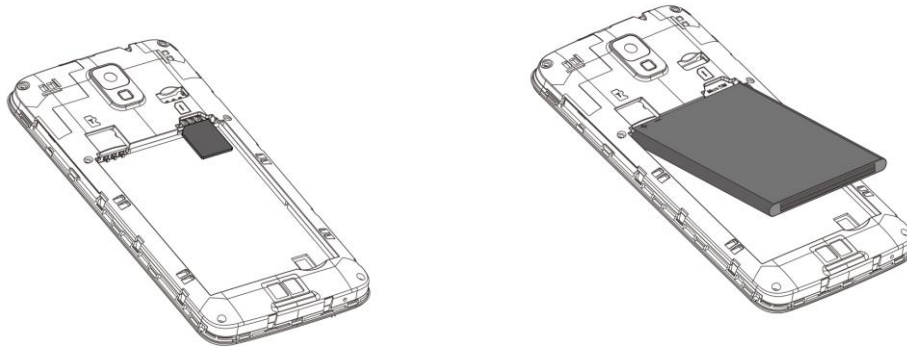
Install / Remove the SIM Card and Battery

Make sure to switch off the device and disconnect from charger before installing and removing the SIM card and battery. To install / remove the SIM card and battery, perform the following:

1. Turn the mobile phone OFF.
2. Snap open the phone’s back cover and pull out the battery.

3. Carefully insert the SIM card into the SIM card slot, making sure that the card's gold plate is facing down and in proper alignment with the phone's metal contacts.
4. Carefully return the battery into its slot and put the cover back on.

Note: If the screen displays that the SIM card is locked permanently, please consult your network operator.



Charge the Battery

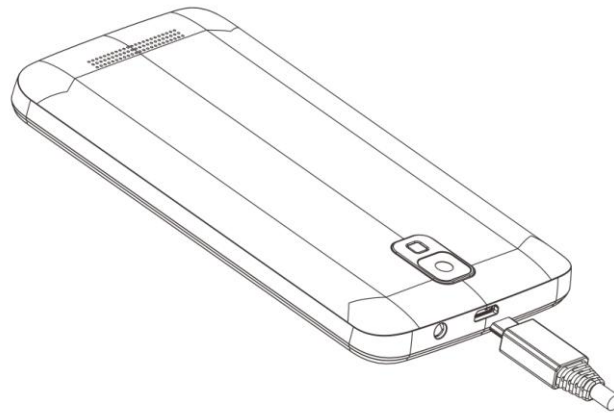
1. Plug the charger into the electrical outlet.
2. Connect the small end of the charger connector into the mobile phone's charging slot.

The battery indicator icon will flash until charging is finished. When charging is complete, i.e. the battery charging icon stops flashing, disconnect the phone from the charger.

▲: Do not forget to unplug the charger from the electrical outlet after charging.

▲: Only use approved charger and other accessories.

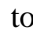
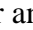
⚡: You can use the phone while charging, but charging time may increase. When charging the handset in its Power Off state, a charging indicator will appear on the screen.



Input Method

Long press any input field to display the pop-up box of “Edit Text”, then touch “Input Method” to display the pop-up box of “Select Input Method”. You can click and choose the input method of “Android™ Keyboard”.

1. Keyboard

Touch  to change letter cases between Capital and Lower; Touch  to switch into Number and Symbol keyboard;

Basic Functions

Phone

1. Dial

1.1 Input phone number, then press the 'Call'. To make international calls, long press 0 key to get the symbol '+' (which will allow you to the local international telephone prefix), then input the country code and integrated phone number;

1.2 Answer or decline the incoming call, Pick up the call by click the 'Answer', to end the call by click the 'Dismiss'.

1.3 Please refer to the 'Contacts' to using the contacts name and phone number;

1.4 Press the 'Recent' could access the list of recent call records.

1.5 Calling To increase or decrease the volume in the process of calling, press the up or down side key, during a call to choose mute, small keyboard, add Calls, Hold, contacts need to press the main button, and then click the icon to enter;

1.5.1 Touch "mute": press the "mute" during calling, you can still hear the other speak, and the other side can not hear you speak;

1.5.2 Small keyboard: You can use the small keyboard to enter information, you need to click "hide keyboard" to return dial interface; after using a small keyboard, click on the "end call" to hang up;

1.5.3 Touch the hands-free, calls is in the state of speaker

1.5.4 Add Calls: During a call, if you need to contact third-party call, you can click "Add call"

1.5.5 contacts: Click "Contacts", you can find the telephone numbers you need and call or send text messages to increase

1.5.6 Background Call: During the call will be returned to the main interface used for other operations, to return the call screen, tap the green background status bar.

1.5.7 Call waiting: the network will inform you if you have a new incoming call while you are talking (Network service). You can click the "Answer" to pick up the waited call while talking, and the first call would be kept.

Contacts

This phone has business card like phonebook. The information of each contact stored in this phone include: multiple numbers (phone number, family number, company number Fax, etc.), e-mails (domestic mail, company mail, etc.), company name, company name, Web site, Instant messaging, mailing address. Options content introduction:

Search: This is a short cut method to quickly search for a contact in the phone book. By entering the first character of any name, you can see the full list of names

starting with that character. You can either select or type the next character of the name to get the exact entry. Use the keypad to enter the characters.

Add New Entry: To add a new contact to the contact, you can save the names, numbers and other information in "Phone" memory.

Display options: you can choose to filter contacts, such as only display contacts with phone numbers.

Account: You can set the account with the synchronization settings, you can add accounts and synchronize contact information.

Import / Export Contact: Contact information from the SIM card and SD card can be imported.

Personal Collection :Personal collection allows you to quickly access the most common phone number. Add contacts to your personal favorites list: Tap into the contacts list, select a contact, you can save to your personal favorites list. Edit personal favorites list: Click the upper left corner, then tap a contact or next to number and tap "delete."

Messaging

Write your message in the blanks, You can choose Save and Send, Save, Send To Many. You can input the phone number or get from the Contacts for the Send To Many.

In the editing interface, press the "+" button (menu button), choose Add Theme, after adding, this message automatically transforms into MMS, MMS attachments, you can tap the small icon to the left of the input box, to add different types of Attachments.

Read and reply SMS

The phone default mode is text chat mode, enter the text chat mode, SMS memory status is phone. All information, contacts, and time is classified, contact categories, select one of the contacts, you can see the received all the messages of this contact

If you want to read the received message, just choose it. In message display interface, long press the content will pop function select menu, you can directly dial the contact's phone, or save the contact numbers to the phone book.

If you want to reply the SMS. Please go to Send. Enter into editor status to edit message.

Gmail

You can use this device to receive or send your Email anywhere or at any time.

Note: E-mail can be used normally when the wireless network is well connected.

1. Email Account

1.1 Create Account

- **Input User ID & Email:** When creating an E-mail account, you can choose Gmail or others, input user name, E-mail address, password, etc.
- **POP3:** After inputting user name & Email address & password, touch

“Manual Setup”, enter POP3 edit, input POP3 parameters, touch “Next”, it will check the incoming server.

- **SMTP:** After checking and linking the incoming server successfully, enter SMTP edit, input SMTP parameters, touch “Next”.
- **Establish Account:** After checking and linking the sending server successfully, you can established this E-mail account successfully.

1.2 Edit Account

On accounts list, long press an account, choose “Edit”, and then you can also edit this account successfully.

Note: When you edit an account with the remembered password, you needn't enter password. Otherwise, you have to enter the correct password.

1.3 Access Account

In E-mail accounts list, touch an account, enter this account, and you can view its mailbox.

Note: When you access to the account with the unremembered password, you have to enter the correct password. Otherwise, you needn't enter password.

1.4 Delete Account

On accounts list, long press an account, select “Delete”, touch **【OK】**, and then you can delete this account.

Note: When you delete an account with the unremembered password, the correct password is required to delete this account.

2. Compose

You can add the receiver, Cc, Bcc, add enclosure, input title and contents when writing an e-mail. Touch “Add” to add the receiver from contacts; touch “Enclosure” to add enclosure from Local disk or SD Card.

3. Send E-mail

After inputting title and contents and the receiver(s), etc, touch “Send”, you can send the E-mail to one or more receivers.

Note: E-mails can only be sent with the good network connection.

4. Receive E-mail

While the network connection is good, enter an Email account, touch “Refresh”, and you can refresh your mailbox and receive E-mails normally.

5. Inbox

After you enter your mailbox, you can Check, Forward, Reply, Replay to All, Mark as Unread (or Read) or Delete E-mails.

Note: The operations in Drafts, Outbox, Sent, Deleted, etc. are same as Inbox.

Chrome

With good connection of the network, you can log-in and access to internet browser through this device.

Note: If you can't browse websites, please check whether the network connection or

the Browser settings is right.

1. Input Website

On browser page, you can input some website.

2. Bookmarks

You can browser the web and add it as bookmark.

3. History

The websites which have been browsered.

4. Find in Page

On browser page, touch **【Set】** , select “Find on page”, input a keyword, touch **【Done】** ,you can find this keyword on the current website.

5. Share page

On browser page, touch **【Set】** , select “Share...” ,you can share this website to others by gmail,bluetooth,messaging and so on.

6. Add to Home screen

Add the current website to homesceen,later you can login this website directly.

7. Settings

On browser page, touch **【Set】** , select “Settings” ,you can execute such settings as “Page content settings”, “Privacy settings”, “Security settings”, “Advanced settings”, etc.

Play Music

1.Functions

1.1 Play/Pause

When there are songs in the playlist, touch **【Play】** to play; touch **【Pause】** to pause.

1.2 Drag Slider

While playing a song, drag the slider from left to right to fast-forward or rewind.

1.3 Switch Songs

If there are some songs in the playlist, touch **【Previous】** **【nexe】** to play the previous or the next song.

1.4 Play Modes

You can change the shuffle play on or off ,so it is with repeat play.

1.5 Volume

Touch **【Volume】** to adjust the volume.

1.6 Play list

Playlist If there are songs in gallery, when touch the play list icon on the screen ,it will list all of the songs stored in the phone and SD card foe your choice.

➤ **View Playlist:** After entering playlist, you can view playlists and the songs in each playlist.

➤ **Delete Songs from Playlist:** In playlist, you can delete it.

● **Search:** You can search the current music of the play list.

Camera

Camera

This device has double lens, Front lens and Rear lens, you can capture high-quality photos.

1. Switch Between Camera and Video

After entering Camera interface, touch “Camera” or “Video” ,you can switch between them.

2. Capture Photos

In Camera interface, you can touch “Capture” to take a photo, it can be saved in Local disk or SD Card, and you can view photos in Gallery.

3. Menu Operation

When After taking a picture, you can press **【Menu】** to carry out operations.

4. Gallery

About photo operations such as View, Slideshow, Label, Edit, Share, Delete, etc.,

Video

This device supports double-lens camcorder function, you can camcorder high-quality videos.

1. Camcorder

Touch “Video” button in Camera interface to go into Video mode; Touch “Video” button to finish and save it.

2. Settings

When camcording a film, press **【Menu】**, touch “Settings” icon to enter Settings interface.

3. Video Gallery

In Video Gallery you can also carry out such operations as Play, Share and Delete, etc. Please refer to Video Player.

Gallery

Gallery supports such picture formats as “bmp”, “jpg”, “gif” and “png”, etc. You can View, Slideshow, Edit, Zoom, Label, Share and Delete, etc. the pictures in Local disk and SD Card.

1. View Picture and Videos

In pictures index, touch one of them to enter its view, to view the pictures and videos.

When viewing a picture, you can touch the three-ring overlaying icon to spread out edit menu.

2. Share

On a picture browser, press the share icon ,touch “Share”, choose “Messaging” or

“Bluetooth”, you can send the current picture by messaging or bluetooth.

3. Zoom

On a picture browser, slide your fingers on the current picture, you can zoom in this picture.

4. Set the wallpaper

On a picture browser, long press the picture until appear popup a menu ,touch “More”, choose “Set picture as ”, then select the Wallpaper in the flowing popup menu, and then touch **【OK】** , you set the current picture as wallpaper.

5. Delete

On a picture browser, touch **【Set】** , choose “Delete”, then touch **【OK】** ,you can delete a single picture.

Sound Recorder

The format of recording files is *.3gpp. The recording length depends on the size of Local disk.

1. Record

In Recorder interface, touch video icon to start to record, touch it again to stop recording, and save this recording.

2. Play

Select a recording file from the recording list, touch **【Play】** to play it.

3. Delete

Select one or more recordings from the recording playlist and delete one or more.

FM Radio

Plug in your earphone before use. In FM interface, Touch the setup icon can be viewed search, Touch the off icon to off FM play, Touch channel list shows FM channel list, Touch on the left or right icon to switch FM bands, press volume keys to adjust the FM playing volume.

Search: Auto search FM channels in the channel list.

Speaker: Play FM by speaker.

Start recording: Record FM.

Save recordings: FM record list.

File Manager

In file manager, you can view files in Local disk & SD card & USB disk. You can touch and view the supported pictures, touch and play the supported audio files, touch and play the supported video files. You can also carry out such operations as “Search”, “Copy”, “Move”, “Share” or “Delete”, etc.

1. Add Folder

In files index of Local disk or SD card or USB disk, touch “+” icon,,creat a

folder,” , input a folder name, touch **【OK】** ,then you can create a new folder.

2. Search

In files index of Local disk or SD card or USB disk, touch magnifyer glass icon , , input a filename’s keyword, select a file type and scope, then touch **【OK】** ,and then you can find a file with the keyword in its filename.

3. Mark

In files list, long press the file , choose one or some or all files, then select “Copy to” or “Move to” or “Delete” icon, you can copy or move or delete a single file or all the files.

4. Share

In files list, long press a file, it displays the Options dialog box, touch “Share”, choose “By Email”, you can share this file to others by Email.

5. Copy

In files list, long press a file, it displays the Options dialog box, touch “Copy to”, choose a target path, then press **【Menu】** , touch **【OK】** , you can copy this file into the target path.

6. Move

In files list, long press a file, it displays the Options dialog box, touch “Move to”, choose a target path, then press **【Menu】** , touch **【OK】** , you can move this file into the target path.

7. Rename

In files list, long press a file, it displays the Options dialog box, touch “Rename”, edit its name, touch **【OK】** ,you can rename a file or a folder.

Note: The default folders can't be renamed.

8. Details

In files list, long press a file, it displays the Options dialog box, touch “Details”, you can view its details.

9. Delete

In files list, long press a file or a folder, it displays the Options dialog box, choose “Delete”, touch **【OK】** , you can delete this file or folder. By the way, you can delete some or all files (or folders) at a time by mark.

Note: The default folders can't be deleted.

Calendar

1. Query Scope

You can view calendar from Jan. 1st, 1970 to Dec. 31st, 2036.

2. New event

On calendar interface, touch Any day on the month style ,the screen changed into Day style. Touch one of the list times, the column appears “+new event”item,touch it again,the screen changed into edit interface,you can edit the event name、 location、 start time、 end time、 event description、 and so on. then touch done to save it.

Delete:Touch the built event ,then touch the top right corner junk icon,select OK

to delete the current event.

3. Display mode

On calendar interface, touch the date item located on the top left corner , from the drop-down list menu,selected the “Week ” or “Day ” or “Month ”or “agenda”, you can switch among the four different display modes, and you can view To-dos in these display modes.

Clock

Alarms

You can set several clocks in all. Click a alarms to enter its edit state, you can edit “Repeat”, “Cesium”, “Vibrate”, etc.

World Clock

You can add clocks in different countries.

Timer

You can use the timer to record the duration of an activity by countdown. You can set “Time”, , “Start”, “delete” ,”stop” ,”increase”etc.

Stopwatch

You can record the duration of an activity with a stopwatch. You can carry out such operations as “Start”, “Stop”, “Continue”, “Record” and “Clear” ,etc.

Calculator

Calculator supports four arithmetic operations such as “+”, “-”, “x” and “/”, and it also displays the calculation list. You can achieve such operations as “sin”, “cos”, “tan”, ,etc.

Settings

In settings, you can perform: Wi-Fi, Bluetooth,Audio profiles, Display , Storage, Battery, Apps,Location access, Security , Language&input, Back& reset, Date & time, Accessibility, About device.

Wi-Fi

In wireless network control, you can set WLAN,, VPN settings, Airplane mode, etc.

1. WLAN On/Off

Touch “WLAN” to switch between “On” and “Off”.

Note: Please turn off WLAN to save power when not using.

2. WLAN Settings

Set up and manage the wireless access points.

2.1 Scan WLAN

Scan and search WLAN devices nearby.

2.2 WLAN

Same as WLAN On/Off

2.3 Network Notification

Touch this item to switch between “On” and “Off”. If network notification is set as “On”, the owner will be notified when an open network is available nearby.

2.4 Add WLAN network

Create a new WLAN, input Network SSID and Security, touch “Save ” to save it.

2.5 WLAN network

It lists the WLAN network devices, touch one in the list, you can perform such operations as connection, disconnection or clear, etc.

2.6 WPS Pin Entry

Connect the computer with Wi-Fi router and input the random pin in 2 minutes,so your phone will connect the Wi-Fi.

2.7 Advanced

You can change more settings in it.

Bluetooth

1. Bluetooth On/Off

Touch “Bluetooth” to switch between “On” and “Off”.

Note: To save power, please turn off Bluetooth when not using.

1. Bluetooth settings

You can set Bluetooth On or off, Device name, Discoverable, Scan for devices and list the scanned devices.

Bluetooth On/Off

Touch “Bluetooth” to switch between “On” or “Off”.

Device Name

It displays the factory device name, touch the low-right corner until popup the hidden menu ,select the 3-line laying menu ,then choose the rename phone ,type any characters to edit its name.

Discoverable

Touch your device name to switch between “On” or “Off”. If it is “On”, The Bluetooth devices nearby can detect this device in 2mins.

Search For Devices

Touch this item to search the Bluetooth devices nearby.

Availbile Devices

When this device find other Bluetooth devices nearby, it will display them in this

list, you can click one and then input PIN for matching and connection.

Sound & Notification

In Audio profiles, you can set General, Silent, Meeting and outdoor mode,

1. General

on the General modes, you can set vibrate, Volumes, voice call ring tone, video call ring tone, Default notification sound, Dial pad touch tones, Touch sounds, Screen lock sound, vibrate on touch, etc.

2. Silent

Touch “Silent Mode” to switch between “On” and “Off”. After the mute mode is on, all the sounds will be mute except Media and Clock alarm.

3. Meeting

Touch “Meeting Mode” to switch between “On” and “Off”. After the meeting mode is on, all the sounds will be vibrate except Media and Clock alarm.

4. Outdoor

Touch “Outdoor Mode” to switch between “On” and “Off”. After the outdoor mode is on, all the sounds will be loudest ring and vibrate.

Display

In display settings, you can perform such operations as “Wallpaper”, “Brightness level”, “Adaptive brightness”, “Sleep”, “Font size” etc.

1. Wallpaper

Enter the wallpaper setting interface, select one of the default pictures, press **【Menu】**, touch ‘Set as wallpaper’, and set it as wallpaper. Press **【Menu】**, touch ‘More wallpapers’ to select a picture in Local disk or SD card, Slide the screen to select the display scope, and then set it as wallpaper.

2. Brightness level

The screen brightness can be adjusted manually.

Note: When adjusting screen brightness manually, you are required to close the function of “Adaptive brightness”.

3. Sleep

To save power, you can set the time of screen timeout, such as 15s、30s、1 min、2 min、5 min、10 min and 30 min.

4. Font size

You can select small/normal/large/extra large.

Storage & USB

Default write disk

Total Space

It displays the capacity of SD card when SD card is inserted.

DEFAULT WRITE DISK

You can set the file downed from internet or other device store in your phone

storage or SD card .

Note: If you format SD card, it will erase all the data in SD card, please be prudential to use this feature.

Apps

1. DOWNLOADED

This menu list all the APPS you installed on the device from the third party.

2. RUNNING

Such menu list the current apps Running on. You can View and stop the running applications.

3. ALL

It list all the APPS in your devices.

Location

Mode:

High accuracy——Use GPS,Wi-fi and cellular networks to determine location.

Battery saving——Use Wi-fi and cellular networks to determine location.

Device only——Use GPS to determine your location.

Security

1. Screen security

1.7 Screen lock

Choose screen lock style (None/Swipe/Voice unlock /Pattern/PIN/Password).

1.8 Owner info

Touch it to switch between “Show osner info on lock”, If it is set as “On”,Owner information to display on the lock screen.

2. Passwords

2.1 make Password Visible

Touch it to switch between “On” or “Off”. If it is set as “On”, all the inputted passwords are visible; If it is set as “Off”, the inputted passwords will display as dots.

3. Credential Storage

3.1 Trusted credentials

Such function will display trusted CA certification

3.2 Install from SD card

User can set or change the credential from SD card.

Language & input

1. Language

Touch this option to enter language list, and then choose display language.

2. **Keyboard & input methods**

Such menu support English(US) google keyboard.

Backup & reset

1. **DRM reset**

You can delete all DRM Licenses stored on your device .

2. **Factory data reset**

If you want to reset this device, it will erase all data from the device.

Note: When the device is connecting or transferring data with PC, factory data reset is forbidden. Otherwise, it may cause data loss or data damage.

Date & Time

1. **Automatic Date&Time**

Touch this item to switch between “On” and “Off”. If it is set as “On”, it updates the date auto. based on the value provided by the network.

2. **Automatic Time zone**

Touch this item to switch between “On” and “Off”. If it is set as “On”, it updates the time auto.

3. **Set Date**

With time updating “Off”, touch it to display the dialog box of Date Setting.

4. **Set Time**

With time updating “Off”, touch it to display the dialog box of Time Setting, and set system time.

5. **Select Time Zone**

Touch this item to enter “Select Time Zone”, touch and select any one of world cities list, and set it as system time zone. The default time is Beijing time.

6. **Use 24-hour Format**

Touch this item to switch between “On” and “Off”. If it is “On”, system time is in 24-hour format, otherwise, it is in 12-hour format.

7. **Choose Date Format**

Touch the left or the right arrow to set date format.

Accessibility

Manage accessibility options.

Note: This feature is based on the real product.

About Phone

1. **System software updates**

Check for new version software on-line.

2. **Status**

You can check and view “Battery status”, “Battery level”, “Network”, “Signal strength”, “Mobile network type”, “Service state”, “Roaming”, “Mobile network state”, “My phone number”, “IMEI”, “IMEI SV”, “Wi-Fi MAC address”, “Bluetooth address”, “Serial number” and “Up time”.

3. Legal information

Check the open source license.

4. Model Number

Display the device number.

5. Android™ version

Display the android™ version.

6. Baseband Version

Display its baseband version.

7. Kernel Version

Display its kernel version.

8. Build Number

Display its version number.

9. Hardware version

Display its hardware version.

Other Google™ App

There are other google™ apps, for example Maps, Youtube, Drive, Play Movies, Photos, Play, Play Store, Duo, Google™ search, etc..

FCC Note

Any Changes or modifications not expressly approved by the party responsible for compliance could void the user's authority to operate the equipment.

This device complies with part 15 of the FCC Rules. Operation is subject to the following two conditions: (1) This device may not cause harmful interference, and (2) this device must accept any interference received, including interference that may cause undesired operation.

SAR tests are conducted using standard operating positions accepted by the FCC with the phone transmitting at its highest certified power level in all tested frequency bands, although the SAR is determined at the highest certified power level, the actual SAR level of the phone while operating can be well below the maximum value. Before a new model phone is available for sale to the public, it must be tested and certified to the FCC that it does not exceed the exposure limit established by the FCC, tests for each phone are performed in positions and locations as required by the FCC. For body worn operation, this model phone has been tested and meets the FCC RF exposure guidelines when used with an accessory designated for this product or when used with an accessory that contains no metal.

Note: This equipment has been tested and found to comply with the limits for a Class B digital device, pursuant to part 15 of the FCC Rules. These limits are designed to provide reasonable protection

against harmful interference in a residential installation. This equipment generates, uses and can radiate radio frequency energy and, if not installed and used in accordance with the instructions, may cause harmful interference to radio communications. However, there is no guarantee that interference will not occur in a particular installation. If this equipment does cause harmful interference to radio or television reception, which can be determined by turning the equipment off and on, the user is encouraged to try to correct the interference by one or more of the following measures:

—Reorient or relocate the receiving antenna.

—Increase the separation between the equipment and receiver.

—Connect the equipment into an outlet on a circuit different from that to which the receiver is connected.

—Consult the dealer or an experienced radio/TV technician for help.

SAR tests are conducted using standard operating positions accepted by the FCC with the phone transmitting at its highest certified power level in all tested frequency bands, although the SAR is determined at the highest certified power level, the actual SAR level of the phone while operating can be well below the maximum value, in general, the closer you are to a wireless base station antenna, the lower the power output.

Before a new model phone is available for sale to the public, it must be tested and certified to the FCC that it does not exceed the exposure limit established by the FCC, Tests for each phone are performed in positions and locations (e.g. at the ear and worn on the body) as required by the FCC.

For body worn operation, this model phone has been tested and meets the FCC RF exposure guidelines when used with an accessory designated for this product or when used with an accessory that

Contains no metal and that positions the handset a minimum of 10 mm from the body.

Non-compliance with the above restrictions may result in violation of RF exposure guidelines.

Safety Warning

General precautions

- Please use your phone in accordance with rules of area. Do not use the phone when driving.
- Do not put the battery, phone or the charger into a microwave oven or high apparatus; Do not put the phone in areas with high temperature, high humidity or with air that contains dust; otherwise the phone may break down.
- Do not use near fuel or chemicals; do not use the phone in areas with a potentially explosive atmosphere; otherwise the phone may break down or cause fire.

- Keep the phone out of child's reach; otherwise the child may use it as a toy and suffer injury.
- Only professional are allowed to assemble and repair the phone. It may be of great danger and against warranty to assemble and repair the phone without permission.

Battery precautions

- Do not dispose your battery or mobile in a fire, otherwise the battery may burst.
- Prevent the battery from humidity otherwise excessive heat, fuming and corrosion may occur.
- If the battery suffers heating up, discoloration or distortion during use, charging or storage, stop using it and change a new one.
- The battery life is limited and will be reduced after long and frequent charging. If it doesn't work after several cycles of charging, it indicates the end of its life.
- Always use the battery and battery charger authorized by the manufacturer. Such products of other brands may cause leakage, excessive heat, bursting and fire.
- Do not dispose off the battery with domestic garbage, instead you should dispose off it in line with the regulations.

Caution

- The manufacturer reserves the right for the changes in the technical standards without advanced notice.
- The manufacturer reserves the right for the changes in this manual without further notice.
- The manufacturer reserves the right for the changes in the technical specification without advanced notice.
- The manufacturer reserves the ultimate right for the interpretation of this manual.

Android, Google, Google Play and other marks are trademarks of Google Inc.

Emergency call

If any emergency arises, dial 112/911 (or other emergency call number) for emergency help.

Due to the nature of cellular networking, the success of emergency call is not guaranteed.

FCC Warning:

This device complies with part 15 of the FCC Rules. Operation is subject to the following two conditions: (1) This device may not cause harmful interference, and (2) this device must accept any interference received, including interference that may cause undesired operation.

Any Changes or modifications not expressly approved by the party responsible for compliance could void the user's authority to operate the equipment.

This equipment has been tested and found to comply with the limits for a Class B digital device, pursuant to part 15 of the FCC Rules. These limits are designed to provide reasonable protection against harmful interference in a residential installation. This equipment generates uses and can radiate radio frequency energy and, if not installed and used in accordance with the instructions, may cause harmful interference to radio communications. However, there is no guarantee that interference will not occur in a particular installation. If this equipment does cause harmful interference to radio or television reception, which can be determined by turning the equipment off and on, the user is encouraged to try to correct the interference by one or more of the following measures:

- Reorient or relocate the receiving antenna.
- Increase the separation between the equipment and receiver.
- Connect the equipment into an outlet on a circuit different from that to which the receiver is connected.
- Consult the dealer or an experienced radio/TV technician for help.

The SAR limit of USA (FCC) is 1.6 W/kg averaged over one gram of tissue.

Device types U450 (FCC ID: N2GU450) has also been tested against this SAR limit. The highest reported SAR values for head, body-worn accessory, and product specific (Hotspot) are 0.64 W/kg, 0.68 W/kg, and 0.72 W/kg respectively. The Max simultaneous SAR is 0.85W/kg. This device was tested for typical body-worn operations with the back of the handset kept 10mm from the body. To maintain compliance with FCC RF exposure requirements, use accessories that maintain a 10mm separation distance between the user's body and the back of the handset. The use of belt clips, holsters and similar accessories should not contain metallic components in its assembly. The use of accessories that do not satisfy these requirements may not comply with FCC RF exposure requirements, and should be avoided.