

味搭 CaDA

Designed in California

# TECHNIC

Building Blocks  
Remote-controlled Running Function



Double E



Age

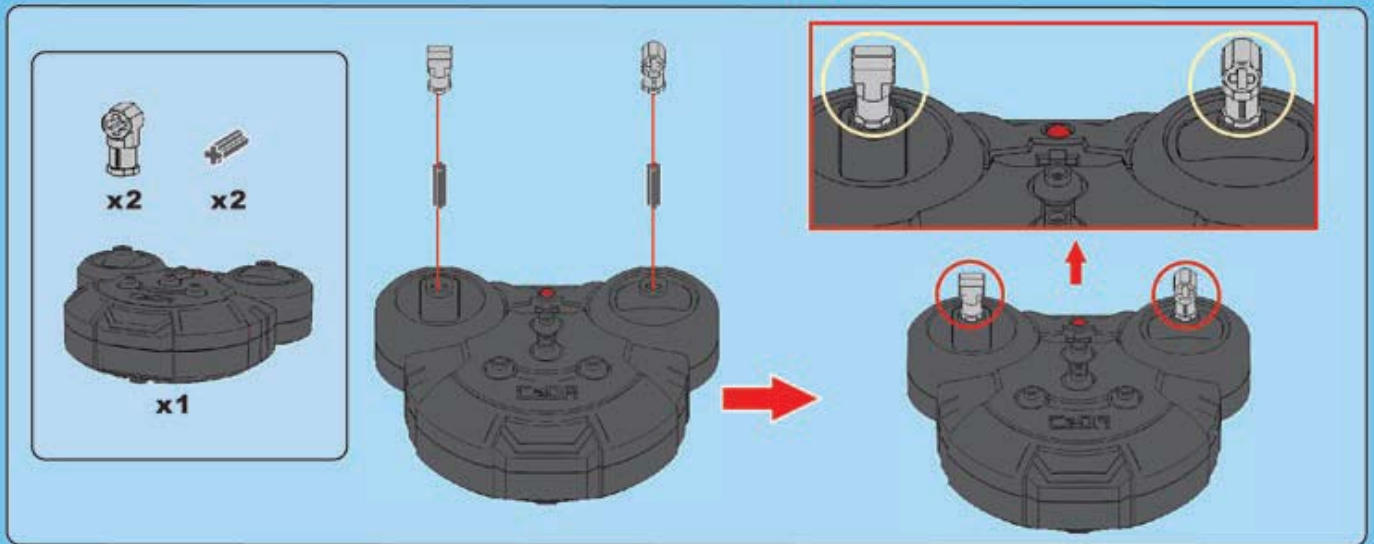
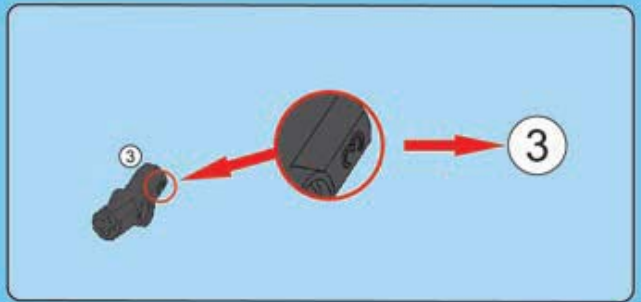
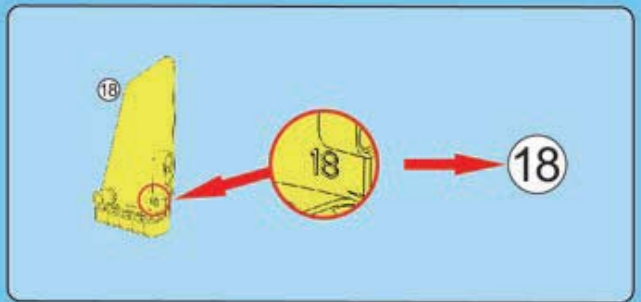
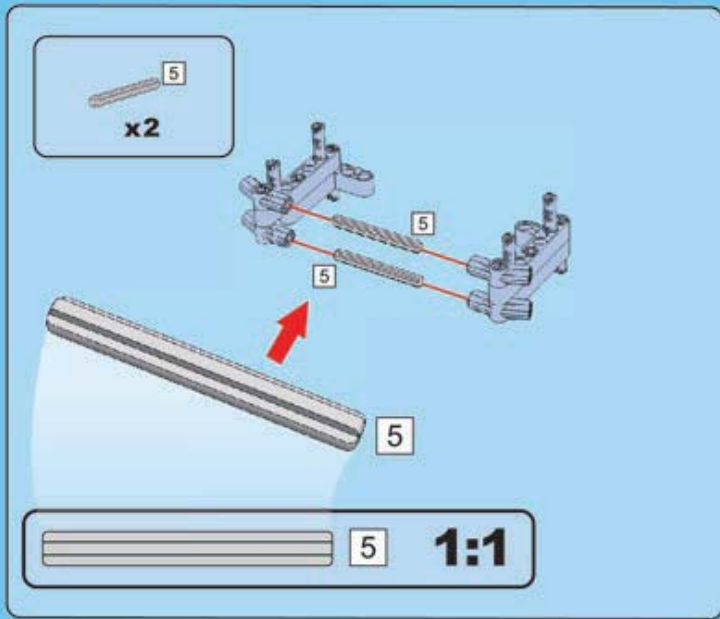
6+

C51001

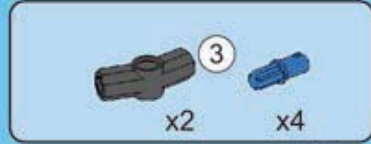
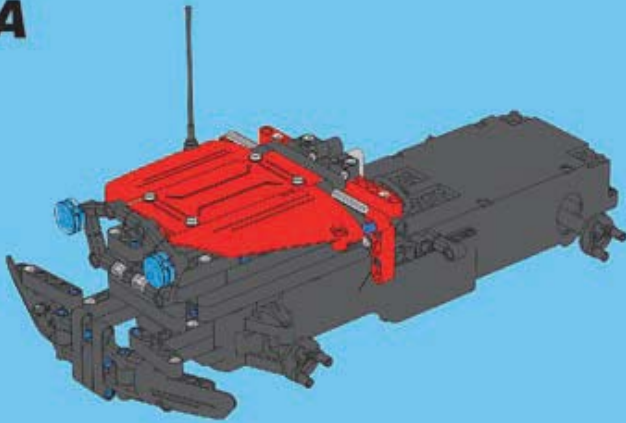
Off-road  
Warrior

RC  
RADIO CONTROL

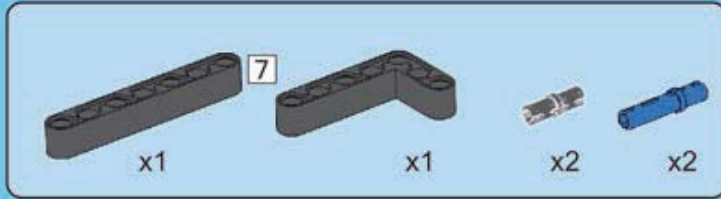
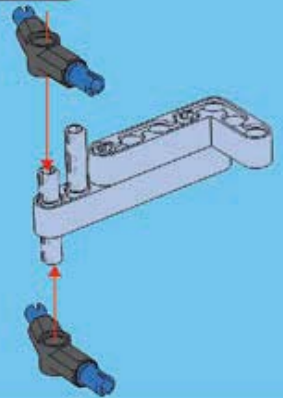
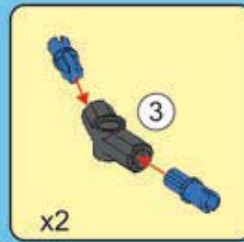




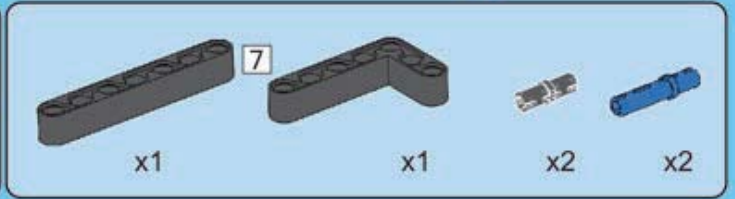
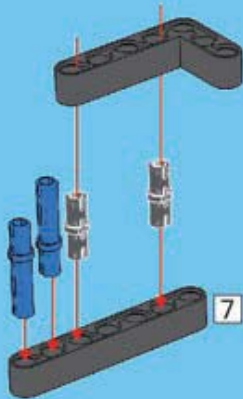
**A**



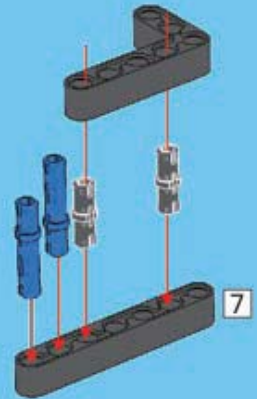
**A2**

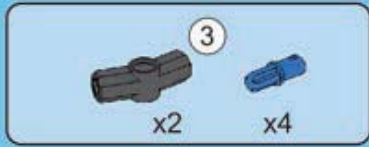


**A1**

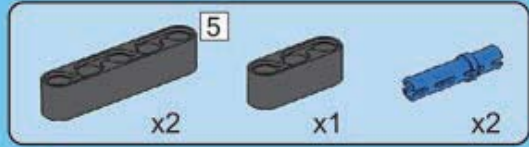
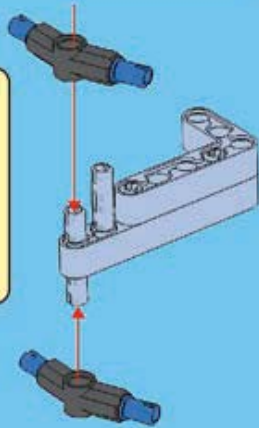
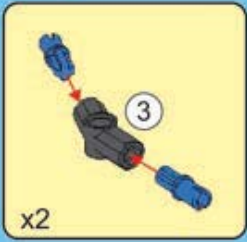


**A3**

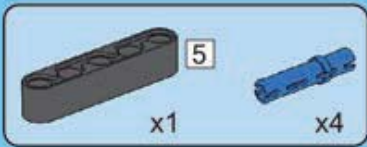
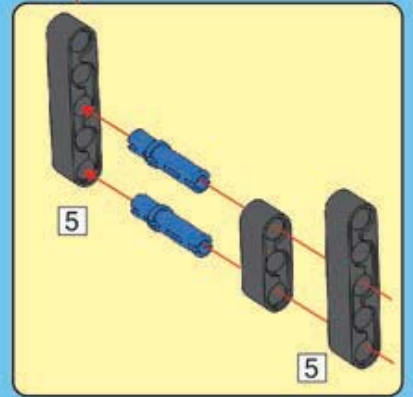
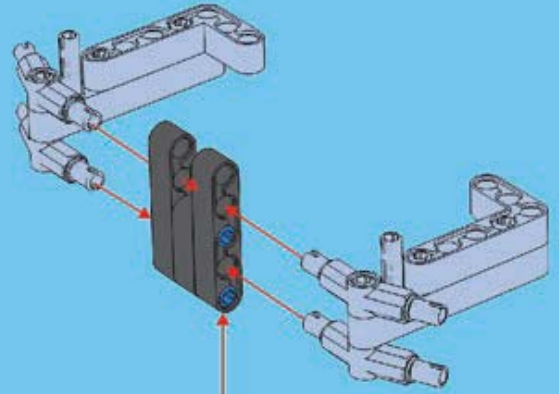




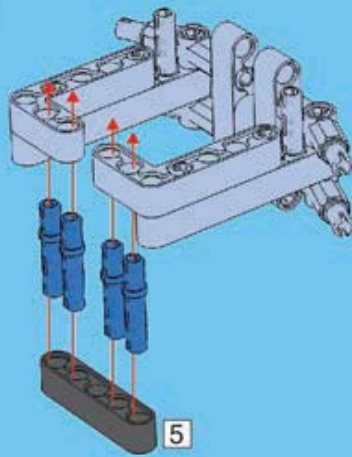
**A4**

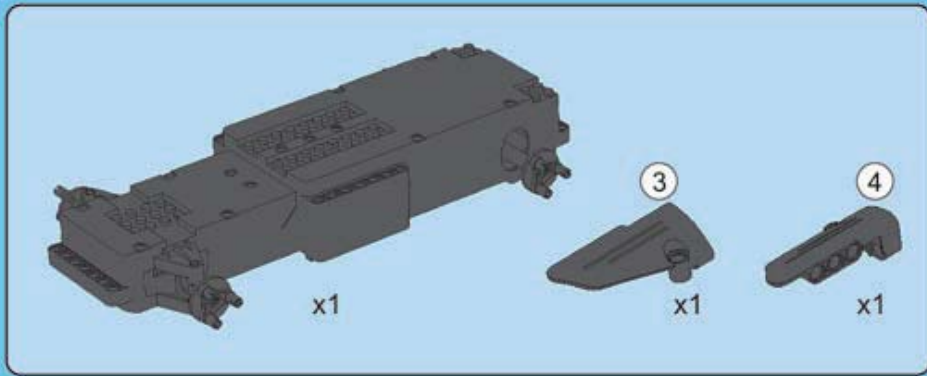


**A5**

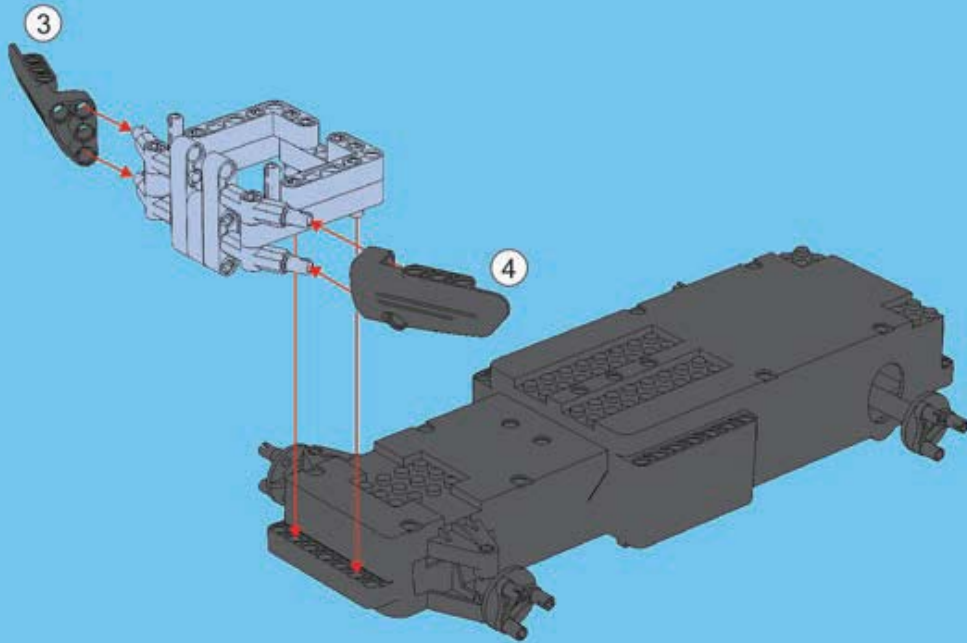


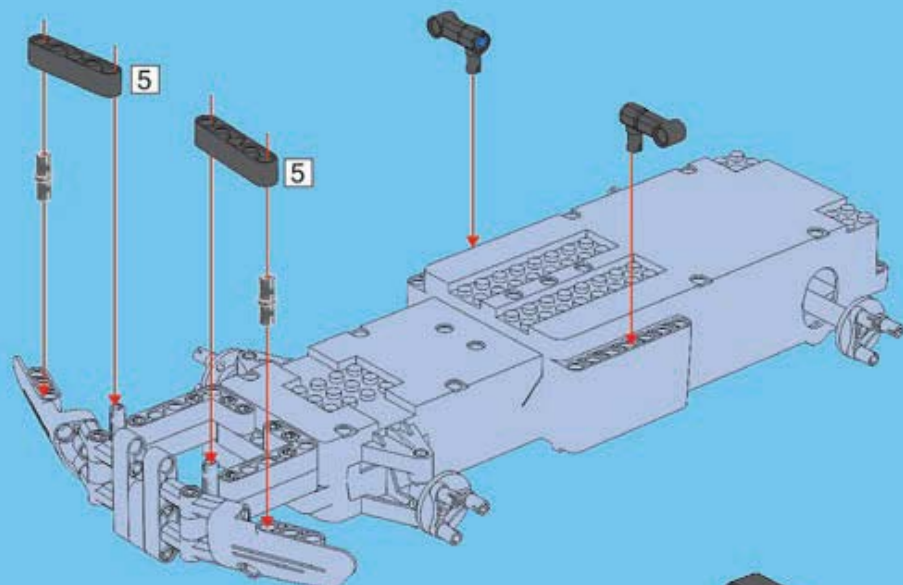
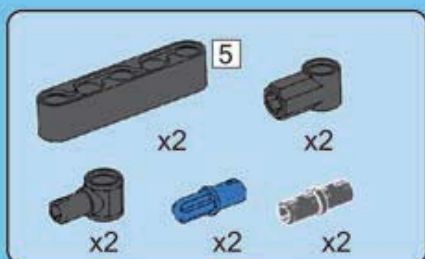
**A6**



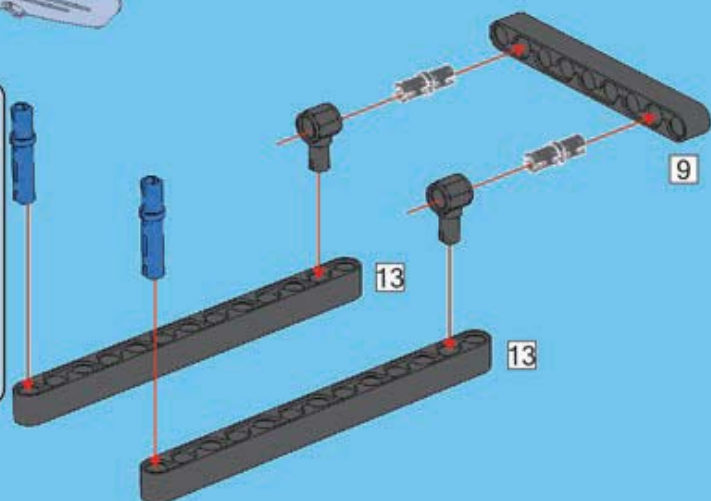
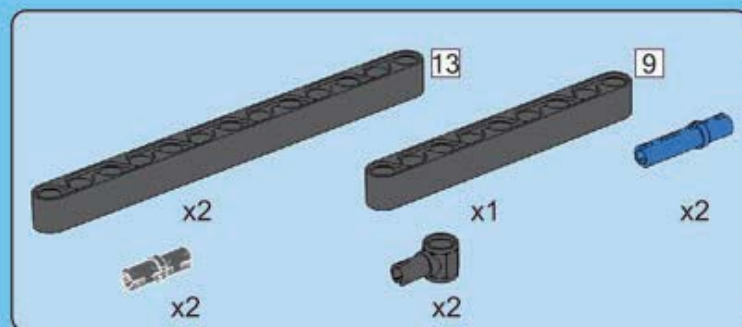
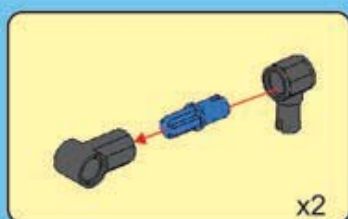


**A7**

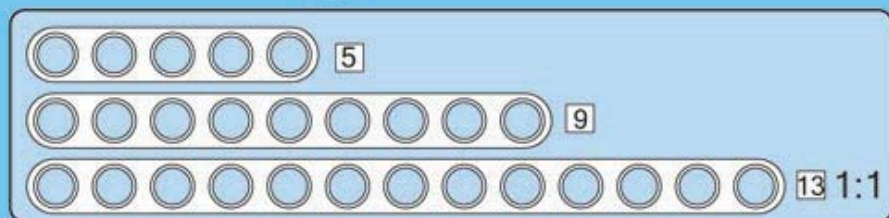


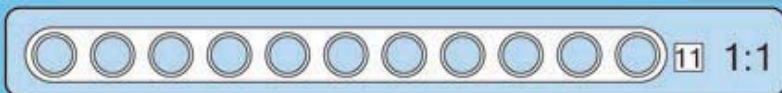
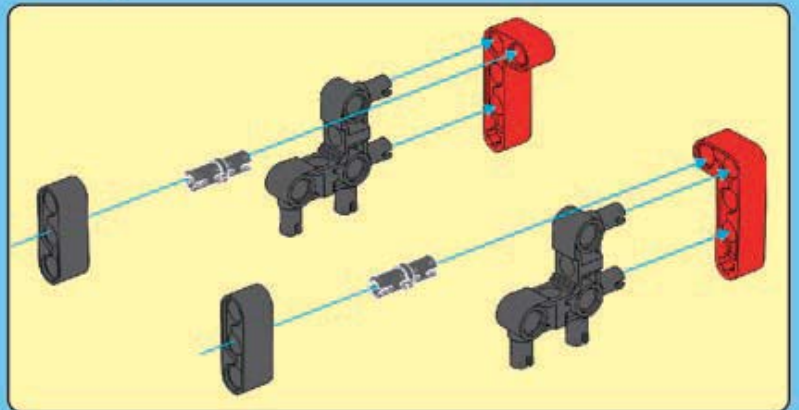
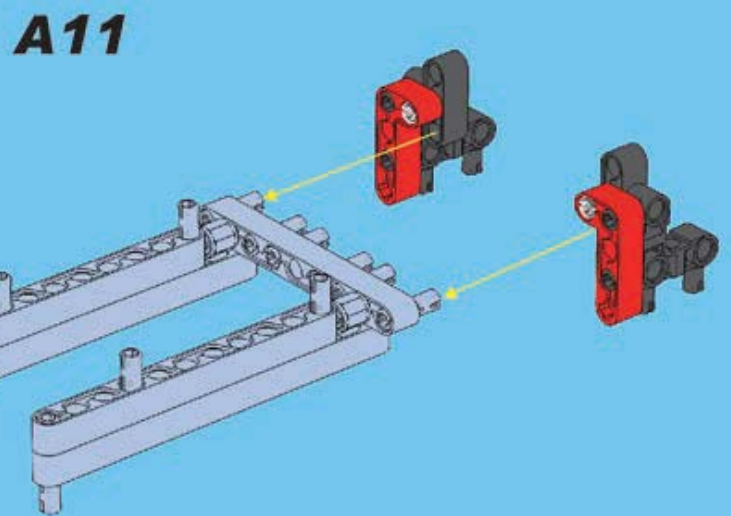
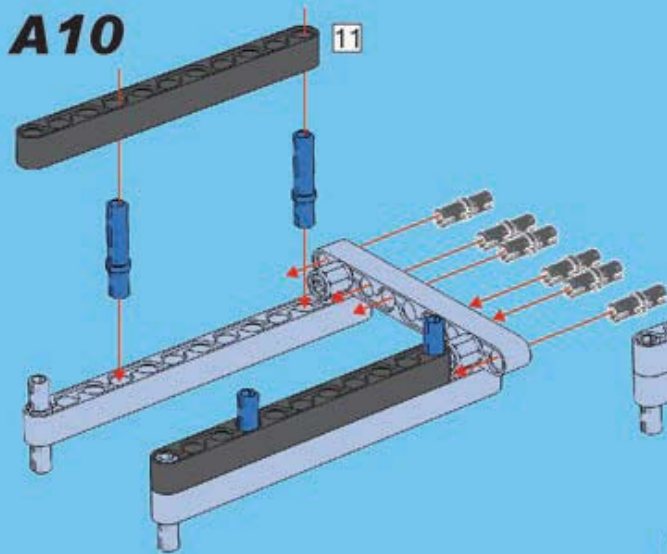
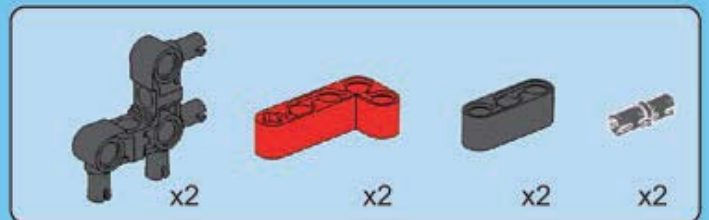
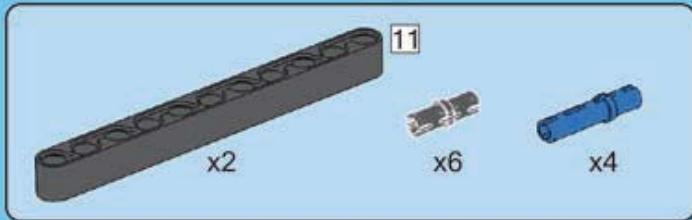


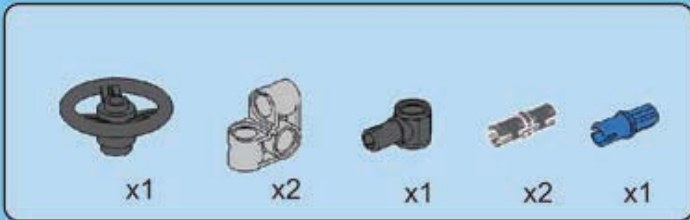
**A8**



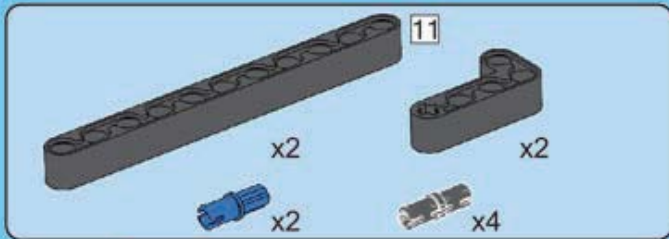
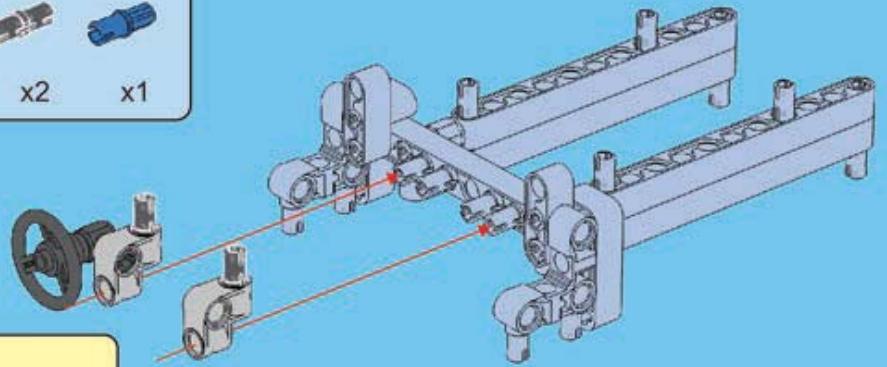
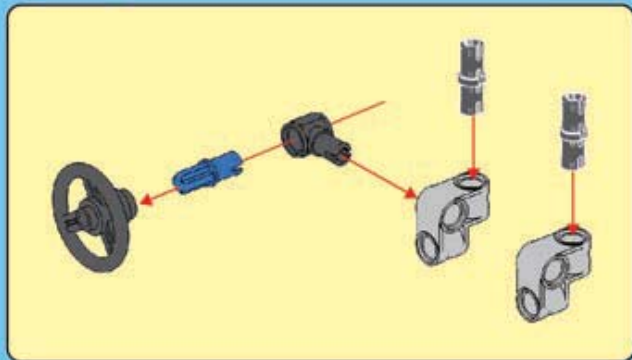
**A9**



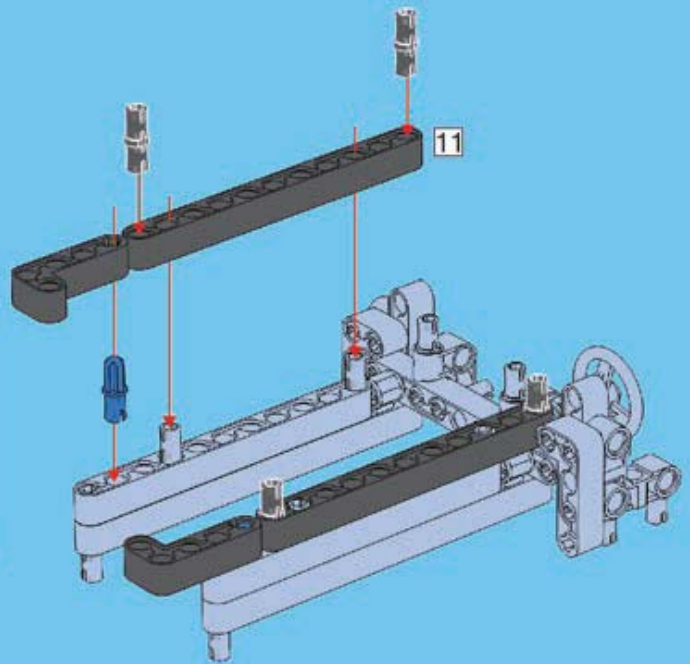




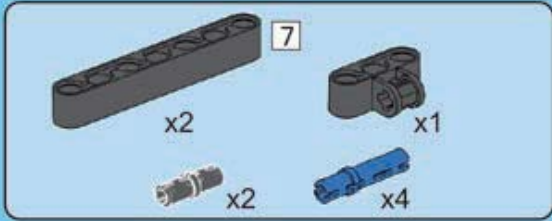
# A12



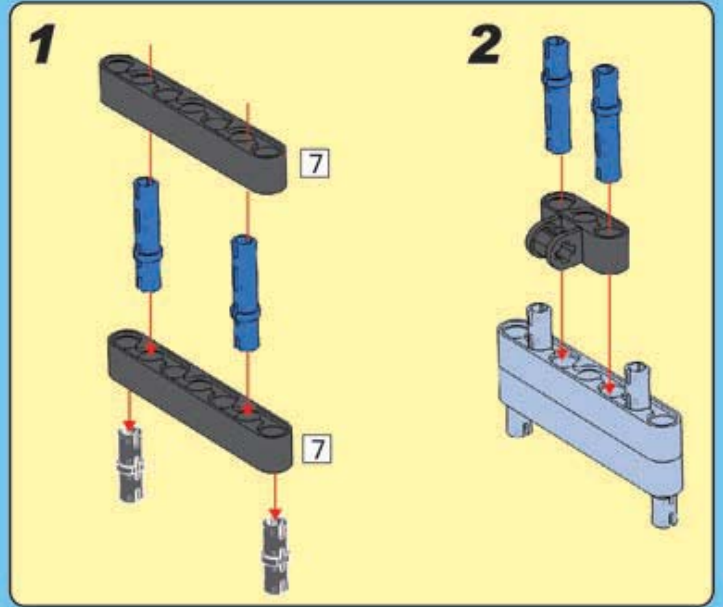
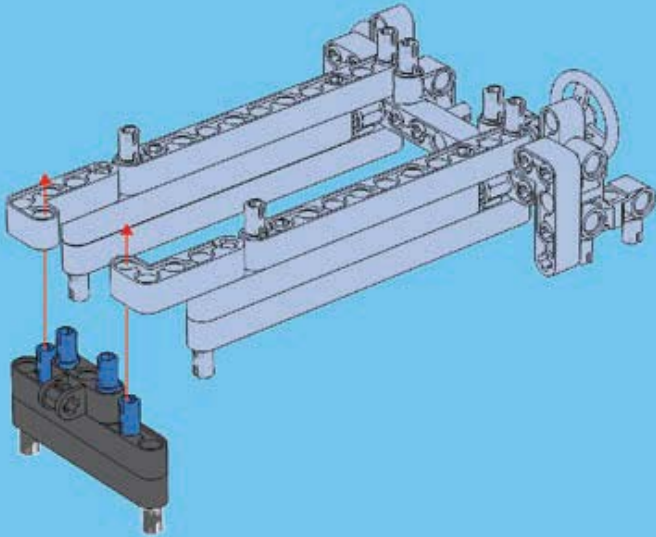
# A13

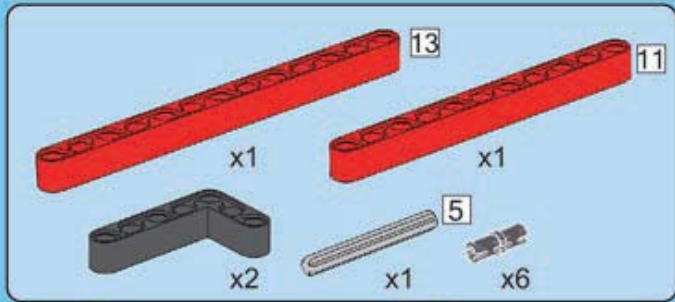




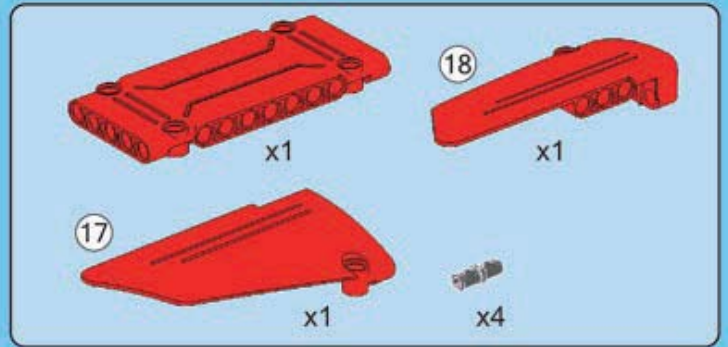


# A14

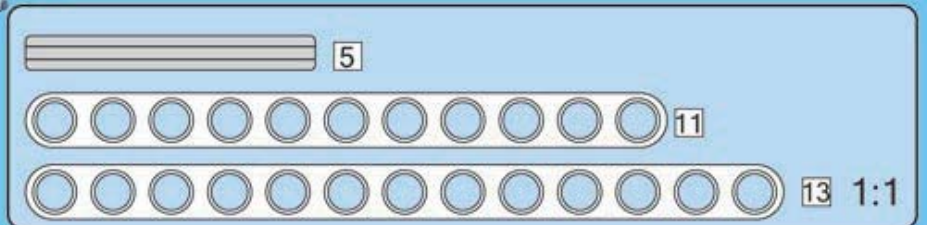
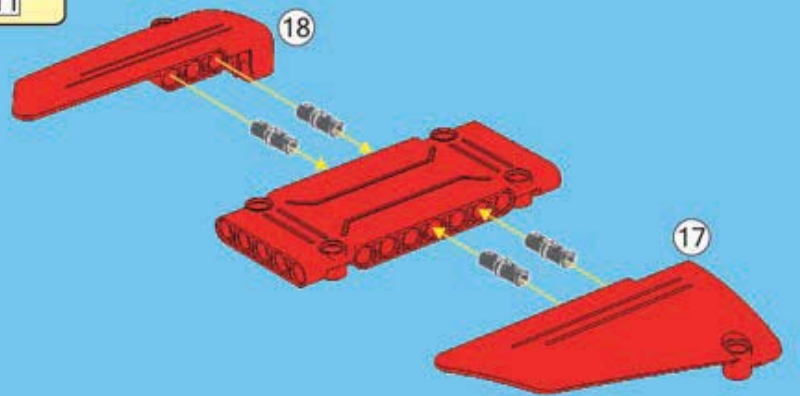
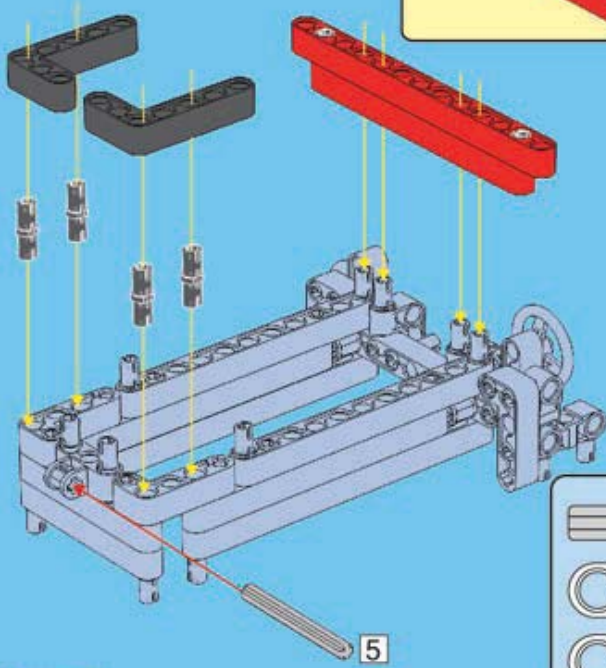
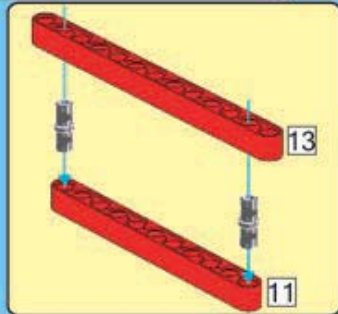


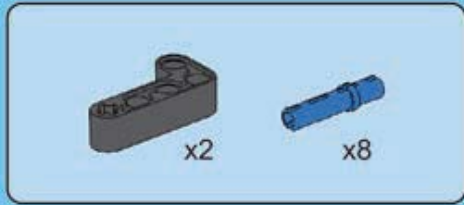


**A15**

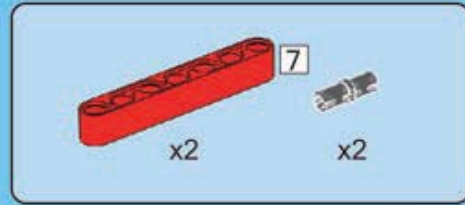
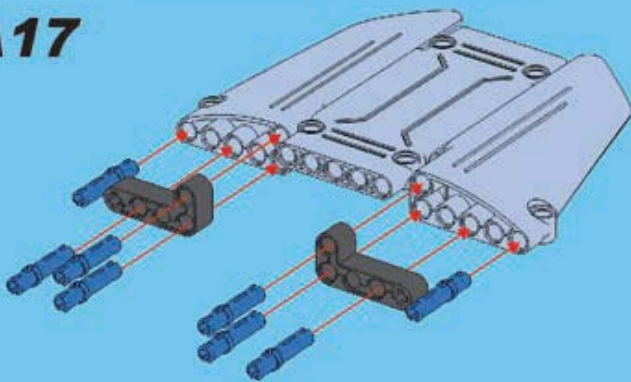


**A16**

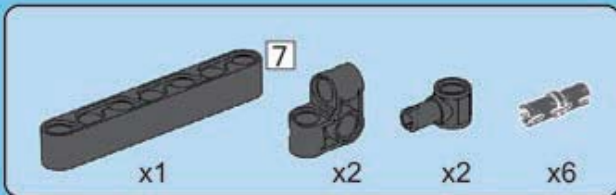
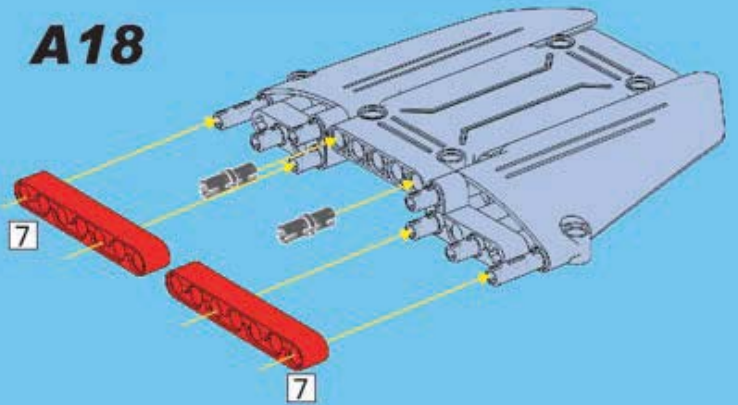




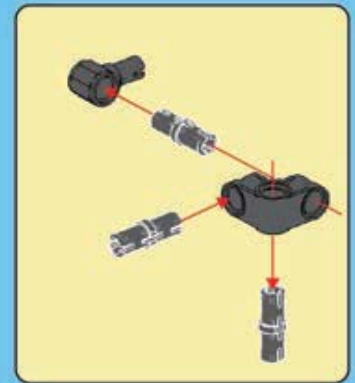
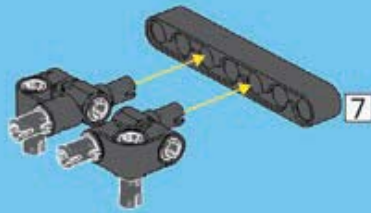
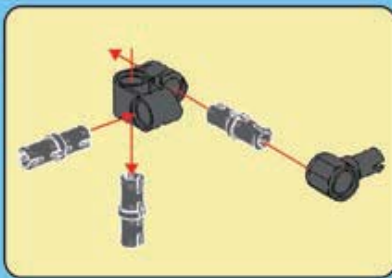
**A17**



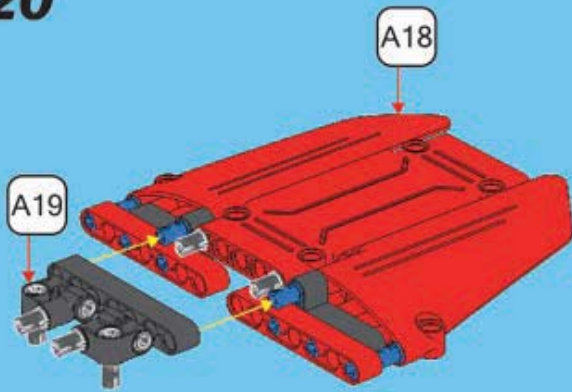
**A18**



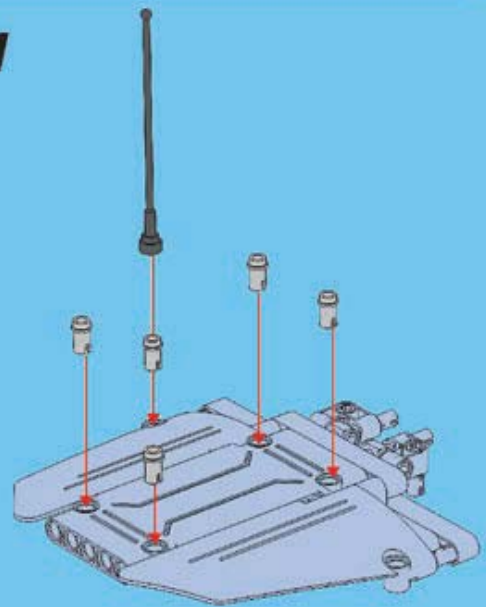
**A19**



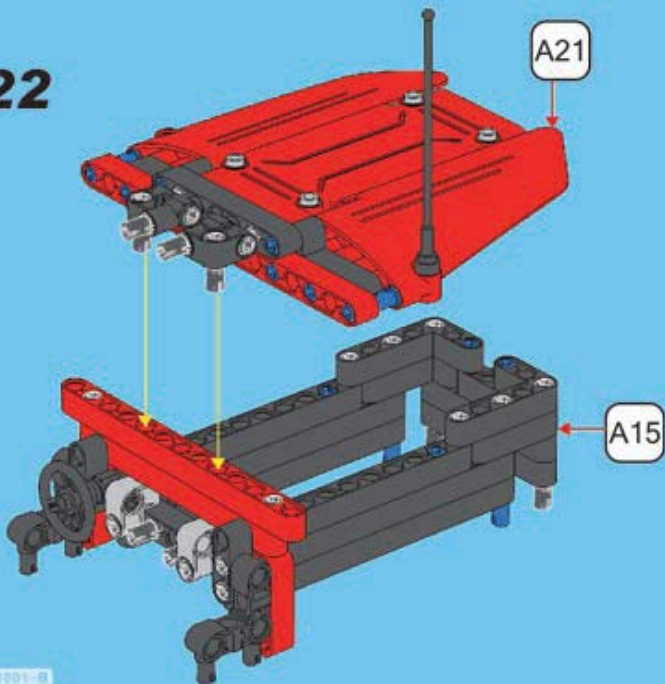
**A20**

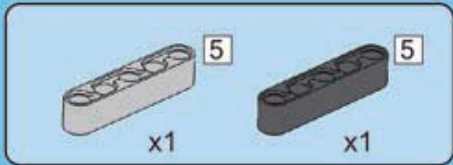


**A21**

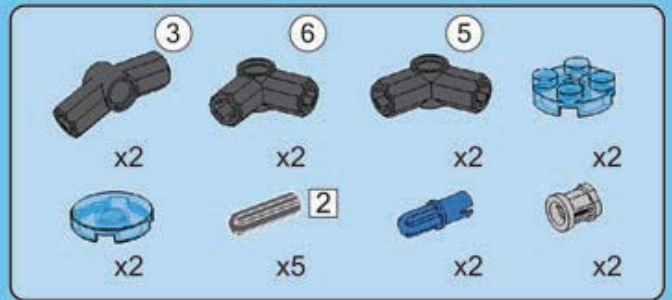
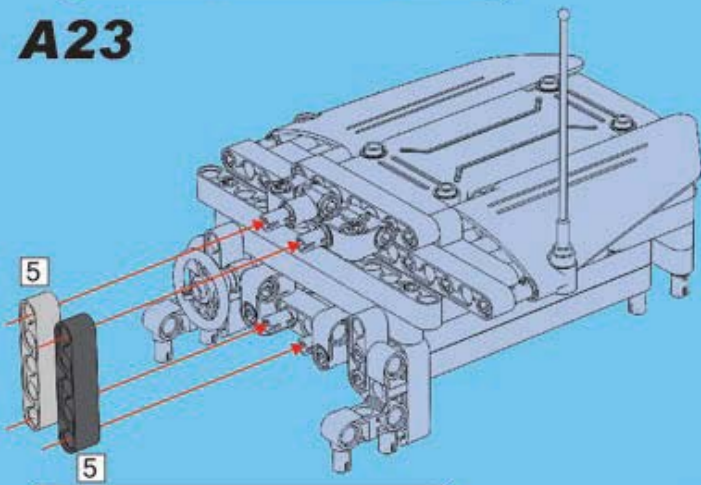


**A22**

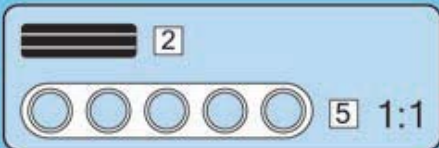
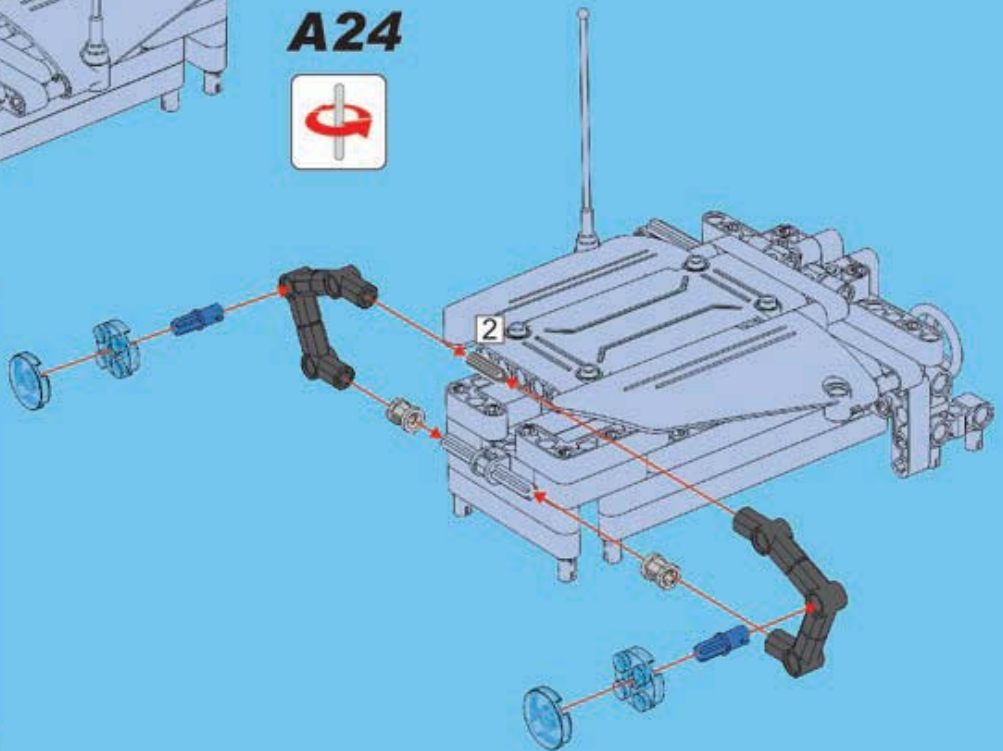
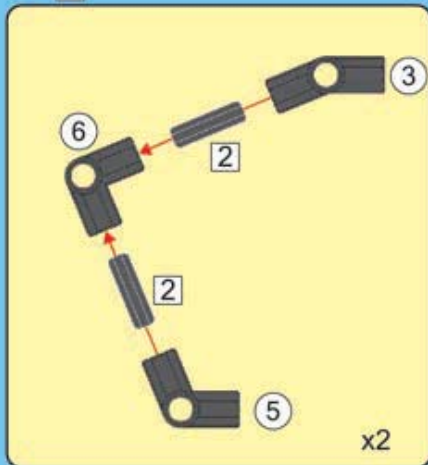




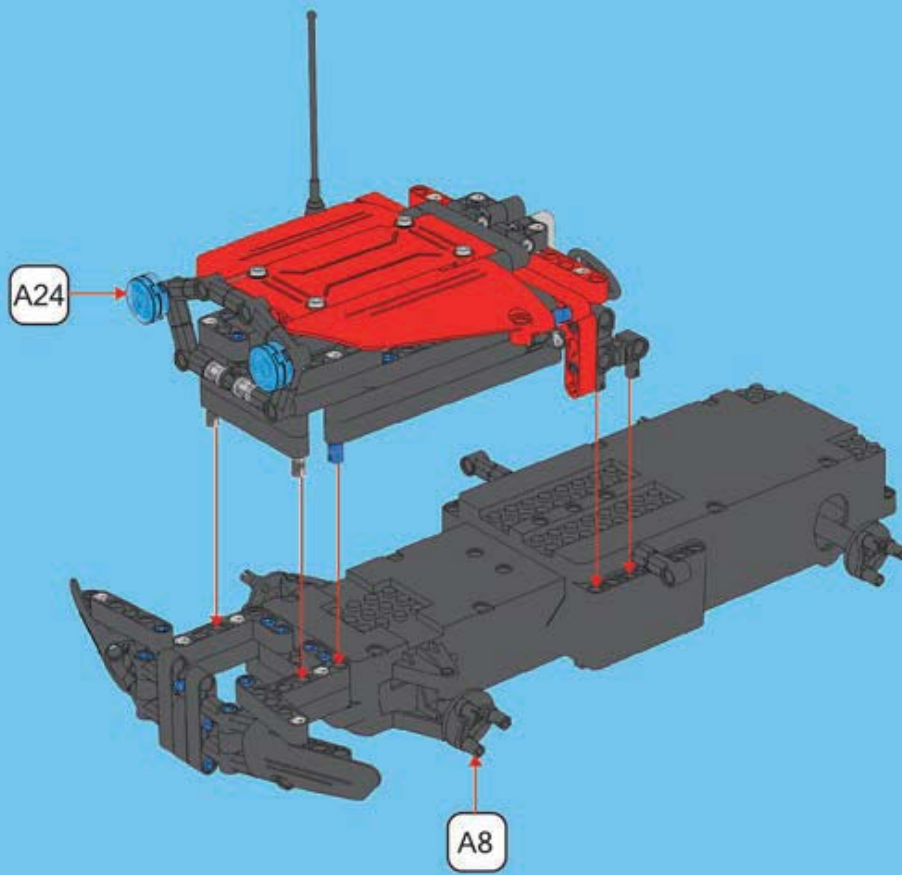
### A23



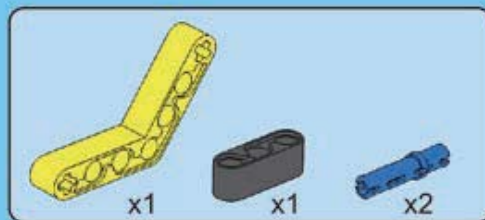
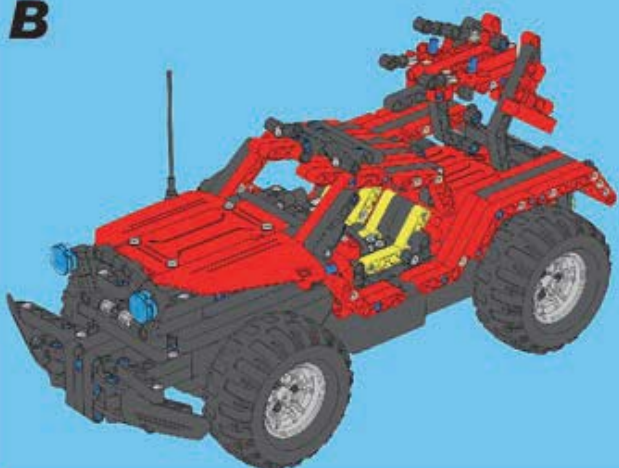
### A24



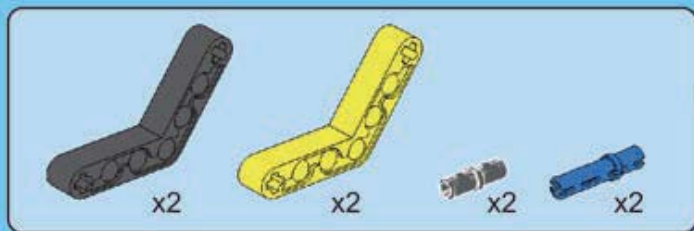
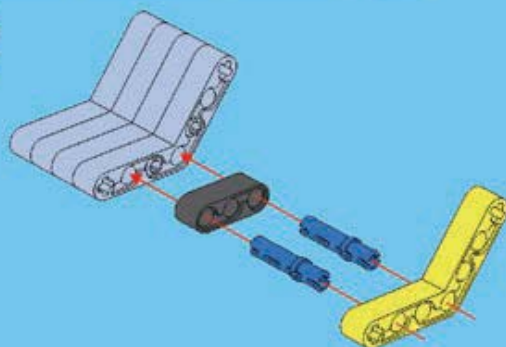
# A25



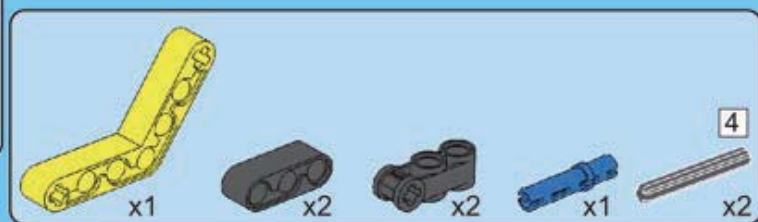
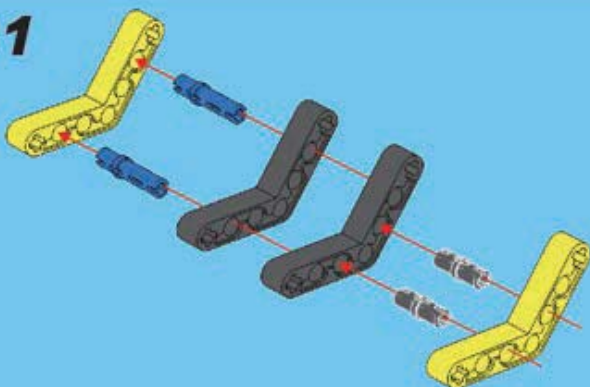
**B**



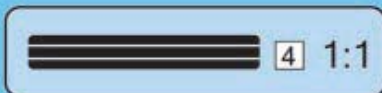
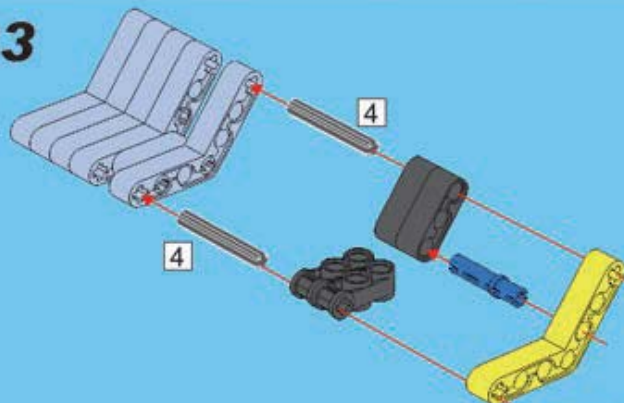
**B2**

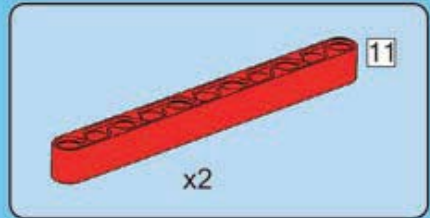
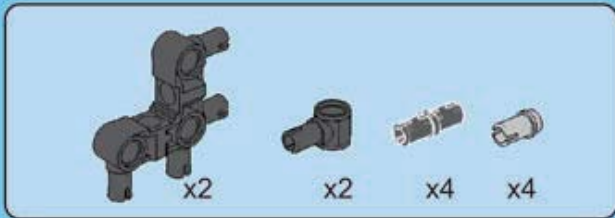


**B1**

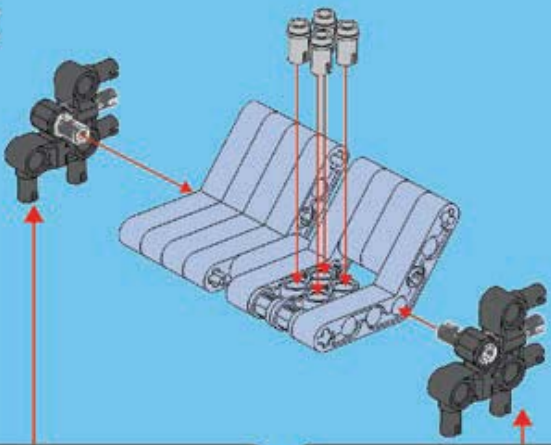


**B3**

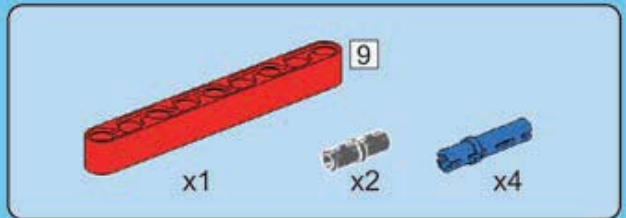
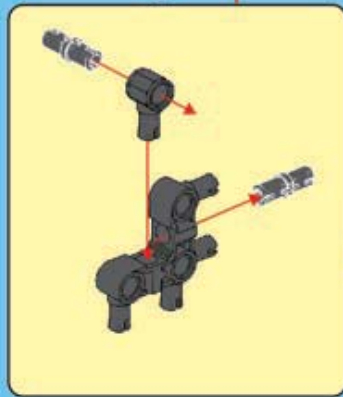
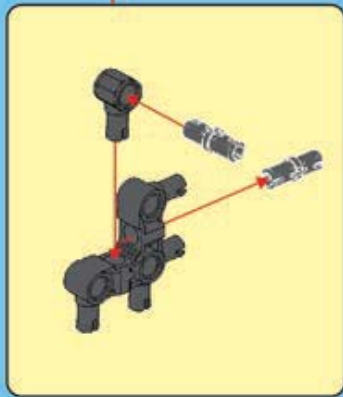
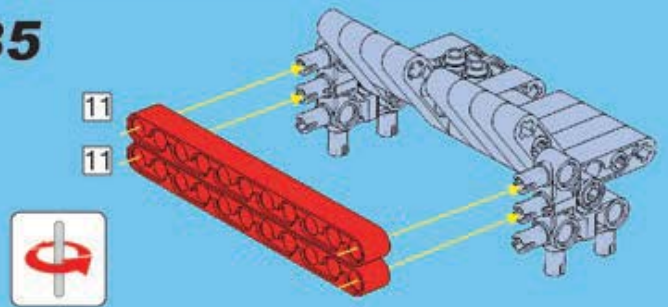




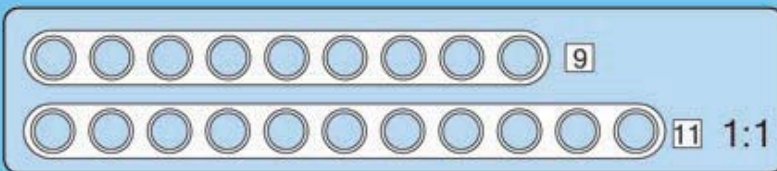
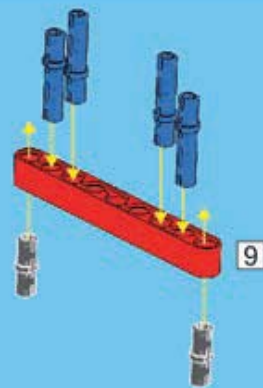
**B4**



**B5**



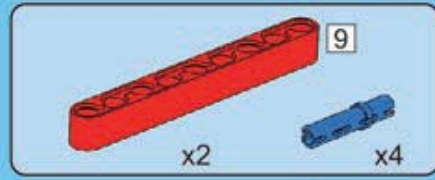
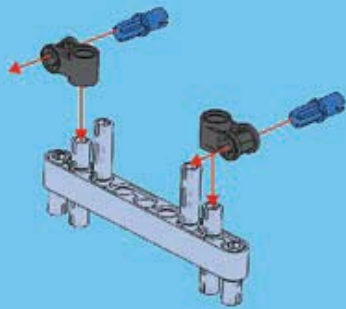
**B6**



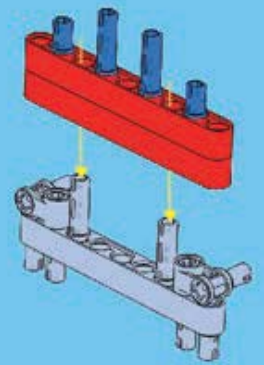
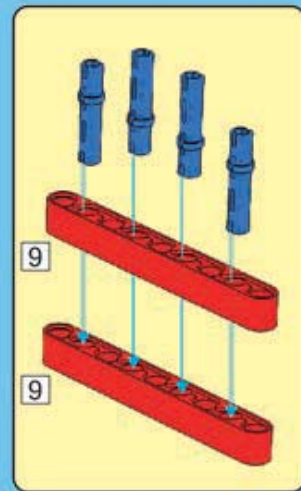




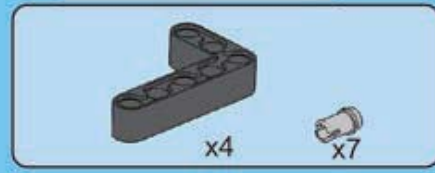
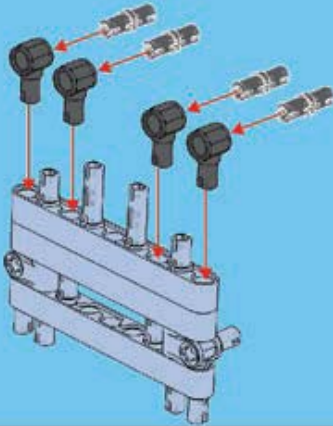
**B7**



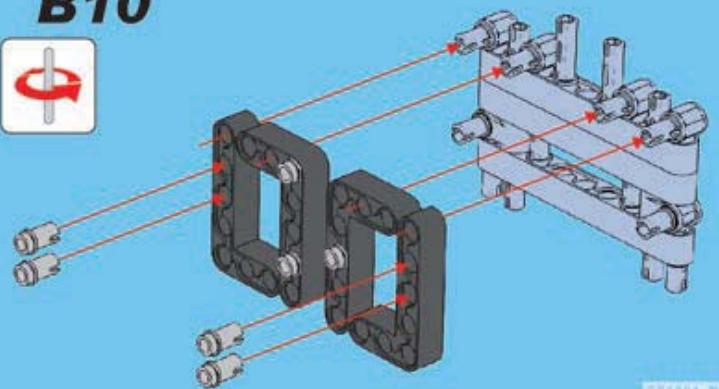
**B8**

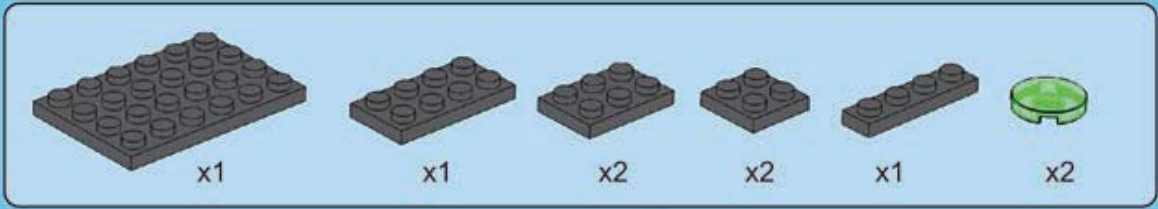


**B9**

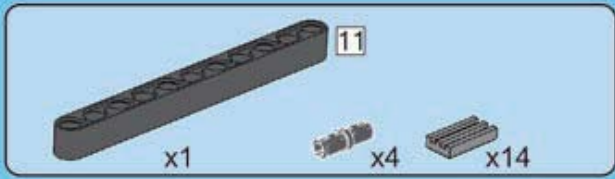
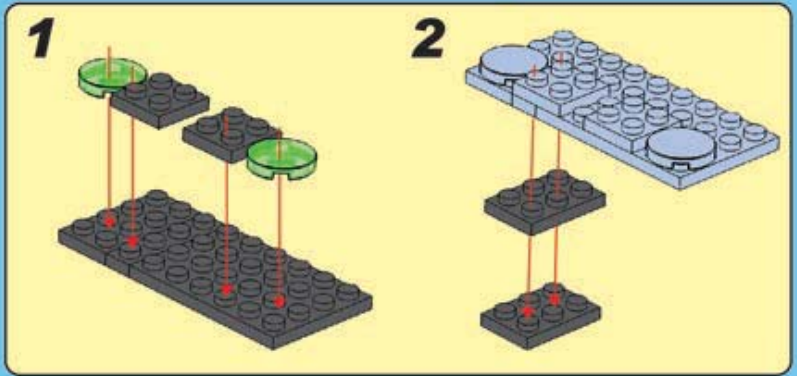
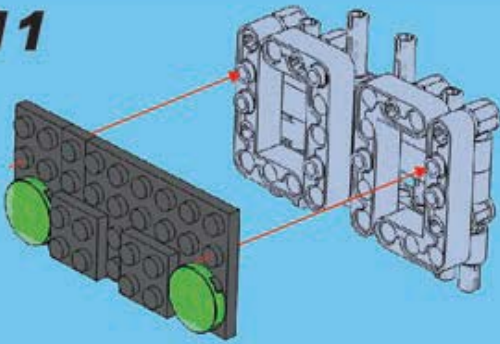


**B10**

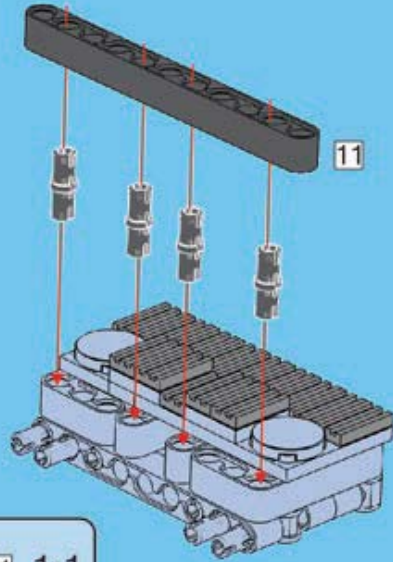


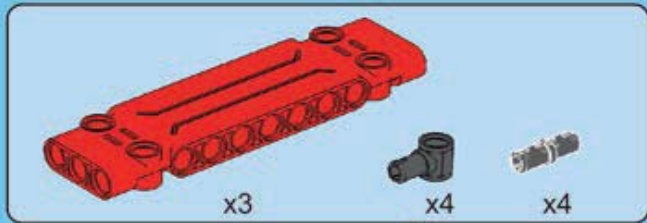


**B11**

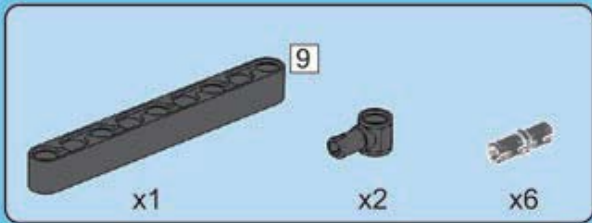
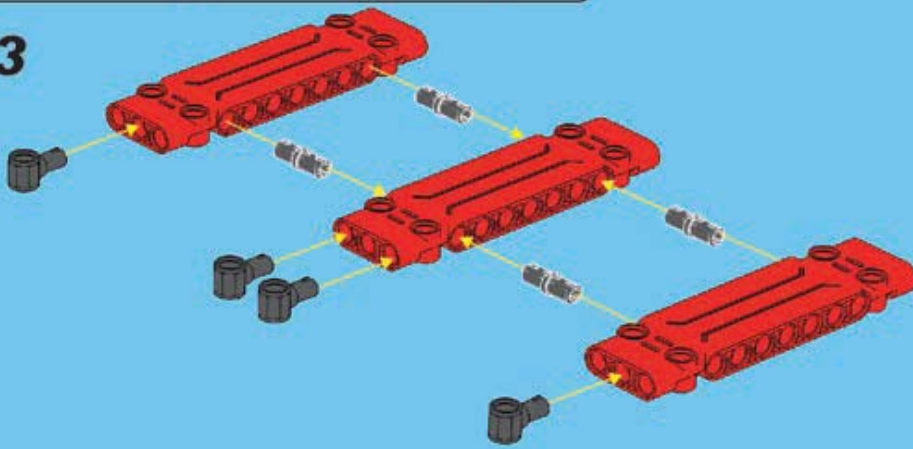


**B12**

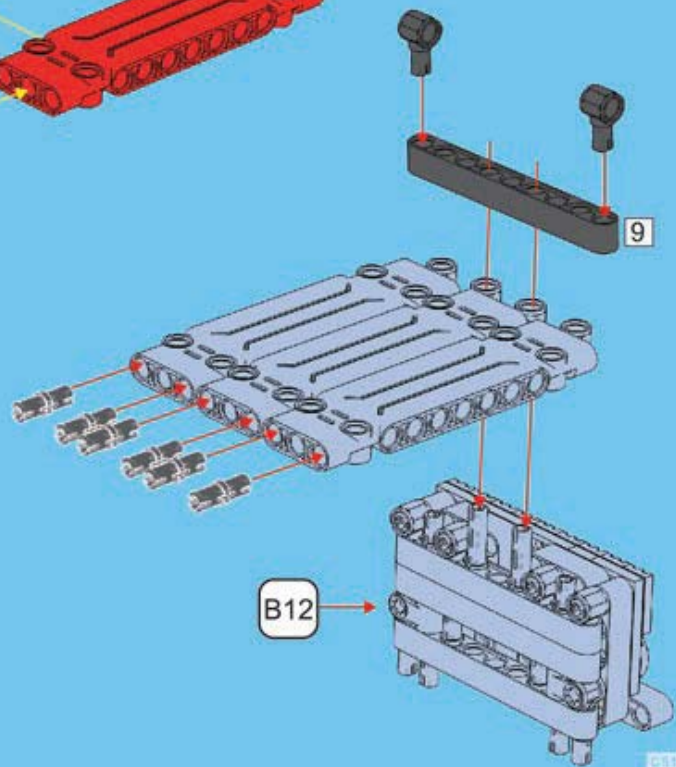




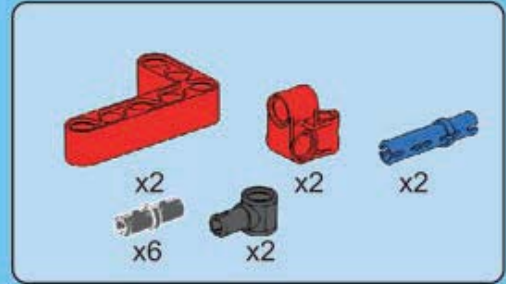
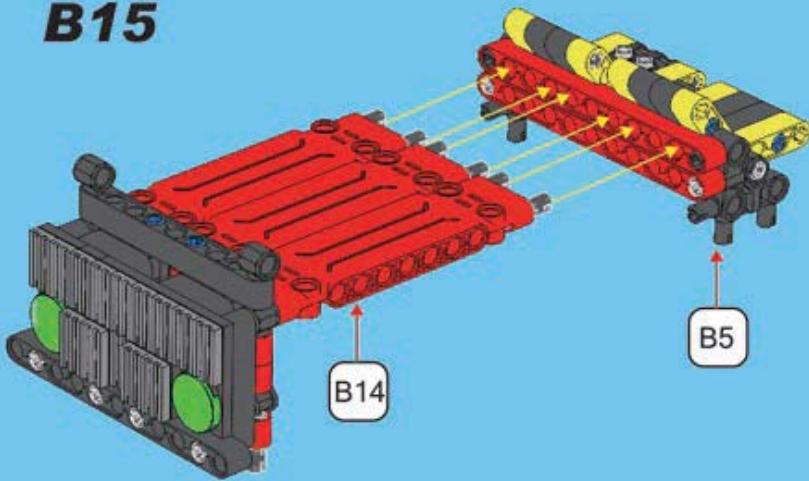
### B13



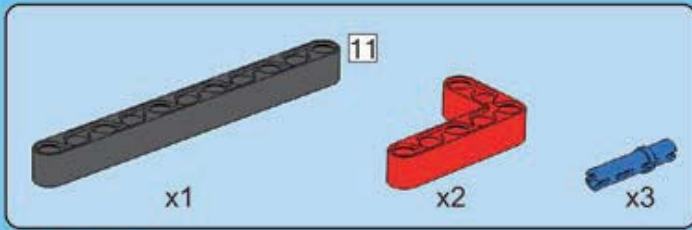
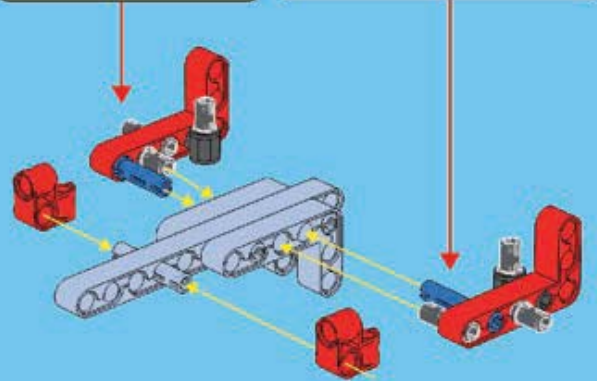
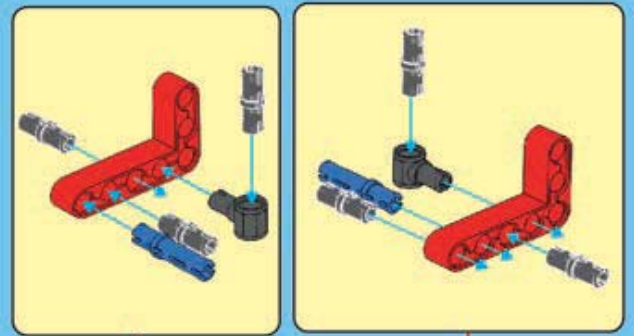
### B14



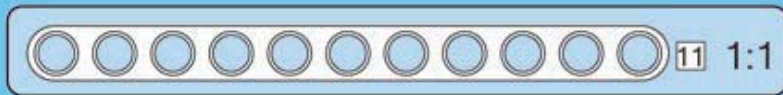
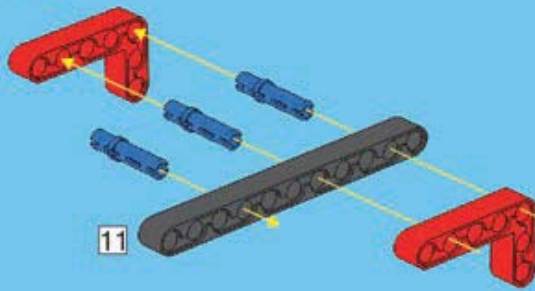
# B15

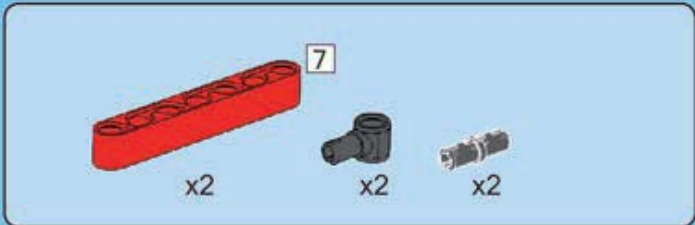


# B17

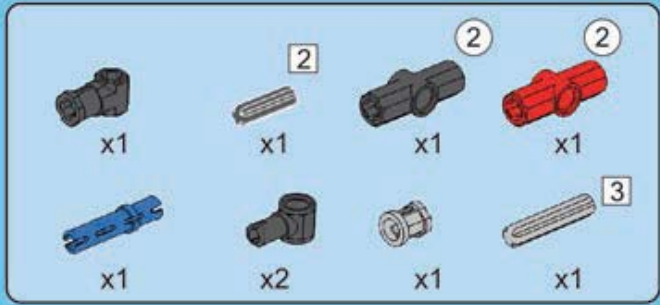
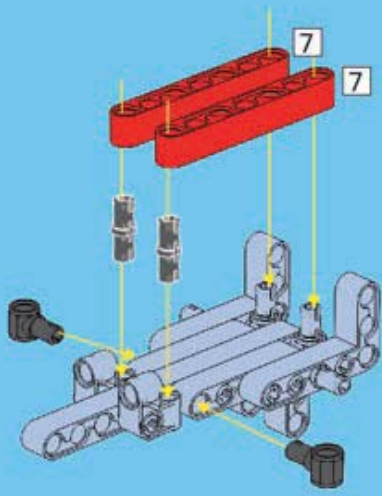


# B16

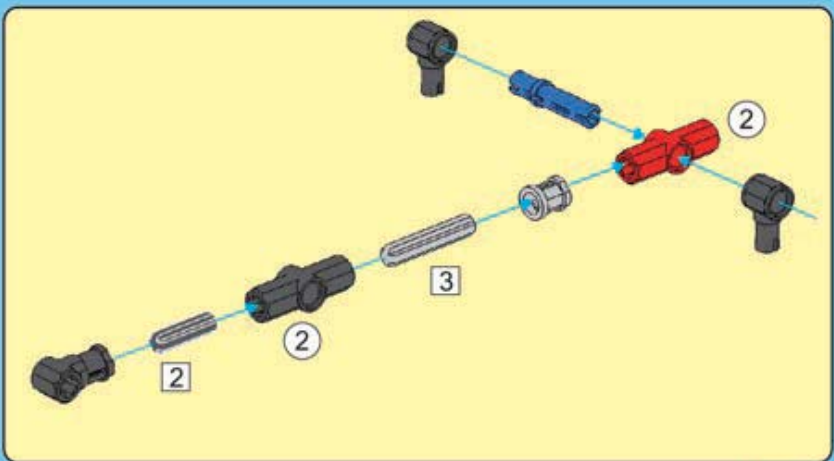
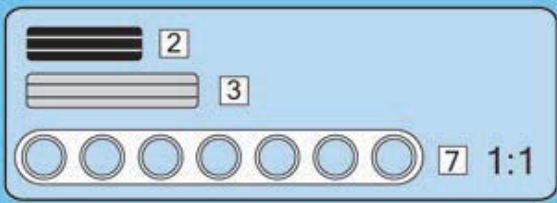
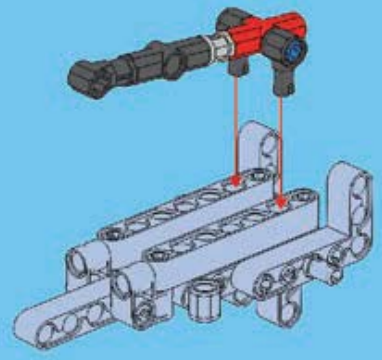


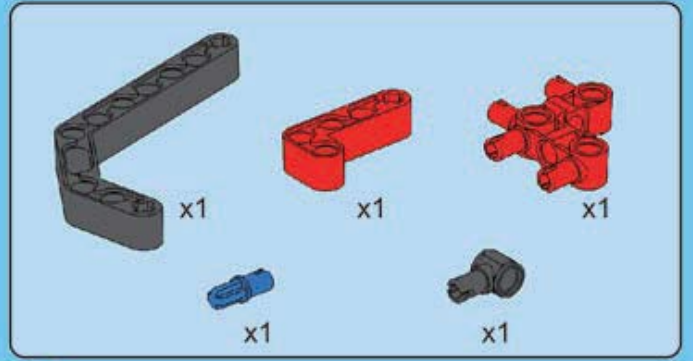
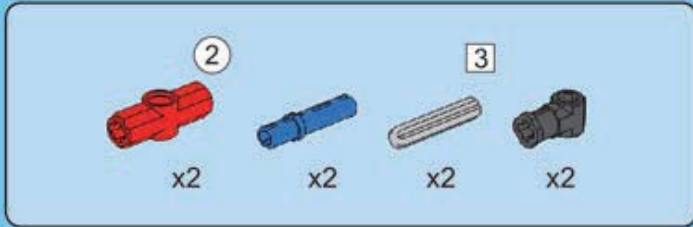


**B18**

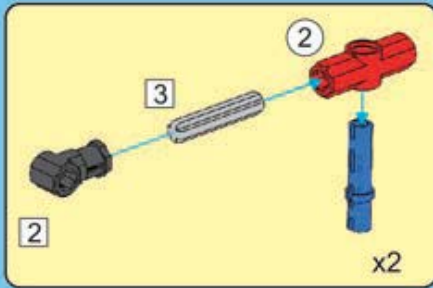


**B19**

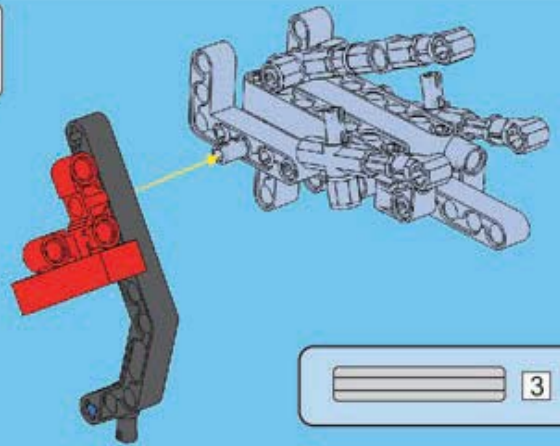
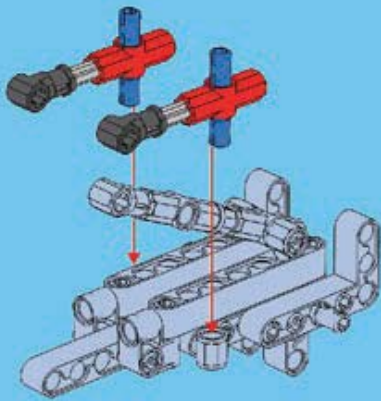
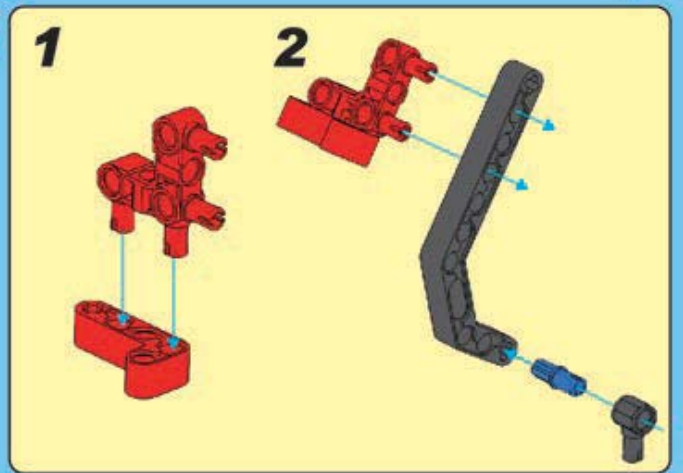


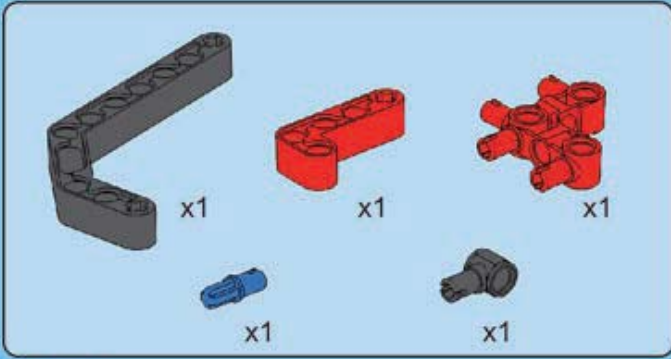


**B20**

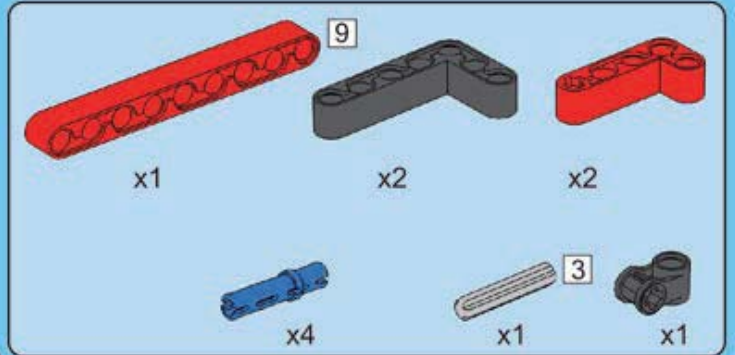
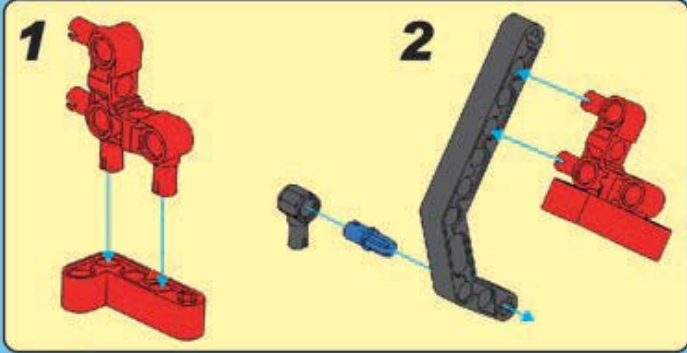


**B21**

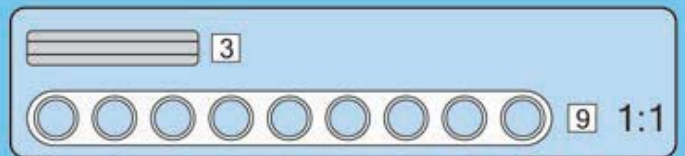
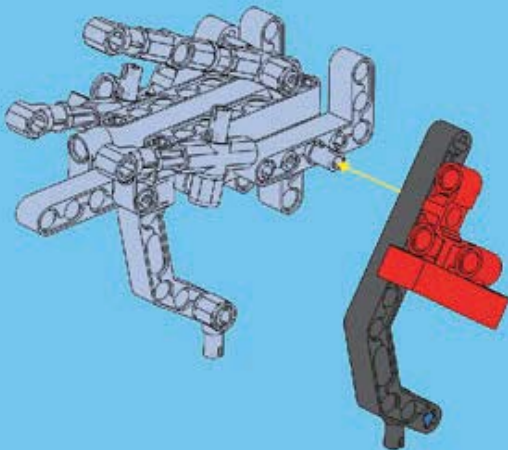
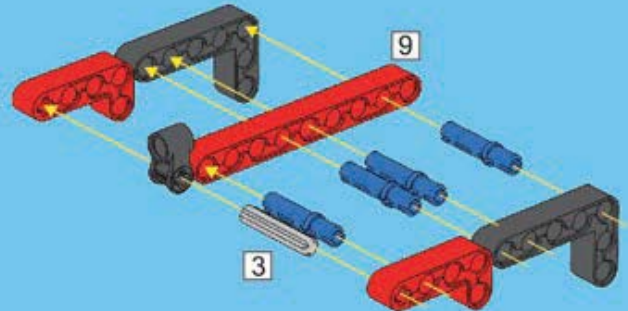


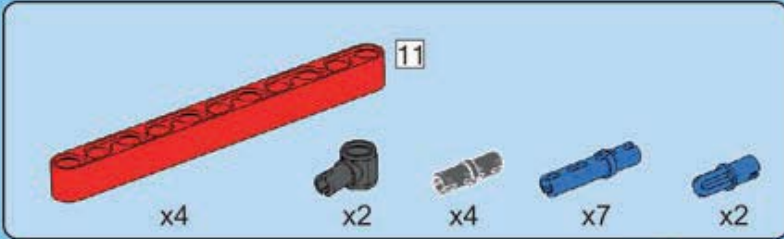


**B22**

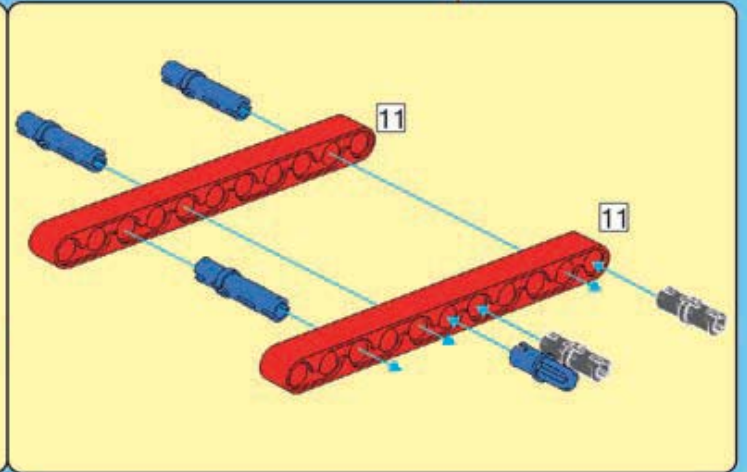
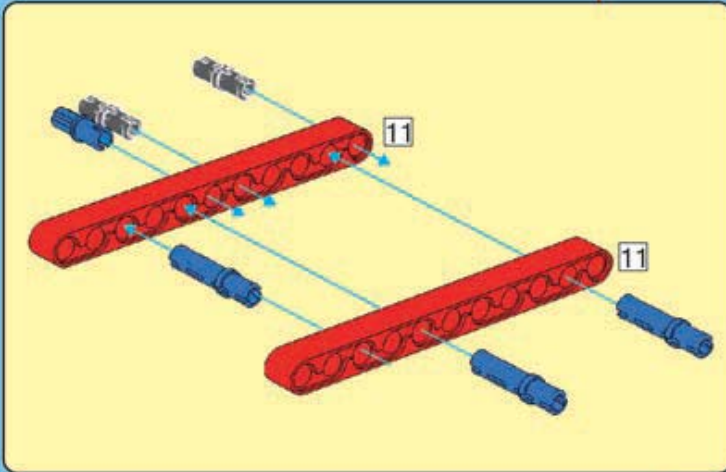
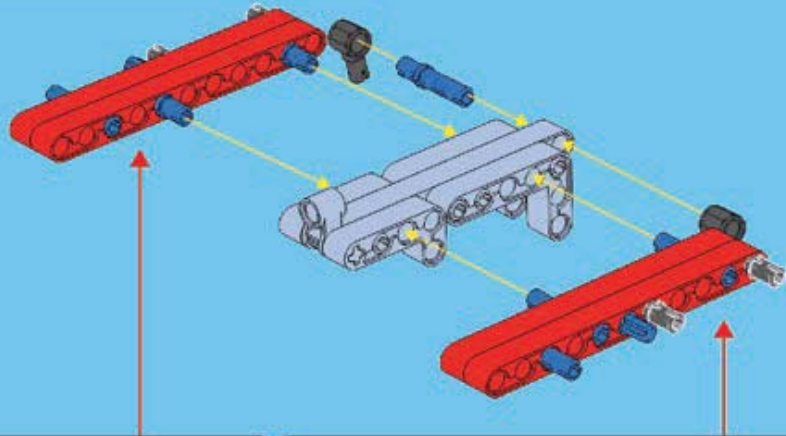


**B23**

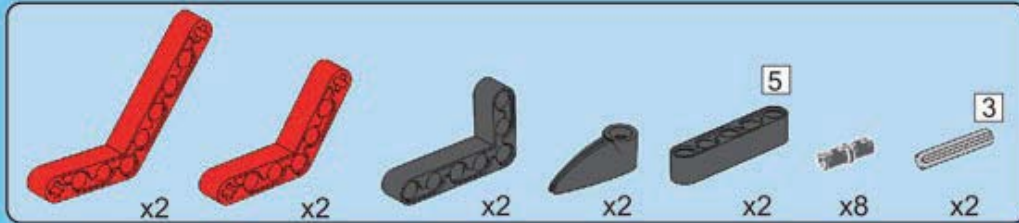




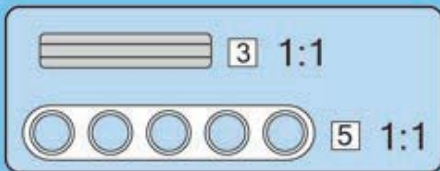
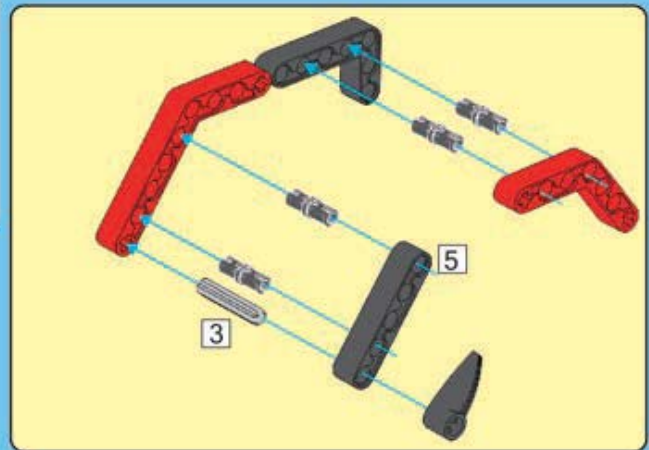
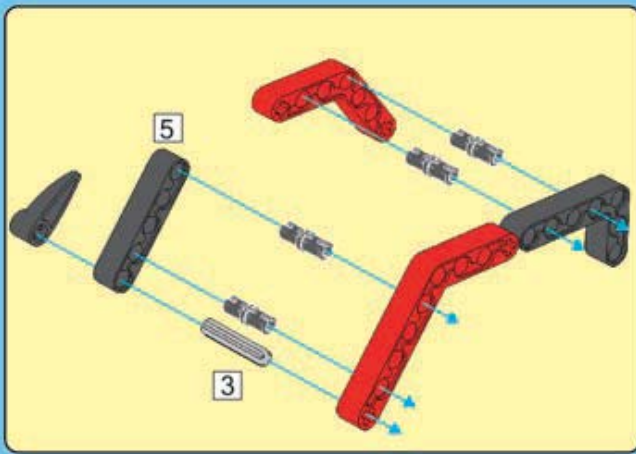
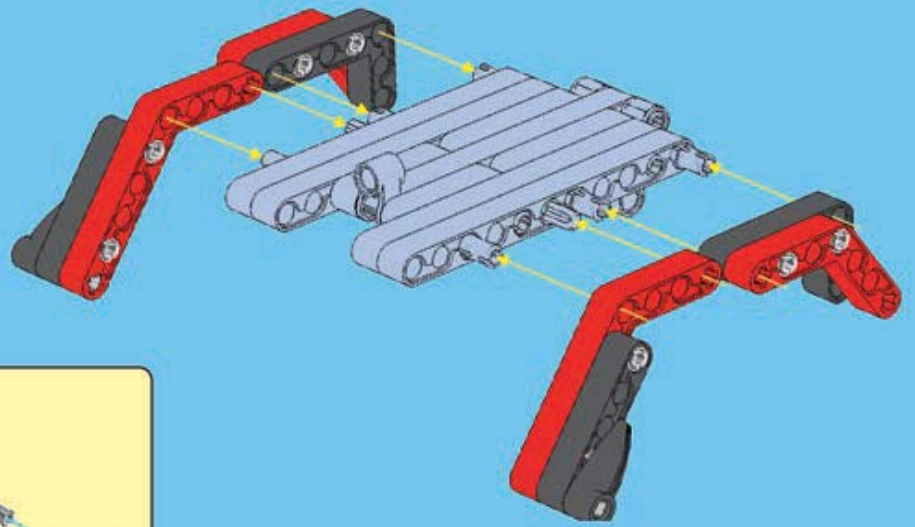
# B24

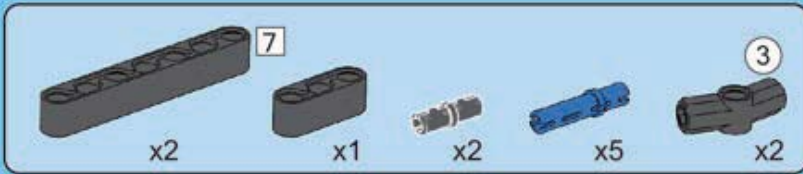




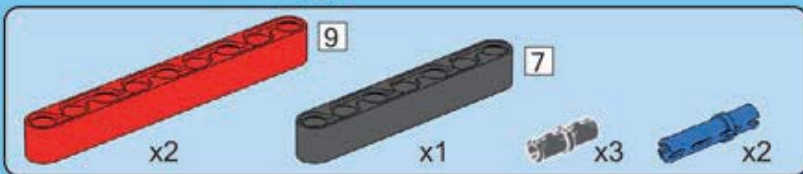
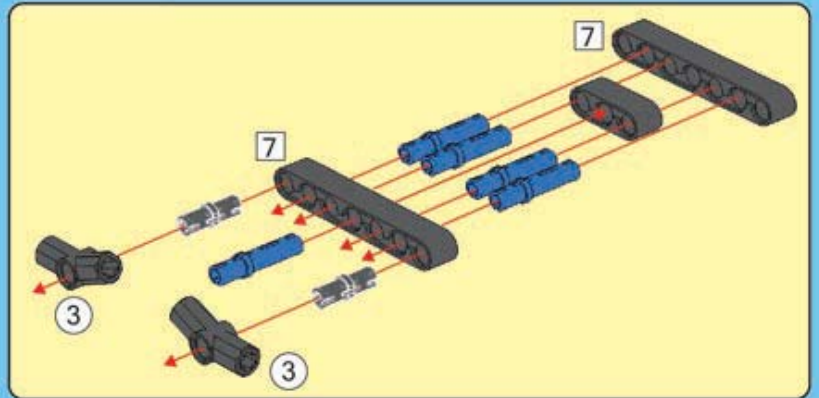
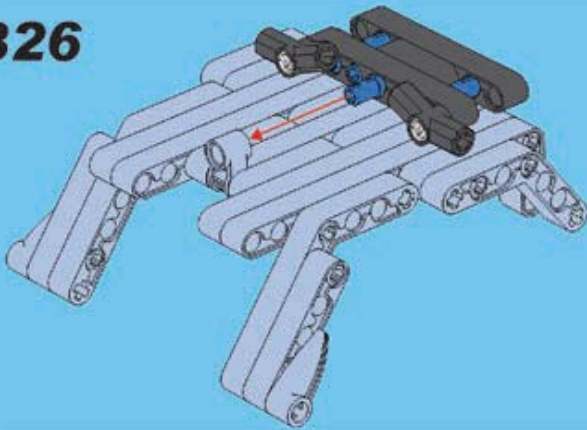


## B25

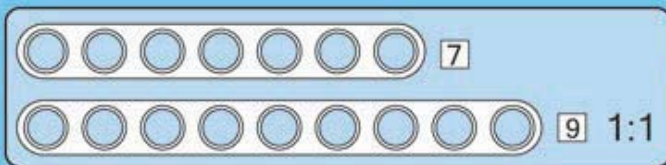
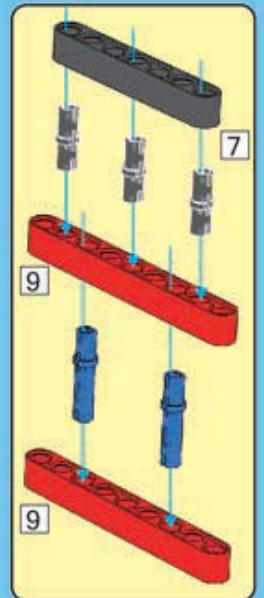
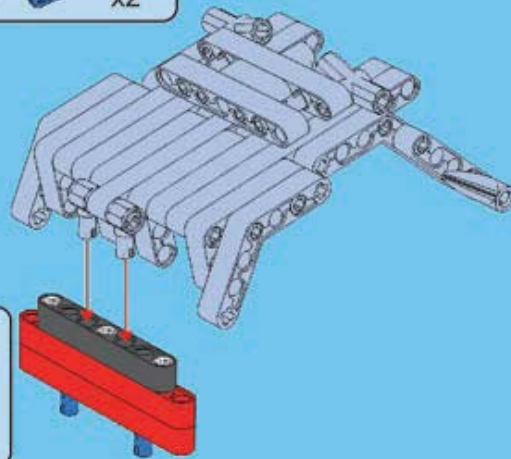


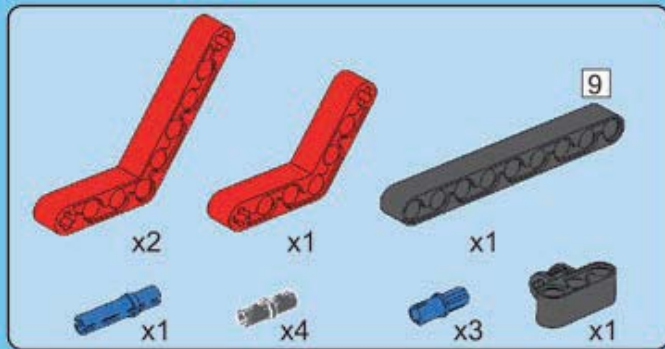


### B26

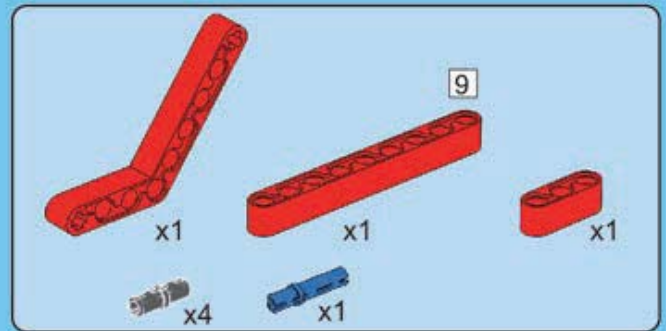
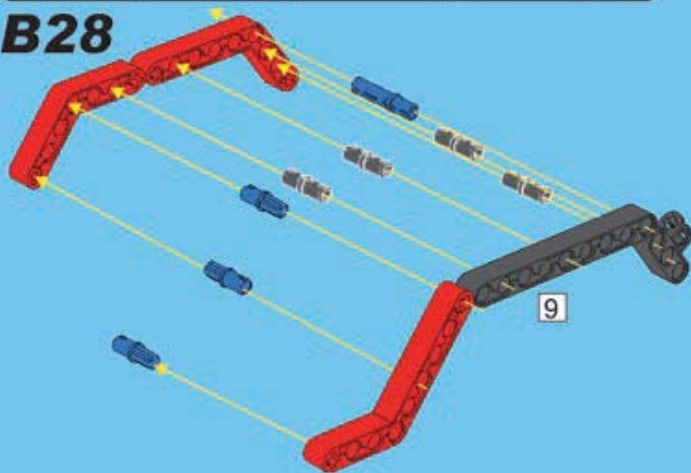


### B27

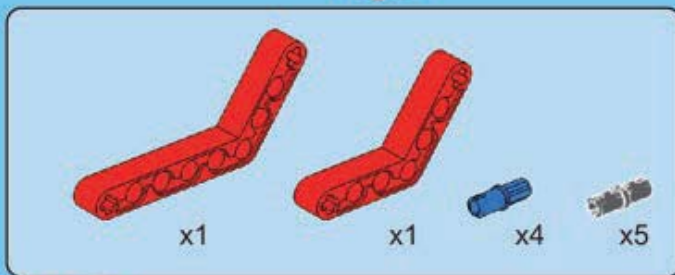
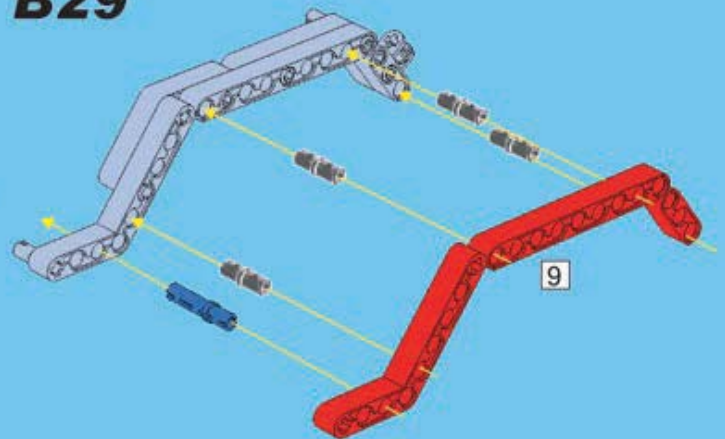




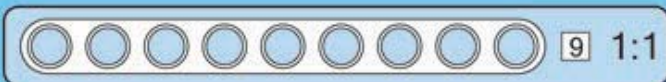
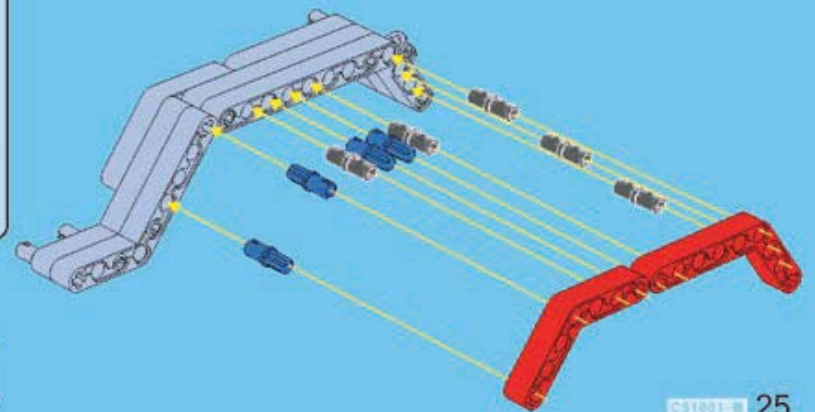
**B28**

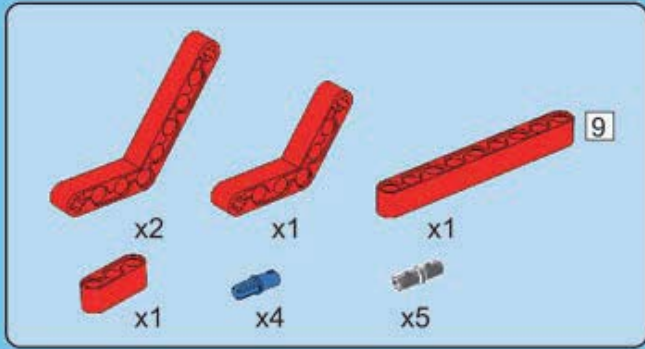


**B29**

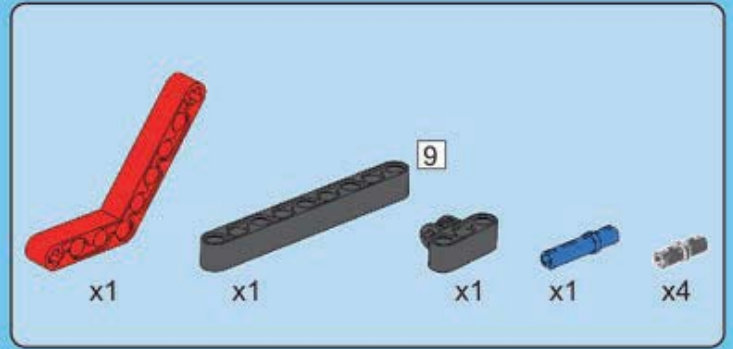
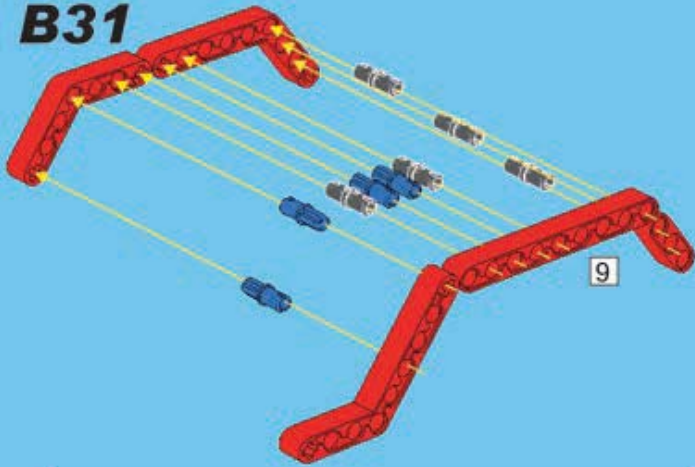


**B30**

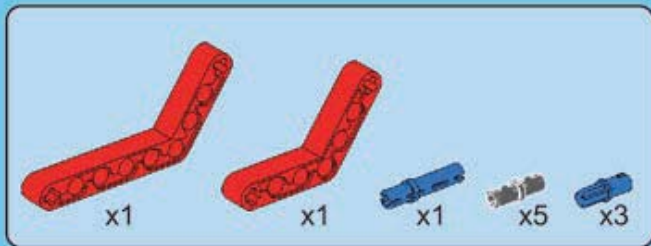
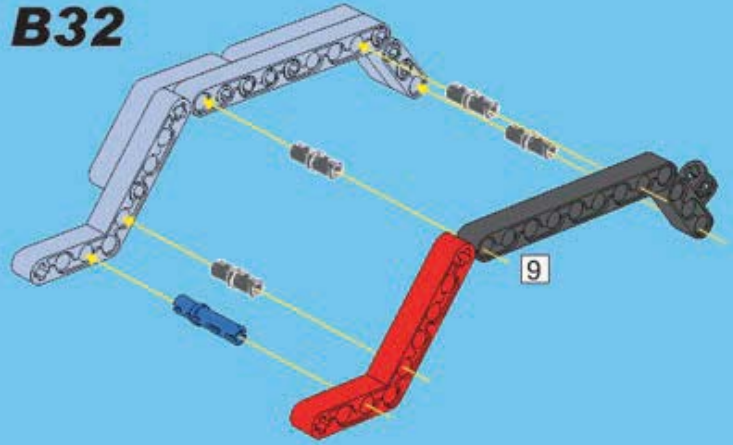




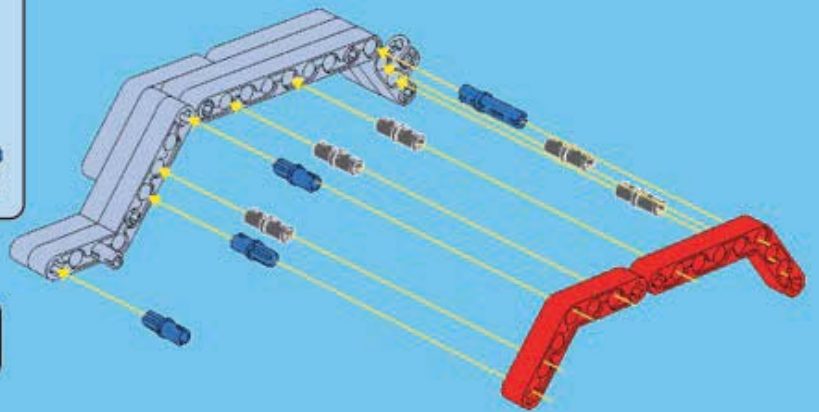
**B31**

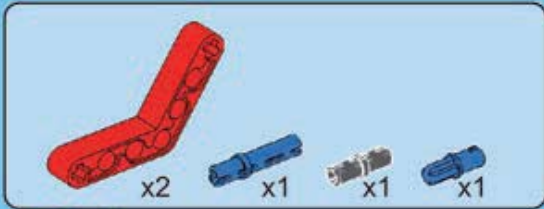


**B32**

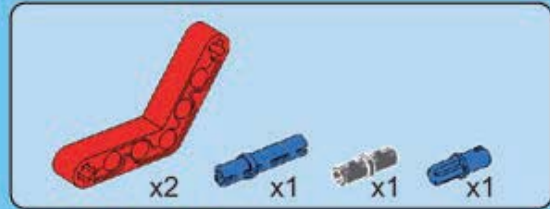
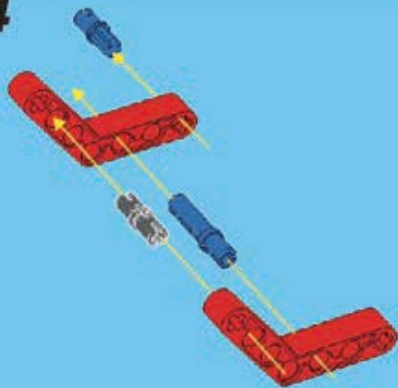


**B33**

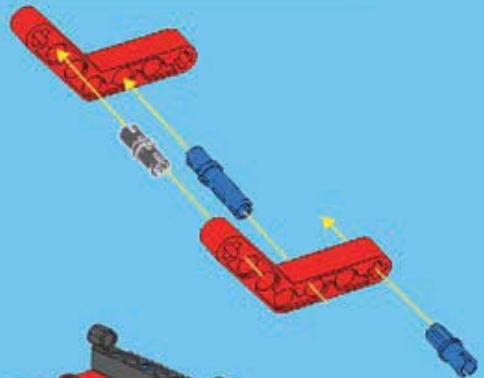




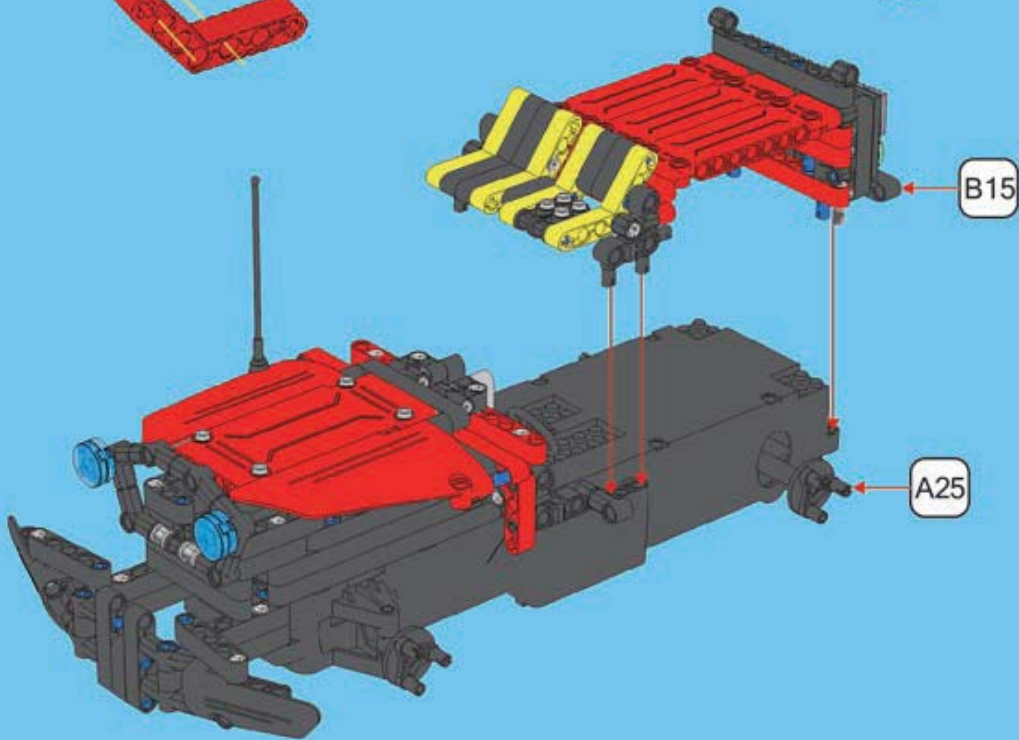
**B34**



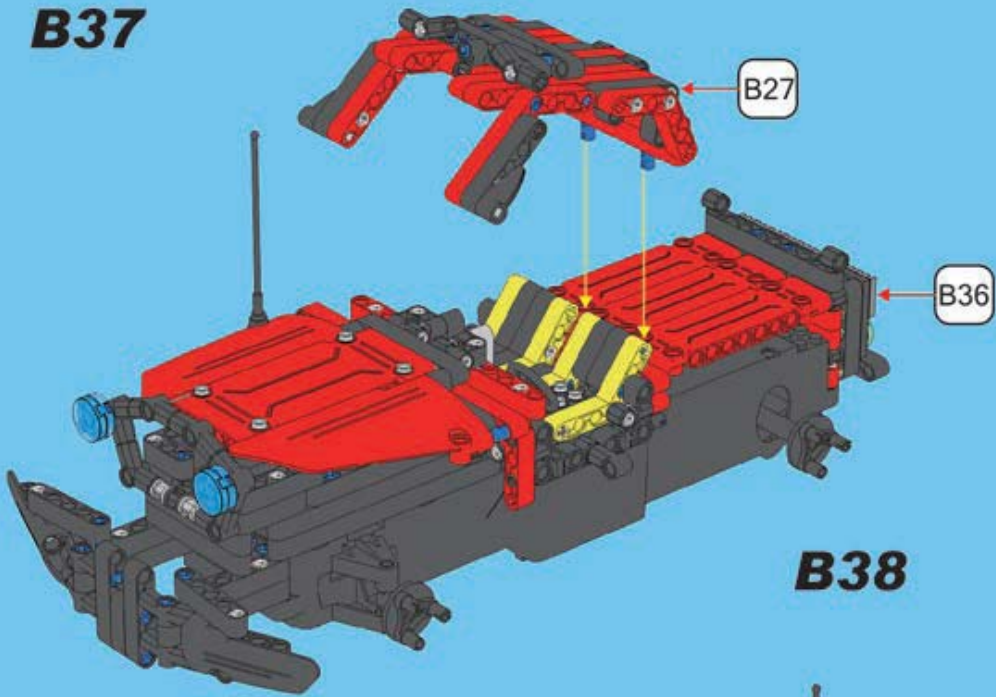
**B35**



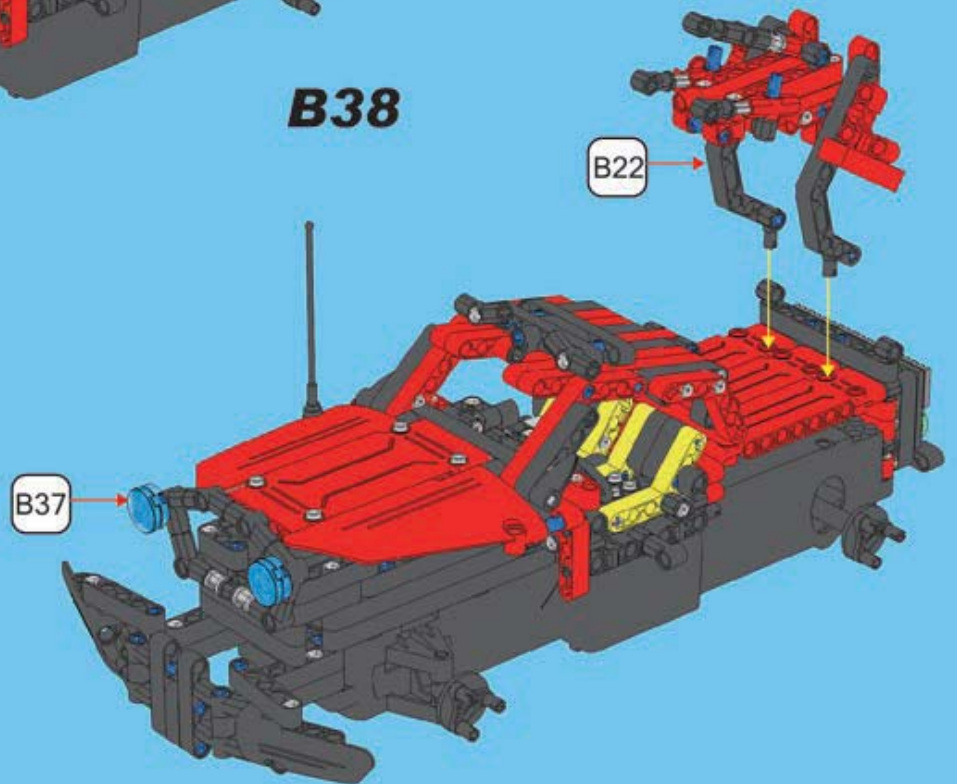
**B36**



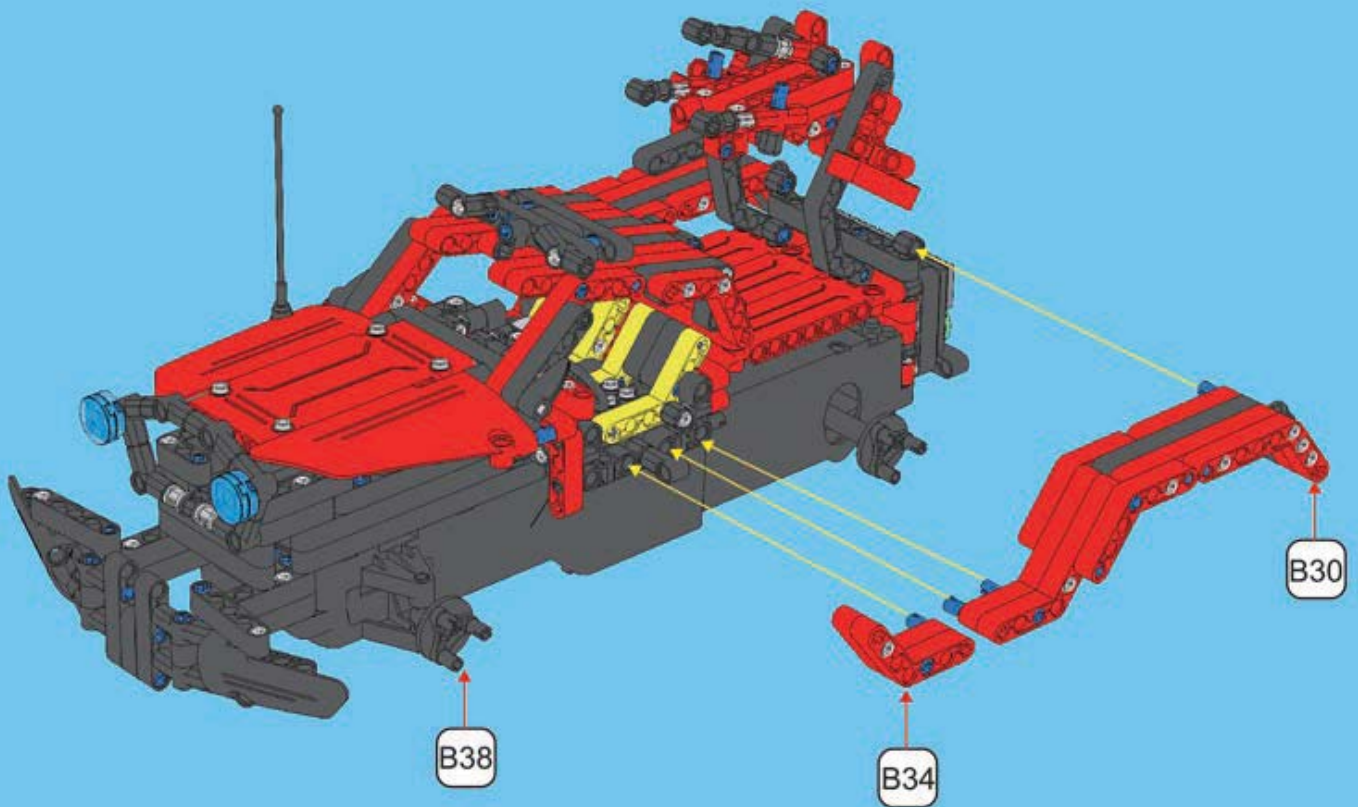
**B37**



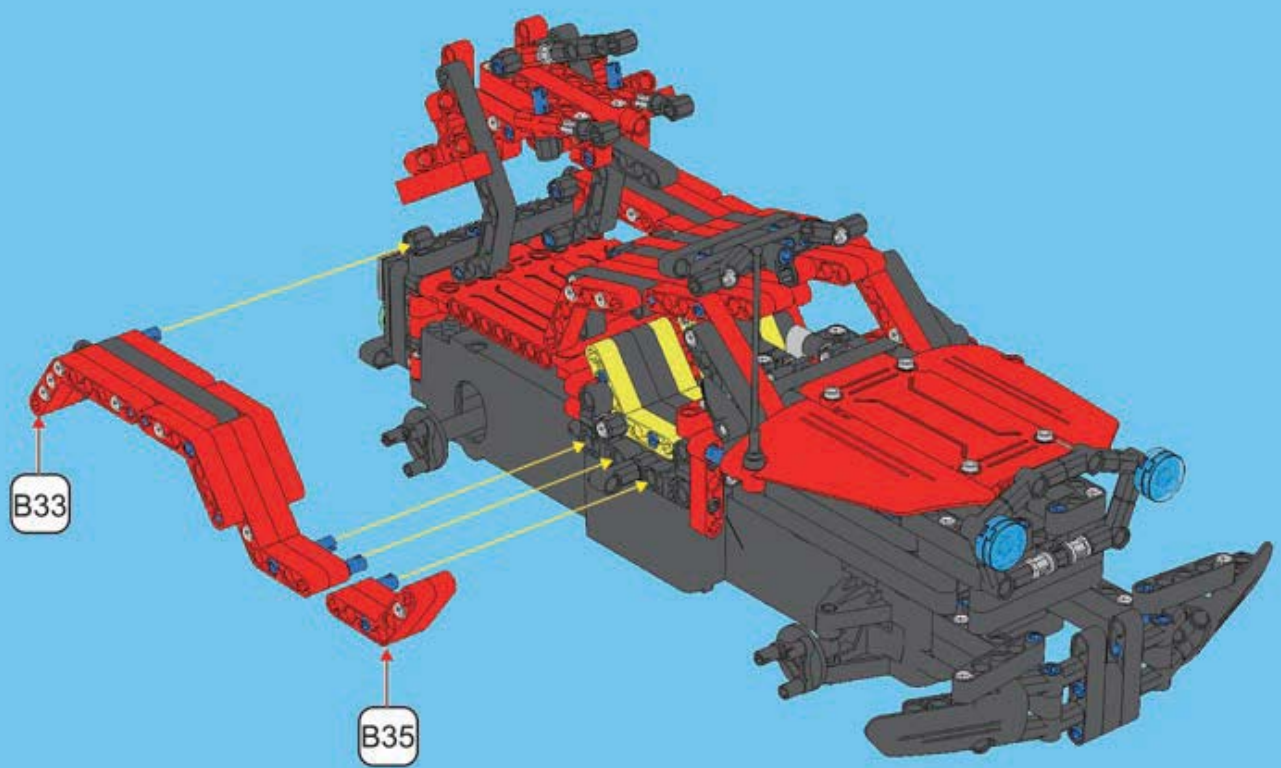
**B38**



# B39



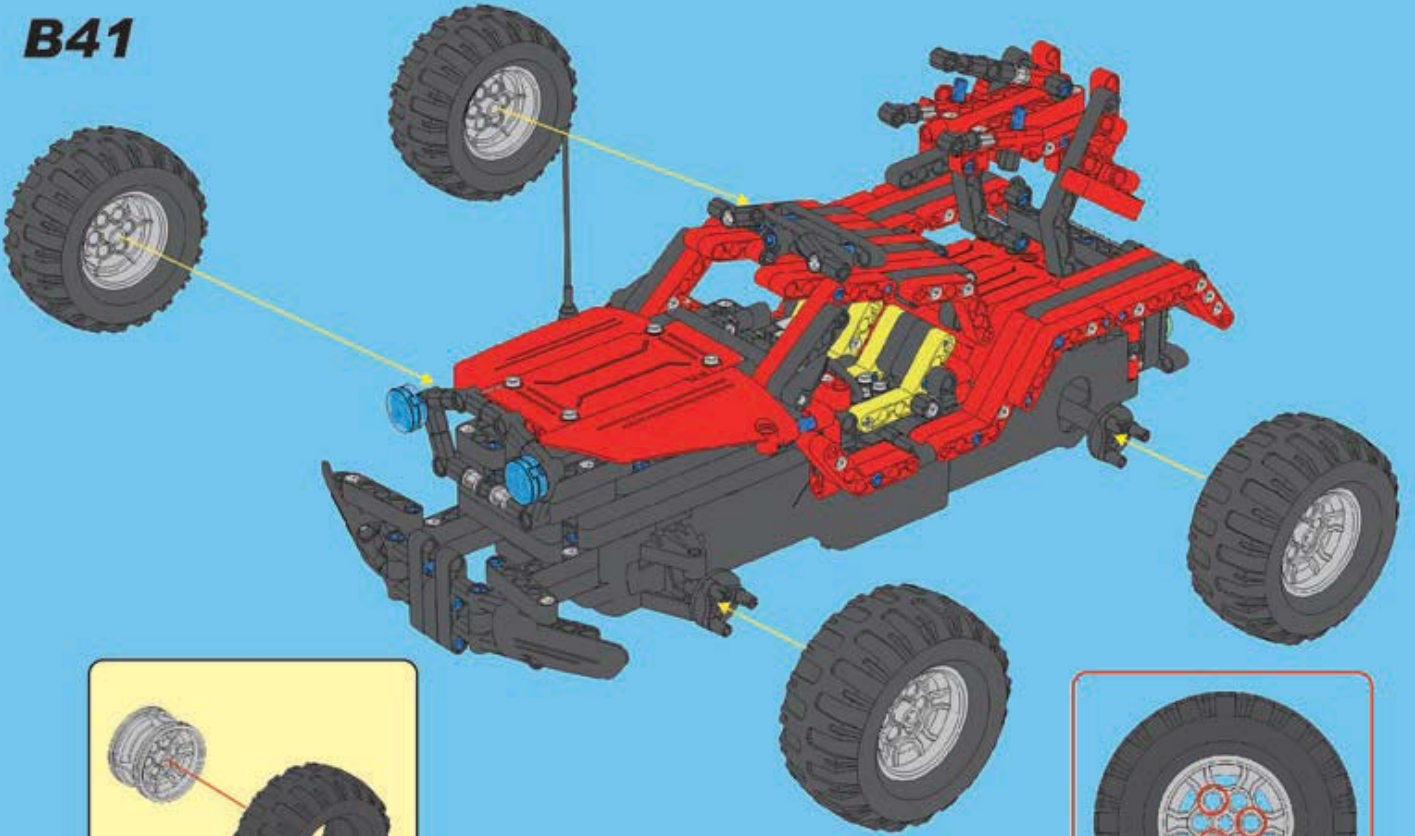
# B40



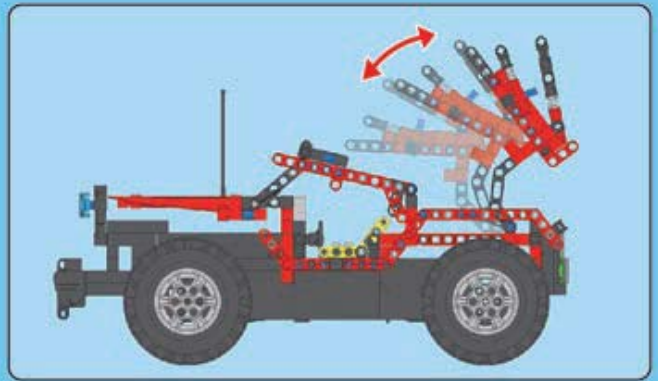
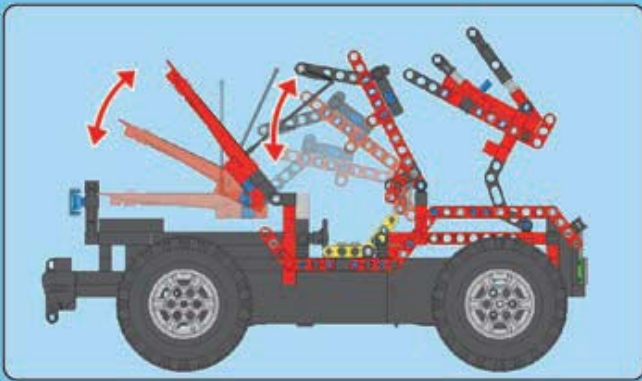
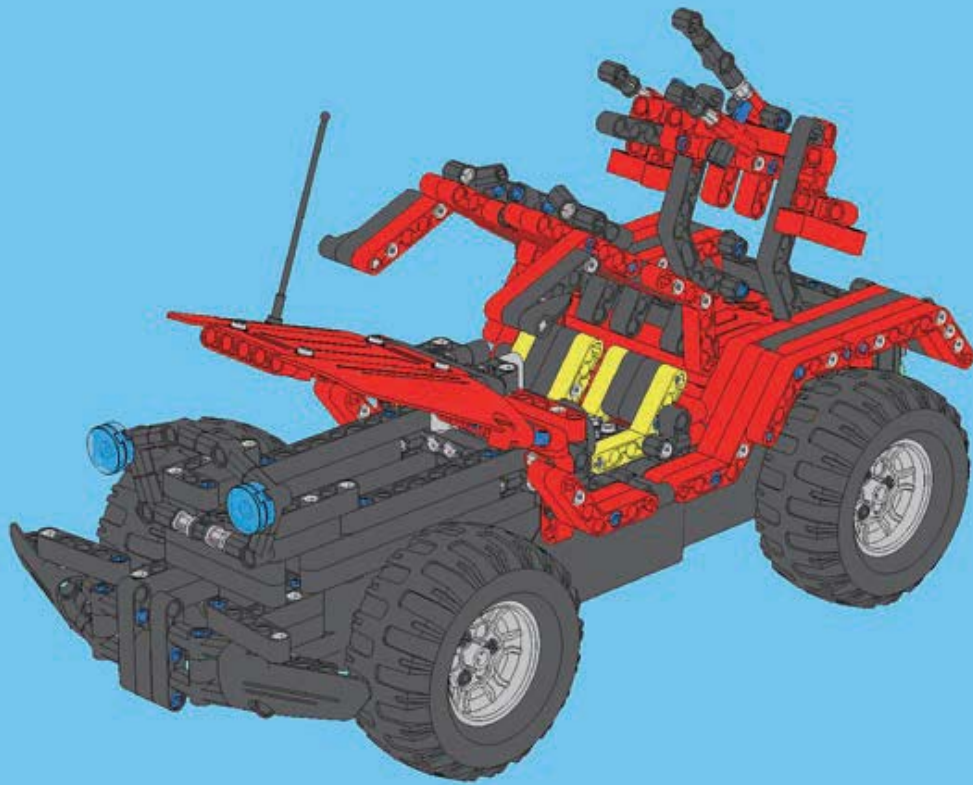




# B41







06.03.00C51001.04

味搭 CaDA

# STEAM support



Science • Technology • Engineering • Art • Maths

STEAM education is an education about Science, Technology, Engineering, Art, Maths. In the comparison of the strength of a country, the number of people getting the degree of STEAM becomes an important indicator. STEAM plan of US government is a plan to encourage student to study STEAM as a major. Government also extends the investment of Science, Technology, Engineering, Art and Maths to cultivate the literacy of science and technology of students.

# TECHNIC series

C51001



C51002



C51003



## FCC

Caution: The user is cautioned that changes or modifications not expressly approved by the party responsible for compliance could void the user's authority to operate the equipment.

If the device is small than 8cm x 10cm size (in user manual instead of label)  
This device complies with Part 15 of the FCC Rules. Operation is subject to the following two conditions: (1) this device may not cause harmful interference, and (2) this device must accept any interference received, including interference that may cause undesired operation.

For Class B digital device or peripheral

NOTE: This equipment has been tested and found to comply with the limits for a Class B digital device, pursuant to Part 15 of the FCC Rules. These limits are designed to provide reasonable protection against harmful interference in a residential installation. This equipment generates, uses and can radiate radio frequency energy and, if not installed and used in accordance with the instructions, may cause harmful interference to radio communications. However, there is no guarantee that interference will not occur in a particular installation.

If this equipment does cause harmful interference to radio or television reception, which can be determined by turning the equipment off and on, the user is encouraged to try to correct the interference by one or more of the following measures:

- Reorient or relocate the receiving antenna.
- Increase the separation between the equipment and receiver.
- Connect the equipment into an outlet on a circuit different from that to which the receiver is connected.
- Consult the dealer or an experienced radio/TV technician for help.

When test standard is FCC section 15.247 or 15.407 (such Bluetooth, Wifi)  
Mobile Device (a device designed to generally be used at a separation distance of at least 20 centimeters is normally maintained between the transmitter's radiating structure(s) and the body of the user)

FCC Radiation Exposure Statement:

This equipment complies with FCC radiation exposure limits set forth for an uncontrolled environment. This equipment should be installed and operated with a minimum distance of 20cm between the radiator and your body.

This transmitter must not be co-located or operating in conjunction with any other antenna or transmitter.

Portable Device (a device designed to generally be used at a separation distance of within 20 centimeters is normally maintained between the transmitter's radiating structure(s) and the body of the user)

FCC Radiation Exposure Statement:

This equipment complies with FCC radiation exposure limits set forth for an uncontrolled environment.

This transmitter must not be co-located or operating in conjunction with any other antenna or transmitter.

This device complies with Part 15 of the FCC Rules. Operation is subject to the following two conditions: (1) this device may not cause harmful interference, and (2) this device must accept any interference received, including interference that may cause undesired operation.