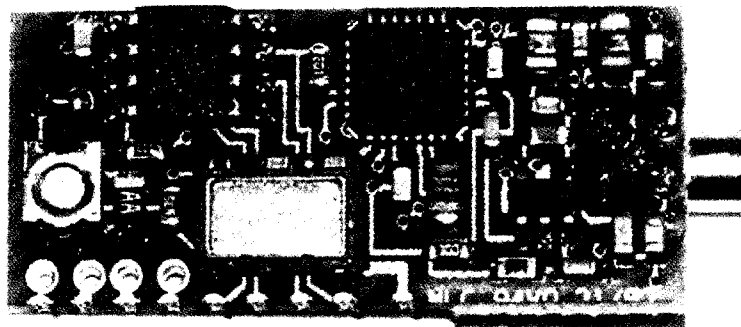


T-2070 Transmitter Manual



DTC COMMUNICATIONS INCORPORATED

OP1920262 Rev. B

Overview

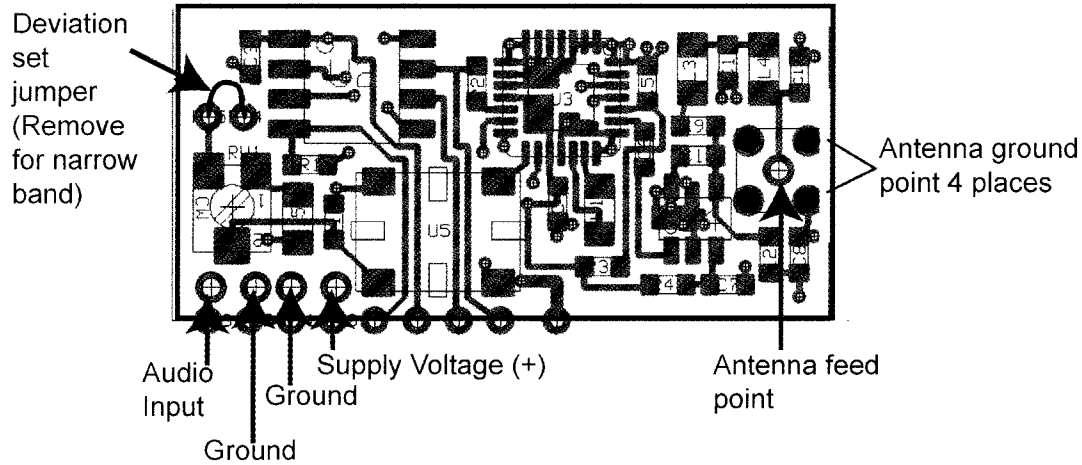
The T-2070 transmitter is intended to provide short-range wireless FM transmission. The wiring diagrams on page five outline the solder points for the connection process. The antenna is a short length of thin, insulated wire attached to the T-2070 Transmitter using a mating MMCX connector.

How to contact DTC

For operator and troubleshooting information, customers are encouraged to refer to the details in this manual. For additional clarification or instruction, or to order parts, contact DTC. Customer Service is available Monday through Friday between the hours of 9:00 AM and 5:00 PM EST at:
Tel: 603-880-4411
Fax: 603-880-6965
Website: www.dtccom.com


Item	Specification
Power Supply	External
Voltage Range	3.5 VDC - 5 VDC
Current	100 mA (maximum)
Frequency	Range: 150 - 174 MHz Stability: +/- 2.5 ppm for temp range -30° C to +65° C (-22°F to +149°F) Deviation: User Wire-Programmable: Wide-band: 3 kHz; Narrow-band: 1.5 kHz
Output	Power: 50 mW (min) into 50 Ohms, Harmonic Level: -30 dBc, Spurious: -60 dBc
Modulation Type	Wideband (3 kHz) or Narrowband (1.5 kHz) at 1VPP, 1kHz input
Audio	Input Level: 1 Vpp nom. @1 kHz, Frequency Response: +/- 1dB from 300 Hz to 3 kHz (after de-emphasis)
Antenna	DTC custom VHF wire antenna with MMCX connector
Connections	Antenna: MMCX female right-angle type, positioned at end of PCB (width-centered) Power, Audio, Ground: PCB : vias
Physical Properties	Dimensions: 1.25" L (max., exc. connector), .5" W , .225" H max.
Environmental	Temp. Range: -30o C to +65 o C (-22 o F to +149 o F)
FCC Acceptance	Part 90 pending.


Wire Diagrams

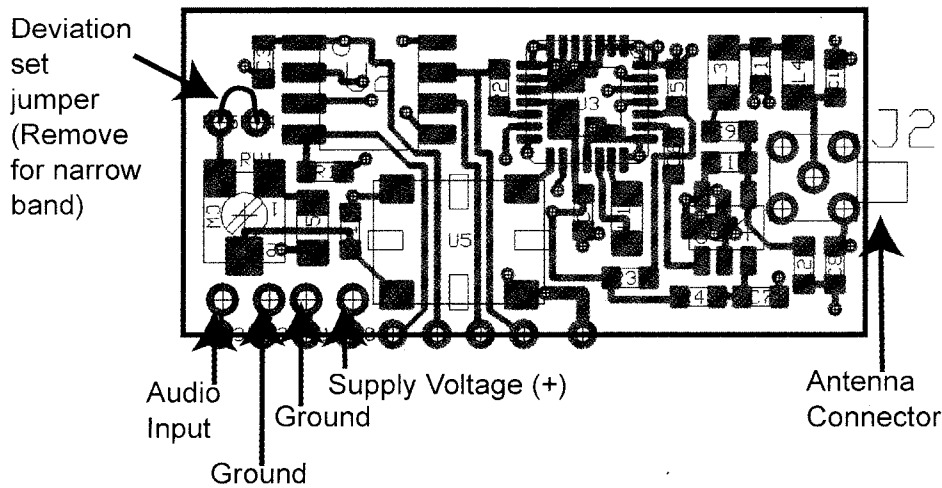


T-2070-NOK

Supply Voltage	3.5 VDC — 5 VDC
Audio Input	1 VPP

 Warning: Do not exceed 7.0 VDC or permanent damage will occur.

 Warning: Electostatic sensitive components. Observe precautions when handling.



T-2070-EA

Supply Voltage	3.5 VDC — 5 VDC
Audio Input	1 VPP



486 Amherst Street ■ Nashua, New Hampshire 03063 ■ 603-880-4411
www.dtccom.com