

Danby®

**Model • Modèle • Modelo
DMW658W**

For service, contact your nearest service depot or call:
**1-800-26-Danby®
(1-800-263-2629)**
to recommend a depot in your area.

Pour obtenir le service, consultez votre succursale régionale de service ou téléphonez:
**1-800-26-Danby®
(1-800-263-2629)**
qui vous recommandera un centre régional.

Para servicio, comuníquese con se Departamento de Servicios más cercano o llame al:
**1-800-26-Danby®
(1-800-263-2629)**
Para que le recomienden un Departamento de Servicios en su zona.

Microwave Oven

The model number can be found on the serial plate located on the back panel of the unit.
All repair parts available for purchase or special order when you visit your nearest service depot. To request service and/or the location of the service depot nearest you, call the TOLL FREE NUMBER.

- When requesting service or ordering parts, always provide the following information:
- Product Type
 - Model Number
 - Part Description

Four à micro-ondes

Le numéro de modèle se trouve sur la plaque d'information sur la paroi arrière de l'appareil.

- Toutes les pièces de rechange ou commandes spéciales sont disponibles de votre centre régional de service autorisé. Pour exiger le service et/ou le nom de votre centre de service régional, signalez le NUMÉRO SANS FRAIS.
- Avez les renseignements suivants à la portée de la main lors de la commande de pièce ou service:
- Genre de produit
 - Numéro de modèle
 - Description de la pièce

Horno de microondas

El número del modelo se puede encontrar en la placa de información ubicada en el panel posterior de la unidad.
Todos los repuestos se encuentran disponibles para compra o pedido especial cuando visite su departamento de servicio más cercano. Para solicitar servicio y/o la ubicación del departamento de servicio más cercano, llame AL NÚMERO DE TELÉFONO DE LLAMADA GRATIS.

Cuando solicite servicio o encargue repuestos, siempre proporcione la siguiente información:

- Tipo de producto
- Número del modelo
- Descripción de la parte

Danby Products Limited, Guelph, Ontario Canada N1H 6Z9
Danby Products Inc., Findlay, Ohio USA 45840

Printed in China (P.R.C.)

FCC ID # NZ9658

EXHIBIT "Q"

DESCRIPTION: Original copy of "Operating Instructions" (Manual) provided with each Microwave Oven Produced.
Location: Packaged inside Microwave Oven Cavity.

MANUAL DEL PROPIETARIO

**Model • Modèle • Modelo
DMW658W**

CAUTION:
Read and follow all safety rules and operating instructions before first use of this product.

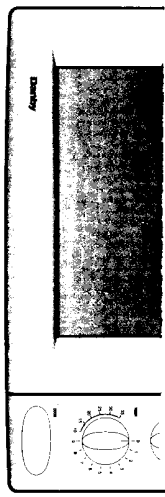
PRECAUTION:
Veuillez lire attentivement les consignes de sécurité et les instructions d'utilisation avant l'utilisation initiale de ce produit.

PRECAUCIÓN:
Lea y observe todas las reglas de seguridad y las instrucciones de operación antes de usar este producto por primera vez.



Danby Products Limited, Guelph, Ontario Canada N1H 6Z9
Danby Products Inc., Findlay, Ohio USA 45840

DMW658W, 12.97



**Danby® 0.6 cu. ft. Microwave Oven
Owners Manual 1-9**

**Danby® 0.6 pi³ Four à micro-ondes
Manuel d'utilisation 10-18**

**Danby® 0.6 pies cúbicos
Horno micro ondas
Manual del propietario 19-27**

TABLE OF CONTENTS

FEATURE DIAGRAM	2
SPECIFICATIONS	2
PRECAUTIONS TO AVOID POSSIBLE EXPOSURE TO EXCESSIVE MICROWAVE ENERGY	3
FEDERAL COMMUNICATIONS COMMISSION RADIO FREQUENCY INTERFERENCE STATEMENT (U.S.A. ONLY)	3
GROUNDING INSTRUCTIONS	3
IMPORTANT SAFETY INSTRUCTIONS	4
INSTALLATION	6
OPERATION	7
CARE AND CLEANING	8
BEFORE YOU CALL FOR SERVICE	8
QUESTIONS & ANSWERS	8
WARRANTY	9

INTRODUCTION

Thank you for purchasing a Danby Microwave Oven. This Owner's Manual will provide you with valuable information necessary for the proper care and maintenance of your new appliance. If properly maintained, your Danby appliance will give you many years of trouble free operation. Please take a few moments and read the instructions thoroughly and familiarize yourself with all of the operational aspects of this appliance. For easy reference, may we suggest you attach a copy of your sales slip/receipt to this page, along with the following information which is located on the manufacturers nameplate located on the rear panel of the unit.

Model Number: _____

Serial Number: _____

Date of Purchase: _____

Dealer's Name and Address: _____

This information will be required if your unit requires servicing and/or for general inquiries. To contact a Customer Service Representative, call Danby TOLL FREE.

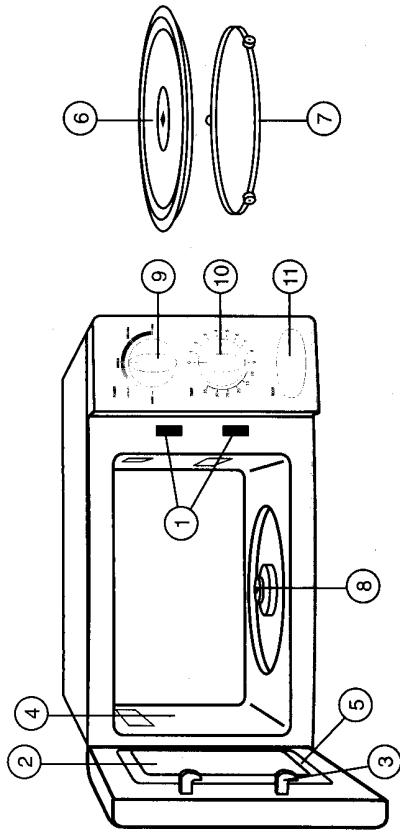
1-800-26-Danby

Keep these instructions for future reference.



This symbol denotes a caution or warning

FEATURE DIAGRAM



1. Safety Interlock System
2. Door Viewing Screen: Allows viewing of food. The screen is designed so that light can pass through, but not the microwaves.
3. Door Hook: When door is closed, it will automatically lock shut. If the door is opened while the oven is operating, the microwave will immediately stop operating.
4. Oven Cavity
5. Door Seal: Door seal contains the microwave energy within the oven cavity and prevents microwave leakage.
6. Glass Cooking Tray: Made of special heat resistant glass. Food in a proper receptacle is placed on this tray for cooking.
7. Roller Guide: This must always be used for cooking together with the glass cooking tray.
8. Coupler: This fits over the shaft in the center of the oven's cavity floor. This is to remain in the oven for all cooking.
9. Knob Selector: Used to select a microwave power level.
10. Knob Timer: Used to set cooking time functions.
11. Door Release Button: By pushing this button, the latch system cuts off all circuits and stops the oven before the door is opened.

SPECIFICATIONS

Power Supply	120VAC 60Hz Single Phase with Grounding
Power Consumption	1,000 Watts
Microwave Output Power	650 watts (IEC)
Microwave Frequency	2450 MHz
Outside Dimensions (WxDxH)	18 1/4" x 14 1/4" x 10 7/8"
Timer	35 minute
Net Weight	24.8 lb. (11.25 kg)

* Specifications subject to change without notice.

PRECAUTIONS TO AVOID POSSIBLE EXPOSURE TO EXCESSIVE MICROWAVE ENERGY

- a) **DO NOT** attempt to operate this oven with the door open since open-door operation can result in harmful exposure to microwave energy. It is important not to defeat or tamper with the safety interlocks.
- b) **DO NOT** place any object between the oven front face and the door or allow soil or cleaner residue to accumulate on sealing surfaces.
- c) **DO NOT** operate the oven if it is damaged. It is particularly important that the oven door closes properly and that there is no damage to the:
 - 1) door (bent), 2) hinges and latches (broken or loose), 3) door seals and sealing surfaces.
- d) The oven should not be adjusted or repaired by anyone except properly qualified service personnel.

This ISM apparatus meets all requirements of the Canadian Interference Causing Equipment Regulations.

FEDERAL COMMUNICATIONS COMMISSION RADIO FREQUENCY INTERFERENCE STATEMENT (U.S.A. ONLY)

This equipment generates and uses ISM frequency and if not installed and used properly, that is in strict accordance with the manufacturer's instructions, may cause interference to radio and television reception. It has been type-tested and found to comply with limits for an ISM Equipment pursuant to part 18 of FCC Rules, which are designed to provide reasonable protection against such interference in a residential installation.

However, there is no guarantee that interference will not occur in particular installations. If this equipment does cause interference to radio or television reception, which can be determined by turning the equipment off and on, the user is encouraged to try to correct the interference by one or more of the following:

- Reorient the receiving antenna of radio or television.
- Relocate the microwave oven with respect to the receiver.
- Move the microwave oven away from the receiver.
- Plug the microwave into a different outlet so that microwave and receiver are on different branch circuits.

The Manufacturer is not responsible for any radio or TV interference caused by UNAUTHORIZED MODIFICATION to this microwave oven. It is the responsibility of the user to correct such interference.

GROUNDING INSTRUCTIONS

This appliance must be grounded. In the event of an electrical short circuit, grounding reduces the risk of electrical shock by providing an escape wire for the electric current. This appliance is equipped with a cord having a grounding wire with a grounding plug. The plug must be plugged into an outlet that is properly installed and grounded.

Improper use of the grounding can result in a risk of electric shock. Consult a qualified electrician or serviceman if the grounding instructions are not yet completely understood or if doubt exists as to whether the appliance is properly grounded. If it is necessary to use an extension cord, use only a 3-wire extension cord that has a 3-blade grounding plug, and a 3-slot receptacle that will accept the plug on the appliance. The marked rating of the extension cord shall be equal to or greater than the electrical rating of the appliance.

IMPORTANT SAFETY INSTRUCTIONS

⚠ WARNING

When using electrical appliances, basic safety precautions should be followed at all times. To reduce the risk of burns, electric shock, fire, injury to persons or exposure to excessive microwave energy:

1. Read all instructions before using the appliance.
2. Read and follow the specific PRECAUTIONS TO AVOID POSSIBLE EXPOSURE TO EXCESSIVE MICROWAVE ENERGY found on page 3.
3. This appliance must be grounded. Connect only to properly grounded outlet. See **GROUNDING INSTRUCTIONS** found on page 3.
4. Install or locate this appliance only in accordance with the provided installation instructions.
5. Some products such as whole eggs and sealed containers (eg. sealed glass jars) may explode and should not be heated in this oven.
6. Use this appliance only for its intended use as described in this manual. **DO NOT** use corrosive chemicals or vapors in this appliance. This type of oven is specifically designed to heat, cook, or dry food. It is not designed for industrial or laboratory use.
7. As with any appliance, close supervision is necessary when used by children.
8. **DO NOT** operate this appliance if it has a damaged cord or plug, if it is not working properly, or if it has been damaged or dropped.
9. This appliance should be serviced only by authorized service personnel. Contact nearest authorized service facility for examination, repair or adjustment.
10. **DO NOT** cover or block any openings on the appliance.
11. **DO NOT** store this appliance outdoors.
12. **DO NOT** use this product near water (eg. near sink, wet basement, near swimming pool etc...).
13. **DO NOT** immerse cord or plug in water.

14. Keep cord away from heated surfaces.
15. **DO NOT** let cord hang over edge of table or counter.
16. When cleaning surfaces of door and oven that come together on closing the door, use only mild, nonabrasive soaps or detergents applied with a sponge or soft cloth; or when separate cleaning instructions provide. See door surface cleaning instructions on page 7.
17. To reduce the risk of fire in the oven cavity:
 - a) **DO NOT** overcook food. Carefully attend appliance if paper, plastic, or other combustible materials are placed inside the oven to facilitate cooking.
 - b) Remove wire twist-ties from paper or plastic bags before placing bag in oven.
 - c) If materials inside the oven should ignite, keep oven door closed, turn oven off, and disconnect the power cord or shut off power at the fuse or circuit breaker panel.
 - d) **DO NOT** use the cavity for storage purposes. **DO NOT** leave paper products, cooking utensils, or food in the cavity when not in use.
18. **DO NOT** use this microwave to heat corrosive chemicals (eg. sulfides and chlorides). Vapors from such corrosive chemicals may interact with the contact points and springs of the safety interlock switches thereby rendering them inoperable.
19. **DO NOT** place anything on top of this oven.

SAVE THESE INSTRUCTIONS

4

HOW TO USE YOUR MICROWAVE OVEN SAFELY

Although your oven is provided with safety features, it is important to observe the following:

- a) It is important not to defeat or tamper with safety interlocks.
- b) **DO NOT** place any object between the oven front face and the door or allow residue to accumulate on sealing surfaces. Wipe the sealing area frequently with a mild detergent, rinse and wipe dry. Never use abrasive powders or pads.
- c) When opened, the door must not be subjected to strain (eg. a child hanging on an open door) any load could cause the oven to fall forward causing injury and also damage to the door. **DO NOT** operate the oven if it is damaged, until it has been repaired by qualified service personnel. It is particularly important that the oven closes properly and that there is no damage to the: a) door (bent), b) hinges and latches (broken or loose), c) door seals and sealing surfaces.
- d) The oven should not be adjusted or repaired by anyone except qualified service personnel.

NOTE:

1. **DO NOT** leave the oven unattended, while popping corn, kernels can overheat and become dehydrated thus causing the bag to catch on fire.
2. **DO NOT** pop popcorn longer than the manufacturer's directions (popping time is generally below 5 minutes). Longer cooking does not yield more popped corn. It can cause scorching and fire. Also, the cooking tray can become too hot to handle or may break.
3. **DO NOT PUT MICROWAVE PACKAGED POPCORN IN BAG DIRECTLY ON OVEN GLASS TRAY, AS HIGH HEAT FROM THE PACKAGE COULD CRACK THE TRAY. TO PREVENT CRACKING, PLACE THE PACKAGE ON A MICROWAVE SAFE PLATE** (see **Utensils** first).

After heating, the package and glass plate will be very hot. Handle with caution and use pot holders to remove plate from oven.

NOTE:

It is quite normal for steam to be emitted around the door during the cooking cycle. The door is not intended to seal the oven cavity completely, but its special design contributes to the complete safety of the appliance.

⚠ CAUTION

1. **DO NOT** attempt to operate the oven while empty as this will cause damage to the cavity.
2. The exhaust is located in the rear of the oven, install the oven so as not to block the exhaust outlet.

SAFETY STATEMENTS

GENERAL USE

1. **DO NOT** attempt to tamper with or make any adjustments or repairs to door, control panel or any other part of the oven. **DO NOT** remove outer panel from oven. Repairs should only be done by qualified service personnel.
2. **DO NOT** operate an oven empty. The microwave energy will reflect continuously throughout the oven if no food or water is present to absorb energy.
3. If a fire occurs in the oven, keep the **DOOR CLOSED**. Disconnect the power cord, or shut off the power at the fuse or circuit breaker panel.
4. **DO NOT** attempt to dry clothes, newspaper or other materials in oven. They may catch on fire.
5. **DO NOT** use recycled paper products, as they may contain impurities which may cause sparks (arcing) and or fires when used.
6. **DO NOT** hit or strike control panel, as this may cause damage to the oven.

UTENSILS

1. Metal containers or dishes with metallic rims should **NOT** be used. Arcing may occur.
2. Metal twist-ties should **NOT** be used in the microwave oven.
3. **DO NOT** use sealed jars or narrow neck bottles for cooking or reheating. They may shatter (explode).
4. **DO NOT** use conventional thermometers in the microwave oven. They may cause arcing.
5. Remove plastic store wraps before cooking or defrosting in the oven.
6. When using foil, skewers, warming rack or utensils made of metal in the oven, allow at least one inch of space between metal material and interior oven walls. If arcing (sparking) occurs, remove metal material (skewers, etc...) and/or transfer to a nonmetallic container.

5

SAFETY STATEMENTS (CONT'D)

FOOD

1. Never use your microwave oven for home canning. The oven is not designed to permit proper canning. Improperly canned food may spoil and be dangerous to consume.
2. Cooking times are usually approximate. Factors that may affect cooking are starting temperature, altitude, volume, size and shape of foods and utensils used. As you become familiar with the oven, you will be able to adjust for these factors.
3. It is better to undercook rather than overcook foods. If food is undercooked, it can always be returned to the oven for further cooking. If food is overcooked, nothing can be done. Always start with minimum cooking times.
4. Small quantities of food or foods with low moisture content can burn, dry out or catch on fire if cooked too long.
5. **DO NOT** boil eggs in their shell. Pressure may build up and the eggs will explode.
6. Potatoes, apples, egg yolks, and sausage are examples of food with nonporous skins. These must be pierced before cooking to prevent bursting.
7. Popcorn must be popped in a microwave corn popper. Microwave popped corn produces a lower yield than conventional popping. **DO NOT** pop corn unless popped in a microwave approved container or unless it's commercially packaged and recommended especially for microwave ovens. **DO NOT** use oil unless specified by the manufacturer. If a microwave popper or specially packaged popcorn is used, carefully follow the manufacturer's instruction.
8. **DO NOT** attempt to deep fry in your oven.
9. Heated liquids can erupt if not mixed with air. **DO NOT** heat liquids in your microwave oven without first stirring.

INSTALLATION

1. Examine the oven after unpacking for any damage such as a misaligned door, broken door, a dent in cavity. If any of the above are visible, **DO NOT INSTALL**, and notify dealer immediately.
2. This microwave should be set on a steady, flat surface.

OPERATION

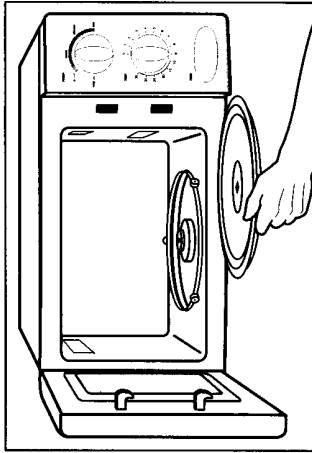
1. Connect the power cord to a properly grounded electrical outlet.
2. After placing food in a suitable microwave safe container, open the oven door and place container on glass tray. The glass tray must always be in place during cooking.
3. Close the door. Make sure it is firmly closed.
4. Set the Variable power selector to the desired power level.

POWER LEVEL	OUTPUT POWER
WARM	43 Watts
DEFROST	150 Watts
MEDIUM	306 Watts
MED. HIGH	473 Watts
HIGH	650 Watts

5. Set the cooking time by turning the timer knob to appropriate time. Microwave cooking starts immediately. If turning the timer knob for less than 2 minutes, turn past 2 minutes and then back to the desired time.
6. Microwave energy stops automatically when the timer points to "OFF". Take food out of the microwave (exercise caution as contents could be very hot).
 - Your microwave oven is fitted with safety door interlock switches which prevent the oven from operating while the door is open.
 - To insert food during operation, simply open the door. The oven automatically stops cooking.
 - Anytime you wish to stop cooking, simply turn the timer knob to the "OFF" position. Cooking can be reset at any time during the cooking cycle by turning the timer knob to desired time.
7. If the food is cooked prior to expiration of the selected time, you must advance the timer to the "OFF" position, otherwise, the oven will continue to operate when the door is closed.
 - **DO NOT** let timer continue to operate after removing food.

CARE AND CLEANING

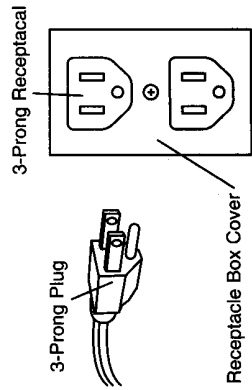
1. Turn the oven off before cleaning.
2. Keep the inside of the oven clean. When food spatter or spilled liquids adhere to oven walls, wipe with a damp cloth. Mild detergent may be used if the oven gets very dirty. The use of harsh detergent or abrasives is not recommended.
3. The outside oven surface should be cleaned with soap and water, rinsed and dried with a soft cloth. To prevent damage to the operating parts inside the oven, water should not be allowed to seep into the ventilation openings.
4. If the control panel becomes wet, clean with a soft, dry cloth. **DO NOT** use harsh detergents or abrasives on control panel.
5. If steam accumulates inside or around the outside of the oven door, wipe with a soft cloth. This may occur when the microwave is operated under high humidity conditions and in no way indicates a malfunction in the unit.
6. It is occasionally necessary to remove the glass tray for cleaning. Wash the tray in warm sudsy water or in a dishwasher.



7. The roller guide and oven cavity floor should be cleaned regularly to avoid excessive noise. Simply wipe the bottom surface of the oven with mild detergent or window cleaner and dry. The roller guide may be washed in mild sudsy water or in a dish washer.

3. Leave space behind and side. All air vents should be kept clear. If all vents are covered during operation, the oven may overheat and eventually cause oven failure.
4. Poor television reception and radio interference may result if the oven is located close to a TV, radio or antenna feeder and so on. Place the oven as far from them as possible.
5. Keep the oven away from hot air, steam or splashes when choosing a location or the insulation might be adversely affected and breakdowns could occur.
6. Power Supply
 - Check your local power source. This microwave oven requires a line voltage of approximately 120 volts, 60 Hz protected by a 15 ampere fuse or circuit breaker.
 - Power supply cord is about 1.0 meter (39") long.
1. A short power supply cord is provided to reduce the risk of persons becoming entangled in or tripping over a longer cord.
2. Longer cord sets or extension cords are available and may be used if care is exercised in their use.
3. If a long cord or extension cord is used:
 - a) the marked electrical rating of the cord set or extension cord should be at least as great as the electrical rating of the appliance.
 - b) the extension cord must be a grounded-type 3-wire cord.
 - c) a longer cord should be arranged so that it will not drape over the countertop or tabletop where it can be pulled on by children or accidentally tripped over.

When using a 3-pronged plug



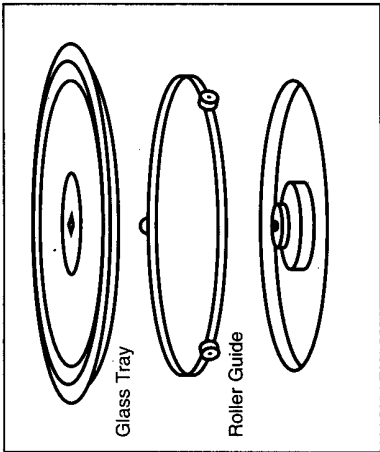
CARE AND CLEANING

Roller Guide

1. The Roller Guide and oven floor should be cleaned frequently to prevent excessive noise.
2. The Roller Guide must always be used for cooking together with the Glass Tray.

Glass Tray

1. **DO NOT** operate the oven without the Glass Tray in place.
2. **DO NOT** use any other Glass Tray with this oven.
3. If Glass Tray is hot, allow to cool before placing it in water.
4. **DO NOT** cook directly on the Glass Tray.



BEFORE YOU CALL FOR SERVICE

Refer to the following checklist, you may prevent an unnecessary service call.

- * **The oven doesn't work**
- 1. Check that power cord is securely plugged in.
- 2. Check that the door is firmly closed.
- 3. Check that the cooking time is set.
- 4. Check for a blown circuit fuse or tripped main circuit breaker in your home.
- * **Sparking in the cavity (arcing)**
- 1. Metal containers or dishes with metal trim are being used.
- 2. Check that metal skewers are not touching the interior walls.

If there is still a problem, contact a service station.

DO NOT ATTEMPT TO SERVICE THE OVEN YOURSELF!

QUESTIONS & ANSWERS

- Q: I accidentally ran my microwave oven without any food in it. Is it damaged?**
- A:** Running the oven empty for a short time will not damage the oven. However, it is not recommended.
- Q: Can the oven be used with the glass tray or roller guide removed?**
- A:** No. Both the glass tray and roller guide must always be used in the oven during cooking.
- Q: Can I open the door when the oven is operating?**
- A:** The door can be opened anytime during the cooking operation. The microwave energy will be instantly switched off and the time setting held until the door is closed.
- Q: Why do I have moisture in my microwave oven after cooking?**
- A:** The moisture inside your microwave oven is normal. It is caused by steam from cooking food hitting the cool oven surface.
- Q: Does the microwave energy pass through the viewing screen in the door?**
- A:** No. The metal screen bounces back the energy to the oven cavity. The holes are made to allow light to pass through. They **DO NOT** let microwave energy pass through.

Danby® LIMITED PRODUCT WARRANTY MICROWAVE OVENS

This quality product is warranted to be free from manufacturer's defects in material and workmanship, provided that the unit is used under the normal operating conditions intended by the manufacturer.

This warranty is available only to the person to whom the unit was originally sold by Danby or by an authorized distributor of Danby, and is non-transferable.

TERMS OF WARRANTY

The limited warranty period listed below is based upon the selection of brand name of the product purchased.

Any electrical parts of this product found to be defective will be repaired or replaced, including labour, at warrantor's option for the ORIGINAL purchaser, covering service listed below per product selection. Consumable parts (i.e. light bulbs, glass, porcelain) are limited to a 90 day warranty period.

Select your brand name microwave oven, listed below, to determine your product warranty coverage.

BRAND NAME

Danby (Carry-In Service)

Parts

Twelve (12) months

Labour

Twelve (12) months

Sixty-five (65) months

Extended Magnetron Parts Replacement (No Labour)

For all appliances which are covered under our carry-in service warranty, it is the consumer's responsibility to deliver the unit to our authorized service depot. Any and all transportation charges incurred are the responsibility of the consumer and are not included within this warranty.

TO OBTAIN SERVICE: Contact your dealer from whom your unit was purchased, or contact your nearest authorized Danby service depot, where service must be performed by a qualified service technician. If service is performed on the unit by anyone other than an authorized service depot, or the unit is used for commercial application, all obligations of Danby under this warranty shall be at an end.

EXCLUSIONS

Save as herein provided, Danby Products Limited (Canada) or Danby Products Inc. (U.S.A.), there are no other warranties, conditions, representations or guarantees, express or implied, made or intended by Danby Products Limited (Canada) or Danby Products Inc. (U.S.A.) or its authorized distributors and all other warranties, conditions, representations or guarantees, including any warranties, conditions, representations or guarantees under any Sale of Goods Act or like legislation or statute is hereby expressly excluded.

Save as herein provided, Danby Products Limited (Canada) or Danby Products Inc. (U.S.A.), shall not be responsible for any damages to persons or property, including the unit itself, however caused or any consequential damages arising from the malfunction of the unit and by the purchase of the unit, the purchaser does hereby agree to indemnify and save harmless Danby Products Limited (Canada) or Danby Products Inc. (U.S.A.) from any claim for damages to persons or property caused by the unit.

GENERAL PROVISIONS

No warranty or insurance herein contained or set out shall apply when damage or repair is caused by any of the following:

- 1) Power Failure.
- 2) Damage in transit or when moving the appliance.
- 3) Improper power supply such as low voltage, defective house wiring or inadequate fuses.
- 4) Accident, alteration, abuse or misuse of the appliance such as inadequate air circulation in the room or abnormal operating conditions, (extremely high or low room temperature).
- 5) Use for commercial or industrial purposes.
- 6) Fire, water damage, theft, war, riot, hostility, acts of God such as hurricanes, floods etc.
- 7) Service calls resulting in customer education.

Proof of purchase date will be required for warranty claims; so, please retain bill of sale. In the event warranty service is required, present this document to our AUTHORIZED SERVICE DEPOT or contact Danby at one of the addresses/telephone numbers below.

Please complete and return the enclosed registration card within thirty days for warranty coverage.

Danby Products Limited
PO Box 1776, 5070 Whitehall Road,
Guelph, Ontario, Canada N1H 6Z9
Telephone: (519) 837-9620 FAX: (519) 837-1730

Danby Products Inc.
PO Box 669, 101 Bentley Court,
Findlay, Ohio, U.S.A. 45339-0669
Telephone: (419) 825-8627 FAX: (419) 425-8629

11/97