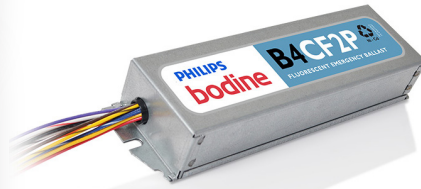




Emergency Ballasts

Compact Fluorescent

B4CF2P / B4CF2PC



Project: \_\_\_\_\_  
Type: \_\_\_\_\_  
Model No: \_\_\_\_\_ Qty: \_\_\_\_\_  
Date: \_\_\_\_\_  
Notes: \_\_\_\_\_

## Specification Grade One- or two-lamp Parallel Operation End-of-Lamp-Life Compatible

Product order number: B4CF2P (galvanized metal case)  
See back page for additional model configurations

### Specifications

**UL LISTED** (LU 924 Emergency Lighting Equipment)  
Factory or Field Installation  
(Damp)

**Illumination Time**  
90 Minutes

**Initial Light Output**  
Up to 925 Lumens @ 25°C

**Full Warranty**  
5 Years (NOT pro-rata)

**Dual Input Voltage**  
120/277 VAC, 60 Hz

**AC Input Current**  
330 mA

**AC Input Power Rating**  
4 Watts

**Test Switch**  
Single Pole

**Battery**  
High-Temperature, Maintenance-Free  
Nickel-Cadmium Battery  
7- to 10-Year Life Expectancy

**Battery Charging Current**  
220 mA

**Recharge Time**  
36 Hours

**Charging Indicator Light**  
LED

**Temperature Rating (Ambient)**  
0°C to +50°C (32°F to +122°F)

**Dimensions**  
B4CF2P (Without Conduit)  
9.4" x 2.6" x 1.5" (238 mm x 66 mm x 38 mm)  
Mounting Center 8.9" (226 mm)

**B4CF2PC (With Conduit)**  
9.9" x 2.6" x 1.5" (251 mm x 66 mm x 38 mm)  
23" (584 mm) of 1/2" Diameter - Flex Conduit  
Mounting Center 9.4" (239 mm)

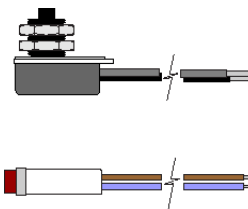
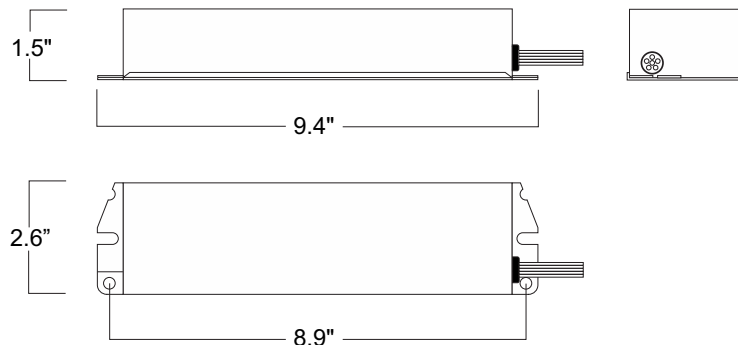
**Weight**  
B4CF2P (Without Conduit) 3.1 lbs. (1.4 kg)  
B4CF2PC (With Conduit) 3.6 lbs. (1.6 kg)

### Benefits:

- Compatible with low-mercury lamps
- End-of-Lamp-Life Compatible

### Dimensions

9.4" x 2.4" x 1.5" (mounting center - 8.9")



A test switch and charging indicator light is provided.



# B4CF2P / B4CF2PC

## Flourescent Emergency Ballast, One- or two-lamp parallel emergency illumination

**Table 1** Lamp Compatibility

LAMP	BASE	WATTAGE	NO. OF LAMPS (EMERGENCY)
TWIN/QUAD/ TRIPLE TWIN/ QUADRUPLE TWIN-TUBE COMPACT	4-PIN (G24q, GX24q)	13-26 W	2
		13-42 W	1
LONG COMPACT	4-PIN (2G11)	18-27 W	2
		18-39 W	1
T5 CIRCLINE	4-PIN (2GX13)	22-40 W	1

**Table 2** Initial Lumen Output

LAMP (4-PIN)	LUMENS	LUMENS
	1 LAMP	2 LAMP
PL-T 42 W/4P, F42TBX, Dulux T/E 42 W	910	x
PL-T 32 W/4P, F32TBX, Dulux T/E 32 W	900	x
PL-T 26 W/4P, F26TBX, Dulux T/E 26 W	800	750
PL-T 18 W/4P, F18TBX, Dulux T/E 18 W	700	700
PL-T 33 W/4P, Energy Advantage	700	x
PL-C 26 W/4P, F26DBX, Dulux D/E 26 W	625	675
PL-C 18 W/4P, F18DBX, Dulux D/E 18 W	550	625
PL-C 13 W/4P, F13DBX, Dulux D/E 13 W	500	625
PL-L 36 W, F39/36BX, Dulux L 36 W	925	x
PL-L 24 W, F27/24BX Dulux L 27 W	625	625

### APPLICATION

The B4CF2P emergency ballast works in conjunction with an AC ballast to convert new or existing fluorescent fixtures into emergency lighting. The emergency lighting equipment consists of a high-temperature nickel-cadmium battery, charger and electronic circuitry in one compact case. The B4CF2P can be used with one 13-42 W or two parallel 13-26 W twin, quad or triple twin-tube lamps, one 18-39 W or two parallel 18-27 W long compact lamps or one 22-40 W T5 circline lamp. It is also compatible with most one-, two-, three- and four-lamp electronic, standard, energy-saving and dimming AC ballasts. The B4CF2P is suitable for indoor and damp locations and for sealed & gasketed fixtures, including fixtures rated for wet locations. The B4CF2PC is suitable for indoor and damp locations. Neither the B4CF2P nor B4CF2PC is suitable for air handling heated air outlets or wet or hazardous locations. For information about specific lamp and ballast compatibility, please call the factory.

### OPERATION

When AC power fails, the B4CF2P immediately switches to the emergency mode, operating one or two lamps in parallel at a reduced lumen output for a minimum of 90 minutes. When AC power is restored, the emergency ballast automatically returns to the charge mode. The emergency ballast, using a patented circuit, delays AC ballast operation for approximately three (3) seconds to prevent false tripping of the AC ballast end-of-lamp-life shutdown circuits.

### INSTALLATION

The B4CF2P does not affect normal fixture operation. It may be used with either a switched or unswitched fixture. If a switched fixture is used, an unswitched hot lead must be connected to the emergency lighting equipment. The emergency ballast must be fed from the same branch circuit as the AC ballast. The B4CF2P may be installed inside or on top of the fixture. The B4CF2PC may be installed on top of or remote from the fixture and has flexible conduit for ease of installation remote from the fixture. The B4CF2PC may be remotely installed up to half the distance the AC ballast manufacturer recommends removing the AC ballast from the lamp or up to 6 feet, whichever is less. For simple visual inspection of the charging indicator light and easy operational testing, the test/monitor plate can be installed near the fixture.

### EMERGENCY ILLUMINATION

Depending upon the number (one or two), wattage and type of lamps selected, the B4CF2P produces up to 925 lumens initial emergency light output (see Table 2) at 25°C. Lumen output is greatly affected by lamp temperature during operation by either the AC or emergency ballast. Please contact factory for specific details. If two-lamp parallel operation is selected, light output is evenly divided between the lamps for better distribution of emergency illumination.

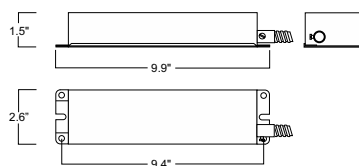
### SPECIFICATION

Emergency lighting shall be provided by using a standard fluorescent fixture equipped with a Philips Bodine emergency ballast. This emergency ballast shall consist of a high-temperature, maintenance-free nickel-cadmium battery, charger and electronic circuitry contained in a metal case (see front page for dimensions). A solid-state charging indicator light to monitor the charger and battery, a single-pole test switch and installation hardware shall be provided. The emergency ballast, using a patented circuit, shall delay AC ballast operation for approximately three (3) seconds to prevent false tripping of AC ballast end-of-lamp-life shutdown circuits. The emergency ballast shall be capable of operating [one or two parallel] \_\_\_\_\_ fluorescent lamps (see Table 1) at \_\_\_\_\_ lumens (see Table 2) initial light output in the emergency mode for a minimum of 90 minutes. The B4CF2P shall be suitable for indoor and damp locations and for sealed & gasketed fixtures, including fixtures rated for wet locations. The B4CF2PC shall be suitable for indoor and damp locations. The storage and operating temperature range for the B4CF2P shall be 0°C to +55°C. The B4CF2P shall have 4 Watts of input power and a 19.2 Watt-hour battery capacity and shall exceed emergency standards set forth by the current NEC. The B4CF2P shall be UL Listed for installation inside or on top of the fixture.

### WARRANTY

Model B4CF2P is warranted for five (5) full years from date of purchase. Please see detailed warranty information on our web site.

#### Optional model: B4CF2PC (with conduit)



B4CF2PC (Metal case, w/conduit)  
Order no. B4CF2PC

© 2016 Philips Lighting Holding B.V. All rights reserved. Philips reserves the right to make changes in specifications and/or to discontinue any product at any time without notice or obligation and will not be liable for any consequences resulting from the use of this publication.



Philips Emergency Lighting  
236 Mt. Pleasant Rd.  
Collierville, TN 38017  
Tech Support: 888.263.4638  
Sales: 800.223.5728