



PROJECT
TYPE
CATALOG #

# 10-CBLED22-30-4K-DMV PREMIUM PERFORMANCE 30 WATT 2x2 CENTER BASKET

## APPLICATIONS

The premium-performance 10-CBLED22 is a 2' x 2' LED center basket luminaire, which offers industry-leading lumens per watt (LPW), and which is DLC Premium Listed. The 10-CBLED22 is designed as a direct replacement for 2' x 2' fluorescent luminaires installed in grid ceilings. It is designed to deliver general ambient lighting in a variety of indoor settings, including schools, offices, hospitals and stores, and is the perfect choice for both new construction and retrofits. This high-efficacy luminaire provides long-life and uniform illumination, as well as standard 0-10vdc dimming capability.

## FEATURES

- Available in 3000k (warm white), 4000k (neutral white) and 5000k (cool white) color temperatures.\*
- Long-life LEDs provide 81,000 hours of operation with at least 70% of initial lumen output (L70).\*\*
- Provides 3,709 luminaire lumens (124 lumens per watt, LPW) at 3000k, 3,766 luminaire lumens (126 LPW) at 4000k, and 3,823 luminaire lumens (128 LPW) at 5000k.\*
- Uniform illumination with no visible LED pixelation.
- Universal 120-277 AC voltage (50-60Hz) is standard.
- 0-10vdc dimming capability is standard.
- Power factor > 0.90.
- Total harmonic distortion < 20%.
- Color rendering index > 80.
- Steel housing and acrylic lens.
- Easy installation in new construction or retrofit. Fits in standard 2' x 2' grid ceilings.
- Standard earthquake clips provide secure installation in grid ceilings.

\*Contact factory for other color temperatures and lumen packages.

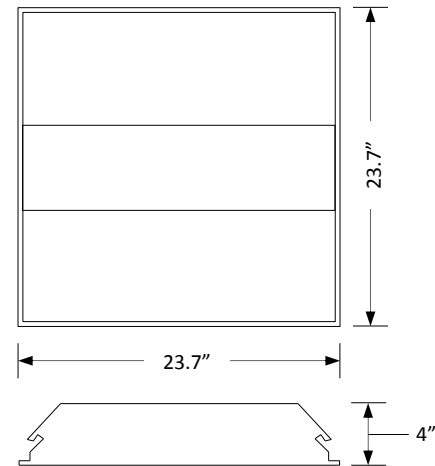
\*\*L70 hours are IES TM-21-11 calculated hours.



## STANDARD



## DIMENSIONS



## WARRANTY/LISTING

- UL listed for damp locations and insulated ceilings (IC-rated) for use in ambient temperatures from -25°C to 50°C (-13°F to 122°F).
- DLC Premium listed.
- Complies with FCC Part 15, class B.
- 5-year warranty of all electronics and housing.

## PRODUCT PARAMETER

MODEL	LUMINAIRE WATTS	LUMINAIRE LUMENS	LUMENS/WATT	COLOR TEMPERATURE	INPUT VOLTAGE	COLOR TEMPERATURE
10-CBLED22-30-3K-DMV	30W	3,709	124	3K = 3000k	MV = Multi-volt (120-277V)	DLCPRM = DLC Premium
10-CBLED22-30-35KDMV	30W	3,709	124	35K = 35000k		
10-CBLED22-30-4K-DMV	30W	3,766	126	4K = 4000k		
10-CBLED22-30-5K-DMV	30W	3,823	128	5K = 5000k		



PROJECT
TYPE
CATALOG #

# 10-CBLED22-30-4K-DMV PREMIUM PERFORMANCE 30 WATT 2x2 CENTER BASKET

## ELECTRICAL DATA

MODEL	COLOR TEMPERATURE	CRI <sup>1</sup>	LUMINAIRE LUMENS	LUMINAIRE WATTS	LUMENS/WATT	INPUT VOLTAGE	INPUT CURRENT (A)			POWER FACTOR	THD <sup>2</sup>	L <sub>70</sub> HOURS <sup>3</sup>
							120V	240V	277V			
10-CBLED22-30-3K-DMV	3000k	>80	3,709	30	124	120-277	0.25	0.13	0.11	>90%	<20%	81,000
10-CBLED22-30-35KDMV	3500k	>80	3,709	30	124	120-277	0.25	0.13	0.11	>90%	<20%	81,000
10-CBLED22-30-4K-DMV	4000k	>80	3,766	30	126	120-277	0.25	0.13	0.11	>90%	<20%	81,000
10-CBLED22-30-5K-DMV	5000k	>80	3,823	30	128	120-277	0.25	0.13	0.11	>90%	<20%	81,000

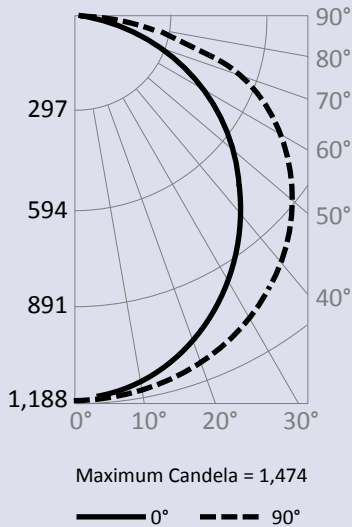
<sup>1</sup> Color rendering index.

<sup>2</sup> Total harmonic distortion.

<sup>3</sup> L<sub>70</sub> refers to the number of hours at which lumen output declines to 70% of the initial level. L<sub>70</sub> hours are IES TM-21-11 calculated hours.

## PHOTOMETRIC DATA

### 10-CBLED22-30-5K-DMV-DLCPRM (3,823 Lumens)



#### Candlepower Summary

	0°	90°
0°	1,180	1,180
10°	1,171	1,164
20°	1,132	1,099
30°	1,067	995
40°	976	854
50°	868	690
60°	736	508
70°	565	315
80°	193	133
90°	0	0

#### Zonal Lumen Summary

Zone	Lumens	% Fixture
0° - 10°	116	3.0%
0° - 20°	450	11.8%
0° - 30°	959	25.1%
0° - 40°	1,582	41.4%
0° - 50°	2,246	58.8%
0° - 60°	2,878	75.3%
0° - 70°	3,408	89.1%
0° - 80°	3,744	97.9%
0° - 90°	3,823	100.0%
90° - 180°	0	0.0%
0° - 180°	3,823	100.0%

#### Cone of Light

