



# Xitanium LED Driver Outdoor Dimmable (US)

## XITANIUM 150W 1.05A 140V 0-10V 120-277V

Xitanium Outdoor LED Drivers are available in wattages from 40W to 150W for hard-wire integration into outdoor luminaires for the most rugged applications. These drivers operate to specification under wide temperature and electrical ranges to ensure reliability. 1-10V dimming enables luminaires to be easily connected to a wide variety of sensors and control systems to facilitate dimming, thus maximizing energy savings.

### Product data

Operating and Electrical		Input Wire Gauge	
Input Frequency	50 to 60 Hz	Input Wire Gauge	18
Total Harmonic Distortion IEC (Max)	20 %	Control Wire Gauge	18
Power Factor 100% Load (Min)	0.95	Output Wire Gauge	18
Output Current (Nom)	1050 mA	Temperature	
Output Current Tolerance (Max)	5 %	T-Case Maximum (Max)	80 °C
Output Current Tolerance (Min)	-5 %	Controls and Dimming	
Input Voltage (AC)	120-277 V	Control Interface	0-10V
Input Power (Nom)	167 W	Dimming Range	100-10 %
Output Power (Nom)	150 W	Approval and Application	
Output Voltage	40-140 V	Overheating Protection	Protected
Wiring		Short Circuit Protection	Self-limited
Control Wire Length	270.0 mm	Over Power Protection	Protected
Primary Fusing	Fused	Open Circuit Protection	Protected
Secondary Fusing	None Required		

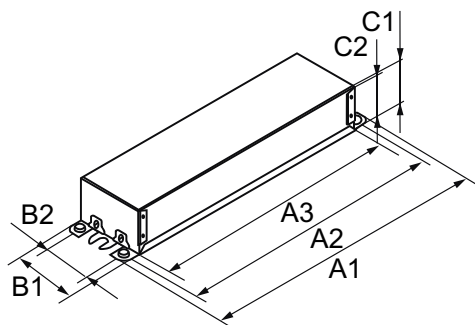
## Xitanium LED Driver Outdoor Dimmable (US)

EMI Standard	FCC 47 part 15; Class A
Environmental Standard	UL Damp & Dry
Approbation Marks	RoHS compliance UL certificate CSA certificate
Output Insulation	Yes

Product Data	
Order product name	XITANIUM 150W 1.05A 140V 0-10V 120-277V
EAN/UPC - Product	781087135723

Order code	929000722913
Numerator - Quantity Per Pack	1
Numerator - Packs per outer box	10
Material Nr. (12NC)	929000722913
Net Weight (Piece)	1.257 kg

### Dimensional drawing



Xitanium 150W 1.05A 140V 0-10V 120-277V

Product	D1	B2	C1	C2	A1	A2	B1
XITANIUM 150W	4.8	42.9	39.7	37.7	240.5	241.5	59.1
1.05A 140V 0-10V	mm	mm	mm	mm	mm	mm	mm
120-277V							

