



VESTEL UHM Series Ultra HD 4K

55", 65", and 65" (*)

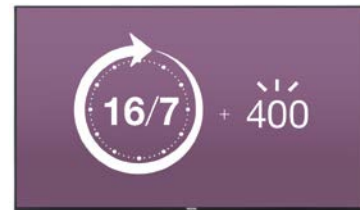
Offering a SoC based solution, our UH Series ensures high connectivity as well as life-like picture quality, providing the perfect solution for any application where exceptional resolution is required.

* There are 2 products, having 400 Nits and 540 Nits in 65".



SoC Content Management

Designed with quad core SoC technology (System on Chip), these displays can be used as digital signage monitors for both offline and cloud-based managed content. This means that you can rely on various content management systems to help display your advertising.



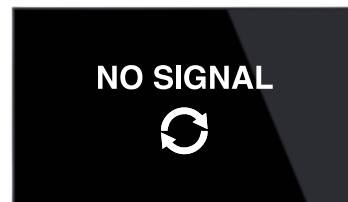
Operation Time Support / Brightness Level

Professional panels used for this series are quality confirmed to operate 16 hours a day without any issues. Offering virtually limitless operation, these high quality screens come with brightness levels of 400 Nits, which make them ideal for harshly lit environments.



4K Performance

Especially designed to support 4K resolution, these panels enable more information to be displayed at a glance. Experience 4K content via USB, HDMI, DVI and Display Ports as well as 4K supporting pluggable computers (OPS). Ideal for any graphics-based advertising, this series can make any on-screen content appear tantalisingly real.



Signal Failover

In the event of a "No signal scenario", you can count on our SoC software to keep your content on display. If the USB accidentally unplugs, the display will either show your customized banner or search for another signal from other sources.

Subtle Design

Making your advertising the focus of attention, these displays are designed with minimalist, ultra-narrow bezels – the slimmest in our range. Offering a digital signage specific design, they also offer an internal USB cover and OPS-slot as well as a detachable power plug, carrying handles and an IR extender.

USB Security

Secured within a screw-fixed back cover, your USB and your content will always remain intact and free from any unwanted tampering.

Touch Support

Our high clarity Infrared (IR) touch screens are compatible with this series. Designed for user-friendliness, these interactive smart displays can be used with gloved or wet hands. They can also offer longer-lasting operation, requiring no pressure to be applied, in order to make them touch-responsive. Furthermore, the design makes it easy for anyone to overlay the touch screen on the display.

Pixel Shifting

With our Pixel Shifting feature, you can reduce the risk of any on-screen image ever sticking. Designed to move the entire video frame periodically, Pixel Shifting keeps your content rolling.

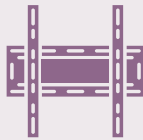
Components



Quick start guide



Instruction manual



Wall mounting kit



IR extender

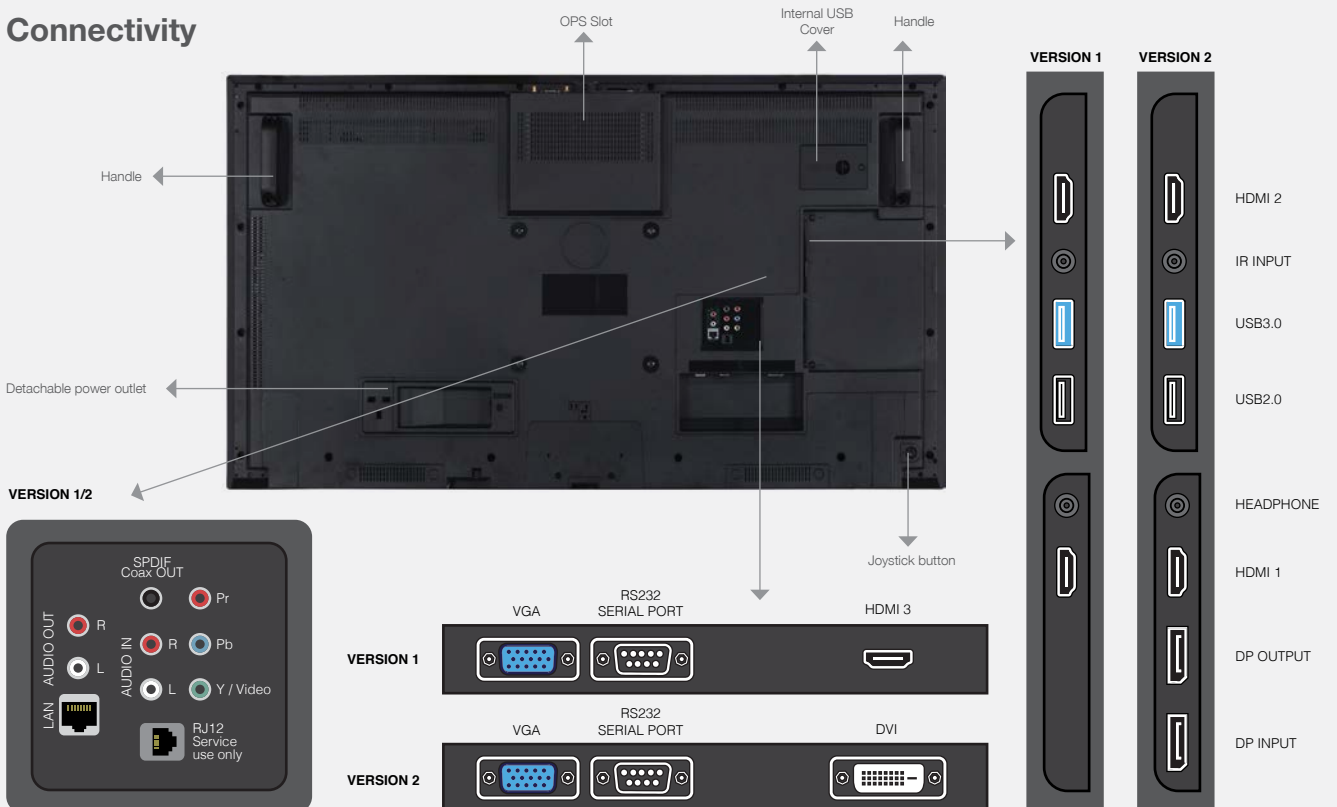


Batteries for remote controllers



Remote controller

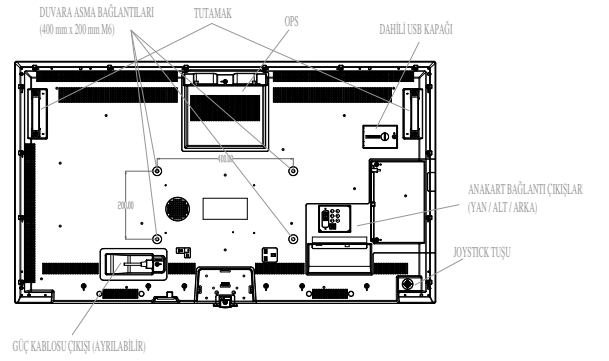
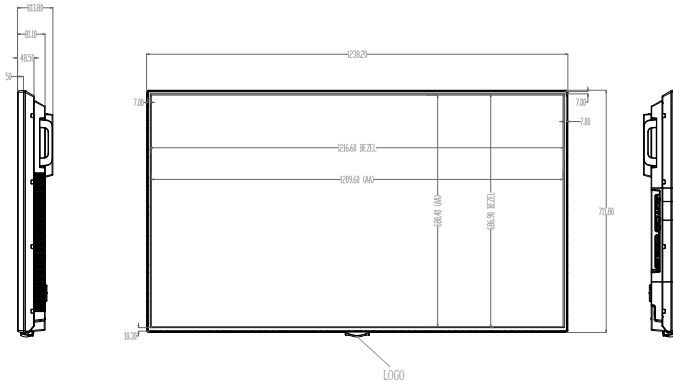
Connectivity



	UHM55UG02	UHM65UG02	UHH65UG12
Panel			
Mainboard Model	System-On-Chip Model: 17MB120DS	System-On-Chip Model: 17MB120DS	System-On-Chip Model: 18MB120DS
H-Freq	67.5 KHz	67.5 KHz	67.5 KHz
Max. Pixel Freq.	74.25 MHz	74.25 MHz	74.25 MHz
V-Freq	60 Hz	60 Hz	60 Hz
Size	55"	65"	65"
Backlight Type	DLED	DLED	DLED
Panel Technology	IPS	IPS	IPS
Panel Type	16/7 Panel	16/7 Panel	16/7 Panel M+
Front Type	Ultra Narrow Bezel	Ultra Narrow Bezel	Ultra Narrow Bezel
Orientation	Horizontal	Horizontal	Horizontal
Resolution	3840 x 2160 (16:9) - UHD	3840 x 2160 (16:9) - UHD	3840 x 2160 (16:9) - UHD
Active Area	1210 mm (H) x 681 mm (V)	1429 mm (H) x 804 mm (V)	1429 mm (H) x 804 mm (V)
Brightness (Typ.)	400 cd/m2	400 cd/m2	700 cd/m2
Contrast Ratio (Typ.)	1200	1200	1200
Panel life time (Min. / Typ.)	30000 / 50000 Hr	30000 / 50000 Hr	30000 / 50000 Hr
Viewing Angle	178°	178°	178°
Response Time	9 ms	9 ms	9 ms
Color Value	8 Bit, 16.7 M Colors	8 Bit, 16.7 M Colors	8 Bit, 16.7 M Colors
Areas of Usage	Indoor	Indoor	Indoor
Monitor Connectivity			
RGB Input	Dsub 15 PIN VGA CON., YPbPr	Dsub 15 PIN VGA CON., YPbPr	Dsub 15 PIN VGA CON., YPbPr
RGB Output	N/A	N/A	N/A
VIDEO Input	2xHDMI2.0, DP1.2a, DVI, 1xUSB3.0, 1xUSB2.0	2xHDMI2.0, DP1.2a, DVI, 1xUSB3.0, 1xUSB2.0	2xHDMI2.0, DP1.2a, DVI, 1xUSB3.0, 1xUSB2.0
VIDEO Output	DP1.2a	DP1.2a	DP1.2a
AUDIO Input	LINE IN JACK	LINE IN JACK	LINE IN JACK
AUDIO Output	LINE OUT JACK	LINE OUT JACK	LINE OUT JACK
External Control	RS232(DSUB 9P), RJ12, Ethernet	RS232(DSUB 9P), RJ12, Ethernet	RS232(DSUB 9P), RJ12, Ethernet
External Sensor	N/A	N/A	N/A
Mechanical Features			
Size	1238mm (L) x 712mm (H) x 104mm (D)	1459mm (L) x 841mm (H) x 96mm (D)	1459mm (L) x 841mm (H) x 96mm (D)
Shipping Size	1369mm (L) x 874mm (H) x 165mm (D)	1620mm (L) x 1006mm (H) x 190mm (D)	1620mm (L) x 1006mm (H) x 190mm (D)
Weight	17.5 KG	22.5 KG	22.5 KG
Shipping Weight	22 KG	27 KG	27 KG
Vesa Mounting Size	400 mm(H)x 200 mm(V) M6	400 mm(H)x 400 mm(V) M6	400 mm(H)x 400 mm(V) M6
Bezel Width(Bottom-Side-Top)	14 mm / 11 mm / 11 mm	21 mm / 15 mm / 15 mm	21 mm / 15 mm / 15 mm
Working Conditions			
Temperature Conditions	+40°C / 0°C	+40°C / 0°C	+40°C / 0°C
Humidity	90%	90%	90%
Features			
Main Features	Open Content Management Support, Scheduler, USB-Autoplay, Auto-Launch, HDMI-CEC, HDMI-Hotplug, Auto-switch on Failover, Panel Lock	Open Content Management Support, Scheduler, USB-Autoplay, Auto-Launch, HDMI-CEC, HDMI-Hotplug, Auto-switch on Failover, Panel Lock	Open Content Management Support, Scheduler, USB-Autoplay, Auto-Launch, HDMI-CEC, HDMI-Hotplug, Auto-switch on Failover, Panel Lock
Mechanical Features	Joystick, IR Extender Support, Rocker Switch, Detachable power cable, Carrying slots, Detachable logo positioning, Internal usb cover, Cable Holder	Joystick, IR Extender Support, Rocker Switch, Detachable power cable, Carrying slots, Detachable logo positioning, Internal usb cover, Cable Holder	Joystick, IR Extender Support, Rocker Switch, Detachable power cable, Carrying slots, Detachable logo positioning, Internal usb cover, Cable Holder
Optional Features	OPS Compliance, IR Overlay Touch Compliance	OPS Compliance, IR Overlay Touch Compliance	OPS Compliance, IR Overlay Touch Compliance
Speaker	2 x 8 W	2 x 8 W	2 x 8 W
Power			
Power Supply	110 VAC - 240 VAC	110 VAC - 240 VAC	110 VAC - 240 VAC
Power Consumption(Off)	≤0.5W	≤0.5W	≤0.5W
Power Consumption(Active-StandBy)	14 W	14 W	14 W
Power Consumption(On)	54 W	74 W	74 W
Accessory			
Standard	QSG, Warranty Card, IB, Power Cord, Remote Control, RC Battery, Mounting Kit, Extension Brackets, IR Extender Cable	QSG, Warranty Card, IB, Power Cord, Remote Control, RC Battery, Mounting Kit, Extension Brackets, IR Extender Cable	QSG, Warranty Card, IB, Power Cord, Remote Control, RC Battery, Mounting Kit, Extension Brackets, IR Extender Cable
Certification			
Safety Approval	✓	✓	✓
CB	✓	✓	✓
S-MARK	✓	✓	✓
EMC Approval	✓	✓	✓
CE	✓	✓	✓
Reliability Approval	✓	✓	✓



55"



65"

