



System x3650 M2 Type 7947

Installation and User's Guide

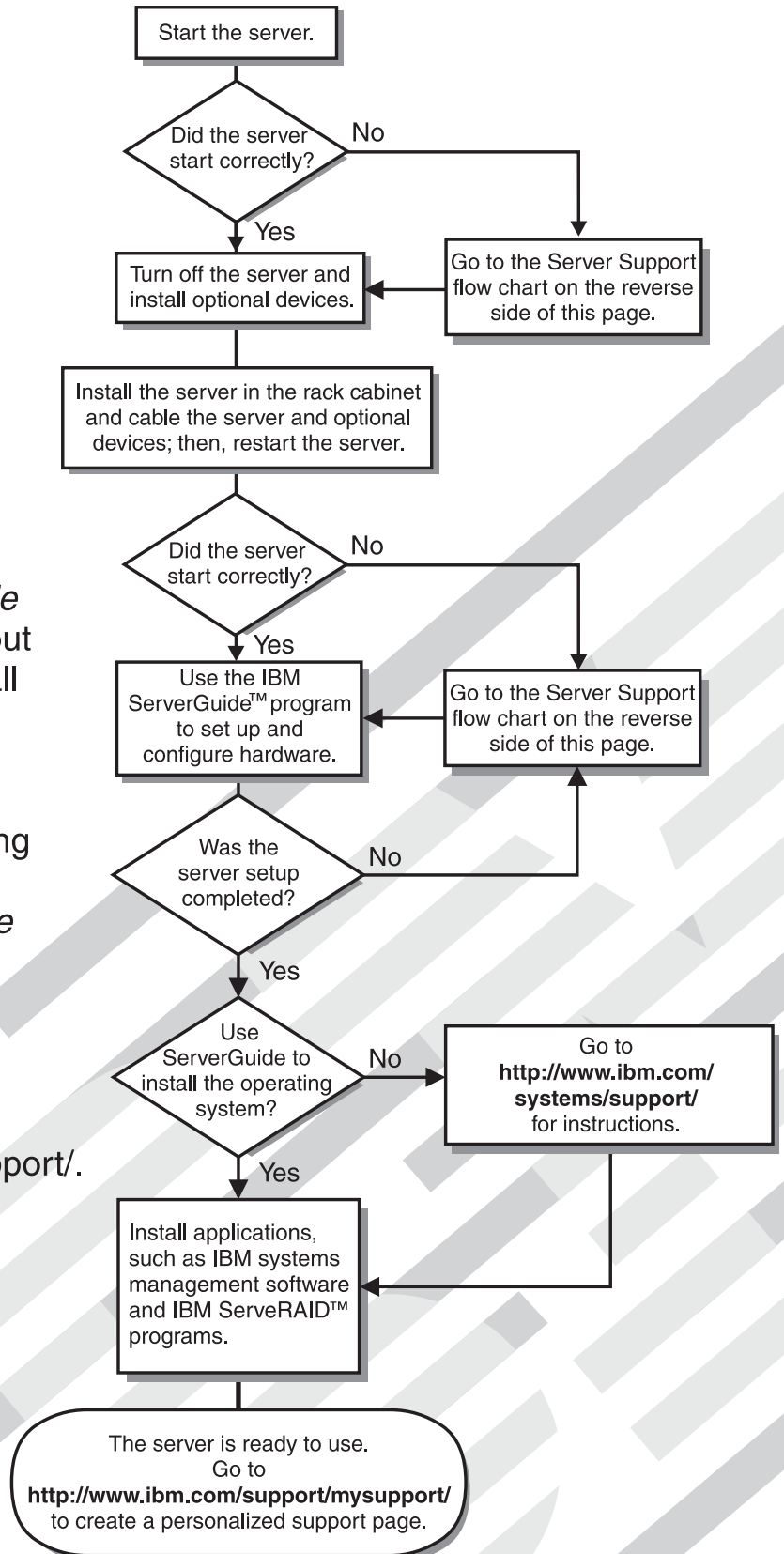
Welcome.

Your server is based on the IBM X-Architecture technology, and it features superior performance, availability, and affordability.

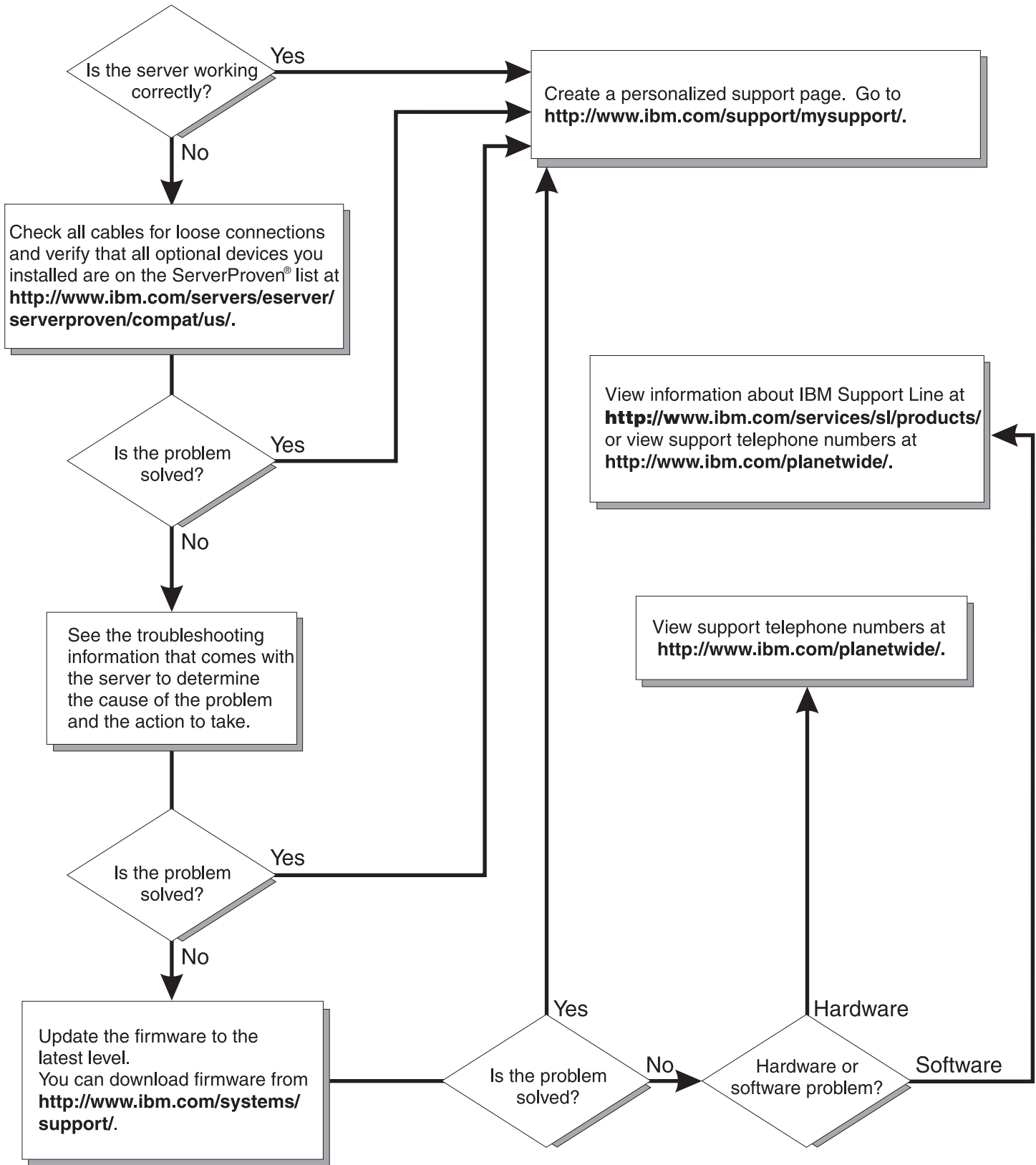
This *Installation and User's Guide* contains general information about the server, including how to install optional devices and how to configure the server.

For diagnostic and troubleshooting information, see the *Problem Determination and Service Guide* that is on the IBM System X Documentation CD.

You can find the most current information about your server at <http://www.ibm.com/systems/support/>.



Server Support



System x3650 M2 Type 7947



Installation and User's Guide

Note: Before using this information and the product it supports, read the information in Appendix B, "Notices," on page 133, and the *IBM Safety Information, Environmental Notices and User Guide*, and the *Warranty and Support Information* documents on the *Documentation CD*.

Sixth Edition (January 2010)

© Copyright International Business Machines Corporation 2010.

US Government Users Restricted Rights – Use, duplication or disclosure restricted by GSA ADP Schedule Contract with IBM Corp.

Contents

Safety	vii
Chapter 1. The System x3650 M2 Type 7947 server	1
The IBM Documentation CD	3
Hardware and software requirements	3
Using the Documentation Browser	3
Related documentation	4
Notices and statements in this document	6
Features and specifications	6
What your server offers	8
Reliability, availability, and serviceability features	11
IBM Systems Director	12
The UpdateXpress System Pack Installer	13
Server controls, LEDs, and power	13
Front view	14
Rear view	17
Server power features	20
Chapter 2. Installing optional devices	23
Server components	23
System-board internal connectors	24
System-board external connectors	25
System-board switches and jumpers	26
System-board LEDs	32
SAS riser-card connectors and LEDs	34
PCI riser-card adapter connectors	35
PCI riser-card assembly LEDs	35
Installation guidelines	36
System reliability guidelines	37
Working inside the server with the power on	37
Handling static-sensitive devices	38
Internal cable routing and connectors	39
Removing the cover	43
Removing a PCI riser-card assembly	44
Installing a PCI riser-card assembly	45
Removing the microprocessor 2 air baffle	46
Installing the microprocessor 2 air baffle	47
Removing the DIMM air baffle	48
Installing the DIMM air baffle	49
Installing the full-length-adapter bracket	50
Storing the full-length-adapter bracket	50
Installing a PCI adapter	51
Removing a PCI adapter	54
Installing an IBM Virtual Media Key	55
Installing a hard disk drive	56
Removing a hard disk drive	58
Installing a simple-swap hard disk drive	58
Removing a simple-swap hard disk drive	60
Installing an optional tape drive	60
Installing a SAS/SATA 4 Pac HDD option	63
Installing a second microprocessor	76
Thermal grease	80
Installing a memory module	81

DIMM installation sequence	83
Memory mirroring	83
Installing a DIMM	85
Installing a hot-swap power supply	87
Removing a hot-swap fan	89
Installing a hot-swap fan	90
Removing the SAS riser-card and controller assembly	91
Installing the SAS riser-card and controller assembly	92
Removing a ServeRAID SAS controller from the SAS riser card	93
Installing a ServeRAID SAS controller on the SAS riser card	94
Installing a ServeRAID SAS controller battery on the remote battery tray	96
Moving the SAS controller retention bracket	101
Installing a USB hypervisor memory key	103
Removing a USB hypervisor memory key	104
Installing an Ethernet adapter	105
Installing an optional CD-RW/DVD drive	105
Completing the installation	106
Replacing the server cover	107
Connecting the external cables	108
Updating the server configuration.	109
Chapter 3. Configuring the server	111
Using the Setup utility	112
Starting the Setup utility	112
Setup utility menu choices	113
Passwords	116
Using the Boot Selection Menu program	119
Starting the backup server firmware	119
Using the ServerGuide Setup and Installation CD	119
ServerGuide features	120
Setup and configuration overview	120
Typical operating-system installation	121
Installing your operating system without using ServerGuide	121
Using the integrated management module	121
Using the USB memory key for VMware hypervisor	123
Using the remote presence capability and blue-screen capture	123
Enabling the remote presence feature	124
Obtaining the IP address for the Web interface access	124
Logging on to the Web interface	125
Enabling the Broadcom Gigabit Ethernet Utility program	125
Configuring the Gigabit Ethernet controller	125
Using the LSI Configuration Utility program	126
Starting the LSI Configuration Utility program	127
Formatting a hard disk drive	127
Creating a RAID array of hard disk drives	127
IBM Advanced Settings Utility program.	128
Updating IBM Systems Director	128
Appendix A. Getting help and technical assistance	131
Before you call	131
Using the documentation	131
Getting help and information from the World Wide Web	131
Software service and support	132
Hardware service and support	132
IBM Taiwan product service	132

Appendix B. Notices	133
Trademarks.	133
Important notes	134
Particulate contamination.	135
Product recycling and disposal	135
Battery return program	137
Documentation format	138
Electronic emission notices	139
Federal Communications Commission (FCC) statement	139
Industry Canada Class A emission compliance statement	139
Avis de conformité à la réglementation d'Industrie Canada	139
Australia and New Zealand Class A statement	139
United Kingdom telecommunications safety requirement	139
European Union EMC Directive conformance statement	139
Taiwanese Class A warning statement	140
Germany Electromagnetic Compatibility Directive	140
People's Republic of China Class A warning statement.	141
Japanese Voluntary Control Council for Interference (VCCI) statement	141
Korean Class A warning statement	141
Index	143

Safety

Before installing this product, read the Safety Information.

قبل تركيب هذا المنتج، يجب قراءة الملاحظات الأمنية

Antes de instalar este produto, leia as Informações de Segurança.

在安装本产品之前，请仔细阅读 **Safety Information** (安全信息)。

安裝本產品之前，請先閱讀「安全資訊」。

Prije instalacije ovog produkta obavezno pročitajte Sigurnosne Upute.

Před instalací tohoto produktu si přečtěte příručku bezpečnostních instrukcí.

Læs sikkerhedsforskrifterne, før du installerer dette produkt.

Lees voordat u dit product installeert eerst de veiligheidsvoorschriften.

Ennen kuin asennat tämän tuotteen, lue turvaohjeet kohdasta Safety Information.

Avant d'installer ce produit, lisez les consignes de sécurité.

Vor der Installation dieses Produkts die Sicherheitshinweise lesen.

Πριν εγκαταστήσετε το προϊόν αυτό, διαβάστε τις πληροφορίες ασφαλείας (safety information).

לפני שתתקינו מוצר זה, קראו את הוראות הבטיחות.

A termék telepítése előtt olvassa el a Biztonsági előírásokat!

Prima di installare questo prodotto, leggere le Informazioni sulla Sicurezza.

製品の設置の前に、安全情報をお読みください。

본 제품을 설치하기 전에 안전 정보를 읽으십시오.

Пред да се инсталира овој продукт, прочитајте информацијата за безбедност.

Les sikkerhetsinformasjonen (Safety Information) før du installerer dette produktet.

Przed zainstalowaniem tego produktu, należy zapoznać się z książką "Informacje dotyczące bezpieczeństwa" (Safety Information).

Antes de instalar este produto, leia as Informações sobre Segurança.

Перед установкой продукта прочтите инструкции по технике безопасности.

Pred inštaláciou tohto zariadenia si pečítajte Bezpečnostné predpisy.

Pred namestitvijo tega proizvoda preberite Varnostne informacije.

Antes de instalar este producto, lea la información de seguridad.

Läs säkerhetsinformationen innan du installerar den här produkten.

Important:

Each caution and danger statement in this document is labeled with a number. This number is used to cross reference an English-language caution or danger statement with translated versions of the caution or danger statement in the *Safety Information* document.

For example, if a caution statement is labeled “Statement 1,” translations for that caution statement are in the *Safety Information* document under “Statement 1.”

Be sure to read all caution and danger statements in this document before you perform the procedures. Read any additional safety information that comes with the server or optional device before you install the device.

Attention: Use No. 26 AWG or larger UL-listed or CSA certified telecommunication line cord.

Statement 1:



DANGER

Electrical current from power, telephone, and communication cables is hazardous.

To avoid a shock hazard:

- **Do not connect or disconnect any cables or perform installation, maintenance, or reconfiguration of this product during an electrical storm.**
- **Connect all power cords to a properly wired and grounded electrical outlet.**
- **Connect to properly wired outlets any equipment that will be attached to this product.**
- **When possible, use one hand only to connect or disconnect signal cables.**
- **Never turn on any equipment when there is evidence of fire, water, or structural damage.**
- **Disconnect the attached power cords, telecommunications systems, networks, and modems before you open the device covers, unless instructed otherwise in the installation and configuration procedures.**
- **Connect and disconnect cables as described in the following table when installing, moving, or opening covers on this product or attached devices.**

To Connect:

1. Turn everything OFF.
2. First, attach all cables to devices.
3. Attach signal cables to connectors.
4. Attach power cords to outlet.
5. Turn device ON.

To Disconnect:

1. Turn everything OFF.
2. First, remove power cords from outlet.
3. Remove signal cables from connectors.
4. Remove all cables from devices.

Statement 2:



CAUTION:

When replacing the lithium battery, use only IBM Part Number 33F8354 or an equivalent type battery recommended by the manufacturer. If your system has a module containing a lithium battery, replace it only with the same module type made by the same manufacturer. The battery contains lithium and can explode if not properly used, handled, or disposed of.

Do not:

- **Throw or immerse into water**
- **Heat to more than 100°C (212°F)**
- **Repair or disassemble**

Dispose of the battery as required by local ordinances or regulations.

Statement 3:



CAUTION:

When laser products (such as CD-ROMs, DVD drives, fiber optic devices, or transmitters) are installed, note the following:

- Do not remove the covers. Removing the covers of the laser product could result in exposure to hazardous laser radiation. There are no serviceable parts inside the device.
- Use of controls or adjustments or performance of procedures other than those specified herein might result in hazardous radiation exposure.



DANGER

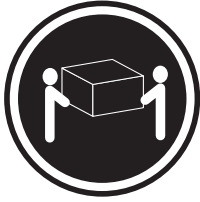
Some laser products contain an embedded Class 3A or Class 3B laser diode. Note the following.

Laser radiation when open. Do not stare into the beam, do not view directly with optical instruments, and avoid direct exposure to the beam.



Class 1 Laser Product
Laser Klasse 1
Laser Klass 1
Luokan 1 Laserlaite
Appareil À Laser de Classe 1

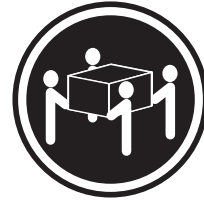
Statement 4:



≥ 18 kg (39.7 lb)



≥ 32 kg (70.5 lb)



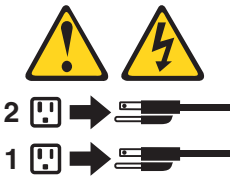
≥ 55 kg (121.2 lb)

CAUTION:
Use safe practices when lifting.

Statement 5:



CAUTION:
The power control button on the device and the power switch on the power supply do not turn off the electrical current supplied to the device. The device also might have more than one power cord. To remove all electrical current from the device, ensure that all power cords are disconnected from the power source.



Statement 8:



CAUTION:

Never remove the cover on a power supply or any part that has the following label attached.



Hazardous voltage, current, and energy levels are present inside any component that has this label attached. There are no serviceable parts inside these components. If you suspect a problem with one of these parts, contact a service technician.

Statement 12:



CAUTION:

The following label indicates a hot surface nearby.



Statement 26:



CAUTION:

Do not place any object on top of rack-mounted devices.



This server is suitable for use on an IT power-distribution system whose maximum phase-to-phase voltage is 240 V under any distribution fault condition.

Important: This product is not suitable for use with visual display workplace devices according to Clause 2 of the German Ordinance for Work with Visual Display Units.

Chapter 1. The System x3650 M2 Type 7947 server

This *Installation and User's Guide* contains instructions for setting up your IBM® System x3650 M2 Type 7947 server, instructions for installing optional devices, and instructions for starting and configuring the server. For diagnostic and troubleshooting information, see the *Problem Determination and Service Guide* that is on the IBM *Documentation CD*.

The IBM System x3650 M2 Type 7947 server is a 2-U¹-high server that is ideally suited for networking environments that require superior microprocessor performance, efficient memory management, and flexibility.

Performance, ease of use, reliability, and expansion capabilities were key considerations in the design of the server. These design features make it possible for you to customize the system hardware to meet your needs today and provide flexible expansion capabilities for the future.

The server comes with a limited warranty. For information about the terms of the warranty and getting service and assistance, see the *Warranty and Support Information* document on the IBM *Documentation CD*.

The server contains IBM Enterprise X-Architecture® technologies, which help increase performance and reliability. For more information, see “What your server offers” on page 8 and “Reliability, availability, and serviceability features” on page 11.

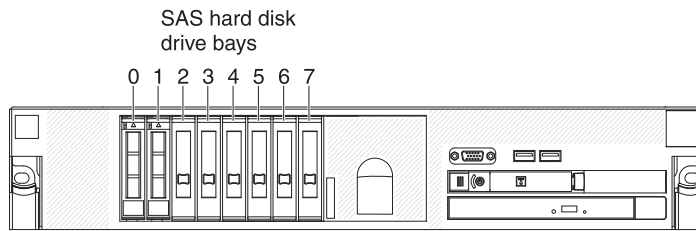
You can obtain up-to-date information about the server and other IBM server products at <http://www.ibm.com/systems/x/>. At <http://www.ibm.com/support/mysupport/>, you can create a personalized support page by identifying IBM products that are of interest to you. From this personalized page, you can subscribe to weekly e-mail notifications about new technical documents, search for information and downloads, and access various administrative services.

If you participate in the IBM client reference program, you can share information about your use of technology, best practices, and innovative solutions; build a professional network; and gain visibility for your business. For more information about the IBM client reference program, see <http://www.ibm.com/ibm/clientreference/>.

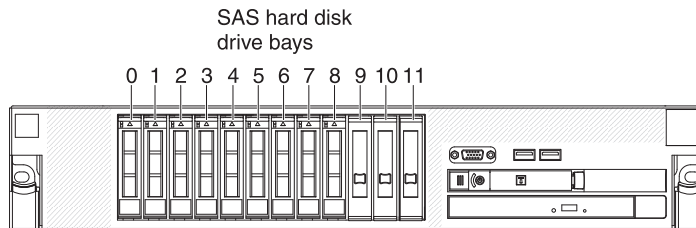
The server comes with eight 2.5-inch SAS hot-swap hard disk drive bays. Most models contain a ServeRAID SAS controller and are capable of expansion to twelve 2.5-inch SAS hot-swap hard disk drive bays.

1. Racks are measured in vertical increments of 1.75 inches each. Each increment is called a “U”. A 1-U-high device is 1.75 inches tall.

The following illustration shows a server with eight SAS hard disk drive bays.



You can purchase an optional kit to install the four additional SAS hard disk drive bays.



The SAS ID for each bay is printed on the server front, above each bay.

If firmware and documentation updates are available, you can download them from the IBM Web site. The server might have features that are not described in the documentation that comes with the server, and the documentation might be updated occasionally to include information about those features, or technical updates might be available to provide additional information that is not included in the server documentation. To check for updates, complete the following steps.

Note: Changes are made periodically to the IBM Web site. Procedures for locating firmware and documentation might vary slightly from what is described in this document.

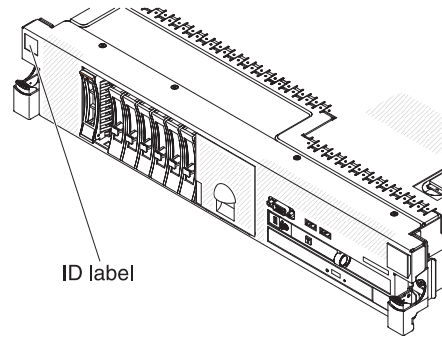
1. Go to <http://www.ibm.com/systems/support/>.
2. Under **Product support**, click **System x**.
3. Under **Popular links**, click **Software and device drivers** for firmware updates, or click **Publications lookup** for documentation updates.

Record information about the server in the following table.

Product name	IBM System x3650 M2 server
Machine type	7947
Model number	_____
Serial number	_____

The model number and serial number are on the ID label on the bezel, as shown in the following illustration.

Note: The illustrations in this document might differ slightly from your hardware.



You can download an IBM *ServerGuide Setup and Installation* CD to help you configure the hardware, install device drivers, and install the operating system. For more information, see “Using the ServerGuide Setup and Installation CD” on page 119.

For a list of supported optional devices for the server, see <http://www.ibm.com/servers/eserver/serverproven/compat/us/>.

See the *Rack Installation Instructions* document on the IBM *Documentation CD* for complete rack installation and removal instructions.

The IBM Documentation CD

The IBM *Documentation CD* contains documentation for your server in Portable Document Format (PDF) and includes the IBM Documentation Browser to help you find information quickly.

Hardware and software requirements

The IBM *Documentation CD* requires the following minimum hardware and software:

- Microsoft® Windows® XP, Windows 2000, or Red Hat Linux®
- 100 MHz microprocessor
- 32 MB of RAM
- Adobe® Acrobat Reader 3.0 (or later) or xpdf, which comes with Linux operating systems

Using the Documentation Browser

Use the Documentation Browser to browse the contents of the CD, read brief descriptions of the documents, and view documents, using Adobe Acrobat Reader or xpdf. The Documentation Browser automatically detects the regional settings in use in your server and displays the documents in the language for that region (if available). If a document is not available in the language for that region, the English-language version is displayed.

Use one of the following procedures to start the Documentation Browser:

- If Autostart is enabled, insert the CD into the CD or DVD drive. The Documentation Browser starts automatically.

- If Autostart is disabled or is not enabled for all users, use one of the following procedures:
 - If you are using a Windows operating system, insert the CD into the CD or DVD drive and click **Start --> Run**. In the **Open** field, type
`e:\win32.bat`

where *e* is the drive letter of the CD or DVD drive, and click **OK**.
 - If you are using Red Hat Linux, insert the CD into the CD or DVD drive; then, run the following command from the `/mnt/cdrom` directory:
`sh runlinux.sh`

Select your server from the **Product** menu. The **Available Topics** list displays all the documents for your server. Some documents might be in folders. A plus sign (+) indicates each folder or document that has additional documents under it. Click the plus sign to display the additional documents.

When you select a document, a description of the document appears under **Topic Description**. To select more than one document, press and hold the Ctrl key while you select the documents. Click **View Book** to view the selected document or documents in Acrobat Reader or xpdf. If you selected more than one document, all the selected documents are opened in Acrobat Reader or xpdf.

To search all the documents, type a word or word string in the **Search** field and click **Search**. The documents in which the word or word string appears are listed in order of the most occurrences. Click a document to view it, and press Ctrl+F to use the Acrobat search function, or press Alt+F to use the xpdf search function within the document.

Click **Help** for detailed information about using the Documentation Browser.

Related documentation

This *Installation and User's Guide* contains general information about the server, including how to set up the server, how to install supported optional devices, and how to configure the server. The following documentation also comes with the server:

- *Warranty and Support Information*
This document is in Portable Document Format (PDF) on the IBM *Documentation* CD. It contains information about the terms of the warranty and getting service and assistance.
- *Safety Information*
This document is in PDF on the IBM *Documentation* CD. It contains translated caution and danger statements. Each caution and danger statement that appears in the documentation has a number that you can use to locate the corresponding statement in your language in the *Safety Information* document.
- *Rack Installation Instructions*
This printed document contains instructions for installing the server in a rack.
- *Problem Determination and Service Guide*
This document is in PDF on the IBM *Documentation* CD. It contains information to help you solve problems yourself, and it contains information for service technicians.

- *Environmental Notices and User Guide*

This document is in PDF on the IBM *Documentation CD*. It contains translated environmental notices.

- *IBM License Agreement for Machine Code*

This document is in PDF on the IBM *Documentation CD*. It provides translated versions of the *IBM License Agreement for Machine Code* for your product.

- *IBM MCP Linux License Information and Attributions*

This document is in PDF on the IBM *Documentation CD*. It provides information about the open-source notices.

Depending on the server model, additional documentation might be included on the IBM *Documentation CD*.

The System x[®] and xSeries[®] Tools Center is an online information center that contains information about tools for updating, managing, and deploying firmware, device drivers, and operating systems. The System x and xSeries Tools Center is at <http://publib.boulder.ibm.com/infocenter/toolsctr/v1r0/index.jsp>.

The server might have features that are not described in the documentation that comes with the server. The documentation might be updated occasionally to include information about those features, or technical updates might be available to provide additional information that is not included in the server documentation. These updates are available from the IBM Web site. To check for updated documentation and technical updates, complete the following steps.

Note: Changes are made periodically to the IBM Web site. The actual procedure might vary slightly from what is described in this document.

1. Go to <http://www.ibm.com/systems/support/>.
2. Under **Product support**, click **System x**.
3. Under **Popular links**, click **Publications lookup**.
4. From the **Product family** menu, select **System x3650 M2** and click **Continue**.

Notices and statements in this document

The caution and danger statements in this document are also in the multilingual *Safety Information* document, which is on the *Documentation* CD. Each statement is numbered for reference to the corresponding statement in your language in the *Safety Information* document.

The following notices and statements are used in this document:

- **Note:** These notices provide important tips, guidance, or advice.
- **Important:** These notices provide information or advice that might help you avoid inconvenient or problem situations.
- **Attention:** These notices indicate potential damage to programs, devices, or data. An attention notice is placed just before the instruction or situation in which damage might occur.
- **Caution:** These statements indicate situations that can be potentially hazardous to you. A caution statement is placed just before the description of a potentially hazardous procedure step or situation.
- **Danger:** These statements indicate situations that can be potentially lethal or extremely hazardous to you. A danger statement is placed just before the description of a potentially lethal or extremely hazardous procedure step or situation.

Features and specifications

The following information is a summary of the features and specifications of the server. Depending on the model, some features might not be available, or some specifications might not apply.

Racks are marked in vertical increments of 4.45 cm (1.75 inches). Each increment is referred to as a unit, or "U." A 1-U-high device is 1.75 inches tall.

Notes:

1. Power consumption and heat output vary depending on the number and type of optional features that are installed and the power-management optional features that are in use.
2. The sound levels were measured in controlled acoustical environments according to the procedures specified by the American National Standards Institute (ANSI) S12.10 and ISO 7779 and are reported in accordance with ISO 9296. Actual sound-pressure levels in a given location might exceed the average values stated because of room reflections and other nearby noise sources. The declared sound-power levels indicate an upper limit, below which a large number of computers will operate.

Table 1. Features and specifications

<p>Microprocessor:</p> <ul style="list-style-type: none"> • Dual-core or quad-core Intel® Xeon, with integrated memory controller and Quick Path Interconnect (QPI) architecture • Designed for LGA 1366 socket • Scalable up to four cores • 32 KB instruction cache, 32 KB data cache, and 8 MB cache that is shared among the cores • Support for up to two microprocessors • Support for Intel Extended Memory 64 Technology (EM64T) <p>Note:</p> <ul style="list-style-type: none"> • Use the Setup utility to determine the type and speed of the microprocessors. • For a list of supported microprocessors, see http://www.ibm.com/servers/eserver/serverproven/compat/us/. <p>Memory:</p> <ul style="list-style-type: none"> • Sixteen DIMM connectors (eight per microprocessor) • Minimum: 1 GB DIMM per microprocessor • Maximum: 128 GB (when 8 GB DIMMs are available) • Type: PC3-10600-999 (single-rank or double-rank) 800, 1067, and 1333 MHz, ECC, DDR3 registered SDRAM DIMMs only • Sizes: 1 GB single-rank, 2 GB single-rank or dual-rank, 4 GB dual-rank (PC3-10600R-999), 8 GB dual-rank (when available) • Chipkill supported <p>Drives: CD/DVD (optional) : SATA interface 24x CD-RW/ 8x DVD combination (some models only)</p> <p>Expansion bays (depending on the model):</p> <ul style="list-style-type: none"> • Eight 2.5-inch SAS hot-swap bays for hard disk drive bays with option to add four more 2.5-inch SAS hot-swap hard disk drive bays • Four 2.5-inch simple-swap, solid state SATA hard disk drive bays <p>Expansion slots:</p> <ul style="list-style-type: none"> • Two PCI Express riser cards with two PCI Express x8 slots (x8 lanes) each, standard • Support for the following optional riser cards: <ul style="list-style-type: none"> – Two 133 MHz/64-bit PCI-X 1.0a slots – One PCI Express x16 slot (x16 lanes) 	<p>Size (2U):</p> <ul style="list-style-type: none"> • Height: 85.2 mm (3.346 in.) • Depth: EIA flange to rear - 698 mm (27.480 in.), Overall - 729 mm (28.701 in.) • Width: With top cover - 443.6 mm (17.465 in.), With front bezel - 482.0 mm (18.976 in.) • Weight: approximately 21.09 kg (46.5 lb) to 25 kg (55 lb) depending upon configuration <p>Integrated functions:</p> <ul style="list-style-type: none"> • Integrated management module (IMM), which provides service processor control and monitoring functions, video controller, and (when the optional virtual media key is installed) remote keyboard, video, mouse, and remote hard disk drive capabilities • Dedicated or shared management network connections • Six-port Serial ATA (SATA) controller • Serial over LAN (SOL) and serial redirection over Telnet or Secure Shell (SSH) • One systems-management RJ-45 for connection to a dedicated systems-management network • Support for remote management presence through an optional virtual media key • One Broadcom dual-port 10/100/1000 Ethernet controller with Wake on LAN support and TCP/IP Offload Engine (TOE) support • Four Ethernet ports (two on system board and two additional ports when the optional IBM Dual-Port 1 Gb Ethernet Daughter Card is installed) • One serial port, shared with the integrated management module (IMM) • Four Universal Serial Bus (USB) ports (two on front, two on rear of server), v2.0 supporting v1.1, plus one or more dedicated internal USB ports on the SAS riser card • Two video ports (one on front and one on rear of server) <p>Note: Maximum video resolution 1600 x 1200 at 75 MHz.</p> <ul style="list-style-type: none"> • One SATA tape connector, one USB tape connector, and one tape power connector on SAS riser card (some models) • Support for hypervisor function through an optional USB flash device on the SAS riser card (not available on simple-swap models) <p>Note: In messages and documentation, the term <i>service processor</i> refers to the integrated management module (IMM).</p>	<p>Video controller:</p> <ul style="list-style-type: none"> • Matrox G200 video on system board • Compatible with SVGA and VGA • 16 MB DDR2 SDRAM video memory <p>ServeRAID SAS controller:</p> <ul style="list-style-type: none"> • ServeRAID-BR10i SAS/SATA Controller that supports RAID levels 0, 1, 1E (standard) • Upgradeable to ServeRAID-MR10i SAS/SATA Controller, which supports RAID levels 0, 1, 5, 6, 10, 50, 60 <p>Notes:</p> <ol style="list-style-type: none"> 1. RAID is supported in hot-swap models only. 2. The ServeRAID controllers are installed in a PCI Express x8 mechanical slot (x4 electrical); however, the controllers run at x4 bandwidth. <p>Environment:</p> <ul style="list-style-type: none"> • Air temperature: <ul style="list-style-type: none"> – Server on: 10°C to 35°C (50.0°F to 95.0°F); altitude: 0 to 914.4 m (3000 ft). Decrease system temperature by 0.75°C for every 1000-foot increase in altitude. – Server off: 10°C to 43°C (50.0°F to 109.4°F); maximum altitude: 2133 m (7000 ft) – Shipment: -40°C to +60°C (-40°F to 140°F); maximum altitude: 2133 m (7000 ft) • Humidity: <ul style="list-style-type: none"> – Server on/off: 8% to 80% – Shipment: 5% to 100% • Particulate contamination: <p>Attention: Airborne particulates and reactive gases acting alone or in combination with other environmental factors such as humidity or temperature might pose a risk to the server. For information about the limits for particulates and gases, see “Particulate contamination” on page 135.</p> <p>Acoustical noise emissions:</p> <ul style="list-style-type: none"> • Declared sound power, idle: 6.3 bel • Declared sound power, operating: 6.5 bel <p>Heat output: Approximate heat output:</p> <ul style="list-style-type: none"> • Minimum configuration: 662 Btu per hour (194 watts) • Maximum configuration: 2302 Btu per hour (675 watts)
--	--	--

Table 1. Features and specifications (continued)

<p>Electrical input with hot-swap ac power supplies:</p> <ul style="list-style-type: none"> • Sine-wave input (50 - 60 Hz) required • Input voltage range automatically selected • Input voltage low range: <ul style="list-style-type: none"> – Minimum: 100 V ac – Maximum: 240 V ac • Input voltage high range: <ul style="list-style-type: none"> – Minimum: 200 V ac – Maximum: 240 V ac • Input kilovolt-amperes (kVA) approximately: <ul style="list-style-type: none"> – Minimum: 0.12 kVA – Maximum: 0.78 kVA 	<p>Hot-swap fans: Three - provide redundant cooling.</p> <p>Hot-swap power supplies: 675 watts (100 - 240 V ac)</p> <ul style="list-style-type: none"> • Minimum: One • Maximum: Two - provide redundant power 	
---	--	--

What your server offers

The server uses the following features and technologies:

- **UEFI-compliant server firmware**

IBM System x Server Firmware offers several features, including Unified Extensible Firmware Interface (UEFI) 2.1 compliance, Active Energy Manager technology, enhanced RAS capabilities, and BIOS compatibility support. UEFI replaces the basic input/output system (BIOS) and defines a standard interface between the operating system, platform firmware, and external devices. UEFI-compliant System x servers are capable of booting UEFI-compliant operating systems, BIOS-based operating systems, and BIOS-based adapters as well as UEFI-compliant adapters.

Note: The server does not support DOS.

- **Integrated management module**

The integrated management module (IMM) combines service processor functions, video controller, and (when an optional virtual media key is installed) remote presence function in a single chip. The IMM provides advanced service-processor control, monitoring, and alerting function. If an environmental condition exceeds a threshold or if a system component fails, the IMM lights LEDs to help you diagnose the problem, records the error in the event log, and alerts you to the problem. Optionally, the IMM also provides a virtual presence capability for remote server management capabilities. The IMM provides remote server management through industry-standard interfaces:

- Intelligent Platform Management Interface (IPMI) version 2.0
- Simple Network Management Protocol (SNMP) version 3
- Common Information Model (CIM)
- Web browser

- **Remote presence capability and blue-screen capture**

The optional virtual media key is required to enable the remote presence and blue-screen capture features. The remote presence feature provides the following functions:

- Remotely viewing video with graphics resolutions up to 1600 x 1200 at 75 MHz, regardless of the system state
- Remotely accessing the server, using the keyboard and mouse from a remote client

- Mapping the CD or DVD drive, diskette drive, and USB flash drive on a remote client, and mapping ISO and diskette image files as virtual drives that are available for use by the server
- Uploading a diskette image to the IMM memory and mapping it to the server as a virtual drive

The blue-screen capture feature captures the video display contents before the IMM restarts the server when the IMM detects an operating-system hang condition. A system administrator can use the blue-screen capture to assist in determining the cause of the hang condition.

- **IBM Dynamic System Analysis Preboot diagnostics programs**

The Dynamic System Analysis (DSA) Preboot diagnostics programs are stored on the integrated USB memory. It collects and analyzes system information to aid in diagnosing server problems. The diagnostic programs collect the following information about the server:

- System configuration
- Network interfaces and settings
- Installed hardware
- Light path diagnostics status
- Service processor status and configuration
- Vital product data, firmware, and UEFI (formerly BIOS) configuration
- Hard disk drive health
- RAID controller configuration
- Event logs for ServeRAID controllers and service processors

The diagnostic programs create a merged log that includes events from all collected logs. The information is collected into a file that you can send to IBM service and support. Additionally, you can view the information locally through a generated text report file. You can also copy the log to a removable media and view the log from a Web browser.

For additional information about DSA Preboot diagnostics, see the *Problem Determination and Service Guide* on the *IBM Documentation CD*

- **IBM Systems Director**

IBM Systems Director is a workgroup-hardware-management tool that you can use to centrally manage System x and xSeries servers. For more information, see the IBM Systems Director documentation on the *IBM Systems Director CD*.

- **Active Energy Manager**

The Active Energy Manager solution is an IBM Systems Director extension that measures and reports server power consumption as it occurs. This enables you to monitor power consumption in correlation to specific software application programs and hardware configurations. You can obtain the measurement values through the systems-management interface and view them, using IBM Systems Director. For more information, see the IBM Director documentation on the *IBM Systems Director CD*, or see <http://www.ibm.com/systems/management/director/extensions/actengmrg.html>.

- **IBM X-Architecture technology**

IBM X-Architecture technology combines proven, innovative IBM designs to make your Intel-processor-based server powerful, scalable, and reliable. For more information, see <http://www.ibm.com/servers/eserver/xseries/xarchitecture/enterprise/index.html>.

- **Active™ Memory**

The Active Memory™ feature improves the reliability of memory through memory mirroring. Memory mirroring stores data in two pairs of DIMMs simultaneously.

- **Large system-memory capacity**

The memory bus supports up to 128 GB of system memory. The memory controller supports error correcting code (ECC) for up to 16 industry-standard PC3-10600R-999 (single-rank or dual-rank), 800, 1067, and 1333 MHz, DDR3 (third-generation double-data-rate), registered, synchronous dynamic random access memory (SDRAM) dual inline memory modules (DIMMs).

- **IBM ServerGuide Setup and Installation CD**

The *ServerGuide Setup and Installation* CD, which you can download from the Web, provides programs to help you set up the server and install a Windows operating system. The ServerGuide program detects installed optional hardware devices and provides the correct configuration programs and device drivers. For more information about the *ServerGuide Setup and Installation* CD, see “Using the ServerGuide Setup and Installation CD” on page 119.

- **Integrated network support**

The server comes with two integrated Broadcom Gigabit Ethernet controllers, which support connection to a 10 Mbps, 100 Mbps, or 1000 Mbps network. For more information, see “Configuring the Gigabit Ethernet controller” on page 125.

- **Large data-storage and hot-swap capability**

The server supports up to eight or twelve 2.5-inch hot-swap hard disk drives in the hot-swap bays (depending on the model and optional devices installed). With the hot-swap feature, you can add, remove, or replace hard disk drives without turning off the server.

- **Light path diagnostics**

Light path diagnostics provides LEDs to help you diagnose problems. For more information, see the section about light path diagnostics in the *Problem Determination and Service Guide*.

- **PCI adapter capabilities**

The server supports up to four PCI interface slots. For more information, see “Installing a PCI adapter” on page 51.

- **Memory mirroring**

Memory mirroring improves the availability of memory by writing information to the main memory and redundant locations in a mirrored pair of DIMMs.

- **Redundant connection**

The addition of the optional Ethernet daughter card provides failover capability to a redundant Ethernet connection with the applicable application installed. If a problem occurs with the primary Ethernet connection and the optional Ethernet daughter card is installed on the server, all Ethernet traffic that is associated with the primary connection is automatically switched to the optional redundant Ethernet daughter card connection. If the applicable device drivers are installed, this switching occurs without data loss and without user intervention.

- **Redundant cooling and power capabilities**

The server supports three hot-swap fans, which provide redundant cooling. Redundant cooling enables continued operation if one of the fans fails. The server supports up to two 675-watt ac power supplies, which provide redundancy and hot-swap capability for a typical configuration. If the maximum load on the server is less than 675 watts and a problem occurs with one of the power supplies, the other power supply can meet the power requirements.

Note: If the maximum load on the server is greater than 675 watts and a problem occurs with one of the power supplies, Active Energy Manager can act to minimize the load somewhat so that the server can function with the remaining power supply.

- **ServeRAID support**

The server supports an internal ServeRAID SAS controller, which is required for you to use the hot-swap hard disk drives and to create redundant array of independent disks (RAID) configurations.

- **Systems-management capabilities**

The server contains an integrated management module (IMM) which enables you to manage the functions of the server locally and remotely. The addition of the optional IBM Virtual Media Key provides remote presence and blue-screen capture capability. The IMM also provides system monitoring, event recording, and dial-out alert capability.

- **TCP/IP offload engine (TOE) support**

The Ethernet controllers in the server support TOE, which is a technology that offloads the TCP/IP flow from the microprocessors and I/O subsystem to increase the speed of the TCP/IP flow. When an operating system that supports TOE is running on the server and TOE is enabled, the server supports TOE operation. See the operating-system documentation for information about enabling TOE.

Note: As of the date of this document, the Linux operating system does not support TOE.

Reliability, availability, and serviceability features

Three important computer design features are reliability, availability, and serviceability (RAS). The RAS features help to ensure the integrity of the data that is stored in the server, the availability of the server when you need it, and the ease with which you can diagnose and repair problems.

The server has the following RAS features:

- Automatic error retry and recovery
- Automatic restart after a power failure
- Built-in monitoring for fan, power, temperature, voltage, and power-supply redundancy
- Cable-presence detection on most connectors
- Chipkill memory protection
- Dual redundant UEFI server firmware images
- Error codes and messages
- Error correcting code (ECC) L2 cache and system memory
- Hot-swap cooling fans with speed-sensing capability
- Hot-swap hard disk drives
- Information and light path diagnostics LED panels
- Integrated management module (service processor)
- Memory mirroring

- Menu-driven setup, system configuration, and redundant array of independent disks (RAID) configuration programs
- Parity checking or CRC checking on the serially-attached SCSI (SAS) bus and PCI buses
- Power management: compliance with Advanced Configuration and Power Interface (ACPI)
- Power-on self-test (POST)
- Predictive Failure Analysis (PFA) alerts on memory, SAS/SATA hard disk drives, fans, and power supplies
- Redundant Ethernet capabilities with failover support
- Redundant hot-swap power supplies
- Remind button to temporarily turn off the system-error LED
- Remote system problem-determination support
- Standby voltage for systems-management features and monitoring
- Startup (boot) from LAN through Preboot Execution Environment (PXE) boot agent utility or Dynamic Host Configuration Protocol/Boot Protocol (DHCP/BOOTP)
- System auto-configuring from the configuration menu
- System error logging (POST and service processor)
- Systems-management monitoring through the Inter-Integrated Circuit (I²C) bus
- Upgradeable POST, UEFI, diagnostics, service processor microcode, and read-only memory (ROM) resident code, locally or over the LAN
- Vital product data (VPD) on microprocessors, system board, power supplies, and SAS (hot-swap-drive) backplane
- Wake on LAN capability

IBM Systems Director

IBM Systems Director is a platform-management foundation that streamlines the way you manage physical and virtual systems in a heterogeneous environment. By using industry standards, IBM Systems Director supports multiple operating systems and virtualization technologies in IBM and non-IBM x86 platforms.

Through a single user interface, IBM Systems Director provides consistent views for viewing managed systems, determining how these systems relate to one another, and identifying their statuses, helping to correlate technical resources with business needs. A set of common tasks that are included with IBM Systems Director provides many of the core capabilities that are required for basic management, which means instant out-of-the-box business value. These common tasks include discovery, inventory, configuration, system health, monitoring, updates, event notification, and automation for managed systems.

The IBM Systems Director Web and command-line interfaces provide a consistent interface that is focused on driving these common tasks and capabilities:

- Discovering, navigating, and visualizing systems on the network with the detailed inventory and relationships to the other network resources
- Notifying users of problems that occur on systems and the ability to isolate the sources of the problems
- Notifying users when systems need updates and distributing and installing updates on a schedule
- Analyzing real-time data for systems and setting critical thresholds that notify the administrator of emerging problems
- Configuring settings of a single system and creating a configuration plan that can apply those settings to multiple systems

- Updating installed plug-ins to add new features and functions to the base capabilities
- Managing the life cycles of virtual resources

For more information about IBM Systems Director, see the documentation on the *IBM Systems Director* DVD that comes with the server and the IBM xSeries Systems Management Web page at <http://www.ibm.com/systems/management/>, which presents an overview of IBM Systems Management and IBM Systems Director.

The UpdateXpress System Pack Installer

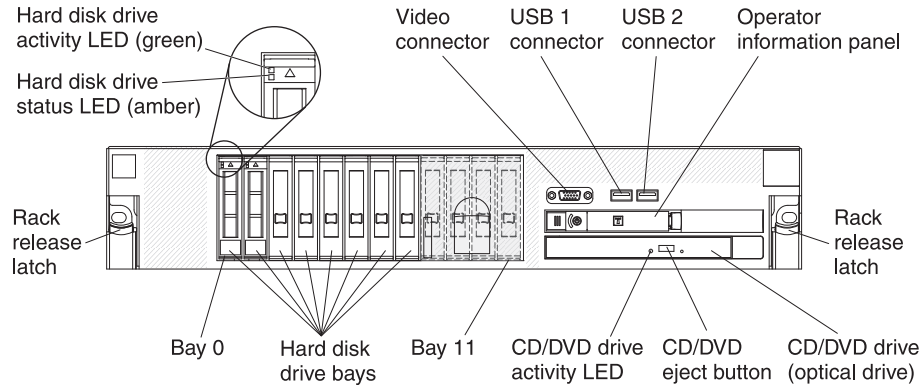
The UpdateXpress System Pack Installer detects supported and installed device drivers and firmware in the server and installs available updates. For additional information and to download the UpdateXpress System Pack Installer, go to the System x and BladeCenter Tools Center at <http://publib.boulder.ibm.com/infocenter/toolsctr/v1r0/index.jsp> and click **UpdateXpress System Pack Installer**.

Server controls, LEDs, and power

This section describes the controls and light-emitting diodes (LEDs) and how to turn the server on and off.

Front view

The following illustration shows the controls, connectors, and hard disk drive bays on the front of the server.



Hard disk drive activity LED: Each hard disk drive has an activity LED. When this LED is flashing, it indicates that the drive is in use.

Hard disk drive status LED: Each hard disk drive has a status LED. When this LED is lit, it indicates that the drive has failed. When this LED is flashing slowly (one flash per second), it indicates that the drive is being rebuilt as part of a RAID configuration. When the LED is flashing rapidly (three flashes per second), it indicates that the controller is identifying the drive.

Video connector: Connect a monitor to this connector. The video connectors on the front and rear of the server can be used simultaneously.

USB connectors: Connect a USB device, such as USB mouse, keyboard, or other USB device, to either of these connectors.

Operator information panel: This panel contains controls, light-emitting diodes (LEDs), and connectors. For information about the controls and LEDs on the operator information panel, see “Operator information panel” on page 15.

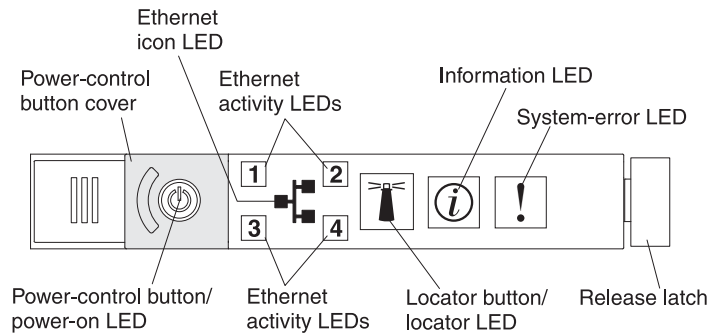
Rack release latches: Press these latches to release the server from the rack.

Optional CD/DVD-eject button: Press this button to release a CD or DVD from the CD-RW/DVD drive.

Optional CD/DVD drive activity LED: When this LED is lit, it indicates that the CD-RW/DVD drive is in use.

Operator information panel

The following illustration shows the controls and LEDs on the operator information panel.



The following controls and LEDs are on the operator information panel:

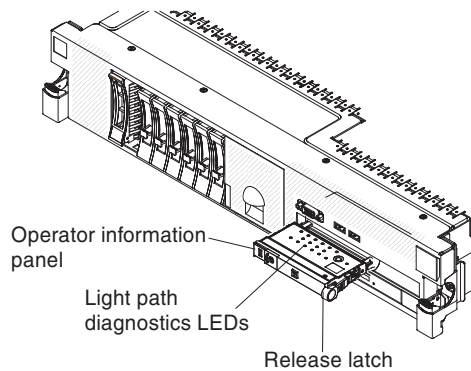
- **Power-control button and power-on LED:** Press this button to turn the server on and off manually or to wake the server from a reduced-power state. The states of the power-on LED are as follows:
 - Off:** AC power is not present, or the power supply or the LED itself has failed.
 - Flashing rapidly (4 times per second):** The server is turned off and is not ready to be turned on. The power-control button is disabled. Approximately 3 minutes after the server is connected to ac power, the power-control button becomes active.
 - Flashing slowly (once per second):** The server is turned off and is ready to be turned on. You can press the power-control button to turn on the server.
 - Lit:** The server is turned on.
 - Fading on and off:** The server is in a reduced-power state. To wake the server, press the power-control button or use the IMM Web interface. For information about logging on to the IMM Web interface, see “Logging on to the Web interface” on page 125.
- **Ethernet icon LED:** This LED lights the Ethernet icon.
- **Ethernet activity LEDs:** When any of these LEDs is lit, it indicates that the server is transmitting to or receiving signals from the Ethernet LAN that is connected to the Ethernet port that corresponds to that LED.
- **Information LED:** When this LED is lit, it indicates that a noncritical event has occurred. An LED on the light path diagnostics panel is also lit to help isolate the error.
- **System-error LED:** When this LED is lit, it indicates that a system error has occurred. An LED on the light path diagnostics panel is also lit to help isolate the error.
- **Release latch:** Slide this latch to the left to access the light path diagnostics panel, which is behind the operator information panel.
- **Locator button and locator LED:** Use this LED to visually locate the server among other servers. Press this button to turn on or turn off this LED locally. You can use IBM Systems Director to light this LED remotely.

Light path diagnostics panel

The light path diagnostics panel is on the top of the operator information panel.

To access the light path diagnostics panel, slide the blue release button on the operator information panel to the left. Pull forward on the operator information panel until the hinge of the panel is free of the server chassis. Then pull down on the

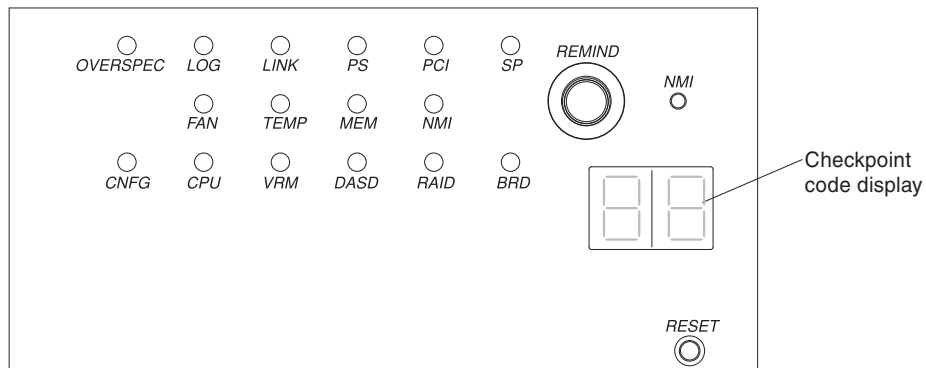
operator information panel, so that you can view the light path diagnostics panel information.



The following illustration shows the controls and LEDs on the light path diagnostics panel.

Notes:

1. Do not run the server for an extended period of time while the light path diagnostics panel is pulled out of the server.
2. Light path diagnostics LEDs remain lit only while the server is connected to power.

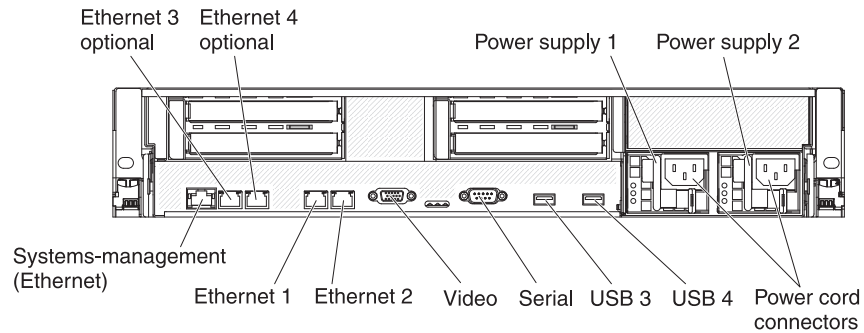


- **Remind button:** This button places the system-error LED on the front panel into Remind mode. In Remind mode, the system-error LED flashes once every 2 seconds until the problem is corrected, the server is restarted, or a new problem occurs.
By placing the system-error LED indicator in Remind mode, you acknowledge that you are aware of the last failure but will not take immediate action to correct the problem. The remind function is controlled by the IMM.
- **NMI button:** Press this button to force a nonmaskable interrupt to the microprocessor, if directed to do so by IBM service and support.
- **Reset button:** Press this button to reset the server and run the power-on self-test (POST). You might have to use a pen or the end of a straightened paper clip to press the button. The reset button is in the lower-right corner of the light path diagnostics panel.

For more information about light path diagnostics, see the *Problem Determination and Service Guide* on the IBM Documentation CD.

Rear view

The following illustration shows the connectors on the rear of the server.



Ethernet connectors: Use any of these connectors to connect the server to a network.

Power-cord connector: Connect the power cord to this connector.

USB connectors: Connect a USB device, such as USB mouse, keyboard, or other USB device, to any of these connectors.

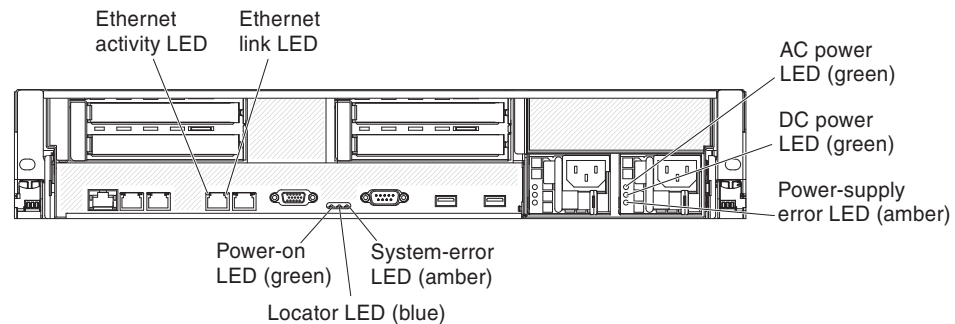
Serial connector: Connect a 9-pin serial device to this connector. The serial port is shared with the integrated management module (IMM). The IMM can take control of the shared serial port to perform text console redirection and to redirect serial traffic, using Serial over LAN (SOL).

Video connector: Connect a monitor to this connector. The video connectors on the front and rear of the server can be used simultaneously.

Note: The maximum video resolution is 1600 x 1200 at 75 MHz.

Systems-management Ethernet connector: Use this connector to connect the server to a network for systems-management information control. This connector is used only by the IMM.

The following illustration shows the LEDs on the rear of the server.



Ethernet activity LEDs: When these LEDs are lit, they indicate that the server is transmitting to or receiving signals from the Ethernet LAN that is connected to the Ethernet port.

Ethernet link LEDs: When these LEDs are lit, they indicate that there is an active link connection on the 10BASE-T, 100BASE-TX, or 1000BASE-TX interface for the Ethernet port.

AC power LED: Each hot-swap power supply has an ac power LED and a dc power LED. When the ac power LED is lit, it indicates that sufficient power is coming into the power supply through the power cord. During typical operation, both the ac and dc power LEDs are lit. For any other combination of LEDs, see the *Problem Determination and Service Guide* on the IBM Documentation CD.

DC power LED: Each hot-swap power supply has a dc power LED and an ac power LED. When the dc power LED is lit, it indicates that the power supply is supplying adequate dc power to the system. During typical operation, both the ac and dc power LEDs are lit. For any other combination of LEDs, see the *Problem Determination and Service Guide* on the IBM Documentation CD.

Power-supply error LED: When the power-supply error LED is lit, it indicates that the power supply has failed.

Note: Power supply 1 is the default/primary power supply. If power supply 1 fails, you must replace the power supply immediately.

System-error LED: When this LED is lit, it indicates that a system error has occurred. An LED on the light path diagnostics panel is also lit to help isolate the error. This LED is the same as the system-error LED on the front of the server.

Locator LED: Use this LED to visually locate the server among other servers. You can use IBM Systems Director to light this LED remotely. This LED is the same as the system-locator LED on the front of the server.

Power-on LED: Press this button to turn the server on and off manually or to wake the server from a reduced-power state. The states of the power-on LED are as follows:

Off: AC power is not present, or the power supply or the LED itself has failed.

Flashing rapidly (4 times per second): The server is turned off and is not ready to be turned on. The power-control button is disabled. Approximately 3 minutes after the server is connected to ac power, the power-control button becomes active.

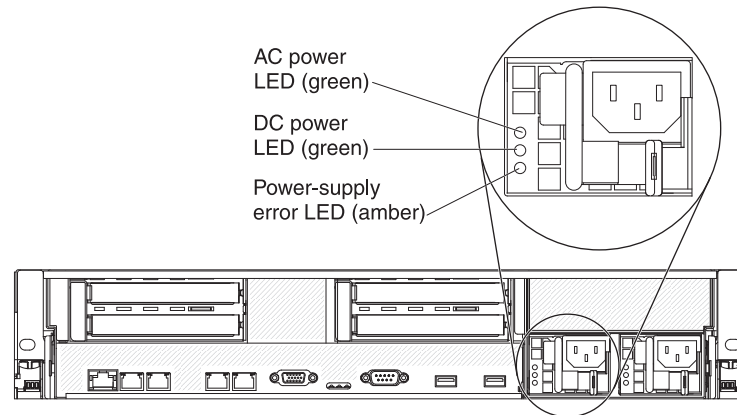
Flashing slowly (once per second): The server is turned off and is ready to be turned on. You can press the power-control button to turn on the server.

Lit: The server is turned on.

Fading on and off: The server is in a reduced-power state. To wake the server, press the power-control button or use the IMM Web interface. For information about logging on to the IMM Web interface, see “Logging on to the Web interface” on page 125.

Power-supply LEDs

The following illustration shows the power-supply LEDs on the rear of the server. For more information about solving power-supply problems, see the *Problem Determination and Service Guide*.



The following table describes the problems that are indicated by various combinations of the power-supply LEDs and the power-on LED on the operator information panel and suggested actions to correct the detected problems.

Table 2. Power-supply LEDs

Power-supply LEDs			Description	Action	Notes
AC	DC	Error			
Off	Off	Off	No ac power to the server or a problem with the ac power source	<ol style="list-style-type: none"> 1. Check the ac power to the server. 2. Make sure that the power cord is connected to a functioning power source. 3. Turn the server off and then turn the server back on. 4. If the problem remains, replace the power supply. 	This is a normal condition when no ac power is present.
Off	Off	On	No ac power to the server or a problem with the ac power source and the power supply had detected an internal problem	<ol style="list-style-type: none"> 1. Replace the power supply. 2. Make sure that the power cord is connected to a functioning power source. 	This happens only when a second power supply is providing power to the server.
Off	On	Off	Faulty power supply	Replace the power supply.	
Off	On	On	Faulty power supply	Replace the power supply.	
On	Off	Off	Power supply not fully seated, faulty system board, or faulty power supply	<ol style="list-style-type: none"> 1. Reseat the power supply. 2. If the 240V failure LED on the system board is lit, have the system board replaced (trained service technician only). 3. If the 240V failure LED on the system board is not lit, replace the power supply. 	Typically indicates that a power supply is not fully seated.
On	Off or Flashing	On	Faulty power supply	Replace the power supply.	
On	On	Off	Normal operation		
On	On	On	Power supply is faulty but still operational	Replace the power supply.	

Server power features

When the server is connected to a power source but is not turned on, the operating system does not run, and all core logic except for the integrated management module (IMM) is shut down; however, the server can respond to requests from the IMM, such as a remote request to turn on the server. The power-on LED flashes to indicate that the server is connected to power but is not turned on.

Turning on the server

Approximately 3 minutes after the server is connected to power, the power-control button becomes active, and one or more fans might start running to provide cooling while the server is connected to power. You can turn on the server and start the operating system by pressing the power-control button.

The server can also be turned on in any of the following ways:

- If a power failure occurs while the server is turned on, the server will restart automatically when power is restored.
- If your operating system supports the Wake on LAN feature, the Wake on LAN feature can turn on the server.

For 32-bit operating systems only: Some memory is reserved for various system resources and is unavailable to the operating system. The amount of memory that is reserved for system resources depends on the operating system, the configuration of the server, and the configured PCI options.

Turning off the server

When you turn off the server and leave it connected to power, the server can respond to requests from the IMM, such as a remote request to turn on the server. While the server remains connected to power, one or more fans might continue to run. To remove all power from the server, you must disconnect it from the power source.

Important: To view the error LEDs on the system board, leave the server connected to a power source.

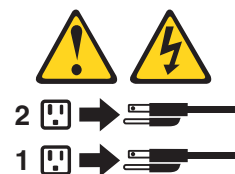
Some operating systems require an orderly shutdown before you turn off the server. See your operating-system documentation for information about shutting down the operating system.

Statement 5:



CAUTION:

The power control button on the device and the power switch on the power supply do not turn off the electrical current supplied to the device. The device also might have more than one power cord. To remove all electrical current from the device, ensure that all power cords are disconnected from the power source.



The server can be turned off in any of the following ways:

- You can turn off the server from the operating system, if your operating system supports this feature. After an orderly shutdown of the operating system, the server will be turned off automatically.
- You can press the power-control button to start an orderly shutdown of the operating system and turn off the server, if your operating system supports this feature.
- If the operating system stops functioning, you can press and hold the power-control button for more than 4 seconds to turn off the server.
- The IMM can turn off the server as an automatic response to a critical system failure.
- You can turn off the server through a request from the IMM.

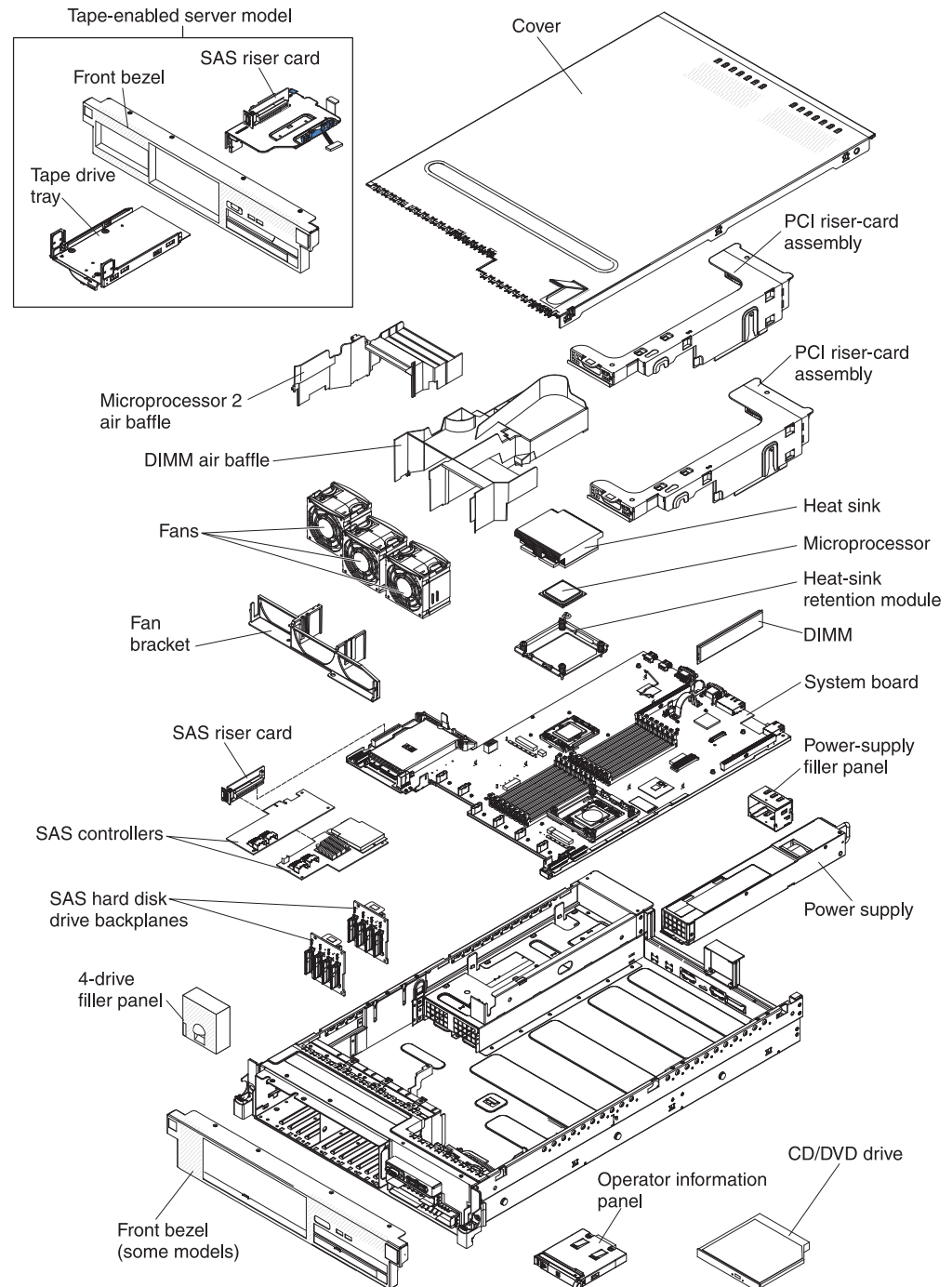
Chapter 2. Installing optional devices

This chapter provides detailed instructions for installing optional hardware devices in the server.

Server components

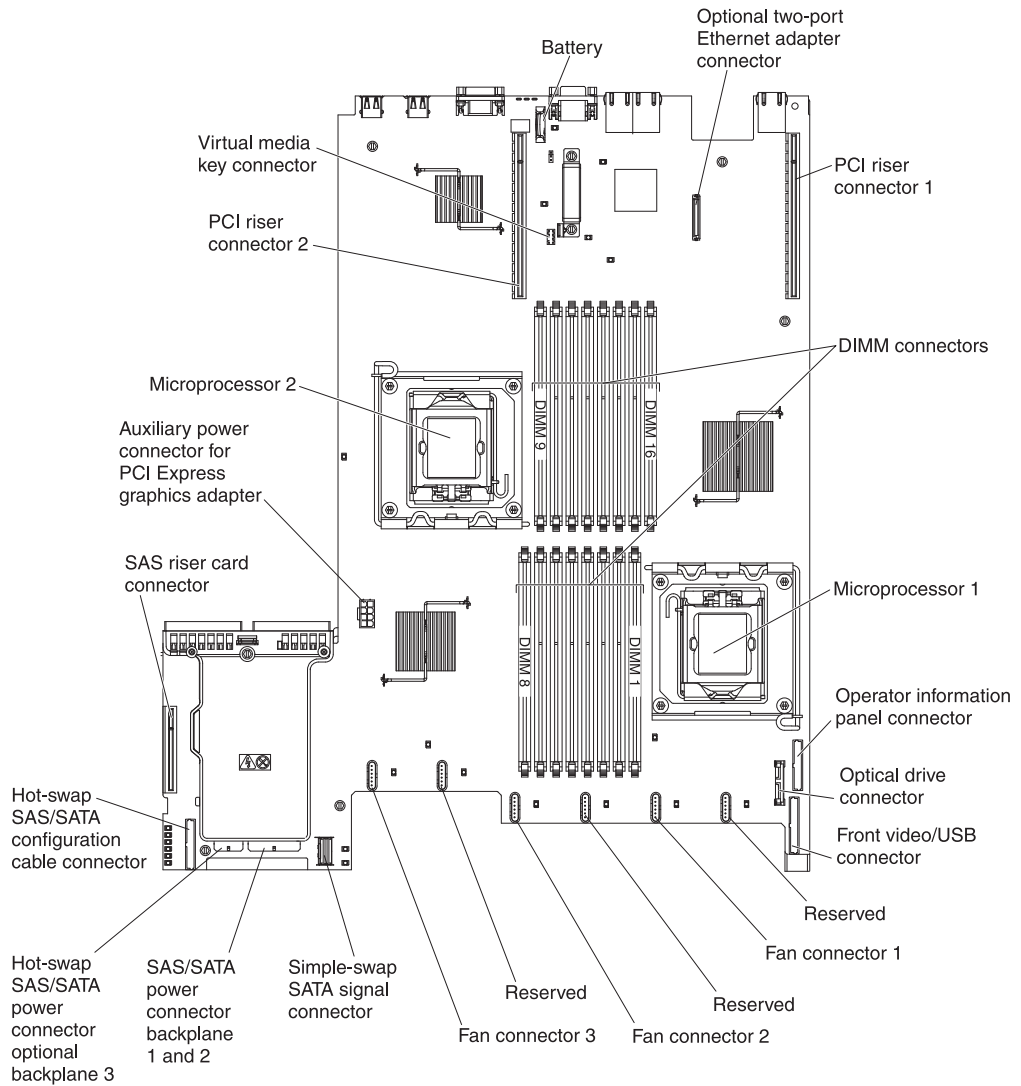
The following illustrations show the major components in the server.

Note: The illustrations in this document might differ slightly from your hardware.



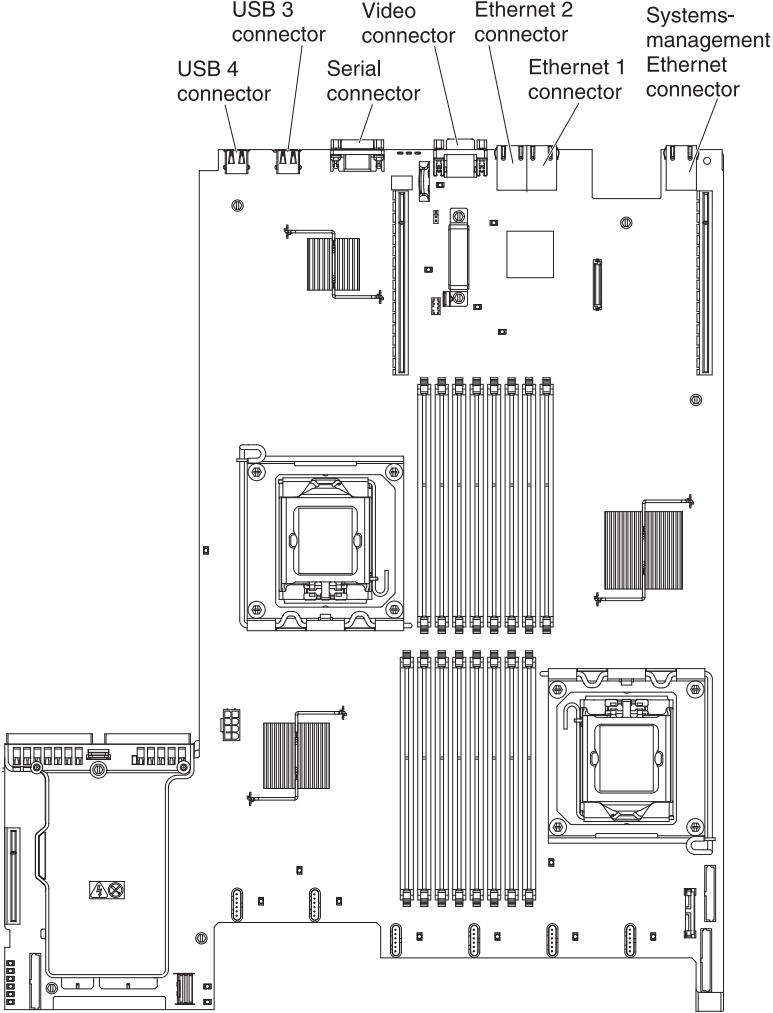
System-board internal connectors

The following illustration shows the internal connectors on the system board.



System-board external connectors

The following illustration shows the external input/output connectors on the system board.



System-board switches and jumpers

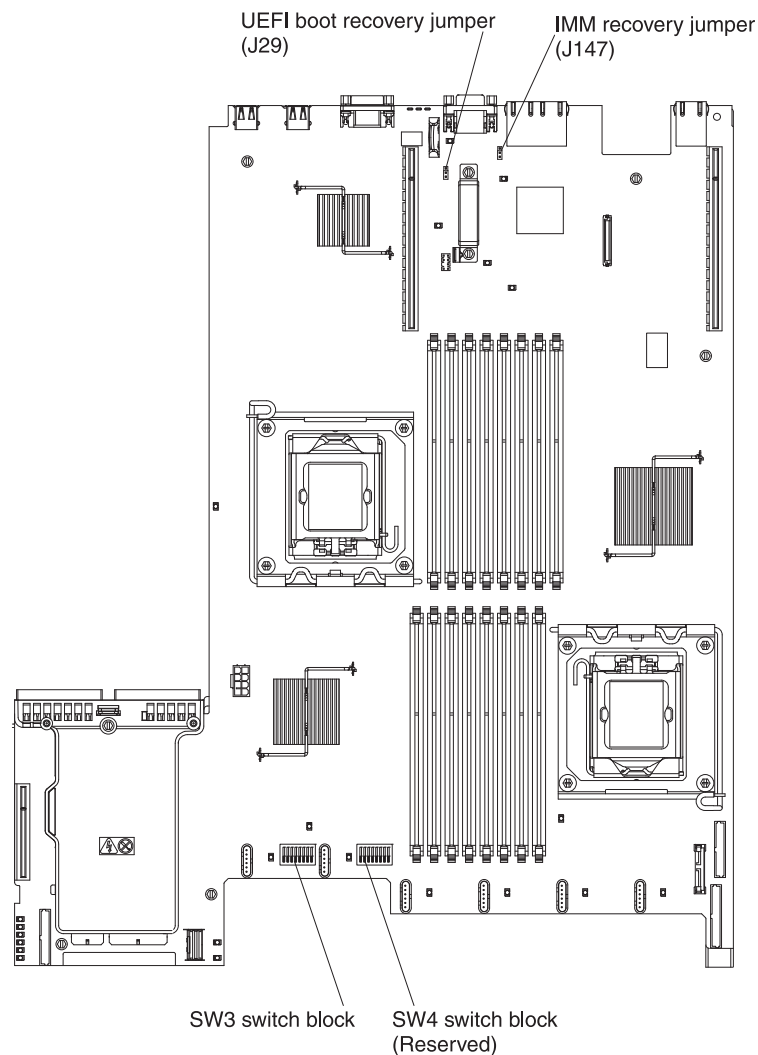
Some server models come with the Pass 8 level system board or the Pass 9 level system board. The Pass 8 level system board does not have an identifying mark. The Pass 9 level system board is identified by P9 on the corner of the system board near the USB connectors on the rear of the server. If the system board is updated in the future, it will also show the pass level on the system board.

The functionality of the two system boards are equivalent, except for the switch blocks. The functions of the switch blocks on each of these system boards differs, depending on the level of the system board that is installed in the server. The following sections describe the switches and jumpers for each of these system boards.

Pass 8 level system board

If the server has the Pass 8 level system board, the following illustration shows the location and description of the switches and jumpers.

Note: If there is a clear protective sticker on the top of the switch block, you must remove and discard it to access the switch.



The following table describes the jumpers on the Pass 8 level system board.

Table 3. Pass 8 level system board jumpers

Jumper number	Jumper name	Jumper setting
J29	UEFI boot recovery jumper	<ul style="list-style-type: none"> • Pins 1 and 2: Normal (default) Loads the primary server (formerly BIOS) firmware ROM page. • Pins 2 and 3: Loads the secondary (backup) server firmware ROM page.
J147	IMM recovery jumper	<ul style="list-style-type: none"> • Pins 1 and 2: Normal (default) Loads the primary IMM firmware ROM page. • Pins 2 and 3: Loads the secondary (backup) IMM firmware ROM page.
<p>Notes:</p> <ol style="list-style-type: none"> 1. If no jumper is present, the server responds as if the pins are set to 1 and 2. 2. Changing the position of the UEFI boot recovery jumper from pins 1 and 2 to pins 2 and 3 before the server is turned on alters which flash ROM page is loaded. Do not change the jumper pin position after the server is turned on. This can cause an unpredictable problem. 		

The following table describes the functions of the SW3 switch block on the Pass 8 system board.

Table 4. Pass 8 level system board SW3 switch definition

Switch number	Default position	Description
1	Off	Clear CMOS memory. When this switch is toggled to On, it clears the data in CMOS memory, which clears the power-on password.
2	Off	Reserved.
3	Off	Reserved.
4	Off	Reserved.
5	Off	<p>Power-on password override. Changing the position of this switch bypasses the power-on password check the next time the server is turned on and starts the Setup utility so that you can change or delete the power-on password. You do not have to move the switch back to the default position after the power-on password is overridden.</p> <p>Changing the position of this switch does not affect the administrator password check if an administrator password is set.</p>

Table 4. Pass 8 level system board SW3 switch definition (continued)

Switch number	Default position	Description
6	Off	When you toggle this switch to On and then Off, you force a power-on, which overrides the power-on and power-off button on the server and they become nonfunctional.
7	Off	Reserved.
8	Off	Reserved.

Important:

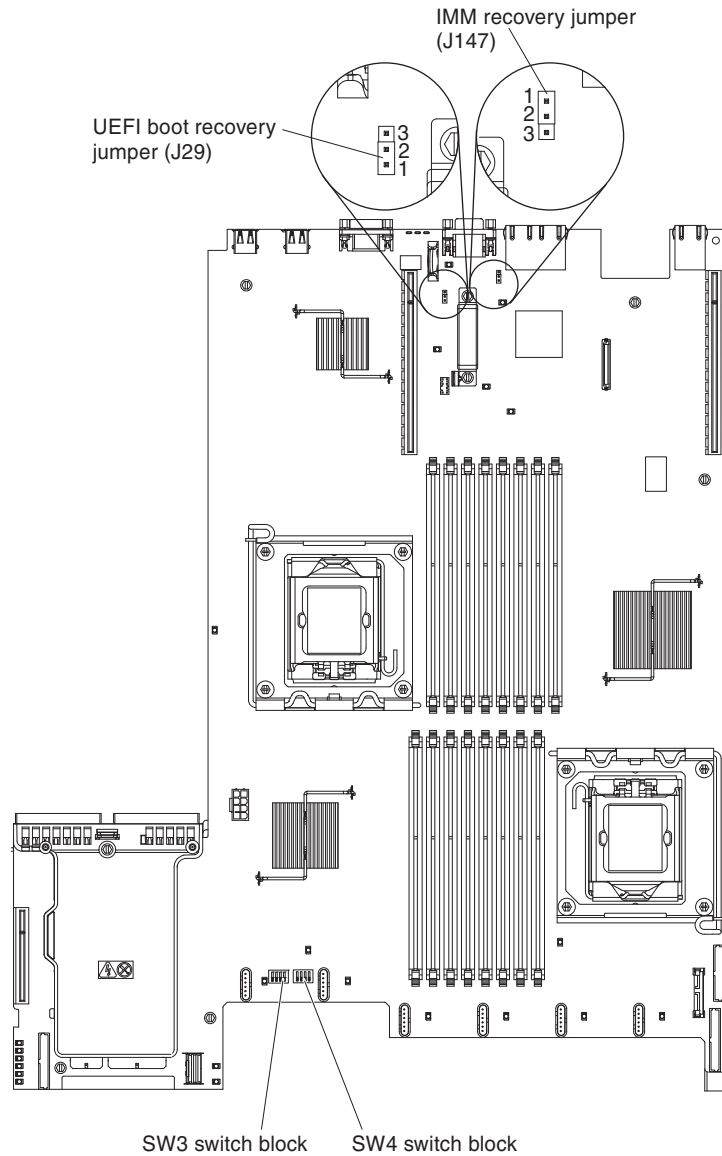
1. Before you change any switch settings or move any jumpers, turn off the server; then, disconnect all power cords and external cables. (Review the information in “Safety” on page vii, “Installation guidelines” on page 36, “Handling static-sensitive devices” on page 38, and “Turning off the server” on page 21.)
2. Any system-board switch or jumper blocks that are not shown in the illustrations in this document are reserved.

Pass 9 level system board

If the server has the Pass 9 level system board, the following illustration shows the location and description of the switches and jumpers. The Pass 9 level system board has a P9 (with a part number to the right of it) on the corner of the system board near the USB connectors on the rear of the server.

Note: If there is a clear protective sticker on the top of the switch blocks, you must remove and discard it to access the switches.

The default positions for the UEFI and the IMM recovery jumpers are pins 1 and 2.



The following table describes the jumper settings for J29 and J147 on the Pass 9 level system board.

Table 5. System board jumpers

Jumper number	Jumper name	Jumper setting
J29	UEFI boot recovery jumper	<ul style="list-style-type: none"> • Pins 1 and 2: Normal (default) Loads the primary server firmware (formerly called BIOS) ROM page. • Pins 2 and 3: Loads the secondary (backup) server firmware ROM page.
J147	IMM recovery jumper	<ul style="list-style-type: none"> • Pins 1 and 2: Normal (default) Loads the primary IMM firmware ROM page. • Pins 2 and 3: Loads the secondary (backup) IMM firmware ROM page.

Table 5. System board jumpers (continued)

Jumper number	Jumper name	Jumper setting
Notes:		
1. If no jumper is present, the server responds as if the pins are set to 1 and 2.		
2. Changing the position of the UEFI boot recovery jumper from pins 1 and 2 to pins 2 and 3 before the server is turned on alters which flash ROM page is loaded. Do not change the jumper pin position after the server is turned on. This can cause an unpredictable problem.		

The following illustration shows the jumper settings for switch blocks SW3 and SW4 on the Pass 9 level system board.

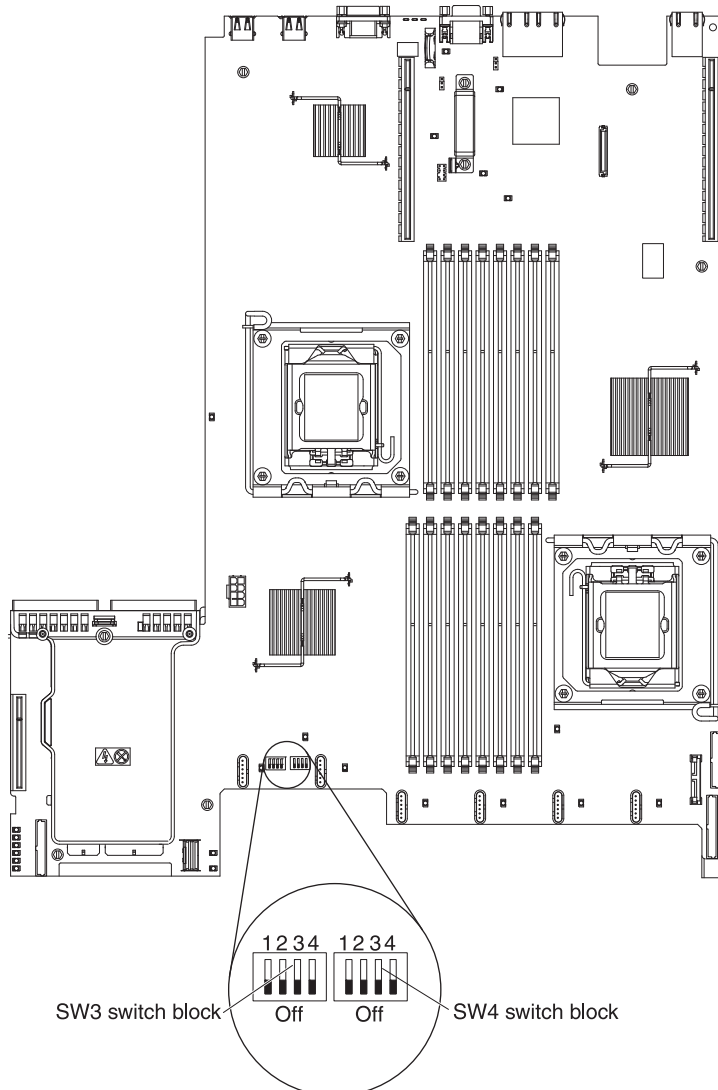


Table 6 on page 31 and Table 7 on page 31 describe the function of each switch on SW3 and SW4 switch blocks on the Pass 9 level system board.

Table 6. Pass 9 level system board switch block 3, switches 1 - 4

Switch number	Default value	Switch description
1	Off	Clear CMOS memory. When this switch is toggled to On, it clears the data in CMOS memory, which clears the power-on password.
2	Off	Reserved.
3	Off	Reserved.
4	Off	Reserved.

Table 7. Pass 9 level system board switch block 4, switches 1 - 4

Switch number	Default value	Switch description
1	Off	<p>Power-on password override. Changing the position of this switch bypasses the power-on password check the next time the server is turned on and starts the Setup utility so that you can change or delete the power-on password. You do not have to move the switch back to the default position after the password is overridden.</p> <p>Changing the position of this switch does not affect the administrator password check if an administrator password is set.</p> <p>See "Passwords" on page 116 for additional information about the power-on password.</p>
2	Off	Power-on override. When this switch is toggled to On and then to Off, you force a power-on which overrides the power-on and power-off button on the server and they become nonfunctional.
3	Off	Forced power permission overrides the IMM power-on checking process. (Trained service technician only)
4	Off	Reserved.

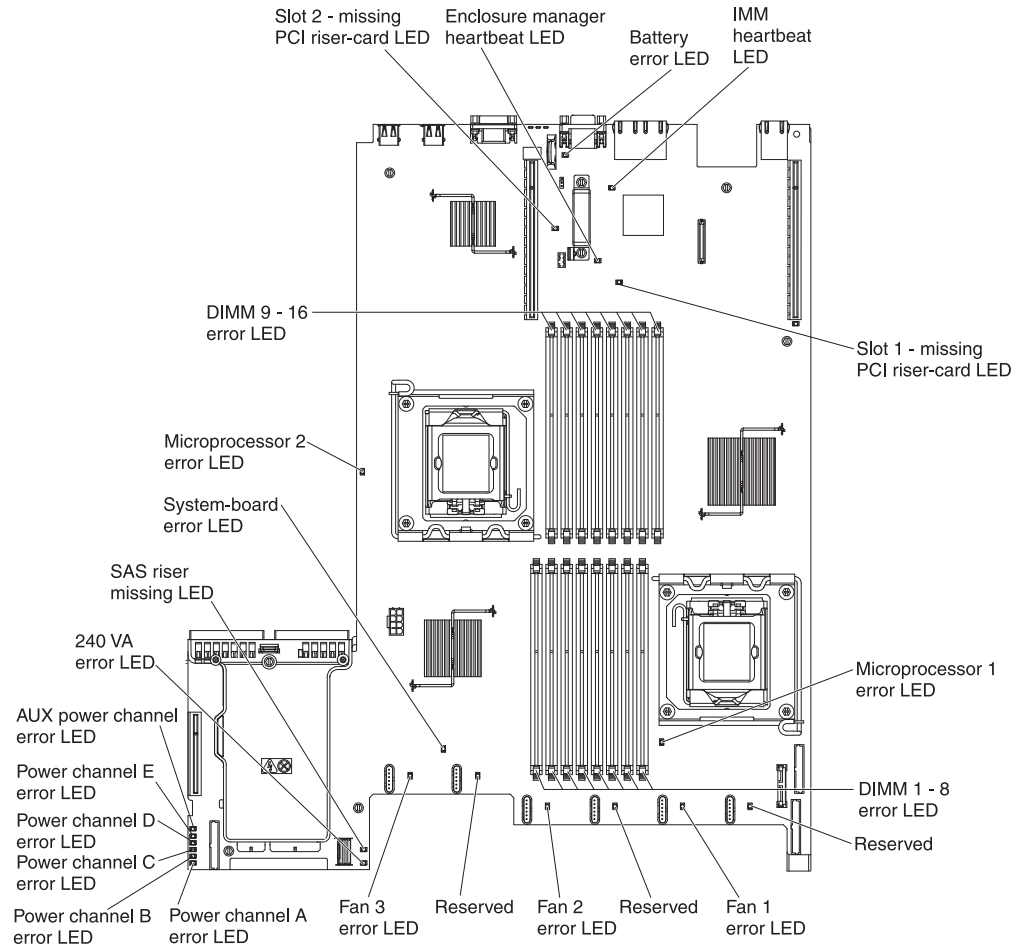
Important:

1. Before you change any switch settings or move any jumpers, turn off the server; then, disconnect all power cords and external cables. (Review the information in "Safety" on page vii, "Installation guidelines" on page 36, "Handling static-sensitive devices" on page 38, and "Turning off the server" on page 21.)
2. Any system-board switch or jumper blocks that are not shown in the illustrations in this document are reserved.

System-board LEDs

The following illustration shows the light-emitting diodes (LEDs) on the system board.

Note: Error LEDs remain lit only while the server is connected to power.



System pulse LEDs

The following LEDs are on the system board and monitor the system power-on and power-off sequencing and boot progress (see “System-board LEDs” for the location of these LEDs).

Table 8. System-pulse LEDs

LED	Description	Action
Enclosure manager heartbeat	Indicates the status of power-on and power-off sequencing. When the server is connected to power, this LED flashes slowly to indicate that the enclosure manager is working correctly.	(Trained service technician only) If the server is connected to power and the LED is not flashing, replace the system board.

Table 8. System-pulse LEDs (continued)

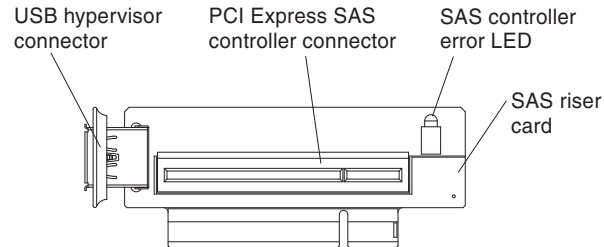
LED	Description	Action
IMM heartbeat	<p>Indicates the status of the boot process of the IMM.</p> <p>When the server is connected to power this LED flashes quickly to indicate that the IMM code is loading. When the loading is complete, the LED stops flashing briefly and then flashes slowly to indicate that the IMM is fully operational and you can press the power-control button to start the server.</p>	<p>If the LED does not begin flashing within 30 seconds of when the server is connected to power, complete the following steps:</p> <ol style="list-style-type: none"> 1. (Trained service technician only) Use the IMM recovery jumper to recover the firmware (see Table 3 on page 27 or Table 5 on page 29). 2. (Trained service technician only) Replace the system board.

SAS riser-card connectors and LEDs

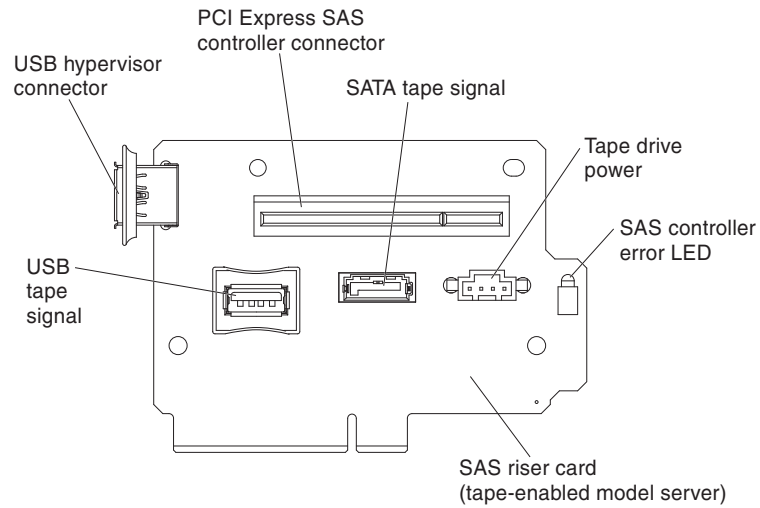
The following illustrations show the connectors and LEDs on the SAS riser cards.

Note: Error LEDs remain lit only while the server is connected to power.

A 12-drive-capable model server contains the riser card that is shown in the following illustration.

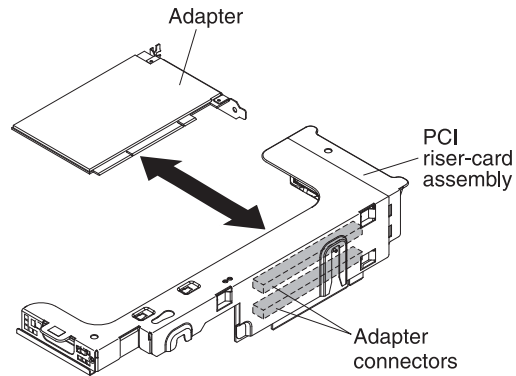


A tape-enabled model server contains the riser card that is shown in the following illustration.



PCI riser-card adapter connectors

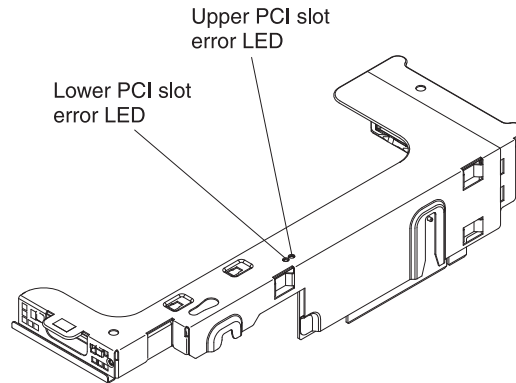
The following illustration shows the connectors on the PCI riser card for user-installable PCI adapters.



PCI riser-card assembly LEDs

The following illustration shows the light-emitting diodes (LEDs) on the PCI riser-card assembly.

Note: Error LEDs remain lit only while the server is connected to power.



Installation guidelines

Before you install optional devices, read the following information:

- Read the safety information that begins on page vii, the guidelines in “Working inside the server with the power on” on page 37, and “Handling static-sensitive devices” on page 38. This information will help you work safely.
- When you install your new server, take the opportunity to download and apply the most recent firmware updates. This step will help to ensure that any known issues are addressed and that your server is ready to function at maximum levels of performance. To download firmware updates for your server, complete the following steps:
 1. Go to <http://www.ibm.com/systems/support/>.
 2. Under **Product support**, click **System x**.
 3. Under **Popular links**, click **Software and device drivers**.
 4. Click **System x3650 M2** to display the matrix of downloadable files for the server.

For additional information about tools for updating, managing, and deploying firmware, see the System x and xSeries Tools Center at <http://publib.boulder.ibm.com/infocenter/toolsctr/v1r0/index.jsp>.

- Before you install optional hardware, make sure that the server is working correctly. Start the server, and make sure that the operating system starts, if an operating system is installed, or that a 19990305 error code is displayed, indicating that an operating system was not found but the server is otherwise working correctly. If the server is not working correctly, see “Solving problems” in the *Installation Guide* on the IBM *Documentation* CD for diagnostic information.
- Observe good housekeeping in the area where you are working. Place removed covers and other parts in a safe place.
- If you must start the server while the cover is removed, make sure that no one is near the server and that no tools or other objects have been left inside the server.
- Do not attempt to lift an object that you think is too heavy for you. If you have to lift a heavy object, observe the following precautions:
 - Make sure that you can stand safely without slipping.
 - Distribute the weight of the object equally between your feet.
 - Use a slow lifting force. Never move suddenly or twist when you lift a heavy object.
 - To avoid straining the muscles in your back, lift by standing or by pushing up with your leg muscles.
- Make sure that you have an adequate number of properly grounded electrical outlets for the server, monitor, and other devices.
- Back up all important data before you make changes to disk drives.
- Have a small flat-blade screwdriver available.
- To view the error LEDs on the system board and internal components, leave the server connected to power.
- You do not have to turn off the server to install or replace hot-swap fans, redundant hot-swap ac power supplies, or hot-plug Universal Serial Bus (USB) devices. However, you must turn off the server before you perform any steps that involve removing or installing adapter cables or non-hot-swap optional devices or components.

- Blue on a component indicates touch points, where you can grip the component to remove it from or install it in the server, open or close a latch, and so on.
- Orange on a component or an orange label on or near a component indicates that the component can be hot-swapped, which means that if the server and operating system support hot-swap capability, you can remove or install the component while the server is running. (Orange can also indicate touch points on hot-swap components.) See the instructions for removing or installing a specific hot-swap component for any additional procedures that you might have to perform before you remove or install the component.
- When you are finished working on the server, reinstall all safety shields, guards, labels, and ground wires.
- For a list of supported optional devices for the server, see <http://www.ibm.com/servers/eserver/serverproven/compat/us/>.

System reliability guidelines

To help ensure proper system cooling and system reliability, make sure that the following requirements are met:

- Each of the drive bays has a drive or a filler panel and electromagnetic compatibility (EMC) shield installed in it.
- If the server has redundant power, each of the power-supply bays has a power supply installed in it.
- There is adequate space around the server to allow the server cooling system to work properly. Leave approximately 50 mm (2.0 in.) of open space around the front and rear of the server. Do not place objects in front of the fans. For proper cooling and airflow, replace the server cover before you turn on the server. Operating the server for extended periods of time (more than 30 minutes) with the server cover removed might damage server components.
- You have followed the cabling instructions that come with optional adapters.
- You have replaced a failed fan within 48 hours.
- You have replaced a hot-swap fan within 30 seconds of removal.
- You have replaced a hot-swap drive within 2 minutes of removal.
- You do not operate the server without the air baffles installed. Operating the server without the air baffles might cause the microprocessors to overheat.
- Microprocessor 2 air baffle and DIMM air baffle are installed.
- The light path diagnostics panel is not pulled out of the server.

Working inside the server with the power on

Attention: Static electricity that is released to internal server components when the server is powered-on might cause the server to halt, which might result in the loss of data. To avoid this potential problem, always use an electrostatic-discharge wrist strap or other grounding system when you work inside the server with the power on.

The server supports hot-plug, hot-add, and hot-swap devices and is designed to operate safely while it is turned on and the cover is removed. Follow these guidelines when you work inside a server that is turned on:

- Avoid wearing loose-fitting clothing on your forearms. Button long-sleeved shirts before working inside the server; do not wear cuff links while you are working inside the server.
- Do not allow your necktie or scarf to hang inside the server.

- Remove jewelry, such as bracelets, necklaces, rings, and loose-fitting wrist watches.
- Remove items from your shirt pocket, such as pens and pencils, that might fall into the server as you lean over it.
- Avoid dropping any metallic objects, such as paper clips, hairpins, and screws, into the server.

Handling static-sensitive devices

Attention: Static electricity can damage the server and other electronic devices. To avoid damage, keep static-sensitive devices in their static-protective packages until you are ready to install them.

To reduce the possibility of damage from electrostatic discharge, observe the following precautions:

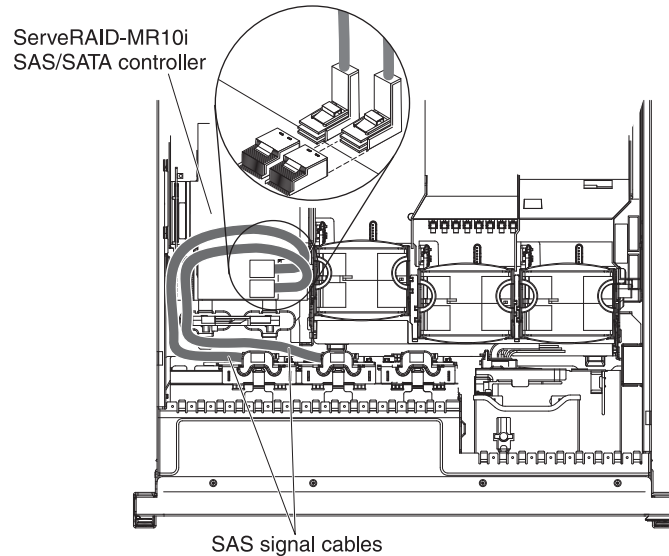
- Limit your movement. Movement can cause static electricity to build up around you.
- The use of a grounding system is recommended. For example, wear an electrostatic-discharge wrist strap, if one is available. Always use an electrostatic-discharge wrist strap or other grounding system when working inside the server with the power on.
- Handle the device carefully, holding it by its edges or its frame.
- Do not touch solder joints, pins, or exposed circuitry.
- Do not leave the device where others can handle and damage it.
- While the device is still in its static-protective package, touch it to an unpainted metal surface on the outside of the server for at least 2 seconds. This drains static electricity from the package and from your body.
- Remove the device from its package and install it directly into the server without setting down the device. If it is necessary to set down the device, put it back into its static-protective package. Do not place the device on the server cover or on a metal surface.
- Take additional care when handling devices during cold weather. Heating reduces indoor humidity and increases static electricity.

Internal cable routing and connectors

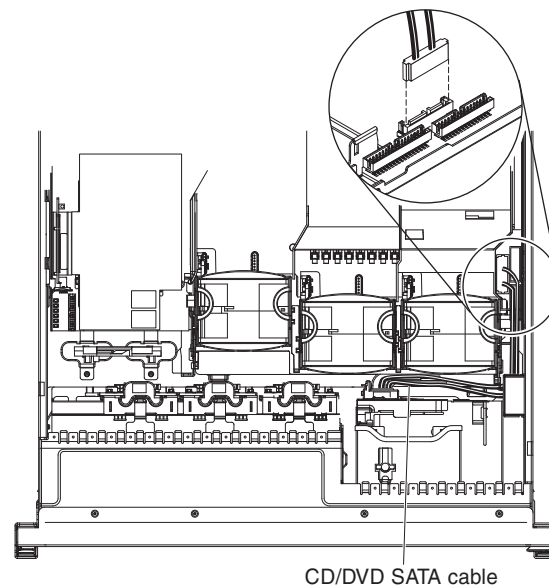
The following illustration shows the internal routing and connectors for the two SAS signal cables (in server models with eight SAS drive bays).

Notes:

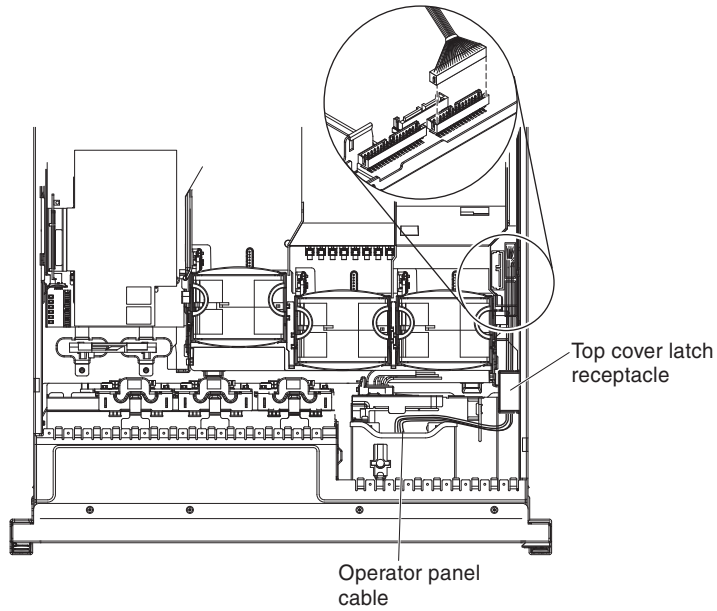
1. To connect the SAS signal cables, make sure that you first connect the signal cable, and then the power cable and signal cable.
2. To disconnect the SAS signal cables, make sure that you first disconnect the power cable, and then the signal cable and configuration cable.



The SATA cable is a combination power and signal cable with a shared connector on both ends. The following illustration shows the internal routing and connector for the SATA cable.

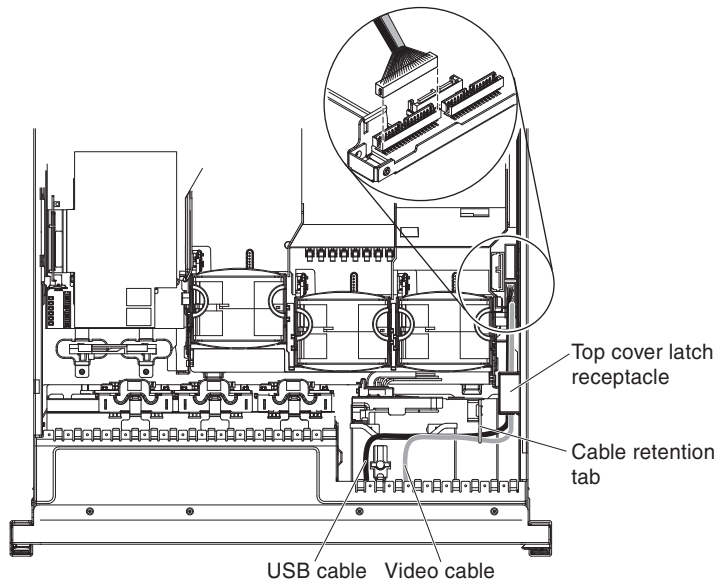


The following illustration shows the internal routing and connector for the operator information panel cable.

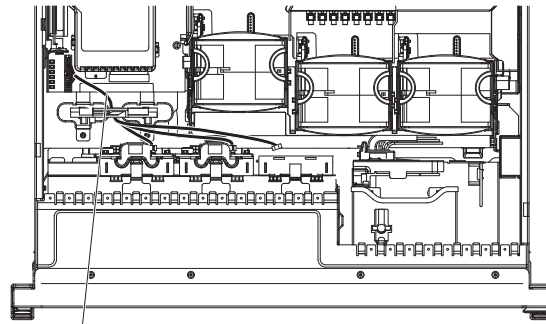


The following illustration shows the internal routing and connector for the USB/video cable.

Note: The USB cable is routed under the video cable and then both the USB and video cables are routed under the cable retention tab and the top cover latch receptacle.

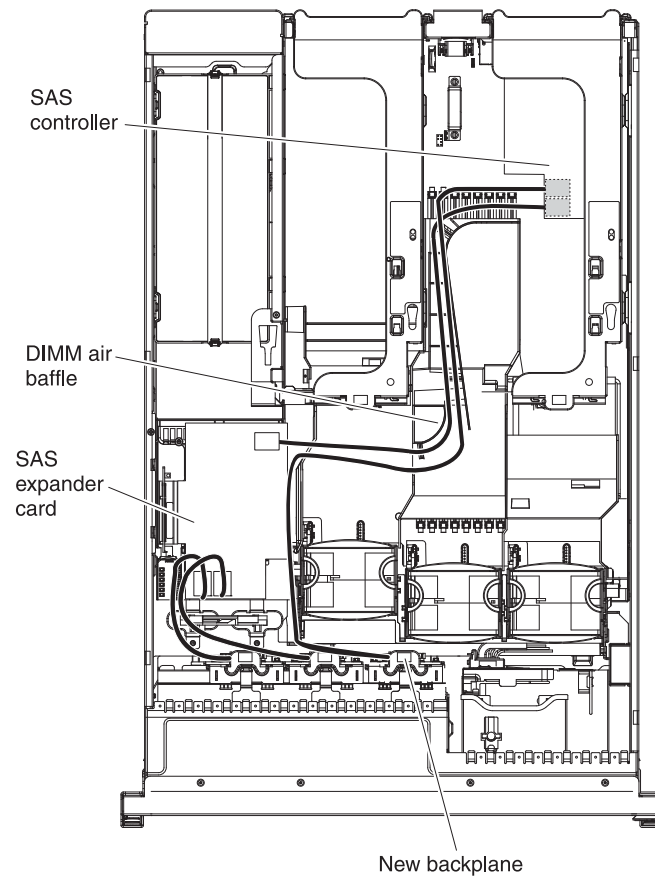


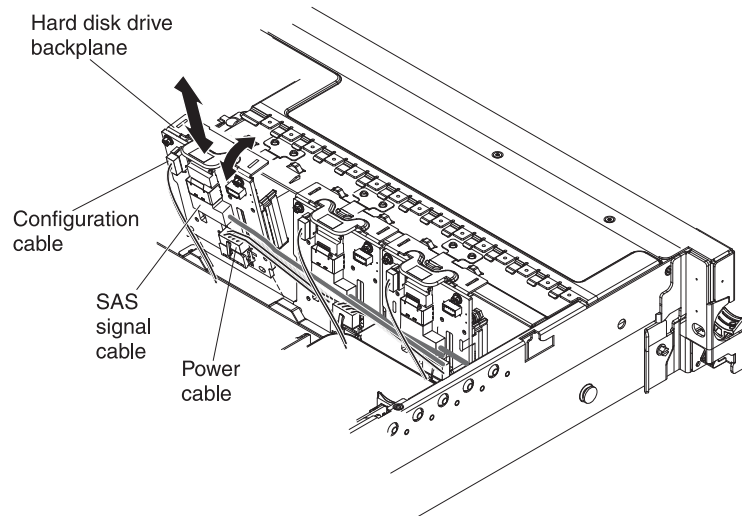
The following illustration shows the internal routing for the configuration cable.



Configuration cable
(3 backplane connectors)

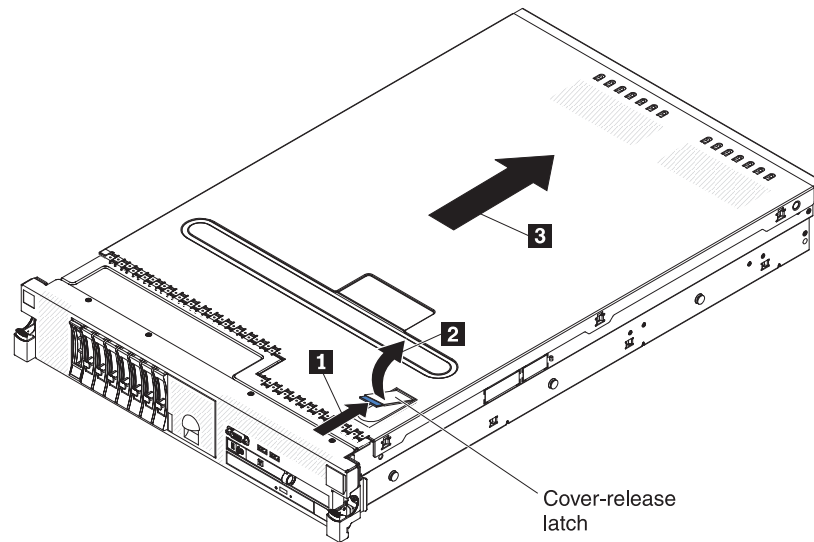
The following illustrations show the internal routing for the SAS hard disk drive backplane cables.





Removing the cover

The following illustration shows how to remove the cover.



Important: Before you install optional hardware, make sure that the server is working correctly. Start the server, and make sure that the operating system starts, if an operating system is installed, or that a 19990305 error code is displayed, indicating that an operating system was not found but the server is otherwise working correctly. If the server is not working correctly, see the *Problem Determination and Service Guide* for diagnostic information.

To remove the cover, complete the following steps:

1. Read the safety information that begins on page vii and “Installation guidelines” on page 36.
2. If you are planning to view the error LEDs that are on the system board and components, leave the server connected to power and go directly to step 4.
3. If you are planning to install or remove a microprocessor, memory module, PCI adapter, battery, or other non-hot-swap optional device, turn off the server and all attached devices and disconnect all external cables and power cords (see “Turning off the server” on page 21).
4. Press down on the left and right side latches and slide the server out of the rack enclosure until both slide rails lock.

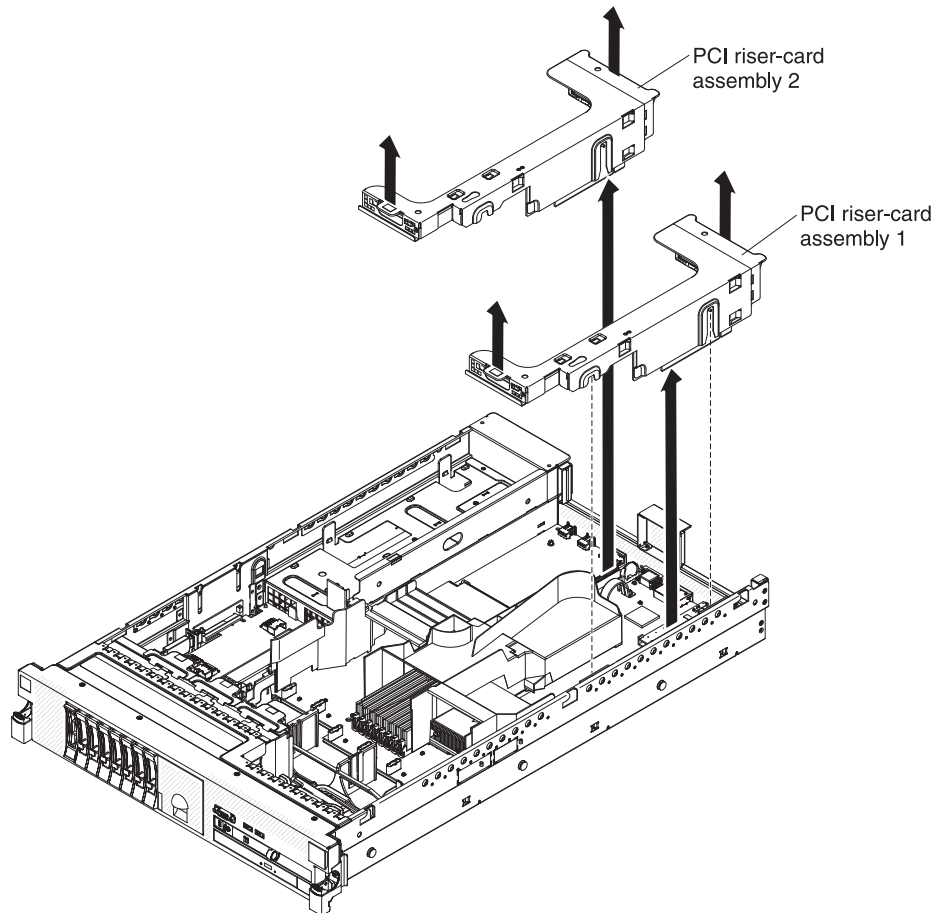
Note: You can reach the cables on the rear of the server when the server is in the locked position.

5. Press the blue latch **1** on the end of the cover-release latch and lift the cover-release latch **2**. Slide the cover toward the rear **3** and lift the cover off the server. Set the cover aside.

Attention: For proper cooling and airflow and to avoid damaging server components, replace the cover before you turn on the server. If you operate the server for extended periods of time (over 30 minutes) with the cover removed, the IMM turns off the server.

Removing a PCI riser-card assembly

The server comes with two riser-card assemblies that each contain two PCI Express x8 connectors. You can replace a PCI Express riser-card assembly with a riser-card assembly that contains one PCI Express Gen 2 x16 connector or that contains two PCI-X 64-bit 133 MHz connectors. See <http://www.ibm.com/servers/eserver/serverproven/compat/us/> for a list of riser-card assemblies that you can use with the server.



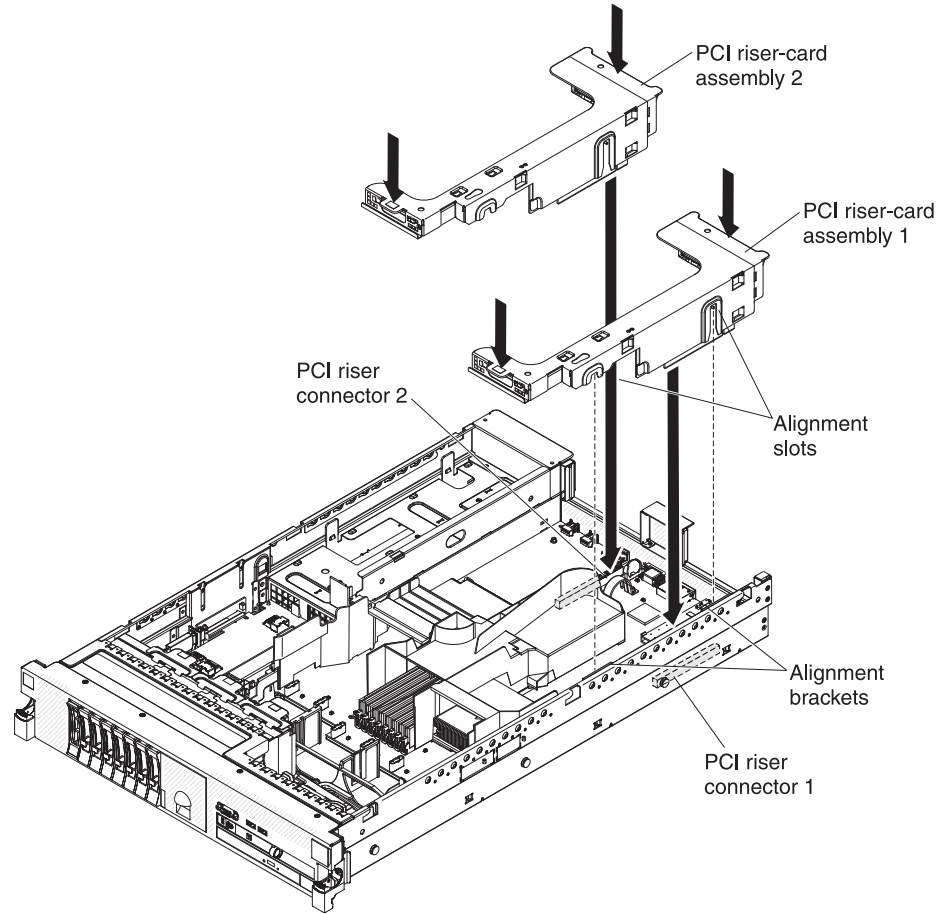
To remove the riser-card assembly, complete the following steps:

1. Read the safety information that begins on page vii and “Installation guidelines” on page 36.
2. Turn off the server and peripheral devices, and disconnect the power cord and all external cables.
3. Remove the cover (see “Removing the cover” on page 43).
4. Grasp the assembly at the front tab and rear edge and lift it to remove it from the server. Place the riser-card assembly on a flat, static-protective surface.

Installing a PCI riser-card assembly

To install a PCI riser-card assembly, complete the following steps.

Note: The illustrations in this document might differ slightly from your hardware.

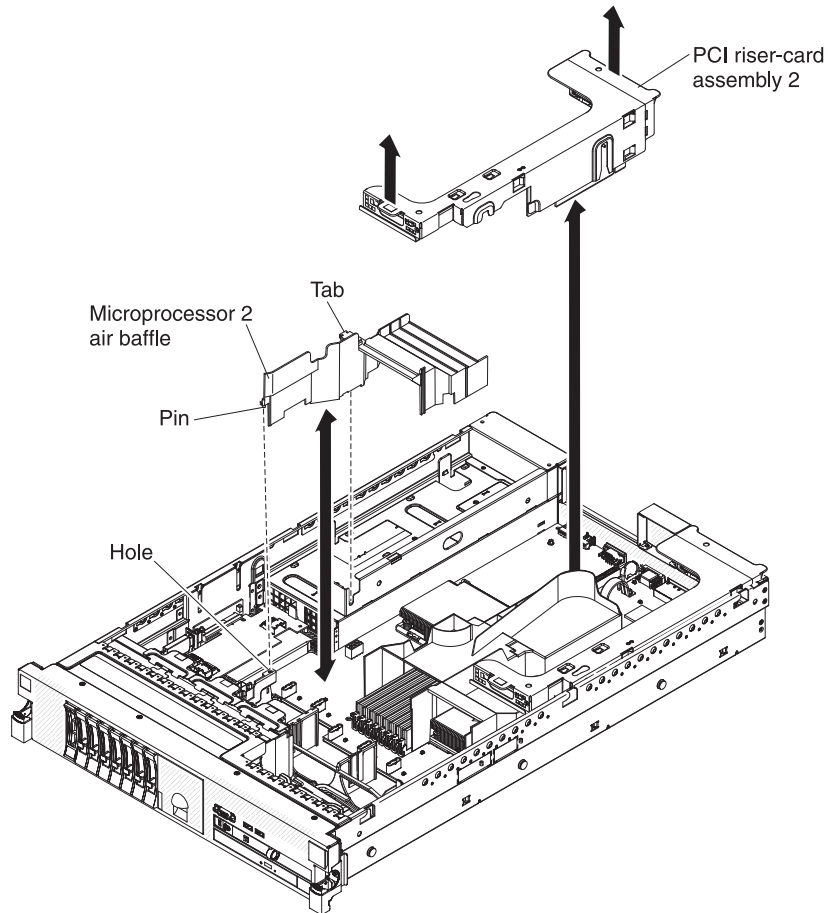


1. Read the safety information that begins on page vii and “Installation guidelines” on page 36.
2. Make sure that the server and all peripheral devices are turned off and that the power cords and all external cables are disconnected.
3. Reinstall any adapters and reconnect any internal cables that you removed in other procedures.
4. Align the PCI riser-card assembly with the selected PCI riser connector on the system board:
 - PCI riser connector 1: Carefully fit the two alignment slots on the side of the assembly onto the two alignment brackets in the side of the chassis.
 - PCI riser connector 2: Carefully align the bottom edge (the contact edge) of the riser-card assembly with the PCI riser connector on the system board.
5. Press down on the assembly. Make sure that the riser-card assembly is fully seated in the riser-card connector on the system board.

If you have other devices to install, do so now. Otherwise, go to “Completing the installation” on page 106.

Removing the microprocessor 2 air baffle

When you work with some optional devices, you must first remove the microprocessor 2 air baffle to access certain components. The following illustration shows how to remove the microprocessor 2 air baffle.

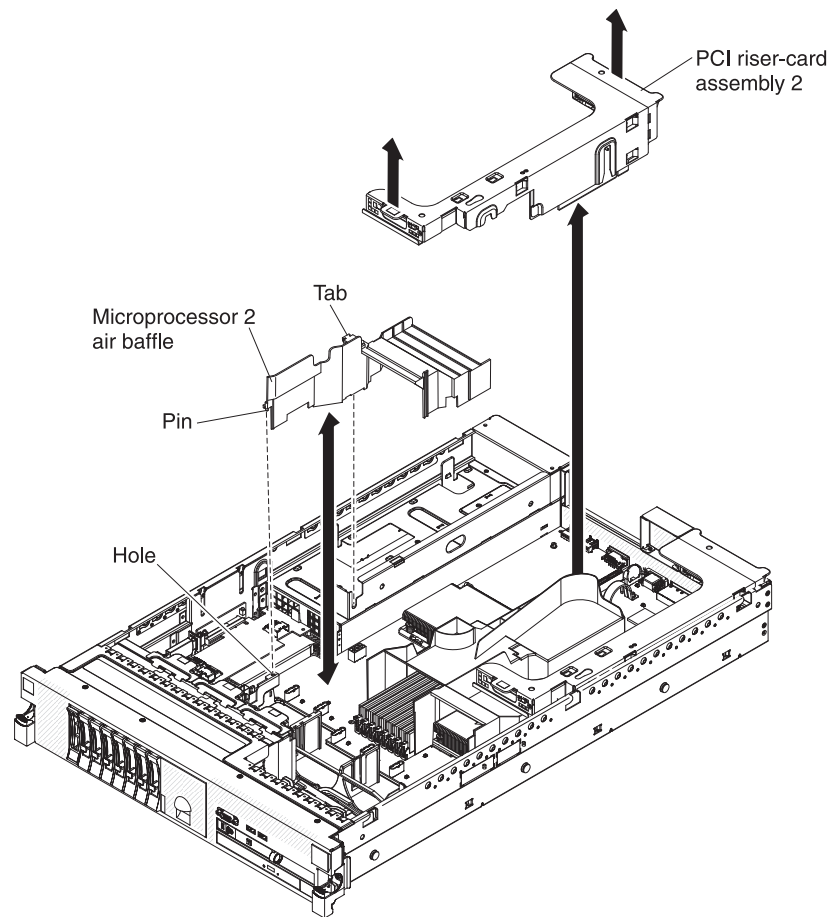


To remove the microprocessor 2 air baffle, complete the following steps:

1. Read the safety information that begins on page vii and “Installation guidelines” on page 36.
2. Turn off the server and peripheral devices and disconnect all power cords and external cables (see “Turning off the server” on page 21).
3. Remove the cover (see “Removing the cover” on page 43).
4. Remove PCI riser-card assembly 2 (see “Removing a PCI riser-card assembly” on page 44).
5. Grasp the top of the air baffle and lift the air baffle out of the server.

Attention: For proper cooling and airflow, replace all air baffles before you turn on the server. Operating the server with any air baffle removed might damage server components.

Installing the microprocessor 2 air baffle



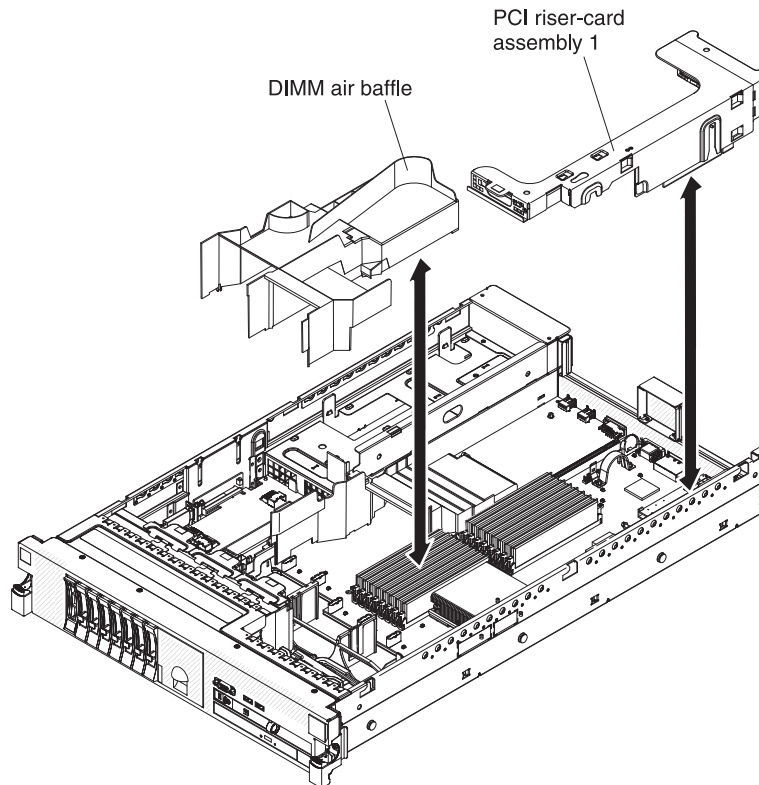
To install the microprocessor 2 air baffle, complete the following steps:

1. Read the safety information that begins on page vii and “Installation guidelines” on page 36.
2. Make sure that the server and peripheral devices are turned off (see “Turning off the server” on page 21) and that all power cords and external cables are disconnected.
3. Remove the cover (see “Removing the cover” on page 43).
4. Align the tab on the left side of the microprocessor 2 air baffle with the slot in the right side of the power-supply cage.
5. Lower the microprocessor 2 air baffle into the server. Make sure that the pin on the end of the air baffle is inserted into the hole on the system board (see the illustration).

Attention: For proper cooling and airflow, replace all air baffles before you turn on the server. Operating the server with any air baffle removed might damage server components.

Removing the DIMM air baffle

When you work with some optional devices, you must first remove the DIMM air baffle to access certain components or connectors on the system board. The following illustration shows how to remove the DIMM air baffle.



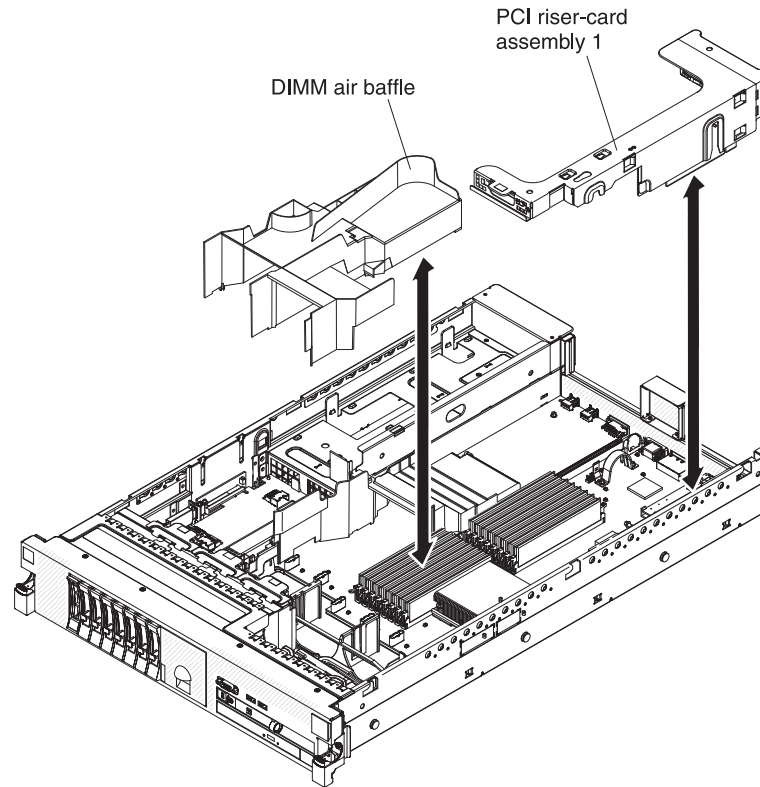
To remove the DIMM air baffle, complete the following steps:

1. Read the safety information that begins on page vii and “Installation guidelines” on page 36.
2. Turn off the server and peripheral devices and disconnect all power cords and external cables (see “Turning off the server” on page 21).
3. Remove the cover (see “Removing the cover” on page 43).
4. Remove PCI riser-card assembly 1, if needed (see “Removing a PCI riser-card assembly” on page 44).
5. Place your fingers under the front and back of the top of the air baffle; then, lift the air baffle out of the server.

Attention: For proper cooling and airflow, replace all air baffles before you turn on the server. Operating the server with any air baffle removed might damage server components.

Installing the DIMM air baffle

The following illustration shows how to install the DIMM air baffle.



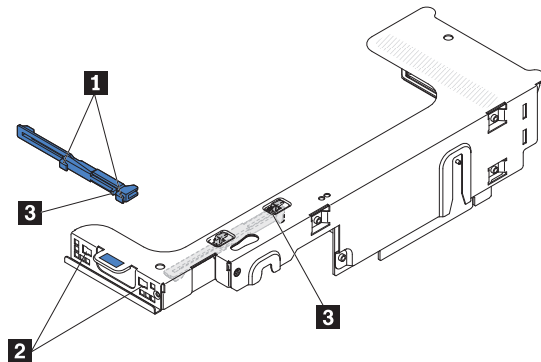
To install the DIMM air baffle, complete the following steps:

1. Read the safety information that begins on page vii and “Installation guidelines” on page 36.
2. Make sure that the server and peripheral devices are turned off (see “Turning off the server” on page 21) and that all power cords and external cables are disconnected.
3. Remove the cover (see “Removing the cover” on page 43).
4. Make sure that PCI riser-card assembly 1 is removed (see “Removing a PCI riser-card assembly” on page 44).
5. Align the DIMM air baffle with the DIMMs and the back of the fans.
6. Lower the air baffle into place.
7. Install PCI riser-card assembly 1, if needed (see “Installing a PCI riser-card assembly” on page 45).

Attention: For proper cooling and airflow, replace all air baffles before you turn on the server. Operating the server with any air baffle removed might damage server components.

Installing the full-length-adapter bracket

If you are installing a full-length adapter in the upper riser-card PCI slot, you must first install the full-length-adapter bracket in the end of the riser-card assembly.

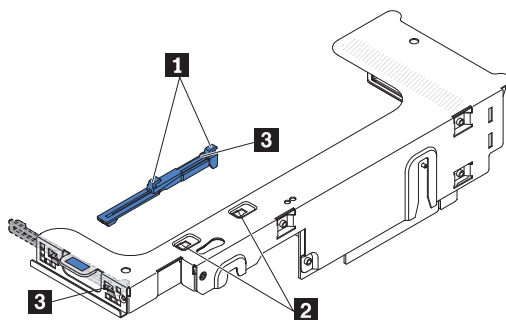


To install the full-length-adapter bracket, complete the following steps:

1. Orient the riser-card assembly as shown.
2. Remove the full-length-adapter bracket from the storage location.
 - a. Press the bracket tab **3** and slide the bracket toward the end of the riser-card assembly.
 - b. Push the bracket out of the storage location on the riser-card assembly.
3. Align the bracket with the end of the riser-card assembly as shown.
4. Place the two hooks **1** in the two openings **2** in the end of the riser-card assembly.
5. Press the bracket tab **3** and slide the bracket to the right until it clicks into place.
6. Return to the adapter-installation instructions.

Storing the full-length-adapter bracket

If you are removing a full-length adapter in the upper riser-card PCI slot and will replace it with a shorter adapter or no adapter, you must remove the full-length-adapter bracket from the end of the riser-card assembly and return the bracket to its storage location.



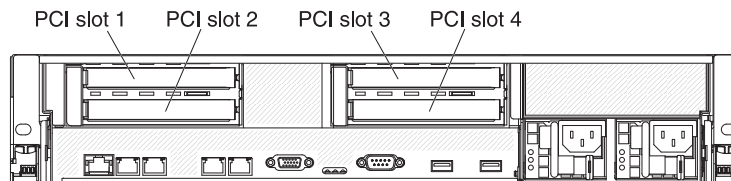
To remove and store the full-length-adapter bracket, complete the following steps:

1. Press the bracket tab **3** and slide the bracket to the left until the bracket falls free of the riser-card assembly.
2. Align the bracket with the storage location on the riser-card assembly as shown.
3. Place the two hooks **1** in the two openings **2** in the storage location on the riser-card assembly.

4. Press the bracket tab **3** and slide the bracket toward the expansion-slot-opening end of the assembly until the bracket clicks into place.
5. Return to “Installing a PCI adapter” or “Installing a PCI riser-card assembly” on page 45, as applicable.

Installing a PCI adapter

The following illustration shows the PCI adapter expansion slots from the rear of the server.



The following notes describe the types of adapters that the server supports and other information that you must consider when you install an adapter:

- Locate the documentation that comes with the adapter and follow those instructions in addition to the instructions in this section. If you have to change switch settings or jumper settings on the adapter, follow the instructions that come with the adapter.
- To ensure that a ServeRAID-10i, ServeRAID-10is, or ServeRAID-10M adapter works correctly in your UEFI-based server, make sure that the adapter firmware is at the latest level.

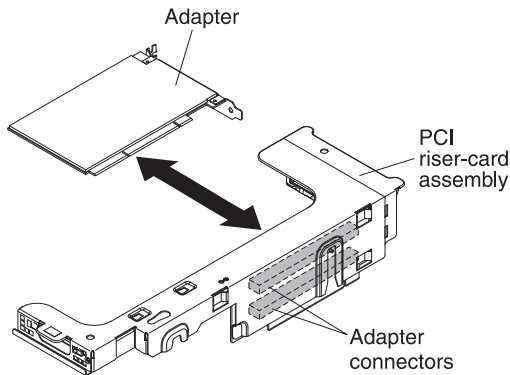
Important: Some cluster solutions require specific code levels or coordinated code updates. If the device is part of a cluster solution, verify that the latest level of code is supported for the cluster solution before you update the code.

- Some high performance video adapters are supported by your server. See <http://www.ibm.com/servers/eserver/serverproven/compat/us/> for more information.
- The following notes describe important information about the NVIDIA video adapter that comes preinstalled in some server models:
 - Do not set the maximum digital video resolution above 1600 x 1200 at 75 MHz for an LCD monitor. This is the highest resolution that is supported for an optional video adapter in the server.
 - Any high-definition video-out connector or stereo connector on an optional video adapter is not supported.
- A PCI Express Gen 2 x16 riser card can support only one adapter.
- A PCI Express Gen 2 x8 riser card and a PCI-X riser card can each support two adapters.
- The expansion slots in the PCI riser cards accommodate the various form factors of the non-hot-plug adapters as follows:
 - Expansion slot 1: Full-height, full-length
 - Expansion slot 2: Low-profile with standard bracket
 - Expansion slot 3: Full-height, full-length
 - Expansion slot 4: Full-height, half-length

If you install a different supported riser-card assembly, the supported adapter types might be different. For a list of supported riser-card assemblies, see <http://www.ibm.com/servers/eserver/serverproven/compat/us/>.

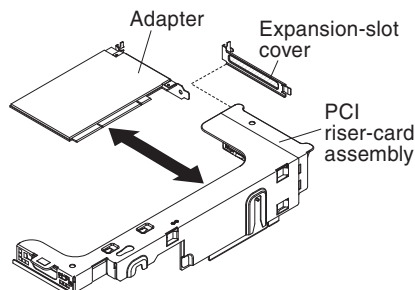
- The system scans devices in the following order, if you have not changed the default boot precedence:
 - Video Unified Extensible Firmware Interface (UEFI) (fixed)
 - System board Ethernet 1 PXE (fixed)
 - System board Ethernet 2 PXE (fixed)
 - System board SAS (or RAID)

The following illustration shows the adapter connectors on the PCI riser-card assembly.



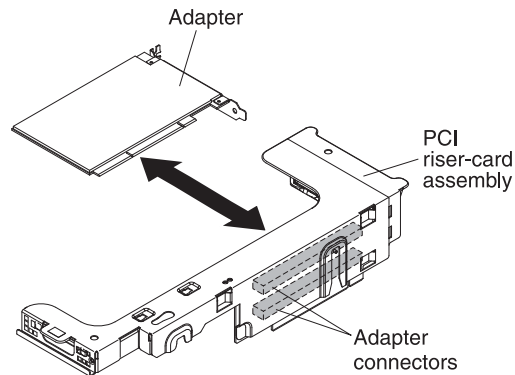
To install a PCI adapter, complete the following steps:

1. Read the safety information that begins on page vii and “Installation guidelines” on page 36.
2. Turn off the server and peripheral devices and disconnect all power cords and external cables (see “Turning off the server” on page 21).
3. Remove the cover (see “Removing the cover” on page 43).
4. Determine which expansion slot you will use for the adapter.
5. If you are installing an adapter in PCI expansion slot 1 or 2, remove PCI riser-card assembly 1; if you are installing an adapter in PCI expansion slot 3 or 4, remove PCI riser-card assembly 2. See “Removing a PCI riser-card assembly” on page 44.
6. Slide the expansion-slot cover out of the PCI riser-card assembly expansion slot.



7. Install the adapter:
 - a. If the adapter is a full-length adapter for the upper expansion slot in the riser card, remove the full-length-adapter bracket from underneath the top of the riser-card assembly and insert it in the end of the upper expansion slot of the riser-card assembly. See “Installing the full-length-adapter bracket” on page 50 for instructions.

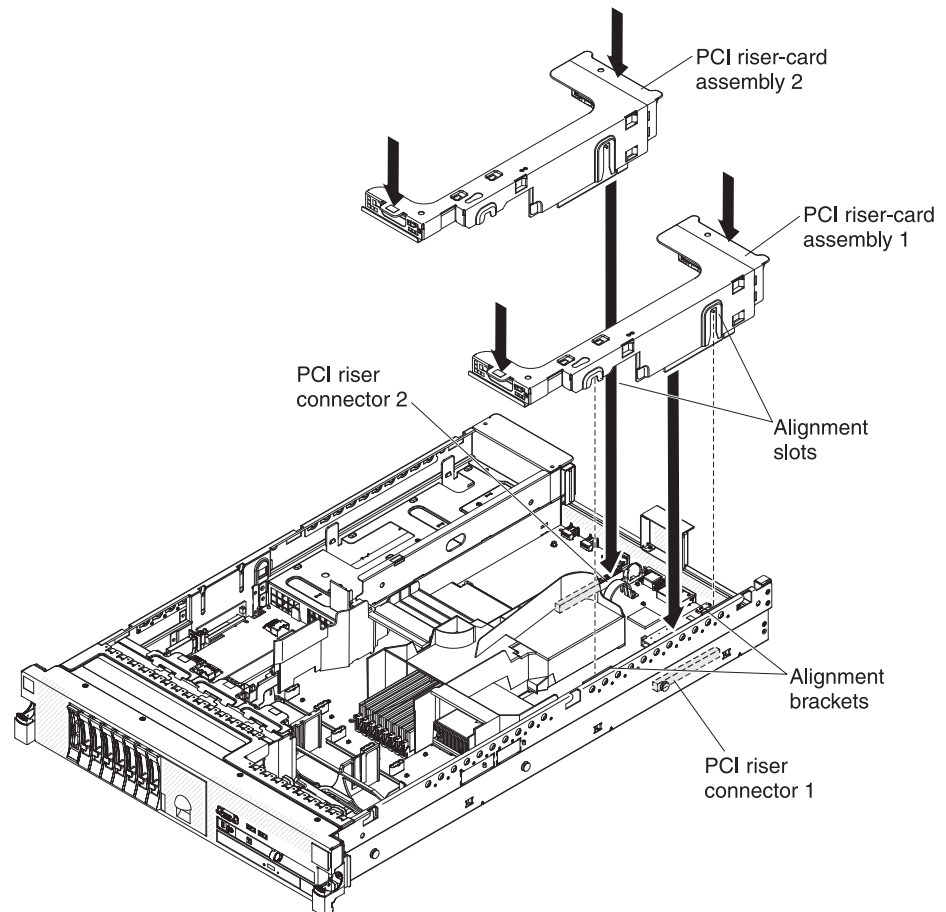
- b. Align the adapter with the adapter connector on the riser-card and the guide on the external end of the PCI riser-card assembly.
- c. Press the adapter firmly into the adapter connector on the riser card.



8. Connect any required cables to the adapter.

Attention:

- When you route cables, do not block any connectors or the ventilated space around any of the fans.
 - Make sure that cables are not routed on top of components that are under the PCI riser-card assembly.
 - Make sure that cables are not pinched by the server components.
9. Align the PCI riser-card assembly with the selected PCI riser connector on the system board.

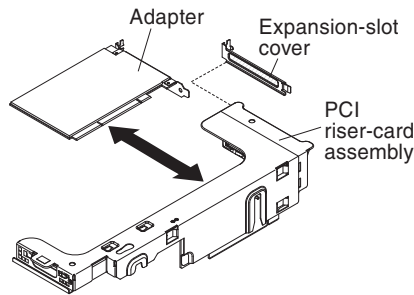


- PCI riser connector 1: Carefully fit the two alignment slots on the side of the assembly onto the two alignment brackets in the side of the chassis; align the rear of the assembly with the guides on the rear of the server.
 - PCI riser connector 2: Carefully align the bottom edge (the contact edge) of the riser-card assembly with the PCI riser-card connector on the system board; align the rear of the assembly with the guides on the rear of the server.
10. Press down on the assembly. Make sure that the riser-card assembly is fully seated in the PCI riser-card connector on the system board.
 11. Perform any configuration tasks that are required for the adapter.

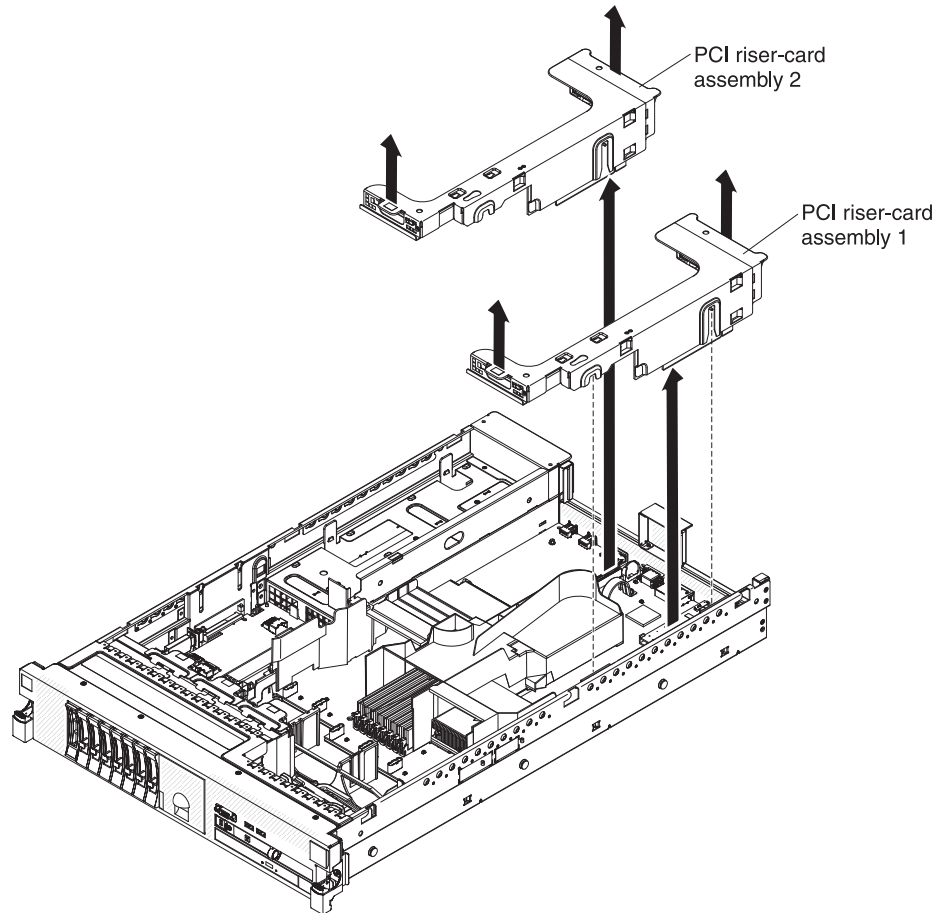
If you have other devices to install or remove, do so now. Otherwise, go to “Completing the installation” on page 106.

Removing a PCI adapter

To remove an adapter from a PCI riser-card assembly, complete the following steps.



1. Read the safety information that begins on page vii and “Installation guidelines” on page 36.
2. Turn off the server and peripheral devices and disconnect all power cords and external cables (see “Turning off the server” on page 21).
3. Press down on the left and right side rack latches and slide the server out of the rack enclosure until both slide rails lock; then, remove the cover (see “Removing the cover” on page 43).

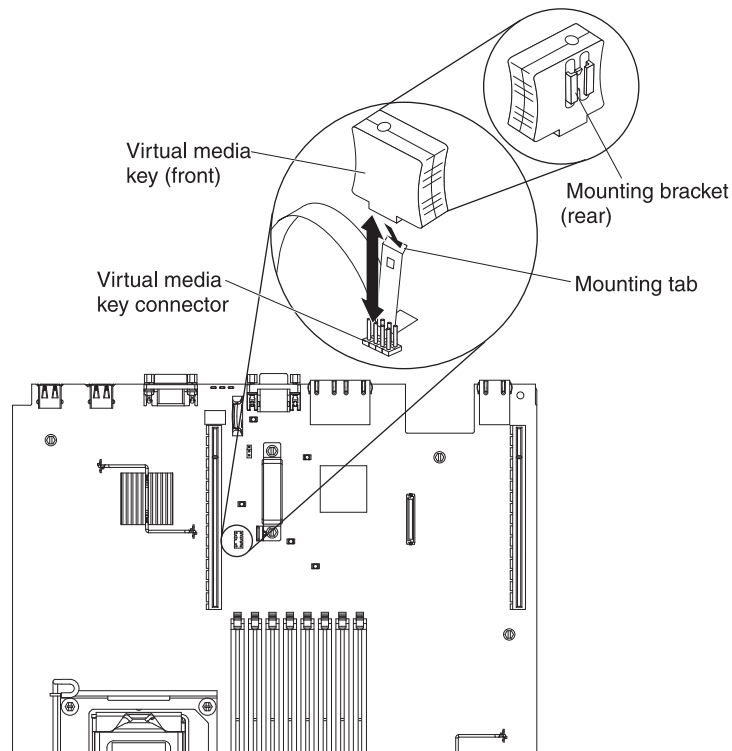


4. Remove the PCI riser-card assembly that contains the adapter (see “Removing a PCI riser-card assembly” on page 44).
5. Disconnect any cables from the adapter (make note of the cable routing, in case you reinstall the adapter later).
6. Carefully grasp the adapter by its top edge or upper corners, and pull the adapter from the PCI expansion slot.

If you have other devices to install or remove, do so now. Otherwise, go to “Completing the installation” on page 106.

Installing an IBM Virtual Media Key

The optional IBM Virtual Media Key enables the IMM remote presence and blue-screen capture capability. This feature provides graphical console redirection with remote keyboard and mouse interaction, plus remote diskette and CD/DVD drive support.



To install a virtual media key, complete the following steps:

1. Read the safety information that begins on page vii and “Installation guidelines” on page 36.
2. Turn off the server and peripheral devices and disconnect all power cords and external cables (see “Turning off the server” on page 21).
3. Remove the cover (see “Removing the cover” on page 43).
4. Align the mounting bracket on the rear of the virtual media key with the mounting tab and slide it down the tab onto the virtual media key connector on the system board. Press the virtual media key down into the connector until it is firmly seated on the system board.

If you have other devices to install or remove, do so now. Otherwise, go to “Completing the installation” on page 106.

Installing a hard disk drive

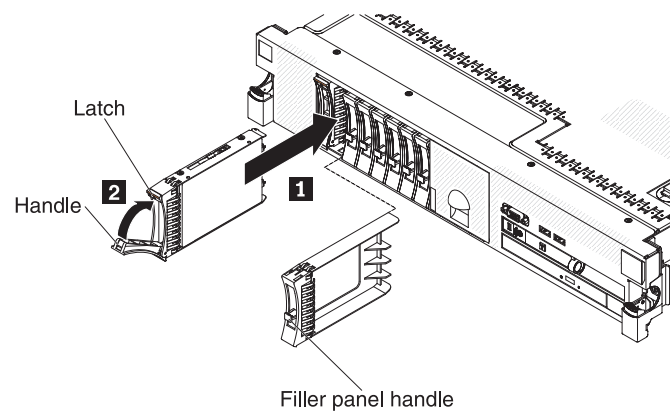
The following notes describe the type of hard disk drives that the server supports and other information that you must consider when you install a drive. For a list of supported drives, see <http://www.ibm.com/servers/eserver/serverproven/compat/us/>.

Important: Do not install a SCSI hard disk drive in this server.

- Locate the documentation that comes with the hard disk drive and follow those instructions in addition to the instructions in this chapter.
- The server supports eight 2.5-inch hot-swap hard disk drives installed on Ultra-Slim hard disk drive trays for 2.5-inch drives. An optional 4-drive-bay kit is available for 12-drive-capable server models. For a list of supported 2.5-inch hard disk drives, see <http://www.ibm.com/servers/eserver/serverproven/compat/us/>.

- All hot-swap drives in the server should have the same throughput speed rating. Using hard disk drives with different speed ratings will cause all drives to operate at the throughput speed of the slowest drive.
- The ID that is assigned to each bay is printed on the front of the server, above the drive bay.

The following illustration shows how to install a hot-swap hard disk drive.



To install a drive in a hot-swap bay, complete the following steps.

Attention: To maintain proper system cooling, do not operate the server for more than 10 minutes without either a drive or a filler panel installed in each bay.

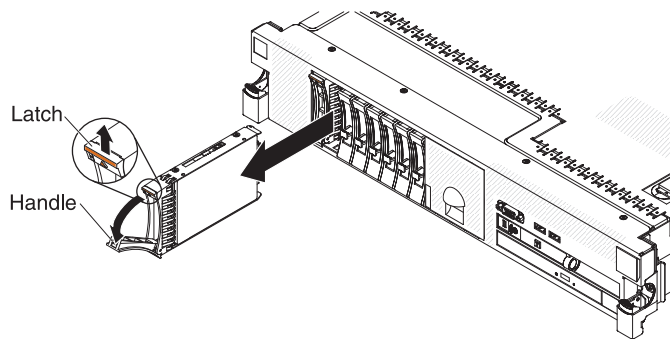
1. Read the safety information that begins on page vii, “Installation guidelines” on page 36, and “Handling static-sensitive devices” on page 38.
2. Remove the filler panel from one of the empty hot-swap bays: Grasp the filler panel handle and pull the filler panel away from the server.
3. Install the hard disk drive in the hot-swap bay:
 - a. Orient the drive as shown in the illustration.
 - b. Make sure that the tray handle is open.
 - c. Align the drive assembly with the guide rails in the bay.
 - d. Gently push the drive assembly into the bay until the drive stops **1**.
 - e. Push the tray handle to the closed (locked) position **2**.
 - f. If the system is turned on, check the hard disk drive status LED to verify that the hard disk drive is operating correctly.

After you install a hard disk drive, the green activity LED flashes as the disk spins up. The amber LED turn off after about 1 minute. If the new drive starts to rebuild, the amber LED flashes slowly and the green activity LED remains lit during the rebuild process. If the amber LED remains lit, see the *Problem Determination and Service Guide* on the IBM Documentation CD for hard disk drive problem solutions.

Note: You might have to reconfigure the disk arrays after you install hard disk drives. See the RAID documentation on the IBM *ServeRAID Support* CD for information about RAID controllers.

If you have other devices to install or remove, do so now. Otherwise, go to “Completing the installation” on page 106.

Removing a hard disk drive



To remove a hot-swap hard disk drive, complete the following steps:

1. Read the safety information that begins on page vii, “Installation guidelines” on page 36, and “Handling static-sensitive devices” on page 38.
2. Press up on the release latch at the top of the drive front.
3. Move the handle on the drive to the open position (perpendicular to the drive).
4. Pull the hot-swap drive assembly out of the bay approximately 25 mm (1 in.). Wait approximately 45 seconds while the drive spins down before you remove the drive assembly completely from the bay.

Note: You might have to reconfigure the disk arrays after you remove a hard disk drive. See the RAID documentation on the IBM *ServeRAID Support* CD for information about RAID controllers.

If you have other devices to install or remove, do so now. Otherwise, go to “Completing the installation” on page 106.

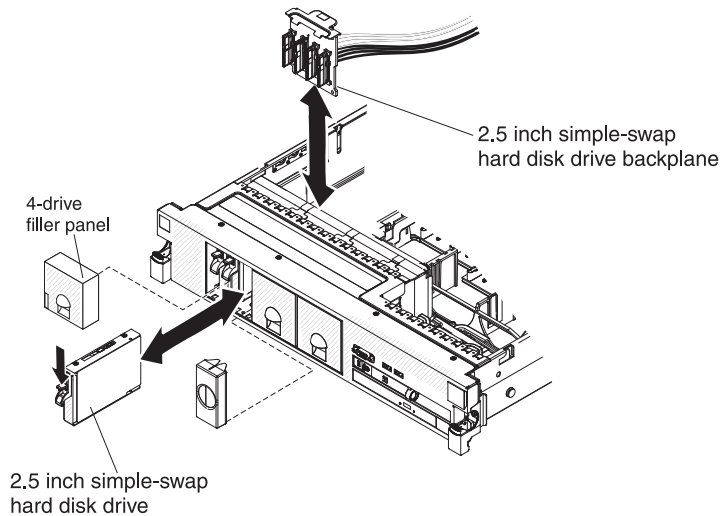
Installing a simple-swap hard disk drive

Locate the documentation that comes with the hard disk drive and follow those instructions in addition to the instructions in this section.

Simple-swap models do not support the SAS hot-swap backplane or the SAS riser card.

For information about the type of hard disk drive that the server supports and other information that you must consider when installing a hard disk drive, see the *Installation and User's Guide* on the IBM *Documentation CD*.

Important: Do not install a SCSI hard disk drive in this server.



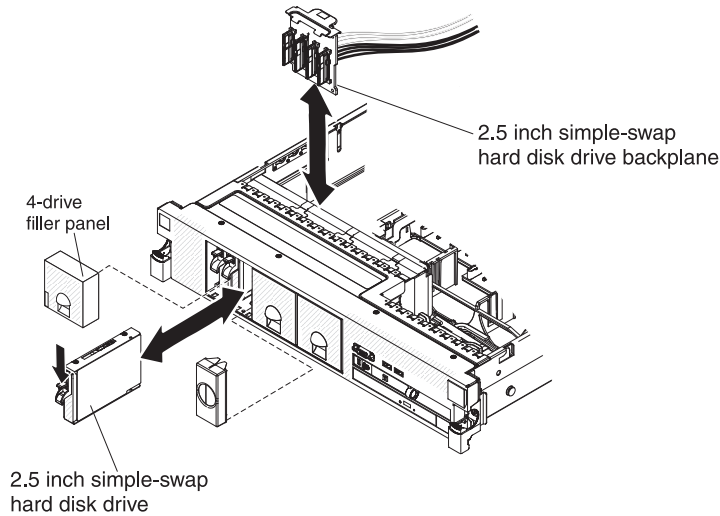
To install a drive in a simple-swap bay, complete the following steps.

Attention: To maintain proper system cooling, do not operate the server for more than 10 minutes without either a drive or a filler panel installed in each bay.

1. Install the 2.5 inch simple-swap hard disk drive backplane.
2. Remove the drive filler panel from the front of the server.
3. Orient the drive as shown in the illustration.
4. Make sure that the tray handle is open.
5. Align the drive assembly with the guide rails in the bay.
6. Gently push the drive assembly into the bay until the drive stops.
7. Push the tray handle to the closed (locked) position.
8. If the system is turned on, check the hard disk drive status LED to verify that the hard disk drive is operating correctly.

Note: You might have to reconfigure the disk arrays after you install hard disk drives. See the RAID documentation on the IBM *ServeRAID Support CD* for information about RAID controllers.

Removing a simple-swap hard disk drive



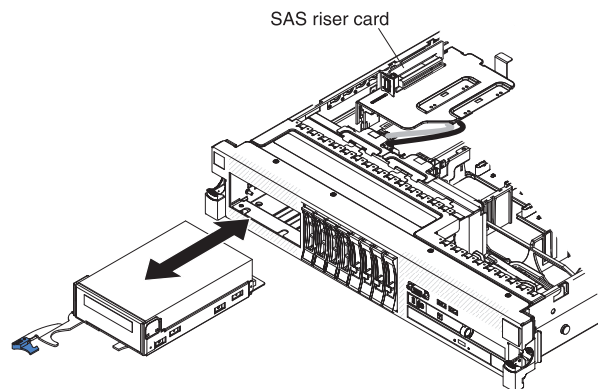
Attention: To maintain proper system cooling, do not operate the server for more than 10 minutes without either a drive or a filler panel installed in each bay.

To remove a hard disk drive from a simple-swap bay, complete the following steps.

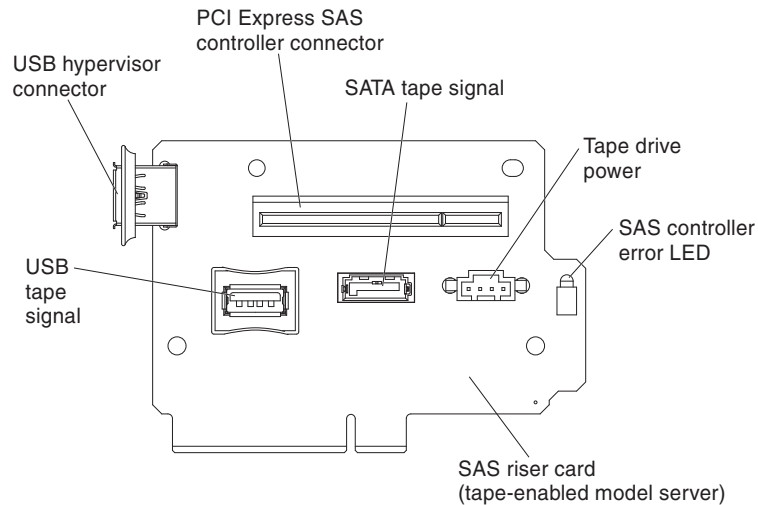
1. Read the safety information that begins on page vii, “Installation guidelines” on page 36, and “Handling static-sensitive devices” on page 38.
2. Press up on the release latch at the top of the drive front.
3. Rotate the handle on the drive downward to the open position.
4. Pull the simple-swap drive assembly out of the bay approximately 25 mm (1 inch). Wait approximately 45 seconds while the drive spins down before you remove the drive assembly completely from the bay.

Installing an optional tape drive

The following illustration shows how to install an optional tape drive.

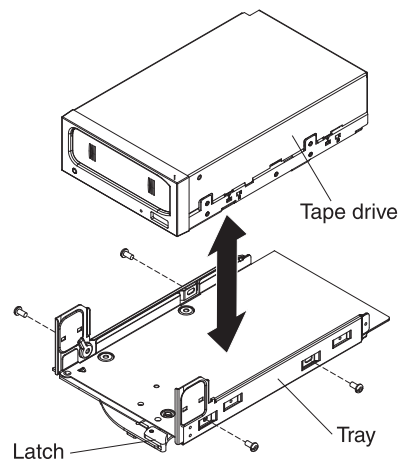


Important: If your server contains a tape-drive bay and the following SAS riser card, you can install a tape drive.



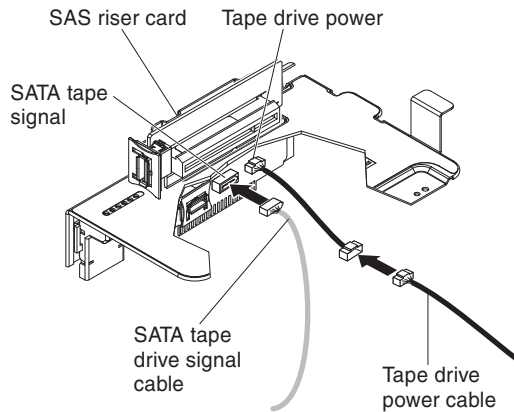
To install a SATA or USB tape drive, complete the following steps:

1. Read the safety information that begins on page vii, “Installation guidelines” on page 36, and “Handling static-sensitive devices” on page 38.
2. Turn off the server and peripheral devices, and disconnect the power cords and all external cables.
3. Remove the drive tray from the server.
4. Install the tape drive on the tray as shown in the following illustration. If the tape drive comes with a metal spacer attached, remove the spacer before you install the tape drive on the tray.

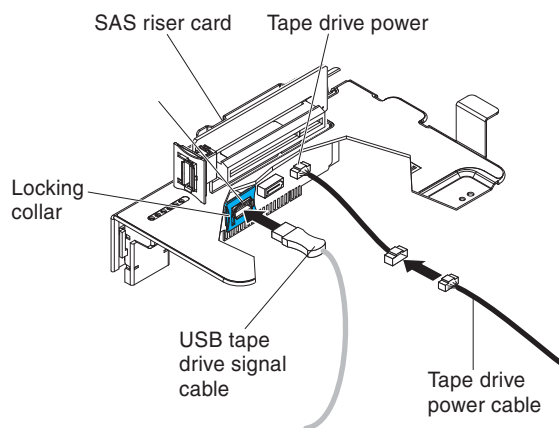


5. Prepare the drive according to the instructions that come with the drive, setting any switches or jumpers.
6. Remove the server cover (see “Removing the cover” on page 43).
7. Remove the filler panel from the tape-drive bay.
8. Remove the SAS riser-card and controller assembly (see “Removing the SAS riser-card and controller assembly” on page 91).
9. Make sure that the tape cables are connected securely to the following connectors on the SAS riser card:
 - Tape power cable: tape power connector
 - Tape signal cable that came with the tape drive: SATA tape signal connector (SATA drive only) or USB tape connector (USB drive only)

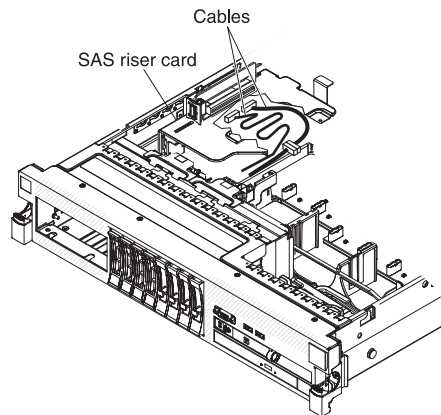
The following illustration shows how to connect the SATA tape drive cables.



The following illustration shows how to connect the USB tape drive cables.



10. Install the SAS riser-card and controller assembly (see “Installing the SAS riser-card and controller assembly” on page 92). Fold the excess length of the cables under the SAS controller assembly.



11. Slide the tape-drive assembly most of the way into the tape-drive bay.
12. Connect the signal and power cables from the SAS riser card to the back of the tape drive.
13. Make sure all the cables are out of the way, and slide the tape-drive assembly the rest of the way into the tape-drive bay.
14. Push the latch to the closed (locked) position.

If you have other devices to install or remove, do so now. Otherwise, go to “Completing the installation” on page 106.

Installing a SAS/SATA 4 Pac HDD option

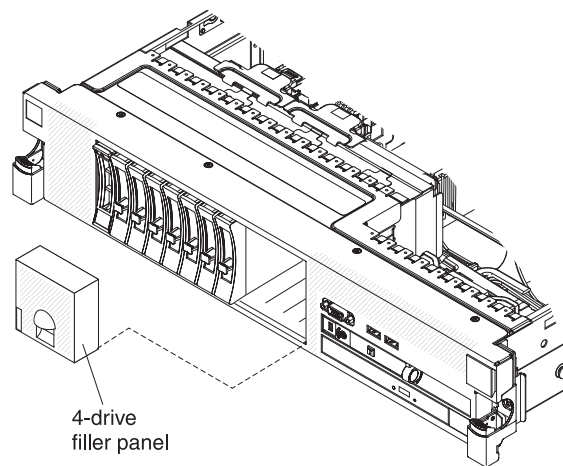
If the server is a 12-drive-capable model with eight hard disk drive bays installed, you can install an IBM System x3650 M2 Hot-swap SAS/SATA 4 Pac HDD option. See <http://www.ibm.com/servers/eserver/serverproven/compat/us/> for a list of supported optional devices. To order a SAS/SATA 4 Pac HDD option, contact your IBM marketing representative or authorized reseller.

The SAS/SATA 4 Pac HDD option kit contains the following components:

- One 2.5-inch hard disk drive backplane
- Two SAS signal cables (one cable has a right-angle connector)
- One internal power cable
- One SAS expander card
- Four hard disk drive bay filler panels
- SAS controller front retention bracket
- Remote battery cable, interposer card, and screw

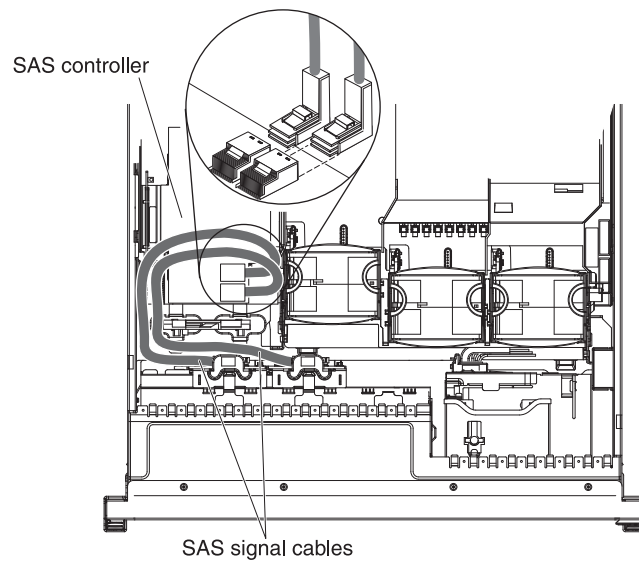
To install a 4-disk-drive optional expansion device in a 12-drive-capable server model, complete the following steps:

1. Read the safety information that begins on page vii and “Installation guidelines” on page 36.
2. Turn off the server and disconnect all power cords and external cables (see “Turning off the server” on page 21).
3. Remove the server cover (see “Removing the cover” on page 43).
4. Remove the 4-drive filler panel that is to the right of drive bay 8, beneath the IDs 8 - 11 on the front bezel.

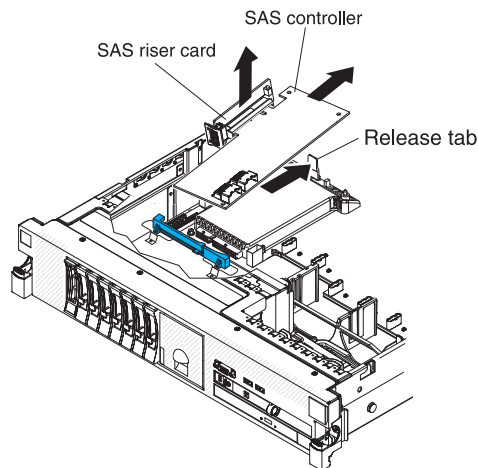


5. To obtain more working room, remove fans 2 and 3 (see “Removing a hot-swap fan” on page 89).
6. Pull the hard disk drives or fillers out of the server slightly to disengage them from the backplanes. For more information, see “Removing a hard disk drive” on page 58.

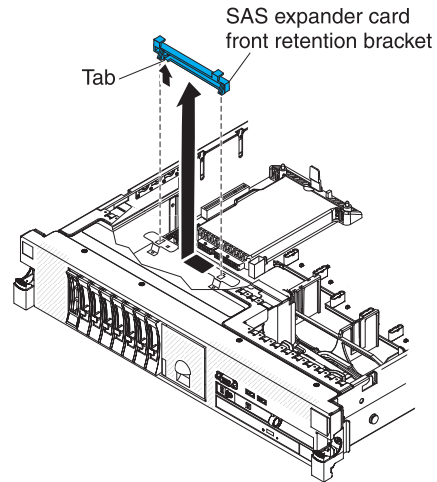
7. Disconnect the SAS signal cables from the SAS controller, which is connected to the SAS riser card. Leave the other end of the SAS signal cables connected to the hard disk drive backplanes.



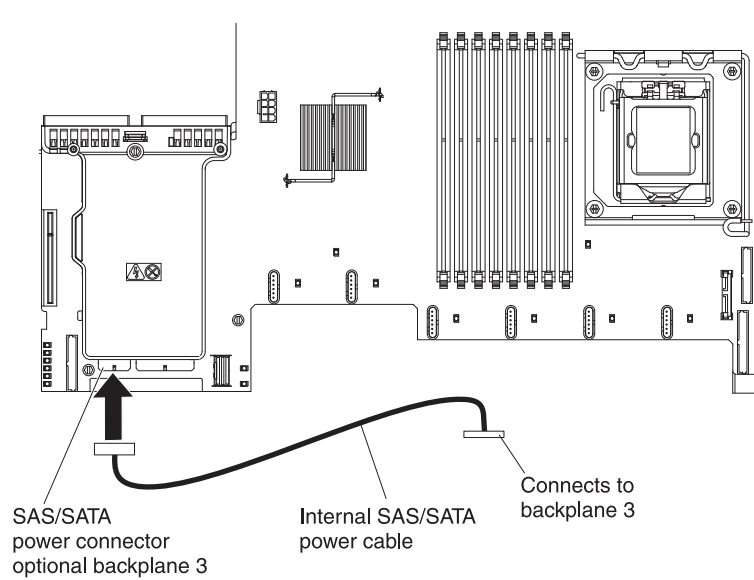
8. Remove the SAS controller assembly from the server; then, remove the SAS controller from the SAS riser card. See “Removing a ServeRAID SAS controller from the SAS riser card” on page 93 for instructions.



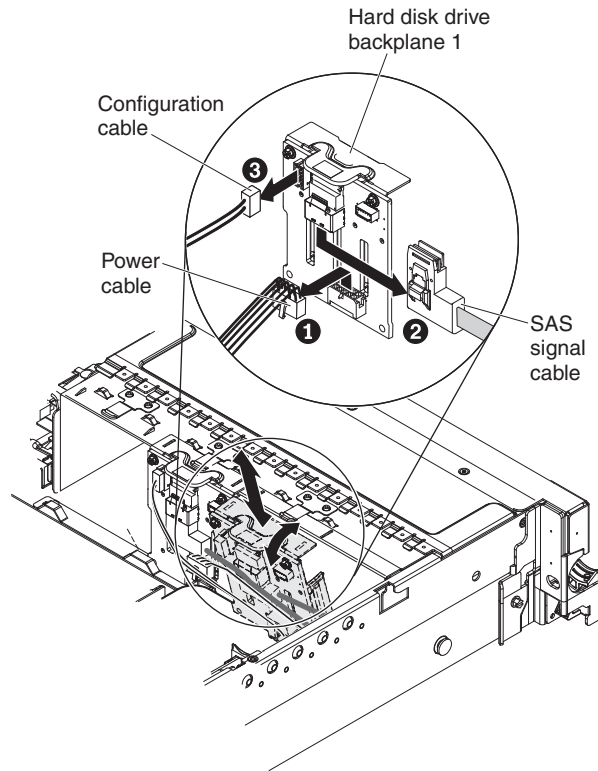
9. Remove the SAS controller front retention bracket from the server.



10. Connect one end of the internal power cable that comes with the 4 Pac HDD option kit into the empty hot-swap SAS/SATA power connector on the system board.



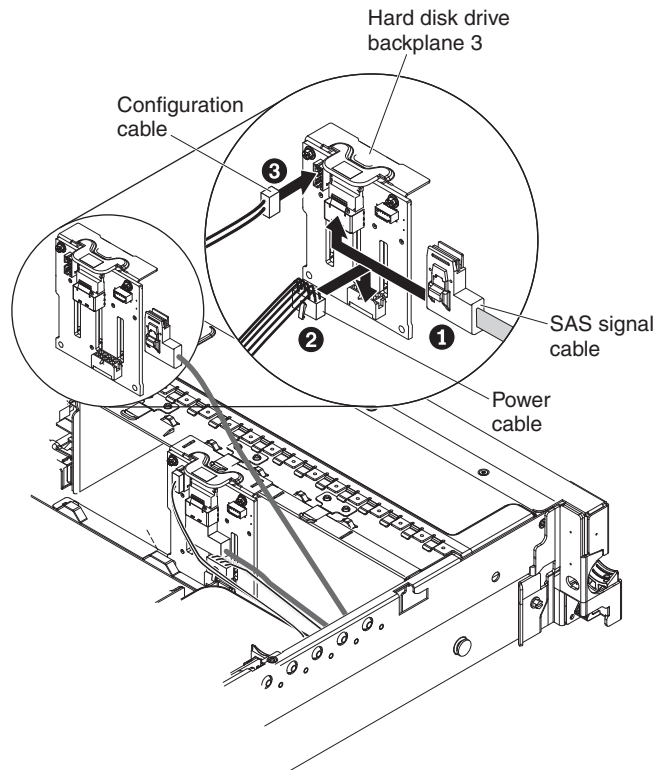
11. Remove hard disk drive backplane 1 from the server.



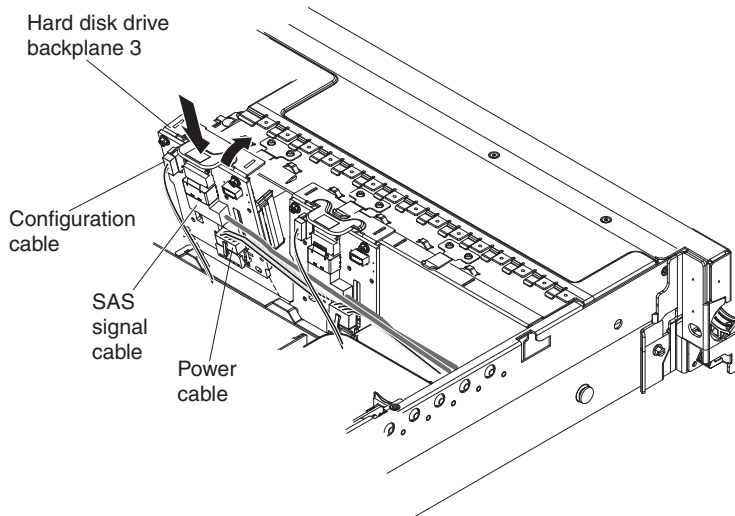
- a. From backplane 1, disconnect the following cables in the order listed:
 - Power cable **1**
 - SAS signal cable **2**
 - Configuration cable **3**
- b. Lift backplane 1 out of the server by pulling it toward the rear of the server and then lifting it up.

12. Install the new backplane in slot 3:

- a. Move the SAS signal cable from hard disk drive backplane 1 to new backplane 3 **1**. The new backplane comes with the option kit.

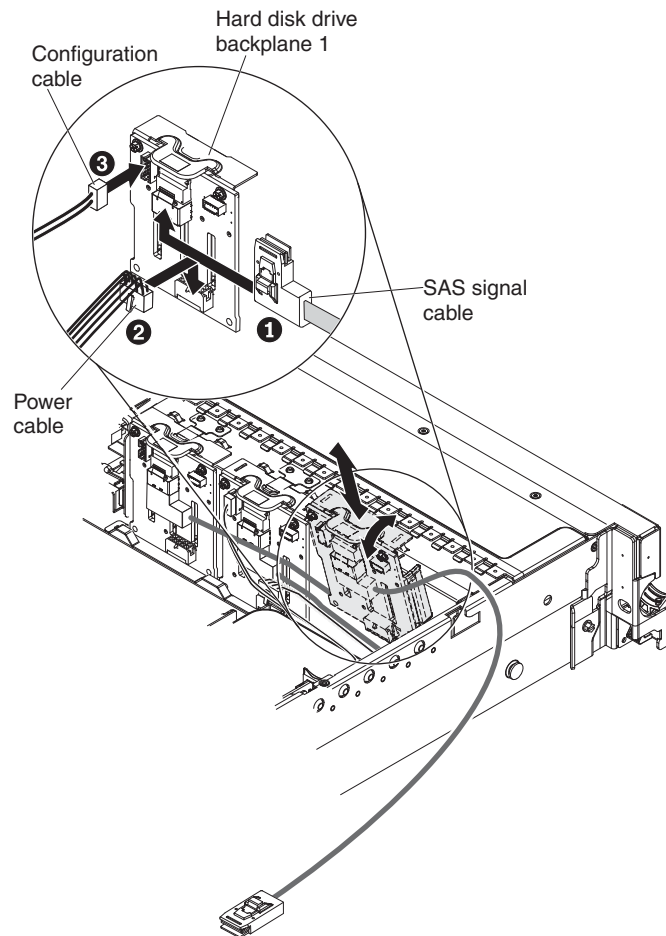


- b. Connect the new power cable that comes with the option kit to new hard disk drive backplane 3 **2**.
- c. Connect the configuration cable to backplane 3 **3**.
- d. Angle the new backplane and place the bottom edge into the slots for backplane 3 on the chassis next to the optical drive.



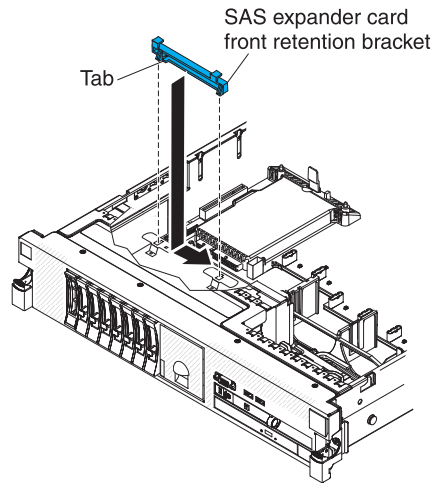
- e. Rotate the backplane upright so that the bracket goes underneath the latch and tabs on the chassis and is engaged into the slots on the backplane bracket.

13. Install hard disk drive backplane 1:
- Connect the right-angle end of the longer SAS signal cable that comes with the option kit to hard disk drive backplane 1 **1**.

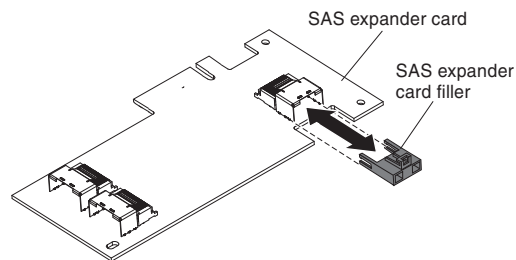


- Reconnect the power cable **2** to backplane 1.
 - Reconnect the configuration cable **3** to backplane 1.
 - Angle the backplane and place the bottom edge into the slots for backplane 1 on the chassis.
 - Rotate the backplane upright so that the bracket goes underneath the latch and tabs on the chassis and is engaged into the slots on the backplane bracket.
14. Make sure that the configuration cable is connected to all three backplanes.

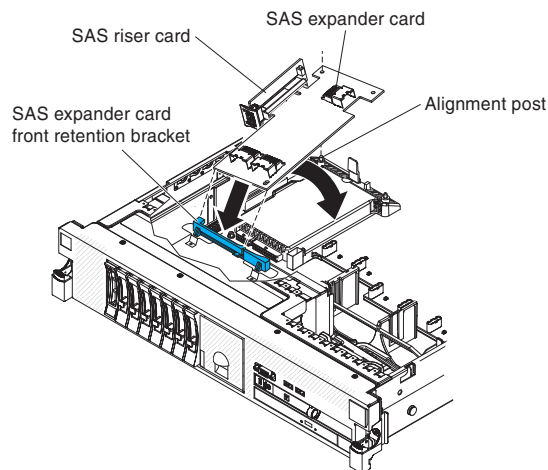
15. Install the SAS controller front retention bracket that comes with the option kit:
 - a. Align the retention bracket controller slot so that it faces the rear of the server.



- b. Place the bracket tabs in the holes on the chassis and slide the bracket to left until it clicks into place.
16. Remove the fillers (if they are installed) from the three connectors on the SAS expander card that comes with the option kit.

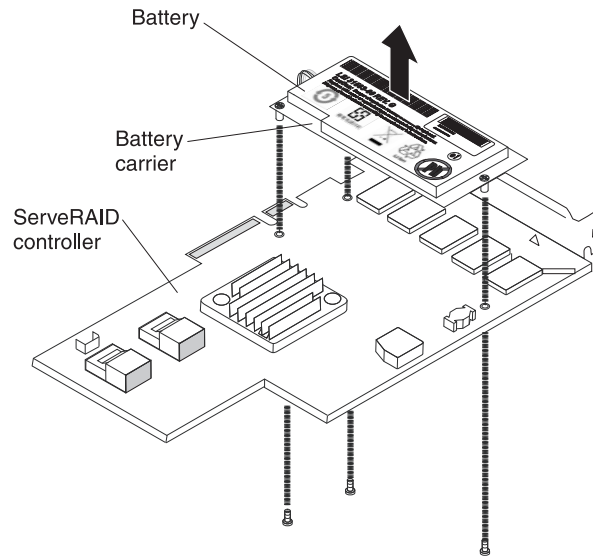


17. Install the SAS expander card:
 - a. Insert the SAS expander card into the connector on the SAS riser card.
 - b. Insert the front of the SAS expander card into the front retention bracket.

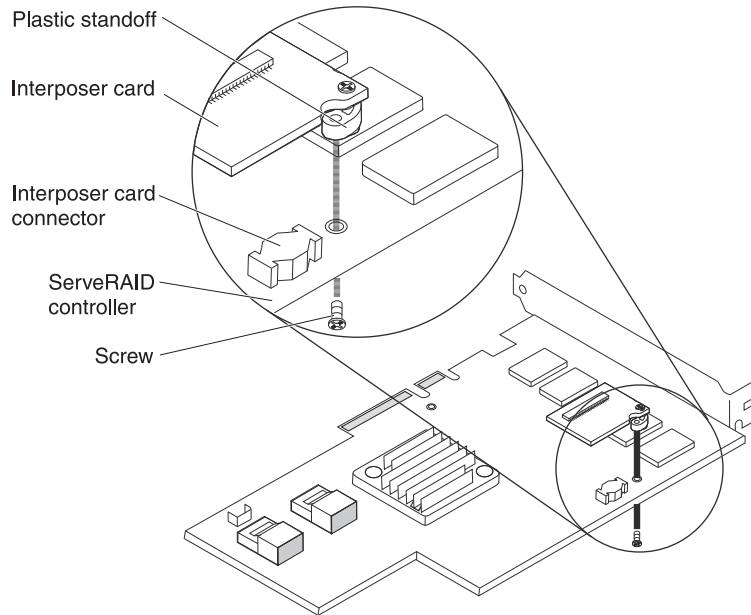


- c. Install the SAS riser card with the SAS expander card into the connector on the system board, making sure that the alignment post goes through the hole in the expander card. Press the riser card into place until the latch at the rear of the card snaps closed.
18. If a battery and battery carrier are attached to the SAS controller that you removed in step 8, disconnect the battery carrier cable from the battery and remove the three screws that secure the battery carrier to the SAS controller. Set the battery and battery carrier aside.

Note: The illustrations in this document might differ slightly from your hardware.

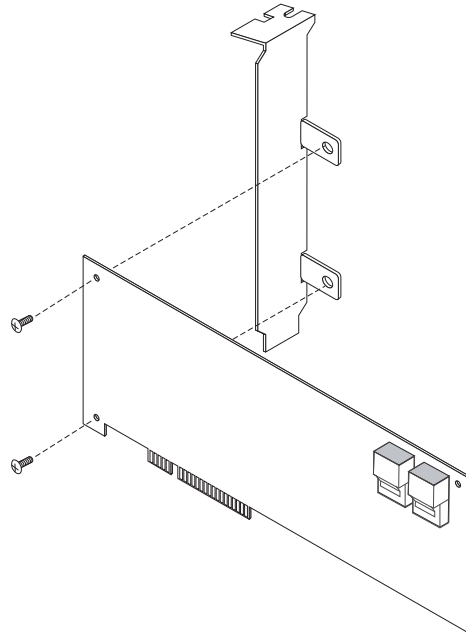


19. Install the interposer card that comes with the option kit on the interposer card connector on the SAS controller:
 - a. Remove the interposer card and the loose screw from the bag.
 - b. Rotate the standoff so that it aligns with the hole in the ServeRAID controller, and position the interposer card connector over the SAS controller connector.



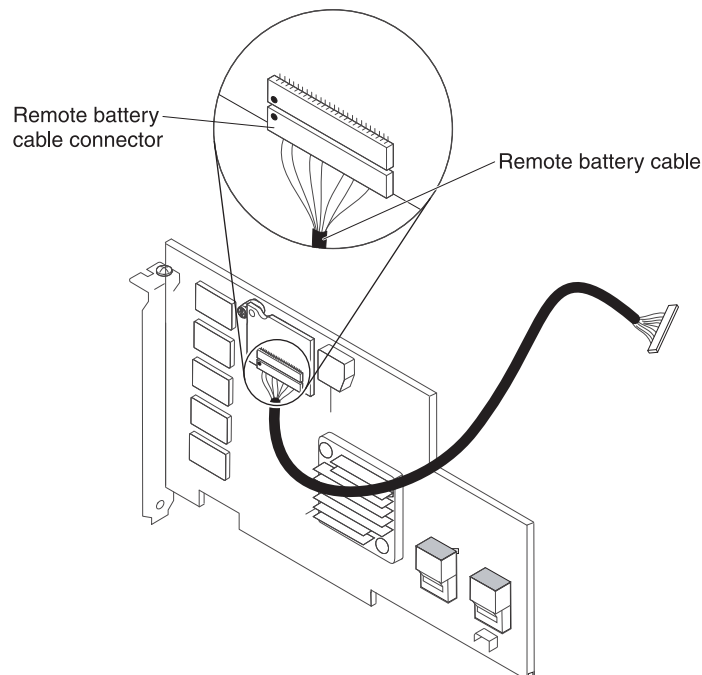
- c. Press the interposer card down onto the interposer card connector so that the interposer card is secured.
 - d. From the other side of the SAS controller, insert and tighten the screw to secure the interposer card to the SAS controller.

20. Remove the expansion-slot bracket that is screwed to the vertical wall above the power supply and install the expansion-slot bracket on the SAS controller:
 - a. Orient the SAS controller as shown in the illustration.



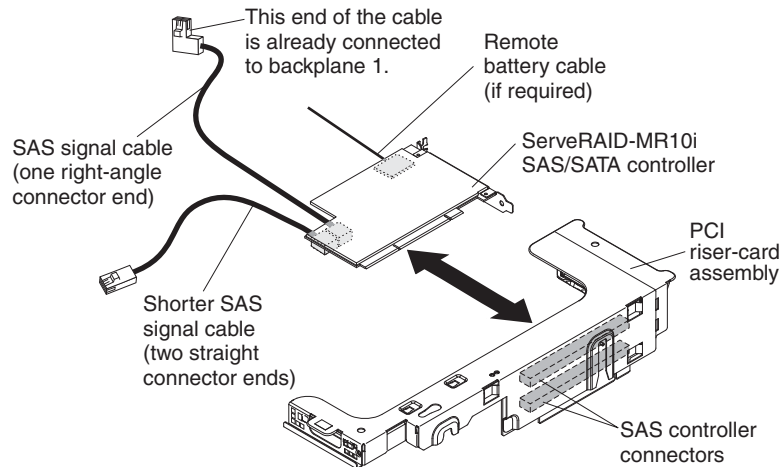
- b. Align the metal bracket so that the tabs are on the back side of the SAS controller and the holes on the tabs align with the holes on the SAS controller.
 - c. From the front side of the SAS controller, install the two screws that hold the metal bracket onto the SAS controller.
21. If required, connect one end of the remote battery cable to the interposer card.

Attention: To avoid damage to the hardware, make sure that you align the black dot on the cable connector with the black dot on the connector on the interposer card. *Do not force the remote battery cable into the connector.*



22. Connect the SAS signal cables to the connectors on the SAS controller:
 - a. Connect the shorter SAS signal cable that comes with the option kit to the SAS controller connector that is labeled “Ports 7-4”. If you are connecting cables to a ServeRAID-MR10i SAS/SATA Controller, this connector is closest to the edge of the controller and has two straight connectors.

Note: If you are connecting the shorter SAS signal cable to a ServeRAID-BR10i SAS/SATA Controller, the connectors are reversed. You must connect the shorter SAS signal cable to the connector that is labeled “Port 4–7”, which is the connector that is not the closest to the edge of the controller.

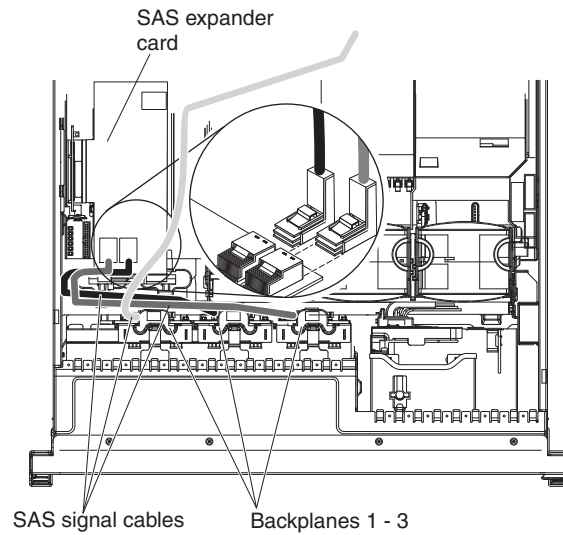


- b. Connect the straight connector end of the longer SAS signal cable to the other SAS connector that is labeled “Ports 3-0” on a ServeRAID-MR10i SAS/SAS Controller. This cable has a right-angle connector and a straight connector.

Note: If you are connecting the longer SAS signal cable to a ServeRAID-BR10i SAS/SATA Controller, the connectors are reversed. You must connect the straight connector end of the longer SAS signal cable to the connector that is labeled “Port 0–3”.

23. Remove the PCI riser-card assembly (see “Removing a PCI riser-card assembly” on page 44).
24. Orient the SAS controller so that the connectors are on the underside of the controller. Install the SAS controller in the connector on the PCI riser card. (See the previous illustration and see “Installing a PCI adapter” on page 51.)
25. Install the PCI riser-card assembly in the server (see “Installing a PCI riser-card assembly” on page 45).
26. Connect the free end of the remote battery cable to the battery on the remote battery tray. For more information, see “Installing a ServeRAID SAS controller battery on the remote battery tray” on page 96.

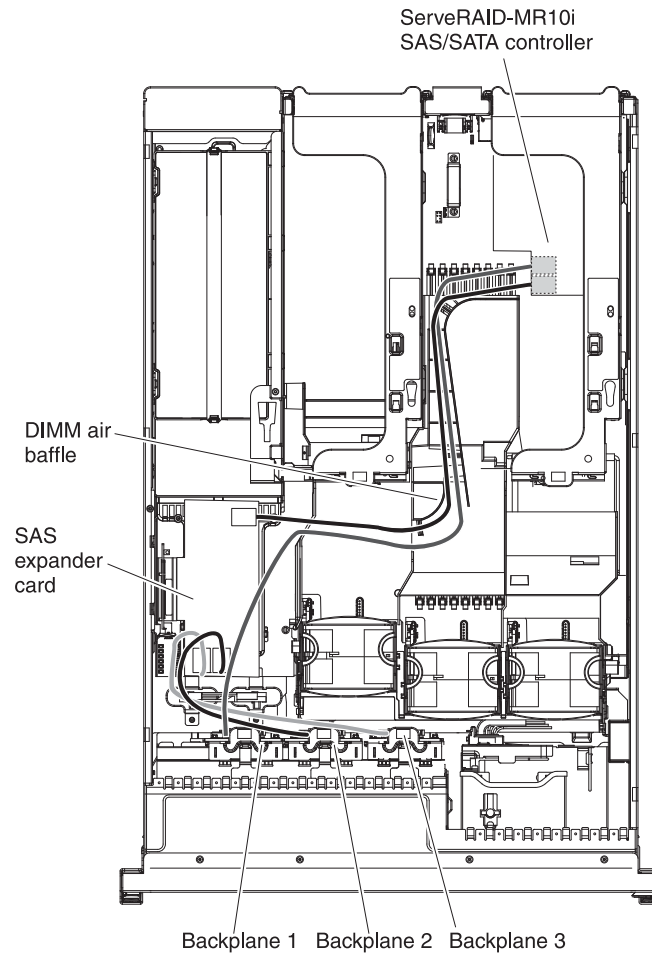
27. Connect the SAS signal cables to the SAS expander card:
 - a. Connect the SAS signal cable from hard disk drive backplane 2 to the right front connector on the SAS expander card (as facing the front of the server).



- b. Connect the SAS signal cable from hard disk drive backplane 3 to the left front connector on the SAS expander card (as facing the front of the server).

28. Connect the loose end of the shorter SAS signal cable (this cable has two straight connectors and is already connected to the SAS controller) to the rear connector on the SAS expander card. Route the cable through the left side of the DIMM air baffle and underneath the cable retention features on the baffle. See the illustration.

Note: The cables that connect to a ServeRAID-BR10i SAS/SATA Controller are reversed.



29. If you removed any fans, install them.
30. Insert the hard disk drives and the fillers the rest of the way into the bays.

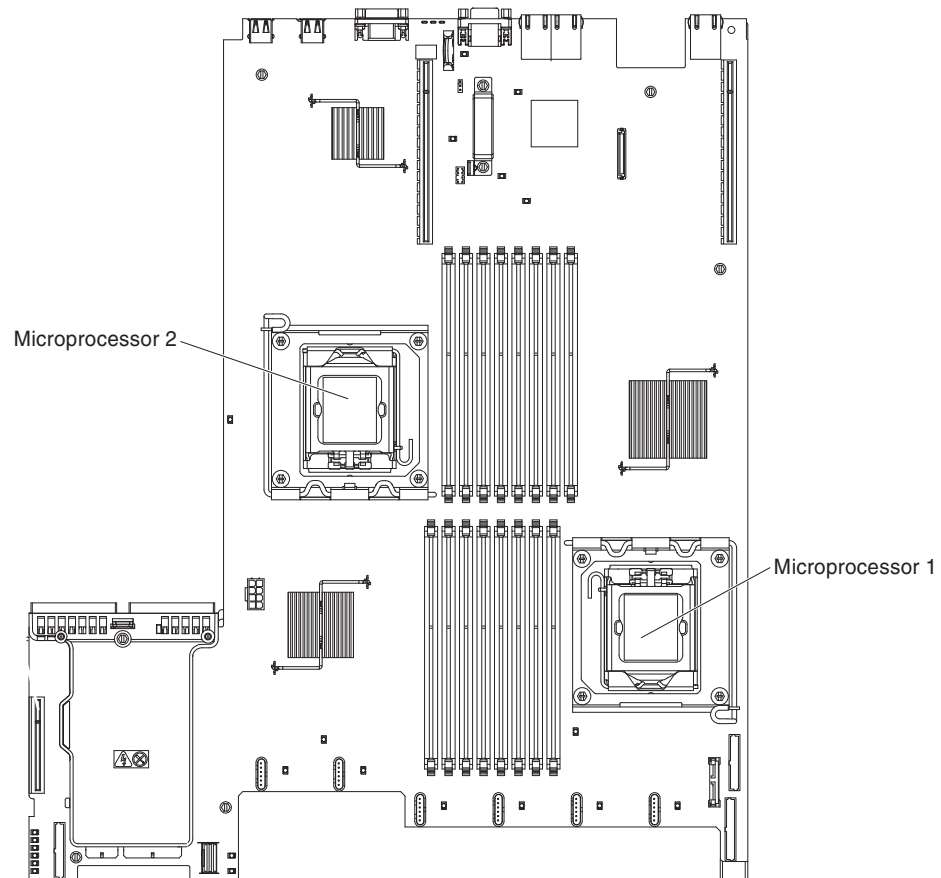
If you have other devices to install or remove, do so now. Otherwise, go to “Completing the installation” on page 106.

Installing a second microprocessor

The following notes describe the type of microprocessor that the server supports and other information that you must consider when you install a microprocessor:

- The server supports certain Intel Xeon® scalable multi-core microprocessors, which are designed for the LGA 1366 socket. These microprocessors are 64-bit dual-core or quad-core microprocessors with an integrated memory controller, quick-path interconnect, and shared last cache. See <http://www.ibm.com/servers/eserver/serverproven/compat/us/> for a list of supported microprocessors.
- The server supports up to two microprocessors. If the server comes with one microprocessor, you can install a second microprocessor.
- Both microprocessors must have the same QuickPath Interconnect (QPI) link speed, integrated memory controller frequency, core frequency, power segment, cache size, and type.
- Read the documentation that comes with the microprocessor to determine whether you must update the server firmware for the server. To download the most current level of server firmware and many other code updates for your server, complete the following steps:
 1. Go to <http://www.ibm.com/systems/support/>.
 2. Under **Product support**, click **System x**.
 3. Under **Popular links**, click **Software and device drivers**.
 4. Click **System x3650 M2** to display the matrix of downloadable files for the server.
- (Optional) Obtain an SMP-capable operating system. For a list of supported operating systems and optional devices, see <http://www.ibm.com/servers/eserver/serverproven/compat/us/>.
- To order additional microprocessor optional devices, contact your IBM marketing representative or authorized reseller.
- The microprocessor speeds are automatically set for this server; therefore, you do not have to set any microprocessor frequency-selection jumpers or switches.
- If you have to replace a microprocessor, call for service.
- If the thermal-grease protective cover (for example, a plastic cap or tape liner) is removed from the heat sink, do not touch the thermal grease on the bottom of the heat sink or set down the heat sink.
- Do not remove the first microprocessor from the system board to install the second microprocessor.

The following illustration shows the microprocessor socket locations on the system board.



Attention:

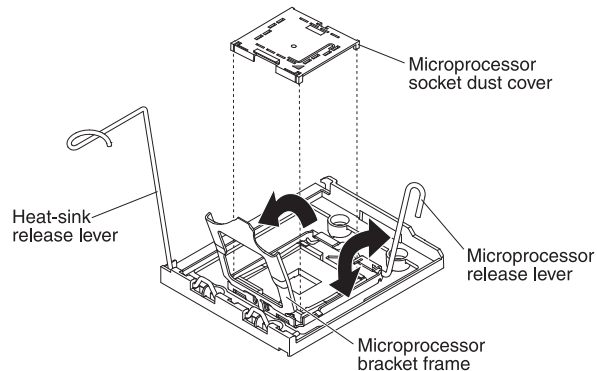
- A startup (boot) microprocessor must always be installed in microprocessor socket 1 on the system board.
- To ensure correct server operation when you install an additional microprocessor, use microprocessors that are compatible and install at least one DIMM in a DIMM connector for microprocessor 2.

To install an additional microprocessor, complete the following steps:

1. Read the safety information that begins on page vii and “Installation guidelines” on page 36.
2. Turn off the server and disconnect all power cords and external cables (see “Turning off the server” on page 21).
3. Remove the server cover (see “Removing the cover” on page 43).
4. Remove PCI riser-card assembly 2 (see “Removing a PCI riser-card assembly” on page 44).
5. Remove the microprocessor air baffle (see “Removing the microprocessor 2 air baffle” on page 46).
6. Locate the second microprocessor socket on the system board.
7. Rotate the heat-sink release lever to the fully open position.

8. Install the microprocessor:

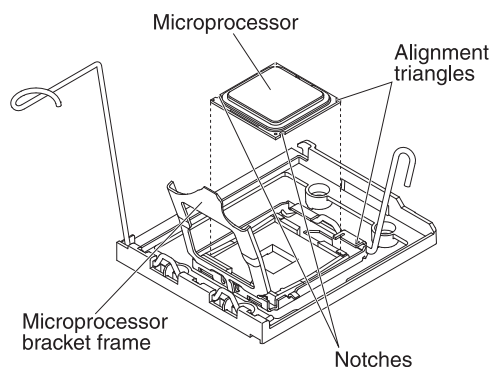
- a. Rotate the microprocessor release lever on the socket from its closed and locked position until it stops in the fully open position.



- b. Rotate the hinged microprocessor bracket frame into the open position.
- c. Remove the microprocessor socket dust cover from the surface of the microprocessor socket, if one is present. Store the dust cover in a safe place.
- d. Touch the static-protective package that contains the microprocessor to any unpainted metal surface on the server. Then, remove the microprocessor from the package.

Attention:

- Do not touch the microprocessor contacts; handle the microprocessor by the edges only. Contaminants on the microprocessor contacts, such as oil from your skin, can cause connection failures between the contacts and the socket.
- Handle the microprocessor carefully. Dropping the microprocessor during installation or removal can damage the contacts.
- Do not use excessive force when you press the microprocessor into the socket.
- Make sure that the microprocessor is oriented and aligned and positioned in the socket before you try to close the lever.



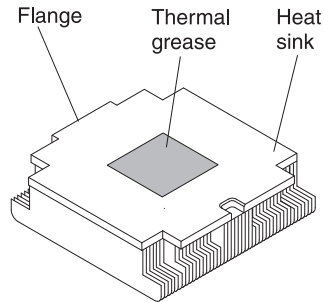
- e. Align the microprocessor with the socket (note the alignment mark and the position of the notches); then, carefully place the microprocessor on the socket. Close the microprocessor bracket frame.

Note: The microprocessor fits only one way on the socket.

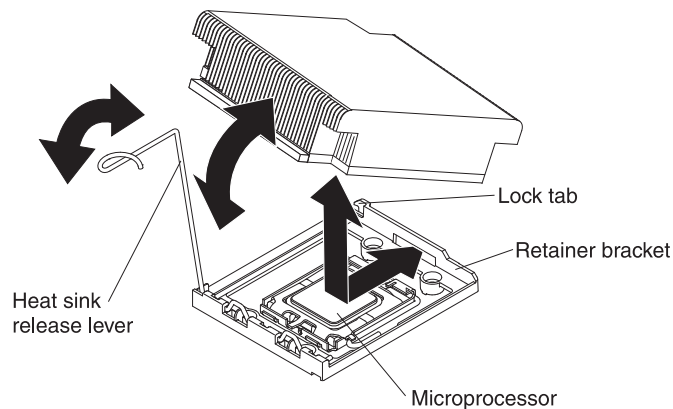
- f. Carefully close the microprocessor release lever to secure the microprocessor in the socket.

9. Install a heat sink on the microprocessor.

Attention: Do not touch the thermal grease on the bottom of the heat sink or set down the heat sink after you remove the plastic cover. Touching the thermal grease will contaminate it. If the thermal grease is contaminated, call IBM service and support to request a replacement thermal grease kit. For information about installing the replacement thermal grease, see “Thermal grease” on page 80.



- a. Make sure that the heat-sink release lever is in the fully open position.
- b. Remove the plastic protective cover from the bottom of the heat sink.
- c. Align the heat sink above the microprocessor with the thermal-grease side down.



- d. Slide the rear flange of the heat sink into the opening in the retainer bracket.
 - e. Press down firmly on the front of the heat sink until it is seated securely.
 - f. Rotate the heat-sink release lever to the closed position and hook it underneath the lock tab.
10. Install the microprocessor air baffle (see “Installing the microprocessor 2 air baffle” on page 47).
 11. Install PCI riser-card assembly 2 (see “Installing a PCI riser-card assembly” on page 45).

If you have other devices to install or remove, do so now. Otherwise, go to “Completing the installation” on page 106.

Thermal grease

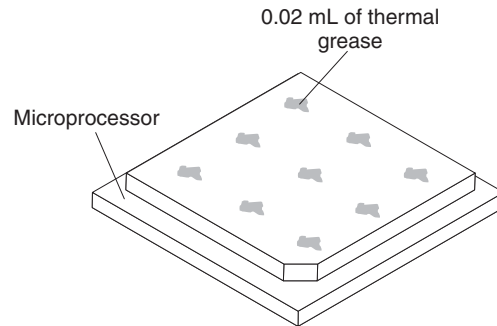
The thermal grease must be replaced whenever the heat sink has been removed from the top of the microprocessor and is going to be reused or when debris is found in the grease.

To replace damaged or contaminated thermal grease on the microprocessor and heat exchanger, complete the following steps:

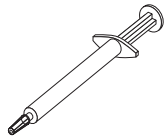
1. Place the heat-sink assembly on a clean work surface.
2. Remove the cleaning pad from its package and unfold it completely.
3. Use the cleaning pad to wipe the thermal grease from the bottom of the heat exchanger.

Note: Make sure that all of the thermal grease is removed.

4. Use a clean area of the cleaning pad to wipe the thermal grease from the microprocessor; then, dispose of the cleaning pad after all of the thermal grease is removed.



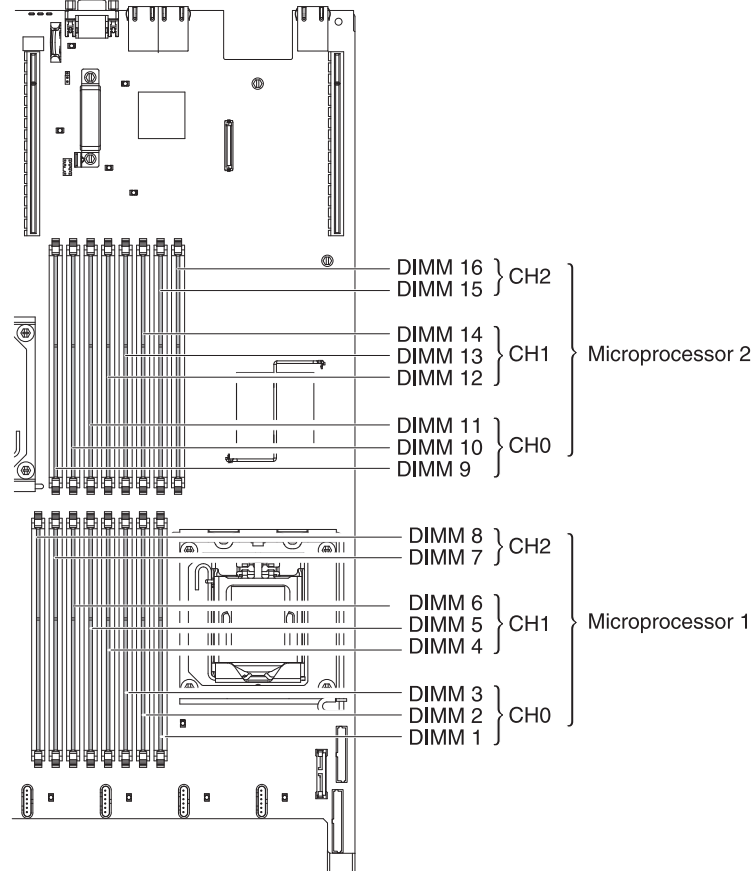
5. Use the thermal-grease syringe to place nine uniformly spaced dots of 0.02 mL each on the top of the microprocessor.



Note: 0.01mL is one tick mark on the syringe. If the grease is properly applied, approximately half (0.22 mL) of the grease will remain in the syringe.

Installing a memory module

The following notes describe the types of dual inline memory modules (DIMMs) that the server supports and other information that you must consider when you install DIMMs.



- The server supports only industry-standard double-data-rate 3 (DDR3), 800, 1066, or 1333 MHz, PC3-10600R-999 (single-rank or dual-rank), registered, synchronous dynamic random-access memory (SDRAM) dual inline memory modules (DIMMs) with error correcting code (ECC). See <http://www.ibm.com/servers/eserver/serverproven/compat/us/> for a list of supported memory modules for the server.
- The server supports a maximum of 16 single-rank or dual-rank DIMMs.
- The server supports three single-rank or dual-rank DIMMs per channel. The following table shows an example of the maximum amount of memory that you can install, using ranked DIMMs.

Table 9. Maximum memory installation using ranked DIMMs

Number of DIMMs	Number of ranks	DIMM size	Total memory
16	Single rank	4 GB	64 GB
16	Dual rank	4 GB	64 GB
16	Dual rank	8 GB (if available)	128 GB

- The specifications of a DDR3 DIMM are on a label on the DIMM, in the following format.

ggg eRxff-PC3-wwwwm-aa-bb-cc

where:

ggg is the total capacity of the DIMM (for example, 1GB, 2GB, or 4GB)

e is the number of ranks

1 = single-rank

2 = dual-rank

4 = quad-rank

ff is the device organization (bit width)

4 = x4 organization (4 DQ lines per SDRAM)

8 = x8 organization

16 = x16 organization

wwwww is the DIMM bandwidth, in MBps

6400 = 6.40 GBps (PC3-800 SDRAMs, 8-byte primary data bus)

8500 = 8.53 GBps (PC3-1066 SDRAMs, 8-byte primary data bus)

10600 = 10.66 GBps (PC3-1333 SDRAMs, 8-byte primary data bus)

12800 = 12.80 GBps PC3-1600 SDRAMs, 8-byte primary data bus)

m is the DIMM type

E = Unbuffered DIMM (UDIMM) with ECC (x72-bit module data bus)

R = Registered DIMM (RDIMM)

U = Unbuffered DIMM with no ECC (x64-bit primary data bus)

aa is the CAS latency, in clocks at maximum operating frequency

bb is the JEDEC SPD Revision Encoding and Additions level

cc is the reference design file for the design of the DIMM

d is the revision number of the reference design of the DIMM

- The following rules apply to single-rank and dual-rank DDR3 DIMM speed as it relates to the number of DIMMs in a channel:
 - When you install 1 DIMM per channel, the memory runs at 1333 MHz
 - When you install 2 DIMMs per channel, the memory runs at 1066 MHz
 - When you install 3 DIMMs per channel, the memory runs at 800 MHz
 - All channels in a server run at the fastest common frequency.
 - Mixing registered and unbuffered DIMMs is not supported.
- The DIMM options that are available for the server are 1 GB, 2 GB, 4 GB, and 8 GB (when available). The server supports a minimum of 1 GB and a maximum of 128 GB of system memory.

For 32-bit operating systems only: Some memory is reserved for various system resources and is unavailable to the operating system. The amount of memory that is reserved for system resources depends on the operating system, the configuration of the server, and the configured PCI devices.
- A minimum of one DIMM must be installed for each microprocessor. For example, you must install a minimum of two DIMMs if the server has two microprocessors. However, to improve system performance, install a minimum of three DIMMs for each microprocessor.
- The maximum operating speed of the server is determined by the slowest DIMM in the server.

DIMM installation sequence

The server requires at least one DIMM per microprocessor. The server comes with a minimum of two 1 GB DIMMs, installed in connectors 3 and 6. (Connectors 3 and 6 are the farthest connectors for channels 0 and 1 of microprocessor 1.) When you install additional DIMMs, install them in the order shown in Table 10, to maintain performance.

Important: If you have configured the server to use memory mirroring, do not use the order in Table 10; go to “Memory mirroring” and use the installation order shown there.

Table 10. DIMM installation sequence for non-mirroring (normal) mode

Installed microprocessors	DIMM connector population sequence
Microprocessor socket 1	Install the DIMMs in the following sequence: 3, 6, 8, 2, 5, 7, 1, 4
Microprocessor socket 2	Install the DIMMs in the following sequence: 11, 14, 16, 10, 13, 15, 9, 12

Memory mirroring

Memory-mirroring mode replicates and stores data on two pairs of DIMMs within two channels simultaneously. If a failure occurs, the memory controller switches from the primary pair of memory DIMMs to the backup pair of DIMMs. You must enable memory mirroring through the Setup utility. For details about enabling memory mirroring, see “Using the Setup utility” on page 112. When you use the memory mirroring feature, consider the following information:

- When you use memory mirroring, you must install a pair of DIMMs at a time. One DIMM must be in channel 0, and the mirroring DIMM must be in the same connector in channel 1. The two DIMMs in each pair must be identical in size, type, rank (single, dual, or quad), and organization. They do not have to be identical in speed. The channels run at the speed of the slowest DIMM in any of the channels. See Table 12 on page 85 for the DIMM connectors that are in each pair.
- Channel 2, DIMM connectors 8, 7, 15, and 16 are not used in memory-mirroring mode.
- The maximum available memory is reduced to half of the installed memory when memory mirroring is enabled. For example, if you install 64 GB of memory, only 32 GB of addressable memory is available when you use memory mirroring.

The following illustration shows the memory channel interface layout with the DIMM installation sequence for mirroring mode. The numbers within the boxes indicate the DIMM population sequence in pairs within the channels, and the numbers next to the boxes indicate the DIMM connectors within the channels. For example, the following illustration shows that the first pair of DIMMs (indicated by ones (1) inside the boxes) should be installed in DIMM connector 3 on channel 0 and DIMM connector 6 on channel 1. DIMM connectors 7, 8, 15, and 16 on channel 2 are not used in memory-mirroring mode.

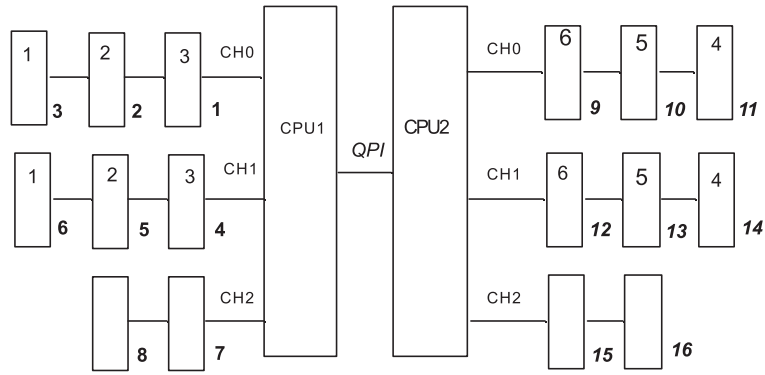


Figure 1. Memory channel interface layout

The following table lists the DIMM connectors on each memory channel.

Table 11. Connectors on each memory channel

Memory channel	DIMM connectors
Channel 0	1, 2, 3, 9, 10, 11
Channel 1	4, 5, 6, 12, 13, 14
Channel 2	7, 8, 15, 16

The following illustration shows the memory connector layout that is associated with each microprocessor. For example, DIMM connectors 9, 10, 11, 12, 13, 14, 15, and 16 (DIMM connectors are shown underneath the boxes) are associated with microprocessor 2 socket (CPU2) and DIMM connectors 1, 2, 3, 4, 5, 6, 7, and 8 are associated with microprocessor 1 socket (CPU1). The numbers within the boxes indicate the installation sequence of the DIMM pairs. For example, the first DIMM pair (indicated within the boxes by ones (1)) should be installed in DIMM connectors 3 and 6, which are associated with microprocessor 1 (CPU1).

Note: You can install DIMMs for microprocessor 2 as soon as you install microprocessor 2; you do not have to wait until all of the DIMM connectors for microprocessor 1 are filled.

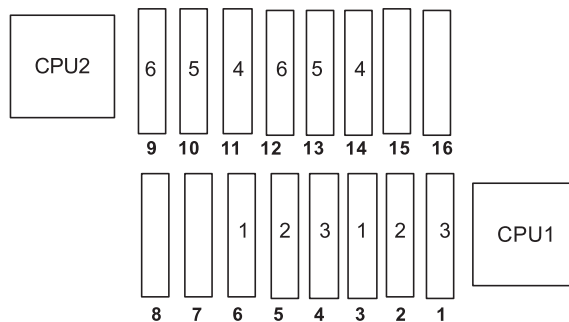


Figure 2. Memory connectors associated with each microprocessor

The following table lists the installation sequence for installing DIMMs in memory-mirroring mode.

Table 12. Memory-mirroring mode DIMM population sequence

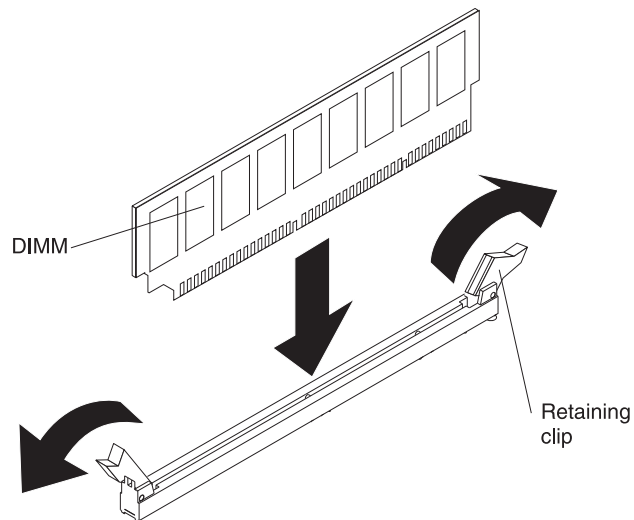
DIMMs	Number of installed microprocessors	DIMM connector
First pair of DIMMs	1	3, 6
Second pair of DIMMs	1	2, 5
Third pair of DIMMs	1	1, 4
Fourth pair of DIMMs	2	14, 11
Fifth pair of DIMMs	2	13, 10
Sixth pair of DIMMs	2	12, 9

Note: DIMM connectors 7, 8, 15, and 16 are not used in memory-mirroring mode.

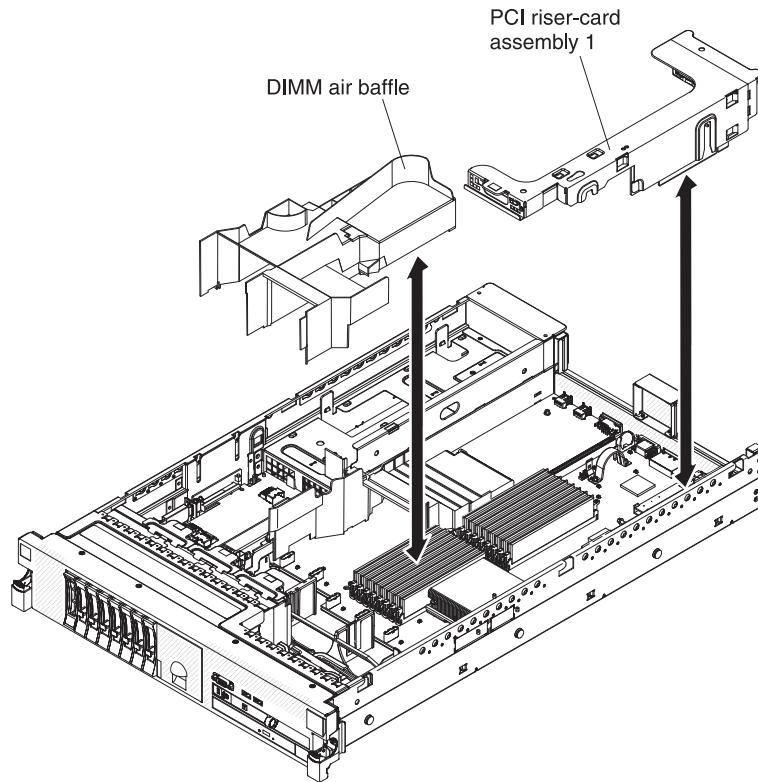
When you install or remove DIMMs, the server configuration information changes. When you restart the server, the system displays a message that indicates that the memory configuration has changed.

Installing a DIMM

To install a DIMM, complete the following steps.



1. Read the safety information that begins on page vii and “Installation guidelines” on page 36.
2. Turn off the server and peripheral devices, and disconnect the power cord and all external cables (see “Turning off the server” on page 21).
3. Remove the server cover (see “Removing the cover” on page 43).



4. If PCI riser-card assembly 1 contains one or more adapters, remove riser-card assembly 1 (see “Removing a PCI riser-card assembly” on page 44).
5. Remove the DIMM air baffle (see “Removing the DIMM air baffle” on page 48).
Attention: To avoid breaking the retaining clips or damaging the DIMM connectors, open and close the clips gently.
6. Open the retaining clip on each end of the DIMM connector.
7. Touch the static-protective package that contains the DIMM to any unpainted metal surface on the server. Then, remove the DIMM from the package.
8. Turn the DIMM so that the DIMM keys align correctly with the connector.
9. Insert the DIMM into the connector by aligning the edges of the DIMM with the slots at the ends of the DIMM connector. Firmly press the DIMM straight down into the connector by applying pressure on both ends of the DIMM simultaneously. The retaining clips snap into the locked position when the DIMM is firmly seated in the connector.
Important: If there is a gap between the DIMM and the retaining clips, the DIMM has not been correctly inserted; open the retaining clips, remove the DIMM, and then reinsert it.
10. Install the DIMM air baffle (see “Installing the DIMM air baffle” on page 49).
11. Install PCI riser-card assembly 2, if you removed it (see “Installing a PCI riser-card assembly” on page 45).

If you have other devices to install or remove, do so now. Otherwise, go to “Completing the installation” on page 106. Go to the Setup utility and make sure all the installed DIMMs are present and enabled.

Installing a hot-swap power supply

The server supports a maximum of two hot-swap ac power supplies.

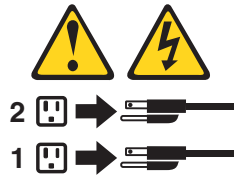
Note: Power supply 1 is the default/primary power supply. If power supply 1 fails, you must replace the power supply immediately.

Statement 5:



CAUTION:

The power control button on the device and the power switch on the power supply do not turn off the electrical current supplied to the device. The device also might have more than one power cord. To remove all electrical current from the device, ensure that all power cords are disconnected from the power source.



Statement 8:

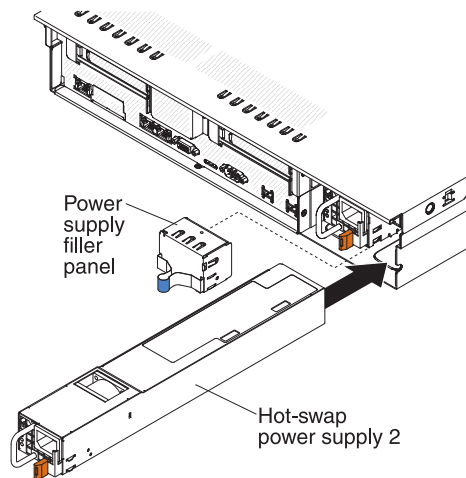


CAUTION:

Never remove the cover on a power supply or any part that has the following label attached.



Hazardous voltage, current, and energy levels are present inside any component that has this label attached. There are no serviceable parts inside these components. If you suspect a problem with one of these parts, contact a service technician.

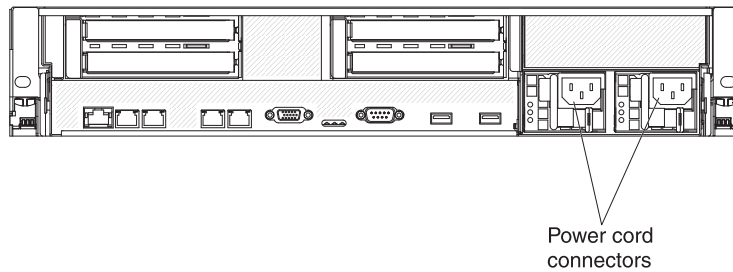


To install an ac power supply, complete the following steps:

1. Read the safety information that begins on page vii and “Installation guidelines” on page 36.
2. Remove the power-supply blank from the empty power-supply bay by pinching the side clip and pulling the power-supply blank from the bay. Save the power-supply blank in case you remove the power supply at a later time.
Important: During normal operation, each power-supply bay must contain either a power supply or power-supply blank for proper cooling.
3. Slide the ac power supply into the bay until the retention latch clicks into place.

4. Connect the power cord for the new ac power supply to the power-cord connector on the power supply.

The following illustration shows the ac power-supply connectors on the rear of the server.



5. Route the power cord through the power-supply handle and through any cable clamps on the rear of the server, to prevent the power cord from being accidentally pulled out when you slide the server in and out of the rack.
6. Connect the power cord to a properly grounded electrical outlet.
7. If the server is powered on, make sure that the error LED on the power supply is not lit, and that the dc power LED and ac power LED on the power supply are lit, indicating that the power supply is operating correctly.

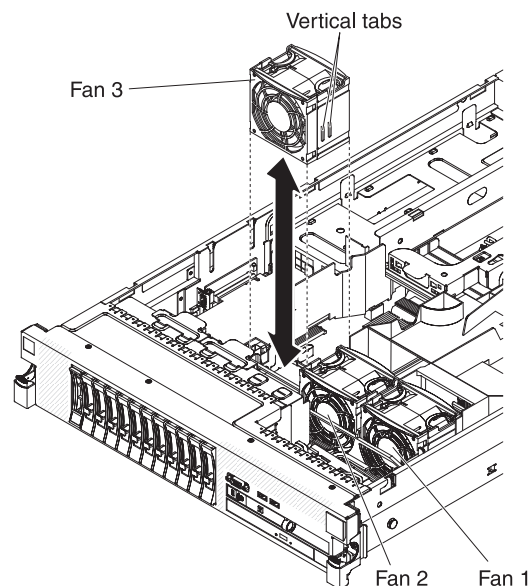
If you have other devices to install or remove, do so now. Otherwise, go to “Completing the installation” on page 106.

Removing a hot-swap fan

The server comes with three replaceable fans.

Attention: To ensure proper server operation and cooling, if you remove a fan with the system running, you must install a replacement fan within 30 seconds or the system will shut down.

To remove a replaceable fan, complete the following steps.



1. Read the safety information that begins on page vii and “Installation guidelines” on page 36.

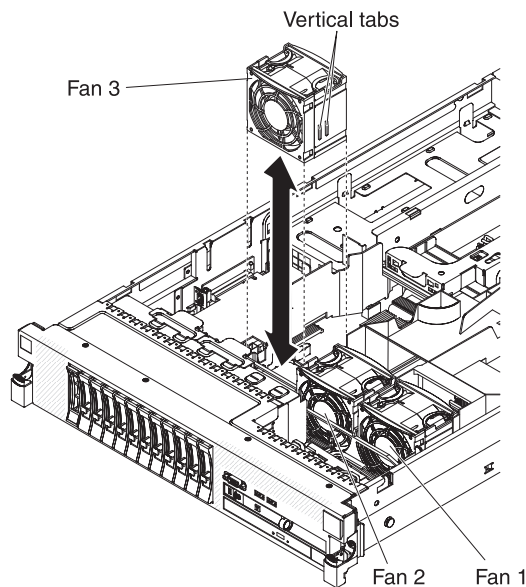
2. Leave the server connected to power.
3. Slide the server out of the rack and remove the cover (see “Removing the cover” on page 43). The LED near the failing fan will be lit.
Attention: To ensure proper system cooling, do not remove the top cover for more than 30 minutes during this procedure.
4. Lift the fan out of the server.
5. Replace the fan within 30 seconds (see “Installing a hot-swap fan”).

If you have other devices to install or remove, do so now. Otherwise, go to “Completing the installation” on page 106.

Installing a hot-swap fan

The server comes with three replaceable double fans. For proper cooling, the server requires that all three fans be installed at all times.

Attention: To ensure proper server operation, if a fan fails, replace it within 30 seconds. Have a replacement fan ready to install as soon as you remove the failed fan.



To install any of the three replaceable fans, complete the following steps:

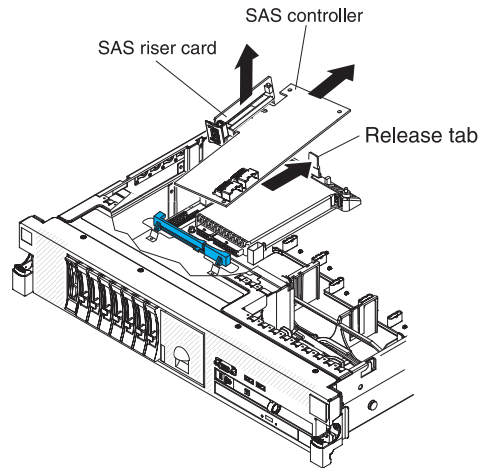
1. Read the safety information that begins on page vii and “Installation guidelines” on page 36.
2. If you have not done so already, slide the server out of the rack and remove the cover (see “Removing the cover” on page 43).
Attention: To ensure proper system cooling, do not remove the top cover for more than 30 minutes during this procedure.
3. Orient the new fan over its position in the fan bracket so that the connector on the bottom aligns with the fan connector on the system board.
4. Align the vertical tabs on the fan with the slots on the fan cage bracket.
5. Push the new fan into the fan connector on the system board. Press down on the top surface of the fan to seat the fan fully. Make sure that the amber LED next to the fan connector on the system board is off.

If you have other devices to install or remove, do so now. Otherwise, go to “Completing the installation” on page 106.

Removing the SAS riser-card and controller assembly

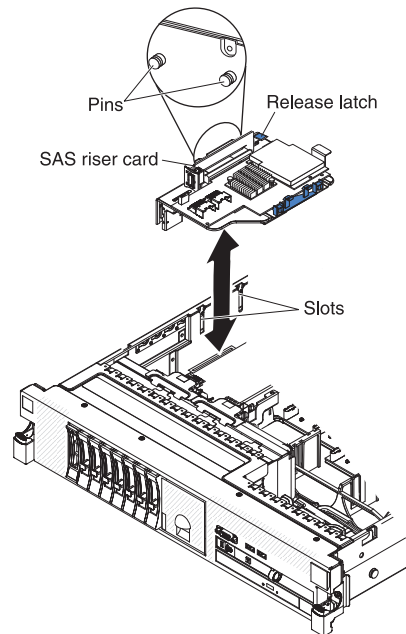
To remove the SAS riser-card and controller assembly from the server, complete the steps for the applicable server model.

- **12-drive-capable server model:**



1. Press the assembly release latch toward the rear of the server and lift that end of the SAS controller assembly a little. Place your fingers underneath the upper portion of the SAS riser card and lift the assembly from the system board.
2. Lift the assembly out of the server.

- **Tape-enabled server model:**

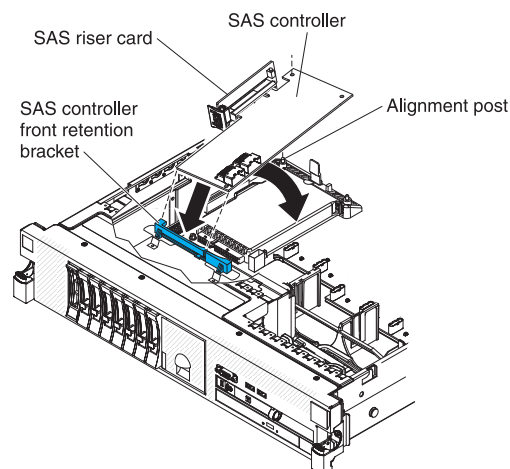


1. Press down on the assembly release latch and lift up on the tab to release the SAS controller assembly, which includes the SAS riser card, from the system board.
2. Lift the front and back edges of the assembly to remove the assembly from the server.

Installing the SAS riser-card and controller assembly

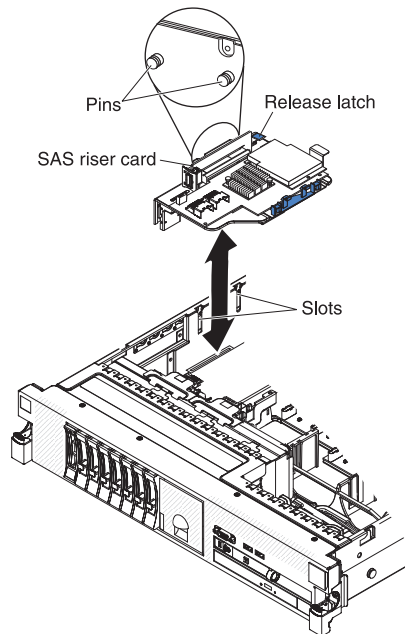
To install the SAS riser-card and controller assembly in the server, complete the steps for the applicable server model.

- **12-drive-capable server model:**



1. Place the front end of the SAS controller in the front retention bracket and align the SAS riser card with the SAS riser-card connector on the system board.
2. Press down on the SAS riser card and the rear edge of the SAS controller until the SAS riser card is firmly seated and the SAS controller card retention latch clicks into place.

- **Tape-enabled server model:**



1. Align the pins on the back side of the SAS riser card with the slots on the server chassis.
2. Make sure that any tape drive cables are routed correctly underneath the SAS riser card. For information about the cable routing, see “Installing an optional tape drive” on page 60.
3. Press the SAS controller assembly into place. Make sure that the SAS riser card is firmly seated and that the release latch and retention latch hold the assembly securely.

If you have other devices to install or remove, do so now. Otherwise, go to “Completing the installation” on page 106.

Removing a ServeRAID SAS controller from the SAS riser card

A ServeRAID SAS controller is installed in a dedicated slot on the SAS riser card.

Important: If you have installed a SAS expander card in a 12-drive-capable server, the SAS controller is installed in a PCI riser-card assembly and is installed and removed the same way as any other PCI adapter. Do not use the instructions in this topic; use the instructions in “Installing a PCI adapter” on page 51 and “Removing a PCI adapter” on page 54.

Depending on the server model, the server comes with a ServeRAID-BR10i SAS/SATA controller or a ServeRAID-MR10i SAS/SATA controller installed.

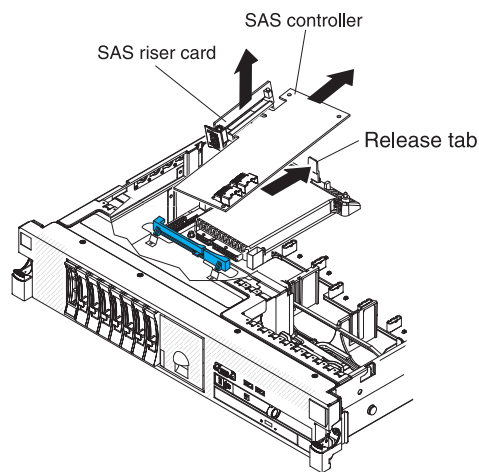
You can replace the ServeRAID SAS controller with another supported ServeRAID SAS controller. For a list of supported ServeRAID SAS controllers, see <http://www.ibm.com/servers/eserver/serverproven/compat/us/>.

Note: For brevity, in this documentation the ServeRAID SAS controller is often referred to as the *SAS controller*.

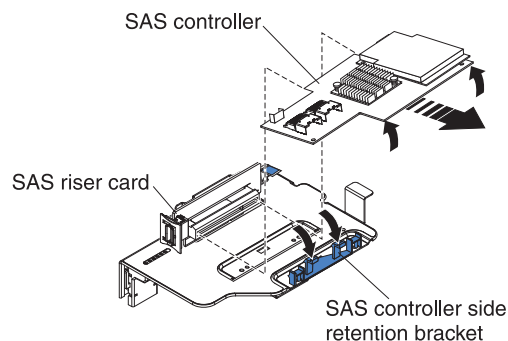
To remove the SAS controller from a SAS riser card, complete the following steps:

1. Read the safety information that begins on page vii and “Installation guidelines” on page 36.
2. Turn off the server and peripheral devices and disconnect all power cords and external cables (see “Turning off the server” on page 21).
3. Remove the cover (see “Removing the cover” on page 43).
4. Locate the SAS riser-card and controller assembly near the left-front corner of the server.
5. Disconnect the SAS signal cables from the connectors on the SAS controller and note their locations.
6. Remove the SAS controller assembly, which includes the SAS riser card, from the server (see “Removing the SAS riser-card and controller assembly” on page 91).

12-drive-capable server model:



Tape-enabled server model:



7. Pull the SAS controller horizontally out of the connector on the SAS riser card.
8. If you are replacing the SAS controller with another supported SAS controller, continue with “Installing a ServeRAID SAS controller on the SAS riser card.”

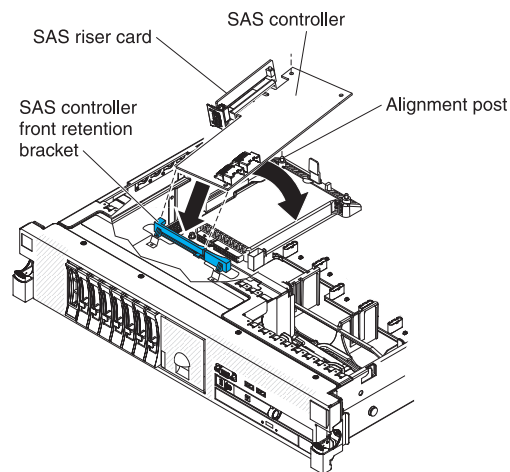
Installing a ServeRAID SAS controller on the SAS riser card

Important: If you have installed a SAS expander card in a 12-drive-capable server, the SAS controller is installed in a PCI riser-card assembly and is installed and removed the same way as any other PCI adapter. Do not use the instructions in this topic; use the instructions in “Installing a PCI adapter” on page 51 and “Removing a PCI adapter” on page 54.

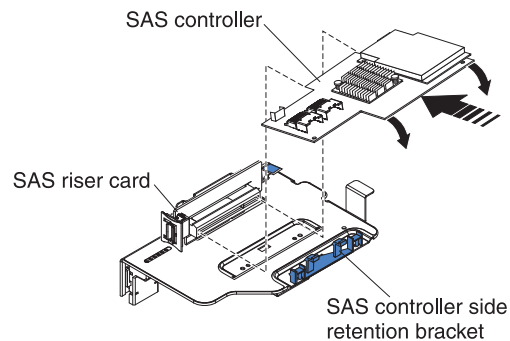
To install a SAS controller on the SAS riser card, complete the following steps:

1. Make sure that the server is turned off, all external cables and power cords are disconnected, and the cover has been removed.
2. If you are installing a new or replacement SAS controller, touch the static-protective package that contains the new SAS controller to any unpainted metal surface on the server. Then, remove the SAS controller from the package.
3. If you are installing a new or replacement SAS controller that uses a battery, complete the following steps:
 - a. Remove the battery from the SAS controller package or the battery package.
 - b. Install the battery and connect the battery to the SAS controller as instructed in the documentation that comes with the SAS controller or the battery.
4. If the new SAS controller is a different physical size than the SAS controller that you removed, you might have to move the controller retention bracket (tape-enabled model servers only) to the correct location for the new SAS controller. See “Moving the SAS controller retention bracket” on page 101; then, continue with the next step in this procedure.
5. Turn the SAS controller so that the connectors are facing up and the edge connectors are aligned correctly with the connector on the SAS riser card.

12-drive-capable server model:



Tape-enabled server model:



6. Firmly press the SAS controller horizontally into the connector on the SAS riser card.
7. (Tape-enabled model server only) Gently press the opposite edge of the SAS controller into the controller retention bracket.

8. Install the SAS riser-card and controller assembly (see “Installing the SAS riser-card and controller assembly” on page 92).

If you have other devices to install or remove, do so now. Otherwise, go to “Completing the installation” on page 106.

Notes:

1. When you restart the server for the first time after you install a SAS controller with a battery, the monitor screen remains blank while the controller initializes the battery. This might take a few minutes, after which the startup process continues. This is a one-time occurrence.

Important: You must allow the initialization process to be completed. If you do not, the battery pack will not work, and the server might not start.

The battery comes partially charged, at 30% or less of capacity. Run the server for 4 to 6 hours to fully charge the controller battery. The LED just above the battery on the controller remains lit until the battery is fully charged.

Until the battery is fully charged, the controller firmware sets the controller cache to write-through mode; after the battery is fully charged, the controller firmware re-enables write-back mode.

2. When you restart the server, you are given the opportunity to import the existing RAID configuration to the new ServeRAID SAS controller.

Installing a ServeRAID SAS controller battery on the remote battery tray

The Intelligent Battery Backup Unit (iBBU) is an optional battery for the ServeRAID-MR10i SAS/SATA controller and a standard battery for the ServeRAID-MR10M SAS/SATA controller. It is referred to as the *battery* throughout this section.

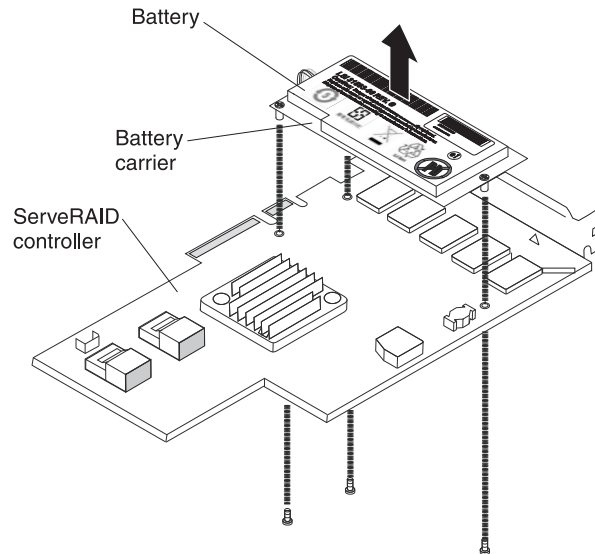
When you install a ServeRAID SAS controller in a PCI riser-card assembly in the server, you must install the battery at a distance from the ServeRAID controller to avoid overheating. This section describes the process for installing a battery or batteries in the server.

To install a battery, complete the following steps:

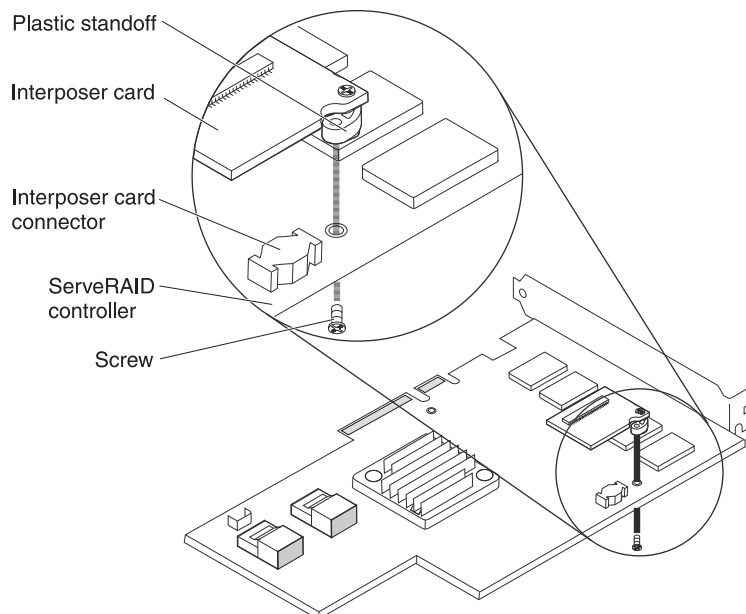
1. Read the safety information that begins on page vii and “Installation guidelines” on page 36.
2. Turn off the server and peripheral devices and disconnect all power cords and external cables (see “Turning off the server” on page 21).
3. Remove the cover (see “Removing the cover” on page 43).
4. Remove the PCI riser-card assembly from the server and set it aside (see “Removing a PCI riser-card assembly” on page 44).
5. Remove the ServeRAID controller from the riser card (see “Removing a PCI adapter” on page 54).

6. If a battery and battery carrier are attached to the SAS controller, disconnect the battery carrier cable from the battery and remove the three screws that secure the battery carrier to the ServeRAID controller. Set the battery and battery carrier aside.

Note: The illustrations in this document might differ slightly from your hardware.

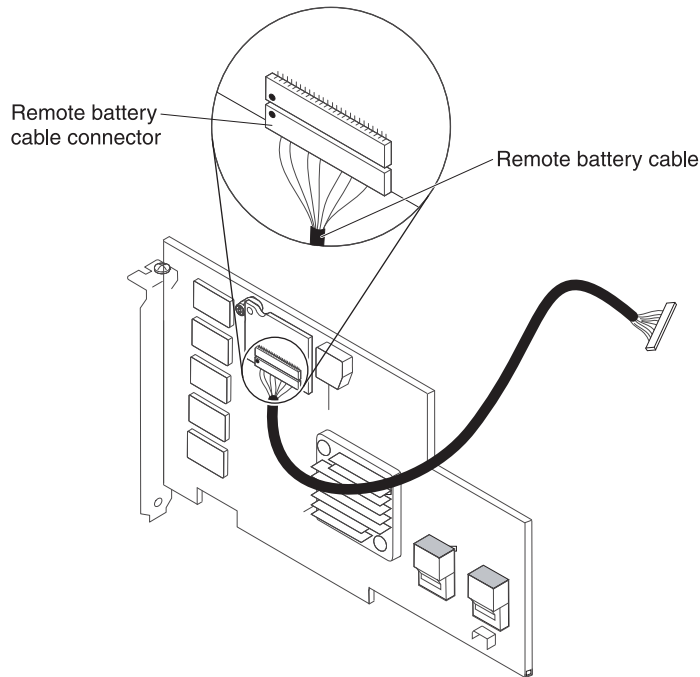


7. Install the interposer card on the interposer card connector on the ServeRAID controller:
 - a. Remove the interposer card and the loose screw from the bag.
 - b. Rotate the standoff so that it aligns with the hole in the ServeRAID controller, and position the interposer card connector over the ServeRAID controller connector.



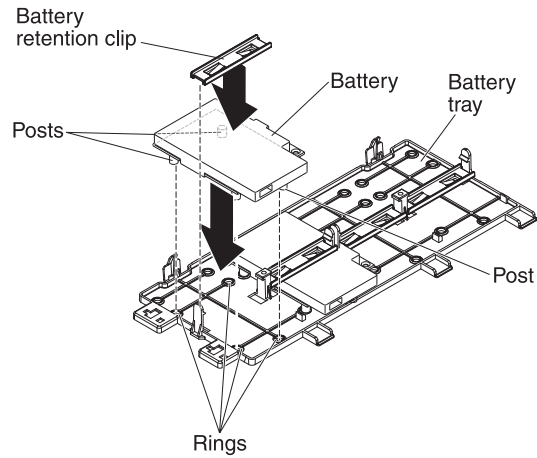
- c. Press the interposer card down onto the interposer card connector so that the interposer card is secured.

- d. From the other side of the ServeRAID controller, insert and tighten the screw to secure the interposer card to the ServeRAID controller.
8. Connect one end of the remote battery cable to the interposer card.
Attention: To avoid damage to the hardware, make sure that you align the black dot on the cable connector with the black dot on the connector on the interposer card. *Do not force the remote battery cable into the connector.*



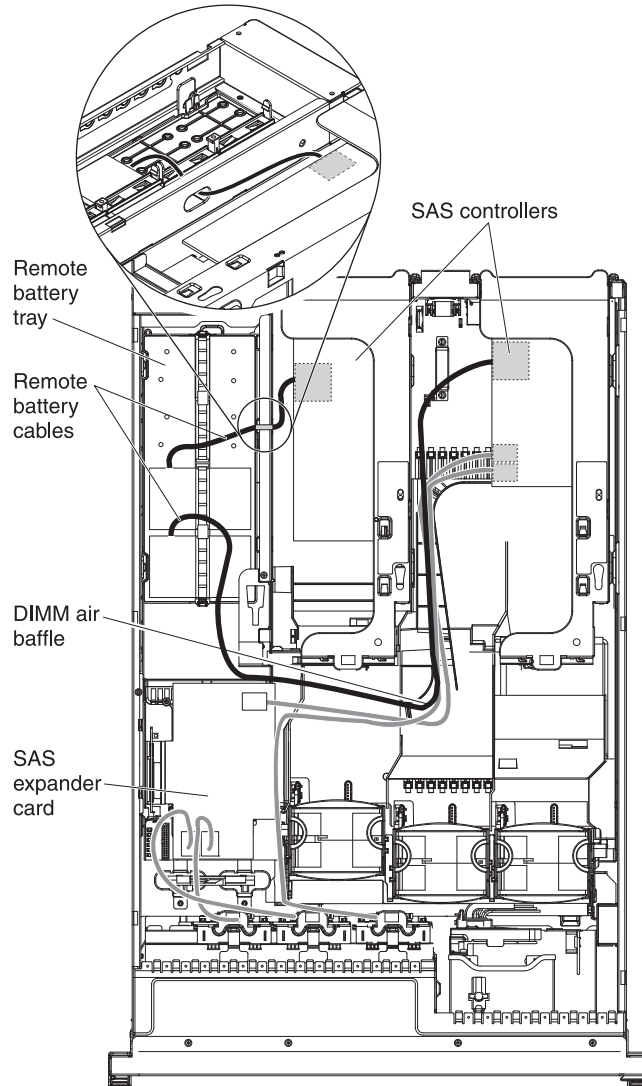
9. Install the ServeRAID controller on the riser card (see “Installing a PCI adapter” on page 51).
10. Install the PCI riser-card assembly in the server (see “Installing a PCI riser-card assembly” on page 45).
11. Connect the remote battery cable to the battery carrier.
Attention: To avoid damage to the hardware, make sure that you align the black dot on the cable connector with the black dot on the connector on the interposer card. *Do not force the remote battery cable into the connector.*

12. Install the battery on the remote battery tray:
 - a. Connect the battery carrier cable to the battery, if it is not already connected.
 - b. On the remote battery tray, find the pattern of recessed rings that matches the posts on the battery and battery carrier.



- c. Press the posts into the rings and underneath the tabs on the remote battery tray.
 - d. Secure the battery to the tray with the battery retention clip.
13. Route the remote battery cable.

Attention: Make sure that the cable is not pinched and does not cover any connectors or obstruct any components on the system board.

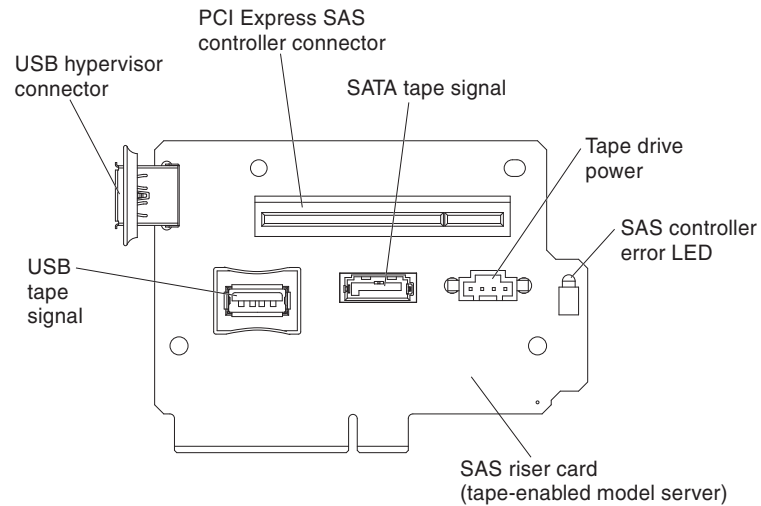


- **For a battery that is installed in PCI assembly slot 1:** Route the remote battery cable from the ServeRAID controller down through the slot on the left side of the DIMM air baffle, through the notch on the left side of the DIMM air baffle, across to the notch in the microprocessor air baffle, and up to the battery on the remote battery tray.
 - **For a battery that is installed in PCI assembly slot 2:** Route the remote battery cable from the ServeRAID controller through the hole in the right side of the power supply (see the illustration detail).
14. To install another ServeRAID controller remote battery in the server, repeat steps 7 on page 97 through 12 on page 99.
 15. Install the server cover.
 16. Connect the power cords and all external cables, and turn on the server and peripheral devices.

Note: The battery must recharge for at least 6 hours under normal operating conditions. To protect your data, the ServeRAID controller firmware changes the write policy to write-through until the battery unit is sufficiently charged. When the battery unit is charged, the ServeRAID controller firmware changes the write policy to write-back.

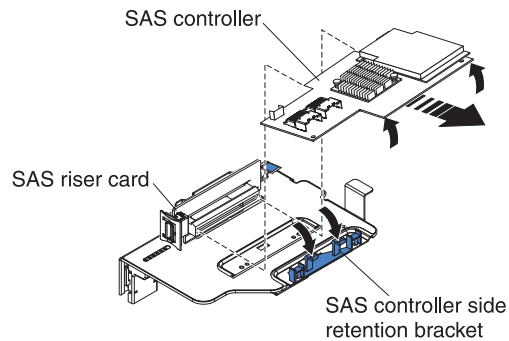
Moving the SAS controller retention bracket

Note: This procedure applies only to servers that have the following SAS riser card.

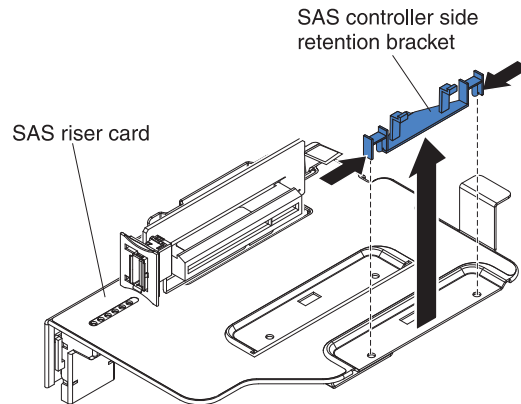


To move the SAS controller side retention bracket to a different position to accommodate the dimensions of the current SAS ServeRAID controller, complete the following steps:

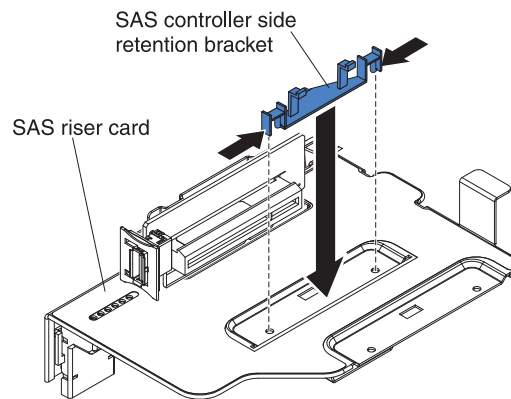
1. Read the safety information that begins on page vii and “Installation guidelines” on page 36.
2. Make sure that the server and all peripheral devices are turned off and that the power cords and all external cables are disconnected.
3. Remove the SAS riser-card assembly from the server (see “Removing the SAS riser-card and controller assembly” on page 91).
4. Remove the ServeRAID controller from the SAS riser card.



5. Remove the retention bracket from the current location:
 - a. Pinch the bottoms of both bracket posts and push the posts up out of the SAS riser-card assembly.



- b. Rotate the bracket to free the bracket tab from the slot on the SAS riser-card assembly.
6. Install the retention bracket in the new location on the SAS riser-card assembly:
 - a. Insert the bracket tab into the slot on the SAS riser-card assembly.



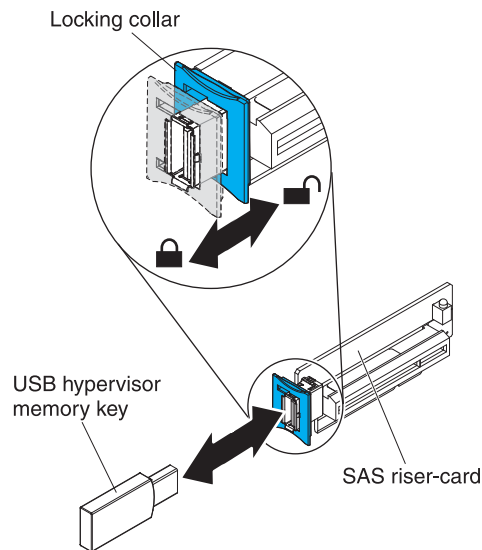
- b. Rotate the bracket so that the bracket posts align with the holes in the SAS riser-card assembly.
 - c. Press the posts through the holes in the SAS riser-card until they click into place.
 - d. Install the SAS controller on the SAS riser card (see “Installing a ServeRAID SAS controller on the SAS riser card” on page 94).
 - e. Install the riser-card assembly in the server (see “Installing the SAS riser-card and controller assembly” on page 92).
 - f. Connect the power cords and all external cables, and turn on the server and peripheral devices.

Installing a USB hypervisor memory key

Hypervisor is a virtualization platform that enables multiple operating systems to run on a host computer at the same time. Support for hypervisor is available with the purchase and installation of an optional USB hypervisor memory key, with embedded hypervisor software.

To install the USB hypervisor memory key, complete the following steps:

1. Read the safety information that begins on page vii and “Installation guidelines” on page 36.
2. Turn off the server and peripheral devices and disconnect all power cords and external cables (see “Turning off the server” on page 21).
3. Remove the cover (see “Removing the cover” on page 43).
4. Locate the SAS riser-card assembly, which is near the left front corner of the server.
5. Push the blue locking collar on the USB hypervisor connector on the SAS riser card toward the SAS riser card (the unlocked position).



6. Insert the hypervisor memory key into the USB hypervisor connector.
7. Slide the blue lock on the USB hypervisor connector forward toward the hypervisor memory key as far as it will go, to secure the memory key in position.

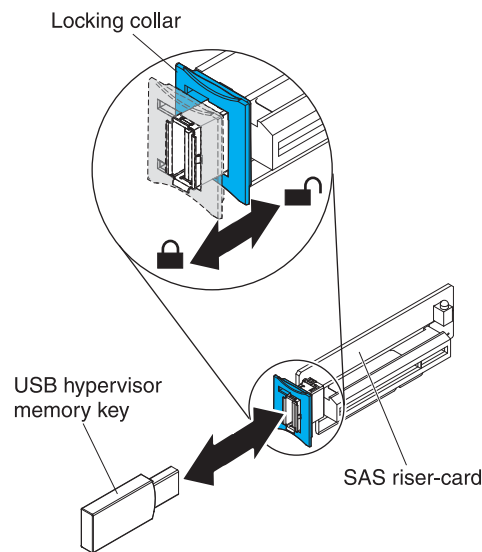
If you have other devices to install or remove, do so now. Otherwise, go to “Completing the installation” on page 106.

Note: You must configure the server to boot from the hypervisor USB drive. See Chapter 3, “Configuring the server,” on page 111 for information about enabling the embedded hypervisor.

Removing a USB hypervisor memory key

To remove the USB hypervisor memory key, complete the following steps:

1. Read the safety information that begins on page vii and “Installation guidelines” on page 36.
2. Turn off the server and peripheral devices and disconnect all power cords and external cables (see “Turning off the server” on page 21).
3. Remove the cover (see “Removing the cover” on page 43).
4. Locate the SAS riser-card assembly, which is near the left front corner of the server.
5. Push the blue locking collar on the USB hypervisor connector back toward the SAS riser card to unlock it from the connector.



6. Pull the hypervisor memory key from the USB hypervisor connector.

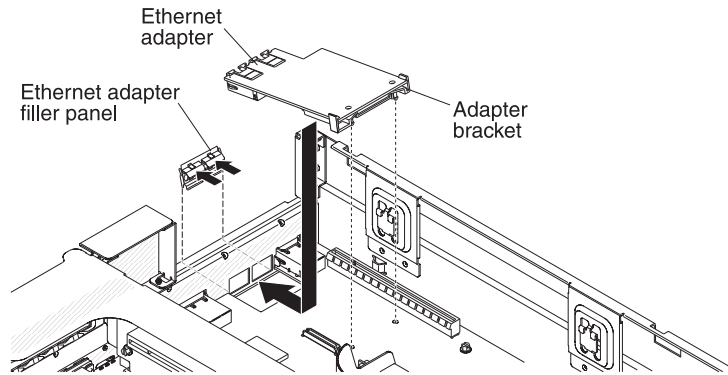
If you have other devices to install or remove, do so now. Otherwise, go to “Completing the installation” on page 106.

Note: You must configure the server not to look for the hypervisor USB drive. See Chapter 3, “Configuring the server,” on page 111 for information about disabling hypervisor support.

Installing an Ethernet adapter

To install an Ethernet adapter, complete the following steps:

1. Read the safety information that begins on page vii and “Installation guidelines” on page 36.
2. Make sure that the server is turned off, all external cables and power cords are disconnected, and the cover has been removed. For more information, see “Turning off the server” on page 21 and “Removing the cover” on page 43.
3. On the inside of the server chassis, press down on the two tabs on the Ethernet adapter filler panel and push out the filler panel.



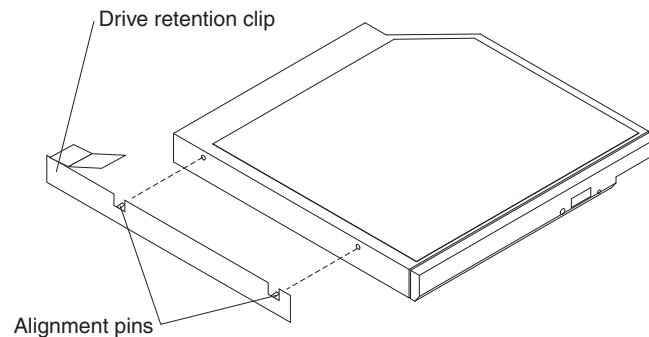
4. Align the Ethernet adapter and bracket as shown in the previous illustration.
5. Press down on the Ethernet adapter to connect it to the system board. Make sure that the bracket pins go into the holes in the system board.

If you have other devices to install or remove, do so now. Otherwise, go to “Completing the installation” on page 106.

Installing an optional CD-RW/DVD drive

For a list of supported optional optical disk drives for the server, see <http://www.ibm.com/servers/eserver/serverproven/compat/us/>.

To install an optional CD-RW/DVD drive, complete the following steps.



1. Read the safety information that begins on page vii and “Installation guidelines” on page 36.
2. Make sure that the server is turned off, all external cables and power cords are disconnected, and the cover has been removed. For more information, see “Turning off the server” on page 21 and “Removing the cover” on page 43.
3. Remove the drive filler panel.

4. Attach the drive-retention clip to the side of the drive.
5. Slide the drive into the CD/DVD drive bay until the drive clicks into place.

If you have other devices to install or remove, do so now. Otherwise, go to “Completing the installation.”

Completing the installation

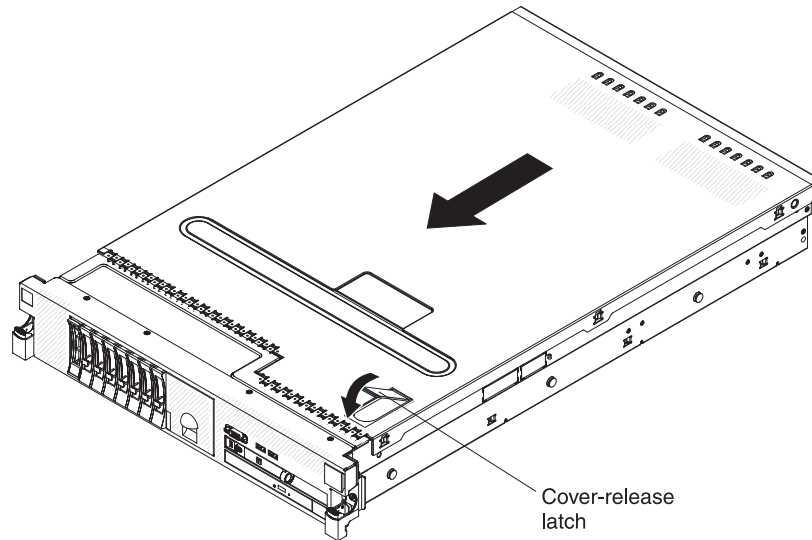
To complete the installation, complete the following steps:

1. If you removed the microprocessor 2 air baffle, replace the microprocessor 2 air baffle (see “Installing the microprocessor 2 air baffle” on page 47).
2. If you removed the DIMM air baffle, install it (see “Installing the DIMM air baffle” on page 49).
3. If you removed either of the PCI riser-card assemblies, replace the riser-card assemblies (see “Installing a PCI riser-card assembly” on page 45).
4. If you removed the server cover, replace it (see “Replacing the server cover” on page 107).
5. Install the server in a rack. See the *Rack Installation Instructions* that come with the server for complete rack installation and removal instructions.
6. To attach peripheral devices and connect the power cords, see “Connecting the external cables” on page 108.

Replacing the server cover

To replace the server cover, complete the following steps:

1. Make sure that all internal cables are correctly routed.
2. Place the cover-release latch in the open (up) position.

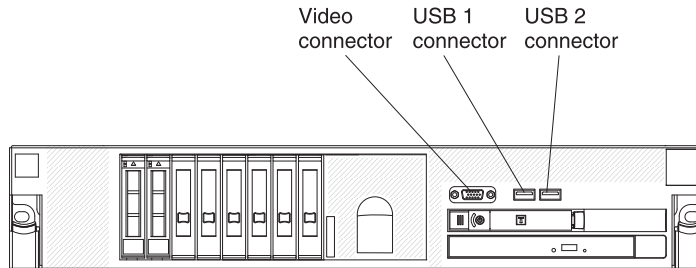


3. Insert the bottom tabs of the top cover into the matching slots in the server chassis.
4. Press down on the cover-release latch to slide the cover forward and lock the cover in place.
5. Slide the server into the rack.

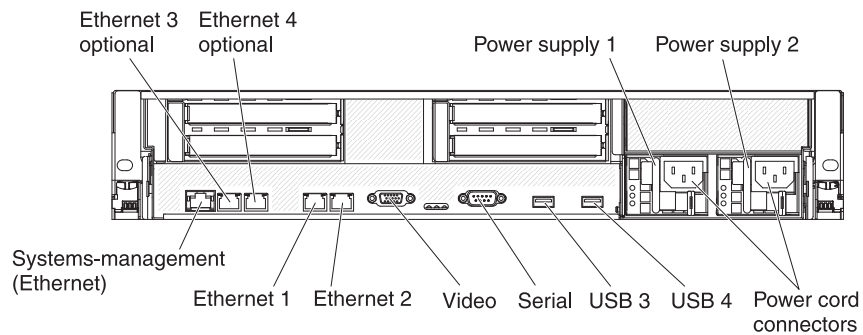
Connecting the external cables

The following illustrations show the locations of the input and output connectors on the front and rear of the server.

Front view



Rear view



See the documentation that comes with any external devices for additional cabling instructions. It might be easier for you to route cables before you connect the devices to the server.

Cable identifiers are printed on the cables that come with the server and optional devices. Use these identifiers to connect the cables to the correct connectors.

If the server comes with an installed operating system, see the documentation that comes with the operating system for additional cabling instructions.

Updating the server configuration

When you start the server for the first time after you add or remove an internal device, external SAS device, or USB keyboard or mouse, you might receive a message that the configuration has changed. After the POST fails three times, the Setup utility starts automatically so that you can save the new configuration settings. For more information, see Chapter 3, “Configuring the server,” on page 111.

Some optional devices have device drivers that you must install. See the documentation that comes with each optional device for information about installing device drivers.

The server comes with at least one multi-core microprocessor, which enables the server to operate as a symmetric multiprocessing (SMP) server. You might have to upgrade the operating system to support SMP. For more information, see “Using the ServerGuide Setup and Installation CD” on page 119 and the operating-system documentation.

If you have installed or removed a hard disk drive, see “Using the LSI Configuration Utility program” on page 126.

If you have installed a USB hypervisor memory key on the SAS riser card, see the user’s guide that comes with the hypervisor memory key. Hypervisor enables guest operating systems to function on the server.

For information about configuring the integrated Gigabit Ethernet controller, see “Configuring the Gigabit Ethernet controller” on page 125.

Chapter 3. Configuring the server

The following configuration programs come with the server:

- **Setup utility**

The Setup utility (formerly called the Configuration/Setup Utility program) is part of the IBM System x Server Firmware. Use it to change interrupt request (IRQ) settings, change the startup-device sequence, set the date and time, and set passwords. For information about using this program, see “Using the Setup utility” on page 112.

- **Boot Menu program**

The Boot Menu program is part of the IBM System x Server Firmware. Use it to override the startup sequence that is set in the Setup utility and temporarily assign a device to be first in the startup sequence.

- **IBM ServerGuide Setup and Installation CD**

The ServerGuide program provides software-setup tools and installation tools that are designed for the server. Use this CD during the installation of the server to configure basic hardware features, such as an integrated SAS controller with RAID capabilities, and to simplify the installation of your operating system. For information about obtaining and using this CD, see “Using the ServerGuide Setup and Installation CD” on page 119.

- **Integrated management module**

Use the integrated management module (IMM) for configuration, to update the firmware and sensor data record/field replaceable unit (SDR/FRU) data, and to remotely manage a network. For information about using the IMM, see “Using the integrated management module” on page 121.

- **VMware embedded USB hypervisor**

The VMware embedded USB hypervisor is available on the server models that come with an installed IBM USB Memory Key for VMware hypervisor. The USB memory key is installed in the USB connector on the SAS riser card. Hypervisor is virtualization software that enables multiple operating systems to run on a host computer at the same time. For more information about using the embedded hypervisor, see “Using the USB memory key for VMware hypervisor” on page 123.

- **Remote presence capability and blue-screen capture**

The remote presence and blue-screen capture feature are integrated into the integrated management module (IMM). The virtual media key is required to enable these features. When the optional virtual media key is installed in the server, it activates the remote presence functions. Without the virtual media key, you will not be able to access the network remotely to mount or unmount drives or images on the client system. However, you will still be able to access the host graphical user interface through the Web interface without the virtual media key. You can order an optional IBM Virtual Media Key, if one did not come with your server. For more information about how to enable the remote presence function, see “Using the remote presence capability and blue-screen capture” on page 123.

- **Ethernet controller configuration**

For information about configuring the Ethernet controller, see “Configuring the Gigabit Ethernet controller” on page 125.

- **LSI Configuration Utility program**

Use the LSI Configuration Utility program to configure the integrated SAS/SATA controller with RAID capabilities and the devices that are attached to it. For information about using this program, see “Using the LSI Configuration Utility program” on page 126.

The following table lists the different server configurations and the applications that are available for configuring and managing RAID arrays.

Table 13. Server configurations and applications for configuring and managing RAID arrays

Server configuration	RAID array configuration (before operating system is installed)	RAID array management (after operating system is installed)
ServeRAID-BR10i SAS/SATA Controller (LSI 1068) installed	LSI Utility (invoked from the Setup utility), ServerGuide	MegaRAID Storage Manager (for monitoring storage only)
ServeRAID-MR10i SAS/SATA Controller (LSI 1078) installed	MegaRAID Storage Manager (MSM), MegaRAID BIOS Configuration Utility (press C to start), ServerGuide	MegaRAID Storage Manager (MSM)

- **IBM Advanced Settings Utility (ASU) program**

Use this program as an alternative to the Setup utility for modifying UEFI settings and IMM settings. Use the ASU program online or out-of-band to modify UEFI settings from the command line without the need to restart the server to access the Setup utility. For more information about using this program, see “IBM Advanced Settings Utility program” on page 128.

Using the Setup utility

Use the Setup utility, formerly called the Configuration/Setup Utility program, to perform the following tasks:

- View configuration information
- View and change assignments for devices and I/O ports
- Set the date and time
- Set the startup characteristics of the server and the order of startup devices
- Set and change settings for advanced hardware features
- View, set, and change settings for power-management features
- View and clear error logs
- Resolve configuration conflicts

Starting the Setup utility

To start the Setup utility, complete the following steps:

1. Turn on the server.

Note: Approximately 3 minutes after the server is connected to ac power, the power-control button becomes active.

2. When the prompt <F1> Setup is displayed, press F1. If you have set an administrator password, you must type the administrator password to access the full Setup utility menu. If you do not type the administrator password, a limited Setup utility menu is available.
3. Select the settings to view or change.

Setup utility menu choices

The following choices are on the Setup utility main menu. Depending on the version of the firmware, some menu choices might differ slightly from these descriptions.

- **System Information**

Select this choice to view information about the server. When you make changes through other choices in the Setup utility, some of those changes are reflected in the system information; you cannot change settings directly in the system information.

This choice is on the full Setup utility menu only.

- **System Summary**

Select this choice to view configuration information, including the ID, speed, and cache size of the microprocessors, machine type and model of the server, the serial number, the system UUID, and the amount of installed memory. When you make configuration changes through other choices in the Setup utility, the changes are reflected in the system summary; you cannot change settings directly in the system summary.

- **Product Data**

Select this choice to view the system-board identifier, the revision level or issue date of the firmware, the integrated management module and diagnostics code, and the version and date.

- **System Settings**

Select this choice to view or change the server component settings.

- **Processors**

Select this choice to view or change the processor settings.

- **Memory**

Select this choice to view or change the memory settings. To configure memory mirroring, select **System Settings** → **Memory**, and then select **Memory Channel Mode** → **Mirroring**.

- **Devices and I/O Ports**

Select this choice to view or change assignments for devices and input/output (I/O) ports. You can configure the serial ports; configure remote console redirection; enable or disable integrated Ethernet controllers, the SAS/SATA controller, SATA optical drive channels, and PCI slots; and view the system Ethernet MAC addresses. If you disable a device, it cannot be configured, and the operating system will not be able to detect it (this is equivalent to disconnecting the device).

- **Power**

Select this choice to view or change power capping to control consumption, processors, and performance states.

- **Operating Modes**

Select this choice to view or change the operating profile (for example, performance and power utilization).

- **Legacy Support**

Select this choice to view or set legacy support.

- **Force Legacy Video on Boot**

Select this choice to force INT video support, if the operating system does not support UEFI video output standards.

- **Rehook INT**
Select this choice to enable or disable devices from taking control of the boot process. The default is **Disable**.
- **Legacy Thunk Support**
Select this choice to enable or disable the UEFI to interact with PCI mass storage devices that are not UEFI-compliant.
- **Integrated Management Module**
Select this choice to view or change the settings for the integrated management module.
 - **POST Watchdog Timer**
Select this choice to view or enable the POST watchdog timer.
 - **POST Watchdog Timer Value**
Select this choice to view or set the POST loader watchdog timer value.
 - **Reboot System on NMI**
Enable or disable restarting the system whenever a nonmaskable interrupt (NMI) occurs. **Disabled** is the default.
 - **Network Configuration**
Select this choice to view the system management network interface port, the IMM MAC address, the current IMM IP address, and host name; define the static IMM IP address, subnet mask, and gateway address; specify whether to use the static IP address or have DHCP assign the IMM IP address; save the network changes; and reset the IMM.
 - **Reset IMM to Defaults**
Select this choice to view or reset IMM to the default settings.
- **Adapters and UEFI Drivers**
Select this choice to view information about the adapters and drivers in the server that are compliant with EFI 1.10 and UEFI 2.0.
- **Network**
Select this choice to view or configure the network options, such as the iSCSI, PXE, and network devices. There might be additional configuration choices for optional network devices that are compliant with UEFI 2.1 and later.
- **Storage**
Select this choice to view or configure the storage devices options. There might be additional configuration choices for optional storage devices that are compliant with UEFI 2.1 and later.
- **Video**
Select this choice to view or configure the video device options installed in the server. There might be additional configuration choices for optional video devices that are compliant with UEFI 2.1 and later.
- **Date and Time**
Select this choice to set the date and time in the server, in 24-hour format (*hour:minute:second*).
This choice is on the full Setup utility menu only.
- **Start Options**
Select this choice to view or change the start options, including the startup sequence, keyboard NumLock state, PXE boot option, and PCI device boot priority. Changes in the startup options take effect when you start the server.
The startup sequence specifies the order in which the server checks devices to find a boot record. The server starts from the first boot record that it finds. If the

server has Wake on LAN hardware and software and the operating system supports Wake on LAN functions, you can specify a startup sequence for the Wake on LAN functions. For example, you can define a startup sequence that checks for a disc in the CD-RW/DVD drive, then checks the hard disk drive, and then checks a network adapter.

This choice is on the full Setup utility menu only.

- **Boot Manager**

Select this choice to view, add, or change the device boot priority, boot from a file, select a one-time boot, or reset the boot order to the default setting.

- **System Event Logs**

Select this choice to enter the System Event Manager, where you can view the error messages in the system-event logs. You can use the arrow keys to move between pages in the error log.

The system-event logs contain all event and error messages that have been generated during POST, by the systems-management interface handler, and by the system service processor. Run the diagnostic programs to get more information about error codes that occur. See the *Problem Determination and Service Guide* on the IBM *Documentation* CD for instructions for running the diagnostic programs.

Important: If the system-error LED on the front of the server is lit but there are no other error indications, clear the system-event log. Also, after you complete a repair or correct an error, clear the system-event log to turn off the system-error LED on the front of the server.

- **POST Event Viewer**

- Select this choice to enter the POST event viewer to view the error messages in the POST event log.

- **System Event Log**

- Select this choice to view the error messages in the system-event log.

- **Clear System Event Log**

- Select this choice to clear the system-event log.

- **User Security**

Select this choice to set, change, or clear passwords. See “Passwords” on page 116 for more information.

This choice is on the full and limited Setup utility menu.

- **Set Power-on Password**

- Select this choice to set or change a power-on password. For more information, see “Power-on password” on page 116.

- **Clear Power-on Password**

- Select this choice to clear a power-on password. For more information, see “Power-on password” on page 116.

- **Set Administrator Password**

- Select this choice to set or change an administrator password. An administrator password is intended to be used by a system administrator; it limits access to the full Setup utility menu. If an administrator password is set, the full Setup utility menu is available only if you type the administrator password at the password prompt. For more information, see “Administrator password” on page 119.

- **Clear Administrator Password**

- Select this choice to clear an administrator password. For more information, see “Administrator password” on page 119.

- **Save Settings**
Select this choice to save the changes that you have made in the settings.
- **Restore Settings**
Select this choice to cancel the changes that you have made in the settings and restore the previous settings.
- **Load Default Settings**
Select this choice to cancel the changes that you have made in the settings and restore the factory settings.
- **Exit Setup**
Select this choice to exit from the Setup utility. If you have not saved the changes that you have made in the settings, you are asked whether you want to save the changes or exit without saving them.

Passwords

From the **User Security** menu choice, you can set, change, and delete a power-on password and an administrator password. The **User Security** choice is on the full Setup utility menu only.

If you set only a power-on password, you must type the power-on password to complete the system startup and to have access to the full Setup utility menu.

An administrator password is intended to be used by a system administrator; it limits access to the full Setup utility menu. If you set only an administrator password, you do not have to type a password to complete the system startup, but you must type the administrator password to access the Setup utility menu.

If you set a power-on password for a user and an administrator password for a system administrator, you can type either password to complete the system startup. A system administrator who types the administrator password has access to the full Setup utility menu; the system administrator can give the user authority to set, change, and delete the power-on password. A user who types the power-on password has access to only the limited Setup utility menu; the user can set, change, and delete the power-on password, if the system administrator has given the user that authority.

Power-on password

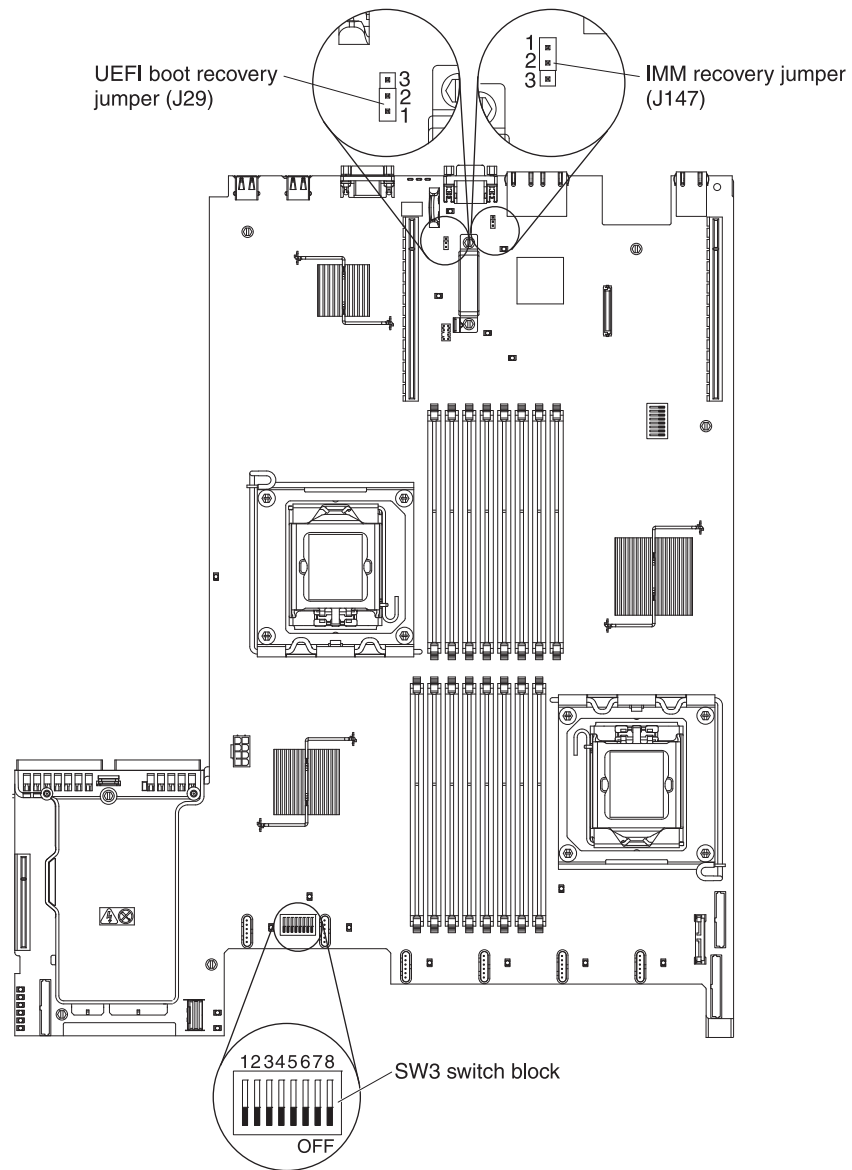
If a power-on password is set, when you turn on the server, the system startup will not be completed until you type the power-on password. You can use any combination of up to seven characters (A - Z, a - z, and 0 - 9) for the password.

When a power-on password is set, you can enable the Unattended Start mode, in which the keyboard and mouse remain locked but the operating system can start. You can unlock the keyboard and mouse by typing the power-on password.

If you forget the power-on password, you can regain access to the server in any of the following ways:

- If an administrator password is set, type the administrator password at the password prompt. Start the Setup utility and reset the power-on password.
- Remove the battery from the server and then reinstall it. See the *Problem Determination and Service Guide* on the IBM *Documentation* CD for instructions for removing the battery.

- **For the Pass 8 level system board**, change the position of the power-on password switch (enable switch 5 of the system board switch block (SW3) to bypass the power-on password check (see Table 4 on page 27 for more information).



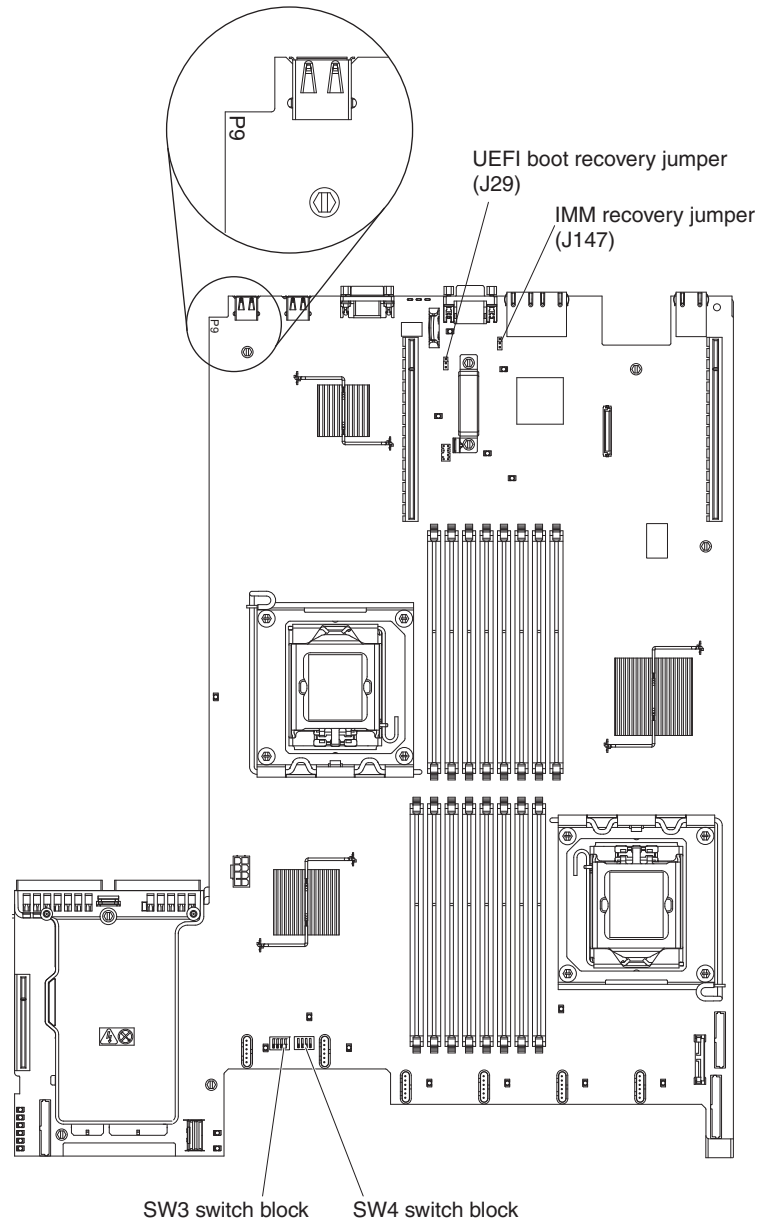
Attention: Before you change any switch settings or move any jumpers, turn off the server; then, disconnect all power cords and external cables. See the safety information that begins on page vii. Do not change settings or move jumpers on any system-board switch or jumper blocks that are not shown in this document.

The default for all of the switches on switch block (SW3) is Off.

While the server is turned off, move switch 5 of the switch block (SW3) to the On position to enable the power-on password override. You can then start the Setup utility and reset the power-on password. You do not have to return the switch to the previous position.

The power-on password override switch does not affect the administrator password.

- **For the Pass 9 level system board**, change the position of the power-on password switch (enable switch 1 of the system board switch block (SW4) to bypass the power-on password check (see Table 7 on page 31 for more information). The Pass 9 level system board is identified by P9 on the corner of the system board near the USB connectors on the rear of the server, as shown in the following illustration.



Attention: Before you change any switch settings or move any jumpers, turn off the server; then, disconnect all power cords and external cables. See the safety information that begins on page vii. Do not change settings or move jumpers on any system-board switch or jumper blocks that are not shown in this document.

The default for all of the switches on switch block (SW4) is Off.

While the server is turned off, move switch 1 of the switch block (SW4) to the On position to enable the power-on password override. You can then start the Setup utility and reset the power-on password. You do not have to return the switch to the previous position.

The power-on password override switch does not affect the administrator password.

Administrator password

If an administrator password is set, you must type the administrator password for access to the full Setup utility menu. You can use any combination of up to seven characters (A - Z, a - z, and 0 - 9) for the password.

Attention: If you set an administrator password and then forget it, there is no way to change, override, or remove it. You must replace the system board.

Using the Boot Selection Menu program

The Boot Selection Menu is used to temporarily redefine the first startup device without changing boot options or settings in the Setup utility.

To use the Boot Selection Menu program, complete the following steps:

1. Turn off the server.
2. Restart the server.
3. Press F12 (**Select Boot Device**). If a bootable USB mass storage device is installed, a submenu item (**USB Key/Disk**) is displayed.
4. Use the Up Arrow and Down Arrow keys to select an item from the **Boot Selection Menu** and press Enter.

The next time the server starts, it returns to the startup sequence that is set in the Setup utility.

Starting the backup server firmware

The system board contains a backup copy area for the server firmware. This is a secondary copy of server firmware that you update only during the process of updating server firmware. If the primary copy of the server firmware becomes damaged, use this backup copy.

To force the server to start from the backup copy, turn off the server; then, place the UEFI boot recovery J29 jumper in the backup position (pins 2 and 3).

Use the backup copy of the server firmware until the primary copy is restored. After the primary copy is restored, turn off the server; then, move the UEFI boot recovery J29 jumper back to the primary position (pins 1 and 2).

Using the ServerGuide Setup and Installation CD

The *ServerGuide Setup and Installation* CD contains a setup and installation program that is designed for your server. The ServerGuide program detects the server model and optional hardware devices that are installed and uses that information during setup to configure the hardware. The ServerGuide program simplifies operating-system installations by providing updated device drivers and, in some cases, installing them automatically.

You can download a free image of the *ServerGuide Setup and Installation* CD or purchase the CD from the ServerGuide fulfillment Web site at <http://www.ibm.com/systems/management/serverguide/sub.html>. To download the free image, click **IBM Service and Support Site**.

Note: Changes are made periodically to the IBM Web site. The actual procedure might vary slightly from what is described in this document.

The ServerGuide program has the following features:

- An easy-to-use interface
- Diskette-free setup, and configuration programs that are based on detected hardware
- ServeRAID Manager program, which configures your ServeRAID adapter or integrated SCSI controller with RAID capabilities
- Device drivers that are provided for the server model and detected hardware
- Operating-system partition size and file-system type that are selectable during setup

ServerGuide features

Features and functions can vary slightly with different versions of the ServerGuide program. To learn more about the version that you have, start the *ServerGuide Setup and Installation* CD and view the online overview. Not all features are supported on all server models.

The ServerGuide program requires a supported IBM server with an enabled startable (bootable) CD drive. In addition to the *ServerGuide Setup and Installation* CD, you must have your operating-system CD to install the operating system.

The ServerGuide program performs the following tasks:

- Sets system date and time
- Detects the RAID adapter or controller and runs the SAS RAID configuration program (with LSI chip sets for ServeRAID adapters only)
- Checks the microcode (firmware) levels of a ServeRAID adapter and determines whether a later level is available from the CD
- Detects installed optional hardware devices and provides updated device drivers for most adapters and devices
- Provides diskette-free installation for supported Windows operating systems
- Includes an online readme file with links to tips for hardware and operating-system installation

Setup and configuration overview

When you use the *ServerGuide Setup and Installation* CD, you do not need setup diskettes. You can use the CD to configure any supported IBM server model. The setup program provides a list of tasks that are required to set up your server model. On a server with a ServeRAID adapter or integrated SCSI controller with RAID capabilities, you can run the SCSI RAID configuration program to create logical drives.

Note: Features and functions can vary slightly with different versions of the ServerGuide program.

When you start the *ServerGuide Setup and Installation* CD, the program prompts you to complete the following tasks:

- Select your language.
- Select your keyboard layout and country.
- View the overview to learn about ServerGuide features.
- View the readme file to review installation tips for your operating system and adapter.

- Start the operating-system installation. You will need your operating-system CD.

Typical operating-system installation

The ServerGuide program can reduce the time it takes to install an operating system. It provides the device drivers that are required for your hardware and for the operating system that you are installing. This section describes a typical ServerGuide operating-system installation.

Note: Features and functions can vary slightly with different versions of the ServerGuide program.

1. After you have completed the setup process, the operating-system installation program starts. (You will need your operating-system CD to complete the installation.)
2. The ServerGuide program stores information about the server model, service processor, hard disk drive controllers, and network adapters. Then, the program checks the CD for newer device drivers. This information is stored and then passed to the operating-system installation program.
3. The ServerGuide program presents operating-system partition options that are based on your operating-system selection and the installed hard disk drives.
4. The ServerGuide program prompts you to insert your operating-system CD and restart the server. At this point, the installation program for the operating system takes control to complete the installation.

Installing your operating system without using ServerGuide

If you have already configured the server hardware and you are not using the ServerGuide program to install your operating system, complete the following steps to download the latest operating-system installation instructions from the IBM Web site.

Note: Changes are made periodically to the IBM Web site. The actual procedure might vary slightly from what is described in this document.

1. Go to <http://www.ibm.com/systems/support/>.
2. Under **Product support**, click **System x**.
3. From the menu on the left side of the page, click **System x support search**.
4. From the **Task** menu, select **Install**.
5. From the **Product family** menu, select **System x3650 M2**.
6. From the **Operating system** menu, select your operating system, and then click **Search** to display the available installation documents.

Using the integrated management module

The integrated management module (IMM) is a second generation of the functions that were formerly provided by the baseboard management controller hardware. It combines service processor functions, video controller, and (when an optional virtual media key is installed) remote presence function in a single chip.

The IMM supports the following basic systems-management features:

- Environmental monitor with fan speed control for temperature, voltages, fan failure, and power supply failure.
- Light path diagnostics LEDs to report errors that occur with fans, power supplies, microprocessor, hard disk drives, and system errors.

- DIMM error assistance. The Unified Extensible Firmware Interface (UEFI) disables a failing DIMM that is detected during POST, and the IMM lights the associated system-error LED and the failing DIMM error LED.
- System-event log.
- ROM-based IMM firmware flash updates.
- Auto Boot Failure Recovery.
- A virtual media key, which enables full systems-management support (remote video, remote keyboard/mouse, and remote storage).
- When one of the two microprocessors reports an internal error, the server disables the defective microprocessor and restarts with the one good microprocessor.
- NMI detection and reporting.
- Automatic Server Restart (ASR) when POST is not complete or the operating system hangs and the OS watchdog timer times out. The IMM might be configured to watch for the OS watchdog timer and restart the server after a timeout, if the ASR feature is enabled. Otherwise, the IMM allows the administrator to generate an NMI by pressing an NMI button on the information panel for an operating-system memory dump. ASR is supported by IPMI.
- Intelligent Platform Management Interface (IPMI) Specification V2.0 and Intelligent Platform Management Bus (IPMB) support.
- Invalid system configuration (CNFG) LED support.
- Serial redirect.
- Serial over LAN (SOL).
- Active Energy Manager.
- Query power-supply input power.
- PECI 2 support.
- Power/reset control (power-on, hard and soft shutdown, hard and soft reset, schedule power control).
- Alerts (in-band and out-of-band alerting, PET traps - IPMI style, SNMP, e-mail).
- Operating-system failure blue screen capture.
- Command-line interface.
- Configuration save and restore.
- PCI configuration data.
- Boot sequence manipulation.

The IMM also provides the following remote server management capabilities through the OSA SMBridge management utility program:

- **Command-line interface (IPMI Shell)**

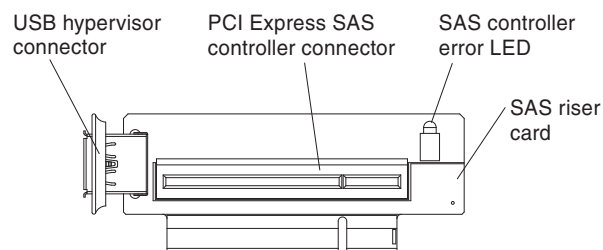
The command-line interface provides direct access to server management functions through the IPMI 2.0 protocol. Use the command-line interface to issue commands to control the server power, view system information, and identify the server. You can also save one or more commands as a text file and run the file as a script.

- **Serial over LAN**

Establish a Serial over LAN (SOL) connection to manage servers from a remote location. You can remotely view and change the UEFI settings, restart the server, identify the server, and perform other management functions. Any standard Telnet client application can access the SOL connection.

Using the USB memory key for VMware hypervisor

The VMware hypervisor is available on server models that come with an installed IBM USB Memory Key for VMware Hypervisor. The USB memory key comes installed in the USB hypervisor connector on the SAS riser card (see the following illustration). Hypervisor is virtualization software that enables multiple operating systems to run on a host computer at the same time. The USB memory key is required to activate the hypervisor functions.



To start using the embedded hypervisor functions, you must add the USB memory key to the startup sequence in the Setup utility.

To add the USB hypervisor memory key to the boot order, complete the following steps:

1. Turn on the server.

Note: Approximately 3 minutes after the server is connected to ac power, the power-control button becomes active.

2. When the prompt <F1> Setup is displayed, press F1.
3. From the Setup utility main menu, select **Boot Manager**.
4. Select **Add Boot Option**; then, select **Hypervisor**. Press Enter, and then press Esc.
5. Select **Change Boot Order** and then select **Commit Changes**; then, press Enter.
6. Select **Save Settings** and then select **Exit Setup**.

If the embedded hypervisor image becomes corrupt, you can use the *VMware Recovery CD* that comes with the server to recover the image. To recover the flash device image, complete the following steps:

1. Turn on the server.

Note: Approximately 3 minutes after the server is connected to ac power, the power-control button becomes active.

2. Insert the *VMware Recovery CD* into the CD or DVD drive.
3. Follow the instructions on the screen.

For additional information and instructions, see the *VMware ESXi Server 31 Embedded Setup Guide* at http://www.vmware.com/pdf/vi3_35/esx_3i_e/r35/vi3_35_25_3i_setup.pdf/.

Using the remote presence capability and blue-screen capture

The remote presence and blue-screen capture features are integrated functions of the integrated management module (IMM). When an optional virtual media key is installed in the server, it activates full systems-management functions. The virtual media key is required to enable the integrated remote presence and blue-screen

capture features. Without the virtual media key, you cannot remotely mount or unmount drives or images on the client system. However, you still can access the Web interface without the key.

After the virtual media key is installed in the server, it is authenticated to determine whether it is valid. If the key is not valid, you receive a message from the Web interface (when you attempt to start the remote presence feature) indicating that the hardware key is required to use the remote presence feature.

The virtual media key has an LED. When this LED is lit and green, it indicates that the key is installed and functioning correctly.

The remote presence feature provides the following functions:

- Remotely viewing video with graphics resolutions up to 1600 x 1200 at 75 MHz, regardless of the system state
- Remotely accessing the server, using the keyboard and mouse from a remote client
- Mapping the CD or DVD drive, diskette drive, and USB flash drive on a remote client, and mapping ISO and diskette image files as virtual drives that are available for use by the server
- Uploading a diskette image to the IMM memory and mapping it to the server as a virtual drive

The blue-screen capture feature captures the video display contents before the IMM restarts the server when the IMM detects an operating-system hang condition. A system administrator can use the blue-screen capture to assist in determining the cause of the hang condition.

Enabling the remote presence feature

To enable the remote presence feature, complete the following steps:

1. Install the virtual media key into the dedicated slot on the system board (see “Installing an IBM Virtual Media Key” on page 55).
2. Turn on the server.

Note: Approximately 3 minutes after the server is connected to ac power, the power-control button becomes active.

Obtaining the IP address for the Web interface access

To access the Web interface and use the remote presence feature, you need the IP address for the IMM. You can obtain the IMM IP address through the Setup utility. To locate the IP address, complete the following steps:

1. Turn on the server.

Note: Approximately 3 minutes after the server is connected to ac power, the power-control button becomes active.

2. When the prompt <F1> Setup is displayed, press F1. If you have set both a power-on password and an administrator password, you must type the administrator password to access the full Setup utility menu.
3. From the Setup utility main menu, select **System Settings**.
4. On the next screen, select **Integrated Management Module**.
5. On the next screen, select **Network Configuration**.
6. Find the IP address and write it down.

7. Exit from the Setup utility.

Logging on to the Web interface

To log on to the Web interface to use the remote presence functions, complete the following steps:

1. Open a Web browser and in the **Address** or **URL** field, type the IP address or host name of the IMM to which you want to connect.

Notes:

- a. If you are logging in to the IMM for the first time after installation, the IMM defaults to DHCP. If a DHCP host is not available, the IMM uses the default static IP address 192.168.70.125.
- b. You can obtain the DHCP-assigned IP address or the static IP address from the server UEFI or from your network administrator.

The Login page is displayed.

2. Type the user name and password. If you are using the IMM for the first time, you can obtain the user name and password from your system administrator. All login attempts are documented in the event log. A welcome page opens in the browser.

Note: The IMM is set initially with a user name of USERID and password of PASSWORD (passw0rd with a zero, not the letter O). You have read/write access. For enhanced security, change this default password during the initial configuration.

3. On the Welcome page, type a timeout value (in minutes) in the field that is provided. The IMM will log you off the Web interface if your browser is inactive for the number of minutes that you entered for the timeout value.
4. Click **Continue** to start the session. The browser opens the System Status page, which displays the server status and the server health summary.

Enabling the Broadcom Gigabit Ethernet Utility program

The Broadcom Gigabit Ethernet Utility program is part of the server firmware. You can use it to configure the network as a startable device, and you can customize where the network startup option appears in the startup sequence. Enable and disable the Broadcom Gigabit Ethernet Utility program from the Setup utility.

Configuring the Gigabit Ethernet controller

The Ethernet controllers are integrated on the system board. They provide an interface for connecting to a 10 Mbps, 100 Mbps, or 1 Gbps network and provide full-duplex (FDX) capability, which enables simultaneous transmission and reception of data on the network. If the Ethernet ports in the server support auto-negotiation, the controllers detect the data-transfer rate (10BASE-T, 100BASE-TX, or 1000BASE-T) and duplex mode (full-duplex or half-duplex) of the network and automatically operate at that rate and mode.

You do not have to set any jumpers or configure the controllers. However, you must install a device driver to enable the operating system to address the controllers. For device drivers and information about configuring the Ethernet controllers, see the *Broadcom NetXtreme II Gigabit Ethernet Software CD* that comes with the server. To find updated information about configuring the controllers, complete the following steps.

Note: Changes are made periodically to the IBM Web site. The actual procedure might vary slightly from what is described in this document.

1. Go to <http://www.ibm.com/systems/support/>.
2. Under **Product support**, click **System x**.
3. Under **Popular links**, click **Software and device drivers**.
4. From the **Product family** menu, select **System x3650 M2** and click **Go**.

Using the LSI Configuration Utility program

Use the LSI Configuration Utility program to configure and manage redundant array of independent disks (RAID) arrays. Be sure to use this program as described in this document.

- Use the LSI Configuration Utility program to perform the following tasks:
 - Perform a low-level format on a hard disk drive
 - Create an array of hard disk drives with or without a hot-spare drive
 - Set protocol parameters on hard disk drives

The integrated SAS/SATA controller with RAID capabilities supports RAID arrays. You can use the LSI Configuration Utility program to configure RAID 1 (IM), RAID 1E (IME), and RAID 0 (IS) for a single pair of attached devices. If you install a different type of RAID adapter, follow the instructions in the documentation that comes with the adapter to view or change settings for attached devices.

In addition, you can download an LSI command-line configuration program from <http://www.ibm.com/systems/support/>.

When you are using the LSI Configuration Utility program to configure and manage arrays, consider the following information:

- The integrated SAS/SATA controller with RAID capabilities supports the following features:
 - Integrated Mirroring (IM) with hot-spare support (also known as RAID 1)
Use this option to create an integrated array of two disks plus up to two optional hot spares. All data on the primary disk can be migrated.
 - Integrated Mirroring Enhanced (IME) with hot-spare support (also known as RAID 1E)
Use this option to create an integrated mirror enhanced array of three to eight disks, including up to two optional hot spares. All data on the array disks will be deleted.
 - Integrated Striping (IS) (also known as RAID 0)
Use this option to create an integrated striping array of two to eight disks. All data on the array disks will be deleted.
- Hard disk drive capacities affect how you create arrays. The drives in an array can have different capacities, but the RAID controller treats them as if they all have the capacity of the smallest hard disk drive.
- If you use an integrated SAS/SATA controller with RAID capabilities to configure a RAID 1 (mirrored) array after you have installed the operating system, you will lose access to any data or applications that were previously stored on the secondary drive of the mirrored pair.
- If you install a different type of RAID controller, see the documentation that comes with the controller for information about viewing and changing settings for attached devices.

Starting the LSI Configuration Utility program

To start the LSI Configuration Utility program, complete the following steps:

1. Turn on the server.

Note: Approximately 3 minutes after the server is connected to ac power, the power-control button becomes active.

2. When the prompt <F1> Setup is displayed, press F1. If you have set an administrator password, you must type the administrator password to access the full Setup utility menu. If you do not type the administrator password, a limited Setup utility menu is available.
3. Select **System Settings → Adapters and UEFI drivers**.
4. Select **Please refresh this page first** and press Enter.
5. Select the device driver that is applicable for the SAS controller in the server. For example, **LSI Logic Fusion MPT SAS Driver**.
6. To perform storage-management tasks, see the SAS controller documentation, which you can download from the Disk controller and RAID software matrix:
 - a. Go to <http://www.ibm.com/systems/support/>.
 - b. Under **Product support**, click **System x**.
 - c. Under **Popular links**, click **Storage Support Matrix**.

When you have finished changing settings, press Esc to exit from the program; select **Save** to save the settings that you have changed.

Formatting a hard disk drive

Low-level formatting removes all data from the hard disk. If there is data on the disk that you want to save, back up the hard disk before you perform this procedure.

Note: Before you format a hard disk, make sure that the disk is not part of a mirrored pair.

To format a drive, complete the following steps:

1. From the list of adapters, select the controller (channel) for the drive that you want to format and press Enter.
2. Select **SAS Topology** and press Enter.
3. Select **Direct Attach Devices** and press Enter.
4. To highlight the drive that you want to format, use the Up Arrow and Down Arrow keys. To scroll left and right, use the Left Arrow and Right Arrow keys or the End key. Press Alt+D.
5. To start the low-level formatting operation, select **Format** and press Enter.

Creating a RAID array of hard disk drives

To create a RAID array of hard disk drives, complete the following steps:

1. From the list of adapters, select the controller (channel) for which you want to create an array.
2. Select **RAID Properties**.
3. Select the type of array that you want to create.
4. In the RAID Disk column, use the Spacebar or Minus (-) key to select **[Yes]** (select) or **[No]** (deselect) to select or deselect a drive from a RAID disk.
5. Continue to select drives, using the Spacebar or Minus (-) key, until you have selected all the drives for your array.

6. Press C to create the disk array.
7. Select **Save changes then exit this menu** to create the array.
8. Exit the Setup utility.

IBM Advanced Settings Utility program

The IBM Advanced Settings Utility (ASU) program is an alternative to the Setup utility for modifying UEFI settings. Use the ASU program online or out-of-band to modify UEFI settings from the command line without the need to restart the server to access the Setup utility.

You can also use the ASU program to configure the optional remote presence features or other IMM settings. The remote presence features provide enhanced systems-management capabilities.

In addition, the ASU program provides limited settings for configuring the IPMI function in the IMM through the command-line interface.

Use the command-line interface to issue setup commands. You can save any of the settings as a file and run the file as a script. The ASU program supports scripting environments through a batch-processing mode.

For more information and to download the ASU program, go to <http://www.ibm.com/systems/support/>.

Updating IBM Systems Director

If you plan to use IBM Systems Director to manage the server, you must check for the latest applicable IBM Systems Director updates and interim fixes.

Note: Changes are made periodically to the IBM Web site. The actual procedure might vary slightly from what is described in this document.

To locate and install a newer version of IBM Systems Director, complete the following steps:

1. Check for the latest version of IBM Systems Director:
 - a. Go to <http://www.ibm.com/systems/management/director/downloads.html>.
 - b. If a newer version of IBM Systems Director than what comes with the server is shown in the drop-down list, follow the instructions on the Web page to download the latest version.
2. Install the IBM Systems Director program.

If your management server is connected to the Internet, to locate and install updates and interim fixes, complete the following steps:

1. Make sure that you have run the Discovery and Inventory collection tasks.
2. On the Welcome page of the IBM Systems Director Web interface, click **View updates**.
3. Click **Check for updates**. The available updates are displayed in a table.
4. Select the updates that you want to install, and click **Install** to start the installation wizard.

If your management server is not connected to the Internet, to locate and install updates and interim fixes, complete the following steps:

1. Make sure that you have run the Discovery and Inventory collection tasks.
2. On a system that is connected to the Internet, go to <http://www.ibm.com/eserver/support/fixes/fixcentral/>.
3. From the **Product family** list, select **IBM Systems Director**.
4. From the **Product** list, select **IBM Systems Director**.
5. From the **Installed version** list, select the latest version, and click **Continue**.
6. Download the available updates.
7. Copy the downloaded files to the management server.
8. On the management server, on the Welcome page of the IBM Systems Director Web interface, click the **Manage** tab, and click **Update Manager**.
9. Click **Import updates** and specify the location of the downloaded files that you copied to the management server.
10. Return to the Welcome page of the Web interface, and click **View updates**.
11. Select the updates that you want to install, and click **Install** to start the installation wizard.

Appendix A. Getting help and technical assistance

If you need help, service, or technical assistance or just want more information about IBM products, you will find a wide variety of sources available from IBM to assist you. This section contains information about where to go for additional information about IBM and IBM products, what to do if you experience a problem with your system, and whom to call for service, if it is necessary.

Before you call

Before you call, make sure that you have taken these steps to try to solve the problem yourself:

- Check all cables to make sure that they are connected.
- Check the power switches to make sure that the system and any optional devices are turned on.
- Use the troubleshooting information in your system documentation, and use the diagnostic tools that come with your system. Information about diagnostic tools is in the *Problem Determination and Service Guide* on the *IBM Documentation CD* that comes with your system.
- Go to the IBM support Web site at <http://www.ibm.com/systems/support/> to check for technical information, hints, tips, and new device drivers or to submit a request for information.

You can solve many problems without outside assistance by following the troubleshooting procedures that IBM provides in the online help or in the documentation that is provided with your IBM product. The documentation that comes with IBM systems also describes the diagnostic tests that you can perform. Most systems, operating systems, and programs come with documentation that contains troubleshooting procedures and explanations of error messages and error codes. If you suspect a software problem, see the documentation for the operating system or program.

Using the documentation

Information about your IBM system and preinstalled software, if any, or optional device is available in the documentation that comes with the product. That documentation can include printed documents, online documents, readme files, and help files. See the troubleshooting information in your system documentation for instructions for using the diagnostic programs. The troubleshooting information or the diagnostic programs might tell you that you need additional or updated device drivers or other software. IBM maintains pages on the World Wide Web where you can get the latest technical information and download device drivers and updates. To access these pages, go to <http://www.ibm.com/systems/support/> and follow the instructions. Also, some documents are available through the IBM Publications Center at <http://www.ibm.com/shop/publications/order/>.

Getting help and information from the World Wide Web

On the World Wide Web, the IBM Web site has up-to-date information about IBM systems, optional devices, services, and support. The address for IBM System x and xSeries information is <http://www.ibm.com/systems/x/>. The address for IBM BladeCenter® information is <http://www.ibm.com/systems/bladecenter/>. The address for IBM IntelliStation® information is <http://www.ibm.com/intellistation/>.

You can find service information for IBM systems and optional devices at <http://www.ibm.com/systems/support/>.

Software service and support

Through IBM Support Line, you can get telephone assistance, for a fee, with usage, configuration, and software problems with System x and xSeries servers, BladeCenter products, IntelliStation workstations, and appliances. For information about which products are supported by Support Line in your country or region, see <http://www.ibm.com/services/sl/products/>.

For more information about Support Line and other IBM services, see <http://www.ibm.com/services/>, or see <http://www.ibm.com/planetwide/> for support telephone numbers. In the U.S. and Canada, call 1-800-IBM-SERV (1-800-426-7378).

Hardware service and support

You can receive hardware service through your IBM reseller or IBM Services. To locate a reseller authorized by IBM to provide warranty service, go to <http://www.ibm.com/partnerworld/> and click **Find a Business Partner** on the right side of the page. For IBM support telephone numbers, see <http://www.ibm.com/planetwide/>. In the U.S. and Canada, call 1-800-IBM-SERV (1-800-426-7378).

In the U.S. and Canada, hardware service and support is available 24 hours a day, 7 days a week. In the U.K., these services are available Monday through Friday, from 9 a.m. to 6 p.m.

IBM Taiwan product service

台灣 IBM 產品服務聯絡方式：
台灣國際商業機器股份有限公司
台北市松仁路7號3樓
電話：0800-016-888

IBM Taiwan product service contact information:
IBM Taiwan Corporation
3F, No 7, Song Ren Rd.
Taipei, Taiwan
Telephone: 0800-016-888

Appendix B. Notices

This information was developed for products and services offered in the U.S.A.

IBM may not offer the products, services, or features discussed in this document in other countries. Consult your local IBM representative for information on the products and services currently available in your area. Any reference to an IBM product, program, or service is not intended to state or imply that only that IBM product, program, or service may be used. Any functionally equivalent product, program, or service that does not infringe any IBM intellectual property right may be used instead. However, it is the user's responsibility to evaluate and verify the operation of any non-IBM product, program, or service.

IBM may have patents or pending patent applications covering subject matter described in this document. The furnishing of this document does not give you any license to these patents. You can send license inquiries, in writing, to:

*IBM Director of Licensing
IBM Corporation
North Castle Drive
Armonk, NY 10504-1785
U.S.A.*

INTERNATIONAL BUSINESS MACHINES CORPORATION PROVIDES THIS PUBLICATION "AS IS" WITHOUT WARRANTY OF ANY KIND, EITHER EXPRESS OR IMPLIED, INCLUDING, BUT NOT LIMITED TO, THE IMPLIED WARRANTIES OF NON-INFRINGEMENT, MERCHANTABILITY OR FITNESS FOR A PARTICULAR PURPOSE. Some states do not allow disclaimer of express or implied warranties in certain transactions, therefore, this statement may not apply to you.

This information could include technical inaccuracies or typographical errors. Changes are periodically made to the information herein; these changes will be incorporated in new editions of the publication. IBM may make improvements and/or changes in the product(s) and/or the program(s) described in this publication at any time without notice.

Any references in this information to non-IBM Web sites are provided for convenience only and do not in any manner serve as an endorsement of those Web sites. The materials at those Web sites are not part of the materials for this IBM product, and use of those Web sites is at your own risk.

IBM may use or distribute any of the information you supply in any way it believes appropriate without incurring any obligation to you.

Trademarks

IBM, the IBM logo, and [ibm.com](http://www.ibm.com) are trademarks or registered trademarks of International Business Machines Corporation in the United States, other countries, or both. If these and other IBM trademarked terms are marked on their first occurrence in this information with a trademark symbol (® or ™), these symbols indicate U.S. registered or common law trademarks owned by IBM at the time this information was published. Such trademarks may also be registered or common law trademarks in other countries. A current list of IBM trademarks is available on the Web at "Copyright and trademark information" at <http://www.ibm.com/legal/copytrade.shtml>.

Adobe and PostScript are either registered trademarks or trademarks of Adobe Systems Incorporated in the United States and/or other countries.

Cell Broadband Engine is a trademark of Sony Computer Entertainment, Inc., in the United States, other countries, or both and is used under license therefrom.

Intel, Intel Xeon, Itanium, and Pentium are trademarks or registered trademarks of Intel Corporation or its subsidiaries in the United States and other countries.

Java and all Java-based trademarks are trademarks of Sun Microsystems, Inc., in the United States, other countries, or both.

Linux is a registered trademark of Linus Torvalds in the United States, other countries, or both.

Microsoft, Windows, and Windows NT are trademarks of Microsoft Corporation in the United States, other countries, or both.

UNIX is a registered trademark of The Open Group in the United States and other countries.

Other company, product, or service names may be trademarks or service marks of others.

Important notes

Processor speed indicates the internal clock speed of the microprocessor; other factors also affect application performance.

CD or DVD drive speed is the variable read rate. Actual speeds vary and are often less than the possible maximum.

When referring to processor storage, real and virtual storage, or channel volume, KB stands for 1024 bytes, MB stands for 1 048 576 bytes, and GB stands for 1 073 741 824 bytes.

When referring to hard disk drive capacity or communications volume, MB stands for 1 000 000 bytes, and GB stands for 1 000 000 000 bytes. Total user-accessible capacity can vary depending on operating environments.

Maximum internal hard disk drive capacities assume the replacement of any standard hard disk drives and population of all hard disk drive bays with the largest currently supported drives that are available from IBM.

Maximum memory might require replacement of the standard memory with an optional memory module.

IBM makes no representation or warranties regarding non-IBM products and services that are ServerProven[®], including but not limited to the implied warranties of merchantability and fitness for a particular purpose. These products are offered and warranted solely by third parties.

IBM makes no representations or warranties with respect to non-IBM products. Support (if any) for the non-IBM products is provided by the third party, not IBM.

Some software might differ from its retail version (if available) and might not include user manuals or all program functionality.

Particulate contamination

Attention: Airborne particulates (including metal flakes or particles) and reactive gases acting alone or in combination with other environmental factors such as humidity or temperature might pose a risk to the server that is described in this document. Risks that are posed by the presence of excessive particulate levels or concentrations of harmful gases include damage that might cause the server to malfunction or cease functioning altogether. This specification sets forth limits for particulates and gases that are intended to avoid such damage. The limits must not be viewed or used as definitive limits, because numerous other factors, such as temperature or moisture content of the air, can influence the impact of particulates or environmental corrosives and gaseous contaminant transfer. In the absence of specific limits that are set forth in this document, you must implement practices that maintain particulate and gas levels that are consistent with the protection of human health and safety. If IBM determines that the levels of particulates or gases in your environment have caused damage to the server, IBM may condition provision of repair or replacement of servers or parts on implementation of appropriate remedial measures to mitigate such environmental contamination. Implementation of such remedial measures is a customer responsibility.

Table 14. Limits for particulates and gases

Contaminant	Limits
Particulate	<ul style="list-style-type: none"> The room air must be continuously filtered with 40% atmospheric dust spot efficiency (MERV 9) according to ASHRAE Standard 52.2¹. Air that enters a data center must be filtered to 99.97% efficiency or greater, using high-efficiency particulate air (HEPA) filters that meet MIL-STD-282. The deliquescent relative humidity of the particulate contamination must be more than 60%². The room must be free of conductive contamination such as zinc whiskers.
Gaseous	<ul style="list-style-type: none"> Copper: Class G1 as per ANSI/ISA 71.04-1985³ Silver: Corrosion rate of less than 300 Å in 30 days

¹ ASHRAE 52.2-2008 - *Method of Testing General Ventilation Air-Cleaning Devices for Removal Efficiency by Particle Size*. Atlanta: American Society of Heating, Refrigerating and Air-Conditioning Engineers, Inc.

² The deliquescent relative humidity of particulate contamination is the relative humidity at which the dust absorbs enough water to become wet and promote ionic conduction.

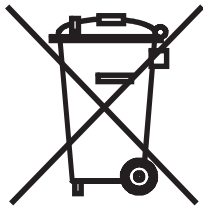
³ ANSI/ISA-71.04-1985. *Environmental conditions for process measurement and control systems: Airborne contaminants*. Instrument Society of America, Research Triangle Park, North Carolina, U.S.A.

Product recycling and disposal

This unit must be recycled or discarded according to applicable local and national regulations. IBM encourages owners of information technology (IT) equipment to responsibly recycle their equipment when it is no longer needed. IBM offers a variety of product return programs and services in several countries to assist equipment owners in recycling their IT products. Information on IBM product

recycling offerings can be found on IBM's Internet sites at <http://www.ibm.com/ibm/recycle/us/index.shtml> and <http://www.ibm.com/ibm/environment/products/index.shtml>.

Esta unidad debe reciclarse o desecharse de acuerdo con lo establecido en la normativa nacional o local aplicable. IBM recomienda a los propietarios de equipos de tecnología de la información (TI) que reciclen responsablemente sus equipos cuando éstos ya no les sean útiles. IBM dispone de una serie de programas y servicios de devolución de productos en varios países, a fin de ayudar a los propietarios de equipos a reciclar sus productos de TI. Se puede encontrar información sobre las ofertas de reciclado de productos de IBM en el sitio web de IBM <http://www.ibm.com/ibm/recycle/us/index.shtml> y <http://www.ibm.com/ibm/environment/products/index.shtml>.



Notice: This mark applies only to countries within the European Union (EU) and Norway.

This appliance is labeled in accordance with European Directive 2002/96/EC concerning waste electrical and electronic equipment (WEEE). The Directive determines the framework for the return and recycling of used appliances as applicable throughout the European Union. This label is applied to various products to indicate that the product is not to be thrown away, but rather reclaimed upon end of life per this Directive.

注意：このマークは EU 諸国およびノルウェーにおいてのみ適用されます。

この機器には、EU 諸国に対する廃電気電子機器指令 2002/96/EC(WEEE) のラベルが貼られています。この指令は、EU 諸国に適用する使用済み機器の回収とリサイクルの骨子を定めています。このラベルは、使用済みになった時に指令に従って適正な処理をする必要があることを知らせるために種々の製品に貼られています。

Remarque : Cette marque s'applique uniquement aux pays de l'Union Européenne et à la Norvège.

L'étiquette du système respecte la Directive européenne 2002/96/EC en matière de Déchets des Equipements Electriques et Electroniques (DEEE), qui détermine les dispositions de retour et de recyclage applicables aux systèmes utilisés à travers l'Union européenne. Conformément à la directive, ladite étiquette précise que le produit sur lequel elle est apposée ne doit pas être jeté mais être récupéré en fin de vie.

In accordance with the European WEEE Directive, electrical and electronic equipment (EEE) is to be collected separately and to be reused, recycled, or recovered at end of life. Users of EEE with the WEEE marking per Annex IV of the WEEE Directive, as shown above, must not dispose of end of life EEE as unsorted municipal waste, but use the collection framework available to customers for the return, recycling, and recovery of WEEE. Customer participation is important to minimize any potential effects of EEE on the environment and human health due to

the potential presence of hazardous substances in EEE. For proper collection and treatment, contact your local IBM representative.

Battery return program

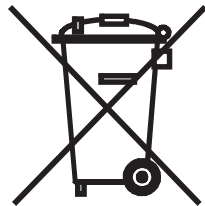
This product may contain a sealed lead acid, nickel cadmium, nickel metal hydride, lithium, or lithium ion battery. Consult your user manual or service manual for specific battery information. The battery must be recycled or disposed of properly. Recycling facilities may not be available in your area. For information on disposal of batteries outside the United States, go to <http://www.ibm.com/ibm/environment/products/index.shtml> or contact your local waste disposal facility.

In the United States, IBM has established a return process for reuse, recycling, or proper disposal of used IBM sealed lead acid, nickel cadmium, nickel metal hydride, and battery packs from IBM equipment. For information on proper disposal of these batteries, contact IBM at 1-800-426-4333. Have the IBM part number listed on the battery available prior to your call.

For Taiwan: Please recycle batteries.



For the European Union:



Notice: This mark applies only to countries within the European Union (EU).

Batteries or packaging for batteries are labeled in accordance with European Directive 2006/66/EC concerning batteries and accumulators and waste batteries and accumulators. The Directive determines the framework for the return and recycling of used batteries and accumulators as applicable throughout the European Union. This label is applied to various batteries to indicate that the battery is not to be thrown away, but rather reclaimed upon end of life per this Directive.

Les batteries ou emballages pour batteries sont étiquetés conformément aux directives européennes 2006/66/EC, norme relative aux batteries et accumulateurs en usage et aux batteries et accumulateurs usés. Les directives déterminent la marche à suivre en vigueur dans l'Union Européenne pour le retour et le recyclage des batteries et accumulateurs usés. Cette étiquette est appliquée sur diverses batteries pour indiquer que la batterie ne doit pas être mise au rebut mais plutôt récupérée en fin de cycle de vie selon cette norme.

バッテリーあるいはバッテリー用のパッケージには、EU 諸国に対する廃電気電子機器指令 2006/66/EC のラベルが貼られています。この指令は、バッテリーと蓄電池、および廃棄バッテリーと蓄電池に関するものです。この指令は、使用済みバッテリーと蓄電池の回収とリサイクルの骨子を定めているもので、EU 諸国にわたって適用されます。このラベルは、使用済みになったときに指令に従って適正な処理をする必要があることを知らせるために種々のバッテリーに貼られています。

In accordance with the European Directive 2006/66/EC, batteries and accumulators are labeled to indicate that they are to be collected separately and recycled at end of life. The label on the battery may also include a chemical symbol for the metal concerned in the battery (Pb for lead, Hg for mercury, and Cd for cadmium). Users of batteries and accumulators must not dispose of batteries and accumulators as unsorted municipal waste, but use the collection framework available to customers for the return, recycling, and treatment of batteries and accumulators. Customer participation is important to minimize any potential effects of batteries and accumulators on the environment and human health due to the potential presence of hazardous substances. For proper collection and treatment, contact your local IBM representative.

This notice is provided in accordance with Royal Decree 106/2008 of Spain: The retail price of batteries, accumulators, and power cells includes the cost of the environmental management of their waste.

For California:

Perchlorate material – special handling may apply. See <http://www.dtsc.ca.gov/hazardouswaste/perchlorate/>.

The foregoing notice is provided in accordance with California Code of Regulations Title 22, Division 4.5 Chapter 33. Best Management Practices for Perchlorate Materials. This product/part may include a lithium manganese dioxide battery which contains a perchlorate substance.

Documentation format

The publications for this product are in Adobe Portable Document Format (PDF) and should be compliant with accessibility standards. If you experience difficulties when you use the PDF files and want to request a Web-based format or accessible PDF document for a publication, direct your mail to the following address:

*Information Development
IBM Corporation
205/A015
3039 E. Cornwallis Road
P.O. Box 12195
Research Triangle Park, North Carolina 27709-2195
U.S.A.*

In the request, be sure to include the publication part number and title.

When you send information to IBM, you grant IBM a nonexclusive right to use or distribute the information in any way it believes appropriate without incurring any obligation to you.

Electronic emission notices

Federal Communications Commission (FCC) statement

Note: This equipment has been tested and found to comply with the limits for a Class A digital device, pursuant to Part 15 of the FCC Rules. These limits are designed to provide reasonable protection against harmful interference when the equipment is operated in a commercial environment. This equipment generates, uses, and can radiate radio frequency energy and, if not installed and used in accordance with the instruction manual, may cause harmful interference to radio communications. Operation of this equipment in a residential area is likely to cause harmful interference, in which case the user will be required to correct the interference at his own expense.

Properly shielded and grounded cables and connectors must be used in order to meet FCC emission limits. IBM is not responsible for any radio or television interference caused by using other than recommended cables and connectors or by unauthorized changes or modifications to this equipment. Unauthorized changes or modifications could void the user's authority to operate the equipment.

This device complies with Part 15 of the FCC Rules. Operation is subject to the following two conditions: (1) this device may not cause harmful interference, and (2) this device must accept any interference received, including interference that may cause undesired operation.

Industry Canada Class A emission compliance statement

This Class A digital apparatus complies with Canadian ICES-003.

Avis de conformité à la réglementation d'Industrie Canada

Cet appareil numérique de la classe A est conforme à la norme NMB-003 du Canada.

Australia and New Zealand Class A statement

Attention: This is a Class A product. In a domestic environment this product may cause radio interference in which case the user may be required to take adequate measures.

United Kingdom telecommunications safety requirement

Notice to Customers

This apparatus is approved under approval number NS/G/1234/J/100003 for indirect connection to public telecommunication systems in the United Kingdom.

European Union EMC Directive conformance statement

This product is in conformity with the protection requirements of EU Council Directive 2004/108/EC on the approximation of the laws of the Member States relating to electromagnetic compatibility. IBM cannot accept responsibility for any failure to satisfy the protection requirements resulting from a nonrecommended modification of the product, including the fitting of non-IBM option cards.

This product has been tested and found to comply with the limits for Class A Information Technology Equipment according to CISPR 22/European Standard EN

55022. The limits for Class A equipment were derived for commercial and industrial environments to provide reasonable protection against interference with licensed communication equipment.

Attention: This is a Class A product. In a domestic environment this product may cause radio interference in which case the user may be required to take adequate measures.

European Community contact:
IBM Technical Regulations
Pascalstr. 100, Stuttgart, Germany 70569
Telephone: 0049 (0)711 785 1176
Fax: 0049 (0)711 785 1283
E-mail: tjahn@de.ibm.com

Taiwanese Class A warning statement

警告使用者：
這是甲類的資訊產品，在
居住的環境中使用時，可
能會造成射頻干擾，在這
種情況下，使用者會被要
求採取某些適當的對策。

Germany Electromagnetic Compatibility Directive

Deutschsprachiger EU Hinweis:

Hinweis für Geräte der Klasse A EU-Richtlinie zur Elektromagnetischen Verträglichkeit

Dieses Produkt entspricht den Schutzanforderungen der EU-Richtlinie 2004/108/EG zur Angleichung der Rechtsvorschriften über die elektromagnetische Verträglichkeit in den EU-Mitgliedsstaaten und hält die Grenzwerte der EN 55022 Klasse A ein.

Um dieses sicherzustellen, sind die Geräte wie in den Handbüchern beschrieben zu installieren und zu betreiben. Des Weiteren dürfen auch nur von der IBM empfohlene Kabel angeschlossen werden. IBM übernimmt keine Verantwortung für die Einhaltung der Schutzanforderungen, wenn das Produkt ohne Zustimmung der IBM verändert bzw. wenn Erweiterungskomponenten von Fremdherstellern ohne Empfehlung der IBM gesteckt/eingebaut werden.

EN 55022 Klasse A Geräte müssen mit folgendem Warnhinweis versehen werden:
"Warnung: Dieses ist eine Einrichtung der Klasse A. Diese Einrichtung kann im Wohnbereich Funk-Störungen verursachen; in diesem Fall kann vom Betreiber verlangt werden, angemessene Maßnahmen zu ergreifen und dafür aufzukommen."

Deutschland: Einhaltung des Gesetzes über die elektromagnetische Verträglichkeit von Geräten

Dieses Produkt entspricht dem "Gesetz über die elektromagnetische Verträglichkeit von Geräten (EMVG)". Dies ist die Umsetzung der EU-Richtlinie 2004/108/EG in der Bundesrepublik Deutschland.

Zulassungsbescheinigung laut dem Deutschen Gesetz über die elektromagnetische Verträglichkeit von Geräten (EMVG) (bzw. der EMC EG Richtlinie 2004/108/EG) für Geräte der Klasse A

Dieses Gerät ist berechtigt, in Übereinstimmung mit dem Deutschen EMVG das EG-Konformitätszeichen - CE - zu führen. Verantwortlich für die Konformitätserklärung des EMVG ist die IBM Deutschland GmbH, 70548 Stuttgart.

Generelle Informationen:

Das Gerät erfüllt die Schutzanforderungen nach EN 55024 und EN 55022 Klasse A.

People's Republic of China Class A warning statement

声 明

此为 A 级产品。在生活环境中，该产品可能会造成无线电干扰。在这种情况下，可能需要用户对其干扰采取切实可行的措施。

Japanese Voluntary Control Council for Interference (VCCI) statement

この装置は、クラス A 情報技術装置です。この装置を家庭環境で使用すると電波妨害を引き起こすことがあります。この場合には使用者が適切な対策を講ずるよう要求されることがあります。 VCCI-A

Korean Class A warning statement

이 기기는 업무용으로 전자파 적합등록을 받은 기기 이오니, 판매자 또는 사용자는 이점을 주의하시기 바라며, 만약 잘못 구입하셨을 때에는 구입한 곳에서 비업무용으로 교환하시기 바랍니다.

Index

Numerics

4 Pac HDD option, installing 63

A

ac power LED 18
accessible documentation 138
acoustical noise emissions 7
Active Energy Manager 9
Active Memory 10
adapter
 installing 51
 PCI bus, identification 51
 removing 54
 requirements 51
 ServeRAID SAS
 installing 94
 removing 93
 slot types 51
adapter bracket (full-length)
 installing 50
 storing 50
administrator password 115
Advanced Settings Utility (ASU) program,
 overview 128
air baffle
 DIMM
 installing 49
 removing 48
 microprocessor 2
 installing 47
 removing 46
assistance, getting 131
attention notices 6

B

battery
 connector 24
 installing remote 96
battery return program 137
blue-screen capture feature, overview 124
boot precedence, default 52
boot selection menu program, using 119

C

cable connectors 24
cabling
 external routing 108
 internal routing 39
 system-board external connectors 25
 system-board internal connectors 24
caution statements 6
CD-RW/DVD drive
 installing 105
CD/DVD drive activity LED 14

CD/DVD-eject button 14
Class A electronic emission notice 139
components, server 23
configuration
 updating server 109, 111
 with ServerGuide 120
configuration programs
 LSI Configuration Utility 112
connectors
 battery 24
 cable 24
 DIMMs 24
 external cable routing 108
 external port 25
 fans 24
 front 108
 hard disk drive 34
 internal 24
 internal cable routing 39
 memory 24
 microprocessor 24
 PCI 24
 PCI riser-card adapter 35
 port 25
 rear 108
 SAS riser card 34
 system board 24
 tape drive 34
contamination, particulate and gaseous 7, 135
controller, configuring Ethernet 125
controls and LEDs
 front view 14
 on light path diagnostics panel 15
 operator information panel 15
 rear view 17
cooling 8
cover
 removing 43
 replacing 107
creating, RAID array 127

D

danger statements 6
device drivers 13
diagnostics panel, controls and LEDs 15
diagnostics program, DSA preboot 9
DIMM air baffle
 installing 49
 removing 48
DIMMs
 installation sequence for memory mirroring 85
 installing 85
 order of installation 83
 types supported 81
documentation CD 3
documentation format 138
documentation, related 4

- drive, hot-swap
 - installing 56
 - removing 58
- drive, installing simple-swap 59
- drive, installing tape 60
- Dynamic System Analysis (DSA) Preboot diagnostics program 9

E

- electrical input 8
- electronic emission Class A notice 139
- electrostatic-discharge wrist strap, using 38
- embedded hypervisor, using 123
- enclosure manager heartbeat LED 32
- environment 7
- Ethernet
 - systems-management connector 17
- Ethernet activity LED 15, 17
- Ethernet adapter, installing 105
- Ethernet connector 17
- Ethernet controller, configuring 125
- Ethernet icon LED 15
- Ethernet-link LED 17
- Ethernet-link status LED 15
- external cable routing 108

F

- fan
 - installing 90
 - removing 89
 - requirements 90
- FCC Class A notice 139
- features 6
 - and specifications 6
 - IMM 121
 - RAS 11
 - remote presence 123
 - ServerGuide 120
- filler panel
 - 4-drive 63
 - hard-disk drive bay 57
- firmware updates 2, 119
- firmware, UEFI-compliant 8
- formatting a hard disk drive 127

G

- gaseous contamination 7, 135
- getting help 131
- gigabit Ethernet controller, configuring 125
- grease, thermal 80

H

- hard disk drive
 - formatting 127
 - installing 56, 58
 - removing 58, 60

- hardware service and support 132
- heat output 7
- help, getting 131
- hot-swap
 - drive
 - installing 56
 - removing 58
 - fan
 - installing 90
 - removing 89
 - installing power supply 87
- humidity 7
- hypervisor memory key
 - installing 103
 - removing 104
 - using 123

I

- IBM Advanced Settings Utility program, overview 128
- IBM Director
 - See IBM Systems Director
- IBM Support Line 132
- IBM Systems Director
 - overview 12
 - server feature 9
 - updating 128
- IBM Virtual Media Key, installing 55
- IBM X-Architecture technology 10
- IMM
 - overview 8
 - using 121
- IMM heartbeat LED 32
- important notices 6
- information LED 15
- installation guidelines 36
- installing
 - air baffle (DIMM) 49
 - air baffle (microprocessor 2) 46, 47
 - CD-RW/DVD drive 105
 - DIMM 85
 - Ethernet adapter 105
 - full-length adapter bracket 50
 - hard disk drive 56
 - IBM Virtual Media Key 55
 - memory module 85
 - microprocessor 76
 - microprocessor 2 air baffle 46, 47
 - PCI adapter 51
 - power supply 87
 - RAID controller 94
 - SAS controller 94
 - SAS riser-card and controller assembly 92
 - SAS/SATA 4 Pac HDD option 63
 - simple-swap drive 59
 - simple-swap hard disk drive 58
 - tape drive 60
 - USB hypervisor memory key 103
- integrated management module, about 8
- internal cable routing 39
- IP address, obtaining for Web interface 124

J

- jumpers, description
 - for Pass 8 level system board 26
 - for Pass 9 level system board 29

L

- LEDs
 - ac power 18
 - enclosure manager heartbeat 32
 - Ethernet activity 15, 17
 - Ethernet icon 15
 - Ethernet link 17
 - Ethernet-link status 15
 - IMM heartbeat 32
 - information 15
 - locator 15, 18
 - power-on 15, 18
 - power-supply 19
 - power-supply detected problems 19
 - riser-card assembly 35
 - system board 32
 - system error 15
 - system pulse 32
 - system-error 18
- LEDs and controls
 - front view 14
 - on light path diagnostics panel 15
 - operator information panel 15
 - rear view 17
- light path diagnostics panel
 - accessing 15
- locator LED 15, 18
- LSI Configuration Utility
 - overview 126
 - starting 127

M

- management module, integrated 8
- management, systems 8
- memory 10
- memory mirroring
 - description 83
 - DIMM population sequence 85
- memory module
 - installing 85
 - specifications 7
- menu choices in Setup utility 113
- microprocessor
 - heat sink 79
 - installing 76
 - specifications 7
- microprocessor 2 air baffle
 - installing 47
 - removing 46
- mirroring mode 83

N

- NMI button 16
- notes 6
- notes, important 134
- notices 133
 - electronic emission 139
 - FCC, Class A 139
- notices and statements 6

O

- obtaining IP address for Web interface 124
- online documentation 2, 5
- operating system installation
 - with ServerGuide 121
 - without ServerGuide 121
- operator information panel 14

P

- particulate contamination 7, 135
- Pass 8 level system board
 - power-on password switch 117
 - switches and jumpers 26
- Pass 9 level system board
 - power-on password switch 118
 - switches and jumpers 28
- password
 - administrator 119
 - power-on 116
- password, power-on
 - switch on Pass 8 level system board 117
 - switch on pass 9 level system board 118
- PCI
 - expansion slots 7
- PCI adapter
 - installing 51
 - removing 54
- PCI riser-card assembly
 - installing 45
 - removing 44, 45
- port connectors 25
- power supply
 - installing 87
 - operating requirements 87
 - specifications 8
- power-control button 15
- power-cord connector 17
- power-on LED
 - front 15
 - rear 18
- power-on password
 - setting 115
- power-on password override switch 31
- power-supply LEDs 19
- power-supply LEDs and detected problems 19
- product recycling and disposal 136
- publications 4

R

- RAID array, creating 127
- RAID controller
 - installing 94
 - removing 93
- RAS features 11
- recycling and disposal, product 136
- remind button 16
- remote battery, installing 96
- remote presence feature
 - enabling 124
 - functions 8
 - using 123
- removing
 - cover 43
 - DIMM air baffle 48
 - hard disk drive 58, 60
 - PCI adapter 54
 - RAID controller 93
 - SAS controller 93
 - SAS riser-card and controller assembly 91
 - USB hypervisor memory key 104
- replacing
 - simple-swap hard disk drive 58
- replacing cover 107
- reset button 16
- retention bracket (tape-enabled SAS riser card), moving 101
- riser-card assembly
 - installing 45
 - LEDs 35
 - location 55
 - removing 44, 45

S

- SAS connector, internal 24
- SAS controller
 - installing 94
 - moving retention bracket (tape-enabled SAS riser card) 101
 - removing 93
- SAS controller battery, installing remote 96
- SAS riser-card and controller assembly
 - installing 92
 - removing 91
- SAS/SATA 4 Pac HDD option, installing 63
- serial connector 17
- server configuration, updating 109, 111
- server firmware, starting backup 119
- server firmware, UEFI-compliant 8
- server power and IMM 20
- ServerRAID support 11
- ServerGuide
 - downloading CD 10
 - features 120
 - using 119
 - using to install operating system 121
- setup and configuration with ServerGuide 120

- Setup utility
 - menu choices 113
 - starting 112
 - using 112
- simple-swap
 - hard disk drive 60
- size 7
- software service and support 132
- specifications 6
- starting
 - backup server firmware 119
 - LSI Configuration Utility 127
 - Setup utility 112
- statements and notices 6
- static-sensitive devices, handling 38
- storing full-length adapter bracket 50
- support, web site 131
- SW3 switch block description
 - for Pass 8 level system board 27
- switch
 - functions 30
 - power-on password override 31
 - system board location 26
- switch block
 - Pass 8 level system board 27
 - Pass 9 level system board 30
- switches and jumpers
 - on Pass 8 level system board 26
 - on Pass 9 level system board 28
- system board
 - connectors 24
 - external port 25
 - internal 24
 - LEDs 32
 - switch block 26
- system board, Pass 8
 - power-on password switch 117
 - switches and jumpers 26
- system board, Pass 9
 - power-on password switch 118
 - switches and jumpers 28
- system pulse LEDs 32
- system reliability guidelines 37
- system-error LED
 - front 15
 - rear 18
- system-locator LED 15, 18
- Systems Director, updating 128
- systems management 8, 11, 12

T

- tape drive, installing 60
- telephone numbers 132
- temperature 7
- thermal grease 80
- trademarks 133
- turning off the server 21
- turning on the server 20

U

United States electronic emission Class A notice 139

United States FCC Class A notice 139

UpdateXpress 13

updating

IBM Systems Director 128

server configuration 109, 111

USB connector 14, 17

USB hypervisor memory key

installing 103

removing 104

using 123

using

boot selection menu program 119

embedded hypervisor 123

LSI Configuration Utility 126

remote presence feature 123

ServerGuide 119

Setup utility 112

V

video connector

front 14

rear 17

virtual media key, installing 55

W

Web interface

logging on to 125

obtaining IP address 124

web site

publication ordering 131

ServerGuide 119

support 131

support line, telephone numbers 132

weight 7



Part Number: 69Y3926

Printed in USA

(1P) P/N: 69Y3926

