



Bluetooth® Loudspeaker

LIMITATION OF LIABILITY

DEDICATED SOUND AND AUDIO AND ITS AFFILIATES DO NOT MAKE ANY GUARANTEES, EXPRESSED OR IMPLIED, INCLUDING MERCHANT ABILITY AND FITNESS FOR PURPOSE, WITH RESPECT TO ANY OF THESE SUGGESTIONS OR INSTRUCTIONS. DEDICATED SOUND AND AUDIO SHALL NOT BE LIABLE FOR ANY SPECIAL, INDIRECT, INCIDENTAL OR CONSEQUENTIAL DAMAGES, INCLUDING BUT NOT LIMITED TO LOSS OF PROFITS, LOSS OF USE, COST OF REPLACEMENT, BREACH OF CONTRACT, INJURY, OR ANY OTHER CAUSE WHATSOEVER EVEN IF DEDICATED SOUND AND AUDIO HAS BEEN ADVISED OF THE POSSIBILITY OF SUCH DAMAGES.

IMPORTANT SAFETY INSTRUCTIONS

General Instructions



- Read these instructions before using or installing this product.
- Keep these instructions for future reference.
- Heed all warnings in this guide.
- Follow all instructions.
- Install and operate in accordance to this document's instructions only.

Fire and Electric Shock Hazard



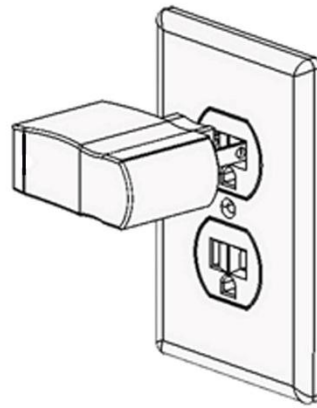
- DO NOT open, dismantle, disassemble or modify your *Bluetooth* Sound Art loudspeaker.
- DO NOT block any ventilation openings.
- DO NOT expose to excessive cold, heat, humidity or direct sunlight.
- DO NOT push objects into holes or any openings.
- ONLY use wall charger supplied.
- Turn off power in areas you'll be drilling when installing unit to avoid electric shock.

Safety Tips When Working on a Ladder



- Place ladder in a stable position close to where you will be working. Don't reach.
- Face ladder and always have two hands on the ladder when ascending or descending.
- Don't carry items up the ladder that could cause you to lose your balance and fall. Have someone hand you items once in a stable position.

CHARGING



5V x 1200mA
Battery Charger

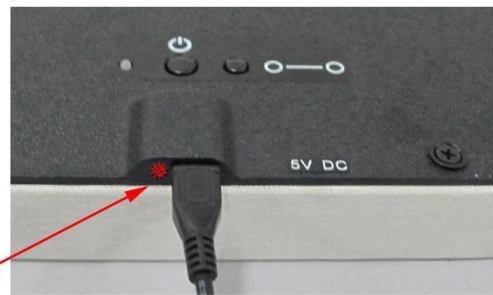
Charging:
LED is solid **RED** color



Full Charged:
LED is solid **GREEN** color



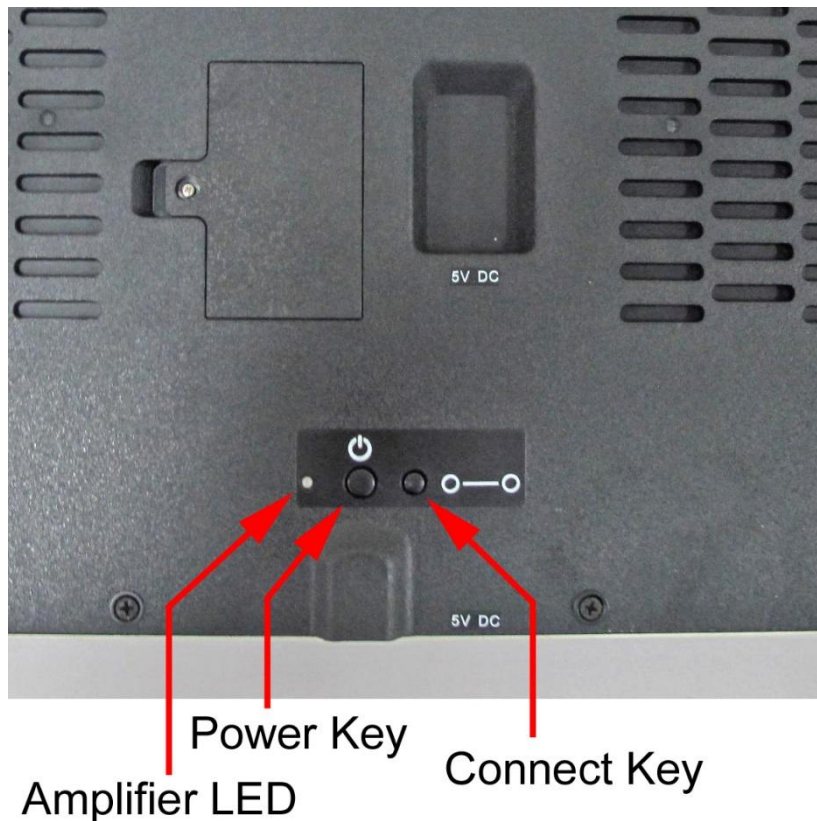
Low Battery condition: LED is blinking **RED** color



LED indicator for Low Battery and charging status
LED blinks **RED** color when battery is low

Connect wall charger to speaker circuit using USB cable. Speaker LED will light RED color when charging and will indicate GREEN color when fully charged. Disconnect wall charger cable when fully charged.

OPERATION



1/ Turn on each OSA1620ST amplifier by pressing POWER key for approximately one second. Amplifier LED's will light on both amplifiers.

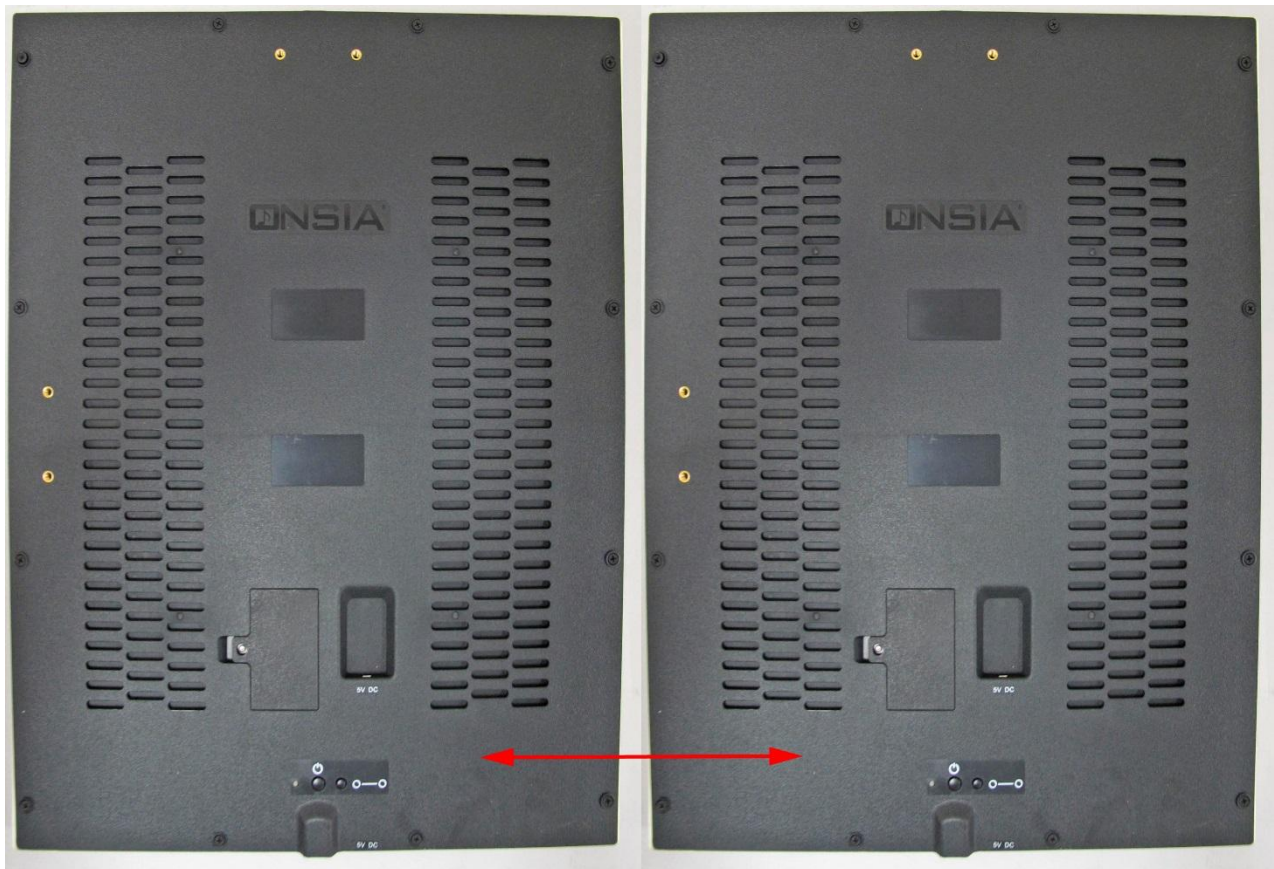
2/ Press and hold the CONNECT key for approximately three seconds on one OSA1620ST amplifier. Its LED will blink. Repeat this process for second amplifier.

3/ The two amplifiers will connect to each other via Bluetooth , and both amplifiers' LED's will stop blinking.

4/ Turn ON the Bluetooth function for your Bluetooth enabled phone or other device. You will NOT discover the OSA1620ST amplifier in the list of discoverable devices.

5/ Press the OSA1620ST amplifier POWER key for approximately one second on the amplifier/speaker you prefer connect to first. This OSA1620ST amplifier's LED will begin blinking.

6/ You can now discover OSA1620ST ID on your Bluetooth enabled phone or device. Select OSA1620ST from devices list for pairing and connecting. The OSA1620ST LED will stop blinking. You can now play in stereo mode to both speakers connected to the OSA1620ST amplifiers



Turning OFF:

Press POWER key on one of the OSA1620ST amplifiers for approximately three seconds. Both OSA1620ST amplifiers will turn OFF at same time.

Turning ON:

Each OSA1620ST amplifier must be powered ON , separately, as per above instruction #1

TROUBLESHOOTING

If your *Bluetooth* Sound Art loudspeaker appears to have a problem, the following notes may help. If the problem still persists after having attempted to resolve it, consult your dealer for assistance or contact ONSIA technical support through www.onsia.com or by calling the number under the Warranty Information section.

Symptom	Possible Cause
No sound at all	<ul style="list-style-type: none"> -Check loudspeaker is powered ON. -Check volume and mute settings on music source device. -Check if device is paired. -Reset loudspeaker. Press power key three seconds to power "OFF" Press Power key one second to turn "ON"
Unable to pair device	<ul style="list-style-type: none"> -Check loudspeaker is powered ON. -Make sure loudspeaker is not paired to another device. -Place music source device in direct line of sight and within 20 feet. Objects, walls, and moving persons may reduce wireless operating range. Reset loudspeaker. Press power key three seconds to power "OFF" Press Power key one second to turn "ON"
Music breaks, device disconnects	<ul style="list-style-type: none"> -Place music source device in direct line of sight and within 20 feet. Objects, walls, and moving persons may reduce wireless operating range. -If using a streaming music service, try playing music stored in music source device instead.
Distortion at high volume levels	<ul style="list-style-type: none"> -Check the recording quality of the music material. -Check if power adapter has good connection.

SPECIFICATIONS

Audio Output Power: 3.2 watts RMS @ 8Ω

THD (@1kHz): 1% @ 2.4.W RMS, 10% @ 3.2W RMS

Frequency Range: 20 Hz to 20kHz

Bluetooth Version: 4.2

Maximum Wireless Range: 33 feet under ideal conditions (direct line of sight)

Power adapter:5V DC, 1.2A

WARRANTY INFORMATION

Dedicated Sound and Audio warrants its ONSIA *Bluetooth* Sound Art speaker products to be free from defects in material and workmanship for one year from the date of purchase. This product contains no user serviceable parts. *DO NOT attempt to open, dismantle, disassemble or modify the unit; doing so will void its warranty.* Except where prohibited by applicable law, this warranty is nontransferable and is limited to the original purchaser. This warranty gives you specific legal rights and you may also have other rights that vary under local laws.

In the event of a defect, Dedicated Sound and Audio will, at its option, repair or replace the product with no charge to the purchaser for parts or labor. The repaired or replaced product will be warranted for 90 days from the date of return shipment, or for the balance of the original warranty, whichever is longer.

To obtain warranty service, the purchaser must call ONSIA at 1 (800) 279-7686. To obtain a return authorization, the purchaser must provide a copy of the original sales receipt. The purchaser must return the product postpaid with the purchaser's return address and the return authorization information clearly printed on the outside of the package to the Authorized ONSIA Service Center provided. Dedicated Sound and Audio will not be responsible for any losses or damage to the product incurred while the product is in transit or is being shipped for repair. Insurance is highly recommended.

www.onsia.com

©2017 Dedicated Sound and Audio, Inc. All rights reserved. The ONSIA™ logo, *Art Never Sounded So Good™*, *Sound Art™*, and *Your Wall. Your Sound. Your Art.™* are trademarks owned by Dedicated Sound and Audio, Inc. The *Bluetooth®* word mark and logos are registered trademarks owned by Bluetooth SIG, Inc. and any use of such marks by Dedicated Sound and Audio, Inc. is under license.

FCC Warning:

This equipment has been tested and found to comply with the limits for a Class B digital device, pursuant

to part 15 of the FCC Rules. These limits are designed to provide reasonable protection against harmful interference in a residential installation. This equipment generates, uses and can radiate radio frequency energy and, if not installed and used in accordance with the instructions, may cause harmful interference to radio communications. However, there is no guarantee that interference will not occur in a particular installation. If this equipment does cause harmful interference to radio or television reception, which can be determined by turning the equipment off and on, the user is encouraged to try to correct the interference by one or more of the following measures:

- Reorient or relocate the receiving antenna.
- Increase the separation between the equipment and receiver.
- Connect the equipment into an outlet on a circuit different from that to which the receiver is connected.
- Consult the dealer or an experienced radio/TV technician for help.

Caution: Any changes or modifications to this device not explicitly approved by manufacturer could void your authority to operate this equipment.

This device complies with part 15 of the FCC Rules. Operation is subject to the following two conditions:

(1) This device may not cause harmful interference, and (2) this device must accept any interference received, including interference that may cause undesired operation.

This equipment complies with FCC radiation exposure limits set forth for an uncontrolled environment. This equipment should be installed and operated with minimum distance 20cm between the radiator and your body.

This transmitter must not be co-located or operating in conjunction with any other antenna or transmitter.