

User Manual

Introduction

Getting Started

Opening and Charging

Installing the Application

Connecting

Fishfinding

Sonar operational principles

Login

Main Screen

Smart Imaging : Detailed mode

Boat Mode

Ice Fishing Mode (Sonar + Flasher)

Menu

Calendar

Camera

Weather

Notes

Map

History

Settings

Compatibility

Drawings

Maintenance

Specification

Troubleshooting

Contact Us

Guarantee

Legal Information

Introduction

We thank you for purchasing Deeper and hope that you will enjoy using it as much as we have enjoyed creating it!

Please take your time to read this instruction manual which provides essential information on the usage of both the gadget and the application. We have also included various hints and tips that will help you get most out of your Deeper experience. Along the text you will find icons designed to draw your attention to different bits of information:



This icon marks useful hints about the usage of Deeper.



This icon marks safety precautions or information of similar importance.

[Back to TOP](#)

Getting Started

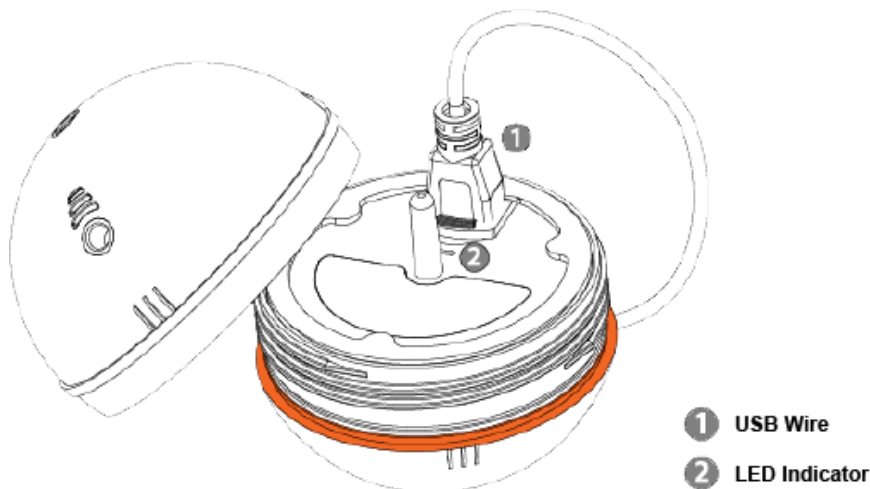
Before using the device, ensure you have read all the of safety information provided in the separate leaflet. This section provides you with quick step by step instructions from the moment you unpack your Deeper to your first fish finding. Follow the diagrams along with the comments to start using the gadget.

i Deeper, UAB is continuously developing this product, therefore illustrations in this manual may not look the same as your product but your unit will function in the same way. Please refer to the electronic manual provided with each mobile application update.

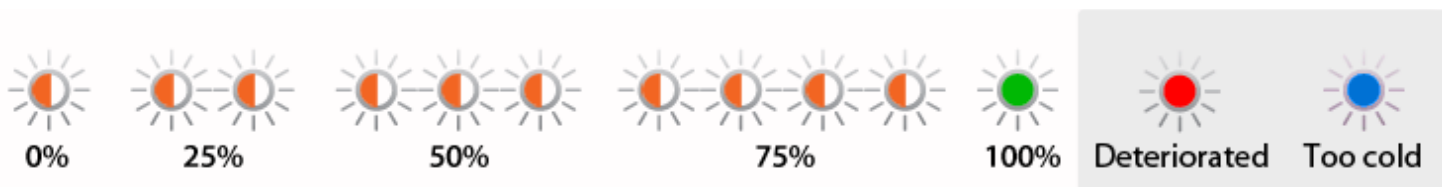
[Back to TOP](#)

Opening and Charging

1. Ensure your Deeper gadget is dry before opening it.
2. Open the gadget by screwing its top cover counterclockwise.
3. Connect the gadget with provided USB cable (or any other compatible charger).
4. Plug the charger to the mains (PC USB outlet or your car's power outlet).
5. Blinking frequency of the orange indicator represents the charging state. Higher number of blinks refers to higher charge level. Charging is complete whenever the indicator goes green. If the indicator glows red, your Deeper needs servicing. Please Refer to 'Guarantee' for further details.



The lithium-ion battery cannot be charged at a temperature below 3°C (37.4°F). If the indicator glows blue, it is too cold to charge the Deeper.



i Deeper is supplied with an uncharged battery. To ensure full capacity of the battery, charge it fully before using Deeper for the first time. Expected charging time is 2 hours. The lithium ion battery can be charged at any time without reducing its service life. Interrupting the charging procedures does not damage the battery. Disconnect the battery charger from the mains supply when not using it for long periods.

i When Deeper is fully charged the expected operational time is*:

Without GPS

Frequency 290 kHz – 6 hours

Frequency 90 kHz – 5 hours 30 minutes

With GPS

Frequency 290 kHz – 5 hours 30 minutes

Frequency 90 kHz – 4 hours 30 minutes

*Deeper was tested in 6 m (19,69 ft) depth, 20°C (68°F) temperature

x In order to increase the battery life of your Deeper, do not leave it uncharged for long periods of time. Even if you do not use your Deeper, recharge it every 6 months.

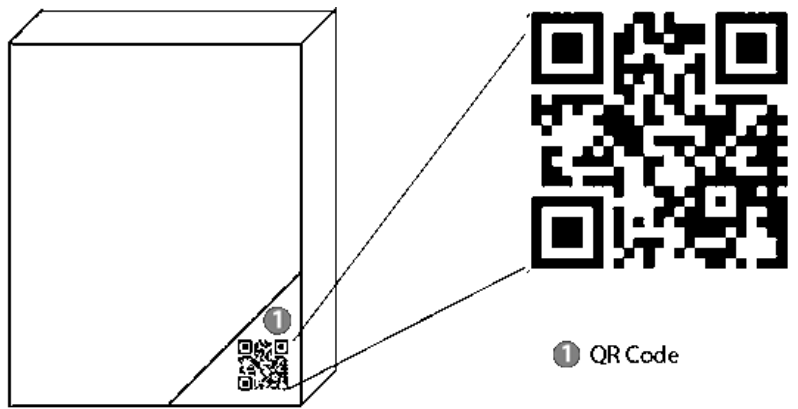
x Lithium Ion batteries like the one used in the Deeper can be dangerous if handled inappropriately. Make sure you follow the charging and battery safety rules provided in the separate leaflet.

x Do not charge Deeper while in the water. Protect dual USB car charger, the micro USB cable and the charging micro USB port against moisture.

[Back to TOP](#)

Installing the Application

1. Scan the QR code, located on the retail package or go to Google Play or App Store online shops and search for the Deeper application.
2. Install the application just like any other by following onscreen instructions.



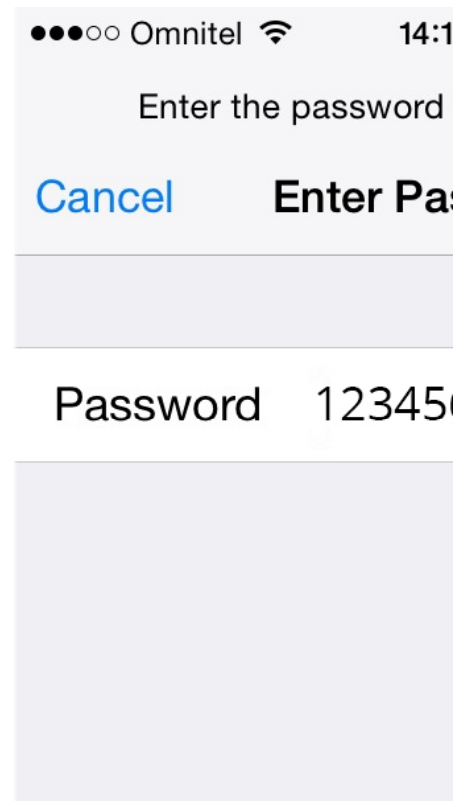
i If you are not at the fishing spot yet but you can't wait to try out the features of your Deeper application, just launch it and press "Start". This will allow you to access most of the app's features, also providing a demonstration of how the application displays sonar information when your Deeper is being reeled in at a fishing spot ("Run simulation").

i Refer to §4.11 for a list of compatible devices. [Compatibility](#).

[Back to TOP](#)

Connecting

1. Ensure your Deeper is either charging or immersed in the water and so is automatically powered on.
2. Keep in mind that connectivity process slightly differs for iOS and Android gadgets.
3. On Android you only have to launch the application and you're all set to use it. Deeper and your smartphone or tablet will connect automatically. In some cases, you may need manually connect your device, if you need to do that, please follow the instructions outlined in step number 5.
4. You will receive notifications if there will be two or more Deepers around you.
5. To connect Deeper to iOS device, you have to put Deeper in the water and head to smartphone or tablet settings. There you have to open WiFi settings and find access point which would look like this - Deeper-XXXX (symbols or digits). Once you do you will have to press Connect and enter a password: 12345678. Press join and go to Deeper app. Now you are able to start fish finding.



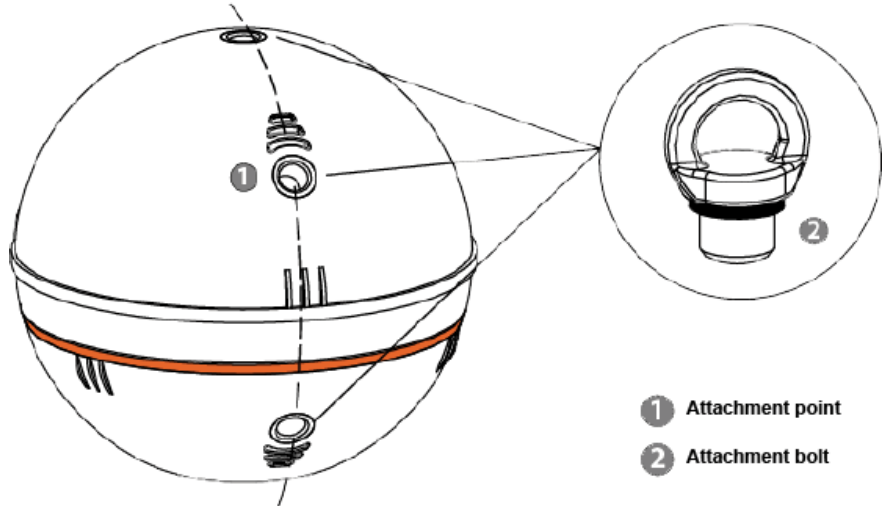
i Every time while establishing the connection to Deeper, make sure the distance to the gadget does not exceed 10 meters / ~36 feet. Once you're connected, you can cast further.



i If you are at your fishing spot, attach Deeper to a fishing line before immersing it into water as instructed in the following section - Fishfinding.

[Back to TOP](#)

Fishfinding

1. Before you start fishing, make sure that the top cover is screwed on tight. To do so, put it on the Deeper case by aligning the waterproof marks, screwing counterclockwise till it dips in and then screwing clockwise. Close it tightly and keep in mind - the water marks should align perfectly as depicted in the picture.
2. Screw an attachment bolt into a suitable attachment point. When you fish from the dock, screw it into the middle hole, and use the bottom one if you're fishing from the shore. When using the wrong bolts, Deeper bends in a diagonal position, therefore causing connectivity issues.
3. Securely attach the fishing line to the inserted attachment bolt.
4. Cast connected gadget to the desired spot.
5. Launch the application and start fish finding.
6. Either reel in your gadget for an overview or keep it stationary for fish monitoring.

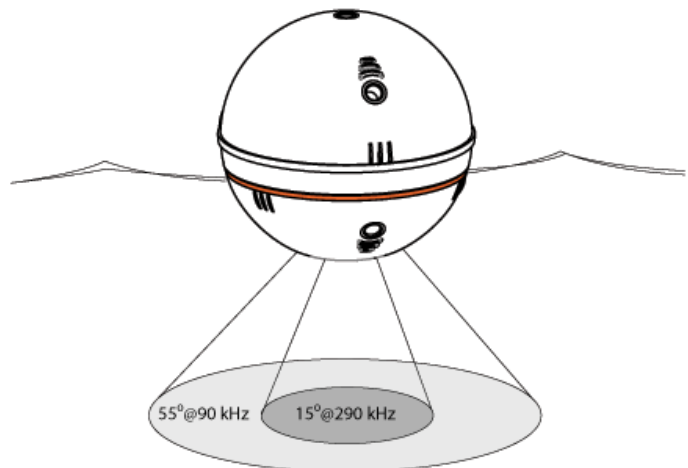




-  Attach your gadget to a sufficiently strong fishing line and use a properly tightened knot. Also ensure that your fishing pole withstands the weight of Deeper. Otherwise you are at risk of losing the device, damaging the equipment, someone's property or even causing an injury.
-  When reeling the device, ensure it glides smoothly on top of the water with its heavy side facing towards the bottom as this will result in the most accurate sonar view.

[Back to TOP](#)

Sonar operational principles

Deeper can be operated at two different frequencies (Dual Beam). Precise narrow beam ($15^\circ@290\text{kHz}$) is used for high accuracy returns of fish, structure, detail and bottom profile. Wide beam ($55^\circ@90\text{kHz}$) provides ample search area for fish, bait fish and bottom structure.



-  It is best to use low frequency (90 kHz) setting to figure out, where the fish are and switch to the high frequency (290 kHz) setting to get more accurate information about fish position and bottom structure.
-  By default, Deeper is set to high frequency (290 kHz) setting, which is designed for best performance and longest battery life.

[Back to TOP](#)

Login

Create an account:

Full name

Email

Password

Repeat password

Register

Or sign in with following accounts:



[Terms and Conditions](#)

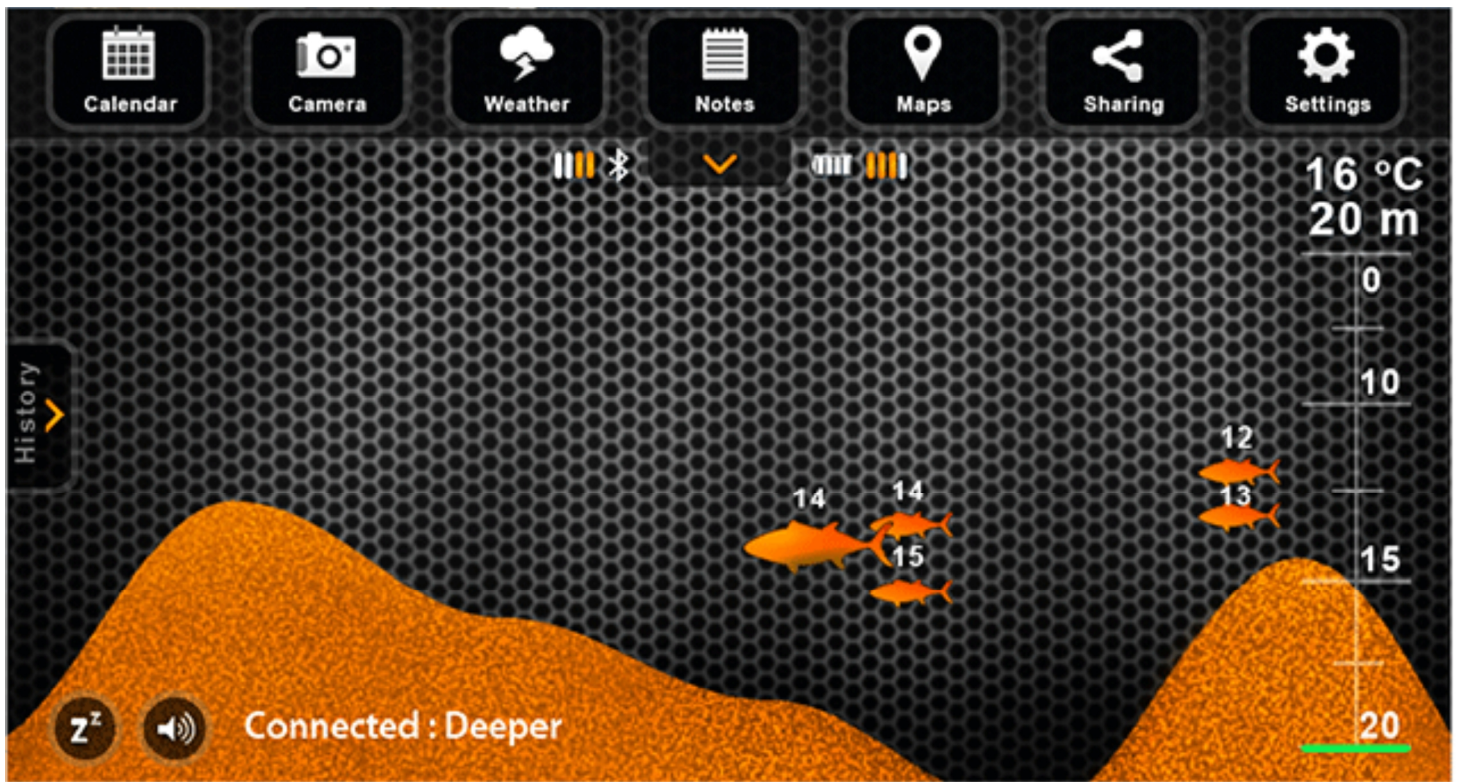
In order to start using Deeper application, you will be first forwarded to Deeper Login screen. There you will have to register (for new user) or login (for an existing user). After you put all your credentials and you are registered or logged in the system, you will be able to start using Deeper app.



Some of the interface details might differ on smartphones and tablets.

[Back to TOP](#)

Main Screen



WiFi connectivity icon



Battery level of the Deeper gadget



Shows and hides the menu bar



Water temperature and depth at the current gadget position



Depth of a fish



Self-adjusting depth scale



Fish position and its relative size



Floor



Opens quick settings



Puts the gadget into a low power consumption sleep mode or wakes it up



Mutes/Unmutes sounds



Status of the device

The main screen displays interpreted sonar information. The top of the screen corresponds to physical water surface at the closest proximity of Deeper. The bottom of the screen corresponds to the water depth and bottom.

Deeper picks up only what is underneath it. The right side of the screen displays the most recent sonar scan information, the edge of it represents current information. Whenever new sonar information is received, the view is scrolled to the left.

The application stores history of the sonar data, which can be accessed by clicking on the history button. The history view can be manually scrolled,