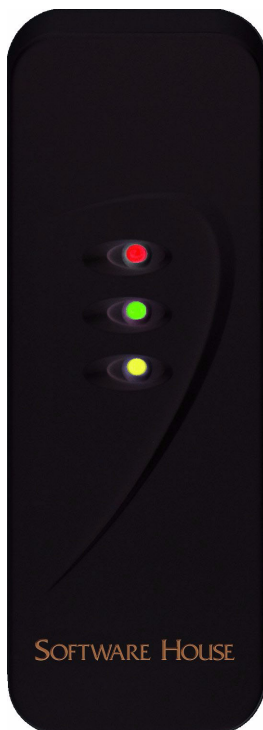


**SOFTWARE HOUSE** *Model SWH-5000*

*Proximity 125 KHz Credential  
Reader Installation Guide*

**Version A0  
Part Number UM-099  
September 2005**



---

# CONTENTS

Introduction .....	3
Features .....	3
Mounting .....	4
Wiring .....	6
Installation Notes .....	8
Troubleshooting .....	9
Model SWH-5000 Technical Specifications .....	10
FCC Digital Device Limitations .....	12
Canadian Radio Emissions Requirements .....	13
UL Standards Compliance .....	13
CE Marking .....	14

---

# INTRODUCTION

The SWH-5000 Proximity mullion reader will read a variety of prox cards at a frequency of 125 kHz. Compatible standards include HID and deister Prox SmartFrame®. Refer to Table 1 for a complete list of compatible standards and data.

**TABLE 1.** Compatible Credential Formats - Model SWH-5000

HID® 26 Bit	Other HID pass through formats
HID® Corporate 1000	deister Prox SmartFrame®
HID® 36 Bit Wiegand	CASI-RUSCO® Prox Lite
HID® 37 Bit Wiegand	Others - Future Expansion

## FEATURES

- Universal compatibility with most 125 kHz Prox (including all HID® Prox formats)
- Electrical protection (reverse polarity diode protection on power lines)
- Data lines: high-speed transient voltage suppressor diodes
- IP65-rated sealed electronics for deployment in both interior and exterior environments

---

# MOUNTING

Mount the reader module directly to a metal door frame, wall, or single-gang box, and snap the front cover in place as indicated in Figure 1.

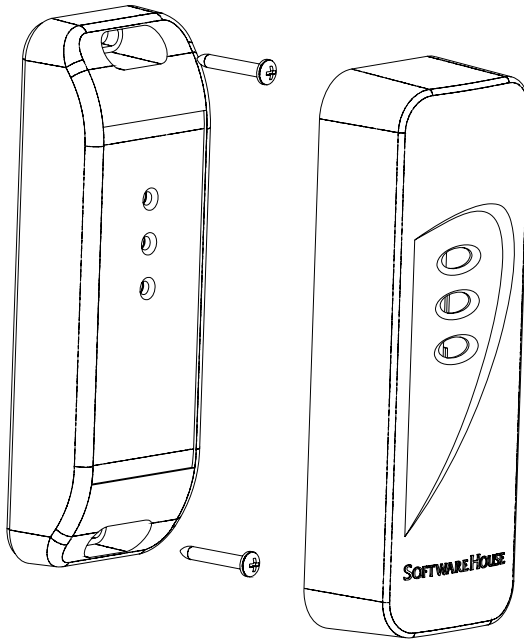


FIGURE 1. Mounting Assembly

---

## **Installation of two SWH-5000 readers side-by-side and back-to-back**

Read range is not affected if the center-to-center distance between two readers is greater than or equal to four (4) inches (101.6 mm). If the distance between the two readers is less than four inches, field interference between the two readers may result in a double-badge read. Two readers can simultaneously read the same badge or tag if the distance between the two readers is less than 4 inches, center-to-center.

### **NOTE**

If two readers are being placed back-to-back on a wall less than 4 inches thick, maximum performance can be achieved by using a metal separation plate and then using isolation spacers as necessary.

---

# WIRING

The SWH-5000 model has ten terminals as noted in Table 2. When attaching wires to the connector, strip off only the minimum insulation required (approx. 1/8") and push the wire into the connector until the insulation is flush or inside the connector body. This is particularly critical for outdoor readers. While the reader itself is designed and protected to IP65 standards, the cable wires can potentially corrode and short together if not carefully mounted and tightly fastened in the connector body.

**TABLE 2.** Connector Pins for Model SWH-5000

Pin	Description	Pin	
1	External Beeper Control	6	Reserved for Future Use
2	Ground	7	External Green LED Control
3	Power (8 to 16 VDC)	8	External Red LED Control
4	D1 Wiegand	9	No connection
5	D0 Wiegand	10	No connection

Table 3 indicates maximum wiring distances per Wiegand standard with the three most common gauges of cable.

**TABLE 3.** Maximum cable distance for 18, 20, or 22 AWG wire

Wire Gauge	18 AWG	20AWG	22 AWG
Cable Distance	500 feet (152 meters)	300 feet (91 meters)	200 feet (61 meters)

---

## Beeper Wiring

Figure 2 shows how to wire the beeper so that it beeps when a valid card is presented to the reader.

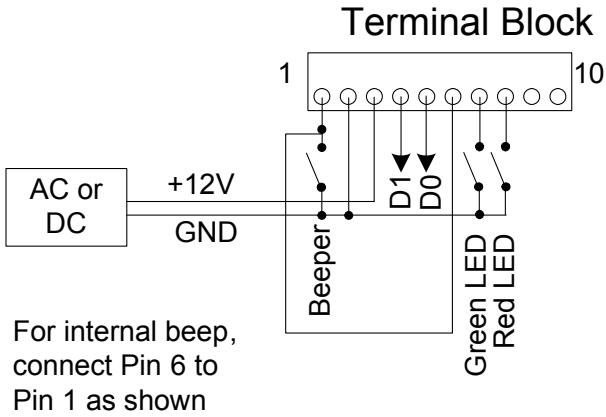


FIGURE 2. Beeper Wiring

---

# INSTALLATION NOTES

Unless otherwise specified in this manual, please follow these guidelines:

1. Shielded cable is recommended in electrically noisy environments.
2. You can use a local power supply for the reader. If so, don't connect the power supply from the controller to the reader. The ground line of the local power supply must be connected to the power supply of the controller.
3. The unit needs to be operated with a power source with limited power consumption according to EN 60950-1 (2001) paragraph 2.5.

Das Gerät ist mit einer Stromquelle mit begrenzter Leistung nach EN 60950-1 (2001) Absatz 2.5 zu betreiben. Des Weiteren gilt die EN 60950-1 (2001) nur in Europa und nicht in den USA!

4. Use of a pull-up resistor may be required by some controllers. Consult your controller manual.



---

# TROUBLESHOOTING

If the operation of a component is in doubt, substitute a known good component and retry the system. Always verify wiring against the provided wiring information before powering up the reader.

**TABLE 4.** Error Conditions and Possible Solutions

<b>Condition</b>	<b>Possible Solutions</b>
None of the LEDs are on.	Check the following: <ul style="list-style-type: none"><li>■ Power connections to the reader.</li><li>■ Reader supply voltage at connector pin 3 and that the ground connection pin 2 is secure and well connected.</li></ul>
The door does not open and the green LED does not light when a qualified credential is presented.	Verify that the door strike and the green LED are wired correctly. Verify that the access credential has been entered and that the reader has been properly configured in the host system.
The green LED does not light but the door strike unlocks the door when a valid credential is presented.	Verify that the door strike is wired correctly. Refer to the appropriate wiring diagram in your controller manual. Disconnect the wire from pin 7 (green LED) and connect pin 7 to pin 2 (ground). If the green LED is now on, the reader is good and the connection to the reader is defective. If the green LED does not light, replace the reader.

# MODEL SWH-5000 TECHNICAL SPECIFICATIONS

Cable Recommendations:	4 core (minimum), shielded, 22 AWG (minimum) cable
Connectors:	10 position, 3.5 mm Screw Terminals - Plug-In
Certifications:	FCC Part 15, CE and UL 294 (pending)
Other Standards Compliance:	deister SmartFrame® in 125 kHz implementations HID® Prox at 125 kHz (All Formats)
Standard Color:	Black (other colors available; contact your Software House representative)
Dimensions (height/width/depth):	4.92" × 1.77" × 0.98" (125 × 45 × 25 mm)
Power Supply:	Rated Voltage: 9.4-16 VDC 125 mA maximum current <b>Note:</b> Unit has been tested and is reliable operating to 8 VDC on long lines.
Environments:	Meets UL 294 standards for Outdoor Use
Humidity:	5 to 90% (non-condensing)
Operating Temperature:	-31° F to 151° F (-35° C to 67° C)

---

Index of Protection:	IP 65 (IEC 529)
Read Range:	1 to 3 inches depending on credential technology and environment. <b>Note:</b> Read range for credentials of identical technologies may vary greatly depending on the tuning and antenna structure of each individual credential.
Standard Wiegand Output including:	ID Pass-Through Option Fixed Wiegand bit stream option

---

# FCC DIGITAL DEVICE LIMITATIONS

## Radio and Television Interference

This equipment has been tested and found to comply with the limits for a digital device, pursuant to Part 15 of the FCC rules. These limits are designed to provide reasonable protection against harmful interference when the equipment is operated in a commercial environment. This equipment generates, uses, and can radiate radio frequency energy and, if not installed and used in accordance with the instruction manual, may cause harmful interference to radio communications. Operation of this equipment in a residential area is likely to cause harmful interference, in which case the user will be required to correct the interference at his own expense.

This device complies with Part 15 of the FCC rules. Operation is subject to the following two conditions: (1) This device may not cause harmful interference, and (2) this device must accept any interference received, including interference that may cause undesired operation.

In order to maintain compliance with FCC regulations, shielded cables must be used with this equipment. Operation with non-approved equipment or unshielded cables is likely to result in interference to radio and television reception.

§ 15.21 Information to the user:

**CAUTION:** Changes or modifications not expressly approved by the manufacturer could void the user's authority to operate this equipment.

---

# CANADIAN RADIO EMISSIONS REQUIREMENTS

This digital apparatus does not exceed the Class A limits for radio noise emissions from digital apparatus set out in the Radio Interference Regulations of the Canadian Department of Communications.

Operation is subject to the following two conditions:

- 1) This device may not cause harmful interference, and
- 2) this device must accept any interference received, including interference that may cause undesired operation.

Le present appareil numerique n'emet pas de bruits radioelectriques depassant les limites applicables aux appareils numeriques de la class A prescrites dans le Reglement sur le brouillage radioelectrique edicte par le ministere des Communications du Canada.

## UL STANDARDS COMPLIANCE

This reader has been tested by Underwriters Laboratories, Inc. for standard UL 294, Access Control System Units, but has not been tested for compliance with any particular model of controller.

---

# CE MARKING

Hereby, Software House declares that this equipment, if used according to the instructions, is in compliance with the essential requirements and other relevant provisions of the RTTE Directive 1999/5/EC. For use in all countries of the EU.

A Declaration of Conformity exists for the following Software House Multi-technology readers:

SWH-4100	SWH-2100	SWH-1100	SWH-2000
SWH-5100	SWH-4200	SWH-3100	SWH-4000
SWH-1000	SWH-3000	SWH-5000	

To obtain a copy, contact Software House and request the “Declaration of Conformity” document for Multi-technology readers.

Software House  
70 Westview Street  
Lexington, MA 02421 U.S.A.

In case of alteration of the product, not agreed to by us, this declaration will lose its validity.

This symbol indicates proof of conformity to applicable European Economic Community Council directives and harmonized standards published in the official journal of the European Communities.





---

## Copyrights and Trademarks

This document contains proprietary information of Tyco International, Inc. and is furnished to its customer solely to assist in the installation, testing, operation and maintenance of the equipment described. This document may not be reproduced in whole or in part without the written approval of Tyco International.

Copyright 2005 Tyco International

All rights reserved.

Printed in Germany.

Software House is a trademark of Sensormatic Electronics Corporation.

HID, SmartFrame, and CASI-RUSCO are registered trademarks of other companies not affiliated with Sensormatic.

---

Software House  
70 Westview Street  
Lexington, MA 02421  
<http://www.swhouse.com>  
*Fax: 781-466-9550 Phone: 781-466-6660*