



Dekolink WIRELESS Ltd.  
16 Bazel St. Qiryat-Arieh Petah-Tikva, Israel, 49510  
Tel- 972-3-9180-180 Fax-972-3-9180-190  
e-mail: [marketing@dekolink.com](mailto:marketing@dekolink.com) web [www.dekolink.com](http://www.dekolink.com)

# INSTALLATION AND OPERATION INSTRUCTIONS

## FOR FiberLink®

### BI-DIRECTIONAL AMPLIFIER

### MW-FBDA-PCS-xxx-50W



Dekolink Wireless Proprietary and Confidential Information. Copying, Distribution, and Disclosure are prohibited without Express Authorization from Dekolink Wireless Company.  
This document is protected by all applicable copyright laws.



## **TABLE OF CONTENTS**

<b>Para No.</b>	<b>Paragraph</b>	<b>Page No.</b>
1.	OVERVIEW	3
2.	COMPONENT DESCRIPTION	5
2.1	DUPLEXER	5
2.2	UPLINK AMPLIFIER	5
2.3	50 WATT DOWNLINK POWER AMPLIFIER	5
2.4	FIBEROPTIC TO RF TRANSCEIVER	5
2.5	MONITOR UNIT	7
2.6	POWER CONNECTION UNIT	10
2.7	POWER SUPPLY	10
3	SPECIFICATIONS	11
3.1	RF SECTION SPECIFICATIONS	11
3.2	FBDA ALARM SPECIFICATIONS	12
3.3	MECHANICAL SPECIFICATIONS	12
3.4	ENVIRONMENTAL CONDITIONS	12
4	RF EXPOSURE WARNING	13
	DEKOLINK WIRELESS LIMITED WARRANTY	17

## **LIST OF FIGURES**

<b>Fig No.</b>	<b>Fig. Name</b>	<b>Page No.</b>
1	FBDA RF BLOCK DIAGRAM	4
2	RFIBER FRONT PANEL	6
3	RFIBER REAR PANEL	6
4	MONITOR OUTLINE	8
5	FIBERLINK ALARM BLOCK DIAGRAM	9
6	FBDA SYSTEM BLOCK DIAGRAM	14
7	MECHANICAL LAYOUT	15
8	MECHANICAL OUTLINE	16



## 1. OVERVIEW:

The FBDA is an interface unit between optical signals carrying RF information, and RF antennas covering a defined user area. The system consists of uplink path and downlink path.

The uplink path receives RF signals from the Mobile antenna amplifies them and the Rfiber+ converts them to optical signals. These optical signals are sent to the BTS.

The downlink path receives optical signals from the BTS to the Rfiber+, converts them to RF signals and amplifies these signals using a high power amplifier. The Mobile antenna transmits these RF signals.

A duplexing filter separates the frequencies of uplink path from the downlink path enabling the use of the same antenna for receiving and transmitting. The FBDA provides about 45 dB RF GAIN in both directions.

Both optical signals for Uplink and Downlink are carried on two fibers or a single fiber using WDM.

The Rfiber+ RF output power must be aligned to 0 dBm for proper operation.

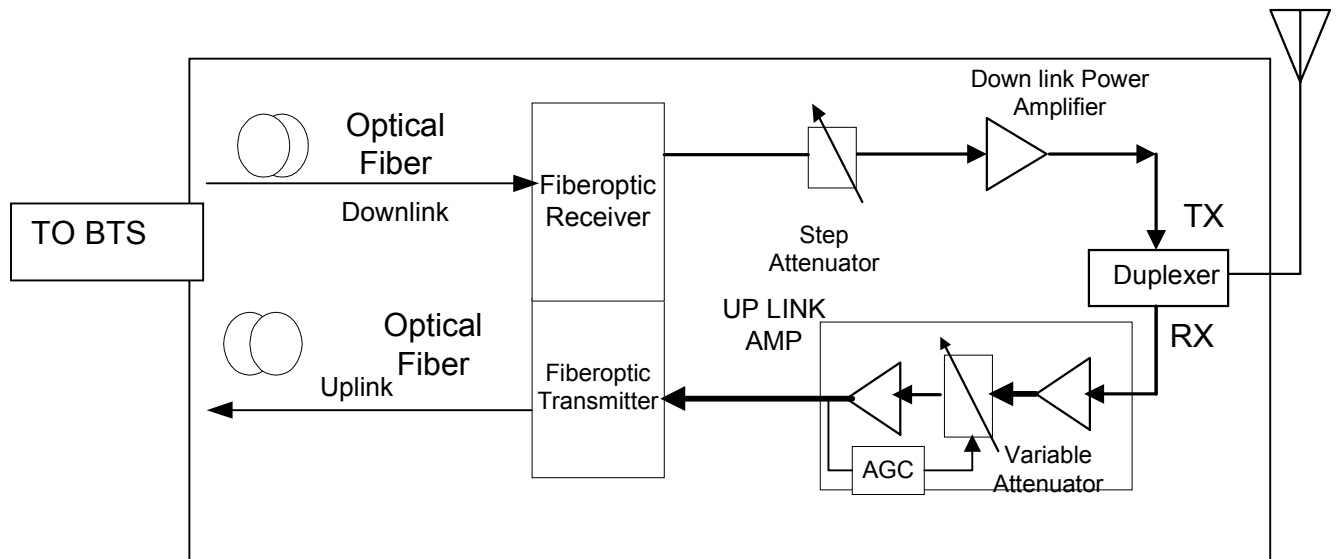
The downlink path uses a 50 Watt power amplifier with AGC control. The AGC control is located on the power connection unit.

Downlink gain can be adjusted using a step attenuator for required output power.

The uplink uses a low power AGC amplifier to drive the uplink F/O transmitter. The AGC is set to 0 dBm, which is the optimum power permitted by the F/O transmitter.

Uplink gain can be adjusted by 16 dB continuous trim potentiometer on the uplink amplifier.

**Fig. 1 : FBDA RF BLOCK DIAGRAM**





## **2. COMPONENTS DESCRIPTION:**

### **2.1 DUPLEXER**

The duplexer serves to frequency separate uplink signals from downlink signals. The duplexer has sharp out of band attenuation for better isolation between the receiving and transmitting paths and for better rejection of interfering signal in the air.

### **2.2 UPLINK PRE-AMPLIFIER**

The uplink pre-amplifier is a low noise, 45dB gain unit. The amplifier contains AGC control circuitry. When a high power signal is received the automatic level control detects it and reduces the gain so that the output power of the amplifier is constant. The AGC function limits the signal at the Fiberoptic transmitter input when high power signals are received while keeping high gain when low power signals are received.

The **LED** on the amplifier illuminates when the power output of the amplifier exceeds the AGC power set limit (when the AGC is either ON or OFF).

The **Switch** on the RF amplifier enables the AGC function. If the AGC is disabled then the amplifier gives maximum gain for any input.

The AGC level is factory set to 0 dBm and AGC is set to ON, to prevent high power damage at the Rfiber+ input.

### **2.3 50 WATT DOWNLINK POWER AMPLIFIER**

This is the downlink power amplifier. It can drive 40 dBm composite power to the mobile antenna. A thermostat attached to this amplifier turns on TEMP alarm when the temperature exceeds 80° C. This amplifier has AGC circuitry that can be turned on to limit transmitted power. The AGC switch is located on the power connection unit.

### **2.4 Fiberoptic to RF transceiver**

The RFiber+™ product is a transceiver that includes a transmitter and receiver unit. The transmitter converts the RF signals into light wave signals, which are then sent over fiberoptic cables. The receiver converts light wave signals back to RF. The model in use is a wide band product in the 0.08-2 GHz frequency range.



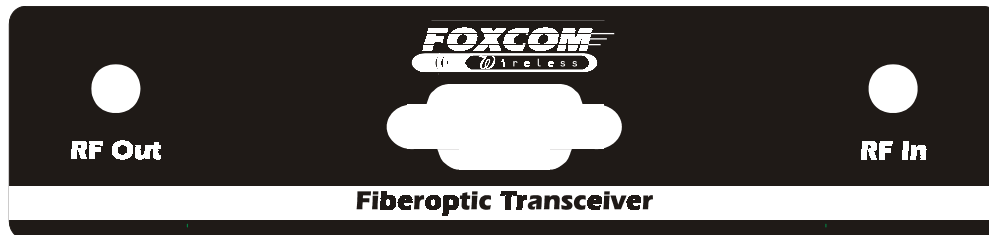
The RFiber+™ main features are:

1. Protocol transparency; i.e. any standard can be faithfully transmitted.
2. An optional serial port (RS232) is installed into each unit. This port allows data communication over the same fiberoptic cable.
3. Max. input RF power for normal operation – 0dBm.
4. Manual Gain Control is standard in receiver to compensate for optical loss across the fiber.

The following drawings show sample front and rear panels of the RFiber+™ unit



**Fig. 2 : - RFiber+™ Front Panel**



**Fig. 3 : - RFiber+™ Rear Panel**

On the Front Panel of the RFiber+™ unit (Fig 2.) are three LEDs. The LEDs should be on when the unit is in use. The following table describes the LEDs.



LED Name	LED Function
LD	When ON - Indicates optical output power is within product specifications.
PD	When ON - Indicates optical power received is above 0.1mW.
DC	Indicates when the power is on.

The “Gain” trimmer on the front panel is used to adjust signal level at the RF out of the Rfiber+, especially for optical loss compensation of the optical fiber.

## 2.5 MONITOR UNIT

The FBDA monitor performs the following functions:

- a) Monitors the DC supply voltage of the FBDA. The fault LED illuminates when the voltage is beyond the specified limits.
- b) Monitors the current to each active element and the internal fan. If the current is below or above the specified limits then a LED illuminates.
- c) Monitor the optical receive signal using alarm output of the optical transceiver.
- d) Monitors the Thermostat for high temperature alarm.
- e) Provides automatic alarm function. Whenever any fault occurs or when the power supply voltage is under it’s limit, the unit sends summarized alarm signal to the base station via the Fiberoptic transmitter data port.
- e) Provides self test for the alarm functions. The pushbutton switch on the Monitor unit turns on all the alarm LEDs and initiates the summarized alarm.



**Fig 4.: MONITOR OUTLINE**

Fault list:

P.S.+28V : power supply fault

FAN : Fan

PWR. AMP : Downlink 50W AMP

RFIBR DC : Rfibr dc current

UPLINK A .: Uplink amp

OPT. ALR .: Optical link alarm

P.S.+15V : power supply fault

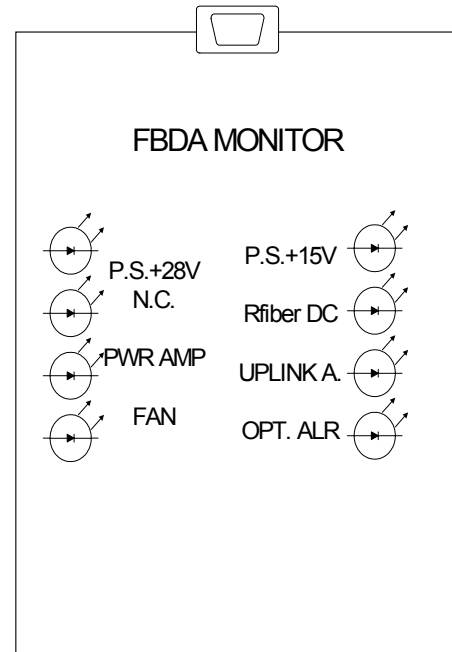
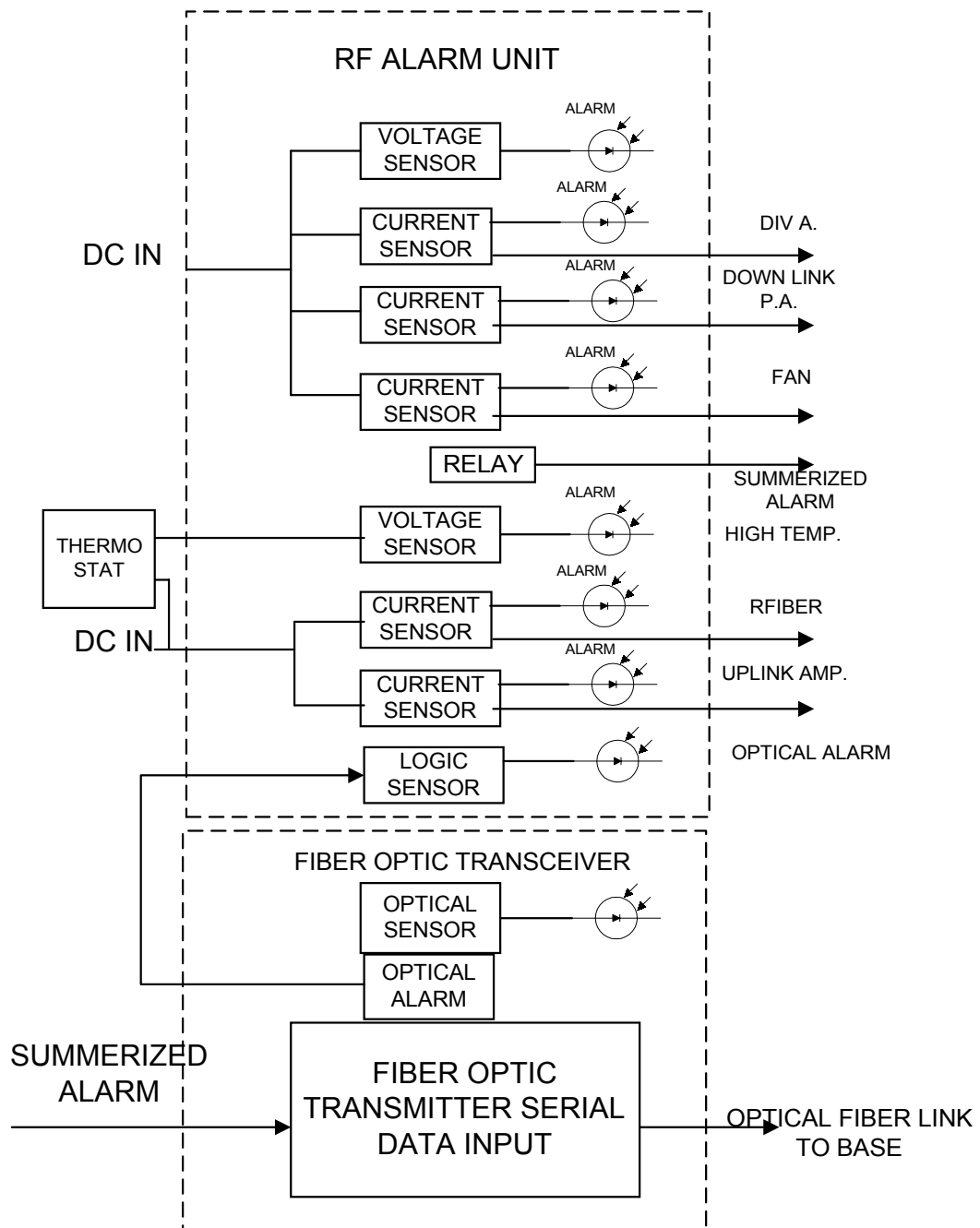




Fig 5.: FIBER LINK ALARMS  
 BLOCK DIAGRAM





Dekolink WIRELESS Ltd.  
16 Bazel St. Qiryat-Arieh Petah-Tikva, Israel, 49510  
Tel- 972-3-9180-180 Fax-972-3-9180-190  
e-mail: [marketing@dekolink.com](mailto:marketing@dekolink.com) web [www.dekolink.com](http://www.dekolink.com)

## **2.6 POWER CONNECTION UNIT**

The power distribution unit acts as DC connection panel. It receives power from the power supply and distributes it to the FBDA units.

It contains the following functions:

- Power ON switch
- Downlink AGC ON/OFF switch
- Fuse and for the DC power coming from the AC power supply.

## **2.7 POWER SUPPLY**

This is a high efficiency switching power supply providing +28 VDC for the 50W amplifier, and a +15 VDC for other units.



### 3 SPECIFICATIONS:

#### 3.1 RF SECTION SPECIFICATIONS

	<b>Uplink (RX)</b>	<b>Downlink (TX)</b>
Frequency Range	See Table	See Table
Passband Gain @ min attenuation	45 dB Nominal	45 dB Nominal
Passband Ripple	± 1.0 dB typical	± 1.0 dB typical
Noise Figure @+25°C (optical loss less than 3 dB)	6.0 dB max @ max gain	<u>N.A.</u>
Manual Attenuation Range	0 to 16 dB continuous	30 dB in 2 db steps
Down-Link Output Composite Power	-----	+40 dBm typ.
Down-Link 3 <sup>rd</sup> Order Intermodulation Products @two tones +37 dBm each at Output	-----	50 dBc min
AGC Range	30 dB typ	10 dB typ
Power Output at AGC Setting (Factory Set)	0 ± 1 dBm	+40 ± 1 dBm
Up-Link 3 <sup>rd</sup> Order Intermodulation Products @two tones -3 dBm each at F/O Transmitter Input	55 dBc typical	-----
Impedance Level	50 Ohms	
VSWR	1.5 : 1 max	

#### System Frequency Range

SYSTEM TYPE	MODEL No	DOWN-LINK	UP-LINK
Block B	MW-FBDA-PCS-B-50W	1950-1965	1870-1885
Block D+B+E	MW-FBDA-PCS-DE-50W	1945-1970	1865-1890
Block B+E+F	MW-FBDA-PCS-BF-50W	1950-1975	1870-1895
Block D+B+E+F	MW-FBDA-PCS-DF-50W	1945-1975	1865-1895



### 3.2 FBDA ALARM SPECIFICATIONS

Remote Fault Indication (Summarized alarm)	Relay Contact open for any fault. Relay closed for no fault. Alarm is sent on the serial data link of the FO transmitter
Fault List :	Power Supply Over-voltage or Under-voltage
	Uplink Amplifier Over Current or Under Current
	Downlink Power Amplifier Over Current or Under Current
	FO Transceiver Over Current or Under Current
	FO Receiver Power fall (Bad Optical Connection)
	Fan Over Current or Under Current
	High temperature
Electrical Fault Indication LED	Illuminated LED on Monitor Box for each Electrical Fault
Fiber Optic Connection Fault Indication LED	Illuminated LED on FO Transceiver when Optical Connection is performing Correctly. LED is OFF when FO Receiver Power falls.

### 3.3 MECHANICAL SPECIFICATIONS:

Size	: 400 x 400 x 300 mm approx.
RF Connectors	: N-type Female
Weight	: 30 kg. Approx.
Enclosure Type	: Weather proof Enclosure for Wall Mounted Installation(IP66).
Power Supply	: 100 to 220 VAC / 2A

### 3.4 ENVIRONMENTAL CONDITIONS:

Operating temperature	: - 20°C to + 50°C
Storage temperature	: - 30°C to + 70°C



## **4. RF EXPOSURE WARNING**

In order to satisfy the FCC RF exposure requirements, you must ensure that the installation complies with the following:

The antenna is connected via cable that has typical 1~10 dB attenuation (depends on the length of the cable) to the FBDA MOBILE port.

There are two applications: Outdoor and Indoor.

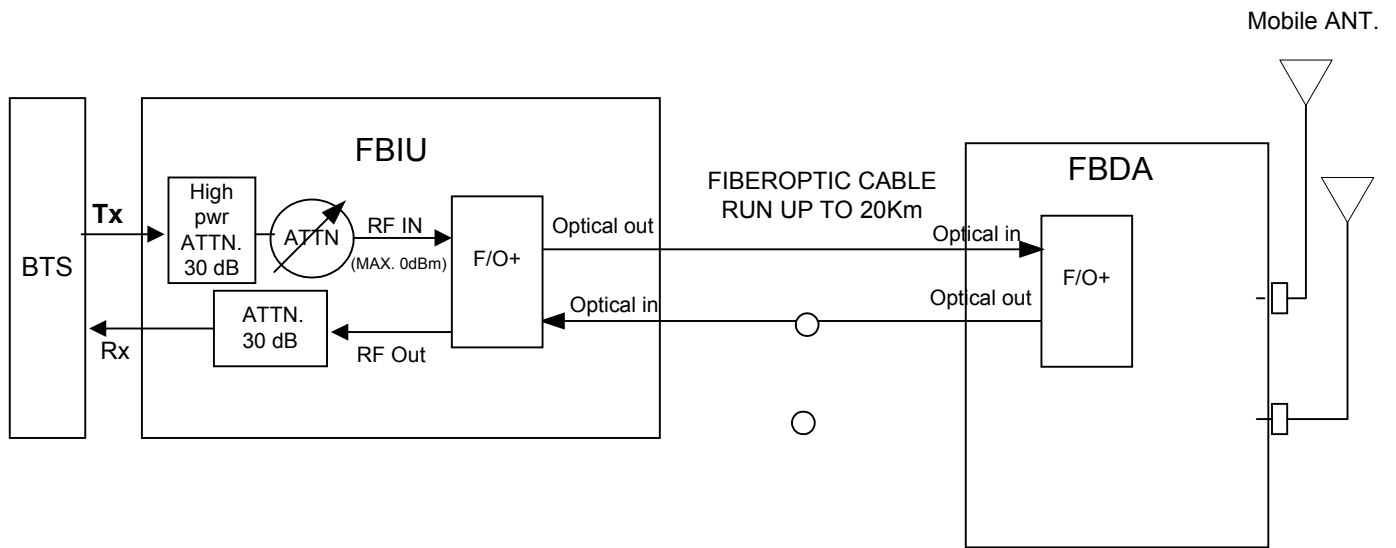
In the case of Outdoor the type of antenna is omnidirectional (isotropic) with 0 to 2 dBi typical gain, or wide beam with up to 3 dBi gain, and is installed on a mast to cover shadowed, outdoor, area. This antenna must be installed to provide a minimum separation distance of 1 m (100 cm) from persons within the area

In the case of Indoor coverage the power is split to several, omnidirectional (isotropic) antenna with 0 to 2 dBi typical gain, and distributes to different indoor areas (in building floors, tunnels, basements, parking lots, shopping centers etc.). Typical specifications: gain: 2 dBi, VSWR: better than 2:1 , Impedance: 50 ohm. At least 5 such antenna must be connected to the BDA using cables and splitters. In this case the max. EIRP from each antenna will not exceed 3W so that the minimum required separation distance from persons within the area is 20cm.

Less separation is needed if the power is divided into more than 5 antenna covering many floors or areas.

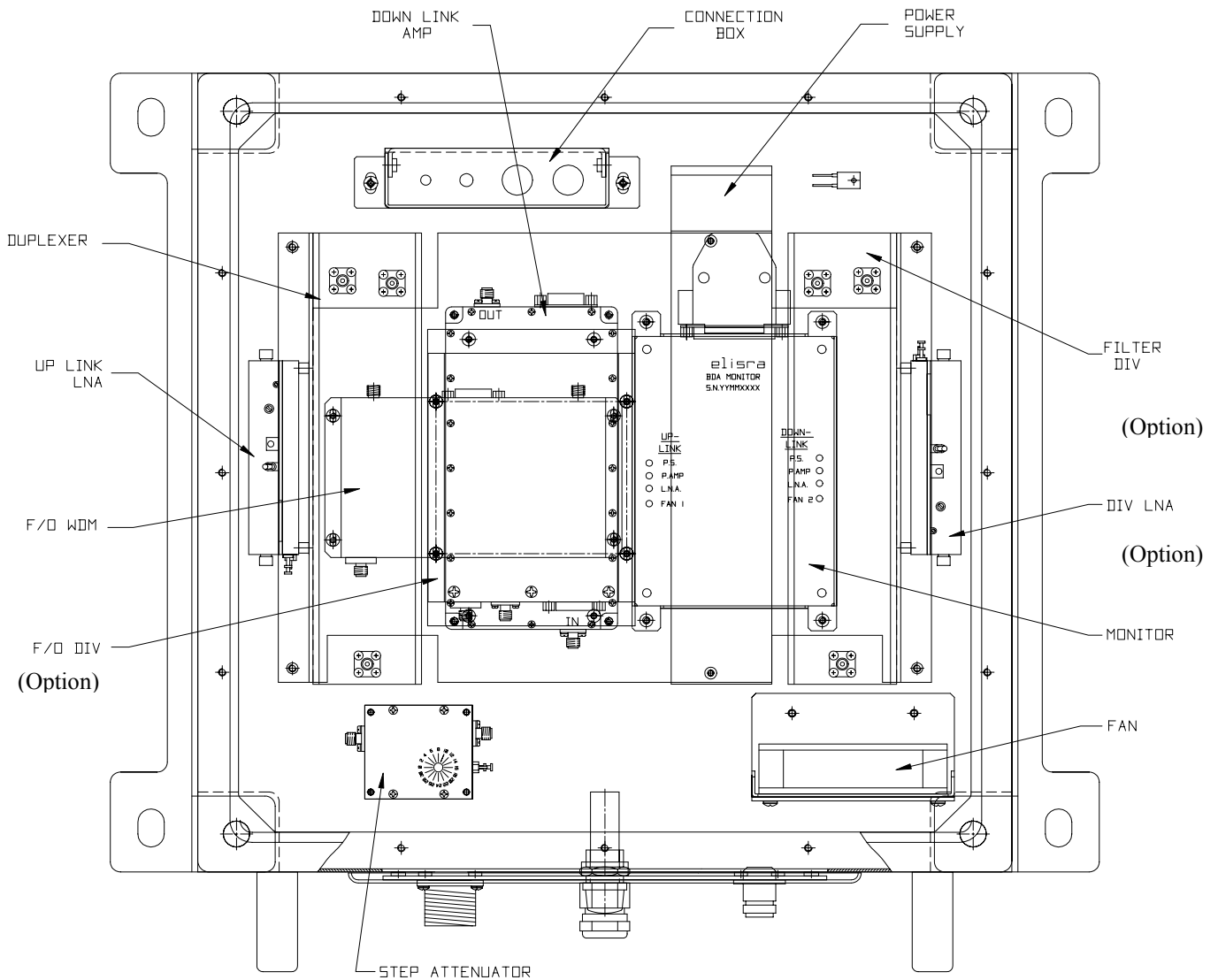


Dekolink WIRELESS Ltd.  
16 Bazel St. Qiryat-Arieh Petah-Tikva, Israel, 49510  
Tel- 972-3-9180-180 Fax-972-3-9180-190  
e-mail: [marketing@dekolink.com](mailto:marketing@dekolink.com) web [www.dekolink.com](http://www.dekolink.com)



**FBDA SYSTEM BLOCK DIAGRAM**

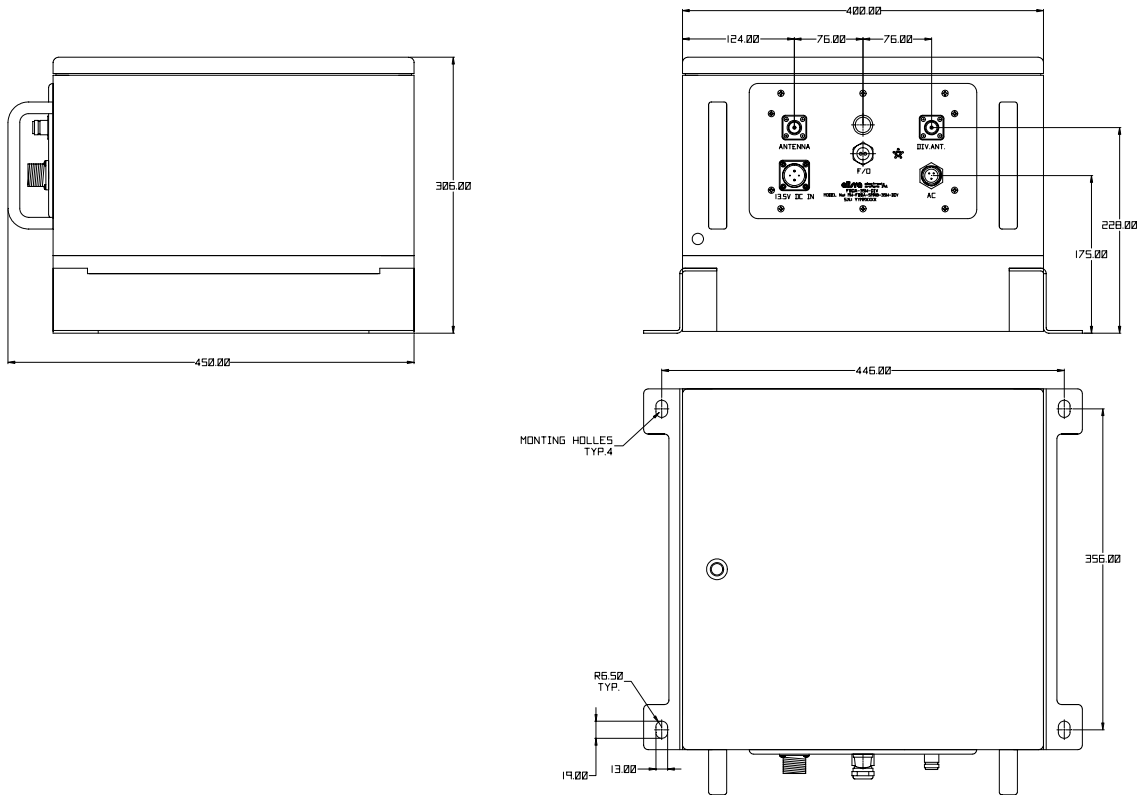
**Fig. 7:MECHANICAL LAYOUT**





Dekolink WIRELESS Ltd.  
16 Bazel St. Qiryat-Arieh Petah-Tikva, Israel, 49510  
Tel- 972-3-9180-180 Fax-972-3-9180-190  
e-mail: [marketing@dekolink.com](mailto:marketing@dekolink.com) web [www.dekolink.com](http://www.dekolink.com)

**Fig. 8: MECHANICAL OUTLINE**







Dekolink WIRELESS Ltd.  
16 Bazel St. Qiryat-Arieh Petah-Tikva, Israel, 49510  
Tel- 972-3-9180-180 Fax-972-3-9180-190  
e-mail: [marketing@dekolink.com](mailto:marketing@dekolink.com) web [www.dekolink.com](http://www.dekolink.com)

## DEKOLINK WIRELESS

# LIMITED WARRANTY

Dekolink Wireless [Ltd.] ("Dekolink"), manufacturer of this product (the "Product") warrants to the original purchaser ("Purchaser") that the Product is free from defects in materials and workmanship for a term that ends on the earlier of twelve (12) months from the date of activation of the Product or fifteen (15) months from the date of shipment of the Product by Dekolink. The obligations of Dekolink under this warranty shall be limited solely to the repair or exchange or giving credit for, at the option of Dekolink, any Product that may prove defective in accordance with evidence satisfactory to Dekolink. Any repair or replacement of the Product by Dekolink shall not extend the original warranty period. This warranty is exclusive to the original Purchaser and is not assignable.

This warranty applies only upon the condition that the Product has been installed, maintained and operated under conditions of normal use. The provisions of this warranty shall not apply if, in Dekolink's judgment, the Product has been subject to misuse or neglect, damaged in an accident or by act of vandalism, or repaired or altered in any way that adversely affects its performance or reliability.

To obtain warranty service, Purchaser may, upon the prior written authorization of Dekolink or its authorized service representative, return the defective Product to Dekolink's authorized service center. All shipping and insurance charges are the sole responsibility of Purchaser and are not included in this warranty.

Dekolink expressly excludes and disclaims all other warranties, including but not limited to any warranties of merchantability or fitness for a particular purpose.

Dekolink shall in no event be liable for any special, indirect, incidental, consequential or punitive damages or for loss, damage, or expense, including loss of use, profits, revenue, or goodwill, directly or indirectly arising from purchaser's use or inability to use the merchandise, or for loss or destruction of other property or from any other cause, even if Dekolink has been advised of the possibility of such damage. Some states do not allow the exclusion or limitation of incidental or consequential damages so these limitations may not apply under certain circumstances.

The liability of Dekolink shall in no event exceed an amount equivalent to the purchase price paid by the purchaser for the defective product.

This warranty shall not be extended, altered or varied except by a written instrument duly signed by Dekolink.