

Dell™ Inspiron™ 531s Owner's Manual

Model DCSLA

Notes, Notices, and Cautions



NOTE: A NOTE indicates important information that helps you make better use of your computer.



NOTICE: A NOTICE indicates either potential damage to hardware or loss of data and tells you how to avoid the problem.



CAUTION: A CAUTION indicates a potential for property damage, personal injury, or death.

If you purchased a Dell™ n Series computer, any references in this document to Microsoft® Windows® operating systems are not applicable.

Abbreviations and Acronyms

For a complete list of abbreviations and acronyms, see the "Glossary" on page 189.

Information in this document is subject to change without notice.

© 2008 Dell Inc. All rights reserved.

Reproduction in any manner whatsoever without the written permission of Dell Inc. is strictly forbidden.

Trademarks used in this text: *Dell*, the *DELL* logo, *YOURS IS HERE*, *Inspiron*, *Dell TravelLite*, and *Strike Zone*, are trademarks of Dell Inc.; *Bluetooth* is a registered trademark owned by Bluetooth SIG, Inc. and is used by Dell under license; *Microsoft*, *Windows*, *Windows Vista*, and *Windows Vista start button* are either trademarks or registered trademarks of Microsoft Corporation in the United States and/or other countries; *Intel* and *Intel SpeedStep* are registered trademarks of Intel Corporation; *AMD*, *AMD Athlon*, *AMD Sempron*, and *Cool 'n' Quiet* are trademarks of Advanced Micro Devices, Inc; *Nvidia* is a registered trademark of Nvidia Corporation in the United States and/or other countries.

Other trademarks and trade names may be used in this document to refer to either the entities claiming the marks and names or their products. Dell Inc. disclaims any proprietary interest in trademarks and trade names other than its own.

Model DCSLA

April 2008

Rev. A00

Contents

Finding Information	11
1 Setting Up and Using Your Computer . . .	15
Front View of the Computer	15
Back View of the Computer	17
Back Panel Connectors	19
Installing Your Computer in an Enclosure	21
Setting Up a Printer	23
Printer Cable	23
Connecting a USB Printer	23
Playing CDs and DVDs	25
Adjusting the Volume	27
Adjusting the Picture	27
Copying CDs and DVDs	28
How to Copy a CD or DVD	28
Using Blank CDs and DVDs	29
Helpful Tips	30
Using a Media Card Reader (Optional)	31

Connecting Two Monitors	33
Connecting Two Monitors With VGA Connectors	33
Connecting One Monitor With a VGA Connector and One Monitor With a DVI Connector	34
Connecting a TV	34
Changing the Display Settings	35
Power Management	35
Power Management Options in Microsoft® Windows® XP	35
Power Options Properties	37
Power Schemes Tab	37
Advanced Tab	38
Hibernate Tab	38
Power Management Options in Windows Vista®	38
Standby Mode	39
Hibernate Mode	40
Power Plan Properties	40
Enabling Cool 'n' Quiet Technology	42
About RAID Configurations (For Windows Vista® only)	43
RAID Level 1 Configuration	43
Configuring Your Hard Drives for RAID	44
Using the Nvidia MediaShield ROM Utility	45
Using Nvidia MediaShield	46
Transferring Information to a New Computer	47
Windows Vista®:	48

Setting Up a Home and Office Network	49
Connecting to a Network Adapter	49
Network Setup Wizard	50
Connecting to the Internet	51
Setting Up Your Internet Connection	51
2 Solving Problems	55
Troubleshooting Tips	55
Battery Problems	55
Drive Problems	56
CD and DVD drive problems	57
Hard drive problems	58
E-Mail, Modem, and Internet Problems	58
Error Messages	60
Keyboard Problems	62
Lockups and Software Problems	62
The computer does not start up	62
The computer stops responding	63
A program stops responding	63
A program crashes repeatedly	63
A program is designed for an earlier Microsoft® Windows® operating system	64
A solid blue screen appears	64
Other software problems	65
Media Card Reader Problems	66
Memory Problems	67

Mouse Problems	68
Network Problems	69
Power Problems	70
Printer Problems	71
Scanner Problems	73
Sound and Speaker Problems	74
No sound from speakers	74
No sound from headphones	75
Video and Monitor Problems	76
If the screen is blank	76
If the screen is difficult to read	77
3 Troubleshooting Tools	79
Power Lights	79
Beep Codes	80
System Messages	82
Dell Diagnostics	84
When to Use the Dell Diagnostics	84
Starting the Dell Diagnostics From Your Hard Drive	84
Starting the Dell Diagnostics From the <i>Drivers and Utilities</i> Media	85
Dell Diagnostics Main Menu	85
Drivers	87
What Is a Driver?	87
Identifying Drivers	87
Reinstalling Drivers and Utilities	88


Resolving Software and Hardware Incompatibilities	91
Restoring Your Operating System	92
Using Microsoft Windows System Restore	93
Using Dell PC Restore	95
Using the Operating System CD	98
4 Removing and Installing Parts	101
Before You Begin	101
Recommended Tools	101
Turning Off Your Computer	102
Before Working Inside Your Computer	102
Removing the Computer Cover	103
Removing the Support Bracket	104
Inside View of Your Computer	106
System Board Components	107
Power Supply DC Connector Pin Assignments	109
Memory	112
Memory Installation Guidelines	112
Installing Memory	113
Removing Memory	115
Cards	116
PCI and PCI Express Cards	116
Bezel	123
Removing the Bezel	123
Replacing the Bezel	124


Drives	124
Recommended Drive Cable Connections	125
Connecting Drive Cables	125
Drive Interface Connectors	126
Connecting and Disconnecting Drive Cables	126
Hard Drives	126
Installing a Second Hard Drive (Optional)	129
Floppy Drive	131
Media Card Reader	137
CD or DVD Drive	141
Battery	144
Replacing the Battery	144
Power Supply	146
Replacing the Power Supply	146
Processor	148
Removing the Processor	148
Installing the Processor	150
I/O Panel	153
Removing the I/O Panel	153
Installing the I/O Panel	154
Processor Fan	155
Removing the Processor Fan	155
Installing the Processor Fan	158
Chassis Fan	160
Removing the Chassis Fan	160
Replacing the Chassis Fan	161
System Board	162
Removing the System Board	162
Installing the System Board	164

Replacing the Support Bracket	164
Replacing the Computer Cover	165
Specifications	167
System Setup	172
Overview	172
Entering System Setup	172
System Setup Options	173
Boot Sequence	175
Changing Boot Sequence for the Current Boot	175
Clearing Forgotten Passwords	176
Clearing CMOS Settings	177
Flashing the BIOS	178
Cleaning Your Computer	179
Computer, Keyboard, and Monitor	179
Mouse	179
Floppy Drive	180
CDs and DVDs	180
Dell Technical Support Policy (U.S. Only)	180
Definition of "Dell-Installed" Software and Peripherals	181
Definition of "Third-Party" Software and Peripherals	181
FCC Notice (U.S. Only)	181
FCC Class B	181

Getting Help	183
Obtaining Assistance	183
Technical Support and Customer Service	183
DellConnect	184
Online Services	184
AutoTech Service	185
Automated Order-Status Service	185
Problems With Your Order	185
Product Information	185
Returning Items for Warranty Repair or Credit	186
Before You Call	186
Contacting Dell	188
Glossary	189
Index	205

Finding Information

 **NOTE:** Some features or media may be optional and may not ship with your computer. Some features or media may not be available in certain countries.

 **NOTE:** Additional information may ship with your computer.

What Are You Looking For?

Find it Here

- Warranty information
- Terms and Conditions (U.S. only)
- Safety instructions
- Regulatory information
- Ergonomics information
- End User License Agreement

Dell™ Product Information Guide



-
- How to set up my computer

Setup Diagram

NOTE: See the setup diagram that came with your system.

NOTE: The appearance of your setup diagram may vary.



What Are You Looking For?

- Service Tag and Express Service Code
- Microsoft Windows License Label

Find it Here**Service Tag and Microsoft® Windows® License**

These labels are located on your computer.

- Use the Service Tag to identify your computer when you use support.dell.com or contact support.
- Enter the Express Service Code to direct your call when contacting support.



NOTE: As an increased security measure, the newly designed Microsoft Windows license label incorporates a missing portion or "hole" to discourage removal of the label.

What Are You Looking For?**Find it Here**


- Solutions — Troubleshooting hints and tips, articles from technicians, online courses, and frequently asked questions
- Community — Online discussion with other Dell customers
- Upgrades — Upgrade information for components, such as memory, the hard drive, and the operating system
- Customer Care — Contact information, service call and order status, warranty, and repair information
- Service and support — Service call status and support history, service contract, online discussions with technical support
- Reference — Computer documentation, details on my computer configuration, product specifications, and white papers
- Downloads — Certified drivers, patches, and software updates
- Desktop System Software (DSS)— If you reinstall the operating system for your computer, you should also reinstall the DSS utility. DSS provides critical updates for your operating system and support for Dell™ 3.5-inch USB floppy drives, optical drives, and USB devices. DSS is necessary for correct operation of your Dell computer. The software automatically detects your computer and operating system and installs the updates appropriate for your configuration.

Dell Support Website — support.dell.com**NOTE:** Select your region to view the appropriate support site.**NOTE:** Corporate, government, and education customers can also use the customized Dell Premier Support website at premier.support.dell.com.

To download Desktop System Software:

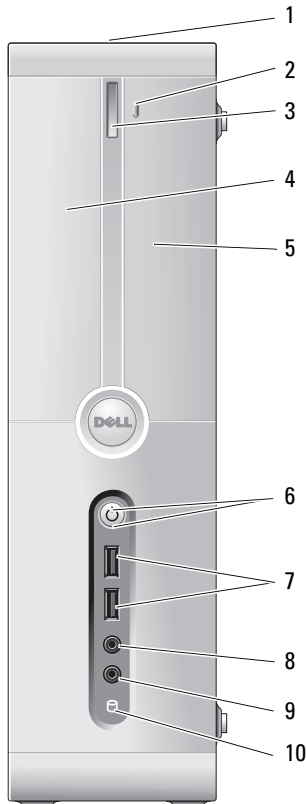
- 1** Go to support.dell.com and click **Drivers and Downloads**.
- 2** Enter your Service Tag or Product Type and Product Model and click **Go**.
- 3** Scroll to **System and Configuration Utilities**→ **Dell Desktop System Software** and click **Download Now**.

NOTE: The support.dell.com user interface may vary depending on your selection.

What Are You Looking For?	Find it Here
<ul style="list-style-type: none"> • How to use Windows XP • How to use Windows Vista • How to work with programs and files • How to personalize my desktop 	<p data-bbox="501 236 957 268">Windows Help and Support Center</p> <p data-bbox="501 272 957 304">1 To access Windows Help and Support:</p> <ul style="list-style-type: none"> • In Windows XP, click Start and click Help and Support. • In Windows Vista[®], click the Windows Vista Start button[™]  and click Help and Support. <p data-bbox="501 464 957 528">2 Type a word or phrase that describes your problem and press <Enter>.</p> <p data-bbox="501 533 957 584">3 Click the topic that describes your problem. Follow the instructions on the screen.</p>

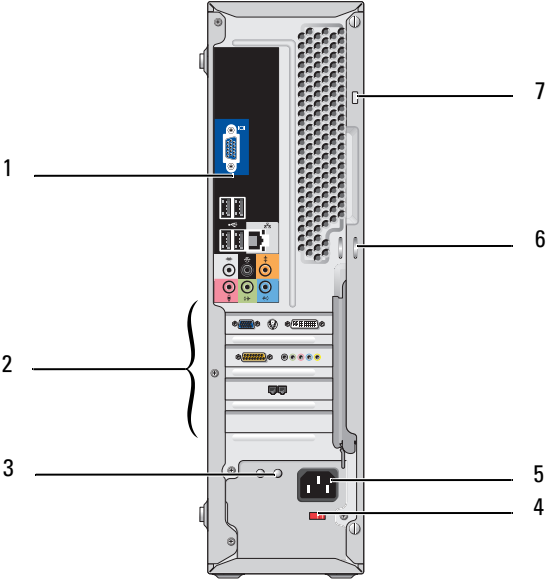
Setting Up and Using Your Computer

Front View of the Computer



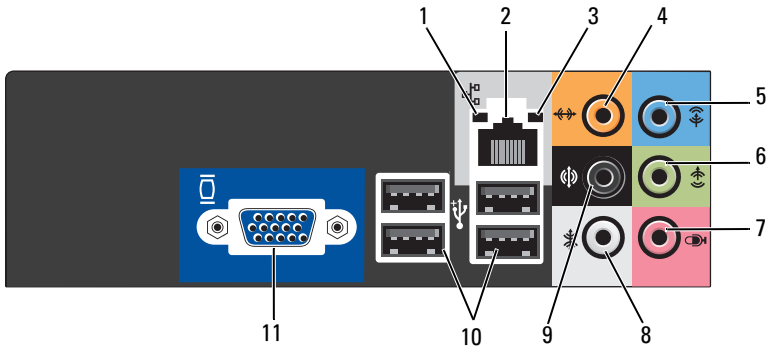
1	Service Tag (located on top of the chassis towards the rear)	Use the Service Tag to identify your computer when you access the Dell Support website or call technical support.
2	FlexBay open/close	Press here to open or close the floppy/media card reader panel.
3	CD or DVD eject button	Press to eject a disk from the CD or DVD drive.
4	CD or DVD drive panel	This panel covers the CD or DVD drive.
5	FlexBay drive panel	Can contain an optional floppy drive or optional Media Card Reader. For information on using the Media Card Reader, see "Using a Media Card Reader (Optional)" on page 31.
6	power button, power light	Press the power button to turn on the computer. The light in the center of this button indicates power state (see "Controls and Lights" on page 170 for more information). NOTICE: To avoid losing data, do not use the power button to turn off the computer. Instead, perform an operating system shutdown.
7	USB 2.0 connectors (2)	Use the front USB connectors for devices that you connect occasionally, such as joysticks or cameras, or for bootable USB devices (see "System Setup Options" on page 173 for more information on booting to a USB device). It is recommended that you use the back USB connectors for devices that typically remain connected, such as printers and keyboards.
8	headphone connector	Use the headphone connector to attach headphones and most kinds of speakers.
9	microphone connector	Use the microphone connector to attach a personal computer microphone for voice or musical input into a sound or telephony program. On computers with a sound card, the microphone connector is on the card.
10	drive activity light	The drive activity light is on when the computer reads data from or writes data to the hard drive. The light might also be on when a device such as a CD player is operating.

Back View of the Computer



1	back panel connectors	Plug USB, audio, and other devices into the appropriate connector (see "Back Panel Connectors" on page 19 for more information).
2	card slots	Access connectors for any installed PCI and PCI Express cards.
3	power supply LED	Indicates power availability for power supply. NOTE: May or may not be available on your computer.
4	voltage selector switch	For selecting voltage rating.
5	power connector	Insert the power cable.
6	padlock rings	Padlock rings are for attaching a commercially available theft-deterrent device. The padlock rings allows you to secure the computer cover to the chassis with a padlock to prevent unauthorized access to the inside of the computer. To use the padlock rings, insert a commercially available padlock through the rings, and then lock the padlock.
7	security cable slot	Security cable slot lets you attach a commercially available antitheft device to the computer. For more information, see the instructions included with the device.

Back Panel Connectors



- 1 network activity light** Flashes a yellow light when the computer is transmitting or receiving network data. A high volume of network traffic may make this light appear to be in a steady "on" state.
- 2 network adapter connector** To attach your computer to a network or broadband device, connect one end of a network cable to either a network port or your network or broadband device. Connect the other end of the network cable to the network adapter connector on the back panel of your computer. A click indicates that the network cable has been securely attached.
NOTE: Do not plug a telephone cable into the network connector.
On computers with a network connector card, use the connector on the card.
It is recommended that you use Category 5 wiring and connectors for your network. If you must use Category 3 wiring, force the network speed to 10 Mbps to ensure reliable operation.
- 3 link integrity light**
 - Green — A good connection exists between the network and the computer.
 - Off — The computer is not detecting a physical connection to the network.

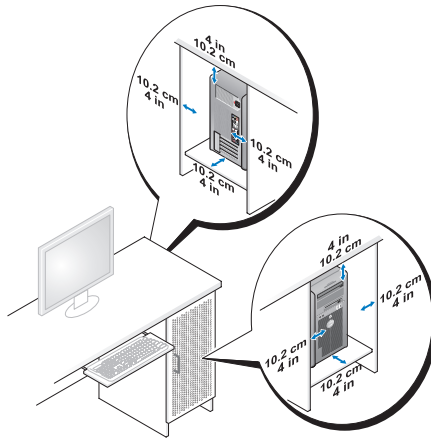
- 4 center/subwoofer connector** Use the orange connector to attach a speaker to a Low Frequency Effects (LFE) audio channel. LFE audio channel is found in digital surround sound audio schemes that carries only low frequency information of 80 Hz and below. The LFE channel drives a subwoofer to provide extremely low bass extension. Systems not using subwoofers can shunt the LFE information to the main speakers in the surround sound set-up.
- 5 line-in connector** Use the blue line-in connector to attach a record/playback device such as a cassette player, CD player, or VCR. On computers with a sound card, use the connector on the card.
- 6 front L/R line-out connector** Use the green line-out connector (available on computers with integrated sound) to attach headphones and most speakers with integrated amplifiers. On computers with a sound card, use the connector on the card.
- 7 microphone** Use the pink connector to attach a personal computer microphone for voice or musical input into a sound or telephony program. On computers with a sound card, the microphone connector is on the card.
- 8 side L/R surround connector** Use the gray connector to provide enhanced surround audio for computers with 7.1 speakers. On computers with a sound card, the microphone connector is on the card.
- 9 rear L/R surround connector** Use the black surround connector to attach multichannel-capable speakers.
- 10 USB 2.0 connectors (4)** Use the back USB connectors for devices that typically remain connected, such as printers and keyboards. It is recommended that you use the front USB connectors for devices that you connect occasionally, such as joysticks or cameras.
- 11 VGA video connector** Connect the monitor's VGA cable to the VGA connector on the computer. On computers with a video card, use the connector on the card.

Installing Your Computer in an Enclosure

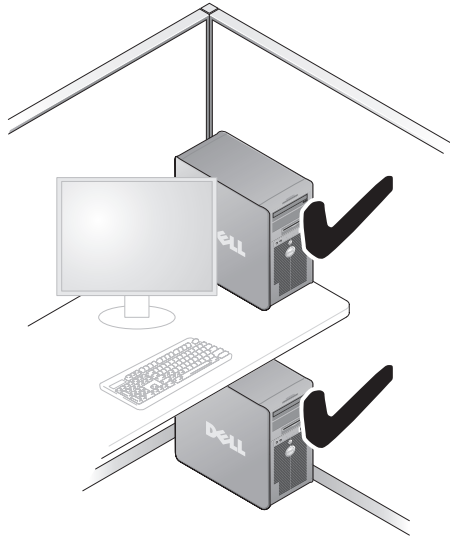
Installing your computer in an enclosure can restrict the airflow and impact your computer's performance, possibly causing it to overheat. Follow the guidelines below when installing your computer in an enclosure:

➔ **NOTICE:** The operating temperature specifications indicated in this manual reflect the maximum ambient operating temperature. The ambient room temperature needs to be a consideration when installing your computer in an enclosure. For example, if the ambient room temperature is at 25°C (77°F), depending on your computer's specifications, you only have 5° to 10°C (9° to 18°F) temperature margin before you reach your computer's maximum operating temperature. For details about your computer's specifications, see "Specifications" on page 167.

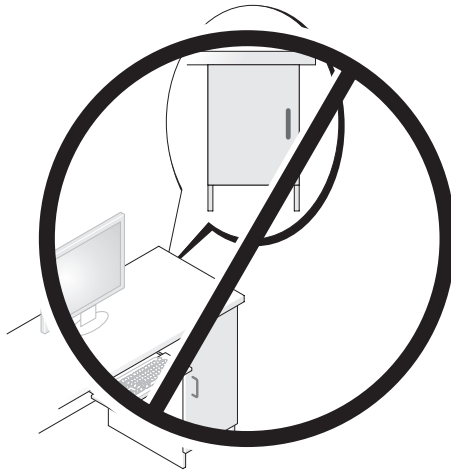
- Leave a 10.2 cm (4 inches) minimum clearance on all vented sides of the computer to permit the airflow required for proper ventilation.
- If your enclosure has doors, they need to be of a type that allows at least 30 percent airflow through the enclosure (front and back).



- If your computer is installed in a corner on a desk or under a desk, leave at least 5.1 cm (2 inches) clearance from the back of the computer to the wall to permit the airflow required for proper ventilation.



➔ **NOTICE:** Do not install your computer in an enclosure that does not allow airflow. Restricting the airflow impacts your computer's performance, possibly causing it to overheat.



Setting Up a Printer



NOTICE: Complete the operating system setup before you connect a printer to the computer.

See the documentation that came with the printer for setup information, including how to:

- Obtain and install updated drivers.
- Connect the printer to the computer.
- Load paper and install the toner or ink cartridge.

For technical assistance, refer to the printer owner's manual or contact the printer manufacturer.

Printer Cable

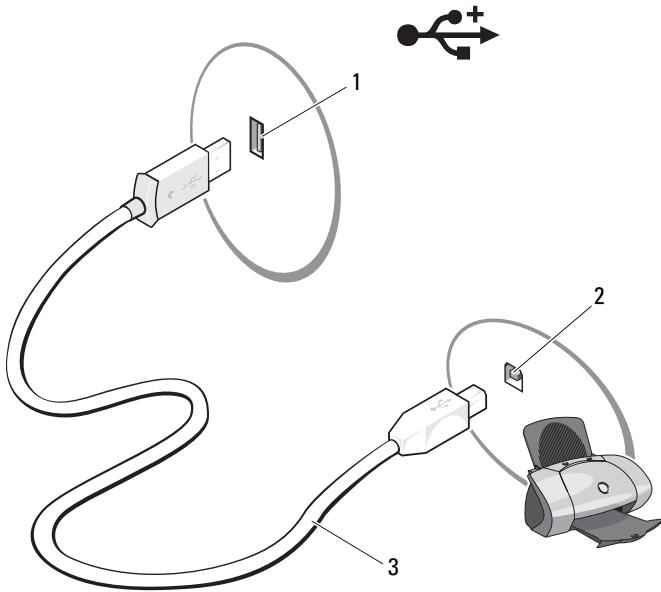
Your printer connects to your computer with either a USB cable or a parallel cable. Your printer may not come with a printer cable, so if you purchase a cable separately, ensure that it is compatible with your printer and computer. If you purchased a printer cable at the same time you purchased your computer, the cable may arrive in the computer's shipping box.

Connecting a USB Printer



NOTE: You can connect USB devices while the computer is turned on.

- 1 Complete the operating system setup if you have not already done so.
- 2 Attach the USB printer cable to the USB connectors on the computer and the printer. The USB connectors fit only one way.



1 USB connector on computer

2 USB connector on printer


3 USB printer cable

- 3 Turn on the printer and then turn on the computer.
- 4 Depending on your computer's operating system, a printer wizard may be available to help you install the printer driver:

Windows® XP

Click **Start** → **Control Panel** → **Printers and Faxes** → **Add a printer** to start the Add Printer Wizard

Windows Vista®

Click **Start**  and click **Network** → **Add a printer** to start the Add Printer Wizard.

- 5 Install the printer driver if necessary (see "Reinstalling Drivers and Utilities" on page 88 and the documentation that came with your printer).

Playing CDs and DVDs

- ➔ **NOTICE:** Do not press down on the CD or DVD tray when you open or close it. Keep the tray closed when you are not using the drive.
- ➔ **NOTICE:** Do not move the computer when you are playing CDs or DVDs.
 - 1 Press the eject button on the front of the drive.
 - 2 Place the disc, label side out, in the center of the tray.











- 3 Ensure that the lower edge of the CD or DVD is seated inside the lower lip of the tray.
- 4 Gently push in the tray.












To format CDs for storing data, to create music CDs, or to copy CDs, see the CD software that came with your computer.

- ✎ **NOTE:** Ensure that you follow all copyright laws when you create CDs.

A CD player includes the following basic buttons:

	Play
	Move backward within the current track
	Pause
	Move forward within the current track
	Stop
	Go to the previous track
	Eject
	Go to the next track

A DVD player includes the following basic buttons:

	Stop
	Restart the current chapter
	Play
	Fast forward
	Pause
	Fast reverse
	Advance a single frame while in pause mode
	Go to the next title or chapter
	Continuously play the current title or chapter
	Go to the previous title or chapter
	Eject

For more information on playing CDs or DVDs, click **Help** on the CD or DVD player (if available).

Adjusting the Volume




NOTE: When the speakers are muted, you do not hear the CD or DVD playing.

Windows XP:

- 1 Click the **Start** button, point to **All Programs**→**Accessories**→**Entertainment**, and then click **Volume Control**.
- 2 In the **Master Volume** control window, click and drag the bar in the **Master Volume** column and slide it up or down to increase or decrease the volume.

For more information on volume control options, click **Help** in the **Volume Control** window.

Windows Vista:

- 1 Click **Start** , point to **Control Panel**→**Hardware and Sound**→**Sound**, and then click **Adjust System Volume**.
- 2 In the **Volume Mixer** window, click and drag the bar in the **Speakers** column and slide it up or down to increase or decrease the volume.


Adjusting the Picture

If an error message notifies you that the current resolution and color depth are using too much memory and preventing DVD playback, adjust the display properties:

Windows XP:

- 1 Click the **Start** button, and then click **Control Panel**.
- 2 Under **Pick a category**, click **Appearance and Themes**.
- 3 Under **Pick a task...**, click **Change the screen resolution**.
- 4 In the **Display Properties** window, click and drag the bar in **Screen resolution** to change the setting to **800 by 600 pixels**.
- 5 Under **Color quality**, click the drop-down menu, and then click **Medium (16 bit)**.
- 6 Click **OK**.

Windows Vista:


- 1 Click **Start**  and click **Control Panel**.
- 2 Click **Appearance and Personalization**.

- 3 Under **Personalization**, click **Adjust screen resolution**.
- 4 In the **Display Settings** window, click and drag the bar in **Resolution** to change the setting to **800 by 600 pixels**.
- 5 Click the drop-down menu under **Colors**, and then click **Medium (16 bit)**.
- 6 Click **OK**.

Copying CDs and DVDs


 **NOTE:** Ensure that you observe all copyright laws when creating CDs or DVDs.

This section applies only to computers that have a CD-RW, DVD+/-RW, or CD-RW/DVD (combo) drive.


 **NOTE:** The types of CD or DVD drives offered by Dell may vary by country.

The following instructions explain how to make an exact copy of a CD or DVD. You can also use Sonic Digital Media for other purposes, such as creating music CDs from audio files stored on your computer or backing up important data. For help, open Sonic Digital Media and then click the question mark icon in the upper-right corner of the window.

How to Copy a CD or DVD

 **NOTE:** CD-RW/DVD combo drives cannot write to DVD media. If you have a CD-RW/DVD combo drive and you experience recording problems, check for available software patches on the Sonic support website at www.sonic.com.

The DVD-writable drives installed in Dell™ computers can write to and read DVD+/-R, DVD+/-RW, and DVD+R DL (dual layer) media, but cannot write to and may not read DVD-RAM or DVD-R DL media.

 **NOTE:** Most commercial DVDs have copyright protection and cannot be copied using Sonic DigitalMedia.

Windows® XP

- 1 Click the **Start** button, point to **All Programs**→ **Sonic**→ **DigitalMedia Projects**→ **Copy**→ **Disc Copy**.

2 To copy the CD or DVD:

- If you have one CD or DVD drive, ensure that the settings are correct and click the Disc Copy button. The computer reads your source CD or DVD and copies the data to a temporary folder on your computer hard drive.

When prompted, insert a blank CD or DVD into the drive and click OK.

- If you have two CD or DVD drives, select the drive into which you have inserted your source CD or DVD and click the Disc Copy button. The computer copies the data from the source CD or DVD to the blank CD or DVD.

Windows Vista®:

1 Click Start  → All Programs → Sonic → DigitalMedia Projects → Copy → Disc Copy.

2 To copy the CD or DVD:

- *If you have one CD or DVD drive*, ensure that the settings are correct and click the **Disc Copy** button. The computer reads your source CD or DVD and copies the data to a temporary folder on your computer hard drive.

When prompted, insert a blank CD or DVD into the drive and click OK.

- *If you have two CD or DVD drives*, select the drive into which you have inserted your source CD or DVD and click the **Disc Copy** button. The computer copies the data from the source CD or DVD to the blank CD or DVD.

Once you have finished copying the source CD or DVD, the CD or DVD that you have created automatically ejects.

Using Blank CDs and DVDs

CD-RW drives can write to CD recording media only (including high-speed CD-RW) while DVD-writable drives can write to both CD and DVD recording media.

Use blank CD-Rs to record music or permanently store data files. After creating a CD-R, you cannot write to that CD-R again (see the Sonic documentation for more information). Use blank CD-RWs to write to CDs or to erase, rewrite, or update data on CDs.

Blank DVD+/-Rs can be used to permanently store large amounts of information. After you create a DVD+/-R disc, you may not be able to write to that disc again if the disc is "finalized" or "closed" during the final stage of the disc creation process. Use blank DVD+/-RWs if you plan to erase, rewrite, or update information on that disc later.

CD-Writable Drives

Media Type	Read	Write	Rewritable
CD-R	Yes	Yes	No
CD-RW	Yes	Yes	Yes

DVD-Writable Drives

Media Type	Read	Write	Rewritable
CD-R	Yes	Yes	No
CD-RW	Yes	Yes	Yes
DVD+R	Yes	Yes	No
DVD-R	Yes	Yes	No
DVD+RW	Yes	Yes	Yes
DVD-RW	Yes	Yes	Yes
DVD+R DL	Yes	Yes	No

Helpful Tips

- Use Microsoft® Windows® Explorer to drag and drop files to a CD-R or CD-RW only after you start Sonic DigitalMedia and open a DigitalMedia project.
- Use CD-Rs to burn music CDs that you want to play in regular stereos. CD-RWs do not play in most home or car stereos.
- You cannot create audio DVDs with Sonic Digital Media.
- Music MP3 files can be played only on MP3 players or on computers that have MP3 software installed.

- Commercially available DVD players used in home theater systems may not support all available DVD formats. For a list of formats supported by your DVD player, see the documentation provided with your DVD player or contact the manufacturer.
- Do not burn a blank CD-R or CD-RW to its maximum capacity; for example, do not copy a 650-MB file to a blank 650-MB CD. The CD-RW drive needs 1–2 MB of the blank space to finalize the recording.
- Use a blank CD-RW to practice CD recording until you are familiar with CD recording techniques. If you make a mistake, you can erase the data on the CD-RW and try again. You can also use blank CD-RWs to test music file projects before you record the project permanently to a blank CD-R.

See the Sonic website at www.sonic.com for additional information.

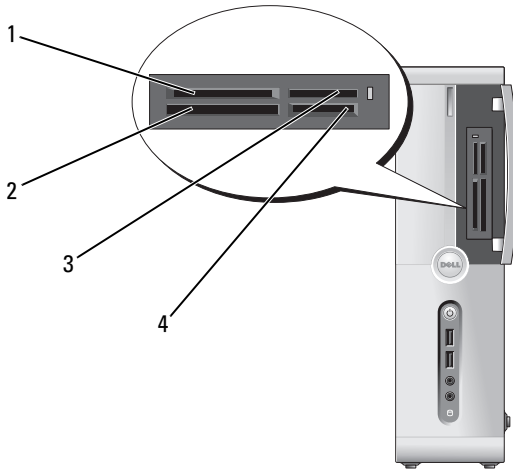
Using a Media Card Reader (Optional)

Use the Media Card Reader to transfer data directly to your computer.

The Media Card Reader supports the following memory types:

- xD-Picture Card
- SmartMedia (SMC)
- CompactFlash Type I and II (CF I/II)
- MicroDrive Card
- SecureDigital Card (SD)
- MultiMediaCard (MMC)
- Memory Stick (MS/MS Pro)

For information on installing a Media Card Reader, see "Installing a Media Card Reader" on page 139.




- | | |
|----------------------------------------|------------------------------------------------------------|
| 1 xD-Picture Card and SmartMedia (SMC) | 2 CompactFlash Type I and II (CF I/II) and MicroDrive Card |
| 3 Memory Stick (MS/MS Pro) | 4 SecureDigital Card (SD)/ MultiMediaCard (MMC) |


To use the Media Card Reader:

- 1 Check the media or card to determine the proper orientation for insertion.
- 2 Slide the media or card into the appropriate slot until it is completely seated in the connector. If you encounter resistance, do not force the media or card. Check the card orientation and try again.

Connecting Two Monitors


 **CAUTION:** Before you begin any of the procedures in this section, follow the safety instructions in the *Product Information Guide*.

If you purchased a graphics card that supports dual monitors, follow these instructions to connect and enable your monitors. The instructions tell you how to connect either two monitors (each with a VGA connector), one monitor with a VGA connector and one monitor with a DVI connector, or a TV.

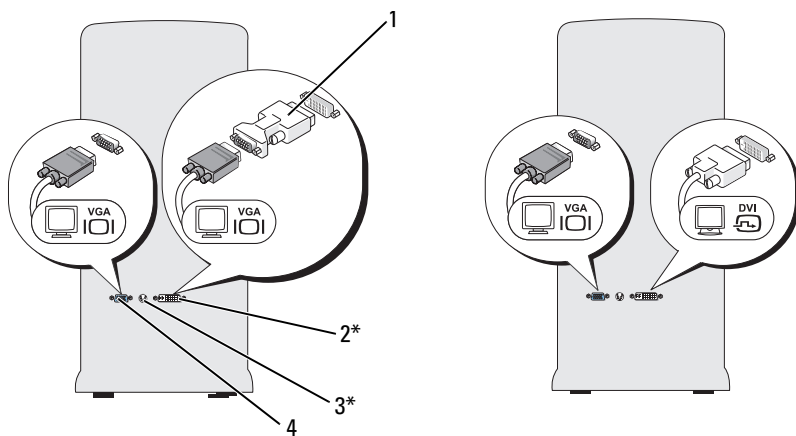
 **NOTICE:** If you are connecting two monitors that have VGA connectors, you must have the optional DVI adapter to connect the cable. If you are connecting two flat-panel monitors, at least one of them must have a VGA connector. If you are connecting a TV, you may connect only one monitor (VGA or DVI) in addition to the TV.

Connecting Two Monitors With VGA Connectors

- 1 Follow the procedures in "Before You Begin" on page 101.

 **NOTE:** The integrated video card is disabled when an add-on graphics card is installed. The integrated video card port is capped when the port is disabled. Do not remove the cap to connect a monitor. The monitor will not function.

- 2 Connect one of the monitors to the VGA (blue) connector on the back of the computer.
- 3 Connect the other monitor to the optional DVI adapter and connect the DVI adapter to the DVI (white) connector on the back of the computer.



*May not be present on your computer

- | | |
|------------------------|-------------------------|
| 1 optional DVI adapter | 2 DVI (white) connector |
| 3 TV-OUT connector | 4 VGA (blue) connector |

Connecting One Monitor With a VGA Connector and One Monitor With a DVI Connector

- 1 Follow the procedures in "Before You Begin" on page 101.
- 2 Connect the VGA connector on the monitor to the VGA (blue) connector on the back of the computer.
- 3 Connect the DVI connector on the other monitor to the DVI (white) connector on the back of the computer.

Connecting a TV

NOTE: You must purchase an S-video cable, available at most consumer electronics stores, to connect a TV to your computer. It is not included with your computer.

- 1 Follow the procedures in "Before You Begin" on page 101.
- 2 Connect one end of the S-video cable to the optional TV-OUT connector on the back of the computer.
- 3 Connect the other end of the S-video cable to the S-video input connector on your TV.
- 4 Connect the VGA or DVI monitor.

Changing the Display Settings

- 1 After you connect the monitor(s) or TV, turn on the computer.
The Microsoft® Windows® desktop displays on the primary monitor.
- 2 Enable clone mode or extended desktop mode in the display settings.
 - In clone mode, both monitors display the same image.
 - In extended desktop mode, you can drag objects from one screen to the other, effectively doubling the amount of viewable work space.

For information on changing the display settings for your graphics card, see the user's guide in the **Help and Support Center**.

Power Management

Power Management Options in Microsoft® Windows® XP

The Microsoft Windows XP power management features can reduce the amount of electricity your computer uses when it is on and you are not using it. You can reduce power to just the monitor or the hard drive, or you can use standby mode or hibernate mode to reduce power to the entire computer.

When the computer exits from a power conservation mode, it returns to the operating state it was in prior to entering the mode.



NOTE: Windows XP Professional includes security and networking features not available in Windows XP Home Edition. When a Windows XP Professional computer is connected to a network, different options related to security and networking appear in certain windows.




NOTE: The procedures to activate the standby and hibernate modes may vary according to your operating system.

Standby Mode

Standby mode conserves power by turning off the display and the hard drive after a designated period of time, known as a time-out. When the computer exits from standby mode, it returns to the operating state it was in prior to entering standby mode.



NOTE: If your computer loses power while in standby mode, it may lose data.

-  **NOTICE:** The graphics card in your computer is installed in the PCI Express x16 slot. When there is a card in this slot and you add a peripheral that does not support s3 suspend, your computer will not enter standby mode.

To set standby mode to automatically activate after a defined period of inactivity:

- 1 Click the **Start** button, then click **Control Panel**.
- 2 Define your standby settings on the **Power Schemes Tab** and **Advanced Tab**.

To immediately activate standby mode without a period of inactivity, click the **Start** button, click **Turn Off Computer**, and then click **Stand by**.

To exit from standby mode, press a key on the keyboard or move the mouse.

Hibernate Mode

Hibernate mode conserves power by copying system data to a reserved area on the hard drive, and then completely turning off the computer. When the computer exits from hibernate mode, the desktop is restored to the state it was in prior to entering hibernate mode.

To activate hibernate mode:

- 1 Click **Start**→ **Control Panel**→ **Pick a category**→ **Performance and Maintenance**.
- 2 Under or pick a **Control Panel** icon, click **Power Options**.
- 3 Define your hibernate settings on the **Power Schemes tab**, **Advanced tab**, and **Hibernate tab**.

To exit from hibernate mode, press the power button. The computer may take a short time to exit from hibernate mode. Because the keyboard and mouse do not function in hibernate mode, pressing a key on the keyboard or moving the mouse does not bring the computer out of hibernation.

Because hibernate mode requires a special file on your hard drive with enough disk space to store the contents of the computer memory, Dell creates an appropriately sized hibernate mode file before shipping the computer to you. If the computer's hard drive becomes corrupted, Windows XP recreates the hibernate file automatically.

Power Options Properties

Define your standby mode settings, hibernate mode settings, and other power settings in the Power Options Properties window. To access the Power Options Properties window:

- 1 Click **Start**→ **Control Panel**→ **Pick a category**→ **Performance and Maintenance**.
- 2 Under or pick a **Control Panel** icon, click **Power Options**.
- 3 Define your power settings on the **Power Schemes** tab, **Advanced** tab, and **Hibernate** tab.

Power Schemes Tab

Each standard power setting is called a scheme. If you want to select one of the standard Windows schemes installed on your computer, choose a scheme from the Power schemes drop-down menu. The settings for each scheme appear in the fields below the scheme name. Each scheme has different settings for starting standby mode, hibernate mode, turning off the monitor, and turning off the hard drive.



NOTICE: If you set the hard drive to time-out before the monitor does, your computer may appear to be locked up. To recover, press any key on the keyboard or click the mouse. To avoid this problem, always set the monitor to timeout before the hard drive.

The Power schemes drop-down menu displays the following schemes:

- **Always On (default)** — If you want to use your computer with no power conservation.
- **Home/Office Desk** — If you want your home or office computer to run with little power conservation.
- **Portable/Laptop** — If your computer is a portable computer that you use for traveling.
- **Presentation** — If you want your computer to run without interruption (using no power conservation).
- **Minimal Power Management** — If you want your computer to run with minimal power conservation.
- **Max Battery** — If your computer is a portable computer and you run your computer from batteries for extended periods of time.

If you want to change the default settings for a scheme, click the drop-down menu in the Turn off monitor, Turn off hard disks, System stand by, or System hibernates field, and then select a time-out from the displayed list.

Changing the time-out for a scheme field permanently changes the default settings for that scheme, unless you click Save As and enter a new name for the changed scheme.

Advanced Tab

The Advanced tab allows you to:

- Place the power options icon in the Windows taskbar for quick access.
- Set the computer to prompt you for your Windows password before the computer exits from standby mode or hibernate mode.
- Program the power button to activate standby mode, activate hibernate mode, or turn off the computer.

To program these functions, click an option from the corresponding drop-down menu and click **OK**.

Hibernate Tab

The **Hibernate** tab allows you to enable hibernate mode. If you want to use the hibernate settings as defined on the **Power Schemes** tab, click the **Enable hibernate support** check box on the **Hibernate** tab.

For more information on power management options:

- 1 Click **Start**→ **Help and Support**→ **Performance and maintenance**.

In the **Performance and maintenance** window, click **Conserving power on your computer**.

Power Management Options in Windows Vista®

The Windows Vista power management features are designed to reduce the amount of electricity your computer uses when it is on and you are not using it. You can reduce power to just the monitor or the hard drive, and Windows Vista sets the default "off" state to standby mode or you can set hibernate mode to reduce power even further.

When the computer exits from a power conservation mode (Standby or Hibernate), the Windows desktop is restored to the state it was in before it entered the mode.

Windows Vista has three main default power management modes:


- Balanced
- Power Saver
- High Performance

Dell has added a fourth, **Dell-Recommended mode** that sets power management to the most typical settings for the majority of our customers. This is the active Power Plan.

Standby Mode


Standby mode is the default "off" state for Windows Vista. Standby mode conserves power by turning off the display and the hard drive after a time-out. When the computer exits from standby mode, it returns to the operating state it was in before it entered standby mode.

To set standby mode to automatically activate after a defined period of inactivity:


- 1** Click **Start**  and click **Control Panel**.
- 2** Under **Pick a category**, click **System and Maintenance**.
- 3** Under **System and Maintenance**, click **Power Options**.

The next dialog box shows three power plans — the top option is **Dell Recommended** — this is the currently active plan.

There is also a **show additional plans** arrow underneath the three power plans. You can have many power plans, but only three are displayed and the top one is the active plan.

To immediately activate standby mode without a period of inactivity, click **Start** , then click the **off** button icon. Windows Vista sets **Standby** as the default off state.


To exit from standby mode, press a key on the keyboard or move the mouse.

 **NOTICE:** If your computer loses power while in standby mode, it may lose data. Windows Vista has a new feature called **Hybrid Sleep** mode - this saves the data into a file and also puts the system into standby. If you lose power, the system retains your data on the hard drive and resumes to the same state you left it. Go to **Help and Support** and search for **Hybrid Sleep** for further information. **Hybrid Sleep** provides fast wake if the system is in standby, but also keeps your data safe by storing it to the hard drive.

Hibernate Mode

Hibernate mode conserves power by copying system data to a reserved area on the hard drive and then completely turning off the computer. When the computer exits from hibernate mode, the desktop is restored to the state it was in before it entered hibernate mode. Windows Vista may mask **Hibernate** from the user if **Hybrid Sleep** is enabled. See **Help and Support** for further information - search for **Hibernate**.

To activate hibernate mode immediately (if available):

- 1 Click **Start**  and click the **arrow** (pointing to the right) beside the **lock** icon.
- 2 Select **Hibernate** from the list.

To exit from hibernate mode, press the power button. The computer may take a short time to exit from hibernate mode. Pressing a key on the keyboard or moving the mouse does not bring the computer out of hibernation, because the keyboard and the mouse do not function when the computer is in hibernate mode.

Because hibernate mode requires a special file on your hard drive with enough disk space to store the contents of the computer memory, Dell creates an appropriately sized hibernate mode file before shipping the computer to you. If the computer's hard drive becomes corrupted, Windows Vista recreates the hibernate file automatically.

Power Plan Properties

Define your standby mode settings, display mode settings, hibernate mode settings (if available), and other power settings in the **Power Plan Properties** window. To access the **Power Plan Properties** window:

- 1 Click **Start**  and click **Control Panel**.
- 2 Under **Pick a category**, click **System and Maintenance**.

- 3 Under **System and Maintenance**, click **Power Options**. This takes you to the main **Select a Power Plan** window.
- 4 In the **Select A Power Plan** window, you can change or modify power settings.


Power Management Modes

Windows Vista has three main default power management modes:

- **Balanced**
- **Power Saver**
- **High Performance**

Dell has added a fourth **Dell-Recommended** mode that sets power management to the most typical settings for the majority of our customers. This is the active Power Plan for all Dell shipping configurations.

To change the default settings for a plan:

- 1 Click **Start**  and click **Control Panel**.
- 2 Under **Pick a category**, click **System and Maintenance**.
- 3 Under **System and Maintenance**, click **Power Options**.

A number of options are available on the left-hand side of the **Power Options** dialog box.

Click **Change Plan Settings** just below any of the power plans to change settings such as:

- Require a password on wakeup.
- Choose what power buttons do.
- Create a power plan (you can choose the settings you want and create a custom power plan here).
- Choose when to turn off the display
- Change when the computer sleeps.


Advanced Tab

The Advanced tab allows you to set many different settings beyond the basic ones above. If you do not know or are not sure what to set, then leave settings at the default. To access the advanced settings:

- 1 Choose the **Power Plan** you want to change.
- 2 Click **Change Plan Settings** from just below the plan name.
- 3 Click **Change Advanced Power Settings**.



CAUTION: There are many different settings in the Power Options, Advanced Settings dialog box. Use care when making setting changes.

Click **Start**  and then click **Help and Support** to explore the capabilities of the advanced settings.

Enabling Cool 'n' Quiet Technology

Cool 'n' Quiet™ technology controls your computer's processor performance automatically, dynamically adjusting the operating frequency and voltage, according to the task at hand. When an application does not require full performance, significant amounts of power can be saved. Performance is designed to still be responsive, with maximum processor performance being delivered when required, and automatic power savings when possible.

Windows® XP:

- 1 Enter system setup (see "System Setup" on page 172).
- 2 Select **Cool and Quiet** from the **Power Management** group, and change the setting to **On**.
- 3 Click on the **Start**→**Settings**→**Control Panel**→**Power Options** to access the **Power Options Properties** window.
- 4 From the **Power Schemes** tab, click the Power Schemes drop-down menu and select **Minimal Power Management** and then click **OK**.

Cool 'n' Quiet technology is now enabled.

Windows Vista®:

Windows Vista automatically sets AMD™ Cool 'n' Quiet technology in the **Dell Recommended**, **Balanced**, and **Power Saver** power plans. It is disabled in the **High Performance** power plan.

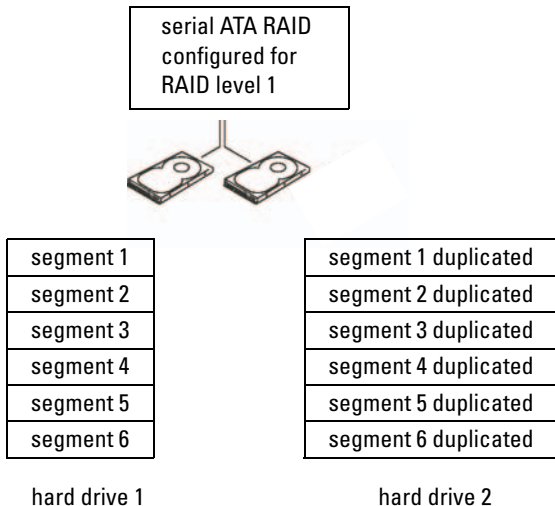
About RAID Configurations (For Windows Vista® only)

This section provides an overview of the RAID configuration you may have selected when you purchased your computer. Your computer supports RAID level 1. A RAID level 1 is recommended for users that desire a high level of data integrity.

The drives in a RAID configuration should be the same size in order to ensure that the larger drive does not contain unallocated (and therefore unusable) space.

RAID Level 1 Configuration

RAID level 1 uses a data-redundancy storage technique known as mirroring to enhance data integrity. When data is written to the primary drive, the data is also duplicated, or mirrored, on the second drive in the configuration. A RAID level 1 configuration sacrifices high data-access rates for its data redundancy advantages.



If a drive failure occurs, subsequent read and write operations are directed to the surviving drive. A replacement drive can then be rebuilt using the data from the surviving drive.



NOTE: In a RAID level 1 configuration, the size of the configuration is equal to the size of the smallest drive in the configuration.

Configuring Your Hard Drives for RAID

Your computer can be configured for RAID, even if you did not select a RAID configuration when the computer was purchased. For an explanation of RAID levels and their requirements, see "About RAID Configurations (For Windows Vista® only)" on page 43. For information on how to install a hard drive, see "Hard Drives" on page 126.

To configure RAID hard drive volumes use the Nvidia MediaShield ROM utility before you install the operating system onto the hard drive.

Ensure that you set your computer to RAID-enabled mode before you begin.

Setting Your Computer to RAID-Enabled Mode


- 1 Enter the system setup (see "Entering System Setup" on page 172).
- 2 Press the left- and right-arrow keys to **Advanced** tab.
- 3 Press the up- and down-arrow keys to highlight the **Integrated Peripherals**, then press <Enter>.
- 4 Press the up- and down-arrow keys to highlight the **Serial-ATA Configuration**, then press <Enter>.
- 5 Press the up- and down-arrow keys to highlight **RAID Enabled**, and then press <Enter>.
- 6 Press the up- and down-arrow keys to select **Enabled**, and then press <Enter>.



NOTE: For more information about RAID options, see "System Setup Options" on page 173.

- 7 Enable the corresponding "SATA in Primary or second RAID" where your hard drives are connected
- 8 Press the up- and down-arrow keys to select **Enabled**, and then press <Enter>. Press **F10** key and then press <Enter> to exit system setup and resume the boot process.

Using the Nvidia MediaShield ROM Utility

-  **NOTICE:** The following procedure will result in the loss of all data on your hard drive(s). Back up any data you want to keep before continuing.

Hard drives of any size may be used to create a RAID configuration. Ideally, however, the drives should be of equal size to avoid unallocated or unused space. For an explanation of RAID levels and their requirements, see "About RAID Configurations (For Windows Vista® only)" on page 43. For information on how to install a hard drive, see "Installing a Hard Drive" on page 128.

- 1 Enable RAID for each applicable hard drive on your computer (see "Setting Your Computer to RAID-Enabled Mode" on page 44).
- 2 Restart the computer.
- 3 Press <F10> when prompted to enter the RAID BIOS.



NOTE: If the operating system logo appears, continue to wait until you see the Microsoft Windows desktop, then shut down your computer and try again.

The **Define a New Array** window appears.

- 4 Press <Tab> to navigate to the **RAID Mode** field.

To create a RAID 1 configuration, use the arrow keys to select **Mirroring**.

- 5 Press <Tab> to navigate to the **Free Disks** field.

- 6 Use the up- and down-arrow keys to select a hard drive to include in the RAID array and then use the right-arrow key to move the selected drive from the **Free Disks** field to the **Array Disks** field. Repeat for each disk you want to include in the RAID array.



NOTE: Your computer supports a maximum of two drives per RAID 1 array.

- 7 After assigning the hard drives to an array, press <F9>.

The **Clear disk data** prompt appears.



NOTICE: You will lose all data on the selected drives in the next step.

- 8 Press <Y> to clear all data from the selected drives.

The **Array List** window appears.

- 9 To review the details of the array that you set up, use the arrow keys to highlight the array in the **Array Detail** window and press <Enter>.

The **Array Detail** window appears.



NOTE: To delete an array, use the arrow keys to select the array and press <D>.

- 10 Press <Enter> to return to the previous screen.
- 11 Press <Ctrl><X> to exit the RAID BIOS.

Using Nvidia MediaShield

Nvidia MediaShield allows you to view and manage RAID configurations.

Rebuilding a RAID Configuration

If one of the hard drives in a RAID array fails, you can rebuild the array by restoring the data to a replacement drive.



NOTE: Rebuilding an array can only be performed on RAID 1 configurations.

- 1 Launch Nvidia MediaShield.
- 2 Click to select your RAID configuration (**Mirroring**) in the management utility window.
- 3 Select **Rebuild Array** in the **System Tasks** pane.
The **NVIDIA Rebuild Array Wizard** appears.
- 4 Click **Next**.
- 5 Select the hard drive you want to rebuild by clicking the checkbox beside it.
- 6 Click **Next**.
- 7 Click **Finish**.

The MediaShield RAID management utility window appears and displays the status of the rebuild process.



NOTE: You can use your computer while the computer is rebuilding the array.



NOTE: You can use any available (RAID-enabled) free disk to rebuild an array.

Transferring Information to a New Computer

You can use your operating system "wizards" to help you transfer files and other data from one computer to another—for example, from an *old* computer to a *new* computer. For instructions, see the following section that corresponds to the operating system your computer is running.

Windows[®] XP:

The Microsoft Windows XP operating system provides the Files and Settings Transfer Wizard to move data from a source computer to a new computer.

You can transfer data, such as:

- E-mail messages
- Toolbar settings
- Window sizes
- Internet bookmarks

To prepare the new computer for the file transfer:

- 1** Click **Start**, point to **All Programs**→**Accessories**→**System Tools**, and then click **Files and Settings Transfer Wizard**.

The **Files and Settings Transfer Wizard** welcome screen appears.

- 2** Click **Next**.
- 3** On the **Which computer is this?** screen, click **New Computer**, and then click **Next**.
- 4** On the **Do you have a Windows XP CD?** screen, click **I will use the wizard from the Windows XP CD**, and then click **Next**.
- 5** When the **Now go to your old computer** screen appears, go to the source (old) computer that contains the data to be transferred. *Do not click Next* at this time.

To copy data from the source computer:

- 1** On the source computer, insert the *Windows XP Operating System* CD.
- 2** On the **Welcome to Microsoft Windows XP** screen, click **Perform additional tasks**
- 3** Under **What do you want to do?**, click **Transfer files and settings**.
- 4** On the **Files and Settings Transfer Wizard** welcome screen, click **Next**.

- 5 On the **Which computer is this?** screen, click **Old Computer**, and then click **Next**.
- 6 On the **Select a transfer method** screen, click the transfer method of your preference.
- 7 On the **What do you want to transfer?** screen, select the items you want to transfer, then click **Next**.
- 8 After the information has been copied, the **Completing the Collection Phase** screen appears.
- 9 Click **Finish**.

To transfer data to the new computer:

- 1 On the **Now go to your old computer** screen on the new computer, click **Next**.
- 2 On the **Where are the files and settings?** screen, select the method you chose for transferring your files and settings, and then click **Next**.
- 3 The wizard reads the collected files and settings and applies them to your new computer.
- 4 When all of the settings and files have been applied, the **Finished** screen appears.
- 5 Click **Finished** and restart the computer.


Windows Vista[®]:

The Windows Vista operating system provides the Windows Easy Transfer wizard to move data from a source computer to a new computer. You can transfer data, such as:

- User account
- Files and folders
- Program settings
- Internet settings and favorites
- E-mail settings, contacts, and messages

You can transfer the data to the new computer over a network or serial connection, or you can store it on removable media, such as a writable CD, for transfer to the new computer.


There are two ways to access the Windows Easy Transfer wizard:

- 1 When Vista setup is completed, you will see the Vista Welcome Center. One icon in the Welcome Center is **Transfer Files and Settings**. Click this icon to start Windows Easy Transfer.
- 2 If the Welcome Center dialog box has been closed, you can access Windows Easy Transfer by clicking **Start**  → **All Programs** → **Accessories** → **System Tools** → **Windows Easy Transfer**.

Double-click the **Windows Easy Transfer** icon to begin the process.

Setting Up a Home and Office Network

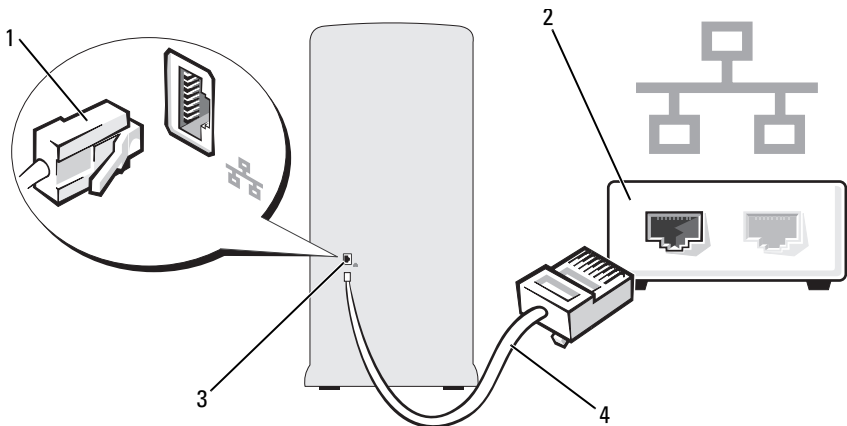
Connecting to a Network Adapter

 **NOTICE:** Plug the network cable into the network adapter connector on the computer. Do not plug the network cable into the modem connector on the computer. Do not plug a network cable into a telephone wall jack.

- 1 Connect the network cable to the network adapter connector on the back of your computer.

Insert the cable until it clicks into place, and then gently pull it to ensure that it is secure.

- 2 Connect the other end of the network cable to a network device.




- | | |
|-----------------------------------------|------------------|
| 1 network adapter connector | 2 network device |
| 3 network adapter connector on computer | 4 network cable |



Network Setup Wizard

The Microsoft® Windows® operating system provides a Network Setup Wizard to guide you through the process of sharing files, printers, or an Internet connection between computers in a home or small office.

Windows XP:

- 1 Click **Start**, point to **All Programs**→ **Accessories**→ **Communications**, and then click **Network Setup Wizard**.
- 2 On the welcome screen, click **Next**.
- 3 Click **Checklist for creating a network**.
 **NOTE:** Selecting the connection method **This computer connects directly to the Internet** enables the integrated firewall provided with Windows XP SP1.
- 4 Complete the checklist and required preparations.
- 5 Return to the Network Setup Wizard and follow the instructions on the screen.

Windows Vista®:

- 1 Click **Start**  and then click **Network**.
- 2 This brings up the Network dialog screen. Click **Network and Sharing Center**.
 **NOTE:** This screen also provides links to **Add a Printer** and to **Add a Wireless Device** (if available).
- 3 This will bring up the Network and Sharing Center dialog screen - click **Set up a connection or network** from the list of tasks on the left-hand side of this dialog screen.
- 4 From a list of tasks to choose from, such as, **Connect to the Internet**, **Set Up a wireless router or access point** and more. Choose the task most appropriate for your network and follow the on-screen prompts.

For more information, access **Help and Support** - use the search term **Network**.

Connecting to the Internet



NOTE: ISPs and ISP offerings vary by country.

To connect to the Internet, you need a modem or network connection and an Internet service provider (ISP). Your ISP will offer one or more of the following Internet connection options:

- DSL connections that provide high-speed Internet access through your existing telephone line or cellular telephone service. With a DSL connection, you can access the Internet and use your telephone on the same line simultaneously.
- Cable modem connections that provide high-speed Internet access through your local cable TV line.
- Satellite modem connections that provide high-speed Internet access through a satellite television system.
- Dial-up connections that provide Internet access through a telephone line. Dial-up connections are considerably slower than DSL and cable (or satellite) modem connections.
- Wireless LAN connections that provide Internet access using Bluetooth® wireless technology.


If you are using a dial-up connection, connect a telephone line to the modem connector on your computer and to the telephone wall jack before you set up your Internet connection. If you are using a DSL or cable/satellite modem connection, contact your ISP or cellular telephone service for setup instructions.


Setting Up Your Internet Connection

To set up an Internet connection with a provided ISP desktop shortcut:

- 1 Save and close any open files, and exit any open programs.
- 2 Double-click the ISP icon on the Microsoft® Windows® desktop.
- 3 Follow the instructions on the screen to complete the setup.


If you do not have an ISP icon on your desktop or if you want to set up an Internet connection with a different ISP, perform the steps in the following section that corresponds to the operating system your computer is using.

 **NOTE:** If you are having problems connecting to the Internet, see "E-Mail, Modem, and Internet Problems" on page 58." If you cannot connect to the Internet but have successfully connected in the past, the ISP might have a service outage. Contact your ISP to check the service status, or try connecting again later.

 **NOTE:** Have your ISP information ready. If you do not have an ISP, the **Connect to the Internet** wizard can help you get one.


Windows XP:

- 1 Save and close any open files, and exit any open programs.
- 2 Click the **Start** button, then click **Internet Explorer**.
The **New Connection Wizard** appears.
- 3 Click **Connect to the Internet**.
- 4 In the next window, click the appropriate option:
 - If you do not have an ISP and want to select one, click **Choose from a list of Internet service providers (ISPs)**.
 - If you have already obtained setup information from your ISP but you did not receive a setup CD, click **Set up my connection manually**.
 - If you have a CD, click **Use the CD I got from an ISP**.

 **NOTE:** If you do not know which type of connection to select, contact your ISP.

- 5 Click **Next**.
If you selected **Set up my connection manually**, continue to step 6. Otherwise, follow the instructions on the screen to complete the setup.
- 6 Click the appropriate option under **How do you want to connect to the Internet?**, and then click **Next**.
- 7 Use the setup information provided by your ISP to complete the setup.

Windows Vista®:

- 1 Save and close any open files, and exit any open programs.
- 2 Click **Start**  and click **Control Panel**

3 Under **Network and Internet**, click **Connect to the Internet**.

The **Connect to the Internet** window appears.

4 Click either **Broadband (PPPoE)** or **Dial-up**, depending on how you want to connect:


- Choose **Broadband** if you will use a DSL, satellite modem, cable TV modem, or Bluetooth wireless technology connection.
- Chose **Dial-up** if you will use a dial-up modem or ISDN.



NOTE: If you do not know which type of connection to select, click **Help me choose** or **contact your ISP**.

5 Follow the instructions on the screen and use the setup information provided by your ISP to complete the setup.

Solving Problems


 **CAUTION:** Some of the parts described in this chapter may be replaceable by a certified service technician only and are not custom replaceable.

Troubleshooting Tips

Follow these tips when you troubleshoot your computer:

- If you added or removed a part before the problem started, review the installation procedures and ensure that the part is correctly installed.
- If a peripheral device does not work, ensure that the device is properly connected.
- If an error message appears on the screen, write down the exact message. This message may help technical support personnel diagnose and fix the problem.
- If an error message occurs in a program, see the program's documentation.

Battery Problems

 **CAUTION:** There is a danger of a new battery exploding if it is incorrectly installed. Replace the battery only with the same or equivalent type recommended by the manufacturer. Discard used batteries according to the manufacturer's instructions.

 **CAUTION:** Before you begin any of the procedures in this section, follow the safety instructions in the *Product Information Guide*.

REPLACE THE BATTERY — If you have to repeatedly reset time and date information after turning on the computer, or if an incorrect time or date displays during start-up, replace the battery (see "Replacing the Battery" on page 144). If the battery still does not work properly, contact Dell (see "Getting Help" on page 183).

Drive Problems




CAUTION: Before you begin any of the procedures in this section, follow the safety instructions in the *Product Information Guide*.

ENSURE THAT MICROSOFT® WINDOWS® RECOGNIZES THE DRIVE —

Windows XP:

Click **Start** and click **My Computer**.

Windows Vista®:

Click **Start**  and click **Computer**.

If the floppy, CD, or DVD drive, is not listed, perform a full scan with your antivirus software to check for and remove viruses. Viruses can sometimes prevent Windows from recognizing the drive.

ENSURE THAT THE DRIVE IS ENABLED IN THE SYSTEM SETUP PROGRAM — See "System Setup" on page 172.

TEST THE DRIVE —

- Insert another floppy disk, CD, or DVD to eliminate the possibility that the original one is defective.
- Insert bootable media and restart the computer.

CLEAN THE DRIVE OR DISK — See "Cleaning Your Computer" on page 179.

CHECK THE CABLE CONNECTIONS

RUN THE HARDWARE TROUBLESHOOTER — See "Resolving Software and Hardware Incompatibilities" on page 91.

RUN THE DELL DIAGNOSTICS — See "Starting the Dell Diagnostics From Your Hard Drive" on page 84.

CD and DVD drive problems



NOTE: High-speed CD or DVD drive vibration is normal and may cause noise, which does not indicate a defect in the drive or the CD or DVD.



NOTE: Because of different regions worldwide and different disc formats, not all DVD titles work in all DVD drives.

ADJUST THE WINDOWS VOLUME CONTROL —

- Click the speaker icon in the lower-right corner of your screen.
- Ensure that the volume is turned up by clicking the sidebar and dragging it up.
- Ensure that the sound is not muted by clicking any boxes that are checked.

CHECK THE SPEAKERS AND SUBWOOFER — See "Sound and Speaker Problems" on page 74.

Problems writing to a CD/DVD-RW drive


CLOSE OTHER PROGRAMS — The CD/DVD-RW drive must receive a steady stream of data when writing. If the stream is interrupted, an error occurs. Try closing all programs before you write to the CD/DVD-RW.

TURN OFF STANDBY MODE IN WINDOWS BEFORE WRITING TO A CD/DVD-RW DISC —

Windows XP:

- 1 Click the **Start** button, then click **Control Panel**.
- 2 Define your standby settings on the **Power Schemes Tab** and **Advanced Tab**.

Windows Vista:

- 1 Click **Start**  and click **Control Panel**.
- 2 Click **System and Maintenance** and click **Power Options**.
- 3 Under **Preferred plans**, click **Change plan settings** for the selected plan.
- 4 Click the drop down menu for **Turn off the display** and select **Never**.


Hard drive problems

RUN CHECK DISK —

Windows XP:

- 1 Click **Start** and click **My Computer**.
- 2 Right-click **Local Disk C:**.
- 3 Click **Properties**→**Tools**→**Check Now**.
- 4 Click **Scan for and attempt recovery of bad sectors** and click **Start**.

Windows Vista:

- 1 Click **Start**  and click **Computer**.
- 2 Right-click **Local Disk C:**.
- 3 Click **Properties**.
- 4 Click the **Tools** tab.
- 5 Under **Error-checking**, click **Check Now**.
- 6 Click **Scan for and attempt recovery of bad sectors**.
- 7 Click **Start**.

NOTE: You must be logged in with Administrator privileges to perform this procedure.

E-Mail, Modem, and Internet Problems



CAUTION: Before you begin any of the procedures in this section, follow the safety instructions in the *Product Information Guide*.



NOTE: Connect the modem to an analog telephone jack only. The modem does not operate while it is connected to a digital telephone network.

CHECK THE WINDOWS MAIL EXPRESS SECURITY SETTINGS — If you cannot open your e-mail attachments:

- 1 In Windows Mail, click **Tools**, click **Options**, and then click **Security**.
- 2 Click **Do not allow attachments to be saved or opened that could potentially be a virus** to remove the checkmark.
- 3 Click **Apply** and then **OK**.

CHECK THE TELEPHONE LINE CONNECTION —

CHECK THE TELEPHONE JACK —

CONNECT THE MODEM DIRECTLY TO THE TELEPHONE WALL JACK —

USE A DIFFERENT TELEPHONE LINE —


- Verify that the telephone line is connected to the jack on the modem. (The jack has either a green label or a connector-shaped icon next to it.)
- Ensure that you feel a click when you insert the telephone line connector into the modem.
- Disconnect the telephone line from the modem and connect it to a telephone. Listen for a dial tone.
- If you have other telephone devices sharing the line, such as an answering machine, fax machine, surge protector, or line splitter, then bypass them and use the telephone to connect the modem directly to the telephone wall jack. If you are using a line that is 3 m (10 ft) or more in length, try a shorter one.

RUN THE MODEM HELPER DIAGNOSTICS —

Windows® XP:

Click **Start**→**All Programs**→**Modem Helper**.

Windows Vista®:


Click **Start** , point to **All Programs**, and then click **Modem Helper**. Follow the instructions on the screen to identify and resolve modem problems. (Modem Helper is not available on all computers.)

VERIFY THAT THE MODEM IS COMMUNICATING WITH WINDOWS —

Windows XP:

- 1 Click **Start**→ **Control Panel**→ **Printers and Other Hardware**→ **Phone and Modem Options**→ **Modems**.
- 2 Click the COM port for your modem→ **Properties**→ **Diagnostics**→ **Query Modem** to verify that the modem is communicating with Windows.

Windows Vista:

- 1 Click **Start**  and click **Control Panel**.
 - 2 Click **Hardware and Sound**.
 - 3 Click **Phone and Modem Options** and click the **Modems** tab.
 - 4 Click the COM port for your modem.
 - 5 Click **Properties**, click the **Diagnostics** tab, and then click **Query Modem** to verify that the modem is communicating with Windows.
- If all commands receive responses, the modem is operating properly.

ENSURE THAT YOU ARE CONNECTED TO THE INTERNET — Ensure that you have subscribed to an Internet provider. With the Windows Mail e-mail program open, click **File**. If **Work Offline** has a checkmark next to it, click the checkmark to remove it and connect to the Internet. For help, contact your Internet service provider.

Error Messages

If the message is not listed, see the documentation for the operating system or the program that was running when the message appeared.


A FILENAME CANNOT CONTAIN ANY OF THE FOLLOWING CHARACTERS: \ / : * ? " < > | — Do not use these characters in filenames.

A REQUIRED .DLL FILE WAS NOT FOUND — The program that you are trying to open is missing an essential file. To remove and then reinstall the program:

Windows® XP:

- 1 Click **Start** → **Control Panel** → **Add or Remove Programs** → **Programs and Features**.
- 2 Select the program you want to remove.
- 3 Click **Uninstall**.
- 4 See the program documentation for installation instructions.

Windows Vista®:

- 1 Click **Start** , click **Control Panel**, and then click **Programs**.
- 2 Under **Programs and Features** click **Uninstall a program**.
- 3 Select the program you want to remove.
- 4 Click **Uninstall**, **Change**, or **Repair**.
- 5 See the program documentation for installation instructions.

drive letter : \ is not accessible. the device is not ready — The drive cannot read the disk. Insert a disk into the drive and try again.

INSERT BOOTABLE MEDIA — Insert a bootable floppy disk or CD.

NON-SYSTEM DISK ERROR — Remove the floppy disk from the drive and restart your computer.

NOT ENOUGH MEMORY OR RESOURCES. CLOSE SOME PROGRAMS AND TRY AGAIN — Close all windows and open the program that you want to use. In some cases, you might have to restart your computer to restore computer resources. If so, run the program that you want to use first.

OPERATING SYSTEM NOT FOUND — Contact Dell (see "Getting Help" on page 183).

Keyboard Problems



CAUTION: Before you begin any of the procedures in this section, follow the safety instructions in the *Product Information Guide*.

CHECK THE KEYBOARD CABLE —

- Ensure that the keyboard cable is firmly connected to the computer.
- Shut down the computer (see "Turning Off Your Computer" on page 102), reconnect the keyboard cable as shown on the setup diagram for your computer, and then restart the computer.
- Check the cable connector for bent or broken pins and for damaged or frayed cables. Straighten bent pins.
- Remove keyboard extension cables and connect the keyboard directly to the computer.

TEST THE KEYBOARD — Connect a properly working keyboard to the computer, and try using the keyboard.

ENSURE THAT THE USB PORTS ARE ENABLED IN THE SYSTEM SETUP PROGRAM — See "System Setup" on page 172.

RUN THE HARDWARE TROUBLESHOOTER — See "Resolving Software and Hardware Incompatibilities" on page 91.

Lockups and Software Problems



CAUTION: Before you begin any of the procedures in this section, follow the safety instructions in the *Product Information Guide*.

The computer does not start up

ENSURE THAT THE POWER CABLE IS FIRMLY CONNECTED TO THE COMPUTER AND TO THE ELECTRICAL OUTLET

The computer stops responding



NOTICE: You might lose data if you are unable to perform an operating system shutdown.

TURN THE COMPUTER OFF — If you are unable to get a response by pressing a key on your keyboard or moving your mouse, press and hold the power button for at least 8 to 10 seconds until the computer turns off. Then restart your computer.

A program stops responding

END THE PROGRAM —

- 1 Press <Ctrl><Shift><Esc> simultaneously.
- 2 Click Applications.
- 3 Click the program that is no longer responding.
- 4 Click End Task.

A program crashes repeatedly



NOTE: Software usually includes installation instructions in its documentation or on a floppy disk or CD.

CHECK THE SOFTWARE DOCUMENTATION — If necessary, uninstall and then reinstall the program.

A program is designed for an earlier Microsoft® Windows® operating system

RUN THE PROGRAM COMPATIBILITY WIZARD —


Windows XP:

The Program Compatibility Wizard configures a program so that it runs in an environment similar to non-XP operating system environments.

- 1** Click **Start** → **All Programs** → **Accessories** → **Program Compatibility Wizard** → **Next**.
- 2** Follow the instructions on the screen.

Windows Vista®:

Use the Program Compatibility Wizard to configure an operating environment similar to earlier versions of Windows. This may improve the performance of programs designed for earlier versions of Windows.

- 1** Click **Start** , point to **Control Panel** → **Programs** → **Programs and features**.
- 2** Under **Programs and features**, click **Use an older program with this version of windows**.
- 3** Follow the instructions on the screen.

A solid blue screen appears

TURN THE COMPUTER OFF — If you are unable to get a response by pressing a key on your keyboard or moving your mouse, press and hold the power button for at least 8 to 10 seconds until the computer turns off. Then restart your computer.

Other software problems

CHECK THE SOFTWARE DOCUMENTATION OR CONTACT THE SOFTWARE MANUFACTURER FOR TROUBLESHOOTING INFORMATION —

- Ensure that the program is compatible with the operating system installed on your computer.
- Ensure that your computer meets the minimum hardware requirements needed to run the software. See the software documentation for information.
- Ensure that the program is installed and configured properly.
- Verify that the device drivers do not conflict with the program.
- If necessary, uninstall and then reinstall the program.

BACK UP YOUR FILES IMMEDIATELY

USE A VIRUS-SCANNING PROGRAM TO CHECK THE HARD DRIVE, FLOPPY DISKS, OR CDS

SAVE AND CLOSE ANY OPEN FILES OR PROGRAMS AND SHUT DOWN YOUR COMPUTER THROUGH THE START MENU

Media Card Reader Problems


NO DRIVE LETTER IS ASSIGNED —

When Microsoft® Windows® Operating System detects the Media Card Reader, the device is automatically assigned a drive letter as the next logical drive after all other physical drives in the system. If the next logical drive after the physical drives is mapped to a network drive, Windows Operating System does not automatically assign a drive letter to the Media Card Reader.

Windows XP:

- 1** Right-click **My Computer** and select **Manage**.
- 2** Select the **Disk Management** option.
- 3** Right-click the corresponding drive letter in the right pane that needs to be changed.
- 4** Select **Drive Letter and Paths**.
- 5** From the drop-down list, select the new drive letter assignment for the Media Card Reader.
- 6** Click **OK** to confirm your selection.

Windows Vista®:

- 1** Click **Start** , right-click **Computer** and select **Manage**.
- 2** Click **Continue** if prompted.
- 3** Expand the Storage object and select **Disk Management**.
- 4** Right-click the corresponding drive letter in the right pane that needs to be changed.
- 5** Select **Change Drive Letter and Paths**.
- 6** Click **Change**.
- 7** From the drop-down list, select the new drive letter assignment for the Media Card Reader.
- 8** Click **OK** to confirm your selection.

NOTE: You must be logged in with Administrator privileges to perform this procedure.

NOTE: The Media Card Reader only appears as a mapped drive when it is connected. Each of the four Media Card Reader slots are mapped to a drive even if no media is installed. If you attempt to access the Media Card Reader when no media is inserted, you are prompted to insert media.

FLEXBAY DEVICE IS DISABLED —

There is a FlexBay disable option in the BIOS setup that appears only when the FlexBay device is installed. If the FlexBay device is physically installed, but it is not running, check to see if it is enabled in the BIOS setup.

Memory Problems



CAUTION: Before you begin any of the procedures in this section, follow the safety instructions in the *Product Information Guide*.

IF YOU RECEIVE AN INSUFFICIENT MEMORY MESSAGE —

- Save and close any open files and exit any open programs you are not using to see if that resolves the problem.
- See the software documentation for minimum memory requirements. If necessary, install additional memory (see "Memory Installation Guidelines" on page 112).
- Reseat the memory modules (see "Installing Memory" on page 113) to ensure that your computer is successfully communicating with the memory.
- Run the Dell Diagnostics (see "Starting the Dell Diagnostics From Your Hard Drive" on page 84).

IF YOU EXPERIENCE OTHER MEMORY PROBLEMS —

- Reseat the memory modules (see "Installing Memory" on page 113) to ensure that your computer is successfully communicating with the memory.
- Ensure that you are following the memory installation guidelines (see "Memory Installation Guidelines" on page 112).
- Your computer supports DDR2 memory. For more information about the type of memory supported by your computer, see "Memory" on page 167.
- Run the Dell Diagnostics (see "Starting the Dell Diagnostics From Your Hard Drive" on page 84).

Mouse Problems



CAUTION: Before you begin any of the procedures in this section, follow the safety instructions in the *Product Information Guide*.

CLEAN THE MOUSE — See "Mouse" on page 179 for instructions on cleaning the mouse.

CHECK THE MOUSE CABLE —

- 1 Remove mouse extension cables, if used, and connect the mouse directly to the computer.
- 2 Reconnect the mouse cable as shown on the setup diagram for your computer.

RESTART THE COMPUTER —

- 1 Simultaneously press <Ctrl><Esc> to display the **Start** menu.
- 2 Type **u**, press the keyboard arrow keys to highlight **Shut down** or **Turn Off**, and then press <Enter>.
- 3 After the computer turns off, reconnect the mouse cable as shown on the on the setup diagram for your computer.
- 4 Start the computer.

ENSURE THAT THE USB PORTS ARE ENABLED IN THE SYSTEM SETUP PROGRAM — See "System Setup" on page 172.


TEST THE MOUSE — Connect a properly working mouse to the computer, and try using the mouse.

CHECK THE MOUSE SETTINGS —

Windows® XP:

- 1 Click **Start**, click **Control Panel**, and then click **Printers and Other Hardware**.
- 2 Click **Mouse**.
- 3 Adjust the settings as needed.

Windows Vista®:

- 1 Click **Start** , click **Control Panel**, and then click **Hardware and Sound**.
- 2 Click **Mouse**.
- 3 Try adjusting the settings.

REINSTALL THE MOUSE DRIVER — See "Reinstalling Drivers and Utilities" on page 88.

RUN THE HARDWARE TROUBLESHOOTER — See "Resolving Software and Hardware Incompatibilities" on page 91.

Network Problems



CAUTION: Before you begin any of the procedures in this section, follow the safety instructions in the *Product Information Guide*.

CHECK THE NETWORK CABLE CONNECTOR — Ensure that the network cable is firmly inserted into both the network connector on the back of the computer and the network port or device.

CHECK THE NETWORK LIGHTS ON THE BACK OF THE COMPUTER — If the link integrity light is off, that indicates no network communication exists. Replace the network cable. For a description of network lights, see "Controls and Lights" on page 170.

RESTART THE COMPUTER AND LOG ON TO THE NETWORK AGAIN

CHECK YOUR NETWORK SETTINGS — Contact your network administrator or the person who set up your network to verify that your network settings are correct and that the network is functioning.

RUN THE HARDWARE TROUBLESHOOTER — See "Resolving Software and Hardware Incompatibilities" on page 91.

Power Problems



CAUTION: Before you begin any of the procedures in this section, follow the safety instructions in the *Product Information Guide*.

IF THE POWER LIGHT IS OFF — The computer is either turned off or is not receiving power.

- Reseat the power cable into both the power connector on the back of the computer and the electrical outlet.
- If the computer is plugged into a power strip, ensure that the power strip is plugged into an electrical outlet and that the power strip is turned on. Also bypass power protection devices, power strips, and power extension cables to verify that the computer turns on properly.
- Ensure that the electrical outlet is working by testing it with another device, such as a lamp.

IF THE POWER LIGHT IS STEADY BLUE AND THE COMPUTER IS NOT RESPONDING — See "Power Lights" on page 79.

IF THE POWER LIGHT IS BLINKING BLUE — The computer is in standby mode. Press a key on the keyboard, move the mouse, or press the power button to resume normal operation.

IF THE POWER LIGHT IS STEADY AMBER — Power problem or internal device malfunction.

- Ensure that the 12-volt power connector (12V) is securely connected to the system board (see "System Board Components" on page 107).
- Ensure that the main power cable and front panel cable are securely connected to the system board (see "System Board Components" on page 107).

IF THE POWER LIGHT IS BLINKING AMBER — The computer is receiving electrical power, a device might be malfunctioning or incorrectly installed.

- Remove and then reinstall the memory modules (see "System Board Components" on page 107).
- Remove and then reinstall any cards (see "Cards" on page 116).
- Remove and then reinstall the graphics card, if applicable (see "Removing a PCI/PCI Express Card" on page 121).

ELIMINATE INTERFERENCE — Some possible causes of interference are:

- Power, keyboard, and mouse extension cables
- Too many devices on a power strip
- Multiple power strips connected to the same electrical outlet

Printer Problems



CAUTION: Before you begin any of the procedures in this section, follow the safety instructions in the *Product Information Guide*.



NOTE: If you need technical assistance for your printer, contact the printer's manufacturer.

CHECK THE PRINTER DOCUMENTATION — See the printer documentation for setup and troubleshooting information.

ENSURE THAT THE PRINTER IS TURNED ON

CHECK THE PRINTER CABLE CONNECTIONS —

- See the printer documentation for cable connection information.
- Ensure that the printer cables are securely connected to the printer and the computer (see "Setting Up a Printer" on page 23).


TEST THE ELECTRICAL OUTLET — Ensure that the electrical outlet is working by testing it with another device, such as a lamp.

VERIFY THAT THE PRINTER IS RECOGNIZED BY WINDOWS —

Windows® XP:

- 1** Click **Start**, click **Control Panel**, and then click **Printers and Other Hardware**.
- 2** Click **View installed printers or fax printers**.
- 3** If the printer is listed, right-click the printer icon.
- 4** Click **Properties**, then click the **Ports** tab. For a USB printer, ensure that **Print to the following port(s)** is set to USB.

Windows Vista®:

- 1** Click **Start** , click **Control Panel**, and then click **Hardware and Sound**.
- 2** Click **Printers**. If the printer is listed, right-click the printer icon.
- 3** Click **Properties** and click the **Ports** tab. Ensure that the **Print to the following port(s)** setting is USB.

REINSTALL THE PRINTER DRIVER — See the printer documentation for instructions.

Scanner Problems



CAUTION: Before you begin any of the procedures in this section, follow the safety instructions in the *Product Information Guide*.



NOTE: If you need technical assistance for your scanner, contact the scanner's manufacturer.

CHECK THE SCANNER DOCUMENTATION — See the scanner documentation for setup and troubleshooting information.

UNLOCK THE SCANNER — Ensure that your scanner is unlocked if it has a locking tab or button.

RESTART THE COMPUTER AND TRY THE SCANNER AGAIN

CHECK THE CABLE CONNECTIONS —

- See the scanner documentation for cable connection information.
- Ensure that the scanner cables are securely connected to the scanner and the computer.


VERIFY THAT THE SCANNER IS RECOGNIZED BY MICROSOFT WINDOWS —

Windows XP:

- 1 Click **Start**, click **Control Panel**, and then click **Printers and Other Hardware**.
- 2 Click **Scanners and Cameras**.

If your scanner is listed, Windows recognizes the scanner.

Windows Vista:

- 1 Click **Start** , click **Control Panel**, and then click **Hardware and Sound**.
- 2 Click **Scanners and Cameras**.

If your scanner is listed, Windows recognizes the scanner.

REINSTALL THE SCANNER DRIVER — See the scanner documentation for instructions.

Sound and Speaker Problems



CAUTION: Before you begin any of the procedures in this section, follow the safety instructions in the *Product Information Guide*.

No sound from speakers



NOTE: The volume control in some MP3 players overrides the Windows volume setting. If you have been listening to MP3 songs, ensure that you did not turn the player volume down or off.

CHECK THE SPEAKER CABLE CONNECTIONS — Ensure that the speakers are connected as shown on the setup diagram supplied with the speakers. If you purchased a sound card, ensure that the speakers are connected to the card.

ENSURE THAT THE CORRECT AUDIO SOLUTION IS ENABLED IN THE BIOS SETUP PROGRAM — See "System Setup" on page 172.

ENSURE THAT THE SUBWOOFER AND THE SPEAKERS ARE TURNED ON — See the setup diagram supplied with the speakers. If your speakers have volume controls, adjust the volume, bass, or treble to eliminate distortion.

ADJUST THE WINDOWS VOLUME CONTROL — Click or double-click the speaker icon in the lower-right corner of your screen. Ensure that the volume is turned up and that the sound is not muted.

DISCONNECT HEADPHONES FROM THE HEADPHONE CONNECTOR — Sound from the speakers is automatically disabled when headphones are connected to the computer's front-panel headphone connector.

TEST THE ELECTRICAL OUTLET — Ensure that the electrical outlet is working by testing it with another device, such as a lamp.

ELIMINATE POSSIBLE INTERFERENCE — Turn off nearby fans, fluorescent lights, or halogen lamps to check for interference.

REINSTALL THE SOUND DRIVER — See "Manually Reinstalling Drivers" on page 90.

RUN THE HARDWARE TROUBLESHOOTER — See "Resolving Software and Hardware Incompatibilities" on page 91.

No sound from headphones

CHECK THE HEADPHONE CABLE CONNECTION — Ensure that the headphone cable is securely inserted into the headphone connector (see "Front View of the Computer" on page 15).

ADJUST THE WINDOWS VOLUME CONTROL — Click or double-click the speaker icon in the lower-right corner of your screen. Ensure that the volume is turned up and that the sound is not muted.

ENSURE THAT THE CORRECT AUDIO SOLUTION IS ENABLED IN THE BIOS SETUP PROGRAM — See "System Setup" on page 172.

Video and Monitor Problems



CAUTION: Before you begin any of the procedures in this section, follow the safety instructions in the *Product Information Guide*.



NOTE: See the monitor documentation for troubleshooting procedures.

If the screen is blank

CHECK THE MONITOR CABLE CONNECTION —

- Ensure that the graphics cable is connected as shown on the setup diagram for your computer.
If an optional video card is installed, check that the monitor cable is connected to the card, rather than the video connector on the system board.
- If you are using a graphics extension cable and removing the cable solves the problem, the cable is defective.
- Swap the computer and monitor power cables to determine whether the power cable is defective.
- Check the connector for bent or broken pins. (It is normal for monitor cable connectors to have missing pins.)

CHECK THE MONITOR POWER LIGHT — If the power light is off, firmly press the button to ensure that the monitor is turned on. If the power light is lit or blinking, the monitor has power. If the power light is blinking, press a key on the keyboard or move the mouse.

TEST THE ELECTRICAL OUTLET — Ensure that the electrical outlet is working by testing it with another device, such as a lamp.

If the screen is difficult to read

CHECK THE MONITOR SETTINGS — See the monitor documentation for instructions on adjusting the contrast and brightness, demagnetizing (degaussing) the monitor, and running the monitor self-test.

MOVE THE SUBWOOFER AWAY FROM THE MONITOR — If your speaker system includes a subwoofer, ensure that the subwoofer is at least 60 cm (2 ft) away from the monitor.

MOVE THE MONITOR AWAY FROM EXTERNAL POWER SOURCES — Fans, fluorescent lights, halogen lamps, and other electrical devices can cause the screen image to appear "shaky." Turn off nearby devices to check for interference.


ROTATE THE MONITOR TO ELIMINATE SUNLIGHT GLARE AND POSSIBLE INTERFERENCE

ADJUST THE WINDOWS DISPLAY SETTINGS —

Windows[®] XP:

- 1 Click **Start**, click **Control Panel**, and then click **Appearance and Themes**.
- 2 Click **Display**, then click the **Settings** tab.
- 3 Adjust **Screen resolution** and **Color quality** settings, as needed.

Windows Vista[®]:

- 1 Click **Start** , click **Control Panel**, and then click **Appearance and Personalization**.
- 2 Under **Personalization**, click **Adjust screen resolution**.
- 3 Try different settings for **Screen resolution** and **Color quality**.

Troubleshooting Tools

Power Lights

 **CAUTION:** Before you begin any of the procedures in this section, follow the safety instructions in the *Product Information Guide*.

The power button light (bi-color LED) located on the front of the computer illuminates and blinks or remains solid to indicate different states:

- If the power light is off, the computer is either turned off or is not receiving power.
 - Reseat the power cable in the power connector on the back of the computer and the electrical outlet.
 - If the computer is plugged into a power strip, ensure that the power strip is plugged into an electrical outlet and that the power strip is turned on. Also, bypass power protection devices, power strips, and power extension cables to verify that the computer turns on properly.
 - Ensure that the electrical outlet is working by testing it with another device, such as a lamp.
- If the power light is steady blue and the computer is not responding:
 - Ensure that the display is connected and powered on.
 - If the display is connected and powered on, see "Beep Codes" on page 80.
- If the power light is blinking blue, the computer is in standby mode. Press a key on the keyboard, move the mouse, or press the power button to resume normal operation. If the power light is blue and the computer is not responding:
 - Ensure the display is connected and powered on.
 - If the display is connected and powered on, see "Beep Codes" on page 80.

- If the power light is blinking amber, the computer is receiving electrical power, a device might be malfunctioning or incorrectly installed.
 - Remove and then reinstall the memory modules (see "Memory" on page 112).
 - Remove and then reinstall any cards (see "Cards" on page 116).
 - Remove and then reinstall the graphics card, if applicable (see "Cards" on page 116).
- If the power light is steady amber, there may be a power problem or an internal device malfunction.
 - Ensure that all power cables are securely connected to the system board (see "System Board Components" on page 107).
 - Ensure that the main power cable and front panel cable are securely connected to the system board (see "System Board Components" on page 107).

Beep Codes

Your computer might emit a series of beeps during start-up if the monitor cannot display errors or problems. This series of beeps, called a beep code, identifies a problem. One possible beep code consists of repetitive three short beeps. This beep code tells you that the computer encountered a possible motherboard failure.

If your computer beeps during start-up:

- 1 Write down the beep code.
- 2 Run the Dell Diagnostics to identify a more serious cause (see "Dell Diagnostics" on page 84).

Code (repetitive short beeps)	Description	Suggested Remedy
3	Possible motherboard failure.	Contact Dell.
1	BIOS checksum failure. Possible motherboard failure.	Contact Dell.

Code (repetitive short beeps)	Description	Suggested Remedy
5	Real time clock failure. Possible battery failure or motherboard failure.	<ol style="list-style-type: none"> 1. Replace the battery (see "Replacing the Battery" on page 144). 2. If the problem persists, contact Dell.
4	RAM Read/Write failure.	<ol style="list-style-type: none"> 1. Ensure that no special memory module/memory connector placement requirements exist (see "Memory Installation Guidelines" on page 112). 2. Verify that the memory modules that you are installing are compatible with your computer (see "Memory Installation Guidelines" on page 112). 3. If the problem persists, contact Dell.
2	No memory modules are detected.	<ol style="list-style-type: none"> 1. If you have two or more memory modules installed, remove the modules, reinstall one module (see "Installing Memory" on page 113), and then restart the computer. If the computer starts normally, reinstall an additional module. Continue until you have identified a faulty module or reinstalled all modules without error. 2. If available, install good memory of the same type into your computer (see "Installing Memory" on page 113). 3. If the problem persists, contact Dell.
6	Video BIOS Test Failure.	Contact Dell.

System Messages



NOTE: If the message you received is not listed in the table, see the documentation for either the operating system or the program that was running when the message appeared.

ALERT! PREVIOUS ATTEMPTS AT BOOTING THIS SYSTEM HAVE FAILED AT CHECKPOINT [NNNN]. FOR HELP IN RESOLVING THIS PROBLEM, PLEASE NOTE THIS CHECKPOINT AND CONTACT DELL TECHNICAL SUPPORT — The computer failed to complete the boot routine three consecutive times for the same error (see "Getting Help" on page 183 for assistance).

CMOS CHECKSUM ERROR — Possible motherboard failure or RTC battery low. Replace battery (see "Replacing the Battery" on page 144 or see "Getting Help" on page 183 for assistance).

CPU FAN FAILURE — CPU fan failure. Replace CPU fan (see "Removing the Processor Fan" on page 155).

DISKETTE DRIVE 0 SEEK FAILURE — A cable may be loose, or the computer configuration information may not match the hardware configuration. Check cable connections (see "Getting Help" on page 183 for assistance).

DISKETTE READ FAILURE — The floppy disk may be defective or a cable may be loose. Replace floppy disk/check for loose cable connection.

HARD-DISK DRIVE FAILURE — Possible hard disk drive failure during HDD POST. Check cables /swap hard disks (see "Getting Help" on page 183 for assistance).

HARD-DISK DRIVE READ FAILURE — Possible HDD failure during HDD boot test (see "Getting Help" on page 183 for assistance).

KEYBOARD FAILURE — Keyboard failure or keyboard cable loose (see "Keyboard Problems" on page 62).

NO BOOT DEVICE AVAILABLE — No bootable partition on HDD or Not a bootable floppy in floppy driver, or HDD/Floppy cable loose, or No bootable device exists.

- If the floppy drive is your boot device, ensure that a bootable floppy disk is in the drive.
- If the hard drive is your boot device, ensure that the cables are connected and that the drive is installed properly and partitioned as a boot device.
- Enter system setup and ensure that the boot sequence information is correct (see "Entering System Setup" on page 172).

NO TIMER TICK INTERRUPT — A chip on the system board might be malfunctioning or motherboard failure (see "Getting Help" on page 183 for assistance).

NON-SYSTEM DISK OR DISK ERROR — Replace the floppy disk with one that has a bootable operating system or remove the floppy disk from drive A and restart the computer.

NOT A BOOT DISKETTE — Insert a bootable floppy disk and restart your computer.

USB OVER CURRENT ERROR — Disconnect the USB device. Use external power source for the USB device.

NOTICE - HARD DRIVE SELF MONITORING SYSTEM HAS REPORTED THAT A PARAMETER HAS EXCEEDED ITS NORMAL OPERATING RANGE. DELL RECOMMENDS THAT YOU BACK UP YOUR DATA REGULARLY. A PARAMETER OUT OF RANGE MAY OR MAY NOT INDICATE A POTENTIAL HARD DRIVE PROBLEM. — S.M.A.R.T error, possible HDD failure. This feature can be enabled or disabled in BIOS setup.

Dell Diagnostics



CAUTION: Before you begin any of the procedures in this section, follow the safety instructions in the *Product Information Guide*.

When to Use the Dell Diagnostics

If you experience a problem with your computer, perform the checks in Lockups and Software Problems (see "Lockups and Software Problems" on page 62) and run the Dell Diagnostics before you contact Dell for technical assistance.

It is recommended that you print these procedures before you begin.



NOTICE: The Dell Diagnostics works only on Dell™ computers.



NOTE: The *Drivers and Utilities* media is optional and may not ship with your computer.

See "System Setup" on page 172 to review your computer's configuration information, and ensure that the device that you want to test displays in the system setup program and is active.

Start the Dell Diagnostics from your hard drive or from the *Drivers and Utilities* media.

Starting the Dell Diagnostics From Your Hard Drive

The Dell Diagnostics is located on a hidden diagnostic utility partition on your hard drive.



NOTE: If your computer cannot display a screen image, see "Getting Help" on page 183.

- 1 Ensure that the computer is connected to an electrical outlet that is known to be working properly.
- 2 Turn on (or restart) your computer.
- 3 When the DELL™ logo appears, press <F12> immediately. Select **Utility Partition** from the boot menu and press <Enter>.



NOTE: If you wait too long and the operating system logo appears, continue to wait until you see the Microsoft® Windows® desktop; then, shut down your computer and try again.



NOTE: If you see a message stating that no diagnostics utility partition has been found, run the Dell Diagnostics from the *Drivers and Utilities* media.

- 4 Press any key to start the Dell Diagnostics from the diagnostics utility partition on your hard drive.

Starting the Dell Diagnostics From the *Drivers and Utilities Media*

- 1 Insert the *Drivers and Utilities* media.
- 2 Shut down and restart the computer.

When the DELL logo appears, press <F12> immediately.



NOTE: If you wait too long and the operating system logo appears, continue to wait until you see the Microsoft® Windows® desktop; then, shut down your computer and try again.



NOTE: The next steps change the boot sequence for one time only. On the next start-up, the computer boots according to the devices specified in the system setup program.

- 3 When the boot device list appears, highlight CD/DVD/CD-RW and press <Enter>.
- 4 Select the **Boot from CD-ROM** option from the menu that appears and press <Enter>.
- 5 Type 1 to start the CD menu and press <Enter> to proceed.
- 6 Select **Run the 32 Bit Dell Diagnostics** from the numbered list. If multiple versions are listed, select the version appropriate for your computer.
- 7 When the Dell Diagnostics **Main Menu** appears, select the test you want to run.

Dell Diagnostics Main Menu

- 1 After the Dell Diagnostics loads and the **Main Menu** screen appears, click the button for the option you want.



NOTE: It is recommended that you select **Test System** to run a complete test on your computer.

Option	Function
Test Memory	Run the stand-alone memory test
Test System	Run System Diagnostics
Exit	Exit the Diagnostics

- 2 After you have selected the **Test System** option from the main menu, the following menu appears:



NOTE: It is recommended that you select **Extended Test** from the menu below to run a more thorough check of devices in the computer.

Option	Function
Express Test	Performs a quick test of devices in the system. This typically can take 10 to 20 minutes.
Extended Test	Performs a thorough check of devices in the system. This typically can take an hour or more.
Custom Test	Use to test a specific device or customize the tests to be run.
Symptom Tree	This option allows you to select tests based on a symptom of the problem you are having. This option lists the most common symptoms.

- 3** If a problem is encountered during a test, a message appears with an error code and a description of the problem. Write down the error code and problem description and see "Getting Help" on page 183.



NOTE: The Service Tag for your computer is located at the top of each test screen. If you contact Dell, technical support will ask for your Service Tag.

- 4** If you run a test from the **Custom Test** or **Symptom Tree** option, click the applicable tab described in the following table for more information.

Tab	Function
Results	Displays the results of the test and any error conditions encountered.
Errors	Displays error conditions encountered, error codes, and the problem description.
Help	Describes the test and may indicate requirements for running the test.
Configuration	Displays your hardware configuration for the selected device. The Dell Diagnostics obtains configuration information for all devices from system setup, memory, and various internal tests, and it displays the information in the device list in the left pane of the screen. The device list may not display the names of all the components installed on your computer or all devices attached to your computer.
Parameters	Allows you to customize the test by changing the test settings.

- 5 When the tests are complete, close the test screen to return to the **Main Menu** screen. To exit the Dell Diagnostics and restart the computer, close the **Main Menu** screen.
- 6 Remove the *Drivers and Utilities* media (if applicable).

Drivers

What Is a Driver?

A driver is a program that controls a device such as a printer, mouse, or keyboard. All devices require a driver program.

A driver acts like a translator between the device and any other programs that use the device. Each device has its own set of specialized commands that only its driver recognizes.

Dell ships your computer to you with required drivers already installed—no further installation or configuration is needed.



NOTICE: The *Drivers and Utilities* media may contain drivers for operating systems that are not on your computer. Ensure that you are installing software appropriate for your operating system.

Many drivers, such as the keyboard driver, come with your Microsoft Windows operating system. You may need to install drivers if you:

- Upgrade your operating system.
- Reinstall your operating system.
- Connect or install a new device.

Identifying Drivers

If you experience a problem with any device, identify whether the driver is the source of your problem and, if necessary, update the driver.




NOTE: You must be logged in with Administrator privileges to perform this procedure.

Windows® XP:

- 1 Click **Start**, then click **Control Panel**.
- 2 Click **System**.
- 3 In the **System Properties** window, click the **Hardware** tab.
- 4 Click **Device Manager**.

Windows Vista®:

- 1 Click **Start**  and right-click **Computer**.
- 2 Click **Properties**→ **Device Manager**.



NOTE: The **User Account Control** (located to the left under **Tasks** window) may appear. If you are an administrator on the computer, click **Continue**; otherwise, contact your administrator to continue.

Scroll down the list to see if any device has an exclamation point (a yellow circle with a [!]) on the device icon.

If an exclamation point is next to the device name, you may need to reinstall the driver or install a new driver (see "Reinstalling Drivers and Utilities" on page 88).

Reinstalling Drivers and Utilities



NOTE: The Dell Support website at support.dell.com and your *Drivers and Utilities* media provide approved drivers for Dell™ computers. If you install drivers obtained from other sources, your computer might not work correctly.

Using Windows Device Driver Rollback

If a problem occurs on your computer after you install or update a driver, use Windows Device Driver Rollback to replace the driver with the previously installed version.





NOTE: You must be logged in with Administrator privileges to perform this procedure.

Windows XP:

- 1 Click **Start**, then click **Control Panel**.
- 2 Click **System**.
- 3 In the **System Properties** window, click the **Hardware** tab.
- 4 Click **Device Manager**.
- 5 Right-click the device for which the new driver was installed and click **Properties**.
- 6 Click the **Drivers** tab→ **Roll Back Driver**.

Windows Vista:

- 1 Click **Start**  and right-click **Computer**.
- 2 Click **Properties**→ **Device Manager**.
 **NOTE:** The **User Account Control** window may appear. If you are an administrator on the computer, click **Continue**; otherwise, contact your administrator to enter the Device Manager.
- 3 Right-click the device for which the new driver was installed and click **Properties**.
- 4 Click the **Drivers** tab→ **Roll Back Driver**.

If Device Driver Rollback does not resolve the problem, then use System Restore ("Restoring Your Operating System" on page 92) to return your computer to the operating state that existed before you installed the new driver.

Using the *Drivers and Utilities* media

If using Device Driver Rollback or System Restore ("Restoring Your Operating System" on page 92) does not resolve the problem, then reinstall the driver from the *Drivers and Utilities* media.

- 1 With the Windows desktop displayed, insert the *Drivers and Utilities* media.
If this is your first time to use the *Drivers and Utilities* media, go to step 2.
If not, go to step 5.
- 2 When the *Drivers and Utilities* media installation program starts, follow the prompts on the screen.
- 3 When the **InstallShield Wizard Complete** window appears, remove the *Drivers and Utilities* media and click **Finish** to restart the computer.
- 4 When you see the Windows desktop, reinsert the *Drivers and Utilities* media.

- 5 At the **Welcome Dell System Owner** screen, click **Next**.



NOTE: The *Drivers and Utilities* media displays drivers only for hardware that came installed in your computer. If you installed additional hardware, the drivers for the new hardware might not be displayed by the *Drivers and Utilities* media. If those drivers are not displayed, exit the *Drivers and Utilities* media program. For drivers information, see the documentation that came with the device.

A message appears, stating that the *Drivers and Utilities* media is detecting hardware in your computer.

The drivers that are used by your computer are automatically displayed in the **My Drivers—The *Drivers and Utilities* media has identified these components in your system** window.

- 6 Click the driver that you want to reinstall and follow the instructions on the screen.

If a particular driver is not listed, that driver is not required by your operating system.

Manually Reinstalling Drivers





NOTE: You must be logged in with Administrator privileges to perform this procedure.

After extracting the driver files to your hard drive as described in the previous section:

Windows XP:

- 1 Click **Start**, and then right-click **My Computer**→ **Properties**.
- 2 Click the **Hardware** tab, then click **Device Manager**.
- 3 Double-click the type of device for which you are installing the driver.
- 4 Double-click the name of the device for which you are installing the driver.
- 5 Click the **Driver** tab, then click **Update Driver**.
- 6 Click **Install from a list or specific location (Advanced)**, then click **Next**.
- 7 Click **Browse** and browse to the location to which you previously extracted the driver files.
- 8 When the name of the appropriate driver appears, click **Next**.
- 9 Click **Finish**, and then restart your computer.

Windows Vista:

- 1 Click **Start**  and right-click **Computer**.
- 2 Click **Properties**→ **Device Manager**.
 **NOTE:** The **User Account Control** window may appear. If you are an administrator on the computer, click **Continue**; otherwise, contact your administrator to enter the Device Manager.
- 3 Double-click the type of device for which you are installing the driver (for example, **Audio** or **Video**).
- 4 Double-click the name of the device for which you are installing the driver.
- 5 Click the **Driver** tab→ **Update Driver**→ **Browse my computer for driver software**.
- 6 Click **Browse** and browse to the location to which you previously copied the driver files.
- 7 When the name of the appropriate driver appears, click the name of the driver→ **OK**→ **Next**.
- 8 Click **Finish** and restart your computer.

Resolving Software and Hardware Incompatibilities


If a device is either not detected during the operating system setup or is detected but incorrectly configured, you can use the Windows Operating systems Help And Support to assist you in resolving the incompatibility.

Windows® XP:

- 1 Click **Start**, then click **Help and Support**.
- 2 Type `hardware troubleshooter` in the **Search** field, then click the arrow to start the search.
- 3 Click **Hardware Troubleshooter** in the **Search Results** list.
- 4 In the **Hardware Troubleshooter** list, click **I need to resolve a hardware conflict on my computer**, and then click **Next**.

Windows Vista®:

To start the Help and Support:

- 1 Click **Start**  and click **Help and Support**.
- 2 Under **Find an answer**, click **Troubleshooting**.
- 3 Select the option that best describes the problem and follow the troubleshooting steps.



NOTE: If you do not find the answer in the items categorized in Troubleshooting, you can get Online Help - type in your question in the Search Help.

Restoring Your Operating System

You can restore your operating system in the following ways:

- System Restore returns your computer to an earlier operating state without affecting data files. Use System Restore as the first solution for restoring your operating system and preserving data files.
- Dell PC Restore by Symantec (available in Windows XP) and Dell Factory Image Restore (available in Windows Vista) restore your hard drive to the operating state it was in when you purchased the computer. Both permanently delete all data on the hard drive and remove any programs installed after you received the computer. Use Dell PC Restore or Dell Factory Image Restore only if System Restore did not resolve your operating system problem.
- *If you received an Operating System CD with your computer, you can use it to restore your operating system. Use the CD *only* if System Restore did not resolve your operating system problem.*

Using Microsoft Windows System Restore

The Windows operating systems provide a System Restore option which allows you to return your computer to an earlier operating state (without affecting data files) if changes to the hardware, software, or other system settings have left the computer in an undesirable operating state. Any changes that System Restore makes to your computer are completely reversible. See the Windows Help and Support Center for information on using System Restore. To access the Windows Help and Support Center, see "Windows Help and Support Center" on page 14.



NOTICE: Make regular backups of your data files. System Restore does not monitor your data files or recover them.



NOTE: The procedures in this document were written for the Windows default view, so they may not apply if you set your Dell™ computer to the Windows Classic view.

Creating a Restore Point



NOTE: You must be logged in with Administrator privileges to perform this procedure.

Windows XP:

- 1 Click **Start**→**All Programs**→**Accessories**→**System Tools**→**System Restore**.
- 2 Click **Create a restore point**.
- 3 Click **Next** and follow the remaining on-screen prompts.


You can also manually create a restore point from the Windows XP **System Restore**.

- 1 Click **Start**→**All Programs**→**Accessories**→**System Tools**→**System Restore**.


In the **System Restore** home page, select **create a restore point** and click next, follow the instructions to create a restore point.

For more information, use **Help and Support** and search for **restore**.

Windows Vista:

- 1 Click **Start**  and click **Control Panel**.
- 2 Click **System and Maintenance** and click **System**.
- 3 In the Tasks list, click **System Protection**.
- 4 Click **Create**.
- 5 Follow the instructions on the screen. Windows Vista will automatically set restore points at important events - driver and application installs.

You can also manually create a restore point from the Windows Vista Back Up and Restore Center. There are two ways to get to the Windows Vista Backup and Restore Center:

- 1 Click **Show all 14 items** below the **Connect to the Internet** icon in the **Welcome Center**. Click **Back Up and Restore Center** icon.
- 2 Click **Start**  → **All Programs** → **Maintenance** → **Back Up and Restore Center**.

In the **Back Up and Restore Center**, under the tasks, click **create a restore point or change settings**.

For more information, use **Help and Support** and search for **restore**.

Restoring the Computer to an Earlier Operating State

If problems occur after you install a device driver, use Device Driver Rollback (see "Using Windows Device Driver Rollback" on page 88) to resolve the problem. If that is unsuccessful, then use System Restore.



NOTICE: Before you restore the computer to an earlier operating state, save and close any open files and exit any open programs. Do not alter, open, or delete any files or programs until the system restoration is complete.



NOTE: You must be logged in with Administrator privileges to perform this procedure.

Windows XP:

- 1 Click **Start**, point to **All Programs** → **Accessories** → **System Tools**, and then click **System Restore**.
- 2 Ensure that **Restore my computer to an earlier time** is selected, then click **Next**.
- 3 Click a calendar date to which you want to restore your computer.
The **Select a Restore Point** screen provides a calendar that allows you to see and select restore points. All calendar dates with available restore points appear in boldface type.
- 4 Select a restore point, then click **Next**.


If a calendar date has only one restore point, that restore point is automatically selected. If two or more restore points are available, click the restore point that you prefer.

- 5 Click Next.

The **Restoration Complete** screen appears after System Restore finishes collecting data, then the computer restarts.

- 6 After the computer restarts, click **OK**.

Windows Vista:

- 1 Click **Start** , point to **All Programs**→**Maintenance**→ and then click **Back Up and Restore Center**.
- 2 In the Tasks list, click **Repair Windows using System Restore**. You will see a UAC dialog box asking for permission to run the application - click **continue**.
- 3 Follow the prompts on the screen to complete the restore. After System Restore finishes collecting data, the computer restarts.
- 4 After the computer restarts, click **OK**.

To change the restore point, you can either repeat the steps using a different restore point, or you can undo the restoration.

Using Dell PC Restore



NOTICE: Using Dell PC Restore or Dell Factory Image Restore permanently deletes all data on the hard drive and removes any programs or drivers installed after you received your computer. If possible, back up the data before using these options. Use PC Restore or Dell Factory Image Restore only if System Restore did not resolve your operating system problem.



NOTE: Dell PC Restore by Symantec and Dell Factory Image Restore may not be available in certain countries or on certain computers.

Use Dell PC Restore (Windows XP) or Dell Factory Image Restore (Windows Vista) only as the last method to restore your operating system. These options restore your hard drive to the operating state it was in when you purchased the computer. Any programs or files added since you received your computer—including data files—are permanently deleted from the hard drive. Data files include documents, spreadsheets, e-mail messages, digital photos, music files, and so on. If possible, back up all data before using PC Restore and Dell Factory Image Restore.

Windows XP: Dell PC Restore

- 1 Turn on the computer.

During the boot process, a blue bar with www.dell.com appears at the top of the screen.

- 2 Immediately upon seeing the blue bar, press <Ctrl><F11>.

If you do not press <Ctrl><F11> in time, let the computer finish starting, and then restart the computer again.



NOTICE: If you do *not* want to proceed with PC Restore, click **Reboot** in the following step.

- 3 On the next screen that appears, click **Restore**.

- 4 On the next screen, click **Confirm**.

The restore process takes approximately 6–10 minutes to complete.

- 5 When prompted, click **Finish** to reboot the computer.



NOTE: Do not manually shut down the computer. Click **Finish** and let the computer completely reboot.

- 6 When prompted, click **Yes**.

The computer restarts. Because the computer is restored to its original operating state, the screens that appear, such as the End User License Agreement, are the same ones that appeared the first time the computer was turned on.

- 7 Click **Next**.

The **System Restore** screen appears and the computer restarts.

- 8 After the computer restarts, click **OK**.

Windows Vista: Dell Factory Image Restore

- 1 Turn on the computer. When the Dell logo appears, press <F8> several times to access the Vista Advanced Boot Options Window.

- 2 Select **Repair Your Computer**.

The **System Recovery Options** window appears.

- 3 Select a keyboard layout and click **Next**.

4 To access the recovery options, log on as a local user. To access the command prompt, type `administrator` in the User name field, then click **OK**.

5 Click **Dell Factory Image Restore**.



NOTE: Depending upon your configuration, you may need to select **Dell Factory Tools**, then **Dell Factory Image Restore**.

The Dell Factory Image Restore welcome screen appears.

6 Click **Next**.

The Confirm Data Deletion screen appears.



NOTICE: If you do not want to proceed with **Factory Image Restore**, click **Cancel**.

7 Click the checkbox to confirm that you want to continue reformatting the hard drive and restoring the system software to the factory condition, then click **Next**.

The restore process begins and may take five or more minutes to complete.

A message appears when the operating system and factory-installed applications have been restored to factory condition.

8 Click **Finish** to reboot the system.

Removing Dell PC Restore



NOTICE: Removing **Dell PC Restore** from the hard drive permanently deletes the **PC Restore** utility from your computer. After you have removed **Dell PC Restore**, you will not be able to use it to restore your computer's operating system.

Dell PC Restore enables you to restore your hard drive to the operating state it was in when you purchased your computer. It is recommended that you *do not* remove **PC Restore** from your computer, even to gain additional hard-drive space. If you remove **PC Restore** from the hard drive, you cannot ever recall it, and you will never be able to use **PC Restore** to return your computer's operating system to its original state.

To remove **PC Restore**:

- 1 Log on to the computer as a local administrator.
- 2 In Windows Explorer, go to `c:\dell\utilities\DSR`.

3 Double-click the filename **DSRIRRemv2.exe**.



NOTE: If you do not log on as a local administrator, a message appears stating that you must log on as administrator. Click **Quit**, and then log on as a local administrator.



NOTE: If the partition for PC Restore does not exist on your computer's hard drive, a message appears stating that the partition was not found. Click **Quit**; there is no partition to delete.

4 Click **OK** to remove the PC Restore partition on the hard drive.

5 Click **Yes** when a confirmation message appears.

The PC Restore partition is deleted and the newly available disk space is added to the free space allocation on the hard drive.

6 Right-click **Local Disk (C)** in Windows Explorer, click **Properties**, and verify that the additional disk space is available as indicated by the increased value for **Free Space**.

7 Click **Finish** to close the **PC Restore Removal** window.

8 Restart the computer.

Using the Operating System CD

Before You Begin

If you are considering reinstalling the Windows operating system to correct a problem with a newly installed driver, first try using Windows Device Driver Rollback. (see "Using Windows Device Driver Rollback" on page 88). If Device Driver Rollback does not resolve the problem, then use System Restore to return your operating system to the operating state it was in before you installed the new device driver (see "Using Microsoft Windows System Restore" on page 93).



NOTICE: Before performing the installation, back up all data files on your primary hard drive. For conventional hard drive configurations, the primary hard drive is the first drive detected by the computer.

To reinstall Windows, you need the following items:

- Dell™ *Operating System* CD
- *Drivers and Utilities* media



NOTE: The *Drivers and Utilities* media contains drivers that were installed during assembly of the computer. Use the *Drivers and Utilities* media to load any required drivers. Depending on the region from where you ordered your computer, or whether you requested the CDs or DVDs, the *Drivers and Utilities* media and *Operating System* CD may not ship with your system.

Reinstalling Windows XP or Windows Vista

The reinstallation process can take 1 to 2 hours to complete. After you reinstall the operating system, you must also reinstall the device drivers, virus protection program, and other software.



NOTICE: The *Operating System* CD provides options for reinstalling Windows Operating System. The options will overwrite files and possibly affect programs installed on your hard drive. Therefore, do not reinstall Windows unless a Dell technical support representative instructs you to do so.



NOTE: It is highly recommended that you attempt to perform a Windows Vista system restore first and then, if necessary, a Dell OS restore (to take it back to as-shipped condition), *before* attempting a complete OS reinstallation. Complete reinstallation of the operating system is a complex task.

- 1 Save and close any open files and exit any open programs.
- 2 Insert the *Operating System* CD. Click **Exit** if the **Install Windows Vista** message appears.
- 3 Restart the computer. Press <F12> immediately after the DELL™ logo appears.




If the operating system logo appears, wait until you see the Windows desktop, and then shut down the computer and try again.



NOTE: The next steps change the boot sequence for one time only. On the next start-up, the computer boots according to the devices specified in the system setup program.

- 4 When the boot device list appears, highlight CD/DVD/CD-RW Drive and press <Enter>.
- 5 Press any key to Boot from CD-ROM.
- 6 Follow the instructions on the screen to complete the installation.

Removing and Installing Parts

-  **CAUTION:** To guard against electrical shock, laceration by moving fan blades, or other unexpected injuries, always unplug your computer from the electrical outlet before opening the cover.
-  **CAUTION:** Do not operate your computer with any cover(s) (including computer covers, bezels, filler brackets, front-panel inserts, and so on.) removed.
-  **CAUTION:** Some of the parts described in this chapter may be replaceable by a certified service technician only and are not custom replaceable.

Before You Begin

This chapter provides procedures for removing and installing the components in your computer. Unless otherwise noted, each procedure assumes that the following conditions exist:


- You have performed the steps in "Turning Off Your Computer" on page 102 and "Before Working Inside Your Computer" on page 102.
- You have read the safety information in the Dell™ *Product Information Guide*.
- A component can be replaced or—if purchased separately—installed by performing the removal procedure in reverse order.

Recommended Tools

The procedures in this document may require the following tools:

- Small flat-blade screwdriver
- Small Phillips screwdriver
- Small plastic scribe
- Flash BIOS executable update program on the Dell Support website at support.dell.com



Turning Off Your Computer

-  **NOTICE:** To avoid losing data, save and close any open files and exit any open programs before you turn off your computer.

Windows[®] XP:




- 1 Save and close any open files and exit any open programs.
- 2 Click **Start** → **Turn Off Computer** → **Turn off**.
- 3 Ensure that the computer and any attached devices are turned off. If your computer and attached devices did not automatically turn off when you shut down your operating system, press and hold the power button for at least 8 to 10 seconds until the computer turns off.


Windows Vista[®]:


- 1 Save and close any open files and exit any open programs.
- 2 Click **Start** , click the arrow , and then click **Shut Down**.
The computer turns off after the operating system shutdown process finishes.
- 3 Ensure that the computer and any attached devices are turned off. If your computer and attached devices did not automatically turn off when you shut down your operating system, press and hold the power button for at least 8 to 10 seconds until the computer turns off.

Before Working Inside Your Computer


Use the following safety guidelines to help protect your computer from potential damage and to help to ensure your own personal safety.

-  **CAUTION:** Before you begin any of the procedures in this section, follow the safety instructions in the *Product Information Guide*.
-  **NOTICE:** Handle components and cards with care. Do not touch the components or contacts on a card. Hold a card by its edges or by its metal mounting bracket. Hold a component such as a processor by its edges, not by its pins.
-  **NOTICE:** Only a certified service technician should perform repairs on your computer. Damage due to servicing that is not authorized by Dell is not covered by your warranty.

 **NOTICE:** When you disconnect a cable, pull on its connector or on its pull-tab, not on the cable itself. Some cables have connectors with locking tabs; if you are disconnecting this type of cable, press in on the locking tabs before you disconnect the cable. As you pull connectors apart, keep them evenly aligned to avoid bending any connector pins. Also, before you connect a cable, ensure that both connectors are correctly oriented and aligned.

 **NOTICE:** To disconnect a network cable, first unplug the cable from your computer and then unplug the cable from the network device.

1 Disconnect all telephone or network cables from the computer.


 **NOTICE:** To avoid damaging the system board, you must remove the main battery before you service the computer.

2 Disconnect your computer and all attached devices from their electrical outlets.

3 Press the power button to ground the system board.

 **CAUTION:** To guard against electrical shock, laceration by moving fan blades, or other unexpected injuries, always unplug your computer from the electrical outlet before opening the cover.

4 Open the computer cover.


 **NOTICE:** Before touching anything inside your computer, ground yourself by touching an unpainted metal surface, such as the metal at the back of the computer. While you work, periodically touch an unpainted metal surface to dissipate static electricity, which could harm internal components.


Removing the Computer Cover

 **CAUTION:** Before you begin any of the procedures in this section, follow the safety instructions in the *Product Information Guide*.

 **CAUTION:** To guard against electrical shock, laceration by moving fan blades, or other unexpected injuries, always unplug your computer from the electrical outlet before opening the cover.

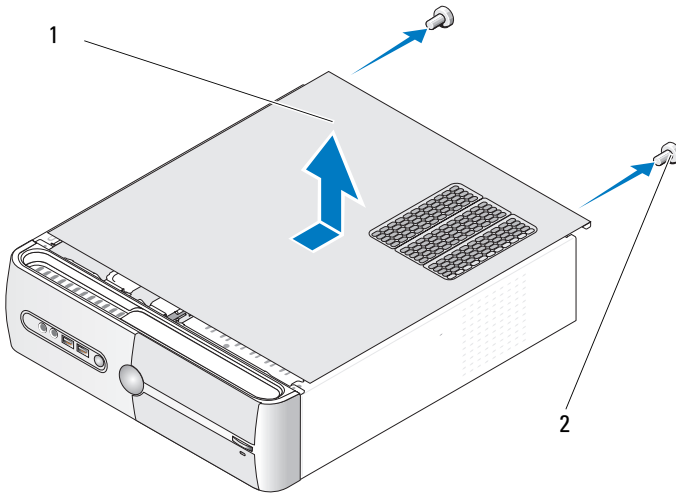
1 Follow the procedures in "Before You Begin" on page 101.

 **NOTE:** Ensure that sufficient space exists to support the removed cover.

 **NOTICE:** Ensure that you are working on a level, protected surface to avoid scratching either the computer or the surface on which it is resting.

2 Lay your computer on its side with the computer cover facing up.

- 3 Remove the two screws securing the cover, using a flat-blade screwdriver.



1 computer cover

2 screws (2)

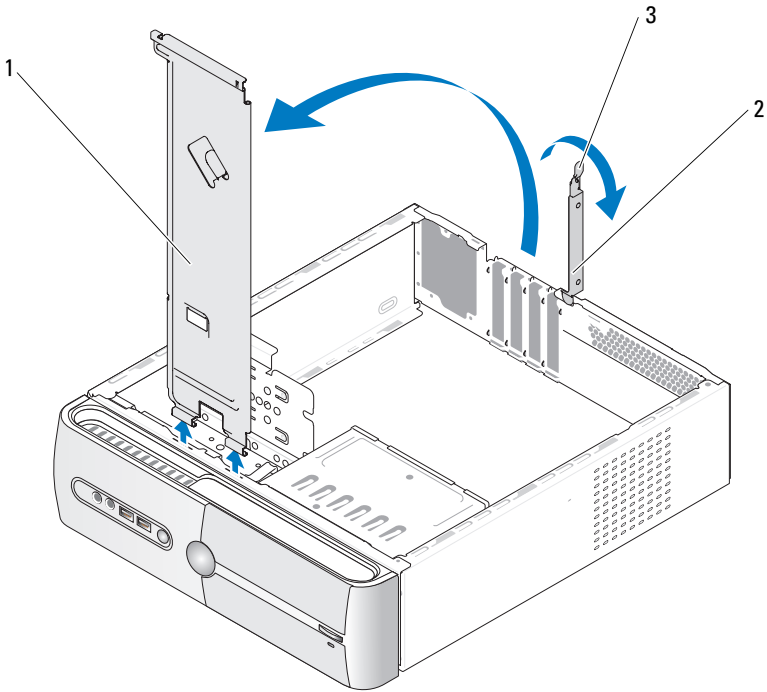
- 4 Release the computer cover by pulling it away from the front of the computer and lifting it up.
- 5 Set the cover aside in a secure location.

Removing the Support Bracket

⚠ CAUTION: Before you begin any of the procedures in this section, follow the safety instructions in the *Product Information Guide*.

- 1 Follow the procedures in "Before You Begin" on page 101.
- 2 Remove the computer cover (see "Removing the Computer Cover" on page 103).
- 3 Release the card retention bracket by lifting the card retention release lever up.

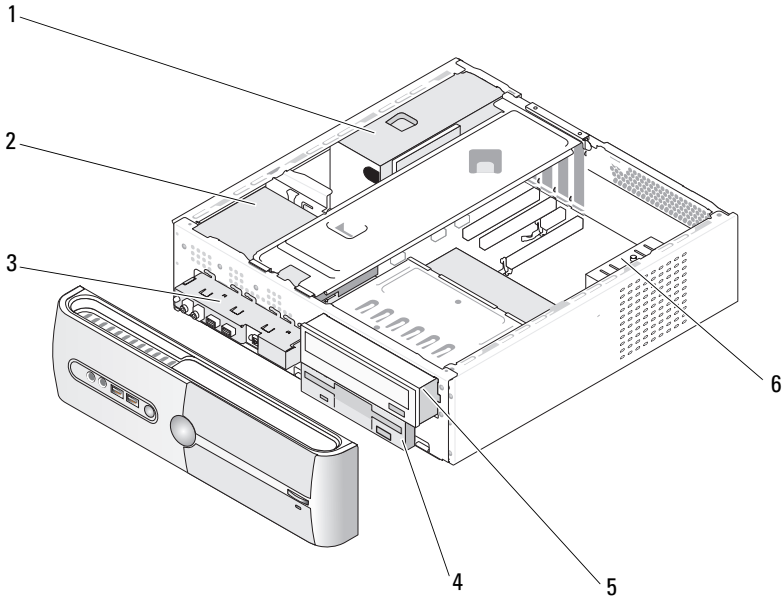
- 4 Remove any cable(s) attached to the support bracket.
- 5 Pivot the support bracket and lift it off the hinge tabs.
- 6 Set it aside in a secure location.



1 support bracket 2 card retention bracket 3 card retention release lever

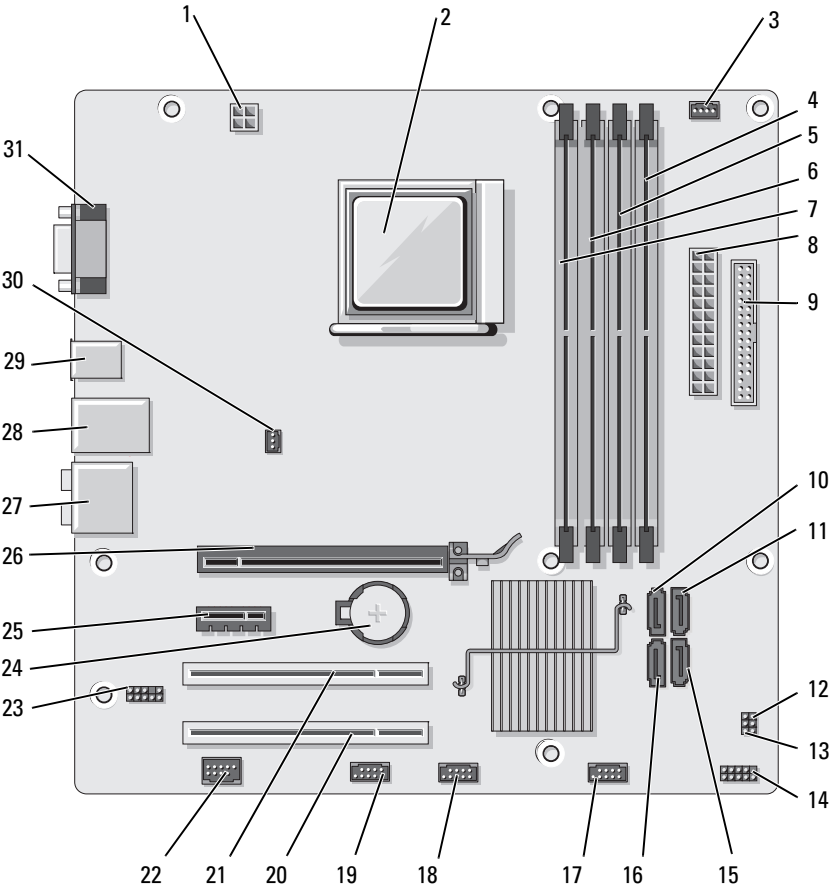
Inside View of Your Computer

⚠ CAUTION: Before you begin any of the procedures in this section, follow the safety instructions in the *Product Information Guide*.



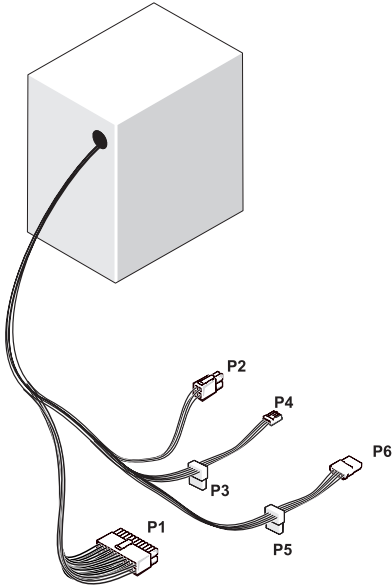
- | | | | | | |
|---|----------------------------------------------|---|-----------------|---|-----------------|
| 1 | power supply | 2 | hard drive | 3 | front I/O panel |
| 4 | floppy drive or Media Card Reader (optional) | 5 | CD or DVD drive | 6 | chassis fan |

System Board Components

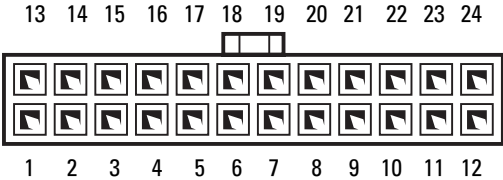


1	power for cpu (ATX_CPU)	2	processor socket (CPU)	3	processor fan connector (CPU_FAN)
4	memory module connectors (DIMM_2)	5	memory module connectors (DIMM_1)	6	memory module connectors (DIMM_4)
7	memory module connectors (DIMM_3)	8	main power connector (ATX_POWER)	9	floppy drive connector (FLOPPY)
10	serial ATA drive connectors (SATA3)	11	serial ATA drive connectors (SATA2)	12	password jumper (CLEAR_PW)
13	CMOS jumper (CLEAR CMOS)	14	front panel connector (F_PANEL)	15	serial ATA drive connectors (SATA1)
16	serial ATA drive connectors (SATA0)	17	front USB connector (F_USB3)	18	front USB connector (F_USB2)
19	FlexBay connector (F_USB1)	20	PCI connector (PCI3)	21	PCI connector (PCI2)
22	IEEE connector	23	front audio (F_AUDIO)	24	battery socket
25	PCI Express x1 connector (PCIE_X1)	26	PCI Express x16 connector (PCIE_x16)	27	audio connectors
28	one LAN and two USB connectors	29	two USB connectors	30	chassis fan connector (CHASSIS_FAN)
31	video connector (VGA)				

Power Supply DC Connector Pin Assignments



DC Power Connector P1



Pin Number	Signal name	Wire Color	Wire Size
1	3.3 V	Orange	20 AWG
2	3.3 V	Orange	20 AWG
3	RTN	Black	20 AWG
4	5 V	Red	20 AWG
5	RTN	Black	20 AWG
6	5 V	Red	20 AWG
7	RTN	Black	20 AWG
8	POK	Gray	22 AWG
9	5 V AUX	Purple	20 AWG
10	+12 V	Yellow	20 AWG
11	+12 V	Yellow	20 AWG
12	3.3 V	Orange	20 AWG
13	3.3 V	Orange	20 AWG
14	-12 V	Blue	22 AWG
15	RTN	Black	20 AWG
16	PS_ON	Green	22 AWG
17	RTN	Black	20 AWG
18	RTN	Black	20 AWG
19	RTN	Black	20 AWG
20	OPEN		
21	5 V	Red	20 AWG
22	5 V	Red	20 AWG
23	5 V	Red	20 AWG
24	RTN	Black	20 AWG

DC Power Connector P2



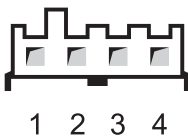
Pin Number	Signal Name	18-AWG Wire
1	GND	Black
2	GND	Black
3	+12 VADC	Yellow
4	+12 VADC	Yellow

DC Power Connectors P3, P5, and P6



Pin Number	Signal name	18-AWG Wire
1	+3.3 VDC	Orange
2	GND	Black
3	+5 VDC	Red
4	GND	Black
5	+12 VBDC	White

DC Power Connectors P4

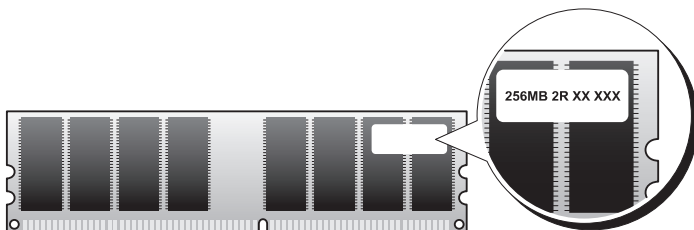


Pin Number	Signal Name	22-AWG Wire
1	+5 VCD	Red
2	GND	Black
3	GND	Black
4	+12 VDC	Yellow

Memory

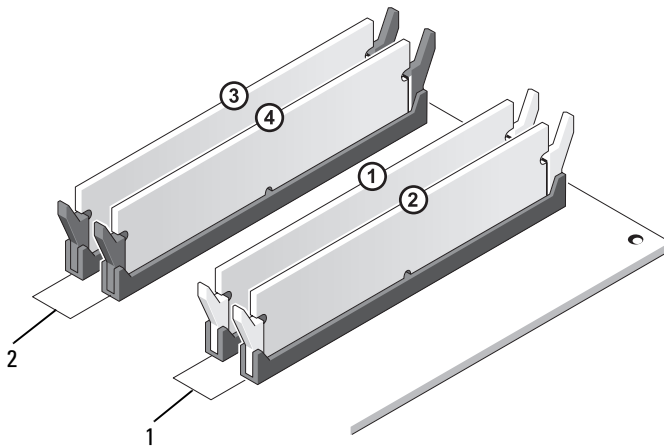
You can increase your computer memory by installing memory modules on the system board. Your computer supports DDR2 memory. For additional information on the type of memory supported by your computer, see "Memory" on page 167.

NOTICE: Do not install ECC or buffered memory modules. Only unbuffered, non-ECC memory is supported.



Memory Installation Guidelines

- DIMM connectors must be populated in a numerical order, beginning with connectors DIMM_1 and DIMM_2, then connectors DIMM_3 and DIMM_4. If a single DIMM is installed, you must install it in connector DIMM_1.
- For best performance, memory modules should be installed in *pairs of matched memory size, speed, and technology*. If the memory modules are not installed in matched pairs, the computer will operate, but with a slight reduction in performance. (See the label on the module to determine the module's capacity.) For example, if you install a mixed pair of DDR2 667-MHz and DDR2 800-MHz memory, the modules function at the slowest speed installed.



1 Pair A: matched pair of memory modules in connectors DIMM_1 and DIMM_2

2 Pair B: matched pair of memory modules in connectors DIMM_3 and DIMM_4

➡ NOTICE: If you remove your original memory modules from the computer during a memory upgrade, keep them separate from any new modules that you may have, even if you purchased the new modules from Dell. If possible, do not pair an original memory module with a new memory module. Otherwise, your computer may not start properly. You should install your original memory modules in pairs either in DIMM connectors 1 and 2 or DIMM connectors 3 and 4.

✍ NOTE: Memory purchased from Dell is covered under your computer warranty.

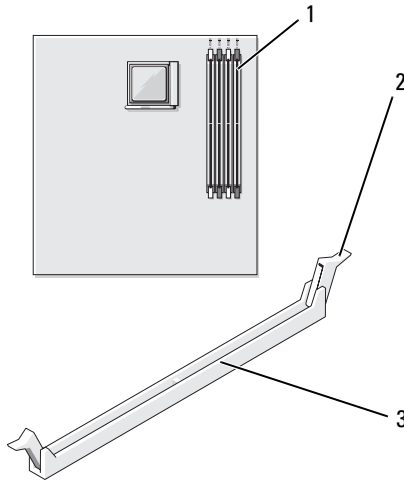
Installing Memory

⚠ CAUTION: Before you begin any of the procedures in this section, follow the safety instructions in the *Product Information Guide*.

⚠ CAUTION: Before installing memory, you must remove the PCI Express x16 card. See "Cards" on page 116.

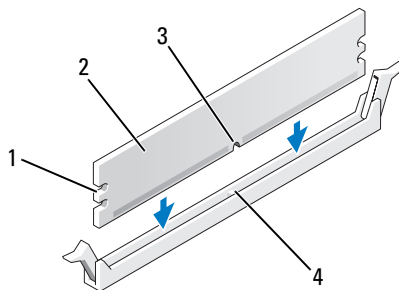
➡ NOTICE: To prevent static damage to components inside your computer, discharge static electricity from your body before you touch any of your computer's electronic components. You can do so by touching an unpainted metal surface on the computer chassis.

- 1 Follow the procedures in "Before You Begin" on page 101.
- 2 Press the securing clip at each end of the memory module connector.



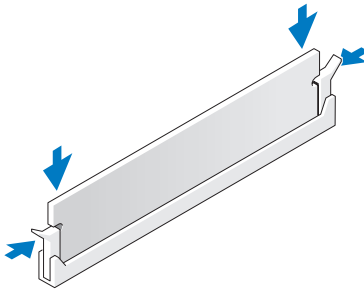
- | | | | | | |
|---|---------------------------------------------------|---|--------------------|---|-----------|
| 1 | memory connector farthest from processor (DIMM_2) | 2 | securing clips (2) | 3 | connector |
|---|---------------------------------------------------|---|--------------------|---|-----------|

- 3 Align the notch on the bottom of the module with the crossbar in the connector.



- | | | | |
|---|-------------|---|---------------|
| 1 | cutouts (2) | 2 | memory module |
| 3 | notch | 4 | crossbar |

- ➔ **NOTICE:** To avoid damage to the memory module, press the module straight down into the connector while you apply equal force to each end of the module.
- 4 Insert the module into the connector until the module snaps into position. If you insert the module correctly, the securing clips snap into the cutouts at each end of the module.



- 5 Replace the PCI Express x16 card (see "Cards" on page 116).
- 6 Replace the computer cover.
- ➔ **NOTICE:** To connect a network cable, first plug the cable into the network device and then plug it into the computer.
- 7 Connect your computer and devices to electrical outlets, and turn them on.
- 8 Right-click the **My Computer** icon and click **Properties**.
- 9 Click the **General** tab.
- 10 To verify that the memory is installed correctly, check the amount of memory (RAM) listed.

Removing Memory

- ⚠ **CAUTION:** Before you begin any of the procedures in this section, follow the safety instructions in the *Product Information Guide*.
- ➔ **NOTICE:** Before removing memory, you must remove the PCI Express x16 card. See "Cards" on page 116.
- ➔ **NOTICE:** To prevent static damage to components inside your computer, discharge static electricity from your body before you touch any of your computer's electronic components. You can do so by touching an unpainted metal surface on the computer chassis.

- 1 Follow the procedures in "Before You Begin" on page 101.
- 2 Press out the securing clip at each end of the memory module connector.
- 3 Grasp the module at the end of the board and lift up.
- 4 Replace the PCI Express x16 card (see "Cards" on page 116).

Cards



CAUTION: Before you begin any of the procedures in this section, follow the safety instructions in the *Product Information Guide*.



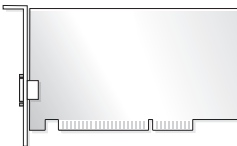
NOTICE: To prevent static damage to components inside your computer, discharge static electricity from your body before you touch any of your computer's electronic components. You can do so by touching an unpainted metal surface on the computer chassis. Your Dell™ computer provides the following slots for PCI and PCI Express cards:

- One PCI Express x16 card slot (SLOT1)
- One PCI Express x1 card slot (SLOT2)
- Two PCI card slots (SLOT3, SLOT4)

See "System Board Components" on page 107 for card slot location.

PCI and PCI Express Cards

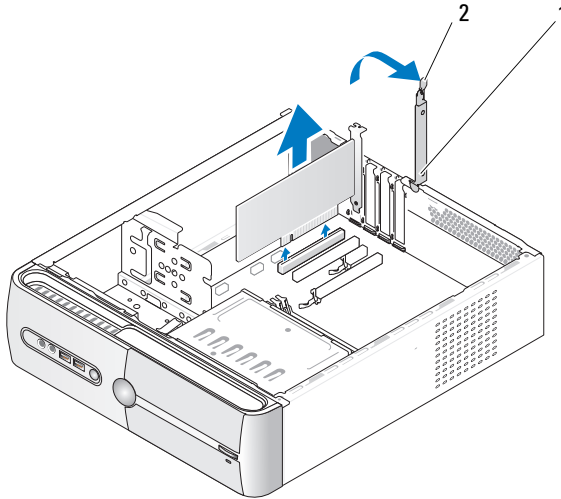
Your computer supports two PCI cards, one PCI Express x16 card and one PCI Express x1 card.



- If you are installing or replacing a card, follow the procedures in the next section.
- If you are removing but not replacing a card, see "Removing a PCI/PCI Express Card" on page 121.
- If you are replacing a card, remove the current driver for the card from the operating system.

Installing a PCI/PCI Express Card

- 1 Follow the procedures in "Before You Begin" on page 101.
- 2 Remove the computer cover (see "Removing the Computer Cover" on page 103).




1 card retention bracket 2 card retention release lever

- 3 Release the card retention bracket by lifting the card retention release lever up.
- 4 Remove the support bracket (see "Removing the Support Bracket" on page 104).
- 5 If you are installing a new card, remove the filler panel.
- 6 If you are replacing a card that is already installed in the computer, remove the card.

If necessary, disconnect any cables connected to the card.

- For PCI card, grasp the card by its top corners, and ease it out of its connector.
- For PCI Express card, pull the securing tab, grasp the card by its top corners, and then ease it out of its connector.

 **NOTE:** The position of the card shown in the illustration is indicative and may vary from the original.

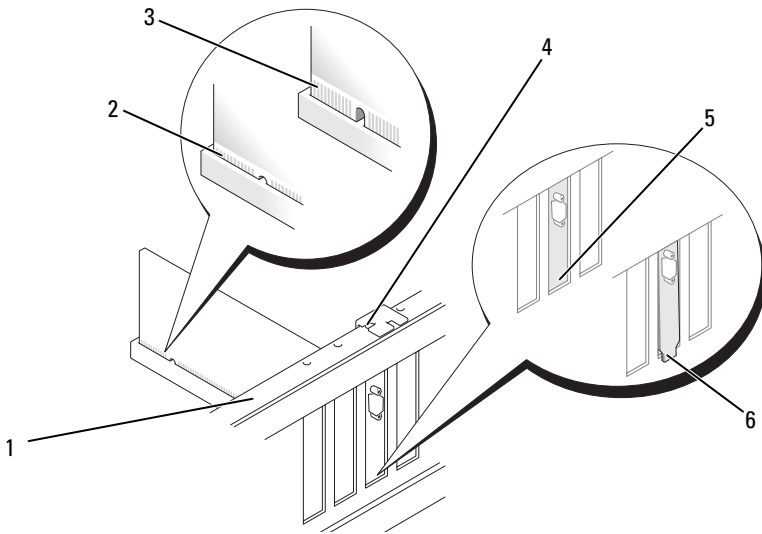
7 Prepare the card for installation.

See the documentation that came with the card for information on configuring the card, making internal connections, or otherwise customizing it for your computer.



CAUTION: Some network adapters automatically start the computer when they are connected to a network. To guard against electrical shock, laceration by moving fan blades, or other unexpected injuries, always unplug your computer from the electrical outlet before installing any cards.

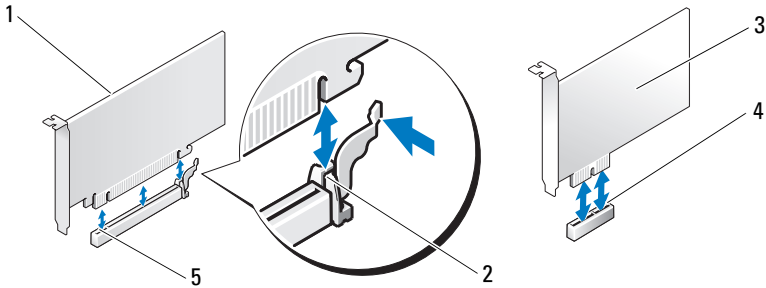
8 Place the card in the connector and press down firmly. Ensure that the card is fully seated in the slot.



- 1 alignment bar 2 fully-seated card 3 not fully-seated card
4 alignment guide 5 bracket within slot 6 bracket caught outside of slot

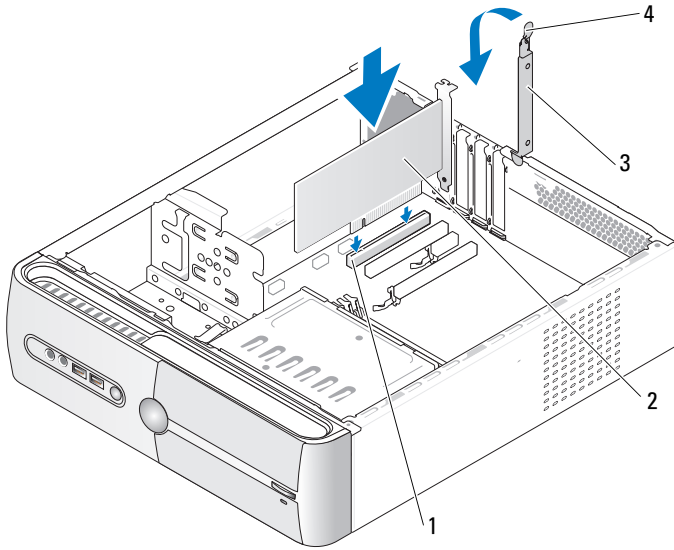
9 If you are installing the PCI Express card into the x16 card connector, position the card so the securing tab is aligned with the securing tab.

- 10** Place the card in the connector and press down firmly. Ensure that the card is fully seated in the slot.



- 1 PCI Express x16 card 2 securing tab 3 PCI Express x1 card
- 4 PCI Express x1 card slot 5 PCI Express x16 card slot

- 11** Fix the support bracket and then press down the card retention bracket to seat it on its slot ensuring that:
- The guide clamp is aligned with the guide notch.
 - The tops of all cards and filler brackets are flush with the alignment bar.
 - The notch in the top of the card or filler bracket fits around the alignment guide.



- | | | | |
|---|------------------------|---|------------------------------|
| 1 | PCI card slot | 2 | PCI card |
| 3 | card retention bracket | 4 | card retention release lever |

12 Connect any cables that should be attached to the card.

See the documentation for the card for information about the card's cable connections.

➔ **NOTICE:** Do not route card cables over or behind the cards. Cables routed over the cards can prevent the computer cover from closing properly or cause damage to the equipment.

➔ **NOTICE:** To connect a network cable, first plug the cable into the network device and then plug it into the computer.

13 Replace the computer cover, reconnect the computer and devices to electrical outlets, and then turn them on.



- 14** If you installed a sound card:
 - a** Enter system setup (see "System Setup" on page 172), go to **Onboard Devices** and select **Integrated Audio**, and then change the setting to **Off**.
 - b** Connect external audio devices to the sound card's connectors. Do not connect external audio devices to the microphone, speaker/headphone, or line-in connectors on the back panel (see "Back Panel Connectors" on page 19).
- 15** If you installed an add-in network adapter and want to disable the integrated network adapter:
 - a** Enter system setup (see "System Setup" on page 172), go to **Onboard Devices** and select **Integrated NIC**, and then change the setting to **Off**.
 - b** Connect the network cable to the add-in network adapter's connectors. Do not connect the network cable to the integrated connector on the back panel (see "Back Panel Connectors" on page 19).
- 16** Install any drivers required for the card as described in the card documentation.

Removing a PCI/PCI Express Card

- 1** Follow the procedures in "Before You Begin" on page 101.
- 2** Remove the computer cover (see "Removing the Computer Cover" on page 103).
- 3** Remove the support bracket (see "Removing the Support Bracket" on page 104).
- 4** Lift the card retention bracket.
- 5** If you are replacing a card that is already installed in the computer, remove the card.

If necessary, disconnect any cables connected to the card.

- For PCI card, grasp the card by its top corners, and ease it out of its connector.
- For PCI Express card, pull the securing tab, grasp the card by its top corners, and then ease it out of its connector.

- 6 If you are removing the card permanently, install a filler bracket in the empty card-slot opening.
 -  **NOTE:** Installing filler brackets over empty card-slot openings is necessary to maintain FCC certification of the computer. The brackets also keep dust and dirt out of your computer.
- 7 Fix the card retention bracket by pressing it down.
-  **NOTICE:** To connect a network cable, first plug the cable into the network device and then plug it into the computer.
- 8 Replace the card retention bracket, ensuring that:
 - The guide clamp is aligned with the guide notch.
 - The tops of all cards and filler brackets are flush with the alignment bar.
 - The notch in the top of the card or filler bracket fits around the alignment guide.
- 9 Replace the computer cover, reconnect the computer and devices to electrical outlets, and then turn them on.
- 10 Remove the card's driver from the operating system.
- 11 If you removed a sound card:
 - a Enter system setup (see "System Setup" on page 172), go to **Onboard Devices** and select **Integrated Audio**, and then change the setting to **On**.
 - b Connect external audio devices to the audio connectors on the back panel of the computer (see "Back Panel Connectors" on page 19).
- 12 If you removed an add-in network connector:
 - a Enter system setup (see "System Setup" on page 172), go to **Onboard Devices** and select **Integrated NIC**, and then change the setting to **On**.
 - b Connect the network cable to the integrated connector on the back panel of the computer (see "Back Panel Connectors" on page 19).

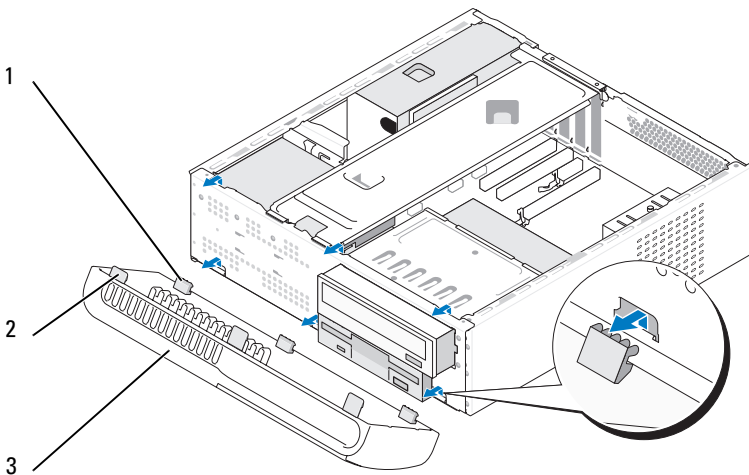
Bezel

⚠ CAUTION: Before you begin any of the procedures in this section, follow the safety instructions in the *Product Information Guide*.

⚠ CAUTION: To guard against electrical shock, laceration by moving fan blades, or other unexpected injuries, always unplug your computer from the electrical outlet before opening the cover.

Removing the Bezel

- 1 Follow the procedures in "Before You Begin" on page 101.
- 2 Remove the computer cover (see "Removing the Computer Cover" on page 103).

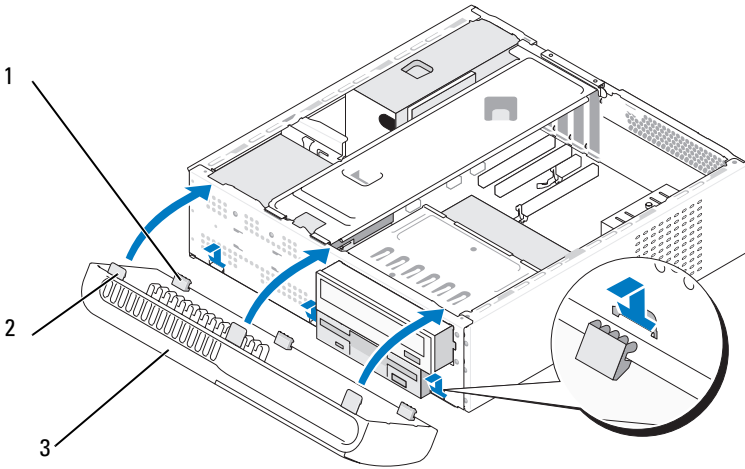


1 bezel bottom tabs (3) 2 bezel top tabs (3) 3 bezel

- 3 Grasp and lift the bezel tabs one at a time to release it from the front panel.
- 4 Set aside the bezel in a secure location.

Replacing the Bezel

- 1 Align and insert the bottom bezel tabs into the front panel hinges.



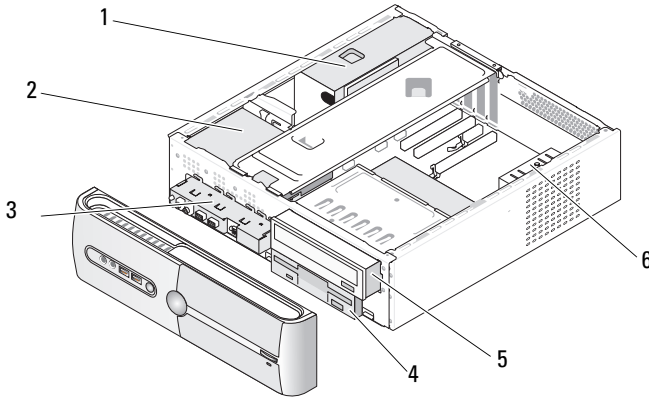
1 bezel bottom tabs (3) 2 bezel top tabs (3) 3 bezel

- 2 Rotate the bezel toward the computer until it snaps into place on the front panel.

Drives

Your computer supports a combination of these devices:

- Up to two serial ATA hard drives
- One optional floppy drive or an optional Media Card Reader
- One CD or DVD drive



- | | | | | | |
|---|----------------------------------------------|---|-----------------|---|-----------------|
| 1 | power supply | 2 | hard drive | 3 | front I/O panel |
| 4 | floppy drive or Media Card Reader (optional) | 5 | CD or DVD drive | 6 | chassis fan |

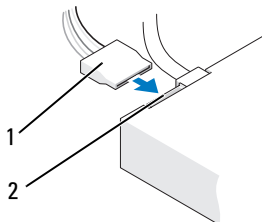
Recommended Drive Cable Connections

- Connect serial ATA hard drives to connectors labeled "SATA0" or "SATA1" on the system board.
- Connect serial ATA CD or DVD drives to connectors labeled "SATA2" or "SATA3" on the system board.

Connecting Drive Cables

When you install a drive, you connect two cables—a DC power cable and a data cable—to the back of the drive.

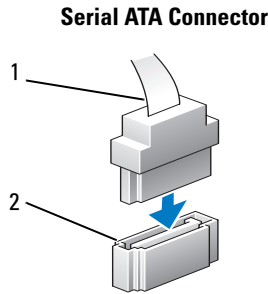
Power Connector



- | | | | |
|---|-------------|---|-----------------------|
| 1 | power cable | 2 | power input connector |
|---|-------------|---|-----------------------|

Drive Interface Connectors

The drive cable connectors are keyed for correct insertion. Properly align the cable connector key on the cable and the drive before connecting.







1 interface cable 2 interface connector

Connecting and Disconnecting Drive Cables

When connecting and disconnecting a serial ATA data cable, disconnect the cable using the pull-tab.

The serial ATA interface connectors are keyed for correct insertion; that is, a notch or a missing pin on one connector matches a tab or a filled-in hole on the other connector.

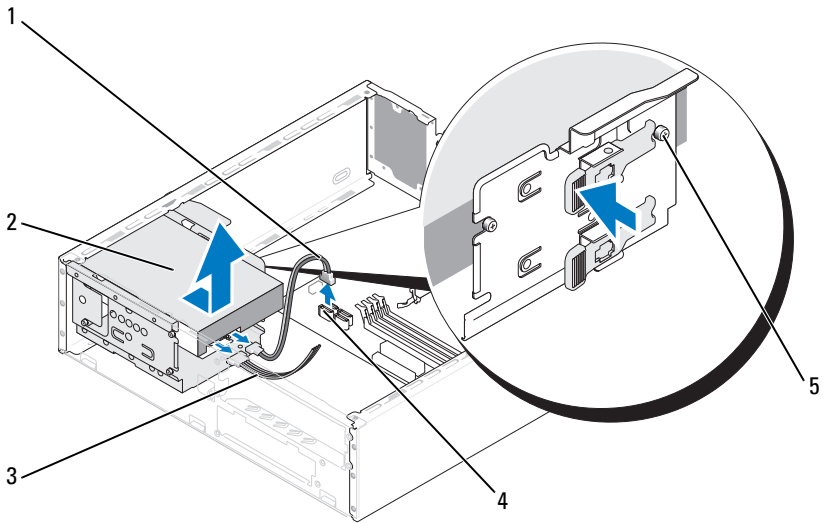
Hard Drives

-  **CAUTION:** Before you begin any of the procedures in this section, follow the safety instructions in the *Product Information Guide*.
-  **CAUTION:** To guard against electrical shock, laceration by moving fan blades, or other unexpected injuries, always unplug your computer from the electrical outlet before opening the cover.
-  **NOTICE:** To avoid damage to the drive, do not set it on a hard surface. Instead, set the drive on a surface, such as a foam pad, that will sufficiently cushion it.
-  **NOTICE:** If you are replacing a hard drive that contains data you want to keep, back up your files before you begin this procedure.

Check the documentation for the drive to verify that it is configured for your computer.

Removing a Hard Drive

- 1 Follow the procedures in "Before You Begin" on page 101.
- 2 Remove the computer cover (see "Removing the Computer Cover" on page 103).
- 3 Remove the support bracket (see "Removing the Support Bracket" on page 104).
- 4 Disconnect the power and data cables from the drive.



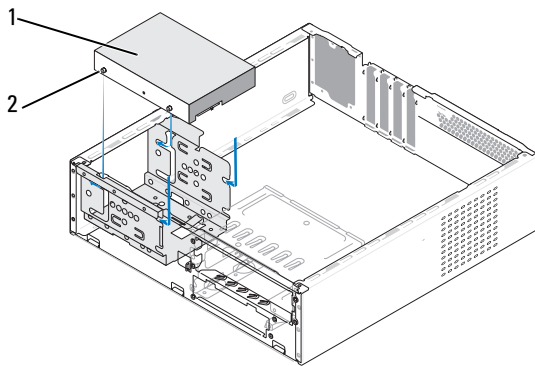
- | | | |
|--------------------------|-----------------------|---------------|
| 1 serial ATA data cable | 2 hard drive | 3 power cable |
| 4 system board connector | 5 shoulder screws (4) | |

- 5 Disconnect the data cable from the system board.
- 6 Press in on the tab on the side of the drive and slide the drive out and up to remove the drive from the chassis.
- 7 If removing this drive changes the drive configuration, then be sure to reflect these changes in system setup. When you restart your computer, enter system setup (see "System Setup" on page 172), then go to the "Drives" section of the system setup and under **Drive 0 through 3**, set the Drive to the correct configuration.


- 8 Replace the support bracket (see "Replacing the Support Bracket" on page 164).
- 9 Replace the computer cover (see "Replacing the Computer Cover" on page 165).
- 10 Connect computer and other devices to an electrical outlet.

Installing a Hard Drive

- 1 Follow the procedures in "Before You Begin" on page 101.
- 2 Remove the computer cover (see "Removing the Computer Cover" on page 103).
- 3 Remove the support bracket (see "Removing the Support Bracket" on page 104).
- 4 Check the documentation for the drive to verify that it is configured for your computer.
- 5 Attach the shoulder screws to the hard drive.
- 6 Connect the power and data cables to the drive.
- 7 Connect the data cable to the system board.
- 8 Slide the hard drive into the hard drive bay.



1 hard drive 2 shoulder screws (4)

- 9 Check all cables to be certain that they are properly connected and firmly seated.
- 10 Replace the support bracket (see "Replacing the Support Bracket" on page 164).
- 11 Replace the computer cover (see "Replacing the Computer Cover" on page 165).
-  **NOTICE:** To connect a network cable, first plug the cable into the network port or device and then plug it into the computer.
- 12 Connect your computer and devices to electrical outlets, and then turn them on.
- 13 See the documentation that came with the drive for instructions on installing any software required for drive operation.
- 14 Check the system setup for drive configuration changes (see "Entering System Setup" on page 172).

Installing a Second Hard Drive (Optional)



CAUTION: Before you begin any of the procedures in this section, follow the safety instructions in the *Product Information Guide*.



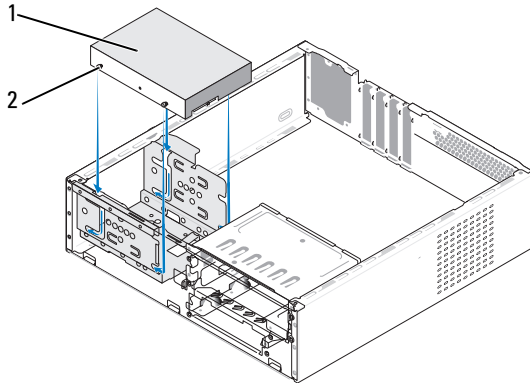
CAUTION: To guard against electrical shock, laceration by moving fan blades, or other unexpected injuries, always unplug your computer from the electrical outlet before opening the cover.



NOTICE: To avoid damage to the drive, do not set it on a hard surface. Instead, set the drive on a surface, such as a foam pad, that will sufficiently cushion it.

- 1 Follow the procedures in "Before You Begin" on page 101.
- 2 Remove the computer cover (see "Removing the Computer Cover" on page 103).
- 3 Remove the support bracket (see "Removing the Support Bracket" on page 104).
- 4 Check the documentation for the drive to verify that it is configured for your computer.
- 5 Remove the first hard drive (see "Removing a Hard Drive" on page 127).
- 6 Attach the shoulder screws to the second hard drive.
- 7 Connect the power and data cables to the drive.

- 8 Connect the data cable to the system board.
- 9 Slide the second hard drive into the second hard drive bay.
- 10 Install the first hard drive (see "Installing a Hard Drive" on page 128).
- 11 Check all cables to be certain that they are properly connected and firmly seated.



1 hard drive 2 shoulder screws (4)

- 12 Replace the support bracket (see "Replacing the Support Bracket" on page 164).
- 13 Replace the computer cover (see "Replacing the Computer Cover" on page 165).
- ➔ **NOTICE:** To connect a network cable, first plug the cable into the network port or device and then plug it into the computer.
- 14 Connect your computer and devices to electrical outlets, and then turn them on.
- 15 See the documentation that came with the drive for instructions on installing any software required for drive operation.
- 16 Check the system setup for drive configuration changes (see "Entering System Setup" on page 172).

Floppy Drive



CAUTION: Before you begin any of the procedures in this section, follow the safety instructions in the *Product Information Guide*.




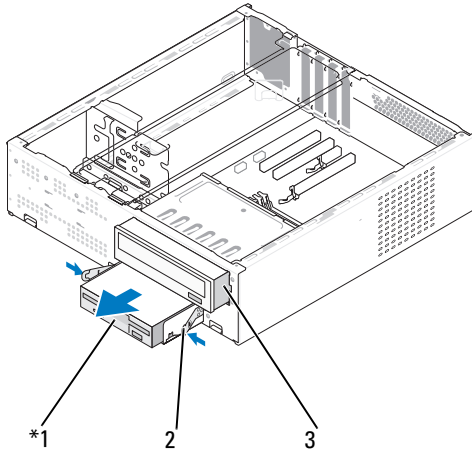
CAUTION: To guard against electrical shock, laceration by moving fan blades, or other unexpected injuries, always unplug your computer from the electrical outlet before opening the cover.



NOTE: If you are adding a floppy drive, see "Installing a Floppy Drive" on page 133.

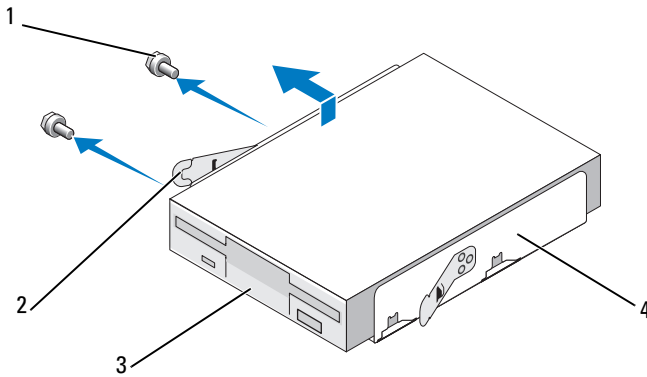
Removing a Floppy Drive

- 1 Follow the procedures in "Before You Begin" on page 101.
- 2 Remove the computer cover (see "Removing the Computer Cover" on page 103).
- 3 Remove the bezel (see "Removing the Bezel" on page 123).
- 4 Remove the CD or DVD drive (see "Removing a CD or DVD Drive" on page 142).
- 5 Disconnect the power and data cables from the back of the floppy drive.
 -  **NOTE:** If you have installed a PCI Express x16 card, this card may cover the floppy-drive connectors. Remove this card before disconnecting the floppy-drive cables (see "Removing a PCI/PCI Express Card" on page 121)
- 6 Disconnect the data cable from the system board.
- 7 Press the two spring clamps and slide out the floppy drive along with the FlexBay drive cage from the FlexBay slot.



*Not present on all computers.

- 1 floppy drive 2 spring clamp (2) 3 CD or DVD drive

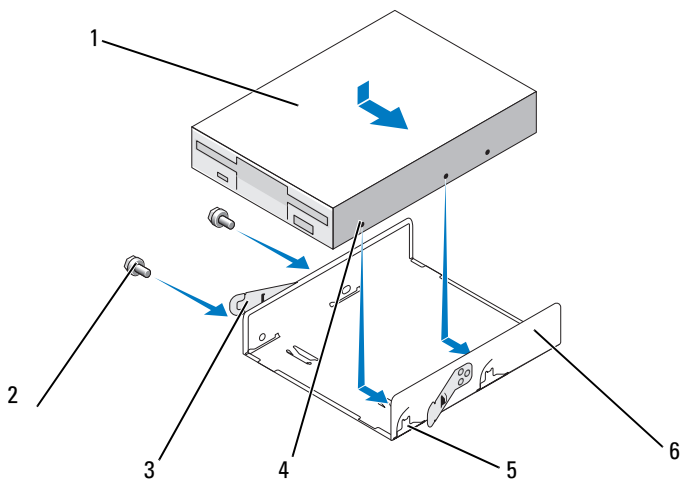


- 1 screws (2) 2 spring clamp (2)
 3 floppy drive 4 FlexBay drive cage

- 8 Remove the two screws holding the floppy drive in the FlexBay drive cage.
- 9 Lift the floppy drive to separate it from the FlexBay drive cage.
- 10 Slide the FlexBay drive cage in the FlexBay slot till it snaps in place.
- 11 Replace the CD or DVD drive (see "Installing a CD or DVD Drive" on page 143).
- 12 Reinstall the FlexBay drive insert (see "Replacing the FlexBay Drive Insert" on page 136).
- 13 Replace the bezel (see "Replacing the Bezel" on page 124).
- 14 Replace the computer cover (see "Replacing the Computer Cover" on page 165).
- 15 Connect your computer and devices to electrical outlets, and then turn them on.
- 16 Check the system setup for the appropriate diskette Drive Option changes (see "Entering System Setup" on page 172).

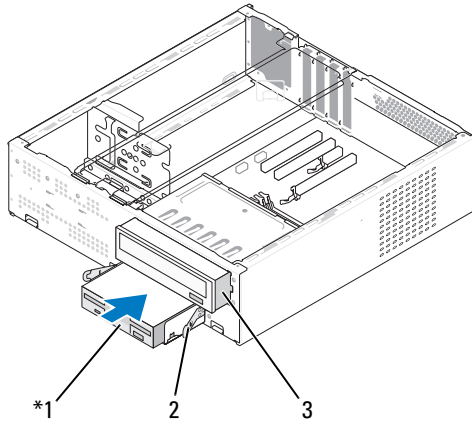
Installing a Floppy Drive

- 1 Follow the procedures in "Before You Begin" on page 101.
- 2 Remove the computer cover (see "Removing the Computer Cover" on page 103).
- 3 Remove the bezel (see "Removing the Bezel" on page 123).
- 4 Remove the CD or DVD drive (see "Removing a CD or DVD Drive" on page 142).
- 5 Remove the FlexBay drive insert (see "Removing the FlexBay Drive Insert" on page 136).
- 6 Press the two spring clamps and slide out the FlexBay drive cage from the front of the system (see "Removing a Floppy Drive" on page 131).
- 7 Place the floppy drive in the FlexBay drive cage and slide it towards the cage notch to align the cage notch with the notch holes in the floppy drive.



- | | | |
|------------------|------------------|---------------------|
| 1 floppy drive | 2 screws (2) | 3 spring clamp (2) |
| 4 notch hole (2) | 5 cage notch (2) | 6 floppy drive cage |

- 8 Align the two screw holes on the floppy drive with the FlexBay drive cage.
- 9 Tighten the two screws to secure the floppy drive in the FlexBay drive cage.
- 10 Slide the FlexBay drive cage along with the floppy drive in the FlexBay slot till it snaps in place.



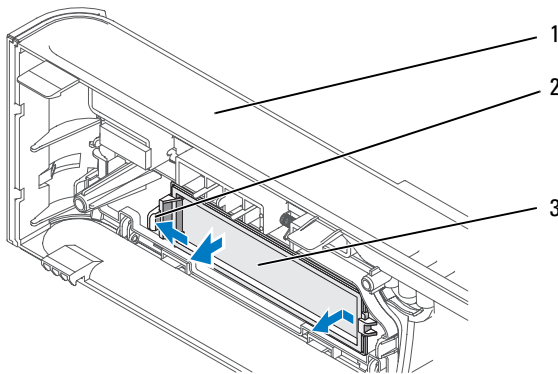
1 floppy drive 2 spring clamp 3 CD or DVD drive

- 11 Attach the power and data cables to the floppy drive.
 - 12 Connect the other end of the data cable to the connector labeled "FLOPPY" on the system board (see "System Board Components" on page 107) and route the cable through the clip on the shroud.
 - 13 Check all cable connections, and fold cables out of the way to avoid blocking airflow between the fan and cooling vents.
 - 14 Replace the CD or DVD drive. (see "Installing a CD or DVD Drive" on page 143).
 - 15 Replace the bezel (see "Replacing the Bezel" on page 124).
 - 16 Replace the computer cover (see "Replacing the Computer Cover" on page 165).
- ➡ NOTICE:** To connect a network cable, first plug the cable into the network device and then plug it into the computer.

- 17 Connect your computer and devices to their electrical outlets, and turn them on.
See the documentation that came with the drive for instructions on installing any software required for drive operation.
- 18 Enter system setup (see "System Setup" on page 172) and select the appropriate **Diskette Drive** option.
- 19 Verify that your computer works correctly by running the Dell Diagnostics (see "Dell Diagnostics" on page 84).

Removing the FlexBay Drive Insert

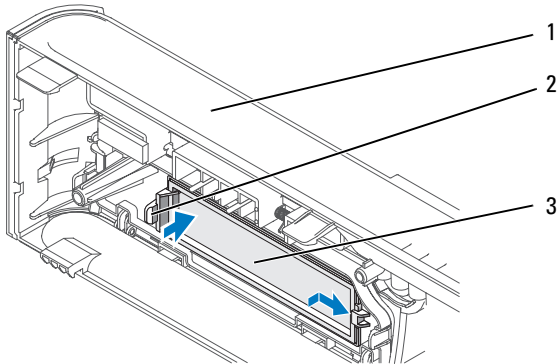
- 1 Gently press on the insert lever outward to release the lock.
- 2 Slide the FlexBay drive insert in the direction of the insert lever.
- 3 Pull the FlexBay drive insert away from the bezel.




1 bezel 2 insert lever 3 FlexBay drive insert

Replacing the FlexBay Drive Insert

- 1 Align the FlexBay drive insert in place.
- 2 Push the insert lever towards the bezel till it snaps in place.




1 bezel 2 insert lever 3 FlexBay drive insert

 **NOTE:** To comply with FCC regulations, it is recommended that you replace the FlexBay drive insert whenever the floppy drive is removed from the computer.

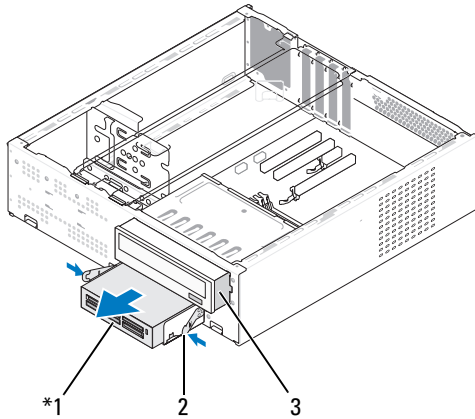
Media Card Reader

 **CAUTION:** Before you begin any of the procedures in this section, follow the safety instructions in the *Product Information Guide*.

 **CAUTION:** To guard against electrical shock, laceration by moving fan blades, or other unexpected injuries, always unplug your computer from the electrical outlet before opening the cover.

Removing a Media Card Reader

- 1 Follow the procedures in "Before You Begin" on page 101.
- 2 Remove the computer cover (see "Removing the Computer Cover" on page 103).
- 3 Remove the bezel (see "Removing the Bezel" on page 123).
- 4 Remove the CD or DVD drive (see "Removing a CD or DVD Drive" on page 142).
- 5 Disconnect the FlexBay USB cable and the power cable from the back of the Media Card Reader and from the internal USB connector on the system board (see "System Board Components" on page 107).
- 6 Press the two spring clamps and slide out the Media Card Reader along with the FlexBay drive cage from the FlexBay slot.

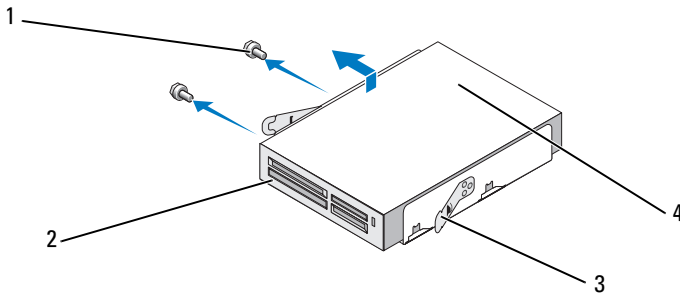


* Not present on all computers.

1 Media Card Reader 2 spring clamp 3 CD or DVD drive

7 Remove the two screws holding the floppy drive in the floppy drive cage.

8 Lift the Media Card Reader to separate it from the FlexBay drive cage.

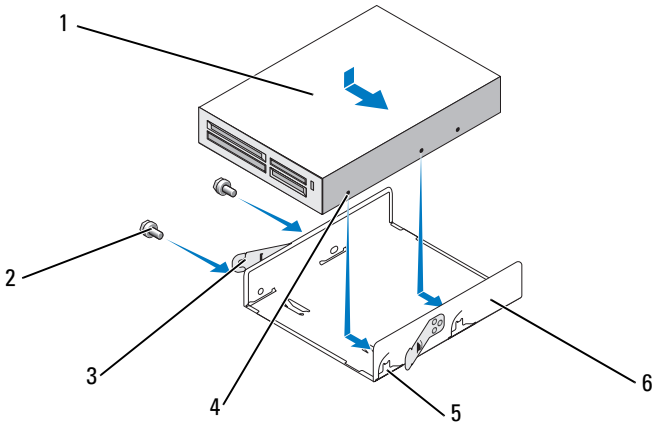


1 screws (2) 2 spring clamp (2)
 3 Media Card Reader 4 FlexBay drive cage

- 9 Slide the FlexBay drive cage in the FlexBay slot till it snaps in place.
- 10 Replace the CD or DVD drive. (see "Installing a CD or DVD Drive" on page 143).
- 11 Reinstall the FlexBay drive insert (see "Replacing the FlexBay Drive Insert" on page 136).
- 12 Replace the bezel (see "Replacing the Bezel" on page 124).
- 13 Replace the computer cover (see "Replacing the Computer Cover" on page 165).
- 14 Connect your computer and devices to electrical outlets, and then turn them on.

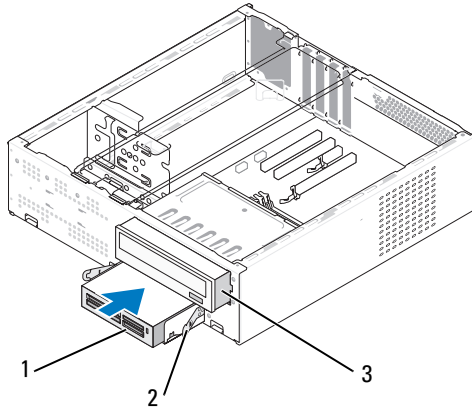
Installing a Media Card Reader

- 1 Follow the procedures in "Before You Begin" on page 101.
- 2 Remove the computer cover (see "Removing the Computer Cover" on page 103).
- 3 Remove the bezel (see "Removing the Bezel" on page 123).
- 4 Remove the CD or DVD drive (see "Removing a CD or DVD Drive" on page 142).
- 5 Remove the Media Card Reader from its packaging.
- 6 Remove the FlexBay drive insert (see "Removing the FlexBay Drive Insert" on page 136).
- 7 Press the two spring clamps and slide out the FlexBay drive cage from the front of the system.




- 1 Media Card Reader 2 screws (2) 3 spring clamp (2)
4 notch hole (2) 5 cage notch (2) 6 floppy drive cage

- 8** Place the Media Card Reader in the FlexBay drive cage and slide it towards the cage notch to align the cage notch with the notch holes in the floppy drive.
- 9** Align the two screw holes on the floppy drive with the FlexBay drive cage.
- 10** Tighten the two screws to secure the floppy drive in the FlexBay drive cage.
- 11** Slide the FlexBay drive cage along with the floppy drive in the FlexBay slot till it snaps in place.




- 1 Media Card Reader 2 spring clamp 3 CD or DVD drive

 **NOTE:** Ensure that the Media Card Reader is installed before the FlexBay cable is connected.

- 12 Connect the FlexBay USB cable to the back of the Media Card Reader and to the internal USB connector on the system board (see "System Board Components" on page 107).
- 13 Replace the CD or DVD drive. (see "Installing a CD or DVD Drive" on page 143).
- 14 Replace the bezel (see "Replacing the Bezel" on page 124).
- 15 Replace the computer cover (see "Replacing the Computer Cover" on page 165).
- 16 Connect your computer and devices to electrical outlets, and then turn them on.

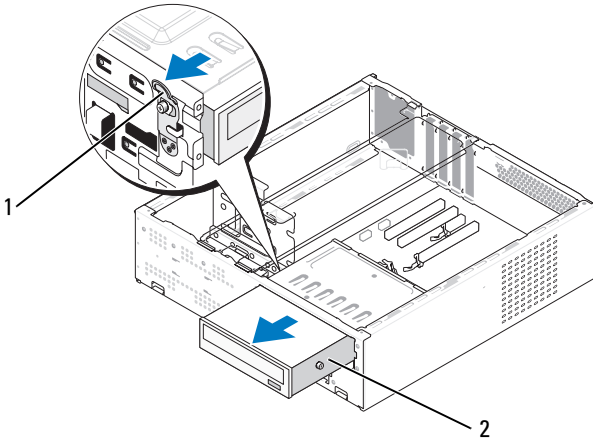
CD or DVD Drive

 **CAUTION:** Before you begin any of the procedures in this section, follow the safety instructions located in the *Product Information Guide*.

 **CAUTION:** To guard against electrical shock, laceration by moving fan blades, or other unexpected injuries, always unplug your computer from the electrical outlet before opening the cover.

Removing a CD or DVD Drive

- 1 Follow the procedures in "Before You Begin" on page 101.
- 2 Remove the computer cover (see "Removing the Computer Cover" on page 103).
- 3 Remove the bezel (see "Removing the Bezel" on page 123).
- 4 Disconnect the CD or DVD drive data cable from the system board connector.
- 5 Disconnect the power cable and the CD or DVD drive data cable from the back of the drive.
- 6 Pull the lever gently to release the CD or DVD drive.
- 7 Slide the CD or DVD drive out through the front of the computer.

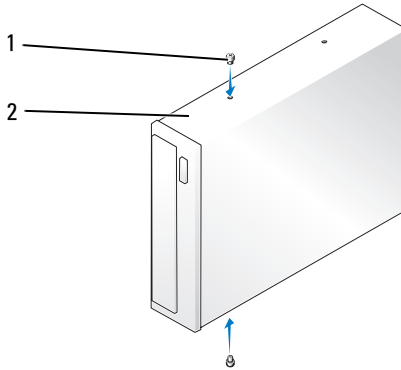


1 lever 2 CD or DVD drive

- 8 Replace the bezel (see "Replacing the Bezel" on page 124).
- 9 Replace the computer cover (see "Replacing the Computer Cover" on page 165).
- 10 Connect your computer and devices to electrical outlets, and then turn them on.
- 11 Configure the drives in system setup (see "Entering System Setup" on page 172).

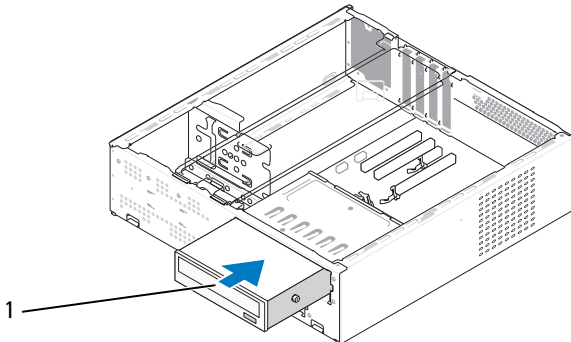
Installing a CD or DVD Drive

- 1 Follow the procedures in "Before You Begin" on page 101.
- 2 Remove the computer cover (see "Removing the Computer Cover" on page 103).
- 3 Remove the bezel (see "Removing the Bezel" on page 123).




1 shoulder screws (2) CD or DVD drive

- 4 Fix the two shoulder screws on the CD or DVD drive.
- 5 Align the shoulder screw of the CD or DVD drive with the slots in the CD or DVD drive bay.
- 6 Gently slide the CD or DVD drive till it snaps in place.



1 CD or DVD drive


- 7 Connect the power and data cables to the drive.
- 8 Connect the data cable to the system board connector on the system board.
- 9 Replace the bezel (see "Replacing the Bezel" on page 124).
- 10 Replace the computer cover (see "Replacing the Computer Cover" on page 165).
-  **NOTICE:** To connect a network cable, first plug the cable into the network device and then plug it into the computer.
- 11 Connect your computer and devices to their electrical outlets, and turn them on.

See the documentation that came with the drive for instructions on installing any software required for drive operation.
- 12 Enter system setup (see "System Setup" on page 172) and select the appropriate **Drive** option.
- 13 Verify that your computer works correctly by running the Dell Diagnostics (see "Dell Diagnostics" on page 84).


Battery

Replacing the Battery

 **CAUTION:** Before you begin any of the procedures in this section, follow the safety instructions in the *Product Information Guide*.

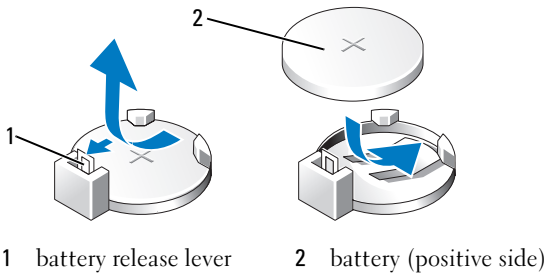
 **NOTICE:** To prevent static damage to components inside your computer, discharge static electricity from your body before you touch any of your computer's electronic components. You can do so by touching an unpainted metal surface on the computer chassis.

A coin-cell battery maintains computer configuration, date, and time information. The battery can last several years. If you have to repeatedly reset time and date information after turning on the computer, replace the battery.

 **CAUTION:** A new battery can explode if it is incorrectly installed. Replace the battery only with the same or equivalent type recommended by the manufacturer. Discard used batteries according to the manufacturer's instructions.

To replace the battery:

- 1 Record all the screens in system setup (see "System Setup" on page 172) so that you can restore the correct settings in step 11.
- 2 Follow the procedures in "Before You Begin" on page 101.
- 3 Remove the computer cover (see "Removing the Computer Cover" on page 103).
- 4 Locate the battery socket (see "System Board Components" on page 107).
- 5 Remove the support bracket (see "Removing the Support Bracket" on page 104).
- 6 Carefully press the battery release lever away from the battery and the battery will pop out.
- 7 Insert the new battery into the socket with the side labeled "+" facing up, then snap the battery into place.



- 8 Replace the support bracket (see "Replacing the Support Bracket" on page 164).
- 9 Replace the computer cover (see "Replacing the Computer Cover" on page 165).
- ➔ **NOTICE:** To connect a network cable, first plug the cable into the network device and then plug it into the computer.
- 10 Connect your computer and devices to electrical outlets, and then turn them on.
- 11 Enter system setup (see "System Setup" on page 172) and restore the settings you recorded in step 1. Then go to the **Maintenance** section and clear the low battery and other errors associated with the battery replacement in the **Event Log**.
- 12 Properly dispose of the old battery.
See the *Product Information Guide* for battery disposal information.

Power Supply



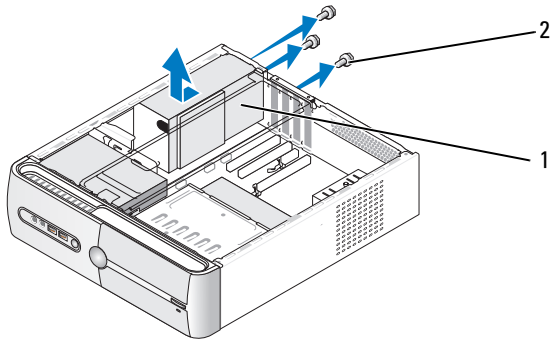
CAUTION: Before you begin any of the procedures in this section, follow the safety instructions located in the *Product Information Guide*.



NOTICE: To prevent static damage to components inside your computer, discharge static electricity from your body before you touch any of your computer's electronic components. You can do so by touching an unpainted metal surface on the computer chassis.

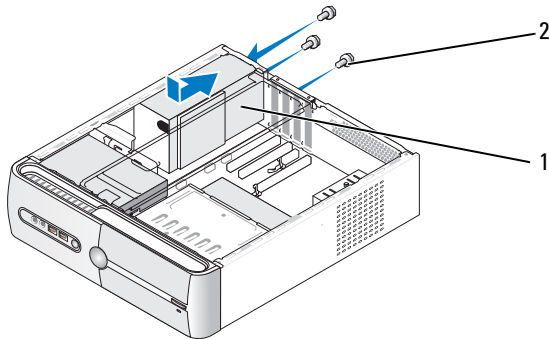
Replacing the Power Supply

- 1 Follow the procedures in "Before You Begin" on page 101.
- 2 Remove the computer cover (see "Removing the Computer Cover" on page 103).
- 3 Remove the support bracket (see "Removing the Support Bracket" on page 104).
- 4 Disconnect the DC power cables from the system board and the drives.
Note the routing of the DC power cables underneath the tabs in the computer chassis as you remove them from the system board and drives. You must route these cables properly when you replace them to prevent them from being pinched or crimped.
- 5 Remove the CD or DVD drive (see "Removing a CD or DVD Drive" on page 142).
- 6 Remove the hard drive cable, CD or DVD drive data cable, front panel ribbon cable, and any other cables from the securing clip on the side of the power supply.
- 7 Remove the three screws that attach the power supply to the back of the computer chassis.



1 power supply 2 screws (3)

- 8 Slide out the power supply and lift it out.
- 9 Slide the replacement power supply toward the back of the computer.





1 power supply 2 screws (3)

- 10 Replace and tighten all screws that secure the power supply to the back of the computer chassis.

! **CAUTION:** Failure to replace and tighten all screws may cause electrical shock as these screws are a key part of the system grounding.

➔ **NOTICE:** Route the DC power cables under the chassis tabs. The cables must be properly routed to prevent the cables from being damaged.

- 11 Reconnect the DC power cables to the system board and drives.
- 12 Replace the CD or DVD drive (see "Installing a CD or DVD Drive" on page 143).
- 13 Secure the hard drive cable, CD or DVD drive data cable, and the front panel ribbon cable to the securing clip on the side of the power supply.
 **NOTE:** Double-check all cable connections to make sure they are secure.
- 14 Replace the computer cover (see "Replacing the Computer Cover" on page 165).
-  **NOTICE:** To connect a network cable, first plug the cable into the network device and then plug it into the computer.
- 15 Connect your computer and devices to an electrical outlet, and turn them on.
- 16 Verify that the computer works correctly by running the Dell Diagnostics (see "Dell Diagnostics" on page 84).

Processor



CAUTION: Before you begin any of the procedures in this section, follow the safety instructions located in the *Product Information Guide*.



NOTICE: To prevent static damage to components inside your computer, discharge static electricity from your body before you touch any of your computer's electronic components. You can do so by touching an unpainted metal surface on the computer chassis.

Removing the Processor

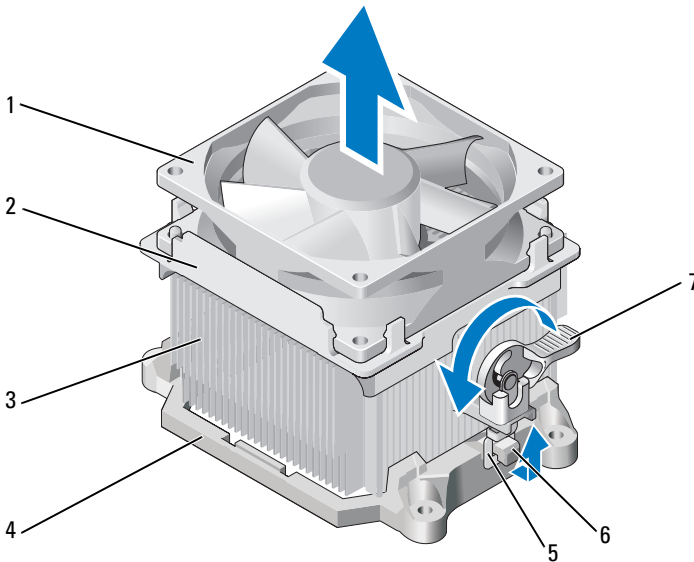
- 1 Follow the procedures in "Before You Begin" on page 101.
- 2 Remove the computer cover (see "Removing the Computer Cover" on page 103).
- 3 Carefully disconnect and move any cables that are routed over the heat sink assembly.
- 4 Rotate the clamp lever 180 degrees counter-clockwise to release the clamp grip from the bracket projection.

5 Release the clamp grip from the bracket projection on the opposite side.

⚠ CAUTION: Despite having a plastic shield, the heat sink assembly may be very hot during normal operation. Be sure that it has had sufficient time to cool before you touch it.

➡ NOTICE: Strong thermal grease bond may exist between the processor and heat sink. Do not use excessive force to separate the heat sink assembly from the processor to avoid damaging the processor.

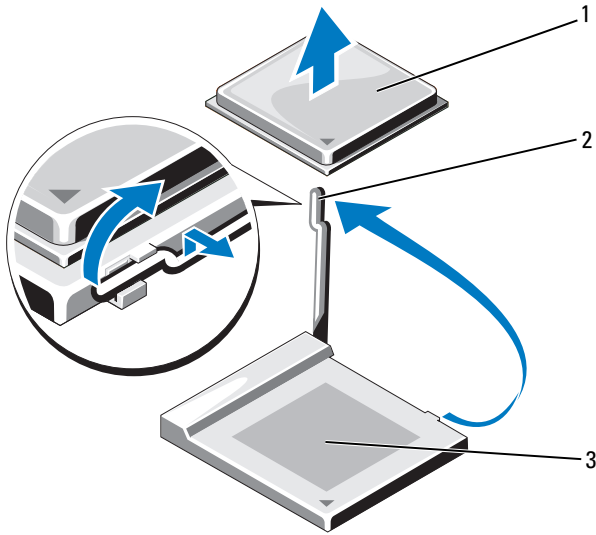
6 Rotate the heat sink assembly upward gently, and remove it from the computer. Lay the heat sink assembly down on its top, with the thermal grease facing upward.



- | | | |
|---------------|--------------|----------------------|
| 1 fan | 2 fan cover | 3 heat sink |
| 4 bracket | 5 clamp grip | 6 bracket projection |
| 7 clamp lever | | |

➡ NOTICE: Unless a new heat sink is required for the new processor, reuse the original heat sink assembly when you replace the processor.

7 Pull the release lever straight up until the processor is released.



1 processor 2 release lever 3 socket

➔ **NOTICE:** Be careful not to bend any of the pins when you remove the processor. Bending the pins can permanently damage the processor.

8 Remove the processor from the socket.

Leave the release lever extended in the release position so that the socket is ready for the new processor.

➔ **NOTICE:** After removing the processor, be careful not to get any thermal grease on the processor pins. Thermal grease on the pins can permanently damage the processor.

Installing the Processor

➔ **NOTICE:** Ground yourself by touching an unpainted metal surface on the back of the computer.

1 Follow the procedures in "Before You Begin" on page 101.

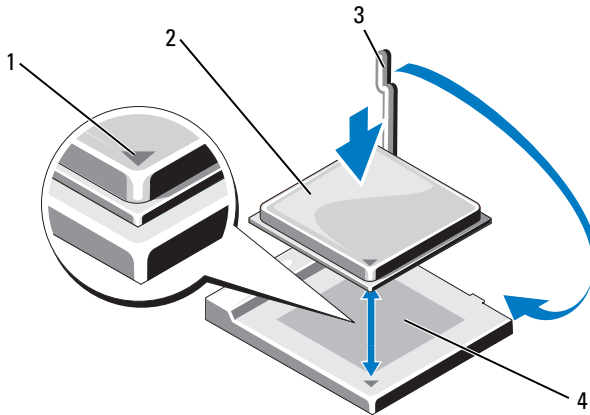
➔ **NOTICE:** Be careful not to bend any of the pins when you unpack the processor. Bending the pins can permanently damage the processor.

2 Unpack the new processor, being careful not to bend any of the processor pins.

3 Extend the release lever on the socket fully.

➔ **NOTICE:** You must position the processor correctly in the socket to avoid permanent damage to the processor and the computer when you turn on the computer.

4 Align the pin-1 corner of the processor and socket.



- | | |
|-----------------------------|-------------|
| 1 processor pin-1 indicator | 2 processor |
| 3 release lever | 4 socket |

➔ **NOTICE:** To avoid damage, ensure that the processor aligns properly with the socket, and do not use excessive force when you install the processor.

5 Set the processor lightly in the socket and ensure that the processor is positioned correctly.

6 While lightly pressing down on the processor, rotate the release lever back toward the system board until it snaps into place, securing the processor.

7 Clean the thermal grease from the bottom of the heat sink.

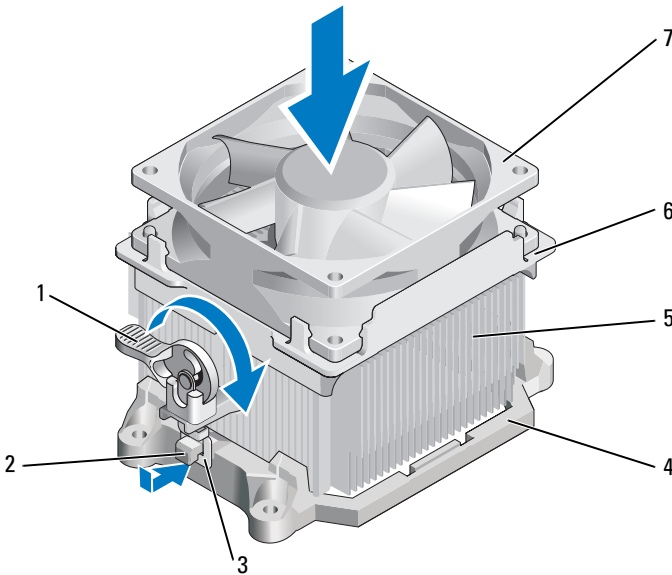
➔ **NOTICE:** Ensure that you apply new thermal grease. New thermal grease is critical for ensuring adequate thermal bonding, which is a requirement for optimal processor operation.

8 Apply the new thermal grease to the top of the processor.

➔ **NOTICE:** Ensure that the floppy drive and audio cables are not routed so that they are pinched when the heat sink assembly is installed.

- 9 Install the heat sink assembly:
 - a Place the heat sink and fan assembly back onto the heat-sink assembly bracket.
 - b Ensure that the two clamp grips are aligned with the two bracket projections.
 - c Hold the heat sink fan assembly in place and rotate the clamp lever 180 degrees clockwise to secure the heat sink and fan assembly.





→ NOTICE: Ensure that the heat sink assembly is correctly seated and secure.





- | | | |
|---------------|----------------------|--------------|
| 1 clamp lever | 2 bracket projection | 3 clamp grip |
| 4 bracket | 5 heat sink | 6 fan cover |
| 7 fan | | |

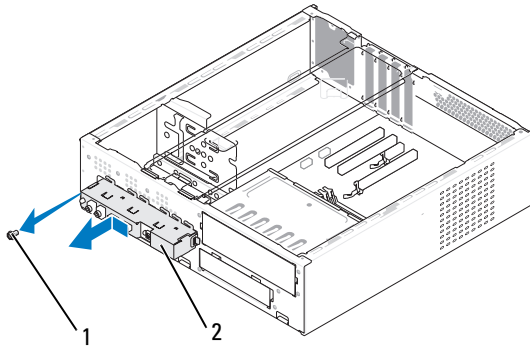
- 10 Connect any cables disconnected before removing the heat sink assembly.
- 11 Replace the computer cover (see "Replacing the Computer Cover" on page 165).
- 12 Connect your computer and devices to an electrical outlet, and turn them on.
- 13 Verify that the computer works correctly by running the Dell Diagnostics (see "Dell Diagnostics" on page 84).

I/O Panel

-  **CAUTION:** Before you begin any of the procedures in this section, follow the safety instructions in the *Product Information Guide*.
-  **CAUTION:** To guard against electrical shock, laceration by moving fan blades, or other unexpected injuries, always unplug your computer from the electrical outlet before opening the cover.
-  **CAUTION:** The heat sink assembly, power supply, and other components may be very hot during normal operation. Be sure that they have had sufficient time to cool before you touch them.
-  **NOTICE:** To prevent static damage to components inside your computer, discharge static electricity from your body before you touch any of your computer's electronic components. You can do so by touching an unpainted metal surface on the computer chassis.

Removing the I/O Panel

-  **NOTE:** Note the routing of all cables as you remove them so that you can re-route them correctly when installing the new I/O panel.
- 1 Follow the procedures in "Before You Begin" on page 101.
 - 2 Remove the computer cover (see "Removing the Computer Cover" on page 103).
 - 3 Remove the bezel (see "Removing the Bezel" on page 123).
-  **NOTICE:** When sliding the I/O panel out of the computer, be extremely careful. Carelessness may result in damage to the cable connectors and the cable routing clips.
- 4 Disconnect all the cables that are connected to the I/O panel from the system board.
 - 5 Remove the screw that secures the I/O panel.
 - 6 Slide the I/O panel down to release the I/O panel clamp from the I/O panel clamp slot.
 - 7 Carefully remove the I/O panel from the computer.



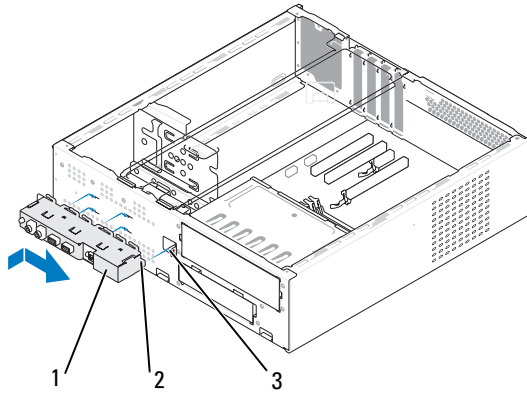
1 screw 2 I/O panel

Installing the I/O Panel

- 1 Place the I/O panel into the slot.





➔ NOTICE: Take care not to damage the cable connectors and the cable routing clips when sliding the I/O panel into the computer.

- 2 Align and slide the I/O panel clamp in the I/O panel clamp slot.
- 3 Replace and tighten the screw that secures the I/O panel.
- 4 Reconnect the cables to the system board.
- 5 Replace the bezel (see "Replacing the Bezel" on page 124).
- 6 Replace the computer cover (see "Replacing the Computer Cover" on page 165).
- 7 Connect your computer and devices to an electrical outlet, and turn them on.
- 8 Verify that the computer works correctly by running the Dell Diagnostics (see "Dell Diagnostics" on page 84).



- 1 I/O panel 2 I/O panel clamp 3 I/O panel clamp slot

Processor Fan

-  **CAUTION:** Before you begin any of the procedures in this section, follow the safety instructions in the *Product Information Guide*.
-  **CAUTION:** To guard against electrical shock, laceration by moving fan blades, or other unexpected injuries, always unplug your computer from the electrical outlet before opening the cover.
-  **CAUTION:** The heat sink assembly, power supply, and other components may be very hot during normal operation. Be sure that they have had sufficient time to cool before you touch them.
-  **NOTICE:** To prevent static damage to components inside your computer, discharge static electricity from your body before you touch any of your computer's electronic components. You can do so by touching an unpainted metal surface on the computer chassis.

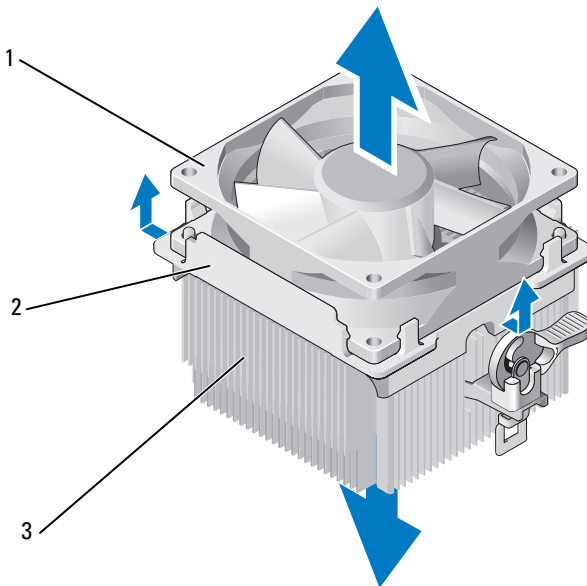
Removing the Processor Fan

- 1 Follow the procedures in "Before You Begin" on page 101.
- 2 Remove the computer cover (see "Removing the Computer Cover" on page 103).

- Carefully disconnect and move any cables that are routed over the heat sink assembly.

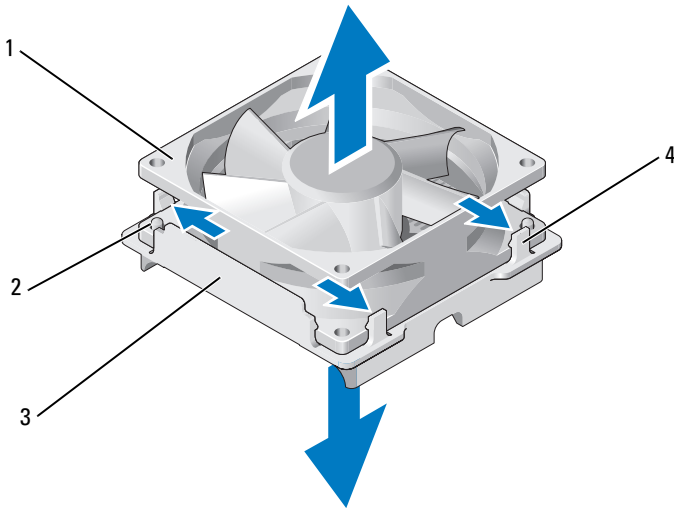
⚠ CAUTION: Despite having a plastic shield, the heat sink assembly may be very hot during normal operation. Be sure that it has had sufficient time to cool before you touch it.

- Remove heat sink (see step 6 of "Removing the Processor" on page 148).
- Disconnect the processor fan cable from the system board (see "System Board Components" on page 107).
- Ensure that all cables have been removed from the routing clips on the top of the processor fan assembly.
- Clean the grease from the heat sink surface previously in contact with the processor.



1 fan 2 fan cover 3 heat sink

- 8 Hold the heat sink firmly in one hand and using moderate force, pull up the fan cover to separate it from the heat sink.



- | | | | |
|---|-----------|---|---------------------|
| 1 | fan | 2 | fan cover guide (2) |
| 3 | fan cover | 4 | fan cover grips (4) |

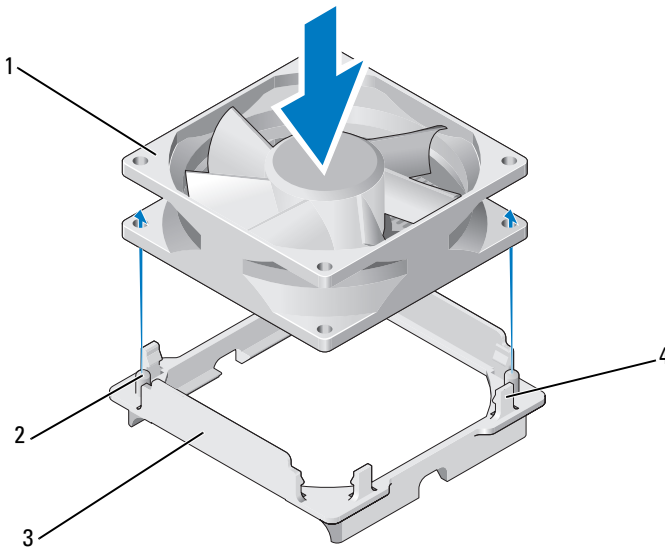
➔ NOTICE: Do not touch the fan blades to avoid damage to the fan blades.

- 9 Pull outwards the two fan cover grips on one side and slightly lift the fan from the fan cover.
- 10 Pull outwards the other two fan cover grips on the other side and lift the fan to release the fan from the fan cover.

Installing the Processor Fan

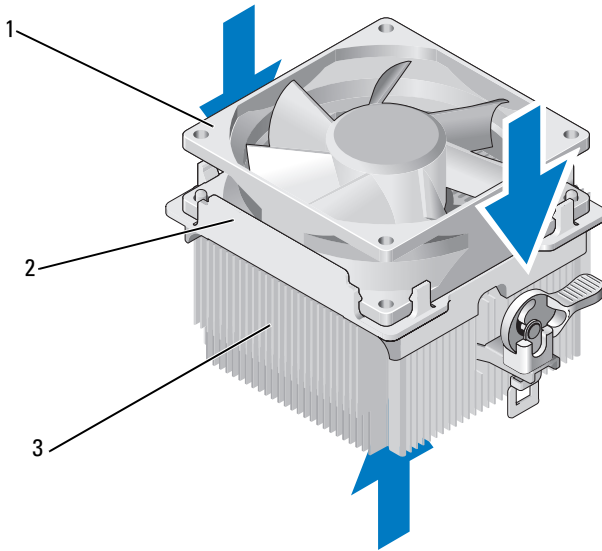
➡ NOTICE: When reinstalling the fan, ensure that you do not pinch the wires that run between the system board and the fan.

- 1 Align the holes in the fan with the guides on the fan cover.
- 2 Press the fan and fan cover together till the fan cover grips snap in place.



- | | |
|-------------|-----------------------|
| 1 fan | 2 fan cover guide (2) |
| 3 fan cover | 4 fan cover grips (4) |





- 3 Align and press the heat sink and fan assembly till both snap in place.



1 fan 2 fan cover 3 heat sink

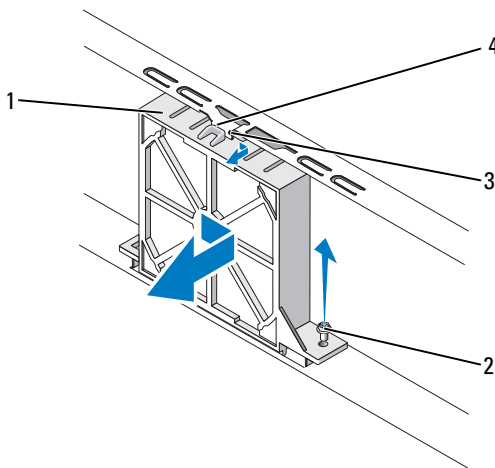
- 4 Replace the heat sink assembly (see step 9 of "Installing the Processor" on page 150).
- 5 Replace the cables that were removed from the routing clips on top of the processor fan assembly.
- 6 Connect the processor fan cable to the system board (see "System Board Components" on page 107).
- ➔ **NOTICE:** Ensure that the fan is correctly seated and secure.
- 7 Replace the computer cover (see "Replacing the Computer Cover" on page 165).
- 8 Connect your computer and devices to an electrical outlet, and turn them on.

Chassis Fan

-  **CAUTION:** Before you begin any of the procedures in this section, follow the safety instructions in the *Product Information Guide*.
-  **CAUTION:** To guard against electrical shock, laceration by moving fan blades, or other unexpected injuries, always unplug your computer from the electrical outlet before opening the cover.
-  **CAUTION:** The heat sink assembly, power supply, and other components may be very hot during normal operation. Be sure that they have had sufficient time to cool before you touch them.
-  **NOTICE:** To prevent static damage to components inside your computer, discharge static electricity from your body before you touch any of your computer's electronic components. You can do so by touching an unpainted metal surface on the computer chassis.

Removing the Chassis Fan

- 1 Follow the procedures in "Before You Begin" on page 101.

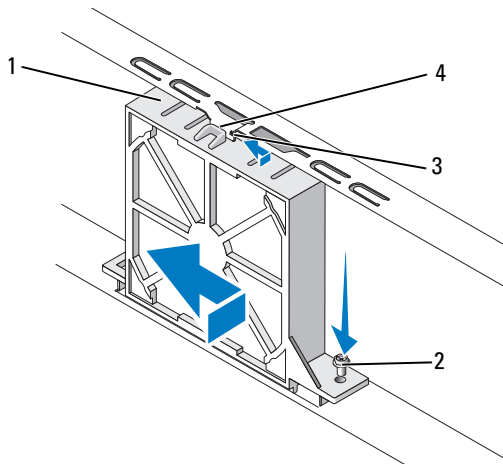


- | | |
|-----------------|---------------------|
| 1 chassis fan | 2 screw |
| 3 fan top notch | 4 chassis fan guide |

- 2 Remove the computer cover (see "Removing the Computer Cover" on page 103).
- 3 Disconnect the chassis fan cable from the system board (see "System Board Components" on page 107).
- 4 Loosen and remove the screw securing the chassis fan with the chassis.
- 5 Slide and pull the chassis fan away from the chassis.

Replacing the Chassis Fan

- 1 Follow the procedures in "Before You Begin" on page 101.




- | | |
|-----------------|---------------------|
| 1 chassis fan | 2 screw |
| 3 fan top notch | 4 chassis fan guide |


- 2 Remove the computer cover (see "Removing the Computer Cover" on page 103).
- 3 Align the fan top notch with the chassis fan guide and push the chassis fan towards the chassis.
- 4 Slide the chassis fan in place.
- 5 Tighten the screw to secure the chassis fan to chassis.


- 6 Connect the chassis fan cable to the system board (see "System Board Components" on page 107).
- 7 Replace the computer cover (see "Replacing the Computer Cover" on page 165).

System Board

Removing the System Board

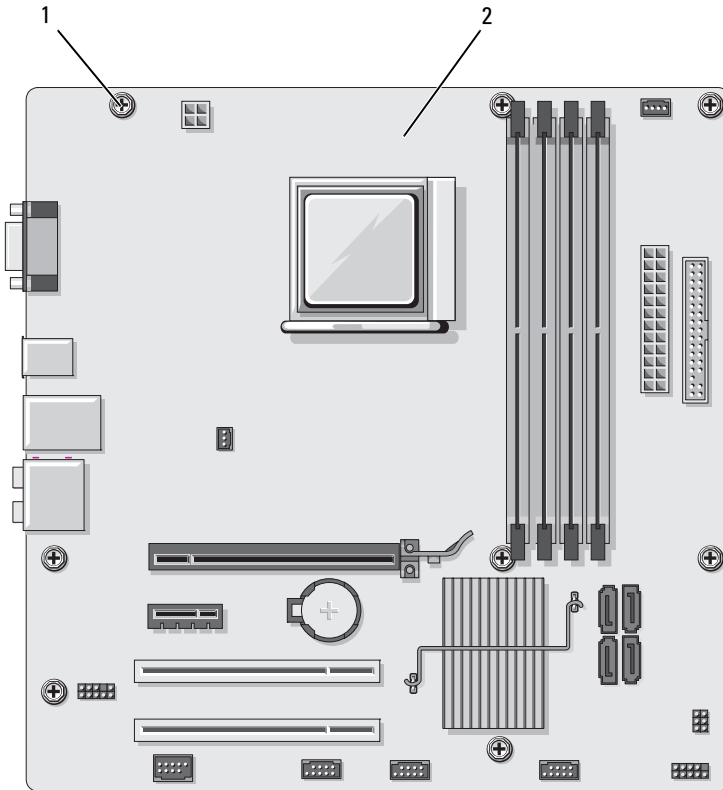
 **CAUTION:** To guard against electrical shock, laceration by moving fan blades, or other unexpected injuries, always unplug your computer from the electrical outlet before opening the cover.

 **CAUTION:** The heat sink assembly, power supply, and other components may be very hot during normal operation. Be sure that they have had sufficient time to cool before you touch them.

 **NOTICE:** Before touching anything inside your computer, ground yourself by touching an unpainted metal surface, such as the metal at the back of the computer. While you work, periodically touch an unpainted metal surface to dissipate any static electricity that could harm internal components.

- 1 Follow the procedures in "Before You Begin" on page 101.
- 2 Remove the computer cover (see "Removing the Computer Cover" on page 103).
- 3 Remove any add-in cards on the system board (see "Removing a PCI/PCI Express Card" on page 121).
- 4 Remove the processor and the heat sink assembly (see "Removing the Processor" on page 148).
- 5 Remove the memory modules (see "Removing Memory" on page 115) and document which memory module is removed from each memory socket so that the memory modules can be installed in the same location after the board is replaced.
- 6 Disconnect all cables from the system board. Note the routing of all cables as you remove them so that you can re-route them correctly after installing the new system board.
- 7 Remove the eight screws from the system board.
- 8 Lift the system board up and out.


System Board Screws



1 screws (8) 2 system board

- 9 Place the system board that you just removed next to the replacement system board to compare and ensure they are identical.

Installing the System Board

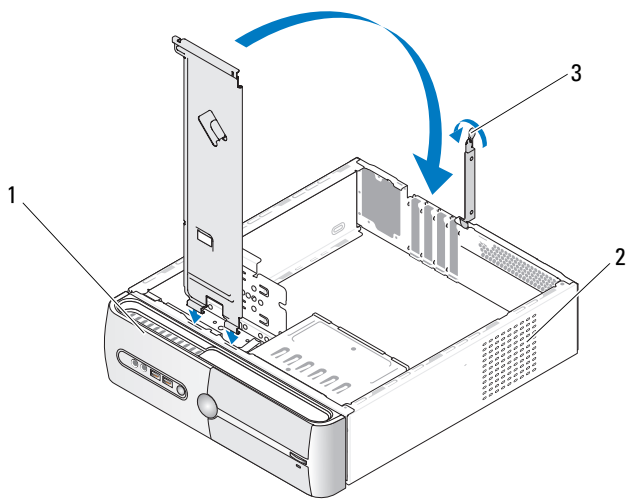
- 1 Gently align the board into the chassis and slide it toward the back of the computer.
 - 2 Using the eight screws, secure the system board to the chassis.
 - 3 Replace the cables that you removed from the system board.
 - 4 Replace the processor and the heat sink assembly (see "Installing the Processor" on page 150).
-  **NOTICE:** Ensure that the heat sink assembly is correctly seated and secure.
- 5 Replace the memory modules into the memory sockets at the same locations from which you removed them (see "Installing Memory" on page 113).
 - 6 Replace any add-in cards on the system board.
 - 7 Replace the computer cover (see "Replacing the Computer Cover" on page 165).
 - 8 Connect your computer and devices to an electrical outlet, and turn them on.
 - 9 Verify that the computer works correctly by running the Dell Diagnostics (see "Dell Diagnostics" on page 84).

Replacing the Support Bracket

 **CAUTION:** Before you begin any of the procedures in this section, follow the safety instructions located in the *Product Information Guide*.

To replace the support bracket:

- 1 Align and insert the hinges at the bottom of the support bracket into the hinge tabs located along the edge of the computer.
- 2 Pivot the support bracket downward.
- 3 Align the notch in the support bracket with the slot in the hard drive bay and press it down.
- 4 Replace any cable(s) that were attached to the support bracket.
- 5 Ensure that the support bracket is seated correctly and replace the card retention bracket.

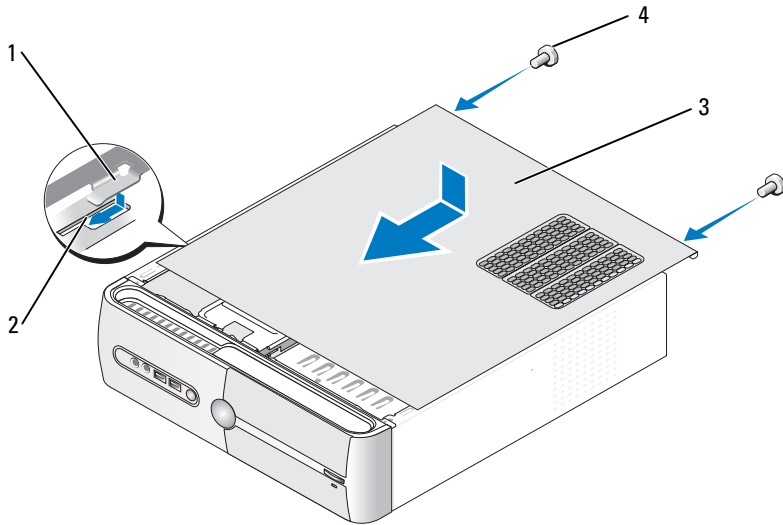


1 support bracket 2 card retention bracket 3 card retention release lever

Replacing the Computer Cover

⚠ CAUTION: Before you begin any of the procedures in this section, follow the safety instructions located in the *Product Information Guide*.

- 1 Ensure that all cables are connected, and fold cables out of the way.
- 2 Ensure that no tools or extra parts are left inside the computer.
- 3 Align the tabs at the bottom of the computer cover with the slots located along the edge of the computer.
- 4 Press the computer cover down and slide it towards the front of the computer until you feel a click or feel the computer cover securely installed.
- 5 Ensure that the cover is seated correctly.
- 6 Replace and tighten the two screws that secure the computer cover, using a flat-blade screwdriver.



- | | | | |
|---|--------------------|---|------------|
| 1 | computer cover tab | 2 | slot |
| 3 | computer cover | 4 | screws (2) |

7 Move the computer to the upright position.

➔ NOTICE: To connect a network cable, first plug the cable into the network device and then plug it into the computer.

➔ NOTICE: Ensure that none of the air-vents of the system are blocked.

Appendix

Specifications

Processor

Processor type	AMD™ Athlon™ 64 X2 dual-core processor AMD Athlon 64 processor AMD Sempron™ processor
Level 2 (L2) cache	Up to 2 MB for Athlon 64 X2 dual-core processor Up to 512 KB for Athlon 64 processor Up to 256 KB for Sempron processors

Memory

Type	667-MHz, 800-MHz DDR2 SDRAM
Memory connectors	four
Memory capacities	512 MB or 1 GB
Minimum memory	512 MB
Maximum memory	4 GB

Computer Information

Chipset	Nvidia® MCP 61
RAID Support	RAID 1 (Mirroring)(Windows Vista® Only)
DMA channels	seven
Interrupt levels	24
BIOS chip (NVRAM)	4 Mb
NIC	Integrated network interface capable of 10/100 communication

Video

Type	Nvidia integrated video (DirectX 9.0 Shader Model 3.0 Graphics Processing Unit) or optional PCI Express x16 graphics card
------	---------------------------------------------------------------------------------------------------------------------------

Audio

Type Realtec ALC888 (7.1 Channel audio)

Expansion Bus

Bus type PCI 2.3
PCI Express 1.0A
SATA 1.0 and 2.0
USB 2.0

Bus speed PCI: 133 MB/s
PCI Express:
 x1 slot bidirectional speed - 500 MB/s
 x16 slot bidirectional speed - 8GB/s
SATA: 1.5 Gbps and 3.0 Gbps
USB: 480 Mbps high speed, 12 Mbps full speed, 1.2 Mbps low speed

PCI

- connectors two
- connector size 124 pins
- connector data width (maximum) 32 bits

PCI Express

- connector one x1
- connector size 36 pins
- connector data width (maximum) 1 PCI Express lane

PCI Express

- connector one x16
- connector size 164 pins
- connector data width (maximum) 16 PCI Express lanes

Drives

Externally accessible	one 3.5-inch drive bay (FlexBay) one 5.25-inch drive bay
Internally accessible	two 3.5-inch drive bays
Available devices	two 3.5-inch Serial ATA hard drive (internal bay) (one optional) and one 5.25-inch Serial ATA CD-ROM, CD-RW, DVD-ROM, DVD-RW, or combo drive (external bay) floppy drive (optional) or Media Card Reader (optional) and USB memory devices

Connectors

External connectors:

Video	15-hole connector
Network adapter	RJ-45 connector
USB	two front-panel and four back-panel USB 2.0-compliant connectors
Audio	six connectors for 7.1 support

System board connectors:

Serial ATA	four 7-pin connectors
Internal USB device	one 10-pin connector (supports two USB ports)
Floppy drive	one 34-pin connector
Processor fan	one 4-pin connector
Chassis fan	one 3-pin connector
PCI 2.3	two 124-pin connectors
PCI Express x1	one 36-pin connector
PCI Express x16	one 164-pin connector
Front panel control	one 10-pin connector
Front panel USB	one 10-pin connectors

Connectors (continued)

Front panel audio HDA header	one 10-pin connector
Processor	one 940-pin connector
Memory	four 240-pin connectors
Power 12V	one 4-pin connector
Power	one 24-pin connector

Controls and Lights

Front of computer:

Power button	push button
Power light	blue light — Blinking blue in sleep state; solid blue for power-on state amber light — The blinking amber indicates a problem with the system board. A solid amber light when the system does not boot indicates that the system board cannot start initialization. This could be a system board or a power supply problem (see "Power Problems" on page 70).
Drive activity light	blue light — A blinking blue light indicates the computer is reading data from or writing data to the SATA hard drive, CD, DVD or HDD.

Rear of computer:

Link integrity light (on integrated network adapter)	green light — A good connection exists between the network and the computer. off (no light) — The computer is not detecting a physical connection to the network.
Network activity light (on integrated network adapter)	yellow blinking light

Power

DC power supply:

Wattage 250 W

Maximum heat dissipation 162 W

NOTE: Heat dissipation is calculated by using the power supply wattage rating.Voltage (see the safety instructions located in the *Product Information Guide* for important voltage setting information) 115/230 Vac, 50/60 Hz, 6 A/3 ACoin cell battery 3-V CR2032 lithium coin cell

Physical

Height 36.2 cm (14.2 inches)

Width 10.0 cm (3.9 inches)

Depth 43.5 cm (17.1 inches)

Weight 9.0 kg (19.8 lb)

Environmental

Temperature:

Operating 10° to 35°C (50° to 95°F)

Storage -40° to 65°C (-40° to 149°F)

Relative humidity 20% to 80% (noncondensing)

Maximum vibration:

Operating 5 to 350 Hz at 0.0002 G²/HzStorage 5 to 500 Hz at 0.001 to 0.01 G²/Hz

Maximum shock:

Operating 40 G +/- 5% with pulse duration of 2 msec +/- 10% (equivalent to 20 in/sec [51 cm/sec])

Storage 105 G +/- 5% with pulse duration of 2 msec +/- 10% (equivalent to 50 in/sec [127 cm/sec])

Environmental (continued)

Altitude:

Operating	-15.2 to 3048 m (-50 to 10,000 ft)
Storage	-15.2 to 10,668 m (-50 to 35,000 ft)
Airborne contaminant level	G2 or lower as defined by ISA-S71.04-1985

System Setup

Overview

Use System Setup as follows:

- To change the system configuration information after you add, change, or remove any hardware in your computer
- To set or change a user-selectable option such as the user password
- To read the current amount of memory or set the type of hard drive installed

Before you use system setup, it is recommended that you write down the system setup screen information for future reference.



NOTICE: Unless you are an expert computer user, do not change the settings for this program. Certain changes can make your computer work incorrectly.

Entering System Setup

- 1 Turn on (or restart) your computer.
- 2 When the blue DELL™ logo is displayed, you must watch for the F2 prompt to appear.
- 3 Once this F2 prompt appears, press <F2> immediately.



NOTE: The F2 prompt indicates that the keyboard has initialized. This prompt can appear very quickly, so you must watch for it to display, and then press <F2>. If you press <F2> before you are prompted, this keystroke will be lost.

- 4 If you wait too long and the operating system logo appears, continue to wait until you see the Microsoft® Windows® desktop. Then, shut down your computer (see "Turning Off Your Computer" on page 102) and try again.

System Setup Screen

The system setup screen displays current or changeable configuration information for your computer. Information on the screen is divided into four areas: the menu at the top, the main window, the Item Help field on the right, and key functions listed on the bottom.

Options List — This field appears on the top side of the system setup window. The tabbed options contain features that define the configuration of your computer, including installed hardware, power conservation, and security features.

Option Field — This field contains information about each option. In this field you can view your current settings and make changes to your settings. Use the right- and left-arrow keys to highlight an option. Press <Enter> to make that selection active.

Help Field — This field provides context sensitive help based on the options selected.

Key Functions — This field appears below the Option Field and lists keys and their functions within the active system setup field.

System Setup Options



NOTE: Depending on your computer and installed devices, the items listed in this section may not appear, or may not appear exactly as listed.

Main	
System Date	Displays the system date.
System Time	Displays the system time.
Floppy A	Displays the currently installed drive.
HDD SMART capability (Disabled default)	This setting determines whether integrated drive errors are reported or not during system startup.
System Info.	Displays BIOS Info and the Service Tag .
Memory Info.	Displays memory size, speed, channel mode, and type.

Advanced	
CPU Type	Displays the Type of Processor installed in the system.
CPU Speed	Displays CPU Speed.
Cache RAM	Displays the amount of Cache RAM available.
Frame Buffer	Displays the amount of Frame Buffer available.
Advanced Chipset Features	Displays the Video Memory size.
Integrated peripherals	Displays information about peripherals configuration such as Serial ATA, HD Audio, Onboard nVidia LAN, and Onboard LAN boot ROM.
PnP /PCI Configurations	Displays information about PnP /PCI Configurations such as Init Display First.
CPU Configurations	Displays information about the features of the CPU such as AMD Live, AMD Cool n Quiet Function, and AMD Virtualization.
USB Configurations	Displays whether the USB controller is enabled or disabled.
Power	
Power Management Setup	Displays options for Power Management Setup options such as: ACPI Suspend Type, Remote Wake Up, Wake Up by Ring, Auto Power On, Auto Power On Date, Auto Power On Time, and AC Recovery.
BOOT	
Boot Device Property	Displays boot device property for all the bootable devices present on the system. It offers options for setting Hard Disk Boot Priority, CD ROM Boot Priority, Boot Setting Configurations, and Security.
Exit	
Exit options	Provides options to Save & Exit Setup, Exit Without Saving, Load Defaults or Discard Changes

Boot Sequence

This feature allows you to change the Boot Device Property for devices.

Option Settings

- **Bootable Hard Drive** — The computer attempts to boot from the hard drive.
- **Onboard Floppy Drive** — The computer attempts to boot from the floppy drive.
- **Onboard CD-ROM Drive** — The computer attempts to boot from the CD drive.
- **Integrated NIC** — The computer attempts to boot using the integrated NIC.

Changing Boot Sequence for the Current Boot

You can use this feature, for example, to restart your computer to a USB device, such as a floppy drive, memory key, or CD-RW drive.

- 1 If you are booting to a USB device, connect the USB device to a USB connector.
- 2 Turn on (or restart) your computer.
- 3 When **F2 = Setup**, **F12 = Boot Menu** appears in the upper-right corner of the screen, press **<F12>**.

If you wait too long and the operating system logo appears, continue to wait until you see the Microsoft Windows desktop, then shut down your computer (see "Turning Off Your Computer" on page 102) and try again.

- 4 The **Boot Menu** appears, listing all available boot devices.
- 5 Use the arrow keys to select the appropriate device (for the current boot only).



NOTE: To boot to a USB device, the device must be bootable. To ensure that a device is bootable, check the device documentation.

Changing Boot Sequence for Future Boots

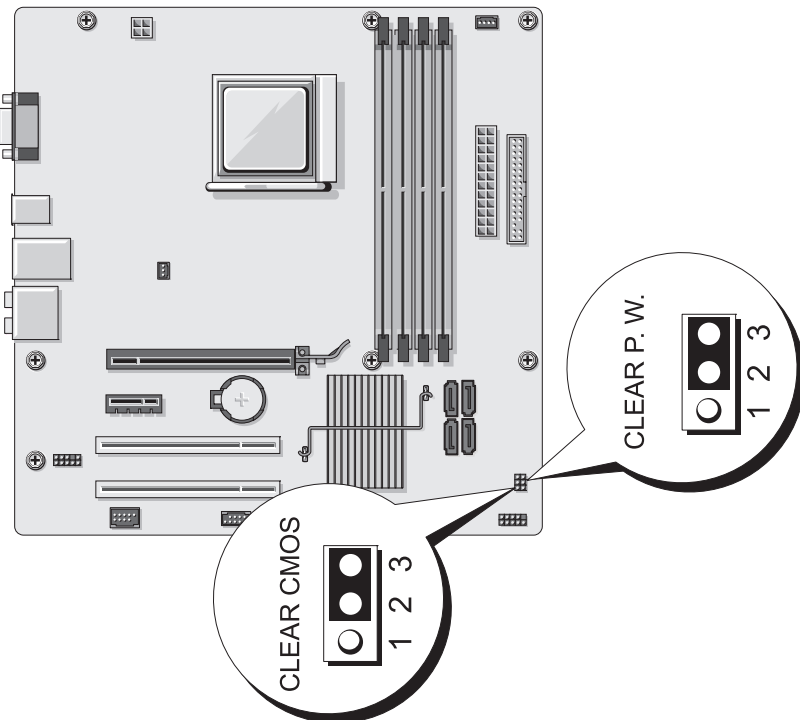
- 1 Enter system setup (see "Entering System Setup" on page 172).
- 2 Press the left- and right-arrow keys to highlight the Boot tab.
- 3 Press the up- and down-arrow keys to highlight the Boot Device Property, then press **<Enter>**.

- 4 Press the up- and down-arrow keys to highlight the item you want to change, and then press <Enter>.
- 5 Press the up- and down-arrow keys to select the boot device you want to change, and then press <Enter>.
- 6 Press <F10> and then press <Enter> to exit system setup and resume the boot process.


Clearing Forgotten Passwords

⚠ CAUTION: Before you begin any of the procedures in this section, follow the safety instructions located in the *Product Information Guide*.

- 1 Follow the procedures in "Before You Begin" on page 101.



- 2 Remove the computer cover (see "Removing the Computer Cover" on page 103).

- 3 Locate the 3-pin password connector (CLEAR P.W.) on the system board and remove the 2-pin jumper plug from pins 2 and 3 and fix it on pins 1 and 2 and wait for approximately five seconds to clear the password.
- 4 Remove the 2-pin jumper plug from pins 1 and 2 and replace it on pins 2 and 3 to enable the password feature.
- 5 Replace the computer cover (see "Replacing the Computer Cover" on page 165).
-  **NOTICE:** To connect a network cable, first plug the cable into the network device and then plug it into the computer.
- 6 Connect your computer and devices to electrical outlets, and turn them on.


Clearing CMOS Settings

 **CAUTION:** Before you begin any of the procedures in this section, follow the safety instructions located in the *Product Information Guide*.

- 1 Follow the procedures in "Before You Begin" on page 101.



NOTE: The computer must be disconnected from the electrical outlet to clear the CMOS setting.

- 2 Remove the computer cover (see "Removing the Computer Cover" on page 103).
- 3 Reset the current CMOS settings:
 - a Locate the 3-pin CMOS jumper (CLEAR CMOS) on the system board (see "System Board Components" on page 107).
 - b Remove the jumper plug from the CMOS jumper (CLEAR CMOS) pins 2 and 3.
 - c Place the jumper plug on the CMOS jumper (CLEAR CMOS) pins 1 and 2 and wait approximately five seconds.
 - d Remove the jumper plug and replace it on the CMOS jumper (CLEAR CMOS) pins 2 and 3.
- 4 Replace the computer cover (see "Replacing the Computer Cover" on page 165).
-  **NOTICE:** To connect a network cable, first plug the cable into the network port or device and then plug it into the computer.
- 5 Connect your computer and devices to electrical outlets, and turn them on.

Flashing the BIOS

The BIOS may require flashing when an update is available or when replacing the system board.

- 1 Turn on the computer.
- 2 Locate the BIOS update file for your computer at support.dell.com.
- 3 Click **Download Now** to download the file.
- 4 If the **Export Compliance Disclaimer** window appears, click **Yes, I Accept this Agreement**.

The **File Download** window appears.

- 5 Click **Save this program to disk**, and then click **OK**.

The **Save In** window appears.

- 6 Click the down arrow to view the **Save In** menu, select **Desktop**, and then click **Save**.

The file downloads to your desktop.

- 7 Click **Close** when the **Download Complete** window appears.


The file icon appears on your desktop and is titled the same as the downloaded BIOS update file.

- 8 Double-click the file icon on the desktop and follow the on-screen instructions.


Cleaning Your Computer

 **CAUTION:** Before you begin any of the procedures in this section, follow the safety instructions located in the *Product Information Guide*.


Computer, Keyboard, and Monitor

 **CAUTION:** Before you clean your computer, disconnect the computer from the electrical outlet. Clean your computer with a soft cloth dampened with water. Do not use liquid or aerosol cleaners, which may contain flammable substances.

- Use a vacuum cleaner with a brush attachment to gently remove dust from the slots and holes on your computer and from between the keys on the keyboard.

 **NOTICE:** Do not wipe the display screen with any soap or alcohol solution. Doing so may damage the antiglare coating.

- To clean your monitor screen, lightly dampen a soft, clean cloth with water. If possible, use a special screen-cleaning tissue or solution suitable for the monitor's antistatic coating.
- Wipe the keyboard, computer, and plastic part of the monitor with a soft cleaning cloth moistened with a solution of three parts water and one part dishwashing detergent.

 **NOTICE:** Do not soak the cloth or let water drip inside your computer or keyboard.

Mouse

If your screen cursor skips or moves abnormally, clean the mouse. To clean a non-optical mouse:

- 1 Turn the retainer ring on the underside of your mouse counterclockwise, and then remove the ball.
- 2 Wipe the ball with a clean, lint-free cloth.
- 3 Blow carefully into the ball cage to dislodge dust and lint.
- 4 If the rollers inside the ball cage are dirty, clean the rollers with a cotton swab moistened lightly with isopropyl alcohol.
- 5 Recenter the rollers in their channels if they are misaligned. Ensure that fluff from the swab is not left on the rollers.
- 6 Replace the ball and retainer ring, and turn the retainer ring clockwise until it clicks into place.

Floppy Drive

- ➔ **NOTICE:** Do not attempt to clean drive heads with a swab. You might accidentally misalign the heads, which prevents the drive from operating.

Clean your floppy drive using a commercially available cleaning kit. These kits contain pretreated floppy disks to remove contaminants that accumulate during normal operation.

CDs and DVDs

- ➔ **NOTICE:** Always use compressed air to clean the lens in the CD or DVD drive, and follow the instructions that come with the compressed air. Never touch the lens in the drive.

If you notice problems, such as skipping, with the playback quality of your CDs or DVDs, try cleaning the discs.

- 1 Hold the disc by its outer edge. You can also touch the inside edge of the center hole.

- ➔ **NOTICE:** To prevent damaging the surface, do not wipe in a circular motion around the disc.

- 2 With a soft, lint-free cloth, gently wipe the bottom of the disc (the unlabeled side) in a straight line from the center to the outer edge of the disc.

For stubborn dirt, try using water or a diluted solution of water and mild soap. You can also purchase commercial products that clean discs and provide some protection from dust, fingerprints, and scratches. Cleaning products for CDs are safe to use on DVDs.

Dell Technical Support Policy (U.S. Only)

Technician-assisted technical support requires the cooperation and participation of the customer in the troubleshooting process and provides for restoration of the operating system, software programs, and hardware drivers to the original default configuration as shipped from Dell, as well as the verification of appropriate functionality of the computer and all Dell-installed hardware. In addition to this technician-assisted technical support, online technical support is available at support.dell.com. Additional technical support options may be available for purchase.

Dell provides limited technical support for the computer and any "Dell-installed" software and peripherals¹. Support for third-party software and peripherals is provided by the original manufacturer, including those purchased and/or installed through Dell Software and Peripherals, Readyware, and Custom Factory Integration².

- ¹ Repair services are provided pursuant to the terms and conditions of your limited warranty and any optional support service contract purchased with the computer.
- ² All Dell-standard components included in a Custom Factory Integration (CFI) project are covered by the standard Dell limited warranty for your computer. However, Dell also extends a parts replacement program to cover all nonstandard, third-party hardware components integrated through CFI for the duration of the computer's service contract.

Definition of "Dell-Installed" Software and Peripherals

Dell-installed software includes the operating system and some of the software programs that are installed on the computer during the manufacturing process (Microsoft[®] Office, Norton Antivirus, and so on).

Dell-installed peripherals include any internal expansion cards, or Dell-branded module bay or PC Card accessories. In addition, any Dell-branded monitors, keyboards, mice, speakers, microphones for telephonic modems, docking stations/port replicators, networking products, and all associated cabling are included.

Definition of "Third-Party" Software and Peripherals

Third-party software and peripherals include any peripheral, accessory, or software program sold by Dell not under the Dell brand (printers, scanners, cameras, games, and so on). Support for all third-party software and peripherals is provided by the original manufacturer of the product.

FCC Notice (U.S. Only)

FCC Class B

This equipment generates, uses, and can radiate radio frequency energy and, if not installed and used in accordance with the manufacturer's instruction manual, may cause interference with radio and television reception. This equipment has been tested and found to comply with the limits for a Class B digital device pursuant to Part 15 of the FCC Rules.

This device complies with Part 15 of the FCC Rules. Operation is subject to the following two conditions:

- 1 This device may not cause harmful interference.
- 2 This device must accept any interference received, including interference that may cause undesired operation.



NOTICE: The FCC regulations provide that changes or modifications not expressly approved by Dell Inc. could void your authority to operate this equipment.

These limits are designed to provide reasonable protection against harmful interference in a residential installation. However, there is no guarantee that interference will not occur in a particular installation. If this equipment does cause harmful interference with radio or television reception, which can be determined by turning the equipment off and on, you are encouraged to try to correct the interference by one or more of the following measures:

- Reorient the receiving antenna.
- Relocate the system with respect to the receiver.
- Move the system away from the receiver.
- Plug the system into a different outlet so that the system and the receiver are on different branch circuits.

If necessary, consult a representative of Dell Inc. or an experienced radio/television technician for additional suggestions.

The following information is provided on the device or devices covered in this document in compliance with the FCC regulations:

Product name:	Dell™ Inspiron™ 531s
Model number:	DCSLA
Company name:	Dell Inc. Worldwide Regulatory Compliance & Environmental Affairs One Dell Way Round Rock, TX 78682 USA 512-338-4400



NOTE: For further regulatory information, see your *Product Information Guide*.


Getting Help


Obtaining Assistance

 **CAUTION:** If you need to remove the computer cover, first disconnect the computer power and modem cables from all electrical outlets.

If you experience a problem with your computer, you can complete the following steps to diagnose and troubleshoot the problem:


- 1 See "Troubleshooting Tools" on page 79 for information and procedures that pertain to the problem your computer is experiencing.
- 2 See "Dell Diagnostics" on page 84 for procedures on how to run Dell Diagnostics.
- 3 Fill out the "Diagnostics Checklist" on page 187.
- 4 Use Dell's extensive suite of online services available at Dell Support (support.dell.com) for help with installation and troubleshooting procedures. See "Online Services" on page 184 for a more extensive list of Dell Support online.
- 5 If the preceding steps have not resolved the problem, see "Contacting Dell" on page 188.

 **NOTE:** Call Dell Support from a telephone near or at the computer so that the support staff can assist you with any necessary procedures.

 **NOTE:** Dell's Express Service Code system may not be available in all countries.

When prompted by Dell's automated telephone system, enter your Express Service Code to route the call directly to the proper support personnel. If you do not have an Express Service Code, open the **Dell Accessories** folder, double-click the **Express Service Code** icon, and follow the directions.

For instructions on using the Dell Support, see "Technical Support and Customer Service" on page 183.

 **NOTE:** Some of the following services are not always available in all locations outside the continental U.S. Call your local Dell representative for information on availability.

Technical Support and Customer Service

Dell's support service is available to answer your questions about Dell™ hardware. Our support staff uses computer-based diagnostics to provide fast, accurate answers.

To contact Dell's support service, see "Before You Call" on page 186, and then see the contact information for your region or go to support.dell.com.

DellConnect

DellConnect is a simple online access tool that allows a Dell service and support associate to access your computer through a broadband connection, diagnose your problem and repair it all under your supervision. For more information, go to support.dell.com and click DellConnect.

Online Services

You can learn about Dell products and services on the following websites:

www.dell.com

www.dell.com/ap (Asian/Pacific countries only)

www.dell.com/jp (Japan only)

www.euro.dell.com (Europe only)

www.dell.com/la (Latin American and Caribbean countries)

www.dell.ca (Canada only)

You can access Dell Support through the following websites and e-mail addresses:

- Dell Support websites
support.dell.com
support.jp.dell.com (Japan only)
support.euro.dell.com (Europe only)
- Dell Support e-mail addresses
mobile_support@us.dell.com
support@us.dell.com
la-techsupport@dell.com (Latin America and Caribbean countries only)
apsupport@dell.com (Asian/Pacific countries only)

- Dell Marketing and Sales e-mail addresses
apmarketing@dell.com (Asian/Pacific countries only)
sales_canada@dell.com (Canada only)
- Anonymous file transfer protocol (FTP)
ftp.dell.com
Log in as user: anonymous, and use your e-mail address as your password.

AutoTech Service

Dell's automated support service—AutoTech—provides recorded answers to the questions most frequently asked by Dell customers about their portable and desktop computers.

When you call AutoTech, use your touch-tone telephone to select the subjects that correspond to your questions. For the telephone number to call for your region, see "Contacting Dell" on page 188.

Automated Order-Status Service

To check on the status of any Dell products that you have ordered, you can go to support.dell.com, or you can call the automated order-status service. A recording prompts you for the information needed to locate and report on your order. For the telephone number to call for your region, see "Contacting Dell" on page 188.

Problems With Your Order

If you have a problem with your order, such as missing parts, wrong parts, or incorrect billing, contact Dell for customer assistance. Have your invoice or packing slip handy when you call. For the telephone number to call for your region, see "Contacting Dell" on page 188.

Product Information

If you need information about additional products available from Dell, or if you would like to place an order, visit the Dell website at www.dell.com. For the telephone number to call for your region or to speak to a sales specialist, see "Contacting Dell" on page 188.

Returning Items for Warranty Repair or Credit

Prepare all items being returned, whether for repair or credit, as follows:

- 1 Call Dell to obtain a Return Material Authorization Number, and write it clearly and prominently on the outside of the box.
For the telephone number to call for your region, see "Contacting Dell" on page 188.
- 2 Include a copy of the invoice and a letter describing the reason for the return.
- 3 Include a copy of the Diagnostics Checklist (see "Diagnostics Checklist" on page 187), indicating the tests that you have run and any error messages reported by the Dell Diagnostics (see "Dell Diagnostics" on page 84).
- 4 Include any accessories that belong with the item(s) being returned (power cables, software floppy disks, guides, and so on) if the return is for credit.
- 5 Pack the equipment to be returned in the original (or equivalent) packing materials.

You are responsible for paying shipping expenses. You are also responsible for insuring any product returned, and you assume the risk of loss during shipment to Dell. Collect On Delivery (C.O.D.) packages are not accepted.

Returns that are missing any of the preceding requirements will be refused at Dell's receiving dock and returned to you.

Before You Call



NOTE: Have your Express Service Code ready when you call. The code helps Dell's automated-support telephone system direct your call more efficiently. You may also be asked for your Service Tag (located on the back or bottom of your computer).

Remember to fill out the Diagnostics Checklist (see "Diagnostics Checklist" on page 187). If possible, turn on your computer before you call Dell for assistance and call from a telephone at or near the computer. You may be asked to type some commands at the keyboard, relay detailed information during operations, or try other troubleshooting steps possible only at the computer itself. Ensure that the computer documentation is available.



CAUTION: Before working inside your computer, follow the safety instructions in your *Product Information Guide*.

Diagnostics Checklist

Name:

Date:

Address:

Phone number:

Service Tag (bar code on the back or bottom of the computer):

Express Service Code:

Return Material Authorization Number (if provided by Dell support technician):

Operating system and version:

Devices:

Expansion cards:

Are you connected to a network? Yes No

Network, version, and network adapter:

Programs and versions:

See your operating system documentation to determine the contents of the system's start-up files. If the computer is connected to a printer, print each file. Otherwise, record the contents of each file before calling Dell.

Error message, beep code, or diagnostic code:

Description of problem and troubleshooting procedures you performed:

Contacting Dell

For customers in the United States, call 800-WWW.DELL (800.999.3355).



NOTE: If you do not have an active Internet connection, you can find contact information on your purchase invoice, packing slip, bill, or Dell product catalog.

Dell provides several online and telephone-based support and service options. Availability varies by country and product, and some services may not be available in your area. To contact Dell for sales, technical support, or customer service issues:

- 1 Visit support.dell.com.
- 2 Verify your country or region in the **Choose A Country/Region** drop-down menu at the bottom of the page.
- 3 Click **Contact Us** on the left side of the page.
- 4 Select the appropriate service or support link based on your need.
- 5 Choose the method of contacting Dell that is convenient for you.

Glossary

Terms in this Glossary are provided for informational purposes only and may or may not describe features included with your particular computer.

A

AC — alternating current — The form of electricity that powers your computer when you plug the AC adapter power cable in to an electrical outlet.

ACPI — advanced configuration and power interface — A power management specification that enables Microsoft® Windows® operating systems to put a computer in standby or hibernate mode to conserve the amount of electrical power allocated to each device attached to the computer.

AGP — accelerated graphics port — A dedicated graphics port that allows system memory to be used for video-related tasks. AGP delivers a smooth, true-color video image because of the faster interface between the video circuitry and the computer memory.

AHCI — Advanced Host Controller Interface — An interface for a SATA hard drive Host Controller which allows the storage driver to enable technologies such as Native Command Queuing (NCQ) and hot plug.

ALS — ambient light sensor — A feature that helps to control display brightness.

antivirus software — A program designed to identify, quarantine, and/or delete viruses from your computer.

ASF — alert standards format — A standard to define a mechanism for reporting hardware and software alerts to a management console. ASF is designed to be platform- and operating system-independent.

B

battery life span — The length of time (years) during which a portable computer battery is able to be depleted and recharged.

battery operating time — The length of time (minutes or hours) that a portable computer battery powers the computer.

BIOS — basic input/output system — A program (or utility) that serves as an interface between the computer hardware and the operating system. Unless you understand what effect these settings have on the computer, do not change them. Also referred to as *system setup*.

bit — The smallest unit of data interpreted by your computer.

Bluetooth[®] wireless technology — A wireless technology standard for short-range (9 m [29 feet]) networking devices that allows for enabled devices to automatically recognize each other.

boot sequence — Specifies the order of the devices from which the computer attempts to boot.

bootable CD — A CD that you can use to start your computer. In case your hard drive is damaged or your computer has a virus, ensure that you always have a bootable CD or floppy disk available. Your *Drivers and Utilities* (or *ResourceCD*) is a bootable CD.

bootable disk — A disk that you can use to start your computer. In case your hard drive is damaged or your computer has a virus, ensure that you always have a bootable CD or floppy disk available.

bps — bits per second — The standard unit for measuring data transmission speed.

BTU — British thermal unit — A measurement of heat output.

bus — A communication pathway between the components in your computer.

bus speed — The speed, given in MHz, that indicates how fast a bus can transfer information.

byte — The basic data unit used by your computer. A byte is usually equal to 8 bits.

C

C — Celsius — A temperature measurement scale where 0° is the freezing point and 100° is the boiling point of water.

cache — A special high-speed storage mechanism which can be either a reserved section of main memory or an independent high-speed storage device. The cache enhances the efficiency of many processor operations.

L1 cache — Primary cache stored inside the processor.

L2 cache — Secondary cache which can either be external to the processor or incorporated into the processor architecture.

carnet — An international customs document that facilitates temporary imports into foreign countries. Also known as a *merchandise passport*.

CD-R — CD recordable — A recordable version of a CD. Data can be recorded only once onto a CD-R. Once recorded, the data cannot be erased or written over.

CD-RW — CD rewritable — A rewritable version of a CD. Data can be written to a CD-RW disc, and then erased and written over (rewritten).

CD-RW drive — A drive that can read CDs and write to CD-RW (rewritable CDs) and CD-R (recordable CDs) discs. You can write to CD-RW discs multiple times, but you can write to CD-R discs only once.

CD-RW/DVD drive — A drive, sometimes referred to as a combo drive, that can read CDs and DVDs and write to CD-RW (rewritable CDs) and CD-R (recordable CDs) discs. You can write to CD-RW discs multiple times, but you can write to CD-R discs only once.

clock speed — The speed, given in MHz, that indicates how fast computer components that are connected to the system bus operate.

COA — Certificate of Authenticity — The Windows alpha-numeric code located on a sticker on your computer. Also referred to as the *Product Key* or *Product ID*.

Control Panel — A Windows utility that allows you to modify operating system and hardware settings, such as display settings.

controller — A chip that controls the transfer of data between the processor and memory or between the processor and devices.

CRIMM — continuity rambus in-line memory module — A special module that has no memory chips and is used to fill unused RIMM slots.

cursor — The marker on a display or screen that shows where the next keyboard, touch pad, or mouse action will occur. It often is a blinking solid line, an underline character, or a small arrow.

D

DDR SDRAM — double-data-rate SDRAM — A type of SDRAM that doubles the data burst cycle, improving system performance.

DDR2 SDRAM — double-data-rate 2 SDRAM — A type of DDR SDRAM that uses a 4-bit prefetch and other architectural changes to boost memory speed to over 400 MHz.

device — Hardware such as a disk drive, printer, or keyboard that is installed in or connected to your computer.

device driver — See *driver*.

DIMM — dual in-line memory module — A circuit board with memory chips that connects to a memory module on the system board.

DIN connector — A round, six-pin connector that conforms to DIN (Deutsche Industrie-Norm) standards; it is typically used to connect PS/2 keyboard or mouse cable connectors.

disk striping — A technique for spreading data over multiple disk drives. Disk striping can speed up operations that retrieve data from disk storage. Computers that use disk striping generally allow the user to select the data unit size or stripe width.

DMA — direct memory access — A channel that allows certain types of data transfer between RAM and a device to bypass the processor.

DMTF — Distributed Management Task Force — A consortium of hardware and software companies who develop management standards for distributed desktop, network, enterprise, and Internet environments.

domain — A group of computers, programs, and devices on a network that are administered as a unit with common rules and procedures for use by a specific group of users. A user logs on to the domain to gain access to the resources.

DRAM — dynamic random-access memory — Memory that stores information in integrated circuits containing capacitors.

driver — Software that allows the operating system to control a device such as a printer. Many devices do not work properly if the correct driver is not installed in the computer.

DSL — Digital Subscriber Line — A technology that provides a constant, high-speed Internet connection through an analog telephone line.

dual-core — A technology in which two physical computational units exist inside a single processor package, thereby increasing computing efficiency and multi-tasking ability.

dual display mode — A display setting that allows you to use a second monitor as an extension of your display. Also referred to as *extended display mode*.

DVD-R — DVD recordable — A recordable version of a DVD. Data can be recorded only once onto a DVD-R. Once recorded, the data cannot be erased or written over.

DVD+RW — DVD rewritable — A rewritable version of a DVD. Data can be written to a DVD+RW disc, and then erased and written over (rewritten). (DVD+RW technology is different from DVD-RW technology.)

DVD+RW drive — drive that can read DVDs and most CD media and write to DVD+RW (rewritable DVDs) discs.

DVI — digital video interface — A standard for digital transmission between a computer and a digital video display.

E

ECC — error checking and correction — A type of memory that includes special circuitry for testing the accuracy of data as it passes in and out of memory.

ECP — extended capabilities port — A parallel connector design that provides improved bidirectional data transmission. Similar to EPP, ECP uses direct memory access to transfer data and often improves performance.

EIDE — enhanced integrated device electronics — An improved version of the IDE interface for hard drives and CD drives.

EMI — electromagnetic interference — Electrical interference caused by electromagnetic radiation.

EPP — enhanced parallel port — A parallel connector design that provides bidirectional data transmission.

ESD — electrostatic discharge — A rapid discharge of static electricity. ESD can damage integrated circuits found in computer and communications equipment.

expansion card — A circuit board that installs in an expansion slot on the system board in some computers, expanding the capabilities of the computer. Examples include video, modem, and sound cards.

expansion slot — A connector on the system board (in some computers) where you insert an expansion card, connecting it to the system bus.

ExpressCard — A removable I/O card adhering to the PCMCIA standard. Modems and network adapters are common types of ExpressCards. ExpressCards support both the PCI Express and USB 2.0 standard.

Express Service Code — A numeric code located on a sticker on your Dell™ computer. Use the Express Service Code when contacting Dell for assistance. Express Service Code service may not be available in some countries.

extended display mode — A display setting that allows you to use a second monitor as an extension of your display. Also referred to as *dual display mode*.

extended PC Card — A PC Card that extends beyond the edge of the PC Card slot when installed.

F

Fahrenheit — A temperature measurement scale where 32° is the freezing point and 212° is the boiling point of water.

FBD — fully-buffered DIMM — A DIMM with DDR2 DRAM chips and an Advanced Memory Buffer (AMB) that speeds communication between the DDR2 SDRAM chips and the system.

FCC — Federal Communications Commission — A U.S. agency responsible for enforcing communications-related regulations that state how much radiation computers and other electronic equipment can emit.

fingerprint reader — A strip sensor that uses your unique fingerprint to authenticate your user identity to help secure your computer.

folder — A term used to describe space on a disk or drive where files are organized and grouped. Files in a folder can be viewed and ordered in various ways, such as alphabetically, by date, and by size.

format — The process that prepares a drive or disk for file storage. When a drive or disk is formatted, the existing information on it is lost.

FSB — front side bus — The data path and physical interface between the processor and RAM.

FTP — file transfer protocol — A standard Internet protocol used to exchange files between computers connected to the Internet.

G

G — gravity — A measurement of weight and force.

GB — gigabyte — A measurement of data storage that equals 1024 MB (1,073,741,824 bytes). When used to refer to hard drive storage, the term is often rounded to 1,000,000,000 bytes.

GHz — gigahertz — A measurement of frequency that equals one thousand million Hz, or one thousand MHz. The speeds for computer processors, buses, and interfaces are often measured in GHz.

graphics mode — A video mode that can be defined as x horizontal pixels by y vertical pixels by z colors. Graphics modes can display an unlimited variety of shapes and fonts.

GUI — graphical user interface — Software that interacts with the user by means of menus, windows, and icons. Most programs that operate on the Windows operating systems are GUIs.

H

hard drive — A drive that reads and writes data on a hard disk. The terms hard drive and hard disk are often used interchangeably.

heat sink — A metal plate on some processors that helps dissipate heat.

hibernate mode — A power management mode that saves everything in memory to a reserved space on the hard drive and then turns off the computer. When you restart the computer, the memory information that was saved to the hard drive is automatically restored.

HTTP — hypertext transfer protocol — A protocol for exchanging files between computers connected to the Internet.

Hz — hertz — A unit of frequency measurement that equals 1 cycle per second. Computers and electronic devices are often measured in kilohertz (kHz), megahertz (MHz), gigahertz (GHz), or terahertz (THz).

I

IC — integrated circuit — A semiconductor wafer, or chip, on which thousands or millions of tiny electronic components are fabricated for use in computer, audio, and video equipment.

IDE — integrated device electronics — An interface for mass storage devices in which the controller is integrated into the hard drive or CD drive.

IEEE 1394 — Institute of Electrical and Electronics Engineers, Inc. — A high-performance serial bus used to connect IEEE 1394-compatible devices, such as digital cameras and DVD players, to the computer.

infrared sensor — A port that allows you to transfer data between the computer and infrared-compatible devices without using a cable connection.

integrated — Usually refers to components that are physically located on the computer's system board. Also referred to as *built-in*.

I/O — input/output — An operation or device that enters and extracts data from your computer. Keyboards and printers are I/O devices.

I/O address — An address in RAM that is associated with a specific device (such as a serial connector, parallel connector, or expansion slot) and allows the processor to communicate with that device.

IrDA — Infrared Data Association — The organization that creates international standards for infrared communications.

IRQ — interrupt request — An electronic pathway assigned to a specific device so that the device can communicate with the processor. Each device connection must be assigned an **IRQ**. Although two devices can share the same **IRQ** assignment, you cannot operate both devices simultaneously.

ISP — Internet service provider — A company that allows you to access its host server to connect directly to the Internet, send and receive e-mail, and access websites. The ISP typically provides you with a software package, user name, and access phone numbers for a fee.

K

Kb — kilobit — A unit of data that equals 1024 bits. A measurement of the capacity of memory integrated circuits.

KB — kilobyte — A unit of data that equals 1024 bytes but is often referred to as 1000 bytes.

key combination — A command requiring you to press multiple keys at the same time.

kHz — kilohertz — A measurement of frequency that equals 1000 Hz.

L

LAN — local area network — A computer network covering a small area. A LAN usually is confined to a building or a few nearby buildings. A LAN can be connected to another LAN over any distance through telephone lines and radio waves to form a wide area network (WAN).

LCD — liquid crystal display — The technology used by portable computer and flat-panel displays.

LED — light-emitting diode — An electronic component that emits light to indicate the status of the computer.

local bus — A data bus that provides a fast throughput for devices to the processor.

LPT — line print terminal — The designation for a parallel connection to a printer or other parallel device.

M

Mb — megabit — A measurement of memory chip capacity that equals 1024 Kb.

Mbps — megabits per second — One million bits per second. This measurement is typically used for transmission speeds for networks and modems.

MB — megabyte — A measurement of data storage that equals 1,048,576 bytes. 1 MB equals 1024 KB. When used to refer to hard drive storage, the term is often rounded to 1,000,000 bytes.

MB/sec — megabytes per second — One million bytes per second. This measurement is typically used for data transfer ratings.

media bay — A bay that supports devices such as optical drives, a second battery, or a Dell TravelLite™ module.

memory — A temporary data storage area inside your computer. Because the data in memory is not permanent, it is recommended that you frequently save your files while you are working on them, and always save your files before you shut down the computer. Your computer can contain several different forms of memory, such as RAM, ROM, and video memory. Frequently, the word memory is used as a synonym for RAM.

memory address — A specific location where data is temporarily stored in RAM.

memory mapping — The process by which the computer assigns memory addresses to physical locations at start-up. Devices and software can then identify information that the processor can access.

memory module — A small circuit board containing memory chips, which connects to the system board.

MHz — megahertz — A measure of frequency that equals 1 million cycles per second. The speeds for computer processors, buses, and interfaces are often measured in MHz.

Mini PCI — A standard for integrated peripheral devices with an emphasis on communications such as modems and NICs. A Mini PCI card is a small external card that is functionally equivalent to a standard PCI expansion card.

Mini-Card — A small card designed for integrated peripherals, such as communication NICs. The Mini-Card is functionally equivalent to a standard PCI expansion card.

modem — A device that allows your computer to communicate with other computers over analog telephone lines. Three types of modems include: external, PC Card, and internal. You typically use your modem to connect to the Internet and exchange e-mail.

module bay — See *media bay*.

MP — megapixel — A measure of image resolution used for digital cameras.

ms — millisecond — A measure of time that equals one thousandth of a second. Access times of storage devices are often measured in ms.

N

network adapter — A chip that provides network capabilities. A computer may include a network adapter on its system board, or it may contain a PC Card with an adapter on it. A network adapter is also referred to as a *NIC* (network interface controller).

NIC — See *network adapter*.

notification area — The section of the Windows taskbar that contains icons for providing quick access to programs and computer functions, such as the clock, volume control, and print status. Also referred to as *system tray*.

ns — nanosecond — A measure of time that equals one billionth of a second.

NVRAM — nonvolatile random access memory — A type of memory that stores data when the computer is turned off or loses its external power source. NVRAM is used for maintaining computer configuration information such as date, time, and other system setup options that you can set.

O

optical drive — A drive that uses optical technology to read or write data from CDs, DVDs, or DVD+RWs. Example of optical drives include CD drives, DVD drives, CD-RW drives, and CD-RW/DVD combo drives.

P

partition — A physical storage area on a hard drive that is assigned to one or more logical storage areas known as logical drives. Each partition can contain multiple logical drives.

PC Card — A removable I/O card adhering to the PCMCIA standard. Modems and network adapters are common types of PC Cards.

PCI — peripheral component interconnect — PCI is a local bus that supports 32- and 64-bit data paths, providing a high-speed data path between the processor and devices such as video, drives, and networks.

PCI Express — A modification to the PCI interface that boosts the data transfer rate between the processor and the devices attached to it. PCI Express can transfer data at speeds from 250 MB/sec to 4 GB/sec. If the PCI Express chip set and the device are capable of different speeds, they will operate at the slower speed.

PCMCIA — Personal Computer Memory Card International Association — The organization that establishes standards for PC Cards.

PIO — programmed input/output — A method of transferring data between two devices through the processor as part of the data path.

pixel — A single point on a display screen. Pixels are arranged in rows and columns to create an image. A video resolution, such as 800 x 600, is expressed as the number of pixels across by the number of pixels up and down.

Plug-and-Play — The ability of the computer to automatically configure devices. Plug and Play provides automatic installation, configuration, and compatibility with existing hardware if the BIOS, operating system, and all devices are Plug and Play compliant.

POST — power-on self-test — Diagnostics programs, loaded automatically by the BIOS, that perform basic tests on the major computer components, such as memory, hard drives, and video. If no problems are detected during POST, the computer continues the start-up.

processor — A computer chip that interprets and executes program instructions. Sometimes the processor is referred to as the CPU (central processing unit).

PS/2 — personal system/2 — A type of connector for attaching a PS/2-compatible keyboard, mouse, or keypad.

PXE — pre-boot execution environment — A WfM (Wired for Management) standard that allows networked computers that do not have an operating system to be configured and started remotely.

R

RAID — redundant array of independent disks — A method of providing data redundancy. Some common implementations of RAID include RAID 0, RAID 1, RAID 5, RAID 10, and RAID 50.

RAM — random-access memory — The primary temporary storage area for program instructions and data. Any information stored in RAM is lost when you shut down your computer.

readme file — A text file included with a software package or hardware product. Typically, readme files provide installation information and describe new product enhancements or corrections that have not yet been documented.

read-only — Data and/or files you can view but cannot edit or delete. A file can have read-only status if:

- It resides on a physically write-protected floppy disk, CD, or DVD.
- It is located on a network in a directory and the system administrator has assigned rights only to specific individuals.

refresh rate — The frequency, measured in Hz, at which your screen's horizontal lines are recharged (sometimes also referred to as its *vertical frequency*). The higher the refresh rate, the less video flicker can be seen by the human eye.

resolution — The sharpness and clarity of an image produced by a printer or displayed on a monitor. The higher the resolution, the sharper the image.

RFI — radio frequency interference — Interference that is generated at typical radio frequencies, in the range of 10 kHz to 100,000 MHz. Radio frequencies are at the lower end of the electromagnetic frequency spectrum and are more likely to have interference than the higher frequency radiations, such as infrared and light.

ROM — read-only memory — Memory that stores data and programs that cannot be deleted or written to by the computer. ROM, unlike RAM, retains its contents after you shut down your computer. Some programs essential to the operation of your computer reside in ROM.

RPM — revolutions per minute — The number of rotations that occur per minute. Hard drive speed is often measured in rpm.

RTC — real time clock — Battery-powered clock on the system board that keeps the date and time after you shut down the computer.

RTCST — real-time clock reset — A jumper on the system board of some computers that can often be used for troubleshooting problems.

S

SAS — serial attached SCSI — A faster, serial version of the SCSI interface (as opposed to the original SCSI parallel architecture).

SATA — serial ATA — A faster, serial version of the ATA (IDE) interface.

ScanDisk — A Microsoft utility that checks files, folders, and the hard disk's surface for errors. ScanDisk often runs when you restart the computer after it has stopped responding.

SCSI — small computer system interface — A high-speed interface used to connect devices to a computer, such as hard drives, CD drives, printers, and scanners. The SCSI can connect many devices using a single controller. Each device is accessed by an individual identification number on the SCSI controller bus.

SDRAM — synchronous dynamic random-access memory — A type of DRAM that is synchronized with the optimal clock speed of the processor.

serial connector — An I/O port often used to connect devices such as a handheld digital device or digital camera to your computer.

Service Tag — A bar code label on your computer that identifies your computer when you access Dell Support at support.dell.com or when you call Dell for customer service or technical support.

setup program — A program that is used to install and configure hardware and software. The **setup.exe** or **install.exe** program comes with most Windows software packages. *Setup program* differs from *system setup*.

shortcut — An icon that provides quick access to frequently used programs, files, folders, and drives. When you place a shortcut on your Windows desktop and double-click the icon, you can open its corresponding folder or file without having to find it first. Shortcut icons do not change the location of files. If you delete a shortcut, the original file is not affected. Also, you can rename a shortcut icon.

SIM — Subscriber Identity Module — A SIM card contains a microchip that encrypts voice and data transmissions. SIM cards can be used in phones or portable computers.

smart card — A card that is embedded with a processor and a memory chip. Smart cards can be used to authenticate a user on computers equipped for smart cards.

S/PDIF — Sony/Philips Digital Interface — An audio transfer file format that allows the transfer of audio from one file to another without converting it to and from an analog format, which could degrade the quality of the file.

standby mode — A power management mode that shuts down all unnecessary computer operations to save energy.

Strike Zone™ — Reinforced area of the platform base that protects the hard drive by acting as a dampening device when a computer experiences resonating shock or is dropped (whether the computer is on or off).

surge protectors — Prevent voltage spikes, such as those that may occur during an electrical storm, from entering the computer through the electrical outlet. Surge protectors do not protect against lightning strikes or against brownouts, which occur when the voltage drops more than 20 percent below the normal AC-line voltage level.

Network connections cannot be protected by surge protectors. Always disconnect the network cable from the network connector during electrical storms.

SVGA — super-video graphics array — A video standard for video cards and controllers. Typical SVGA resolutions are 800 x 600 and 1024 x 768.

The number of colors and resolution that a program displays depends on the capabilities of the monitor, the video controller and its drivers, and the amount of video memory installed in the computer.

S-video TV-out — A connector used to attach a TV or digital audio device to the computer.

SXGA — super-extended graphics array — A video standard for video cards and controllers that supports resolutions up to 1280 x 1024.

SXGA+ — super-extended graphics array plus — A video standard for video cards and controllers that supports resolutions up to 1400 x 1050.

system board — The main circuit board in your computer. Also known as the *motherboard*.

system setup — A utility that serves as an interface between the computer hardware and the operating system. System setup allows you to configure user-selectable options in the BIOS, such as date and time or system password. Unless you understand what effect the settings have on the computer, do not change the settings for this program.

T

TAPI — telephony application programming interface — Enables Windows programs to operate with a wide variety of telephony devices, including voice, data, fax, and video.

text editor — A program used to create and edit files that contain only text; for example, Windows Notepad uses a text editor. Text editors do not usually provide word wrap or formatting functionality (the option to underline, change fonts, and so on).

TPM — trusted platform module — A hardware-based security feature that when combined with security software enhances network and computer security by enabling features such as file and e-mail protection.

travel module — A plastic device designed to fit inside the module bay of a portable computer to reduce the weight of the computer.

U

UMA — unified memory allocation — System memory dynamically allocated to video.

UPS — uninterruptible power supply — A backup power source used when the electrical power fails or drops to an unacceptable voltage level. A UPS keeps a computer running for a limited amount of time when there is no electrical power. UPS systems typically provide surge suppression and may also provide voltage regulation. Small UPS systems provide battery power for a few minutes to enable you to shut down your computer.

USB — universal serial bus — A hardware interface for a low-speed device such as a USB-compatible keyboard, mouse, joystick, scanner, set of speakers, printer, broadband devices (DSL and cable modems), imaging devices, or storage devices. Devices are plugged directly in to a 4-pin socket on your computer or in to a multi-port hub that plugs in to your computer. USB devices can be connected and disconnected while the computer is turned on, and they can also be daisy-chained together.

UTP — unshielded twisted pair — Describes a type of cable used in most telephone networks and some computer networks. Pairs of unshielded wires are twisted to protect against electromagnetic interference, rather than relying on a metal sheath around each pair of wires to protect against interference.

UXGA — ultra extended graphics array — A video standard for video cards and controllers that supports resolutions up to 1600 x 1200.

V

video controller — The circuitry on a video card or on the system board (in computers with an integrated video controller) that provides the video capabilities—in combination with the monitor—for your computer.

video memory — Memory that consists of memory chips dedicated to video functions. Video memory is usually faster than system memory. The amount of video memory installed primarily influences the number of colors that a program can display.

video mode — A mode that describes how text and graphics are displayed on a monitor. Graphics-based software, such as Windows operating systems, displays in video modes that can be defined as x horizontal pixels by y vertical pixels by z colors. Character-based software, such as text editors, displays in video modes that can be defined as x columns by y rows of characters.

video resolution — See *resolution*.

virus — A program that is designed to inconvenience you or to destroy data stored on your computer. A virus program moves from one computer to another through an infected disk, software downloaded from the Internet, or e-mail attachments. When an infected program starts, its embedded virus also starts.

A common type of virus is a boot virus, which is stored in the boot sectors of a floppy disk. If the floppy disk is left in the drive when the computer is shut down and then turned on, the computer is infected when it reads the boot sectors of the floppy disk expecting to find the operating system. If the computer is infected, the boot virus may replicate itself onto all the floppy disks that are read or written in that computer until the virus is eradicated.

V — volt — The measurement of electric potential or electromotive force. One V appears across a resistance of 1 ohm when a current of 1 ampere flows through that resistance.

W

W — watt — The measurement of electrical power. One W is 1 ampere of current flowing at 1 volt.

WHr — watt-hour — A unit of measure commonly used to indicate the approximate capacity of a battery. For example, a 66-WHr battery can supply 66 W of power for 1 hour or 33 W for 2 hours.

wallpaper — The background pattern or picture on the Windows desktop. Change your wallpaper through the Windows Control Panel. You can also scan in your favorite picture and make it wallpaper.

WLAN — wireless local area network. A series of interconnected computers that communicate with each other over the air waves using access points or wireless routers to provide Internet access.

write-protected — Files or media that cannot be changed. Use write-protection when you want to protect data from being changed or destroyed. To write-protect a 3.5-inch floppy disk, slide its write-protect tab to the open position.

WWAN — wireless wide area network. A wireless high-speed data network using cellular technology and covering a much larger geographic area than WLAN.

WXGA — wide-aspect extended graphics array — A video standard for video cards and controllers that supports resolutions up to 1280 x 800.

X

XGA — extended graphics array — A video standard for video cards and controllers that supports resolutions up to 1024 x 768.

Z

ZIF — zero insertion force — A type of socket or connector that allows a computer chip to be installed or removed with no stress applied to either the chip or its socket.

Zip — A popular data compression format. Files that have been compressed with the Zip format are called Zip files and usually have a filename extension of **.zip**. A special kind of zipped file is a self-extracting file, which has a filename extension of **.exe**. You can unzip a self-extracting file by double-clicking it.

Zip drive — A high-capacity floppy drive developed by Iomega Corporation that uses 3.5-inch removable disks called Zip disks. Zip disks are slightly larger than regular floppy disks, about twice as thick, and hold up to 100 MB of data.

Index

A

audio. See *sound*

B

battery

problems, 55

replacing, 144

beep codes, 80

Bezel, 123

bezel

removing, 123

replacing, 124

BIOS, 172

boot sequence

about, 175

changing, 175

option settings, 175

booting

to a USB device, 175

C

cards

installing PCI, 117

PCI, 116

removing PCI, 121

slots, 116

types supported, 116

CD/DVD drive

installing, 143

problems, 57

removing, 142

CD-RW drive

problems, 57

CDs, 28

playing, 25

Check Disk, 58

CMOS settings

clearing, 177

computer

beep codes, 80

components inside, 106

crashes, 62-64

inside view, 106

restore to previous state, 92-93

stops responding, 62-63

conflicts

software and hardware

incompatibilities, 91

contacting Dell, 188

copying CDs

general information, 28

helpful tips, 30

how to, 28

- copying DVDs
 - general information, 28
 - helpful tips, 30
 - how to, 28

- cover
 - removing, 103-104
 - replacing, 165

D

- Dell
 - contacting, 183, 188
 - support policy, 180
 - support site, 13

- Dell Diagnostics, 84

- DellConnect, 184

- diagnostics
 - beep codes, 80
 - Dell, 84

- documentation

- End User License Agreement, 11
- ergonomics, 11
- Finding Information, 11
- online, 13
- Product Information Guide, 11
- regulatory, 11
- safety, 11
- Setup Diagram, 11
- warranty, 11

- Drivers
 - manually reinstalling, 90

- drivers, 87
 - about, 87
 - identifying, 87
 - reinstalling, 88

- Drivers and Utilities media, 89

- drives, 124
 - hard drive, 126
 - installing CD/DVD, 143
 - installing floppy, 133
 - installing hard drive, 128
 - problems, 56
 - removing CD/DVD, 142
 - removing floppy, 131
 - removing hard drive, 127
 - second hard drive, 129
 - serial ATA, 126

- DVD drive
 - problems, 57

- DVDs, 28
 - playing, 25

E

- e-mail
 - problems, 58

- End User License Agreement, 11

- ergonomics information, 11

- error messages
 - beep codes, 80
 - troubleshooting, 60

F

Files and Settings Transfer Wizard, 47

Finding Information, 11

Flex Bay drive
Media Card Reader, 16

floppy drive
installing, 133
removing, 131

H

hard drive
installing, 128
installing second, 129
problems, 58
removing, 127

hardware
beep codes, 80
conflicts, 91
Dell Diagnostics, 84

Help and Support Center, 14

help file
Windows Help and Support Center, 14

hibernate mode, 40

I

I/O panel
replacing, 154

installing parts
before you begin, 101
recommended tools, 101

Installing Your Computer in an Enclosure, 21

Internet
problems, 58

Internet connection
about, 51
options, 51
setting up, 51

IRQ conflicts, 91

K

keyboard
problems, 62

L

labels
Microsoft Windows, 12
Service Tag, 12, 16

M

Media Card Reader
installing, 137, 139
problems, 66
removing, 137
using, 31

- memory
 - installing, 113
 - problems, 67

- messages
 - error, 60

- modem
 - problems, 58

- monitor
 - blank, 76
 - clone mode, 35
 - connect DVI, 33-34
 - connect TV, 33-34
 - connect two, 33-34
 - connect VGA, 33-34
 - display settings, 35
 - extended desktop mode, 35
 - hard to read, 77

- motherboard. See *system board*

- mouse
 - problems, 68

N

- network
 - Network Setup Wizard, 50
 - problems, 69
 - setting up, 49

- Network Setup Wizard, 50

P

- password
 - clearing, 176
 - jumper, 176

- PCI cards
 - installing, 117
 - removing, 121

- phone numbers, 188
- playing CDs and DVDs, 25

- power
 - button, 16
 - conserving, 35
 - hibernate mode, 40
 - managing, 35
 - options, advanced, 42
 - plans, 40
 - problems, 70
 - standby mode, 39

- power light
 - conditions, 70

- Power Plan in Vista, 40

- printer
 - cable, 23
 - connecting, 23
 - problems, 71
 - setting up, 23
 - USB, 23

- problems
 - battery, 55
 - beep codes, 80
 - blue screen, 64
 - CD drive, 57
 - CD-RW drive, 57
 - computer crashes, 62-64
 - computer stops responding, 62-63
 - conflicts, 91
 - Dell Diagnostics, 84

- drives, 56
- DVD drive, 57
- e-mail, 58
- error messages, 60
- general, 62
- hard drive, 58
- Internet, 58
- keyboard, 62
- Media Card Reader, 66
- memory, 67
- modem, 58
- monitor is blank, 76
- monitor is hard to read, 77
- mouse, 68
- network, 69
- power, 70
- power light conditions, 70
- printer, 71
- program crashes, 63
- program stops responding, 63
- programs and Windows
 - compatibility, 64
- restore to previous state, 92-93
- scanner, 73
- screen is blank, 76
- screen is hard to read, 77
- software, 63-65
- sound and speakers, 74
- technical support policy, 180
- troubleshooting tips, 55
- volume adjusting, 74

Product Information Guide, 11

Program Compatibility Wizard, 64

R

- regulatory information, 11
- Removing Memory, 115
- Replacing the Drive Panel
 - Insert, 136
- ResourceCD
 - Dell Diagnostics, 84

S

- S.M.A.R.T, 83
- safety instructions, 11
- SATA. See *serial ATA*
- scanner
 - problems, 73
- serial ATA, 126
- Service Tag, 12, 16
- settings
 - system setup, 172
- Setup Diagram, 11
- software
 - conflicts, 91
 - problems, 63-65
- sound
 - problems, 74
 - volume, 74
- speaker
 - problems, 74
 - volume, 74

- specifications
 - audio, 168
 - computer information, 167
 - connectors, 169
 - controls and lights, 170
 - drives, 169
 - environmental, 171
 - expansion bus, 168
 - memory, 167
 - physical, 171
 - power, 171
 - processor, 167
 - technical, 167
 - video, 167
- standby mode, 39
- Starting the Dell Diagnostics
 - From the Drivers and Utilities CD, 85
- Starting the Dell Diagnostics From Your Hard Drive, 84
- support
 - contacting Dell, 183, 188
 - policy, 180
- support website, 13
- system board, 107
- System Restore, 92-93
- system setup
 - about, 172
 - entering, 172
 - options, 173
 - screens, 173

T

- technical support
 - policy, 180
- telephone numbers, 188
- transferring information to a new computer, 47
- troubleshooting
 - conflicts, 91
 - Dell Diagnostics, 84
 - Hardware Troubleshooter, 91
 - Help and Support Center, 14
 - restore to previous state, 92-93
 - tips, 55
- TV
 - connect to computer, 33-34

U

- USB
 - booting to devices, 175
- Using Windows Device Driver Rollback, 88

V

- volume
 - adjusting, 74

W

warranty information, 11

Windows Vista

Device Driver Rollback, 88

Files and Settings Transfer
Wizard, 47

Hardware Troubleshooter, 91

Help and Support Center, 14

Network Setup Wizard, 50

Program Compatibility
Wizard, 64

scanner, 73

System Restore, 92-93

wizards

Files and Settings Transfer
Wizard, 47

Network Setup Wizard, 50

Program Compatibility
Wizard, 64

