

Dell Cast Adapter


User's Manual


Marketing model : Dell Cast Adapter


Regulatory model : BEL01

Regulatory type : BEL01001



 NOTE: A NOTE indicates important information that helps you make better use of your Dell Cast Adapter

 CAUTION: A CAUTION indicates potential damage to hardware or loss of data if instructions are not followed.

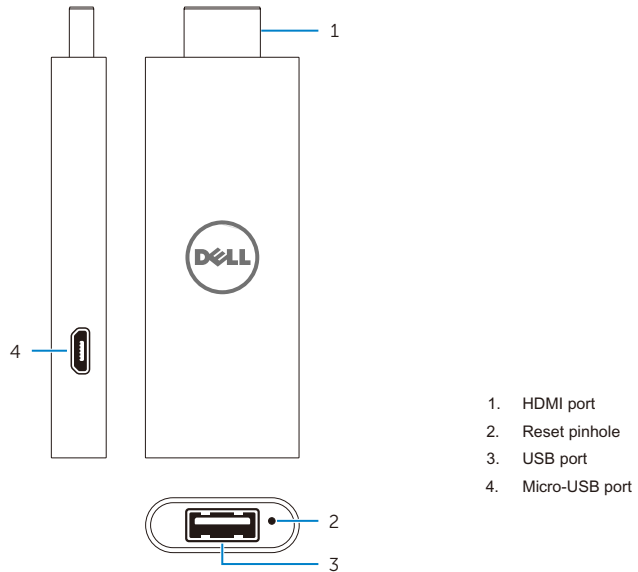
 WARNING: A WARNING indicates a potential for property damage, personal injury, or death.

© 2014 Dell Inc. All rights reserved.

Information in this document is subject to change without notice. Reproduction of these materials in any manner whatsoever without the written permission of Dell Inc. is strictly forbidden.


Trademarks used in this text: Dell™, the DELL logo, and Venue™ are trademarks of Dell Inc. Bluetooth® is a registered trademark owned by Bluetooth SIG, Inc. and is used by Dell under license. Other trademarks and trade names may be used in this document to refer to either the entities claiming the marks and names or their products. Dell Inc. disclaims any proprietary interest in trademarks and trade names other than its own.

Features



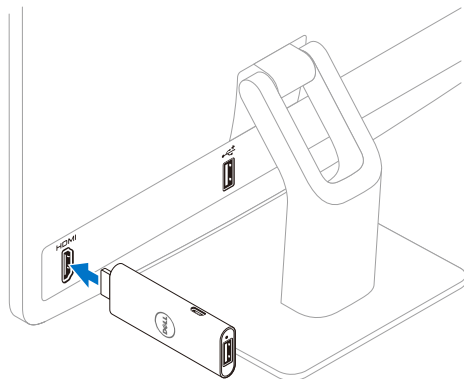
Part	Functionality
1. HDMI port	Plugs into any HDMI port on your TV , Monitor , Projector
2. Reset Pinhole	Reset your device to default setting
3. USB port	Can plug in mouse , keyboard, USB HUB
4. Micro-USB port	Connect the USB cable to provide power to your Dell Cast Adapter

Step Your Dell Cast Adapter

 **NOTE:** Your Dell Cast Adapter may can't power on when you provide the power from a stander USB port of other devices and the Device go into sleep mode. please avoid the device going into sleep made.

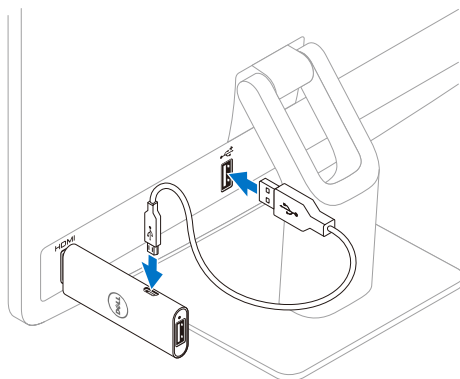
1. Connect the HDMI dongle to a HDMI-in port

your Dell Cast Adapter plugs into any HDMI port on you TV, Monitor, Projector



A HDMI extender is Optional ,and can be used if your Dell Cast Adapter does not fit directly into your TV, Monitor, Projector it may also be used to improve your WI-fi reception. attach between your Dell Cast Adapter and your TV, Monitor, Projector

2. Connect the power cable

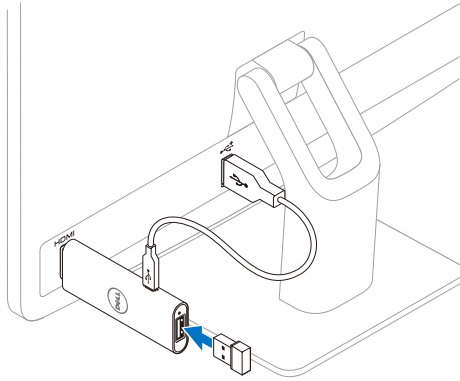


1. Connect the micro-USB end of the USB cable to the USB port of the Dell Cast Adapter.
2. The other end of the USB cable plugs into either a USB port on your TV, Monitor, Projector, or the power supply.
3. the power supply is optional, and can be used with the USB cable to power your Dell Cast Adapter if your TV, Monitor, Projector does not have a USB port.

4  Step your Dell Cast Adapter

Connect keyboard, mouse, HUB,

 NOTE: Make sure your TV, Monitor, Projector select HDMI channel .



Connect to the Dell Cast

Connect to the Dell Cast

Productivity Mode

1. Open the Dell Cast app on your tablet.
2. In the Dell Cast app window, select the Dell Cast under ADAPTERS
3. Tap Productivity Mode and follow the instructions on screen.

Miracast

1. Open WiFi on your tablet.
2. In the Cast Screen window, Enable wireless display,
3. select the HDMI dongle under ADAPTERS and go into Screen Cast.

Warnings to users

Dell Cast Adapter may get hot to the touch; this is normal, Unplug Dell Cast Adapter's power source and let it cool before removing it from your television.

Use only the cables provided with your device to plug Dell Cast Adapter into a power source. Using other cables may damage Dell Cast Adapter and /or your television.

Do not expose Dell Cast Adapter to water or extreme conditions(heat,cold,dust),as Dell Cast Adapter may malfunction or cease to work when exposed to such elements.

Do not attempt to disassemble or repair Dell Cast Adapter yourself. Doing so voids the limited warranty and could harm you, your television ,and/or Dell Cast Adapter.

Dell Cast Adapter is an entertainment device; it is not designed, manufactured or intended for use in hazardous environments requiring fail-safe performance in which the failure of Dell Cast Adapter could lead directly to death, personal injury,or severe physical or environmental damage.

Certification Information for FCC Statement



NOTE: The Manufacturer is not responsible for any radio or TV interference caused by unauthorised modifications to this equipment. Such modifications could void the user's authority to operate the equipment.

This device has been tested and found to comply with the limits for a Class B digital device, pursuant to Part 15 of the FCC Rules. These limits are designed to provide reasonable protection against harmful interference in a residential installation. This equipment generates, uses and can radiate radio frequency energy and, if not installed and used in accordance with the instructions, may cause harmful interference to radio communications. However, there is no guarantee that interference will not occur in a particular installation. If this equipment does cause harmful interference to radio or television reception, which can be determined by turning the equipment off and on, the user is encouraged to try to correct the interference by one or more of the following measures:

- Reorient or relocate the receiving antenna.
- Increase the separation between the equipment and receiver.
- Connect the equipment into an outlet on a circuit different from that to which the receiver is connected.
- Consult the dealer or an experienced radio/TV technician for help.

This device complies with Part 15 of the FCC Rules. Operation is subject to the following two conditions: (1) this device may not cause harmful interference, and (2) this device must accept any interference received, including interference that may cause undesired operation.

Changes or modifications not expressly approved by the party responsible for compliance could void the user's authority to operate Dell cast adapter or warranty.

This device complies with FCC RF radiation exposure limits set forth for an uncontrolled environment. This device and its antenna must not be co-located or operating in conjunction with any other antenna or transmitter. To comply with FCC RF exposure compliance requirements, this grant is applicable to only Mobile Configurations.

The antennas used for this transmitter must be installed to provide a separation distance of at least 20 cm from all persons and must not be co-located or operating in conjunction with any other antenna or transmitter.

Certification Information for IC Statement

This device complies with Industry Canada licence-exempt RSS-210 standard(s). Operation is subject to the following two conditions:

- (1) this device may not cause interference, and
- (2) this device must accept any interference, including interference that may cause undesired operation of the device.

Le présent appareil est conforme aux CNR d'Industrie Canada RSS-210 applicables aux appareils radio exempts de licence. L'exploitation est autorisée aux deux conditions suivantes :

- (1) l'appareil ne doit pas produire de brouillage, et
- (2) l'utilisateur de l'appareil doit accepter tout brouillage radioélectrique subi, même si le brouillage est susceptible d'en compromettre le fonctionnement.

This device complies with RSS-210 of Industry Canada. This Class B device meets all the requirements of the Canadian interference-causing equipment regulations.

Cet appareil numérique de la Classe B respecte toutes les exigences du Règlement sur le matériel brouilleur du Canada.

The device for operation in the band 5150-5250 MHz is only for indoor use to reduce the potential for harmful interference to co-channel mobile satellite system.

Les dispositifs fonctionnant dans la bande 5.15-5.25GHz sont réservés uniquement pour une utilisation à l'intérieur afin de réduire les risques de brouillage préjudiciable aux systèmes de satellites mobiles utilisant les mêmes canaux.

The maximum antenna gain 2.52 dBi permitted for devices in the band 5725-5825 MHz shall comply with the e.i.r.p. limits specified for point-to-point operation as appropriate.

Le gain d'antenne maximal autorisé pour le dispositif est 2,52 dBi, pour se conformer à la limite de p.i.r.e. en et 5725-5825 MHz spécifiée pour un fonctionnement point à point.

High-power radars are allocated as primary users (i.e. priority users) of the bands 5.65 to 5.85GHz and that these radars could cause interference and/or damage to LE-LAN devices.

Les utilisateurs devraient aussi être avisés que les utilisateurs de radars de haute puissance sont désignés utilisateurs principaux (c.-à-d., qu'ils ont la priorité) pour les bandes 5.65-5.85GHz et que ces radars pourraient causer du brouillage et/ou des dommages aux dispositifs LANEL.

Complies with the Canadian ICES-003 Class B specifications.

Cet appareil numérique de la classe B est conforme à la norme NMB-003 du Canada.

Certification Information for CE Statement

These devices complied with the essential requirements of Article 3 of the R&TTE 1999/5/EC Directive and Directive 2004/108/EC

CE0197 

Troubleshooting

Specifications

Marketing model	Dell Cast Adapter
Regulatory model	BEL01
Regulatory type	BEL01001
Temperature range	0 °C - 40 °C (30 °F -104 °F)
Dimensions:	
Height	73 mm
Width	28 mm
Depth	10 mm