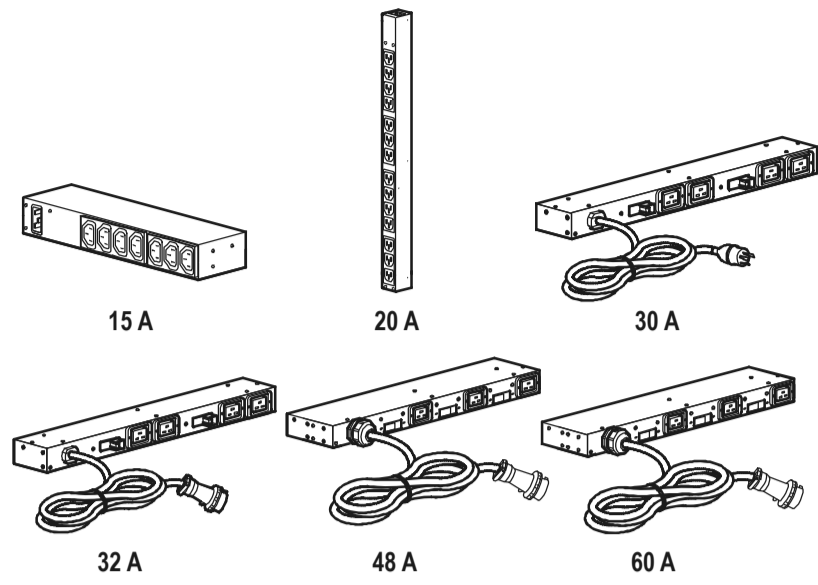




Basic Rack Power Distribution Unit (PDU) Installation



Preliminary Information

Features

This sheet provides information on installing Dell Rack PDUs.

Receiving Inspection

Inspect the package and contents for shipping damage, and make sure that all parts were sent. Report any damage immediately to the shipping agent, and report missing contents, damage, or other problems immediately to Dell or your Dell reseller.

Please recycle



The shipping materials are recyclable. Please save them for later use, or dispose of them appropriately.

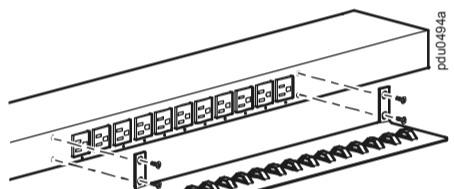
Install the Rack PDU

Attach the cord retention trays (optional for vertical Rack PDUs only)



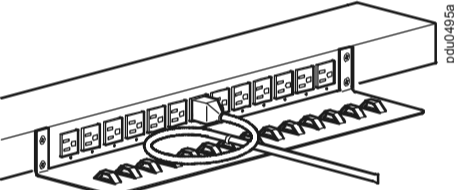
Caution: Use only the supplied screws.

Attach the cord retention trays to the Rack PDU, using four flat-head screws (provided) per tray.



Attach cords to the tray (optional for vertical Rack PDUs only)

To attach a cord to the tray, loop the cord and then secure it to the tray with a wire tie (provided).



Note: Each cord must be secured to the tray so that you can unplug it from the Rack PDU without removing the wire tie.



Note: When installing the Rack PDU, ensure that the power cord plug is accessible, and that the Rack PDU is connected to a grounded outlet.

Mounting options

You can install the Rack PDU in one of two ways: using toolless mounting pegs (provided) or mounting brackets (provided).

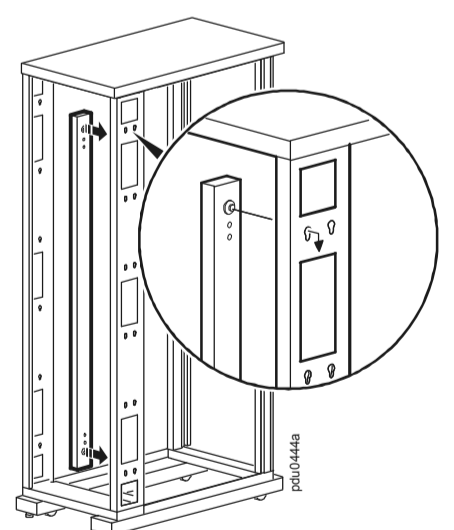
Vertical mounting.

- To install the Rack PDU using the toolless mounting method, install it in the rear of an enclosure, in the cable channel directly behind the rear vertical mounting rails.
- To install the Rack PDU using the mounting brackets, install it on a vertical mounting rail on your rack or enclosure.

Horizontal mounting. To install the Rack PDU using the horizontal mounting brackets, install the brackets on the Rack PDU and then attach the Rack PDU to the rack using cage nuts (provided with your enclosure).

Toolless mounting (Vertical Rack PDUs only).

- Slide both mounting pegs into the holes located in the channel in the rear panel of the enclosure.
- Snap the Rack PDU into place by pushing it downward until it locks into position.



Note: You can mount two Rack PDUs on one side of the enclosure by using the toolless mounting method or mount one Rack PDU on each side of the enclosure using the 90 degree mounting option with the deep toolless mounting pegs (provided).

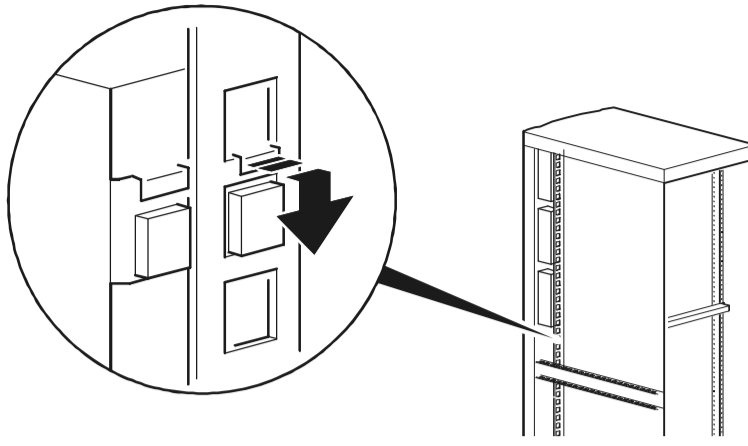
Bracket mounting

Vertical mounting. To mount the Rack PDU vertically in any standard EIA-310 rack or enclosure:

- Identify the location for the Rack PDU in either the vertical or horizontal rail position that is closest to the systems to which it will supply power.
- Position the Rack PDU so that the mounting hooks enter the square holes on the vertical rail.
- Push down the Rack PDU until the mounting hooks seat in the square holes and the release button pops out and clicks.



Note: Ensure that all power cords that you intend to connect to the Rack PDU can reach the position you have selected.



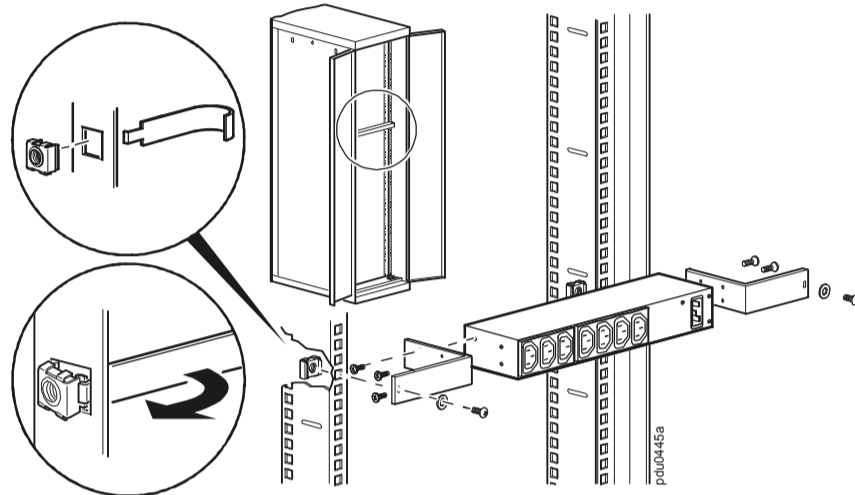
Horizontal mounting. You can mount the Rack PDU in a EIA-310-D standard 19-inch rack:

- Choose a mounting position for the Rack PDU with either the front or rear facing out of the enclosure.
- Attach the mounting brackets to the Rack PDU, using the flat-head screws (provided).
- Choose a location for the unit:



Note: The unit occupies one U-space. A number on the enclosure's vertical rail indicates the middle of a U-space.

- Insert cage nuts (provided with the enclosure) above and below the middle hole on each vertical mounting rail in your chosen location.
- Align the mounting holes of the brackets with the installed cage nuts. Insert and tighten screws.



Limited Hardware Warranties and Return Policy

DELL'S LIMITED HARDWARE WARRANTY PROVIDES IMPORTANT INFORMATION REGARDING DISCLAIMERS AND LIMITATIONS OF LIABILITY BY DELL, WHICH CAN MATERIALLY IMPACT YOUR RIGHTS. YOUR USE OF THE PRODUCT IS DEEMED TO BE YOUR ACCEPTANCE OF THE TERMS AND CONDITIONS SET FORTH IN DELL'S LIMITED HARDWARE WARRANTY AND RETURN POLICY. TO DETERMINE WHICH WARRANTY CAME WITH YOUR HARDWARE PRODUCTS, SEE YOUR PACKAGING SLIP OR CONSULT YOUR PURCHASE AGREEMENT.

You can view and print Dell's Limited Hardware Warranty and Return Policy:

U.S. Customers

Limited Hardware Warranty: www.dell.com/warranty

Return Policy: www.dell.com/returnpolicy

Canadian Customers

Limited Warranty: http://support.dell.com/support/topics/topic.aspx/ca/shared/support/en/warranty_information?~ck=ln&c=ca&l=en&lnk=0&s=gen

Total Satisfaction Return Policy: <http://www1.ca.dell.com/content/topics/reftopic.aspx/gen/en/policy?c=ca&l=en&s=gen&~section=018>

If you do not have access to the Website, you can call to request a hard copy of the Limited Hardware Warranty and Return Policy as follows.

U.S. Customers: 1-800-8228965

Canadian customers: 1-800-387-5757



Einleitende Informationen

Funktionen

In dieser Broschüre finden Sie Informationen zur Installation von Dell Rack-PDU (Einfache Verteilerleiste).

Überprüfung beim Empfang

Überprüfen Sie die Verpackung und den Inhalt auf Transportschäden und vergewissern Sie sich, dass alle Teile geliefert wurden. Teilen Sie Schäden unverzüglich dem Transportunternehmen mit und wenden Sie sich bei fehlenden Teilen, Schäden und anderen Beanstandungen unverzüglich an Dell oder an Ihren Dell-Händler.

Recycling



Die Verpackung besteht aus wiederverwertbarem Material. Bitte bewahren Sie sie für die spätere Verwendung auf oder entsorgen Sie sie ordnungsgemäß.

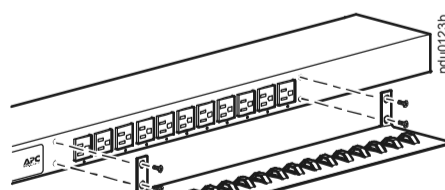
Montage der Rack-PDU

Befestigen der Kabelhalterungseinsätze (diese Option gilt nur für Rackmount-PDUs)



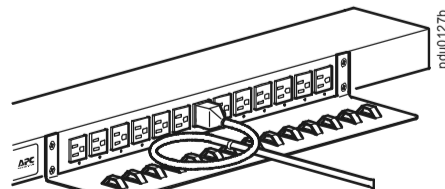
Vorsicht: Verwenden Sie ausschließlich die mitgelieferten Schrauben.

Befestigen Sie die Kabelhalterungseinsätze mit jeweils vier Flachkopfschrauben (beiliegend) pro Einsatz am der Rack-PDU.



Befestigen der Kabel am Einsatz (diese Option gilt nur für Rackmount-PDUs)

Legen Sie das Kabel in eine Schlinge und befestigen Sie es mit einem Kabelbinder (beiliegend) am Einsatz.



Hinweis: Jedes Kabel muss so am Einsatz befestigt werden, dass es von der Rack-PDU abgezogen werden kann, ohne dass der Kabelbinder entfernt werden muss.



Hinweis: Bei der Installation der Rack-PDU sicherstellen, dass der Netzstecker zugänglich ist und die Verteilerleiste nur an eine geerdete Stromquelle angeschlossen wird.

Montage-Optionen

Sie können die Rack-PDU auf zwei Arten montieren: mit Montagestiften (kein Werkzeug erforderlich, beiliegend) oder mit Montagewinkeln (beiliegend).

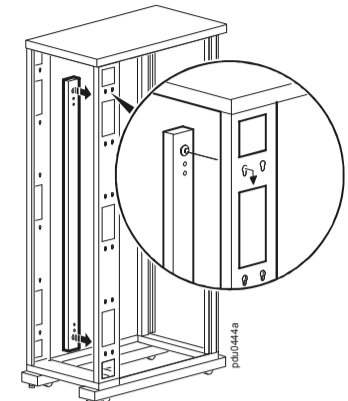
Vertikale Montage.

- Die Rack-PDU zur Installation ohne Werkzeug an der Rückseite eines Gehäuses im Kabelkanal direkt hinter den vertikalen Befestigungsschienen anbringen.
- Wenn Sie die Rack-PDU mit den Montagewinkeln montieren möchten, setzen Sie diese in eine vertikale Montageschiene am Rack oder Gehäuse ein.

Horizontale Montage. Bringen Sie zur Installation der Rack-PDU Verteilerleiste mit den horizontalen Montagewinkeln die Winkel an der Rack-PDU Verteilerleiste an und montieren Sie diese dann mit Käfigmuttern (im Lieferumfang des Gehäuses enthalten) am Rack.

Montage ohne Werkzeug (gilt nur für vertikal einbaubare Rackmount-PDUs)

- Führen Sie die beiden Montagestifte in die entsprechenden Bohrungen im Kanal an der Rückseite des Gehäuses ein.
- Drücken Sie die Rack-PDU Verteilerleiste nach unten, bis sie in ihrer Position einrastet.



Hinweis: Bei werkzeuggester Montage können Sie zwei Rack-PDUs auf einer Gehäusesseite befestigen; oder Sie können unter Verwendung der 90°-Montageoption mit den mitgelieferten Montagestiften für werkzeuggester Einbau auf beiden Gehäusesseiten je eine Rack-PDU befestigen.



Printed in India

[www.dell.com | support.dell.com](http://www.dell.com/support.dell.com)

06/2009 Part Number 990-3550A

Model G761N, G791N, G792N, G793N, G794N, G795N, G796N, G797N, G798N, G799N, K562N, K579N, K588N, K592N, K593N, K594N, K595N, K596N, K597N, K598N, K599N, K602N, K603N, K604N, K605N, K606N, K607N, K608N, K609N, K612N, K613N, K614N, K615N, K616N, K617N, K618N, K619N, K622N, K623N, K624N, K625N, K626N, K627N, K628N, K629N, K632N, K633N, K634N, K635N, K636N, K637N, K638N, K639N, K642N, K643N, K644N, K645N, K646N, K647N, K648N, K649N, K652N, K653N, K654N, K655N, K656N, K657N, K658N, K659N, K662N, K663N, K664N, K665N, K666N, K667N, K668N, K669N, K672N, K673N, K674N, K675N, K676N, K677N, K678N, K679N, K682N, K683N, K684N, K685N, K686N, K687N, K688N, K689N, K692N, K693N, K694N, K695N, K696N, K697N, K698N, K699N, K702N, K703N, K704N, K705N, K706N, K707N, K708N, K709N, K712N, K713N, K714N, K715N, K716N, K717N, K718N, K719N, K722N, K723N, K724N, K725N, K726N, K727N, K728N, K729N, K732N, K733N, K734N, K735N, K736N, K737N, K738N, K739N, K742N, K743N, K744N, K745N, K746N, K747N, K748N, K749N, K752N, K753N, K754N, K755N, K756N, K757N, K758N, K759N, K762N, K763N, K764N, K765N, K766N, K767N, K768N, K769N, K772N, K773N, K774N, K775N, K776N, K777N, K778N, K779N, K782N, K783N, K784N, K785N, K786N, K787N, K788N, K789N, K792N, K793N, K794N, K795N, K796N, K797N, K798N, K799N, K802N, K803N, K804N, K805N, K806N, K807N, K808N, K809N, K812N, K813N, K814N, K815N, K816N, K817N, K818N, K819N, K822N, K823N, K824N, K825N, K826N, K827N, K828N, K829N, K832N, K833N, K834N, K835N, K836N, K837N, K838N, K839N, K842N, K843N, K844N, K845N, K846N, K847N, K848N, K849N, K852N, K853N, K854N, K855N, K856N, K857N, K858N, K859N, K862N, K863N, K864N, K865N, K866N, K867N, K868N, K869N, K872N, K873N, K874N, K875N, K876N, K877N, K878N, K879N, K882N, K883N, K884N, K885N, K886N, K887N, K888N, K889N, K892N, K893N, K894N, K895N, K896N, K897N, K898N, K899N, K902N, K903N, K904N, K905N, K906N, K907N, K908N, K909N, K912N, K913N, K914N, K915N, K916N, K917N, K918N, K919N, K922N, K923N, K924N, K925N, K926N, K927N, K928N, K929N, K932N, K933N, K934N, K935N, K936N, K937N, K938N, K939N, K942N, K943N, K944N, K945N, K946N, K947N, K948N, K949N, K952N, K953N, K954N, K955N, K956N, K957N, K958N, K959N, K962N, K963N, K964N, K965N, K966N, K967N, K968N, K969N, K972N, K973N, K974N, K975N, K976N, K977N, K978N, K979N, K982N, K983N, K984N, K985N, K986N, K987N, K988N, K989N, K992N, K993N, K994N, K995N, K996N, K997N, K998N, K999N, K1002N, K1003N, K1004N, K1005N, K1006N, K1007N, K1008N, K1009N, K1012N, K1013N, K1014N, K1015N, K1016N, K1017N, K1018N, K1019N, K1022N, K1023N, K1024N, K1025N, K1026N, K1027N, K1028N, K1029N, K1032N, K1033N, K1034N, K1035N, K1036N, K1037N, K1038N, K1039N, K1042N, K1043N, K1044N, K1045N, K1046N, K1047N, K1048N, K1049N, K1052N, K1053N, K1054N, K1055N, K1056N, K1057N, K1058N, K1059N, K1062N, K1063N, K1064N, K1065N, K1066N, K1067N, K1068N, K1069N, K1072N, K1073N, K1074N, K1075N, K1076N, K1077N, K1078N, K1079N, K1082N, K1083N, K1084N, K1085N, K1086N, K1087N, K1088N, K1089N, K1092N, K1093N, K1094N, K1095N, K1096N, K1097N, K1098N, K1099N, K1102N, K1103N, K1104N, K1105N, K1106N, K1107N, K1108N, K1109N, K1112N, K1113N, K1114N, K1115N, K1116N, K1117N, K1118N, K1119N, K1122N, K1123N, K1124N, K1125N, K1126N, K1127N, K1128N, K1129N, K1132N, K1133N, K1134N, K1135N, K1136N, K1137N, K1138N, K1139N, K1142N, K1143N, K1144N, K1145N, K1146N, K1147N, K1148N, K1149N, K1152N, K1153N, K1154N, K1155N, K1156N, K1157N, K1158N, K1159N, K1162N, K1163N, K1164N, K1165N, K1166N, K1167N, K1168N, K1169N, K1172N, K1173N, K1174N, K1175N, K1176N, K1177N, K1178N, K1179N, K1182N, K1183N, K1184N, K1185N, K1186N, K1187N, K1188N, K1189N, K1192N, K1193N, K1194N, K1195N, K1196N, K1197N, K1198N, K1199N, K1202N, K1203N, K1204N, K1205N, K1206N, K1207N, K1208N, K1209N, K1212N, K1213N, K1214N, K1215N, K1216N, K1217N, K1218N, K1219N, K1222N, K1223N, K1224N, K1225N, K1226N, K1227N, K1228N, K1229N, K1232N, K1233N, K1234N, K1235N, K1236N, K1237N, K1238N, K1239N, K1242N, K1243N, K1244N, K1245N, K1246N, K1247N, K1248N, K1249N, K1252N, K1253N, K1254N, K1255N, K1256N, K1257N, K1258N, K1259N, K1262N, K1263N, K1264N, K1265N, K1266N, K1267N, K1268N, K1269N, K1272N, K1273N, K1274N, K1275N, K1276N, K1277N, K1278N, K1279N, K1282N, K1283N, K1284N, K1285N, K1286N, K1287N, K1288N, K1289N, K1292N, K1293N, K1294N, K1295N, K1296N, K1297N, K1298N, K1299N, K1302N, K1303N, K1304N, K1305N, K1306N, K1307N, K1308N, K1309N, K1312N, K1313N, K1314N, K1315N, K1316N, K1317N, K1318N, K1319N, K1322N, K1323N, K1324N, K1325N, K1326N, K1327N, K1328N, K1329N, K1332N, K1333N, K1334N, K1335N, K1336N, K1337N, K1338N, K1339N, K1342N, K1343N, K1344N, K1345N, K1346N, K1347N, K1348N, K1349N, K1352N, K1353N, K1354N, K1355N, K1356N, K1357N, K1358N, K1359N, K1362N, K1363N, K1364N, K1365N, K1366N, K1367N, K1368N, K1369N, K1372N, K1373N, K1374N, K1375N, K1376N, K1377N, K1378N, K1379N, K1382N, K1383N, K1384N, K1385N, K1386N, K1387N, K1388N, K1389N, K1392N, K1393N, K1394N, K1395N, K1396N, K1397N, K1398N, K1399N, K1402N, K1403N, K1404N, K1405N, K1406N, K1407N, K1408N, K1409N, K1412N, K1413N, K1414N, K1415N, K1416N, K1417N, K1418N, K1419N, K1422N, K1423N, K1424N, K1425N, K1426N, K1427N, K1428N, K1429N, K1432N, K1433N, K1434N, K1435N, K1436N, K1437N, K1438N, K1439N, K1442N, K1443N, K1444N, K1445N, K1446N, K1447N, K1448N, K1449N, K1452N, K1453N, K1454N, K1455N, K1456N, K1457N, K1458N, K1459N, K1462N, K1463N, K1464N, K1465N, K1466N, K1467N, K1468N, K1469N, K1472N, K1473N, K1474N, K1475N, K1476N, K1477N, K1478N, K1479N, K1482N, K1483N, K1484N, K1485N, K1486N, K1487N, K1488N, K1489N, K1492N, K1493N, K1494N, K1495N, K1496N, K1497N, K1498N, K1499N, K1502N, K1503N, K1504N, K1505N, K1506N, K1507N, K1508N, K1509N, K1512N, K1513N, K1514N, K1515N, K1516N, K1517N, K1518N, K1519N, K1522N, K1523N, K1524N, K1525N, K1526N, K1527N, K1528N, K1529N, K1532N, K1533N, K1534N, K1535N, K1536N, K1537N, K1538N, K1539N, K1542N, K1543N, K1544N, K1545N, K1546N, K1547N, K1548N, K1549N, K1552N, K1553N, K1554N, K1555N, K1556N, K1557N, K1558N, K1559N, K1562N, K1563N, K1564N, K1565N, K1566N, K1567N, K1568N, K1569N, K1572N, K1573N, K1574N, K1575N, K1576N, K1577N, K1578N, K1579N, K1582N, K1583N, K1584N, K1585N, K1586N, K1587N, K1588N, K1589N, K1592N, K1593N, K1594N, K1595N, K1596N, K1597N, K1598N, K1599N, K1602N, K1603N, K1604N, K1605N, K1606N, K1607N, K1608N, K1609N, K1612N, K1613N, K1614N, K1615N, K1616N, K1617N, K1618N, K1619N, K1622N, K1623N, K1624N, K1625N, K1626N, K1627N, K1628N, K1629N, K1632N, K1633N, K1634N, K1635N, K1636N, K1637N, K1638N, K1639N, K1642N, K1643N, K1644N, K1645N, K1646N, K1647N, K1648N, K1649N, K1652N, K1653N, K1654N, K1655N, K1656N, K1657N, K1658N, K1659N, K1662N, K1663N, K1664N, K1665N, K1666N, K1667N, K1668N, K1669N, K1672N, K1673N, K1674N, K1675N, K1676N, K1677N, K1678N, K1679N, K1682N, K1683N, K1684N, K1685N, K1686N, K1687N, K1688N, K1689N, K1692N, K1693N, K1694N, K1695N, K1696N, K1697N, K1698N, K1699N, K1702N, K1703N, K1704N, K1705N, K1706N, K1707N, K1708N, K1709N, K1712N, K1713N, K1714N, K1715N, K1716N, K1717N, K1718N, K1719N, K1722N, K1723N, K1724N, K1725N, K1726N, K1727N, K1728N, K1729N, K1732N, K1733N, K1734N, K1735N, K1736N, K1737N, K1738N, K1739N, K1742N, K1743N, K1744N, K1745N, K1746N, K1747N, K1748N, K1749N, K1752N, K1753N, K1754N, K1755N, K1756N, K1757N, K1758N, K1759N, K1762N, K1763N, K1764N, K1765N, K1766N, K1767N, K1768N, K1769N, K1772N, K1773N, K1774N, K1775N, K1776N, K1777N, K1778N, K1779N, K1782N, K1783N, K1784N, K1785N, K1786N, K1787N, K1788N, K1789N, K1792N, K1793N, K1794N, K1795N, K1796N, K1797N, K1798N, K1799N, K1802N, K1803N, K1804N, K1805N, K1806N, K1807N, K1808N, K1809N, K1812N, K1813N, K1814N, K1815N, K1816N, K1817N, K1818N, K1819N, K1822N, K1823N, K1824N, K1825N, K1826N, K1827N, K1828N, K1829N, K1832N, K1833N, K1834N, K1835N, K1836N, K1837N, K1838N, K1839N, K1842N, K1843N, K1844N, K1845N, K1846N, K1847N, K1848N, K1849N, K1852N, K1853N, K1854N, K1855N, K1856N, K1857N, K1858N, K1859N, K1862N, K1863N, K1864N, K1865N, K1866N, K1867N, K1868N, K1869N, K1872N, K1873N, K1874N, K1875N, K1876N

Richtlinien für die Rücksendung: www.dell.com/returnpolicy

Kanadische Kunden

Eingeschränkte Garantie: http://support.dell.com/support/topics/topic.aspx/ca/shared/support/en/warranty_information?~ck=ln&c=ca&l=en&lnki=0&s=gen

Richtlinien für die Rücksendung für vollständige Kundenzufriedenheit: <http://www1.ca.dell.com/content/topics/reftopic.aspx/gen/en/policy?c=ca&l=en&s=gen&-section=018>

Wenn Sie keinen Zugriff auf die Website haben, können Sie uns anrufen, um einen Papierausdruck der eingeschränkten Hardware-Garantie und den Richtlinien für die Rücksendung anzufordern.

U.S.-Kunden: 1-800-8228965

Kanadische Kunden: 1-800-387-5757



Información preliminar

Características

En este manual se proporciona información sobre la instalación del Dell PDU montada en armario.

Inspección de recepción

Inspeccione el paquete y su contenido por si se hubiese dañado algún elemento en el envío y para asegurarse de que se han enviado todas las piezas. Notifique inmediatamente a su agencia de transportes cualquier daño que se haya producido, y póngase en contacto con Dell o con su distribuidor de Dell si hay elementos que faltan o que están dañados, o si se ha producido cualquier otro problema.

Reciclaje



Los materiales de embalaje son reciclables. Guárdelos para volver a utilizarlos o deséchelos en el lugar adecuado.

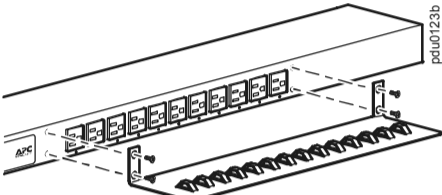
Instalación de la PDU en armario

Fijación de las bandejas de retención de cables (esto es opcional sólo para las PDU montadas en armario verticales)



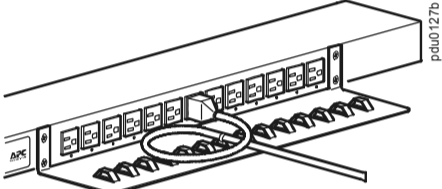
Precaución: Use únicamente los tornillos suministrados.

Fije las bandejas de retención de cables para la PDU montada en estante, utilizando cuatro tornillos de cabeza plana (incluidos) por bandeja.



Fijación de los cables a la bandeja (esto es opcional sólo para las PDU montadas en armario verticales)

Fije un cable a la bandeja haciendo un bucle en el cable y sujetándolo a la bandeja mediante una abrazadera (incluida).



Nota: Cada cable debe fijarse a la bandeja para que pueda desenchufarla de la unidad de alimentación montada en estante PDU sin necesidad de retirar la abrazadera.



Nota: Cuando instale la PDU, compruebe que el enchufe del cable de alimentación es accesible y que la PDU se ha conectado a una toma puesta a tierra.

Opciones de montaje

Puede instalar la unidad de alimentación montada en estante PDU de una de estas dos formas: utilizando clavijas de montaje (incluidas) sin herramientas o soportes de montaje (incluidos).

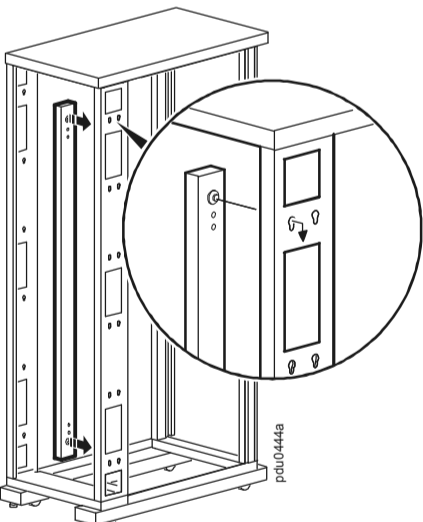
Montaje vertical.

- Para instalar la PDU montada en estante mediante el método de montaje sin herramientas, proceda a colocarla en la parte posterior de la caja, en el canal de cables situado directamente detrás de los rieles de montaje verticales traseros.
- Para instalar la unidad de alimentación montada en estante PDU usando los soportes de montaje, instálela en un riel de montaje vertical en el estante o armario.

Montaje horizontal. Para instalar la PDU montada en estante con los soportes de montaje horizontal, colóquelos en la PDU y fíjelos con las tuercas encajadas (suministradas con el armario).

Montaje sin herramientas (sólo para las PDU montadas en armario verticales).

- Introduzca las clavijas de montaje en los orificios ubicados en el canal del panel trasero de la caja.
- Encaje la PDU montada en armario, empujándola hacia abajo hasta que quede fija en su posición.



Nota: Puede instalar dos PDU en un lado del armario mediante el método de montaje sin herramientas o instalar una PDU en cada lado del armario utilizando la opción de montaje en ángulo de 90 grados con las clavijas de montaje sin herramientas profundas (incluidas).

Instalación de los soportes

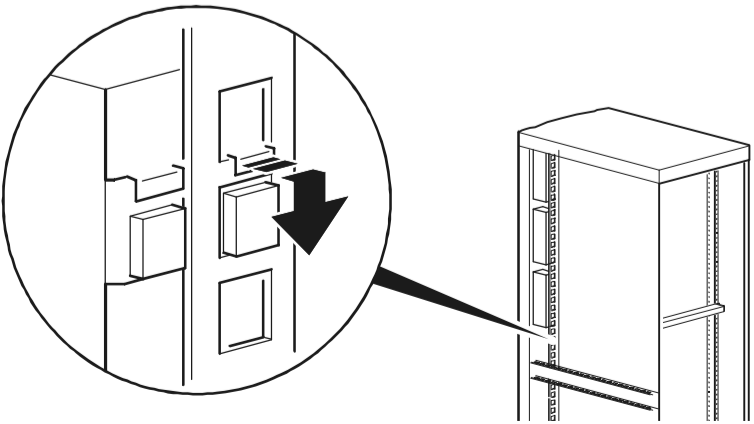
Montaje vertical. Para instalar la PDU montada en armario (Rack PDU) verticalmente en cualquier armario estándar EIA-310:

- Identifique la ubicación de la PDU en la posición del rail vertical u horizontal que esté más próxima a los sistemas a los que proporcionará alimentación.



Nota: compruebe que todos los cables de alimentación que vaya a conectar a la PDU alcancen la posición seleccionada.

- Coloque la PDU montada en armario de modo que los ganchos de montaje se introduzcan en los orificios cuadrados del rail vertical.
- Presione la PDU hasta que los ganchos de montaje se asienten en los orificios cuadrados y el botón de liberación sobresalga y se oiga un chasquido.



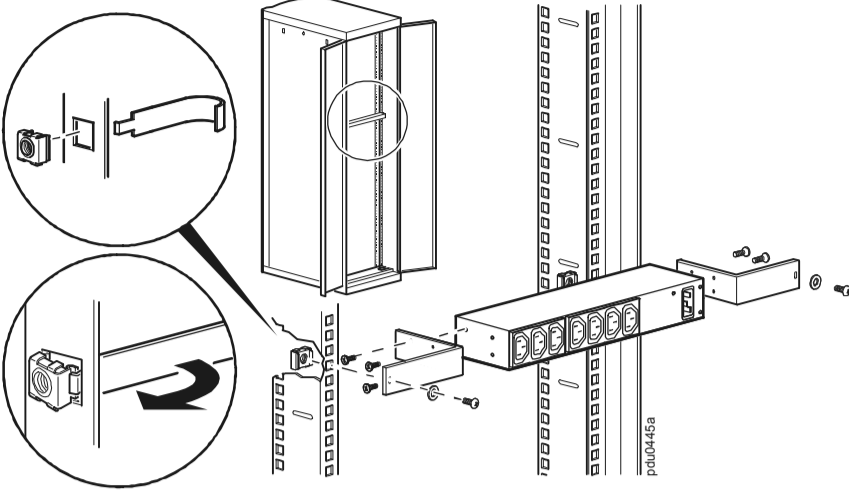
Montaje horizontal. Puede instalar la PDU montada en armario en un armario estándar EIA-310-D de 19 pulgadas:

- Elija una posición de montaje para la PDU con su parte trasera o delantera orientada hacia el exterior del armario.
- Fije los soportes de montaje a la PDU con los tornillos de cabeza plana (suministrados).
- Seleccione una ubicación para la unidad:



Nota: la unidad ocupa un espacio U. Un número en el rail vertical del armario indica el centro de un espacio en U.

- Introduzca tuercas encajadas (suministradas con el armario) por encima y por debajo del orificio del medio en cada rail de montaje vertical en la ubicación que haya elegido.
- Alinee los orificios de montaje de los soportes con las tuercas de jaula instaladas. Introduzca los tornillos y apriételes.



Política de devoluciones y garantías limitadas del hardware

LA GARANTÍA LIMITADA DEL HARDWARE DE DELL PROPORCIONA INFORMACIÓN IMPORTANTE ACERCA DE EXENCIONES DE RESPONSABILIDAD Y LIMITACIONES DE RESPONSABILIDAD DE DELL, LO CUAL PUEDE INFLUENCIAR DE FORMA MATERIAL SUS DERECHOS. SE CONSIDERA SU USO DEL PRODUCTO COMO ACEPTACIÓN DE LOS TÉRMINOS Y CONDICIONES ESTABLECIDOS POR LA POLÍTICA DE DEVOLUCIONES Y GARANTÍAS LIMITADAS DEL HARDWARE DE DELL. PARA DETERMINAR QUÉ GARANTÍA VIÑO CON SUS PRODUCTOS DE HARDWARE, VEA EL RECIBO DE EMBALAJE O CONSULTE SU CONTRATO DE COMPRA.

Puede ver e imprimir la Política de devoluciones y garantías limitadas del hardware de Dell dirigiéndose a:

Clientes de Estados Unidos

Garantía limitada del hardware: www.dell.com/warranty

Política de devoluciones: www.dell.com/returnpolicy

Clientes de Canadá

Garantía limitada: http://support.dell.com/support/topics/topic.aspx/ca/shared/support/en/warranty_information?~ck=ln&c=ca&l=en&lnki=0&s=gen

Política de devoluciones de satisfacción total: <http://www1.ca.dell.com/content/topics/reftopic.aspx/gen/en/policy?c=ca&l=en&s=gen&-section=018>

Si no tiene acceso al sitio web, puede llamar para solicitar una copia impresa de la Política de devoluciones y la garantía limitada del hardware de la siguiente manera.

Clientes de Estados Unidos: 1-800-8228965

Clientes de Canadá: 1-800-387-5757



Informations préalables

Fonctions

Cette brochure fournit des informations sur l'installation et le fonctionnement de les Dell Rack PDUs.

Contrôle à la réception

Inspectez l'emballage et son contenu afin de détecter tout dommage survenu au cours du transport et assurez-vous que toutes les pièces ont bien été envoyées. Signalez immédiatement tout défaut à l'agent d'expédition et informez sans tarder Dell ou votre revendeur Dell de toute pièce manquante, endommagée ou de tout autre problème.

Recyclage



Les matériaux d'emballage utilisés sont recyclables. Veuillez les conserver en vue de leur réutilisation ou de leur mise au rebut dans les règles.

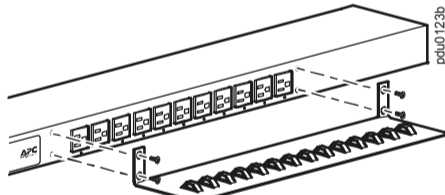
Installation de la PDU en rack

Fixation des plateaux de retenue de câbles (en option uniquement pour les PDU en rack verticales)



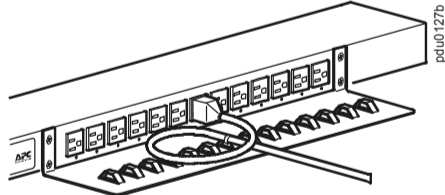
Attention : Utilisez exclusivement les vis fournies avec l'équipement.

Attachez les plateaux de fixation des câbles à la PDU montable en rack en utilisant quatre vis à tête plate (fournies) pour chaque plateau.



Fixation des câbles au plateau (en option uniquement pour les PDU en rack verticales)

Fixez les câbles en les enroulant autour du plateau et en les maintenant à l'aide d'un fil métallique d'attache (fourni).



Remarque : Chaque câble doit être fixé au plateau afin que vous puissiez le débrancher de la PDU en rack sans avoir besoin de retirer le fil métallique d'attache.



Remarque : Lors de l'installation, assurez-vous de rendre accessible la fiche du câble d'alimentation et de brancher le PDU à une prise de courant mise à la terre.

Options de montage

Il est possible d'installer la PDU en Rack de deux manières : à l'aide des chevilles de montage sans outils (fournies) ou des supports de montage (fournis).

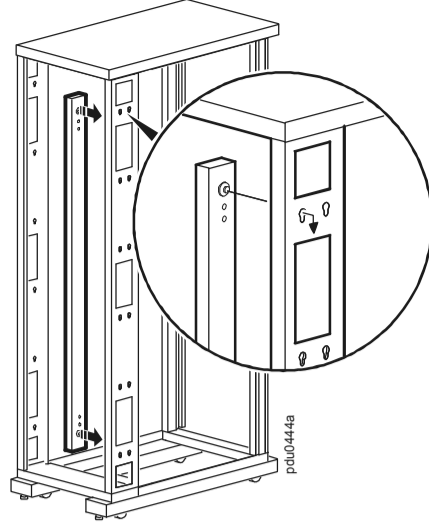
Montage vertical.

- Pour le montage sans outils, installez la PDU montable en rack à l'arrière de l'armoire, dans la rainure pour câbles située juste derrière les rails de montage verticaux arrière.
- Pour installer la PDU en Rack à l'aide des supports de montage, fixez-la sur un rail de montage vertical de votre armoire ou enceinte.

Montage horizontal. Pour installer la PDU à monter en rack à l'aide des supports de montage horizontal, installez ces derniers sur le PDU, puis fixez-le au rack à l'aide des écrous cage (fournis avec l'armoire).

Montage sans outils (uniquement pour les PDU en rack verticales).

- Insérez les deux chevilles de montage dans les orifices du chemin de câbles sur le panneau arrière de l'armoire.
- Poussez le PDU à monter en rack vers le bas jusqu'à ce qu'il se mette en place.



Remarque : il est possible de monter deux PDU en Rack sur un côté de l'armoire en utilisant la méthode de montage sans outils ou de monter une PDU en rack de chaque côté de l'armoire en utilisant l'option de montage à 90 degrés à l'aide des chevilles de montage longues (fournies).

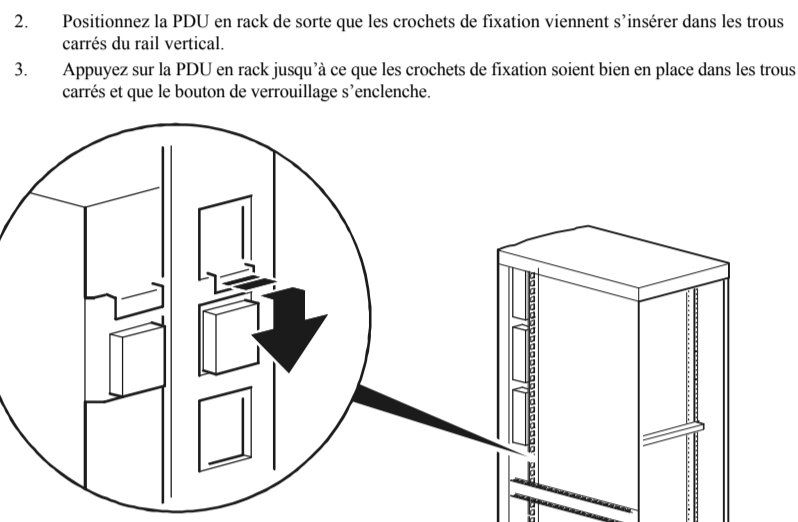
Montage avec supports

Montage vertical. Pour monter la PDU en rack verticalement dans une armoire ou un rack EIA-310 standard :

- Choisissez l'emplacement le plus approprié pour la PDU en rack, à savoir la position de rail horizontal ou vertical la plus proche du système que la PDU doit alimenter en courant.



Remarque : vérifiez que tous les cordons d'alimentation qui doivent être reliés à la PDU en rack sont suffisamment longs.



Montage horizontal. La PDU en rack peut être montée dans un rack EIA-310-D standard de 19 pouces.

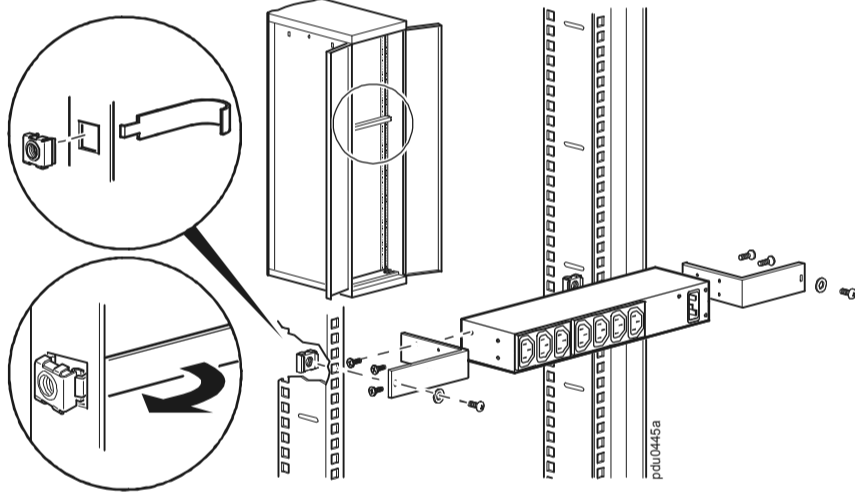
- Choisissez une position de montage pour la PDU en rack, avec l'avant ou l'arrière face à la porte de l'armoire.
- Fixez les supports de montage à la PDU en rack à l'aide des vis à tête plate (fournies).
- Choisissez un emplacement pour l'unité :



Remarque : l'unité occupe une unité de hauteur (U). Un nombre figurant sur le rail vertical de l'armoire indique le milieu de l'unité de hauteur.



- Insérez à l'emplacement choisi un écrou à cage (fourni avec l'armoire) au-dessus et en dessous du trou central sur chaque rail de montage vertical.
- Alinez les trous de montage des supports avec les écrous à cage. Insérez et serrez les vis.



Garanties matérielles limitées et règles de retour

LA GARANTIE MATERIELLE LIMITEE DELL FOURNIT DES INFORMATIONS IMPORTANTES CONCERNANT LES CLAUSES DE NON-RESPONSABILITE ET LES LIMITATIONS DE LA RESPONSABILITE DE DELL, QUI PEUVENT INFLUENCER DE MANIERE MATERIELLE VOS DROITS. EN UTILISANT LE PRODUIT, VOUS ACCEPTEZ LES TERMES ET CONDITIONS EXPRIMES DANS LES GARANTIES MATERIELLES LIMITEES ET REGLES DE RETOUR DELL. AFIN DE DETERMINER QUELLE GARANTIE S'APPLIQUE A VOS PRODUITS MATERIELS, CONSULTEZ VOTRE BON DE LIVRAISON OU VOTRE BON D'ACHAT.

Pour consulter et imprimer le document de garantie matérielle limitée et règles de retour Dell, rendez-vous sur :

Clientes des E.-U.

Garantie matérielle limitée : www.dell.com/warranty

Règles de retour : www.dell.com/returnpolicy

Clientes canadiens

Garantie limitée : http://support.dell.com/support/topics/topic.aspx/ca/shared/support/en/warranty_information?~ck=ln&c=ca&l=en&lnki=0&s=gen

Règle de retour « satisfaction totale » : <http://www1.ca.dell.com/content/topics/reftopic.aspx/gen/en/policy?c=ca&l=en&s=gen&-section=018>

Si vous ne pouvez pas accéder au site Web, veuillez demander une copie du document de garantie matérielle limitée et règles de retour en appelant le numéro suivant :

Clientes des E.-U. : 1-800-8228965

Clientes canadiens : 1-800-387-5757



기초 정보

기능

이 사이트는 Dell 랙 PDU 설치 정보를 제공합니다.

입고 검사

패키지와 내용을 검사하여 선적 시 파손된 것이 없고 모든 부품이 인도되었는지 확인합니다. 파손된 경우에는 즉시 운송 회사에 알리고 내용을 유실, 파손 또는 기타 문제가 있는 경우 즉시 Dell 또는 현지 Dell 판매점에 알려주세요.

재활용하십시오



운반용 포장재는 재활용할 수 있습니다. 보관해 두었다가 나중에 다시 사용하거나 적절한 방법으로 폐기하십시오.

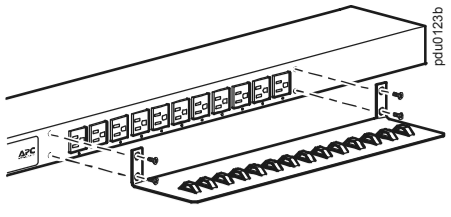
랙 PDU 설치

코드 유지 트레이(수직 랙 PDU만 옵션) 장착

주의: 제품과 함께 제공된 나사만 사용하십시오.

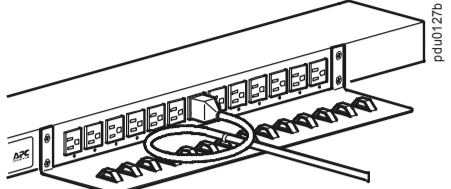


코드 유지 트레이를 트레이당 4개의 납치 머리 나사(제공됨)를 사용하여 랙 PDU에 장착합니다.



코드를 트레이(수직 랙 PDU만 옵션)에 장착

코드를 트레이에 장착하려면 코드를 고리를 만든 다음 와이어 타이(제공됨)를 사용하여 트레이에 고정합니다.



참고: 각각의 전원코드는 케이블 타이로 트레이에 고정하여, 주변의 전원 코드를 랙 PDU에서 제거할 때, 빠지거나 움직이지 않아야 한다.



참고: 랙 PDU 설치 시, 전원코드 플러그를 쉽게 연결할 수 있도록 하며, 각 PDU의 플러그는 반드시 접지된 콘센트에 연결한다.

장착 옵션

랙 PDU를 공구 없이 장착이 가능한 못(제공됨) 또는 장착용 브래킷(제공됨), 두 가지 중 한 가지 방법으로 설치합니다.

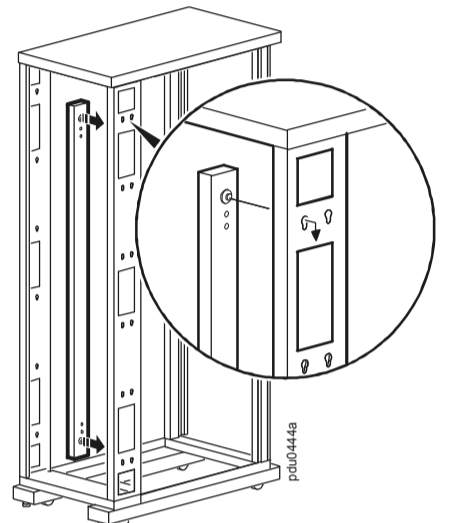
수직 장착.

- 랙 PDU를 공구 없이 장착하는 방식으로 설치하려면 엔클로저 뒤쪽, 후면 수직 장착 레일 바로 위의 케이블 채널에 설치합니다.
- 랙 PDU를 장착용 브래킷을 사용하여 설치하려면 락 또는 엔클로저의 수직 장착 레일에 설치합니다.

수평 장착. 랙 PDU를 수평 장착 브래킷을 사용하여 설치하려면 브래킷을 랙 PDU에 설치한 다음 케이블 나트(엔클로저에 제공됨)를 사용해 랙 PDU를 락에 장착합니다.

공구 없이 장착(수직 랙 PDU만 해당)

1. 엔클로저 후면 패널의 채널에 있는 구멍은 두 개의 장착용 못을 밀어 넣습니다.
2. 제자리에 끼워질 때까지 랙 PDU를 아래로 밀어서 고정시킵니다.



참고: 두 개의 랙 PDU를 공구 없이 장착하는 방식으로 엔클로저의 한 쪽 면에 장착하거나 같은 공구 없이 장착이 가능한 못(제공됨)과 함께 90도 장착 옵션으로 사용하여 엔클로저의 측면 각각에 한 개의 랙 PDU를 장착할 수 있습니다.

- 1.

브래킷 장착

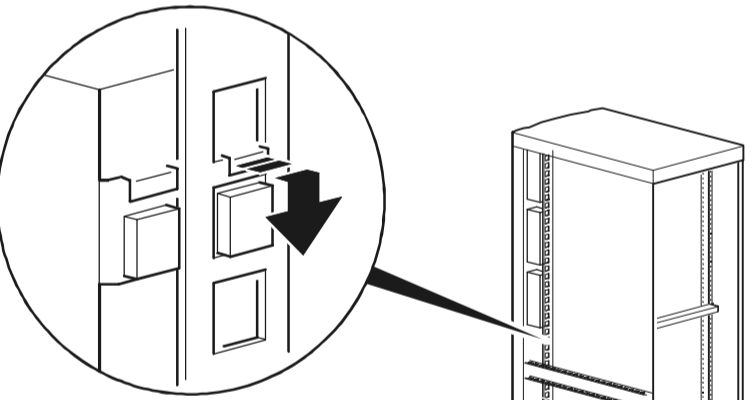
수직 장착. 랙 PDU를 표준 EIA 310 랙 또는 엔클로저에 수직으로 장착하려면

1. 시스템에 전원을 공급하는 데 가장 가까운 수직 또는 수평 레일 위치에 랙 PDU의 위치를 정합니다.



참고: 랙 PDU에 연결하려는 모든 전원 코드가 선택한 위치에 닿을 수 있도록 하십시오.

2. 장착 후크가 수직 레일의 사각 구멍에 들어가도록 랙 PDU를 놓습니다.
3. 장착 후크가 사각 구멍에 맞춰지고 릴리스 버튼이 튀어 나와 딸깍 소리가 날 때까지 랙 PDU를 누릅니다.



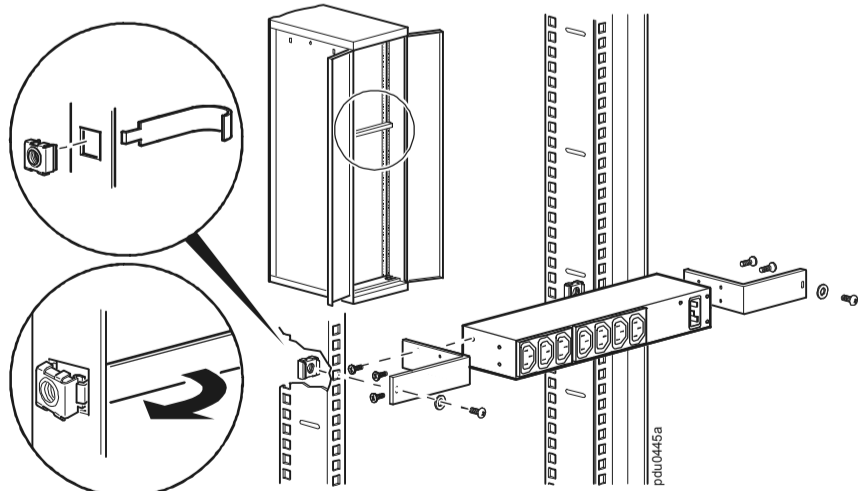
수평 장착. 랙 PDU를 EIA-310-D 표준 19인치 랙에 장착하려면

1. 엔클로저에서 보았을 때 앞쪽 또는 뒤쪽이 향하도록 랙 PDU의 장착 위치를 선택합니다.
2. 납치 머리 나사(제공됨)를 사용하여 장착 브래킷을 랙 PDU에 장착합니다.
3. 기기의 위치를 선택합니다.



참고: 이 기기는 1U 랙 공간을 차지합니다. 엔클로저의 수직 레일에 있는 번호는 1U가 차지하는 공간의 가운데를 나타냅니다.

- a. 케이블 나트(엔클로저에 제공됨)를 선택한 위치의 각 수직 장착 레일에 있는 가운데 구멍의 위와 아래에 삽입합니다.
- b. 브래킷의 장착 구멍을 설치된 케이블 나트에 맞춥니다. 나사를 삽입하고 조입니다.



하드웨어 제한 보증 및 반품 정책

DELL의 하드웨어 제한 보증은 귀하의 권리에 중대한 영향을 미칠 수 있는 DELL 책임 부인 및 제한에 관한 중요한 정보를 제공합니다. 귀하가 제품을 사용하는 것은 DELL 하드웨어 제한 보증 및 반품 정책에 규정된 약관에 동의하는 것으로 간주됩니다. 귀하의 하드웨어 제품에 해당하는 보증을 확인하려면 포장에 포함된 보증서 또는 구매 계약서를 보십시오.

DELL의 하드웨어 제한 보증 및 반품 정책을 확인 및 인쇄할 수 있습니다:

미국 고객

하드웨어 제한 보증: www.dell.com/warranty

반품 정책: www.dell.com/returnpolicy

캐나다 고객

제한 보증:

http://support.dell.com/support/topic.aspx/ca/shared/support/en/warranty_information?ck=ln&c=ca&l=en&lnk=0&s=gen

전체 만족 반품 정책: <http://www1.ca.dell.com/content/topics/reftopic.aspx/gen/en/policy?c=ca&l=en&s=gen§ion=018>

웹사이트에 액세스할 수 없는 경우 다음 전화 번호로 하드웨어 제한 보증 및 반품 정책의 하드 카피를 요청할 수 있습니다.

미국 고객: 1-800-8228965

캐나다 고객: 1-800-387-5757



Предварительная информация

Характеристики

В данной брошюре изложены сведения по установке устройства Dell, блока распределения электропитания (PDU) для монтажа в стойке.

Проверка при получении

Проверьте упаковку и ее содержимое на предмет отсутствия повреждений при транспортировке, а также комплектацию. О любом повреждении немедленно сообщите транспортному агенту. О недостатке содержимого, его повреждениях и прочих проблемах без промедления проинформируйте компанию Dell или дистрибьютора Dell.

Подлежит переработке



Материалы, использованные для упаковки и поставки, можно повторно использовать. Их следует сохранить для последующего использования или утилизировать надлежащим образом.

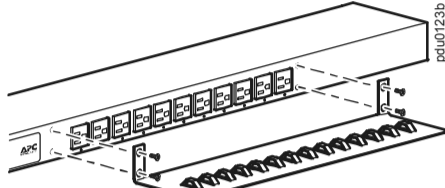
Установка Rack PDU

Установка полок для крепления шнуров (Это необязательно только для устройств Rack-Mount PDU вертикальной установки)



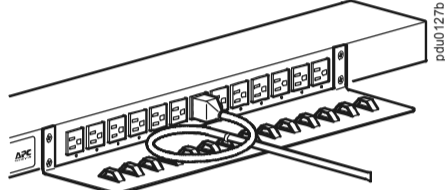
Осторожно! Используйте только винты, входящие в комплект поставки.

Прикрепите полки для крепления шнуров к Rack PDU, используя для каждой полки по четыре винта с потайной головкой (прилагаются).



Прикрепление шнуров к полке (Это необязательно только для устройств Rack-Mount PDU вертикальной установки)

Уложите шнур на полку, сделав на нем петлю, и закрепите помощью обвязки (прилагаются).



Примечание: Все шнуры следует прикреплять к полкам так, чтобы их можно было отсоединять от PDU, не снимая обвязку.



Примечание: Во время установки блока PDU убедитесь в том, что разъем шнура питания доступен, а блок PDU подключен к заземленной розетке.

Варианты установки

Возможны два варианта установки: используя монтажные штифты, не требующие применения инструментов (прилагаются), или монтажные кронштейны (входит в комплект поставки).

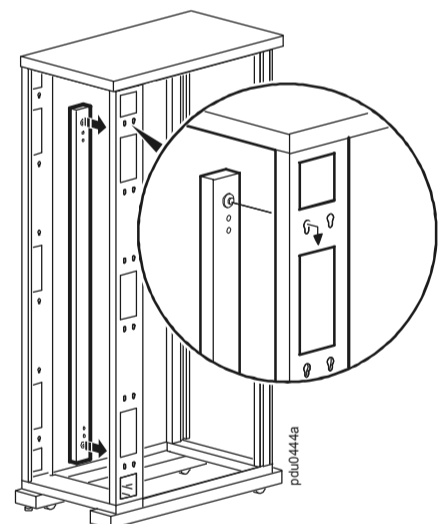
Вертикальная установка.

- Для установки Rack PDU, используя метод монтажа без применения инструментов, закрепите устройство на задней панели шкафа Enclosure в кабельном канале непосредственно за задними вертикальными опорными балками.
- Чтобы установить PDU, используя монтажные кронштейны, установите его на вертикальной опорной балке в стойке или монтажном шкафу.

Горизонтальная установка. Чтобы установить устройство распределения питания для монтажа в стойку на горизонтальные монтажные кронштейны, установите их на устройство и прикрепите блок PDU к стойке с помощью гаек (прилагаются к монтажному шкафу).

Монтаж без применения инструментов (только для устройств Rack-Mount PDU вертикальной установки).

1. Вставьте оба монтажных штифта в отверстия, расположенные в канале на задней панели монтажного шкафа.
2. Нажимая по направлению вниз, задвиньте устройство распределения питания для монтажа в стойку в необходимую позицию в стойке до закрепления с характерным щелчком.

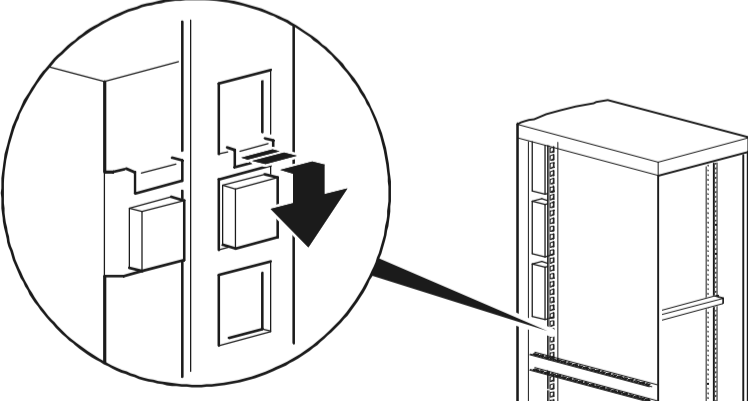


Примечание: На одной стороне монтажного шкафа можно закрепить два блока PDU, используя метод монтажа без применения инструментов или установить по одному блоку PDU на каждой стороне шкафа, используя метод монтажа под углом 90 градусов, с применением длинных монтажных штифтов (прилагаются).

Установка с применением кронштейнов

Вертикальная установка. Порядок установки устройства распределения электропитания в стойке (Rack PDU) вертикально в любую стойку или шкаф, соответствующие стандарту EIA-310.

1. Выберите место установки устройства Rack PDU на вертикальной или горизонтальной опорной балке как можно ближе к системам, на которые будет подаваться питание.
Примечание. Убедитесь в том, что длина всех кабелей питания, которые будут подключены к устройству Rack PDU, достаточна для подключения оборудования.
2. Вставьте крепежные скобы устройства Rack PDU в квадратные отверстия на вертикальной опорной балке.
3. Нажмите на устройство Rack PDU сверху до щелчка, чтобы крепежные скобы осели в квадратных отверстиях и освободилась кнопка фиксатора.



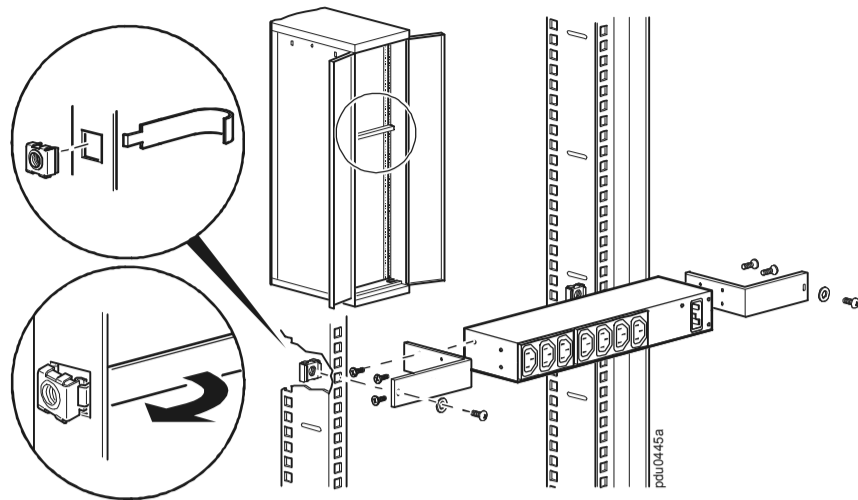
Горизонтальная установка. Устройство Rack PDU можно установить в 19-дюймовую стойку, соответствующую стандарту EIA-310-D:

1. Выберите положение установки устройства Rack PDU таким образом, чтобы из монтажного шкафа была видна передняя или задняя панель.
2. Прикрепите монтажные кронштейны к устройству Rack PDU с помощью винтов с плоской головкой (прилагаются).
3. Выберите место установки устройства:



Примечание. Устройство занимает один отсек. Номер на вертикальной опорной балке монтажного шкафа обозначает середину отсека.

- a. Установите гайки (прилагаются к монтажному шкафу) выше и ниже центрального отверстия на каждой вертикальной опорной балке в выбранном месте.
- b. Совместите монтажные отверстия кронштейнов с установленными гайками в обойме. Вставьте и затяните винты.



Ограниченная гарантия на оборудование и политика возврата

ОГРАНИЧЕННАЯ ГАРАНТИЯ НА ОБОРУДОВАНИЕ DELL ВКЛЮЧАЕТ В СЕБЯ ВАЖНУЮ ИНФОРМАЦИЮ ОБ ОТКАЗЕ ОТ ОБЯЗАТЕЛЬСТВ И ОГРАНИЧЕНИИ ОТВЕТСТВЕННОСТИ КОРПОРАЦИИ DELL. В СВЯЗИ С ЭТОМ ВАШИ ПРАВА МОГУТ БЫТЬ СУЩЕСТВЕННО ОГРАНИЧЕНЫ. ЕСЛИ ВЫ ИСПОЛЬЗУЕТЕ ДАННОЕ ИЗДЕЛИЕ, ЭТО ОЗНАЧАЕТ, ЧТО ВЫ СОГЛАСНЫ С УСЛОВИЯМИ, ИЗЛОЖЕННЫМИ В ОГРАНИЧЕННОЙ ГАРАНТИИ НА ОБОРУДОВАНИЕ И ПОЛИТИКЕ ВОЗВРАТА DELL. ЧТОБЫ УЗНАТЬ, КАКАЯ ГАРАНТИЯ РАСПРОСТРАНЯЕТСЯ НА ВАШЕ ОБОРУДОВАНИЕ, СМ. ВКЛАДЫШ В УПАКОВКЕ ИЗДЕЛИЯ ИЛИ ДОГОВОР НА ПОКУПКУ.

Текст ограниченной гарантии на оборудование и политики возврата Dell можно просмотреть и распечатать:

Для США

Ограниченная гарантия на оборудование: www.dell.com/warranty

Политика возврата: www.dell.com/returnpolicy

Для Канады

Ограниченная гарантия: http://support.dell.com/support/topics/topic.aspx/ca/shared/support/en/warranty_information?ck=ln&c=ca&l=en&lnk=0&s=gen

Политика возврата с полной компенсацией: <http://www1.ca.dell.com/content/topics/reftopic.aspx/gen/en/policy?c=ca&l=en&s=gen§ion=018>

При отсутствии доступа к веб-сайтам можно запросить печатную копию ограниченной гарантии на оборудование и политики возврата по телефону.

Для США: 1-800-8228965

Для Канады: 1-800-387-5757



はじめに

機能

このマニュアルは、Dell Rack-Mount PDUのインストールに関する情報を提供します。

受け取り時の確認

パッケージの内容物を点検し、すべてのパーツが揃っているかどうか、また製品が破損していないかどうかを確認してください。製品が破損している場合は、すぐに運送会社に連絡してください。また、内容物の不足、内容物の破損、その他何らかの問題がある場合は、すぐに Dell または販売店に連絡してください。

リサイクルのお願い



製品の梱包材は再利用することができます。保管して後ほど利用するか、または適切な手段で廃棄するようにお願いいたします。

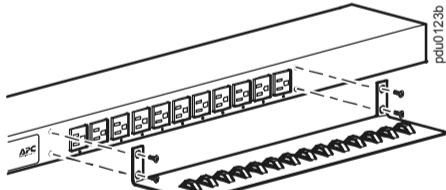
Rack-Mount PDU の取付

コード固定トレイの取り付け（これは、縦型 Rack-Mount PDU のみを対象とするオプションです）



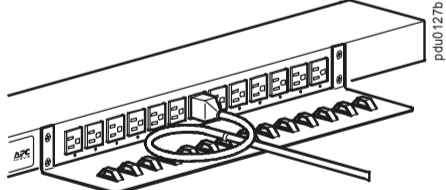
注意：付属のネジのみを使用してください。

1つのトレイに4本の丸皿ネジ（付属）を使用して、コード固定トレイを Rack-Mount PDU に取り付けます。



トレイへのコードの取り付け（これは、縦型 Rack-Mount PDU のみを対象とするオプションです）

トレイにコードを取り付けます。この場合、コードを巻いて、ワイヤタイ（付属）でコードをトレイに固定してください。



備考：ワイヤタイを外さなくても、Rack PDU からコードを抜けるように、それぞれのコードをトレイに固定して下さい。



注：Rack-Mount PDU を取り付けるときに、電源コードのプラグにアクセスができること、Rack-Mount PDU がアース付きのコンセントに接続されていることを確認してください。

取り付け方法の選択

Rack-Mount PDU は、次の2つの方法のいずれかを使用して設置できます: 1つは金具を使用しない固定ベグ（付属品）による方法で、もう1つは取り付けブラケット（付属品）を使用する方法です。

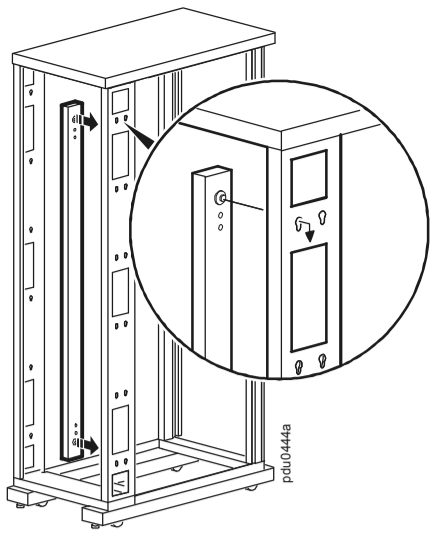
垂直取り付け.

- 金具を使わない方法で Rack-Mount PDU を取り付けるときは、後部の垂直マウントレールのすぐ後にあるケーブルチャンネルに取り付けます。
- 固定金具を使って Rack-Mount PDU を取り付けるときは、ラックまたはフレームの垂直マウントレール上に取り付けます。

金具を使わない取り付け（縦型 Rack-Mount PDU のみを対象）

1. 両方の固定ベグを、ラックのリアパネルのチャンネルにある穴に入れます。
2. 所定の位置にはまるまで Rack-Mount PDU を下に押し込みます。

備考：金具を使わない取り付け方法の場合、ラックの片側に2つの Rack-Mount PDU を取り付けられます。

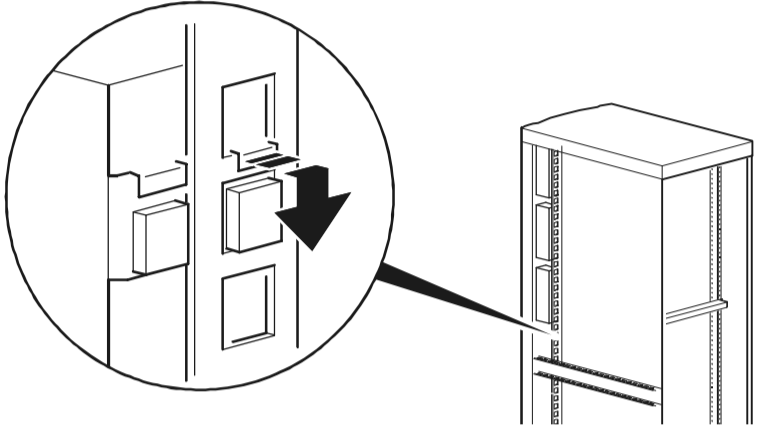


水平取り付け 水平固定金具を使って Rack-Mount PDU を取り付けるには、金具を Rack-Mount PDU に取り付け、その後ケーシング（フレームに付属）を使用してラックに取り付けます。

固定金具の取り付け

垂直取り付け Rack-mount を標準 EIA-310 ラックまたはフレームに垂直に取り付けるには：

- 給電を行うシステムに対して最も近い位置にある垂直または水平レールで、Rack-mount PDU の設置場所を確認します。
注：Rack-mount PDU に接続する電源コードすべてが選択した位置まで到達可能であることを確認してください。
- 取り付けフックが垂直レールの四角の穴に入るように Rack-mount PDU を配置します。
- 取り付けフックが四角の穴に収まり、リリースボタンが飛び出して、カチッと音がするまで Rack-mount PDU を下方に押しします。



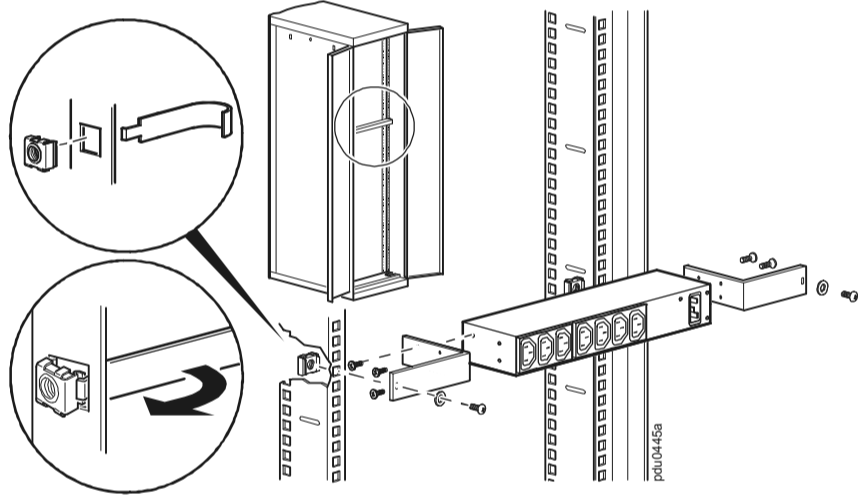
水平取り付け Rack-mount PDU を EIA-310-D 標準 19 インチラックに以下の手順で取り付けることができます：

- フレームの前面または後面の向きを基に、Rack-mount PDU の取り付け位置を決めます。
- 丸皿ネジ（付属）を使用して、固定金具を Rack-Mount PDU に取り付けます。
- 機器の位置を決めます。



注：機種は U スペースを1つ占有します。フレームの垂直レール上の番号は、U スペースの中央を表します。

- 選択した場所に位置する各垂直取り付けレール上にある刻み目付きの穴の上下に、ケーシング（ラックに付属）を挿入します。
- 固定金具の取り付け穴を、取り付けたケーシングに合わせて。ネジを入れて、締めます。



ハードウェアの限定保証と返品について

弊社ハードウェアの限定保証は、弊社の免責および責任制限に関する重要な情報を含んでおり、お客様の権利に大きく影響する可能性があります。弊社製品をご使用されることにより、お客様は弊社ハードウェアの限定保証と返品条件を受託されたものといたします。ご使用のハードウェア製品の保証内容につきましては、梱包内容または購入契約書をご参照ください。

弊社ハードウェアの限定保証と返品条件につきましては、下記をご参照ください。

米国国内のお客様

ハードウェアの限定保証：www.dell.com/warranty

返品について：www.dell.com/returnpolicy

カナダ国内のお客様

限定保証：http://support.dell.com/support/topics/topic.aspx/ca/shared/support/en/warranty_information?ck=ln&c=ca&l=en&lnki=0&s=gen

製品返却制度（トータル・サティスファクション・ポリシー）：<http://www1.ca.dell.com/content/topics/reftopic.aspx/gen/en/policy?c=ca&l=en&s=gen§ion=018>

弊社ホームページにアクセスできないお客様は、お手数ですがハードウェアの限定保証と返品条件に関するハードコピーを下記フリーダイヤルまでご請求ください。

米国国内のお客様：1-800-8228965

カナダ国内のお客様：1-800-387-5757



基本信息

部件

本手册提供有关安装机架配电单元 (Dell Rack PDU) 的信息。

验收

检查包装和包装内的物品在运输过程中是否受损，并确保收到所有部件。如有任何损坏，应立即向货运代理商报告，遇到部件丢失、损坏或其他问题应立即向 Dell 或 Dell 分销商报告。

请回收利用

运输材料是可回收的。请将其存放好以备后用，或者对其进行适当的处理。

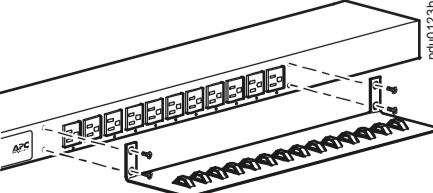


安装机架 PDU

安装缆线固定托盘（这仅对垂直机架式 PDU 是可选的）

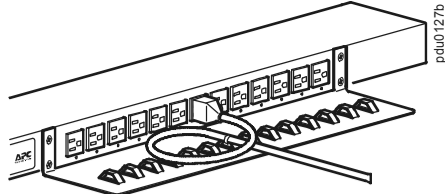


注意：请只使用提供的螺钉。每个托盘使用四个平头螺钉（已提供），将缆线固定托盘安装到机架 PDU 上。



将缆线连接到托盘（这仅对垂直机架式 PDU 是可选的）

使用导线束带（已提供）将缆线绕成环状，并将其固定到固定托盘。



注：每条缆线都必须固定到固定托盘上，这样您不用移除导线束即可将其从 PDU 上拔下。



注意：安装 PDU 时，请确保电源线插头易于触及，并且 PDU 连接到一个接地插座。

安装选项

您可以使用以下两种方法之一安装机架 PDU：使用免工具安装固定销（已提供）或安装支架（已提供）。

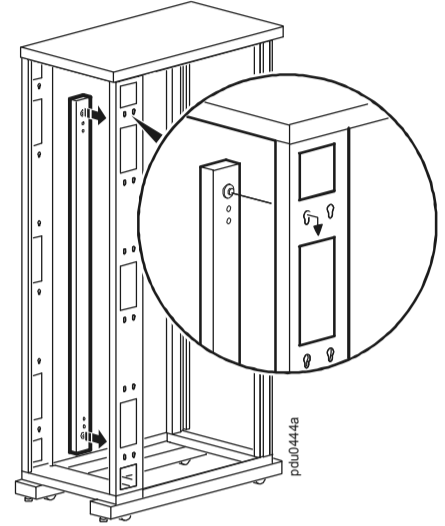
垂直安装

- 要使用免工具安装的方法安装机架 PDU，请将其安装到网络机柜的背面，即垂直固定导轨正后方的缆线通道中。
- 如果使用安装支架安装机架 PDU，请将其安装到机架或机柜的垂直固定导轨上。

水平安装 若要使用水平安装支架安装机架 PDU，首先需要将支架安装到机架 PDU 上，然后再用笼形螺母（随机提供）将 PDU 固定到机架上。

免工具安装（这仅对垂直机架式 PDU）

- 将两个固定销滑入机柜背面板通道中的孔洞。
- 向下按压机架 PDU，将其卡入，直至锁定到位。



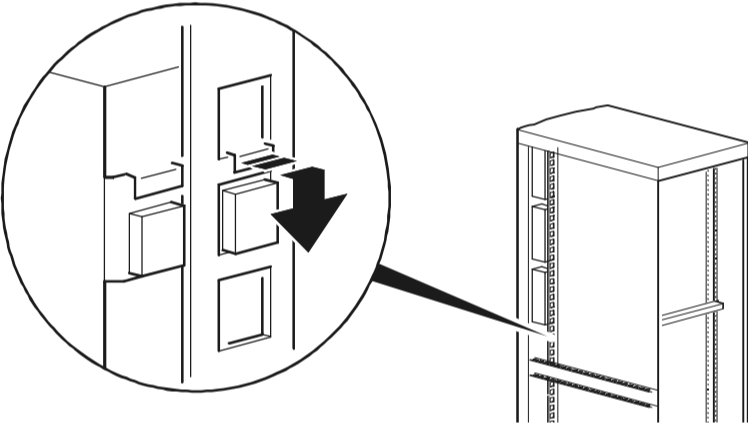
注：您可以使用免工具安装的方法将两个 PDU 固定在机柜的一侧。



支架安装

垂直安装。 要将机架式 PDU 垂直安装在任何一个标准 EIA-310 机架或机柜中，请执行以下操作：

- 在垂直或水平导轨上确定安装机架式 PDU 的合适位置，使其与要进行供电的系统尽量靠近。
注：确保要连接到机架式 PDU 的所有电源线都能到达所选择的位置。
- 放置机架式 PDU，将安装接头插入垂直导轨上的方形孔中。
- 将机架式 PDU 向下推，直至安装接头固定到方形孔中，且释放按钮弹出并发出喀嗒声。



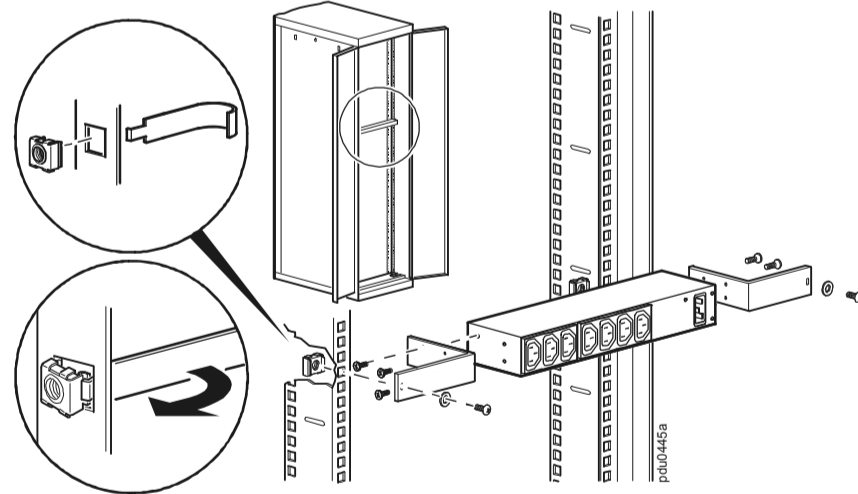
水平安装。 您可以将机架式 PDU 安装到 EIA-310-D 标准 19 英寸机架中，安装时请执行以下操作：

- 选择机架式 PDU 的安装位置，正面或背面朝向机柜外均可。
- 使用随附的平头螺钉将安装支架安装到机架式 PDU 上。
- 选择设备的安装位置：



注：本设备占据一个 U 空间。机柜垂直导轨上的编号表示 U 空间的中间位置。

- 在每条垂直安装导轨的所选位置上的凹孔上下位置分别插入一个锁紧螺母（随机提供）。
- 将支架的安装孔与安装好的锁紧螺母对齐。插入并拧紧螺钉。



有限硬件担保和退货政策

Dell 的《有限硬件担保》提供了有关 Dell 免责和责任限制的重要信息，这些信息可能会在一定程度上影响到您的权利。一旦您使用本产品，即表示您同意接受 Dell 的《有限硬件担保》和《退货政策》中的条款和条件。要确认您的硬件产品适用何种担保原则，请参阅包装单或购买合同。

您可以查看并打印 Dell 的《有限硬件担保》和《退货政策》：

美国客户

有限硬件担保：www.dell.com/warranty

退货政策：www.dell.com/returnpolicy

加拿大客户

有限担保：http://support.dell.com/support/topics/topic.aspx/ca/shared/support/en/warranty_information?ck=ln&c=ca&l=en&lnki=0&s=gen

完全满意退货政策：<http://www1.ca.dell.com/content/topics/reftopic.aspx/gen/en/policy?c=ca&l=en&s=gen§ion=018>

如果您无法访问网站，还可拨打以下电话请求提供《有限硬件担保》和《退货政策》的复印件。

美国客户：1-800-8228965

加拿大客户：1-800-387-5757



初步资讯

功能

本说明书提供 Dell 机架 PDU 的安装资讯。

验收

检查包装内与含物品在运输过程中是否有损坏，并确保所有零件都已寄达。如有任何损坏，请立即向货运代理商报告，如遇到物品缺失、损坏或其他问题，请立即向 Dell 或 Dell 分销商报告。

回收利用

运输材料是可回收的。请将其保存好，以备今后使用，或以适当方式进行处理。



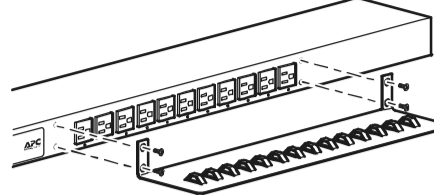
安装机架 PDU

安装缆线固定托盘（仅供垂直机架 PDU 选用）



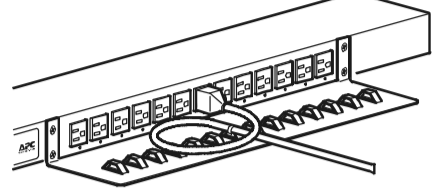
注意：请仅使用随附的螺丝。

将缆线固定托盘安装到机架 PDU 上，每个托盘使用 4 颗平头螺丝（已提供）进行固定。



将缆线固定到托盘（仅供垂直机架 PDU 选用）

要将缆线固定到托盘，请将缆线打圈，然后用束带（已提供）将其固定到托盘上。



备注：每根缆线都必须固定到托盘，这样无需取下束带，就可以将缆线从机架 PDU 上拔下。



备注：在安装机架 PDU 时，请确保电源线插头可触及，并且机架 PDU 连接到接地插座。

安装方案

您可以采用以下两种方法之一安装机架 PDU：使用免工具安装固定销（已提供）或者安装支架（已提供）。

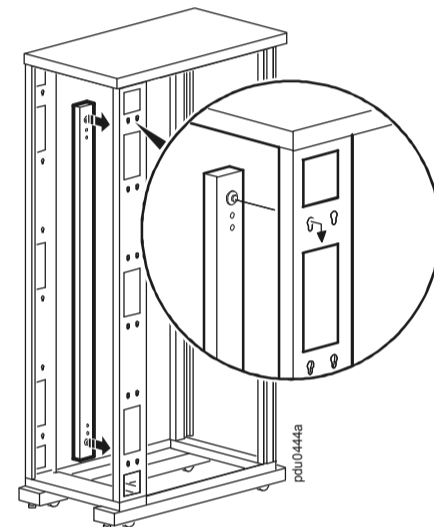
垂直安装

- 要使用免工具安装的方法安装机架 PDU，请将其安装到机柜的背面，即垂直安装导轨正后方的缆线通道中。
- 要使用安装支架安装机架 PDU，请将其安装到机架或机柜的垂直安装导轨上。

水平安装 要使用水平安装支架安装机架 PDU，请将支架安装到机架 PDU 上，然后使用锁紧螺母（随机提供）将机架 PDU 安装到机架上。

免工具安装（仅适用于垂直机架 PDU）

- 将两个安装固定销滑入机柜背面板通道中的小孔。
- 向下按机架 PDU，将其卡入，直至锁定到位。



备注：使用免工具安装方法可以在机柜的一侧安装两个 PDU。

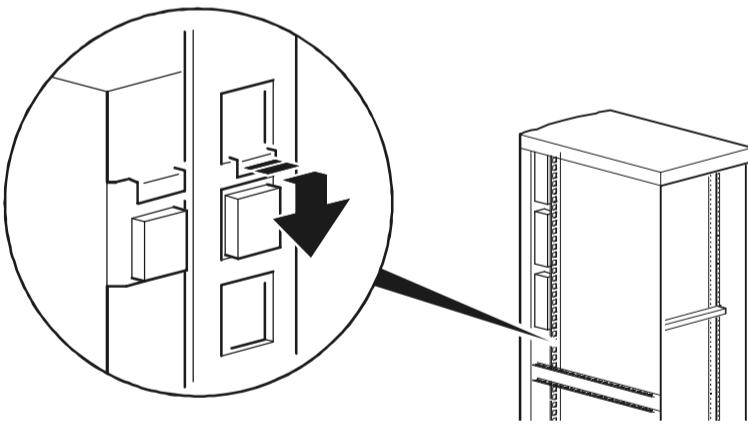
支架安装

垂直安装，要在任何标准 EIA-310 机架或机柜上垂直安装机架 PDU：

- 在垂直或水平导轨上确定安装机架 PDU 的合适位置，使该位置尽量靠近 PDU 要供电的系统。
备注：请确保所有要连接到机架 PDU 的电源线都能到达您选择的位置。



- 放置机架 PDU，使安装接头伸进垂直导轨上的方孔。
- 将机架 PDU 向下按，直至安装接头固定到方孔中，且释放按钮弹出并听到卡嗒声。



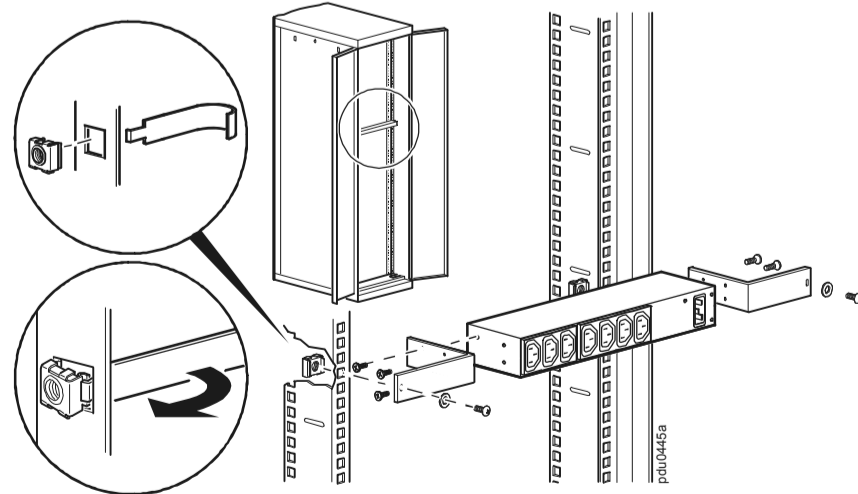
水平安装 可在 EIA-310-D 标准 19 英寸机架上安装机架 PDU：

- 选择机架 PDU 的安装位置，可以正面朝向机柜外，也可以背面朝向机柜外。
- 使用平头螺丝（已提供）将安装支架安装到机架 PDU 上。
- 选择设备的安装位置：



备注：本设备占据一个 U 形空间。机柜垂直导轨上的编号表示 U 形空间的中间位置。

- 在所选位置的每个垂直安装导轨的凹孔上下方插入锁紧螺母（随机提供）。
- 将支架上的安装孔与安装好的锁紧螺母对齐。插入螺丝并拧紧。



《有限硬件担保》及《退货政策》

Dell 的《有限硬件担保》提供了与 Dell 之免责及责任限制有关的重要资讯，这些资讯可能对您的权利有重大影响。一旦您使用本产品，即表示您接受 Dell 的《有限硬件担保》及《退货政策》中的条款与条件。要确定您的硬件产品适用哪种担保原则，请参阅您的装箱单或购买协议。

您可以检视并列印 Dell 的《有限硬件担保》及《退货政策》：

美国顾客

有限硬件担保：www.dell.com/warranty

退货政策：www.dell.com/returnpolicy

加拿大顾客

有限担保：http://support.dell.com/support/topics/topic.aspx/ca/shared/support/en/warranty_information?ck=ln&c=ca&l=en&lnki=0&s=gen

完全满意退货政策：<http://www1.ca.dell.com/content/topics/reftopic.aspx/gen/en/policy?c=ca&l=en&s=gen§ion=018>

若您无法存取网站，您可以致电以下号码索取一份《有限硬件担保》及《退货政策》的复印件。

美国顾客：1-800-8228965

加拿大顾客：1-800-387-5757