

Dell[®] Inspiron™ Port Replicator I User's Guide



The Dell Inspiron Port Replicator I integrates your Dell Inspiron 3000 portable computer quickly and easily into a desktop environment. Use the instructions in this document to attach external devices to the port replicator and to connect your computer to the port replicator.

NOTE: If you received a basic input/output system (BIOS) upgrade diskette with your port replicator, use the diskette to upgrade the BIOS on your Dell Inspiron 3000 computer before attaching the computer to the port replicator. For instructions, see the document titled Dell Inspiron 3000: Upgrading the BIOS, which came with the BIOS upgrade diskette.

Connecting External Devices to the Port Replicator

The input/output (I/O) connectors on the back of the port replicator duplicate those on the back and side of your computer, so you can connect any external device to the port replicator that you can connect to the computer. In addition, you can connect a musical instrument digital interface (MIDI) device or a gaming device, such as a joystick, to the port replicator. You can also connect two Universal Serial Bus (USB) devices at once.

The following list shows the icons for each of the connectors on the back of the port replicator and indicates the type of external device(s) that can be attached to each connector.



An external Personal System/2 (PS/2)-compatible mouse connected to the PS/2 mouse connector



An external PS/2-compatible keyboard or external numeric keypad connected to the PS/2 keyboard connector



A MIDI audio device or gaming device, such as a joystick, connected to the MIDI/game connector



A serial device, such as a serial mouse or external modem, connected to the serial connector



A parallel device, such as a printer, connected to the parallel connector



An external monitor connected to the monitor connector



A speaker or headphones connected to the line-out connector



A microphone connected to the microphone connector



A record/playback audio device such as a cassette player, CD player, or VCR, connected to the line-in connector



The AC adapter that came with the port replicator connected to the AC adapter connector



One or two USB devices, such as a USB mouse, connected to the dual USB connector



A lock slot, which you can use to secure the port replicator

Use the following instructions to attach external devices to the port replicator:

1. **Refer to Figure 1 to attach external devices to the appropriate connectors on the back of the port replicator.**

CAUTION: The connectors on the back of the port replicator are inverted (as viewed while facing the back of the port replicator). Before attaching any cables, verify that the connector pins are aligned correctly to avoid damaging the connectors.

NOTES: If the cable connector from the external device has thumbscrews, be sure to tighten them to ensure a proper connection.

To connect the computer to a network, you must install a network PC Card in your computer. Likewise, to connect the computer to a small computer system interface (SCSI) device, you must attach a

SCSI PC Card to your computer. See “Using Internal Devices” in your online Dell Inspiron 3000 User’s Guide for information about using PC Cards.

For detailed information on using external devices with your portable computer, see “Using External Devices” in your online System User’s Guide.

2. **Connect the external devices to their power sources, if applicable.**

Connecting the Computer to the Port Replicator

Use the following instructions to connect your computer to the port replicator.

1. **Save all your work, and exit all application programs.**
2. **Shut down the computer.**
3. **If you have not already done so, connect the AC adapter to the port replicator, and plug the AC power cable into an AC power source.**

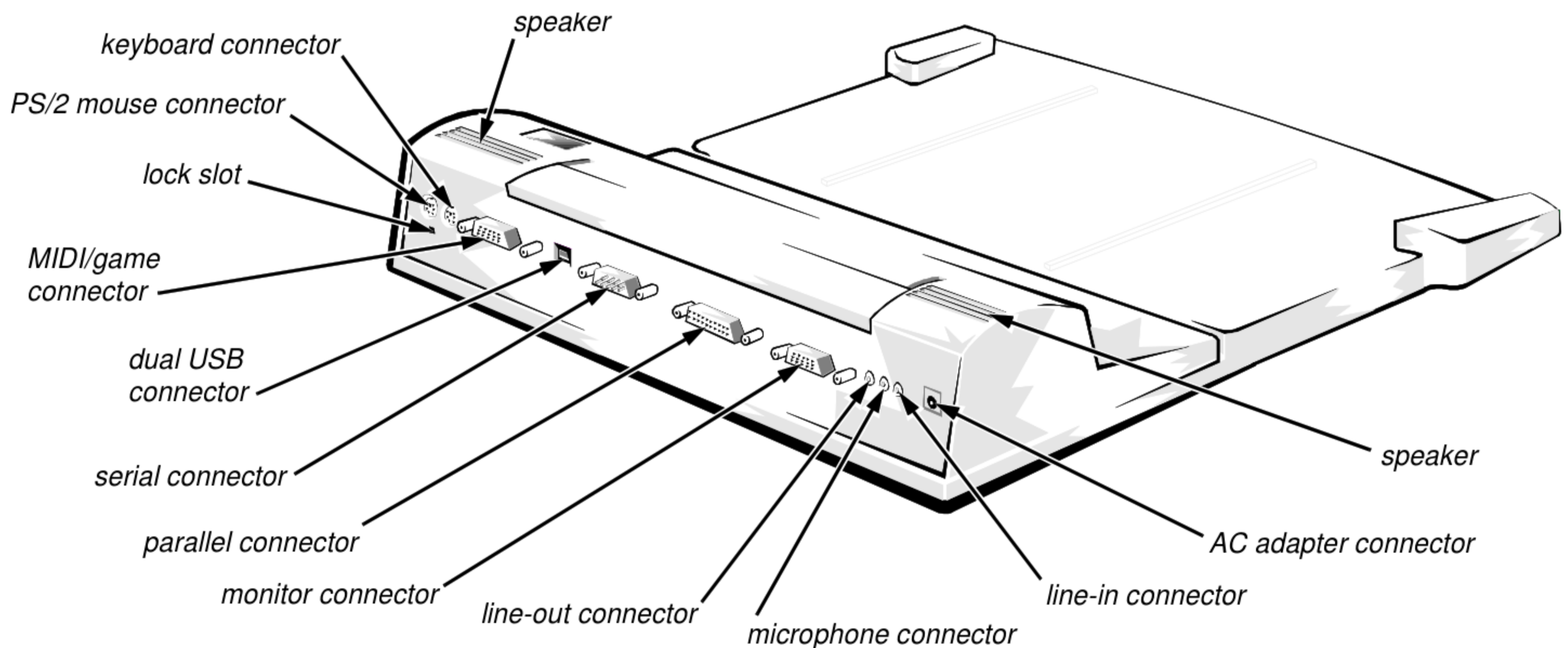


Figure 1. Attaching External Devices to the Port Replicator

4. Place the computer on the port replicator platform, with the back of the computer facing the port replicator's docking connector, as shown in Figure 2.

Make sure that the grooves on the bottom of the computer align properly on the platform rails.

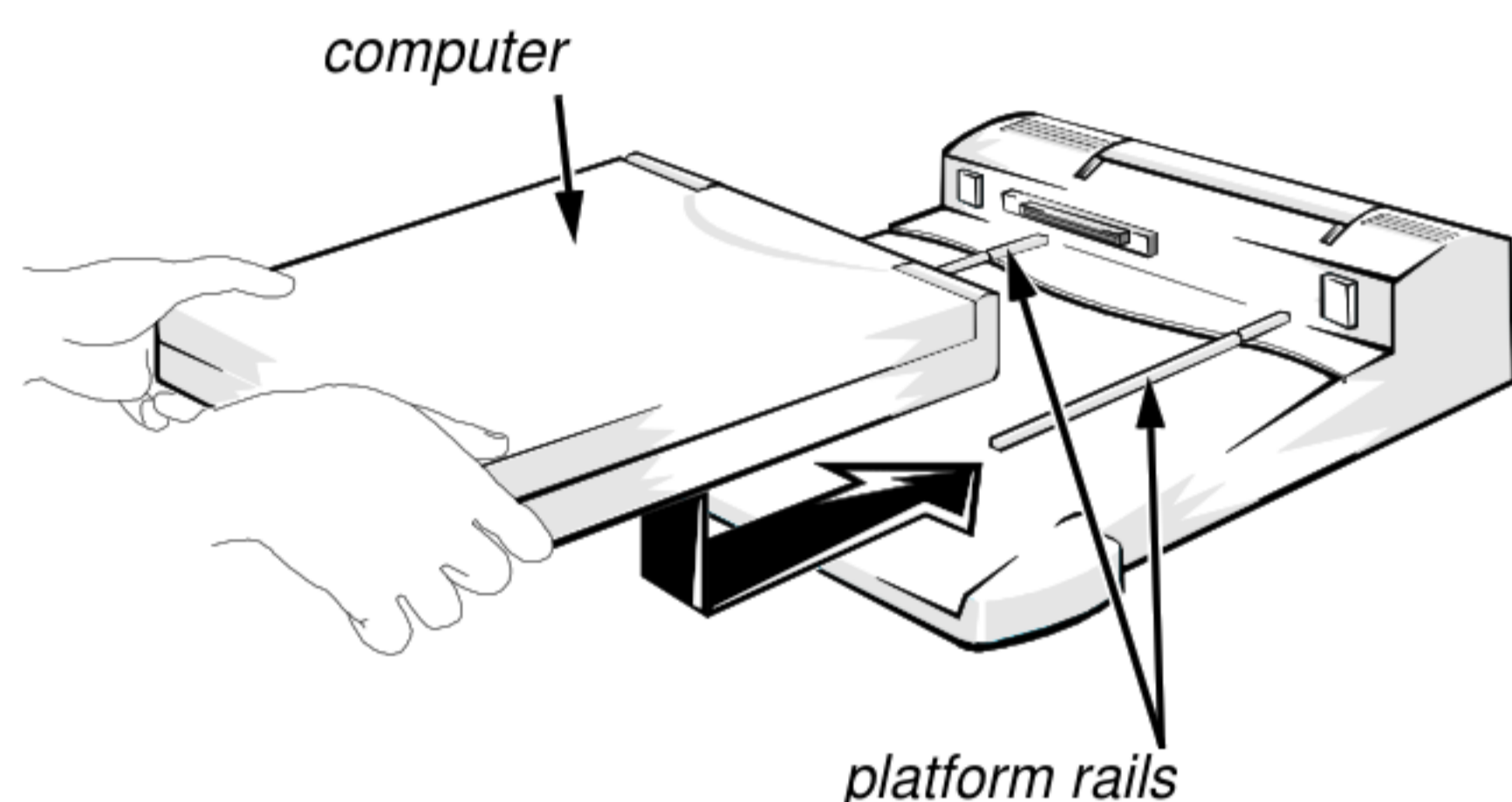


Figure 2. Positioning the Computer on the Port Replicator

5. Position your fingers on the platform grips, as shown in Figure 3, and use your thumbs to push the computer forward until the docking connectors are fully engaged.

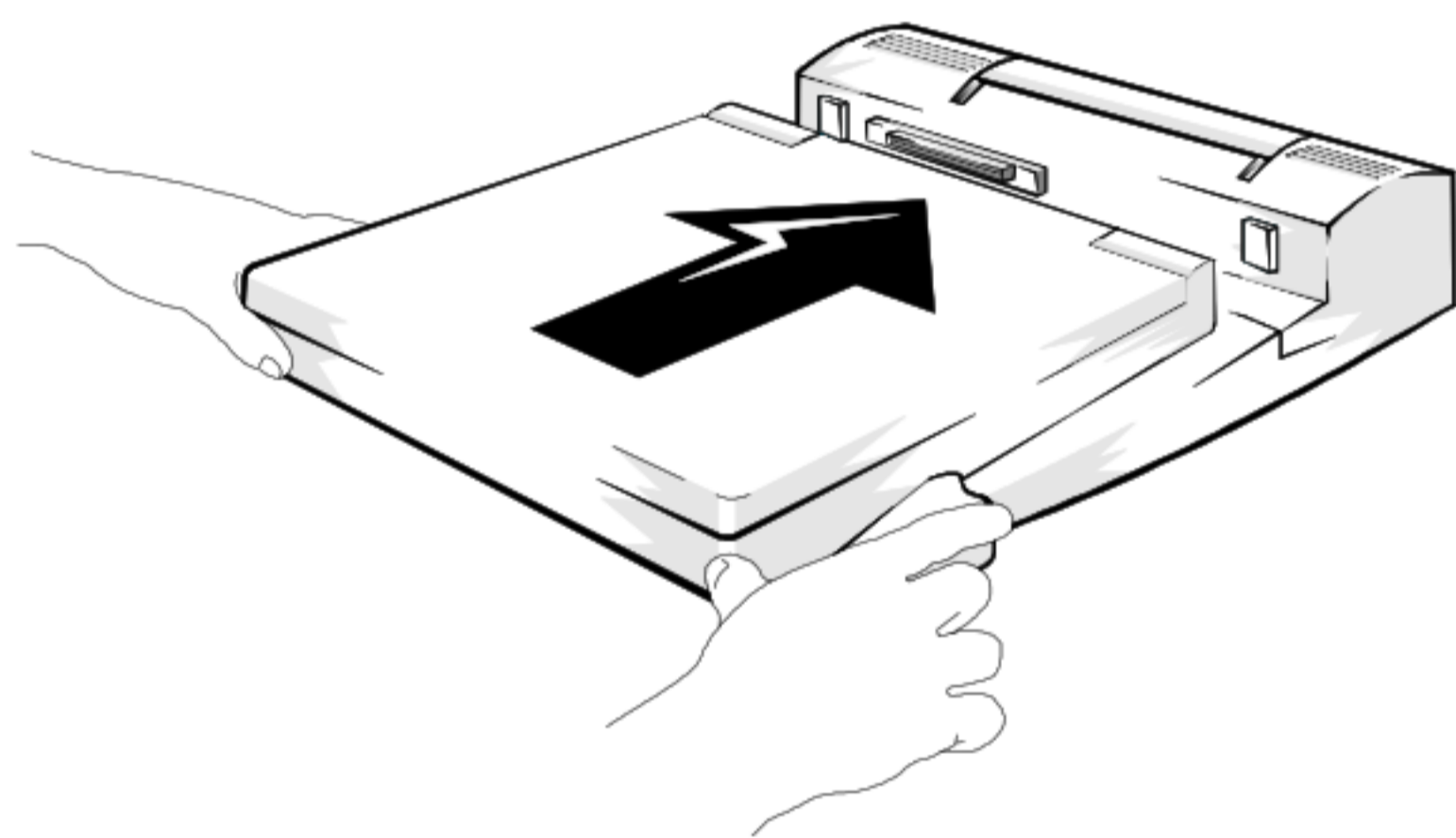


Figure 3. Docking the Computer

6. Turn on the computer.

7. If you need to use a MIDI or gaming device, go to step 8.

If you do not need to use a MIDI or gaming device, go to the next section, "Detaching the Computer From the Port Replicator."

8. When prompted just after start-up, press <F2> to enter the Setup program.

The Main menu of the Setup program appears.

9. In the System Devices menu of the Setup program, set either the MPU Device option or the Joystick option to Enabled, depending on which device you want to use.

NOTE: Do not set both the MPU Device and the Joystick options to Enabled at the same time.

10. Save the settings and exit the Setup program.

Your computer automatically restarts.

Detaching the Computer From the Port Replicator

Use the following procedure to detach the computer from the port replicator:

1. Save all your work, and exit all application programs.
2. Shut down the computer.
3. Raise the release handle at the top of the replicator, as shown in Figure 4, to undock the computer.

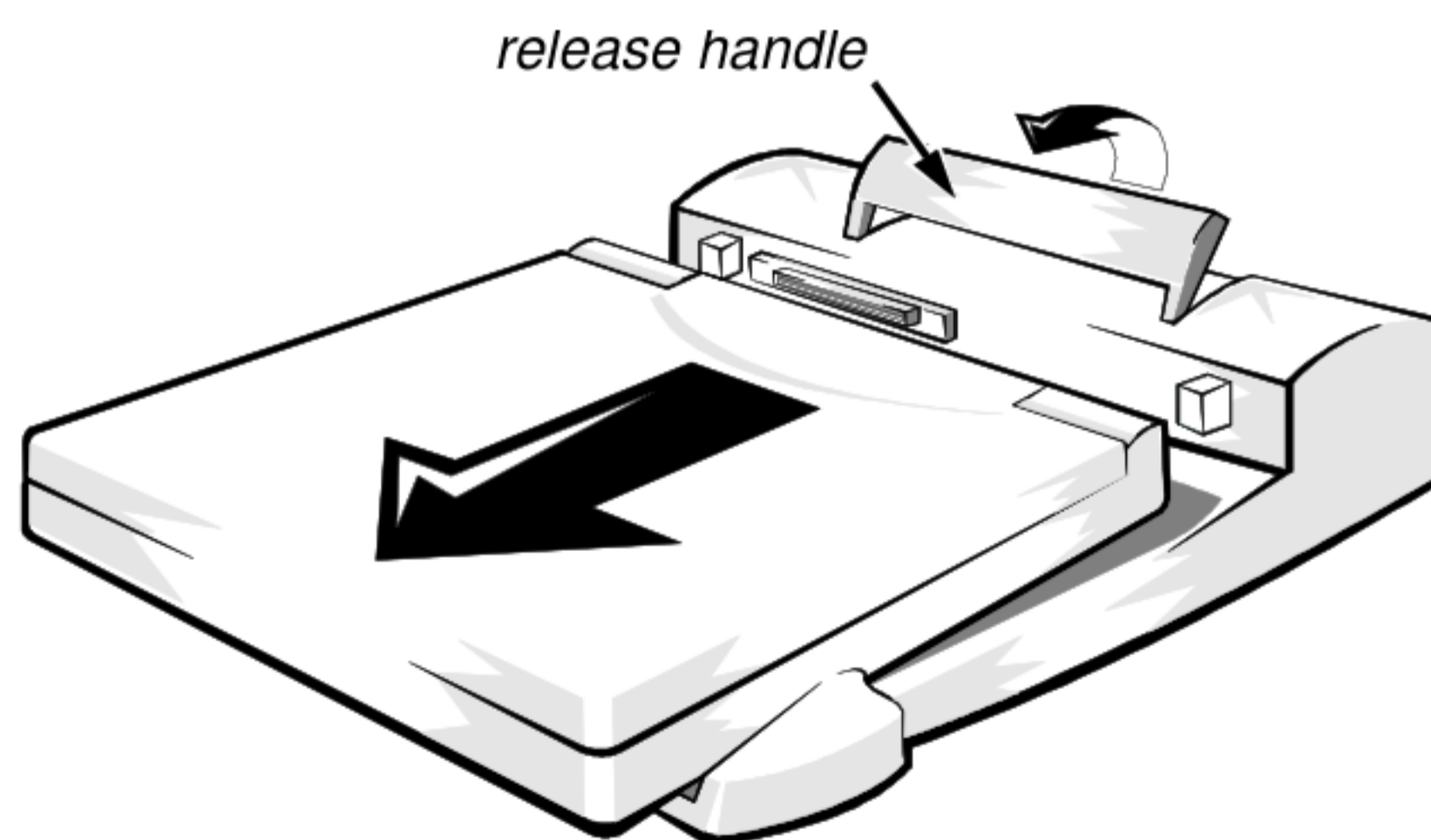


Figure 4. Detaching the Computer From the Port Replicator

Technical Specifications

Table 1 lists the technical specifications for the port replicator.

Table 1. Technical Specifications

Physical	
Height	75 mm (2.95 inches)
Depth	320.0 mm (12.60 inches)
Width	356.9 mm (14.05 inches)
Weight	1.67 kg (3.68 lb)
Connectors	
Expansion (to connect to computer)	one card-edge connector
Serial (DTE)	one 9-pin male connector
Parallel	one 25-hole female connector
PS/2-compatible keyboard/keypad	one 6-hole external keyboard connector
PS/2-compatible mouse	one 6-hole external PS/2 mouse connector
Monitor	one 15-hole female connector
Audio jacks	one speaker-out, one line-in, one microphone-in
MIDI/game port	one 15-hole female for MIDI or joystick in/out
USB (dual)	two 4-pin connectors
Environmental	
Operating temperature	5° to 35°C (41° to 95°F)
Storage temperature	-20° to 50°C (-4° to 122°F)
Storage relative humidity	10% to 90% (noncondensing)

NOTE: For the full name of an abbreviation or acronym used in this table, see the Glossary in the online System User's Guide.

Regulatory Notices

All regulatory notices for the Dell Inspiron 3000 Port Replicator are located on the bottom of the port replicator.

FCC Class B Notice (U.S. Only)

This equipment generates, uses, and can radiate radio frequency energy and, if not installed and used in accordance with the manufacturer's instruction manual, may cause interference with radio and television reception. This equipment has been tested and found to comply with the limits for a Class B digital device pursuant to Part 15 of the Federal Communications Commission (FCC) Rules. These limits are designed to provide reasonable protection against harmful interference in a residential installation. However, there is no guarantee that interference will not occur in a particular installation. If this equipment does cause harmful interference with radio or television reception, which can be determined by turning the equipment off and on, you are encouraged to try to correct the interference by one or more of the following measures:

- Reorient the receiving antenna.
- Relocate the computer with respect to the receiver.
- Move the computer away from the receiver.
- Plug the computer into a different outlet so that the computer and the receiver are on different branch circuits.

If necessary, consult a representative of Dell Computer Corporation or an experienced radio/television technician for additional suggestions. You may find the following booklet helpful: *FCC Interference Handbook, 1986*, available from the U.S. Government Printing Office, Washington, DC 20402, Stock No. 004-000-00450-7.

Note that FCC regulations provide that changes or modifications not expressly approved by Dell Computer Corporation could void your authority to operate this equipment. Furthermore, shielded cables must be used when you connect peripherals to any Dell device.

This device complies with Part 15 of the FCC Rules. Operation is subject to the following two conditions:

- This device may not cause harmful interference.

- This device must accept any interference received, including interference that may cause undesired operation.

The following information is provided about the device or devices covered by this document in compliance with FCC regulations:

- Product name: Dell Inspiron Port Replicator I
- Model number: TSR6C
- Company name: Dell Computer Corporation
Regulatory Department
One Dell Way
Round Rock, Texas 78682 USA
512-338-4400

IC Notice (Canada Only)

Most Dell portable computers (and other Dell digital apparatus) are classified by the Industry Canada (IC) Interference-Causing Equipment Standard #3 (ICES-003) as Class B digital devices. To determine which classification (Class A or B) applies to your computer (or other Dell digital apparatus), examine all registration labels located on the bottom or the back panel of your computer (or other digital apparatus). A statement in the form of "IC Class A ICES-3" or "IC Class B ICES-3" will be located on one of these labels.

Note that Industry Canada regulations provide that changes or modifications not expressly approved by Dell Computer Corporation could void your authority to operate this equipment.

This Class B (or Class A, if so indicated on the registration label) digital apparatus meets the requirements of the Canadian Interference-Causing Equipment Regulations.


Cet appareil numérique de la Classe B (ou Classe A, si ainsi indiqué sur l'étiquette d'enregistrement) respecte toutes les exigences du Règlement sur le Matériel Brouilleur du Canada.

EN 55022 Compliance (Czech Republic Only)

This device belongs to category B devices as described in EN 55022, unless it is specifically stated that it is a category A device on the specification label. The following applies to devices in category A of EN 55022 (radius of protection up to 30 meters). The user of the device is obliged to take all steps necessary to remove sources of interference to telecommunication or other devices.

Pokud není na typovém štítku počítače uvedeno, že spadá do třídy A podle EN 55022, spadá automaticky do třídy B podle EN 55022. Pro zařízení zařazená do třídy A (ochranné pásmo 30m) podle EN 55022 platí následující. Dojde-li k rušení telekomunikačních nebo jiných zařízení, je uživatel povinen provést taková opatření, aby rušení odstranil.

CE Notice

Marking by the symbol  indicates compliance of this Dell portable computer to the EMC (Electromagnetic Compatibility) directive of the European Community. Such marking is indicative that this Dell portable computer meets or exceeds the following technical standards:

- EN 55022 — “Limits and Methods of Measurement of Radio Interference Characteristics of Information Technology Equipment.”


NOTE: EN 55022 emissions requirements provide for two classifications—Class A and Class B. If any one of the registration labels (located on the bottom or back panel of your computer, on card-mounting brackets, or on the cards themselves) carries an FCC Class A rating, the following warning applies to your portable computer.

WARNING: This is a Class A product. In a domestic environment this product may cause radio interference in which case the user may be required to take adequate measures.

- EN 50082-1 — “Electromagnetic compatibility—Generic immunity standard Part 1: Residential, commercial, and light industry.”
- IEC 801-2 — “Electromagnetic compatibility for industrial-process measurement and control equipment Part 2: Electrostatic discharge requirements.” — Severity level 3.
- IEC 801-3 — “Electromagnetic compatibility for industrial-process measurement and control equipment Part 3: Radiated electromagnetic field requirements.” — Severity level 2.
- IEC 801-4 — “Electromagnetic compatibility for industrial-process measurement and control equipment Part 4: Electrical fast transient/burst requirements.” — Severity level 2.
- EN60950:1992 + Amd.1:1993 + Amd.2:1993 — “Safety of Information Technology Equipment including Electrical Business Equipment.”

A “Declaration of Conformity” in accordance with the above standards has been made and is on file at Dell Products Europe BV, Limerick, Ireland.

VCCI Notices (Japan Only)

Most Dell computer systems are classified by the Voluntary Control Council for Interference (VCCI) as Class B information technology equipment (ITE). However, the inclusion of certain options changes the rating of some configurations to Class A. To determine which classification applies to your computer system, examine the FCC classification on the registration labels located on the back panel of your computer, on card-mounting brackets, and on the cards themselves. If any one of the labels carries an FCC Class A designation, your entire system is considered to be VCCI Class A ITE. If *all* labels carry either an FCC Class B identification number or the FCC logo () , your system is considered to be VCCI Class B ITE.

Once you have determined your system’s VCCI classification, read the appropriate VCCI notice. Note that VCCI regulations provide that changes or modifications not expressly approved by Dell Computer Corporation could void your authority to operate this equipment.

Class A ITE

This is a Class A product based on the standard of the Voluntary Control Council for Interference for information technology equipment. If this equipment is used in a domestic environment, radio disturbance may arise. When such trouble occurs, the user may be required to take corrective actions.

Class B ITE

This is a Class B product based on the standard of the Voluntary Control Council for Interference for information technology equipment. If this equipment is used near a radio or television receiver in a domestic environment, it may cause radio interference. Install and use the equipment according to the instruction manual.

Korean Regulatory Notice

To determine which classification (Class A or B) applies to your portable computers (or other Dell digital apparatus), examine all registration labels located on the bottom or the back panel of your computer (or other digital apparatus), on card-mounting brackets, and on the cards themselves. If any one of the labels carries a Class A rating, your entire computer is considered to be a Class A digital device. If all labels carry the Class B rating, your computer is considered to be a Class B digital device.

NOTE: Class A devices are for business purposes. Class B devices are for nonbusiness purposes.

Class A Device

Please note that this device has been approved for business purposes with regard to electromagnetic interference. If you find that this device is not suitable for your use, you may exchange it for a device that has been approved for use in residential as well as business environments.

Class B Device

Please note that this device has been approved for non-business purposes and may be used in any environment, including residential areas.

Warranties

The following warranties apply to the Dell Inspiron 3000 Port Replicator.

Limited One-Year Warranty (U.S. and Canada Only)

Dell Computer Corporation (“Dell”) manufactures its hardware products from parts and components that are new or equivalent to new in accordance with industry-standard practices. Dell warrants that the hardware products it manufactures will be free from defects in materials and workmanship. The warranty term is one year beginning on the date of invoice, as further described in the following text.

Damage due to shipping the products to you is covered under this warranty. Otherwise, this warranty does not cover damage due to external causes, including accident, abuse, misuse, problems with electrical power, servicing not authorized by Dell, usage not in accordance with product instructions, failure to perform required preventive maintenance, and problems caused by use of parts and components not supplied by Dell.

This warranty does not cover any items that are in one or more of the following categories: software; external devices (except as specifically noted); accessories or parts added to a Dell system after the system is shipped from Dell; accessories or parts added to a Dell system through Dell’s system integration department; accessories or parts that are not installed in the Dell factory; or DellWare[®] products. Monitors, keyboards, and mice that are Dell-branded or that are included on Dell’s standard price list are covered under this warranty; all other monitors, keyboards, and mice (including those sold through the DellWare program) are not covered.

Dell will repair or replace products covered under this limited warranty that are returned to Dell’s facility. To request warranty service, you must call Dell’s Customer Technical Support within the warranty period. Refer to the chapter titled “Getting Help” in your *Reference and Troubleshooting Guide* or the section titled “Contacting Dell” in your online *System User’s Guide* to find the appropriate telephone number for obtaining customer assistance. If warranty service is required, Dell will issue a Return Material Authorization Number. You must ship the products back to Dell in their original or equivalent

packaging, prepay shipping charges, and insure the shipment or accept the risk of loss or damage during shipment. Dell will ship the repaired or replacement products to you (freight prepaid) if you use an address in the continental U.S. or Canada, where applicable. Shipments to other locations will be made freight collect.

NOTE: Before you ship the product(s) to Dell, back up the data on the hard-disk drive(s) and any other storage device(s) in the product(s). Remove any removable media, such as diskettes, CDs, or PC Cards.

Dell owns all parts removed from repaired products. Dell uses new and reconditioned parts made by various manufacturers in performing warranty repairs and building replacement products. If Dell repairs or replaces a product, its warranty term is not extended.

DELL MAKES NO EXPRESS WARRANTIES OR CONDITIONS BEYOND THOSE STATED IN THIS WARRANTY STATEMENT. DELL DISCLAIMS ALL OTHER WARRANTIES AND CONDITIONS, EXPRESS OR IMPLIED, INCLUDING WITHOUT LIMITATION IMPLIED WARRANTIES AND STATES (OR JURISDICTIONS) DO NOT ALLOW LIMITATIONS ON IMPLIED WARRANTIES OR CONDITIONS, SO THIS LIMITATION MAY NOT APPLY TO YOU.

DELL'S RESPONSIBILITY FOR MALFUNCTIONS AND DEFECTS IN HARDWARE IS LIMITED TO REPAIR AND REPLACEMENT AS SET FORTH IN THIS WARRANTY STATEMENT. THESE WARRANTIES GIVE YOU SPECIFIC LEGAL RIGHTS AND YOU MAY ALSO HAVE OTHER RIGHTS WHICH VARY FROM STATE TO STATE (OR JURISDICTION TO JURISDICTION).

DELL DOES NOT ACCEPT LIABILITY BEYOND THE REMEDIES SET FORTH IN THIS WARRANTY STATEMENT OR LIABILITY FOR INCIDENTAL OR CONSEQUENTIAL DAMAGES, INCLUDING WITHOUT LIMITATION ANY LIABILITY FOR PRODUCTS NOT BEING AVAILABLE FOR USE OR FOR LOST DATA OR SOFTWARE.

SOME STATES (OR JURISDICTIONS) DO NOT ALLOW THE EXCLUSION OR LIMITATION OF INCIDENTAL OR CONSEQUENTIAL DAMAGES, SO THE PRECEDING EXCLUSION OR LIMITATION MAY NOT APPLY TO YOU.

These provisions apply to Dell's limited one-year warranty only. For provisions of any service contract covering your system, refer to the separate service contract that you will receive.

If Dell elects to exchange a product or portion of a product, the exchange will be made in accordance with Dell's Exchange Policy in effect on the date of the exchange.

“Total Satisfaction” Return Policy (U.S. and Canada Only)

If you are an end-user customer who bought products directly from a Dell company, you may return them to Dell up to 30 days from the date of invoice for a refund of the product purchase price if already paid. This refund will not include any shipping and handling charges shown on your invoice. If you are an organization who bought the products from Dell under a written agreement with Dell, there may be different terms for the return of products under this policy, based on your agreement with Dell. To return products, you must call Dell Customer Service (at the telephone number listed in the chapter titled “Getting Help” in your *Reference and Troubleshooting Guide* or the section titled “Contacting Dell” in your online *System User's Guide*) to receive a Credit Return Authorization Number. You must ship the products to Dell in their original packaging, prepay shipping charges, and insure the shipment or accept the risk of loss or damage during shipment. You may return software for refund or credit only if the sealed package containing the diskette(s) or CD(s) is unopened. Returned products must be in as-new condition, and all of the manuals, diskette(s), CD(s), power cables, and other items included with a product must be returned with it.

This “Total Satisfaction” Return Policy does not apply to DellWare products, which may be returned under DellWare's then-current return policy.