

Dell™ Inspiron™ One 2305/2310 Service Manual

[Technical Overview](#)

[Before You Begin](#)

[Back Cover](#)

[Hard Drive](#)

[Optical Drive](#)

[Converter Card](#)

[Touch Screen Control Card \(Optional\)](#)

[Front Stand](#)

[Audio Video Board Shield](#)

[Audio Video Board](#)

[Audio Video Board Cable](#)

[Audio Video Button Board](#)

[Rear Stand Cover](#)

[Rear Stand](#)

[Middle Frame](#)

[System-Board Shield](#)

[Antenna-In Connector](#)

[Infrared Blaster Connector](#)

[Wireless Antenna](#)

[Memory Module\(s\)](#)

[Wireless Mini-Card\(s\)](#)

[Coin-Cell Battery](#)

[MXM-Assembly Fan \(Optional\)](#)

[MXM Assembly \(Optional\)](#)

[Processor Heat-Sink Fan](#)

[Processor Heat-Sink](#)

[Processor](#)

[Speakers](#)

[Speaker Cover](#)

[System Board](#)

[Internal Card With Bluetooth® Wireless Technology](#)

[Camera Module](#)

[Infrared Card](#)

[B-CAS Card \(Optional\)](#)

[Display](#)

[System Setup Utility](#)

[Flashing the BIOS](#)

Notes, Cautions, and Warnings



NOTE: A NOTE indicates important information that helps you make better use of your computer.



CAUTION: A CAUTION indicates either potential damage to hardware or loss of data and tells you how to avoid the problem.



WARNING: A WARNING indicates a potential for property damage, personal injury, or death.

Information in this document is subject to change without notice.

© 2010 Dell Inc. All rights reserved.

Reproduction of these materials in any manner whatsoever without the written permission of Dell Inc. is strictly forbidden.

Trademarks used in this text: *Dell*, the *DELL* logo, and *Inspiron* are trademarks of Dell Inc.; *Bluetooth* is a registered trademark owned by Bluetooth SIG, Inc. and is used by Dell under license; *Microsoft*, *Windows*, and the *Windows* start button logo are either trademarks or registered trademarks of Microsoft Corporation in the United States and/or other countries.

Other trademarks and trade names may be used in this document to refer to either the entities claiming the marks and names or their products. Dell Inc. disclaims any proprietary interest in trademarks and trade names other than its own.

August 2010 Rev. A00

Regulatory model: W01C series Regulatory type: W01C001; W01C002

[Back to Contents Page](#)

Audio Video Board

Dell™ Inspiron™ One 2305/2310 Service Manual

- [Removing the Audio Video \(AV\) Board](#)
- [Replacing the Audio Video \(AV\) Board](#)

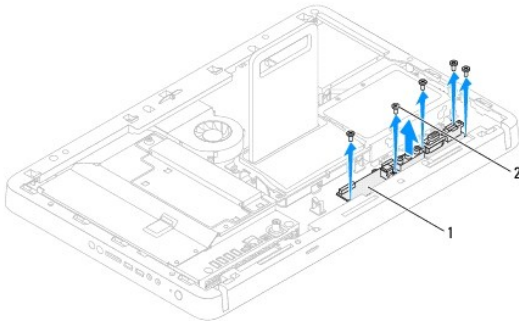
WARNING: Before working inside your computer, read the safety information that shipped with your computer. For additional safety best practices information, see the Regulatory Compliance Homepage at www.dell.com/regulatory_compliance.

CAUTION: Only a certified service technician should perform repairs on your computer. Damage due to servicing that is not authorized by Dell™ is not covered by your warranty.

CAUTION: To avoid electrostatic discharge, ground yourself by using a wrist grounding strap or by periodically touching an unpainted metal surface (such as a connector on your computer).

Removing the Audio Video (AV) Board


1. Follow the instructions in [Before You Begin](#).
2. Remove the back cover (see [Removing the Back Cover](#)).
3. Follow the instructions from [step 2](#) to [step 5](#) in [Removing the Front Stand](#).
4. Remove the AV board shield (see [Removing the Audio Video \(AV\) Board Shield](#)).
5. Disconnect the AV board cables from the connectors on the AV board.
6. Remove the five screws that secure the AV board to the chassis.
7. Lift the AV board away from the chassis.



1	AV board	2	screws (5)
---	----------	---	------------

Replacing the Audio Video (AV) Board

1. Follow the instructions in [Before You Begin](#).
2. Align the screw holes on the AV board with the screw holes on the chassis.
3. Replace the five screws that secure the AV board to the chassis.
4. Connect the AV board cables to the connectors on the AV board.
5. Replace the AV board shield (see [Replacing the Audio Video \(AV\) Board Shield](#)).
6. Follow the instructions from [step 4](#) to [step 5](#) in [Replacing the Front Stand](#).
7. Replace the back cover (see [Replacing the Back Cover](#)).

 **CAUTION:** Before turning on the computer, replace all screws and ensure that no stray screws remain inside the computer. Failure to do so may result in damage to the computer.

8. Connect your computer and all attached devices to electrical outlets, and turn them on.

[Back to Contents Page](#)

Audio Video Board Shield

Dell™ Inspiron™ One 2305/2310 Service Manual

- [Removing the Audio Video \(AV\) Board Shield](#)
- [Replacing the Audio Video \(AV\) Board Shield](#)

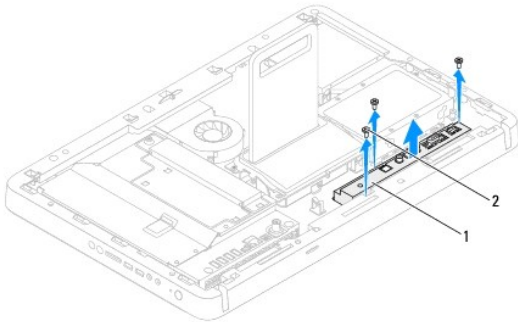
WARNING: Before working inside your computer, read the safety information that shipped with your computer. For additional safety best practices information, see the Regulatory Compliance Homepage at www.dell.com/regulatory_compliance.

CAUTION: Only a certified service technician should perform repairs on your computer. Damage due to servicing that is not authorized by Dell™ is not covered by your warranty.

CAUTION: To avoid electrostatic discharge, ground yourself by using a wrist grounding strap or by periodically touching an unpainted metal surface (such as a connector on your computer).

Removing the Audio Video (AV) Board Shield

1. Follow the instructions in [Before You Begin](#).
2. Remove the back cover (see [Removing the Back Cover](#)).
3. Follow the instructions from [step 2](#) to [step 5](#) in [Removing the Front Stand](#).
4. Remove the three screws that secure the AV board shield to the chassis.
5. Lift the AV board shield away from the chassis.



1	AV-board shield	2	screws (3)
---	-----------------	---	------------

Replacing the Audio Video (AV) Board Shield

1. Follow the instructions in [Before You Begin](#).
2. Align the screw holes on the AV board shield with the screw holes on the chassis.
3. Replace the three screws that secure the AV board shield to the chassis.
4. Follow the instructions from [step 4](#) to [step 5](#) in [Replacing the Front Stand](#).
5. Replace the back cover (see [Replacing the Back Cover](#)).

CAUTION: Before turning on the computer, replace all screws and ensure that no stray screws remain inside the computer. Failure to do so may result in damage to the computer.

6. Connect your computer and all attached devices to electrical outlets, and turn them on.

[Back to Contents Page](#)

[Back to Contents Page](#)

Audio Video Board Cable

Dell™ Inspiron™ One 2305/2310 Service Manual

- [Removing the Audio Video \(AV\) Board Cable](#)
- [Replacing the Audio Video \(AV\) Board Cable](#)

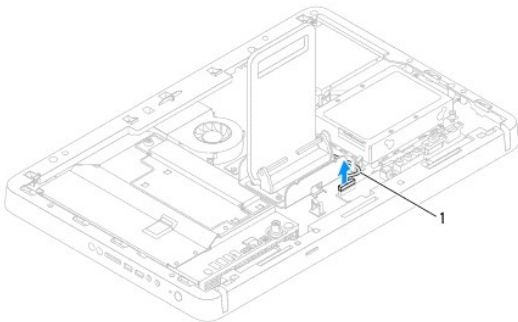
WARNING: Before working inside your computer, read the safety information that shipped with your computer. For additional safety best practices information, see the Regulatory Compliance Homepage at www.dell.com/regulatory_compliance.

CAUTION: Only a certified service technician should perform repairs on your computer. Damage due to servicing that is not authorized by Dell™ is not covered by your warranty.

CAUTION: To avoid electrostatic discharge, ground yourself by using a wrist grounding strap or by periodically touching an unpainted metal surface (such as a connector on your computer).

Removing the Audio Video (AV) Board Cable

1. Follow the instructions in [Before You Begin](#).
2. Remove the back cover (see [Removing the Back Cover](#)).
3. Follow the instructions from [step 2](#) to [step 5](#) in [Removing the Front Stand](#).
4. Remove the AV board shield (see [Removing the Audio Video \(AV\) Board Shield](#)).
5. Disconnect the AV board cable from the connector on the AV Board.




1	AV board cable
---	----------------

6. Remove the AV board (see [Removing the Audio Video \(AV\) Board](#)).
 7. Remove the system board (see [Removing the System Board](#)).
 8. Remove the display panel (see [Removing the Display Panel](#)).
 9. Make note of the AV board cable routing and release the cable from the securing tapes.
 10. Remove the AV board cable from the routing guide.
-

Replacing the Audio Video (AV) Board Cable

1. Follow the instructions in [Before You Begin](#).
2. Route the AV board cable through the routing guide and secure it with the tapes.
3. Replace the system board (see [Replacing the System Board](#)).
4. Replace the display panel (see [Replacing the Display Panel](#)).

-
5. Replace the AV board (see [Replacing the Audio Video \(AV\) Board](#)).
 6. Connect the AV board cable to the connector on the AV board.
 7. Replace the AV board shield (see [Replacing the Audio Video \(AV\) Board Shield](#)).
 8. Follow the instructions from [step 4](#) to [step 5](#) in [Replacing the Front Stand](#).
 9. Replace the back cover (see [Replacing the Back Cover](#)).

 **CAUTION:** Before turning on the computer, replace all screws and ensure that no stray screws remain inside the computer. Failure to do so may result in damage to the computer.

10. Connect your computer and all attached devices to electrical outlets, and turn them on.
-

[Back to Contents Page](#)

Audio Video Button Board

Dell™ Inspiron™ One 2305/2310 Service Manual

- [Removing the Audio Video \(AV\) Button Board](#)
- [Replacing the Audio Video \(AV\) Button Board](#)

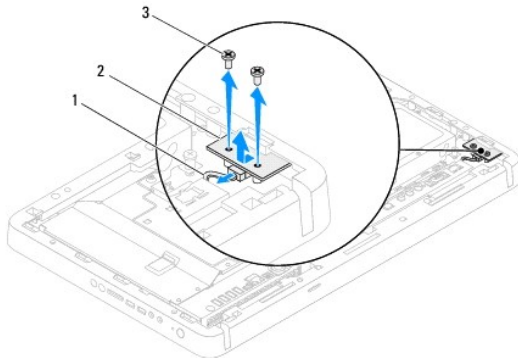
WARNING: Before working inside your computer, read the safety information that shipped with your computer. For additional safety best practices information, see the Regulatory Compliance Homepage at www.dell.com/regulatory_compliance.

CAUTION: Only a certified service technician should perform repairs on your computer. Damage due to servicing that is not authorized by Dell™ is not covered by your warranty.

CAUTION: To avoid electrostatic discharge, ground yourself by using a wrist grounding strap or by periodically touching an unpainted metal surface (such as a connector on your computer).

Removing the Audio Video (AV) Button Board

1. Follow the instructions in [Before You Begin](#).
2. Remove the back cover (see [Removing the Back Cover](#)).
3. Follow the instructions from [step 2](#) to [step 5](#) in [Removing the Front Stand](#).
4. Disconnect the AV button board cable from the connector on the AV button board.
5. Remove the two screws that secure the AV button board to the chassis.
6. Carefully slide and lift the AV button board away from the computer.




1	AV button board cable	2	AV button board
3	screws (2)		

Replacing the Audio Video (AV) Button Board

1. Follow the instructions in [Before You Begin](#).
2. Gently slide the AV button board into the slot on the middle frame.
3. Align the screw holes on the AV button board with the screw holes on the chassis
4. Replace the two screws that secure the AV button board to the chassis.
5. Connect the AV button board cable to the connector on the AV button board.
6. Follow the instructions from [step 4](#) to [step 5](#) in [Replacing the Front Stand](#).

7. Replace the back cover (see [Replacing the Back Cover](#)).

 **CAUTION:** Before turning on the computer, replace all screws and ensure that no stray screws remain inside the computer. Failure to do so may result in damage to the computer.

8. Connect your computer and all attached devices to electrical outlets, and turn them on.
-

[Back to Contents Page](#)

Back Cover

Dell™ Inspiron™ One 2305/2310 Service Manual

- [Removing the Back Cover](#)
- [Replacing the Back Cover](#)

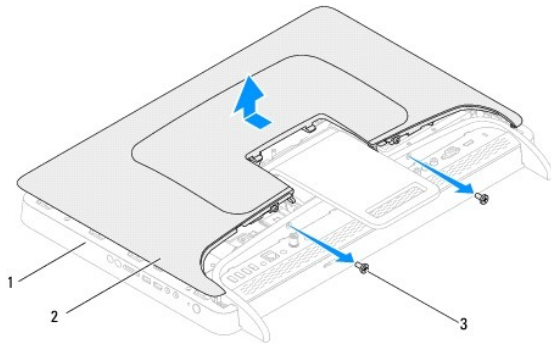
- WARNING:** Before working inside your computer, read the safety information that shipped with your computer. For additional safety best practices information, see the Regulatory Compliance Homepage at www.dell.com/regulatory_compliance.
- CAUTION:** Only a certified service technician should perform repairs on your computer. Damage due to servicing that is not authorized by Dell™ is not covered by your warranty.
- CAUTION:** To avoid electrostatic discharge, ground yourself by using a wrist grounding strap or by periodically touching an unpainted metal surface (such as a connector on your computer).
- CAUTION:** Ensure that sufficient space exists to support the computer with the computer cover removed—at least 30 cm (1 ft.) of desk top space.
-

Removing the Back Cover

1. Follow the instructions in [Before You Begin](#).

CAUTION: Before opening your computer, ensure that you place the computer on a soft cloth or clean surface to avoid any scratches on the display.

2. Place the computer face down on a flat surface.
3. Remove the two screws that secure the back cover to the computer.
4. Slide and lift the back cover off the computer.
5. Place the back cover in a secure location.



1	middle frame	2	back cover
3	screws (2)		

Replacing the Back Cover

1. Follow the instructions in [Before You Begin](#).
2. Align the tabs on the back cover with the slots on the middle frame and then slide the back cover into place.
3. Replace the two screws that secure the back cover to the computer.
4. Place the computer in an upright position.

△ **CAUTION:** Before turning on the computer, replace all screws and ensure that no stray screws remain inside the computer. Failure to do so may result in damage to the computer.

5. Connect your computer and all attached devices to electrical outlets, and turn them on.

[Back to Contents Page](#)

[Back to Contents Page](#)

B-CAS Card (Optional)

Dell™ Inspiron™ One 2305/2310 Service Manual

- [Removing the B-CAS Card](#)
- [Replacing the B-CAS Card](#)

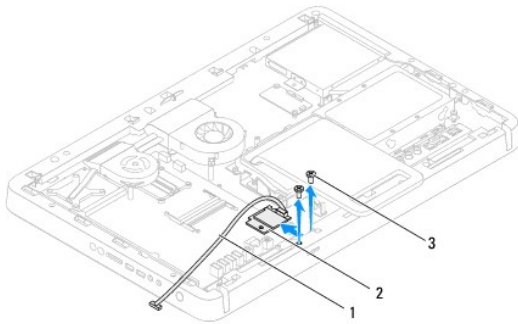
WARNING: Before working inside your computer, read the safety information that shipped with your computer. For additional safety best practices information, see the Regulatory Compliance Homepage at www.dell.com/regulatory_compliance.

CAUTION: Only a certified service technician should perform repairs on your computer. Damage due to servicing that is not authorized by Dell™ is not covered by your warranty.

CAUTION: To avoid electrostatic discharge, ground yourself by using a wrist grounding strap or by periodically touching an unpainted metal surface (such as a connector on your computer).

Removing the B-CAS Card

1. Follow the instructions in [Before You Begin](#).
2. Remove the back cover (see [Removing the Back Cover](#)).
3. Follow the instructions from [step 2](#) to [step 5](#) in [Removing the Front Stand](#).
4. Remove the system-board shield (see [Removing the System-Board Shield](#)).
5. Remove the two screws that secure the B-CAS card to the chassis.
6. Carefully slide the B-CAS card out of the B-CAS card location.
7. Disconnect the B-CAS-card cable from the connector on the TV tuner card.
8. Lift the B-CAS card away from the computer.




1	B-CAS-card cable	2	B-CAS card
3	screws (2)		

Replacing the B-CAS Card

1. Follow the instructions in [Before You Begin](#).
2. Connect the B-CAS-card cable to the connector on the TV tuner card.
3. Carefully slide the B-CAS card into the B-CAS card location.
4. Align the screw holes on the B-CAS card with the screw holes on the chassis.
5. Replace the two screws that secure the B-CAS card to the chassis.

6. Replace the system-board shield (see [Removing the System-Board Shield](#)).
7. Follow the instructions from [step 4](#) to [step 5](#) in [Replacing the Front Stand](#).
8. Replace the back cover (see [Replacing the Back Cover](#)).

 **CAUTION:** Before turning on the computer, replace all screws and ensure that no stray screws remain inside the computer. Failure to do so may result in damage to the computer.

9. Connect your computer and all attached devices to electrical outlets, and turn them on.
-

[Back to Contents Page](#)

[Back to Contents Page](#)

Before You Begin

Dell™ Inspiron™ One 2305/2310 Service Manual

- [Recommended Tools](#)
- [Turning Off Your Computer](#)
- [Safety Instructions](#)

This manual provides procedures for removing and installing the components in your computer. Unless otherwise noted, each procedure assumes that the following conditions exist:


- 1 You have performed the steps in [Turning Off Your Computer](#) and [Safety Instructions](#).
- 1 You have read the safety information that shipped with your computer.
- 1 A component can be replaced or—if purchased separately—installed by performing the removal procedure in reverse order.


Recommended Tools

The procedures in this document may require the following tools:

- 1 Small Phillips screwdriver
- 1 Hex nut driver
- 1 Flash BIOS executable update program available at support.dell.com







Turning Off Your Computer

 **CAUTION:** To avoid losing data, save and close all open files and exit all open programs before you turn off your computer.

1. Save and close all open files and exit all open programs.
2. To shut down the operating system, click **Start**  and then click **Shut Down**.
3. Ensure that the computer is turned off. If your computer did not automatically turn off when you shut down the operating system, press and hold the power button until the computer turns off.


Safety Instructions

Use the following safety guidelines to help protect your computer from potential damage and to help to ensure your own personal safety.

-  **WARNING:** Before working inside your computer, read the safety information that shipped with your computer. For additional safety best practices information, see the Regulatory Compliance Homepage at www.dell.com/regulatory_compliance.
-  **WARNING:** Disconnect all power sources before opening the enclosure to replace, remove, or install accessories. After the installation is completed, the enclosure must be replaced and all fasteners installed before connecting to the power source.
-  **CAUTION:** Only a certified service technician is authorized to remove the computer cover and access any of the components inside the computer. See the safety instructions for complete information about safety precautions, working inside your computer, and protecting against electrostatic discharge.
-  **CAUTION:** To avoid electrostatic discharge, ground yourself by using a wrist grounding strap or by periodically touching an unpainted metal surface (such as a connector on your computer).
-  **CAUTION:** When you disconnect a cable, pull on its connector or on its pull-tab, not on the cable itself. Some cables have connectors with locking tabs; if you are disconnecting this type of cable, press in on the locking tabs before you disconnect the cable. As you pull connectors apart, keep them evenly aligned to avoid bending any connector pins. Also, before you connect a cable, ensure that both connectors are correctly oriented and aligned.
-  **CAUTION:** To avoid damaging the computer, perform the following steps before you begin working inside the computer.
 1. Ensure that the work surface is flat and clean to prevent the computer display from being scratched.
 2. Turn off your computer (see [Turning Off Your Computer](#)) and all attached devices.

 **CAUTION:** To disconnect a network cable, first unplug the cable from your computer and then unplug the cable from the network device.

3. Disconnect all telephone or network cables from the computer.
4. Disconnect your computer and all attached devices from their electrical outlets.
5. Disconnect all attached devices from your computer.
6. Press and hold the power button while the computer is unplugged to ground the system board.

 **CAUTION:** Before touching anything inside your computer, ground yourself by touching an unpainted metal surface, such as the metal at the back of the computer. While you work, periodically touch an unpainted metal surface to dissipate static electricity, which could harm internal components.


[Back to Contents Page](#)

Flashing the BIOS

Dell™ Inspiron™ One 2305/2310 Service Manual

The BIOS may require flashing when an update is available or when replacing the system board. To flash the BIOS:

1. Turn on the computer.
2. Go to support.dell.com/support/downloads.
3. Locate the BIOS update file for your computer:


 **NOTE:** The Service Tag for your computer is located on a label at the back of your computer.

If you have your computer's Service Tag:

- a. Click **Enter a Service Tag**.
- b. Enter your computer's Service Tag in the **Enter a service tag:** field, click **Go**, and proceed to [step 4](#).

If you do not have your computer's Service Tag:

- a. Click **Select Model**.
- b. Select the type of product in the **Select Your Product Family** list.
- c. Select the product brand in the **Select Your Product Line** list.
- d. Select the product model number in the **Select Your Product Model** list.

 **NOTE:** If you have selected a different model and want to start over again, click **Start Over** on the top right of the menu.

- e. Click **Confirm**.
4. A list of results appear on the screen. Click **BIOS**.
5. Click **Download Now** to download the latest BIOS file.
The **File Download** window appears.
6. Click **Save** to save the file on your desktop. The file downloads to your desktop.
7. Click **Close** if the **Download Complete** window appears.
The file icon appears on your desktop and is titled the same as the downloaded BIOS update file.
8. Double-click the file icon on the desktop and follow the instructions on the screen.

Internal Card With Bluetooth® Wireless Technology

Dell™ Inspiron™ One 2305/2310 Service Manual

- [Removing the Bluetooth Card](#)
- [Replacing the Bluetooth Card](#)

WARNING: Before working inside your computer, read the safety information that shipped with your computer. For additional safety best practices information, see the Regulatory Compliance Homepage at www.dell.com/regulatory_compliance.

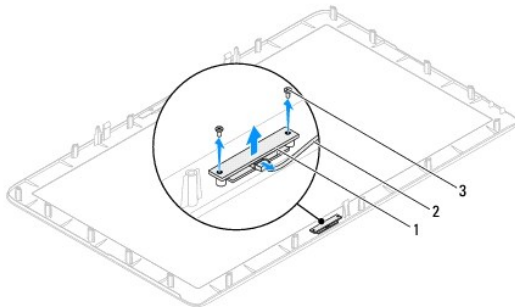
CAUTION: Only a certified service technician should perform repairs on your computer. Damage due to servicing that is not authorized by Dell™ is not covered by your warranty.

CAUTION: To avoid electrostatic discharge, ground yourself by using a wrist grounding strap or by periodically touching an unpainted metal surface (such as a connector on your computer).

If you ordered a card with Bluetooth wireless technology with your computer, it is already installed.

Removing the Bluetooth Card

1. Follow the instructions in [Before You Begin](#).
2. Remove the system board (see [Removing the System Board](#)).
3. Follow the instructions from [step 5](#) to [step 11](#) in [Removing the Display Bezel](#).
4. Turn the display bezel over.
5. Remove the mylar sleeve from the Bluetooth card.
6. Remove the two screws that secure the Bluetooth card to the display bezel.
7. Disconnect the Bluetooth-card cable from the connector on the Bluetooth card.
8. Lift the Bluetooth card away from the display bezel.




1	Bluetooth card	2	Bluetooth-card cable
3	screws (2)		

Replacing the Bluetooth Card

1. Follow the instructions in [Before You Begin](#).
2. Connect the Bluetooth-card cable to the connector on the Bluetooth card.
3. Align the screw holes on the Bluetooth card with the screw holes on the display bezel.
4. Replace the two screws that secure the Bluetooth card to the display bezel.

5. Turn the display bezel over.
6. Follow the instructions from [step 2](#) to [step 12](#) in [Replacing the Display Bezel](#).
7. Replace the system board (See [Replacing the System Board](#)).

 **CAUTION:** Before turning on the computer, replace all screws and ensure that no stray screws remain inside the computer. Failure to do so may result in damage to the computer.

8. Connect your computer and all attached devices to electrical outlets, and turn them on.
-

[Back to Contents Page](#)

[Back to Contents Page](#)

Camera Module

Dell™ Inspiron™ One 2305/2310 Service Manual

- [Removing the Camera Module](#)
- [Replacing the Camera Module](#)

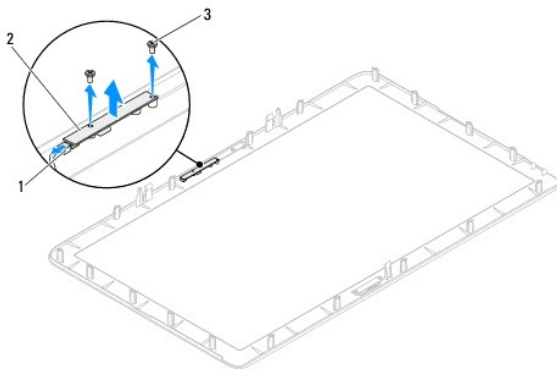
WARNING: Before working inside your computer, read the safety information that shipped with your computer. For additional safety best practices information, see the Regulatory Compliance Homepage at www.dell.com/regulatory_compliance.

CAUTION: Only a certified service technician should perform repairs on your computer. Damage due to servicing that is not authorized by Dell™ is not covered by your warranty.

CAUTION: To avoid electrostatic discharge, ground yourself by using a wrist grounding strap or by periodically touching an unpainted metal surface (such as a connector on your computer).

Removing the Camera Module

1. Follow the instructions in [Before You Begin](#).
2. Remove the system board (see [Removing the System Board](#)).
3. Follow the instructions from [step 5](#) to [step 11](#) in [Removing the Display Bezel](#).
4. Turn the display bezel over.
5. Remove the mylar sleeve from the Bluetooth card.
6. Remove the two screws that secure the camera module to the display bezel.
7. Disconnect the camera cable from the connector on the camera module.
8. Lift the camera module off the display bezel.




1	camera cable connector	2	camera module
3	screws (2)		

Replacing the Camera Module

1. Follow the instructions in [Before You Begin](#).
2. Align the screw holes on the camera module with the screw holes on the display bezel.
3. Replace the two screws that secure the camera module to the display bezel.
4. Replace the mylar sleeve on the Bluetooth card.

5. Turn the display bezel over.
6. Follow the instructions from [step 2](#) to [step 12](#) in [Replacing the Display Bezel](#).
7. Replace the system board (See [Replacing the System Board](#)).

 **CAUTION:** Before turning on the computer, replace all screws and ensure that no stray screws remain inside the computer. Failure to do so may result in damage to the computer.

8. Connect your computer and all attached devices to electrical outlets, and turn them on.
-

[Back to Contents Page](#)

Wireless Mini-Card(s)

Dell™ Inspiron™ One 2305/2310 Service Manual

- [Removing the Mini-Card\(s\)](#)
- [Replacing the Mini-Card\(s\)](#)

WARNING: Before working inside your computer, read the safety information that shipped with your computer. For additional safety best practices information, see the Regulatory Compliance Homepage at www.dell.com/regulatory_compliance.

CAUTION: Only a certified service technician should perform repairs on your computer. Damage due to servicing that is not authorized by Dell™ is not covered by your warranty.

CAUTION: To avoid electrostatic discharge, ground yourself by using a wrist grounding strap or by periodically touching an unpainted metal surface (such as a connector on your computer).

CAUTION: When the Mini-Card is not in the computer, store it in protective antistatic packaging (see "Protecting Against Electrostatic Discharge" in the safety instructions that shipped with your computer).

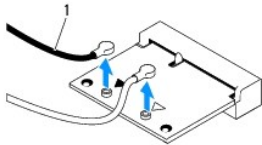
NOTE: Dell does not guarantee compatibility or provide support for Mini-Cards from sources other than Dell.

If you ordered a wireless Mini-Card with your computer, the card is already installed.

Your computer supports two half Mini-Card slots for Wireless Local Area Network (WLAN) and a TV tuner module.

Removing the Mini-Card(s)

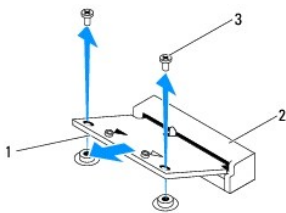
1. Follow the instructions in [Before You Begin](#).
2. Remove the back cover (see [Removing the Back Cover](#)).
3. Follow the instructions from [step 2](#) to [step 5](#) in [Removing the Front Stand](#).
4. Remove the system-board shield (see [Removing the System-Board Shield](#)).
5. Disconnect the antenna cable(s) from the Mini-Card.



1	antenna cables (2)
---	--------------------

6. Remove the two screws that secure the Mini-Card to the system-board connector.
7. Lift the Mini-Card away from the system-board connector.

CAUTION: When the Mini-Card is not in the computer, store it in protective antistatic packaging (see "Protecting Against Electrostatic Discharge" in the safety instructions that shipped with your computer).



1	Mini-Card	2	system board connector
3	screws (2)		

Replacing the Mini-Card(s)

⚠ CAUTION: The connectors are keyed to ensure correct insertion. Use of excessive force may damage the connectors.

⚠ CAUTION: To avoid damage to the Mini-Card, ensure that there are no cables or antenna cables under the Mini-Card.

1. Follow the instructions in [Before You Begin](#).
2. Align the notch on the Mini-Card with the tab in the system-board connector.
3. Insert the Mini-Card at a 45-degree angle into the system-board connector.
4. Press the other end of the Mini-Card down and replace the two screws that secure the Mini-Card to the system-board connector.
5. Connect the appropriate antenna cable(s) to the Mini-Card you are installing. The following table provides the antenna cable color scheme for the Mini-Card(s) supported by your computer.

Connectors on the Mini-Card	Antenna Cable Color Scheme
WLAN (2 antenna cables)	
Main WLAN (white triangle)	white
Auxiliary WLAN (black triangle)	black
TV tuner (1 antenna cable)	black

6. Replace the system-board shield (see [Replacing the System-Board Shield](#)).
7. Follow the instructions from [step 4](#) to [step 5](#) in [Replacing the Front Stand](#).
8. Replace the back cover (see [Replacing the Back Cover](#)).

⚠ CAUTION: Before turning on the computer, replace all screws and ensure that no stray screws remain inside the computer. Failure to do so may result in damage to the computer.

9. Connect your computer and all attached devices to electrical outlets, and turn them on.

[Back to Contents Page](#)

Coin-Cell Battery

Dell™ Inspiron™ One 2305/2310 Service Manual

- [Removing the Coin-Cell Battery](#)
- [Replacing the Coin-Cell Battery](#)

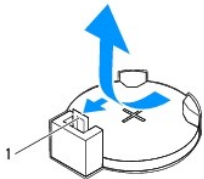
- ⚠ **WARNING:** Before working inside your computer, read the safety information that shipped with your computer. For additional safety best practices information, see the Regulatory Compliance Homepage at www.dell.com/regulatory_compliance.
 - ⚠ **WARNING:** A new battery can explode if it is incorrectly installed. Replace the battery only with the same or equivalent type recommended by the manufacturer. Discard used batteries according to the manufacturer's instructions.
 - ⚠ **CAUTION:** Only a certified service technician should perform repairs on your computer. Damage due to servicing that is not authorized by Dell™ is not covered by your warranty.
 - ⚠ **CAUTION:** To avoid electrostatic discharge, ground yourself by using a wrist grounding strap or by periodically touching an unpainted metal surface (such as a connector on your computer).
-

Removing the Coin-Cell Battery

1. Record all the screens in system setup utility (see [System Setup Utility](#)) so that you can restore the correct settings in [step 7](#).
2. Follow the instructions in [Before You Begin](#).
3. Remove the back cover (see [Removing the Back Cover](#)).
4. Follow the instructions from [step 2](#) to [step 5](#) in [Removing the Front Stand](#).
5. Remove the system-board shield (see [Removing the System-Board Shield](#)).
6. Locate the battery socket (see [System Board Components](#)).

- ⚠ **CAUTION:** If you pry the battery out of its socket with a blunt object, be careful not to touch the system board with the object. Ensure that the object is inserted between the battery and the socket before you attempt to pry out the battery. Otherwise, you may damage the system board by prying off the socket or by breaking circuit traces on the system board.

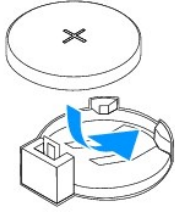
7. Press the battery release lever to remove the battery.



1	battery release lever
---	-----------------------

Replacing the Coin-Cell Battery

1. Follow the instructions in [Before You Begin](#).
2. Insert the new battery (CR2032) into the socket with the side labeled "+" facing up, and press the battery into place.



3. Replace the system-board shield (see [Replacing the System-Board Shield](#)).
4. Follow the instructions from [step 4](#) to [step 5](#) in [Replacing the Front Stand](#).
5. Replace the back cover (see [Replacing the Back Cover](#)).

⚠ CAUTION: Before turning on the computer, replace all screws and ensure that no stray screws remain inside the computer. Failure to do so may result in damage to the computer.

6. Connect your computer and devices to electrical outlets, and then turn them on.
7. Enter the system setup utility (see [System Setup Utility](#)) and restore the settings you recorded in [step 1](#).

[Back to Contents Page](#)

Display

Dell™ Inspiron™ One 2305/2310 Service Manual

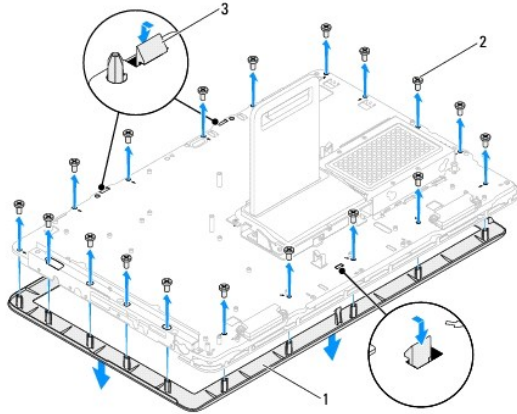
- [Display Bezel](#)
- [Display Panel](#)
- [Display Cable](#)

-  **WARNING:** Before working inside your computer, read the safety information that shipped with your computer. For additional safety best practices information, see the Regulatory Compliance Homepage at www.dell.com/regulatory_compliance.
-  **CAUTION:** Only a certified service technician should perform repairs on your computer. Damage due to servicing that is not authorized by Dell™ is not covered by your warranty.
-  **CAUTION:** To avoid electrostatic discharge, ground yourself by using a wrist grounding strap or by periodically touching an unpainted metal surface (such as a connector on your computer).
-

Display Bezel

Removing the Display Bezel

1. Follow the instructions in [Before You Begin](#).
2. Remove the AV board (see [Removing the Audio Video \(AV\) Board](#)).
3. Remove the middle frame (see [Removing the Middle Frame](#)).
4. Remove the system board (see [Removing the System Board](#)).
5. Remove the 18 screws that secure the display bezel to the chassis.
6. Carefully peel the silver foil that adheres the camera module to the chassis.
7. Make a note of the camera cable, infrared-card cable, and Bluetooth®-card cable routing and release the cables through the slots on the chassis.
8. Release the three tabs that secure the display bezel to the chassis.
9. Turn the computer over.
10. Using your fingertips, carefully pry up the inside edge of the display bezel.
11. Lift the display bezel away from the computer.
12. Remove the camera module (see [Removing the Camera Module](#)).
13. Remove the infrared card (see [Removing the Infrared Card](#)).
14. Remove the Bluetooth card (see [Removing the Bluetooth Card](#)).



1	display bezel	2	screws (18)
3	tabs (3)		

Replacing the Display Bezel

1. Follow the instructions in [Before You Begin](#).
2. Replace the Bluetooth card (see).
3. Replace the infrared card (see [Replacing the Infrared Card](#)).
4. Replace the camera module (see [Replacing the Camera Module](#)).
5. Slide the camera cable, infrared cable, and Bluetooth cable through the slots on the chassis.
6. Align the display bezel over the display and gently snap the display bezel into place.
7. Turn the computer over.
8. Ensure that the three tabs on the display bezel are secured to the slots on the chassis.
9. Route the camera cable, infrared cable, and Bluetooth cable through the routing guides.
10. Adhere the silver foil that secures the camera module to the chassis.
11. Replace the 18 screws that secure the display bezel to the chassis.
12. Replace the middle frame (See [Replacing the Middle Frame](#)).
13. Replace the system board (See [Replacing the System Board](#)).
14. Replace the AV board (See [Replacing the Audio Video \(AV\) Board](#)).


CAUTION: Before turning on the computer, replace all screws and ensure that no stray screws remain inside the computer. Failure to do so may result in damage to the computer.

15. Connect your computer and all attached devices to electrical outlets, and turn them on.

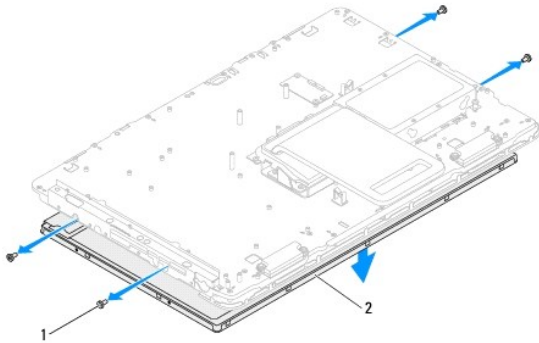
Display Panel

Removing the Display Panel

1. Follow the instructions in [Before You Begin](#).
2. Follow the instructions from [step 4](#) to [step 11](#) in [Removing the Display Bezel](#).
3. Remove the four screws that secure the display panel to the chassis.

 **NOTE:** The number of screws that secure the display panel to the chassis may vary.


4. Remove the display cables, touch screen cables, and display panel power cable from the routing guides on the chassis.
5. Remove the display panel off the chassis.



1	screws (4)	2	display panel
---	------------	---	---------------

Replacing the Display Panel

1. Follow the instructions in [Before You Begin](#).
2. Route the display cables, touch screen cables, and display panel power cable through the routing guides on the chassis.
3. Align the screw holes on the display panel with the screw holes on the chassis and replace the four screws.
4. Follow the instructions from [step 2](#) to [step 13](#) in [Replacing the Display Bezel](#).

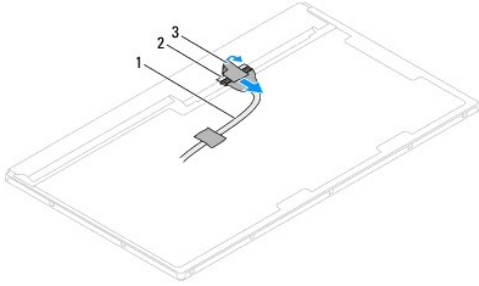
 **CAUTION:** Before turning on the computer, replace all screws and ensure that no stray screws remain inside the computer. Failure to do so may result in damage to the computer.

5. Connect your computer and all attached devices to electrical outlets, and turn them on.

Display Cable

Removing the Display Cable

1. Follow the instructions in [Before You Begin](#).
2. Remove the display panel (see [Removing the Display Panel](#)).
3. Turn the display panel over.
4. Using the pull tab on the display cable, disconnect the display cable from the connector on the display panel.



1	display cable	2	display cable connector
3	pull tab		

Replacing the Display Cable

1. Follow the instructions in [Before You Begin](#).
2. Connect the display cable to the connector on the display panel.
3. Turn the display panel over.
4. Replace the display panel (see [Replacing the Display Panel](#)).

CAUTION: Before turning on the computer, replace all screws and ensure that no stray screws remain inside the computer. Failure to do so may result in damage to the computer.

5. Connect your computer and all attached devices to electrical outlets, and turn them on.

[Back to Contents Page](#)

Display Bezel

Dell™ Inspiron™ One 2305/2310 Service Manual

- [Removing the Display Bezel](#)
- [Replacing the Display Bezel](#)

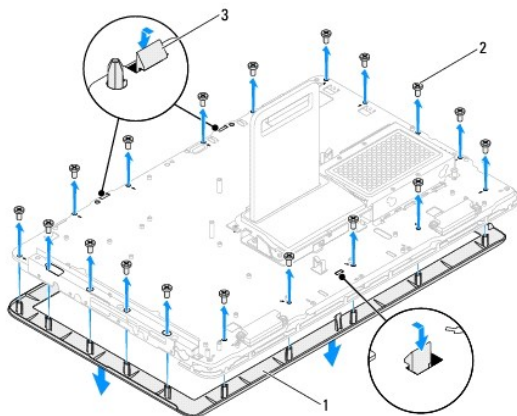
WARNING: Before working inside your computer, read the safety information that shipped with your computer. For additional safety best practices information, see the Regulatory Compliance Homepage at www.dell.com/regulatory_compliance.

CAUTION: Only a certified service technician should perform repairs on your computer. Damage due to servicing that is not authorized by Dell™ is not covered by your warranty.

CAUTION: To avoid electrostatic discharge, ground yourself by using a wrist grounding strap or by periodically touching an unpainted metal surface (such as a connector on your computer).

Removing the Display Bezel


1. Follow the instructions in [Before You Begin](#).
2. Remove the AV board (See [Removing the Audio Video \(AV\) Board](#)).
3. Remove the middle frame (See [Removing the Middle Frame](#)).
4. Remove the system board (See [Removing the System Board](#)).
5. Remove the 18 screws that secure the display bezel to the chassis.
6. Carefully peel the silver foil that connects the camera module to the chassis from the chassis.
7. Make a note of the camera cable, infrared card cable, and Bluetooth card cable routing and release the cables through the slots on the chassis.
8. Release the three tabs that secure the display bezel to the chassis.
9. Turn the computer over.
10. Using your fingertips, carefully pry up the inside edge of the display bezel.
11. Lift the display bezel away from the computer.
12. Remove the camera (See [Removing the Camera Module](#)).
13. Remove the infrared card (See [Removing the Infrared Card](#)).
14. Remove the Bluetooth card (See [Removing the Bluetooth Card](#)).



1	display bezel	2	screws (18)
3	tabs (3)		

Replacing the Display Bezel

1. Follow the instructions in [Before You Begin](#).
2. Replace the Bluetooth card (See [Replacing the Bluetooth Card](#)).
3. Replace the infrared card (See [Replacing the Infrared Card](#)).
4. Replace the camera (See [Replacing the Camera Module](#)).
5. Slide the camera cable, infrared cable, and Bluetooth cable through the slots on the chassis.
6. Align the display bezel over the display and gently snap the display bezel into place.
7. Turn the computer over.
8. Ensure that the three tabs on the display bezel are secured to the slots on the chassis.
9. Route the camera cable, infrared cable, and Bluetooth card cable through the routing guides.
10. Secure the silver foil that connects the camera module to the chassis.
11. Replace the 18 screws that secure the display bezel to the chassis.
12. Replace the middle frame (See [Replacing the Display Bezel](#)).
13. Replace the system board (See [Replacing the System Board](#)).
14. Replace the AV board (See [Replacing the Audio Video \(AV\) Board](#)).

 **CAUTION:** Before turning on the computer, replace all screws and ensure that no stray screws remain inside the computer. Failure to do so may result in damage to the computer.

15. Connect your computer and all attached devices to electrical outlets, and turn them on.

[Back to Contents Page](#)

Touch Screen Control Card (Optional)

Dell™ Inspiron™ One 2305/2310 Service Manual

- [Removing the Touch Screen Control Card](#)
- [Replacing the Touch Screen Control Card](#)

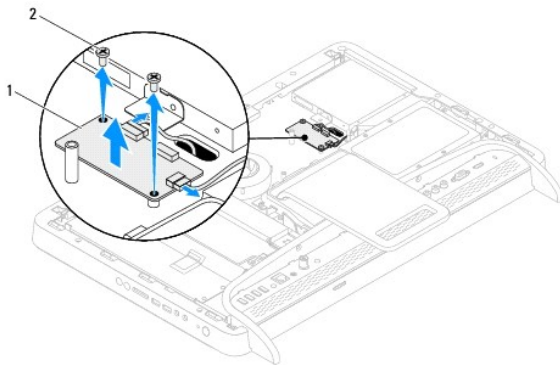
WARNING: Before working inside your computer, read the safety information that shipped with your computer. For additional safety best practices information, see the Regulatory Compliance Homepage at www.dell.com/regulatory_compliance.

CAUTION: Only a certified service technician should perform repairs on your computer. Damage due to servicing that is not authorized by Dell™ is not covered by your warranty.

CAUTION: To avoid electrostatic discharge, ground yourself by using a wrist grounding strap or by periodically touching an unpainted metal surface (such as a connector on your computer).

Removing the Touch Screen Control Card

1. Follow the instructions in [Before You Begin](#).
2. Remove the back cover (see [Removing the Back Cover](#)).
3. Remove the two screws that secure the touch screen control card to the chassis.
4. Disconnect the cables from the connectors on the touch screen control card.
5. Lift the touch screen control card away from the chassis.



1	touch screen control card	2	screws (2)
---	---------------------------	---	------------

Replacing the Touch Screen Control Card

1. Follow the instructions in [Before You Begin](#).
2. Align the screw holes on the touch screen control card with the screw holes on the chassis.
3. Replace the two screws that secure the touch screen control card to the chassis.
4. Connect the cables to the connectors on the touch screen control card.
5. Replace the back cover (see [Replacing the Back Cover](#)).

CAUTION: Before turning on the computer, replace all screws and ensure that no stray screws remain inside the computer. Failure to do so may result in damage to the computer.

6. Connect your computer and all attached devices to electrical outlets, and turn them on.

[Back to Contents Page](#)

Front Stand

Dell™ Inspiron™ One 2305/2310 Service Manual

- [Removing the Front Stand](#)
- [Replacing the Front Stand](#)

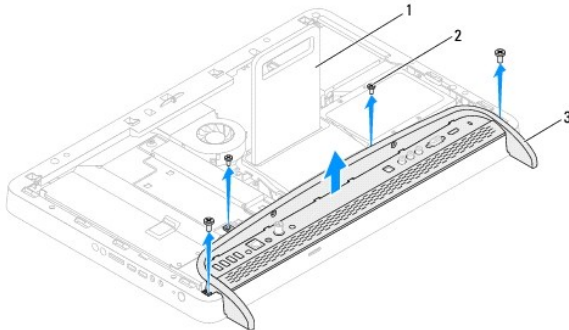
WARNING: Before working inside your computer, read the safety information that shipped with your computer. For additional safety best practices information, see the Regulatory Compliance Homepage at www.dell.com/regulatory_compliance.

CAUTION: Only a certified service technician should perform repairs on your computer. Damage due to servicing that is not authorized by Dell™ is not covered by your warranty.

CAUTION: To avoid electrostatic discharge, ground yourself by using a wrist grounding strap or by periodically touching an unpainted metal surface (such as a connector on your computer).

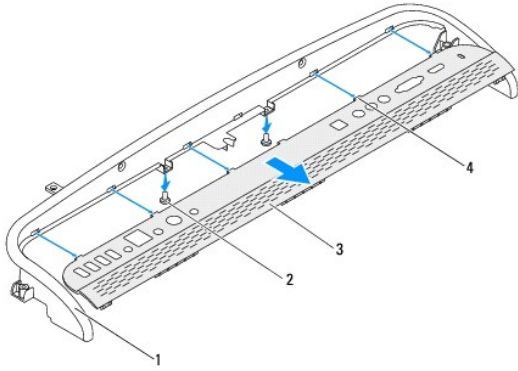
Removing the Front Stand

1. Follow the instructions in [Before You Begin](#).
2. Remove the back cover (see [Removing the Back Cover](#)).
3. Remove the four screws that secure the front-stand assembly to the computer.
4. Lift the rear stand so that the front stand is accessible.
5. Lift the front-stand assembly away from the computer.



1	rear stand	2	screws (4)
3	front-stand assembly		

6. Remove the two screws that secure the I/O bracket to the front stand.
7. Release the five tabs that secure the I/O bracket to the front stand.
8. Remove the I/O bracket from the front stand.



1	front stand	2	screws (2)
3	I/O bracket	4	tabs (5)

Replacing the Front Stand

1. Follow the instructions in [Before You Begin](#).
2. Slide the five tabs on the I/O bracket into the slots on the front stand.
3. Replace the two screws that secure the I/O bracket to the front stand.
4. Align the screw holes on the front-stand assembly with the screw holes on the computer.
5. Replace the four screws that secure the front-stand assembly to the computer.
6. Replace the back cover (see [Replacing the Back Cover](#)).

⚠ CAUTION: Before turning on the computer, replace all screws and ensure that no stray screws remain inside the computer. Failure to do so may result in damage to the computer.

7. Connect your computer and all attached devices to electrical outlets, and turn them on.

[Back to Contents Page](#)

Hard Drive

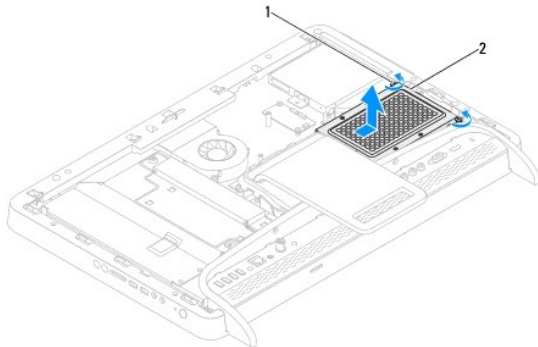
Dell™ Inspiron™ One 2305/2310 Service Manual

- [Removing the Hard Drive](#)
- [Replacing the Hard Drive](#)

- ⚠ **WARNING:** Before working inside your computer, read the safety information that shipped with your computer. For additional safety best practices information, see the Regulatory Compliance Homepage at www.dell.com/regulatory_compliance.
 - ⚠ **WARNING:** If you remove the hard drive from the computer when the drive is hot, do not touch the metal housing of the hard drive.
 - ⚠ **CAUTION:** Only a certified service technician should perform repairs on your computer. Damage due to servicing that is not authorized by Dell™ is not covered by your warranty.
 - ⚠ **CAUTION:** To avoid electrostatic discharge, ground yourself by using a wrist grounding strap or by periodically touching an unpainted metal surface (such as a connector on your computer).
 - ⚠ **CAUTION:** To prevent data loss, turn off your computer (see [Turning Off Your Computer](#)) before removing the hard drive. Do not remove the hard drive while the computer is On or in Sleep state.
 - ⚠ **CAUTION:** Hard drives are extremely fragile. Exercise care when handling the hard drive.
 - 🔧 **NOTE:** Dell does not guarantee compatibility or provide support for hard drives from sources other than Dell.
 - 🔧 **NOTE:** If you are installing a hard drive from a source other than Dell, you need to install an operating system, drivers, and utilities on the new hard drive.
-

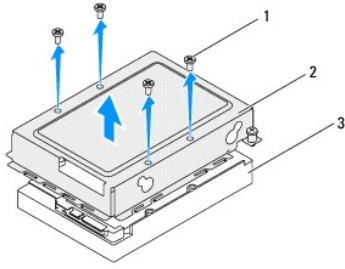
Removing the Hard Drive

1. Follow the instructions in [Before You Begin](#).
2. Remove the back cover (see [Removing the Back Cover](#)).
3. Loosen the two captive screws that secure the hard-drive assembly to the chassis.
4. Slide and lift the hard-drive assembly and then disconnect the power and data cables from the connectors on the hard drive.



1	captive screws (2)	2	hard-drive assembly
---	--------------------	---	---------------------

5. Remove the four screws that secure the hard-drive cage to the hard drive.
6. Lift the hard-drive cage away from the hard drive.



1	screws (4)	2	hard-drive cage
3	hard drive		

Replacing the Hard Drive

1. Follow the instructions in [Before You Begin](#).
2. Place the hard-drive cage on the hard drive, and align the screw holes on the hard-drive cage with the screw holes on the hard drive.
3. Replace the four screws that secure the hard-drive cage to the hard drive.
4. Connect the power and data cables to the connectors on the hard drive.
5. Place the hard-drive assembly on the chassis and slide the hard-drive assembly into place.
6. Tighten the two captive screws that secure the hard-drive assembly to the chassis.
7. Replace the back cover (see [Replacing the Back Cover](#)).

⚠ CAUTION: Before turning on the computer, replace all screws and ensure that no stray screws remain inside the computer. Failure to do so may result in damage to the computer.

8. Connect your computer and all attached devices to electrical outlets, and turn them on.

[Back to Contents Page](#)

Processor Heat-Sink

Dell™ Inspiron™ One 2305/2310 Service Manual

- [Removing the Processor Heat Sink](#)
- [Replacing the Processor Heat Sink](#)

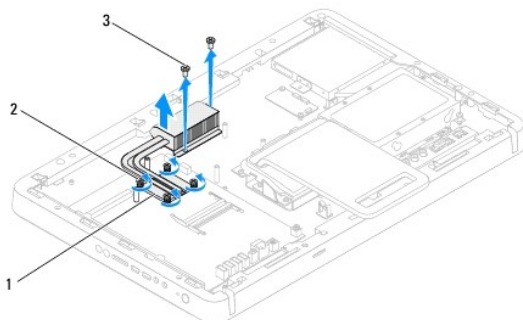
- WARNING:** Before working inside your computer, read the safety information that shipped with your computer. For additional safety best practices information, see the Regulatory Compliance Homepage at www.dell.com/regulatory_compliance.
- WARNING:** The heat sink may be very hot during normal operation. Ensure that it has had sufficient time to cool before you touch it.
- CAUTION:** Only a certified service technician should perform repairs on your computer. Damage due to servicing that is not authorized by Dell™ is not covered by your warranty.
- CAUTION:** To avoid electrostatic discharge, ground yourself by using a wrist grounding strap or by periodically touching an unpainted metal surface (such as a connector on your computer).
-

Removing the Processor Heat Sink

- CAUTION:** To ensure maximum cooling for the processor, do not touch the heat transfer areas on the processor heat-sink. The oils in your skin can reduce the heat transfer capability of the thermal grease.


1. Follow the instructions in [Before You Begin](#).
2. Remove the back cover (see [Removing the Back Cover](#)).
3. Follow the instructions from [step 2](#) to [step 5](#) in [Removing the Front Stand](#).
4. Remove the system-board shield (see [Removing the System-Board Shield](#)).
5. Remove the MXM-assembly fan (see [Removing the MXM-Assembly Fan](#)).
6. Remove the MXM assembly (see [Removing the MXM Assembly](#)).
7. Remove the processor heat-sink fan (see [Removing the Processor Heat-Sink Fan](#)).
8. Remove the two screws that secure the processor heat sink to the chassis.
9. In sequential order (indicated on the processor heat sink), loosen the four captive screws that secure the processor heat sink to the system board.
10. Carefully lift the processor heat sink away from the computer.


NOTE: The appearance of the processor heat sink may vary based on your computer model.




1	processor heat sink	2	captive screws (4)
3	screws (2)		

Replacing the Processor Heat Sink

 **CAUTION:** Incorrect alignment of the processor heat sink can cause damage to the system board and processor.

 **NOTE:** The original thermal grease can be reused if the original processor and processor heat sink are reinstalled together. If either the processor or the processor heat sink is replaced, use the thermal grease provided in the kit to ensure that thermal conductivity is achieved.

1. Follow the instructions in [Before You Begin](#).
2. Clean the thermal grease from the bottom of the processor heat sink and reapply it.
3. Align the four captive screws on the processor heat-sink with the screw holes on the system board and tighten the screws in sequential order (indicated on the processor heat sink).
4. Replace the two screws that secure the processor heat-sink to the chassis.
5. Replace the processor heat-sink fan (see [Replacing the Processor Heat-Sink Fan](#)).
6. Replace the MXM assembly (see [Replacing the MXM Assembly](#)).
7. Replace the MXM-assembly fan (see [Replacing the MXM-Assembly Fan](#)).
8. Replace the system-board shield (see [Replacing the System-Board Shield](#)).
9. Follow the instructions from [step 4](#) to [step 5](#) in [Replacing the Front Stand](#).
10. Replace the back cover (see [Replacing the Back Cover](#)).

 **CAUTION:** Before turning on the computer, replace all screws and ensure that no stray screws remain inside the computer. Failure to do so may result in damage to the computer.

11. Connect your computer and all attached devices to electrical outlets, and turn them on.

[Back to Contents Page](#)

Processor Heat-Sink Fan

Dell™ Inspiron™ One 2305/2310 Service Manual

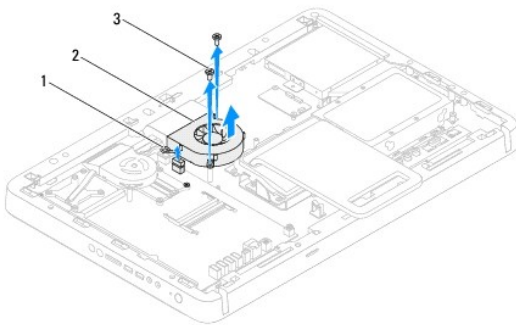
- [Removing the Processor Heat-Sink Fan](#)
- [Replacing the Processor Heat-Sink Fan](#)

- WARNING:** Before working inside your computer, read the safety information that shipped with your computer. For additional safety best practices information, see the Regulatory Compliance Homepage at www.dell.com/regulatory_compliance.
- WARNING:** The heat sink may be very hot during normal operation. Ensure that it has had sufficient time to cool before you touch it.
- CAUTION:** Only a certified service technician should perform repairs on your computer. Damage due to servicing that is not authorized by Dell™ is not covered by your warranty.
- CAUTION:** To avoid electrostatic discharge, ground yourself by using a wrist grounding strap or by periodically touching an unpainted metal surface (such as a connector on your computer).
-

Removing the Processor Heat-Sink Fan

1. Follow the instructions in [Before You Begin](#).
2. Remove the back cover (see [Removing the Back Cover](#)).
3. Follow the instructions from [step 2](#) to [step 5](#) in [Removing the Front Stand](#).
4. Remove the system-board shield (see [Removing the System-Board Shield](#)).
5. Disconnect the processor heat-sink fan cable from the connector (CPU FAN) on the system board.
6. Remove the two screws that secure the processor heat-sink fan to the chassis.
7. Carefully peel the silver foil from the processor heat sink.
8. Lift the processor heat-sink fan along with its cable away from the chassis.

NOTE: The appearance of the system board may vary based on your computer model.




1	processor heat-sink fan cable	2	processor heat-sink fan
3	screws (2)		

Replacing the Processor Heat-Sink Fan

1. Follow the instructions in [Before You Begin](#).
2. Align the screw holes on the processor heat-sink fan with the screw holes on the hex nut screws.
3. Replace the two screws that secure the processor heat-sink fan to the chassis.

4. Adhere the silver foil on the processor heat-sink.
5. Connect the processor heat-sink fan cable to the connector (CPU FAN) on the system board.
6. Replace the system-board shield (see [Replacing the System-Board Shield](#)).
7. Follow the instructions from [step 4](#) to [step 5](#) in [Replacing the Front Stand](#).
8. Replace the back cover (see [Replacing the Back Cover](#)).

 **CAUTION:** Before turning on the computer, replace all screws and ensure that no stray screws remain inside the computer. Failure to do so may result in damage to the computer.

9. Connect your computer and all attached devices to electrical outlets, and turn them on.

[Back to Contents Page](#)

Converter Card

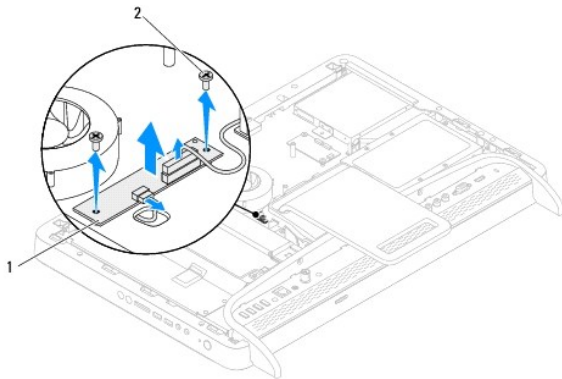
Dell™ Inspiron™ One 2305/2310 Service Manual

- [Removing the Converter Card](#)
- [Replacing the Converter Card](#)

- WARNING:** Before working inside your computer, read the safety information that shipped with your computer. For additional safety best practices information, see the Regulatory Compliance Homepage at www.dell.com/regulatory_compliance.
- CAUTION:** Only a certified service technician should perform repairs on your computer. Damage due to servicing that is not authorized by Dell™ is not covered by your warranty.
- CAUTION:** To avoid electrostatic discharge, ground yourself by using a wrist grounding strap or by periodically touching an unpainted metal surface (such as a connector on your computer).
-

Removing the Converter Card

1. Follow the instructions in [Before You Begin](#).
2. Remove the back cover (see [Removing the Back Cover](#)).
3. Remove the two screws that secure the converter card to the chassis.
4. Disconnect the cables from the connectors on the converter card.
5. Lift the converter card away from the chassis.



1	converter card	2	screws (2)
---	----------------	---	------------

Replacing the Converter Card

1. Follow the instructions in [Before You Begin](#).
2. Align the screw holes on the converter card with the screw holes on the chassis.
3. Connect the cables to the connectors on the converter card.
4. Replace the two screws that secure the converter card to the chassis.
5. Replace the back cover (see [Replacing the Back Cover](#)).

- CAUTION:** Before turning on the computer, replace all screws and ensure that no stray screws remain inside the computer. Failure to do so may result in damage to the computer.

6. Connect your computer and all attached devices to electrical outlets, and turn them on.

[Back to Contents Page](#)

[Back to Contents Page](#)

Infrared Blaster Connector

Dell™ Inspiron™ One 2305/2310 Service Manual

- [Removing the Infrared \(IR\) Blaster Connector](#)
- [Replacing the Infrared \(IR\) Blaster Connector](#)

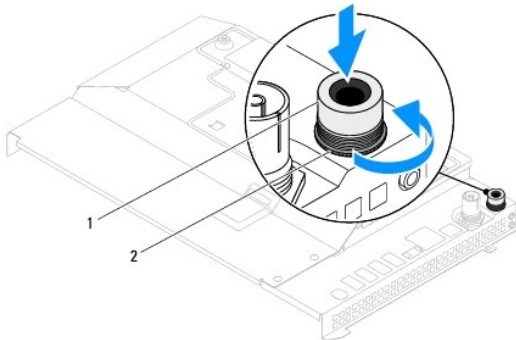
WARNING: Before working inside your computer, read the safety information that shipped with your computer. For additional safety best practices information, see the Regulatory Compliance Homepage at www.dell.com/regulatory_compliance.

CAUTION: Only a certified service technician should perform repairs on your computer. Damage due to servicing that is not authorized by Dell™ is not covered by your warranty.

CAUTION: To avoid electrostatic discharge, ground yourself by using a wrist grounding strap or by periodically touching an unpainted metal surface (such as a connector on your computer).

Removing the Infrared (IR) Blaster Connector

1. Follow the instructions in [Before You Begin](#).
2. Remove the back cover (see [Removing the Back Cover](#)).
3. Follow the instructions from [step 2](#) to [step 5](#) in [Removing the Front Stand](#).
4. Follow the instructions from [step 4](#) to [step 8](#) in [Removing the System-Board Shield](#).
5. Remove the nut that secures the infrared (IR) blaster to the system-board shield.
6. Release the IR blaster connector from the slot on the system-board shield.
7. Lift the IR blaster connector along with its cable away from the system-board shield.



1	IR blaster connector	2	nut
---	----------------------	---	-----

Replacing the Infrared (IR) Blaster Connector

1. Follow the instructions in [Before You Begin](#).
2. Slide the IR blaster connector into the slot on the system-board shield.
3. Replace the nut that secures the IR blaster connector to the system-board shield.
4. Follow the instructions from [step 4](#) to [step 8](#) in [Replacing the System-Board Shield](#).
5. Follow the instructions from [step 4](#) to [step 5](#) in [Replacing the Front Stand](#).
6. Replace the back cover (see [Replacing the Back Cover](#)).

△ **CAUTION:** Before turning on the computer, replace all screws and ensure that no stray screws remain inside the computer. Failure to do so may result in damage to the computer.

7. Connect your computer and all attached devices to electrical outlets, and turn them on.

[Back to Contents Page](#)

Infrared Card

Dell™ Inspiron™ One 2305/2310 Service Manual

- [Removing the Infrared Card](#)
- [Replacing the Infrared Card](#)

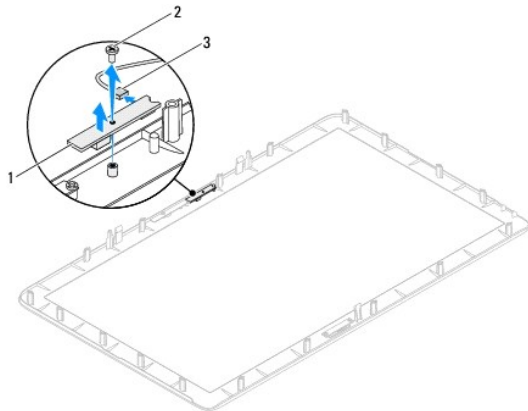
WARNING: Before working inside your computer, read the safety information that shipped with your computer. For additional safety best practices information, see the Regulatory Compliance Homepage at www.dell.com/regulatory_compliance.

CAUTION: Only a certified service technician should perform repairs on your computer. Damage due to servicing that is not authorized by Dell™ is not covered by your warranty.

CAUTION: To avoid electrostatic discharge, ground yourself by using a wrist grounding strap or by periodically touching an unpainted metal surface (such as a connector on your computer).

Removing the Infrared Card

1. Follow the procedures in [Before You Begin](#).
2. Remove the system board (see [Removing the System Board](#)).
3. Follow the instructions from [step 5](#) to [step 11](#) in [Removing the Display Bezel](#).
4. Turn the display bezel over.
5. Remove the screw that secures the infrared card to the display bezel.
6. Disconnect the infrared-card cable from the connector on the infrared card.
7. Lift the infrared card away from the display bezel.




1	infrared card	2	screw
3	infrared-card cable connector		

Replacing the Infrared Card

1. Follow the instructions in [Before You Begin](#).
2. Connect the infrared-card cable to the connector on the infrared card.
3. Align the screw holes on the infrared card with the screw holes on the display bezel.
4. Replace the screw that secure the infrared card to the display bezel.

5. Turn the display bezel over.
6. Follow the instructions from [step 2](#) to [step 12](#) in [Replacing the Display Bezel](#).
7. Replace the system board (See [Replacing the System Board](#)).

 **CAUTION:** Before turning on the computer, replace all screws and ensure that no stray screws remain inside the computer. Failure to do so may result in damage to the computer.

8. Connect your computer and all attached devices to electrical outlets, and turn them on.
-

[Back to Contents Page](#)

Memory Module(s)

Dell™ Inspiron™ One 2305/2310 Service Manual

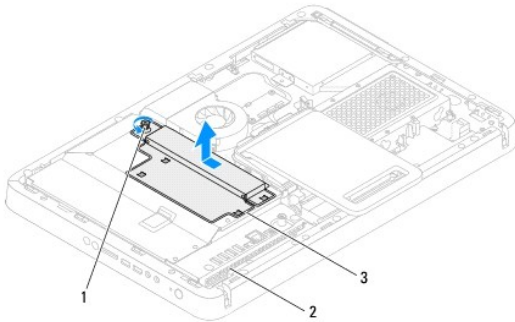
- [Removing Memory Module\(s\)](#)
- [Replacing Memory Module\(s\)](#)

- WARNING:** Before working inside your computer, read the safety information that shipped with your computer. For additional safety best practices information, see the Regulatory Compliance Homepage at www.dell.com/regulatory_compliance.
- CAUTION:** Only a certified service technician should perform repairs on your computer. Damage due to servicing that is not authorized by Dell™ is not covered by your warranty.
- CAUTION:** To avoid electrostatic discharge, ground yourself by using a wrist grounding strap or by periodically touching an unpainted metal surface (such as a connector on your computer).
-

Removing Memory Module(s)

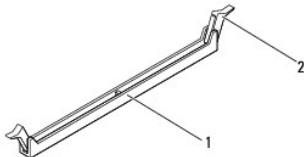
Inspiron One 2305

1. Follow the instructions in [Before You Begin](#).
2. Remove the back cover (see [Removing the Back Cover](#)).
3. Follow the instructions from [step 2](#) to [step 5](#) in [Removing the Front Stand](#).
4. Loosen the screw that secures the memory-module cover to the system-board shield.
5. Slide the memory-module cover to release the tabs on the memory-module cover from the slots on the system-board shield.
6. Lift the memory-module cover away from the system-board shield.



1	captive screw	2	system-board shield
3	memory-module cover		

7. Press out the securing clip at each end of the memory-module connector.



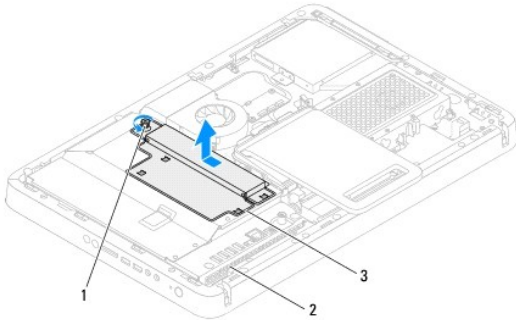
1	memory-module connector	2	securing clips (2)
---	-------------------------	---	--------------------

8. Remove the memory module from the memory-module connector.

If the memory module is difficult to remove, gently ease the memory module back and forth to remove it from the memory-module connector.

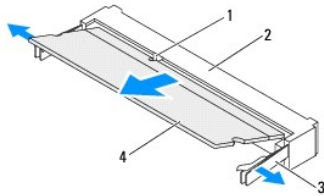
Inspiron One 2310

1. Follow the instructions in [Before You Begin](#).
2. Remove the back cover (see [Removing the Back Cover](#)).
3. Follow the instructions from [step 2](#) to [step 5](#) in [Removing the Front Stand](#).
4. Loosen the screw that secures the memory-module cover to the system-board shield.
5. Slide the memory-module cover to release the tabs on the memory-module cover from the slots on the system-board shield.
6. Lift the memory-module cover away from the system-board shield.



1	captive screw	2	system-board shield
3	memory-module cover		

7. Use your fingertips to carefully spread apart the securing clips on each end of the memory-module connector until the memory module pops up.
8. Remove the memory module from the memory-module connector



1	tab	2	memory-module connector
3	securing clips (2)	4	memory module

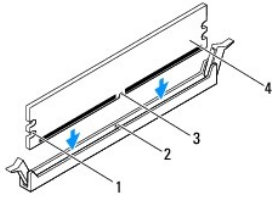
Replacing Memory Module(s)

Inspiron One 2305

CAUTION: If the memory module is not installed properly, the computer may not boot.

1. Follow the instructions in [Before You Begin](#).
2. Press out the securing clip at each end of the memory module connector.

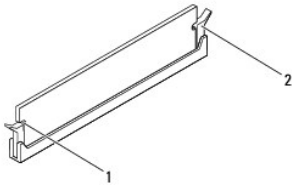
- Align the notch on the memory module with the tab on the memory-module connector.



1	cutouts (2)	2	tab
3	notch	4	memory module

CAUTION: To avoid damage to the memory module, press the memory module straight down into the connector while you apply equal force to each end of the memory module.

- Insert the memory module into the memory-module connector until the memory module snaps into position. If you insert the memory module correctly, the securing clips snap into the cutouts at each end of the memory module.



1	cutouts (2)	2	securing clip (snapped in position)
---	-------------	---	-------------------------------------

- Place the memory-module cover on the system-board shield and slide the memory-module cover into place.
- Tighten the screw that secures the memory-module cover to the system-board shield.
- Follow the instructions from [step 4](#) to [step 5](#) in [Replacing the Front Stand](#).
- Replace the back cover (see [Replacing the Back Cover](#)).

CAUTION: Before turning on the computer, replace all screws and ensure that no stray screws remain inside the computer. Failure to do so may result in damage to the computer.

- Connect your computer and all attached devices to electrical outlets, and then turn them on.
- When the message appears stating that memory size has changed, press <F1> to continue.
- Log on to your computer.

To verify that the memory is installed correctly, click **Start** → **Control Panel** → **System and Security** → **System**.


Check the amount of memory (RAM) listed.

Inspiron One 2310

CAUTION: If the memory module is not installed properly, the computer may not boot.

- Follow the instructions in [Before You Begin](#).
- Align the notch on the memory module with the tab in the memory-module connector.
- Slide the memory module firmly into the memory-module connector at a 45-degree angle, and press the memory module down until it clicks into place. If you do not hear the click, remove the memory module and reinstall it.

4. Place the memory-module cover on the system-board shield and slide the memory-module cover into place.
5. Tighten the screw that secures the memory-module cover to the system-board shield.
6. Replace the back cover (see [Replacing the Back Cover](#)).
7. Follow the instructions from [step 4](#) to [step 5](#) in [Replacing the Front Stand](#).

 **CAUTION:** Before turning on the computer, replace all screws and ensure that no stray screws remain inside the computer. Failure to do so may result in damage to the computer.

8. Connect your computer and all attached devices to electrical outlets, and then turn them on.
9. When the message appears stating that memory size has changed, press <F1> to continue.
10. Log on to your computer.

To verify that the memory is installed correctly, click **Start**  → **Control Panel** → **System and Security** → **System**.

Check the amount of memory (RAM) listed.

[Back to Contents Page](#)

Middle Frame

Dell™ Inspiron™ One 2305/2310 Service Manual

- [Removing the Middle Frame](#)
- [Replacing the Middle Frame](#)

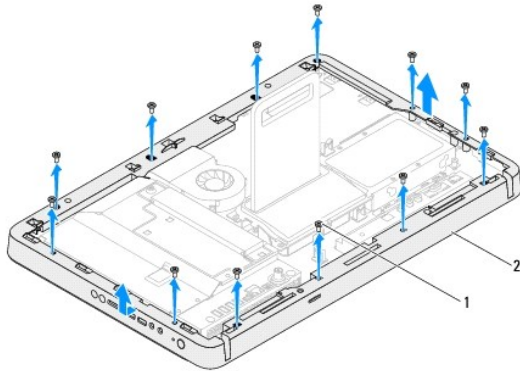
WARNING: Before working inside your computer, read the safety information that shipped with your computer. For additional safety best practices information, see the Regulatory Compliance Homepage at www.dell.com/regulatory_compliance.

CAUTION: Only a certified service technician should perform repairs on your computer. Damage due to servicing that is not authorized by Dell™ is not covered by your warranty.

CAUTION: To avoid electrostatic discharge, ground yourself by using a wrist grounding strap or by periodically touching an unpainted metal surface (such as a connector on your computer).

Removing the Middle Frame


1. Follow the instructions in [Before You Begin](#).
2. Remove the back cover (see [Removing the Back Cover](#)).
3. Follow the instructions from [step 3](#) to [step 5](#) in [Removing the Optical Drive](#).
4. Follow the instructions from [step 2](#) to [step 5](#) in [Removing the Front Stand](#).
5. Remove the 12 screws that secure the middle frame to the chassis.
6. Lift the middle frame away from the computer.



1	screws (12)	2	middle frame
---	-------------	---	--------------

Replacing the Middle Frame

1. Follow the instructions in [Before You Begin](#).
2. Align the screw holes on the middle frame with the screw holes on the chassis.
3. Replace the 12 screws that secure the middle frame to the chassis.
4. Follow the instructions from [step 4](#) to [step 5](#) in [Replacing the Front Stand](#).
5. Follow the instructions from [step 5](#) to [step 7](#) in [Replacing the Optical Drive](#).
6. Replace the back cover (see [Replacing the Back Cover](#)).

 **CAUTION:** Before turning on the computer, replace all screws and ensure that no stray screws remain inside the computer. Failure to do so may result in damage to the computer.

7. Connect your computer and all attached devices to electrical outlets, and turn them on.
-

[Back to Contents Page](#)

MXM-Assembly Fan (Optional)

Dell™ Inspiron™ One 2305/2310 Service Manual

- [Removing the MXM-Assembly Fan](#)
- [Replacing the MXM-Assembly Fan](#)

WARNING: Before working inside your computer, read the safety information that shipped with your computer. For additional safety best practices information, see the Regulatory Compliance Homepage at www.dell.com/regulatory_compliance.

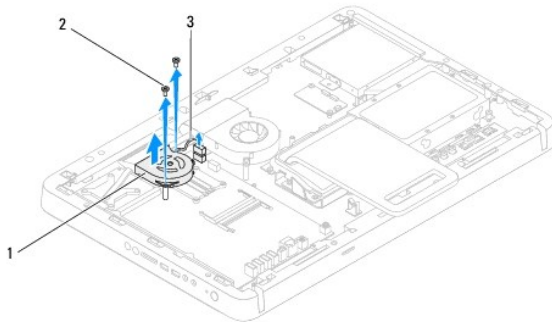
CAUTION: Only a certified service technician should perform repairs on your computer. Damage due to servicing that is not authorized by Dell™ is not covered by your warranty.

CAUTION: To avoid electrostatic discharge, ground yourself by using a wrist grounding strap or by periodically touching an unpainted metal surface (such as a connector on your computer).

Removing the MXM-Assembly Fan

1. Follow the instructions in [Before You Begin](#).
2. Remove the back cover (see [Removing the Back Cover](#)).
3. Follow the instructions from [step 2](#) to [step 5](#) in [Removing the Front Stand](#).
4. Remove the system-board shield (see [Removing the System-Board Shield](#)).
5. Disconnect the MXM-assembly fan cable from the connector (MXM FAN) on the system board.
6. Remove the two screws that secure the MXM-assembly fan to the hex nut screws.
7. Carefully peel the silver foil from the MXM-assembly heat sink.
8. Lift the MXM-assembly fan along with its cable away from the system board.

NOTE: The appearance of the system board may vary based on your computer model.




1	MXM-assembly fan	2	screws (2)
3	MXM-assembly fan cable		

Replacing the MXM-Assembly Fan

1. Follow the instructions in [Before You Begin](#).
2. Align the screw holes on the MXM-assembly fan with the screw holes on the hex nut screw.
3. Adhere the silver foil to the MXM-assembly heat sink.
4. Replace the two screws that secure the MXM-assembly fan to the system board.

5. Connect the MXM-assembly fan cable to the connector (MXM FAN) on the system board.
6. Replace the system-board shield (see [Replacing the System-Board Shield](#)).
7. Follow the instructions from [step 4](#) to [step 5](#) in [Replacing the Front Stand](#).
8. Replace the back cover (see [Replacing the Back Cover](#)).

 **CAUTION:** Before turning on the computer, replace all screws and ensure that no stray screws remain inside the computer. Failure to do so may result in damage to the computer.

9. Connect your computer and all attached devices to electrical outlets, and turn them on.
-

[Back to Contents Page](#)

MXM Assembly (Optional)

Dell™ Inspiron™ One 2305/2310 Service Manual

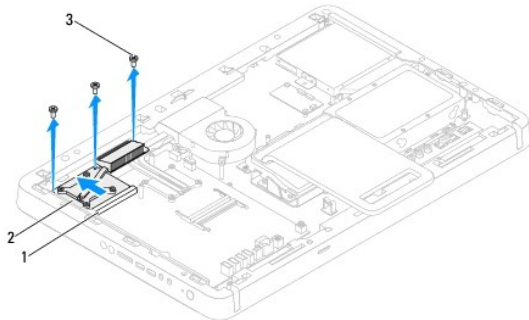
- [Removing the MXM Assembly](#)
- [Replacing the MXM Assembly](#)

- ⚠ WARNING:** Before working inside your computer, read the safety information that shipped with your computer. For additional safety best practices information, see the Regulatory Compliance Homepage at www.dell.com/regulatory_compliance.
- ⚠ WARNING:** The MXM assembly may be very hot during normal operation. Ensure that it has had sufficient time to cool before you touch it.
- ⚠ CAUTION:** Only a certified service technician should perform repairs on your computer. Damage due to servicing that is not authorized by Dell™ is not covered by your warranty.
- ⚠ CAUTION:** To avoid electrostatic discharge, ground yourself by using a wrist grounding strap or by periodically touching an unpainted metal surface (such as a connector on your computer).
-

Removing the MXM Assembly

1. Follow the instructions in [Before You Begin](#).
2. Remove the back cover (see [Removing the Back Cover](#)).
3. Follow the instructions from [step 2](#) to [step 5](#) in [Removing the Front Stand](#).
4. Remove the system-board shield (see [Removing the System-Board Shield](#)).
5. Remove the MXM-assembly fan (see [Removing the MXM-Assembly Fan](#)).
6. Remove the three screws that secure the MXM-assembly to the chassis.
7. Remove the MXM assembly from the MXM-assembly connector.

📌 NOTE: The appearance of the system board may vary based on your computer model.




1	MXM assembly connector	2	MXM assembly
3	screws (3)		

Replacing the MXM Assembly

1. Follow the instructions in [Before You Begin](#).
2. Align the notch on the MXM assembly with the tab in the MXM-assembly connector.
3. Insert the MXM assembly at a 45-degree angle into the MXM-assembly connector.
4. Replace the three screws that secure the MXM assembly to the chassis.

5. Replace the MXM-assembly fan (see [Replacing the MXM-Assembly Fan](#)).
6. Replace the system-board shield (see [Replacing the System-Board Shield](#)).
7. Follow the instructions from [step 4](#) to [step 5](#) in [Replacing the Front Stand](#).
8. Replace the back cover (see [Replacing the Back Cover](#)).

 **CAUTION:** Before turning on the computer, replace all screws and ensure that no stray screws remain inside the computer. Failure to do so may result in damage to the computer.

9. Connect your computer and all attached devices to electrical outlets, and turn them on.

[Back to Contents Page](#)

Optical Drive

Dell™ Inspiron™ One 2305/2310 Service Manual

- [Removing the Optical Drive](#)
- [Replacing the Optical Drive](#)

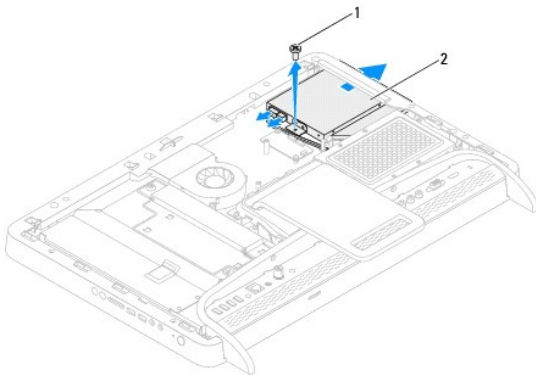
WARNING: Before working inside your computer, read the safety information that shipped with your computer. For additional safety best practices information, see the Regulatory Compliance Homepage at www.dell.com/regulatory_compliance.

CAUTION: Only a certified service technician should perform repairs on your computer. Damage due to servicing that is not authorized by Dell™ is not covered by your warranty.

CAUTION: To avoid electrostatic discharge, ground yourself by using a wrist grounding strap or by periodically touching an unpainted metal surface (such as a connector on your computer).

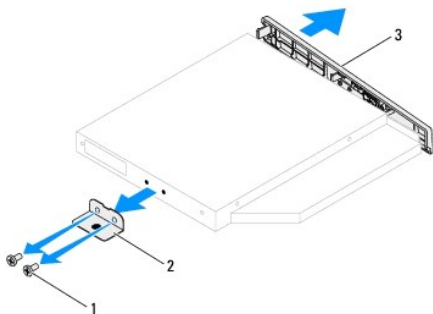
Removing the Optical Drive

1. Follow the instructions in [Before You Begin](#).
2. Remove the back cover (see [Removing the Back Cover](#)).
3. Disconnect the power and data cables from the connectors on the optical drive.
4. Remove the screw that secures the optical drive to the chassis.
5. Slide the optical drive out of the optical-drive bay.



1	screw	2	optical drive
---	-------	---	---------------


6. Remove the two screws that secure the optical-drive bracket to the optical drive.
7. Remove the optical-drive bracket from the optical drive.
8. Pull the optical-drive bezel to detach it from the optical drive.



1	screws (2)	2	optical-drive bracket
3	optical-drive bezel		

Replacing the Optical Drive

1. Follow the instructions in [Before You Begin](#).
2. Align the tabs on the optical-drive bezel with the slots on the optical drive and snap the optical-drive bezel into place.
3. Align the screw holes on the optical-drive bracket with the screw holes on the optical drive.
4. Replace the two screws that secure the optical-drive bracket to the optical drive.
5. Slide the optical drive into the optical-drive bay.
6. Replace the screw that secures the optical drive to the chassis.
7. Connect the power and data cables to the connectors on the optical drive.
8. Replace the back cover (see [Replacing the Back Cover](#)).

 **CAUTION:** Before turning on the computer, replace all screws and ensure that no stray screws remain inside the computer. Failure to do so may result in damage to the computer.

9. Connect your computer and all attached devices to electrical outlets, and turn them on.
-

[Back to Contents Page](#)

Processor

Dell™ Inspiron™ One 2305/2310 Service Manual

- [Removing the Processor](#)
- [Replacing the Processor](#)

WARNING: Before working inside your computer, read the safety information that shipped with your computer. For additional safety best practices information, see the Regulatory Compliance Homepage at www.dell.com/regulatory_compliance.

CAUTION: Only a certified service technician should perform repairs on your computer. Damage due to servicing that is not authorized by Dell™ is not covered by your warranty.

CAUTION: To avoid electrostatic discharge, ground yourself by using a wrist grounding strap or by periodically touching an unpainted metal surface (such as a connector on your computer).

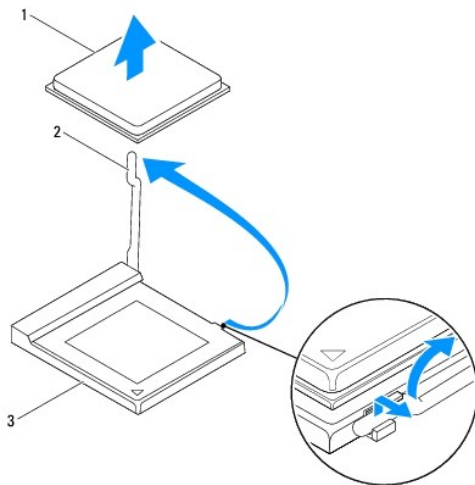
Removing the Processor

1. Follow the instructions in [Before You Begin](#).
2. Remove the back cover (see [Removing the Back Cover](#)).
3. Follow the instructions from [step 2](#) to [step 5](#) in [Removing the Front Stand](#).
4. Remove the system-board shield (see [Removing the System-Board Shield](#)).
5. Remove the MXM-assembly fan (see [Removing the MXM-Assembly Fan](#)).
6. Remove the MXM assembly (see [Removing the MXM Assembly](#)).
7. Remove the processor heat-sink fan (see [Removing the Processor Heat-Sink Fan](#)).
8. Remove the processor heat-sink (see [Removing the Processor Heat Sink](#)).
9. Remove the processor:

CAUTION: When removing or replacing the processor, do not touch any of the pins inside the processor socket or allow any objects to fall on the pins in the processor socket.

Inspiron One 2305

- a. Press and push the release lever down and out to release it from the tab that secures it.
- b. Lift the processor to remove it from the processor socket; place it aside in a safe and secure place.

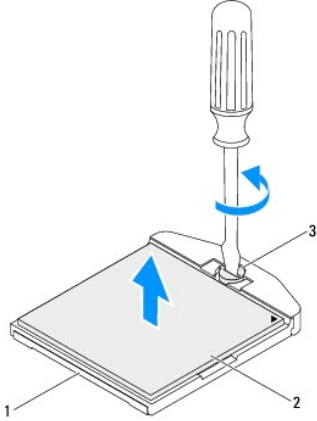


1	processor	2	release lever
---	-----------	---	---------------

3 processor socket

Inspiron One 2310

- a. To loosen the ZIF socket, use a small, flat-blade screwdriver and rotate the ZIF-socket cam screw counterclockwise until it comes to the cam stop.
- b. Lift the processor from the ZIF socket; place it aside in a safe and secure place. .



1	ZIF socket	2	processor
3	ZIF-socket cam screw		

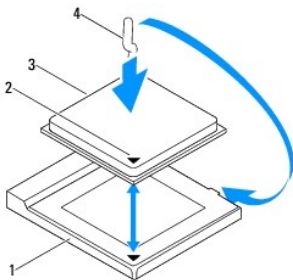
Replacing the Processor

1. Follow the instructions in [Before You Begin](#).
2. Unpack and replace new processor:

CAUTION: Ground yourself by touching an unpainted metal surface or the computer stand.

Inspiron One 2305

- a. Lift the release lever to the release position so that the processor socket is ready for the new processor.



1	processor socket	2	processor pin-1 indicator
3	processor	4	release lever

- b. Ensure that the release lever on the processor socket is fully extended.

CAUTION: Socket pins are delicate. To avoid damage, ensure that the processor is aligned properly with the processor socket, and do not use excessive force when you install the processor. Be careful not to touch or bend the pins on the system board.

CAUTION: You must position the processor correctly in the processor socket to avoid permanent damage to the processor.

- c. Align the pin-1 corners of the processor and processor socket.

- d. Place the processor lightly in the processor socket and ensure that the processor is positioned correctly.
- e. Pivot the processor socket release lever back towards the processor socket, and snap it into place to secure the processor.
- f. Clean the thermal grease from the bottom of the heat sink.

CAUTION: Ensure that you apply new thermal grease. New thermal grease is critical for ensuring adequate thermal bonding, which is a requirement for optimal processor operation.

- g. Apply the new thermal grease to the top of the processor.

Inspiron One 2310

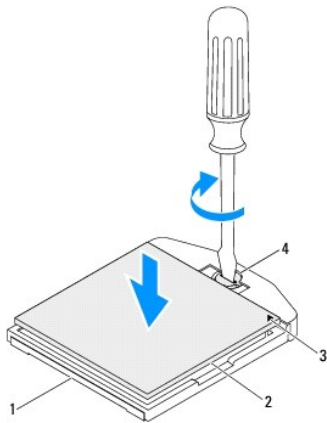
CAUTION: Socket pins are delicate. To avoid damage, ensure that the processor is aligned properly with the processor socket, and do not use excessive force when you install the processor. Be careful not to touch or bend the pins on the system board.

CAUTION: You must position the processor correctly in the processor socket to avoid permanent damage to the processor.

- a. Align the pin-1 corner of the processor with the pin-1 corner of the ZIF socket.

NOTE: The pin-1 corner of the processor has a triangle that aligns with the triangle on the pin-1 corner of the ZIF socket.

- b. Place the processor lightly in the processor socket and ensure that the processor is positioned properly.



1	ZIF socket	2	processor
3	processor pin-1 indicator	4	ZIF-socket cam screw


- c. Tighten the ZIF socket by turning the cam screw clockwise to secure the processor to the system board.
- d. Clean the thermal grease from the bottom of the heat sink.

CAUTION: Ensure that you apply new thermal grease. New thermal grease is critical for ensuring adequate thermal bonding, which is a requirement for optimal processor operation.

- e. Apply the new thermal grease to the top of the processor.

CAUTION: Ensure that the processor heat sink is correctly seated and secure.

- 3. Replace the processor heat-sink (see [Replacing the Processor Heat Sink](#)).
- 4. Replace the processor heat-sink fan (see [Replacing the Processor Heat-Sink Fan](#)).
- 5. Replace the MXM-assembly (see [Replacing the MXM Assembly](#)).
- 6. Replace the MXM-assembly fan (see [Replacing the MXM-Assembly Fan](#)).
- 7. Replace the system-board shield (see [Replacing the System-Board Shield](#)).
- 8. Follow the instructions from [step 4](#) to [step 5](#) in [Replacing the Front Stand](#).
- 9. Replace the back cover (see [Replacing the Back Cover](#)).

 **CAUTION:** Before turning on the computer, replace all screws and ensure that no stray screws remain inside the computer. Failure to do so may result in damage to the computer.

10. Connect your computer and all attached devices to electrical outlets, and then turn them on.

[Back to Contents Page](#)

System-Board Shield

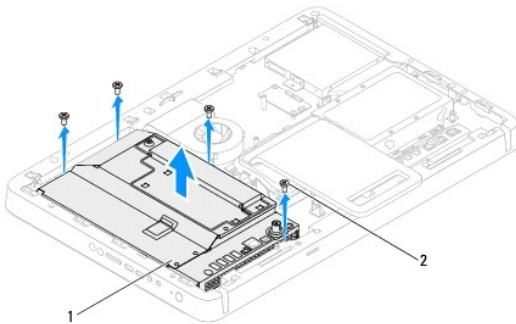
Dell™ Inspiron™ One 2305/2310 Service Manual

- [Removing the System-Board Shield](#)
- [Replacing the System-Board Shield](#)

- WARNING:** Before working inside your computer, read the safety information that shipped with your computer. For additional safety best practices information, see the Regulatory Compliance Homepage at www.dell.com/regulatory_compliance.
- CAUTION:** Only a certified service technician should perform repairs on your computer. Damage due to servicing that is not authorized by Dell™ is not covered by your warranty.
- CAUTION:** To avoid electrostatic discharge, ground yourself by using a wrist grounding strap or by periodically touching an unpainted metal surface (such as a connector on your computer).
-

Removing the System-Board Shield

1. Follow the instructions in [Before You Begin](#).
2. Remove the back cover (see [Removing the Back Cover](#)).
3. Follow the instructions from [step 2](#) to [step 5](#) in [Removing the Front Stand](#).
4. Remove the four screws that secure the system-board shield to the chassis.
5. Carefully lift the system-board shield and turn it over to the left of the computer.




1	system-board shield	2	screws (4)
---	---------------------	---	------------

6. Disconnect the antenna-in connector cable from the connector on the TV tuner card.
 7. Disconnect the infrared (IR) blaster connector cable from the connector (CIR Emitter) on the system board.
 8. Release the antenna-in connector cable and IR blaster connector cable from the routing guides on the system-board shield.
 9. Follow the instructions from [step 5](#) to [step 7](#) in [Removing the Antenna-In Connector](#).
 10. Follow the instructions from [step 5](#) to [step 7](#) in [Removing the Infrared \(IR\) Blaster Connector](#).
-

Replacing the System-Board Shield

1. Follow the instructions in [Before You Begin](#).
2. Follow the instructions from [step 2](#) to [step 5](#) in [Replacing the Infrared \(IR\) Blaster Connector](#).
3. Follow the instructions from [step 2](#) to [step 3](#) in [Replacing the Antenna-In Connector](#).

4. Route the antenna-in connector cable and infrared (IR) blaster connector cable through the routing guides on the system-board shield.
5. Connect the IR blaster connector cable to the connector (CIR Emitter) on the system board.
6. Connect the antenna-in connector cable to the connector on the TV tuner card.
7. Carefully turn the system-board shield over and align the screw holes on the system-board shield with the screw holes on the chassis.
8. Replace the four screws that secure the system-board shield to the chassis.
9. Follow the instructions from [step 4](#) to [step 5](#) in [Replacing the Front Stand](#).
10. Replace the back cover (see [Replacing the Back Cover](#)).

 **CAUTION:** Before turning on the computer, replace all screws and ensure that no stray screws remain inside the computer. Failure to do so may result in damage to the computer.

11. Connect your computer and all attached devices to electrical outlets, and turn them on.

[Back to Contents Page](#)

Speakers

Dell™ Inspiron™ One 2305/2310 Service Manual

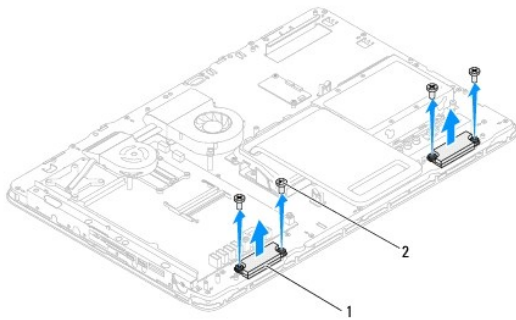
- [Removing the Speakers](#)
- [Replacing the Speakers](#)

- WARNING:** Before working inside your computer, read the safety information that shipped with your computer. For additional safety best practices information, see the Regulatory Compliance Homepage at www.dell.com/regulatory_compliance.
- CAUTION:** Only a certified service technician should perform repairs on your computer. Damage due to servicing that is not authorized by Dell™ is not covered by your warranty.
- CAUTION:** To avoid electrostatic discharge, ground yourself by using a wrist grounding strap or by periodically touching an unpainted metal surface (such as a connector on your computer).
-

Removing the Speakers

1. Follow the instructions in [Before You Begin](#).
2. Remove the back cover (see [Removing the Back Cover](#)).
3. Follow the instructions from [step 2](#) to [step 5](#) in [Removing the Front Stand](#).
4. Follow the instructions from [step 3](#) to [step 5](#) in [Removing the Optical Drive](#).
5. Remove the middle frame (see [Removing the Middle Frame](#)).
6. Remove the system-board shield (see [Removing the System-Board Shield](#)).
7. Disconnect the speakers cable from the connector on the system board.
8. Make note of the speakers cable routing and release the cable from the securing tapes.
9. Remove the four screws (two on each speaker) that secure the speakers to the chassis.
10. Lift the speakers along with its cable off the chassis.

NOTE: The appearance of the system board may vary based on your computer model




1	speakers (2)	2	screws (4)
---	--------------	---	------------

Replacing the Speakers

1. Follow the instructions in [Before You Begin](#).
2. Align the screw holes on the speakers with the screw holes on the chassis.
3. Replace the four screws (two on each speaker) that secure the speakers to the chassis.

4. Route the speakers cable and secure it with the tapes.
5. Connect the speakers cable to the connector on the system board.
6. Replace the system-board shield (see [Replacing the System-Board Shield](#)).
7. Replace the middle frame (see [Replacing the Middle Frame](#)).
8. Follow the instructions from [step 5](#) to [step 7](#) in [Replacing the Optical Drive](#).
9. Follow the instructions from [step 4](#) to [step 5](#) in [Replacing the Front Stand](#).
10. Replace the back cover (see [Replacing the Back Cover](#)).

 **CAUTION:** Before turning on the computer, replace all screws and ensure that no stray screws remain inside the computer. Failure to do so may result in damage to the computer.

11. Connect your computer and all attached devices to electrical outlets, and turn them on.

[Back to Contents Page](#)

Speaker Cover

Dell™ Inspiron™ One 2305/2310 Service Manual

- [Removing the Speaker Cover](#)
- [Replacing the Speaker Cover](#)

WARNING: Before working inside your computer, read the safety information that shipped with your computer. For additional safety best practices information, see the Regulatory Compliance Homepage at www.dell.com/regulatory_compliance.

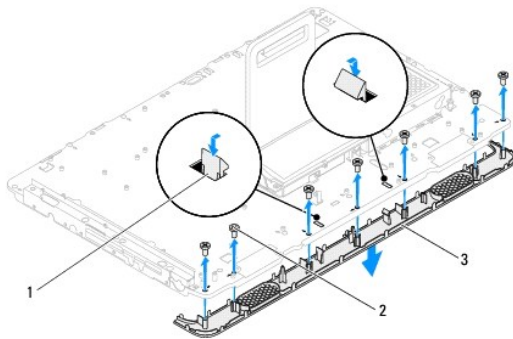
CAUTION: Only a certified service technician should perform repairs on your computer. Damage due to servicing that is not authorized by Dell™ is not covered by your warranty.

CAUTION: To avoid electrostatic discharge, ground yourself by using a wrist grounding strap or by periodically touching an unpainted metal surface (such as a connector on your computer).

Removing the Speaker Cover

1. Follow the instructions in [Before You Begin](#).
2. Remove the system board (see [Removing the System Board](#)).
3. Remove the display bezel (see [Removing the Display Bezel](#)).
4. Remove the speakers (see [Removing the Speakers](#)).
5. Remove the seven screws that secure the speaker cover to the chassis.
6. Release the two tabs that secure the speaker cover to the chassis.
7. Lift the speaker cover away from the computer.

NOTE: The appearance of the system board may vary based on your computer model




1	tabs (2)	2	screws (7)
3	speaker cover		

Replacing the Speaker Cover

1. Follow the instructions in [Before You Begin](#).
2. Secure the two tabs on the speaker cover to the slots on the chassis.
3. Align the screw holes on the speaker cover with the screw holes on the chassis.
4. Replace the seven screws that secure the speaker cover to the chassis.
5. Replace the display bezel (see [Replacing the Display Bezel](#)).

6. Replace the system board (see [Replacing the System Board](#)).

7. Replace the speakers (see [Replacing the Speakers](#)).

 **CAUTION:** Before turning on the computer, replace all screws and ensure that no stray screws remain inside the computer. Failure to do so may result in damage to the computer.

8. Connect your computer and all attached devices to electrical outlets, and turn them on.

[Back to Contents Page](#)

[Back to Contents Page](#)

Rear Stand

Dell™ Inspiron™ One 2305/2310 Service Manual

- [Removing the Rear Stand](#)
- [Replacing the Rear Stand](#)

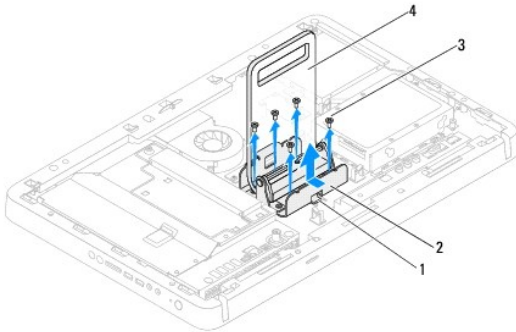
WARNING: Before working inside your computer, read the safety information that shipped with your computer. For additional safety best practices information, see the Regulatory Compliance Homepage at www.dell.com/regulatory_compliance.

CAUTION: Only a certified service technician should perform repairs on your computer. Damage due to servicing that is not authorized by Dell™ is not covered by your warranty.

CAUTION: To avoid electrostatic discharge, ground yourself by using a wrist grounding strap or by periodically touching an unpainted metal surface (such as a connector on your computer).

Removing the Rear Stand

1. Follow the instructions in [Before You Begin](#).
2. Remove the back cover (see [Removing the Back Cover](#)).
3. Follow the instructions from [step 2](#) to [step 5](#) in [Removing the Front Stand](#).
4. Remove the rear stand cover (see [Removing the Rear Stand Cover](#)).
5. Lift the rear stand and remove the two screws at the bottom of the rear stand hinge.
6. Remove the three screws at the top of the rear stand hinge.
7. Slide the tab on the rear stand hinge out of the slot on the chassis and then lift the rear stand away from the computer.




1	tab	2	rear stand hinge
3	screws (5)	4	rear stand

Replacing the Rear Stand

1. Follow the instructions in [Before You Begin](#).
2. Slide the tab on the rear stand hinge into the slot on the chassis.
3. Replace the three screws at the top of the rear stand hinge.
4. Lift the rear stand and replace the two screws at the bottom of the rear stand hinge.
5. Replace the rear stand cover (see [Replacing the Rear Stand Cover](#)).
6. Follow the instructions from [step 4](#) to [step 5](#) in [Replacing the Front Stand](#).

7. Replace the back cover (see [Replacing the Back Cover](#)).

 **CAUTION:** Before turning on the computer, replace all screws and ensure that no stray screws remain inside the computer. Failure to do so may result in damage to the computer.

8. Connect your computer and all attached devices to electrical outlets, and turn them on.

[Back to Contents Page](#)

Rear Stand Cover

Dell™ Inspiron™ One 2305/2310 Service Manual

- [Removing the Rear Stand Cover](#)
- [Replacing the Rear Stand Cover](#)

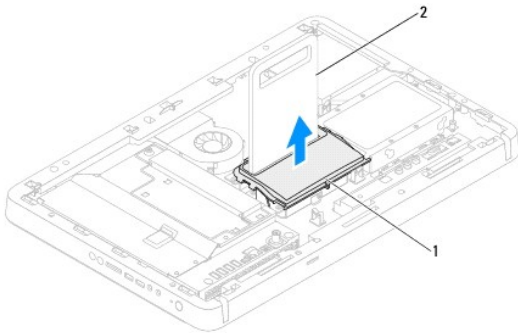
WARNING: Before working inside your computer, read the safety information that shipped with your computer. For additional safety best practices information, see the Regulatory Compliance Homepage at www.dell.com/regulatory_compliance.

CAUTION: Only a certified service technician should perform repairs on your computer. Damage due to servicing that is not authorized by Dell™ is not covered by your warranty.

CAUTION: To avoid electrostatic discharge, ground yourself by using a wrist grounding strap or by periodically touching an unpainted metal surface (such as a connector on your computer).

Removing the Rear Stand Cover

1. Follow the instructions in [Before You Begin](#).
2. Remove the back cover (see [Removing the Back Cover](#)).
3. Follow the instructions from [step 2](#) to [step 5](#) in [Removing the Front Stand](#).
4. Lift and hold the rear stand and release the rear stand cover from its position.
5. Slide out the rear stand cover through the rear stand.



1	rear stand cover	2	rear stand
---	------------------	---	------------

Replacing the Rear Stand Cover

1. Follow the instructions in [Before You Begin](#).
2. Slide the rear stand cover through the rear stand.
3. Lift the rear stand and place the rear stand cover in position.
4. Follow the instructions from [step 4](#) to [step 5](#) in [Replacing the Front Stand](#).
5. Replace the back cover (see [Replacing the Back Cover](#)).

CAUTION: Before turning on the computer, replace all screws and ensure that no stray screws remain inside the computer. Failure to do so may result in damage to the computer.

6. Connect your computer and all attached devices to electrical outlets, and turn them on.





[Back to Contents Page](#)

[Back to Contents Page](#)



System Board

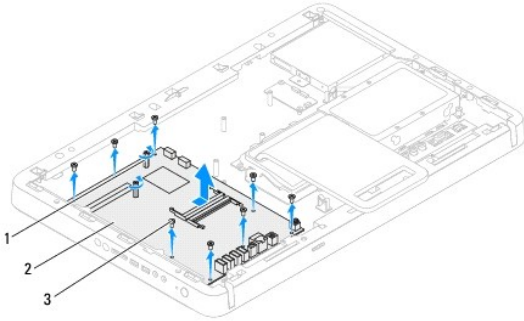
Dell™ Inspiron™ One 2305/2310 Service Manual

- [Removing the System Board](#)
- [Replacing the System Board](#)
- [Entering the Service Tag in the BIOS](#)

-  **WARNING:** Before working inside your computer, read the safety information that shipped with your computer. For additional safety best practices information, see the Regulatory Compliance Homepage at www.dell.com/regulatory_compliance.
-  **CAUTION:** Only a certified service technician should perform repairs on your computer. Damage due to servicing that is not authorized by Dell™ is not covered by your warranty.
-  **CAUTION:** To avoid electrostatic discharge, ground yourself by using a wrist grounding strap or by periodically touching an unpainted metal surface (such as a connector on your computer).
-  **CAUTION:** Handle components and cards by their edges, and avoid touching pins and contacts.
-

Removing the System Board

1. Follow the instructions in [Before You Begin](#).
 2. Remove the back cover (see [Removing the Back Cover](#)).
 3. Follow the instructions from [step 2](#) to [step 5](#) in [Removing the Front Stand](#).
 4. Remove the system-board shield (see [Removing the System-Board Shield](#)).
 5. Remove the MXM-assembly fan (see [Removing the MXM-Assembly Fan](#)).
 6. Remove the MXM-assembly (see [Removing the MXM Assembly](#)).
 7. Remove the memory module(s) (see [Removing Memory Module\(s\)](#)).
 8. Remove the Mini-Card(s) (see [Removing the Mini-Card\(s\)](#)).
 9. Remove the processor heat-sink fan (see [Removing the Processor Heat-Sink Fan](#)).
 10. Remove the processor heat-sink (see [Removing the Processor Heat Sink](#)).
 11. Remove the processor (see [Removing the Processor](#)).
-  **NOTE:** Make note of the cable routing before disconnecting the cables from the system board.
12. Disconnect all the cables connected to the system board.
 13. Using a hex nut driver, remove the two hex nut screws that secure the system board to the chassis.
 14. Remove the eight screws that secure the system board to the chassis.
 15. Lift the system board at an angle toward the side of the computer and out of the chassis.
-  **NOTE:** The appearance of the system board may vary based on your computer model



1	hexnut screws (2)	2	system board
3	screws (8)		

Replacing the System Board

1. Follow the instructions in [Before You Begin](#).
2. Align the connectors on the system board with the slots on the chassis.
3. Replace the eight screws that secure the system board to the chassis.
4. Using a hex nut driver, replace the two hex nut screws that secure the system board to the chassis.
5. Connect all the required cables to the system board.
6. Replace the processor (see [Replacing the Processor](#)).
7. Replace the processor heat-sink (see [Replacing the Processor Heat Sink](#)).
8. Replace the processor heat-sink fan (see [Replacing the Processor Heat-Sink Fan](#)).
9. Replace the Mini-Card(s) (see [Replacing the Mini-Card\(s\)](#)).
10. Replace the memory module(s) (see [Replacing Memory Module\(s\)](#)).
11. Replace the MXM assembly (see [Replacing the MXM Assembly](#)).
12. Replace the MXM-assembly fan (see [Replacing the MXM-Assembly Fan](#)).
13. Replace the system-board shield (see [Replacing the System-Board Shield](#)).
14. Follow the instructions from [step 4](#) to [step 5](#) in [Replacing the Front Stand](#).
15. Replace the back cover (see [Replacing the Back Cover](#)).

CAUTION: Before turning on the computer, replace all screws and ensure that no stray screws remain inside the computer. Failure to do so may result in damage to the computer.

16. Turn on the computer.

NOTE: After you have replaced the system board, enter the computer's Service Tag into the BIOS of the replacement system board.

17. Enter the Service Tag (see [Entering the Service Tag in the BIOS](#)).

Entering the Service Tag in the BIOS

1. Turn on the computer.

2. Press <F2> during POST to enter the system setup program.
 3. Navigate to the main tab and enter the service tag in the **Service Tag Setting** field.
-

[Back to Contents Page](#)

System Setup Utility


Dell™ Inspiron™ One 2305/2310 Service Manual


- [Overview](#)
- [Clearing Forgotten Passwords](#)
- [Clearing CMOS Passwords](#)

Overview

Use the system setup utility to:


- 1 Change the system configuration information after you add, change, or remove any hardware in your computer
- 1 Set or change a user-selectable option such as the user password
- 1 Read the current amount of memory or set the type of hard drive installed

 **CAUTION:** Unless you are an expert computer user, do not change the settings for this program. Certain changes can make your computer work incorrectly.

 **NOTE:** Before you change system setup, it is recommended that you write down the system setup screen information for future reference.

Entering System Setup Utility

1. Turn on (or restart) your computer.
2. When the DELL™ logo is displayed, watch for the F2 prompt to appear and then press <F2> immediately.

 **NOTE:** The F2 prompt indicates that the keyboard has initialized. This prompt can appear very quickly, so you must watch for it, and then press <F2>. If you press <F2> before the F2 prompt, this keystroke will be lost. If you wait too long and the operating system logo appears, continue to wait until you see the Microsoft® Windows® desktop. Then, shut down your computer (see [Turning Off Your Computer](#)) and try again.


System Setup Screens

The system setup screen displays current or changeable configuration information for your computer. Information on the screen is divided into three areas: the **setup item**, active **help screen**, and **key functions**.

<p>Setup Item — This field appears on the left side of the system setup window. The field is a scrollable list containing features that define the configuration of your computer, including installed hardware, power conservation, and security features.</p> <p>Scroll up and down the list with the up- and down-arrow keys. As an option is highlighted, the Help Screen displays more information about that option and available settings.</p>	<p>Help Screen — This field appears on the right side of the system setup window and contains information about each option listed in the Setup Item. In this field you can view information about your computer and make changes to your current settings.</p> <p>Press the up-arrow and down-arrow keys to highlight an option. Press <Enter> to make that selection active and return to the Setup Item.</p> <p>NOTE: Not all settings listed in the Setup Item are changeable.</p>
<p>Key Functions — This field appears below the Help Screen and lists keys and their functions within the active system setup field.</p>	

System Setup Options

Inspiron One 2305

 **NOTE:** Depending on your computer and installed devices, the items listed in this section may appear, or may not appear exactly as listed.

Main	
System Information	Displays the system name
BIOS Version	Displays the BIOS version number
System Date	Displays the current date in mm/dd/yyyy format
System Time	Displays the current time in hh:mm:ss format
Service Tag	Displays the service tag of the computer
Asset Tag	Displays the asset tag of the computer when the asset tag is present

Processor Information	
Processor Type	Displays the processor information
L1 Cache size	Displays the L1 cache size
L2 Cache size	Displays the L2 cache size
L3 Cache size	Displays the L3 cache size
Memory Information	
Memory Installed	Indicates the amount of memory installed in MB
Memory Available	Indicates the amount of memory available in MB
Memory Speed	Indicates the memory speed in MHz
Memory Technology	Indicates the type of installed memory
Device Information	
SATA 0	Displays the SATA drive connected to the SATA 0 connector
SATA 1	Displays the SATA drive connected to the SATA 1 connector
Advanced	
System Configuration	<ul style="list-style-type: none"> 1 Onboard Audio Controller — Enabled or Disabled (Enabled by default) 1 SATA Mode — ATA Mode or AHCI Mode (AHCI Mode by default) 1 Onboard LAN Controller — Enabled or Disabled (Enabled by default) 1 Onboard LAN Boot ROM — Enabled or Disabled (Disabled by default) 1 UMA Frame Buffer Size — Auto; 32MB; 64MB; 128MB; 256MB; 512MB; 1024MB (Auto by default) 1 USB Controller — Enabled or Disabled (Enabled by default)
Power Management	<ul style="list-style-type: none"> 1 AC Recovery — Power On; Power Off; Last State (Power Off by default) 1 Remote Wake up — Enabled or Disabled (Enabled by default) 1 Auto Power On — Enabled or Disabled (Disabled by default) 1 Auto Power On Date — 0 to 31 (15 by default) 1 Auto Power On hour — 0 to 23 (12 by default) 1 Auto Power On minute — 0 to 59 (30 by default) 1 Auto Power On second — 0 to 59 (30 by default)
Post Behavior	<ul style="list-style-type: none"> 1 Bootup NumLock State — On or Off (On by default) 1 Keyboard Errors — Report or Do Not Report (Report by default)
CPU Feature	<ul style="list-style-type: none"> 1 Secure Virtual Machine Disabled Mode — Enabled or Disabled (Enabled by default) 1 AMD Cool `N` Quiet — Enabled or Disabled (Enabled by default)
Security	
Admin Password	<p>Allows to set, change, or delete the administrator password</p> <p>NOTE: Deleting administrator password will delete the system password. Hence, the administrator password must be set before setting the system password.</p>
System Password	Allows to set, change, or delete the system password
Password on Boot	Enabled or Disabled (Enabled by default)
Boot	
1st Boot Priority	<p>Specifies the boot sequence from the available devices</p> <p>Diskette Drive; Hard Drive; USB Storage Device; CD/DVD/CD-RW Drive; Network; Disabled (Hard Drive by default)</p>
2nd Boot Priority	<p>Specifies the boot sequence from the available devices</p> <p>Diskette Drive; Hard Drive; USB Storage Device; CD/DVD/CD-RW Drive; Network; Disabled (CD/DVD/CD-RW Drive by default)</p>
3rd Boot Priority	<p>Specifies the boot sequence from the available devices</p> <p>Diskette Drive; Hard Drive; USB Storage Device; CD/DVD/CD-RW Drive; Network; Disabled (Diskette Drive by default)</p>
4th Boot Priority	<p>Specifies the boot sequence from the available devices</p> <p>Diskette Drive; Hard Drive; USB Storage Device; CD/DVD/CD-RW Drive; Network; Disabled (Network by default)</p>
5th Boot Priority	<p>Specifies the boot sequence from the available devices</p> <p>Diskette Drive; Hard Drive; USB Storage Device; CD/DVD/CD-RW Drive; Network; Disabled (USB Storage Device by default)</p>
Exit	
Exit Options	Provides options to Save Changes and Reset , Discard Changes and Reset , and Load Defaults

Main	
System Information	Displays the system name
BIOS Version	Displays the BIOS version number
System Date	Displays the current date in mm/dd/yyyy format
System Time	Displays the current time in hh:mm:ss format
Service Tag	Displays the service tag of the computer when the service tag is present
Asset Tag	Displays the asset tag of the computer when the asset tag is present
Processor Information	
Processor Type	Displays the processor information
L1 Cache Size	Displays the L1 cache size
L2 Cache Size	Displays the L2 cache size
L3 Cache Size	Displays the L3 cache size
Memory Information	
Memory Installed	Indicates the amount of memory installed in MB
Memory Available	Indicates the amount of memory available in MB
Memory Speed	Indicates the memory speed in MHz
Memory Technology	Indicates the type of installed memory
Device Information	
SATA 0	Displays the SATA drive connected to the SATA 0 connector
SATA 1	Displays the SATA drive connected to the SATA 1 connector
Advanced	
CPU Configuration	<ul style="list-style-type: none"> 1 Hyper-Threading — Enabled or Disabled (Enabled by default) 1 Multi Core Support — All; 1; 2 (All by default) 1 Limit CPUID Value — Enabled or Disabled (Disabled by default) 1 CPU XD Support — Enabled or Disabled (Enabled by default) 1 Intel Virtualization Technology — Enabled or Disabled (Enabled by default) 1 Intel(R) SpeedStep — Enabled or Disabled (Enabled by default)
System Configuration	<ul style="list-style-type: none"> 1 Onboard Audio Controller — Enabled or Disabled (Enabled by default) 1 Onboard LAN Controller — Enabled or Disabled (Enabled by default) 1 Onboard LAN Boot ROM — Enabled or Disabled (Disabled by default) 1 SATA Mode — IDE Mode or AHCI Mode (AHCI Mode by default) 1 USB Controller — Enabled or Disabled (Enabled by default) 1 DVM/ FIXED Memory — 128MB; 256MB; Maximum (256MB by default)
Power Management	<ul style="list-style-type: none"> 1 AC Recovery — Power On; Power Off; Last Power State (Power Off by default) 1 Remote Wake Up — Enabled or Disabled (Enabled by default) 1 Auto Power On — Enabled or Disabled (Disabled by default) 1 Auto Power On Date — 0 to 31 (15 by default) 1 Auto Power On Hour — 0 to 23 (12 by default) 1 Auto Power On Minute — 0 to 59 (30 by default) 1 Auto Power On second — 0 to 59 (30 by default)
Post Behavior	<ul style="list-style-type: none"> 1 Numlock Key — On or Off (On by default) 1 Keyboard Errors — Report or Do Not Report (Report by default)
Security	
Admin Password	<p>Allows to set, change, or delete the administrator password</p> <p>NOTE: Deleting the administrator password will delete system password. Hence, the administrator password must be set before setting the system password.</p>
System Password	Allows to set, change, or delete the system password
Password on Boot	Enabled or Disabled (Enabled by default)
Boot	
1st Boot Priority	<p>Specifies the boot sequence from the available devices</p> <p>USB Storage Device; Hard Drive; CD/DVD/CD-RW Drive; Diskette Drive; Network; Disabled (Hard Drive by default)</p>
2nd Boot Priority	<p>Specifies the boot sequence from the available devices</p> <p>USB Storage Device; Hard Drive; CD/DVD/CD-RW Drive; Diskette Drive; Network; Disabled (CD/DVD/CD-RW Drive by default)</p>


3rd Boot Priority	Specifies the boot sequence from the available devices USB Storage Device; Hard Drive; CD/DVD/CD-RW Drive; Diskette Drive; Network; Disabled (Diskette Drive by default)
4th Boot Priority	Specifies the boot sequence from the available devices USB Storage Device; Hard Drive; CD/DVD/CD-RW Drive; Diskette Drive; Network; Disabled (Network; by default)
5th Boot Priority	Specifies the boot sequence from the available devices USB Storage Device; Hard Drive; CD/DVD/CD-RW Drive; Diskette Drive; Network; Disabled (USB Storage Device by default)
Exit	
Exit Options	Provides options to Save Changes and Reset , Discard Changes and Reset , and Load Defaults

Boot Sequence

This feature allows you to change the boot sequence for devices.

Boot Options

1. **Diskette Drive** — The computer attempts to boot from the floppy disk drive. If no operating system is on the drive, the computer generates an error message.
1. **Hard Drive** — The computer attempts to boot from the primary hard drive. If no operating system is on the drive, the computer generates an error message.
1. **CD/DVD/CD-RW Drive** — The computer attempts to boot from the CD/DVD/CD-RW drive. If no CD/DVD/CD-RW is in the drive, or if the CD/DVD/CD-RW has no operating system, the computer generates an error message.
1. **USB Storage Device** — Insert the memory device into a USB connector and restart the computer. When **F12 Boot Options** appears in the lower-right corner of the screen, press <F12>. The BIOS detects the device and adds the USB flash option to the boot menu.


 **NOTE:** To boot to a USB device, the device must be bootable. To ensure that your device is bootable, check the device documentation.

1. **Network** — The computer attempts to boot from the network. If no operating system is found on the network, the computer generates an error message.

Changing Boot Sequence for the Current Boot

You can use this feature to change the current boot sequence, for example, to boot from the CD/DVD/CD-RW drive to run Dell Diagnostics from the *Drivers and Utilities* disc. On completion of diagnostic tests, the previous boot sequence is restored.

1. If you are booting from a USB device, connect the USB device to a USB connector.
2. Turn on (or restart) your computer.
3. When **F2 Setup**, **F12 Boot Options** appears in the lower-right corner of the screen, press <F12>.

 **NOTE:** If you wait too long and the operating system logo appears, continue to wait until you see the Microsoft® Windows® desktop. Then shut down your computer and try again.


The **Boot Device Menu** appears, listing all available boot devices.

4. On the **Boot Device Menu** choose the device you want to boot from.
For example, if you are booting to a USB memory key, highlight **USB Storage Device** and press <Enter>.

 **NOTE:** To boot to a USB device, the device must be bootable. To ensure your device is bootable, check the device documentation.

Changing Boot Sequence for Future Boots

1. Enter system setup utility (see [Entering System Setup Utility](#)).
2. Use the arrow keys to highlight the **Boot** menu option and press <Enter> to access the menu.

 **NOTE:** Write down your current boot sequence in case you want to restore it.

3. Press the up- and down-arrow keys to move through the list of devices.

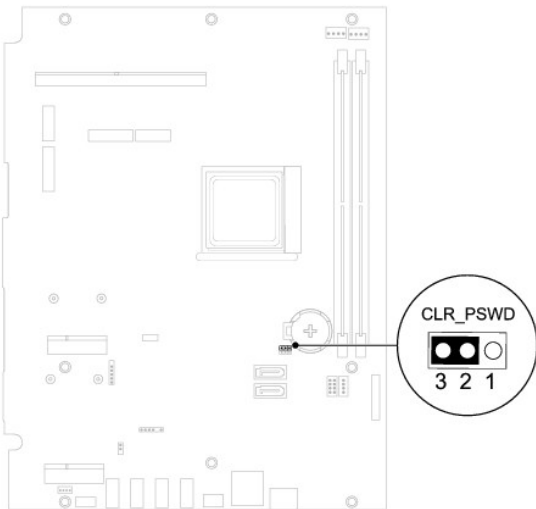
4. Press plus (+) or minus (-) to change the boot priority of the device.

Clearing Forgotten Passwords

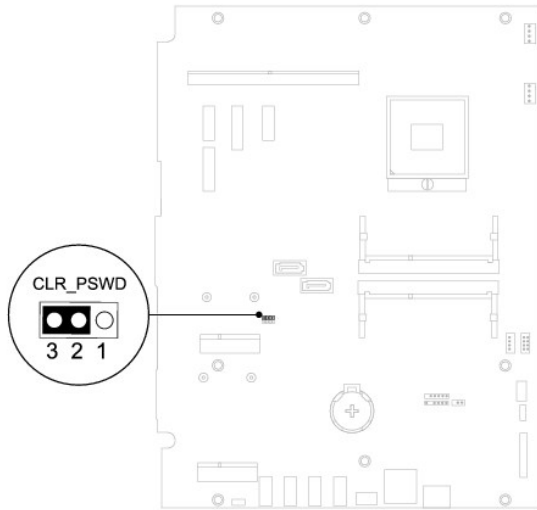
- WARNING:** Before you begin any of the procedures in this section, follow the safety instructions that shipped with your computer.
- WARNING:** The computer must be disconnected from the electrical outlet to clear the CMOS setting.
- CAUTION:** Only a certified service technician should perform repairs on your computer. Damage due to servicing that is not authorized by Dell™ is not covered by your warranty.
- CAUTION:** To avoid electrostatic discharge, ground yourself by using a wrist grounding strap or by periodically touching an unpainted metal surface (such as a connector on your computer).

1. Follow the instructions in [Before You Begin](#).
2. Remove the back cover (see [Removing the Back Cover](#)).
3. Remove the system-board shield (see [Removing the System-Board Shield](#)).
4. Locate the 3-pin password reset jumper (CLR_PSWD) on the system board. (see [System Board Components](#)).
5. Remove the 2-pin jumper plug from pins 2 and 3 and fix it on pins 1 and 2.

Inspiron One 2305



Inspiron One 2310



6. Wait for approximately five seconds to clear the password setting.
7. Remove the 2-pin jumper plug from pins 1 and 2 and replace it on pins 2 and 3.
8. Replace the system-board shield (see [Replacing the System-Board Shield](#)).
9. Replace the back cover (see [Replacing the Back Cover](#)).

CAUTION: Before turning on the computer, replace all screws and ensure that no stray screws remain inside the computer. Failure to do so may result in damage to the computer.

10. Connect your computer and devices to electrical outlets, and turn them on.

Clearing CMOS Passwords

WARNING: Before you begin any of the procedures in this section, follow the safety instructions that shipped with your computer.

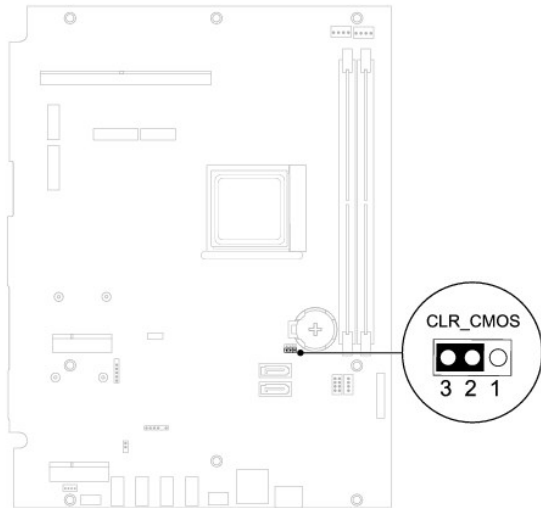
WARNING: The computer must be disconnected from the electrical outlet to clear the CMOS setting.

CAUTION: Only a certified service technician should perform repairs on your computer. Damage due to servicing that is not authorized by Dell™ is not covered by your warranty.

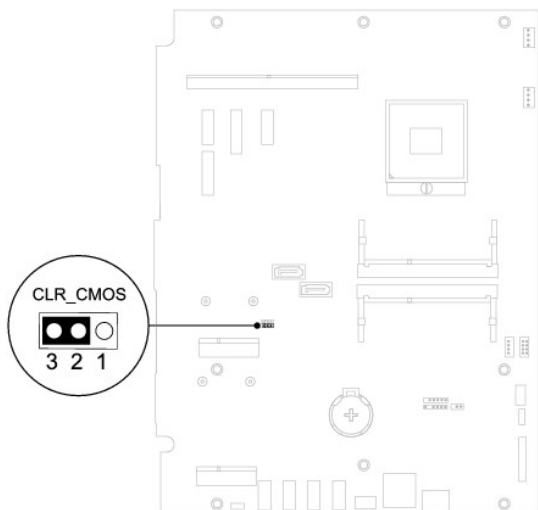
CAUTION: To avoid electrostatic discharge, ground yourself by using a wrist grounding strap or by periodically touching an unpainted metal surface (such as a connector on your computer).

1. Follow the instructions in [Before You Begin](#).
2. Remove the back cover (see [Removing the Back Cover](#)).
3. Remove the system-board shield (see [Removing the System-Board Shield](#)).
4. Locate the 3-pin CMOS reset jumper (CLR_CMOS) on the system board. (see [System Board Components](#)).
5. Remove the 2-pin jumper plug from pins 2 and 3 and fix it on pins 1 and 2.

Inspiron One 2305



Inspiron One 2310



6. Wait for approximately five seconds to clear the CMOS setting.
7. Remove the 2-pin jumper plug from pins 1 and 2 and replace it on pins 2 and 3.
8. Replace the system-board shield (see [Replacing the System-Board Shield](#)).
9. Replace the back cover (see [Replacing the Back Cover](#)).

CAUTION: Before turning on the computer, replace all screws and ensure that no stray screws remain inside the computer. Failure to do so may result in damage to the computer.

10. Connect your computer and devices to electrical outlets, and turn them on.

[Back to Contents Page](#)

Technical Overview

Dell™ Inspiron™ One 2305/2310 Service Manual

- [Inside View of Your Inspiron One](#)
- [System Board Components](#)

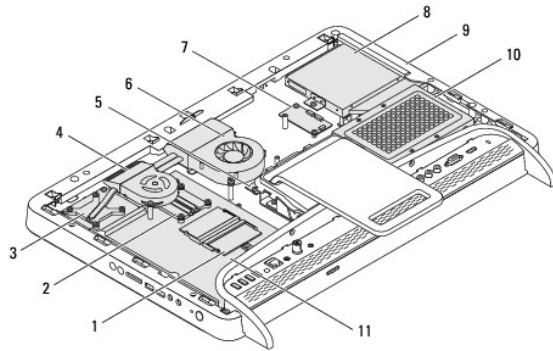
WARNING: Before working inside your computer, read the safety information that shipped with your computer. For additional safety best practices information, see the Regulatory Compliance Homepage at www.dell.com/regulatory_compliance.

CAUTION: Only a certified service technician should perform repairs on your computer. Damage due to servicing that is not authorized by Dell™ is not covered by your warranty.

CAUTION: To avoid electrostatic discharge, ground yourself by using a wrist grounding strap or by periodically touching an unpainted metal surface (such as a connector on your computer).

Inside View of Your Inspiron One

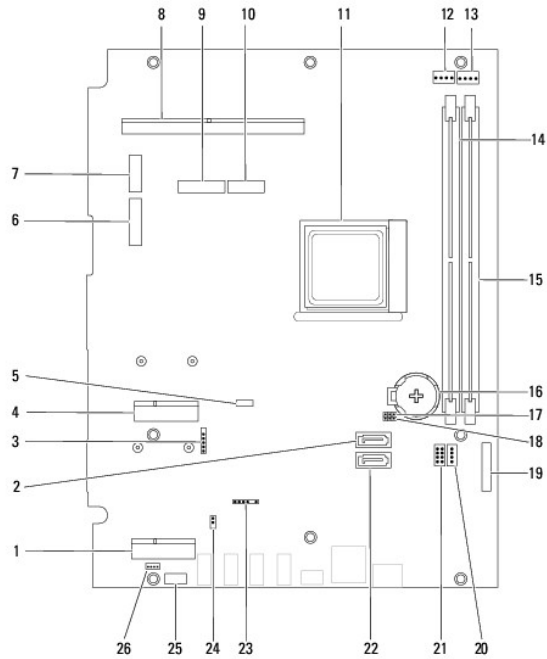
NOTE: The appearance of the system board may vary based on your computer model.



1	memory module(s)	2	processor heat-sink
3	MXM-assembly heat sink	4	MXM-assembly fan
5	converter card	6	processor heat-sink fan
7	touch screen control card	8	optical drive
9	middle frame	10	hard-drive assembly
11	system board		

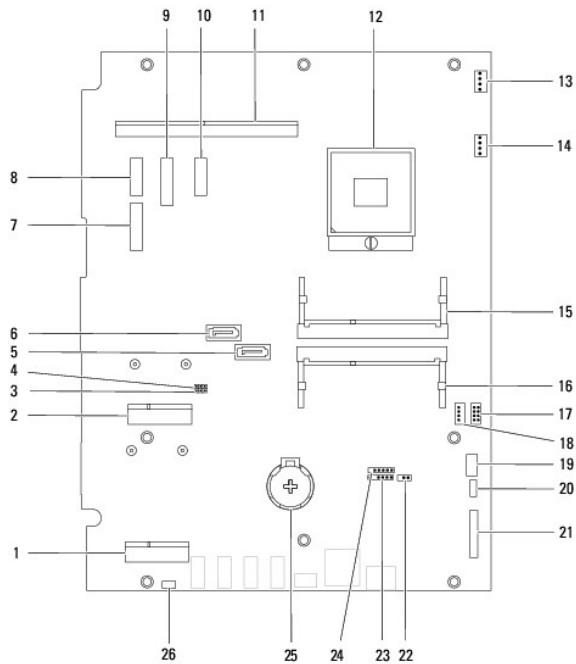
System Board Components

Inspiron™ One 2305



1	TV tuner card slot (TV TUNER)	2	SATA connector (ODD)
3	touch-screen cable connector (Touch)	4	Mini-Card slot (WLAN\COMBO)
5	Bluetooth cable connector (BT)	6	display cable connector (when both MXM card and audio video card are present) (AV IN_MXM)
7	display cable connector (when only MXM card is present) (LVDS_MXM)	8	MXM-assembly connector
9	display cable connector (when only audio video card is present) (AV IN_NB)	10	display cable connector (when both MXM card and audio video card are absent) (LVDS_NB)
11	processor socket	12	MXM-fan cable connector (MXM FAN)
13	processor heat-sink fan cable connector (CPU FAN)	14	memory-module connector (CHA-DIMM)
15	memory-module connector (CHB-DIMM)	16	battery socket (BT1)
17	password jumper (CLR_PSWD)	18	CMOS jumper (CLR_CMOS)
19	converter-card cable connector	20	optical-drive power cable connector (ODD PWR)
21	hard-drive power cable connector (HDD PWR)	22	SATA connector (HDD)
23	infrared cable connector (CIR Receiver)	24	infrared blaster cable connector (CIR Emitter)
25	camera cable connector (CN 25)	26	speaker cable connector (CN 10)

Inspiron One 2310



1	TV tuner card slot (TV TUNER)	2	Mini-Card slot (WLAN\COMBO)
3	CMOS jumper (CLR_CMOS)	4	password jumper (CLR_PSWD)
5	SATA drive connector (SATA 1)	6	SATA drive connector (SATA 0)
7	display cable connector (when both MXM card and audio video card are present) (AVIN_MXM)	8	display cable connector (when only MXM card is present) (LVDS_MXM)
9	display cable connector (when only audio video card is present) (AVIN_UMA)	10	display cable connector (when both MXM card and audio video card are absent) (LVDS_UMA)
11	MXM-assembly connector	12	processor socket
13	MXM-fan connector (MXM FAN)	14	processor heat-sink fan connector (CPU FAN)
15	memory-module connector	16	memory-module connector
17	hard-drive power cable connector (HDD PWR)	18	optical-drive power cable connector (ODD PWR)
19	camera cable connector	20	Bluetooth cable connector (BT)
21	converter-card cable connector	22	infrared blaster cable connector
23	infrared cable connector	24	touch-screen cable connector (Touch)
25	battery socket (BT1)	26	speaker cable connector

[Back to Contents Page](#)

[Back to Contents Page](#)

Dell™ Inspiron™ One 2305/2310 Service Manual



NOTE: A NOTE indicates important information that helps you make better use of your computer.



CAUTION: A CAUTION indicates either potential damage to hardware or loss of data and tells you how to avoid the problem.



WARNING: A WARNING indicates a potential for property damage, personal injury, or death.

Information in this document is subject to change without notice.
© 2010 Dell Inc. All rights reserved.

Reproduction of these materials in any manner whatsoever without the written permission of Dell Inc. is strictly forbidden.

Trademarks used in this text: *Dell*, the *DELL* logo, and *Inspiron* are trademarks of Dell Inc.; *Bluetooth* is a registered trademark owned by Bluetooth SIG, Inc. and is used by Dell under license; *Microsoft*, *Windows*, and the *Windows* start button logo are either trademarks or registered trademarks of Microsoft Corporation in the United States and/or other countries.

Other trademarks and trade names may be used in this document to refer to either the entities claiming the marks and names or their products. Dell Inc. disclaims any proprietary interest in trademarks and trade names other than its own.

August 2010 Rev. A00

[Back to Contents Page](#)

Antenna-In Connector

Dell™ Inspiron™ One 2305/2310 Service Manual

- [Removing the Antenna-In Connector](#)
- [Replacing the Antenna-In Connector](#)

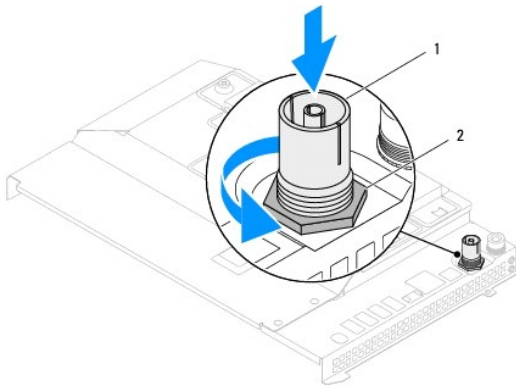
WARNING: Before working inside your computer, read the safety information that shipped with your computer. For additional safety best practices information, see the Regulatory Compliance Homepage at www.dell.com/regulatory_compliance.

CAUTION: Only a certified service technician should perform repairs on your computer. Damage due to servicing that is not authorized by Dell™ is not covered by your warranty.

CAUTION: To avoid electrostatic discharge, ground yourself by using a wrist grounding strap or by periodically touching an unpainted metal surface (such as a connector on your computer).

Removing the Antenna-In Connector

1. Follow the instructions in [Before You Begin](#).
2. Remove the back cover (see [Removing the Back Cover](#)).
3. Follow the instructions from [step 2](#) to [step 5](#) in [Removing the Front Stand](#).
4. Follow the instructions from [step 4](#) to [step 8](#) in [Removing the System-Board Shield](#).
5. Remove the hex nut that secures the antenna-in connector to the system-board shield.
6. Release the antenna-in connector from the slot on the system-board shield.
7. Lift the antenna-in connector along with its cable away from the system-board shield.




1	antenna-in connector	2	hex nut
---	----------------------	---	---------

Replacing the Antenna-In Connector

1. Follow the instructions in [Before You Begin](#).
2. Slide the antenna-in connector into the slot on the system-board shield.
3. Replace the hex nut that secures the antenna-in connector to the system-board shield.
4. Follow the instructions from [step 4](#) to [step 8](#) in [Replacing the System-Board Shield](#).
5. Follow the instructions from [step 4](#) to [step 5](#) in [Replacing the Front Stand](#).

6. Replace the back cover (see [Replacing the Back Cover](#)).

 **CAUTION:** Before turning on the computer, replace all screws and ensure that no stray screws remain inside the computer. Failure to do so may result in damage to the computer.

7. Connect your computer and all attached devices to electrical outlets, and turn them on.
-

[Back to Contents Page](#)

Wireless Antenna

Dell™ Inspiron™ One 2305/2310 Service Manual

- [Removing the Wireless Antenna](#)
- [Replacing the Wireless Antenna](#)

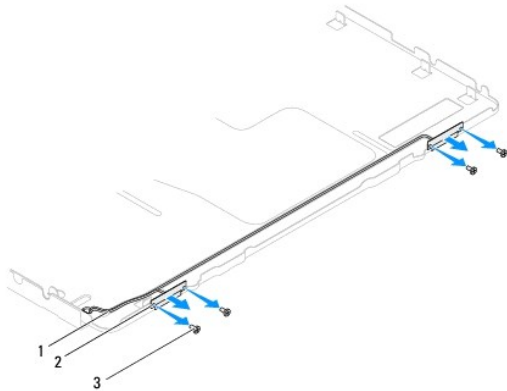
WARNING: Before working inside your computer, read the safety information that shipped with your computer. For additional safety best practices information, see the Regulatory Compliance Homepage at www.dell.com/regulatory_compliance.

CAUTION: Only a certified service technician should perform repairs on your computer. Damage due to servicing that is not authorized by Dell™ is not covered by your warranty.

CAUTION: To avoid electrostatic discharge, ground yourself by using a wrist grounding strap or by periodically touching an unpainted metal surface (such as a connector on your computer).

Removing the Wireless Antenna

1. Follow the instructions in [Before You Begin](#).
2. Remove the display panel (see [Removing the Display Panel](#)).
3. Remove the four screws (two on each wireless antenna) that secure the wireless antenna to the chassis.
4. Make a note of the wireless antenna cables routing on the chassis and remove the cables from the chassis.
5. Lift the wireless antenna along with its cables away from the chassis.



1	wireless antenna cables	2	wireless antenna (2)
3	screws (4)		

Replacing the Wireless Antenna

1. Follow the instructions in [Before You Begin](#).
2. Route the wireless antenna cables on the chassis.
3. Align the screw holes on the wireless antenna with the screw holes on the chassis.
4. Replace the four screws (two on each wireless antenna) that secure the wireless antenna to the chassis.
5. Replace the display panel (see [Removing the Display Panel](#)).

CAUTION: Before turning on the computer, replace all screws and ensure that no stray screws remain inside the computer. Failure to do so may result in damage to the computer.

6. Connect your computer and all attached devices to electrical outlets, and turn them on.

[Back to Contents Page](#)