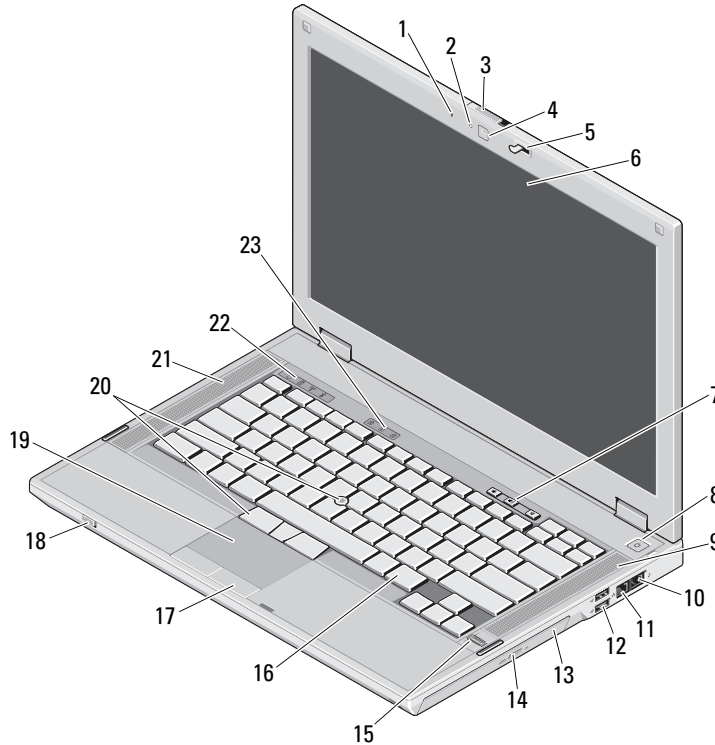


Dell™ Latitude™ E5410/E5510

Setup and Features Information

Latitude E5410 — Front View



About Warnings



WARNING: A WARNING indicates a potential for property damage, personal injury, or death.

- 1 built-in microphone
- 2 camera status LED (optional)
- 3 display latch release switch
- 4 camera (optional)
- 5 display latch
- 6 display
- 7 volume control buttons
- 8 power button
- 9 right speaker
- 10 modem connector (optional)
- 11 network connector
- 12 USB 2.0 connectors (2)
- 13 optical drive
- 14 optical drive eject button
- 15 fingerprint reader (optional)
- 16 keyboard
- 17 touchpad buttons
- 18 wireless switch
- 19 touchpad
- 20 trackstick and trackstick buttons (optional)
- 21 left speaker
- 22 device status lights
- 23 keyboard status lights

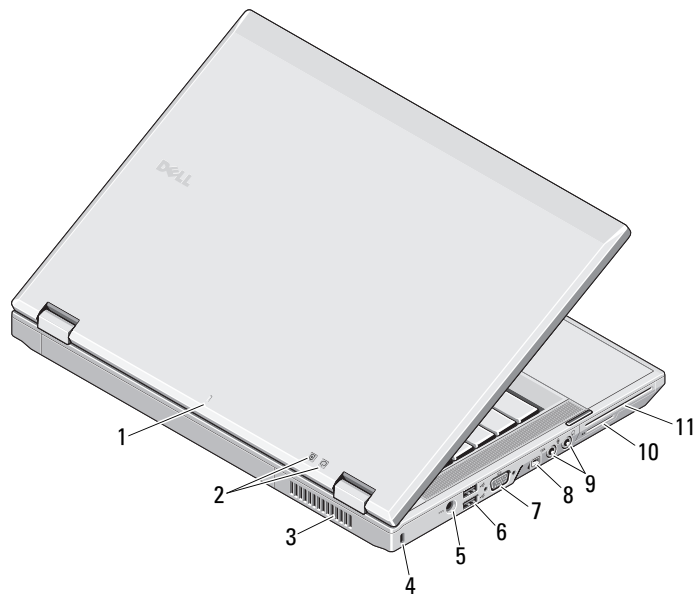


Regulatory Models: P06G and P05F

Regulatory Types: P06G001 and P05F001

May 2010

Latitude E5410 — Back View

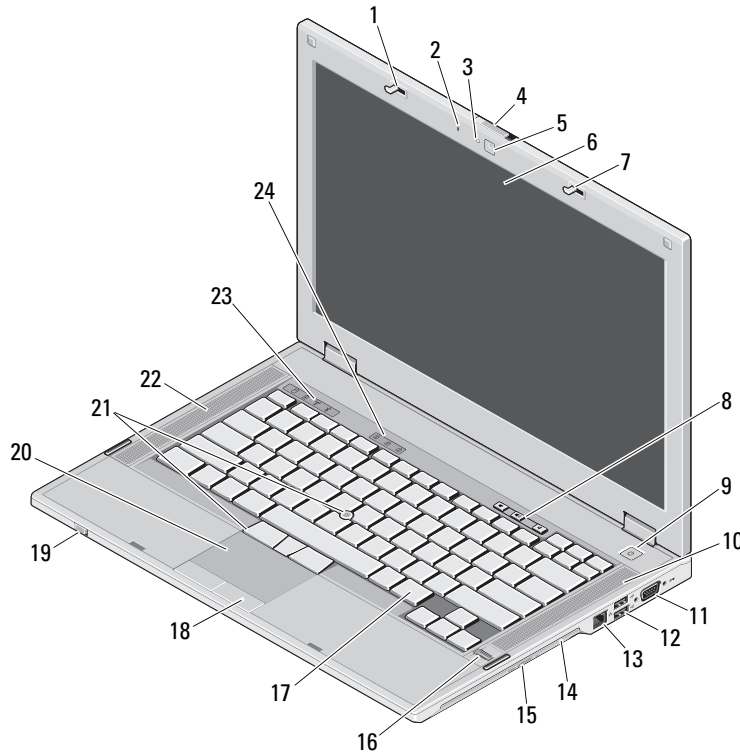


- 1 docking alignment mark
- 2 power and battery status indicators
- 3 cooling vent
- 4 security cable slot
- 5 AC adapter connector
- 6 USB 2.0 connectors (2)
- 7 video connector (VGA)
- 8 IEEE 1394a connector
- 9 audio connectors
- 10 media-card slot
- 11 PC card/smart card/ExpressCard slot



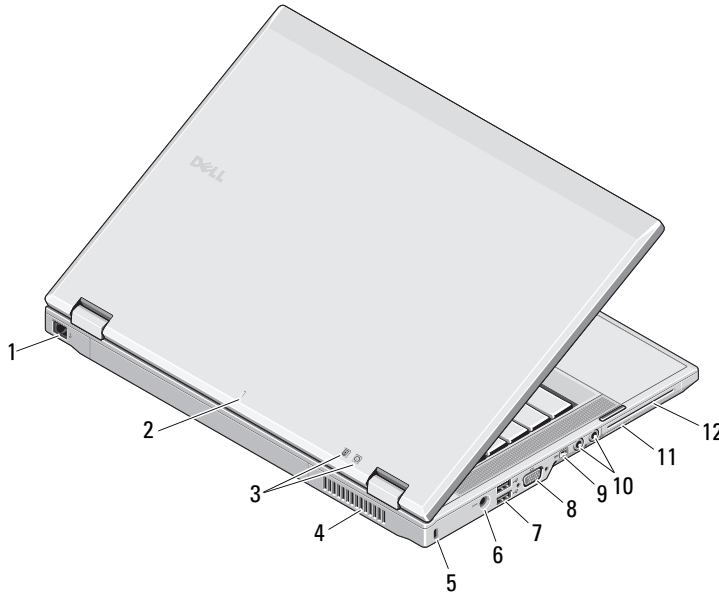
WARNING: Do not block, push objects into, or allow dust to accumulate in the air vents. Do not store your Dell computer in a low-airflow environment, such as a closed briefcase, while it is running. Restricting the airflow can damage the computer or cause a fire. The computer turns on the fan when the computer gets hot. Fan noise is normal and does not indicate a problem with the fan or the computer.

Latitude E5510 — Front View



- 1 display latch
- 2 built-in microphone
- 3 camera status LED (optional)
- 4 display latch release switch
- 5 camera (optional)
- 6 display
- 7 display latch
- 8 volume control buttons
- 9 power button
- 10 right speaker
- 11 serial connector
- 12 USB 2.0 connectors (2)
- 13 network connector
- 14 optical drive
- 15 optical drive eject button
- 16 fingerprint reader (optional)
- 17 keyboard
- 18 touchpad buttons
- 19 wireless switch
- 20 touchpad
- 21 trackstick and trackstick buttons (optional)
- 22 left speaker
- 23 device status lights
- 24 keyboard status lights

Latitude E5510 — Back View



- 1 modem connector (optional)
- 2 docking alignment mark
- 3 power and battery status indicators
- 4 cooling vent
- 5 security cable slot
- 6 AC adapter connector
- 7 USB 2.0 connectors (2)
- 8 video connector (VGA)
- 9 IEEE 1394a connector
- 10 audio connectors
- 11 media-card slot
- 12 PC card/smart card/ExpressCard slot



WARNING: Do not block, push objects into, or allow dust to accumulate in the air vents. Do not store your Dell computer in a low-airflow environment, such as a closed briefcase, while it is running. Restricting the airflow can damage the computer or cause a fire. The computer turns on the fan when the computer gets hot. Fan noise is normal and does not indicate a problem with the fan or the computer.

Quick Setup



WARNING: Before you begin any of the procedures in this section, read the safety information that shipped with your computer. For additional best practices information, see www.dell.com/regulatory_compliance.



WARNING: The AC adapter works with electrical outlets worldwide. However, power connectors and power strips vary among countries. Using an incompatible cable or improperly connecting the cable to the power strip or electrical outlet may cause fire or equipment damage.



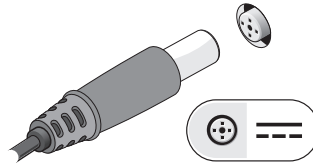
CAUTION: When you disconnect the AC adapter cable from the computer, grasp the connector, not the cable itself, and pull firmly but gently to avoid damaging the cable. When you wrap the AC adapter cable, ensure that you follow the angle of the connector on the AC adapter to avoid damaging the cable.



NOTE: Some devices may not be included if you did not order them.

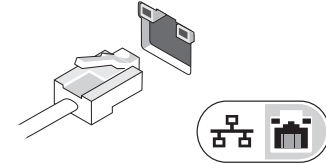
1

Connect the AC adapter to the AC adapter connector on the portable computer and to the electrical outlet.



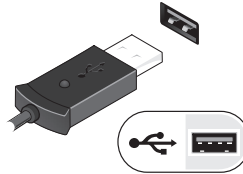
2

Connect the network cable (optional).



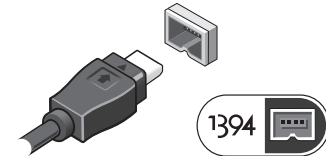
3

Connect USB devices, such as a mouse or a keyboard (optional).



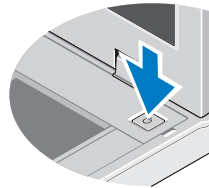
4

Connect IEEE 1394a devices, such as a DVD player (optional).



5

Open the computer display and press the power button to turn on the computer.



NOTE: It is recommended that you turn on and shut down your computer at least once before you install any cards or connect the computer to a docking device or other external device, such as a printer.

Specifications



NOTE: Offerings may vary by region. For more information regarding the configuration of your computer, click **Start**→**Help and Support** and select the option to view information about your computer.

System Information

Processor type	Intel® Core™ i3, i5, and i7 series Intel Celeron™
Chipset	Intel HM55 Express Chipset

Video

Video type	Intel UMA video
Data bus	integrated video
Video controller	Intel Graphics Media Accelerator HD

Memory

Memory module connectors	two SODIMM slots
Memory module capacity	1 GB, 2 GB, 4 GB, 8 GB
Memory type	DDR3 1333 MHz SDRAM (operating at 1066 MHz)
Minimum memory	1 GB
Maximum memory	8 GB

NOTE: Only 64-bit operating systems support more than 4 GB memory

Battery

Type	4-, 6-, or 9-cell "smart" lithium ion
Dimensions	
Height	
4- and 6-cell	19.80 mm (0.78 inch)
9-cell	21.10 mm (0.83 inch)
Width	
4- and 6-cell	206.00 mm (8.11 inches)
9-cell	224.00 mm (8.82 inches)
Depth	
4- and 6-cell	54.00 mm (2.12 inches)
9-cell	76.00 mm (2.99 inches)
Weight	
4-cell	252 g (0.55 lb)
6-cell	326 g (0.72 lb)
9-cell	487 g (1.07 lb)
Voltage	
4-cell	14.8 VDC
6- and 9-cell	11.1 VDC
Temperature range	
Operating	0 °C to 35 °C (32 °F to 95 °F)
Storage	-40 °C to 65 °C (-40 °F to 149 °F)
Coin-cell battery	3 V CR2032 lithium coin cell

AC Adapter	
Input voltage	100 VAC–240 VAC
Input current (maximum)	1.5 A
Input frequency	50 Hz–60 Hz
Output power	65 W or 90 W
Output current	
65 W	3.34 A (continuous)
90 W	4.62 A (continuous)
Rated output voltage	19.5 +/- 1.0 VDC
Dimensions	
65 W	
Height	16 mm (0.62 inch)
Width	66 mm (2.59 inches)
Length	127 mm (4.99 inches)
90 W	
Height	16 mm (0.62 inch)
Width	70 mm (2.75 inches)
Length	147 mm (5.78 inches)
Temperature range	
Operating	0 °C to 35 °C (32 °F to 95 °F)
Storage	-40 °C to 65 °C (-40 °F to 149 °F)

Physical		
Height		
E5410		33.2 mm (1.31 inches)
E5510		33.8 mm (1.33 inches)
Width		
E5410		338 mm (13.31 inches)
E5510		371 mm (14.61 inches)
Depth		
E5410		244 mm (9.61 inches)
E5510		250 mm (9.84 inches)
Weight		
E5410		2.39 kg (5.27 lb)
E5510		2.59 kg (5.70 lb)
Environmental		
Temperature range		
Operating		0 °C to 35 °C (32 °F to 95 °F)
Storage		-40 °C to 65 °C (-40 °F to 149 °F)
Relative humidity (maximum)		
Operating		10% to 90% (noncondensing)
Storage		5% to 95% (noncondensing)
Altitude (maximum)		
Operating		-15.2 m to 3048 m (-50 ft to 10,000 ft)
Storage		-15.2 m to 10,668 m (-50 ft to 35,000 ft)

Finding More Information and Resources

See the safety and regulatory documents that shipped with your computer and the regulatory compliance website at

www.dell.com/regulatory_compliance for more information on:

- Safety best practices
- Warranty
- Terms and Conditions
- Regulatory certification
- Ergonomics
- End User License Agreement

Information in this document is subject to change without notice.

© 2010 Dell Inc. All rights reserved.

Reproduction of these materials in any manner whatsoever without the written permission of Dell Inc. is strictly forbidden.

Trademarks used in this text: *Dell*, the *DELL* logo, and *Latitude* are trademarks of Dell Inc.; *Intel* is a registered trademark and *Celeron* and *Core* are trademarks of Intel Corporation in the U.S. and other countries.

Other trademarks and trade names may be used in this document to refer to either the entities claiming the marks and names or their products. Dell Inc. disclaims any proprietary interest in trademarks and trade names other than its own.