

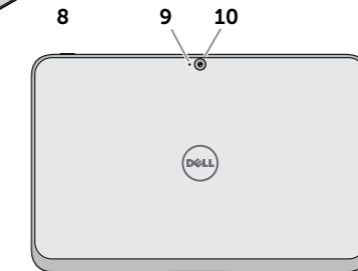
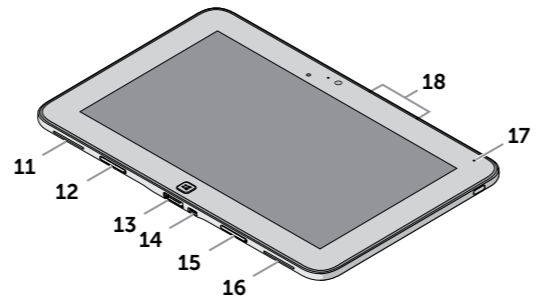
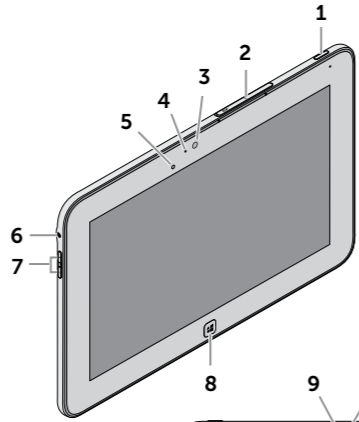
Quick Start Guide

Translated Text Here | Translated Text Here
Translated Text Here | Translated Text Here



About Your Tablet

About Your Tablet | About Your Tablet
About Your Tablet | About Your Tablet



- 1. Power button
- 2. MicroSD and micro-SIM card slot
- 3. Front camera
- 4. Camera-status light
- 5. Ambient-light sensor
- 6. Headphone port
- 7. Volume buttons (2)
- 8. Windows button
- 9. Rear microphone
- 10. Rear camera
- 11. Speaker
- 12. Docking-latch slot
- 13. Power-adapter/docking port
- 14. Micro-USB port
- 15. Docking-latch slot
- 16. Speaker
- 17. Battery-charging light
- 18. Front microphones (2)

- 1. Power button
- 2. MicroSD and micro-SIM card slot
- 3. Front camera
- 4. Camera-status light
- 5. Ambient-light sensor
- 6. Headphone port
- 7. Volume buttons (2)
- 8. Windows button
- 9. Rear microphone
- 10. Rear camera
- 11. Speaker
- 12. Docking-latch slot
- 13. Power-adapter/docking port
- 14. Micro-USB port
- 15. Docking-latch slot
- 16. Speaker
- 17. Battery-charging light
- 18. Front microphones (2)

- 1. Power button
- 2. MicroSD and micro-SIM card slot
- 3. Front camera
- 4. Camera-status light
- 5. Ambient-light sensor
- 6. Headphone port
- 7. Volume buttons (2)
- 8. Windows button
- 9. Rear microphone
- 10. Rear camera
- 11. Speaker
- 12. Docking-latch slot
- 13. Power-adapter/docking port
- 14. Micro-USB port
- 15. Docking-latch slot
- 16. Speaker
- 17. Battery-charging light
- 18. Front microphones (2)

- 1. Power button
- 2. MicroSD and micro-SIM card slot
- 3. Front camera
- 4. Camera-status light
- 5. Ambient-light sensor
- 6. Headphone port
- 7. Volume buttons (2)
- 8. Windows button
- 9. Rear microphone
- 10. Rear camera
- 11. Speaker
- 12. Docking-latch slot
- 13. Power-adapter/docking port
- 14. Micro-USB port
- 15. Docking-latch slot
- 16. Speaker
- 17. Battery-charging light
- 18. Front microphones (2)

- 1. Power button
- 2. MicroSD and micro-SIM card slot
- 3. Front camera
- 4. Camera-status light
- 5. Ambient-light sensor
- 6. Headphone port
- 7. Volume buttons (2)
- 8. Windows button
- 9. Rear microphone
- 10. Rear camera
- 11. Speaker
- 12. Docking-latch slot
- 13. Power-adapter/docking port
- 14. Micro-USB port
- 15. Docking-latch slot
- 16. Speaker
- 17. Battery-charging light
- 18. Front microphones (2)

Before Sending Your Tablet for Repair

Dell may reset your tablet to factory settings to resolve the issue with your tablet. Back up your data before sending your tablet for repair.

Before Sending Your Tablet for Repair

Dell may reset your tablet to factory settings to resolve the issue with your tablet. Back up your data before sending your tablet for repair.

Before Sending Your Tablet for Repair

Dell may reset your tablet to factory settings to resolve the issue with your tablet. Back up your data before sending your tablet for repair.

Before Sending Your Tablet for Repair

Dell may reset your tablet to factory settings to resolve the issue with your tablet. Back up your data before sending your tablet for repair.

Before Sending Your Tablet for Repair

Dell may reset your tablet to factory settings to resolve the issue with your tablet. Back up your data before sending your tablet for repair.

More Information

For more information on your tablet, see the *User's Manual* available on your tablet or support.dell.com/manuals.

More Information

For more information on your tablet, see the *User's Manual* available on your tablet or support.dell.com/manuals.

More Information

For more information on your tablet, see the *User's Manual* available on your tablet or support.dell.com/manuals.

More Information

For more information on your tablet, see the *User's Manual* available on your tablet or support.dell.com/manuals.

More Information

For more information on your tablet, see the *User's Manual* available on your tablet or support.dell.com/manuals.

© 2013 Dell Inc.

Dell™, the DELL logo, and XPS™ are trademarks of Dell Inc.

© 2013 Dell Inc.

Dell™, the DELL logo, and XPS™ are trademarks of Dell Inc.

© 2013 Dell Inc.

Dell™, the DELL logo, and XPS™ are trademarks of Dell Inc.

© 2013 Dell Inc.

Dell™, the DELL logo, and XPS™ are trademarks of Dell Inc.

© 2013 Dell Inc.

Dell™, the DELL logo, and XPS™ are trademarks of Dell Inc.



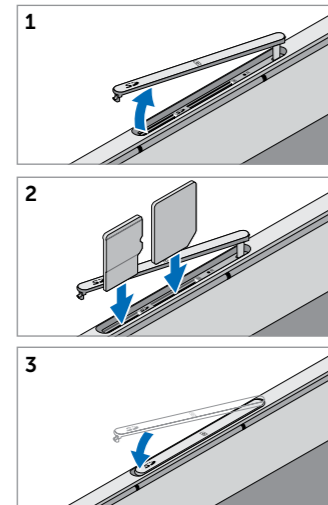
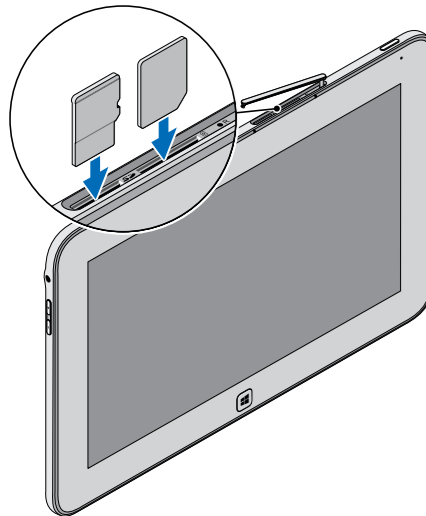
OPTDCGA00

Setting Up Your Tablet

Setting Up Your Tablet | Setting Up Your Tablet
Setting Up Your Tablet | Setting Up Your Tablet

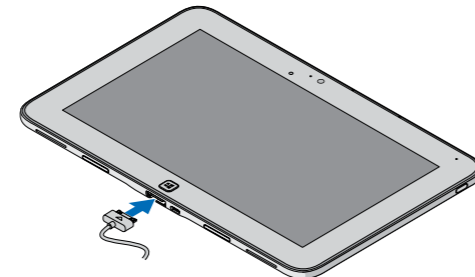
Insert the microSD (optional) and micro-SIM card

Insert the microSD (optional) and micro-SIM card | Insert the microSD (optional) and micro-SIM card
Insert the microSD (optional) and micro-SIM card | Insert the microSD (optional) and micro-SIM card



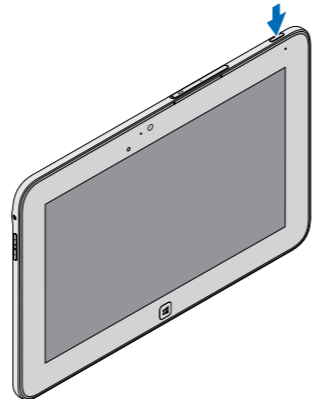
Charge the battery (at least 4 hours)

Charge the battery (at least 4 hours)
Charge the battery (at least 4 hours)
Charge the battery (at least 4 hours)



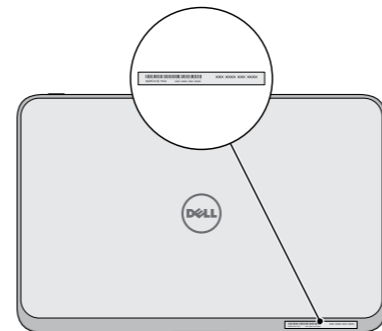
Press and hold the power button to turn on the tablet

Press and hold the power button to turn on the tablet
Press and hold the power button to turn on the tablet
Press and hold the power button to turn on the tablet



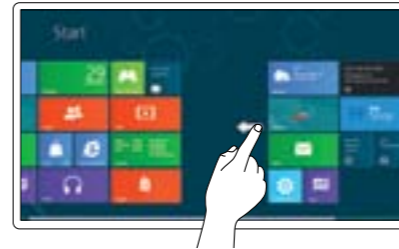
Locate the Service Tag

Locate the Service Tag
Locate the Service Tag
Locate the Service Tag



Windows 8

Tiles Tiles | Tiles | Tiles | Tiles



Swipe to access more tiles

Swipe to access more tiles
Swipe to access more tiles
Swipe to access more tiles

Resources Resources | Resources | Resources | Resources



Getting started

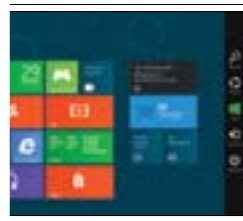
Getting started
Getting started
Getting started

My Dell Support Center

My Dell Support Center
My Dell Support Center
My Dell Support Center

Charms sidebar

Charms sidebar | Charms sidebar
Charms sidebar | Charms sidebar



Swipe from right edge of the display

Swipe from right edge of the display
Swipe from right edge of the display
Swipe from right edge of the display