

# Dell Edge Gateway 3001 Installation and Operation Manual

Regulatory Model: N03G  
Regulatory Type: N03G001



# Notes, cautions, and warnings



**NOTE:** A NOTE indicates important information that helps you make better use of your product.



**CAUTION:** A CAUTION indicates either potential damage to hardware or loss of data and tells you how to avoid the problem.



**WARNING:** A WARNING indicates a potential for property damage, personal injury, or death.

# Contents

1 Overview.....	5
2 System views.....	6
Top view.....	6
Bottom view.....	7
Left view.....	7
Right view.....	9
3 Installing your Edge Gateway.....	10
Professional installation instructions.....	10
Instructions d'installation professionnelles.....	11
Federal Communication Commission interference statement.....	11
Industry Canada statement.....	12
Setting up your Edge Gateway.....	12
Activating your mobile broadband.....	17
Mounting your Edge Gateway.....	19
Mounting the Edge Gateway using the standard-mount bracket.....	19
Mounting the Edge Gateway on a DIN rail using the DIN-rail bracket.....	25
Mounting the Edge Gateway using the quick-mount bracket.....	28
Mounting the Edge Gateway using the perpendicular mount.....	35
Attaching the cable control bars to the standard-mount bracket.....	40
Mounting the Edge Gateway using a VESA mount.....	43
4 Setting up your operating system.....	45
Windows 10 Enterprise LTSB 2016.....	45
Overview.....	45
Setting up Windows 10 Enterprise LTSB 2016.....	45
Boot up and login.....	45
Windows 10 IOT Enterprise LTSB 2016 basic functions.....	45
Snappy Ubuntu Core Series 16.....	46
Overview.....	46
Boot up and log in.....	46
Updating operating system and applications.....	47
Useful commands.....	48
Network Communication Interfaces.....	49
Additional Communication Interfaces.....	51
Security.....	52
Watchdog Timer.....	52
Cloud Light.....	52
Restoring Snappy Ubuntu Core Series 16.....	53



Flashing a new OS Image.....	53
Flashing the BIOS.....	54
Edge Gateway CAN Module Functions.....	54
5 References.....	56
6 Contacting Dell.....	57



# Overview

The Edge Gateway 3000 Series is an Internet of Things device. It is mounted at the edge of a network, enabling you to collect, secure, analyze, and act on data from multiple devices and sensors. It enables you to connect with devices used in transportation, building automation, manufacturing, and other applications. The Edge Gateway has a low-power architecture, which is capable of supporting industrial automation workloads while remaining fanless for environmental and reliability requirements. It supports Windows 10 IoT Enterprise LTSB 2016 and Snappy Ubuntu Core Series 16 operating systems.

**For FCC ID: E2K-N03G001 & IC:1514B-N03G001, it supports WiFi/BT 4.0 LE/BT+EDR without 3G/LTE function.**



## System views

### Top view

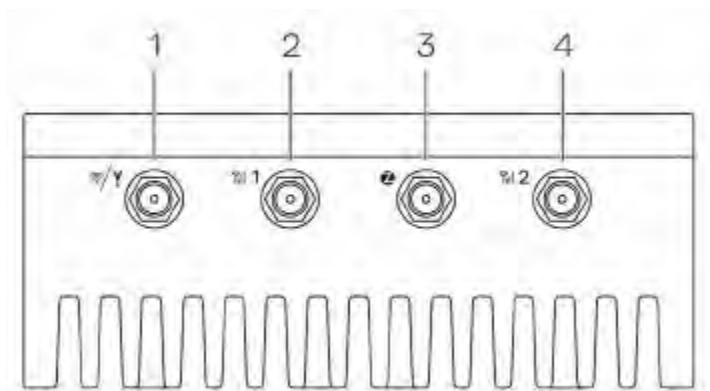


Table 1. Top view

Features		
1	Wireless LAN/Bluetooth/GPS port	Connect the antenna to increase the range and strength of wireless/bluetooth/satellite signals.
2	Mobile broadband antenna port one (3G/LTE)	Connect a mobile broadband antenna to increase the range and strength of mobile broadband signals.
3	ZigBee antenna port	Connect a ZigBee antenna for intermittent data transmissions from a ZigBee-compliant sensor or input device.
4	Mobile broadband antenna port two (LTE only)	Connect a mobile broadband antenna to increase the range and strength of mobile broadband signals.

## Bottom view

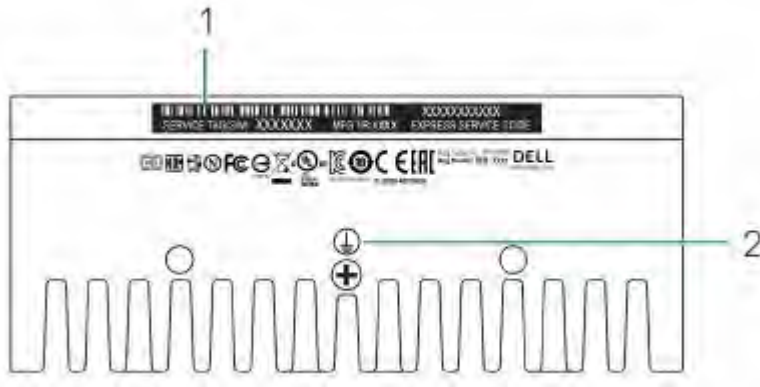


Table 2. Bottom view

Features		
1	Service Tag label	The Service Tag is a unique alphanumeric identifier that allows Dell Service technicians to identify the hardware components in your Edge Gateway and access warranty information.
2	Earth	A large conductor attached to one side of the power supply, which serves as the common return path for current from many different components in the circuit.

## Left view

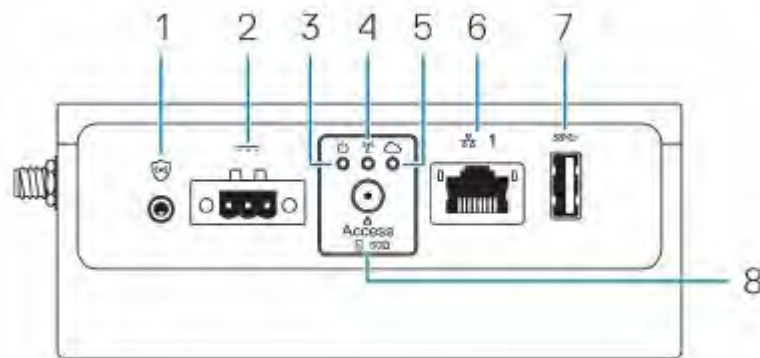





Table 3. Left view

Features		
1	Connector for external enclosure chassis intrusion switch (optional)	An intrusion event is triggered when the enclosure (in which the Edge Gateway is installed) is opened.  NOTE: External enclosure is sold separately.

- 2
Power/Ignition port


 NOTE: A intrusion event is triggered by a third-party enclosure to the Edge Gateway through a sensor. The sensor should have a cable, which is compatible with the intrusion switch connector on the Edge Gateway.

Connect a 12-57V DC power cable for supplying power to the Edge Gateway.

 NOTE: Power cable is sold separately.
- 3
Power status light


Indicates the power status.
- 4
Wireless LAN/Bluetooth status light

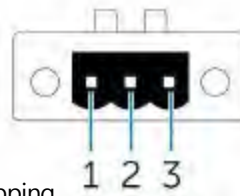

Indicates if WLAN/Bluetooth is ON or OFF.
- 5
Cloud-connection status light


Indicates the cloud connection status.
- 6
Ethernet port one (PoE)


Connect an Ethernet (RJ45) cable for network access. Provides data transfer speeds up to 10/100 Mbps. Also supports Power over Ethernet (IEEE 802.3af compliant PSE3.0).
- 7
USB 3.0 port


Connect a USB enabligh device. Provides data transfer speeds up to 5 Gbps.
- 8
micro-SIM/SD card access door


Insert a micro-SIM and/or SD card.



The following figure shows the power connector pin number mapping.

The following table

Table 4. Power connector pin definition details

Pin	Signal	Function
1	Power	12-57 VDC power
2	GND	Ground
3	IGN	9-37 VDC ignition

 NOTE: Pin 3 is connected to a vehicle's ignition status indicator (optional).



## Right view

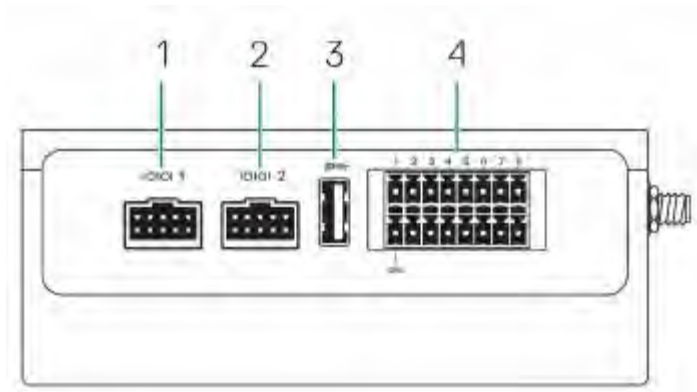



Table 5. Right view — 3001

Features		
1	RS232/RS422/RS485 port one (configurable in the BIOS)	Provides data transfer speeds up to 1 Mbps in RS232 and 12 Mbps in RS422/RS485.
2	RS232/RS422/RS485 port two (configurable in the BIOS)	Provides data transfer speeds up to 1 Mbps in RS-232 and 12 Mbps in RS422/RS485.
3	USB 2.0 port	Connect a USB enabled device. Provides data transfer speeds up to 480 Mbps.
4	GPIO port	Connect a GPIO enabled device or dongles.


The following table shows the GPIO-port pin definition details.

Table 6. GPIO-port pin definition details

Pin	1	3	5	7	9	11	13	15
Signal	GPIO0	GPIO1	GPIO2	GPIO3	GPIO4	GPIO5	GPIO6	GPIO7
Pin	2	4	6	8	10	12	14	16
Signal	GND	GND	GND	GND	GND	GND	GND	GND

 NOTE: GPIO1 to the GPIO15 pins are 0-5 V input/output and digital/analog configurable pins.

 NOTE: GPIO port is powered by analog devices' AD5593R.

 NOTE: Each pin has 100K series resistor between the connector and the AD5593R.



## Right view

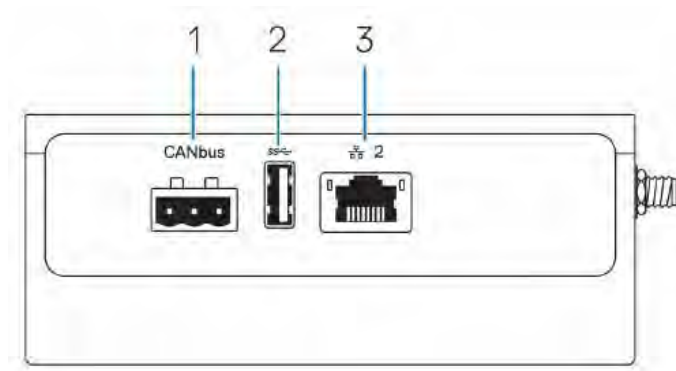


Table 5. Right view — 3002

### Features

1.	CANbus port	Enables the CANbus connection
2.	USB 2.0 port	Connect a USB enabled device. Provides data transfer speeds up to 480 Mbps.
3.	Ethernet port two (Non-Poe)	Connect an Ethernet (RJ45) cable for network access. Provides data transfer speeds up to 10/100 Mbps.

## Right view

### Features

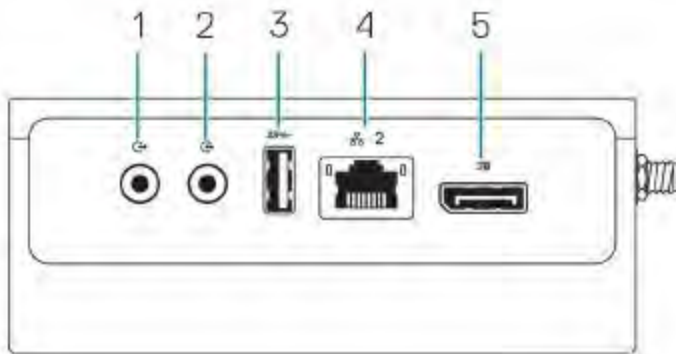





Table 5. Right view — 3003

### Features

1	Audio line-out (GREEN)	Connect audio-output devices such as speakers and amplifiers.
2	Audio line-in (BLUE)	Connect recording or playback devices.
3	USB 2.0 port	Connect a USB enabled device. Provides data transfer speeds up to 480 Mbps.
4	Ethernet port two (Non-PoE)	Connect an Ethernet (RJ45) cable for network access. Provides data transfer speeds up to 10/100 Mbps.
5	DisplayPort connector	Connect a monitor or another DisplayPort-enabled device. Provides video and audio output.

## Installing your Edge Gateway

-  **WARNING:** Before you begin any of the procedures in this section, read the safety information that shipped with your system. For additional best practices information, go to [www.dell.com/regulatory\\_compliance](http://www.dell.com/regulatory_compliance).
-  **WARNING:** The Edge Gateway is to be installed by knowledgeable, skilled persons familiar with local codes and regulations.
-  **WARNING:** The Edge Gateway is not designed for use in wet environments. If the Edge Gateway is to be installed in a wet environment, it must be installed in a panel box or enclosure with an Ingress Protection (IP) rating of IP54, IP65, or higher, depending on the location and environment.
-  **WARNING:** To reduce the risk of electric shock, power to the DC+ and DC- terminals must be provided by a power supply or transformer/rectifier circuit that is designed with double-insulation. The power supply or power circuit source must comply with local codes and regulations; for example, in the USA, NEC Class 2 (SELV/limited energy circuit, or LPS circuitry). Note that if powered by a battery, double-insulation is not required.
-  **WARNING:** When installing the Edge Gateway, the responsible party or integrator shall use the 12-57 V DC or Power over Ethernet (PoE) power source already present as part of the client's installation.
-  **WARNING:** When installing the Edge Gateway, use a cable appropriate for the load currents: 3-core cable rated 5 A at 90°C (194 °F) minimum, which conform to either IEC 60227 or IEC 60245. The system accepts cables from 0.8 mm to 2 mm. The maximum operating temperature of the Edge Gateway is 70°C (158°F). Do not exceed this maximum temperature while operating the Edge Gateway inside an enclosure. Internal heating of the Edge Gateway electronics, other electronics, and the lack of ventilation inside an enclosure can cause the operating temperature of the Edge Gateway to be greater than the outside ambient temperature. Continuous operation of the Edge Gateway at temperatures greater than 70°C (158°F) may result in an increased failure rate and a reduction of the product life. Ensure that the maximum operating temperature of the Edge Gateway when placed inside an enclosure is 70°C (158°F) or less.
-  **WARNING:** The symbol  indicates hot surface or adjacent hot surface that can obtain temperature during normal use that can cause a burn. Allow equipment to cool off or use protective gloves when handling to reduce risk of a burn.
-  **WARNING:** Always ensure that the available power source matches the required input power of the Edge Gateway. Check the input power markings next to power connector(s) before making connections. The 12-57 V DC or PoE power source must be compliant with local Electrical Codes and Regulations.
-  **WARNING:** To ensure the protection provided by Edge Gateway is not impaired, do not use or install the system in any manner other than what is specified in this manual.
-  **WARNING:** If a battery is included as part of the system or network, the battery must be installed within an appropriate enclosure in accordance with local fire and electrical codes and laws.
-  **WARNING:** The system is for installation in a suitable industrial enclosure (provides electrical, mechanical, and fire hazard protection).
-  **WARNING:** The core module only can be wall-mounted (without the need for an additional enclosure).

## Professional installation instructions

### Installation personnel

This product is designed for specific applications and needs to be installed by qualified personnel with RF and regulatory-related knowledge. The general user shall not attempt to install or change the setting.

#### Installation location

The product shall be installed at a location where the radiating antenna is kept 20 cm from nearby persons in its normal operation condition in order to meet regulatory RF exposure requirements.

#### External antenna

Use only approved antenna(s). Non-approved antenna(s) may produce spurious or excessive RF transmitting power which may lead to a violation of FCC/IC limits.

#### Installation procedure

Refer to user' s manual for installation instructions.



**WARNING:** Carefully select the installation position and make sure that the final output power does not exceed the limits described in the product' s documentation. The violation of these rules could lead to serious federal penalties.

## Instructions d'installation professionnelles

#### Le personnel d'installation

Ce produit est conçu pour des applications spécifiques et doit être installé par un personnel qualifié avec RF et connaissances connexes réglementaire. L'utilisateur ne doit pas tenter générale d'installer ou de modifier le réglage.

#### Lieu d'installation

Le produit doit être installé à un endroit où l'antenne de rayonnement est maintenue à 20 cm de personnes à proximité dans son état de fonctionnement normal, afin de répondre aux exigences réglementaires d'exposition aux radiofréquences.

#### Antenne externe

Utilisez uniquement l'antenne(s) qui ont été approuvés par le demandeur. Antenne (s) peuvent produire de l'énergie RF parasite indésirable ou excessive transmission qui peut conduire à une violation des normes de la FCC / IC est interdite et non-approuvé.

#### Procédure d'installation

**ATTENTION:** S'il vous plaît choisir avec soin la position d'installation et assurez-vous que la puissance de sortie final ne dépasse pas les limites fixées dans les règles pertinentes. La violation de ces règles pourrait conduire à des sanctions fédérales graves.

## Federal Communication Commission interference statement

This device complies with Part 15 of the FCC Rules. Operation is subject to the following two conditions: (1) This device may not cause harmful interference, and (2) this device must accept any interference received, including interference that may cause undesired operation.

This equipment has been tested and found to comply with the limits for a Class A digital device, pursuant to Part 15 of the FCC Rules. These limits are designed to provide reasonable protection against harmful interference in a residential installation. This equipment generates, uses, and can radiate radio frequency energy and, if not installed and used in accordance with the instructions, may cause harmful interference to radio communications. However, there is no guarantee that interference will not occur in a particular installation. If this equipment does cause harmful interference to radio or television reception, which can be determined by turning the equipment off and on, the user is encouraged to try to correct the interference by one of the following measures:

- Reorient or relocate the receiving antenna.
- Increase the separation between the equipment and receiver.
- Connect the equipment into an outlet on a circuit different from that to which the receiver is connected.
- Consult the dealer or an experienced radio/TV technician for help.




FCC caution:

- Any changes or modifications not expressly approved by the party responsible for compliance could void the user's authority to operate this equipment.
- This transmitter must not be co-located or operating in conjunction with any other antenna or transmitter.

Radiation exposure statement:

This equipment complies with FCC radiation exposure limits for an uncontrolled environment. This equipment should be installed and operated with a minimum distance of 20 cm between the active transceiver and your body.

 NOTE: The country code selection is for a non-US model only and is not available to all US model. Per FCC regulation, all WiFi products marketed in the US must be fixed to US operation channels only.

## Industry Canada statement

This device complies with Industry Canada license-exempt RSS standard(s). Operation is subject to the following two conditions:

1. this device may not cause interference, and
2. this device must accept any interference, including interference that may cause undesired operation of the device.

Le présent appareil est conforme aux CNR d'Industrie Canada applicables aux appareils radio exempts de licence.

L'exploitation est autorisée aux deux conditions suivantes:

1. l'appareil ne doit pas produire de brouillage, et
2. l'utilisateur de l'appareil doit accepter tout brouillage radioélectrique subi, même si le brouillage est susceptible d'en compromettre le fonctionnement.

This Class B digital apparatus complies with Canadian ICES-003.

Cet appareil numérique de la classe A est conforme à la norme NMB-003 du Canada.

This device complies with RSS-310 of Industry Canada. Operation is subject to the condition that this device does not cause harmful interference.

Cet appareil est conforme à la norme RSS-310 d'Industrie Canada. L'opération est soumise à la condition que cet appareil ne provoque aucune interférence nuisible.

This device and its antenna(s) must not be co-located or operating in conjunction with any other antenna or transmitter, except tested built-in radios.

Cet appareil et son antenne ne doivent pas être situés ou fonctionner en conjonction avec une autre antenne ou un autre émetteur, exception faites des radios intégrées qui ont été testées.

The Country Code Selection feature is disabled for products marketed in the US/Canada.

La fonction de sélection de l'indicatif du pays est désactivée pour les produits commercialisés aux États-Unis et au Canada.


Radiation Exposure Statement: This equipment complies with IC radiation exposure limits set forth for an uncontrolled environment. This equipment should be installed and operated with minimum distance of 20 cm between the active transceiver and your body.

Déclaration d'exposition aux radiations: Cet équipement est conforme aux limites d'exposition aux rayonnements IC établies pour un environnement non contrôlé. Cet équipement doit être installé et utilisé avec un minimum de 20 cm de distance entre la source de rayonnement et votre corps.

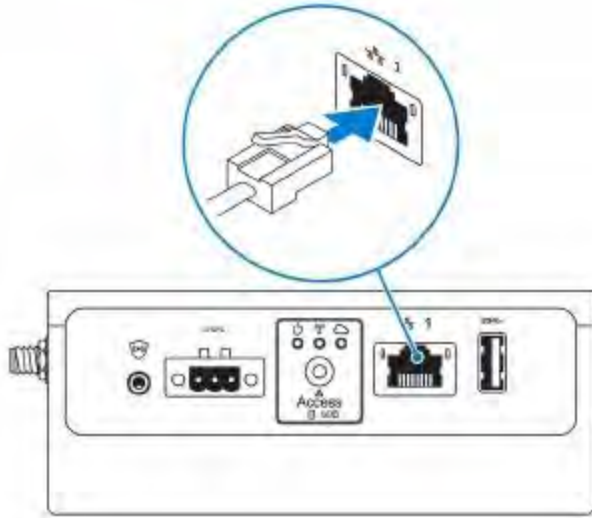
## Setting up your Edge Gateway

1. Install the Edge Gateway using one of the following mounting options:

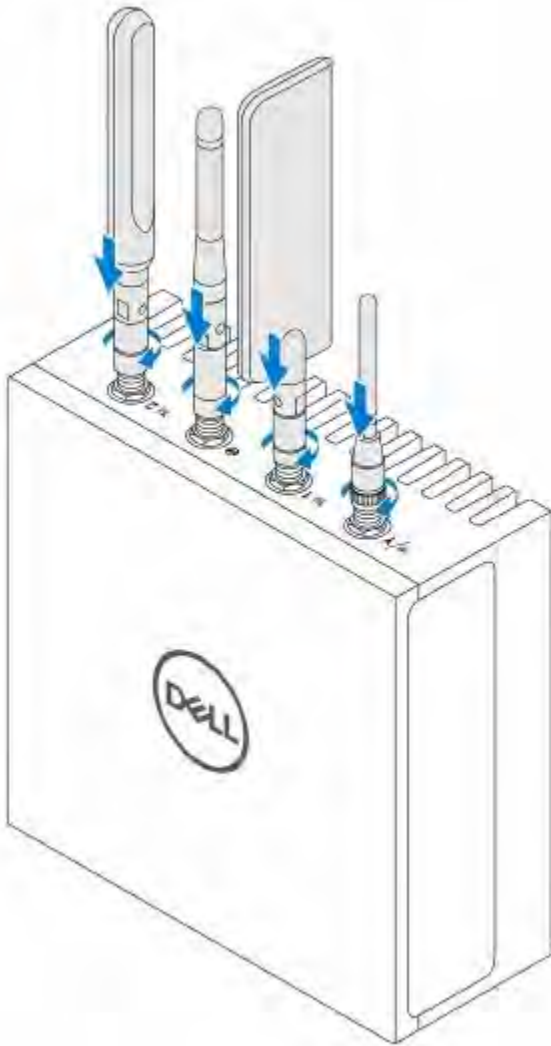
- [Standard mount](#)
- [DIN rail mount](#)
- [Quick mount](#)
- [Perpendicular mount](#)
- [Cable control bar](#)
- [VESA mount](#)

 NOTE: Edge Gateway mounting options are sold separately.









2. Connect an Ethernet cable (optional).





3. Install the antenna(s) depending on the configuration ordered.



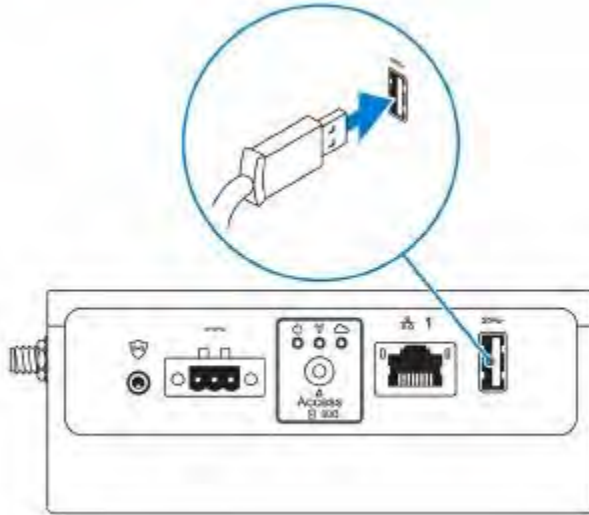
The antenna(s) supported in the Edge Gateway vary depending on the configuration ordered.  
 Table 7. Antennas supported in Edge Gateway 3000 Series

Antennas supported				
Signals				
3000	Yes	Not applicable	Yes	Not applicable
3001	Yes	Yes	Yes	Not applicable
3002	Yes	Yes	Yes	Yes
3003	Yes	Yes	Yes	Not applicable

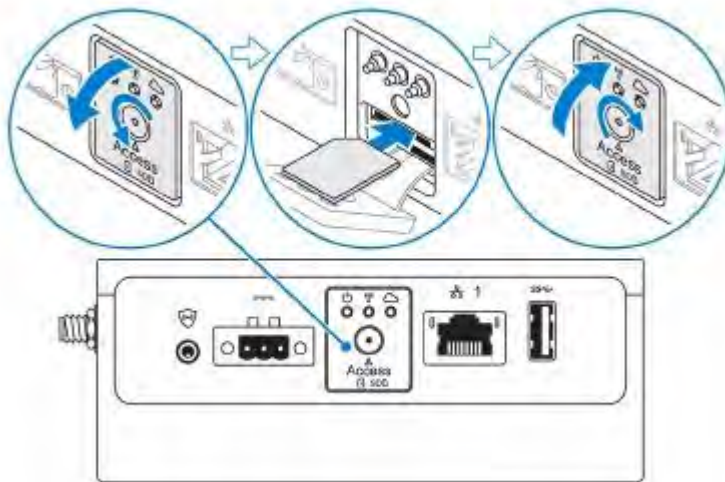
 NOTE: Some of the antenna ports may be capped, depending on the configuration ordered.

 NOTE: Mobile broadband antenna port two is for LTE only. It does not support 3G.

4. Connect a USB cable to connect a display, keyboard, and mouse.

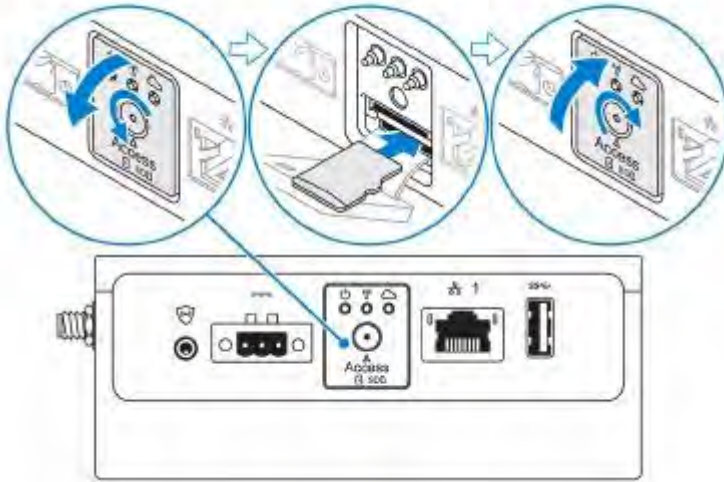


5. Connect all cables to the appropriate I/O ports on the Edge Gateway.
6. Open the micro-SIM/micro-SD card access door.
7. Insert a micro-SIM card into the top micro-SIM card slot and [activate your mobile broadband](#).

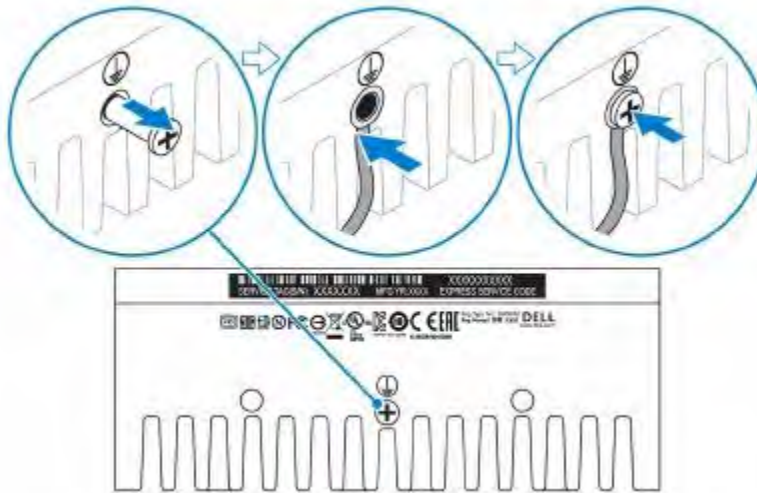


8. Insert a micro-SD card into the bottom micro-SD card slot.

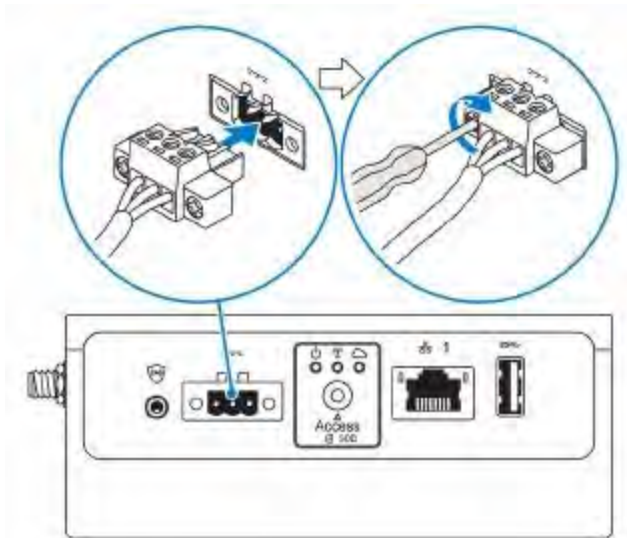




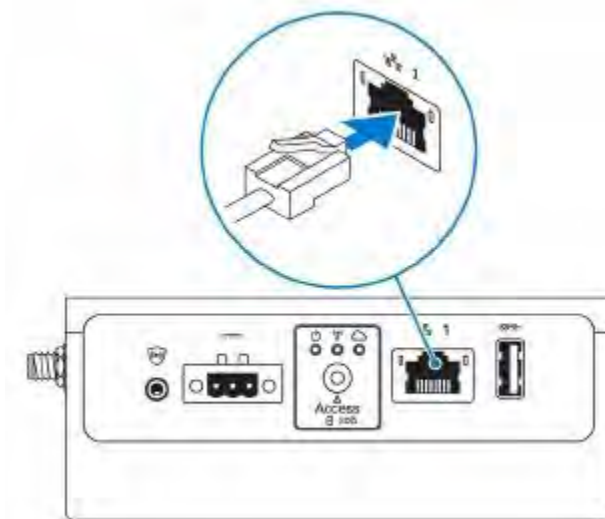
9. Replace the screw and close the access door.
10. Connect a ground cable to the Edge Gateway.



11. Connect the Edge Gateway to one of the following power source.
  - DC-IN




· PoE



12. When setting up the Edge Gateway for the first time, complete the operating system setup. For more information, see [Setting up your operating system](#).

 NOTE: The Edge Gateway is shipped with Windows 10 Enterprise 2016 or Snappy Ubuntu Core Series 16 operating system.

 NOTE: On Windows 10 OS, select “Do this later” when prompted to enter the product key.

 NOTE: The default user name and password for Snappy Ubuntu Core Series 16 is ubuntu.

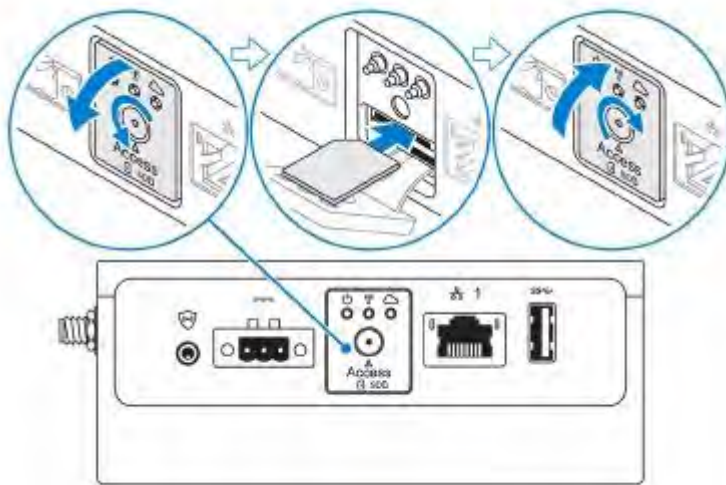
13. Configure devices using the RS232/RS422/RS485 ports.

 NOTE: After the Edge Gateway setup is complete, reinstall the dust covers on any unused ports.

## Activating your mobile broadband

1. Remove the screw to open the micro-SIM card access door.
2. Insert a micro-SIM card into the top micro-SIM card slot.





3. Replace the screw and close the micro-SIM card access door.
4. Turn on your Edge Gateway.
5. Connect to a mobile network.


Windows operating system

If the Edge Gateway is shipped with LTE Verizon (DW5815) WWAN or LTE AT&T (DW5815) card:

- a. Select the network icon from the taskbar and then click Cellular.
- b. Select your Mobile Broadband Carrier → Advanced Options.
- c. Make a note of the International Mobile Equipment Identity (IMEI) and the Integrated Circuit Card Identifier (ICCID).
- d. Enter your APN number and other necessary credentials that your WWAN provider requires.

Ubuntu operating system

- a. Open the Terminal window.
- b. Go to super user mode by entering: `$sudo su -`
- c. Configure the Mobile Broadband connection profile:
 


```
#nmcli con add type gsm ifname ttyACM3 con-name <connection name> apn
<apn> user <user name> password <password>
```
- d. Connect to the mobile network: `#nmcli con up connection name`  
 NOTE: To view the IMEI and ICCID number use the `mmcli -m 0 --command=+CIMI` command.

To disconnect from the mobile network: `#nmcli con downconnection name`.

If the Edge Gateway is shipped with LTE AT&T (DW5815) WWAN card:

- a. Open the Terminal window.
- b. In the terminal type `minicom -D /dev/ttyACM0` to open the Minicom terminal.  
 The Minicom terminal opens with the following text:
 

```
Welcome to minicom 2.7
OPTIONS: I18n
Compiled on Dec 17 2015, 16:20:45.
Port /dev/ttyACM0, 21:33:05
Press CTRL-A Z for help on special keys
```
- c. Type the `AT+cgdcont` command with PDP Context Identifier, "Packet Data Protocol type", and "Access Point Name" parameters and press Enter.  
 Example: `at+cgdcont=3,"IPV4V6","broadband"`.

 NOTE: If the command runs successfully, the message `OK` appears.

- d. Configure the Network Control Mode with the `at#ncm` command.

Example: `at#ncm=1,3`.

- e. Activate the Packet Data Protocol with the `at+cgact` command.

Example: `at+cgact=1,3`.

- f. To view the PDP Context Read Dynamic Parameters, that is, `bearer_id`, `apn`, `ip_addr`, `subnet_mask`, `gw_addr`, `DNS_prim_addr`, `DNS_sec_addr`, `P-CSCF_prim_addr`, and `P-CSCF_sec_addr` parameters, run the `at+cgcontrdp` command.

Example: `at+cgcontrdp=3`

```
+CGCONTRDP:
```

```
,7,"broadband.mnc480.mcc311.gprs","100.106.47.7.255.0.0.0","100.16.47.8","198.224.157.135","0.0.0.0","0.0.0.0","0.0.00"
```

- g. Exit the Minicom module.

- h. In the Linux terminal configure the connection with the following commands

```
root@WR-IntelligentDevice:~# ifconfig wwan0 ip_addr netmask subnet_mask up
root@WR-IntelligentDevice:~# route add default gw gw_addr wwan0
root@WR-IntelligentDevice:~# echo nameserver DNS_prim_addr >>/etc/resolv.conf
```

Example:

```
root@WR-IntelligentDevice:~# ifconfig wwan0 100.106.47.7 netmask 255.0.0.0 up
root@WR-IntelligentDevice:~# route add default gw 100.106.47.8 wwan0
root@WR-IntelligentDevice:~# echo nameserver 198.224.157.135 >>/etc/resolv.conf
```

- i. Log in to the Minicom module using the `minicom -D /dev/ttyACM0` command.

- j. Connect to the mobile network using the `at+cgdata` command.

Example: `at+cgdata="M-RAW_IP",3`

To disconnect from the mobile network

- a. Open the Minicom terminal.


- b. Enter the `at+cgdata="M-RAW_IP",3` command.

- c. Close the Minicom terminal.

- d. Enter the `root@WR-IntelligentDevice:~# ifconfig wwan0 down` command.

## Mounting your Edge Gateway

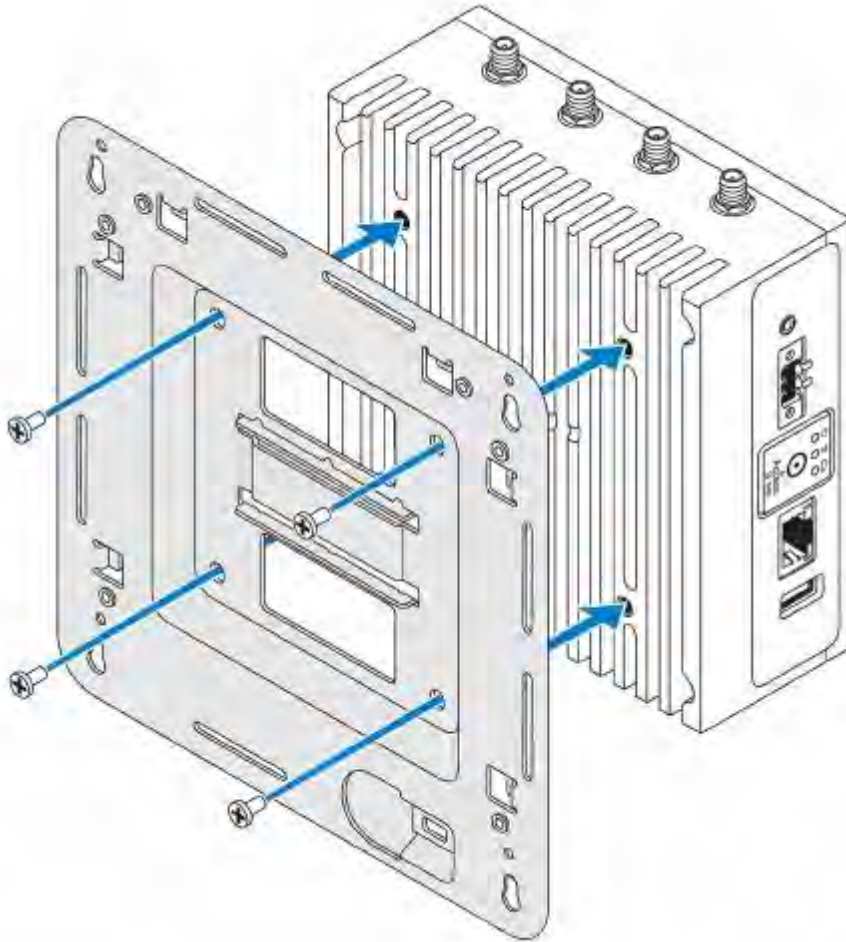
### Mounting the Edge Gateway using the standard-mount bracket

 NOTE: The mounting brackets are shipped with only those screws that are required for securing the mounting brackets to the Edge Gateway.

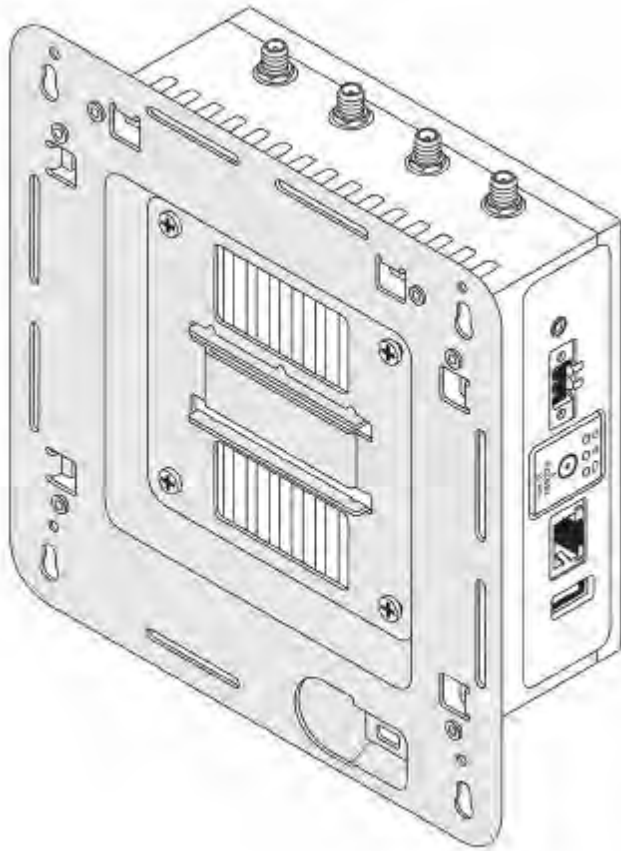
1. Secure the standard-mount bracket to the back of the Edge Gateway by using the four M4x4.5 screws.

 NOTE: Torque the screws at 8+/-0.5 kilograms-centimeter (17.64+/-1.1 pounds-inch).

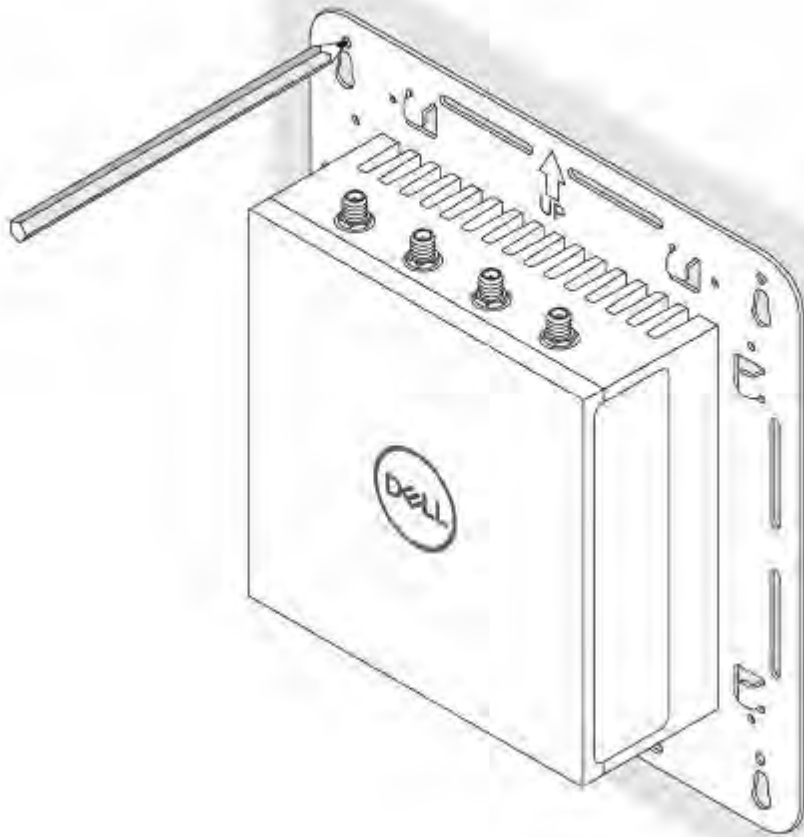




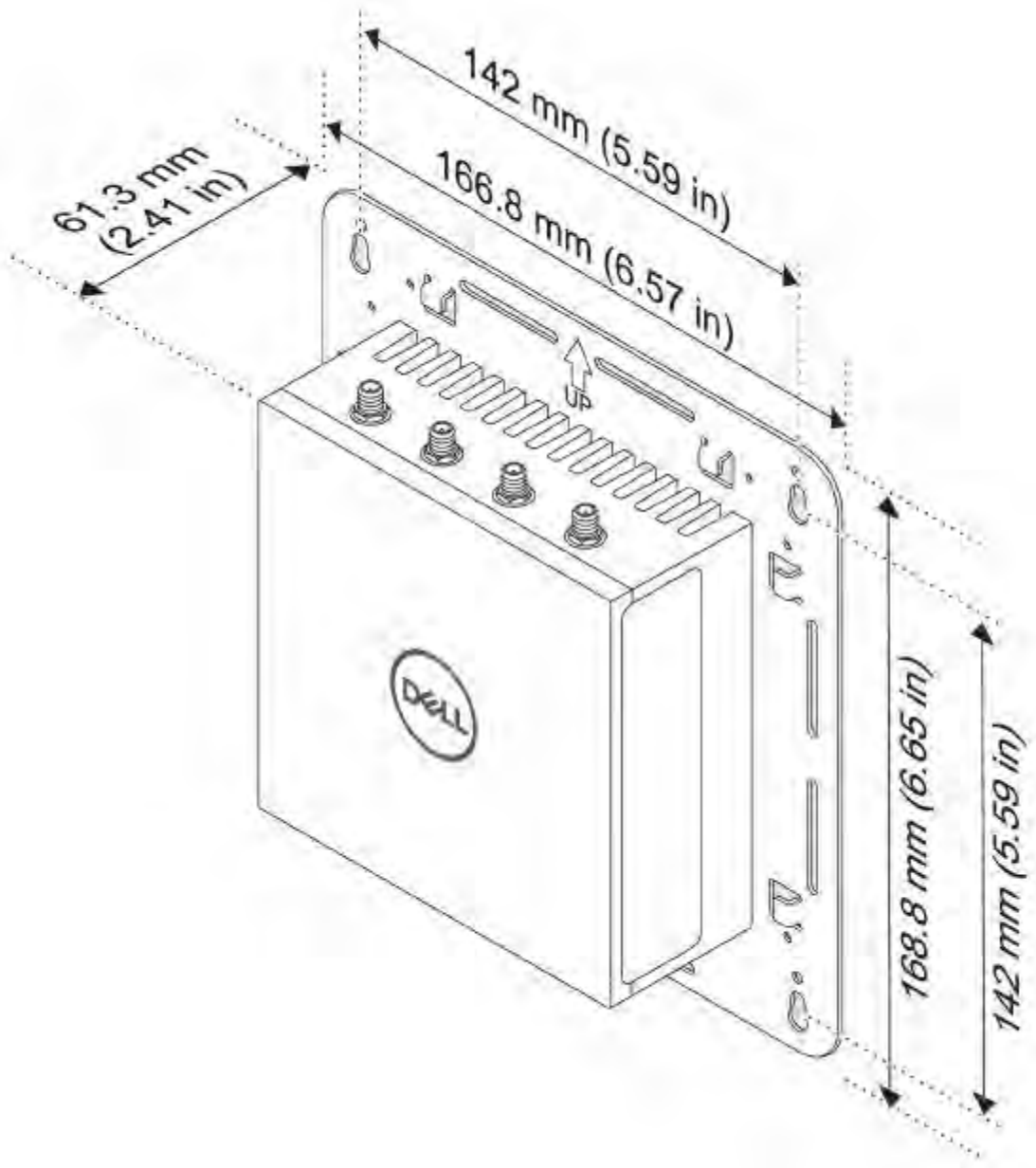
2. Place the Edge Gateway against the wall, and align the holes in the standard-mount bracket with the holes on the wall. Screw holes on the bracket have a diameter of 3 mm (0.12 in).



3. Place the standard-mount bracket on the wall, and, using the holes above the screw holes on the bracket, mark the location to drill the four holes.

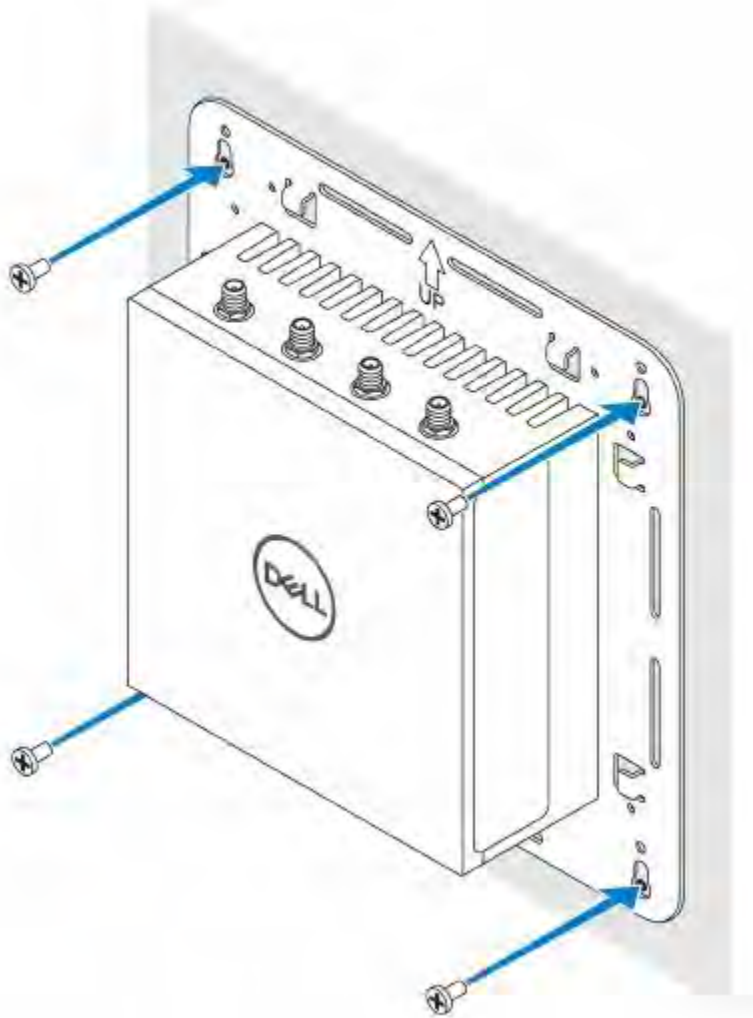


4. Drill four holes in the wall that correspond to the holes in the standard-mount bracket.

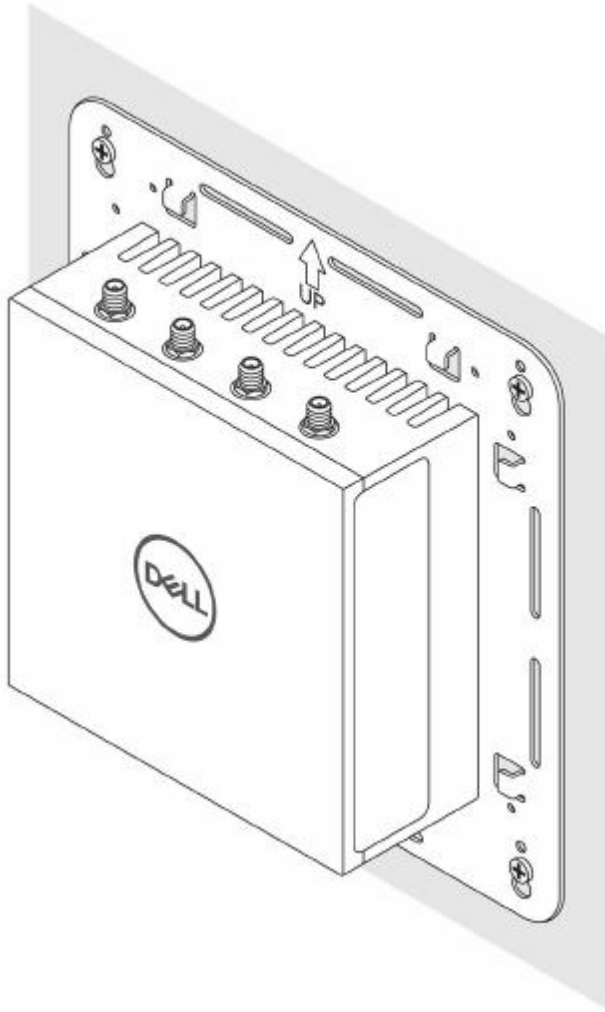


5. Insert and tighten four screws (not supplied) to secure the Edge Gateway to the wall. It is recommended to use M4x9 screws.






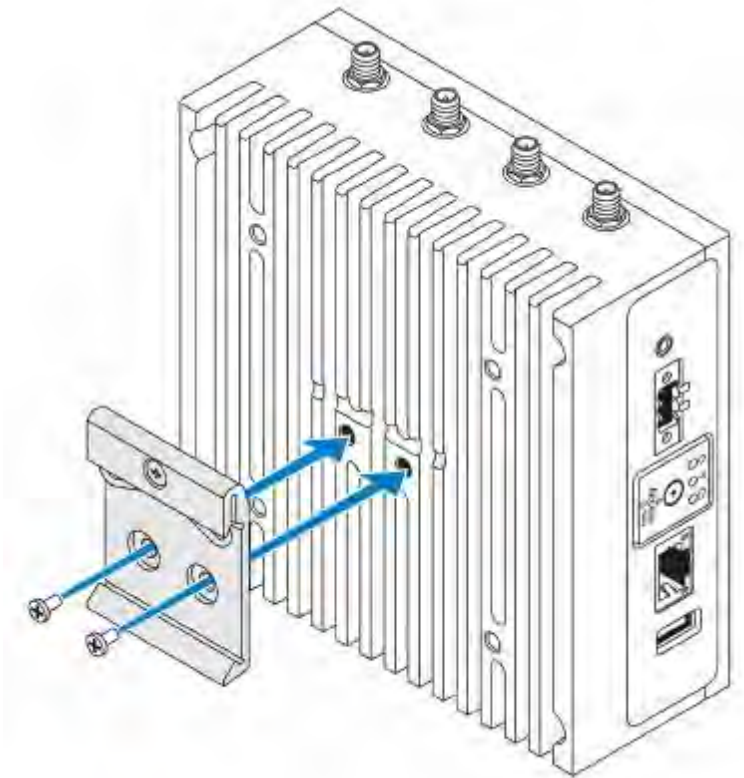
6. Secure the Edge Gateway to the wall.




## Mounting the Edge Gateway on a DIN rail using the DIN-rail bracket

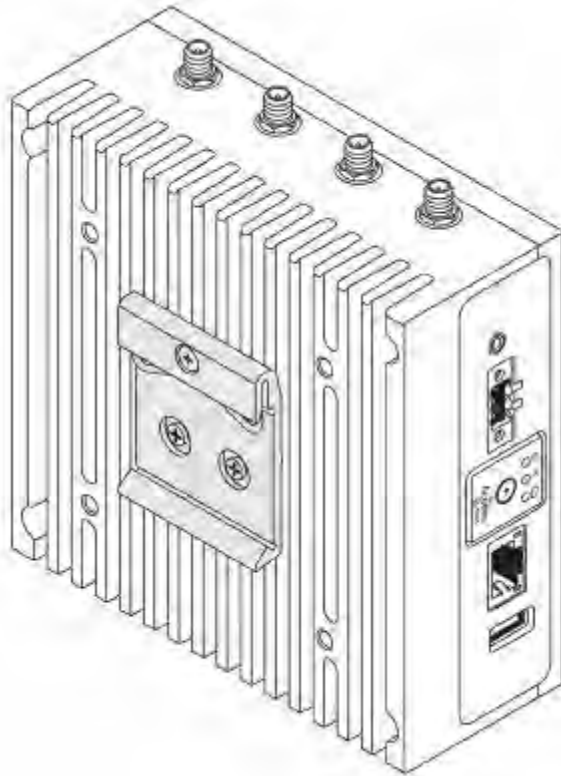
 NOTE: The DIN-rail bracket includes the screws that are required for securing the bracket to the Edge Gateway.

1. Align the screw holes on the DIN-rail bracket with the screw holes at back of the Edge Gateway.
2. Place the two M4x7 screws on the DIN-rail bracket and secure it to the Edge Gateway.

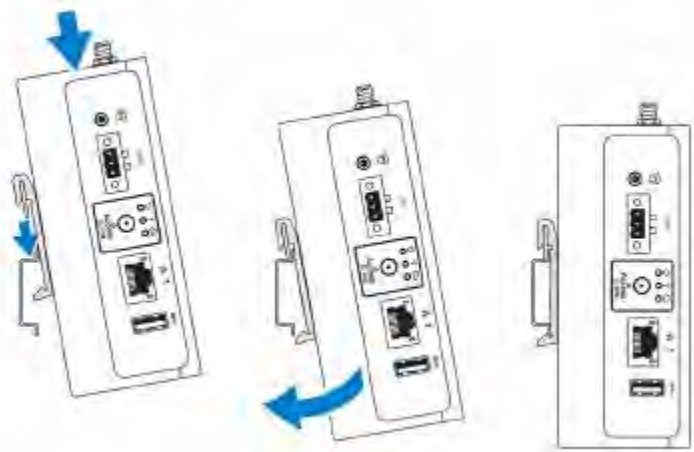


3. Secure the DIN-rail mounting bracket to the Edge Gateway by using the two M4x7 screws provided.

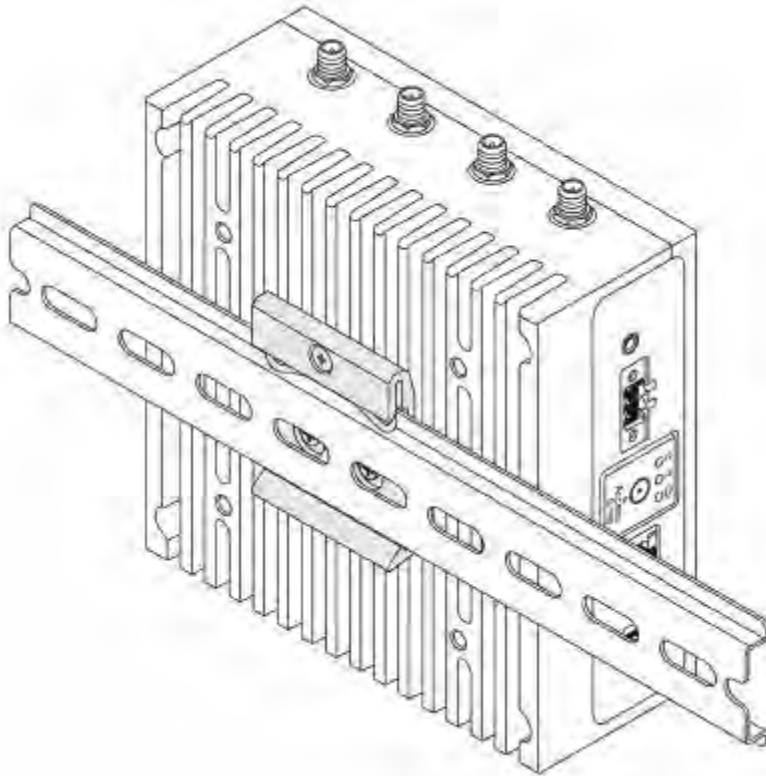
 NOTE: Torque the screws at 8+/-0.5 kilograms-centimeter (17.64+/-1.1 pounds-inch) on the DIN-rail mounting bracket.



4. Place the Edge Gateway on the DIN rail at an angle, and then pull the Edge Gateway down to compress the springs at the top of the DIN-rail mounting bracket.




5. Push the Edge Gateway towards the DIN-rail brackets to secure the lower clip of the bracket onto the DIN rail.

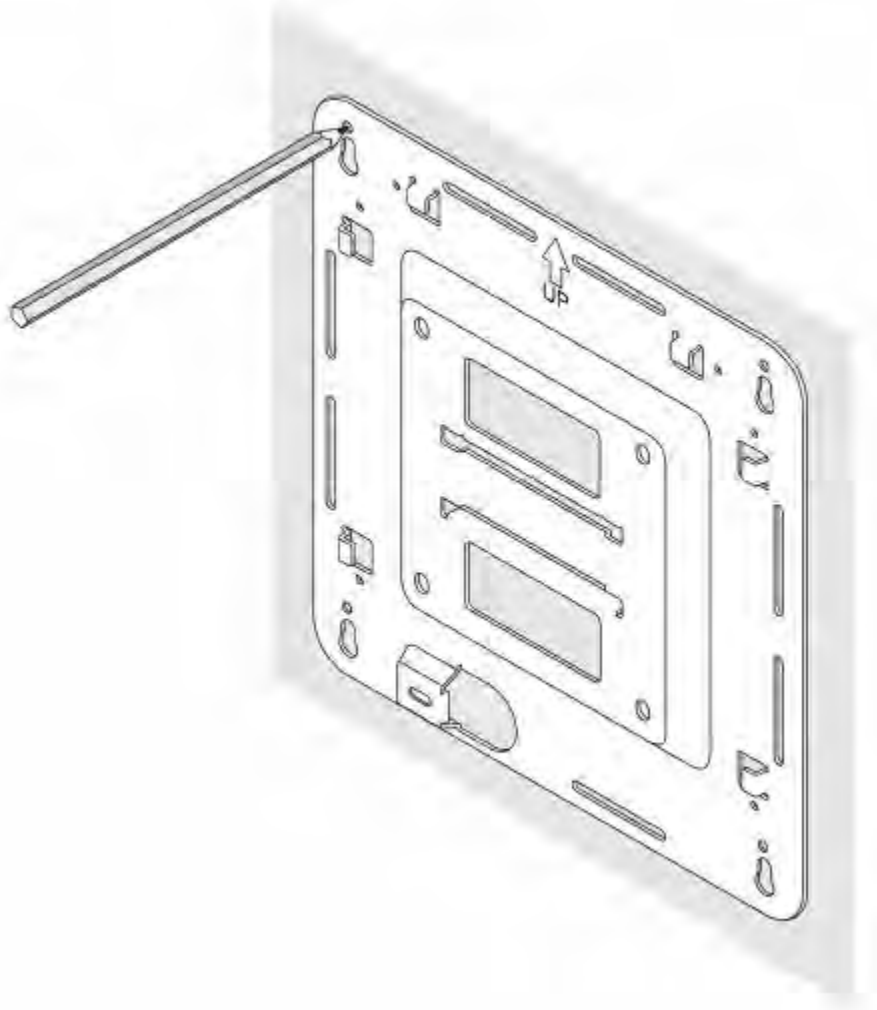


## Mounting the Edge Gateway using the quick-mount bracket

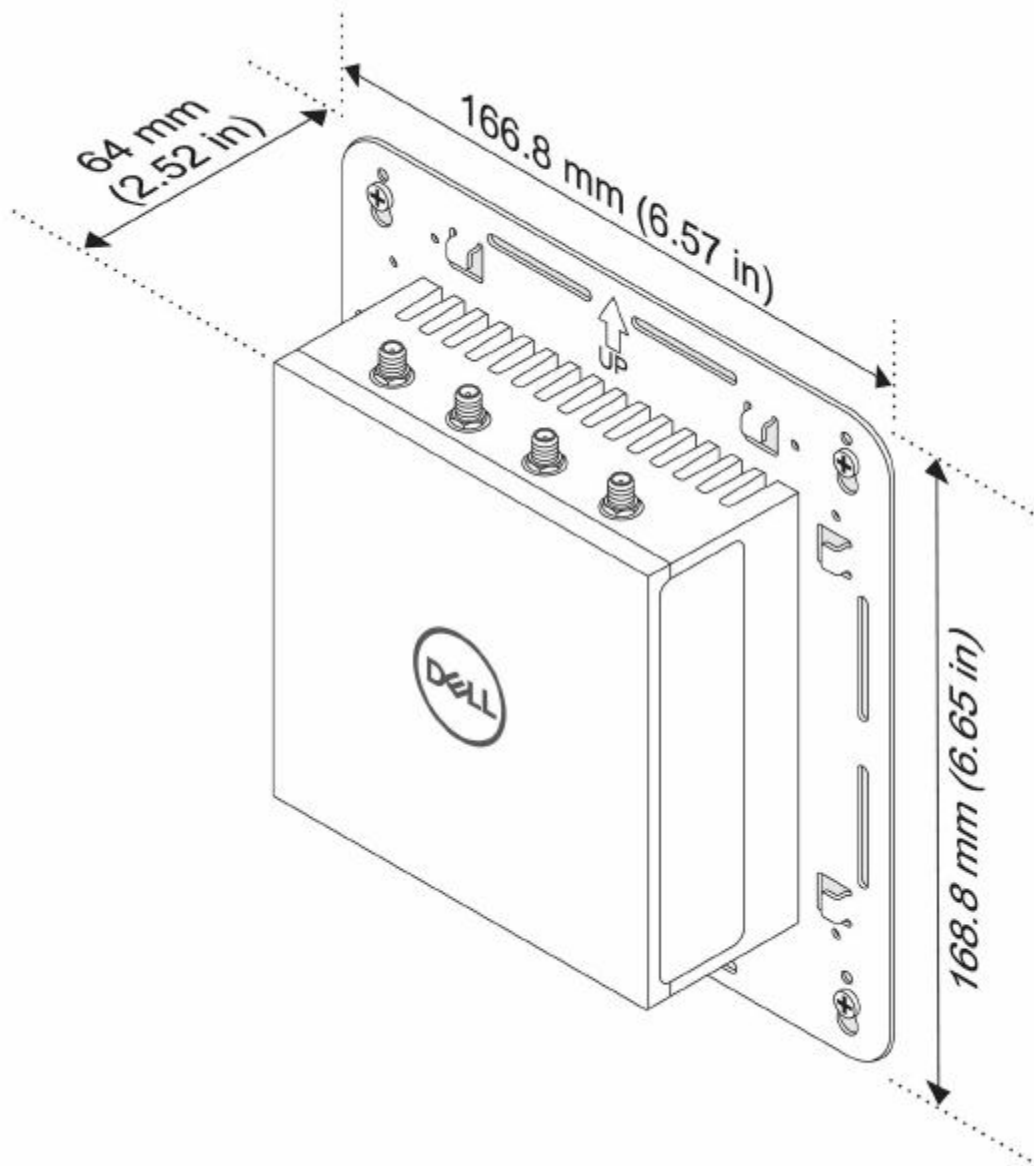
The quick-mount bracket is a combination of the standard-mount bracket and DIN-rail bracket.

 **NOTE:** The mounting brackets are shipped with only those screws that are required for securing the mounting brackets to the Edge Gateway.

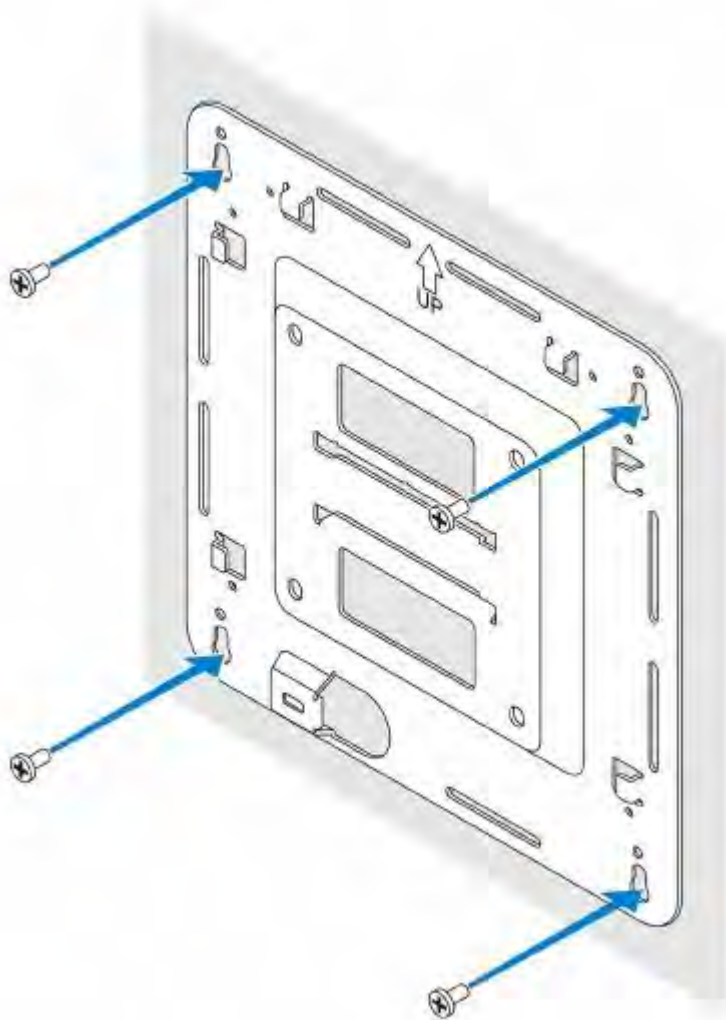
1. Place the standard-mount bracket on the wall, and, using the holes above the screw holes on the bracket, mark the location to drill the four holes.



2. Drill four holes in the wall that correspond to the holes in the standard-mount bracket. Screw holes on the bracket have a diameter of 3 mm (0.12 in).

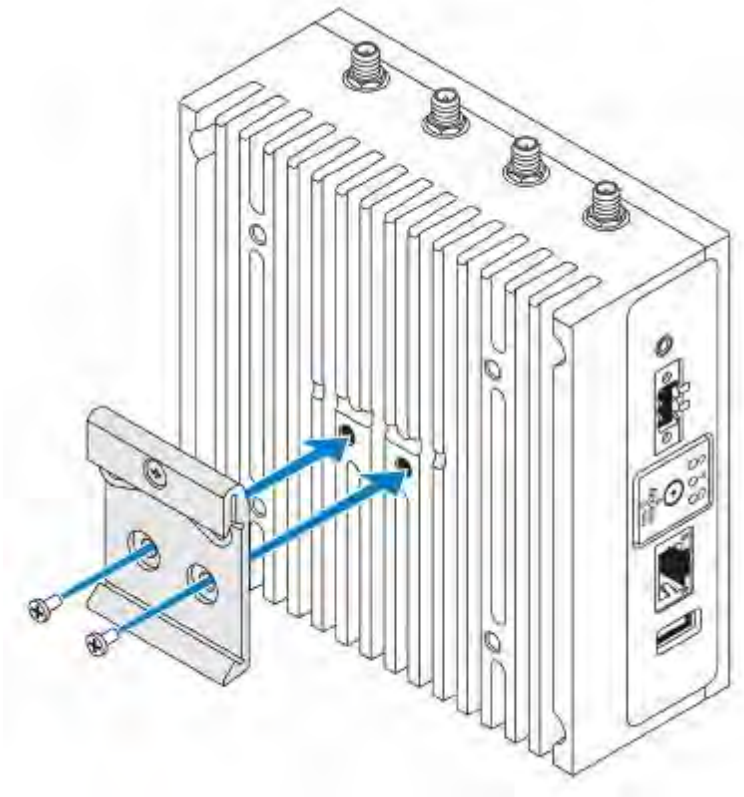


3. Secure the standard-mount bracket to the wall with four screws (not supplied). Screw holes on the bracket have a diameter of 4.5 mm (0.04 in)

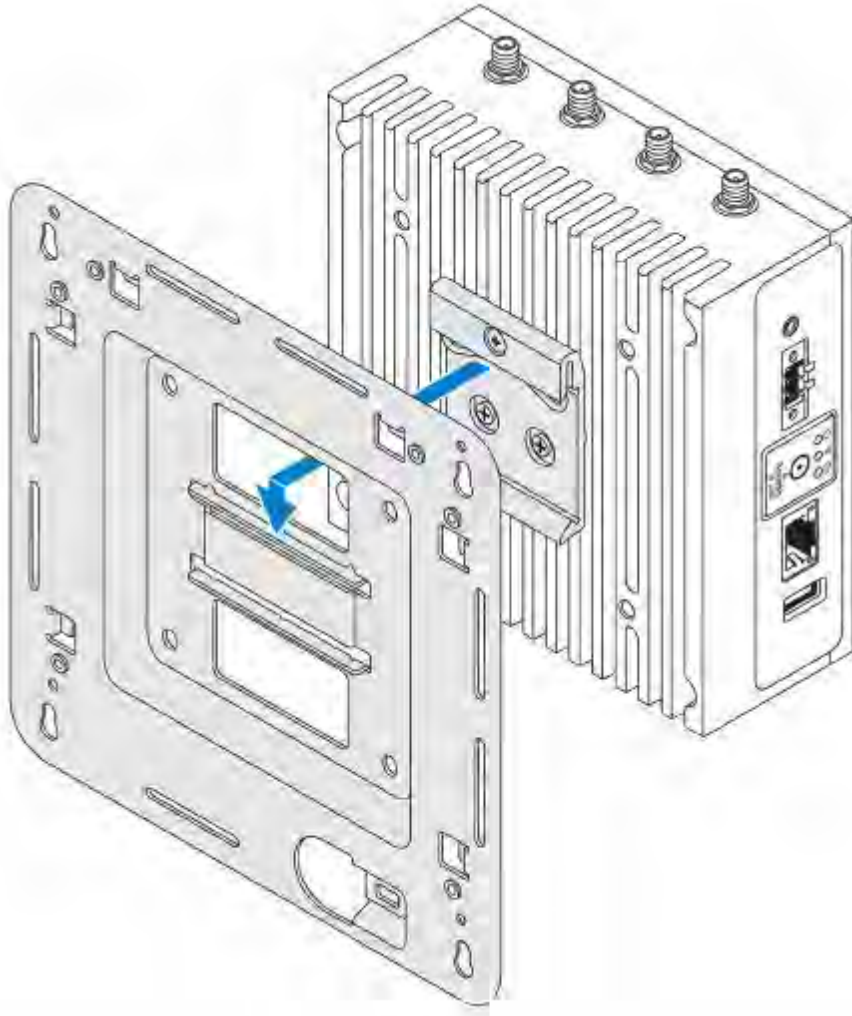


4. Align the screw holes on the DIN-rail bracket with the screw holes at the back of the Edge Gateway.
5. Place the two M4x7 screws on the DIN-rail bracket and secure it to the Edge Gateway.

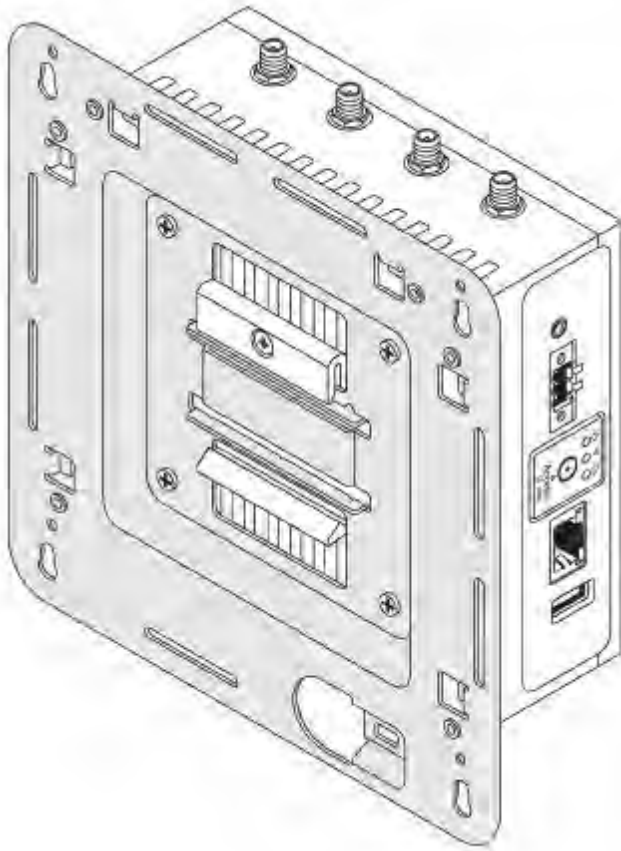




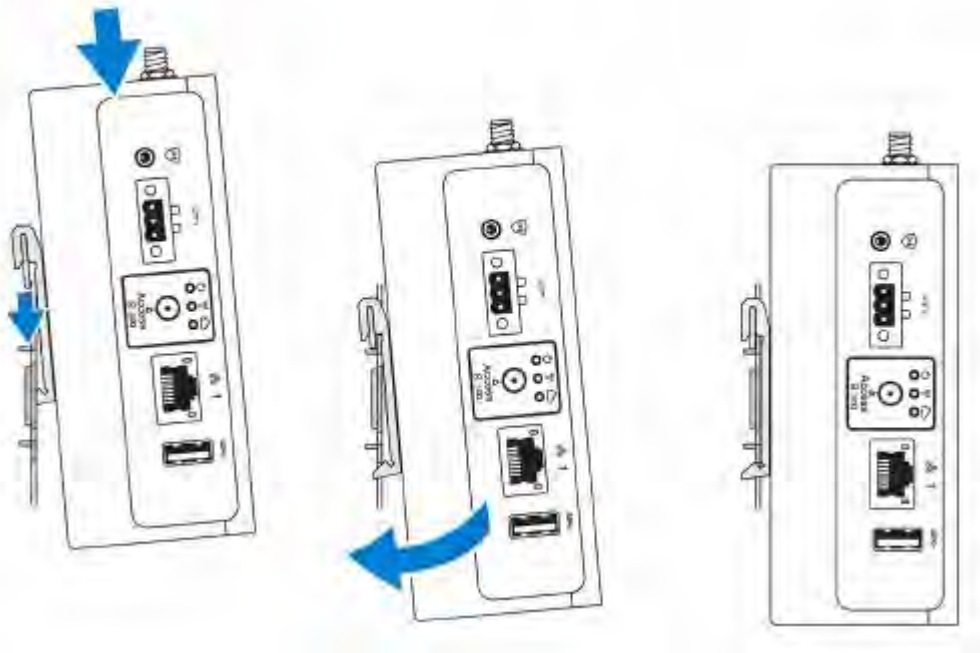
6. Mount the Edge Gateway on the standard-mount bracket and secure the Edge Gateway to the standard mount by pressing the latch.



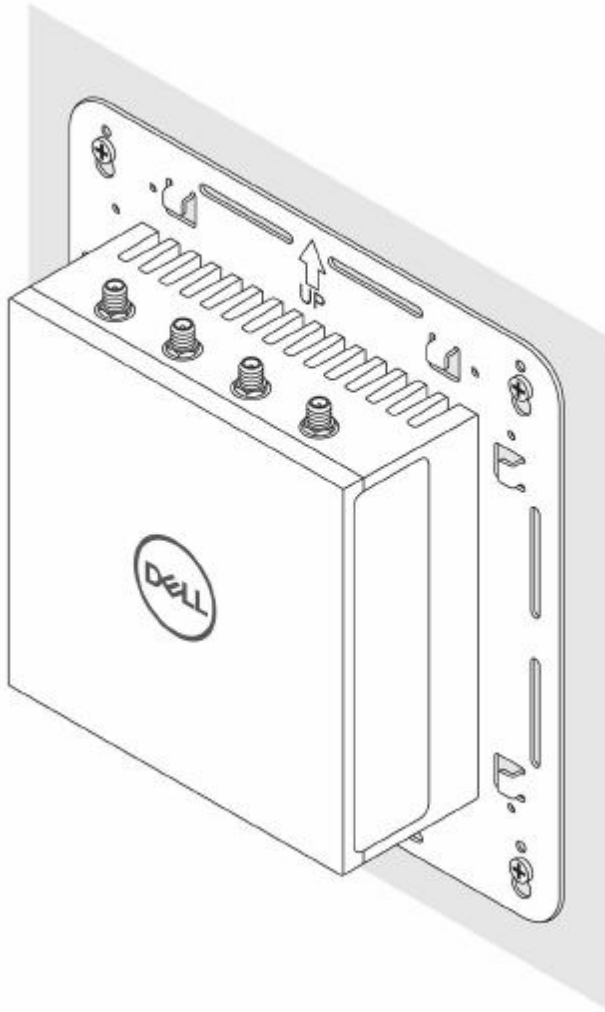
7. Place the Edge Gateway on the standard mount at an angle, and then pull the Edge Gateway down to compress the springs at the top of the DIN-rail bracket.




8. Push the Edge Gateway towards the DIN-rail brackets to secure it on the standard-mount bracket.



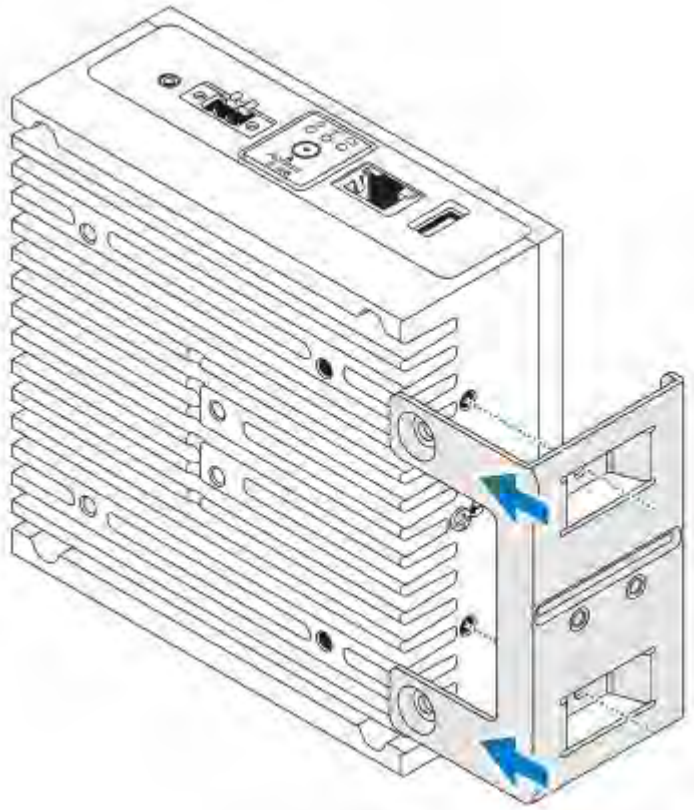
9. Secure the Edge Gateway to the standard-mount bracket.



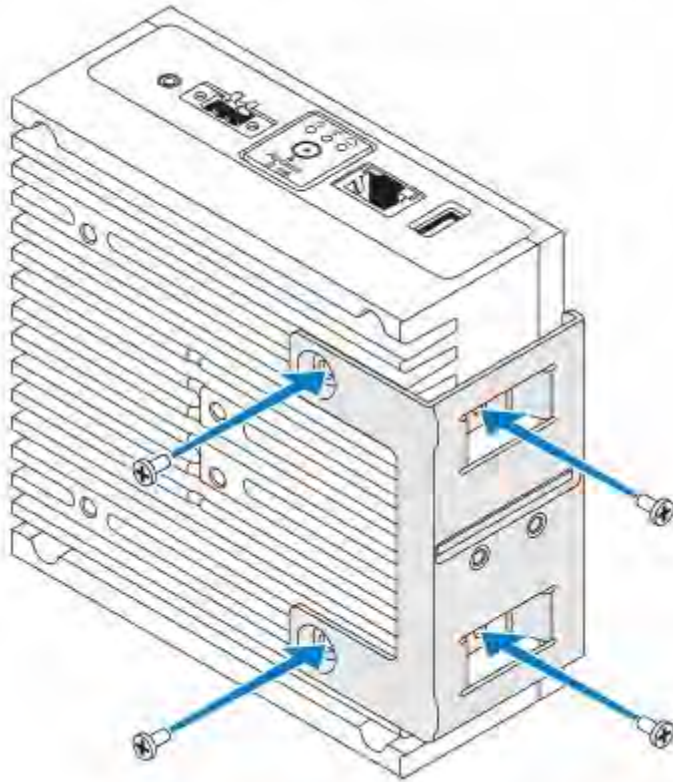
## Mounting the Edge Gateway using the perpendicular mount

 NOTE: The perpendicular mount is designed for DIN-rail applications only.

1. Align the screw holes on the perpendicular-mount bracket with the screw holes on the Edge Gateway.

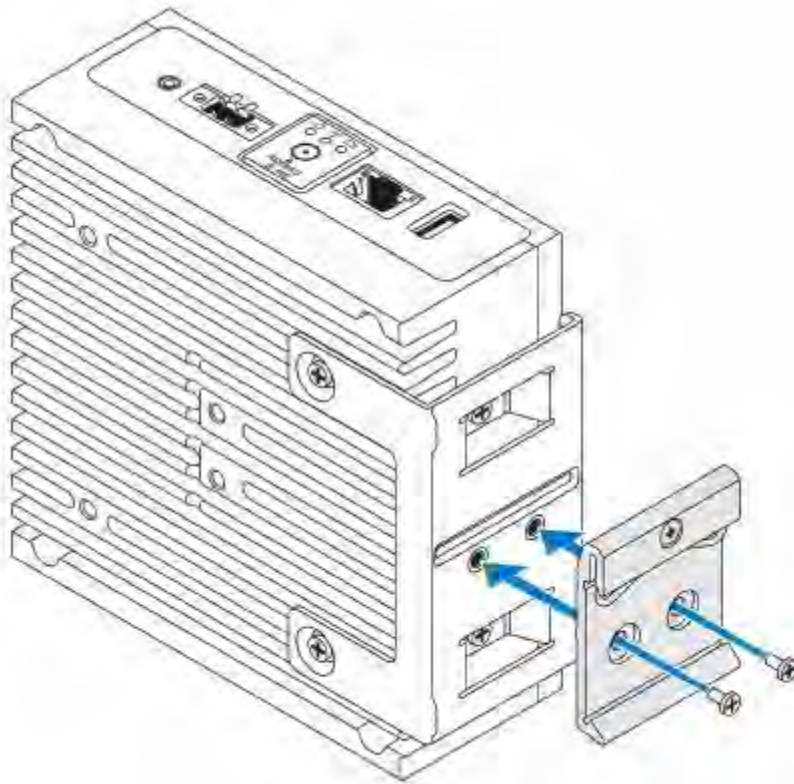


2. Tighten the four M4x7 screws to secure the Edge Gateway to the perpendicular-mount bracket.  
🔩 NOTE: Torque the screws at 8+/-0.5 kilograms-centimeter (17.64+/-1.1 pounds-inch).

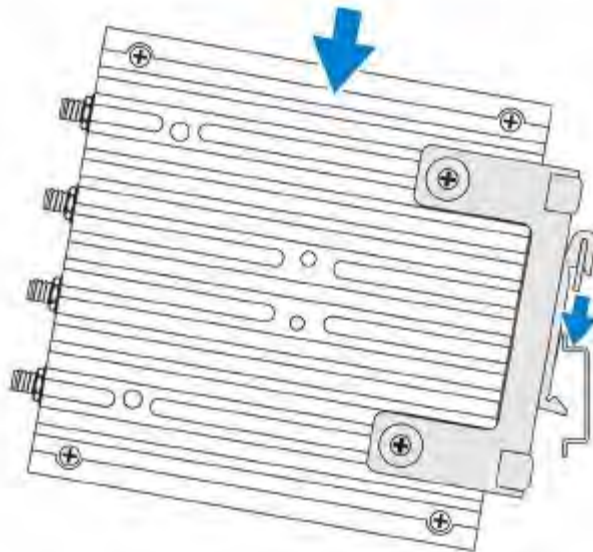


3. Align the screw holes on the DIN-rail mount bracket with the screw holes on the perpendicular-mount bracket, and tighten the two screws.

 NOTE: Torque the screws at 8+/-0.5 kilograms-centimeter (17.64+/-1.1 pounds-inch).

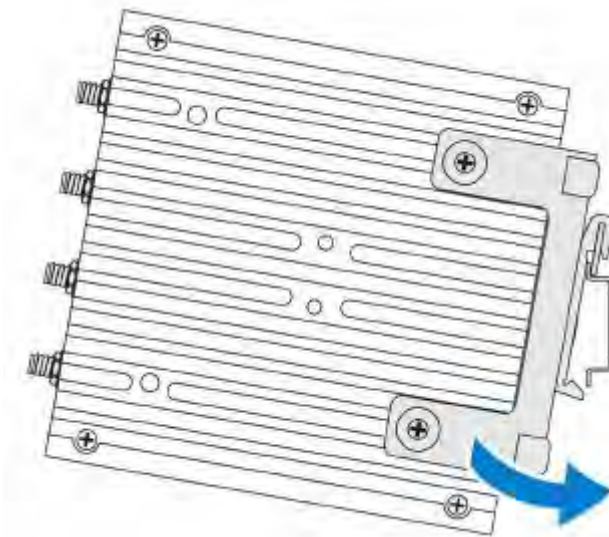


4. Place the Edge Gateway on the DIN rail at an angle.

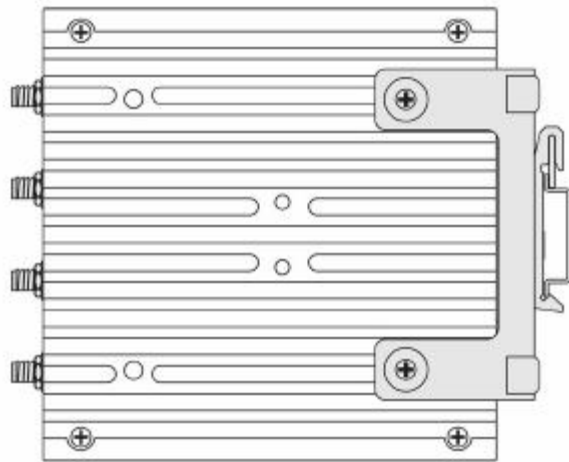


5. Pull the Edge Gateway down to compress the springs on the DIN-rail mount brackets and push the Edge Gateway towards the DIN-rail brackets to secure the bottom of the bracket to the DIN rail.



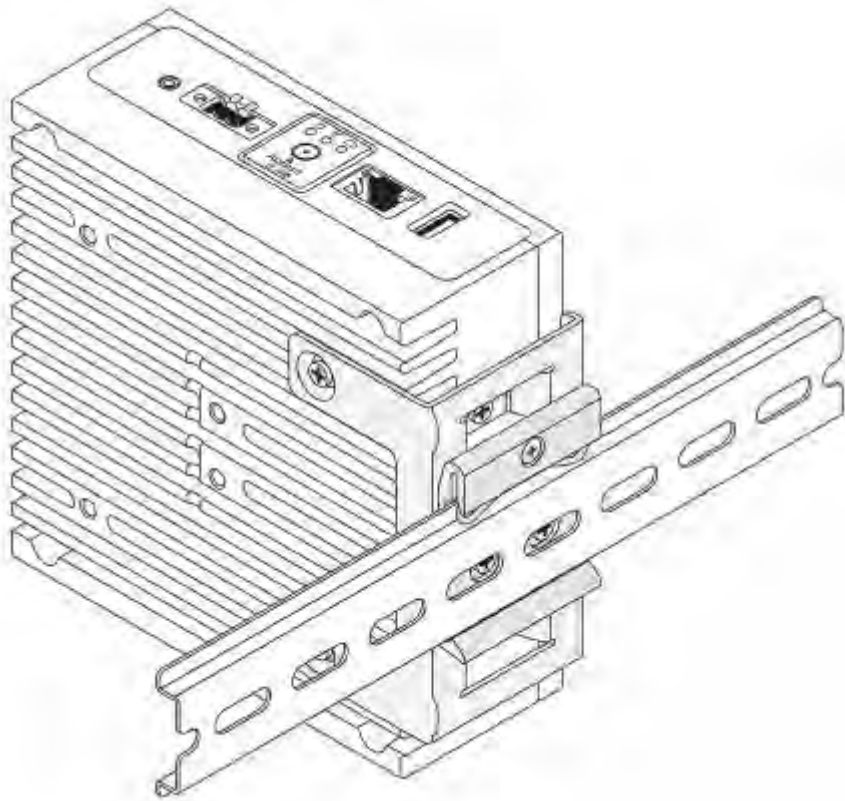


6. Push the Edge Gateway towards the DIN-rail brackets to secure the lower clip of the bracket onto the DIN rail.



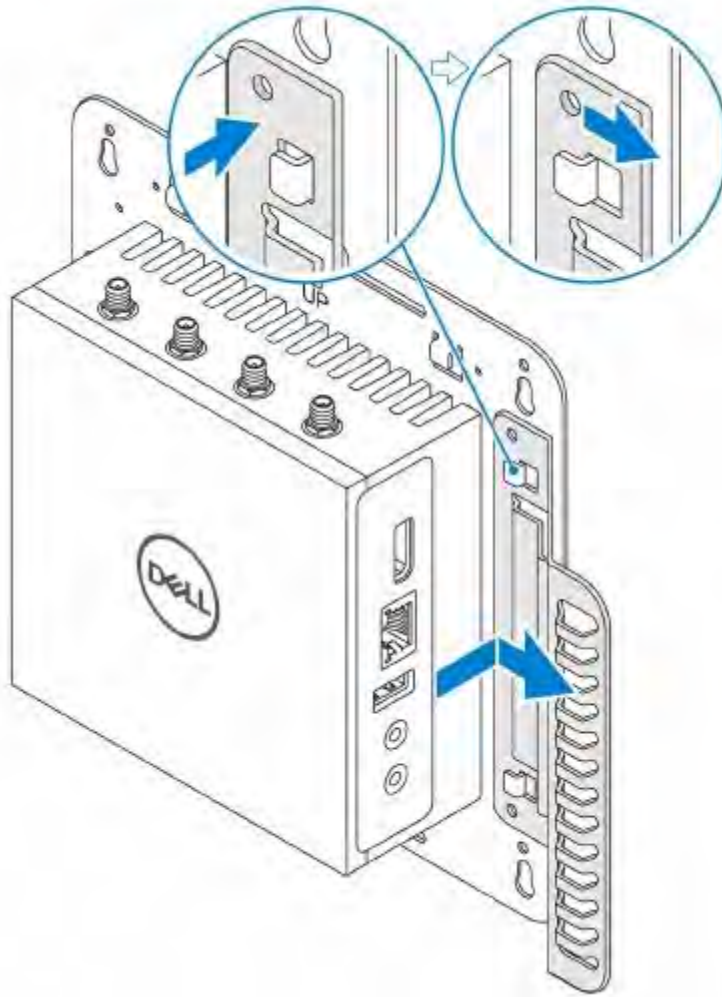
7. Secure the Edge Gateway on the DIN rail.





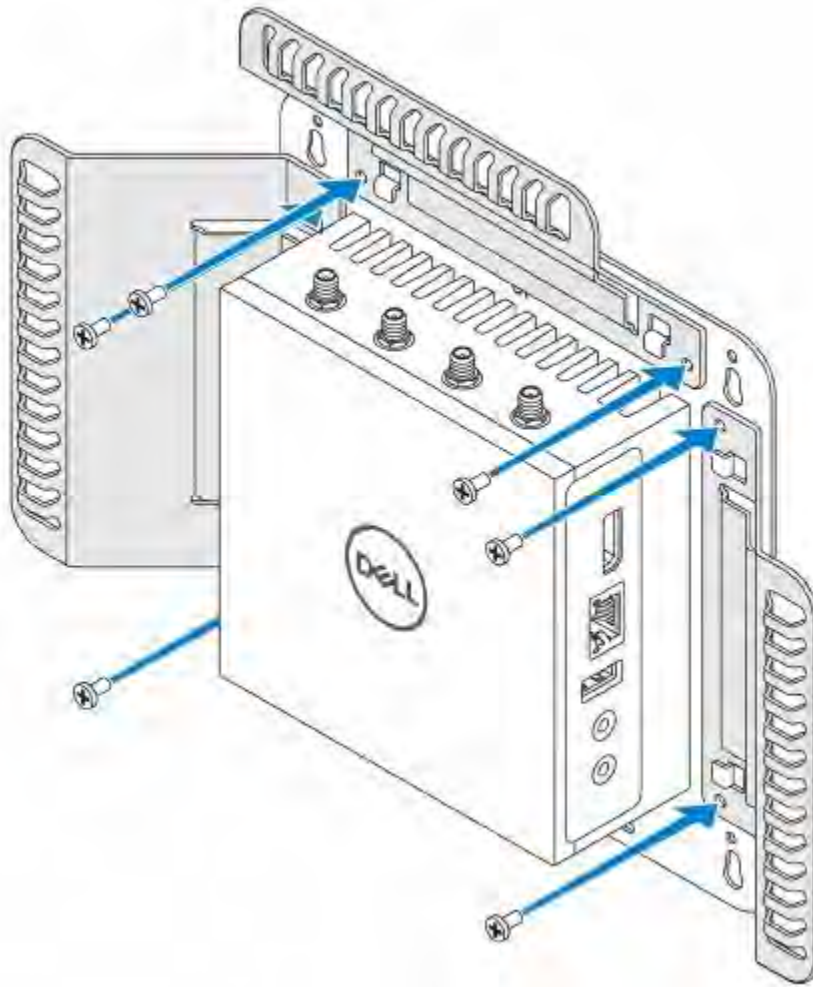
### Attaching the cable control bars to the standard-mount bracket

1. Mount the Edge Gateway on the wall using the [standard-mount bracket](#) or [quick-mount bracket](#).
2. Place the cable control bar on the mounting bracket and secure it to the notch.

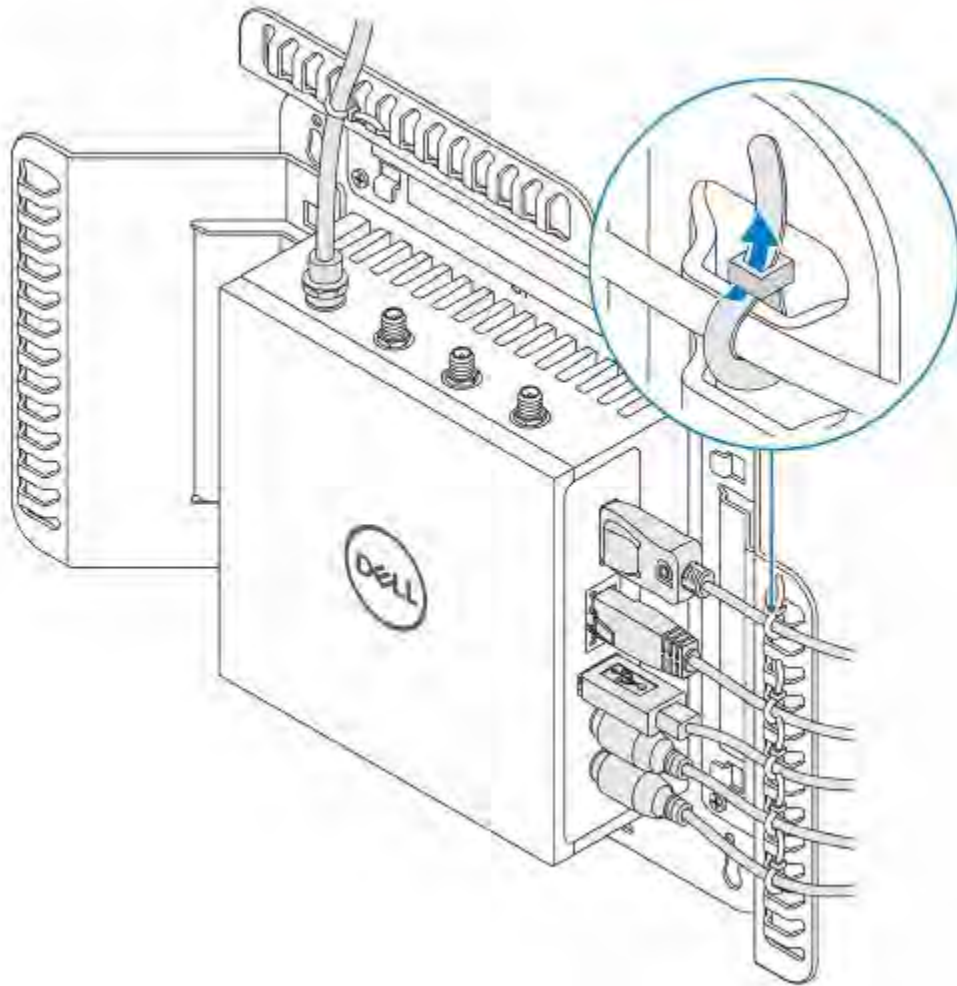


3. Align the screw holes on the cable control bar with the screw holes on the mounting bracket.
4. Tighten the six M3 x 3.5 mm screws that secure the cable control bar to the mounting bracket.

 NOTE: Torque the screws at 5 +/- 0.5 kilograms-centimeter (11.02 +/- 1.1 pounds-inch).




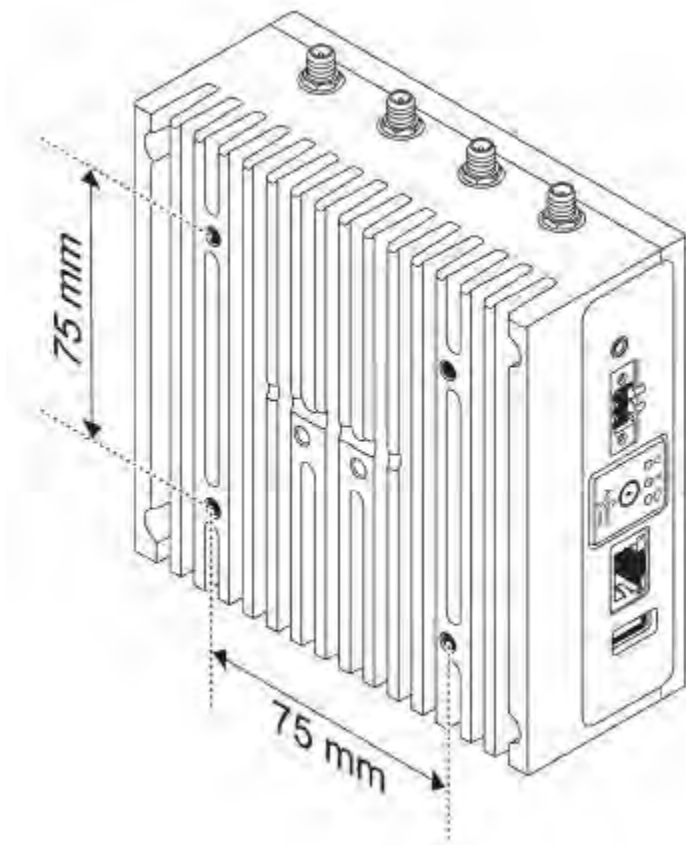
5. Connect the cables to the Edge Gateway.
6. Loop the cable lock (not supplied) to secure each cable to the cable control bar.




## Mounting the Edge Gateway using a VESA mount

The Edge Gateway can be mounted on a standard VESA mount (75 mm x 75 mm).

 NOTE: VESA mount option is sold separately.




# Setting up your operating system

 **WARNING:** To prevent operating system corruption from sudden power loss, use the operating system to gracefully shut down the Edge Gateway.

The Edge Gateway is shipped with one of the following operating systems:

- Windows 10 IoT Enterprise LTSB 2016
- Ubuntu Snappy Series 16

 **NOTE:** For more information about the Windows operating system, see [msdn.microsoft.com](https://msdn.microsoft.com).

 **NOTE:** For more information about the Ubuntu Snappy Series 16 operating system, see [www.ubuntu.com/desktop/snappy](https://www.ubuntu.com/desktop/snappy).

## Windows 10 Enterprise LTSB 2016

### Overview

The Edge Gateway is shipped with Windows 10 IoT Enterprise LTSB 2016. For more information about Windows 10 operating system, see <https://support.microsoft.com/en-us>.

### Setting up Windows 10 Enterprise LTSB 2016

1. Using the network cable, connect the Edge Gateway to your local network with a DNS server, which provides an IP address to the Gateway.
2. Launch Remote Desktop Connection from another client machine on the same local network and log in using the supplied computer name, user name, and password.
3. After login, create a unique user name and password.

### Boot up and login

1. Connect the Edge Gateway to a DHCP enabled network that provides IP addresses or directly to another Windows 10 system.
2. Turn on the Edge Gateway.
3. On the Host Machine, launch Remote Desktop Connection.
4. Use the default computer name, user name, and password provided with your Edge Gateway to remote desktop connection into the system.
5. Create a new user name and password with admin rights to secure the system.
6. Delete the default profile.

## Windows 10 IOT Enterprise LTSB 2016 basic functions

### BIOS Update

BIOS updates for the Edge Gateway can be downloaded from [www.dell.com/support](http://www.dell.com/support). The download includes an executable that may be ran from the local machine.



## Watchdog Timer

The Watchdog Timer for Windows 10 IoT Enterprise LTSC 2016 is controlled through the BIOS setting. Enter the BIOS during boot by pressing F2. The Watchdog Timer is enabled and disabled under the BIOS setting Watchdog Timer.

## TPM Support

Windows 10 IoT Enterprise LTSC 2016 supports TPM 2.0. For more information about TPM resources, see [technet.microsoft.com/en-us/library/cc749022\(v=ws.10\).aspx](https://technet.microsoft.com/en-us/library/cc749022(v=ws.10).aspx).

## System Shutdown and Restart

Click the Start Icon and then press Power then Restart or Shutdown the Edge Gateway.

## LAN/WLAN Network configuration

Click the Start Icon and then type `Settings` and open the Settings window. Select Network & Internet from the settings menu.

## Bluetooth configuration

Click the Start Icon and then type `Settings` and open the Settings window. Select Devices from the settings menu and then select Bluetooth from the menu on the left panel.

## DW5815 Network configuration

Follow the Service Manual to install and configure the WWAN module and the corresponding carrier SIM card for the system. After the WWAN module and the SIM cards are installed:

1. Click the Start Icon and then type `Settings` and open the Settings window.
2. Select Network & Internet from the Settings menu.
3. Locate the WWAN connection in the Wi-Fi section and select the entry to connect and disconnect from the WWAN adapter.

# Snappy Ubuntu Core Series 16

## Overview

Snappy Ubuntu Core Series 16 is a Linux OS distribution that is an entirely new mechanism for managing a system and its applications. For more information on Snappy Ubuntu Core Series 16 OS, see

- [www.ubuntu.com/cloud/snappy](http://www.ubuntu.com/cloud/snappy)
- [www.ubuntu.com/internet-of-things](http://www.ubuntu.com/internet-of-things)

## Pre-requisites

### Infrastructure

An active connection to the internet is needed to update the Snappy Ubuntu Core Series 16 operating system as well as applications (snaps)

### Prior knowledge


- Familiarity with Unix/Linux commands
- Knowledge of how to use the serial communication protocol
- Knowledge of how to use a terminal emulator (for example; PuTTY)
- Knowledge of your network settings (proxy URL, ports, name servers, and so on)

## Boot up and log in



**NOTE:** The Snappy Ubuntu Core Series 16 operating system has no graphical user interface

Turn on the Edge Gateway and when prompted log in to the OS using the default credentials. The default user name and password for Ubuntu Core Series 16 is admin.

 NOTE: The user name and password are both lowercase.

For example;

```
Ubuntu 16.04 localhost.localdomain tty1
```

```
localhost login: ubuntu
```

```
Password: ubuntu
```

Press Enter, the following text is displayed:

```
Ubuntu 16.04 localhost.localdomain tty1
```

```
localhost login: ubuntu
```

```
Password
```

```
Last login: Mon Nov 2 16:47:43 UTC 2015 on tty1
```

```
Welcome to Ubuntu Core Series 16, a transactionally updated Ubuntu
```

```
* See http://ubuntu.com/snappy
```

```
It's a brave new world her in snappy Ubuntu Core! This machine  
does not use apt-get or deb packages. Please see 'snap -help'  
for app installation and transactional updates
```

```
(plano)ubuntu@localhost:~$
```

## Updating operating system and applications

After enabling the network connections, and connecting to the internet, it is recommended to have the latest OS components and applications installed. To update Snappy Ubuntu Core Series 16, run the `(plano)ubuntu@localhost:~$ sudo snappy update` command.

## Viewing operating system and application versions

Running command,

```
(plano)ubuntu@localhost:~$ sudo uname -a
```

returns

```
Linux ubuntu.localdomain 3.19.0-47-generic #53-Ubuntu SMP Mon Jan 18 14:02:48  
UTC 2016 x86_64 x86_64 x86_64 GNU/Linux
```

Running command,

```
(plano)ubuntu@localhost:~$ sudo snap info
```

returns

```
Linux power5000.localdomain 3.19.0-47-generic #53-Ubuntu SMP Mon Jan 18  
14:02:48 UTC 2016 x86_64 x86_64 x86_64 GNU/Linux
```

Running command,


```
(plano)ubuntu@localhost:~$ snap list -v
```

returns

Name	Date	Version
Developer		
ubuntu-core	2015-10-13	7 ubuntu
bluez	2015-10-20	5.34-2
canonical*		
network-namager	2015-10-20	0.2 canonical*
plano-uefi-fw-tools	2015-10-20	0.5 canonical*
webdm	2015-10-20	0.9.2
canonical*		
plano-webdm	2015-10-20	1.7
canonical*		





 NOTE: Check if a newer version of the software is available. For more information on checking for updates, see [Updating operating system and applications](#).

## Useful commands

To access the built-in help, run the `(plano) ubuntu@localhost:~$ snap --help` command.

To see the system attributes, run the `(plano) ubuntu@localhost:~$ snap info` command.

To see a list of all the snaps that are currently installed, run the `(plano) ubuntu@localhost:~$ snap list` command.

To see a list of all the snaps that you can install on the system, run the `(plano) ubuntu@localhost:~$ snap search` command.

To see a list of service commands that are available, run the `(plano) ubuntu@localhost:~$ snap service help` command.

To see the service status, run the `(plano) ubuntu@localhost:~$ snap service status` command.

## Updating the system name

1. To change the system name, make a folder Read\Write and then make changes to two files:

- `/etc/hosts`
- `/etc/hostname`

2. Make a backup of the file names.

```
(plano) ubuntu@localhost:~$ sudo cp /etc/hosts /etc/hosts.old
(plano) ubuntu@localhost:~$ sudo cp /etc/hostname /etc/hostname.old
```

3. Edit the hosts file.

```
(plano) ubuntu@localhost:~$ sudo vi /etc/hosts
```

For example;

```
127.0.0.1    localhost.localdomain localhost
127.0.1.1   <newname>.localdomain <newname>
```

4. Edit the hostname file.

```
(plano) ubuntu@localhost:~$ sudo vi /etc/hostname
```

5. Reboot the system to allow the changes to take effect.


```
(plano) ubuntu@localhost:~$ sudo shutdown -r 0
```

## Changing the time zone

When the system arrives from the factory the OS will usually be set to UTC time zone. To change the time zone to your location you will need to run the command:

```
(plano) ubuntu@localhost:~$ sudo mount -o remount,r/
(plano) ubuntu@localhost:~$ sudo dpkg-reconfigure tzdata
```

Follow the menus the program provides to select the correct time zone. After you have set the time zone you will need to reboot the computer.

 NOTE: Ubuntu Snappy runs a time sync daemon. Changing the time will require a special utility to change the time. On the desktop version of the Ubuntu OS, read the man file for the utility `timedatectl`. This man file explains how to change the time manually.

## Enabling console login via serial

To enable console login via serial (`ttyS6`) you will need to edit the `/boot/grub/grub.cfg` file, save your changes, and reboot the gateway.

```
(plano) ubuntu@localhost:~$ sudo vi /boot/grub/grub.d
```

Got to line number 42 and change the first console-ttyS0 so that it points to ttyS6 `console=ttyS6`. Now the line in the file should look like this:

```
42 set cmdline="root=LABEL=$label ro init=/lib/systemd/systemd console=ttyS6
console=tty1 panic=-1"
```

Save the file, and reboot the Edge Gateway. Upon reboot you will be able to see the Operating System boot process as well as you will be able to login to the gateway via the console screen that is using the serial port on the front of the Edge Gateway.

## Network Communication Interfaces

The Edge Gateway 3000 series comes with two Ethernet connections, one 802.11b/g/n wireless network connection, and one Bluetooth network connection.

### Ethernet (Port 1, eth0)

Assuming that you have an internet enabled Ethernet cable plugged into Port1, your screen should be similar to the one below after running the `ifconfig` command. If the Wi-Fi and Bluetooth have not been configured you will not see them present in the network device list.

```
(plano)ubuntu@localhost:~$ ifconfig
```

After running the `ifconfig` command:

```
eth0      Link encap:Ethernet HWaddr 74:e6:e2:e3:0f:12
          inet addr:192.168.28.216 Bcast:192.168.28.255      Mask:255.255.255.0
          inet6 addr: fe80::76e6:e2ff:fee3:f12/64 Scope:Link
          UP BROADCAST RUNNING MULTICAST MTU:1500 Metric:1
          RX packets:11 errors:0 dropped:0 overruns:0 frame:0
          TX packets:19 errors:0 dropped:0 overruns:0 carrier:0
          Collisions:0 txqueuelen:1000
          RX bytes:1740 (1.7 KB) TX bytes:2004 (3.0 KB)

lo        Link encap:Local Loopback
          inet addr:127.0.0.1 Mask:255.0.0.0
          inet6 addr: ::1/128 Scope:Host
          UP LOOPBACK RUNNING MTU:65536 Metric:1
          RX packets:160 errors:0 dropped:0 overruns:0 frame:0
          TX packets:160 errors:0 dropped:0 overruns:0 carrier:0
          Collisions:0 txqueuelen:1000
          RX bytes:13920 (13.9 KB) TX bytes:13920 (13.9 KB)
```

```
(plano)ubuntu@localhost:~$
```

### Wi-fi (mlan0)

You will use the Network Manager TUI graphical manager to add/remove wireless networks which can be found in the `/apps/bin` folder.

```
(plano)ubuntu@localhost:~$ cd /apps/bin
(plano)ubuntu@localhost:~$ cd /apps/bin
(plano)ubuntu@localhost:/apps/bin$
(plano)ubuntu@localhost:/apps/bin$ sudo ./nmtui
```

After you add a new Wi-Fi connection, return to the command prompt and run the `ifconfig` command again. You should see that your Wi-Fi network device has connected to the access point you just added and it has obtained an ip-address.

### Bluetooth

Use the supplied command line utility to add/remove/communicate with Bluetooth devices. The command line utility can be found in the `/apps/bin` folder.

Before setting up the Bluetooth connection, a Bluetooth device that is discoverable and can discover other devices (for example a cell phone)– is called `device_2`.



1. Access the command line utility.  
(plano)ubuntu@localhost:~\$ sudo ./apps/bin/bluetoothctl
2. To see what Bluetooth devices are installed on the system under test run the [bluetoothctl]# list command.
3. To view the status of the installed Bluetooth device, run the [bluetoothctl]# show command.
4. If the installed Bluetooth device is not powered on, run the [bluetoothctl]# power on command.
5. If the installed Bluetooth device is not discoverable, run the [bluetoothctl]# discoverable on command.
6. If the installed Bluetooth device is not pair-able, run the [bluetoothctl]# pairable on command.
7. Scan for new devices by running the [bluetoothctl]# scan on command.



NOTE: Make sure that device\_2 is set to discoverable and ready to pair with the Edge Gateway.

If required, acknowledge or approve the Edge Gateway connection request to device\_2. If device\_2 is found it should display its device ID on the screen under the last command issued. For example, if pairing with a phone, the ID will look similar to <phone name>: XX:XX:XX:XX:XX:XX

8. Turn the device scanning off by running the [bluetoothctl]# scan off command.
9. Turn pairing mode off by running the [bluetoothctl]# scan off command.
10. Turn discovery off by running the [bluetoothctl]# discoverable off command.
11. Turn the power to the device off by running the [bluetoothctl]# power off command.
12. Exit the program by running the [bluetoothctl]# quit command.

### Software enabled Access Point (SoftAP)



NOTE: This feature depends on Wi-Fi card and associated driver support to act as a wireless access point.

To install SoftAP:

1. Login to snappy, make sure the device is connected to internet.
2. Run the #sudo snap search softap command to find the application from Snappy Store.
3. Run the #sudo snap install wifi-ap command to install the app.

After snap is installed make sure that your system has the following snaps, with the minimum version number listed, installed on your system.

- network-manager 0.8 canonical
- sw-access-point 1.0 canonical

After the snap installation the service should be running as default configuration:

```
SSID: Ubuntu
Open-authentication
802.11n 2.4GHz (G mode)
IP Address: 10.0.60.1
DHCP Range: 10.0.60.3-20
DNS server: 10.0.60.1
Gateway: 10.0.60.1
```

### Modes of operation - Access Point

The default mode of operation of this snap is Access Point (AP). To connect to the AP, a client simply needs to discover a network following the specifications defined above. The AP is configured to accept and forward all network traffic as a slave access point would on any WiFi network. The AP can be configured to change its common settings such as SSID, hardware mode and security. To do this, the /var/lib/apps/swaccesspoint.canonical/current/hostapd.conf file must be edited.



NOTE: This file corresponds to the hostapd configuration file from Linux and it's manual pages can be found online at: <https://w1.fi/cgit/hostap/plain/hostapd/hostapd.conf>



Default provided configuration is:

```
interface=uap0
driver=nl80211
ssid=Ubuntu
hw_mode=g
channel=6
macaddr_acl=0
auth_algs=1
ignore_broadcast_ssid=0
wmm_enabled=1
ieee80211n=1
WPAPSK
```

Example:

```
interface=uap0
driver=nl80211
ssid=Ubuntu
hw_mode=g
channel=6
macaddr_acl=0
auth_algs=1
ignore_broadcast_ssid=0
wpa=2
wpa_passphrase=UbuntuAP
wpa_key_mgmt=WPAPSK
wpa_pairwise=TKIP
rsn_pairwise=CCMP
wmm_enabled=1
ieee80211n=1
```

To reload configuration and restart the hotspot, run the `$ sudo snap service restart swaccesspoint` command.

In the case of a network being manually configured via `ifupdown`, the software access point will not start as it would otherwise clash in the wireless namespace. The same is not true of Network Manager configured networks, those don't cause the AP to stop and depending on the setup can work at the same time.

In case of any issues, please bring down the `mlan0` connections setup by Network Manager and allow configuration through the provide web interface.

Modes of operation - Client Network Selection

The second mode of operation is that of using the AP to leverage a default interface for finding and connecting to other local wireless networks. This is the use case of an out-of-the-box experience where the AP is solely being used for initial configuration.

If you connect a client to the access point and point the browser to `http://10.0.60.1:8888` you can find a web interface. Through this web interface, you can scan for nearby networks of the device and configure its connection to an SSID of your choice. By doing this the access point functionality is disabled and the device goes into client/managed mode. Upon selection of a network and introduction of the password, the device will configure the network and reboot. Note that the client device on which the browser was running should now join the same network to connect to Snappy Ubuntu Core Series 16 system.

## Additional Communication Interfaces

### CANbus

The device used in the Edge Gateway 3000 is the Microchip PIC32MX530F128H microcontroller. This feature is only supported if hardware module presented, OS provides the capability of mutual communication between user space application and physical module. If there is a specific CAN bus programming requirement of user mode application, contact the hardware provider of that module for API documentation.

The CANbus LEDs default state is OFF, and will only be ON when data is being transmitted.

Ready to use software to control or manipulate the device is not available from Dell. The information listed below is provide by the device' s manufacturer. Dell does not have any specifications regarding the function of F/W design of



CANBus and PIC GPIO controller. Dell is providing basic 'bit-banging' & data I/O transfer capability, the rest is determined by an ISV's or SI's application. Additionally ISV's or SI's could acquire other software packages from Microchip, if available, and download them to the controller.

#### Microsoft Windows

If you are using a Microsoft Windows operating system the VID and PID will show as `HID\VID_04D8&PID_003F` or `HID\VID_04D8&PID_003C`.

#### Snappy Ubuntu Core 16

To verify that the hardware is installed when running Snappy, run the `#dmesg | grep -i microchip` command.

#### Serial

The RS232 and RS422\485 LEDs default state is OFF, and will only be ON when data is being transmitted. The device nodes are ordered by port position starting with the left most port being RS232.

Number	Port Type	Connector	Device Node	Mem Space	IRQ
1	RS232	DB9	/dev/ttyS6	2D0h	IRQ 7
2	RS422_485	Phoenix 5 pin	/dev/ttyS4	3E0h	IRQ 10
3	RS485	Phoenix 3 pin	/dev/ttyS5	2E0h	IRQ 11
4	RS485	Phoenix 3 pin	/dev/ttyS2	3E8h	IRQ 10

#### RS232

Ready to use software to control or manipulate devices are not available from Dell.

#### RS422\RS485

Ready to use software to control or manipulate the device is not available from Dell.

The transceiver for RS485\RS422 SP339EER as well as dedicated RS485 transceivers XR3088XID share ESD protection specs of: "All transmitter outputs and receiver inputs feature robust electrostatic discharge (ESD) protection to  $\pm 15\text{kV}$  IEC-61000-4-2 Air Gap,  $\pm 8\text{kV}$  IEC-61000-4-2 Contact, and  $\pm 15\text{kV}$  Human Body Model (HBM)"

#### Zigbee

The device used in the Edge Gateway is the Silicon Labs ETRX3587HR-D1. This feature is only supported if hardware module presented, OS provides the capability of mutual communication between user space application and physical module. If there is a specific Zigbee programming requirement of user mode application, contact the hardware provider of that module for API documentation.

#### Security


##### Trusted Platform Module (TPM)

TPM is supported on the Dell Edge Gateway 3000 Series. This setting is configurable in the BIOS and manageable in the OS.

#### Watchdog Timer

WDT is recommended to be default enabled to active the fail-safe circuitry, Snappy is a Watchdog Timer compatible OS provides capability to detect and recover system from malfunctions, the design reacts by itself when system hangs unexpected crash.

#### Cloud Light

 NOTE: If you are using Microsoft Windows 10 Enterprise LTSB the cloud light will not function. This is due to a Microsoft driver issue that was not resolved by the time the OS was released.

One unique feature of the Edge Gateway 3000 series is the Cloud Light. The Cloud Light allows you to visually inspect the operational status of the Edge Gateway just by looking at the display light on the left side panel of the system.

To enable this feature all that you need to do is expose and program a GPIO register on the system.



1. Expose the GPIO register.

```
(plano)ubuntu@localhost:~$ sudo sh -c 'echo 346 > /sys/class/gpio/export;
sleep 2; echo out > /sys/class/gpio/gpio346/direction'
```


2. Command to turn on the LED.

```
(plano)ubuntu@localhost:~$ sudo sh -c 'echo 1 > /sys/class/gpio/gpio346/
value'
```

3. Command to turn off the LED.

```
(plano)ubuntu@localhost:~$ sudo sh -c 'echo 0 > /sys/class/gpio/gpio346/
value'
```

## Restoring Snappy Ubuntu Core Series 16

 CAUTION: Following the steps deletes all the data on your system.

The following steps refer to different methods through which the Snappy Ubuntu Core Series 16 operating system can be restored to the factory image.

### External storage

On supported platforms, you can download the factory image from [www.dell.com](http://www.dell.com) to restore your Edge Gateway by external media kit. For more information, see [www.dell.com/support/article/us/en/19/SLN301761](http://www.dell.com/support/article/us/en/19/SLN301761).


### Factory OS recovery image

You can restore Snappy Ubuntu Core Series 16 on the Edge Gateway using the recovery OS image on the boot partition. Reset the system back to the factory image if you encounter any of the following situations:

- You are unable to start the operating system.
- The operating system is damaged.

Connect a keyboard, mouse, and monitor to the Edge Gateway, or connect to the Edge Gateway through a KVM session.


1. Turn on the system.
2. Press F12 when the Dell logo is displayed on the screen to enter the boot menu.
3. Select **Factory Restore** from the boot menu.

 CAUTION: Following the step deletes all the data on your system.

4. Press **Y** when prompted **Factory Restore will delete all user data, are you sure?** [Y/N].  
System restore starts and reinstalls the OS on your Edge Gateway.

## Flashing a new OS Image

### Pre-requisites


- USB 2.0 or USB 3.0 flash drive (4 GB min.)
- Ubuntu Snappy Core 16 ISO.  
 NOTE: You can download the latest version of the Ubuntu ISO file from <http://releases.ubuntu.com>.
- A released Snappy Ubuntu Core 16 image from Dell/Canonical: <unique name>.img.xz
- Dell Edge Gateway 3000 series hardware
- USB keyboard
- USB mouse
- Ethernet cable (x2)
- Ubuntu workstation with Ubuntu 14.04 release or higher.




## Flashing new Ubuntu OS image

1. Insert an USB flash drive into Ubuntu Workstation.
2. Download `caracalla-alpha-20161020-3.img.xz` to `~/Downloads/` directory.
3. Flash the installation image to USB disk.
  - a. Start Terminal application. It can be found by typing `Terminal` in the Unity Dash.
  - b. Type the following command and press Enter.


```
xzcat /cdrom/ caracalla-20161020-3.img.xz | sudo dd  
of=/dev/sdb bs=32M ; sync
```

 NOTE: The `sdb` may need to be replaced with the actual name of the drive on the system.

 WARNING: `dd` command will erase the content of the drive it writes to.
  - c. Mark USB disk label as `INSTALLER` by following command and press Enter.

```
sudo fatlabel /dev/sdb1 INSTALLER ; sudo parted -ms  
/dev/sdb name 1 INSTALLER
```
  - d. Verify USB disk label by following two commands and press Enter.

```
ls /dev/disk/by-label/INSTALLER  
ls /dev/disk/by-partlabel/INSTALLER
```

 NOTE: If it shows any "No such file or directory" . Please redo step c to d.
4. Unmount and remove USB flash drive.
5. Connect power, keyboard, monitor, and Ethernet cable, to Edge Gateway.
6. Insert USB flash drive into the Edge Gateway.
7. Turn on and boot-up the Edge Gateway from the USB flash drive.

The installation USB disk will flash Snappy Ubuntu Core Series 16 installation image into storage automatically. After the installation is complete, it will shutdown the system.
8. Remove the USB flash drive.
9. Restart the system.

Snappy Ubuntu Core Series 16 is installed on your Edge Gateway.

## Flashing the BIOS

### Prerequisites

- BIOS file. Download the file from [www.dell.com/support](http://www.dell.com/support).
  - USB 2.0 or USB 3.0 flash drive (4 GB min).
  - Turn off the Edge Gateway has been turned off.
1. On a separate computer, unzip the BIOS update file that you downloaded from [www.dell.com/support](http://www.dell.com/support).
  2. Open the extracted file folder `Edge_Gateway3000_1.X.X`.
  3. Copy the BIOS update file, it is labeled `Edge_Gateway3000_1.X.X.exe`, to a USB flash drive.
  4. Insert the USB flash drive in one of the available USB ports on the Edge Gateway.
  5. Turn on the Edge Gateway.
  6. Press `F12` when the Dell logo is displayed on the screen to enter the One-time boot screen.
  7. On the One-time boot screen, choose `Flash the BIOS` .
  8. On the next screen, select the BIOS file (`Edge_Gateway3000_1.X.X.exe`) on the USB key.
  9. Start the Flash process.

## Edge Gateway CAN Module Functions

Description: The Edge Gateway supports an optional CAN module that is mounted inside the Gateway itself. The CAN module is enumerated to the OS as a USB device as USB HID device to the Linux kernel driver layer on the Wind River

Linux host. There are no native application software on the factory installed OS image to perform CAN protocol for this device.

The CAN module presence on the Gateway can be identified by issuing `lsusb` command in the Linux prompt and looking for "Microchip Technology Inc.," based device.

For CAN communication protocols and software API references a separate set of references and articles will be provided outside of this document.





# References

Besides this Installation and Operations Manual, you may need to see the following documents available at [www.dell.com/support/manuals](http://www.dell.com/support/manuals).

- Dell Edge Gateway 3000 Specifications
- Dell Edge Gateway 3000 Service Manual
- Dell SupportAssist For Dell OpenManage Essentials Quick Start Guide
- Dell Command | Configure User's Guide
- Dell Command | Configure Reference Guide
- Dell Command | Monitor User's Guide
- Dell Command | Update User's Guide
- Dell Command | PowerShell Provider User's Guide


Additionally, for more information on using Dell Data Protection | Encryption see the documentation for the software at [www.dell.com/support/manuals](http://www.dell.com/support/manuals).

# Contacting Dell

To contact Dell for sales, technical assistance, or customer service issues:

1. Go to [www.dell.com/contactdell](http://www.dell.com/contactdell).
2. Verify your country or region in the drop-down list at the bottom of the page.
3. Select the appropriate service or support link based on your requirement or choose the method of contacting Dell that is convenient for you.

Dell provides several online and telephone-based support and service options. Availability varies by country and product, and some services may not be available in your area.

-  NOTE: If you do not have an active internet connection, you can find contact information on your purchase invoice, packing slip, bill, or Dell product catalog.

