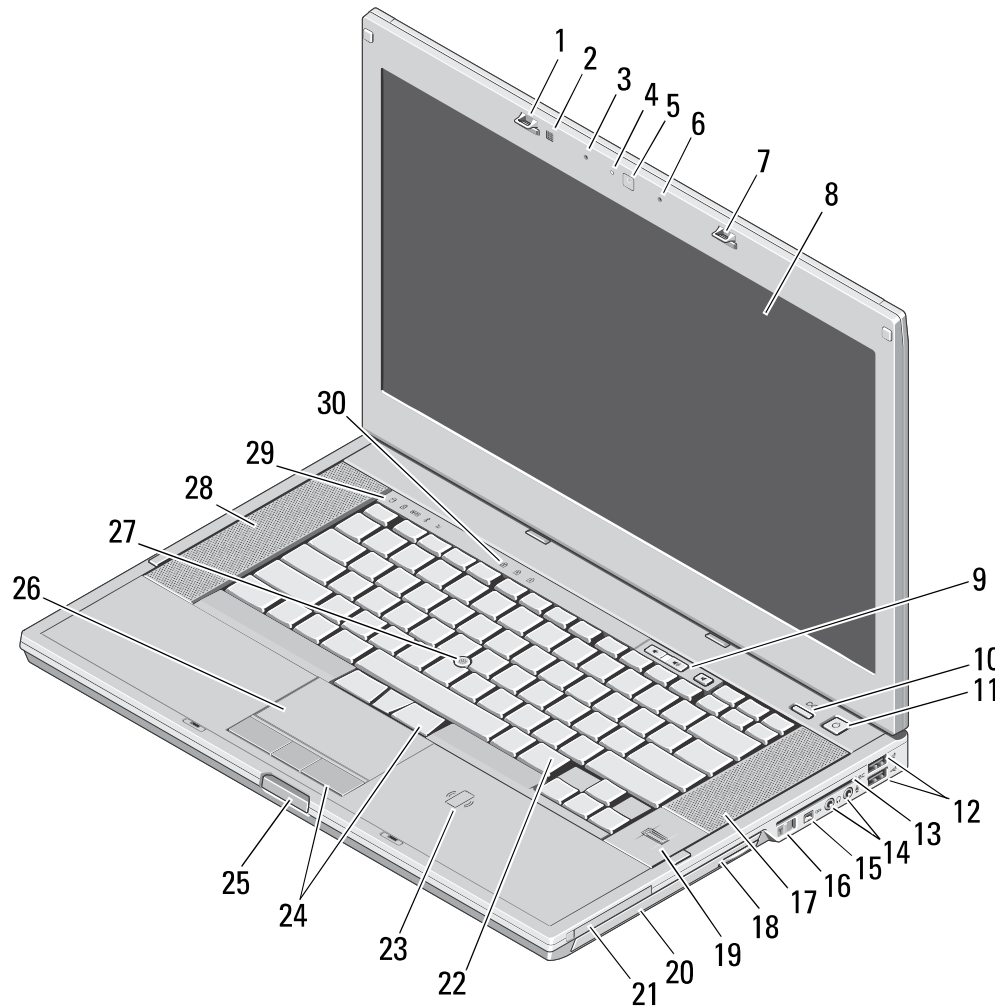


Dell Precision™ Mobile Workstation M4500

Setup and Features Information

Front View



About Warnings



WARNING: A WARNING indicates a potential for property damage, personal injury, or death.

- | | |
|---|---|
| 1 display latch | 2 ambient light sensor |
| 3 stereo microphone | 4 camera LED (optional) |
| 5 camera (optional) | 6 stereo microphone |
| 7 display latch | 8 display |
| 9 volume control buttons | 10 Dell Precision ON™ button |
| 11 power button | 12 USB 2.0 connectors (2) |
| 13 smart card slot | 14 audio connectors |
| 15 IEEE 1394 connector | 16 wireless switch |
| 17 right speaker | 18 CD/DVD/Blu-ray disc drive eject button |
| 19 fingerprint reader (optional) | 20 CD/DVD/Blu-ray disc drive |
| 21 PC card slot | 22 keyboard |
| 23 contactless smart card reader (optional) | 24 touchpad/trackstick buttons |
| 25 display latch release button | 26 touchpad |
| 27 trackstick | 28 left speaker |
| 29 device status lights | 30 keyboard status lights |

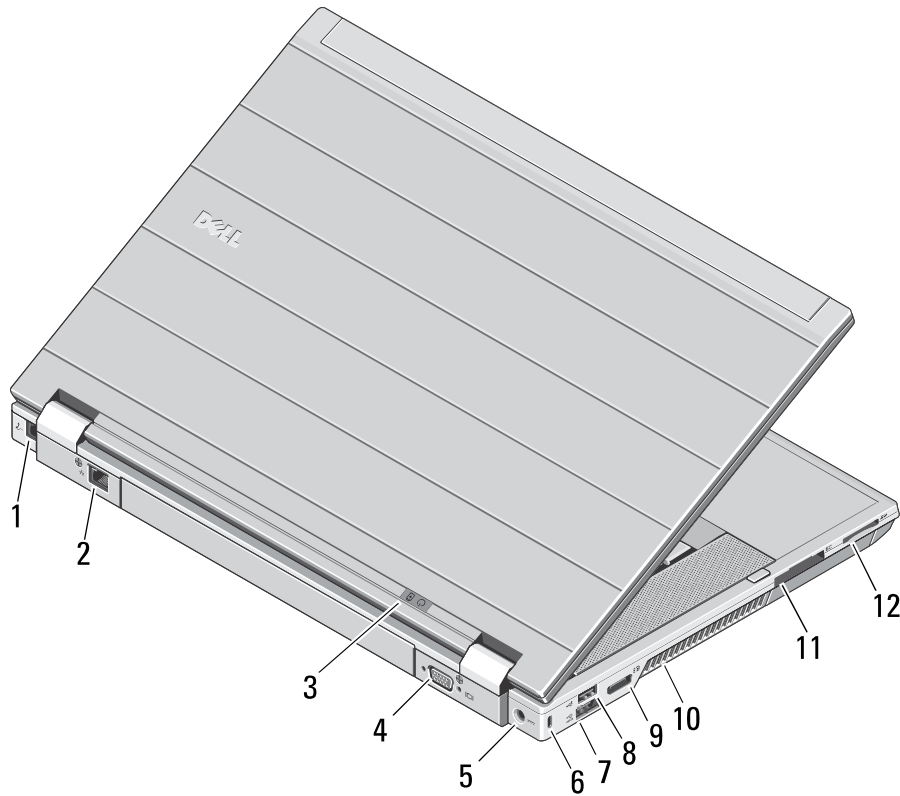


Regulatory Model: PP30LA

Regulatory Type: PP30LA001

January 2010

Back View





- 1 modem connector (optional)
- 2 network connector
- 3 power/battery indicators
- 4 video connector (VGA)
- 5 AC adapter connector
- 6 security cable slot
- 7 eSATA/USB 2.0 connector
- 8 USB 2.0 connector
- 9 DisplayPort connector
- 10 cooling vent
- 11 ExpressCard slot
- 12 Secure Digital (SD) slot





WARNING: Do not block, push objects into, or allow dust to accumulate in the air vents. Do not store your Dell computer in a low-airflow environment, such as a closed briefcase, while it is running. Restricting the airflow can damage the computer or cause a fire. The computer turns on the fan when the computer gets hot. Fan noise is normal and does not indicate a problem with the fan or the computer.

Quick Setup

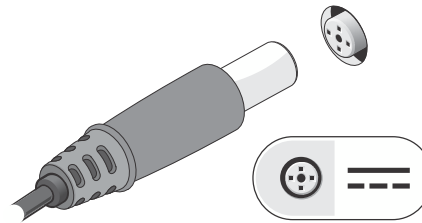
 **WARNING:** Before you begin any of the procedures in this section, read the safety information that shipped with your computer. For additional best practices information, see www.dell.com/regulatory_compliance.

 **WARNING:** The AC adapter works with electrical outlets worldwide. However, power connectors and power strips vary among countries. Using an incompatible cable or improperly connecting the cable to the power strip or electrical outlet may cause fire or equipment damage.

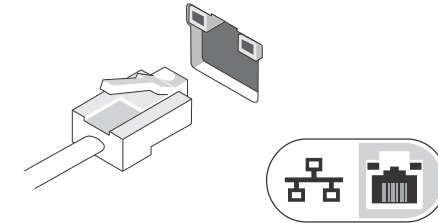
 **CAUTION:** When you disconnect the AC adapter cable from the computer, grasp the connector, not the cable itself, and pull firmly but gently to avoid damaging the cable. When you wrap the AC adapter cable, ensure that you follow the angle of the connector on the AC adapter to avoid damaging the cable.

 **NOTE:** Some devices may not be included if you did not order them.

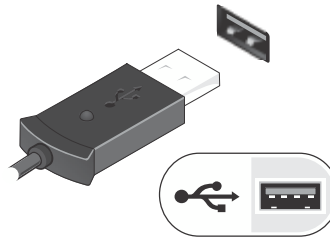
1 Connect the AC adapter to the AC adapter connector on the portable computer and to the electrical outlet.



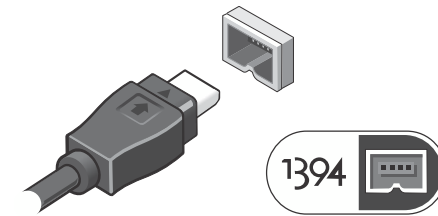
2 Connect the network cable (optional).



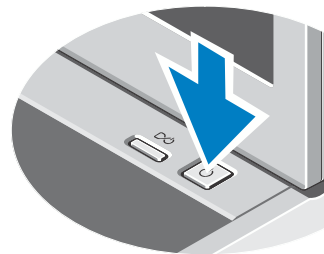
3 Connect USB devices, such as a mouse or a keyboard (optional).




4 Connect IEEE 1394 devices, such as a DVD player (optional).



5 Open the computer display and press the power button to turn on the computer.



 **NOTE:** It is recommended that you turn on and shut down your computer at least once before you install any cards or connect the computer to a docking device or other external device, such as a printer.

Specifications



NOTE: Offerings may vary by region. For more information regarding the configuration of your computer, click **Start**→ **Help and Support** and select the option to view information about your computer.

System Information

Processor type	Intel® Core™ i5 Intel Core i7
Chipset	Mobile Intel 5 series chipset (QM75)

Video

Video type:	Discrete
Data bus	PCI-E x 16 Gen1 (for 620M, 540M, or 520M processors) PCI-E x 16 Gen2 (for 920XM, 820QM, or 720QM processors)
Video controller	NVIDIA® Quadro® FX 880M NVIDIA Quadro FX 1800M

Memory

Type	DDR3, 1066 MHz(620M, 540M, or 520M processors) DDR3, 1066 MHz or DDR3, 1333 MHz (for 920XM, 820QM or 720QM processors)
Memory module connector	2 SoDIMM slots

Memory

Memory module capacity	2 GB, 4 GB, or 8 GB
Minimum memory	2 GB
Maximum memory	8 GB

Contactless Smart Card

Supported Smart Cards/Technologies	ISO14443A -- 106kbps, 212kbps, 424kbps, and 848kbps ISO14443B -- 106kbps, 212kbps, 424kbps, and 848kbps ISO15693 HID iClass FIPS201 NXP Desfire
---------------------------------------	--

Battery

Type	6-cell "smart" lithium ion (60 WHr) 9-cell "smart" lithium ion (81 WHr long life battery option) 9-cell "smart" lithium ion (90 WHr)
------	---

Dimensions:

6-cell	
Depth	8.11 inches (206.00 mm)
Height	0.78 inch (19.80 mm)
Width	1.85 inches (47.00 mm)
9-cell	

Battery (continued)

Depth	8.18 inches (208.00 mm)
Height	0.87 inch (22.30 mm)
Width	2.71 inches (69.00 mm)
Weight:	
6-cell	0.72 lb (329.00 g)
9-cell	1.07 lb (485.00 g)
Voltage	11.10 V
Temperature range:	
Operating	0 °C to 35 °C (32 °F to 95 °F)
Storage	-40 °C to 60 °C (-40 °F to 149 °F)
Coin-cell battery	3 V CR2032 lithium coin cell

AC Adapter

Input voltage	100 – 240 V ~
Input current (maximum)	1.50 A or 2.50 A
Input frequency	50–60 Hz
Output power	130 W
Output current:	
130 W	6.70 A (maximum at 4-second pulse)
Rated output voltage	19.60 VDC
Dimensions:	
Height	2.76 inches (70.22 mm)
Width	5.77 inches (146.64 mm)

AC Adapter (continued)

Depth	0.64 inch (16.30 mm)
Temperature range:	
Operating	0 °C to 35 °C (32 °F to 95 °F)
Storage	-40 °C to 65 °C (-40 °C to 149 °F)

Physical

Height	1.08 inches (27.60 mm)
Width	14.73 inches (374.30 mm)
Depth	9.97 inches (253.30 mm)
Weight (with 6-cell)	6.40 lbs (2.90 kg)

Environmental

Temperature range:	
Operating	0 °C to 35 °C (32 °F to 95 °F)
Storage	-40 °C to 65 °C (-40 °F to 149 °F)
Relative humidity (maximum):	
Operating	10% to 90% (noncondensing)
Storage	5% to 95% (noncondensing)
Altitude (maximum):	
Operating	-15.20 to 3048 m (-50 to 10,000 ft)
Storage	-15.20 to 10,668 m (-50 to 35,000 ft)

Finding More Information and Resources

See the safety and regulatory documents that shipped with your computer and the regulatory compliance website at www.dell.com/regulatory_compliance for more information on:

- Safety best practices
- Warranty
- Terms and Conditions
- Regulatory certification
- Ergonomics
- End User License Agreement

**Information in this document is subject to change without notice.
© 2010 Dell Inc. All rights reserved. Printed in the U.S.A.**

Reproduction of these materials in any manner whatsoever without the written permission of Dell Inc. is strictly forbidden.

Trademarks used in this text: *Dell*, the *DELL* logo, *Dell Precision*, and *Precision ON* are trademarks of Dell Inc.; *Intel* is a registered trademark and *Core* is a trademark of Intel Corporation in the U.S. and other countries. *NVIDIA* and *Quadro* are registered trademarks of NVIDIA Corporation in the U.S. and other countries.

Other trademarks and trade names may be used in this document to refer to either the entities claiming the marks and names or their products. Dell Inc. disclaims any proprietary interest in trademarks and trade names other than its own.