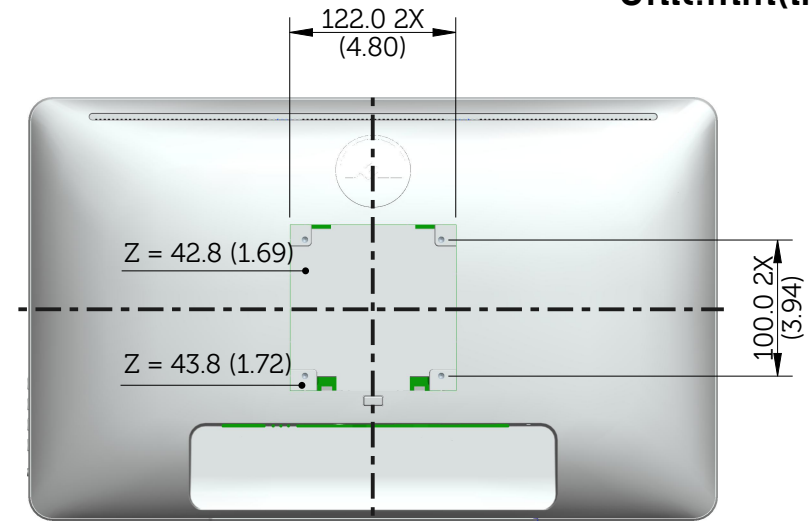
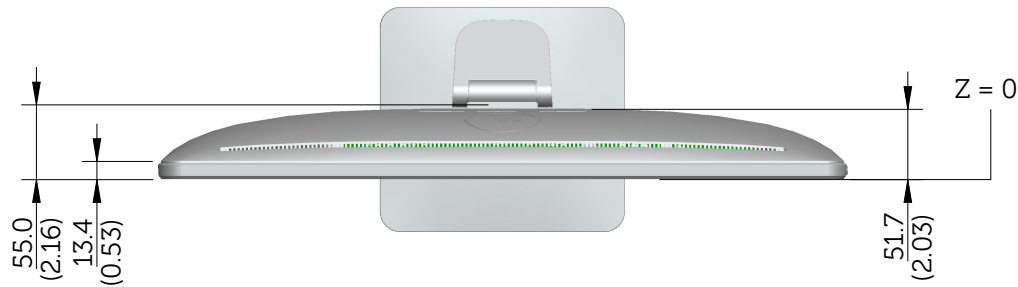


E2014T Outline Dimension

Nominal Dimensions
Unit:mm(inch)



Back view of Monitor without stand

