

SCv360 Expansion Enclosure Hardware Mounting Kits

The SCv360 expansion enclosure ships with the following hardware mounting kits:

Table 1. Standard Rail Kit


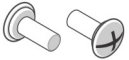
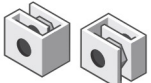
Part	Part Number	Description
	106-002-452	M5-0.8 x 10 mm Phillips pan-head SEMS screw (Quantity: 2) Used to secure the expansion enclosure rails to the front of the rack
	106-002-453	M5-0.8 x 16 mm Phillips pan-head SEMS screw (Quantity: 2) Used to secure the expansion enclosure rails to the back of the rack
	106-569-307	M5-0.8 clip nut (Quantity: 6) Used to secure the expansion enclosure chassis and top cover to a rack without threaded holes

Table 2. Universal Rail Kit


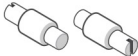
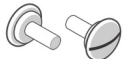
Part	Part Number	Description
	036-028-016	3.8 mm alignment pin (Quantity: 8) Replacement alignment pin used to mount rails in racks that have M5, #10-32, or #12-24 threaded holes
	036-028-017	4.8 mm alignment pin (Quantity: 8) Replacement alignment pin used to mount rails in racks that have M6 threaded holes
	036-028-018	M4-0.7 x 10 mm flathead screw (Quantity: 4) Used to secure expansion enclosure rails to a rack with threaded holes

Table 3. Expansion Enclosure Chassis Handle Kit

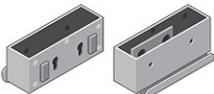
Part	Part Number	Description
	036-034-003	Expansion enclosure chassis handle (Quantity: 4) Used to lift the expansion enclosure chassis onto a mechanical lift and mount it in a rack



Table 4. Top Cover and Expansion Enclosure Chassis Kit

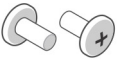

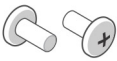

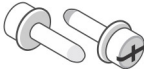


Part	Part Number	Description
	036-032-010	M5-0.8 x 12 mm truss head Phillips screw with nylon patch (Quantity: 2) Used to secure the top cover to a standard Dell rack or a third-party rack with non-threaded holes
	036-032-011	M6-1.0 x 12 mm truss head Phillips screw with nylon patch (Quantity: 6) Used to secure the expansion enclosure chassis to a nonstandard rack with M6 threaded holes
	036-032-009	#10-32 x 1/2 in. truss head Phillips screw with nylon patch (Quantity: 6) Used to secure the expansion enclosure chassis to a nonstandard rack with #10-32 threaded holes
	036-032-012	#12-24 x 1/2 in. truss head Phillips screw with nylon patch (Quantity: 6) Used to secure the expansion enclosure chassis to a nonstandard rack with #12-24 threaded holes

Table 5. 1U Management Tray Rail Kit

Part	Part Number	Description
	036-034-012	#8-32 x 3/4 in. Phillips screw (Quantity: 5) Used to secure the tray rails to a rack, regardless of the rack type
	036-034-003	Square hole alignment pin (Quantity: 9) Replacement alignment pin used to mount tray rails in racks that have 0.375 in. square holes
	036-034-004	Threaded hole alignment pin (Quantity: 9) Replacement alignment pin used to mount tray rails in racks that have threaded holes