

ATOMASTER HIGH PRESSURE HEATER MODEL A500

Spec. No. 3227G03 Form No. 431

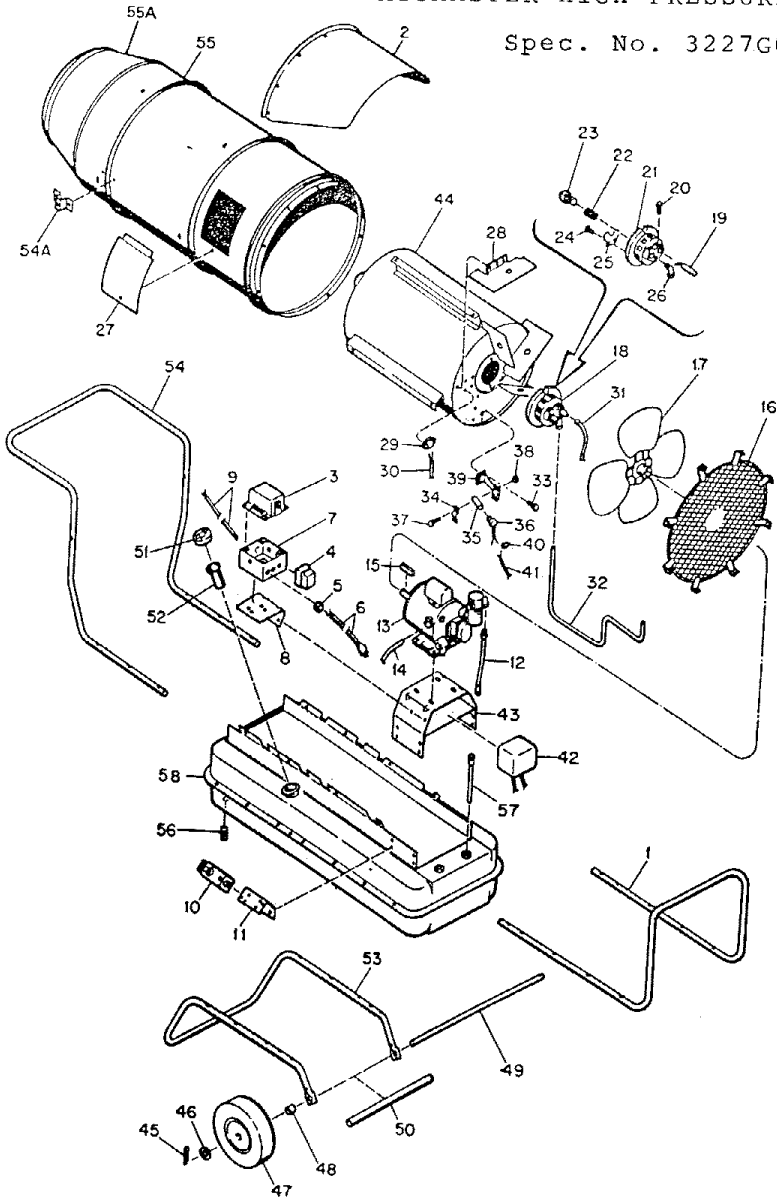


Figure 3. General Exploded View

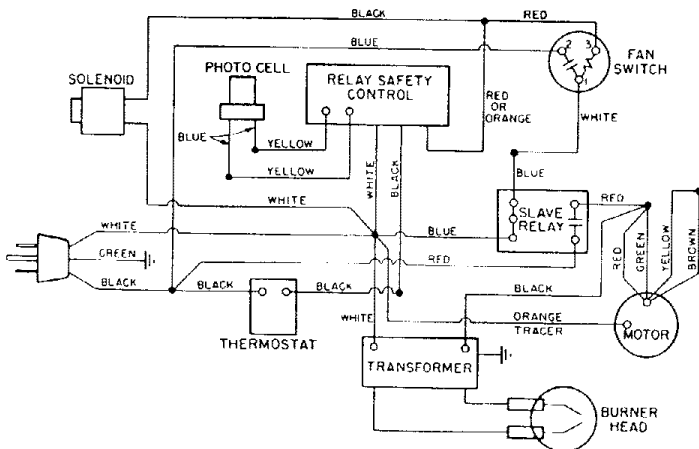
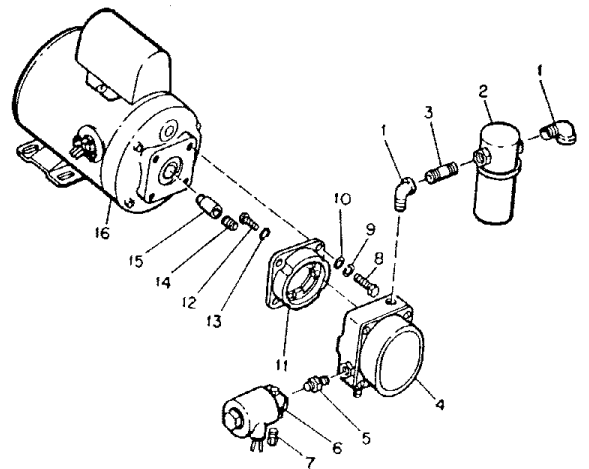


Figure 2. Wiring Diagram

Fig. & Index No.	Part Number	Part Name	Qty.
4-	M23383-1	Motor and Pump Assembly	1
1	57413	Elbow, Street 1/4 in.	2
2	M3973	Filter, Fuel	1
	M4307	. Filter Can	1
	M3301-2	. Filter Gasket	1
	M3301	. Filter Element	1
3	M17499-1	Nipple	1
4	M22872-2	Pump, Fuel	1
5	69246	Nipple, Pipe, 1/8 in.	1
6	M29700-01	Valve, Solenoid	1
7	M5976	Connector, Male	1
8	*HC5-7C	Screw, Hex hd., 5/16-18 x 3/4 in.	4
9	*WLM-5	Lockwasher, 5/16 in.	4
10	*WP-5C	Washer, Plain, 5/16 in.	4
11	M22348	Adaptor	1
12	*RF3-6C	Screw, Rd. hd., No. 10-32 x 3/4 in.	3
13	WP-5C	Washer, Plain	3
14	M18436	Spring	1
15	M22873	Coupling	1
16	M16006	Motor	1
	M29694-01	Tubing, Varnish, Solenoid Leads	1
	1001349	Connector, Solenoid Leads	1

Figure 4. Motor & Pump Assembly



ATOMASTER HIGH PRESSURE HEATER MODEL A500 Spec. No. 3227G03

Form No. 431

PARTS LIST

Fig. & Index No.	Part Number	Part Name	Qty.
3-1	M28872A	Handle, Rear	1
	NTC-3C	Nut, Self-locking 10-24 (AP)	10
	M12345-34	Screw, Oval hd 10-24 x 2 in. (AP)	6
	WP-3C	Washer, Plain No. 10 (AP)	6
	M12345-52	Screw, Oval hd, 10-24 x 3 in. (AP)	4
2	M14864AZ	Cowl	1
	M11084-27	Screw, Hex hd, 10-12 x 1/2 in. (AP)	7
	M11271-6	Nut, Tinnerman (AP)	4
3	M27570	Control, Safety	1
	M5187	Nut, Wire	3
	M3558	Nut, Wire	4
4	M20302	Relay	1
5	M3530	Grommet	6
6	M10813-61	Extension Cord Assembly	1
	69321-35	Connector, Straight	1
7	M3011	Box, Utility	1
	NTF-3C	Nut, Self-locking, 10-32 (AP)	3
	M12461-27	Screw, Hex hd, 10-32 x 1/2 in. (AP)	3
8	M27838BA	Bracket	1
	NTF-3C	Nut, Self-locking, 10-32 (AP)	2
	M12461-27	Screw, Hex hd, 10-32 x 1/2 in. (AP)	2
9	M17063-33	Cable Assembly	1
	M25131	Bushing, Strain Relief	1
10	M25297-12	Thermostat	1
	M10908-2	Screw, Hex hd, 6-32 x 3/8 in. (AP)	2
	WLI-1	Washer, Lock No. 6 (AP)	2
11	M25121BA	Bracket, Thermostat	1
	M11084-27	Screw, Hex hd, 10-12 x 1/2 in. (AP)	2
12	M3334-5	Fuel Line Assembly	2
13	M23383-1	Motor and Pump Assembly (See fig. 4 for details)	1
	NPC-6C	Nut, Plain, 3/8-16 (AP)	4
	WP-6C	Washer, Plain 3/8 in. (AP)	16
	HC6-8C	Screw, Hex hd, 3/8 x 1/2 in. (AP)	4
14	M29694-01	Tubing, Varnish	1
15	M24177	Key	1
16	M14901	Fan Guard Assembly	1
	M11084-27	Screw, Hex hd, 10-12 x 1/2 in. (AP)	2
	M11271-6	Nut, Tinnerman (AP)	2
17	M14968	Fan	1
	M12461-63	Screw, Hex hd, 1/4-20 x 1/2 in.	2
18	M9107-6	Burner Head Assembly	1
Fig. & Index No.	Part Number	Part Name	Qty.
50	M29120	Sleeve, Axle	1
51	M23284	Cap, Fuel Tank	1
52	M18053	Screen, Filler Neck	1
53	M28140-01A	Frame, Wheel Support	1
	NTC-3C	Nut, Self-locking, 10-24 (AP)	6
	M12345-52	Screw, Oval hd., 10-24 x 3 in. (AP)	6
54	M28871A	Handle, Front	1
	NTC-3C	Nut, Self-locking, 10-24 (AP)	2
	M12345-31	Screw, Oval hd., 10-24 x 1-1/4 in. (AP)	2
	M11084-27	Screw, Hex hd., 10-12 x 1/2 in. (AP)	4
54A	M29121A	Bracket, Handle Support	2
55	M28779-01A	Outer Shell Assembly	1

Fig. & Index No.	Part Number	Part Name	Qty.
19	M3981	. Electrode	2
20	HF3-3C	. Screw, Hex hd, No. 10-32 x 3/8 in.	2
21	M3853-3	. Body, Burner	1
22	M4274	. Spring	1
23	M14969	. Nozzle	1
24	RC1-2C	. Screw, Rd hd, No. 6-32 x 1/2 in.	2
25	M3978	. Deflector, Air	1
26	69248	. Elbow	1
27	M4812-3AZ	Door, Access	1
	M11084-27	Screw, Hex hd, 10-12 x 1/2 in.	1
	M11271-6	Nut, Tinnerman	1
28	M16553	Deflector, Air	2
	M11084-2	Screw, Hex hd, 12-11 x 3/8 in. (AP)	6
29	M5895	Switch, Fan	1
	ST2-6A	Screw, Hex hd, 8 x 3/4 in. (AP)	2
	M8152	Spacer	2
30	M21905-1	Harness Assembly, Wire	1
	M3486-5	Tubing, Varnish	1
31	M10816-49	Lead Assembly, Electrode	2
	M1000576	Grommet	2
32	M14908	Fuel Line	1
33	M12461-2	Screw, Hex hd, 6-32 x 3/8 in.	2
34	M13963A	Clamp, Tube	1
35	M13962A	Tube, Photo Cell	1
36	M23609	Photo Cell	1
37	M10908-1	Screw, Hex hd, 6-32 x 1/4 in.	2
38	NPC-1C	Nut, Plain 6-32	2
39	M13961A	Bracket, Photo Cell	1
40	M3558	Nut, Wire	2
41	M28149-04	Lead wire, photo cell	1
	M1000577	Grommet	4
42	M27327-3	Transformer	1
	NPC-4C	Nut, Plain, 1/4-20 (AP)	2
	WLM-4C	Washer, Lock, 1/4 (AP)	2
43	M27789-02BA	Bracket Assembly	1
	M11084-27	Screw, Hex hd, 10-12 x 1/2 in.	7
44	M16814-3	Combustion Chamber Assy	1
	M12461-63	Screw, Hex hd, 1/4-20 x 1/2 in. (AP)	6
45	C5-10	Cotter Pin	2
46	WP-10C	Washer, Plain 5/8	4
47	M29118	Wheel	2
48	M29119	Spacer, Wheel	2
49	M29117	Axle	1
Fig. & Index No.	Part Number	Part Name	Qty.
	M11084-27	Screw, Hex hd., 10-12 x 1/2 in. (AP)	8
56	M8257	Plug, Pipe	1
57	M18919-4	Intake Tube Assembly	2
58	M28147-01BA	Fuel Tank Assembly	1
	M21692-6	Decal, Model	1
	M30853	Decal, Tradename	1
	M21699	Decal, Wiring	1
	M4950	Decal, Caution	1
	M22743	Decal, Warning	1
	M20532-1	Decal, Pump Pressure	1
	M18196	Decal, Mfg. by	1
	M22887	Decal, Nameplate and Operation Instructions	1