

v9.A draft

# Door Announcer™

## Installation and Operation Manual

Congratulations on your purchase of DesignTech's Door Announcer™. This product communicates via radio signals to a receiver in the back of your home or office to let you know when someone is entering through a particular door.

This product is quality designed, engineered and built in the USA to provide years of service.

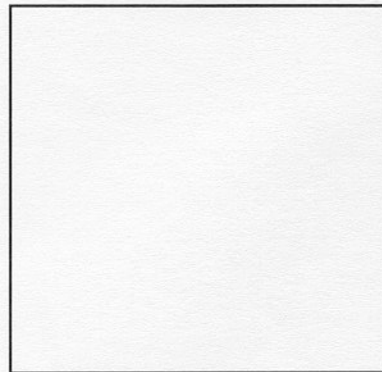
### **Door Announcer Sensor/Transmitter:**

Battery: The Door Announcer is powered by two long-life lithium battery which should last about 1 year.

Replace the battery when the unit stops transmitting.

#### Battery Installation:

1. Insert a small coin or screw driver blade into the slot at the back side of the case and twist to open the case.
2. Slide the two batteries into the battery clip with the "+" side face up.
3. Close the case back together.



### **Indoor Receiver Unit:**

Power: Plug the wall adaptor into a standard wall outlet. Plug the other end into the jack on the receiver unit.

Antenna: Plug the 8-inch white antenna into the RCA jack at the back of the receiver and turn to a vertical position.

## **Setting up the System**

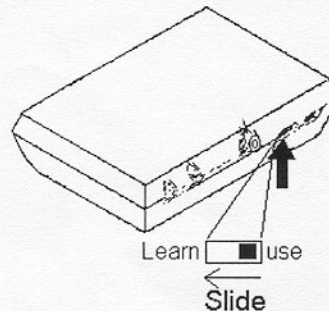
The sensor and receiver are factory set to a particular, unique code.

To test the unit. Put the sensor switch in the middle Chime mode. Move the sensor (or if attached to a door at this time -- open the door). When the door changes orientation -- i.e. closed to open -- it sends a radio signal to the receiver which sound the chime or alarm depending on the setting of the sensor.

If the receiver does not respond to the sensor, and is showing both led lights blinking quickly ever few seconds, make sure to follow the steps below:

Transmitter Code Learning (*perform only if unit does not respond*):

1. With the receiver plugged in and the red power light on, move the slide switch closest to the white antenna towards the white antenna wire. The green light will come on.
2. Move the sensor around. The receiver will chirp indicating that it has learned the code from the sensor. (This process often works best when the sensor is several feet away from the receiver.) Slide the code learning switch, away from the white antenna wire to the "use" setting. The green light will go off.



When a new sensor is taught, the previously taught ones are not erased, unless you push the 'reset' button on the top of the case while in learn mode.

The volume switch is farthest from the antenna jack. Set it toward the end of the case for low volume. Set it toward the antenna for louder volume.

**Mounting the Sensor:** Attach the Door Announcer sensor on the inside of the door using the double-stick foam tape provided or with one or two screws. The unit should be mounted vertically.

**Specifications sensor:**

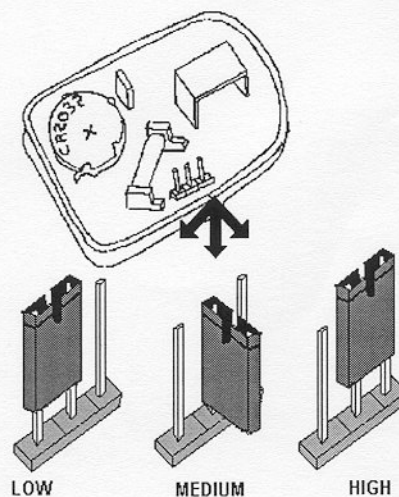
Sensor: Transmits when the door is opened or closed.  
Range: 300 feet  
Batteries: Two pieces of style2032

**Sensor modes:**

The sensor has 3 modes. Off, Chime and Alarm. The most common mode is Chime. Whenever the door is opened - the unit will chime. The receiver will also chime. In the Alarm mode -- the unit will sound an alarm for 60 seconds - and so will the receiver. In Off mode - the sensor will remain quite - but the receiver will go into alarm mode. (To silence the receiver, you must disconnect the power jack.)

**Sensitivity Settings:**

The sensor comes factory set to the 'medium' setting. This setting controls the amount of movement that is required to activate the sensor. In most cases, this setting does not need to be changed. However, you can change this setting to 'low' or 'high' by moving the jumper connection inside the sensor/transmitter. If you get false activations occasionally, you may want to change the setting to 'low'. If you open the door and the unit sometimes does not activate, change the sensitivity to 'high'. Use the diagram below to adjust the setting.



**Optional Accessories:**

DesignTech makes a line of other sensors which can be used with your receiver system. **Motion Alert™** is similar to Mail Alert™-- but it is designed to detect movement of anything that the unit is attached to such as a back yard gate, a tool shed door, a garage door or anything that can be moved. Double stick tape this to the item and you will know when it moves.

**Driveway Monitor™** can be inserted into the ground next to your driveway and will detect a moving vehicle and alert you with a signal to your home.

The receiver emits different tones to distinguish between Mail Alert™, Motion Alert™, and Driveway Monitor. You can have several of each sensor set up to work with one receiver in the home. You can even have several receivers set to work with one or more sensors. Contact your local retailer or DesignTech for your nearest distributor.

<u>ITEM</u>	<u>Part #</u>	<u>Price</u>
Motion Alert™ Sensor/Transmitter	30060	\$44.95
Driveway Monitor™ Sensor/Transmitter	30070	\$129.95
Signal Siren	30319	\$9.95

All prices include shipping and handling in US Dollars.

This device complies with FCC Rules Part 15. Operation is subject to two conditions:  
1) This device may not cause harmful interference, and 2) it must accept any interference received, including that which may cause undesirable operation.

FCC ID: ELGDOOR 3 ELGHOME  
DOC CANADA

User is cautioned that changes or modifications not expressly approved by DesignTech could void the user's authority to operate this equipment.

Covered under US Patent #s 4,851,775 & 5,239,264



7955 Cameron Brown Ct. • Springfield, Virginia 22153 USA  
Tel: (703) 866-2000 or (800) 337-4468  
<http://www.designtech-intl.com>

