

*Detex Works Here.*



**Life Safety, Security Door Hardware,  
Integrated Door Security Systems**

**and**

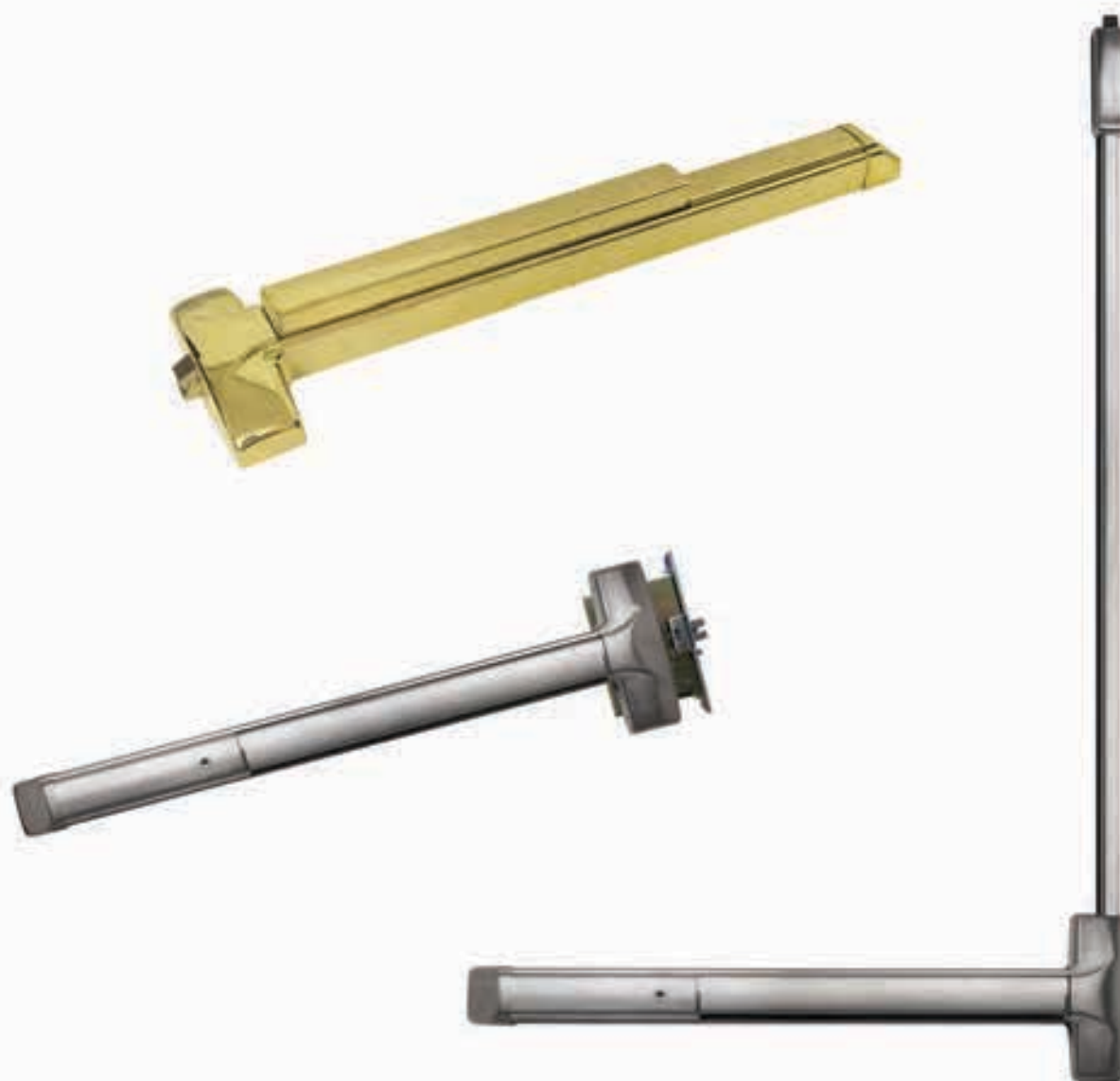
**Security Assurance**

*Where Trust is Built™*

**DETEX®**

*Life Safety, Security and Security Assurance*

***Life Safety  
and  
Security Door Hardware***





# General Information

## Advantex® Performance Specification

### General

---

All exit devices shall be Advantex® 10 or 40 series rim devices or 20/21 or 50/51 series surface vertical rod devices as manufactured by Detex Corporation, New Braunfels, TX, USA. Each exit device shall be equipped and installed with a patented mounting plate and strike locator for an accurate installation. All wide and narrow stile devices shall be available with matching outside trim and where required, available with electrified options. All exit devices shall be reversible or non-handed and all non-electrified exit devices will be field sizeable.

### Code Compliance

---

The exit devices shall be listed by Underwriters Laboratories and bear the UL label for panic hardware in compliance with NFPA 80 and 101. Where required, all devices shall have a UL label for Fire Exit Devices listed for use on fire rated doors up to and including A label, three hours. UL labeled Fire Exit Devices shall be listed for door opening sizes up to 8'0" x 10'0" in standard pairs and in double egress pairs, with Surface Vertical Rods and with Top Rod Only. Rim mounted, UL labeled Fire Exit Devices shall be listed for door openings sizes up to 4'0" x 10'0" on single doors and 8'0" x 8'0" on door pairs with an F90KR Keyed Removable Mullion.

Where required, all rim devices shall have a Miami-Dade County, Florida label indicating hurricane listing.

All exit devices shall be certified to meet ANSI/BHMA A156.3, Grade 1 requirements, and conform to ADA and California Title 19 requirements.

### Design

---

All exit devices shall be of super heavy duty design and constructed of stainless steel covers and wraps over a structurally engineered extruded aluminum body. The end cap shall be constructed of 14 gauge deep drawn stainless steel and designed with a tapered angle of 50 degrees to deflect damage away from the device. All end caps shall include the Quad-lock structural design that incorporates 16 separate bearing surfaces on four different planes, securely interlocking the end cap to the exit device and door. All exit devices shall be designed with internally ribbed aluminum extrusion rails and base plate mounted push pads to dissipate excessive force to the push pad and prevent damage to the operating mechanisms.

All latch bolts shall be stainless steel material with a deadlocking feature for increased security. Surface vertical rod devices shall have pullman type top deadlocking latch bolts. The bottom rod shall have a solid steel deadlocking drop bolt. All surface vertical rod devices shall be supplied standard with rod covers and ADA-compliant bottom latch guards. All surface vertical rods shall be available in a top rod only configuration to meet all necessary code compliance for panic and fire exit hardware.

Hex key dogging shall be a standard feature for all non-fire rated exit devices. Optional features include cylinder dogging or less dogging. All dogging will be accomplished with no more than a one-eighth turn of the hex key or cylinder key to minimize the risk of repetitive motion injuries. Fire rated exit devices are required to have less dogging.

The through-bolted modular design of all exit devices shall accommodate a variety of different trims and functions without altering the exit device. It shall not be necessary to remove the device from the door for keying changes or standard maintenance. All standard stile outside lever trims shall be provided with vandal-resistant clutching levers.

### Options

---

Optional slide in filler plates shall be available for all exit devices to accommodate optional dogging types, alarm and other electrified features.

Optional mounting plates will allow for retrofit over other manufacturers' mounting holes when doors are not being replaced.

### Warranty

---

Detex Advantex panic hardware, when properly installed, used and maintained, is warranted to be free of defects in material and workmanship. We will, for a period of ten (10) years from the date of purchase, repair or replace any part which, upon our examination, proves to be defective under normal use. Electrical components, when properly installed, used and maintained, are warranted to be free of defects in material and workmanship for a period of three (3) year. This warranty will be honored only upon presentation of proof that the product covered thereby was purchased directly from an authorized Detex distributor. We shall not be liable for any direct, incidental or consequential loss or damage arising out of the failure of this panic hardware to operate.

**Finishes**

---

Detex is the first manufacturer of architectural exit devices to utilize the most sophisticated process of finishing on stainless steel. Exclusive to Detex, the Physical Vapor Deposition (PVD) coating will not corrode, fade, chip or discolor. It is more resistant to scratching than traditional finishes and all of these features make it ideal for your very toughest locations.

**Detex & BHMA Finish Numbers**

---

<u>Finish</u>	<u>Description</u>	<u>US Standard</u>
605 - PVD Equivalent	Polished Brass	US3
606 - PVD Equivalent	Brushed Brass	US4
611 - PVD Equivalent	Polished Bronze	US9
612 - PVD Equivalent	Brushed Bronze	US10
613 - PVD Equivalent	Oil Rubbed Bronze	US10B
625	Polished Chrome	US26
626	Brushed Chrome	US26D
629	Polished Stainless Steel	US32
630	Brushed Stainless Steel	US32D

All device finishes are over Stainless Steel.  
Some outside trims are not available in stainless steel finish and will be provided in Brushed Chrome.

Split finishes, where the outside trim is different from the device, are available. List the outside trim finish first, followed by the device finish.

**How to Care for Finishes**

---

Most PVD finished devices should be cleaned with a soft cloth and glass cleaner. Do not use any type of steel wool, cleansing pad, scotch pad, foaming cleanser or any other type of cleansing product.

The 613 PVD finish has a coating that does not show fingerprints so cleaning should rarely be required. To restore the warmth of the color use a mild furniture polish, preferable a paste to bring back the depth of the color.

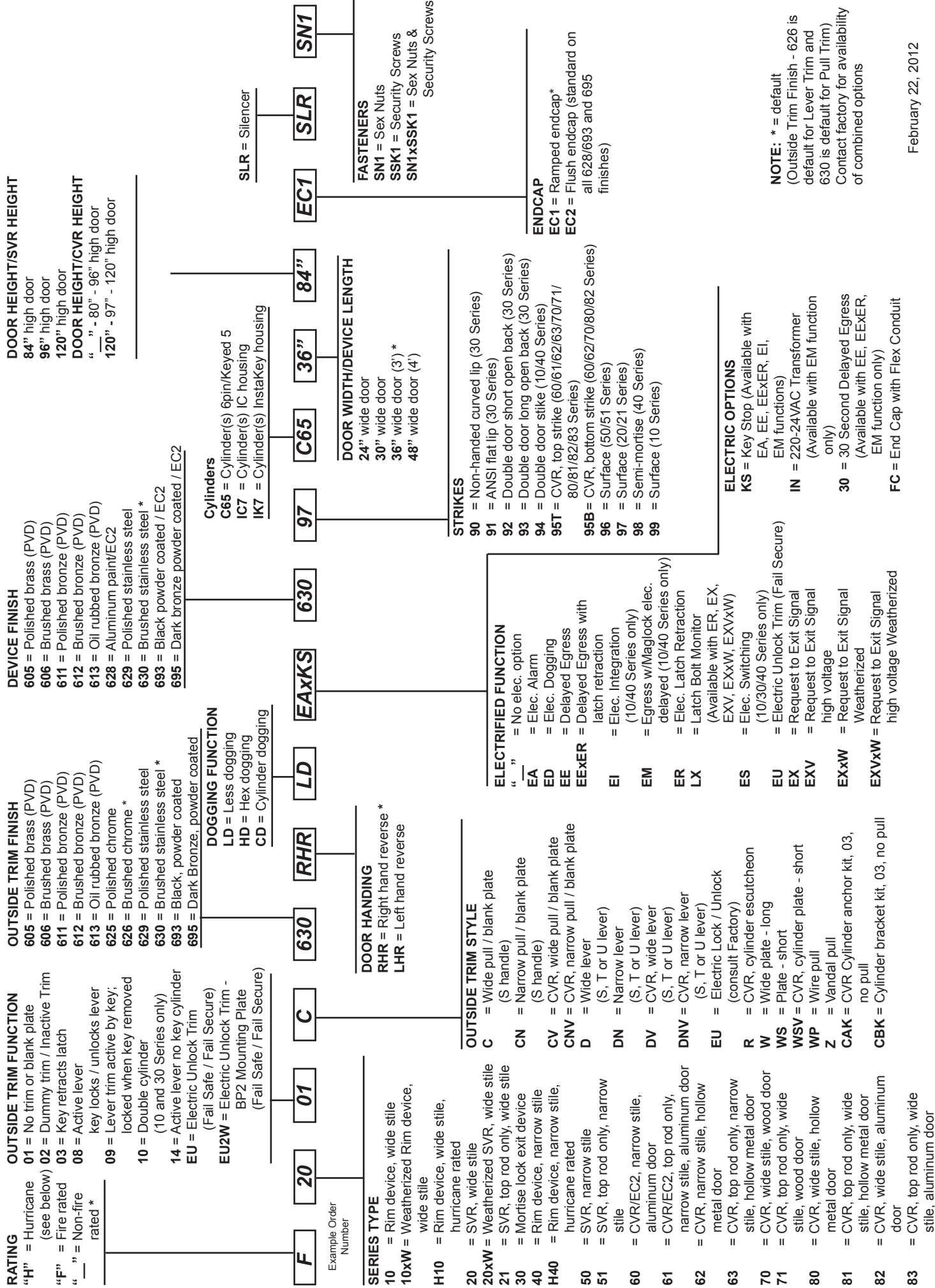
Brushed Stainless Steel (630/US32D) should be kept away from contact with other metals. It should be cleaned with a plastic pad or bronze wool. Avoid all solvents, bleach and steel wool.

**Detex<sup>®</sup> Template Policy**

---

Detex offers panic device template data on our website at [www.detex.com](http://www.detex.com). These templates are for reference purposes. We recommend cutting doors for our panic devices using the patented mounting plate and strike locator packed with each of our units. Using this mounting system to cut doors after they are hung yields a precise installation based upon the exact door to frame, and door to mullion condition at each opening.

The on-site cutting of doors for our products is made simple and practical by the fact that our devices require only simple through the door holes of standard drill bit sizes. This procedure actually reduces the installation time otherwise required to apply shims and/or relocate pre-cut holes due to door and frame installation problems.





## Exit Device Types

**10 Series** - Wide Stile Rim Device

**10xW Series** - Weatherized Wide Stile Rim Device

**20 Series** - Wide Stile Surface Vertical Rod

**20xW Series** - Weatherized Wide Stile Surface Vertical Rod

**21 Series** - Wide Stile Surface Vertical Rod - Top Rod Only

**30 Series** - Mortise Lock Exit Device

**40 Series** - Narrow Stile Rim Device

**50 Series** - Narrow Stile Surface Vertical Rod

**51 Series** - Narrow Stile Surface Vertical Rod - Top Rod Only

**60 Series** - Narrow Stile Concealed Vertical Rod for Aluminum Doors

**61 Series** - Narrow Stile Concealed Vertical Rod for Aluminum Doors - Top Rod Only

**62 Series** - Narrow Stile Concealed Vertical Rod for Hollow Metal Doors

**63 Series** - Narrow Stile Concealed Vertical Rod for Hollow Metal Doors - Top Rod Only

**70 Series** - Wide Stile Concealed Vertical Rod for Wood Doors

**71 Series** - Wide Stile Concealed Vertical Rod for Wood Doors - Top Rod Only

**80 Series** - Wide Stile Concealed Vertical Rod for Hollow Metal Doors

**81 Series** - Wide Stile Concealed Vertical Rod for Hollow Metal Doors - Top Rod Only

**82 Series** - Wide Stile Concealed Vertical Rod for Aluminum Doors

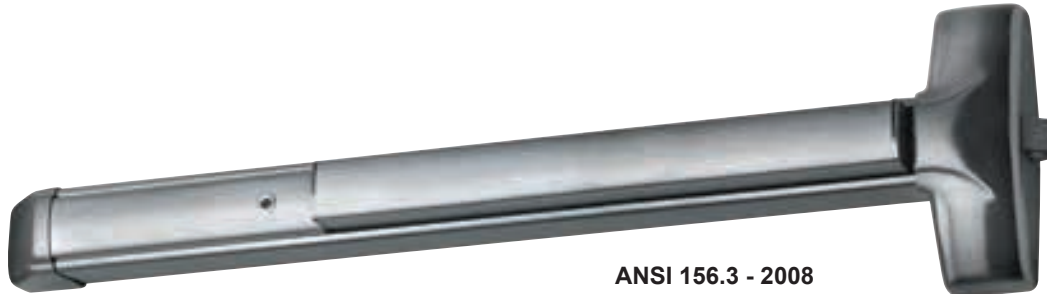
**83 Series** - Wide Stile Concealed Vertical Rod for Aluminum Doors - Top Rod Only



## 10 SERIES

### Rim Exit Device

The 10 Series **rim exit device** is super-heavy-duty panic and **fire exit hardware** for use on all types of single and double doors with mullions. The patented mounting plate and strike locator system ensures the easiest and most accurate installation of panic hardware available.



ANSI 156.3 - 2008  
Grade 1  
Type 1

#### Benefits

- Tough and durable design for years of trouble-free service in high-use, high-abuse environments
- Fast and accurate installation
- Minimal door prep saves time and money
- Outside trims are easily changed or re-keyed without removing device from door

#### Features

- Patented mounting plate and strike locator system replaces paper templates
- Tested beyond 1,000,000 cycles - Twice the cycling required for Grade 1 UL testing
- Heavy-duty angled end-cap deflects damage away from device
- Stainless steel deadlocking, Pullman-type latch bolt
- All exposed surfaces are finished over stainless steel with PVD, an environmentally-friendly finishing process
- Non-handed
- Field sizeable
- 1/8 turn hex or cylinder dogging

#### Mechanical Options

- F - 3-Hour Fire Rated
- H - Hurricane Rated
- BP-3 Mounting plate (call factory for retrofit information)
- BP-5 Mounting Plate (call factory for retrofit information)
- SLR - Silencer
- CD - Cylinder Dogging
- HD - Hex Dogging (Std.)
- LD - Less Dogging
- 99 - Surface Strike (Std.)
- 98 - Semi Mortise Strike
- 36 - Fits 36" Door Width (Std.)
- 48 - Fits 48" Door Width

#### Electrical Options

- Exit Alarm (EA)
  - Electric Dogging (ED)
  - Electric Integration (EI)
  - Electric Latch Retraction (ER)
  - Delayed Egress - Self Contained (EE)
  - Delayed Egress with Latch Retraction (EEExER)
  - Delayed Egress - Mag Lock (EM)
  - Electric Unlock (EU)
  - Latch Bolt Signaling (LX)
  - Latch Bolt Signaling for High Voltage (LXV)
  - Electric Switching (ES)
  - Request to Exit (EX)
  - Request to Exit for High Voltage (EXV)
  - Request to Exit Weatherized (EXxW)
  - Request to Exit Weatherized for High Voltage (EXVxW)
- Refer to Electrified Options section for more information



## Accessories

- GB1 - Glass Bead Kit
- SN1 - Sex Nut Kit (2 per package)
- SSK - Security Torx Screw Kit
- Trim Functions (see Outside Trims)
- Electrified Options (see Electrified Options)

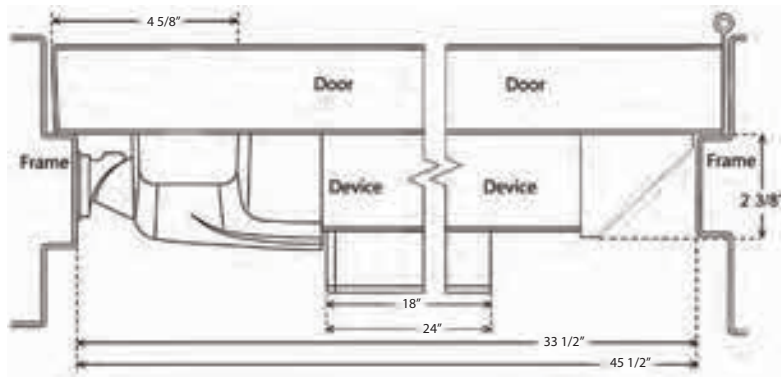
## Technical Information

- Door Types - Wood, Hollow Metal, Fiberglass or Aluminum
- Door Thickness - Fits standard 1-3/4" - 2-1/4" doors (for other door thicknesses contact factory)
- Minimum Stile - 4-5/8" with standard 99 strike; 4-1/8" with optional 98 strike
- Fasteners - Machine and Self-Drilling Screws standard

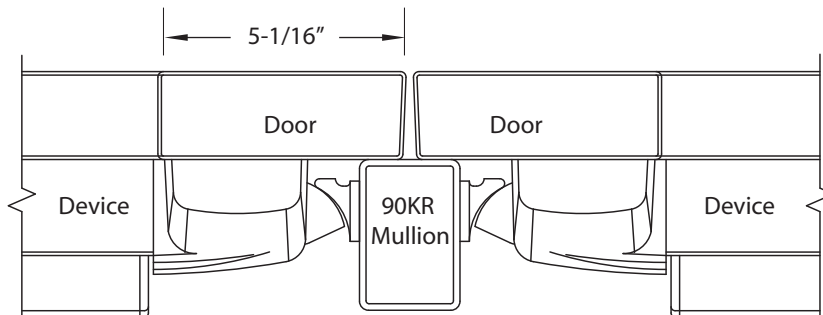
## Finishes

605 / US3	Polished Brass	628 / US28	Aluminum Satin	693 / SPBLK	Black, Painted
606 / US4	Brushed Brass	629 / US32	Polished Stainless Steel	695 / SP 313	Dark Bronze, Painted
611 / US9	Polished Bronze				
612 / US10	Brushed Bronze	630 / US32D	Brushed Stainless Steel		
613 / US10B	Oil Rubbed Bronze				

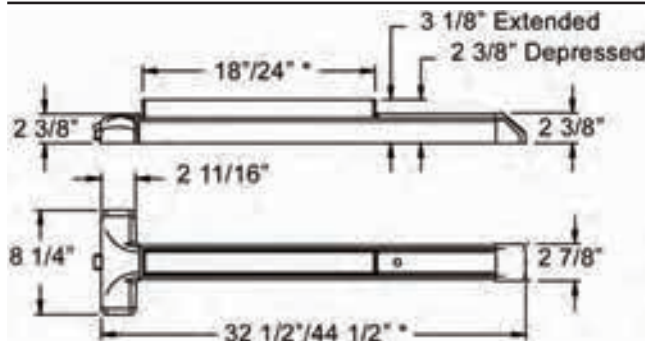
## Single Door



## Double Door with 90KR Mullion



## Dimensions



\* 18" and 32 1/2" dimension for 36" door

\* 24" and 44 1/2" dimension for 48" door

## Listings and Approvals

- UL LISTED UL Listed Panic Hardware
- UL LISTED UL Listed Fire Exit Hardware for 3 hours, maximum
- UL LISTED 4'x10' single doors and pairs of 4'x8' with F90KR key removable Mullion
- Meets ADA requirements
- UBC 97, Standard 7-2 and UL10C for positive pressure
- BHMA CERTIFIED ANSI/BHMA certified A156.3
- NFPA Meets NFPA 80 & 101 for Life Safety
- MIAMI-DADE COUNTY Meets Miami-Dade County, Florida NOA 10-0303.02 EXP. 04/07/15
- State of Florida Approval FL9052
- California State Fire Marshall - 4140-0127:105 and 3725-0127:108

## Detex Limited Warranty

10 Year Mechanical/3 year Electrical Limited Manufacturers Warranty

Where Trust is Built™  
**DETEX**®  
 Life Safety and Security Door Hardware

Detex Corporation  
 302 Detex Drive  
 New Braunfels, Texas 78130-3045 USA  
 PH. (830) 629-2900  
 (800) 729-3839  
 FAX (830) 620-6711  
 (800) 653-3839  
<http://www.detex.com>  
 USA Sales:  
[marketing@detex.com](mailto:marketing@detex.com)  
 International Sales:  
[export@detex.com](mailto:export@detex.com)

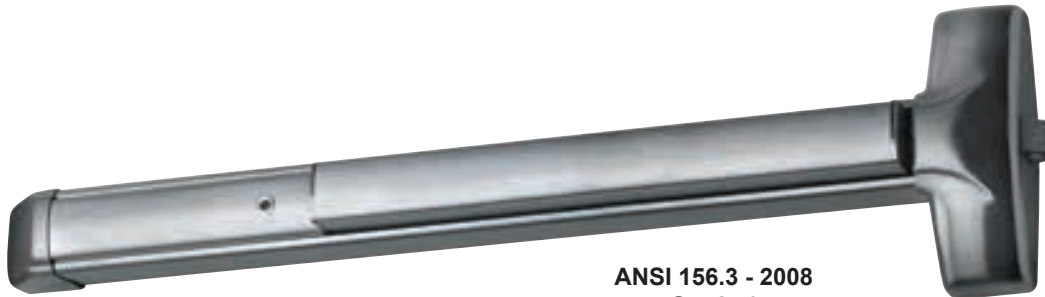




## 10xW SERIES

### Weatherized Rim Exit Device

The 10xW Series **weatherized rim exit device** is super-heavy-duty **panic** and **fire exit hardware** for use on all types of single doors and gates and double doors and gates with mullions that are or may be exposed directly to the weather. The patented mounting plate and strike locator system ensures the easiest and most accurate installation of panic hardware available. In addition to listing as UL panic and fire exit hardware device, this device conforms to UL1034-34 Temperature Section 34, UL1034-54 Dust Section 54, MIL-STD 810F, Method 506.4 (driving rain test); MIL-STD 810F, Method 509.4 (salt fog test) and UBC standard 7-2 (positive pressure).



ANSI 156.3 - 2008  
Grade 1  
Type 1



#### Benefits

- Tough and durable design for years of trouble-free service in high-use, high-abuse or inclement weather environments
- Fast and accurate installation
- Minimal door prep saves time and money
- Outside trims are easily changed or re-keyed without removing device from door

#### Features

- Patented mounting plate and strike locator system replaces paper templates
- Tested beyond 1,000,000 cycles - Twice the cycling required for Grade 1 UL testing
- Heavy-duty angled end-cap deflects damage away from device
- Stainless steel deadlocking, Pullman-type latch bolt
- All exposed surfaces are finished over stainless steel with PVD, an environmentally-friendly finishing process
- Non-handed
- Field sizeable
- 1/8 turn hex or cylinder dogging

#### Mechanical Options

- F - 3-Hour Fire Rated
- CD - Cylinder Dogging
- 99 - Surface Strike (Std.)
- H - Hurricane Rated
- HD - Hex Dogging (Std.)
- 98 - Semi Mortise Strike
- BP-3 Mounting plate (call factory for retrofit information)
- LD - Less Dogging
- 36 - Fits 36" Door Width (Std.)
- BP-5 Mounting Plate (call factory for retrofit information)
- 48 - Fits 48" Door Width

#### Electrical Options

- Electric Unlock (EU)
- Request to Exit Weatherized for High Voltage (EXVxW)
- Refer to Electrified Options section for more information
- Request to Exit Weatherized (EXxW)

## Accessories

- GB1 - Glass Bead Kit
- SN1 - Sex Nut Kit (2 per package)
- SSK - Security Torx Screw Kit
- Trim Functions (see Outside Trims)
- GTPLV40 - Adjustable Gate Plate
- Electrified Options (see Electrified Options)

## Technical Information

- Door Types - Wood, Hollow Metal, Fiberglass or Aluminum
- Door Thickness - Fits standard 1-3/4" - 2-1/4" doors (for other door thicknesses contact factory)
- Minimum Stile - 4-5/8" with standard 99 strike; 4-1/8" with optional 98 strike
- Fasteners - Machine and Self-Drilling Screws standard
- Recommended Plate Size  
Gate - 1/8" thick plate, galvanized, or painted steel or 1/4" thick aluminum plate, minimum Height - 10"

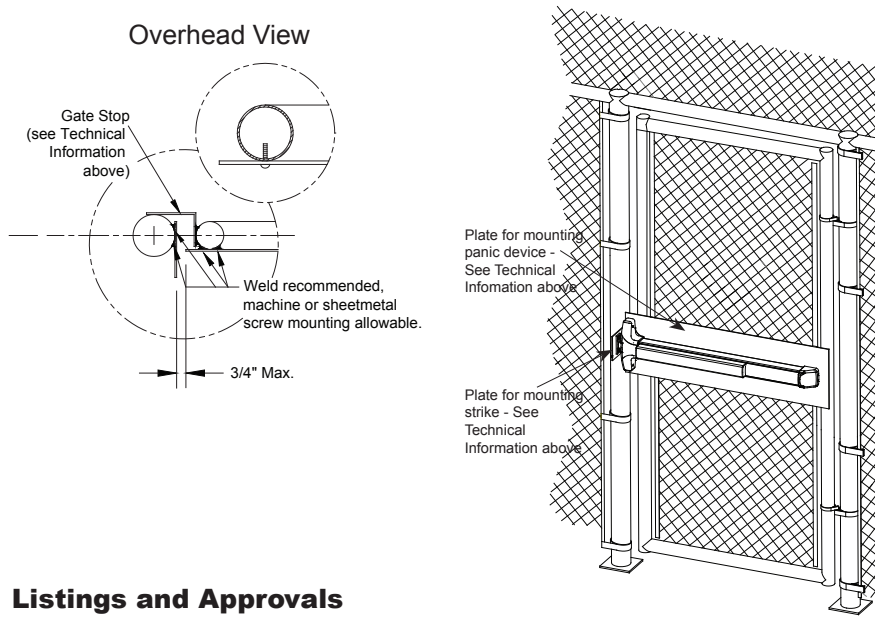
Strike - 1/8" thick plated, galvanized, painted steel plate, angle iron, or 1/4" thick aluminum plate, minimum Height - 5"

Stop - 1/8" thick plated, galvanized, or painted angle iron or 1/4" thick aluminum angle plate, minimum Height - 2"

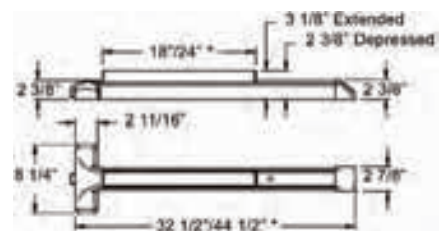
## Finishes

605 / US3	Polished Brass	612 / US10	Brushed Bronze	630 / US32D	Brushed Stainless Steel
606 / US4	Brushed Brass	613 / US10B	Oil Rubbed Bronze	693 / SPBLK	Black, Painted
611 / US9	Polished Bronze	628 / US28	Aluminum Satin	695 / SP 313	Dark Bronze, Painted
		629 / US32	Polished Stainless Steel		

## Single Gate



## Dimensions



\* 18" and 32 1/2" dimension for 36" door

\* 24" and 44 1/2" dimension for 48" door

## Detex Limited Warranty

10 Year Mechanical/3 year Electrical Limited Manufacturers Warranty

## Listings and Approvals

- UL Listed Panic Hardware
- UL Listed Fire Exit Hardware for 3 hours, maximum
- 4'x10' single doors and pairs of 4'x8' with F90KR key removable Mullion
- UL1034 - 34 Temperature Section 34 [Temperature Range -31° F (-35° C) to 150° F (+66° C)]
- UL1034 - 54 Dust Section 54
- Meets ADA requirements
- UBC 97, Standard 7-2 and UL10C for positive pressure

ANSI/BHMA certified A156.3

Meets NFPA 80 & 101 for Life Safety

Miami-Dade County, Florida  
NOA 10-0303.02 EXP. 04/07/15  
State of Florida Approval  
FL9052

California State Fire Marshall -  
4140-0127:105 and  
3725-0127:108

MIL-STD 810F (G), Method 509.4 (Salt Fog Test)

MIL-STD 810F (G), Method 506.4 (Driving Rain), Procedure 1

Where Trust is Built™  
**DETEX**®  
Life Safety and Security Door Hardware

Detex Corporation  
302 Detex Drive  
New Braunfels, Texas 78130-3045 USA  
PH. (830) 629-2900  
(800) 729-3839  
FAX (830) 620-6711  
(800) 653-3839  
<http://www.detex.com>  
USA Sales:  
[marketing@detex.com](mailto:marketing@detex.com)  
International Sales:  
[export@detex.com](mailto:export@detex.com)



## 20 SERIES

### Surface Vertical Rod Device

The 20 Series **surface vertical rod exit device** is super-heavy-duty **panic and fire exit hardware** for use on all types of double doors without a mullion. All 20 series SVR exit devices are supplied with top and bottom rod covers and an ADA compliant ramped bottom bolt cover. The patented mounting plate and strike locator system ensures the easiest and most accurate installation of panic hardware available.



**ANSI 156.3 - 2008  
Grade 1  
Type 2**

#### Benefits

- Tough and durable design for years of trouble-free service in high-use, high-abuse environments
- Fast and accurate installation
- Minimal door prep saves time and money
- Outside trims are easily changed or rekeyed without removing device from door
- Security enhanced by stainless steel rod covers, standard

#### Features

- Patented mounting plate and strike locator system replaces paper templates
- Stainless steel deadlocking, Pullman-type top latch
- Hardened steel bottom drop bolt with dust proof strike
- ADA ramped bottom bolt cover
- 1/8 turn hex or cylinder dogging
- All exposed surfaces are finished over stainless steel with PVD, an environmentally friendly finishing process
- Heavy-duty angled end-cap deflects damage away from device
- Handed - field reversible
- Field sizeable

#### Mechanical Options

- F - 3-Hour Fire Rated
- HD - Hex Dogging (Std.)
- CD - Cylinder Dogging
- LD - Less Dogging
- 36 - Fits 36" Door Widths (Std.)
- 48 - Fits 48" Door Widths
- 84 - 84" Door Height (Std.)
- 96 - 85" to 96" Door Height
- 120 - 97" to 120" Door Height

#### Electrical Options

- Exit Alarm (EA)
- Electric Dogging (ED)
- Electric Integration (EI)
- Electric Latch Retraction (ER)
- Delayed Egress - Self Contained (EE)
- Delayed Egress with Latch Retraction (EEExER)
- Electric Unlock (EU)
- Request to Exit (EX)
- Request to Exit for High Voltage (EXV)
- Request to Exit Weatherized (EXxW)
- Request to Exit Weatherized for High Voltage (EXVxW)

Refer to Electrified Options section for more information



## Accessories

- GB3 - Glass Bead Kit - 7' Door Height (84")
- GB7 - Glass Bead Kit - 8' Door Height (85" - 96")
- GB11 - Glass Bead Kit - 10' Door Height (97" - 120")
- SN1 - Sex Nut Kit (2 per package)
- SSK- Security Torx Screw Kit
- Trim Functions (see Outside Trims)
- Electrified Options (see Electrified Options)

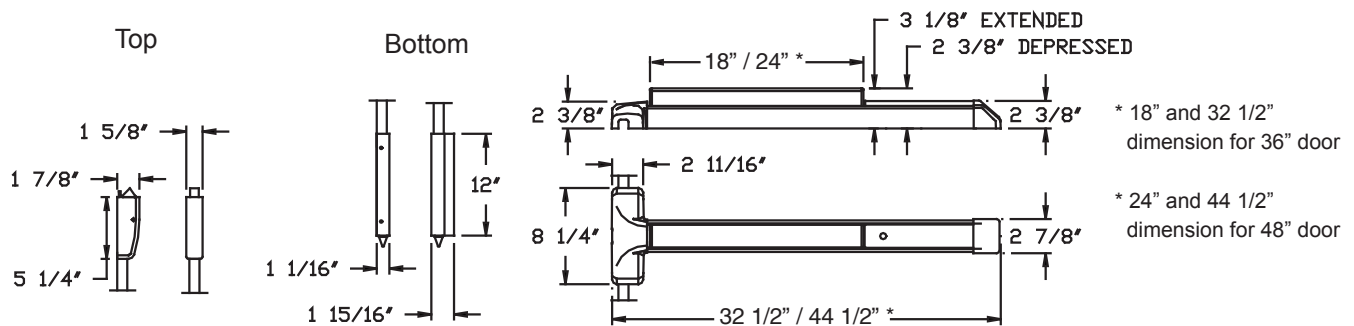
## Technical Information

- Door Types - Wood, Hollow Metal, Fiberglass or Aluminum
- Door Thickness - Fits standard 1-3/4" - 2-1/4" doors (for other door thicknesses contact factory)
- Minimum Stile - 4-1/2" with standard 97 strike
- Fasteners - Machine and Self-Drilling Screws standard

## Finishes

605 / US3	Polished Brass	628 / US28	Aluminum Satin	693 / SPBLK	Black, Painted
606 / US4	Brushed Brass	629 / US32	Polished Stainless Steel	695 / SP 313	Dark Bronze, Painted
611 / US9	Polished Bronze				
612 / US10	Brushed Bronze	630 / US32D	Brushed Stainless Steel		
613 / US10B	Oil Rubbed Bronze				

## Dimensions



## Listings and Approvals



UL Listed  
Panic Hardware

LISTED



UL Listed Fire Exit Hardware  
for 3 hours, maximum  
4'x10' single doors and  
8'x10' pairs of doors



Meets ADA requirements



UL Listed Fire Exit Hardware  
for 3 hours, maximum  
4'x10' single doors and  
8'x10' pairs of doors



ANSI/BHMA certified A156.3



Meets NFPA 80 & 101  
for Life Safety



California State Fire Marshal -  
4140-0127:105 and  
3725-0127:108

## Detex Limited Warranty

10 Year Mechanical/3 year Electrical  
Limited Manufacturers Warranty

*Where Trust is Built™*  
**DETEX®**  
*Life Safety and Security Door Hardware*

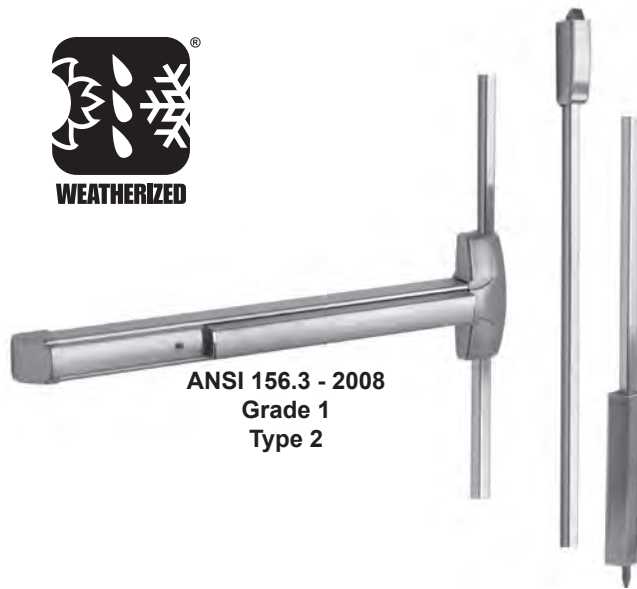
Detex Corporation  
 302 Detex Drive  
 New Braunfels, Texas 78130-3045 USA  
 PH. (830) 629-2900  
 (800) 729-3839  
 FAX (830) 620-6711  
 (800) 653-3839  
<http://www.detex.com>  
 USA Sales:  
[marketing@detex.com](mailto:marketing@detex.com)  
 International Sales:  
[export@detex.com](mailto:export@detex.com)



## 20 x W SERIES

### Weatherized Surface Vertical Rod Device

The 20 x W Series **surface vertical rod exit device** is super-heavy-duty **panic and fire exit hardware** for use on all types of double doors or gates without a mullion that are or may be exposed directly to the weather. All 20 series SVR exit devices are supplied with top and bottom rod covers and an ADA compliant ramped bottom bolt cover. The patented mounting plate and strike locator system ensures the easiest and most accurate installation of panic hardware available. In addition to listing as UL panic and fire exit hardware device, this device conforms to UL1034-34 Temperature Section 34, UL1034-54 Dust Section 54, MIL-STD 810F, Method 506.4 (driving rain test); MIL-STD 810F, Method 509.4 (salt fog test) and UBC standard 7-2 (positive pressure).



#### Benefits

- Tough and durable design for years of trouble-free service in high-use, high-abuse or inclement weather environments
- Fast and accurate installation
- Minimal door prep saves time and money
- Outside trims are easily changed or rekeyed without removing device from door
- Security enhanced by stainless steel rod covers, standard

#### Features

- Patented mounting plate and strike locator system replaces paper templates
- Stainless steel deadlocking, Pullman-type top latch
- Hardened steel bottom drop bolt with dust proof strike
- ADA ramped bottom bolt cover
- 1/8 turn hex or cylinder dogging
- All exposed surfaces are finished over stainless steel with PVD, an environmentally friendly finishing process
- Heavy-duty angled end-cap deflects damage away from device
- Handed - field reversible
- Field sizeable

#### Mechanical Options

- F - 3-Hour Fire Rated
- HD - Hex Dogging (Std.)
- CD - Cylinder Dogging
- LD - Less Dogging
- 36 - Fits 36" Door Widths (Std.)
- 48 - Fits 48" Door Widths
- 84 - 84" Door Height (Std.)
- 96 - 85" to 96" Door Height
- 120 - 97" to 120" Door Height

#### Electrical Options

- Electric Unlock (EU)
  - Request to Exit Weatherized (EXxW)
  - Request to Exit Weatherized for High Voltage (EXVxW)
- Refer to Electrified Options section for more information

#### Accessories

- GB3 - Glass Bead Kit - 7' Door Height (84")
- GB7 - Glass Bead Kit - 8' Door Height (85" - 96")
- GB11 - Glass Bead Kit - 10' Door Height (97" - 120")
- SN1 - Sex Nut Kit (2 per package)



## Accessories Cont'd

- SSK- Security Torx Screw Kit
- Trim Functions (see Outside Trims)
- Electrified Options (see Electrified Options)
- GTPLV40 - Adjustable Gate Plate

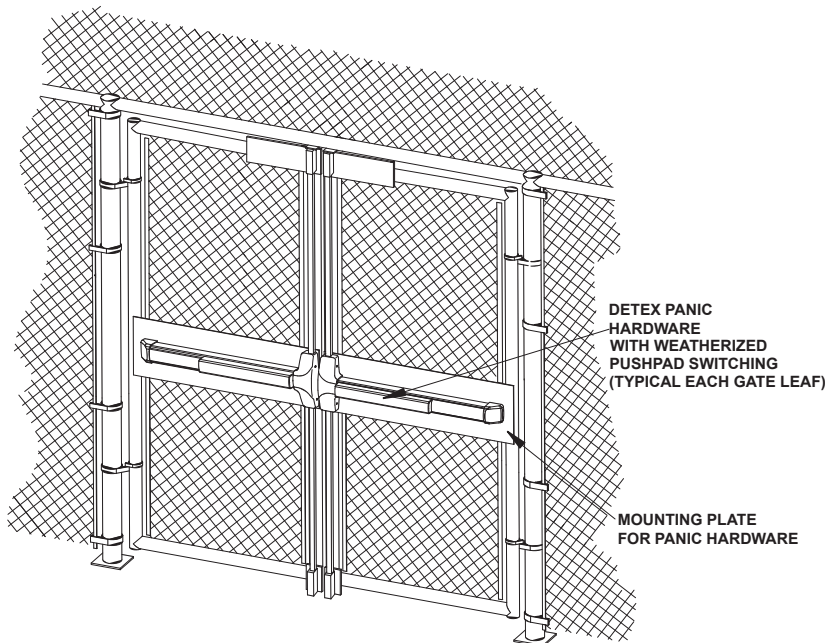
## Technical Information

- Door Types - Wood, Hollow Metal, Fiberglass or Aluminum
- Door Thickness - Fits standard 1-3/4" - 2-1/4" doors (for other door thicknesses contact factory)
- Minimum Stile - 4-1/2" with standard 97 strike
- Fasteners - Machine and Self-Drilling Screws standard
- Recommended Plate Size
  - Gate - 1/8" thick plate, galvanized, or painted steel or 1/4" thick aluminum plate, minimum Height - 10"
  - Strike - 1/8" thick plated, galvanized, painted steel plate, angle iron, or 1/4" thick aluminum plate, minimum Height - 5"
  - Stop - 1/8" thick plated, galvanized, or painted angle iron or 1/4" thick aluminum angle plate, minimum Height - 2"

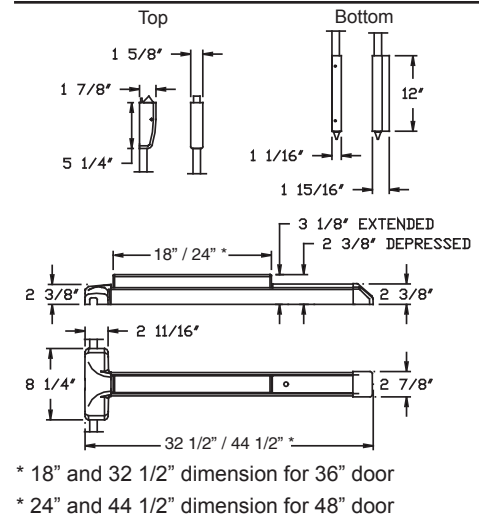
## Finishes

605 / US3	Polished Brass	613 / US10B	Oil Rubbed Bronze	630 / US32D	Brushed Stainless Steel
606 / US4	Brushed Brass	628 / US28	Aluminum Satin	693 / SPBLK	Black, Painted
611 / US9	Polished Bronze	629 / US32	Polished Stainless Steel	695 / SP 313	Dark Bronze, Painted
612 / US10	Brushed Bronze				

## Double Gate Riser



## Dimensions



## Detex Limited Warranty

10 Year Mechanical/3 year Electrical Limited Manufacturers Warranty

## Listings and Approvals



UL Listed  
Panic Hardware



UL Listed Fire Exit Hardware  
for 3 hours, maximum  
4'x10' single doors and  
8'x10' pairs of doors

UL1034-34 Temperature Section 34  
[Temperature Range -31° F (-35° C) to  
150° F (+66° C)]

UL1054-54 Temperature Section 54



Meets ADA requirements



ANSI/BHMA certified A156.3



ULC 97, Standard 7-2 and  
UL10C for positive pressure



Meets NFPA 80 & 101  
for Life Safety



California State Fire Marshall -  
4140-0127:105 and  
3725-0127:108

MIL-STD 810F (G), Method 509.4  
(Salt Fog Test)

MIL-STD 810F (G), Method 506.4  
(Driving Rain), Procedure 1

Where Trust is Built™

**DETEX**®  
Life Safety and Security Door Hardware

Detex Corporation  
302 Detex Drive  
New Braunfels, Texas 78130-3045 USA

PH. (830) 629-2900

(800) 729-3839

FAX (830) 620-6711

(800) 653-3839

<http://www.detex.com>

USA Sales:

[marketing@detex.com](mailto:marketing@detex.com)

International Sales:

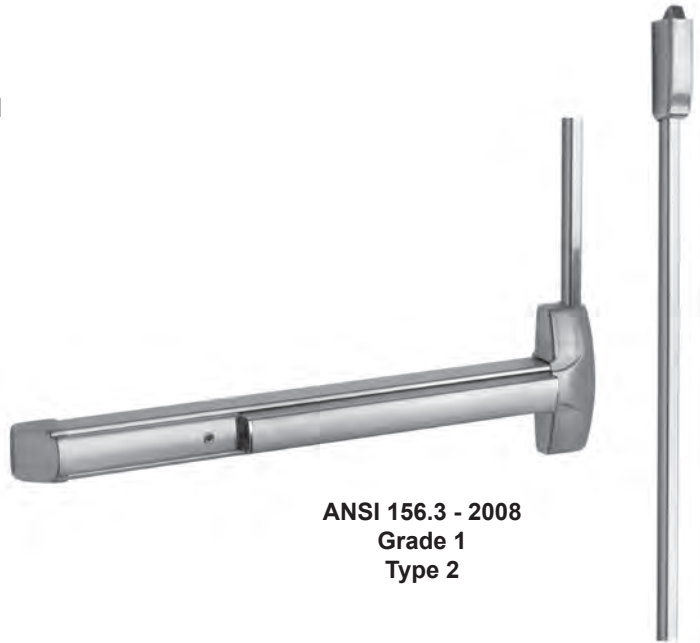
[export@detex.com](mailto:export@detex.com)



## 21 SERIES

### Surface Vertical Top Rod Only Device

The 21 Series **surface vertical rod exit device** is super-heavy-duty **panic** and **fire exit hardware** for use on all types of double doors without a mullion. All 21 Series Top Rod Only exit devices are supplied with rod cover. The patented mounting plate and strike locator system ensures the easiest and most accurate installation of panic hardware available.



**ANSI 156.3 - 2008  
Grade 1  
Type 2**

#### Benefits

- Tough and durable design for years of trouble-free service in high-use, high-abuse environments
- Fast and accurate installation
- Minimal door prep saves time and money
- Outside trims are easily changed or rekeyed without removing device from door
- Security enhanced by stainless steel rod covers, standard

#### Features

- Patented mounting plate and strike locator system replaces paper templates
- Stainless steel deadlocking, Pullman-type top latch
- 1/8 turn hex or cylinder dogging
- All exposed surfaces are finished over stainless steel with PVD, an environmentally friendly finishing process
- Heavy-duty angled end-cap deflects damage away from device
- Handed - field reversible
- Field sizeable

#### Mechanical Options

- F - 3-Hour Fire Rated
- HD - Hex Dogging (Std.)
- CD - Cylinder Dogging
- LD - Less Dogging
- 36 - 36" Door Widths (Std.)
- 48 - 48" Door Widths
- 84 - 84" Door Height (Std.)
- 96 - 85" to 96" Door Height
- 120 - 97" to 120" Door Height

#### Electrical Options

- Exit Alarm (EA)
- Electric Dogging (ED)
- Electric Integration (EI)
- Electric Latch Retraction (ER)
- Delayed Egress - Self Contained (EE)
- Delayed Egress with Latch Retraction (EExER)
- Electric Unlock (EU)
- Request to Exit (EX)
- Request to Exit for High Voltage (EXV)
- Request to Exit Weatherized (EXxW)
- Request to Exit Weatherized for High Voltage (EXVxW)

Refer to Electrified Options section for more information



## Accessories

- GB4 - Glass Bead Kit - 7' Door Height (84")
- GB8 - Glass Bead Kit - 8' Door Height (85" - 96")
- GB12 - Glass Bead Kit - 10' Door Height (97" - 120")
- SN1 - Sex Nut Kit (2 per package)
- SSK- Security Torx Screw Kit
- Trim Functions (see Outside Trims)
- Electrified Options (see Electrified Options)

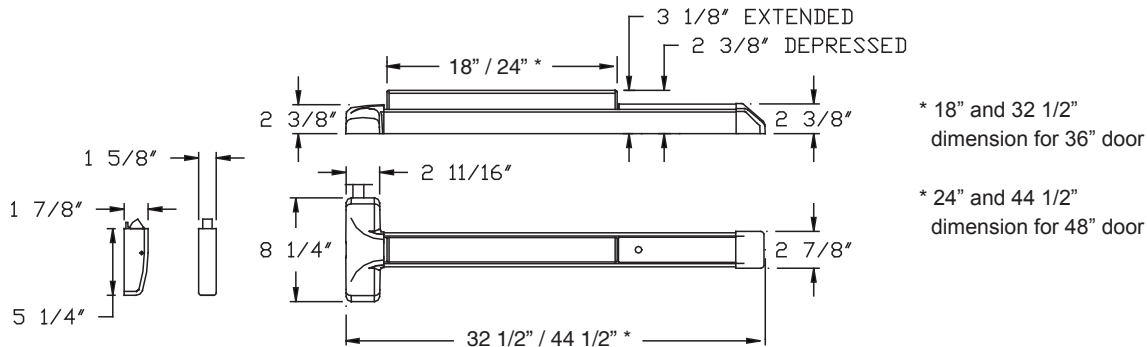
## Technical Information

- Door Types - Wood, Hollow Metal, Fiberglass or Aluminum
- Door Thickness - Fits standard 1-3/4" - 2-1/4" doors (for other door thicknesses contact factory)
- Minimum Stile - 4-1/2" with standard 97 strike
- Fasteners - Machine and Self-Drilling Screws standard

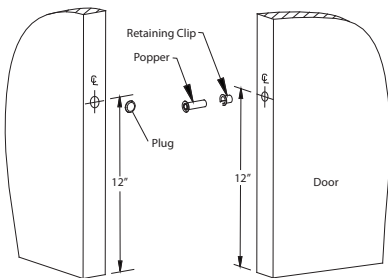
## Finishes

605 / US3	Polished Brass	628 / US28	Aluminum Satin	693 / SPBLK	Black, Painted
606 / US4	Brushed Brass	629 / US32	Polished Stainless Steel	695 / SP 313	Dark Bronze, Painted
611 / US9	Polished Bronze	630 / US32D	Brushed Stainless Steel		
612 / US10	Brushed Bronze				
613 / US10B	Oil Rubbed Bronze				

## Dimensions



## Popper Detail for Fire Rated Device



## Listings and Approvals

- UL LISTED US Panic Hardware
- UL LISTED US Fire Exit Hardware for 3 hours, maximum 4'x10' single doors and 8'x10' pairs of doors
- Meets ADA requirements
- UL LISTED US
- UBC 97, Standard 7-2 and UL10C for positive pressure
- BHMA CERTIFIED ANSIBHMA certified A156.3
- Meets NFPA 80 & 101 for Life Safety
- California State Fire Marshall - 4140-0127:105 and 3725-0127:108

## Detex Limited Warranty

10 Year Mechanical/3 year Electrical Limited Manufacturer's Warranty

*Where Trust is Built™*  
**DETEX®**  
*Life Safety and Security Door Hardware*

Detex Corporation  
302 Detex Drive  
New Braunfels, Texas 78130-3045 USA  
PH. (830) 629-2900  
(800) 729-3839  
FAX (830) 620-6711  
(800) 653-3839  
<http://www.detex.com>  
USA Sales:  
[marketing@detex.com](mailto:marketing@detex.com)  
International Sales:  
[export@detex.com](mailto:export@detex.com)





## 30 SERIES

### Mortise Lock Exit Device

The 30 Series **mortise lock exit device** is super-heavy-duty **panic and fire exit hardware** for use on all types of single and double doors. The patented mounting plate and strike locator system ensures the easiest and most accurate installation of panic hardware available.



**ANSI 156.3 - 2008  
Grade 1  
Type 3**

#### Benefits

- Tough and durable design for years of trouble-free service in high-use, high-abuse environments
- Fast and accurate installation
- Minimal door prep saves time and money
- Outside trims are easily changed or re-keyed without removing device from door
- Easy retrofit to other manufacturers

#### Features

- 3/4" Projection Stainless Steel latch bolt
- Anti-friction, deadlocking, latch bolt
- All exposed surfaces are finished over stainless steel with PVD, an environmentally-friendly finishing process
- Non-handed, field sizeable
- 1/8 turn dogging
- Patented mounting plate and strike locator system
- Heavy-duty angled end-cap deflects damage away from device

#### Mechanical Options

- CD - Cylinder Dogging
- HD - Hex Dogging (Std.)
- LD - Less Dogging
- F - 3-Hour Fire Rated
- 90 ANSI Strike (Std.)
- 91 ANSI Flat Lip Strike
- 92 Double Door Short Open Back Strike
- 93 - Double Door Long Open Back Strike
- 36 - Fits 36" Door Width (Std.)
- 48 - Fits 48" Door Width

#### Electrical Options

- Exit Alarm (EA)
- Electric Dogging (ED)
- Electric Latch Retraction (ER)
- Delayed Egress Self-Contained (EE)
- Delayed Egress with Latch Retraction (EEExER)
- Request to Exit (EX)
- Request to Exit for High Voltage (EXV)
- Request to Exit Weatherized (EXxW)
- Request to Exit Weatherized for High Voltage (EXVxW)

Refer to Electrified Options section for more information



## Accessories

- SN1 - Sex Nut Kit (2 per package)
- KS - Key Stop - key removed only when armed
- GB16 - Glass Bead Kit

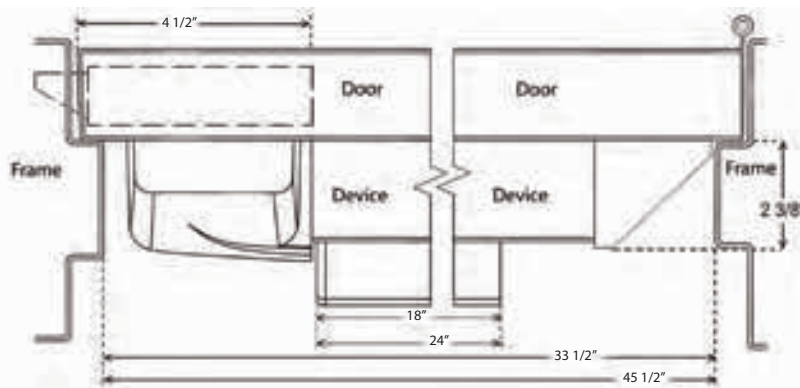
## Technical Information

- Door Types - Wood, Hollow Metal, Fiberglass or Aluminum
- Minimum Stile - 4-3/4"
- Optional Sex Nuts for wood or composite doors
- Door Thickness - Fits standard 1-3/4" - 2-1/4" doors (for other door thicknesses contact factory)
- Machine and Self-Drilling Screws (Std.)
- Security Torx screws available

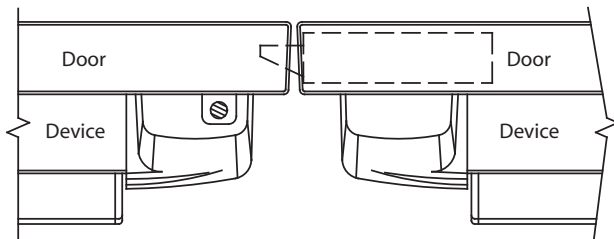
## Finishes

605 / US3	Polished Brass	628 / US28	Aluminum Satin	693 / SPBLK	Black, Painted
606 / US4	Brushed Brass	629 / US32	Polished Stainless Steel	695 / SP 313	Dark Bronze, Painted
611 / US9	Polished Bronze				
612 / US10	Brushed Bronze	630 / US32D	Brushed Stainless Steel		
613 / US10B	Oil Rubbed Bronze				

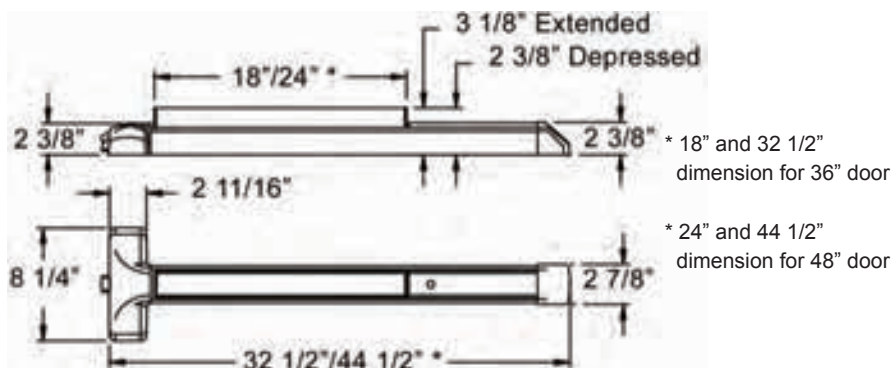
## Single Door



## Double Door with Mortise and Vertical Rod



## Dimensions



## Listings and Approvals



UL Listed  
Panic Hardware

LISTED



UL Listed Fire Exit Hardware  
for 3 hours, maximum  
4'x10' single doors and pairs of  
8'x10' doors with Surface Vertical Rod



Meets ADA requirements



ULC 97, Standard 7-2 and  
UL10C for positive pressure



ANSI/BHMA certified A156.3



Meets NFPA 80 & 101  
for Life Safety



California State Fire Marshal -  
4140-0127:105 and  
3725-0127:108

## Detex Limited Warranty

10 Year Mechanical/3 year Electrical  
Limited Manufacturer's Warranty

Where Trust is Built™

**DETEX**®

Life Safety and Security Door Hardware

Detex Corporation  
302 Detex Drive  
New Braunfels, Texas 78130-3045 USA  
PH. (830) 629-2900  
(800) 729-3839  
FAX (830) 620-6711  
(800) 653-3839  
<http://www.detex.com>  
USA Sales:  
[marketing@detex.com](mailto:marketing@detex.com)  
International Sales:  
[export@detex.com](mailto:export@detex.com)



## 40 SERIES

### Narrow Stile Rim Exit Device

The 40 Series rim exit device is super-heavy-duty panic and fire exit hardware for use on all types of narrow stile single and double doors with mullions. The patented mounting plate and strike locator system ensures the easiest and most accurate installation of panic hardware available.



ANSI 156.3 - 2008  
Grade 1  
Type 4

#### Benefits

- Tough and durable design for years of trouble-free service in high-use, high-abuse environments
- Fast and accurate installation
- Minimal door prep saves time and money
- Outside trims are easily changed or re-keyed without removing device from door

#### Features

- Patented mounting plate and strike locator system replaces paper templates
- All exposed surfaces are finished over stainless steel with PVD, an environmentally-friendly finishing process
- Non-handed
- Stainless steel deadlocking, Pullman-type latch bolt
- Heavy-duty angled end-cap deflects damage away from device
- Field sizeable
- 1/8 turn hex or cylinder dogging

#### Mechanical Options

- F - 3-Hour Fire Rated
- CD - Cylinder Dogging
- 99 - Surface Strike
- H - Hurricane Rated
- LD - Less Dogging
- 36 - Fits 36" Door Width (Std.)
- HD - Hex Dogging (Std.)
- 98 - Semi Mortise Strike (Std.)
- 48 - Fits 48" Door Width

#### Electrical Options

- Exit Alarm (EA)
- Electric Unlock (EU2W)
- Request to Exit Weatherized (EXxW)
- Electric Dogging (ED)
- Latch Bolt Signaling (LX)
- Request to Exit Weatherized for High Voltage (EXVxW)
- Electric Integration (EI)
- Latch Bolt Signaling for High Voltage (LXV)
- Refer to Electrified Options section for more information
- Electric Latch Retraction (ER)
- Electric Switching (ES)
- Request to Exit (EX)
- Delayed Egress - Self Contained (EE)
- Request to Exit for High Voltage (EXV)
- Delayed Egress with Latch Retraction (EExER)
- Delayed Egress - Mag Lock (EM)

## Accessories

- GB2 - Glass Bead Kit
- SN1 - Sex Nut Kit (2 per package)
- SSK - Security Torx Screw Kit
- Trim Functions (see Outside Trims)
- Electrified Options (see Electrified Options)

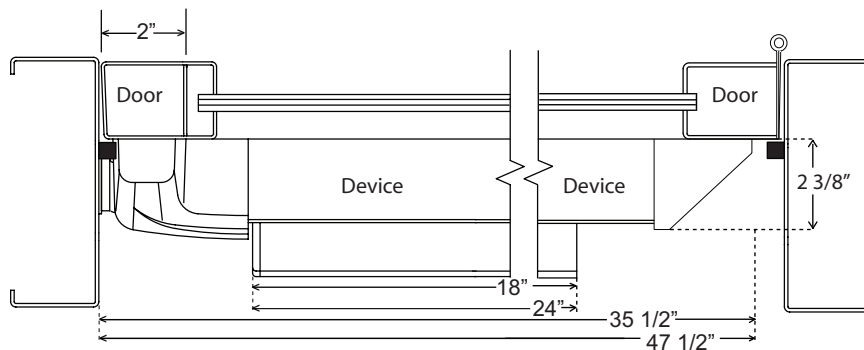
## Technical Information

- Door Types - Wood, Hollow Metal, Fiberglass or Aluminum
- Door Thickness - Fits standard 1-3/4" - 2-1/4" doors (for other door thicknesses contact factory)
- Minimum Stile - 2" with standard 98 strike; 2-1/2" with optional 99 strike
- Fasteners - Machine and Self-Drilling Screws standard

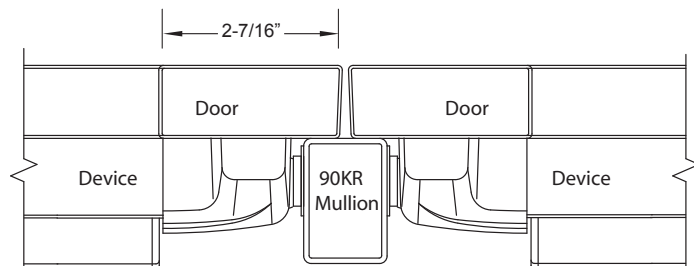
## Finishes

605 / US3	Polished Brass	628 / US28	Aluminum Satin	693 / SPBLK	Black, Painted
606 / US4	Brushed Brass	629 / US32	Polished Stainless Steel	695 / SP 313	Dark Bronze, Painted
611 / US9	Polished Bronze				
612 / US10	Brushed Bronze	630 / US32D	Brushed Stainless Steel		
613 / US10B	Oil Rubbed Bronze				

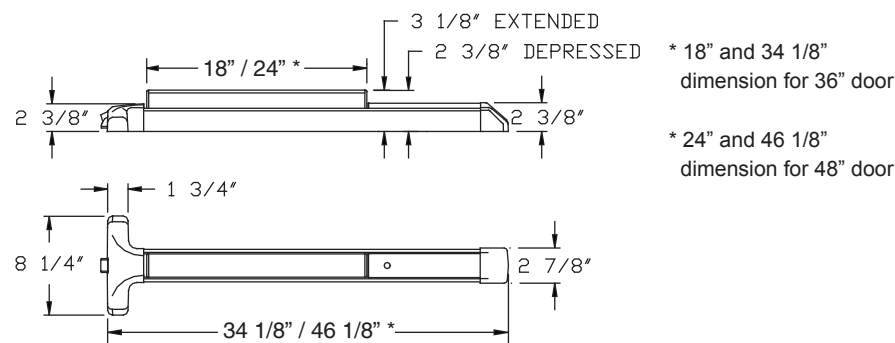
## Single Door



## Double Door with 90KR Mullion



## Dimensions



## Listings and Approvals

- UL Listed Panic Hardware
- UL Listed Fire Exit Hardware for 3 hours, maximum
- 4"x10' single doors and pairs of 4"x8' with F90KR key removable Mullion
- Meets ADA requirements
- UBC 97, Standard 7-2 and UL10C for positive pressure
- ANSI/BHMA certified A156.3
- Meets NFPA 80 & 101 for Life Safety
- Miami-Dade County, Florida NOA 10-0303.02 EXP: 04/07/15
- State of Florida Approval FL9052
- California State Fire Marshall - 4140-0127:105 and 3725-0127:108

## Detex Limited Warranty

10 Year Mechanical/3 year Electrical Limited Manufacturer's Warranty

*Where Trust is Built™*  
**DETEX®**  
*Life Safety and Security Door Hardware*

Detex Corporation  
 302 Detex Drive  
 New Braunfels, Texas 78130-3045 USA  
 PH. (830) 629-2900  
 (800) 729-3839  
 FAX (830) 620-6711  
 (800) 653-3839  
<http://www.detex.com>  
 USA Sales:  
[marketing@detex.com](mailto:marketing@detex.com)  
 International Sales:  
[export@detex.com](mailto:export@detex.com)



## 50 SERIES

### Narrow Stile Surface Vertical Rod Device

The 50 Series **surface vertical rod exit device** is super-heavy-duty **panic** and **fire exit hardware** for use on all types of narrow stile double doors without a mullion. All 50 series SVR exit devices are supplied with top and bottom rod covers and an ADA compliant ramped bottom bolt cover. The patented mounting plate and strike locator system ensures the easiest and most accurate installation of panic hardware available.



ANSI 156.3 - 2008  
Grade 1  
Type 5

#### Benefits

- Tough and durable design for years of trouble-free service in high-use, high-abuse environments
- Fast and accurate installation
- Minimal door prep saves time and money
- Outside trims are easily changed or rekeyed without removing device from door
- Security enhanced by stainless steel rod covers, standard

#### Features

- Patented mounting plate and strike locator system replaces paper templates
- Stainless steel deadlocking, Pullman-type top latch
- Hardened steel bottom drop bolt with dust proof strike
- ADA ramped bottom bolt cover
- 1/8 turn hex or cylinder dogging
- All exposed surfaces are finished over stainless steel with PVD, an environmentally friendly finishing process
- Heavy-duty angled end-cap deflects damage away from device
- Handed - field reversible
- Field sizeable

#### Mechanical Options

- F - 3-Hour Fire Rated
- HD - Hex Dogging (Std.)
- CD - Cylinder Dogging
- LD - Less Dogging
- 36 - 36" Door Widths (Std.)
- 48 - 48" Door Widths
- 84 - 84" Door Height (Std.)
- 96 - 85" to 96" Door Height
- 120 - 97" to 120" Door Height

#### Electrical Options

- Exit Alarm (EA)
- Electric Dogging (ED)
- Electric Integration (EI)
- Electric Latch Retraction (ER)
- Delayed Egress - Self Contained (EE)
- Delayed Egress with Latch Retraction (EExER)
- Electric Unlock (EU2W)
- Request to Exit (EX)
- Request to Exit for High Voltage (EXV)
- Request to Exit Weatherized (EXxW)
- Request to Exit Weatherized for High Voltage (EXVxW)

Refer to Electrified Options section for more information



## Accessories

- GB5 - Glass Bead Kit - 7' Door Height (84")
- GB9 - Glass Bead Kit - 8' Door Height (85" - 96")
- GB13 - Glass Bead Kit - 10' Door Height (97" - 120")
- SN1 - Sex Nut Kit (2 per package)
- SSK- Security Torx Screw Kit
- Trim Functions (see Outside Trims)
- Electrified Options (see Electrified Options)

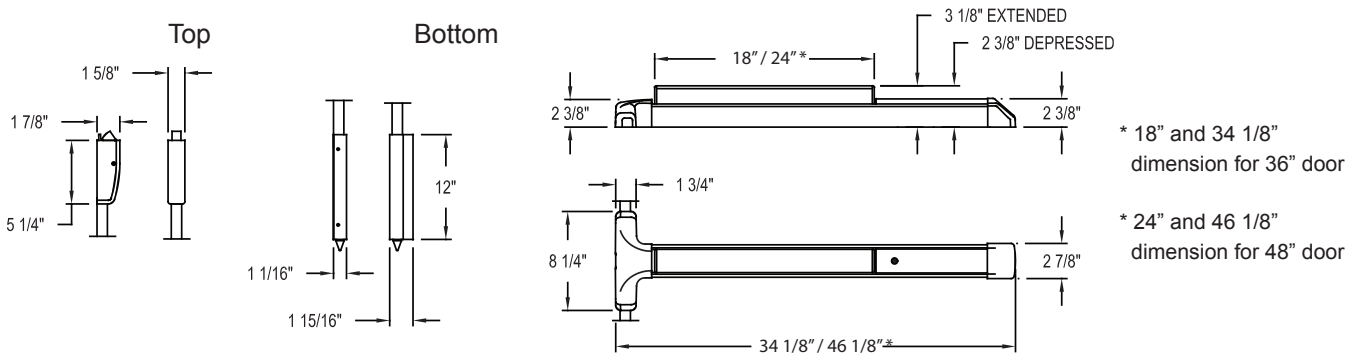
## Technical Information

- Door Types - Wood, Hollow Metal, Fiberglass or Aluminum
- Door Thickness - Fits standard 1-3/4" - 2-1/4" doors (for other door thicknesses contact factory)
- Minimum Stile - 2" with standard 96 strike
- Fasteners - Machine and Self-Drilling Screws standard

## Finishes

605 / US3	Polished Brass	628 / US28	Aluminum Satin	693 / SPBLK	Black, Painted
606 / US4	Brushed Brass	629 / US32	Polished Stainless Steel	695 / SP 313	Dark Bronze, Painted
611 / US9	Polished Bronze	630 / US32D	Brushed Stainless Steel		
612 / US10	Brushed Bronze				
613 / US10B	Oil Rubbed Bronze				

## Dimensions



## Listings and Approvals



UL Listed  
Panic Hardware



UL Listed Fire Exit Hardware  
for 3 hours, maximum  
4'x10' single doors and  
8'x10' pairs of doors



Meets ADA requirements



ULC 97, Standard 7-2 and  
UL10C for positive pressure



ANSI/BHMA certified A156.3



Meets NFPA 80 & 101  
for Life Safety



California State Fire Marshall -  
4140-0127:105 and  
3725-0127:108

## Detex Limited Warranty

10 Year Mechanical/3 year Electrical  
Limited Manufacturer's Warranty

*Where Trust is Built™*  
**DETEX®**  
*Life Safety and Security Door Hardware*

Detex Corporation  
302 Detex Drive  
New Braunfels, Texas 78130-3045 USA

PH. (830) 629-2900

(800) 729-3839

FAX (830) 620-6711

(800) 653-3839

<http://www.detex.com>

USA Sales:

[marketing@detex.com](mailto:marketing@detex.com)

International Sales:

[export@detex.com](mailto:export@detex.com)



## 51 SERIES

### Narrow Stile Surface Vertical Top Rod Only Device

The 51 Series **surface vertical rod exit device** is super-heavy-duty **panic and fire exit hardware** for use on all types of narrow stile double doors without a mullion. All 51 Series Top Rod Only exit devices are supplied with a rod cover. The patented mounting plate and strike locator system ensures the easiest and most accurate installation of panic hardware available.



ANSI 156.3 - 2008  
Grade 1  
Type 5

#### Benefits

- Tough and durable design for years of trouble-free service in high-use, high-abuse environments
- Fast and accurate installation
- Minimal door prep saves time and money
- Outside trims are easily changed or rekeyed without removing device from door
- Security enhanced by stainless steel rod covers, standard

#### Features

- Patented mounting plate and strike locator system replaces paper templates
- Stainless steel deadlocking, Pullman-type top latch
- 1/8 turn hex or cylinder dogging
- All exposed surfaces are finished over stainless steel with PVD, an environmentally friendly finishing process
- Heavy-duty angled end-cap deflects damage away from device
- Handed - field reversible
- Field sizeable

#### Mechanical Options

- F - 3-Hour Fire Rated
- HD - Hex Dogging (Std.)
- CD - Cylinder Dogging
- LD - Less Dogging
- 36 - 36" Door Widths (Std.)
- 48 - 48" Door Widths
- 84 - 84" Door Height (Std.)
- 96 - 85" to 96" Door Height
- 120 - 97" to 120" Door Height

#### Electrical Options

- Exit Alarm (EA)
- Electric Dogging (ED)
- Electric Integration (EI)
- Electric Latch Retraction (ER)
- Delayed Egress - Self Contained (EE)
- Delayed Egress with Latch Retraction (EExER)
- Electric Unlock (EU)
- Request to Exit (EX)
- Request to Exit for High Voltage (EXV)
- Request to Exit Weatherized (EXxW)
- Request to Exit Weatherized for High Voltage (EXVxW)

Refer to Electrified Options section for more information



## Accessories

- GB6 - Glass Bead Kit - 7' Door Height (84")
- GB10 - Glass Bead Kit - 8' Door Height (85" - 96")
- GB14 - Glass Bead Kit - 10' Door Height (97" - 120")
- SN1 - Sex Nut Kit (2 per package)
- SSK- Security Torx Screw Kit
- Trim Functions (see Outside Trims)
- Electrified Options (see Electrified Options)

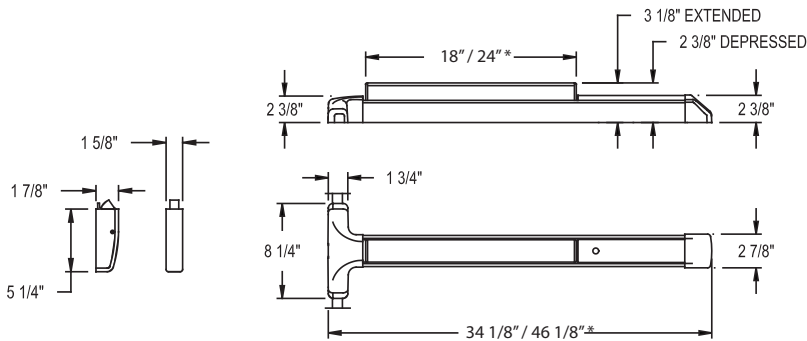
## Technical Information

- Door Types - Wood, Hollow Metal, Fiberglass or Aluminum
- Door Thickness - Fits standard 1-3/4" - 2-1/4" doors (for other door thicknesses contact factory)
- Minimum Stile - 2" with standard 96 strike
- Fasteners - Machine and Self-Drilling Screws standard

## Finishes

605 / US3	Polished Brass	628 / US28	Aluminum Satin	693 / SPBLK	Black, Painted
606 / US4	Brushed Brass	629 / US32	Polished Stainless Steel	695 / SP 313	Dark Bronze, Painted
611 / US9	Polished Bronze				
612 / US10	Brushed Bronze	630 / US32D	Brushed Stainless Steel		
613 / US10B	Oil Rubbed Bronze				

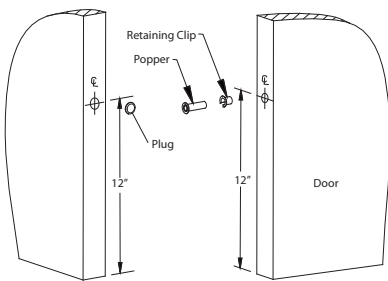
## Dimensions



\* 18" and 34 1/8" dimension for 36" door

\* 24" and 46 1/8" dimension for 48" door

## Popper Detail for Fire Rated Device



## Listings and Approvals



UL Listed  
Panic Hardware

LISTED

UL Listed Fire Exit Hardware for 3 hours, maximum 4'x10' single doors and 8'x10' pairs of doors



LISTED



Meets ADA requirements



ULC 97, Standard 7-2 and UL10C for positive pressure



ANSI/BHMA certified A156.3



Meets NFPA 80 & 101 for Life Safety



California State Fire Marshall - 4140-0127:105 and 3725-0127:108

## Detex Limited Warranty

10 Year Mechanical/3 year Electrical Limited Manufacturer's Warranty

*Where Trust is Built™*  
**DETEX®**  
*Life Safety and Security Door Hardware*

Detex Corporation  
302 Detex Drive  
New Braunfels, Texas 78130-3045 USA

PH. (830) 629-2900

(800) 729-3839

FAX (830) 620-6711

(800) 653-3839

<http://www.detex.com>

USA Sales:

[marketing@detex.com](mailto:marketing@detex.com)

International Sales:

[export@detex.com](mailto:export@detex.com)





## 60 SERIES

## 61 SERIES (Top Rod Only)

### Concealed Vertical Rod Device - Narrow Stile Aluminum Door

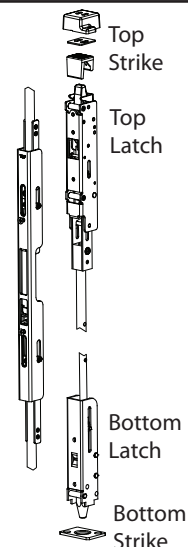
The 60 and 61 Series **concealed vertical rod exit device** is super-heavy-duty **panic and fire exit hardware** for use on all types of narrow stile aluminum doors without a mullion. The patented mounting plate system ensures the easiest and most accurate installation of panic hardware available.

Note: For Top Rod Only - Specify 61 Series



60 Series Shown - (Top and Bottom Latch)

ANSI 156.3 - 2008  
Grade 1  
Type 6



#### Benefits

- Tough and durable design for years of trouble-free service in high-use, high-abuse environments
- Minimal door prep saves time and money
- Aesthetically pleasing options to meet various applications including:  
60/61 CVR Narrow Stile Alum. Door  
62/63 CVR Narrow Stile H.M. Door  
70/71 CVR Wide Stile Wood Door  
80/81 CVR Wide Stile H.M. Door  
82/83 CVR Wide Stile Alum. Door
- Fast and accurate installation
- Except for 03R, outside trims are easily changed or rekeyed without removing device from door

#### Features

- 6-position multi-step action in top latch keeps top and bottom bolts retracted until door closes and provides more consistent re-latching and security to door
- Top strike fully adjustable both vertically and to accommodate a variety of varying weather strip thicknesses
- Top strike both secures the door and re-engages the latchbolts
- Patented deadlocking of top (60 and 61 Series) and bottom bolt (60 Series) assemblies
- Durable steel bottom drop bolt (60 Series)
- Rods are easily adjustable with rods installed in door
- Angled end-cap deflects damage away from device
- Handed - field reversible
- Field sizeable
- 1/8 turn dogging

#### Mechanical Options

- F - 3-Hour Fire Rated without astragal up to 10 foot (steel) door
- HD - Hex Dogging (Std.)
- CD - Cylinder Dogging
- SLR - Silencer
- 30 - Fits 30" Door Width - limited electrical options
- 36 - Fits 36" Door Widths (Std.)
- 48 - Fits 48" Door Widths
- EC1 - Ramped Endcap - Heavy duty (standard on 630, 606, 612, 613, 605, 611 & 629 finishes only)
- EC2 - Flush Endcap (standard on 628, 693 & 695 Finishes only), specify when used on 2" - 3-1/2" stiles

#### Electrical Options

- Exit Alarm (EA)
- Electric Dogging (ED)
- Electric Latch Retraction (ER)
- Delayed Egress Self-Contained (EE)
- Request to Exit (EX)
- Request to Exit for High Voltage (EXV)
- Electric Delayed Egress x Latch Retraction (EEExER)

Refer to Electrified Options section for more information



## Accessories

- SSK - Security Torx Screw Kit

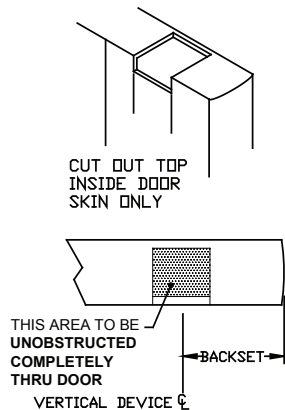
## Technical Information

- Door Types - Aluminum/  
Aluminum Channel FRP
- Door Stile - Fits minimum 3-1/2"
- For 2" - 3-1/2" door stiles, specify EC2
- Door Thickness - Fits standard 1-3/4" - 2 1/4" (for other door thicknesses contact factory)
- Fasteners - Machine and sheet metal screws supplied standard
- Rail is heavy ribbed aluminum extrusion

## Finishes

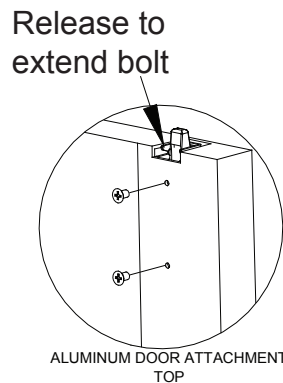
605 / US3	Polished Brass	628 / US28	Satin Aluminum	693 / SPBLK	Black, painted
606 / US4	Brushed Brass	629 / US32	Polished Stainless Steel	695 / SP313	Dark Bronze, painted
611 / US9	Polished Bronze	630 / US32D	Brushed Stainless Steel		
612 / US10	Brushed Bronze				
613 / US10B	Oil Rubbed Bronze				

## Top & Bottom Latch Door Prep for 60 & 61 Series

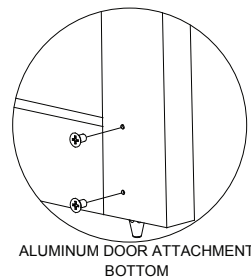


LATCH MOUNTING TOP & BOTTOM

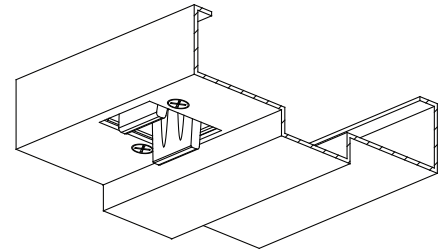
## Top Latch Installation for 60 & 61 Series



## Bottom Latch Installation for 60 Series Only



## Top Strike Installation for 60 & 61 Series



## Detex Limited Warranty

10 Year Mechanical/3 year Electrical  
Limited Manufacturer's Warranty

## Listings and Approvals



UL Listed  
Panic Hardware



UL Listed Fire Exit Hardware  
UL 10 B/C  
8'x10' pairs of doors



Meets ADA requirements



UBC 97, Standard 7-2 and  
UL10C for positive pressure



ANSI/BHMA certified A156.3



Meets NFPA 80 & 101  
for Life Safety

*Where Trust is Built™*  
**DETEX®**  
*Life Safety and Security Door Hardware*

Detex Corporation  
302 Detex Drive  
New Braunfels, Texas 78130-3045 USA  
PH. (830) 629-2900  
(800) 729-3839  
FAX (830) 620-6711  
(800) 653-3839  
<http://www.detex.com>  
USA Sales:  
[marketing@detex.com](mailto:marketing@detex.com)  
International Sales:  
[export@detex.com](mailto:export@detex.com)



## 62 SERIES

## 63 SERIES (Top Rod Only)

### Concealed Vertical Rod Device - Narrow Stile Hollow Metal Door

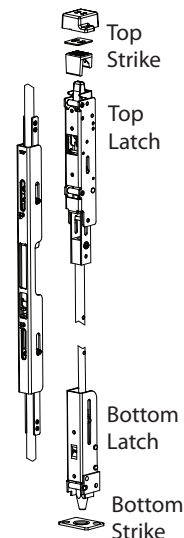
The 62 and 63 Series **concealed vertical rod exit device** is super-heavy-duty **panic and fire exit hardware** for use on all types of narrow stile hollow metal doors without a mullion. The patented mounting plate system ensures the easiest and most accurate installation of panic hardware available.

Note: For Top Rod Only -  
Specify 63 Series



62 Series Shown -  
(Top and Bottom Bolt)

ANSI 156.3 - 2008  
Grade 1  
Type 6



#### Benefits

- Tough and durable design for years of trouble-free service in high-use, high-abuse environments
- Minimal door prep saves time and money
- Aesthetically pleasing options to meet various applications including:  
60/61 CVR Narrow Stile Alum. Door  
62/63 CVR Narrow Stile H.M. Door  
70/71 CVR Wide Stile Wood Door  
80/81 CVR Wide Stile H.M. Door  
82/83 CVR Wide Stile Alum. Door
- Fast and accurate installation
- Except for 03R, outside trims are easily changed or rekeyed without removing device from door

#### Features

- 6-position multi-step action in top latch keeps top and bottom bolts retracted until door closes and provides more consistent re-latching and security to door
- Top strike fully adjustable both vertically and to accommodate a variety of varying weather strip thicknesses
- Top strike both secures the door and re-engages the latchbolts
- Patented deadlocking of top (62 and 63 Series) and bottom bolt (62 Series) assemblies
- Durable steel bottom drop bolt (62 Series)
- Rods are easily adjustable with rods installed in door
- Angled end-cap deflects damage away from device
- Handed - field reversible
- Field sizeable
- 1/8 turn dogging

#### Mechanical Options

- F - 3-Hour Fire Rated without astragal up to 10 foot (steel) door
- HD - Hex Dogging (Std.)
- CD - Cylinder Dogging
- SLR - Silencer
- 30 - Fits 30" Door Width - limited electrical options
- 36 - Fits 36" Door Widths (Std.)
- 48 - Fits 48" Door Widths
- EC1 - Ramped Endcap - Heavy duty (standard on 630, 606, 612, 613, 605, 611 & 629 finishes only)
- EC2 - Flush Endcap (standard on 628, 693 & 695 Finishes only)

#### Electrical Options

- Exit Alarm (EA)
- Electric Dogging (ED)
- Electric Latch Retraction (ER)
- Delayed Egress Self-Contained (EE)
- Request to Exit (EX)
- Request to Exit for High Voltage (EXV)
- Electric Delayed Egress x Latch Retraction (EEExER)

Refer to Electrified Options section for more information



## Accessories

- SSK - Security Torx Screw Kit

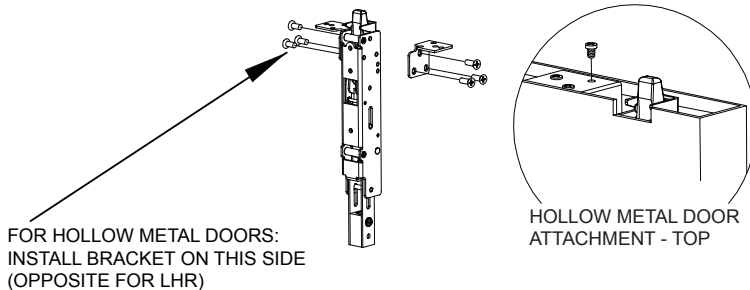
## Technical Information

- Door Types - Hollow Metal
- Door Stile - Fits minimum 4-1/2"
- Door Thickness - Fits standard 1-3/4" - 2 1/4" (for other door thicknesses contact factory)
- Fasteners - Machine and sheet metal screws supplied standard
- Rail is heavy ribbed aluminum extrusion

## Finishes

605 / US3	Polished Brass	628 / US28	Satin Aluminum	693 / SPBLK	Black, painted
606 / US4	Brushed Brass	629 / US32	Polished Stainless Steel	695 / SP313	Dark Bronze, painted
611 / US9	Polished Bronze	630 / US32D	Brushed Stainless Steel		
612 / US10	Brushed Bronze				
613 / US10B	Oil Rubbed Bronze				

## Top Latch Installation for 62 & 63 Series



FOR **FIRE RATED** HOLLOW METAL DOORS:  
INSTALL BRACKETS ON BOTH SIDES

## Listings and Approvals



UL Listed  
Panic Hardware



UL Listed Fire Exit Hardware  
for 3 hours, maximum (with steel door)  
8'x10' pairs of doors



Meets ADA requirements



ULC 97, Standard 7-2 and  
UL10C for positive pressure



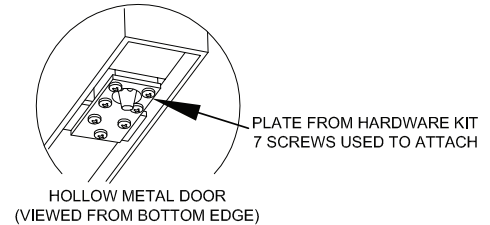
ANSI/BHMA certified A156.3



Meets NFPA 80 & 101  
for Life Safety

## Bottom Latch Installation for 62 Series Only

Note: Bottom bracket may slide up on rod during assembly. It may be necessary to pull it towards bottom edge of door with a simple wire hook.



## Detex Limited Warranty

10 Year Mechanical/3 year Electrical  
Limited Manufacturer's Warranty

Where Trust is Built™  
**DETEX**®  
Life Safety and Security Door Hardware

Detex Corporation  
302 Detex Drive  
New Braunfels, Texas 78130-3045 USA  
PH. (830) 629-2900  
(800) 729-3839  
FAX (830) 620-6711  
(800) 653-3839  
<http://www.detex.com>  
USA Sales:  
[marketing@detex.com](mailto:marketing@detex.com)  
International Sales:  
[export@detex.com](mailto:export@detex.com)



## 70 SERIES

## 71 SERIES (Top Rod Only)

### Concealed Vertical Rod Device - Wide Stile Wood Doors

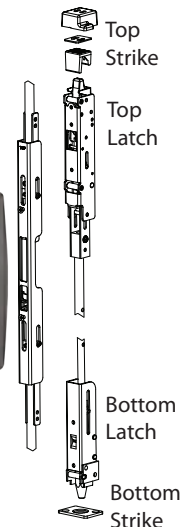
The 70 and 71 Series **concealed vertical rod exit device** is super-heavy-duty **panic** and **fire exit hardware** for use on all types of wooden double doors without a mullion. The patented mounting plate system ensures the easiest and most accurate installation of panic hardware available.

Note: For Top Rod Only -  
Specify 71 Series



70 Series Shown -  
(Top and Bottom Bolt)

ANSI 156.3 - 2008  
Grade 1  
Type 7



#### Benefits

- Tough and durable design for years of trouble-free service in high-use, high-abuse environments
- Minimal door prep saves time and money
- Aesthetically pleasing options to meet various applications including:  
60/61 CVR Narrow Stile Alum. Door  
62/63 CVR Narrow Stile H.M. Door  
70/71 CVR Wide Stile Wood Door  
80/81 CVR Wide Stile H.M. Door  
82/83 CVR Wide Stile Alum. Door
- Fast and accurate installation
- Except for 03WSV, outside trims are easily changed or rekeyed without removing device from door

#### Features

- 6-position multi-step action in top latch keeps top and bottom bolts retracted until door closes and provides more consistent re-latching and security to door
- Top strike fully adjustable both vertically and to accommodate a variety of varying weather strip thicknesses
- Top strike both secures the door and re-engages the latchbolts
- Patented deadlocking of top (70 and 71 Series) and bottom (70 Series) bolt assemblies
- Durable steel bottom drop bolt (70 Series)
- Rods are easily adjustable with rods installed in door
- Angled end-cap deflects damage away from device
- Handed - field reversible
- Field sizeable
- 1/8 turn dogging

#### Mechanical Options

- F - 90 Minute Fire Rated without astragal up to 10 foot door
- HD - Hex Dogging (Std.)
- CD - Cylinder Dogging
- LD - Less Dogging
- SLR - Silencer
- 30 - Fits 30" Door Width - limited electrical options
- 36 - Fits 36" Door Widths (Std.)
- 48 - Fits 48" Door Widths
- EC1 - Ramped Endcap - Heavy duty (standard on 630, 606, 612, 613, 605, 611 & 629 finishes only)
- EC2 - Flush Endcap (standard on 628, 693 & 695 Finishes only)

#### Electrical Options

- Exit Alarm (EA)
- Electric Dogging (ED)
- Electric Latch Retraction (ER)
- Delayed Egress Self-Contained (EE)
- Request to Exit (EX)
- Request to Exit for High Voltage (EXV)
- Electric Delayed Egress x Latch Retraction (EExER)

Refer to Electrified Options section for more information



## Accessories

- SSK - Security Torx Screw Kit

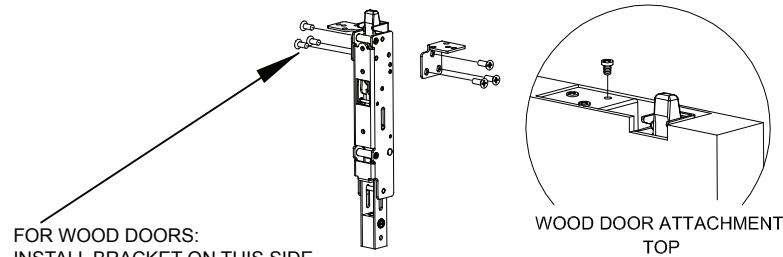
## Technical Information

- Door Types - Wood
- Door Stile - Fits minimum 5"
- Door Thickness - Fits standard 1-3/4" - 2 1/4" (for other door thicknesses contact factory)  
**NOTE:** For secure installation, Detex recommends minimum 2" thick doors
- Fasteners - Wood screws supplied standard
- Rail is heavy ribbed aluminum extrusion

## Finishes

605 / US3	Polished Brass	628 / US28	Satin Aluminum	693 / SPBLK	Black, painted
606 / US4	Brushed Brass	629 / US32	Polished Stainless Steel	695 / SP313	Dark Bronze, painted
611 / US9	Polished Bronze	630 / US32D	Brushed Stainless Steel		
612 / US10	Brushed Bronze				
613 / US10B	Oil Rubbed Bronze				

## Top Latch Installation for 70 & 71 Series

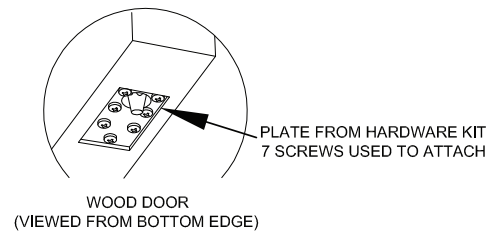


FOR WOOD DOORS:  
INSTALL BRACKET ON THIS SIDE  
(OPPOSITE FOR LHR)

FOR FIRE RATED WOOD DOORS:  
INSTALL BRACKETS ON BOTH SIDES

## Bottom Latch Installation for 70 Series Only

Note: Bottom bracket may slide up on rod during assembly. It may be necessary to pull it towards bottom edge of door with a simple wire hook.



## Listings and Approvals



UL Listed  
Panic Hardware



UL Listed Fire Exit Hardware  
for 1-1/2 hours, maximum (wood)  
8'x10' pairs of doors



Meets ADA requirements



ULC 97, Standard 7-2 and  
UL10C for positive pressure



ANSI/BHMA certified A156.3



Meets NFPA 80 & 101  
for Life Safety

## Detex Limited Warranty

10 Year Mechanical/3 year Electrical  
Limited Manufacturer's Warranty

*Where Trust is Built™*  
**DETEX®**  
*Life Safety and Security Door Hardware*

Detex Corporation  
302 Detex Drive  
New Braunfels, Texas 78130-3045 USA  
PH. (830) 629-2900  
(800) 729-3839  
FAX (830) 620-6711  
(800) 653-3839  
<http://www.detex.com>  
USA Sales:  
[marketing@detex.com](mailto:marketing@detex.com)  
International Sales:  
[export@detex.com](mailto:export@detex.com)



## 80 SERIES

## 81 SERIES (Top Rod Only)

### Concealed Vertical Rod Device - Wide Stile Hollow Metal Door

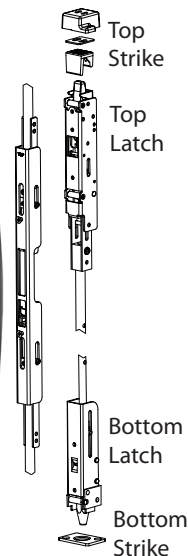
Designed to enhance the architectural aesthetics of any décor, the 80 and 81 Series **concealed vertical rod exit device** is also super-heavy-duty **panic and fire exit hardware** for use on all types of hollow metal doors without a mullion. The patented mounting plate system ensures the easiest and most accurate installation of panic hardware available.

Note: For Top Rod Only -  
Specify 81 Series



80 Series Shown -  
(Top and Bottom Bolt)

ANSI 156.3 - 2008  
Grade 1  
Type 8



#### Benefits

- Tough and durable design for years of trouble-free service in high-use, high-abuse environments
- Minimal door prep saves time and money
- Aesthetically pleasing options to meet various applications including:  
60/61 CVR Narrow Stile Alum. Door  
62/63 CVR Narrow Stile H.M. Door  
70/71 CVR Wide Stile Wood Door  
80/81 CVR Wide Stile H.M. Door  
82/83 CVR Wide Stile Alum. Door
- Fast and accurate installation
- Except for 03WSV, outside trims are easily changed or rekeyed without removing device from door

#### Features

- 6-position multi-step action in top latch keeps top and bottom bolts retracted until door closes and provides more consistent re-latching and security to door
- Top strike fully adjustable both vertically and to accommodate a variety of varying weather strip thicknesses
- Top strike both secures the door and re-engages the latchbolts
- Patented deadlocking of top (80 and 81 Series) and bottom bolt (80 Series) assemblies
- Durable steel bottom drop bolt (80 Series)
- Rods are easily adjustable with rods installed in door
- Angled end-cap deflects damage away from device
- Handed - field reversible
- Field sizeable
- 1/8 turn dogging

#### Mechanical Options

- F - 3-Hour Fire Rating without astragal up to 10 foot (steel) door
- HD - Hex Dogging (Std.)
- CD - Cylinder Dogging
- SLR - Silencer
- 30 - Fits 30" Door Width - limited electrical options
- 36 - Fits 36" Door Widths (Std.)
- 48 - Fits 48" Door Widths
- EC1 - Ramped Endcap - Heavy duty (standard on 630, 606, 612, 613, 605, 611 & 629 finishes only)
- EC2 - Flush Endcap (standard on 628, 693 & 695 Finishes only)

#### Electrical Options

- Exit Alarm (EA)
- Electric Dogging (ED)
- Electric Latch Retraction (ER)
- Delayed Egress Self-Contained (EE)
- Request to Exit (EX)
- Request to Exit for High Voltage (EXV)
- Electric Delayed Egress x Latch Retraction (EEExER)

Refer to Electrified Options section for more information



## Accessories

- SSK4- Security Torx Screw Kit
- Trim Functions (see Outside Trims)
- Electrified Options (see Electrified Options)

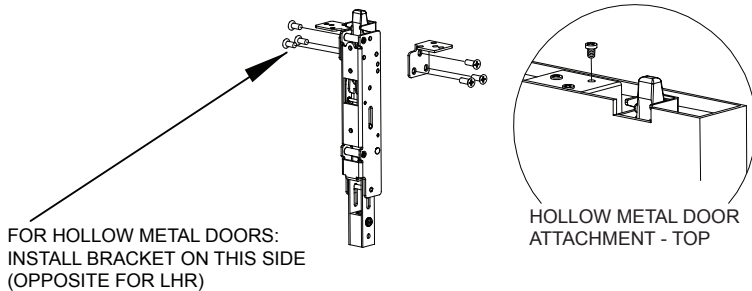
## Technical Information

- Door Types - Hollow Metal
- Door Thickness - Fits standard 1-3/4" - 2-1/4" (for other door thicknesses contact factory)
- Minimum Stile - 5"
- Fasteners - Machine and Self-Drilling Screws standard
- Rail is heavy ribbed aluminum extrusion

## Finishes

605 / US3	Polished Brass	628 / US28	Satin Aluminum	693 / SPBLK	Black, painted
606 / US4	Brushed Brass	629 / US32	Polished Stainless Steel	695 / SP313	Dark Bronze, painted
611 / US9	Polished Bronze	630 / US32D	Brushed Stainless Steel		
612 / US10	Brushed Bronze				
613 / US10B	Oil Rubbed Bronze				

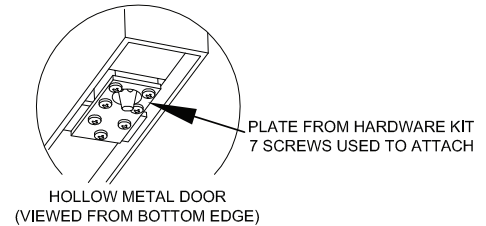
## Top Latch Installation for 80 & 81 Series









FOR **FIRE RATED** HOLLOW METAL DOORS:  
INSTALL BRACKETS ON BOTH SIDES

## Bottom Latch Installation for 80 Series Only

Note: Bottom bracket may slide up on rod during assembly. It may be necessary to pull it towards bottom edge of door with a simple wire hook.



## Listings and Approvals

-  UL Listed  
Panic Hardware  
LISTED
-  UL Listed Fire Exit Hardware  
for 3 hours, maximum  
8'x10' pairs of doors
-  Meets ADA requirements
-  UBC 97, Standard 7-2 and  
UL10C for positive pressure
-  ANS/BHMA certified A156.3
-  Meets NFPA 80 & 101  
for Life Safety

## Detex Limited Warranty

10 Year Mechanical/3 year Electrical  
Limited Manufacturer's Warranty

*Where Trust is Built™*  
**DETEX®**  
*Life Safety and Security Door Hardware*

Detex Corporation  
302 Detex Drive  
New Braunfels, Texas 78130-3045 USA  
PH. (830) 629-2900  
(800) 729-3839  
FAX (830) 620-6711  
(800) 653-3839  
<http://www.detex.com>  
USA Sales:  
[marketing@detex.com](mailto:marketing@detex.com)  
International Sales:  
[export@detex.com](mailto:export@detex.com)





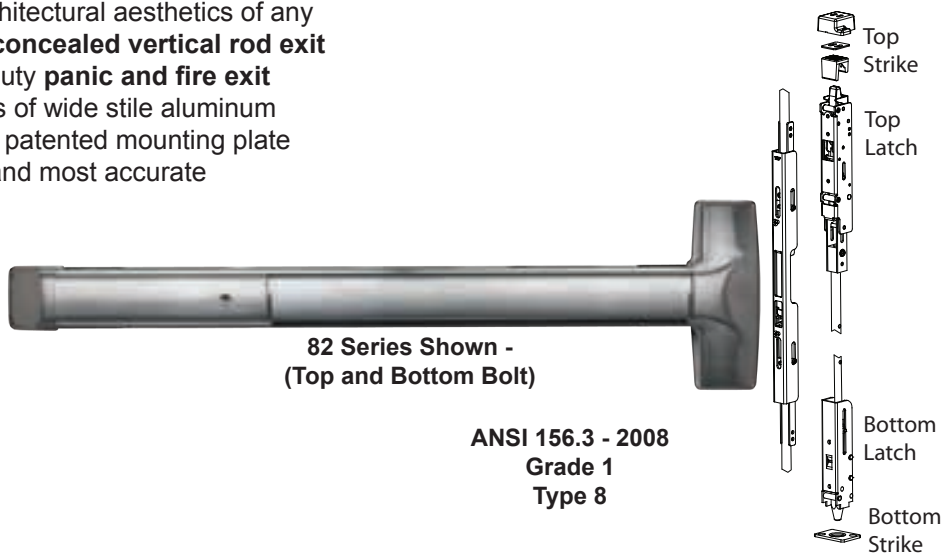
## 82 SERIES

## 83 SERIES (Top Rod Only)

### Concealed Vertical Rod Device - Wide Stile Aluminum Door

Designed to enhance the architectural aesthetics of any décor, the 82 and 83 Series **concealed vertical rod exit device** is also super-heavy-duty **panic and fire exit hardware** for use on all types of wide stile aluminum doors without a mullion. The patented mounting plate system ensures the easiest and most accurate installation of panic hardware available.

Note: For Top Rod Only - Specify 83 Series



#### Benefits

- Tough and durable design for years of trouble-free service in high-use, high-abuse environments
- Minimal door prep saves time and money
- Aesthetically pleasing options to meet various applications including:
  - 60/61 CVR Narrow Stile Alum. Door
  - 62/63 CVR Narrow Stile H.M. Door
  - 70/71 CVR Wide Stile Wood Door
  - 80/81 CVR Wide Stile H.M. Door
  - 82/83 CVR Wide Stile Alum. Door
- Fast and accurate installation
- Except for 03WSV, outside trims are easily changed or rekeyed without removing device from door

#### Features

- 6-position multi-step action in top latch keeps top and bottom bolts retracted until door closes and provides more consistent re-latching and security to door
- Top strike fully adjustable both vertically and to accommodate a variety of varying weather strip thicknesses
- Top strike both secures the door and re-engages the latchbolts
- Patented deadlocking of top (82 and 83 Series) and bottom bolt (82 Series) assemblies
- Durable steel bottom drop bolt (82 Series)
- Rods are easily adjustable with rods installed in door
- Angled end-cap deflects damage away from device
- Handed - field reversible
- Field sizeable
- 1/8 turn dogging

#### Mechanical Options

- F - 3-Hour Fire Rated without astragal up to 10 foot (steel) door
- HD - Hex Dogging (Std.)
- CD - Cylinder Dogging
- SLR - Silencer
- 30 - Fits 30" Door Width - limited electrical options
- 36 - Fits 36" Door Widths (Std.)
- 48 - Fits 48" Door Widths
- EC1 - Ramped Endcap - Heavy duty (standard on 630, 606, 612, 613, 605, 611 & 629 finishes only)
- EC2 - Flush Endcap (standard on 628, 693 & 695 Finishes only)

#### Electrical Options

- Exit Alarm (EA)
- Electric Dogging (ED)
- Electric Latch Retraction (ER)
- Delayed Egress Self-Contained (EE)
- Request to Exit (EX)
- Request to Exit for High Voltage (EXV)
- Electric Delayed Egress x Latch Retraction (EEExER)

Refer to Electrified Options section for more information



## Accessories

- SSK4- Security Torx Screw Kit
- Trim Functions (see Outside Trims)
- Electrified Options (see Electrified Options)

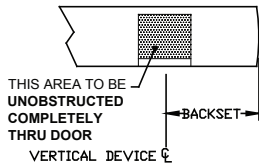
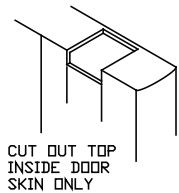
## Technical Information

- Door Types - Aluminum/ Aluminum Channel FRP
- Door Thickness - Fits standard 1-3/4" - 2-1/4" (for other door thicknesses contact factory)
- Door Stile - Fits minimum 4-1/2"
- Fasteners - Machine and Self-Drilling Screws standard
- Rail is heavy ribbed aluminum extrusion

## Finishes

605 / US3	Polished Brass	628 / US28	Satin Aluminum	693 / SPBLK	Black, painted
606 / US4	Brushed Brass	629 / US32	Polished Stainless Steel	695 / SP313	Dark Bronze, painted
611 / US9	Polished Bronze	630 / US32D	Brushed Stainless Steel		
612 / US10	Brushed Bronze				
613 / US10B	Oil Rubbed Bronze				

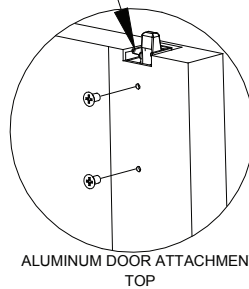
## Top & Bottom Latch Door Prep for 82 & 83 Series



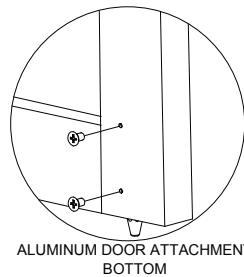
LATCH MOUNTING TOP & BOTTOM

## Top Latch Installation for 82 & 83 Series

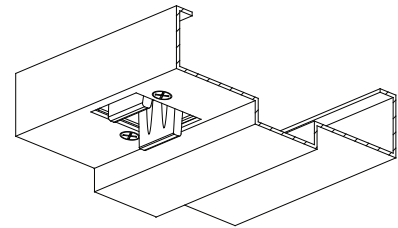
Release to extend bolt



## Bottom Latch Installation for 82 Series Only



## Top Strike Installation for 82 & 83 Series



## Detex Limited Warranty

10 Year Mechanical/3 year Electrical Limited Manufacturer's Warranty

## Listings and Approvals



UL Listed  
Panic Hardware



UL Listed Fire Exit Hardware  
UL 10 B/C  
8'x10' pairs of doors



Meets ADA requirements



ULC 97, Standard 7-2 and  
UL10C for positive pressure



ANSI/BHMA certified A156.3



Meets NFPA 80 & 101  
for Life Safety

Where Trust is Built™  
**DETEX**®  
Life Safety and Security Door Hardware

Detex Corporation  
302 Detex Drive  
New Braunfels, Texas 78130-3045 USA  
PH. (830) 629-2900  
(800) 729-3839  
FAX (830) 620-6711  
(800) 653-3839  
<http://www.detex.com>  
USA Sales:  
[marketing@detex.com](mailto:marketing@detex.com)  
International Sales:  
[export@detex.com](mailto:export@detex.com)



## **BHMA Functions**

- 01** - Exit only, no trim or blank escutcheon
- 02** - Entrance by trim when actuating bar is locked down
- 03** - Entrance by trim when latch bolt is released by key. Key removable only when locked.
- 08** - Entrance by knob or lever. Key locks or unlocks knob or lever.
- 09** - Entrance by knob or lever only when released by key. Key removable only when locked.
- 10** - Entrance by lever. Inside or outside key locks or unlocks lever.
- 14** - Entrance by trim when latch bolt is released by knob, lever. Always active, no cylinder.
- EU** - Electric Unlock Trim
- EU2W** - Electric Unlock Trim (doors with 4" minimum stile width)



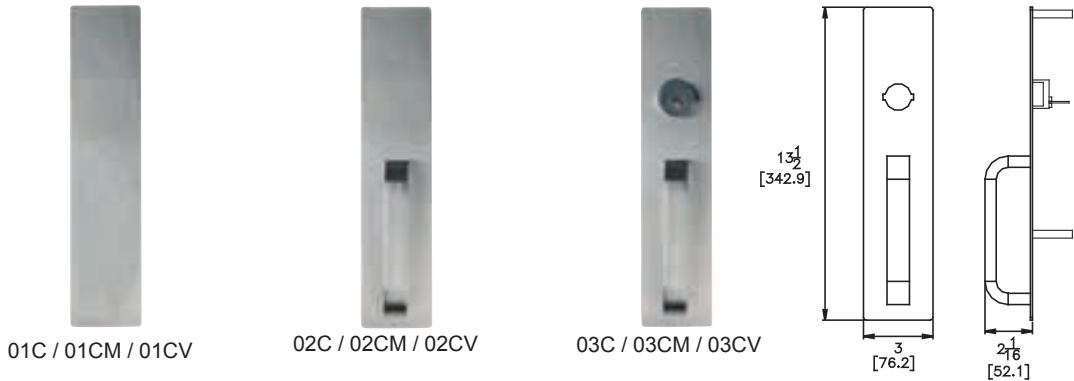
## WIDE STILE

### OUTSIDE TRIM DESIGNS

Assorted outside trims provide security for all types of installations. Built to be as durable as the panic devices, these heavy-duty trims will stand up to heavy use and abuse. The versatile design of the trims, combined with the device mounting plate, makes changing functions as simple as replacing the outside trim. This can easily be done without removing the exit device from the door. Wide stile trims can be used on 10 Series Rim and 20 and 21 Series Surface Vertical Rods. Add M to most trims for use with 30 Series Mortise devices. Add V to most trims for use with 70, 71, 80, 81, 82 and 83 Series Concealed Vertical Rod devices. Detex uses the BHMA functions/descriptions for all trims.

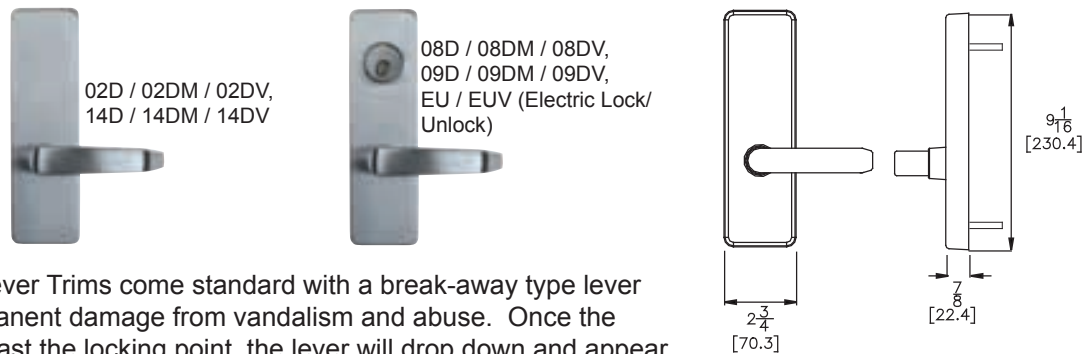
#### C/CM/CV TRIM

S Pull Standard



#### D/DM Trim

S Lever Standard

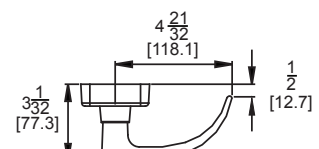
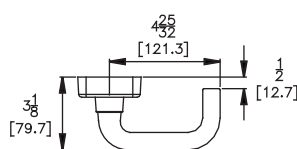
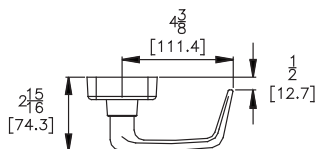


All Wide Stile Lever Trims come standard with a break-away type lever to prevent permanent damage from vandalism and abuse. Once the lever is forced past the locking point, the lever will drop down and appear broken. The internal disengaging clutch allows the lever to be reset by pulling it back to its original position.

S Lever

T Lever

U Lever



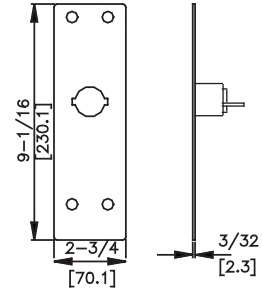
## W/WM Trim

W/WM Trim not available with 70 and 80 Series

01W / 01WM



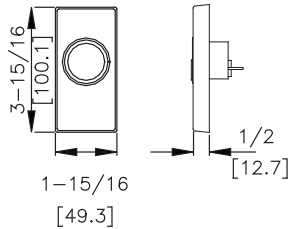
03W / 03WM



## WS/WSV Trim

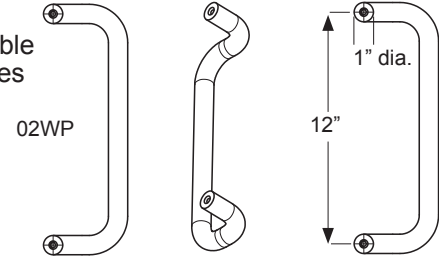
WS Trim not available with 30 Series

03WS / 03WSV



## WP Trim

WP Trim available with 70/80 Series only

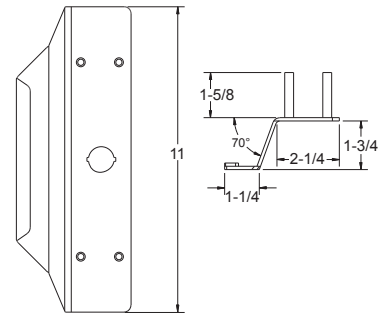


## Z Trim

02Z



03Z



## Z Trim

Z Trim (Vandal Pull) available with 10/20/21 Series only

## BHMA Function/Description

- 01 - Exit only, no trim or blank escutcheon
- 02 - Entrance by trim when actuating bar is locked down (dummy trim)
- 03 - Entrance by trim when latch bolt is released by key. Key removable only when locked.
- 08 - Entrance by knob or lever. Key locks or unlocks knob or lever.
- 09 - Entrance by knob or lever only when released by key. Key removable only when locked.
- 10 - Entrance by lever. Inside or outside key locks or unlocks lever.
- 14 - Entrance by trim when latch bolt is released by knob or lever. Always active, no cylinder.
- EU - Electric Lock/Unlock - Fail Secure (FSE) or Fail Safe (FSA)

## Finishes

605 / US3	Polished Brass	613 / US10B	Oil Rubbed Bronze
606 / US4	Brushed Brass	629 / US32	Polished Stainless Steel
611 / US9	Polished Bronze	630 / US32D	Brushed Stainless Steel

## Technical Information

- C and W Trims are Stainless Steel
- D and WS Trims are Forged Brass
- Wide stile trim configured for use with BP1 or BP7 (when ordered with 03 function) - standard on 10, 20/21 Series, BP11 or BP13 (when ordered with 03 function) - standard on 70, 80/81/82/83 Series Call factory for retrofit applications
- When ordered with device, trim will match mounting plate specified

Where Trust is Built™

**DETEX**®

Life Safety and Security Door Hardware

Detex Corporation  
302 Detex Drive  
New Braunfels, Texas 78130-3045 USA

PH. (830) 629-2900

(800) 729-3839

FAX (830) 620-6711

(800) 653-3839

<http://www.detex.com>

USA Sales:

[marketing@detex.com](mailto:marketing@detex.com)

International Sales:

[export@detex.com](mailto:export@detex.com)



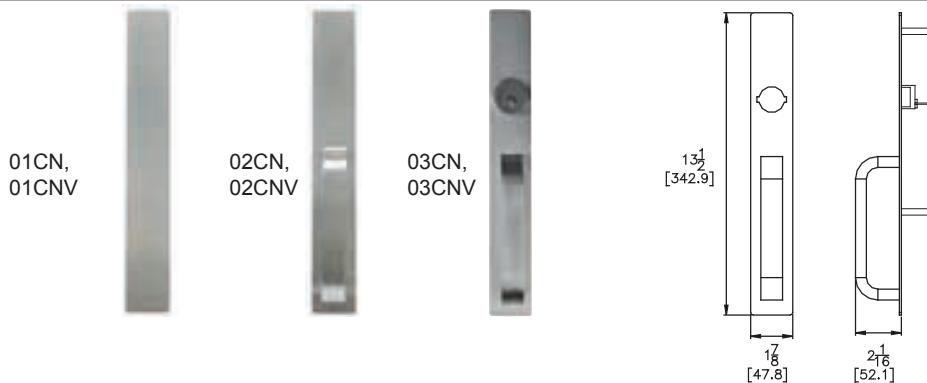
## NARROW STILE

### OUTSIDE TRIM DESIGNS

Assorted outside trims provide security for all types of installations. Built to be as durable as the panic devices, these heavy-duty trims will stand up to heavy use and abuse. The versatile design of the trims, combined with the device mounting plate, makes changing functions as simple as replacing the outside trim. This can easily be done without removing the exit device from the door. Narrow stile trims can be used on 40 Series Rim, 50 / 51 Series Surface Vertical Rods and 60 / 61 / 62 / 63 Concealed Vertical Rods. Detex uses the BHMA functions/descriptions for all trims.

#### CN / CNV TRIM

S Pull Standard



#### DN / DNV / EU2W Trim

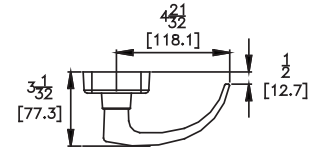
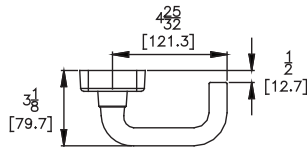
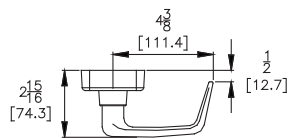
S Lever Standard



S Lever

T Lever

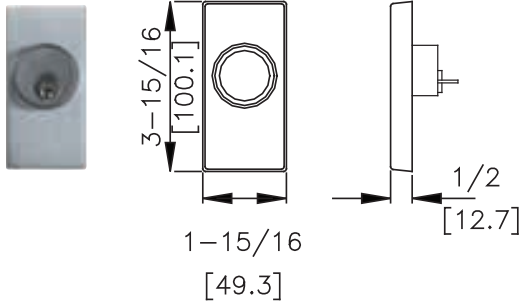
U Lever



## WS Trim

WS Trim not available with 60 Series

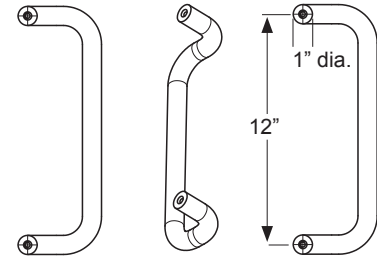
03WS



## WP Trim

WP Trim available with 60 Series only

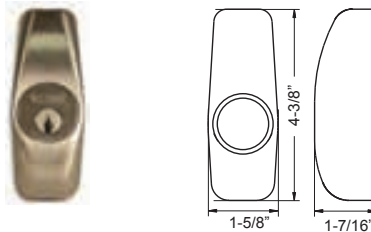
02WP



## R Trim

R Trim available with 60 Series only

03R



## BHMA Function/Description

- 01 - Exit only, no trim or blank escutcheon
- 02 - Entrance by trim when actuating bar is locked down (dummy)
- 03 - Entrance by trim when latch bolt is released by key. Key removable only when locked.
- 08 - Entrance by knob or lever. Key locks or unlocks knob or lever.
- 09 - Entrance by knob or lever only when released by key. Key removable only when locked.
- 10 - Entrance by lever. Inside or outside key locks or unlocks lever.
- 14 - Entrance by trim when latch bolt is released by knob or lever. Always active, no cylinder.
- EU2W - Electric Lock / Unlock, wide escutcheon - Fail Secure or Fail Safe

## Finishes

605 / US3	Polished Brass	612 / US10	Brushed Bronze	629 / US32	Polished Stainless Steel
606 / US4	Brushed Brass	613 / US10B	Oil Rubbed Bronze	630 / US32D	Brushed Stainless Steel
611 / US9	Polished Bronze				

## Technical Information

- CN Trims are Stainless Steel
- DN and WS Trims are Forged Brass
- Narrow stile trim configured for use with BP2 or BP8 (when ordered with 03 function) - Standard for use on 40, 50/51 Series, BP10 or BP12 (when ordered with 03 function) - Standard for use on 60/61, 62/63 Series  
Call factory for retrofit applications
- Advantex narrow stile trim also available for use with all Value Series Devices
- When ordered with device, trims will match mounting plate specified

*Where Trust is Built™*  
**DETEX®**  
*Life Safety and Security Door Hardware*

Detex Corporation  
 302 Detex Drive  
 New Braunfels, Texas 78130-3045 USA  
 PH. (830) 629-2900  
 (800) 729-3839  
 FAX (830) 620-6711  
 (800) 653-3839  
<http://www.detex.com>  
 USA Sales:  
[marketing@detex.com](mailto:marketing@detex.com)  
 International Sales:  
[export@detex.com](mailto:export@detex.com)



## EU, EUV or EUxDM

### ELECTRIC UNLOCK TRIM - for use with 10/20/21/30/70/71/80/81/82/83 Series Exit Device

Provides remote means of locking or unlocking a door for authorized entry, access control, security or safety needs when used in conjunction with any Detex wide stile rim (10 Series), surface vertical rod (20 Series), mortise (30 Series - specify EUxDM) or concealed vertical rod (70/71, 80/81, 82/83 Series - specify EUV) exit device. Excellent source of security for stairwell doors, elevator lobbies, or other access control systems used in installations in schools, universities, hospitals, retail, industrial, etc.



#### Benefits

- Retrofits over existing Detex lever trim
- Clutching trim limits vandalism
- Key override for emergency entrance during loss of power (FSE)

#### Features

- Cylinder override
- Spring loaded tailpiece
- Vandal resistant break-away type lever

#### Mechanical Options

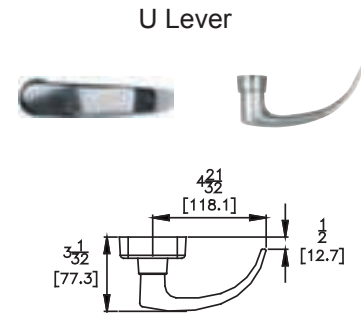
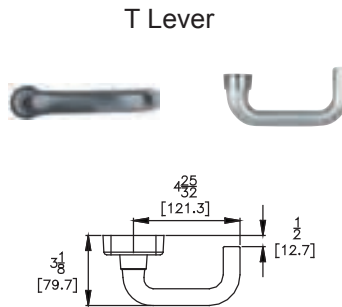
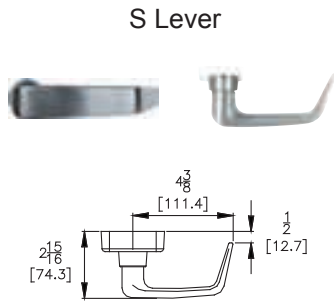
- Not Field Reversible
- EU - Comes standard as D Trim, with S style Lever and Fail Secure (FSE), for use with Detex wide stile (10 Series) Rim or (20 Series) Surface Vertical Rod Device
- EU x DT or DU - Comes with T style or U style lever, for use with Detex wide stile (10 Series) Rim or (20 Series) Surface Vertical Rod Device
- EUV - Comes standard as D Trim, with S style Lever and Fail Secure (FSE), for use with Detex wide stile (70/71, 80/81, 82/83 Series) Concealed Vertical Rod Device
- EUV x DT or DU - Comes with T style or U style lever, for use with Detex wide stile (70/71, 80/81, 82/83 Series) Concealed Vertical Rod Device
- EU x DM - Comes with S style lever, for use with Detex (30 Series) Mortise Exit Device
- EU x DMT or DMU - Comes with T style or U style lever, for use with Detex (30 Series) Mortise Exit Device

#### Electrical Options

- Fail Secure (FSE) - During power failure, device will be locked (Security option)  
ex: EU x FSE x DU
- Fail Safe (FSA) - During power failure, the trim will always be unlocked. (Life Safety option)  
ex: EU x FSA x DM
- Not Field Selectable
- Not Field Selectable



## Lever Options



## Accessories

- MC65 - Mortise Cylinder
- IC7 - 7-pin Mortise Cylinder Housing (Core not included)
- 80-800 - 24 VDC power supply with battery charging circuit
- 90-800 - 24 VDC power supply without battery charging circuit
- CCL - Long cylinder collar (11/16")
- SE-2 - Shaft extension for 2 to 2 1/2" thick doors

## Finishes

605 / US3 Polished Brass  
 606 / US4 Brushed Brass  
 611 / US9 Polished Bronze

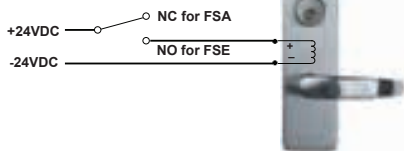
612 / US10 Brushed Bronze  
 613 / US10B Oil Rubbed Bronze

629 / US32 Polished Stainless Steel  
 630 / US32D Brushed Stainless Steel

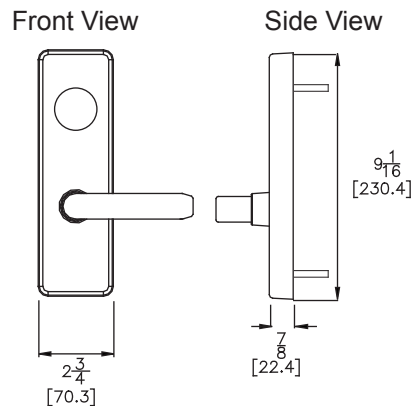
## Technical Information

- 24VDC / 150ma continuous duty

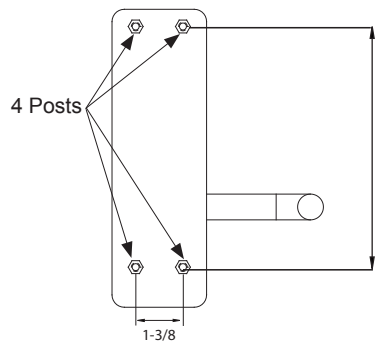
## Wiring Diagram



## Dimensions



## Back View



## Detex Limited Warranty

10 Year Mechanical/3 Year Electrical  
 Limited Manufacturer's Warranty

## Listings and Approvals

MIL-STD 810F (G), Method 509.4  
 (Salt Fog Test)

MIL-STD 810F (G), Method 506.4  
 (Driving Rain), Procedure 1

UL 1034-34 Temperature Section 34  
 [Temperature Range -31° F (-35° C) to  
 150° F (+66° C)]

UL 1034-54 Dust Section 54

*Where Trust is Built™*  
**DETEx**®  
*Life Safety and Security Door Hardware*

Detex Corporation  
 302 Detex Drive  
 New Braunfels, Texas 78130-3045 USA  
 PH. (830) 629-2900  
 (800) 729-3839  
 FAX (830) 620-6711  
 (800) 653-3839  
<http://www.detex.com>  
 USA Sales:  
[marketing@detex.com](mailto:marketing@detex.com)  
 International Sales:  
[export@detex.com](mailto:export@detex.com)



## EU2W

### ELECTRIC UNLOCK TRIM - for use with 40/50/51/V40/V50/V51 Series Exit Device

---

Provides remote means of locking or unlocking a door for authorized entry, access control, security or safety needs when used in conjunction with any Detex 40/V40 Series rim or 50/51/V50/V51 Series surface vertical rod exit device on doors with a minimum stile width of 4". Excellent source of security for access control systems used in installations in schools, universities, hospitals, retail, industrial, etc.



---

#### Benefits

- Clutching trim limits vandalism
- Key override for emergency entrance during loss of power (FSE)

---

#### Features

- Cylinder override
- Spring loaded tailpiece
- Vandal resistant break-away type lever

---

#### Mechanical Options

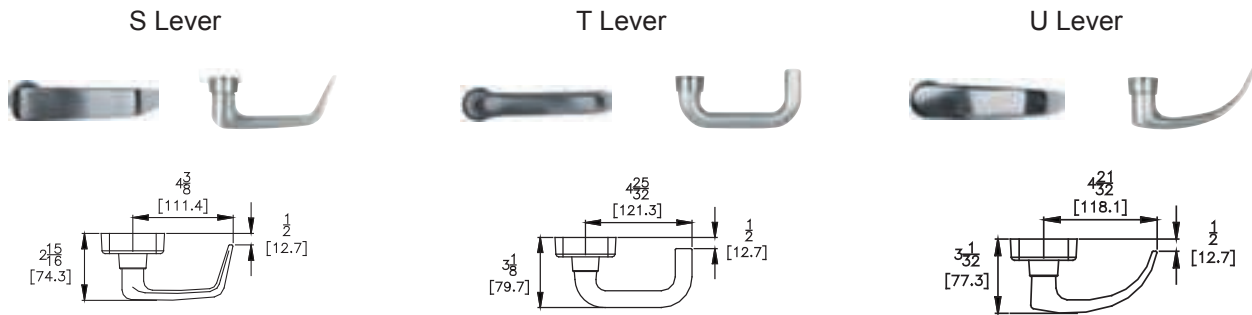
- Not Field Reversible
- EU2W - Comes standard as D Trim, with S style Lever and Fail Secure (FSE), for use with Detex 40/V40 Series Rim or 50/51/V50/V51 Series Surface Vertical Rod Device
- EU2W x DT or DU - Comes with T style or U style lever, for use with Detex 40/V40 Series Rim or 50/51/V50/V51 Series Surface Vertical Rod Device

---

#### Electrical Options

- Fail Secure (FSE) - During power failure, device will be locked (Security option)  
ex: EU x FSE
- Fail Safe (FSA) - During power failure, the trim will always be unlocked. (Life Safety option)  
ex: EU x FSA
- Not Field Selectable
- Not Field Selectable

## Lever Options



## Accessories

- MC65 - Mortise Cylinder
- IC7 - 7-pin Mortise Cylinder Housing (Core not included)
- 80-800 - 24 VDC power supply with battery charging circuit
- 90-800 - 24 VDC power supply without battery charging circuit
- CCL - Long cylinder collar (11/16")
- SE-2 - Shaft extension for 2 to 2 1/2" thick doors

## Finishes

605 / US3 Polished Brass  
 606 / US4 Brushed Brass  
 611 / US9 Polished Bronze

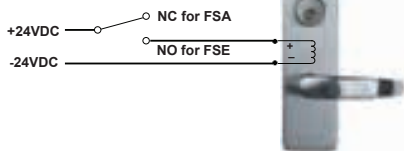
612 / US10 Brushed Bronze  
 613 / US10B Oil Rubbed Bronze

629 / US32 Polished Stainless Steel  
 630 / US32D Brushed Stainless Steel

## Technical Information

- 24VDC / 150ma continuous duty

## Wiring Diagram



## Listings and Approvals

MIL-STD 810F (G), Method 509.4  
 (Salt Fog Test)

MIL-STD 810F (G), Method 506.4  
 (Driving Rain), Procedure 1

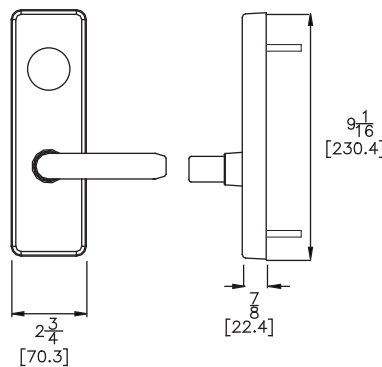
UL1034 - 34 Temperature Section 34  
 [Temperature Range -31° F (-35° C) to  
 150° F (+66° C)]

UL1034 - 54 Dust Section 54

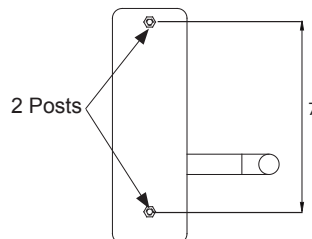
## Dimensions

Front View

Side View



Back View



## Detex Limited Warranty

10 Year Mechanical/3 Year Electrical  
 Limited Manufacturer's Warranty

*Where Trust is Built™*  
**DETEX®**  
*Life Safety and Security Door Hardware*

Detex Corporation  
 302 Detex Drive  
 New Braunfels, Texas 78130-3045 USA  
 PH. (830) 629-2900  
 (800) 729-3839  
 FAX (830) 620-6711  
 (800) 653-3839  
<http://www.detex.com>  
 USA Sales:  
[marketing@detex.com](mailto:marketing@detex.com)  
 International Sales:  
[export@detex.com](mailto:export@detex.com)



## Electrified Options Definitions

<b>EA</b>	Exit Alarm with 9VDC/12VAC, Remote Bypass and Remote Signal Relay
<b>ED</b>	Electric Dogging
<b>EE</b>	Electric Delayed Egress
<b>EExER</b>	Electric Delayed Egress with Latch Retraction
<b>EI</b>	Electric Integration - Includes ES Switches, piezo, key switch and 2 LEDs
<b>EM</b>	Electric Delayed Egress with Magnetic Lock
<b>ER</b>	Electric Latch Retraction
<b>ES/EX/EXV/ EXxW/LX</b>	Electric Switching and Signaling
<b>EU</b>	Electric Unlock Trim
<b>EU2W</b>	Electric Unlock Trim (Used on doors with 4" minimum stile width)

### Accessories

All Electrified Options are available on Fire Exit Hardware and Hurricane Rated Devices



## Exit Alarm (EA)

The Exit Alarm (EA) device option is designed for areas that require a stand-alone alarm on an emergency exit door. The alarm will sound when someone attempts to exit a door by depressing the pushpad, alerting management that violation has occurred. The internal alarm with remote signal and remote bypass capabilities is ideal for doors where both security and life safety are a concern.



Shown with Factory Installed Mortise Cylinder - Sold Separate

(10 Series Rim Exit Device shown - Available with 10/40 Rim, 30 Mortise, 20/21/50/51 Surface Vertical Rod Devices and 60/61/62/63/70/71/80/81/82/83 Concealed Vertical Rod Devices)

### Benefits

- Controls foot traffic, deters unauthorized exits, prevents loss and meets building code requirements
- Reduced employee and customer theft
- Fast and easy installation
- One cylinder provides arming, disarming and dogging
- Durable electronics provide years of trouble-free service, saving on replacement costs

### Features

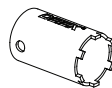
- Powered by standard 9-volt battery or 12V or 24V AC/DC power with 9-volt battery backup
- Arming delay - Factory default is 15 second delay after key reset. 1 second or 5 second delays also available. Call factory
- Mortise cylinder key switch arming
- 100dB alarm
- Manual/Auto Rearming - Factory default is field-selectable for manual key arming or 2 minute auto rearm. 10 minute and 20 minute auto rearm also available. Call Factory
- Through-wire hinge or power transfer compatible
- State-of-the-art electronics offer reliable security and instantaneous alarm
- Low Battery Alert (Audible/Visual)
- Visual and audible arming indicators

### Mechanical Options

- CD - Cylinder Dogging
- SLR - Silencer
- LD - Less Dogging
- KS - Key Stop (Key removed only when armed)
- Add to existing 10/20/21/30/40/50/51 device by adding EA slide-in filler (specify finish and door width)

### Accessories

- FCA - Flex Conduit End Cap Kit (End cap mounted)
- Optional Cylinder Nut Wrench P/N: 103779
- PP-5152-3 - 12 VAC Transformer
- AL18 - Surface Armored Loop (Door/Frame mounted)
- PT5 - Power Transfer
- PP-5152-2 - 24 VAC Transformer



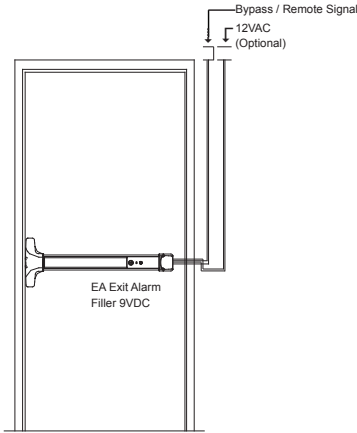
**Finishes (Advantex)**

605 / US3 Polished Brass  
 606 / US4 Brushed Brass  
 611 / US9 Polished Bronze  
 612 / US10 Brushed Bronze  
 613 / US10B Oil Rubbed Bronze

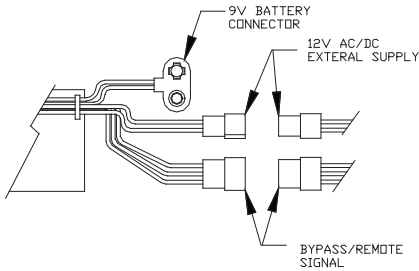
628 / US28 Aluminum Satin  
 629 / US32 Polished Stainless Steel  
 630 / US32D Brushed Stainless Steel

693 / SPBLK Black, Painted  
 695 / SP 313 Dark Bronze, Painted

**Riser Diagram**



**Power Connections**



**Listings and Approvals**  
(on 10 and 40 Series Devices)

- UL Listed  
Panic Hardware
- UL Listed Fire Exit Hardware for 3 hours, maximum  
4'x10' single doors and pairs of 4'x8' with F90KR key removable Mullion
- Meets ADA requirements
- UBC 97, Standard 7-2 and UL10C for positive pressure
- ANSI/BHMA certified A156.3
- Meets NFPA 80 & 101 for Life Safety
- Miami-Dade County, Florida  
NOA 10-0303.02 EXP. 04/07/15
- State of Florida Approval  
FL9052
- California State Fire Marshall -  
4140-0127:105 and  
3725-0127:108

**Listings and Approvals**  
(on 20/21/50/51 Series Devices)

- UL Listed  
Panic Hardware
- UL Listed Fire Exit Hardware for 3 hours, maximum  
4'x10' single doors and 8'x10' pairs of doors
- Meets ADA requirements
- UBC 97, Standard 7-2 and UL10C for positive pressure
- ANSI/BHMA certified A156.3
- Meets NFPA 80 & 101 for Life Safety
- California State Fire Marshall -  
4140-0127:105 & 3725-0127:108

**Detex Limited Warranty**

10 Year Mechanical/3 Year Electrical  
 Limited Manufacturer's Warranty



Detex Corporation  
 302 Detex Drive  
 New Braunfels, Texas 78130-3045 USA  
 PH. (830) 629-2900  
 (800) 729-3839  
 FAX (830) 620-6711  
 (800) 653-3839  
<http://www.detex.com>  
 USA Sales:  
[marketing@detex.com](mailto:marketing@detex.com)  
 International Sales:  
[export@detex.com](mailto:export@detex.com)



## Electric Dogging (ED)

---

The Electric Dogging (ED) device option is designed for entrance and exit doors with panic or fire exit hardware. When energized, and after the pushpad is depressed, the pushpad and the latch bolt remain retracted, providing push-pull operation. Relocking all devices is accomplished by using a single switch or through a fire alarm input.



(10 Series Rim Exit Device shown - Available with 10/40 Rim, 30 Mortise, 20/21/50/51 Surface Vertical Rod Devices and 60/61/62/63/70/71/80/81/82/83 Concealed Vertical Rod Devices)

---

### Benefits

- One-touch operation turns any secured door or group of doors into push-pull openings and releases them as required
- Door remains locked until first activation of pushpad (exit)
- Economical alternative to latch retraction when only dogging is required
- Simple mounting and wiring provide quick, trouble free installation, saving time and money
- Pushpad remains depressed while latch is retracted, preventing unnecessary cycling, for quieter operation

---

### Features

- Maintained latch and pushpad retraction
- Continuous duty magnet
- Operates on 24VAC or 24VDC

---

### Mechanical Options

- FC - Flex Conduit and End Cap
- AL-18 - Surface Armored Loop (Door/Frame mounted)

---

### Electrical Options

- Request to Exit (EX)
- 80-800 Power Supply - 24VDC filtered, regulated with fire loop connection
- PP-5152-2 24VAC Transformer

---

### Technical Information

- Fire rated devices require fire alarm panel interface for fire code compliance

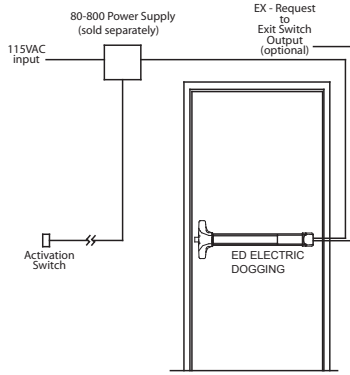
## Finishes (Advantex)

605 / US3 Polished Brass  
 606 / US4 Brushed Brass  
 611 / US9 Polished Bronze  
 612 / US10 Brushed Bronze  
 613 / US10B Oil Rubbed Bronze











628 / US28 Aluminum Satin  
 629 / US32 Polished Stainless Steel  
 630 / US32D Brushed Stainless Steel

693 / SPBLK Black, Painted  
 695 / SP 313 Dark Bronze, Painted









## Riser Diagram



## Listings and Approvals (on 10 and 40 Series Devices)

-  UL Listed  
Panic Hardware
-  UL Listed Fire Exit Hardware  
for 3 hours, maximum
-  UL Listed Fire Exit Hardware  
for 3 hours, maximum  
4'x10' single doors and pairs of  
4'x8' with F90KR key removable  
Mullion
-  Meets ADA requirements
-  UBC 97, Standard 7-2 and  
UL10C for positive pressure
-  ANSI/BHMA certified A156.3
-  Meets NFPA 80 & 101  
for Life Safety
-  Miami-Dade County, Florida  
NOA 10-0303.02 EXP. 04/07/15
-  State of Florida Approval  
FL9052
-  California State Fire Marshall -  
4140-0127:105 and  
3725-0127:108

## Listings and Approvals (on 20/21/50/51 Series Devices)

-  UL Listed  
Panic Hardware
-  UL Listed Fire Exit Hardware  
for 3 hours, maximum
-  UL Listed Fire Exit Hardware  
for 3 hours, maximum  
4'x10' single doors and  
8'x10' pairs of doors
-  Meets ADA requirements
-  UBC 97, Standard 7-2 and  
UL10C for positive pressure
-  ANSI/BHMA certified A156.3
-  Meets NFPA 80 & 101  
for Life Safety
-  California State Fire Marshall -  
4140-0127:105 & 3725-0127:108

## Detex Limited Warranty

10 Year Mechanical/3 Year Electrical  
 Limited Manufacturer's Warranty

*Where Trust is Built™*  
**DETEX®**  
*Life Safety and Security Door Hardware*

Detex Corporation  
 302 Detex Drive  
 New Braunfels, Texas 78130-3045 USA  
 PH. (830) 629-2900  
 (800) 729-3839  
 FAX (830) 620-6711  
 (800) 653-3839  
<http://www.detex.com>  
 USA Sales:  
[marketing@detex.com](mailto:marketing@detex.com)  
 International Sales:  
[export@detex.com](mailto:export@detex.com)





## Delayed Egress Rim Exit Device (EE)

The Delayed Egress Rim Exit Device (EE) is designed for **primary and secondary exits** and provides a secure **15-second delay** and a **100dB alarm** when someone attempts to exit. This 15-second delay allows time for management to respond to the alarm before someone exits and the alarm deters the exit from occurring. Per life safety requirements, the EE must be provided with a fire alarm input, thus providing a system override during a fire emergency. The EE provides security while meeting all life safety concerns, offering an exceptional value.



Power Supply Included as standard feature  
Shown with factory installed mortise cylinder

(10 Series Rim Exit Device shown - Available with 10/40 Rim, 30 Mortise, 20/21/50/51 Surface Vertical Rod Devices and 60/61/62/63/70/71/80/81/82/83 Concealed Vertical Rod Devices)

### Benefits

- Fast and easy installation
- Secure installation prevents mistakes, enhances security and reduces maintenance
- Fits almost any door in any décor
- Provides immediate egress while securing against entry during a power failure/fire alarm
- Durable design provides years of trouble-free protection, saving on replacement costs
- One cylinder provides arming, disarming and dogging
- Controls foot traffic, deters unauthorized exits, prevents loss and meets building code requirements
- Can be combined with ER Option and operator to provide Delayed Egress and an automatic door (See EExER Option)

### Features

- Powered by a 24VDC filtered and regulated power supply
- Panic Device and power supply have passed testing for electrostatic discharge (ESD) by an independent testing laboratory
- Power supply delivers a constant 24VDC of filtered and regulated voltage at a rated load of 1A, including ripple rejection and transient noise suppression circuitry
- Stainless steel, 3/4" deadlocking Pullman-type latch bolt
- Non-handed, field sizeable
- 100dB alarm
- 1/8 turn cylinder dogging
- Heavy-duty angled end-cap
- Heavy-duty ribbed aluminum rail extrusion
- Accommodates all types of mortise cylinders with a standard Yale cam
- Patented mounting plate and strike locator system provide perfect alignment with door and frame
- Single mortise cylinder provides arming and dogging - can be factory installed
- State-of-the-art electronics offer reliable security and instantaneous alarm
- Visual and audible arming indicators
- 9V battery provides alarm function only in case of power failure
- Armed and disarmed field selectable status indicator
- Delayed arming allows arming after door closes
- Remote signal output and remote bypass input standard
- Alarm triggered by latch bolt movement
- Fire alarm input can be connected at power supply or panic bar
- Includes delayed egress panic bar, 24VDC filtered and regulated power supply, and door sign

### Mechanical Options

- MC65 - Factory Installed Mortise cylinder
- IC7 - Factory Installed IC Housing
- F - 3-Hour Fire Rated
- H - Hurricane rating
- SLR - Silencer
- CD - Cylinder Dogging (Std.)
- LD - Less Dogging
- KS - Key Stop (Key removed only when armed)
- 36" Door Width (Std.)
- 48" Door Width
- 99 - Surface Strike (Std.)
- 98 - Semi Mortise Strike



## Electrical Options

- 30 - 30 second delayed egress available (must have letter from AHJ)

Other Advantex delayed egress panic devices include:

- Delayed Egress with Electromagnetic Lock (EM)

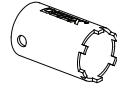
- AL18 - Surface Armored Loop (Door/Frame mounted)

- PT5 - Power Transfer
- SI- Status Indicators - Armed/Disarmed

## Accessories

- SN1 - Sex Nut fasteners

- Optional Cylinder Nut Wrench P/N: 103779



- Outside trim options (See Advantex Trim Options)

- Foreign Language Signs available Contact Factory

## Technical Information

- Door Types - Wood, Hollow Metal, Fiberglass or Aluminum

- Door Stile - See applicable device page

- Machine and Self-Drilling fasteners (Std.)

- Door Thickness - Fits standard 1 3/4" - 2 1/4"

- Optional Sex Nuts or Security Torx Screws available

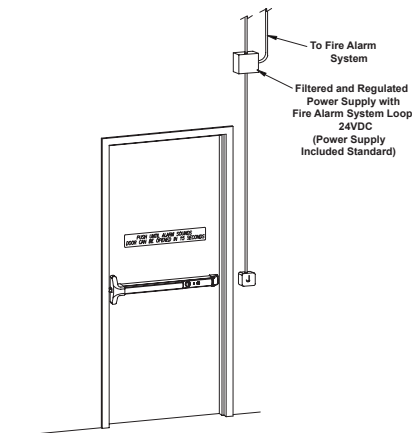
## Finishes (Advantex products)

605 / US3	Polished Brass
606 / US4	Brushed Brass
611 / US9	Polished Bronze
612 / US10	Brushed Bronze
613 / US10B	Oil Rubbed Bronze

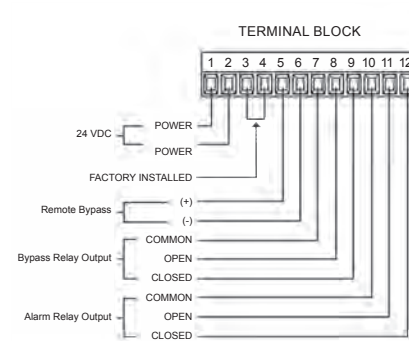
628 / US28	Aluminum Satin
629 / US32	Polished Stainless Steel
630 / US32D	Brushed Stainless Steel

693 / SPBLK	Black, Painted
695 / SP 313	Dark Bronze, Painted

## Riser Diagram



## Terminal Block

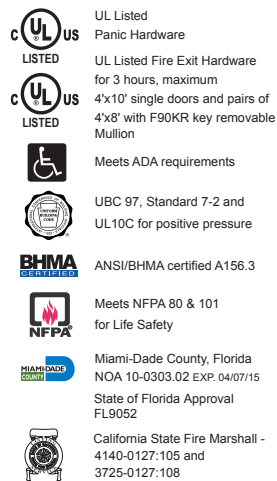


## Detex Limited Warranty

10 Year Mechanical/3 Year Electrical Limited Manufacturer's Warranty

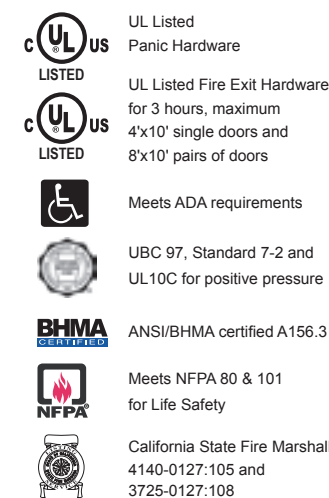
## Listings and Approvals

(on 10 and 40 Series Devices)



## Listings and Approvals

(on 20/21/50/51 Series Devices)



Detex Corporation  
 302 Detex Drive  
 New Braunfels, Texas 78130-3045 USA  
 PH. (830) 629-2900  
 (800) 729-3839  
 FAX (830) 620-6711  
 (800) 653-3839  
<http://www.detex.com>  
 USA Sales:  
[marketing@detex.com](mailto:marketing@detex.com)  
 International Sales:  
[export@detex.com](mailto:export@detex.com)



## Delayed Egress with Latch Retraction (EExER) (Patented)

Delayed Egress with Latch Retraction (EExER) is designed for applications where both delayed egress and remote unlocking, remote dogging, access control or an automatic door operator is desired. An optional EX Request to Exit Switch may be added for push pad monitoring or LX Switch for latch bolt monitoring. The 100 dB alarm, will sound when someone attempts to exit but the door will remain locked for 15 seconds, deterring unauthorized exits and providing time to respond to the alarm. Ideal for restricted areas, access controlled doors, and any door requiring authorized entry or exit, while preventing unauthorized entry or exit. Perfect for fire-rated, cross corridor, access controlled, delayed egress doors with automatic operators, all without using magnetic locks or electric strikes.



(10 Series Rim Exit Device shown - Available with 10/40 Rim, 30 Mortise, 20/21/50/51 Surface Vertical Rod Devices and 60/61/62/63/70/71/80/81/82/83 Concealed Vertical Rod Devices)

### Benefits

- All delayed egress and access control functions are implemented in the exit device, no external magnets, electric strikes or electric trims are needed
- 15-second delay prevents unauthorized exit, reduces theft and protects those trying to exit
- Use of any access control system and latch retraction allows entry/exit for any authorized card holder
- Required fire alarm input provides life safety override for immediate exit during a fire emergency
- Easy-to-operate with visual and audible arming indicators
- Simple mounting and wiring provide quick, trouble-free and secure installation saving time and money
- Available as stand-alone or fully-integrated EasyKit

### Features

- Heavy-duty, Grade 1 exit device stands up to extreme high traffic conditions
- 100dB alarm demands attention, even in noisy environments, helping prevent unauthorized exits
- Wall mounted remote interface module with red/green LEDs provide visual arming indication
- Automatic rearm occurs after authorized entry and exit
- Through-wire hinge or power transfer compatible
- Available in various finishes and with assorted trims to fit any application or décor

### Mechanical Options

- FC - Flex Conduit and End Cap (ex. 10xEExERxFC)
- KS - Key Stop, key removed only when armed
- Optional Cylinder Nut Wrench P/N: 103779
- AL18 - Surface Armored Loop (Door/Frame Mounted)
- Foreign Language Signs Available - Contact Factory



### Electrical Options

- Request to Exit Switch (EX)
- 30 - 30 Second Delayed Egress (ex. 10xEExERx30)
- LX - Latch Bolt Monitor / Latch Secure Switch



## Technical Information

### EExER Panic Device:

- Power and logic requirements supplied by 84-800 Logic Controller and Power Supply designed for single door application
- 85-800 Logic Controller and Power Supply designed for double door applications
- 84-800 amp draws at 1.2 Amps @ 24 VDC
- 85-800 amp draws at 2.5 Amps @ 24 VDC
- Fire alarm input - Requires a closed contact (when powered) of a locally approved fire alarm system

### Remote Interface Module:

- Wall mounted
- Detachable plug-in terminal strip
- Dummy cylinder included
- May also be used with 5, 6 or 7-pin standard and interchangeable core cylinder
- Available in Surface or Flush mount
- Available in Gray or Black Finish

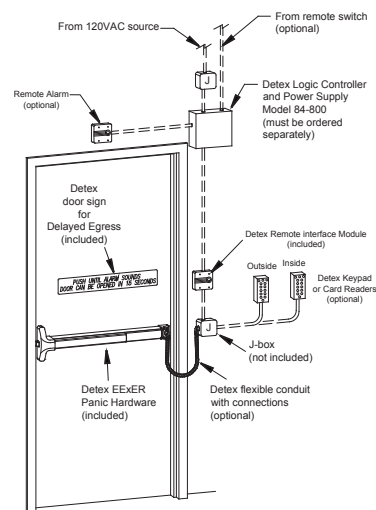
### 84-800 / 85-800 Logic Controller and Power Supply

- Remote bypass output - .5A@24VAC/VDC Max.
- Remote bypass input







### Device Finishes

605 / US3	Polished Brass	628 / US28	Aluminum Satin	693 / SPBLK	Black, Painted
606 / US4	Brushed Brass	629 / US32	Polished Stainless Steel	695 / SP 313	Dark Bronze, Painted
611 / US9	Polished Bronze	630 / US32D	Brushed Stainless Steel		
612 / US10	Brushed Bronze				
613 / US10B	Oil Rubbed Bronze				

### Riser Diagram



### Listings and Approvals

-  UL Listed  
Panic Hardware
-  UL Listed  
UL Listed Fire Exit Hardware for 3 hours, maximum  
4'x10' single doors and pairs of  
4'x8' with F90KR key removable Mullion
-  Meets ADA requirements
-  UBC 97, Standard 7-2 and  
UL10C for positive pressure
-  BHMA CERTIFIED  
ANSI/BHMA certified A156.3,  
A156.2-2001 and A156.24
-  Meets NFPA 80 & 101  
for Life Safety

### Detex Limited Warranty

10 Year Mechanical/3 Year Electrical  
Limited Manufacturer's Warranty

*Where Trust is Built™*  
**DETEX®**  
*Life Safety and Security Door Hardware*

Detex Corporation  
302 Detex Drive  
New Braunfels, Texas 78130-3045 USA  
PH. (830) 629-2900  
(800) 729-3839  
FAX (830) 620-6711  
(800) 653-3839  
<http://www.detex.com>  
USA Sales:  
[marketing@detex.com](mailto:marketing@detex.com)  
International Sales:  
[export@detex.com](mailto:export@detex.com)



## Electric Integration (EI)

The Electric Integration device, designed for applications where electric integration is required, provides the customer with a means of integration to new or existing systems, including the Detex Series 800 Logic Controller. The customer may select from these components to integrate and create different functions from the single product package. This variety of components offers an alarm to sound, monitor the latch bolt position and/or pushpad when depressed, signals a remote panel by key switch operation when activated from inside or outside authorization, and offers 2 LED's to enhance required functions. The operation of switches will open or close (SPDT) to integrate with digital video recorders, remote alarms, strobe lights, or commence the cycle in a separate delayed egress system.



Shown with Factory Installed Mortise Cylinder - Sold Separate

**10 Series Rim Exit Device shown**  
Available with all Advantex rim (10/40) and mortise (30)

### Benefits

- Fast and easy installation
- Multiple switching choices for ease-of-use
- Durable electronics provide years of trouble free service, saving on replacement costs
- Controls foot traffic, deters unauthorized exits, prevents loss and meets building code requirements
- Integrate with logic controllers, power supplies and most security equipment, to provide reliable, integrated loss prevention protection

### Features

- State-of-the-art electronics for reliable instantaneous switch activation
- Mortise cylinder key switch output (Form C)
- Simple "plug-in" header type terminal strip located near end-cap for easy installation
- Tamper resistant switching monitors dead latch and outside trim input
- Cylinder dogging (Std.) except with fire rated devices
- Dual LED visual arming indicators (one red, one green)
- 100dB Piezo Alarm
- Pushpad/Latch bolt position switch outputs
- All switching capable of handling 12 or 24 Volts AC or DC
- Authorized access switch output
- Code-compliant door sign (English)
- (3) Standard SPDT (Form C) switches


### Mechanical Options

- LD - Less Dogging
- H - Hurricane Rated
- KS - Key Stop - key removed only when armed
- F - 3-Hour Fire Rated

### Electrical Options

- 10-800 or 11-800 Logic Controller and Power Supply for Electric Integration (required but not included)

## Accessories

- FC - Flex Conduit and End Cap Fitting
- MC65 - Pre-installed Mortise Cylinder
- IC7 - Pre-installed Interchangeable Core Cylinder
- SSK - Security Torx Screws
- SN1 - Sex Nuts
- AL18 - Surface Armored Loop (door/frame mount)
- PT5 - Power Transfer
- EWH8-626 - Electric Wire Hinge
- Optional Cylinder Nut Wrench P/N: 103779 
- Foreign Language Signs available

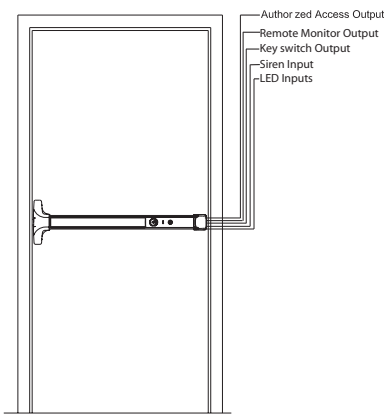
## Technical Information

- Detachable plug-in terminal strip
- Switch jumpers for NO/NC contacts
- Machine and self-drilling screws (Std.)
- Through-wire hinge or power transfer compatible

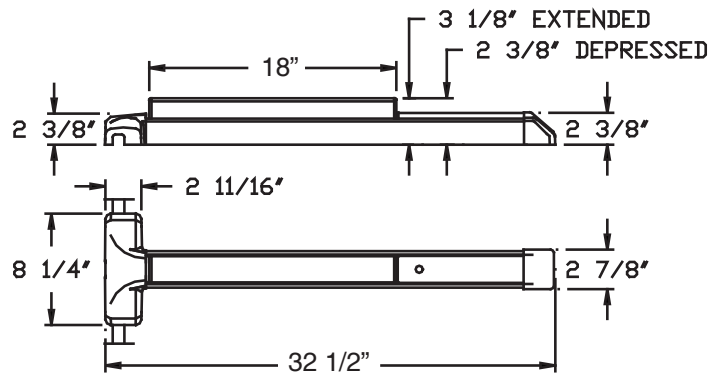
## Finishes (Advantex)

605 / US3	Polished Brass	628 / US28	Aluminum Satin	693 / SPBLK	Black, Painted
606 / US4	Brushed Brass	629 / US32	Polished Stainless Steel	695 / SP 313	Dark Bronze, Painted
611 / US9	Polished Bronze				
612 / US10	Brushed Bronze				
613 / US10B	Oil Rubbed Bronze	630 / US32D	Brushed Stainless Steel		

## Riser Diagram



## Dimensions



## Listings and Approvals (on 10 and 40 Series Devices)

- UL Listed Panic Hardware
- UL Listed Fire Exit Hardware for 3 hours, maximum
- 4"x10' single doors and pairs of 4"x8' with F90KR key removable Mullion
- Meets ADA requirements
- UBC 97, Standard 7-2 and UL10C for positive pressure
- ANSI/BHMA certified A156.3
- Meets NFPA 80 & 101 for Life Safety
- Miami-Dade County, Florida NOA 10-0303.02 EXP. 04/07/15
- State of Florida Approval FL9052
- California State Fire Marshall - 4140-0127-105 and 3725-0127-108

## Listings and Approvals (on 20/21/50/51 Series Devices)

- UL Listed Panic Hardware
- UL Listed Fire Exit Hardware for 3 hours, maximum
- 4"x10' single doors and 8"x10' pairs of doors
- Meets ADA requirements
- UBC 97, Standard 7-2 and UL10C for positive pressure
- ANSI/BHMA certified A156.3
- Meets NFPA 80 & 101 for Life Safety
- California State Fire Marshall - 4140-0127-105 & 3725-0127-108

## Detex Limited Warranty

10 Year Mechanical/3 Year Electrical Limited Manufacturer's Warranty

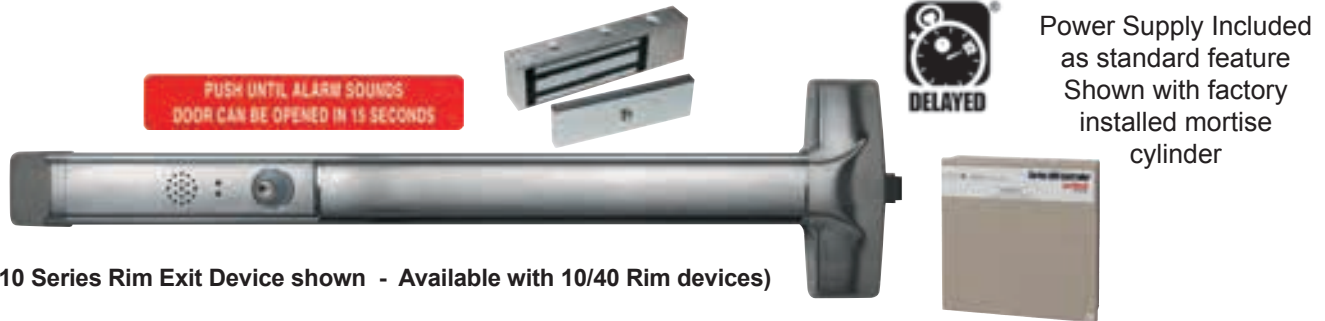
*Where Trust is Built™*  
**DETEX®**  
*Life Safety and Security Door Hardware*

Detex Corporation  
 302 Detex Drive  
 New Braunfels, Texas 78130-3045 USA  
 PH. (830) 629-2900  
 (800) 729-3839  
 FAX (830) 620-6711  
 (800) 653-3839  
<http://www.detex.com>  
 USA Sales:  
[marketing@detex.com](mailto:marketing@detex.com)  
 International Sales:  
[export@detex.com](mailto:export@detex.com)



## Delayed Egress with Magnetic Locking (EM)

The Delayed Egress Magnetic Locking (EM) option provides a secure 2-point locking device with 15-second delay and a 100dB alarm when someone attempts to exit. This delay allows those in charge the time to respond to the alarm before a potential violation occurs. The Delayed Egress Magnetic Locking option device must be wired to the fire alarm (sprinkler system, smoke detection, etc.) that allows a system override in the event of a fire emergency situation, per building code requirements. Provides exceptional security without forfeiting life safety for retail establishments, schools, universities, hospitals, manufacturing facilities, etc.



(10 Series Rim Exit Device shown - Available with 10/40 Rim devices)

Power Supply Included as standard feature  
Shown with factory installed mortise cylinder

### Benefits

- Fast and easy installation
- 2-point locking provides tandem-holding force of latch bolt (1400 lb) and electromagnetic lock (1500 lb)
- Durable design provides years of trouble-free protection
- Reduces employee and customer theft
- One cylinder provides arming, disarming and dogging
- Controls foot traffic, deters unauthorized exits, prevents loss and meets code requirements
- Fits almost any door in any décor

### Features

- Powered by a 24VDC filtered and regulated power supply
- Panic Device and power supply have passed testing for electrostatic discharge (ESD) by an independent testing laboratory
- Power supply delivers a constant 24VDC of filtered and regulated voltage at a rated load of 1A, including ripple rejection and transient noise suppression circuitry
- Stainless steel, 3/4" deadlocking Pullman-type latch bolt
- Non-handed, field sizeable
- 100dB alarm
- 1/8 turn cylinder dogging
- Heavy-duty angled end-cap
- Heavy-duty ribbed aluminum rail extrusion
- Accommodates all types of mortise cylinders with a standard Yale cam
- Patented mounting plate and strike locator system provide perfect alignment with door and frame
- Single mortise cylinder provides arming and dogging - can be factory installed
- State-of-the-art electronics offer reliable security and instantaneous alarm
- Visual and audible arming indicators
- 9V battery provides alarm function only in case of power failure
- Armed and disarmed field selectable status indicator
- Delayed arming allows arming after door closes
- Remote signal output and remote bypass input standard
- Alarm triggered by latch bolt movement
- Fire alarm input can be connected at power supply or panic bar
- Includes delayed egress panic bar, 24VDC filtered and regulated power supply, 1500 lb electromagnetic lock and door sign

### Mechanical Options

- MC65 - Factory Installed Mortise cylinder
- IC7 - Factory Installed IC Housing
- FC - Flex Conduit and End Cap
- F - 3 Hour Fire Rating
- H - Hurricane rating
- CD - Cylinder Dogging (Std.)
- LD - Less Dogging
- KS - Key Stop (Key removed only when armed)
- 36" Door Width (Std.)
- 48" Door Width
- 99 - Surface Strike (Std.)
- 98 - Semi Mortise Strike



## Electrical Options

- 30 Second Delayed Egress (must have letter from AHJ)
- AL18 - Surface Armored Loop (Door/Frame mounted)
- PT5 - Power Transfer

## Accessories

- SN1 - Sex Nut fasteners
- Outside trim options (See Advantex Trim Options)
- Foreign Language Signs available Contact Factory

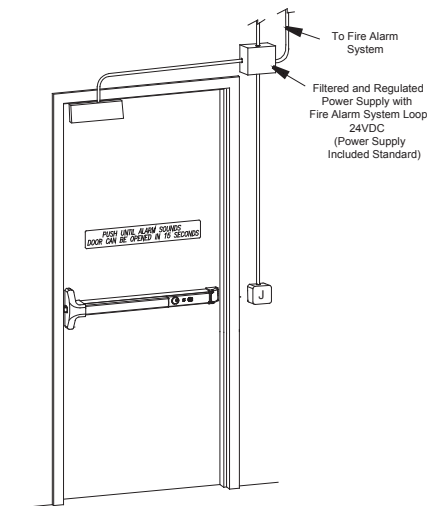
## Technical Information

- Door Types - Wood, Hollow Metal, Fiberglass or Aluminum
- Door Stile - See applicable device page
- Machine and Self-Drilling fasteners (Std.)
- Door Thickness - Fits standard 1 3/4" - 2 1/4"
- Optional Sex Nuts or Security Torx Screws available

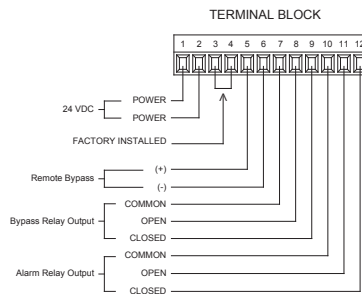
## Finishes (Advantex)

605 / US3	Polished Brass	628 / US28	Aluminum Satin	693 / SPBLK	Black, Painted
606 / US4	Brushed Brass	629 / US32	Polished Stainless Steel	695 / SP 313	Dark Bronze, Painted
611 / US9	Polished Bronze				
612 / US10	Brushed Bronze	630 / US32D	Brushed Stainless Steel		
613 / US10B	Oil Rubbed Bronze				

## Riser Diagram



## Terminal Block



## Listings and Approvals (on 10 and 40 Series Devices)

- UL Listed Panic Hardware
- UL Listed Fire Exit Hardware for 3 hours, maximum 4'x10' single doors and pairs of 4'x8' with F90KR key removable Mullion
- Meets ADA requirements
- UBC 97, Standard 7-2 and UL10C for positive pressure
- ANSI/BHMA certified A156.3
- Meets NFPA 80 & 101 for Life Safety
- Miami-Dade County, Florida NOA 10-0303.02 EXP. 04/07/15 State of Florida Approval FL9052
- California State Fire Marshall - 4140-0127:105 and 3725-0127:108

## Detex Limited Warranty

10 Year Mechanical/3 Year Electrical Limited Manufacturer's Warranty

*Where Trust is Built™*  
**DETEX®**  
*Life Safety and Security Door Hardware*

Detex Corporation  
 302 Detex Drive  
 New Braunfels, Texas 78130-3045 USA  
 PH. (830) 629-2900  
 (800) 729-3839  
 FAX (830) 620-6711  
 (800) 653-3839  
<http://www.detex.com>  
 USA Sales:  
[marketing@detex.com](mailto:marketing@detex.com)  
 International Sales:  
[export@detex.com](mailto:export@detex.com)





## Electric Latch Retraction (ER)

---

The Electric Latch Retraction (ER) function is designed for entrance and exit doors with panic or fire exit hardware where remote unlocking, remote dogging, access control or automatic door operator is desired. An optional EX switch may be added to pushpad monitoring.



(10 Series Rim Exit Device shown - Available with 10/40 Rim, 30 Mortise, 20/21/50/51 Surface Vertical Rod Devices and 60/61/62/63/70/71/80/81/82/83 Concealed Vertical Rod Devices)

---

### Benefits

- Works with any type of access control system
- Simultaneous pushpad and latch bolt retraction provides smooth surface with no catch points
- Provides a means for remote dogging and lock-down
- Fast and easy installation

---

### Features

- Low voltage with no high power in-rush
- Momentary or maintained latch and pushpad retraction
- Long term dogging capability
- Continuous duty motor for quiet operation - no solenoid
- Simultaneous latch and pushpad retraction
- Switches to monitor pushpad, latch bolt and outside trim input

---

### Mechanical Options

- FC - Flex Conduit and End Cap
- AL18 - Surface Armored Loop (door/frame mounted)
- PT5 - Power Transfer

---

### Electrical Options

- Latch Retraction power supplies are required and sold separately
- 81-800 - Power Supply for single door
- 82-800 - Power Supply for pair of doors
- 83-800 - Power Supply for two independent doors
- EX Exit Switch - Pushpad monitor switch
- LX - Latch bolt monitor / Latch Secure Switch

---

### Technical Information

- Voltage 24VDC

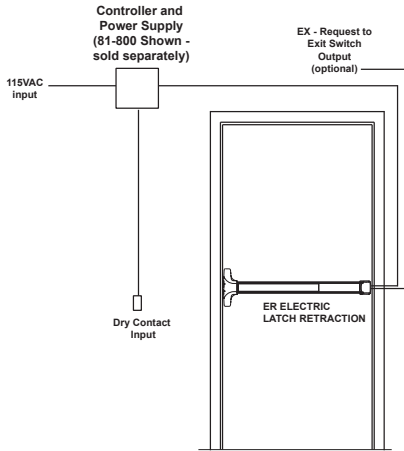
## Finishes (Advantex)

605 / US3 Polished Brass  
 606 / US4 Brushed Brass  
 611 / US9 Polished Bronze  
 612 / US10 Brushed Bronze  
 613 / US10B Oil Rubbed Bronze

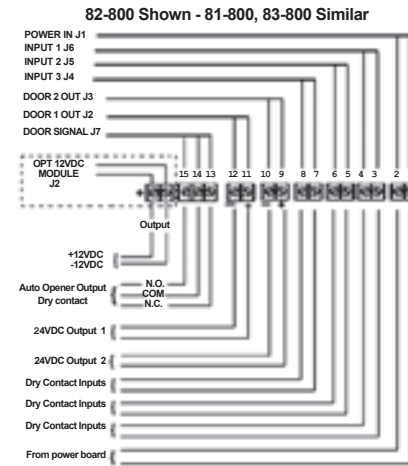
628 / US28 Aluminum Satin  
 629 / US32 Polished Stainless Steel  
 630 / US32D Brushed Stainless Steel

693 / SPBLK Black, Painted  
 695 / SP 313 Dark Bronze, Painted

## Riser Diagram



## Riser Diagram



## Detex Limited Warranty

10 Year Mechanical/3 Year Electrical Limited Manufacturer's Warranty

## Listings and Approvals

(on 10 and 40 Series Devices)

- UL Listed Panic Hardware
- UL Listed Fire Exit Hardware for 3 hours, maximum
- UL Listed Fire Exit Hardware for 4x10' single doors and pairs of 4x8' with F90KR key removable Mullion
- Meets ADA requirements
- UBC 97, Standard 7-2 and UL10C for positive pressure
- ANSI/BHMA certified A156.3
- Meets NFPA 80 & 101 for Life Safety
- Miami-Dade County, Florida NOA 10-0303.02 EXP. 04/07/15
- State of Florida Approval FL9052
- California State Fire Marshall - 4140-0127:105 and 3725-0127:108

## Listings and Approvals

(on 20/21/50/51 Series Devices)

- UL Listed Panic Hardware
- UL Listed Fire Exit Hardware for 3 hours, maximum
- UL Listed Fire Exit Hardware for 4x10' single doors and 8x10' pairs of doors
- Meets ADA requirements
- UBC 97, Standard 7-2 and UL10C for positive pressure
- ANSI/BHMA certified A156.3
- Meets NFPA 80 & 101 for Life Safety
- California State Fire Marshall - 4140-0127:105 & 3725-0127:108

Where Trust is Built™  
**DETEX**®  
 Life Safety and Security Door Hardware

Detex Corporation  
 302 Detex Drive  
 New Braunfels, Texas 78130-3045 USA  
 PH. (830) 629-2900  
 (800) 729-3839  
 FAX (830) 620-6711  
 (800) 653-3839  
 http://www.detex.com  
 USA Sales:  
 marketing@detex.com  
 International Sales:  
 export@detex.com



## Switching & Signaling Options

---

### ES - Electric Switching

The Electric Switching (ES) option includes two switches; one to monitor the latch bolt position and the other to monitor mechanical access from the exterior. It is designed for doors that require a means of indicating when the latch bolt is retracted while providing an alarm inhibit when using key entry. Always used in conjunction with other security systems, the Advantex ES function provides switch jumpers to field select either normally closed or normally open contacts that can provide a signal to a variety of different components such as remote alarm or a central station.

**Available with 10/40 Series Rim Exit Devices**

---

### EX - Request to Exit

The Request to Exit (EX) signaling option is used on exit doors with panic or fire exit hardware. This option indicates when the pushpad is depressed sending a signal to an alarm or sends a remote signal to monitor egress conditions.

**Available with 10/40 Series Rim, 30 Series Mortise, 20/21/50/51 Series Surface Vertical Rod and 60/61/62/63/70/71/80/81/82/83 Series Concealed Vertical Rod Devices**

---

### EXxW - Weatherized Request to Exit



For use on doors or gates that require a means of signaling when someone depresses the pushpad on the panic device during egress in a moist, outdoor or other such application.

Always used in conjunction with other security items, the EXxW provides a normally closed or normally open contact signal to a logic controller. The controller will turn on a remote horn or strobe, control a magnetic lock during egress or initiate a delayed egress system. The EXxW is UL listed as panic and fire exit hardware as well as UBC standard 7-2 (positive pressure).

The EXxW meets the following standards: Mil 810F(G), 509.4 - Salt Fog, Mil 810F(G), 506.4 - Driving Rain Procedure 1, UL1034-34 Temperature Section 34 [Temperature Range -31° F (-35° C) to 151° F (+66° C)], and UL-1034-54 Dust Section 543. Available with 10/40 Series Rim, 30 Series Mortise and 20/21/50/51 Series Surface Vertical Rod Devices

---

### EXV - Request to Exit High Current / Voltage

The Request to Exit High Current switching option, can be used to control power to a device that requires higher current up to 2.0 amperes; such as an electro-magnetic lock, electric strike or motor.

**Available with 10/40 Series Rim, 30 Series Mortise, 20/21/50/51 Series Surface Vertical Rod and 60/61/62/63/70/71/80/81/82/83 Series Concealed Vertical Rod Devices**

---

Also available -

### EXVxW (Weatherized Request to Exit High Current / Voltage)

The EXVxW meets the following standards: Mil 810F(G), 509.4 - Salt Fog, Mil 810F(G), 506.4 - Driving Rain Procedure 1, UL1034-34 Temperature Section 34 [Temperature Range -31° F (-35° C) to 151° F (+66° C)],

and UL-1034-54 Dust Section 54. Available with 10/40 Series Rim, 30 Series Mortise, and 20/21/50/51 Series Surface Vertical Rod Devices



## **LX - Latch Bolt Monitor**

---

The Latch Bolt Monitor (LX) offers an internally mounted signal switch that monitors the position of the latch bolt. When used in conjunction with a door position switch, the Advantex Latch Bolt Monitor Switch (LX) can be used to insure a door is secure, signal when a door is opened and closed or send an alert when someone attempts to tamper with the latch bolt. Common uses would include signalling a security guard or nurses station. When an Advantex device is used on an opening with an automatic operator the LX can signal when the latch is retracted before the operator opens the door.

**Available with 10/40 Series Rim Exit Devices**

The **LX(V)** can be combined with the optional Advantex ER, electric latch retraction, as well as many electrified options including, EA, ED, EE, EExER, EX, EXV, AND EXxW.

**Available with 10/40 Series Rim Exit Devices**



Detex Corporation  
302 Detex Drive  
New Braunfels, Texas 78130-3045 USA  
PH. (830) 629-2900  
(800) 729-3839  
FAX (830) 620-6711  
(800) 653-3839  
<http://www.detex.com>  
USA Sales:  
[marketing@detex.com](mailto:marketing@detex.com)  
International Sales:  
[export@detex.com](mailto:export@detex.com)



## EU, EUV or EUxDM

### ELECTRIC UNLOCK TRIM - for use with 10/20/21/30/70/71/80/81/82/83 Series Exit Device

Provides remote means of locking or unlocking a door for authorized entry, access control, security or safety needs when used in conjunction with any Detex wide stile rim (10 Series), surface vertical rod (20 Series), mortise (30 Series - specify EUxDM) or concealed vertical rod (70/71, 80/81, 82/83 Series - specify EUV) exit device. Excellent source of security for stairwell doors, elevator lobbies, or other access control systems used in installations in schools, universities, hospitals, retail, industrial, etc.



#### Benefits

- Retrofits over existing Detex lever trim
- Clutching trim limits vandalism
- Key override for emergency entrance during loss of power (FSE)

#### Features

- Cylinder override
- Spring loaded tailpiece
- Vandal resistant break-away type lever

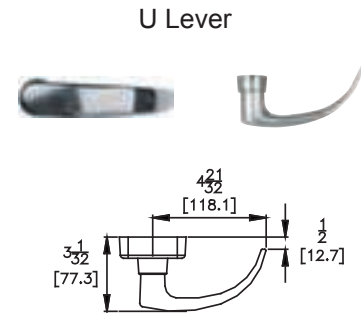
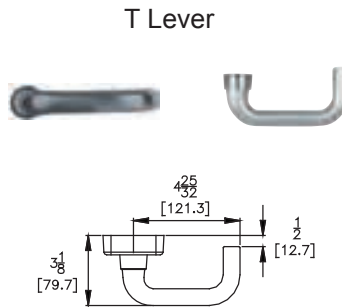
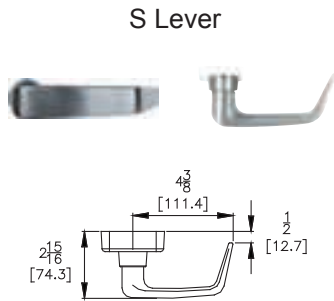
#### Mechanical Options

- Not Field Reversible
- EU - Comes standard as D Trim, with S style Lever and Fail Secure (FSE), for use with Detex wide stile (10 Series) Rim or (20 Series) Surface Vertical Rod Device
- EU x DT or DU - Comes with T style or U style lever, for use with Detex wide stile (10 Series) Rim or (20 Series) Surface Vertical Rod Device
- EUV - Comes standard as D Trim, with S style Lever and Fail Secure (FSE), for use with Detex wide stile (70/71, 80/81, 82/83 Series) Concealed Vertical Rod Device
- EUV x DT or DU - Comes with T style or U style lever, for use with Detex wide stile (70/71, 80/81, 82/83 Series) Concealed Vertical Rod Device
- EU x DM - Comes with S style lever, for use with Detex (30 Series) Mortise Exit Device
- EU x DMT or DMU - Comes with T style or U style lever, for use with Detex (30 Series) Mortise Exit Device

#### Electrical Options

- Fail Secure (FSE) - During power failure, device will be locked (Security option)  
ex: EU x FSE x DU
- Fail Safe (FSA) - During power failure, the trim will always be unlocked. (Life Safety option)  
ex: EU x FSA x DM
- Not Field Selectable
- Not Field Selectable

## Lever Options



## Accessories

- MC65 - Mortise Cylinder
- IC7 - 7-pin Mortise Cylinder Housing (Core not included)
- 80-800 - 24 VDC power supply with battery charging circuit
- 90-800 - 24 VDC power supply without battery charging circuit
- CCL - Long cylinder collar (11/16")
- SE-2 - Shaft extension for 2 to 2 1/2" thick doors

## Finishes

605 / US3 Polished Brass  
 606 / US4 Brushed Brass  
 611 / US9 Polished Bronze

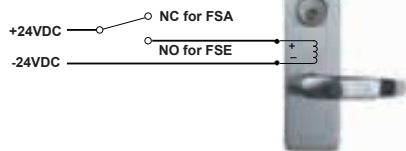
612 / US10 Brushed Bronze  
 613 / US10B Oil Rubbed Bronze

629 / US32 Polished Stainless Steel  
 630 / US32D Brushed Stainless Steel

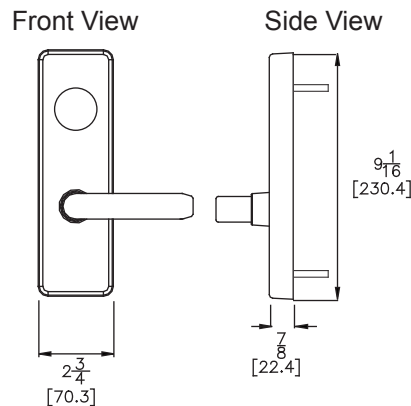
## Technical Information

- 24VDC / 150ma continuous duty

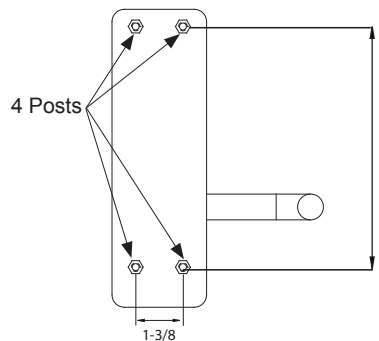
## Wiring Diagram



## Dimensions



## Back View



## Detex Limited Warranty

10 Year Mechanical/3 Year Electrical  
 Limited Manufacturer's Warranty

## Listings and Approvals

MIL-STD 810F (G), Method 509.4  
 (Salt Fog Test)

MIL-STD 810F (G), Method 506.4  
 (Driving Rain), Procedure 1

UL 1034-34 Temperature Section 34  
 [Temperature Range -31° F (-35° C) to  
 150° F (+66° C)]

UL 1034-54 Dust Section 54

*Where Trust is Built™*  
**DETEx®**  
*Life Safety and Security Door Hardware*

Detex Corporation  
 302 Detex Drive  
 New Braunfels, Texas 78130-3045 USA  
 PH. (830) 629-2900  
 (800) 729-3839  
 FAX (830) 620-6711  
 (800) 653-3839  
<http://www.detex.com>  
 USA Sales:  
[marketing@detex.com](mailto:marketing@detex.com)  
 International Sales:  
[export@detex.com](mailto:export@detex.com)



## EU2W

### ELECTRIC UNLOCK TRIM - for use with 40/50/51/V40/V50/V51 Series Exit Device

---

Provides remote means of locking or unlocking a door for authorized entry, access control, security or safety needs when used in conjunction with any Detex 40/V40 Series rim or 50/51/V50/V51 Series surface vertical rod exit device on doors with a minimum stile width of 4". Excellent source of security for access control systems used in installations in schools, universities, hospitals, retail, industrial, etc.



---

#### Benefits

- Clutching trim limits vandalism
- Key override for emergency entrance during loss of power (FSE)

---

#### Features

- Cylinder override
- Spring loaded tailpiece
- Vandal resistant break-away type lever

---

#### Mechanical Options

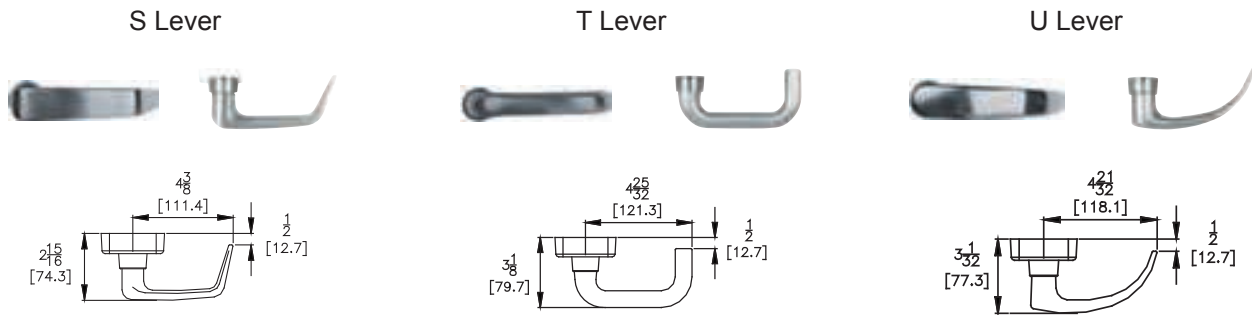
- Not Field Reversible
- EU2W - Comes standard as D Trim, with S style Lever and Fail Secure (FSE), for use with Detex 40/V40 Series Rim or 50/51/V50/V51 Series Surface Vertical Rod Device
- EU2W x DT or DU - Comes with T style or U style lever, for use with Detex 40/V40 Series Rim or 50/51/V50/V51 Series Surface Vertical Rod Device

---

#### Electrical Options

- Fail Secure (FSE) - During power failure, device will be locked (Security option)  
ex: EU x FSE
- Fail Safe (FSA) - During power failure, the trim will always be unlocked. (Life Safety option)  
ex: EU x FSA
- Not Field Selectable
- Not Field Selectable

## Lever Options



## Accessories

- MC65 - Mortise Cylinder
- IC7 - 7-pin Mortise Cylinder Housing (Core not included)
- 80-800 - 24 VDC power supply with battery charging circuit
- 90-800 - 24 VDC power supply without battery charging circuit
- CCL - Long cylinder collar (11/16")
- SE-2 - Shaft extension for 2 to 2 1/2" thick doors

## Finishes

605 / US3 Polished Brass  
 606 / US4 Brushed Brass  
 611 / US9 Polished Bronze

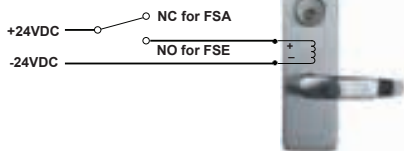
612 / US10 Brushed Bronze  
 613 / US10B Oil Rubbed Bronze

629 / US32 Polished Stainless Steel  
 630 / US32D Brushed Stainless Steel

## Technical Information

- 24VDC / 150ma continuous duty

## Wiring Diagram



## Listings and Approvals

MIL-STD 810F (G), Method 509.4  
 (Salt Fog Test)

MIL-STD 810F (G), Method 506.4  
 (Driving Rain), Procedure 1

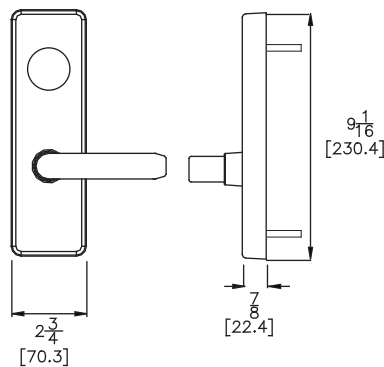
UL1034 - 34 Temperature Section 34  
 [Temperature Range -31° F (-35° C) to  
 150° F (+66° C)]

UL1034 - 54 Dust Section 54

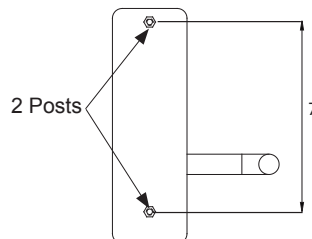
## Dimensions

Front View

Side View



Back View



## Detex Limited Warranty

10 Year Mechanical/3 Year Electrical  
 Limited Manufacturer's Warranty

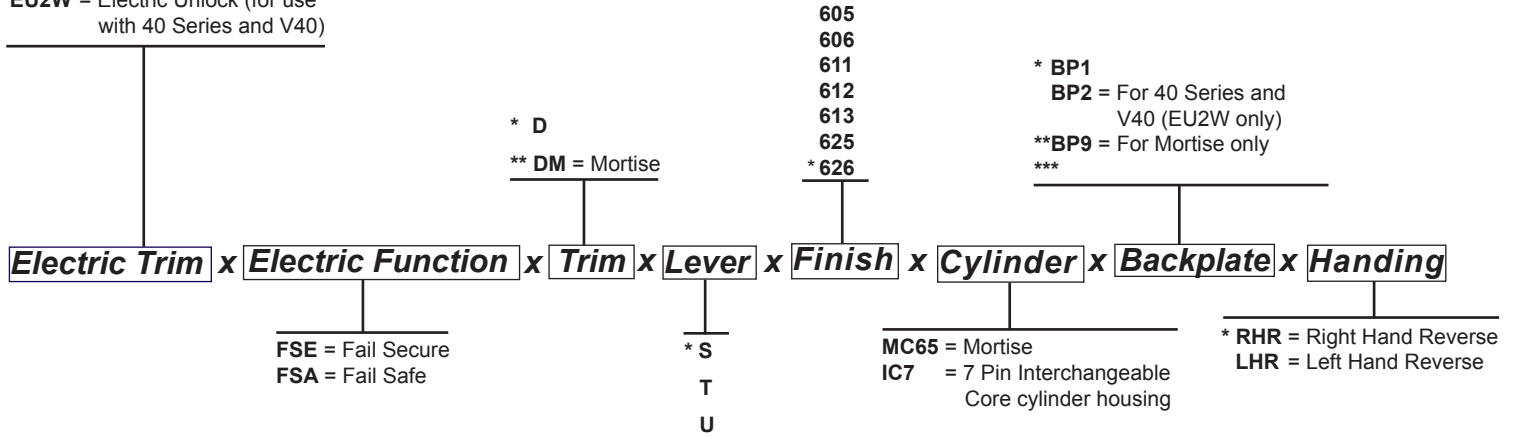
*Where Trust is Built™*  
**DETEX®**  
*Life Safety and Security Door Hardware*

Detex Corporation  
 302 Detex Drive  
 New Braunfels, Texas 78130-3045 USA  
 PH. (830) 629-2900  
 (800) 729-3839  
 FAX (830) 620-6711  
 (800) 653-3839  
<http://www.detex.com>  
 USA Sales:  
[marketing@detex.com](mailto:marketing@detex.com)  
 International Sales:  
[export@detex.com](mailto:export@detex.com)



# Electric Unlock (EU) HOW TO ORDER

\* **EU** = Electric Unlock  
**EU2W** = Electric Unlock (for use with 40 Series and V40)

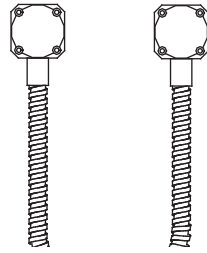


**NOTE:** \* = default  
 \*\* = for mortise only  
 \*\*\* = all other BPs also available

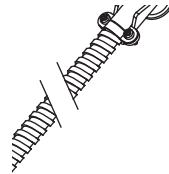
**Examples:** 10EU (includes - 10 Series, 08 trim function, D type trim, S lever, Fail Secure, 626 finish, RHR)  
 10EU x FSA (includes - 10 Series, 09 trim function, D type trim, S lever, Fail Safe, 626 finish, RHR)  
 30EU x FSA x DMT x 605 x LHR (includes - 30 Series, 09 trim function, DM type trim, T lever, Fail Safe, 605 finish, LHR)  
 V40EU2W x MC65 (includes V40 Series, 08 trim function, D type trim, S lever, Fail Secure, MC65, 626 finish, RHR)

## Surface Mounted Wiring Options

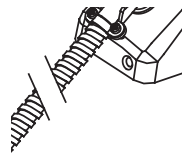
AL18 Armored Loop with billet aluminum end. 18" long



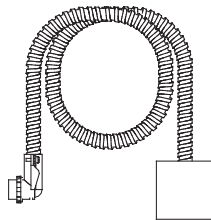
FC As a suffix when ordered with device, it provides 36" flex conduit without wires and with standard conduit connector



FCA Ordered separately from device, it provides 36" flex conduit without wires and with standard conduit connectors and modified device end-cap



JB1 Junction Box and 9' cable for use with magnetic lock on EM device



PT5 Power Transfer



## Door Signs

EA-561 Adhesive Back "Emergency Exit Only - Alarm Will Sound"

ECL-365 Adhesive Back "Keep Pushing Door Will Open in 15 Seconds"

## Magnetic Locks & Accessories

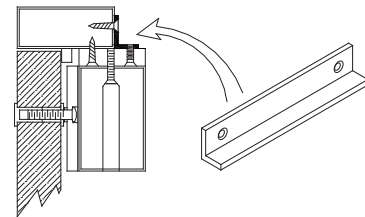
ML-1548 - Magnetic Lock

- 1,500 pounds holding force
- 12/24 VDC field selectable
- Easy installation features convenient plug-in wiring terminals and wire access cover
- Adjustable mounting bracket
- Surge protection
- No residual magnetism
- U.L. Listed

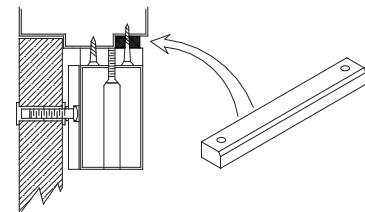


Specify: ML-1548-628 - Anodized Clear Aluminum

ML-1548-711 - Anodized Black Aluminum



AB02 Angle Bracket - Provides easy mounting of ML-1548 to narrow frame reveal



Filler Brackets for gap caused by frame stop conditions.

FB02 3/8" x 3/4" filler bracket

FB04 5/8" x 3/4" filler bracket



## List of Accessories

Strikes

Through Bolt Mounting Plate

Cylinders

Cylinder Collars

Cylinder Bracket Kit

Sex Nut Kits

Security Screw Kits

Glass Bead Kits

Tools

Slide-In Filler Kits

ER Retrofit Kit

Dummy Exit Device



## Accessories

### Strikes

All required strikes are provided with exit devices. Replacement strikes are available as follows:



**99** Surface - non-roller strike for 10/40 Series Rim Devices



**98** Semi-Mortise - applied strike for 10/40 Series Rim Devices



**94** Double Door Strike - for 10/40 Series Rim Devices



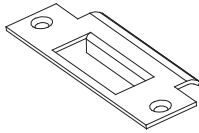
**97** Top Surface - non-roller top strike for 20/21 Series Surface Vertical Rod Devices



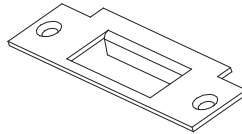
**96** Top Surface - non-roller top strike for 50/51 Series Surface Vertical Rod Devices



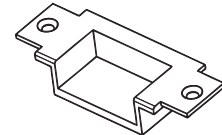
**96/97** Bottom Dust Proof Strike - for 20 Series (97 Bottom) or 50 Series (96 Bottom) Surface Vertical Rod Devices



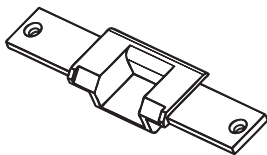
**90** Standard ANSI Strike - for 30 Series Mortise Device



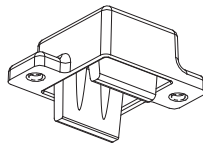
**91** ANSI Flat Lip Strike - for 30 Series Mortise Device



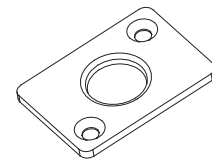
**92** Double Door Strike with short open back - for 30 Series Mortise device



**93** Double Door Strike with long open back - for 30 Series Mortise Device

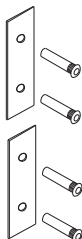


**95T** Top Strike - for 60/61/62/63/70/71/80/81/82/83 Series Concealed Vertical Rod Devices



**95B** Bottom Strike - for 60/62/70/80/82 Series Concealed Vertical Rod Devices

### Through Bolt Mounting Plate Kit for SVR



TMP2 shown

**TMP1 (Top Rod Only) / TMP2 (Top and Bottom Rod)** - Through Bolt Mounting Plate Kit for use when replacing surface vertical rods on doors that are damaged or to cover existing exterior holes from previous device.

Kit is standard with two 630 finish plates and four 1/4-20 sex bolts. Contact factory for other finishes.

## Cylinders



**MC65** Mortise Cylinder - 1-1/8" 6-pin, keyed 5-pin. Available keyed alike or keyed differently. Finishes available: 605, 606, 612, 613, 626



**RC65** Rim Cylinder - 6-pin, keyed 5-pin. Available keyed alike or keyed differently. Finishes available: 605, 606, 612, 613, 626



**IC7** Interchangeable core cylinder housing - 7-pin, factory installed

### Cylinder Collars

Cylinder Collars for 5 and 6 pin cylinders are provided with all outside trim.

**CCS** 7/16" Short Cylinder Collar - Cylinder collar for 5 and 6 pin cylinders. Finishes available: 605, 606, 612, 613, 626



**CCL** 11/16" Long Cylinder Collar - Cylinder collar for 7 pin interchangeable core cylinders. Finishes available: 605, 606, 612, 613, 626

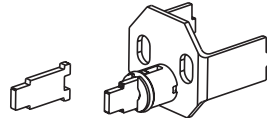


### Glass Bead Kits

For use on doors with raised glass beads. Each kit contains one 1/4" shim set. Specify Kit number

Kit Number	For use with:
<b>GB1</b>	10 Series
<b>GB2</b>	40 Series
<b>GB3</b>	20 Series - 7 foot
<b>GB4</b>	21 Series - 7 foot
<b>GB5</b>	50 Series - 7 foot
<b>GB6</b>	51 Series - 7 foot
<b>GB7</b>	20 Series - 8 foot
<b>GB8</b>	21 Series - 8 foot

### Cylinder Bracket Kit



**CBK** - Cylinder Bracket Kit consists of bracket and adjustable tailpiece assembly for rim cylinder used with other manufacturer's outside trim

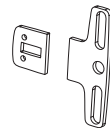
**03CAK** - Cylinder Bracket Kit (for 60 Series Only) consists of bracket and adjustable tailpiece assembly for rim cylinder used with other manufacturer's outside trim

### Security Screw Kits

Contains an assortment of screw sizes and types for securing covers in place

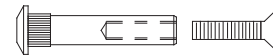
**SSK1** - Security Screw Kit for rim exit device. Includes driver tip. Stainless Steel only

**SSK2** - Security Screw Kit for SVR exit device. Includes driver tip. Stainless steel only



Kit Number	For use with:
<b>GB9</b>	50 Series - 8 foot
<b>GB10</b>	51 Series - 8 foot
<b>GB11</b>	20 Series - 10 foot
<b>GB12</b>	21 Series - 10 foot
<b>GB13</b>	50 Series - 10 foot
<b>GB14</b>	51 Series - 10 foot
<b>GB15</b>	V40 Series
<b>GB16</b>	30 Series

### Sex Nut Kit



**SN1** - Sex Nut Kit 1/4-20 — 2 per package

**SN2** - Sex Nut Kit 10-32 — 2 per package

### Tools



**HDK** - Hex Dogging Key - Heavy-duty with over molded ABS, dogging key is ergonomically designed to resist repetitive motion injuries.

Driver Tip for Security Screw:

**TT10** - 6-32 Undercut FH Screws

**TT15** - 8-32 FH Screws

**TT25** - 10-32 FH Screws

**TT27** - 1/4-20 and #14 Screws

Where Trust is Built™

**DETEx**®

Life Safety and Security Door Hardware

Detex Corporation  
302 Detex Drive  
New Braunfels, Texas 78130-3045 USA

PH. (830) 629-2900

(800) 729-3839

FAX (830) 620-6711

(800) 653-3839

http://www.detex.com

USA Sales:

marketing@detex.com

International Sales:

export@detex.com

## Accessories

---

### Slide-In Filler Kits

Slide-In Filler Kits allow change or addition to the device after initial installation. Specify device series (10, 20, 21, 30, 40, 50, 51, 60, 61, 62, 63, 70, 71, 80, 81, 82, or 83), size (36" or 48") and finish (605, 606, 611, 612, 613, 628, 629, 630, 693 or 695).

Example: 10x36x630



**SIF-EA Exit Alarm** - Slide-In Filler Kit provides 100 plus decibel directional piezo alarm with remote signal relay, remote bypass relay, and LED display. Optional Cylinder Dogging for non-fire rated devices. 9 volt DC and 12/24 volt AC/DC operation. Options include Key Stop feature that allows key to be removed only if unit is armed and factory installed cylinder housing for 7-pin IC cylinders.. Requires mortise cylinder with standard Yale cam (sold separate)



**SIF-HD** - Hex Key Dogging Slide-In Filler Kit includes dogging key with over-molded ergonomic grip



**SIF-CD** - Cylinder Dogging Slide-In Filler Kit requires mortise cylinder with standard Yale cam (sold separate). Optional factory installed cylinder housing for 7-pin IC cylinders.

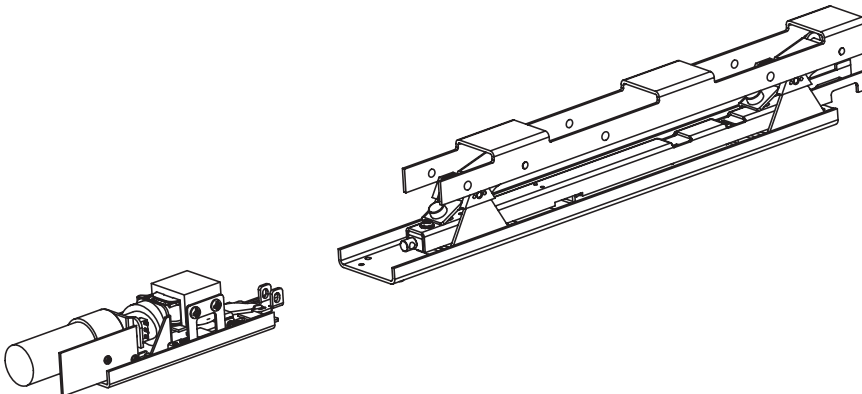


**SIF-LD** - Less Dogging Slide-In Filler Kit's smooth plate eliminates dogging feature. Mandatory for all fire rated models.

---

### ER Retrofit Kit

Converts any Advantex 10, 20, 21, 30, 40, 50 and 51 Series exit device from a simple mechanical device to the ER Electric Latch Retraction Device. The retrofit kit consists of the pushpad assembly, the ER module assembly, required hardware and complete instruction for conversions in the field. Specify 36" or 48". Requires power supply, sold separate. Call factory for more information.



*Where Trust is Built™*  
**DETEx®**  
*Life Safety and Security Door Hardware*

Detex Corporation  
302 Detex Drive  
New Braunfels, Texas 78130-3045 USA  
PH. (830) 629-2900  
(800) 729-3839  
FAX (830) 620-6711  
(800) 653-3839  
<http://www.detex.com>  
USA Sales:  
[marketing@detex.com](mailto:marketing@detex.com)  
International Sales:  
[export@detex.com](mailto:export@detex.com)



## Accessories

### Dummy Exit Devices

---

The Advantex Series of non-locking or dummy exit devices are designed for use on all types of doors where locking is not required. Utilizing the same extruded aluminum base-plate and stainless steel wraps, these devices are able to complete your specification where non-locking interior doors are required.



00/05 Standard Dummy Device with two end-caps

The standard 00 device consists of no moving parts. With two standard Advantex end-caps, this inactive device is easy to install and is available in all finishes. The 05 device is the same but with an extended base-plate for narrow stile doors.



01/04 Standard Dummy Device with head cover and end-cap

The 01 for wide stile and 04 for narrow stile devices consists of a moving pushpad but no latch bolt. Provides the look of the standard 10 exit device for wide stile doors when matching devices in a grouping is important. The pushpad can be equipped with an EX or EXW switch for remote monitoring purposes.

*Where Trust is Built™*  
**DETEX®**  
*Life Safety and Security Door Hardware*

Detex Corporation  
302 Detex Drive  
New Braunfels, Texas 78130-3045 USA  
PH. (830) 629-2900  
(800) 729-3839  
FAX (830) 620-6711  
(800) 653-3839  
<http://www.detex.com>  
USA Sales:  
[marketing@detex.com](mailto:marketing@detex.com)  
International Sales:  
[export@detex.com](mailto:export@detex.com)

## **Technical Information Contents**

**Cylinder Requirements**

**Mortise Cylinder Lengths**

**Cylinder Collars**

**Fasteners**

**Security Screws**

**Sex Bolts**

**10 Series Rim Mounting Plate Retrofit Chart**

**Compatibility With Access Control Entry Trims**

**Installation**

**Handing**

**Minimum Door Widths Chart**

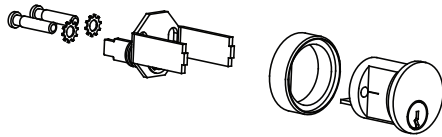


**Cylinder Requirements**

Product	Rim Cylinder	Mortise Cylinder All Use Standard (Yale) Cam
Cylinder Dogging		X
Electrified Options EA, EI, EM		X
All 03 Function Trims	X	
All 08 & 09 Function Trims		X

**03 Function Detail**

All Advantex 03 Function outside trims are supplied with a self-adjusting tailpiece that correctly fits into the cam on the mounting plate.



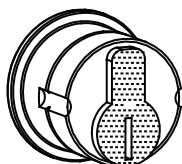
Tailpiece Used	Door Thickness
	1-3/4" and 2" Thick Doors
	2-1/4" Thick Doors

Rim cylinder tailpieces are cut to fit into this tailpiece making the cut less critical.

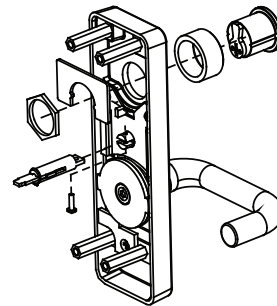
**Mortise Cylinder Length**

The cylinder assembly in the slide-in filler used for both the cylinder dogging and electrified options are supplied with shims to accommodate cylinder lengths from 7/8 to 1-1/4

**Mortise cylinder**



**08 & 09 Function Detail**



Lever trims come with the adjustable tailpiece which is attached to the escutcheon.

**Cylinder Collars**

See Accessories for Cylinder Collar lengths.

**Fasteners**

---

Door manufacturer should be consulted for proper mounting fasteners. #14 x 1-1/4 PPH sheet metal screws and 1/4-20x 1" PHP machine screws are furnished standard on all devices and strikes. Fasteners of proper length for door thickness are furnished with devices where trims are through bolted. C and CN Pull trims are furnished with 1/4-20 through bolt for attaching bottom of pull handle.

**Security Screws**

---

For added security, pin head screws are available in two different kits.

SSK1 Security Screw Kit for Rim Devices Contains:

- 2 MS 10/32, FH, Undercut
- 4 MS 6/32 FH
- 2 MS 1/4-20 BH
- 2 SMS #14 x 1" BH Type AB
- 4 Tamper Bits required for above

SSK2 Security Screw Kit for Surface Vertical Rod Devices Contains:

- 6 MS 6-32 x 1/4" FH Undercut
- 2 MS 8-32 FH Undercut
- 2 MS 10-32 FH, Undercut
- 2 MS 1/4-20 BH
- 2 MS #14 x 1" BH Type AB
- 4 Tamper Bits required for above

**Sex Bolts**

---

If sex bolts are required, see chart below for quantity required for each device. SN1 kit contains 2 each 1/4-20 bolts. Specify finish.

Function or Trim	Rim Devices		Surface Vertical Rod Devices		Surface Vertical Rod Top Rod Only Devices	
	10 Series	40 Series	20 Series	50 Series	21 Series	51 Series
01	6	4	10	8	6	4
02, 03	2	2	6	6	4	4
08, 09 & 14	2	2	6	6	4	4



# Technical Information

## Wide Stile Mounting Plates

Mounting Plate	10 Series Functions	20/21 Series Functions
BP1	01, 02, 08, 09, 14	01, 02, 08, 09, 14
BP3	01, 02, 08, 09, 14	Not available
BP5	01, 02, 08, 09, 14	Not available
BP7	03 only	03 only

## Narrow Stile Mounting Plates

Mounting Plate	V40 Series Functions	V50/51 Series Functions
BP2	01, 02, 08, 09, 14	
BP8	03 only	

## 10 Series

### Advantex Rim Mounting Plate Retrofit Chart

Detex	Von Duprin	Sargent	Precision	Yale	Corbin Russwin
BP-1*	98/99				
BP-3		8800 (See Note)	2100 (See Note)		
BP-5				7100	ED5200

**NOTE: BACKPLATE HOLE ALIGNMENT MAY BE OFF BY UP TO 1/16TH"**

Advantex mounting plates BP-1, BP-3 and BP-5 are for use with 10 series rim device.

Advantex mounting plates offer the ability of retrofitting the rim device using the existing door preps of the manufacturers listed above.

\*Shipped standard with 10 device



## Hardware Templates

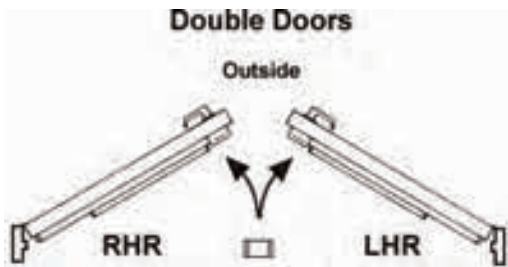
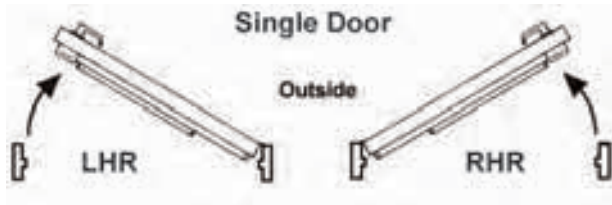
See Detex Template Policy in General Information

## Compatibility with Access Control Entry Trims

Advantex will operate with the following entry trims:

- Marks iQue series
- Omni-Lock
- Onity
- Kaba Access Controls

## Handing



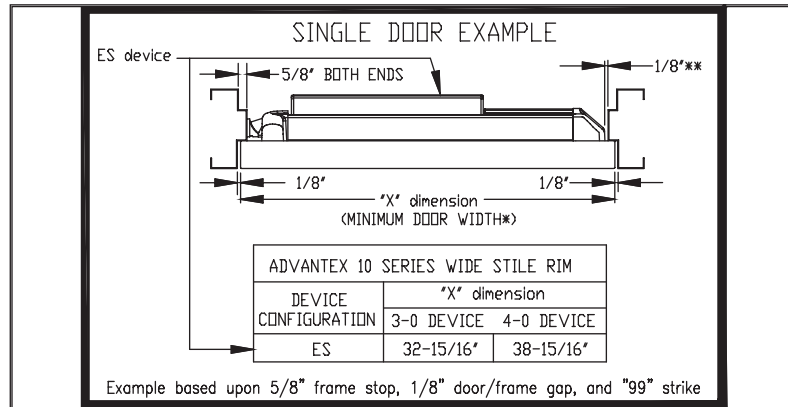
## Installation

The patented Advantex mounting plate and strike locator system allows:

- Quick and easy installation by one person
- No paper templates
- Accurate backset every time
- Square up to door and frame made easy



**MINIMUM DOOR WIDTHS**



\*\*DOOR SHOWN WITH 1/8" CLEARANCE FOR END CAP, SOME WEATHERSTRIP REQUIRES ADDITIONAL CLEARANCE. ADDITIONAL CLEARANCE WILL REQUIRE WIDER DOORS.

Charts are based upon 5/8" frame stop, 1/8" door/frame gap, and standard device strike (see notes)

ADVANTEX 10 SERIES - WIDE STILE RIM (99 STRIKE)		
DEVICE CONFIGURATION	"X" dimension	
	3-0 DEVICE	4-0 DEVICE
EA	33"	39"
EI	33"	39"
EM	34-3/4"	40-3/4"
EE	34-3/4"	40-34"
EExER	34-3/4"	40-3/4"
ED	34-1/8"	40-1/8"
ER	34-3/4"	40-3/4"
ES	33"	39"
EX	29"	35"
CD	29"	35"
HD	29"	35"
LD	28-3/8"	34-3/8"

- 1) For single door frames with no stop, subtract 1-1/4 from minimum door width
- 2) For Mullion application add 3/8" to each width
- 3) Standard strike for 10 Series is 99 Strike



# Technical Information

## MINIMUM DOOR WIDTHS CONT'D

ADVANTEK 40 SERIES -NARROW STILE RIM (98 STRIKE w/o STOPS)		
DEVICE CONFIGURATION	"X" dimension	
	3-0 DEVICE	4-0 DEVICE
EA	31-7/8"	37-7/8"
EI	31-7/8"	37-7/8"
EM	34"	40"
EE	34"	40"
ED	33-3/8"	39-3/8"
ER	34	40
ES	31-7/8"	37-7/8"
EX	27-7/8"	33-7/8"
CD	27-7/8"	33-7/8"
HD	27-7/8"	33-7/8"
LD	27-1/4"	33-1/4"

- 1) For single door frames with 5/8" stops, add 1-1/4" from minimum door width
- 2) For Mullion application add 3/8" to each door width
- 3) Standard strike for 40 Series is 98 strike with 5/8 stop, backset is 2-1/4"
- 4) Standard strike for 40 Series is 98 strike with no stop, backset is 1-1/8"

ADVANTEK 20/21 SERIES - WIDE STILE SVR, BACKSET IS 2-3/4"		
DEVICE CONFIGURATION	"X" dimension	
	3-0 DEVICE	4-0 DEVICE
EA	33"	39"
EI	33"	39"
EE	34-3/4"	40-3/4"
ED	34-1/8"	40-1/8"
ER	34-3/4"	40-3/4"
ES	33"	39"
EX	29"	35"
CD	29"	35"
HD	29"	35"
LD	28-3/8"	34-3/8"

- 1) For double door frames without stops, subtract 5/8" from minimum door width
- 2) For backset = 2", subtract 3/4" from minimum door width



# Technical Information

## MINIMUM DOOR WIDTHS CONT'D

ADVANTEK 50/51 SERIES - NARROW STILE SVR w/o STOPS, BACKSET IS 1-1/8"		
DEVICE CONFIGURATION	"X" dimension	
	3-0 DEVICE	4-0 DEVICE
EA	31-3/8"	37-3/8"
EI	31-3/8"	37-3/8"
EE	33-1/8"	39-1/8"
ED	32-1/2"	38-1/2"
ER	33-1/8"	39-1/8"
ES	31-3/8"	37-3/8"
EX	27-3/8"	33-3/8"
CD	27-3/8"	33-3/8"
HD	27-3/8"	33-3/8"
LD	26-3/4"	32-3/4"

1) For double door frames without stops, add 5/8" to minimum door width

ADVANTEK 30 SERIES - WIDE STILE MORTISE		
DEVICE CONFIGURATION	"X" dimension	
	3-0 DEVICE	4-0 DEVICE
EA	33"	39"
EI	33"	39"
EE	34-3/4"	40-3/4"
ED	34-1/8"	40-1/8"
ER	34-3/4"	40-3/4"
ES	33"	39"
EX	29"	35"
CD	29"	35"
HD	29"	35"
LD	28-3/8"	34-3/8"

1) For double door frames without stops, subtract 5/8" from minimum door width

# *Life Safety and Security Door Hardware*



**VALUE SERIES**



**Value Series® Performance Specification****General**

---

All exit devices shall be Value Series® V40 series rim devices or V50/V51 series surface vertical rod devices as manufactured by Detex Corporation, New Braunfels, TX, USA. Each exit device shall be equipped and installed with a patented mounting plate and strike locator for an accurate installation. All devices shall be available with outside trim. All devices shall be non-handed and field sizeable.

**Code Compliance**

---

The exit devices shall be listed by Underwriters Laboratories and bear the UL label for panic hardware in compliance with NFPA 80 and 101. Where required, all devices shall have a UL label for Fire Exit Devices listed for use on fire rated doors up to and including A label, three hours. UL labeled Fire Exit Devices shall be listed for door opening sizes up to 4'0" x 10'0" on single doors and 8'0" x 8'0" on door pairs with an F90KR Keyed Removable Mullion.

Where required, all rim devices shall have a Miami-Dade County, Florida label indicating hurricane listing.

All exit devices shall be certified to meet ANSI/BHMA requirements, and conform to ADA and California Title 19 requirements.

**Design**

---

All exit devices shall be of impact resistant ABS and a structurally engineered extruded aluminum body. The end cap shall be designed with a tapered angle of 38 degrees to deflect damage away from the device. All exit devices shall be designed with base plate-mounted pushpads and internally ribbed aluminum extrusion rails to dissipate excessive force to the pushpad and prevent damage to the operating mechanisms.

All latch bolts shall be stainless steel material with a deadlocking feature for increased security.

Hex key dogging shall be a standard feature for all non-fire rated exit devices. Optional features include cylinder dogging or less dogging. All dogging will be accomplished with no more than a one-eighth turn of the hex key or cylinder key to minimize the risk of repetitive motion injuries.

The through-bolted modular design of all exit devices shall accommodate a variety of different trims and functions without altering the exit device. It shall not be necessary to remove the device from the door for keyed changes or standard maintenance.

**Options**

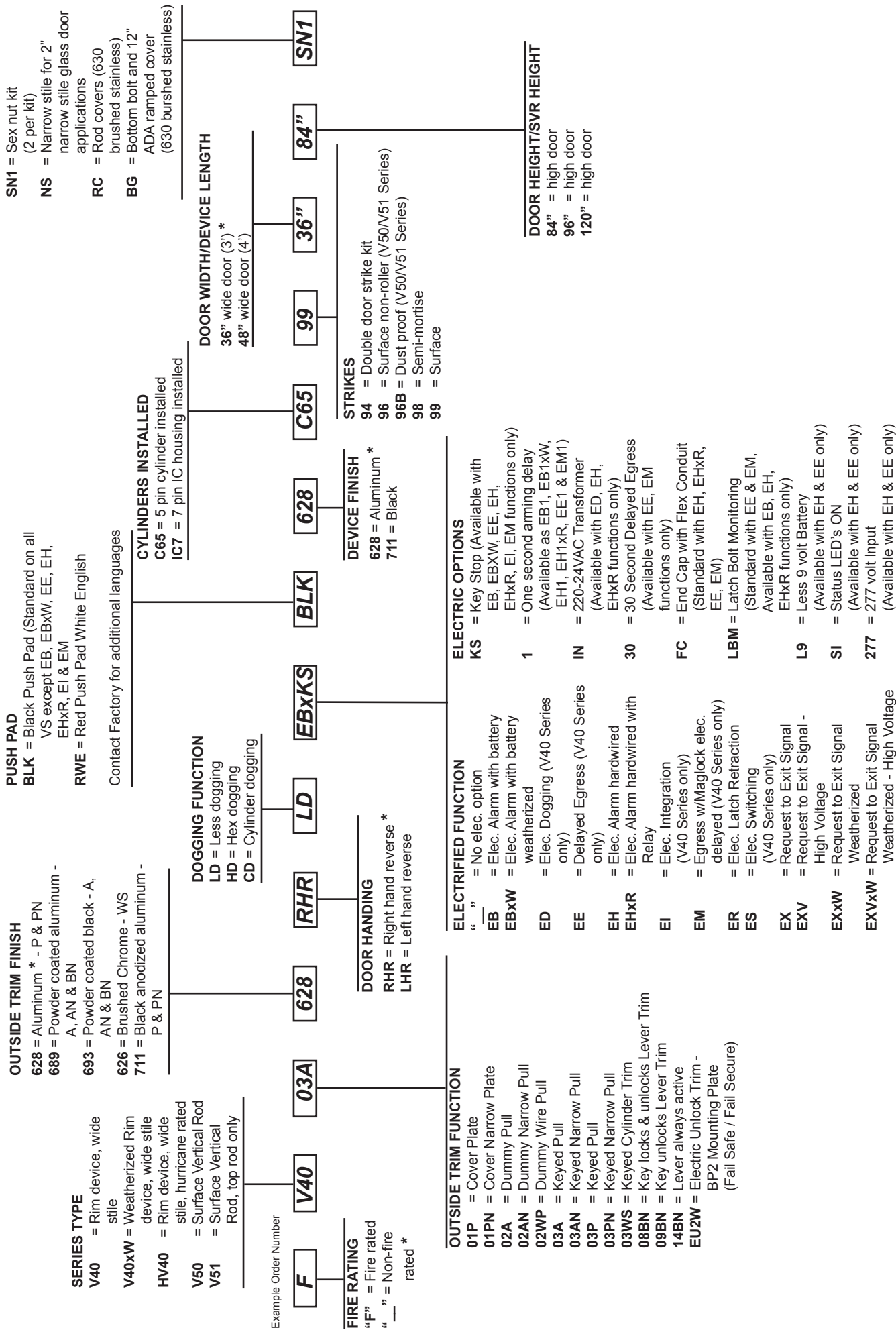
---

Optional slide in filler plates shall be available for all exit devices to accommodate optional dogging types, alarm and other electrified features.

**Warranty**

---

Detex Value Series® panic hardware, when properly installed, used and maintained, is warranted to be free of defects in material and workmanship. We will, for a period of ten (10) years from the date of purchase, repair or replace any part which, upon our examination, proves to be defective under normal use. Electrical components, when properly installed, used and maintained, are warranted to be free of defects in material and workmanship for a period of three (3) year. This warranty will be honored only upon presentation of proof that the product covered thereby was purchased directly from an authorized Detex distributor. We shall not be liable for any direct, incidental or consequential loss or damage arising out of the failure of this panic hardware to operate.





## **Exit Device Types**

**V40 Series** - Rim Exit Device

**V40xW Series** - Weatherized Rim Exit Device

**V50 Series** - Surface Vertical Rod Device

**V50xW Series** - Weatherized Surface Vertical Rod Device

**V51 Series** - Surface Vertical Rod Device - Top Rod Only

**V51xW Series** - Weatherized Surface Vertical Rod - Top Rod Only

# VALUE SERIES®

## Rim Exit Device

The V40 Series **rim exit device** is secure and durable **panic and fire exit hardware** at an economical price. It is designed for use on all types of single and double doors with mullions. The patented mounting plate and strike locator system ensures the easiest and most accurate installation of panic hardware available.



**V40**  
(628 Finish)



**V40**  
(711 Finish)

Standard V40 Rim Device accommodates wide stile doors, 3" or greater stile, and flush doors. For Narrow Stile doors, 2" to 2 1/2" stiles, specify V40 NS model which provides a 2" longer device and a lower profile strike.

### Benefits

- Priced to be the best value for durable and attractive loss prevention panic hardware
- Minimal door prep saves time and money
- Outside trims are easily changed or rekeyed without removing device from door
- Fast and easy installation
- Fits almost any door in any décor

### Features

- Patented mounting plate and strike locator
- Covers a 161 door prep
- Stainless steel, 3/4" deadlocking Pullman-type latch bolt
- Non-handed
- Field sizeable
- 1/8 turn hex key dogging
- Heavy-duty angled end cap
- Heavy-duty ribbed aluminum rail extrusion
- High impact ABS and anodized surfaces
- Withstands over 1400 pounds of static pull force for greater security
- Modular design accepts a variety of outside trims and functions
- Standard and narrow stile pull trims available

### Mechanical Options

- CD - Cylinder Dogging
- HD - Hex Dogging (Std.)
- LD - Less Dogging
- 36 - Fits 36" Door Width (Std.)
- 48 - Fits 48" Door Width
- F - 3-Hour Fire Rated
- H - Hurricane Rated
- NS - Narrow stile door option
- 99 - Surface Strike (Std.)
- 98 - Semi Mortise Strike
- Available with 628 Base Rail Extrusion (Std.)
- Available with 711 Base Rail Extrusion

### Electrical Options

- Exit Alarm with 9 volt Battery (EB)
- Weatherized Exit Alarm (EBxW)
- Electric Dogging (ED)
- Delayed Egress (EE)
- Exit Alarm Hardwired 24VAC (EH)
- Exit Alarm with Remote Signal (EHxR)
- Electric Integration (EI)
- Delayed Egress with Magnetic Lock (EM)
- Electric Latch Retraction (ER)
- Electric Switching (ES)
- Request to Exit (EX)
- Weatherized Request to Exit (EXxW)

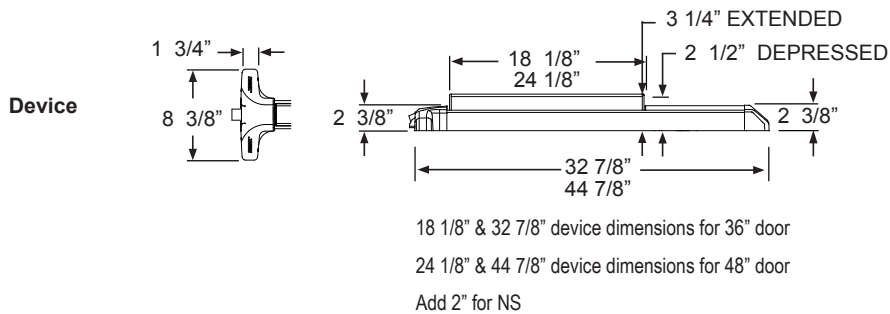
## Accessories

- SN1 - Sex Nut Fasteners
- GB2 - Glass Bead Kit
- NSK- Narrow Kit - for 2" narrow stile glass door applications that must be added in the field
- Outside Trim (see Value Series Trim Options)
- Optional Sex Nuts or Security Torx Screws available

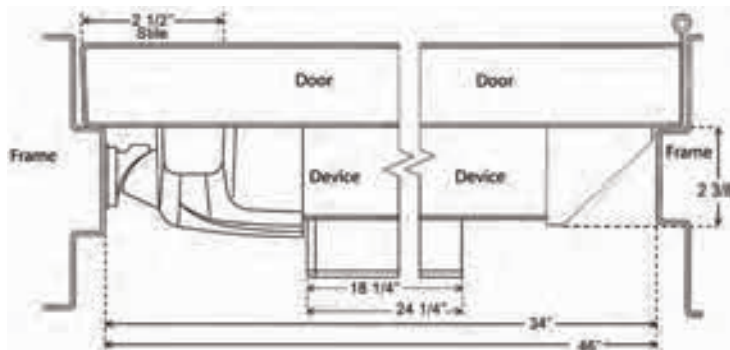
## Technical Information

- Door Types - Wood, Hollow Metal, Fiberglass or Aluminum
- Door Thickness - Fits standard 1-3/4" - 2-1/4"
- Door Stile - Fits 2-1/2" stile doors with 99 surface strike (Std.)
- Door Stile - Fits 2" narrow stile doors - specify NS
- Machine and Self-Drilling Screws (Std.)

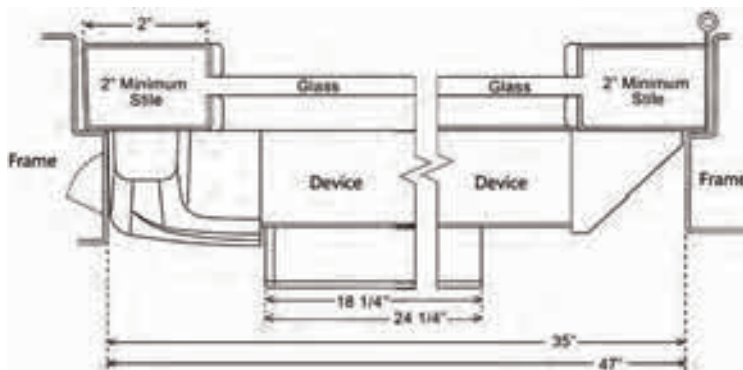
## Dimensions



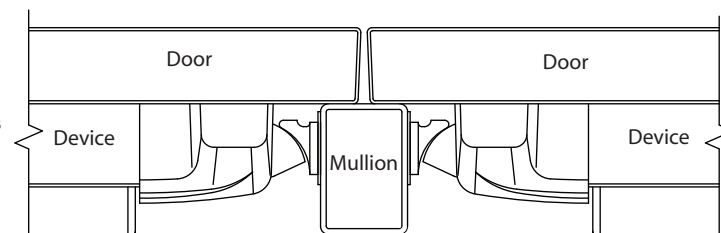
**Single Door with 99 strike**



**Single Narrow Stile Door with 98 strike**



**Double Doors**



## Listings and Approvals

- UL Listed Panic Hardware
- UL Listed Fire Exit Hardware for 3 hours, maximum 4'x10' single doors and pairs of 4'x8' with F90KR keyed removable Mullion
- Meets ADA requirements
- UBC 97, Standard 7-2 and UL10C for positive pressure
- ANSI/BHMA certified A156.3
- Meets NFPA 80 & 101 for Life Safety
- Miami-Dade County, Florida NOA 10-0303.02 EXP. 04/07/15
- State of Florida Approval FL9052
- California State Fire Marshall - 4140-0127:105 and 3725-0127:108

## Detex Limited Warranty

10 Year Mechanical/3 Year Electrical Limited Manufacturer's Warranty

*Where Trust is Built™*  
**DETEX®**  
*Life Safety and Security Door Hardware*

Detex Corporation  
 302 Detex Drive  
 New Braunfels, Texas 78130-3045 USA  
 PH. (830) 629-2900  
 (800) 729-3839  
 FAX (830) 620-6711  
 (800) 653-3839  
<http://www.detex.com>  
 USA Sales:  
[marketing@detex.com](mailto:marketing@detex.com)  
 International Sales:  
[export@detex.com](mailto:export@detex.com)

# VALUE SERIES®

## V40 x W

### Weatherized Rim Exit Device

The V40 Series **rim exit device** is secure and durable **panic and fire exit hardware** at an economical price. It is designed for use on all types of single and double doors and gates with mullions that are or may be exposed to the weather. The patented mounting plate and strike locator system ensures the easiest and most accurate installation of panic hardware available. In addition to listing as UL panic and fire exit hardware device, this device conforms to UL1034-34 Temperature Section 34, UL1034-54 Dust Section 54, MIL-STD 810F, Method 506.4 (driving rain test); MIL-STD 810F, Method 509.4 (salt fog test) and UBC standard 7-2 (positive pressure).



Standard V40 Rim Device accommodates wide stile doors, 3" or greater stile, and flush doors. For Narrow Stile doors, 2" to 2 1/2" stiles, specify V40 NS model which provides a 2" longer device and a lower profile strike.

#### Benefits

- Priced to be the best value for durable and attractive loss prevention panic hardware
- Minimal door prep saves time and money
- Outside trims are easily changed or rekeyed without removing device from door
- Fast and easy installation
- Fits almost any door in any décor

#### Features

- Patented mounting plate and strike locator
- 1/8 turn hex key dogging
- Withstands over 1400 pounds of static pull force for greater security
- Covers a 161 door prep
- Heavy-duty angled end cap
- Modular design accepts a variety of outside trims and functions
- Stainless steel, 3/4" deadlocking Pullman-type latch bolt
- Heavy-duty ribbed aluminum rail extrusion
- Standard and narrow stile pull trims available
- Non-handed
- High impact ABS and anodized surfaces
- Field sizeable

#### Mechanical Options

- CD - Cylinder Dogging
- F - 3-Hour Fire Rated
- 98 - Semi Mortise Strike
- HD - Hex Dogging (Std.)
- H - Hurricane Rated
- Available with 628 Base Rail Extrusion (Std.)
- LD - Less Dogging
- NS - Narrow stile door option
- Available with 711 Base Rail Extrusion
- 36 - Fits 36" Door Width (Std.)
- 99 - Surface Strike (Std.)
- 48 - Fits 48" Door Width

#### Electrical Options

- Weatherized Exit Alarm (EBxW)
- Weatherized Request to Exit High Voltage (EXVxW)
- Weatherized Request to Exit (EXxW)

Refer to Electrified Options section for more information

Where Trust is Built™  
**DETEX**®  
Life Safety and Security Door Hardware

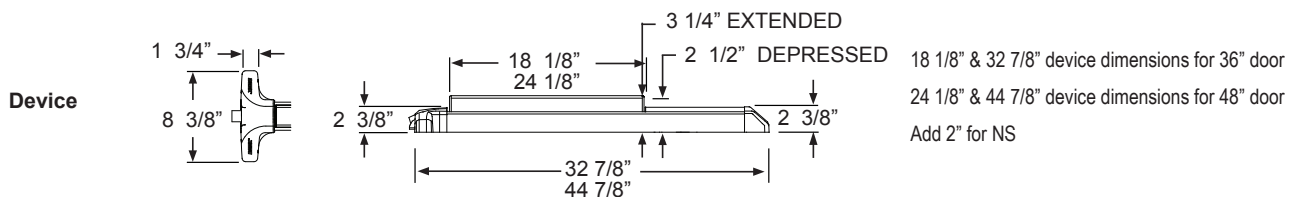
## Accessories

- SN1 - Sex Nut Fasteners
- GB2 - Glass Bead Kit
- NSK- Narrow Kit - for 2" narrow stile glass door applications that must be added in the field
- GTPLV40 - Adjustable Gate Plate
- Outside Trim (see Value Series Trim Options)
- Optional Sex Nuts or Security Torx Screws available

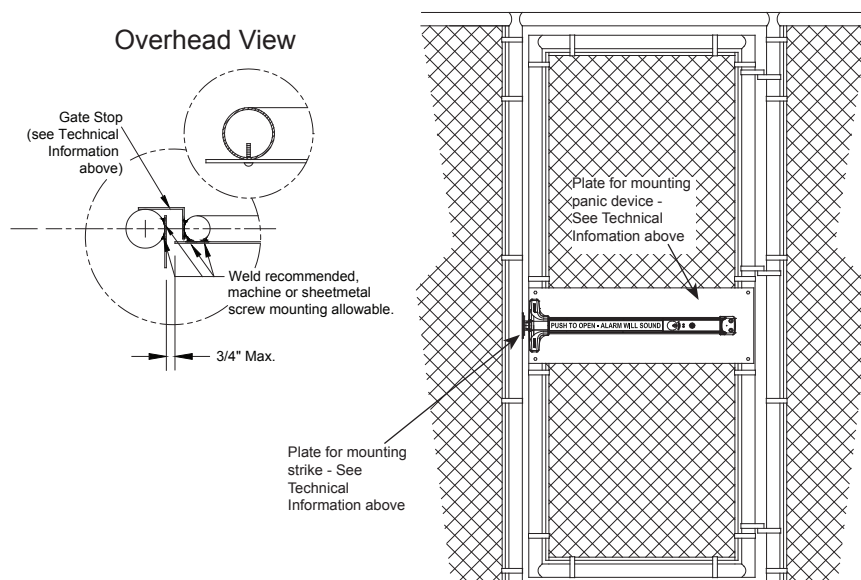
## Technical Information

- Door Types - Wood, Hollow Metal, Fiberglass or Aluminum
- Door Thickness - Fits standard 1-3/4" - 2-1/4"
- Door Stile - Fits 2-1/2" stile doors with 99 surface strike (Std.)
- Door Stile - Fits 2" narrow stile doors - specify NS
- Machine and Self-Drilling Screws (Std.)
- Recommended Plate Size  
Gate - 1/8" thick plate, galvanized, or painted steel or 1/4" thick aluminum plate, minimum Height - 10"
- Strike - 1/8" thick plated, galvanized, painted steel plate, angle iron, or 1/4" thick aluminum plate, minimum Height - 5"
- Stop - 1/8" thick plated, galvanized, or painted angle iron or 1/4" thick aluminum angle plate, minimum Height - 2"

## Dimensions



## Single Gate Riser



## Detex Limited Warranty

10 Year Mechanical/3 Year Electrical Limited Manufacturer's Warranty

## Listings and Approvals

- UL Listed Panic Hardware
- UL Listed Fire Exit Hardware for 3 hours, maximum
- 4'x10' single doors and pairs of 4'x8' with F90KR key removable Mullion
- UL1034 - 34 Temperature Section 34 [Temperature Range -31° F (-35° C) to 150° F (+66° C)]
- UL1034 - 54 Dust Section 54
- Meets ADA requirements
- UBC 97, Standard 7-2 and UL10C for positive pressure

- ANSI/BHMA certified A156.3
- Meets NFPA 80 & 101 for Life Safety
- Miami-Dade County, Florida NOA 10-0303.02 EXP. 04/07/15 State of Florida Approval FL9052
- California State Fire Marshall - 4140-0127:105 & 3725-0127:108
- MIL-STD 810F (G), Method 509.4 (Salt Fog Test)
- MIL-STD 810F (G), Method 506.4 (Driving Rain), Procedure 1

Where Trust is Built™  
**DETEX**®  
Life Safety and Security Door Hardware

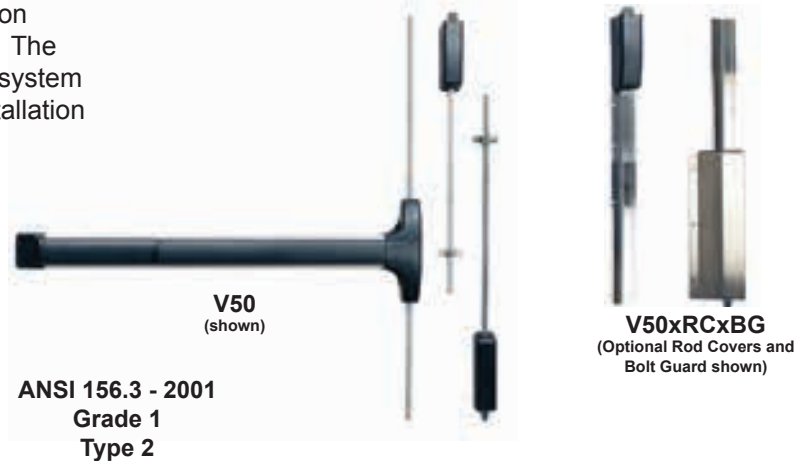
Detex Corporation  
302 Detex Drive  
New Braunfels, Texas 78130-3045 USA  
PH. (830) 629-2900  
(800) 729-3839  
FAX (830) 620-6711  
(800) 653-3839  
<http://www.detex.com>  
USA Sales:  
[marketing@detex.com](mailto:marketing@detex.com)  
International Sales:  
[export@detex.com](mailto:export@detex.com)

# VALUE SERIES®

## V50/V51 SERIES

### Surface Vertical Rod Device

The **V50 Series, surface vertical rod exit device** and **V51 Series, top rod exit device** are heavy-duty **panic** and **fire exit hardware** for use on all types of double doors without a mullion. The patented mounting plate and strike locator system ensures the easiest and most accurate installation in an economical panic device.



#### Benefits

- Priced to be the best value for durable, attractive panic hardware
- Fast and accurate installation
- Fits any door in almost any décor
- Minimal door prep saves time and money
- Outside trims are easily changed or rekeyed without removing device from door

#### Features

- Patented mounting plate and strike locator system replaces paper templates
- Handed, field reversible
- Impact resistant ABS and anodized surfaces
- Stainless steel 3/4" deadlocking, Pullman-type top latch bolt
- Field sizable
- Modular design accepts a variety of outside trims and functions
- Bottom drop bolt, 5/8" dia. x 5-5/8" long secures into strike plate
- 1/8 turn dogging
- Standard and narrow stile pull trims available
- Heavy-duty angled end cap
- Heavy-duty ribbed aluminum rail extrusion

#### Mechanical Options

- V51 - Top Rod Only
- 84 - Fits 7' Door Height (Std.)
- NS - Fits 2" Narrow stile glass door
- F - 3-Hour Fire Rated
- 96 - Fits 8' Door Height
- 96 Surface top stike top (Std.)
- HD - Hex Dogging (Std.)
- 120 - Fits 10' Door Height
- 96B Bottom dust proof strike
- CD - Cylinder Dogging
- RC - Rod Covers (630 Brushed Stainless)
- Available with 628 base rail extrusion
- LD - Less Dogging
- BG - Bottom bolt and 12" ADA ramped cover (630 Brushed Stainless)
- Available with 711 base rail extrusion
- 36 - Fits 36" Door Widths (Std.)
- 48 - Fits 48" Door Widths

#### Electrical Options

- Electric Battery Alarm (EB)
- Electric Hardwired Alarm with Remote Signal (EHxR)
- Refer to Electrified Options section for more information
- Delayed Egress (EE)
- Electric Hardwired Alarm (EH)



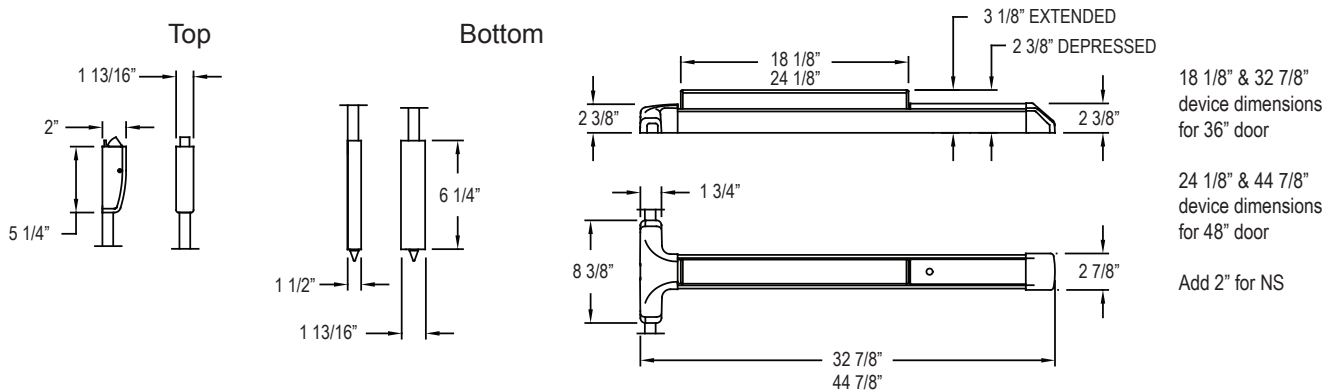
**Accessories**

- Outside Trim (see Value Series Trim Options)
- SN1 - Sex Nut Kit (2 per package)
- GB# - Glass Bead Kits
- NSK - Narrow Kit for 2" narrow stile glass door applications

**Technical Information**

- Door Stile - Fits 2-1/2" stile doors (Std.)
- Door Stile - Fits 2" narrow stile doors - specify NS
- Fasteners - Machine and Self-Drilling Screws standard

**Dimensions**



**Listings and Approvals**



UL Listed  
Panic Hardware



UL Listed Fire Exit Hardware  
for 3 hours, maximum  
4'x10' single doors and  
8'x10' pairs of doors



Meets ADA requirements



UBC 97, Standard 7-2 and  
UL10C for positive pressure



ANSI/BHMA certified A156.3



Meets NFPA 80 & 101  
for Life Safety

**Detex Limited Warranty**

10 Year Mechanical/3 year Electrical  
Limited Manufacturer's Warranty



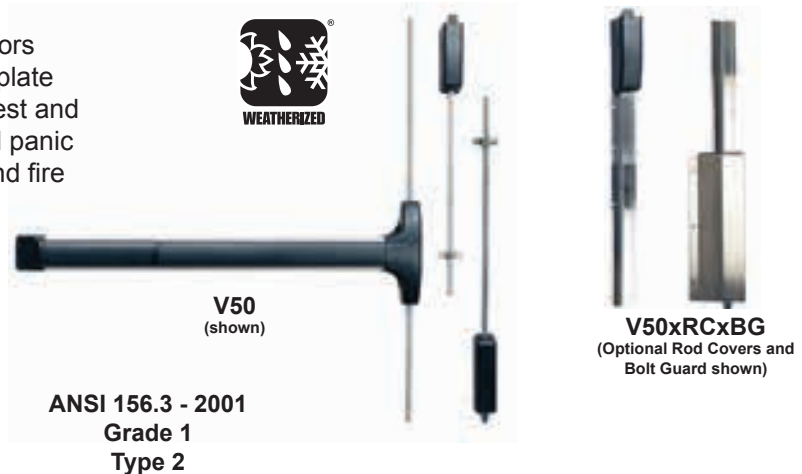
Detex Corporation  
 302 Detex Drive  
 New Braunfels, Texas 78130-3045 USA  
 PH. (830) 629-2900  
 (800) 729-3839  
 FAX (830) 620-6711  
 (800) 653-3839  
<http://www.detex.com>  
 USA Sales:  
[marketing@detex.com](mailto:marketing@detex.com)  
 International Sales:  
[export@detex.com](mailto:export@detex.com)

# VALUE SERIES®

## V50xW/V51xW SERIES

### Weatherized Surface Vertical Rod Device

The **Weatherized V50 Series, surface vertical rod exit device** and **V51 Series, top rod exit device** are heavy-duty **panic and fire exit hardware** for use on all types of double doors without a mullion. The patented mounting plate and strike locator system ensures the easiest and most accurate installation in an economical panic device. In addition to listing as UL panic and fire exit hardware device, this device conforms to UL1034-34 Temperature Section 34, UL1034-54 Dust Section 54, MIL-STD 810F, Method 506.4 (driving rain test); MIL-STD 810F, Method 509.4 (salt fog test) and UBC standard 7-2 (positive pressure).



#### Benefits

- Priced to be the best value for durable, attractive panic hardware
- Fast and accurate installation
- Fits any door in almost any décor
- Minimal door prep saves time and money
- Outside trims are easily changed or rekeyed without removing device from door

#### Features

- Patented mounting plate and strike locator system replaces paper templates
- Handed, field reversible
- Impact resistant ABS and anodized surfaces
- Stainless steel 3/4" deadlocking, Pullman-type top latch bolt
- Field sizable
- Modular design accepts a variety of outside trims and functions
- Bottom drop bolt, 5/8" dia. x 5-5/8" long secures into strike plate
- 1/8 turn dogging
- Standard and narrow stile pull trims available
- Heavy-duty angled end cap
- Heavy-duty ribbed aluminum rail extrusion

#### Mechanical Options

- V51 - Top Rod Only
- 84 - Fits 7' Door Height (Std.)
- NS - Fits 2" Narrow stile glass door
- F - 3-Hour Fire Rated
- 96 - Fits 8' Door Height
- 96 Surface top stike top (Std.)
- HD - Hex Dogging (Std.)
- 120 - Fits 10' Door Height
- 96B Bottom dust proof strike
- CD - Cylinder Dogging
- RC - Rod Covers (630 Brushed Stainless)
- Available with 628 aluminum base rail extrusion
- LD - Less Dogging
- BG - Bottom bolt and 12" ADA ramped cover (630 Brushed Stainless)
- Available with 711 black base rail extrusion
- 36 - Fits 36" Door Widths (Std.)
- 48 - Fits 48" Door Widths

#### Electrical Options

- EBxW - Exit Alarm 9V Battery Weatherized
- EXVxW - Request to Exit Weatherized High Current/Voltage
- EXxW - Request to Exit Weatherized

Refer to Electrified Options section for more information

Where Trust is Built™  
**DETEX**®  
Life Safety and Security Door Hardware

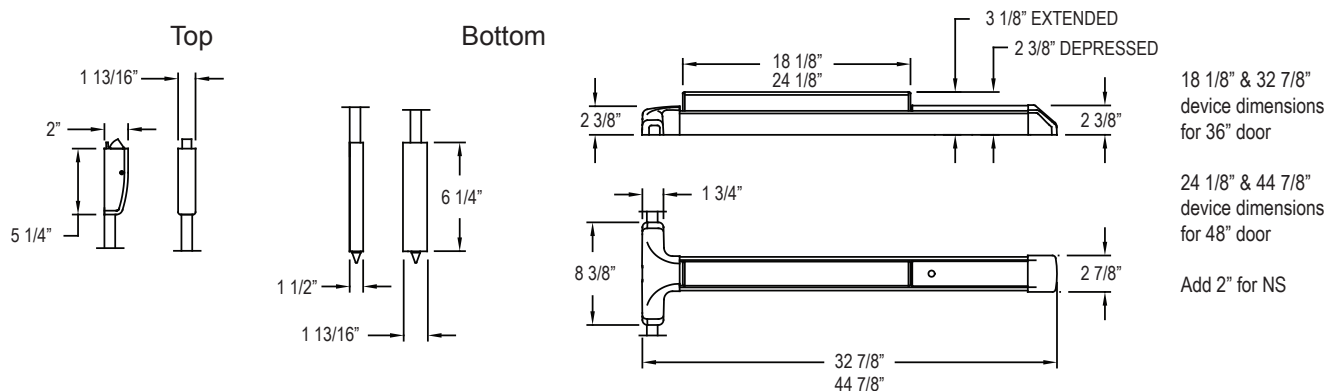
## Accessories

- Outside Trim (see Value Series Trim Options)
- SN1 - Sex Nut Kit (2 per package)
- GB# - Glass Bead Kits
- NSK - Narrow Kit for 2" narrow stile glass door applications

## Technical Information

- Door Stile - Fits 2-1/2" stile doors (Std.)
- Door Stile - Fits 2" narrow stile doors - specify NS
- Fasteners - Machine and Self-Drilling Screws standard

## Dimensions



## Listings and Approvals



UL Listed  
Panic Hardware



UL Listed Fire Exit Hardware  
for 3 hours, maximum  
4'x10' single doors and  
8'x10' pairs of doors  
UL1034 - 34 Temperature  
Section 34 [Temperature Range  
from -31°F (-35°C) to 150°F  
(+66°C)]  
UL1034 - 54 Dust Section 54



Meets ADA requirements



UBC 97, Standard 7-2 and  
UL10C for positive pressure



ANSI/BHMA certified A156.3



Meets NFPA 80 & 101  
for Life Safety

MIL-STD 810F (G), Method 509.4  
(Salt Fog Test)

MIL-STD 810F (G), Method 506.4  
(Driving Rain), Procedure 1

## Detex Limited Warranty

10 Year Mechanical/3 year Electrical  
Limited Manufacturer's Warranty

*Where Trust is Built™*  
**DETEX®**  
*Life Safety and Security Door Hardware*

Detex Corporation  
302 Detex Drive  
New Braunfels, Texas 78130-3045 USA  
PH. (830) 629-2900  
(800) 729-3839  
FAX (830) 620-6711  
(800) 653-3839  
<http://www.detex.com>  
USA Sales:  
[marketing@detex.com](mailto:marketing@detex.com)  
International Sales:  
[export@detex.com](mailto:export@detex.com)



## **BHMA Functions**

**01** - Exit only, no trim

**02** - Entrance by trim when actuating bar is locked down

**03** - Entrance by trim when latch bolt is released by key. Key removable only when locked.

**08** - Entrance by knob or lever. Key locks or unlocks knob or lever.

**09** - Entrance by knob or lever only when released by key. Key removable only when locked.

**14** - Entrance by trim when latch bolt is released by knob, lever. Always active, no cylinder.

**EU2W** - Electric Unlock Trim

# VALUE SERIES®

## OUTSIDE TRIM DESIGNS

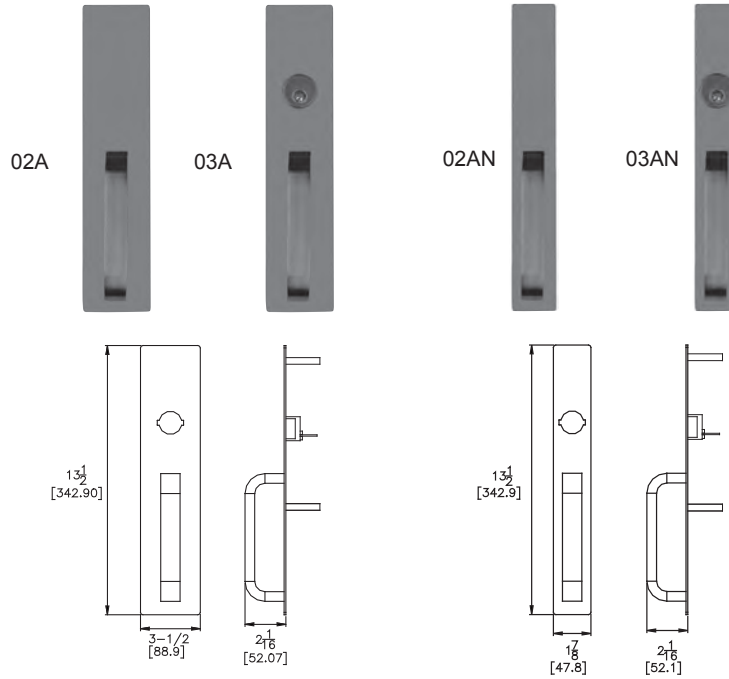
Assorted outside trims provide security for all types of installations. Built to be as durable as the panic devices, these heavy-duty trims will stand up to heavy use and abuse. The versatile design of the trims, combined with the device mounting plate, makes changing functions as simple as replacing the outside trim. This can easily be done without removing the exit device from the door. These trims can be used on V40 Series Rim and V50 Series Surface Vertical Rods. Detex uses the BHMA functions/descriptions for all trims.

### A and AN TRIM

S Pull Standard

**NOTE:** Available in 689 or 693 finishes

Covers 161 Prep

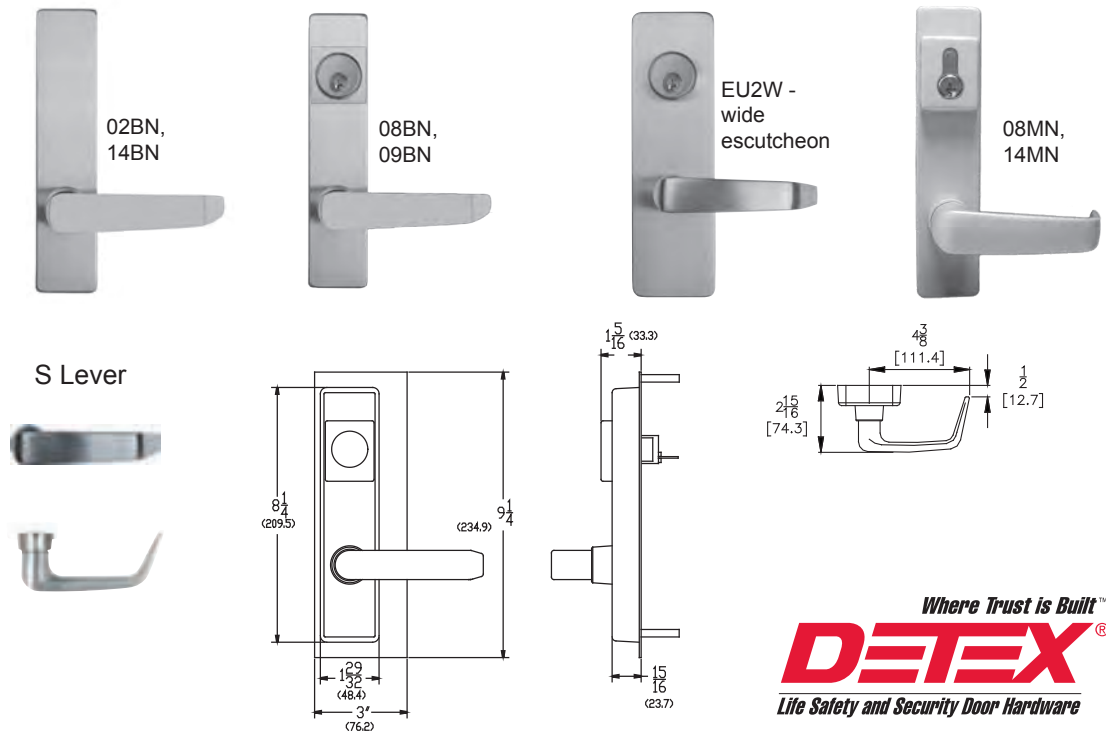


### BN, EU2W and MN Trim

S Lever Standard

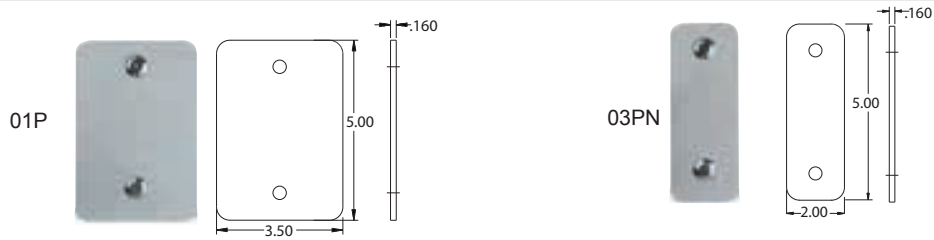
BN and MN Trim Available in 689 or 693 finishes

161 Prep Cover Plate Standard

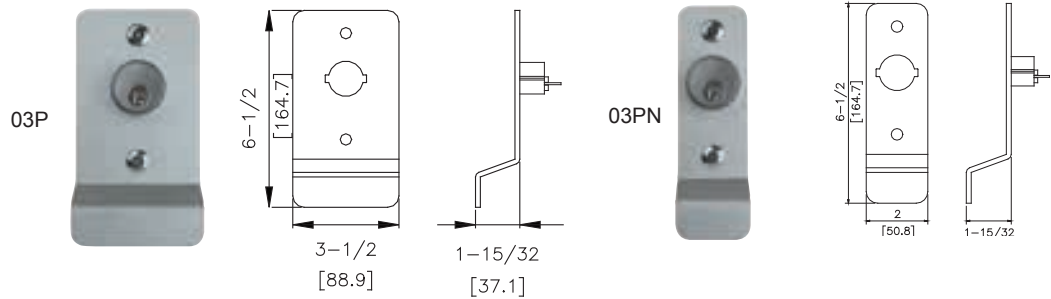


## P and PN Trim

Available in  
628 & 711 finishes

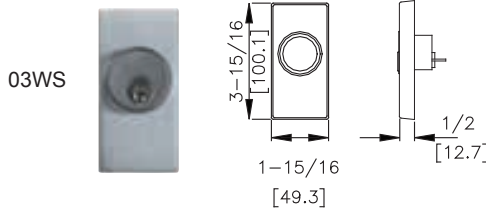


P Trim covers  
161 Prep

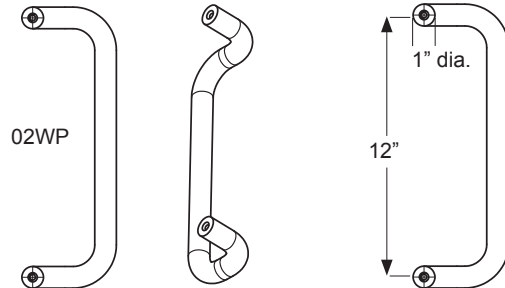


## WS Trim

Available in  
605, 606, 611,  
612, 613, 629  
and 630 finishes



## WP Trim



## BHMA Function/Description

- 02 - Entrance by trim when actuating bar is locked down (dummy trim)
- 03 - Entrance by trim when latch bolt is released by key. Key removable only when locked.
- 08 - Entrance by knob or lever. Key locks or unlocks knob or lever.
- 09 - Entrance by knob or lever only when released by key. Key removable only when locked.
- 14 - Entrance by trim when latch bolt is released by knob or lever. Always active, no cylinder.

## Finishes

605 / US3	Polished Brass	629 / US32	Polished Stainless Steel
606 / US4	Brushed Brass	630 / US32D	Brushed Stainless Steel
611 / US9	Polished Bronze	689	Aluminum Painted
612 / US10	Brushed Bronze	693	Black Painted
613 / US10B	Oil Rubbed Bronze	711	Black Anodized

## Technical Information

- A/AN Trims are Steel Stampings
- BN Trims are Zinc Castings
- P/PN Trims are Aluminum Stampings
- WS Trims are forged Brass
- Value Series trims configured for use with BP2 and BP8 (standard)
- When ordered with device, trims will match mounting plate specified

Where Trust is Built™  
**DETEX**®  
Life Safety and Security Door Hardware

Detex Corporation  
302 Detex Drive  
New Braunfels, Texas 78130-3045 USA  
PH. (830) 629-2900  
(800) 729-3839  
FAX (830) 620-6711  
(800) 653-3839  
<http://www.detex.com>  
USA Sales:  
[marketing@detex.com](mailto:marketing@detex.com)  
International Sales:  
[export@detex.com](mailto:export@detex.com)



## Electrified Options Definitions

<b>V40xEB</b>	Exit Alarm with 9V Battery
<b>V40xEBxW</b>	Exit Alarm with 9V Battery Weatherized - Pushpad Monitor
<b>V40xED</b>	Electric Dogging
<b>V40xEE</b>	Electric Delayed Egress
<b>V40xEH</b>	Exit Alarm with 12VAC Hardwired with 9V Battery Backup
<b>V40xEHxR</b>	Exit Alarm with 12VAC Hardwired with 9V Battery Backup and Remote Signal
<b>V40xEI</b>	Electric Integration - Includes ES Switches, piezo, key switch and 2 LEDs
<b>V40xEM</b>	Electric Delayed Egress with Magnetic Lock
<b>V40xER</b>	Electric Latch Retraction
<b>V40xES</b>	Electric Switching
<b>V40xEX</b>	Request to Exit Signalling
<b>V40xEXxW</b>	Request to Exit Signalling Weatherized
<b>V50xEB</b>	Exit Alarm with 9V Battery
<b>V50xEBxW</b>	Exit Alarm with 9V Battery Weatherized
<b>V50xEE</b>	Electric Delayed Egress
<b>V50xEH</b>	Exit Alarm with 12VAC Hardwired with 9V Battery Backup
<b>V50xEHxR</b>	Exit Alarm with 12VAC Hardwired with Remote Signal and Remote Bypass
<b>V50xER</b>	Electric Latch Retraction
<b>V50xERxW</b>	Weatherized Surface Vertical Rod with Electric Latch Retraction

All Electrified Options are available on Fire Exit Hardware and Hurricane Rated Decives

# VALUE SERIES®

## Alarmed Rim Exit Device (V40xEB/EH)

The V40xEB/EH is designed for **primary and secondary exits** that require an **alarmed panic device**. The **100dB alarm** will sound when someone attempts to exit, alerting management to the unauthorized exit. Available in various configurations, the V40xEB/EH provides security while meeting all life safety concerns, offering an exceptional value.



**V40xEB**  
(Shown with factory installed mortise cylinder - sold separate)



**V40xEBx711xBLK**  
(Shown with factory installed mortise cylinder - sold separate)



**V40xEBx711**  
(Shown with factory installed mortise cylinder - sold separate)

Wide Stile shown, for Narrow Stile, specify NS Option  
(for use on 36" and 48" doors with 2" stiles).

### Benefits

- Priced to be the best value for durable and attractive loss prevention panic hardware
- Reduces employee and customer theft
- Fast and easy installation
- Secure installation prevents mistakes, enhances security and reduces maintenance
- Durable design provides years of trouble-free protection, saving on replacement costs
- Fits almost any door in any décor
- Controls foot traffic, deters unauthorized exits, prevents loss and meets building code requirements

### Features

- V40xEB - Alarmed Exit Device powered by standard 9-volt battery
- V40xEH - Alarmed Exit Device powered by 12V or 24 AC/DC power, with 9-volt battery backup (12V AC standard)
- Stainless steel, 3/4" deadlocking Pullman-type latch bolt
- 100 decibel alarm
- 1/8 turn cylinder dogging
- Heavy-duty angled end cap
- Heavy-duty ribbed aluminum rail extrusion
- Accommodates all types of mortise cylinders with a standard Yale cam (collar required for 7-pin IC cylinders)
- Patented back plate and plastic strike locator provide paperless template for perfect alignment with door and frame
- Single mortise cylinder (sold separate) provides arming and dogging
- State-of-art electronics offer reliable security and instantaneous alarm
- Field selectable key rearm or 2 min. auto rearm
- Visual and audible arming indicators
- Armed and disarmed field selectable status indicator

### Mechanical Options

- CD - Cylinder Dogging (Std.)
- LD - Less Dogging
- 36 - Fits 36" Door Width (Std.)
- 48 - Fits 48" Door Width
- F - 3-Hour Fire Rated
- H - Hurricane Rated
- 99 - Surface Strike (Std.)
- 98 - Semi Mortise Strike
- Available with 628 Base Rail Extrusion (Std.)
- Available with 711 Base Rail Extrusion



## Electrical Options

- R - Remote Signal (Form C signaling when alarm sounds)
- LBM - Latch Bolt Monitoring
- Other Value Series Alarmed Panic Devices Include:
  - Weatherized Alarmed Device powered by standard 9-volt battery (EBxW)
  - Delayed Egress (EE)
  - Delayed Egress with Magnetic Lock (EM)

## Accessories

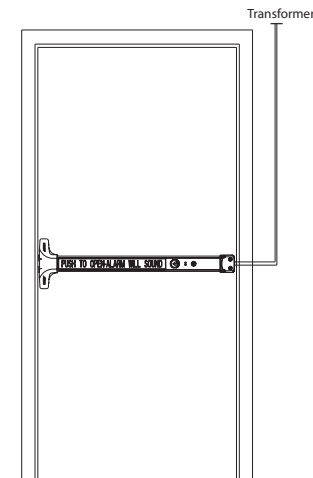
- SN1 - Sex Nut Fasteners
- KS - Key Stop - key removed only when armed
- NSK - Narrow Kit - for 2" narrow stile glass door applications
- Optional Cylinder Nut Wrench P/N: 103779
- Outside Trim (see Value Series Trim Options)



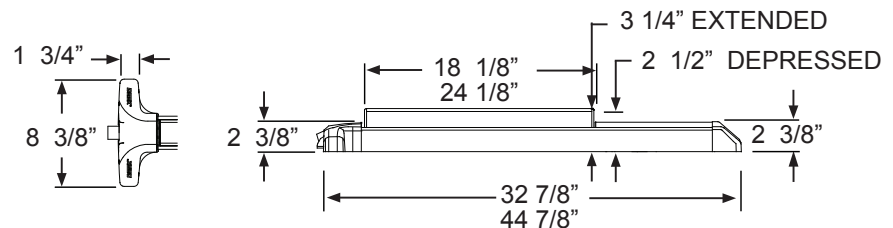
## Technical Information

- Door Types - Wood, Hollow Metal, Fiberglass
- Aluminum doors need to be ordered as a Narrow Stile (NS)
- Door Thickness - Fits standard 1-3/4" - 2-1/4"
- Door Stile - Fits 2-1/2" stile doors with 98 semi-mortise strike (Std.)
- Door Stile - Fits standard doors with 99 strike
- Machine and Self-Drilling Screws (Std.)
- Optional Sex Nuts or Security Torx Screws available

## Riser Diagram



## Dimensions



18 1/8" & 32 7/8" device dimensions for 36" door  
 24 1/8" & 44 7/8" device dimensions for 48" door  
 Add 2" for NS

## Listings and Approvals

- UL Listed Panic Hardware
- UL Listed Fire Exit Hardware for 3 hours, maximum 4'x10' single doors and pairs of 4'x8' with F90KR keyed removable Mullion
- Meets ADA requirements
- UBC 97, Standard 7-2 and UL10C for positive pressure
- ANSI/BHMA certified A156.3
- Meets NFPA 80 & 101 for Life Safety
- Miami-Dade County, Florida NOA 10-0303.02 EXP 04/07/15 State of Florida Approval FL9052
- California State Fire Marshall - 4140-0127:105 and 3725-0127:108

## Detex Limited Warranty

10 Year Mechanical/3 Year Electrical Limited Manufacturer's Warranty

*Where Trust is Built™*  
**DETEX®**  
*Life Safety and Security Door Hardware*

Detex Corporation  
 302 Detex Drive  
 New Braunfels, Texas 78130-3045 USA  
 PH. (830) 629-2900  
 (800) 729-3839  
 FAX (830) 620-6711  
 (800) 653-3839  
<http://www.detex.com>  
 USA Sales:  
[marketing@detex.com](mailto:marketing@detex.com)  
 International Sales:  
[export@detex.com](mailto:export@detex.com)

# VALUE SERIES®

## Weatherized Alarmed Rim Exit Device (V40xEBxW)

The **V40xEBxW** is designed for doors and gates requiring a stand alone, battery powered, alarmed, weatherized panic device. The **100dB alarm** will sound when someone attempts to exit, alerting management to the unauthorized exit. The internal alarm with both remote bypass and remote signaling capabilities is ideal for applications where both security and life safety are a concern. In addition to listing as UL panic and fire exit hardware device, this device conforms to UL1034-34 Temperature Section 34, UL1034-54 Dust Section 54, MIL-STD 810F, Method 506.4 (driving rain test); MIL-STD 810F, Method 509.4 (salt fog test) and UBC standard 7-2 (positive pressure).



**V40xEBxW**  
(Shown with mortise cylinder - sold separately)



**V40xEBxWx711xBLK**  
(Shown with mortise cylinder - sold separately)



**V40xEBxWx711**  
(Shown with mortise cylinder - sold separately)

Wide Stile shown, for Narrow Stile, specify NS Option  
(for use on 36" and 48" doors with 2" stiles).

### Benefits

- Weather resistant loss prevention hardware designed for use in outdoor or wet environments
- Patented back plate and plastic strike locator designed for perfect alignment with door and frame without paper template
- Fast, easy, trouble-free installation prevents costly mistakes and enhances security
- Provides reliable loss prevention protection 24 hours a day
- Controls foot traffic to deter unauthorized exits and reduces employee and customer theft
- Rugged, durable, corrosion-resistant design reduces maintenance
- Aesthetically pleasing design for almost any door or gate in any décor

### Features

- Powered by standard 9-volt battery
- Stainless steel, self-latching bolt
- Angled end cap deflects damage
- Tamper-resistant, immersion-proof security switches
- Covers a 161 door prep
- Plated steel, anodized aluminum and ABS components endure heavy use and exposure to the elements
- Built-in inhibitors prevent ABS fading and weakening, typically caused by exposure to extreme temperatures and UV rays
- 100dB alarm
- Indefinite alarm requiring manual rearm or variable 2 min. alarm duration with auto re-arm
- Cylinder dogging standard (can also be ordered less dogging)
- Visual and audible arming indicators
- Tamper-resistant housing protects electronics, battery and internal hardware, preventing manipulation
- Tapered design sheds rainwater
- Visual and audible low battery alert
- Armed and disarmed field selectable status indicator

### Mechanical Options

- CD - Cylinder Dogging (Std.)
- LD - Less Dogging
- 36 - Fits 36" Door Width (Std.)
- 48 - Fits 48" Door Width
- F - 3-Hour Fire Rated
- H - Hurricane Rated
- 99 - Surface Strike (Std.)
- 98 - Semi Mortise Strike
- Available with 628 Base Rail Extrusion (Std.)
- Available with 711 (Black) Base Rail Extrusion

Where Trust is Built™  
**DETEX**®  
Life Safety and Security Door Hardware

## Electrical Options

- Remote Signal Form C signaling when alarm sounds and remote bypass input allows authorized use without an alarm - standard feature

Other Weatherized Detex Products Include:

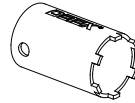
- Request to Exit Signalling Weatherized (EXxW)

- GTPLV40 - Adjustable Gate Plate
- Weatherized Delayed Egress EasyKit (WDEx10)

## Accessories

- SN1 - Sex Nut Fasteners
- KS - Key Stop - key removed only when armed

- NSK - Narrow Kit - for 2" narrow stile glass door applications
- Optional Cylinder Nut Wrench P/N: 103779



- Outside Trim (see Value Series Trim Options)

## Technical Information

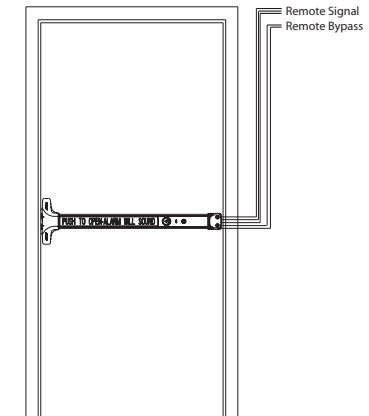
- Door Types - Wood, Hollow Metal, Fiberglass
- 2" Aluminum doors need to be ordered as a narrow stile (NS)
- Door Thickness - Fits standard 1-3/4" - 2-1/4"
- Door Stile - Fits 2-1/2" stile doors with 98 semi-mortise strike

- Door Stile - Fits standard door with 99 surface strike (Std.)
- Exceeds MIL810F Method 506.4 Driving Rain (simulating 4"/hr. rain w/40mph wind)
- Exceeds MIL810F Method 509.4 Salt Fog Test (simulating effects of corrosive environments similar to atmospheric conditions found in costal regions)

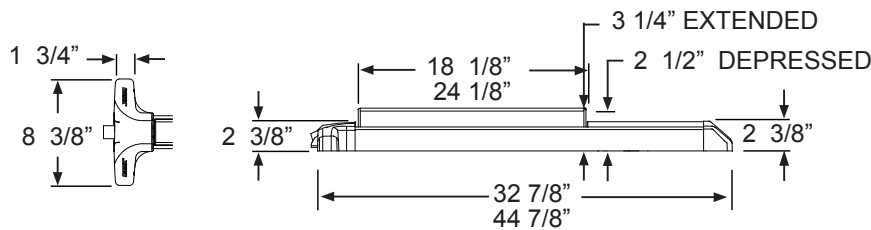
- Machine and Self Drilling Screws (Std.)

- Optional Sex Nuts or Security Torx Screws available

## Riser Diagram



## Dimensions



18 1/8" & 32 7/8" device dimensions for 36" door  
24 1/8" & 44 7/8" device dimensions for 48" door  
Add 2" for NS

## Listings and Approvals



UL Listed  
Panic Hardware



UL Listed Fire Exit Hardware  
for 3 hours, maximum  
4'x10' single doors and pairs of  
4'x8' with F90KR key removable Mullion

UL1034-34 Temperature Section 34  
[Temperature Range -31° F (-35° C) to  
150° F (+66° C)]

UL1034-54 Dust Section 54



Meets ADA requirements

MIL-STD 810F(G), Method 506.4  
(Driving Rain Test)  
MIL-STD 810F(G), Method 509.4  
(Salt fog Test)



UBC 97, Standard 7-2 and  
UL10C for positive pressure



ANSI/BHMA certified A156.3



Meets NFPA 80 & 101  
for Life Safety



Miami-Dade County, Florida  
NOA 10-0303.02 EXP. 04/07/15  
State of Florida Approval FL9052



California State Fire Marshall -  
4140-0127:105 & 3725-0127:108

## Detex Limited Warranty

10 Year Mechanical/3 Year Electrical  
Limited Manufacturer's Warranty

Where Trust is Built™  
**DETEX**®  
Life Safety and Security Door Hardware

Detex Corporation  
302 Detex Drive  
New Braunfels, Texas 78130-3045 USA  
PH. (830) 629-2900  
(800) 729-3839  
FAX (830) 620-6711  
(800) 653-3839  
<http://www.detex.com>  
USA Sales:  
[marketing@detex.com](mailto:marketing@detex.com)  
International Sales:  
[export@detex.com](mailto:export@detex.com)

# VALUE SERIES®

## Electric Dogging (V40xED)

---

The **V40xED** Electric Dogging is designed for entrance and exit doors with panic or fire exit hardware. When energized, and after a pushpad is depressed, the pushpad and the latch bolt remain retracted, providing push-pull operation. Relocking all devices is accomplished by using a single switch or through a fire alarm input.



Wide Stile shown, for Narrow Stile, specify NS Option  
(for use on 36" and 48" doors with 2" stiles).

### Benefits

---

- Priced to be the best value for durable and attractive panic hardware
- Pushpad remains depressed while latch is retracted, preventing unnecessary cycling, for quieter operation
- While dogged, pushpad remains out of the path of egress, removing the typical catch point found with other exit devices
- One-touch operation turns any secured door or group of doors into push-pull openings and releases them as required
- Door remains locked until first activation of pushpad (exit) allows remote activation of dogging mode
- Allows remote deactivation of dogging for instantaneous lockdown mode
- Simple mounting and wiring provide quick, trouble-free installation, saving time and money
- Economical alternative to latch retraction when only dogging is required
- Rugged, durable design reduces maintenance
- Secure installation prevents costly mistakes and enhances security
- Fits almost any door in any décor

### Features

---

- Tamper resistant housing
- Maintained latch and pushpad retraction
- Continuous duty magnet
- Operates on 24VAC or 24VDC

### Mechanical Options

---

- F - 3-Hour Fire Rated
- H - Hurricane Rated
- 36 - Fits 36" Door Width (Std.)
- 48 - Fits 48" Door Width
- 99 - Surface Strike (Std.)
- 98 - Semi Mortise Strike
- Available with 628 Base Rail Extrusion (Std.)
- Available with 711 Base Rail Extrusion

## Electrical Options

- EX - Request to Exit Switch
- 90-800 - 24VDC filtered, regulated with fire loop connection
- 80-800 Power Supply - 24VDC filtered, regulated with fire loop connection with battery charging circuit
- PP-5152-2 24VAC transformer

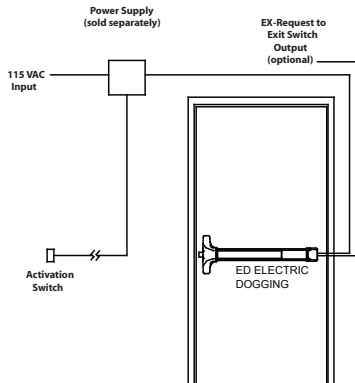
## Accessories

- SN1 - Sex Nut Fasteners
- FC - Flex Conduit and End Cap
- PT5 - Power Transfer
- EWH8-626 - Electric Hinge
- NSK - Narrow Kit - for 2" narrow stile glass door applications
- Outside Trim (see Value Series Trim Options)

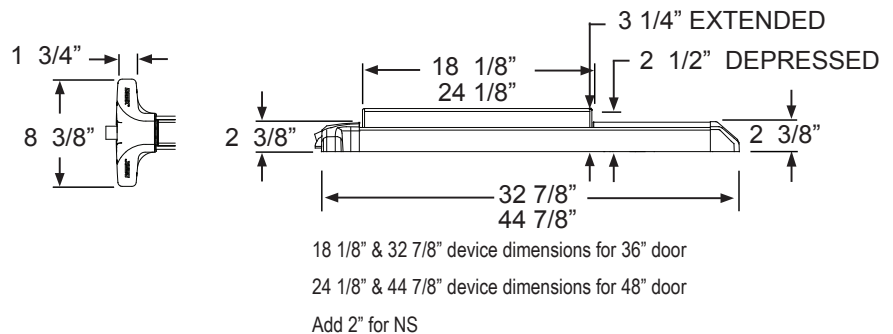
## Technical Information

- Door Types - Wood, Hollow Metal, Fiberglass or Aluminum
- Door Thickness - Fits standard 1-3/4" - 2-1/4"
- Door Stile - Fits 2-1/2" stile doors with 99 surface strike (Std.)
- Door Stile - Fits 2" narrow stile doors - specify NS
- Door Stile - Fits minimum 4-1/8" with 99 strike
- Machine and Self Drilling Screws (Std.)
- Optional Sex Nuts or Security Torx Screws available

## Riser Diagram



## Dimensions



## Listings and Approvals - V40



UL Listed  
Panic Hardware



UL Listed Fire Exit Hardware  
for 3 hours, maximum  
4'x10' single doors and pairs of  
4'x8' with F90KR key removable Mullion



Meets ADA requirements



ULC 97, Standard 7-2 and  
UL10C for positive pressure



ANSI/BHMA certified A156.3



Meets NFPA 80 & 101  
for Life Safety



Miami-Dade County, Florida  
NOA 10-0303.02 EXP. 04/07/15  
State of Florida Approval FL9052



California State Fire Marshal -  
4140-0127:105 and 3725-0127:108

## Detex Limited Warranty

10 Year Mechanical/3 Year Electrical  
Limited Manufacturer's Warranty

*Where Trust is Built™*  
**DETEX®**  
*Life Safety and Security Door Hardware*

Detex Corporation  
302 Detex Drive  
New Braunfels, Texas 78130-3045 USA  
PH. (830) 629-2900  
(800) 729-3839  
FAX (830) 620-6711  
(800) 653-3839  
<http://www.detex.com>  
USA Sales:  
[marketing@detex.com](mailto:marketing@detex.com)  
International Sales:  
[export@detex.com](mailto:export@detex.com)

# VALUE SERIES®

## Delayed Egress Rim Exit Device (V40xEE)

The **V40xEE**, designed for **primary and secondary exits**, provides a secure **15-second delay** and a **100dB alarm** when someone attempts to exit. This 15-second delay allows management time to respond before someone exits and the alarm deters the exit from occurring. Per life safety requirements, the V40xEE must be provided with a fire alarm input, thus providing a system override during a fire emergency. The V40xEE provides security while meeting all life safety concerns, offering an exceptional value.



### Benefits

- Priced to be the best value for durable and attractive delayed egress panic hardware
- Reduces employee and customer theft
- Fast and easy installation
- Secure installation prevents mistakes, enhances security and reduces maintenance
- Durable design provides years of trouble-free protection, saving on replacement costs
- Fits almost any door in any décor
- Controls foot traffic, deters unauthorized exits, prevents loss and meets building code requirements

### Features

- Powered by a 24VDC filtered and regulated power supply
- Power supply delivers a constant 24VDC of filtered and regulated voltage at a rated load of 1A
- Stainless steel, 3/4" deadlocking Pullman-type latch bolt
- Non-handed, field sizeable
- 100dB alarm
- 1/8 turn cylinder dogging
- Sturdy angled end-cap
- Heavy-duty ribbed aluminum rail extrusion
- Accommodates all types of mortise cylinders with a standard Yale cam
- Patented mounting plate and strike locator system provide perfect alignment with door and frame
- Single mortise cylinder provides arming and dogging - can be factory installed
- State-of-the-art electronics offer reliable security and instantaneous alarm
- Visual and audible arming indicators
- 9V battery provides alarm function only in case of power failure
- Armed and disarmed field selectable status indicator
- Delayed arming allows arming after door closes
- Remote signal output and remote bypass input standard
- Alarm triggered by latch bolt movement
- Fire alarm input can be connected at power supply
- Includes delayed egress panic bar, 24VDC filtered and regulated power supply, door sign and 3' conduit loop

## Mechanical Options

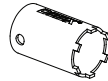
- MC65 - Factory Installed Mortise cylinder
- IC7 - Factory Installed IC Housing
- F - 3-Hour Fire Rated
- H - Hurricane Rated
- CD - Cylinder Dogging (Std.)
- LD - Less Dogging
- KS - Key Stop (Key removed only when armed)
- 36" Door Width (Std.)
- 48" Door Width
- 99 - Surface Strike (Std.)
- 98 - Semi Mortise Strike
- Available with 628 Base Rail Extrusion (Std.)
- Available with 711 Base Rail Extrusion

## Electrical Options

- 30 - 30 second delayed egress available (must have letter from AHJ)
- Other Value Series Delayed Egress Panic Devices Include:
  - Delayed Egress with Electromagnetic Lock (EM)
- AL18 - Surface Armored Loop (Door/Frame mounted)
- PT5 - Power Transfer
- SI- Status Indicators - Armed/Disarmed

## Accessories

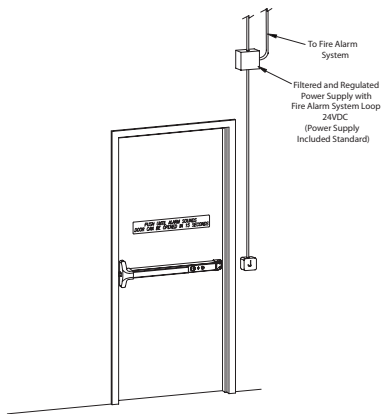
- SN1 - Sex Nut Fasteners
- NSK - Narrow Kit - for 2" narrow stile glass door applications
- Optional Cylinder Nut Wrench P/N: 103779
- Outside Trim (see Value Series Trim Options)
- Foreign Language Signs available Contact Factory



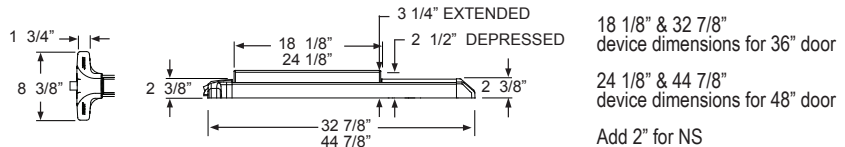
## Technical Information

- Door Types - Wood, Hollow Metal, Fiberglass or Aluminum
- Door Thickness - Fits standard 1-3/4" - 2-1/4"
- Door Stile - Fits 4-1/8" stile doors with 99 surface strike (Std.)
- Door Stile - Fits 2" narrow stile doors - specify NS
- Door Stile - Fits minimum 2-1/2" with 98 strike
- Machine and Self-Drilling Screws (Std.)
- Optional Sex Nuts or Security Torx Screws available

## Riser Diagram



## Dimensions



## Listings and Approvals

- UL Listed
  - Panic Hardware
- UL Listed Fire Exit Hardware for 3 hours, maximum
  - 4'x10' single doors and pairs of 4'x8' with F90KR keyed removable Mullion
  - UL Listed Controlled Exit Device (FULA)
  - UL Listed Special Locking Arrangements (FWAX)
- Meets ADA requirements
- UBC 97, Standard 7-2 and UL10C for positive pressure
- ANSI/BHMA certified (ANSI A156.3 and ANSI A156.24 Grade 1)
- Meets NFPA 80 & 101 for Life Safety
- Miami-Dade County, Florida
  - NOA 10-0303.02 EXP. 04/07/15
  - State of Florida Approval #FL9052
- California State Fire Marshall - 4140-0127:105, 3774-0127:106 and 3725-0127:108

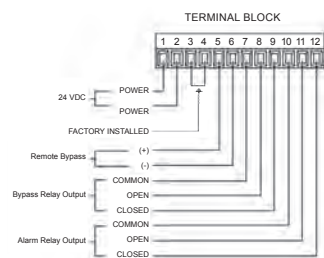
## Detex Limited Warranty

10 Year Mechanical/3 Year Electrical Limited Manufacturer's Warranty

*Where Trust is Built™*  
**DETEX®**  
*Life Safety and Security Door Hardware*

Detex Corporation  
 302 Detex Drive  
 New Braunfels, Texas 78130-3045 USA  
 PH. (830) 629-2900  
 (800) 729-3839  
 FAX (830) 620-6711  
 (800) 653-3839  
<http://www.detex.com>  
 USA Sales:  
[marketing@detex.com](mailto:marketing@detex.com)  
 International Sales:  
[export@detex.com](mailto:export@detex.com)

## Terminal Block



# VALUE SERIES®

## Alarmed Rim Exit Device with Remote Signal and Remote Bypass (V40xEHxR)

The V40xEHxR device option is designed for doors that require a hardwired, alarmed panic device with remote signal and bypass. When the alarm sounds a remote signal can be sent to turn on a remote horn, strobe or other security device. The alarm can also be bypassed using a remote button, keypad, card reader or other access control device. The alarm, with approximately 100dB will sound when someone attempts to exit, alerting management that an unauthorized exit has occurred. With electric switching that monitors the pushpad, the V40xEHxR provides a high level of security while also meeting all life safety concerns.



**V40xEHxR**  
(Shown with mortise cylinder - sold separately)



**V40xEHxRx711xBLK**  
(Shown with mortise cylinder - sold separately)



**V40xEHxRx711**  
(Shown with mortise cylinder - sold separately)

Wide Stile shown, for Narrow Stile, specify NS Option  
(for use on 36" and 48" doors with 2" stiles).

### Benefits

- Priced to be the best value for durable and attractive loss prevention panic hardware
- Reduces employee and customer theft
- Fast and easy installation
- Secure installation prevents mistakes, enhances security and reduces maintenance
- Durable design provides years of trouble free protection, saving on replacement costs
- Fits almost any door in any décor
- Controls foot traffic, deters unauthorized exits, prevents loss and meets building code requirements

### Features

- V40xEHxR - Alarmed Exit Device powered by 12V or 24 AC/DC power, with 9-volt battery backup
- Stainless steel, 3/4" deadlocking Pullman type latch bolt
- Non-handed, field sizeable
- 100 decibel alarm
- 1/8 turn cylinder dogging
- Heavy duty angled end cap
- Heavy duty ribbed aluminum rail extrusion
- Accommodates all types of mortise cylinders with a standard Yale cam (collar required for 7-pin IC cylinders)
- Patented back plate and plastic strike locator provide paperless template for perfect alignment with door and frame
- Single mortise cylinder (sold separate) provides arming and dogging
- State of art electronics offer reliable security and instantaneous alarm
- Field selectable key rearm or 2 min. auto rearm
- Visual and audible arming indicators
- Armed and disarmed field selectable status indicator
- Delayed arming allows arming after door closes

### Mechanical Options

- CD - Cylinder Dogging (Std.)
- LD - Less Dogging
- IC7 - 7 pin small format interchangeable cylinder housing pre-installed at factory
- MC65 - Mortise cylinder pre-installed at factory
- KS - Key Stop - key removed only when armed
- 36 - Fits 36" Door Width (Std.)
- 48 - Fits 48" Door Width
- F - 3-Hour Fire Rated
- H - Hurricane Rated
- 99 - Surface Strike (Std.)
- 98 - Semi Mortise Strike
- Available with 628 Base Rail Extrusion (Std.)
- Available with 711 Base Rail Extrusion



## Electrical Options

- R - Remote Signal - Form C signaling when alarm sounds and remote bypass input allows authorized use without an alarm
- LBM - Latch Bolt Monitoring
- AD1 - 1 Second Arming Delay
- AD2 - 5 Second Arming Delay
- AD3 - 10 Minute Auto Rearm
- AD4 - 20 Minute Auto Rearm

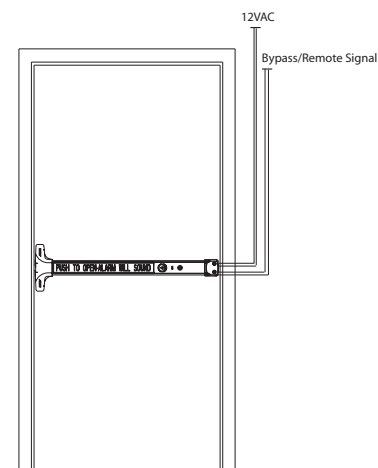
## Accessories

- SN1 - Sex Nut Fasteners
- NSK - Narrow Kit - for 2" narrow stile glass door applications
- Outside Trim (see Value Series Trim Options)

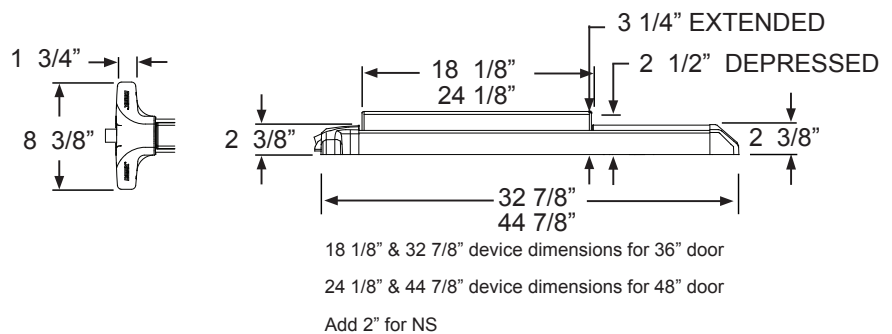
## Technical Information

- Door Types - Wood, Hollow Metal, Fiberglass or Aluminum
- Door Thickness - Fits standard 1-3/4" - 2-1/4"
- Door Stile - Fits 2-1/2" stile doors with 99 surface strike (Std.)
- Door Stile - Fits 2" narrow stile doors - specify NS
- Door Stile - Fits minimum 4-1/8" with 98 strike
- Machine and Self Drilling Screws (Std.)
- Optional Sex Nuts or Security Torx Screws available

## Riser Diagram



## Dimensions



## Listings and Approvals

- UL Listed Panic Hardware
- UL Listed Fire Exit Hardware for 3 hours, maximum 4'x10' single doors and pairs of 4'x8' with F90KR key removable Mullion
- Meets ADA requirements
- UBC 97, Standard 7-2 and UL10C for positive pressure
- ANSI/BHMA certified A156.3
- Meets NFPA 80 & 101 for Life Safety
- Miami-Dade County, Florida NOA 10-0303.02 EXP. 04/07/15 State of Florida Approval FL9052
- California State Fire Marshall - 4140-0127:105 & 3725-0127:108

## Detex Limited Warranty

10 Year Mechanical/3 Year Electrical Limited Manufacturer's Warranty

*Where Trust is Built™*  
**DETEX®**  
*Life Safety and Security Door Hardware*

Detex Corporation  
 302 Detex Drive  
 New Braunfels, Texas 78130-3045 USA  
 PH. (830) 629-2900  
 (800) 729-3839  
 FAX (830) 620-6711  
 (800) 653-3839  
<http://www.detex.com>  
 USA Sales:  
[marketing@detex.com](mailto:marketing@detex.com)  
 International Sales:  
[export@detex.com](mailto:export@detex.com)

# VALUE SERIES®

## Electric Integration Panic Device (V40xEI)

The Electric Integration device, designed for applications where electric integration is required, provides the customer with a means of integration to new or existing systems, including the Detex Series 800 Logic Controller. The customer may select from these components to integrate and create different functions from the single product package. This variety of components offers an alarm to sound, monitor the latch bolt position and/or pushpad when depressed, signals a remote panel by key switch operation when activated from inside or outside authorization, and offers 2 LED's to enhance required functions. The operation of switches will open or close (SPDT) to integrate with digital video recorders, remote alarms, strobe lights, or commence the cycle in a separate delayed egress system.



**V40xEI**  
(Shown with mortise cylinder - sold separately)



**V40xEIxBKxBLK**  
(Shown with mortise cylinder - sold separately)



**V40xEIx711**  
(Shown with mortise cylinder - sold separately)

For use in Value Series rim (V40)

### Benefits

- Priced to be the best value for durable and attractive loss prevention panic hardware
- Fast and easy installation
- Multiple switching choices for ease-of-use
- Durable electronics provide years of trouble free service, saving on replacement costs
- Controls foot traffic, deters unauthorized exits, prevents loss and meets building code requirements
- Integrates with logic controllers, power supplies and most security equipment, to provide reliable integrated loss prevention protection

### Features

- State-of-the-art electronics for reliable security and instantaneous switch activation
- Tamper resistant switching electronically monitors pushpad, latch bolt and outside key access
- 100dB piezo alarm
- Mortise cylinder key switch output (Form C)
- Pushpad/Latch bolt position switch outputs
- Authorized access switch output
- (3) Standard SPDT (Form C) switches
- Simple "plug-in" header type terminal strip located near end cap for easy install
- Dual LED visual arming indicators (one red and one green )
- All switching capable of handling 12 or 24 Volts AC or DC
- Code-compliant door sign

### Mechanical Options

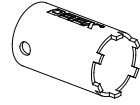
- LD - Less Dogging
- F - 3-Hour Fire Rated
- H - Hurricane Rated
- KS - Key Stop - Key removed only when armed

## Electrical Options

- 10-800 or 11-800 Logic Controller and Power Supply for Electric Integration (required but not included)
- LBM - Latch Bolt Monitoring

## Accessories

- SN1 - Sex Nut Fasteners
- NSK - Narrow Kit - for 2" narrow stile glass door applications
- Security Torx Screws available
- MC65 - Pre-installed Mortise Cylinder
- IC-7 - Pre-installed Interchangeable Core Housing
- FC - Flex Conduit & End-Cap Fittings
- AL18 - Surface Armored Loop (Door Frame mount)
- PT-5 - Power Transfer
- EWH8-626 - Electric Hinge
- Optional Cylinder Nut Wrench P/N: 103779
- Foreign Language Signs available



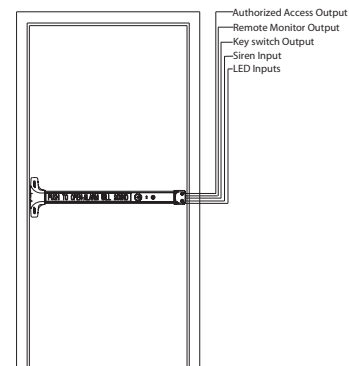
## Technical Information

- Detachable plug-in terminal strip
- Switch jumpers for NO/NC contacts
- Door Stile - Fits 2" narrow stile doors - specify NS
- Through-wire hinge or power transfer compatible
- Machine and Self Drilling Screws (Std.)

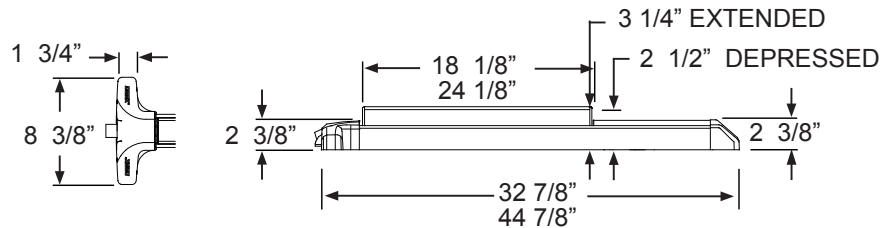
## Finishes

- Available with 628 Base Rail Extrusion (Std.)
- Available with 711 Base Rail Extrusion

## Riser Diagram



## Dimensions



18 1/8" & 32 7/8" device dimensions for 36" door

24 1/8" & 44 7/8" device dimensions for 48" door

Add 2" for NS

## Listings and Approvals



UL Listed  
Panic Hardware



UL Listed Fire Exit Hardware  
for 3 hours, maximum  
4'x10' single doors and pairs of  
4'x8' with F90KR key removable Mullion



Meets ADA requirements



ULC 97, Standard 7-2 and  
UL10C for positive pressure



ANSI/BHMA certified A156.3



Meets NFPA 80 & 101  
for Life Safety



Miami-Dade County, Florida  
NOA 10-0303.02 EXP. 04/07/15  
State of Florida Approval FL9052



California State Fire Marshall -  
4140-0127:105 & 3725-0127:108

## Detex Limited Warranty

10 Year Mechanical/3 Year Electrical  
Limited Manufacturer's Warranty

Where Trust is Built™

**DETEX**®

Life Safety and Security Door Hardware

Detex Corporation  
302 Detex Drive  
New Braunfels, Texas 78130-3045 USA

PH. (830) 629-2900

(800) 729-3839

FAX (830) 620-6711

(800) 653-3839

<http://www.detex.com>

USA Sales:

[marketing@detex.com](mailto:marketing@detex.com)

International Sales:

[export@detex.com](mailto:export@detex.com)

# VALUE SERIES®

## Delayed Egress Rim Exit Device with Magnetic Locking (V40xEM)

The **V40xEM**, designed for **primary and secondary exits**, provides a secure **15-second delay** and a **100dB alarm** when someone attempts to exit. This 15-second delay allows management time to respond before someone exits and the alarm deters the exit from occurring. Per life safety requirements, the V40xEM must be provided with a fire alarm input, thus providing a system override during a fire emergency. The V40xEM provides security while meeting all life safety concerns, offering an exceptional value.



### Benefits

- 2 point locking provides tandem holding force of (1400 lb.) latch bolt and (1500 lb.) electromagnetic lock
- Priced to be the best value for durable and attractive delayed egress panic hardware
- Reduces employee and customer theft
- Fast and easy installation
- Secure installation prevents mistakes, enhances security and reduces maintenance
- Fits almost any door in any décor
- Durable design provides years of trouble-free protection, saving on replacement costs
- Controls foot traffic, deters unauthorized exits, prevents loss and meets building code requirements

### Features

- Powered by a 24VDC filtered and regulated power supply
- Panic Device and power supply have passed testing for electrostatic discharge (ESD) by an independent testing laboratory
- Power supply delivers a constant 24VDC of filtered and regulated voltage at a rated load of 1A, including ripple rejection and transient noise suppression circuitry
- Stainless steel, 3/4" deadlocking Pullman-type latch bolt
- Non-handed, field sizeable
- 100dB alarm
- 1/8 turn cylinder dogging
- Sturdy angled end-cap
- Heavy-duty ribbed aluminum rail extrusion
- Accommodates all types of mortise cylinders with a standard Yale cam
- Patented mounting plate and strike locator system provide perfect alignment with door and frame
- Single mortise cylinder provides arming and dogging - can be factory installed
- State-of-the-art electronics offer reliable security and instantaneous alarm
- Visual and audible arming indicators
- 9V battery provides alarm function only in case of power failure
- Armed and disarmed field selectable status indicator
- Delayed arming allows arming after door closes
- Remote signal output and remote bypass input standard
- Alarm triggered by latch bolt movement
- Fire alarm input can be connected at power supply or panic bar
- Includes delayed egress panic bar, 24VDC filtered and regulated power supply, 1500 lb electromagnetic lock, door sign and 3' conduit loop

## Mechanical Options

- MC65 - Factory Installed Mortise cylinder
- IC7 - Factory Installed IC Housing
- F - 3-Hour Fire Rated
- H - Hurricane Rated

- CD - Cylinder Dogging (Std.)
- LD - Less Dogging
- 36" Door Width (Std.)
- 48" Door Width
- 99 - Surface Strike (Std.)

- 98 - Semi Mortise Strike
- KS - Key Stop (Key removed only when armed)
- Available with 628 Base Rail Extrusion (Std.)
- Available with 711 Base Rail Extrusion

## Electrical Options

- 30 Second Delayed Egress (must have letter from AHJ)

- AL18 - Surface Armored Loop (Door/Frame mounted)
- PT5 - Power Transfer

- Other Value Series Delayed Egress Panic Devices Include:
- Delayed Egress (EE)

## Accessories

- SN1 - Sex Nut Fasteners
- NSK - Narrow Kit - for 2" narrow stile glass door applications

- Outside Trim (see Value Series Trim Options)

- Foreign Language Signs available Contact Factory

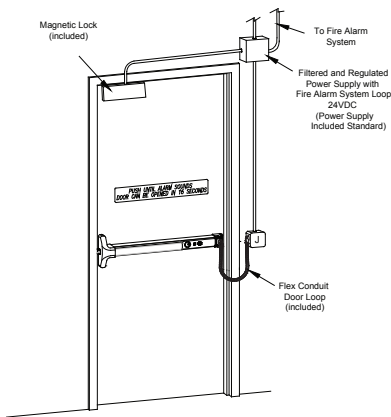
## Technical Information

- Door Types - Wood, Hollow Metal, Fiberglass or Aluminum
- Door Thickness - Fits standard 1-3/4" - 2-1/4"
- Door Stile - Fits 2-1/2" stile doors with 99 surface strike (Std.)

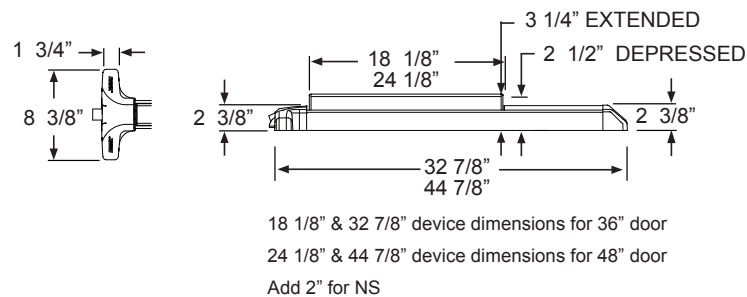
- Door Stile - Fits 2" narrow stile doors - specify NS
- Door Stile - Fits minimum 4-1/8" with 98 strike

- Machine and Self-Drilling Screws (Std.)
- Optional Sex Nuts or Security Torx Screws available

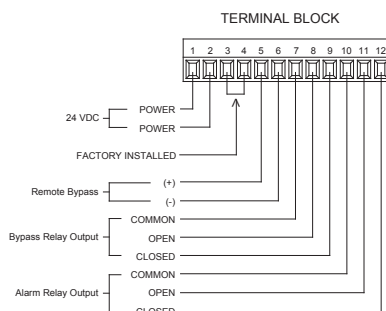
## Riser Diagram



## Dimensions



## Terminal Block



## Listings and Approvals



UL Listed  
Panic Hardware



UL Listed Fire Exit Hardware for 3 hours, maximum  
4'x10' single doors and pairs of 4'x8' with F90KR keyed removable Mullion  
UL Listed Controlled Exit Device (FULA)  
UL Listed Special Locking Arrangements (FWAX)



Meets ADA requirements



UBC 97, Standard 7-2 and UL10C for positive pressure



ANSI/BHMA certified (ANSI A156.3 and ANSI A156.24 Grade 1)



Meets NFPA 80 & 101 for Life Safety



Miami-Dade County, Florida  
NOA 10-0303.02 EXP. 04/07/15  
State of Florida Approval #FL9052



California State Fire Marshal -  
4140-0127:105, 3774-0127:106 and 3725-0127:108

## Detex Limited Warranty

10 Year Mechanical/3 Year Electrical Limited Manufacturer's Warranty

*Where Trust is Built™*  
**DETEX®**  
*Life Safety and Security Door Hardware*

Detex Corporation  
302 Detex Drive  
New Braunfels, Texas 78130-3045 USA  
PH. (830) 629-2900  
(800) 729-3839  
FAX (830) 620-6711  
(800) 653-3839  
<http://www.detex.com>  
USA Sales:  
[marketing@detex.com](mailto:marketing@detex.com)  
International Sales:  
[export@detex.com](mailto:export@detex.com)

# VALUE SERIES®

## Electric Latch Retraction Panic Device (V40xER)

---

The Electric Latch Retraction (V40xER) exit device option is designed for entrance and exit doors with panic or fire exit hardware where remote unlocking, remote dogging, access control or automatic door operator is desired.



V40xERx711xBLK

Wide Stile shown, for Narrow Stile, specify NS Option  
(for use on 36" and 48" doors with 2" stiles).

---

### Benefits

- Durable design provides years of trouble free protection, saving on replacement costs
- Fits almost any door in any décor
- Controls foot traffic, deters unauthorized exits, prevents loss and meets building code requirements

---

### Features

- Voltage - 24VDC
- Momentary or maintained latch and pushpad retraction
- Requires 81-800, 82-800 or 83-800 Controller and Power Supply - sold separately
- Continuous Duty Motor - quiet operation
- Optional EX Exit Switch - Pushpad monitor switch

---

### Mechanical Options

- 36 - Fits 36" Door Width (Std.)
- H - Hurricane Rated
- Available with 628 Base Rail Extrusion (Std.)
- 48 - Fits 48" Door Width
- 99 - Surface Strike (Std.)
- Available with 711 Base Rail Extrusion
- F - 3-Hour Fire Rated
- 98 - Semi Mortise Strike

---

### Electrical Options

- 81-800, 82-800 or 83-800 Logic Controller and Power Supply (Required - sold separately)

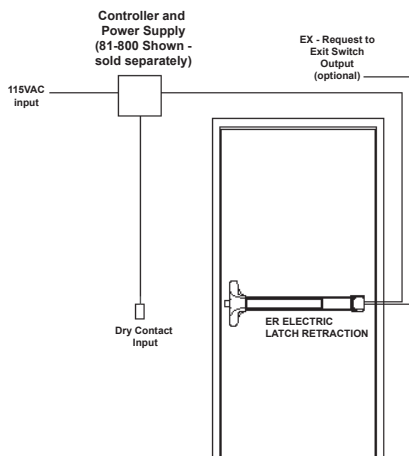
## Accessories

- SN1 - Sex Nut Fasteners
- NSK - Narrow Kit - for 2" narrow stile glass door applications
- Outside Trim (see Value Series Trim Options)

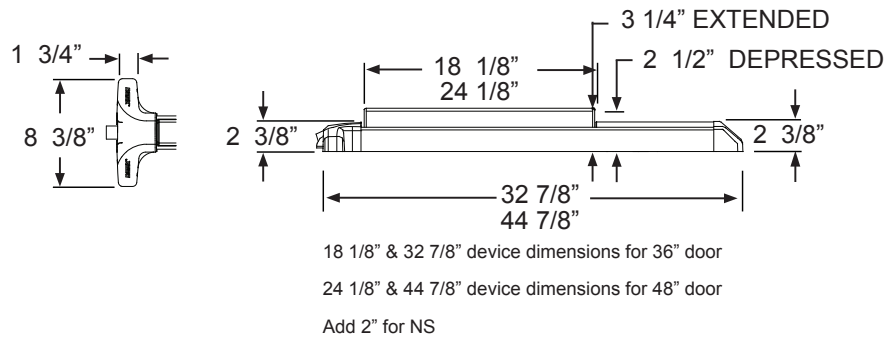
## Technical Information

- Door Types - Wood, Hollow Metal, Fiberglass or Aluminum
- Door Stile - Fits 2" narrow stile doors - specify NS
- Machine and Self-Drilling Screws (Std.)
- Door Thickness - Fits standard 1-3/4" - 2-1/4"
- Door Stile - Fits minimum 4-1/8" with 98 strike
- Optional Sex Nuts or Security Torx Screws available

## Riser Diagram



## Dimensions



## Listings and Approvals

- UL Listed Panic Hardware
- UL Listed Fire Exit Hardware for 3 hours, maximum 4'x10' single doors and pairs of 4'x8' with F90KR key removable Mullion
- Meets ADA requirements
- UBC 97, Standard 7-2 and UL10C for positive pressure
- ANSI/BHMA certified A156.3
- Meets NFPA 80 & 101 for Life Safety
- Miami-Dade County, Florida NOA 10-0303.02 EXP. 04/07/15 State of Florida Approval FL9052
- California State Fire Marshall - 4140-0127:105 & 3725-0127:108

## Detex Limited Warranty

10 Year Mechanical/3 Year Electrical Limited Manufacturer's Warranty

*Where Trust is Built™*  
**DETEX®**  
*Life Safety and Security Door Hardware*

Detex Corporation  
302 Detex Drive  
New Braunfels, Texas 78130-3045 USA  
PH. (830) 629-2900  
(800) 729-3839  
FAX (830) 620-6711  
(800) 653-3839  
<http://www.detex.com>  
USA Sales:  
[marketing@detex.com](mailto:marketing@detex.com)  
International Sales:  
[export@detex.com](mailto:export@detex.com)

# VALUE SERIES®

## Electric Switching Rim Exit Device (V40xES)

---

The Electric Switching (V40xES) device option is designed for doors that require a means of switching when someone depresses the pushpad on the panic device during egress or retracts the latch using an authorized key in an outside trim. Always used in conjunction with other security items, the V40xES provides a normally closed or normally open contact that can be used for a variety of different uses such as activating a remote horn or strobe. The V40xES is UL listed as panic and fire exit hardware as well as UBC standard 7-02 (positive pressure).



Wide Stile shown, for Narrow Stile, specify NS Option  
(for use on 36" and 48" doors with 2" stiles).

---

### Benefits

- Priced to be the best value for durable and attractive loss prevention panic hardware
- Reduces employee and customer theft
- Fast and easy installation
- Secure installation prevents mistakes, enhances security and reduces maintenance
- Controls foot traffic, deters unauthorized exits, prevents loss and meets building code requirements

---

### Features

- Signal switching monitors latch bolt, pushpad and authorized access
- Remote bypass capability
- Switch jumpers for NO/NC contacts

---

### Mechanical Options

- CD - Cylinder Dogging (Std.)
- LD - Less Dogging
- F - 3-Hour Fire Rated
- H - Hurricane Rated
- FC - Flex Conduit Loop (3') and end-cap connector

---

### Electrical Options

- R - Remote Signal (Form C signaling when alarm sounds)
- LBM - Latch Bolt Monitoring



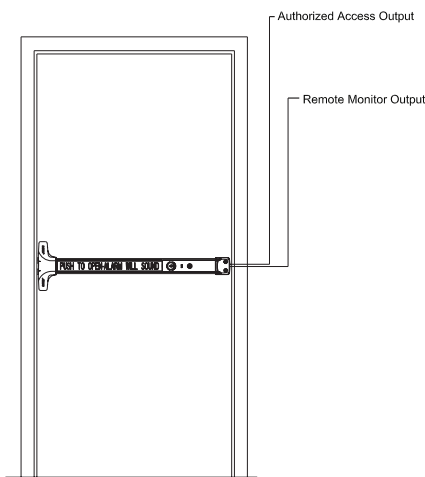
## Accessories

- SN1 - Sex Nut Fasteners
- KS - Key Stop - key removed only when armed
- NSK - Narrow Kit - for 2" narrow stile glass door applications
- SSK - Security Torx Screws
- MC65 - Pre-Installed mortise cylinder
- IC7 - Pre-installed interchangeable core housing
- PT5 - Power Transfer
- EWH8-626 - Electric Hinge

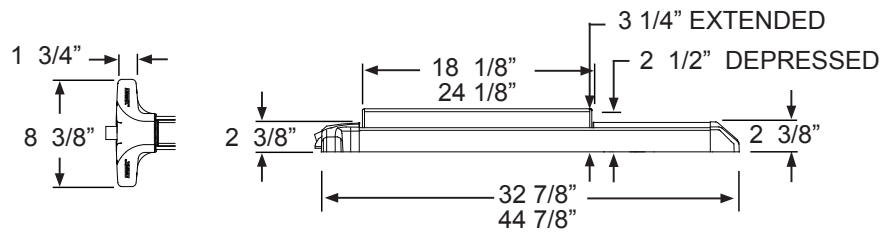
## Technical Information

- Door Stile - Fits 2" narrow stile doors - specify NS
- Detachable plug-in terminal strip
- Through-wire or power transfer compatible
- Machine and Self Drilling Screws (Std.)
- Switch jumpers for NO/NC contacts

## Riser Diagram



## Dimensions



18 1/8" & 32 7/8" device dimensions for 36" door

24 1/8" & 44 7/8" device dimensions for 48" door

Add 2" for NS

## Listings and Approvals



UL Listed  
Panic Hardware

LISTED

UL Listed Fire Exit Hardware  
for 3 hours, maximum



4'x10' single doors and pairs of  
4'x8' with F90KR key removable Mullion



Meets ADA requirements



UBC 97, Standard 7-2 and  
UL10C for positive pressure



ANSI/BHMA certified A156.3



Meets NFPA 80 & 101  
for Life Safety



Miami-Dade County, Florida  
NOA 10-0303.02 EXP. 04/07/15  
State of Florida Approval FL9052



California State Fire Marshall -  
4140-0127:105 & 3725-0127:108

## Detex Limited Warranty

10 Year Mechanical/3 Year Electrical  
Limited Manufacturer's Warranty

*Where Trust is Built™*  
**DETEX®**  
*Life Safety and Security Door Hardware*

Detex Corporation  
302 Detex Drive  
New Braunfels, Texas 78130-3045 USA  
PH. (830) 629-2900  
(800) 729-3839  
FAX (830) 620-6711  
(800) 653-3839  
<http://www.detex.com>  
USA Sales:  
[marketing@detex.com](mailto:marketing@detex.com)  
International Sales:  
[export@detex.com](mailto:export@detex.com)

# VALUE SERIES®

## Electric Request to Exit Switching (V40xEX)

The **V40xEX** Electric Request to Exit Switching device, designed for applications where electric signaling is required, provides the customer with a means of signaling when the push pad is depressed. The EX Exit Switching monitors the pushpad and when depressed, will open or close (SPDT) to signal an alarm, send a remote signal to monitor egress, or commence the cycle in a separate delayed egress system.



Wide Stile shown, for Narrow Stile, specify NS Option  
(for use on 36" and 48" doors with 2" stiles).

### Benefits

- Priced to be the best value for panic exit hardware
- Provides reliable loss prevention protection 24-hours a day
- Rugged, durable design reduces maintenance
- Integrates with other loss prevention equipment
- Large, steel reinforced pushpad with black ABS cover resists damage
- Secure installation prevents costly mistakes and enhances security
- Withstands over 1400 pounds of static pull force for greater security
- Fits almost any door in any décor
- Patented back plate and plastic strike locator designed for perfect alignment with door and frame without paper template

### Features

- Stainless steel self-latching bolt
- Heavy-duty angled end cap
- Tamper resistant housing protects internal switching, preventing manipulation
- Tamper-resistant switching electronically monitors pushpad
- Standard SPDT (Form C) switch with three wires, Yellow (N/O), Brown (Common) & Green (N/C), creating either a Normally Open or Closed contact
- Switch capable of signalling at low currents for integration to a central control station
- To shunt power to an electromagnetic lock, specify EXV

## Mechanical Options

- CD - Cylinder Dogging
- HD - Hex Dogging (Std.)
- LD - Less Dogging
- F - 3-Hour Fire Rated
- H - Hurricane Rated
- 36 - Fits 36" Door Width (Std.)
- 48 - Fits 48" Door Width
- 99 - Surface Strike (Std.)
- 98 - Semi Mortise Strike
- Available with 628 Base Rail Extrusion (Std.)
- Available with 711 Base Rail Extrusion
- RWE - Red pushpad with white lettering

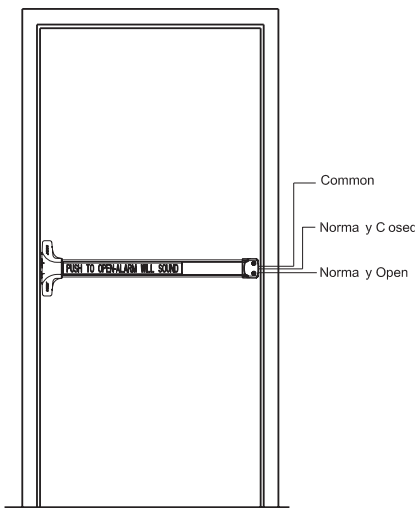
## Accessories

- SN1 - Sex Nut Fasteners
- NSK - Narrow Kit - for 2" narrow stile glass door applications
- SSK3 - Security Screw Kit
- FC - Flex Conduit Kit 3' mounts to end cap device
- Outside Trim (see Value Series Trim Options)

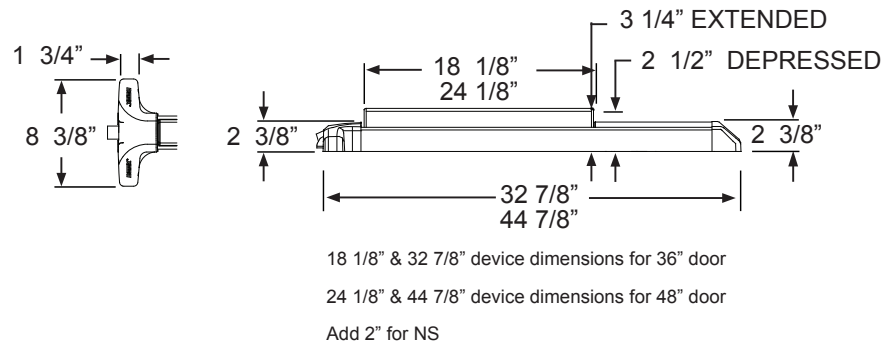
## Technical Information

- Door Types - Wood, Hollow Metal, Fiberglass or Aluminum
- Door Thickness - Fits standard 1-3/4" - 2-1/4"
- Door Stile - Fits 2-1/2" stile doors with 99 surface strike (Std.)
- Door Stile - Fits 2" narrow stile doors - specify NS
- Door Stile - Fits minimum 4-1/8" with 98 strike
- Machine and Self Drilling Screws (Std.)
- Optional Sex Nuts or Security Torx Screws available

## Riser Diagram



## Dimensions



## Listings and Approvals

- UL Listed Panic Hardware
- UL Listed Fire Exit Hardware for 3 hours, maximum 4'x10' single doors and pairs of 4'x8' with F90KR key removable Mullion
- Meets ADA requirements
- UBC 97, Standard 7-2 and UL10C for positive pressure
- ANSI/BHMA certified A156.3
- Meets NFPA 80 & 101 for Life Safety
- Miami-Dade County, Florida NOA 10-0303.02 EXP. 04/07/15 State of Florida Approval FL9052
- California State Fire Marshall - 4140-0127:105 & 3725-0127:108

## Detex Limited Warranty

10 Year Mechanical/3 Year Electrical Limited Manufacturer's Warranty



Detex Corporation  
 302 Detex Drive  
 New Braunfels, Texas 78130-3045 USA  
 PH. (830) 629-2900  
 (800) 729-3839  
 FAX (830) 620-6711  
 (800) 653-3839  
<http://www.detex.com>  
 USA Sales:  
[marketing@detex.com](mailto:marketing@detex.com)  
 International Sales:  
[export@detex.com](mailto:export@detex.com)

# VALUE SERIES®

## Electric Request to Exit Switching Weatherized (V40xEXxW)

The **V40xEXxW** Electric Request to Exit Switching device, designed for outdoor gates and other wet environments, provides the customer with a means of signaling when the pushpad is depressed. This will open or close switch contacts (SPDT) and signal an alarm, remote strobe light or commence the cycle in a separate delayed egress system.



### Benefits

- Priced to be the best value for panic exit hardware
- Provides reliable loss prevention protection 24-hours a day
- Rugged, weatherized and corrosion resistant for years of reliable service
- Integrates with other loss prevention equipment
- Large, steel reinforced pushpad with black ABS cover resists damage
- Secure installation prevents costly mistakes and enhances security
- Withstands over 1400 pounds of static pull force for greater security
- Fits almost any door in any décor
- Patented back plate and plastic strike locator designed for perfect alignment with door and frame without paper template

### Features

- Stainless steel, 3/4" throw deadlocking latch bolt
- Heavy-duty angled end cap
- Tamper resistant switching electronically monitors pushpad
- Covers a 161 door prep
- Standard SPDT (Form C) switch with three wires, Yellow (N/O), Brown (Common) & Green (N/C), creating either a Normally Open or Closed contact
- Weatherized switch for signalling at low currents to a central control station
- Fits 2" narrow stile doors with optional narrow stile door kit
- With stands environmental elements when installed on gates or exterior doors
- To shunt power to an electromagnetic lock, specify EXV.

## Mechanical Options

- CD - Cylinder Dogging
- HD - Hex Dogging (Std.)
- LD - Less Dogging
- F - 3-Hour Fire Rated
- H - Hurricane Rated
- 36 - Fits 36" Door Width (Std.)
- 48 - Fits 48" Door Width
- 99 - Surface Strike (Std.)
- 98 - Semi Mortise Strike
- 95 - Double Door Strike
- GTPLV40 - Adjustable Gate Plate
- Available with 628 Base Rail Extrusion (Std.)
- Available with 711 (Black) Base Rail Extrusion
- RWE - Red pushpad with white lettering

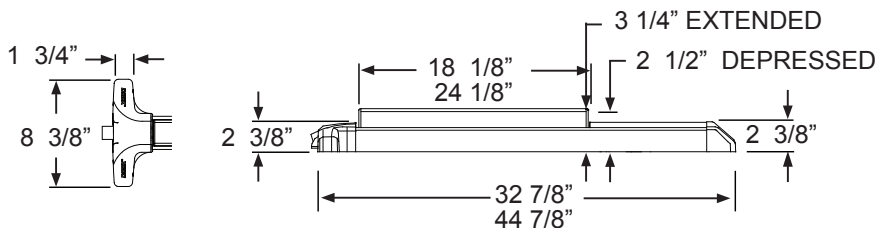
## Accessories

- SN1 - Sex Nut Fasteners
- KS - Key Stop - key removed only when armed
- NSK - Narrow Kit - for 2" narrow stile glass door applications
- SSK3 - Security Screw Kit
- FC - Flex Conduit Kit for endcap to transfer wire to frame
- Outside Trim (see Value Series Trim Options)

## Technical Information

- Door Types - Wood, Hollow Metal, Fiberglass or Aluminum
- Door Thickness - Fits standard 1-3/4" - 2-1/4"
- Door Stile - Fits 2-1/2" stile doors with 99 surface strike (Std.)
- Door Stile - Fits 2" narrow stile doors - specify NS
- Door Stile - Fits minimum 4-1/8" with 98 strike
- Machine and Self Drilling Screws (Std.)
- Optional Sex Nuts or Security Torx Screws available

## Dimensions

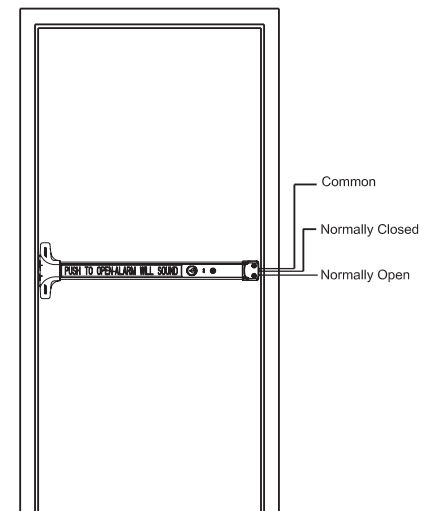


18 1/8" & 32 7/8" device dimensions for 36" door

24 1/8" & 44 7/8" device dimensions for 48" door

Add 2" for NS

## Riser Diagram



## Listings and Approvals



UL Listed  
Panic Hardware



UL Listed Fire Exit Hardware  
for 3 hours, maximum  
4'x10' single doors and pairs of  
4'x8' with F90KR key removable Mullion

UL1034-34 Temperature Section 34  
[Temperature Range 31° F (-35° C) to  
151° F (+66° C)]

UL1034-54 Dust Section 54



Meets ADA requirements

MIL-STD 810F(G), Method 506.4  
(Driving Rain Test)  
MIL-STD 810F(G), Method 509.4  
(Salt fog Test)



ULC 97, Standard 7-2 and  
UL10C for positive pressure



ANSI/BHMA certified A156.3



Meets NFPA 80 & 101  
for Life Safety



Miami-Dade County, Florida  
NOA 10-0303.02 EXP. 04/07/15  
State of Florida Approval FL9052



California State Fire Marshall -  
4140-0127:105 & 3725-0127:108

## Detex Limited Warranty

10 Year Mechanical/3 Year Electrical  
Limited Manufacturer's Warranty

Where Trust is Built™  
**DETEX**®  
Life Safety and Security Door Hardware

Detex Corporation  
302 Detex Drive  
New Braunfels, Texas 78130-3045 USA

PH. (830) 629-2900

(800) 729-3839

FAX (830) 620-6711

(800) 653-3839

<http://www.detex.com>

USA Sales:

[marketing@detex.com](mailto:marketing@detex.com)

International Sales:

[export@detex.com](mailto:export@detex.com)

# VALUE SERIES®

## Alarmed Surface Vertical Rod Device (V50xEB/EH)

The V50xEB/EH is designed for primary and secondary exits that require an alarmed surface vertical rod exit device. The 100dB alarm will sound when someone attempts to exit, alerting management to the unauthorized exit. Available in various configurations, the V50xEB/EH provides security while meeting all life safety concerns, offering exceptional value.



### Benefits

- Priced to be the best value for durable, attractive 2 point locking loss prevention panic hardware
- Reduces employee and customer theft
- 2 Point locking provides superior holding force
- Fast and accurate installation
- Secure installation prevents mistakes, enhances security and reduces maintenance
- Durable design provides years of trouble-free protection, saving on replacement cost
- Minimal door prep saves time and money
- Fits any door in almost any décor
- Controls foot traffic, deters unauthorized exits, prevents loss and meets building code requirements

### Features

- V50xEB - Alarmed 2 point surface vertical rod exit device powered by standard 9-volt battery
- V50xEH - Alarmed 2 point surface vertical rod exit device powered by 12V or 24V AC/DC with standard 9-volt battery backup
- Stainless steel, 3/4" deadlocking Pullman-type top latch bolt
- Bottom drop bolt, 5/8" dia. x 5-5/8" long secures into strike plate
- Handed, field reversible, field sizeable
- 100 decibel alarm
- 1/8 turn dogging
- Heavy-duty angled end cap
- Heavy-duty ribbed aluminum rail extrusion
- Accommodates all types of mortise cylinders with a standard Yale cam (collar required for 7-pin IC cylinders)
- Patented mounting plate and strike locator system replaces paper template
- Single mortise cylinder (sold separate) provides arming and dogging
- State-of-art electronics offer reliable security and instantaneous alarm
- Field selectable key rearm or 2 min. auto rearm
- Visual and audible arming indicators
- Armed and disarmed field selectable status indicator
- Delayed arming allows arming after door closes
- Impact resistant ABS and anodized surfaces
- Modular design accepts a variety of outside trims and functions
- Standard and narrow stile pull trims available

### Mechanical Options

- V51 - Top Rod Only
- F - 3-Hour Fire Rated
- CD - Cylinder Dogging (Std.)
- LD - Less Dogging
- 36 - Fits 36" Door Widths (Std.)
- 48 - Fits 48" Door Widths
- 84 - Fits 7' Door Height (Std.)
- 96 - Fits 8' Door Height
- 120 - Fits 10' Door Height
- RC - Rod Covers (630 Brushed Stainless)
- BG - Bottom bolt and 12" ADA ramped cover (630 Brushed Stainless)

Where Trust is Built™  
**DETEX**®  
Life Safety and Security Door Hardware

## Mechanical Options Cont'd

- NS - Fits 2" Narrow stile glass door
- 96 Surface top stike top (Std.)
- 96B Bottom dust proof strike
- Available with 628 base rail extrusion
- Available with 711 base rail extrusion
- RWE - Red pushpad with white English text standard (contact factory for list of available languages)

## Electrical Options

- Electric Battery Alarm (EB)
  - Electric Hardwired Alarm (EH)
  - Delayed Egress (EE)
  - Electric Hardwired Alarm with Remote Signal (EHxR)
- Refer to Electrified Options section for more information

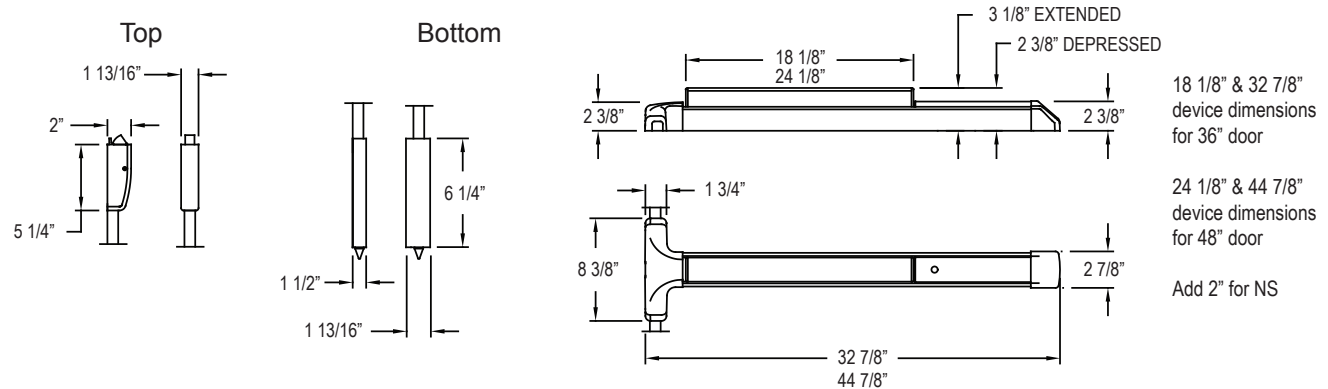
## Accessories

- Outside Trim (see Value Series Trim Options)
- SN1 - Sex Nut Kit (2 per package)
- GB# - Glass Bead Kits
- KS - Key Stop - key removed only when armed
- NSK - Narrow Kit for 2" narrow stile glass door applications

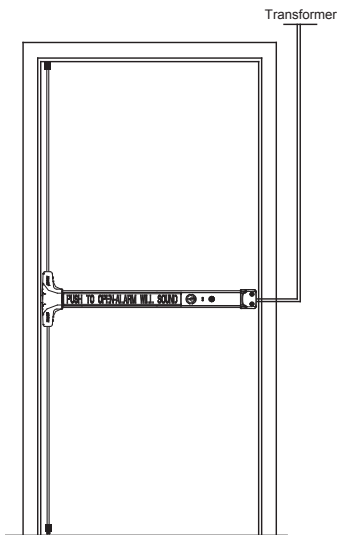
## Technical Information

- Door Stile - Fits 2-1/2" stile doors (Std.)
- Door Stile - Fits 2" narrow stile doors - specify NS
- Fasteners - Machine and Self-Drilling Screws standard

## Dimensions



## Riser Diagram



(Shown with optional hardware)

## Listings and Approvals

- UL LISTED  
UL Listed  
Panic Hardware
- UL LISTED  
UL Listed Fire Exit Hardware  
for 3 hours, maximum  
4'x10' single doors and  
8'x10' pairs of doors
- Meets ADA requirements
- UBC 97, Standard 7-2 and  
UL10C for positive pressure
- BHMA CERTIFIED  
ANSI/BHMA certified A156.3
- NFPA  
Meets NFPA 80 & 101  
for Life Safety

## Detex Limited Warranty

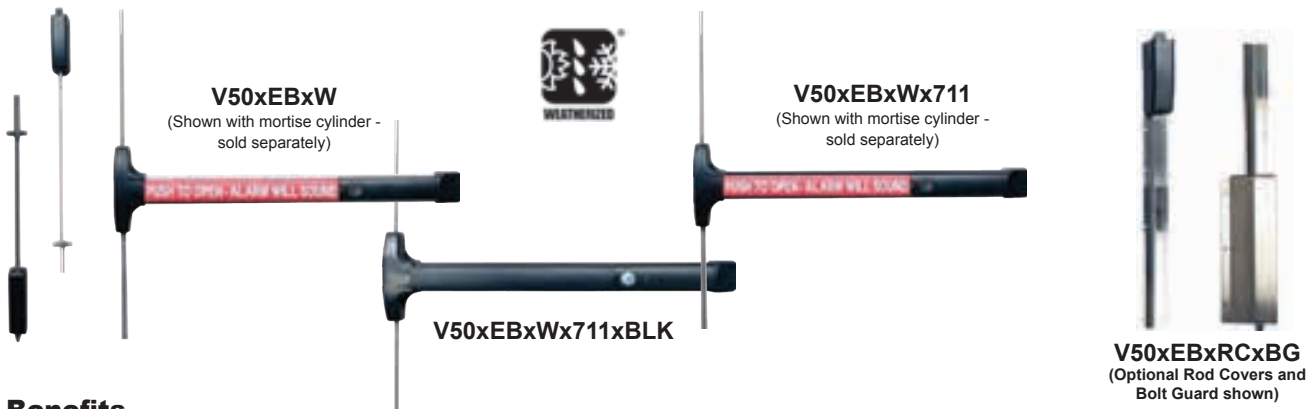
10 Year Mechanical/3 year Electrical  
Limited Manufacturer's Warranty

*Where Trust is Built™*  
**DETEX®**  
*Life Safety and Security Door Hardware*

Detex Corporation  
302 Detex Drive  
New Braunfels, Texas 78130-3045 USA  
PH. (830) 629-2900  
(800) 729-3839  
FAX (830) 620-6711  
(800) 653-3839  
<http://www.detex.com>  
USA Sales:  
[marketing@detex.com](mailto:marketing@detex.com)  
International Sales:  
[export@detex.com](mailto:export@detex.com)

## Weatherized Alarmed Surface Vertical Rod Exit Device (V50xEBxW)

The **V50xEBxW** device option is designed for pairs of doors or gates without mullions that require battery powered, alarmed weatherized panic devices. The 100dB alarm will sound when someone attempts to exit, alerting management to the unauthorized exit. The internal alarm with both remote bypass and remote signaling capabilities is ideal for applications where both security and life safety are a concern. In addition to listing as UL panic and fire exit hardware, this device conforms to UL 1034-34 Temperature Section 34, UL 1034-54 Dust Section 54, MIL-STD 810F Method 506.4 (driving rain test), MIL-STD 810F, Method 509.4 (salt fog test) and UBC standard 7-1 (positive pressure).



### Benefits

- Weather resistant loss prevention hardware designed for use in outdoor or wet environments
- Patented mounting plate and plastic strike locator designed for perfect alignment with door and frame without paper template
- Fast and accurate installation prevents costly mistakes and enhances security
- Provides reliable loss prevention protection both indoors and out, 24 hours a day
- Controls foot traffic to deter unauthorized exits and reduces employee and customer theft
- Rugged, durable, corrosion-resistant design reduces maintenance
- Aesthetically pleasing design for almost any door or gate in any décor

### Features

- Powered by standard 9-volt battery
- Handed, field reversible, field sizeable
- 100dB alarm
- Stainless steel 3/4" deadlocking, Pullman-type top latch
- Bottom drop bolt, 5/8" dia. x 5-5/8" long secures into strike plate
- Tamper-resistant, immersion-proof security switches
- Heavy duty angled end cap
- Plated steel, anodized aluminum and ABS components endure heavy use and exposure to the elements
- Built-in inhibitors prevent ABS fading and weakening, typically caused by exposure to extreme temperatures and UV rays
- Accommodates all types of mortise cylinders with a standard Yale cam (collar required for 7-pin IC cylinders)
- Tamper-resistant housing protects electronics, battery and internal hardware, preventing manipulation
- Single mortise cylinder (sold separate) provides arming and dogging
- State of the art electronics offer reliable security and instantaneous alarm
- Field selectable key rearm or 2 min. auto rearm
- Visual and audible arming indicators
- Armed and disarmed field selectable status indicator
- Delayed arming allows arming after door closes

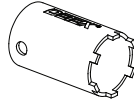
### Mechanical Options

- CD - Cylinder Dogging (Std.)
- LD - Less Dogging
- F - 3-Hour Fire Rated
- IC-7 - 7 pin small format interchangeable cylinder housing pre-installed at factory
- MC65 - Mortise cylinder pre-installed at factory
- 36 - Fits 36" Door Width (Std.)
- 48 - Fits 48" Door Width
- Available with 628 Base Rail Extrusion (Std.)
- Available with 711 (Black) Base Rail Extrusion



## Mechanical Options Cont'd and Accessories

- SN1 - Sex Nut Fasteners
- KS - Key Stop - key removed only when armed
- NSK - Narrow Kit - for 2" narrow stile glass door applications
- Outside Trim (see Value Series Trim Options)
- Optional Cylinder Nut Wrench  
P/N: 103779



## Electrical Options

- Remote Signal Form C signaling when alarm sounds and remote bypass input allows authorized use without an alarm (standard feature)
- Other Weatherized Detex Products Include:
  - Request to Exit Signalling Weatherized (EXxW)

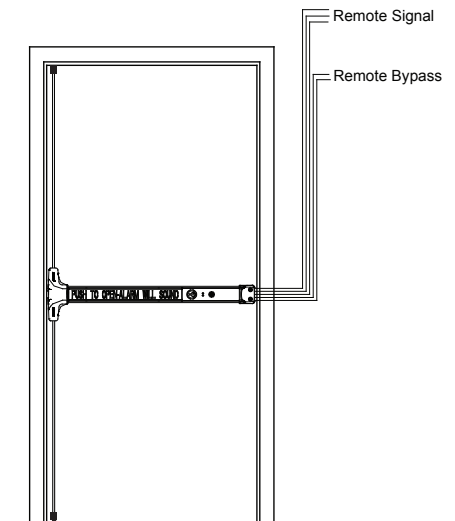
## Technical Information

- Door Types - Wood, Hollow Metal, Fiberglass or Aluminum
- 2" Aluminum doors need to be ordered as a narrow stile (NS)
- Door Thickness - Fits standard 1-3/4" - 2-1/4" (for other door thicknesses, contact factory)
- Machine and Sheet Metal Screws (Std.)
- Optional Sex Nuts or Security Torx Screws available
- Rail is heavy ribbed aluminum extrusion

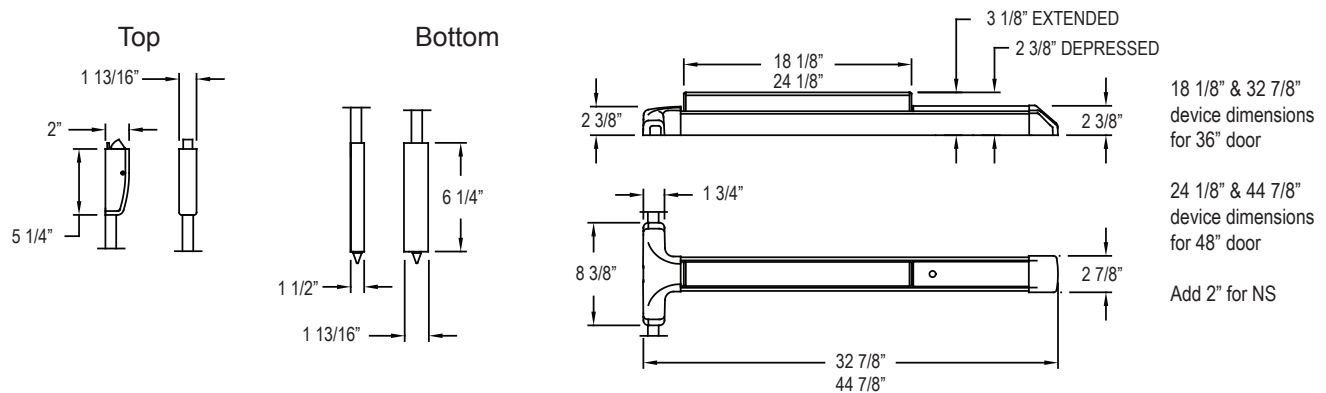
## Detex Limited Warranty

10 Year Mechanical/3 Year Electrical Limited Manufacturer's Warranty

## Riser Diagram



## Dimensions



## Listings and Approvals



UL Listed  
Panic Hardware



UL Listed Fire Exit Hardware  
for 3 hours, maximum  
4'x10' single doors and  
8'x10' pairs of doors



UL1034 - 34 Temperature Section 34  
[Temperature Range -31° F (-35° C) to  
150° F (+66° C)]

UL1034 - 54 Dust Section 54

Meets ADA requirements



ANSI/BHMA certified A156.3



ULC 97, Standard 7-2 and  
UL10C for positive pressure



Meets NFPA 80 & 101  
for Life Safety



California State Fire Marshall -  
4140-0127:105 and  
3725-0127:108

MIL-STD 810F (G), Method 509.4  
(Salt Fog Test)

MIL-STD 810F (G), Method 506.4  
(Driving Rain), Procedure 1

Where Trust is Built™

**DETEX**®

Life Safety and Security Door Hardware

Detex Corporation  
302 Detex Drive  
New Braunfels, Texas 78130-3045 USA

PH. (830) 629-2900

(800) 729-3839

FAX (830) 620-6711

(800) 653-3839

<http://www.detex.com>

USA Sales:

[marketing@detex.com](mailto:marketing@detex.com)

International Sales:

[export@detex.com](mailto:export@detex.com)

# VALUE SERIES®

## Electric Dogging (V50xED)

The **V50xED** Electric Dogging is designed for pairs of entrance and exit doors with panic or fire exit hardware. When energized, and after a pushpad is depressed, the pushpad and the latch bolt remain retracted, providing push-pull operation. Relocking all devices is accomplished by using a single switch or through a fire alarm input.



Wide Stile shown, for Narrow Stile, specify NS Option  
(for use on 36" and 48" doors with 2" stiles).

### Benefits

- Priced to be the best value for durable and attractive panic hardware
- Pushpad remains depressed while latch is retracted, preventing unnecessary cycling, for quieter operation
- While dogged, pushpad remains out of the path of egress, removing the typical catch point found with other exit devices
- One-touch operation turns any secured door or group of doors into push-pull openings and releases them as required
- Door remains locked until first activation of pushpad (exit) allows remote activation of dogging mode
- Allows remote deactivation of dogging for instantaneous lock-down mode
- Simple mounting and wiring provide quick, trouble-free installation, saving time and money
- Economical alternative to latch retraction when only dogging is required
- Rugged, durable design reduces maintenance
- Secure installation prevents costly mistakes and enhances security
- Fits almost any door in any décor

### Features

- Tamper resistant housing
- Stainless steel 3/4" deadlocking, Pullman-type top latch bolt
- Bottom drop bolt, 5/8" dia. x 5-5/8" long secures into strike plate
- Maintained latch and pushpad retraction
- Continuous duty magnet
- Operates on 24VAC or 24VDC
- Handed, field reversible

### Mechanical Options

- F - 3-Hour Fire Rated
- H - Hurricane Rated
- V51- Top Rod Only
- 36 - Fits 36" Door Width (std.)
- 48 - Fits 48" Door Width
- 84 - Fits 7' Door Width
- 96 - Fits 8' Door Height
- 120 - Fits 10' Door Height
- RC - Rod Covers (630 Brushed Stainless)
- BG - Bottom bolt and 12" ADA ramped cover (630 Brushed Stainless)
- 96 Top Surface Strike (Std.)
- 96B - Bottom dustproof strike
- NS - Fits 2" Narrow stile glass door
- Available with 628 Base Rail Extrusion (Std.)
- Available with 711 Base Rail Extrusion

## Electrical Options

- EX - Request to Exit Switch
- 90-800 - 24VDC filtered, regulated with fire loop connection
- 80-800 Power Supply - 24VDC filtered, regulated with fire loop connection with battery charging circuit
- PP-5152-2 24VAC transformer

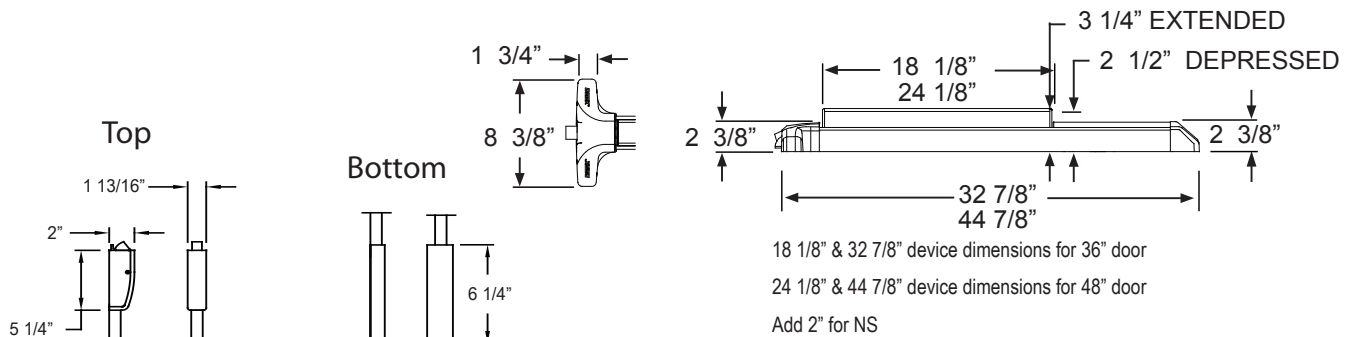
## Accessories

- SN1 - Sex Nut Fasteners
- FC - Flex Conduit and End Cap
- PT5 - Power Transfer
- EWH8-626 - Electric Hinge
- NSK - Narrow Kit - for 2" narrow stile glass door applications
- Outside Trim (see Value Series Trim Options)

## Technical Information

- Door Types - Wood, Hollow Metal, Fiberglass or Aluminum
- Door Thickness - Fits standard 1-3/4" - 2-1/4"
- Door Stile - Fits 2-1/2" stile doors (Std.)
- Door Stile - Fits 2" narrow stile doors - specify NS
- Machine and Self Drilling Screws (Std.)
- Optional Sex Nuts or Security Torx Screws available

## Dimensions



## Detex Limited Warranty

10 Year Mechanical/3 Year Electrical Limited Manufacturer's Warranty

## Listings and Approvals



UL Listed  
Panic Hardware

LISTED



UL Listed Fire Exit Hardware for 3 hours, maximum  
4'x10' single doors and pairs of 4'x8' with F90KR key removable Mullion



Meets ADA requirements



ULC 97, Standard 7-2 and UL10C for positive pressure



ANSI/BHMA certified A156.3



Meets NFPA 80 & 101 for Life Safety



Miami-Dade County, Florida  
NOA 10-0303.02 EXP. 04/07/15  
State of Florida Approval FL9052



California State Fire Marshal -  
4140-0127:105 and 3725-0127:108

Where Trust is Built™  
**DETEX**®  
Life Safety and Security Door Hardware

Detex Corporation  
302 Detex Drive  
New Braunfels, Texas 78130-3045 USA  
PH. (830) 629-2900  
(800) 729-3839  
FAX (830) 620-6711  
(800) 653-3839  
<http://www.detex.com>  
USA Sales:  
[marketing@detex.com](mailto:marketing@detex.com)  
International Sales:  
[export@detex.com](mailto:export@detex.com)

# VALUE SERIES®

## Delayed Egress Surface Vertical Rod Device (V50xEE)

The **V50xEE**, designed for **primary and secondary exits**, provides a secure **15-second delay** and a **100dB alarm** when someone attempts to exit. This 15-second delay allows management time to respond before someone exits and the alarm deters the exit from occurring. Per life safety requirements, the V50xEE must be provided with a fire alarm input, thus providing a system override during a fire emergency. The V50xEE provides security while meeting all life safety concerns, offering an exceptional value.



### Benefits

- Priced to be the best value for durable and attractive delayed egress panic hardware
- Reduces employee and customer theft
- Fast and easy installation
- Secure installation prevents mistakes, enhances security and reduces maintenance
- Durable design provides years of trouble-free protection, saving on replacement costs
- Fits almost any door in any décor
- Controls foot traffic, deters unauthorized exits, prevents loss and meets building code requirements

### Features

- Power supply delivers a constant 24VDC of filtered and regulated voltage at a rated load of 1A
- Stainless steel, 3/4" deadlocking Pullman-type latch bolt
- Non-handed, field sizeable
- 100dB alarm
- 1/8 turn cylinder dogging
- Sturdy angled end-cap
- Heavy-duty ribbed aluminum rail extrusion
- Accommodates all types of mortise cylinders with a standard Yale cam
- Patented mounting plate and strike locator system provide perfect alignment with door and frame
- Single mortise cylinder provides arming and dogging - can be factory installed
- State-of-the-art electronics offer reliable security and instantaneous alarm
- Visual and audible arming indicators
- 9V battery provides alarm function only in case of power failure
- Armed and disarmed field selectable status indicator
- Delayed arming allows arming after door closes
- Remote signal output and remote bypass input standard
- Alarm triggered by pushpad movement
- Fire alarm input can be connected at power supply
- Includes delayed egress panic bar, 24VDC filtered and regulated power supply, door sign and 3' conduit loop

## Mechanical Options

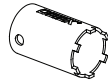
- MC65 - Factory Installed Mortise cylinder
- IC7 - Factory Installed IC Housing
- F - 3-Hour Fire Rated
- CD - Cylinder Dogging (Std.)
- LD - Less Dogging
- KS - Key Stop (Key removed only when armed)
- 36" Door Width (Std.)
- 48" Door Width
- Available with 628 Base Rail Extrusion (Std.)
- Available with 711 Base Rail Extrusion

## Electrical Options

- 30 - 30 second delayed egress available (must have letter from AHJ)
- AL18 - Surface Armored Loop (Door/Frame mounted)
- PT5 - Power Transfer

## Accessories

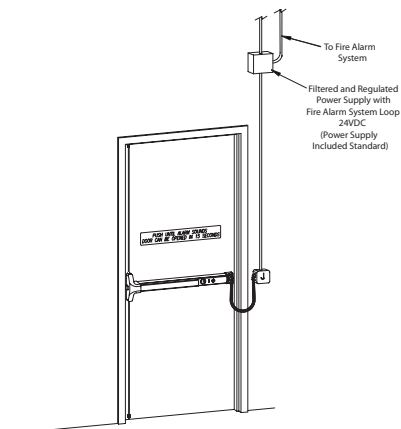
- SN1 - Sex Nut Fasteners
- NSK-SVR - Narrow Kit - for 2" narrow stile glass door applications
- Optional Cylinder Nut Wrench P/N: 103779
- Outside Trim (see Value Series Trim Options)
- Foreign Language Signs available Contact Factory



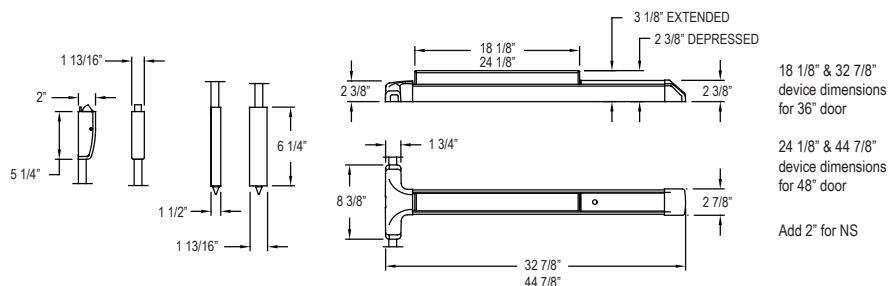
## Technical Information

- Door Types - Wood, Hollow Metal, Fiberglass or Aluminum
- Door Stile - Fits 4-1/8" stile doors with 96 surface strike (Std.)
- Machine and Self-Drilling Screws (Std.)
- Door Thickness - Fits standard 1-3/4" - 2-1/4"
- Door Stile - Fits 2" narrow stile doors specify NS
- Optional Sex Nuts or Security Torx Screws available

## Riser Diagram



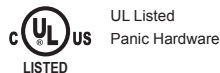
## Dimensions



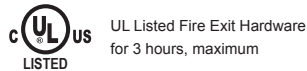
## Detex Limited Warranty

10 Year Mechanical/3 Year Electrical Limited Manufacturer's Warranty

## Listings and Approvals



UL Listed  
Panic Hardware



UL Listed Fire Exit Hardware  
for 3 hours, maximum



Meets ADA requirements



ANSI/BHMA certified  
(ANSI A156.3 and ANSI A156.24 Grade 1)



Meets NFPA 80 & 101  
for Life Safety



UBC 97, Standard 7-2 and  
UL10C for positive pressure

*Where Trust is Built™*  
**DETEX®**  
*Life Safety and Security Door Hardware*

Detex Corporation  
302 Detex Drive  
New Braunfels, Texas 78130-3045 USA  
PH. (830) 629-2900  
(800) 729-3839  
FAX (830) 620-6711  
(800) 653-3839  
<http://www.detex.com>  
USA Sales:  
[marketing@detex.com](mailto:marketing@detex.com)  
International Sales:  
[export@detex.com](mailto:export@detex.com)

# VALUE SERIES®

## Alarmed Surface Vertical Rod Device with Remote Signal and Remote Bypass (V50xEHxR)

The V50xEHxR device option is designed for pairs of doors without mullions that require a hardwired, alarmed panic device with remote signal and bypass. When the alarm sounds a remote signal can be sent to turn on a remote horn, strobe or other security device. The alarms can also be bypassed using a remote button, keypad, card reader or other access control device. The alarm, with approximately 100dB will sound when someone attempts to exit, alerting management that an unauthorized exit has occurred. With electric switching that monitors the pushpad, the V50xEHxR provides a high level of security while also meeting all life safety concerns.



### Benefits

- Priced to be the best value for durable, attractive loss prevention panic hardware
- Reduces employee and customer theft
- Fast and easy installation
- Minimal door prep saves time and money
- Secure installation prevents mistakes, enhances security and reduces maintenance
- Durable design provides years of trouble-free protection, saving on replacement cost
- Fits any door in almost any décor
- Controls foot traffic, deters unauthorized exits, prevents loss and meets building code requirements
- Outside trims are easily changed or rekeyed without removing device from door

### Features

- V50xEHxR- Alarmed exit device powered by 12V or 24V AC/DC power, with a 9-volt battery back-up
- Patented mounting plate and strike locator system replaces paper template
- Handed, field reversible, field sizeable
- 100 decibel alarm
- Stainless steel, 3/4" deadlocking Pullman-type top latch bolt
- Bottom drop bolt, 5/8" dia. x 5-5/8" long secures into strike plate
- 1/8 turn dogging
- Heavy-duty angled end cap
- Accommodates all types of mortise cylinders with a standard Yale cam (collar required for 7-pin IC cylinders)
- Single mortise cylinder (sold separate) provides arming and dogging
- State-of-art electronics offer reliable security and instantaneous alarm
- Field selectable key rearm or 2 min. auto rearm
- Visual and audible arming indicators
- Armed and disarmed field selectable status indicator

### Mechanical Options

- CD - Cylinder Dogging (Std.)
- LD - Less Dogging
- IC7 - 7 pin small format interchangeable housing pre-installed at factory
- MC65 - Mortise cylinder pre-installed at factory
- KS - Key Stop (key removed only when armed)
- 36 - Fits 36" door width (Std)
- 48 - Fits 48" door width
- F - 3-Hour Fire Rated
- Available with 628 Base Rail Extrusion (Std.)
- Available with 711 Base Rail Extrusion

## Electrical Options

- 1, 5 second arming delay (15 second - standard)
- 10 or 20 minute auto rearm (2 minute - standard)
- SI - Status Indicator LED's indicate armed status

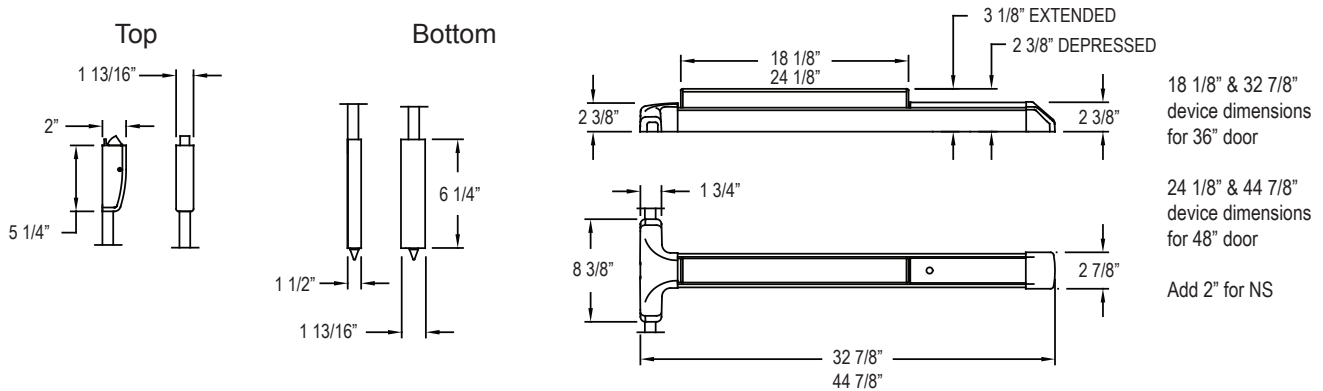
## Accessories

- SN1 - Sex Nut fasteners
- NSK - Narrow Kit for 2" narrow stile glass door applications
- Outside trim (see Value Series Trim Options)
- KS - Key Stop - key removed only when armed

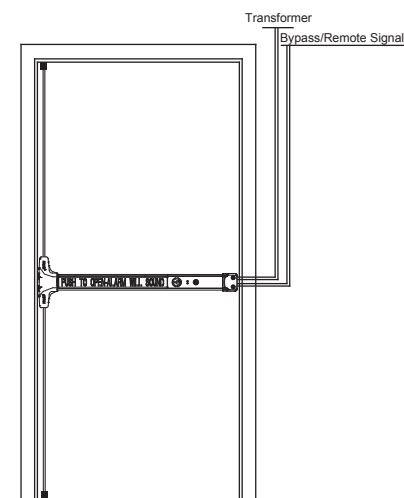
## Technical Information

- Door Types - Wood, Hollow Metal, Fiberglass or Aluminum
- Door Stile - Fits 2-1/2" with 96 surface strike (Std.)
- Optional Sex Nuts or Security Torx Screws available
- Door Thickness - Fits standard 1-3/4" - 2-1/4" (for other door thicknesses contact factory)
- Machine and Sheet Metal Screws (Std.)
- Rail is heavy ribbed aluminum extrusion

## Dimensions



## Riser Diagram



## Listings and Approvals

- UL LISTED  
UL Listed  
Panic Hardware
- UL LISTED  
UL Listed Fire Exit Hardware  
for 3 hours, maximum  
4'x10' single doors and  
8'x10' pairs of doors
- Meets ADA requirements
- UBC 97, Standard 7-2 and  
UL10C for positive pressure
- BHMA CERTIFIED  
ANSI/BHMA certified A156.3
- Meets NFPA 80 & 101  
for Life Safety

## Detex Limited Warranty

10 Year Mechanical/3 year Electrical  
Limited Manufacturer's Warranty

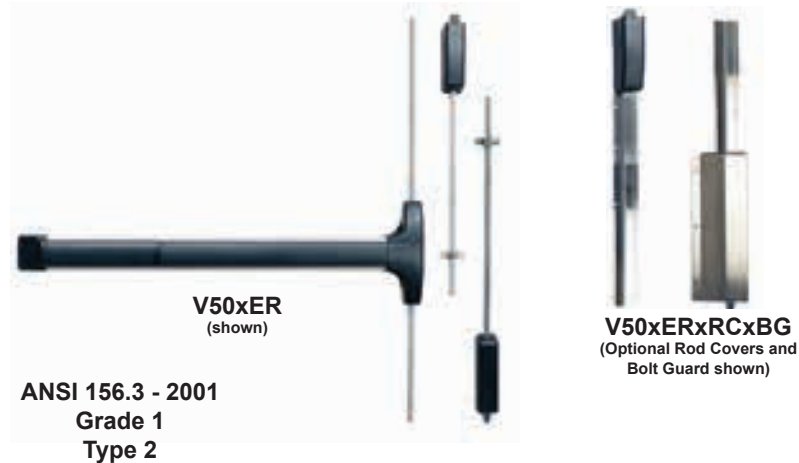
*Where Trust is Built™*  
**DETEX®**  
*Life Safety and Security Door Hardware*

Detex Corporation  
302 Detex Drive  
New Braunfels, Texas 78130-3045 USA  
PH. (830) 629-2900  
(800) 729-3839  
FAX (830) 620-6711  
(800) 653-3839  
<http://www.detex.com>  
USA Sales:  
[marketing@detex.com](mailto:marketing@detex.com)  
International Sales:  
[export@detex.com](mailto:export@detex.com)

# VALUE SERIES®

## Electric Latch Retraction Panic Device (V50xER)

The **Electric Latch Retraction (V50xER)** exit device option is designed for entrance and exit doors with panic or fire exit hardware where remote unlocking, remote dogging, access control or automatic door operator is desired.



### Benefits

- Durable design provides years of trouble free protection, saving on replacement costs
- Fits almost any door in any décor
- Provides a means for remote dogging and lockdown
- Simultaneous latch/rod and pushpad retraction provides smooth surface with no catch points

### Features

- Continuous duty motor with no solenoid
- Handed, field reversible, field sizeable
- Low voltage with no high power in-rush
- Patented mounting plate and strike locator system replaces paper templates
- Momentary or maintained retraction of rods and pushpad
- Long term dogging capability
- Requires 81-800, 82-800 or 83-800 controller and power supply - sold separately
- Switches to monitor pushpad

### Mechanical Options

- FC - Flexible 3' conduit loop and end cap connector
- BG - Bottom Bolt and 12" ADA ramped cover (630 Brushed Stainless)
- RC - Rod Covers (630 Brushed Stainless)
- PT5 - Power Transfer
- AL18 - Surface armored loop

### Electrical Options

- Exit Switch (EX) - Pushpad monitor switch
- Latch retraction power supply is required and sold separately
- 81-800 - Power Supply for single door
- 82-800 - Power Supply for pairs of doors
- 83-800 - Power Supply of two independent doors



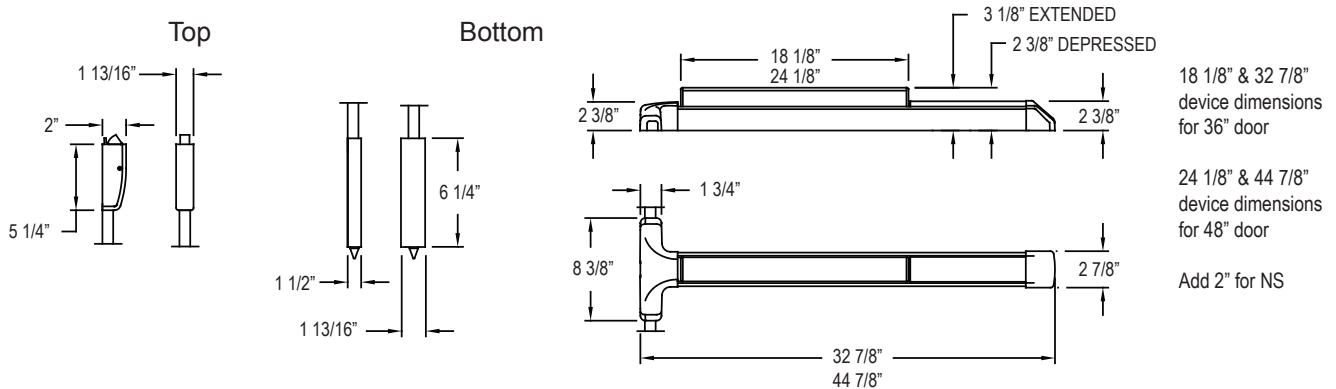
**Accessories**

- SN1 - Sex Nut Fasteners
- DX Bolts - Hinge Side Bolts
- NSK - Narrow Stile - for 2" narrow stile glass door applications
- Outside trim (see Value Series Trim Options)

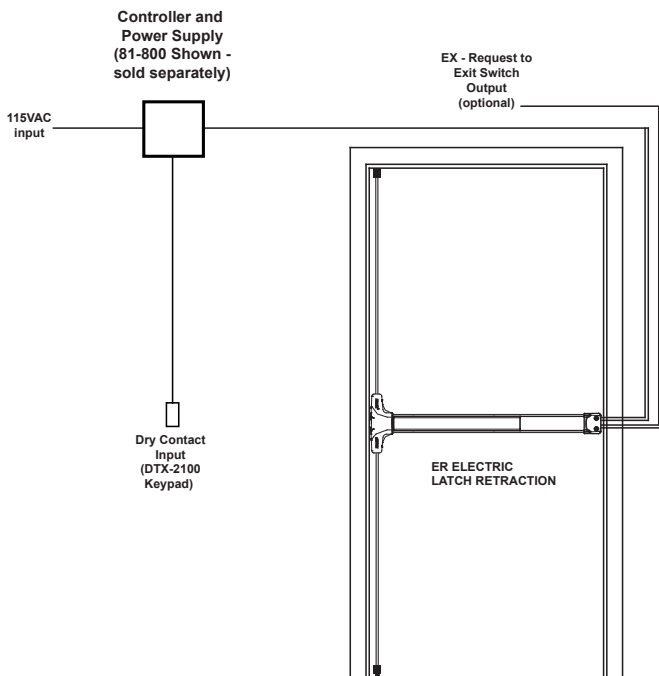
**Technical Information**

- Voltage - 24VDC

**Dimensions**



**Riser Diagram**



**Detex Limited Warranty**

10 Year Mechanical/3 year Electrical Limited Manufacturer's Warranty

**Listings and Approvals**



UL Listed  
Panic Hardware



UL Listed Fire Exit Hardware  
for 3 hours, maximum  
4'x10' single doors and  
8'x10' pairs of doors



Meets ADA requirements



UBC 97, Standard 7-2 and  
UL10C for positive pressure



ANSI/BHMA certified A156.3



Meets NFPA 80 & 101  
for Life Safety

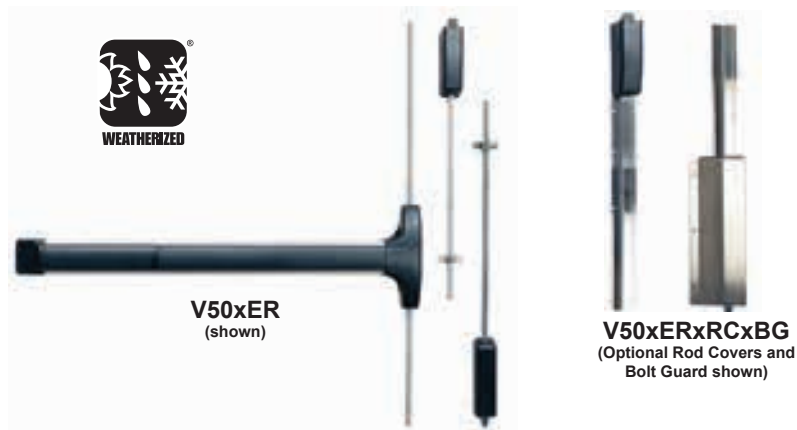


Detex Corporation  
302 Detex Drive  
New Braunfels, Texas 78130-3045 USA  
PH. (830) 629-2900  
(800) 729-3839  
FAX (830) 620-6711  
(800) 653-3839  
<http://www.detex.com>  
USA Sales:  
[marketing@detex.com](mailto:marketing@detex.com)  
International Sales:  
[export@detex.com](mailto:export@detex.com)

## Weatherized Electric Latch Retraction Panic Device (V50xERxW / V51xERxW)

The **Electric Latch Retraction (V50xERxW)** exit device option is designed for entrance and exit doors with panic or fire exit hardware where remote unlocking, remote dogging, access control or automatic door operator is desired. In addition to listing as UL panic and fire exit hardware device, this device conforms to UL1034-34 Temperature Section 34, UL1034-54 Dust Section 54, MIL-STD 810F, Method 506.4 (driving rain test); MIL-STD 810F, Method 509.4 (salt fog test) and UBC standard 7-2 (positive pressure).

ANSI 156.3 - 2001  
Grade 1  
Type 2



### Benefits

- Durable design provides years of trouble free protection, saving on replacement costs
- Fits almost any door in any décor
- Simultaneous latch/rod and pushpad retraction provides smooth surface with no catch points
- Provides a means for remote dogging and lockdown

### Features

- Continuous duty motor with no solenoid
- Handed, field reversible, field sizeable
- Low voltage with no high power in-rush
- Patented mounting plate and strike locator system replaces paper templates
- Momentary or maintained retraction of rods and pushpad
- Long term dogging capability
- Requires 81-800, 82-800 or 83-800 controller and power supply - sold separately
- Optional switches to monitor push pad, specify EXxW

### Mechanical Options

- FC-W - Flexible 3' conduit loop and end cap connector
- F - 3-Hour Fire Rated
- BG - Bottom Bolt and 12" ADA ramped cover (630 Brushed Stainless)
- 36 - Fits 36" door widths (std.)
- RC - Rod Covers (630 Brushed Stainless)
- 48 - Fits 48" door widths
- NS - Fits 2" narrow stile glass door
- AL18 - Surface armored loop
- 84 - Fits 7' door height (std.)
- 96 Surface top strike top (std.)
- V51 - Top Rod Only
- 96B bottom dust proof strike
- F - 3-Hour Fire Rated
- 120 - Fits 10' door height
- Available with 628 aluminum base rail
- RC - Rod Covers (630 Brushed Stainless)
- Available with 711 black base rail

### Electrical Options

- 81-800 - Power Supply for single door
- 82-800 - Power Supply for pairs of doors
- 83-800 - Power Supply of two independent doors
- EXxW - Request to Exit Weatherized
- Latch retraction power supply is required and sold separately

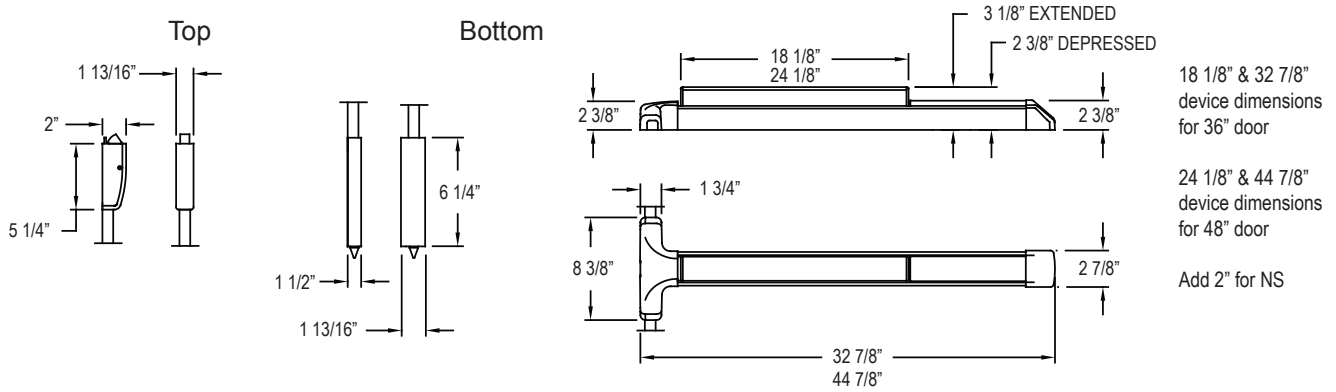
**Accessories**

- SN1 - Sex Nut Fasteners
- DX Bolts - Hinge Side Bolts
- NSK - Narrow Stile - for 2" narrow stile glass door applications
- Outside trim (see Value Series Trim Options)

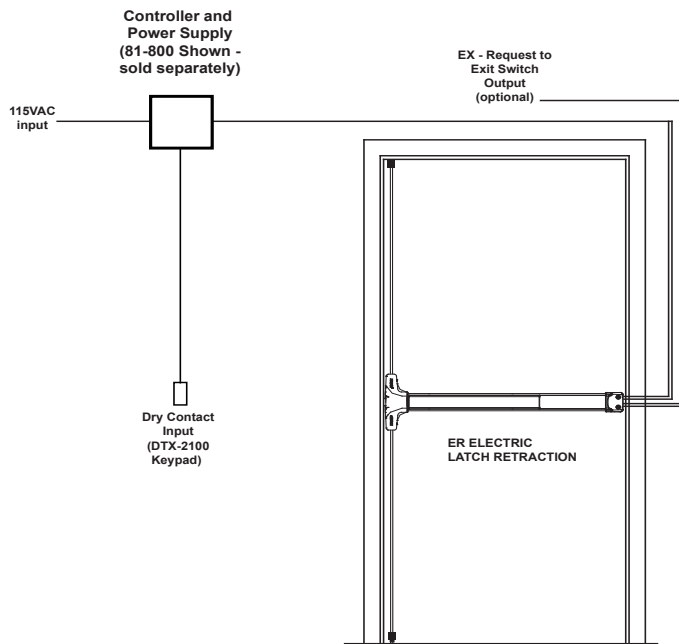
**Technical Information**

- Voltage - 24VDC

**Dimensions**



**Riser Diagram**



**Detex Limited Warranty**

10 Year Mechanical/3 year Electrical Limited Manufacturer's Warranty

**Listings and Approvals**



UL Listed  
Panic Hardware



UL Listed Fire Exit Hardware for 3 hours, maximum  
4'x10' single doors and  
8'x10' pairs of doors  
UL1034 - 34 Temperature Section 34 [Temperature Range from -31°F (-35°C) to 150°F (+66°C)]  
UL1034 - 54 Dust Section 54



Meets ADA Requirements



UBC 97, Standard 7-2 and  
UL10C for positive pressure



ANSI/BHMA certified A156.3



Meets NFPA 80 & 101  
for Life Safety

MIL-STD 810F (G), Method 509.4 (Salt Fog Test)

MIL-STD 810F (G), Method 506.4 (Driving Rain), Procedure 1



Detex Corporation  
302 Detex Drive  
New Braunfels, Texas 78130-3045 USA  
PH. (830) 629-2900  
(800) 729-3839  
FAX (830) 620-6711  
(800) 653-3839  
<http://www.detex.com>  
USA Sales:  
[marketing@detex.com](mailto:marketing@detex.com)  
International Sales:  
[export@detex.com](mailto:export@detex.com)

# VALUE SERIES®

## Electric Request to Exit Switching (V50xEX)

The **V50xEX** Electric Request to Exit Switching device, designed for double door applications where electric signaling is required, provides the customer with a means of signaling when the pushpad is depressed. The EX Exit Switching monitors the pushpad and when depressed, will open or close (SPDT) to signal an alarm, send a remote signal to monitor egress, or commence the cycle in a separate delayed egress system.



### Benefits

- Priced to be the best value for panic exit hardware
- Provides reliable loss prevention protection 24 hours a day
- Rugged, durable design reduces maintenance
- Integrates with other loss prevention equipment
- Large, steel reinforced pushpad with black ABS cover resists damage
- Secure installation prevents costly mistakes and enhances security
- Fits almost any door in any décor
- Patented back plate and plastic strike locator designed for perfect alignment with door and frame without paper template

### Features

- Stainless steel 3/4" deadlocking, Pullman-type top latch bolt
- Bottom drop bolt, 5/8" dia. x 5-5/8" long secures into strike plate
- Heavy-duty angled end cap
- Tamper-resistant switching electronically monitors pushpad
- Tamper resistant housing protects internal switching, preventing manipulation
- Standard SPDT (Form C) switch with three wires, Yellow (N/O), Brown (Common) & Green (N/C), creating either a Normally Open or Closed contact
- Switch capable of signaling at low currents for integration to a central control station
- Handed, field reversible
- To shunt power to an electromagnetic lock, specify EXV

### Mechanical Options

- CD - Cylinder Dogging
- HD - Hex Dogging (Std.)
- LD - Less Dogging
- F - 3-Hour Fire Rated
- 36 - Fits 36" Door Width (Std.)
- 48 - Fits 48" Door Width
- 84 - Fits 7' Door Height (Std.)
- 96 - Fits 8' Door Height
- 120 - Fits 10' Door Height
- 96 - Top Surface Strike (Std.)
- 96B - Bottom dustproof strike
- RC - Rod Covers (630 Brushed Stainless)
- BG - Bottom bolt and 12" ADA ramped cover (630 Brushed Stainless)
- NS - Fits 2" Narrow stile glass door
- Available with 628 Base Rail Extrusion (Std.)
- Available with 711 Base Rail Extrusion
- RWE - Red pushpad with white lettering

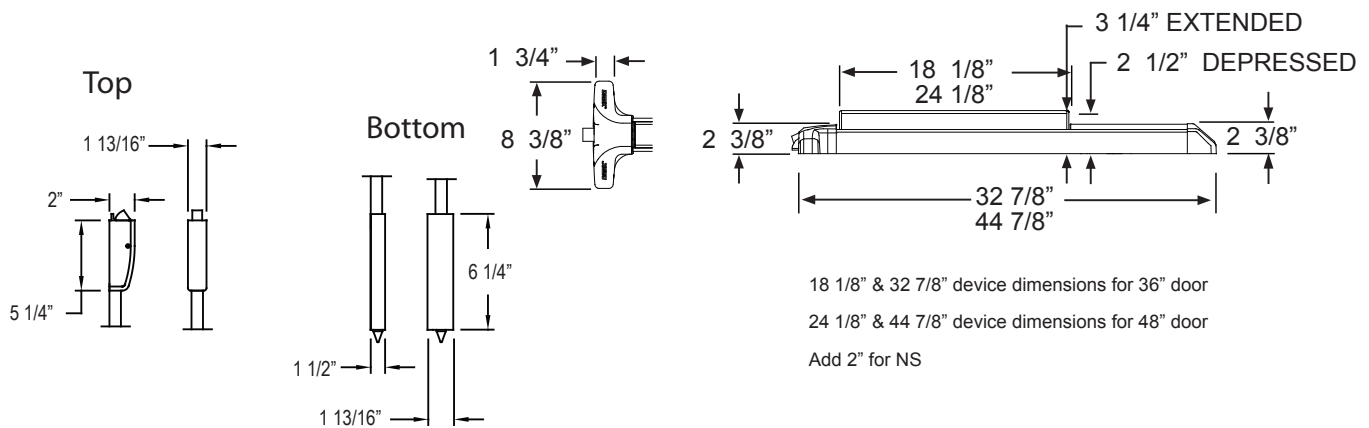
## Accessories

- SN1 - Sex Nut Fasteners
- SSK3 - Security Screw Kit
- Outside Trim (see Value Series Trim Options)
- NSK - Narrow Kit - for 2" narrow stile glass door applications
- FC - 3' Flex Conduit Kit, mounts to end cap device
- GB - Glass Bead Kits

## Technical Information

- Door Types - Wood, Hollow Metal, Fiberglass or Aluminum
- Door Stile - Fits 2" narrow stile doors - specify NS
- Machine and Self Drilling Screws (Std.)
- Door Thickness - Fits standard 1-3/4" - 2-1/4"
- Door Stile - Fits 2-1/2" stile doors with 99 surface strike (Std.)
- Optional Sex Nuts or Security Torx Screws available

## Dimensions



## Listings and Approvals



UL Listed  
Panic Hardware



UL Listed Fire Exit Hardware  
for 3 hours, maximum  
4'x10' single doors and 8'x10'  
pairs



Meets ADA requirements



UBC 97, Standard 7-2 and  
UL10C for positive pressure



ANSI/BHMA certified A156.3



Meets NFPA 80 & 101  
for Life Safety



California State Fire Marshall -  
4140-0127:105 & 3725-0127:108

## Detex Limited Warranty

10 Year Mechanical/3 Year Electrical  
Limited Manufacturer's Warranty

*Where Trust is Built™*  
**DETEX**®  
*Life Safety and Security Door Hardware*

Detex Corporation  
302 Detex Drive  
New Braunfels, Texas 78130-3045 USA  
PH. (830) 629-2900  
(800) 729-3839  
FAX (830) 620-6711  
(800) 653-3839  
<http://www.detex.com>  
USA Sales:  
[marketing@detex.com](mailto:marketing@detex.com)  
International Sales:  
[export@detex.com](mailto:export@detex.com)

# VALUE SERIES®

## Electric Request to Exit Switching (V50xEXxW)

The **V50xEXxW** Electric Request to Exit Switching device, designed for double door applications where electric signaling is required, provides the customer with a means of signaling when the pushpad is depressed. The EX Exit Switching monitors the pushpad and when depressed, will open or close (SPDT) to signal an alarm, send a remote signal to monitor egress, or commence the cycle in a separate delayed egress system.



### Benefits

- Priced to be the best value for panic exit hardware
- Provides reliable loss prevention protection 24 hours a day
- Rugged, durable design reduces maintenance
- Integrates with other loss prevention equipment
- Large, steel reinforced pushpad with black ABS cover resists damage
- Patented back plate and plastic strike locator designed for perfect alignment with door and frame without paper template
- Secure installation prevents costly mistakes and enhances security

### Features

- Stainless steel 3/4" deadlocking, Pullman-type top latch bolt
- Bottom drop bolt, 5/8" dia. x 5-5/8" long secures into strike plate
- Heavy-duty angled end cap
- Tamper-resistant housing protects internal switching, preventing manipulation
- Tamper-resistant switching electronically monitors pushpad
- Standard SPDT (Form C) switch with three wires, Yellow (N/O), Brown (Common) & Green (N/C), creating either a Normally Open or Closed contact
- Switch capable of signaling at low currents for integration to a central control station
- Handed, field reversible
- To shunt power to an electromagnetic lock, specify EXV

### Mechanical Options

- V51 - Top Rod Only
- CD - Cylinder Dogging
- HD - Hex Dogging (Std.)
- LD - Less Dogging
- F - 3-Hour Fire Rated
- 36 - Fits 36" Door Width (Std.)
- 48 - Fits 48" Door Width
- 84 - Fits 7' Door Height (Std.)
- 96 - Fits 8' Door Height
- 120 - Fits 10' Door Height
- 96 - Top Surface Strike (Std.)
- 96B - Bottom dustproof strike
- RC - Rod Covers (630 Brushed Stainless)
- BG - Bottom bolt and 12" ADA ramped cover (630 Brushed Stainless)
- NS - Fits 2" Narrow stile glass door
- Available with 628 Base Rail Extrusion (Std.)
- Available with 711 Base Rail Extrusion
- RWE - Red pushpad with white lettering

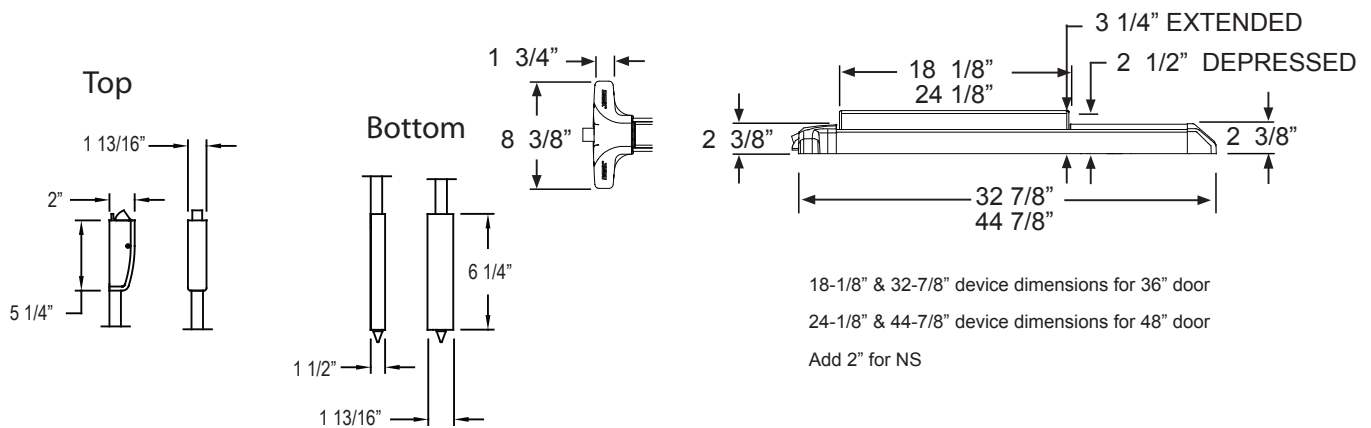
## Accessories

- SN1 - Sex Nut Fasteners
- SSK3 - Security Screw Kit
- Outside Trim (see Value Series Trim Options)
- NSK - Narrow Kit - for 2" narrow stile glass door applications
- FC - 3' Flex Conduit Kit, mounts to end cap device
- GB - Glass Bead Kits

## Technical Information

- Door Types - Wood, Hollow Metal, Fiberglass or Aluminum
- Door Stile - Fits 2" narrow stile doors - specify NS
- Machine and Self Drilling Screws (Std.)
- Door Thickness - Fits standard 1-3/4" - 2-1/4"
- Door Stile - Fits 2-1/2" stile doors with 99 surface strike (Std.)
- Optional Sex Nuts or Security Torx Screws available

## Dimensions



## Listings and Approvals



UL Listed  
Panic Hardware



UL Listed Fire Exit Hardware  
for 3 hours, maximum  
4'x10' single doors and 8'x10'  
pairs



Meets ADA requirements



UBC 97, Standard 7-2 and  
UL10C for positive pressure



ANSI/BHMA certified A156.3



Meets NFPA 80 & 101  
for Life Safety



California State Fire Marshall -  
4140-0127:105 & 3725-0127:108

## Detex Limited Warranty

10 Year Mechanical/3 Year Electrical  
Limited Manufacturer's Warranty

*Where Trust is Built™*  
**DETEX**®  
*Life Safety and Security Door Hardware*

Detex Corporation  
302 Detex Drive  
New Braunfels, Texas 78130-3045 USA  
PH. (830) 629-2900  
(800) 729-3839  
FAX (830) 620-6711  
(800) 653-3839  
<http://www.detex.com>  
USA Sales:  
[marketing@detex.com](mailto:marketing@detex.com)  
International Sales:  
[export@detex.com](mailto:export@detex.com)



## List of Accessories

Slide-In Filler Kits

Strikes

Through Bolt Mounting Plate

Cylinders

Cylinder Collars

Cylinder Bracket Kit

Sex Nut Kits

Tools

Security Screw Kits

Narrow Stile Door Kits

Glass Bead Kits

Battery Eliminator



# VALUE SERIES®

## Accessories

### Strikes

All required strikes are provided with exit devices. Replacement strikes are available as follows:



**99** Surface - non-roller strike for V40 Series Rim Devices



**98** Semi-Mortise - applied strike for V40NS Series Rim Devices

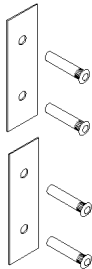


**96 Top** Surface - non-roller top strike for V50/51 Series Surface Vertical Rod Devices



**96 Bottom** Dust Proof Strike - for V50 Series Surface Vertical Rod Devices

### Through Bolt Mounting Plate Kit for SVR



**TMP1** - Through Bolt Mounting Plate Kit for use when replacing surface vertical rods on doors that are damaged or to cover existing exterior holes from previous device.

Kit is standard with two 630 finish plates and four 1/4-20 sex bolts. Contact factory for other finishes.

### Cylinders



**MC65** Mortise Cylinder - 1-1/8" 6-pin, keyed 5-pin. Available keyed alike or keyed differently. Finishes available: 605, 606, 612, 613, 626



**RC65** Rim Cylinder - 6-pin, keyed 5-pin. Available keyed alike or keyed differently. Finishes available: 605, 606, 612, 613, 626



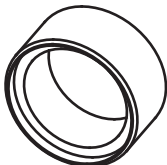
**IC7** Interchangeable core cylinder housing - 7-pin, factory installed

### Cylinder Collars

Cylinder Collars for 5 and 6 pin cylinders are provided with all outside trim.

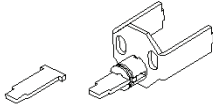


**CCS** 7/16" Short Cylinder Collar - Cylinder collar for 5 and 6 pin cylinders. Finishes available: 605, 606, 612, 613, 625, 626



**CCL** 11/16" Long Cylinder Collar - Cylinder collar for 7 pin interchangeable core cylinders. Finishes available: 605, 606, 611, 612, 613, 625, 626

## Cylinder Bracket Kit



**CBK** - Cylinder Bracket Kit consists of bracket and adjustable tailpiece assembly for rim cylinder used with other manufacturer's outside trim

## Security Screw Kits

Contains an assortment of screw sizes and types for securing covers in place

**SSK3** - Security Screw Kit contains all screws and driver bits to secure the cover, end cap and the strike of the exit device.

Additional Security Driver Tips:

**TT-10** - Driver tip for 6-32 Undercut FH screws

**TT-27** - Driver tip for 1/4-20 and #14 screws

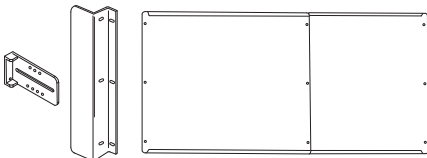
## Rod Cover (V50/51 Only)



**RC** - Rod Covers (630 Stainless Steel)

(Top Rod cover shown)

## Gate Plate



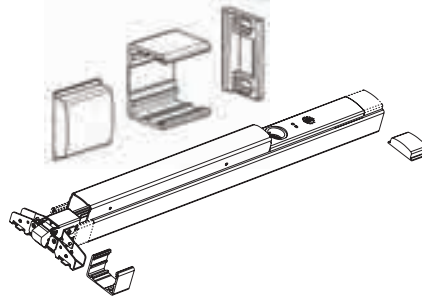
**GTPLV40** - Adjustable gate plate fits gates 32" - 52" wide. Fits square or round gate frames.

## Sex Nut Kit



**SN1** - Sex Nut Kit 1/4-20 — 2 per package

## Narrow Stile Door Kits



**NSK** - Narrow Stile Door Kit converts standard Value Series panic device into narrow stile panic device. Required when Value Series exit devices are applied to 36" and 48" glass doors with minimum 2" stiles.

## Bolt Guard (V50 Only)



**BG** - Bottom Bolt Guard - 12" ADA ramped cover (630 Stainless Steel)

## Gate Plate Cylinder Trim



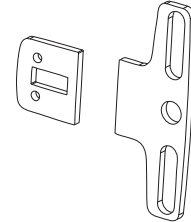
**03GS** - Optional 03 function cylinder trim used on gates (Rim cylinder sold separate)

## Tools



**HDK** - Hex Dogging Key - Heavy-duty with overmolded ABS, dogging key is ergonomically designed to resist repetitive motion injuries.

## Glass Bead Kits



For use on doors with raised glass beads. Each kit contains one 1/4" shim set. Specify Kit number

Kit Number  
**GB15**

For use with:  
V40 Series

*Where Trust is Built™*  
**DETEX®**  
*Life Safety and Security Door Hardware*

Detex Corporation  
302 Detex Drive  
New Braunfels, Texas 78130-3045 USA  
PH. (830) 629-2900  
(800) 729-3839  
FAX (830) 620-6711  
(800) 653-3839  
<http://www.detex.com>  
USA Sales:  
[marketing@detex.com](mailto:marketing@detex.com)  
International Sales:  
[export@detex.com](mailto:export@detex.com)

## Accessories

---

### Slide-In Filler Kits

Slide-In Filler Kits allow changes or additions to the device after initial installation. Specify device series and size.



**SIF-VS-EB** - Slide-In Filler Kit with 100-plus decibel directional piezo alarm provides reliable security and instantaneous alarm. Requires mortise cylinder with standard Yale cam (sold separately).



**SIF-VS-EBxW** - Slide-In Filler Kit provides weatherized alarm for outdoor or exterior door applications. Includes both remote bypass and remote signaling capabilities. Requires mortise cylinder with standard Yale cam (sold separately).



**SIF-VS-EX** - The EX Slide-In Filler provides a normally-closed or normally-open contact that can be used for a variety of different uses. Available in hex dogging (shown), cylinder dogging or less dogging.



**SIF-VS-EX-W** - The EX-W Slide-In Filler provides a normally-closed or normally-open contact that can be used for a variety of different uses in moist, outdoor or other such applications.



**SIF-VS-HD** - Hex Key Dogging Slide-In Filler Kit provides 1/8 turn dogging and includes dogging key with over-molded, ergonomic grip.



**SIF-VS-CD** - Cylinder Dogging Slide-In Filler Kit provides 1/8 turn dogging. Requires mortise cylinder with standard Yale cam (sold separately).



**SIF-VS-LD** - Less Dogging Slide-In Filler can be used on devices manufactured with dogging when this feature may no longer be required.

*Where Trust is Built™*  
**DETEX®**  
*Life Safety and Security Door Hardware*

Detex Corporation  
302 Detex Drive  
New Braunfels, Texas 78130-3045 USA  
PH. (830) 629-2900  
(800) 729-3839  
FAX (830) 620-6711  
(800) 653-3839  
<http://www.detex.com>  
USA Sales:  
[marketing@detex.com](mailto:marketing@detex.com)  
International Sales:  
[export@detex.com](mailto:export@detex.com)

# EXIT CONTROL LOCKS ACCESSORY

## BE-961

### Battery Eliminator

---

The BE-961 Battery Eliminator is designed to power security devices such as the Detex ECL-230D, ECL-230X Series, ECL-600 battery powered series exit control locks and V40 alarmed rim exit device without reliance on batteries. Converts AC power to DC for supplying battery-operated devices.



**BE-961-1**

**BE-961-2**

(For use with ECL products only)

### Benefits

---

- Powers security devices without reliance on batteries
- Eliminating the need to annually change 9 volt batteries, saves money, prevents unnecessary battery disposal and creates a greener process
- May be installed on the wall adjacent to the protected door quickly and easily
- 10' Flexible armored cable connects the battery eliminator to the security device without interfering with door use
- LED provides visual status of power
- For extra security, the connecting cable may be concealed in the door using a continuous electric hinge

### Features

---

- Available Battery Eliminator Power Supplies:
  - BE-961-1** = Converts 120VAC to 9VDC  
Note: Powers up to three 9V battery devices)
  - BE-961-2** = Converts 120VAC to 9VDC includes secure power / supervisory loop (cutting 9V power will sound alarm)  
Note: For use with ECL products only.
  - BE-961-5** = Converts 12VAC to 9VDC  
Note: Conduit and transformer sold separately
  - BE-961-6** = Converts 24VAC to 9VDC  
Note: Conduit and transformer sold separately
- The BE-961-2 includes an internal alarm which sounds at 95dB if the secure power feed wires are cut or when the ECL unit sounds (for use with ECL products only)

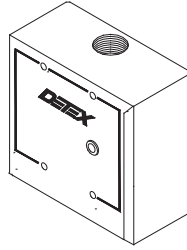
### Technical Information

---

- 9VDC or 6VDC outputs, jumper selectable to the security device
- 12 VAC 25 VA transformer included - requires 120 VAC
- Line input transient suppression is a standard feature

## Dimensions

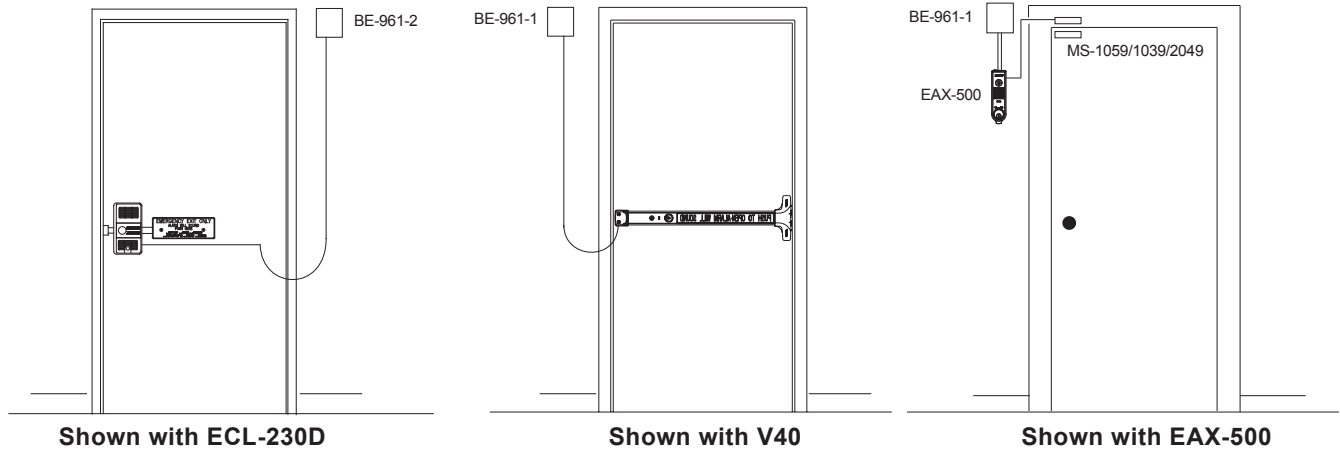
- 4-5/8" wide x 4-5/8" long x 2" deep
- Standard cast aluminum case



## Detex Limited Warranty

3 Year Limited Manufacturers Warranty

## Riser Diagram



*Where Trust is Built™*  
**DETEX®**  
*Life Safety and Security Door Hardware*

Detex Corporation  
302 Detex Drive  
New Braunfels, Texas 78130-3045 USA  
PH. (830) 629-2900  
(800) 729-3839  
FAX (830) 620-6711  
(800) 653-3839  
<http://www.detex.com>  
USA Sales:  
[marketing@detex.com](mailto:marketing@detex.com)  
International Sales:  
[export@detex.com](mailto:export@detex.com)

## **Technical Information Contents**

**Fasteners**

**Security Screws**

**Sex Bolts**

**Handing**

**Minimum Door Widths Chart**

**Installation**

**Cylinder Requirements**

**Mortise Cylinder Lengths**

**Cylinder Collars**

**Narrow Stile Door Kits**

**Fasteners**

Door manufacturer should be consulted for proper mounting fasteners. #14 x 1-1/4 PPH sheet metal screws and 1/4-20x 1" PHP machine screws are furnished standard on all devices and strikes. Fasteners of proper length for door thickness are furnished with devices where trims are through bolted. C and CN Pull trims are furnished with 1/4-20 through bolt for attaching bottom of pull handle.

**Security Screws**

For added security, pin head screws are available.

SSK3 Security Screw Kit for Rim Devices Contains:

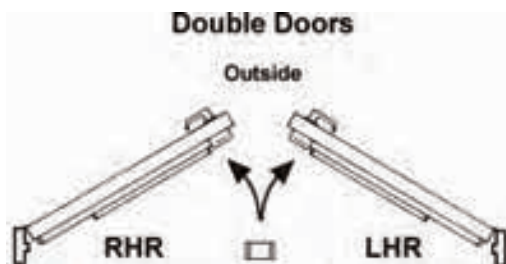
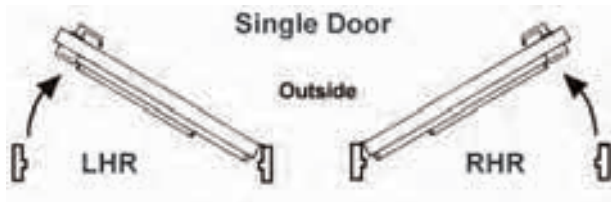
- 2 MS 10/32, FH, Undercut
- 4 MS 6/32 FH
- 2 MS 1/4-20 BH
- 2 SMS #14 x 1" BH Type AB
- 4 Tamper Bits required for above

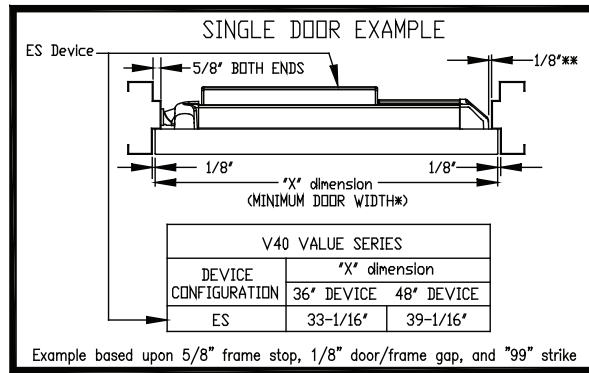
**Sex Bolts**

If sex bolts are required, see chart below for quantity required for each device.

SN1 kit contains 2 each 1/4-20 bolts. Specify finish.

Function or Trim	Rim Devices
	V40 Series
01	4
02, 03	2
08, 09 & 14	2

**Handing**



\*\* DOOR SHOWN WITH 1/8" CLEARANCE FOR END CAP, SOME WEATHERSTRIP REQUIRES ADDITIONAL CLEARANCE. ADDITIONAL CLEARANCE WILL REQUIRE WIDER DOORS.

Charts are based upon 5/8" frame stop, 1/8" door/frame end gap, and "99" strike standard

**Minimum Door Widths/Cut Down Chart**

V40 VALUE SERIES - STANDARD SILE RIM (99 STRIKE)		
DEVICE CONFIGURATION	"X" dimension	
	3-0 DEVICE	4-0 DEVICE
EB	33"	39"
EH	33"	39"
EI	33"	39"
EM	34-3/4"	40-3/4"
EE	34-3/4"	40-3/4"
ED	34-1/8"	40-1/8"
ER	34-3/4"	40-3/4"
ES	33"	39"
EX	29"	35"
CD	29"	35"
HD	29"	35"
LD	28-3/8"	34-3/8"

- 1) For single door frames with no stop, subtract 1-1/4" from minimum door width
- 2) For Mullion application add 7/16" to each door width
- 3) Standard strike for V40 Series is 99 strike, backset is 2-1/4"
- 4) Standard strike for V40NS Series is 98 strike with no stop, backset is 1-1/8"



**Minimum Door Widths Cont'd**

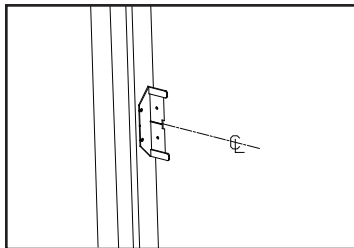
V50 VALUE SERIES - SVR WITH 5/8" STOPS, BACKSET = 1-1/8"		
DEVICE CONFIGURATION	"X" dimension	
	3-0 DEVICE	4-0 DEVICE
EB	32"	38"
EH	32"	38"
EI	32"	38"
EE	33-3/4"	39-3/4"
ED	33-1/8"	39-1/8"
ER	33-3/4"	39-3/4"
ES	32"	38"
EX	28"	34"
CD	28"	34"
HD	28"	34"
LD	27-3/8"	33-3/8"

1) For double door frames without stops, subtract 5/8" from minimum door width

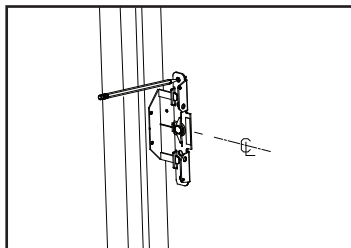
**Installation**

The patented Value Series mounting plate and strike locator system allows:

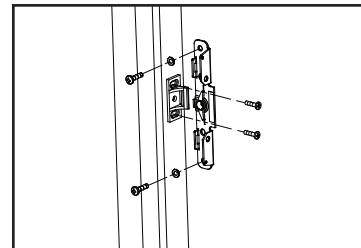
- Quick and easy installation by one person
- Accurate backset every time
- No paper templates
- Square up to door and frame made easy



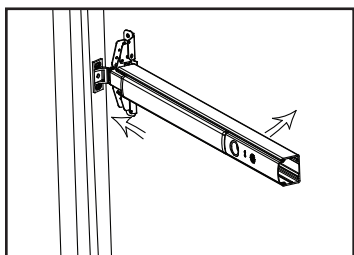
**Step 1**



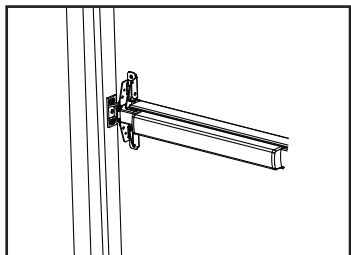
**Step 2**



**Step 3**



**Step 4**



**Step 5**

**Cylinder Requirements**

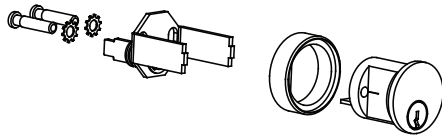
---

Product	Rim Cylinder	Mortise Cylinder All Use Standard (Yale) Cam
Cylinder Dogging		X
Electrified Options EB, EI, EM		X
All 03 Function Trims	X	
All 08 & 09 Function Trims		X

**03 Function Detail**

---

All Value Series 03 Function outside trims are supplied with a self-adjusting tailpiece that correctly fits into the cam on the mounting plate.

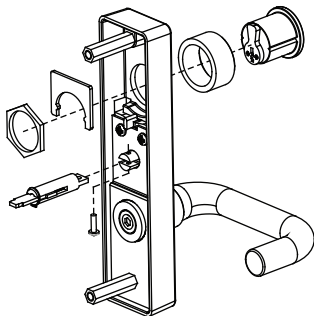


Tailpiece Used	Door Thickness
	1-3/4" and 2" Thick Doors
	2-1/4" Thick Doors

Rim cylinder tailpieces are cut to fit into this tailpiece making the cut less critical.

**08 & 09 Function Detail**

---



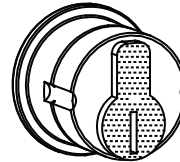
Lever trims come with the adjustable tailpiece which is attached to the escutcheon.

**Mortise Cylinder Length**

---

The cylinder assembly in the slide-in filler used for both the cylinder dogging and electrified options are supplied with shims to accommodate cylinder lengths from 7/8" to 1-1/4".

Mortise cylinder



**Cylinder Collars**

---

See Accessories for Cylinder Collar lengths.

**Narrow Stile Door Kits**

---

The Detex Value Series Panic Device (V40 Series) is available in two standard lengths, 36" and 48" and is applicable to most standard flush, medium and wide stile doors, 3' to 4' wide. For 2" narrow stile doors, order V40xNS.

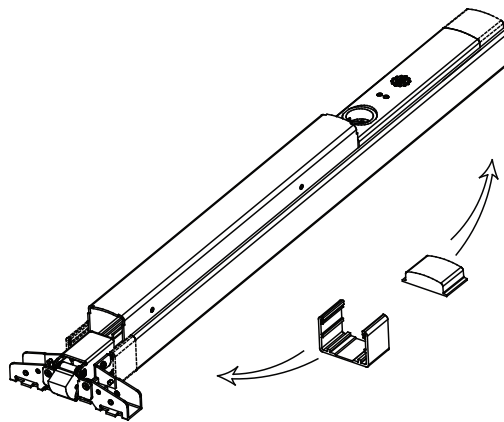
**Detex V40 Narrow Stile Door Kits**

---

<u>Part Number</u>	<u>Finish</u>	<u>Description</u>
NSK1	628	Clear Anodized Aluminum
NSK2	711	Black Anodized Aluminum

Kit includes #98 semi-mortise strike, conversion pieces and instructions - See illustration below.

For meeting unexpected needs in the field the Narrow Stile Door Kit or NSK is available and converts a standard V40 to narrow stile in less than 5 minutes. This is just another example of the flexibility of the Detex product line.

**Narrow Stile Mounting Plates**

---

Mounting Plate	V40 Series Functions
BP2	01, 02, 08, 09, 14
BP8	03 only

***Life Safety  
and  
Security Door Hardware***



# Mullions



**90KR** - Non-Fire Rated Keyed Removable Mullion

**F90KR** - Fire Rated Keyed Removable Mullion

# KEYED REMOVABLE MULLION

## F90KR & 90KR

---

The Detex Key Removable Mullions are very durable, low cost mullions designed for use with rim exit devices on standard and fire-rated pairs of doors. The unique design of the latching head allows the mullion to be removed in seconds with one key turn, and then to be snapped back into place without needing the key.



---

### Benefits

- Mullion can be removed in seconds with one key turn, and easily snaps back into place without needing the key
- Simple, user-friendly operation
- Provides years of trouble-free service and protection
- Cylinder located inside the building to prevent tampering (cylinder sold separately)
- Easily adapted to any double door application
- Easy installation, no drilling of the mullion tube
- Easily cut to fit most any size application (10' and smaller)
- Standard primer gray coating allows for easy field painting
- Easy retrofit application

---

### Features

- For use on standard and fire-rated pairs of doors
- Designed for heavy duty use
- Small profile base plate prevents interference when moving objects through doorway
- Locking head mounted to frame, not mullion
- Available for 7', 8' & 10' doors
- Shims provided to insure accurate fit

---

### Accessories

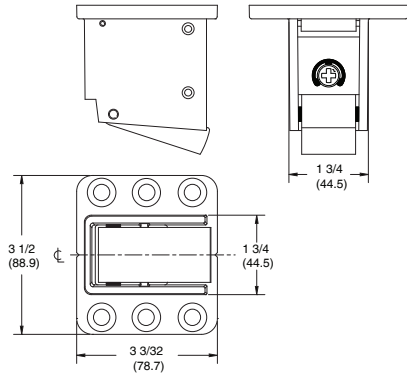
- SHK1 - Strike Hook Kit (Std. with Fire Rated Mullion)

---

### Technical Information

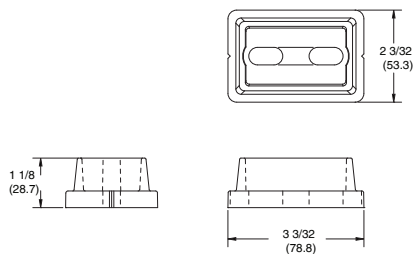
- 11 gauge, 2" x 3" steel mullion tube
- Base anchors included

## Top Fitting



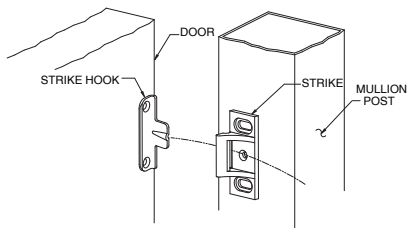
Top fitting has a latch that allows the mullion to be locked back into place without use of the key.

## Sill or Bottom Fitting

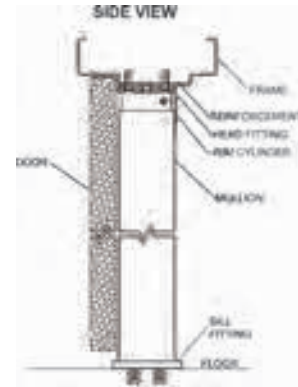
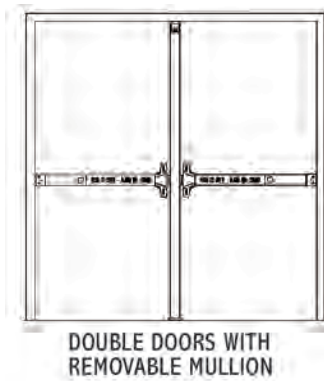


The sill or bottom fitting has a small footprint and, once installed, all fasteners are hidden by the mullion tube.

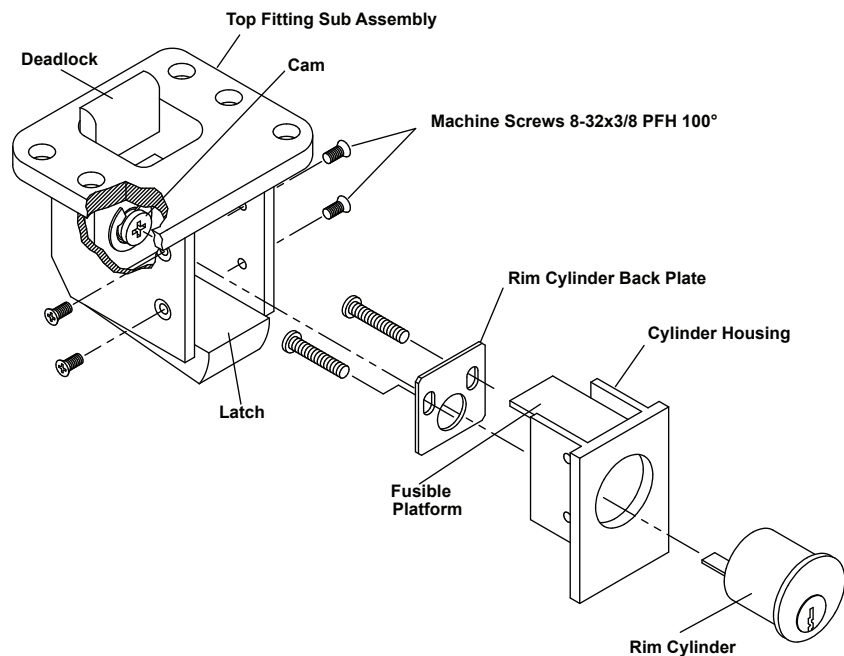
## Strike Hook Installation



## Riser Diagram



## Cylinder Installation



## Listings and Approvals



UL and Warnock Hersey Listed for 3 hour fire rated pairs of doors up to 8'x8'



WHI labeled for use with other manufacturers' fire exit hardware (Call for non-Detex product applications)

## Detex Limited Warranty

3 Year Limited Manufacturers Warranty

Where Trust is Built™

**DETEX**®

Life Safety and Security Door Hardware

Detex Corporation  
 302 Detex Drive  
 New Braunfels, Texas 78130-3045 USA  
 PH. (830) 629-2900  
 (800) 729-3839  
 FAX (830) 620-6711  
 (800) 653-3839  
<http://www.detex.com>  
 USA Sales:  
[marketing@detex.com](mailto:marketing@detex.com)  
 International Sales:  
[export@detex.com](mailto:export@detex.com)

# *Life Safety and Security Door Hardware*



**AUTOMATIC OPERATORS**



# AO19 SERIES®

## AO19-1

### Low Energy Automatic Door Operators for Single Doors

---

The AO19 Series Automatic Operator for single doors is an easy to install, heavy duty product for high use and high abuse low energy applications. The AO19 Series meets requirements for ANSI/BHMA A156.19 (American National Standard for Power Assist and Low Energy Power Operated Doors) and provides standard features that meet the requirements of the American Disabilities Act.



AO19-1 RH Push

Shown with 21 Series  
Electric Latch  
Retraction (ER)

---

#### Benefits

- Economical operator provides safe and easy access in medium to high-traffic and security areas
- Provides ADA compliant access to handicap applications
- Quiet operation
- Hanger plate allows quick installation
- Self-contained unit in an extruded case allows easy access for maintenance and adjustments
- Works with existing access control, locking and computer signal devices
- Reduced service calls due to heavy-duty construction
- 3-way low-voltage ON/OFF/HOLD switch for ease of service and setup
- 115VAC power plug-in mounted in header
- Easy manual use

---

#### Features

- Available in single, pair (twin) for independent, simultaneous and dual egress openings
- Single voltage source required to operate
- Electric lock switch provides a small delay before door opens to unlock an electric strike, maglock or other types of electric locks
- Adjustable delayed activation for sequenced vestibule doors
- Reverse on obstruction stalls a door during closing cycle and re-activates to open if an obstruction is sensed anytime before the latch position. Must be selected to activate.
- Adjustable closing speed
- Push & Go (Use for Handicap) activates when door is manually pushed to open. Must be selected to activate.
- Power close applies a reverse power to aid in latch check position. Must be selected to activate.

## Mechanical Options

- LH Push - Left Hand Push
- RH Push - Right Hand Push
- LH Pull - Left Hand Pull
- RH Pull - Right Hand Pull
- 39.5" - Fits above most 36" doors
- 45.5" - Fits above most 42" doors
- 52" - Fits above most 48" doors

## Accessories

- 104792 - Wireless Button Package (includes 2 buttons, box and receiver)
  - PB-2048-3 - Mushroom switch, hard-wired
  - PT5 - Power Transfer
  - DS-3681-630 - Electric Strike, cylindrical
  - EWH8-626 - Electric Hinge
- Call for available activation options

## Technical Information

Power Requirements -  
• 115VAC 60 HZ 3 amps

Motor  
• 115VDC rectified

- 1/8 hp
- 60:1 gearbox

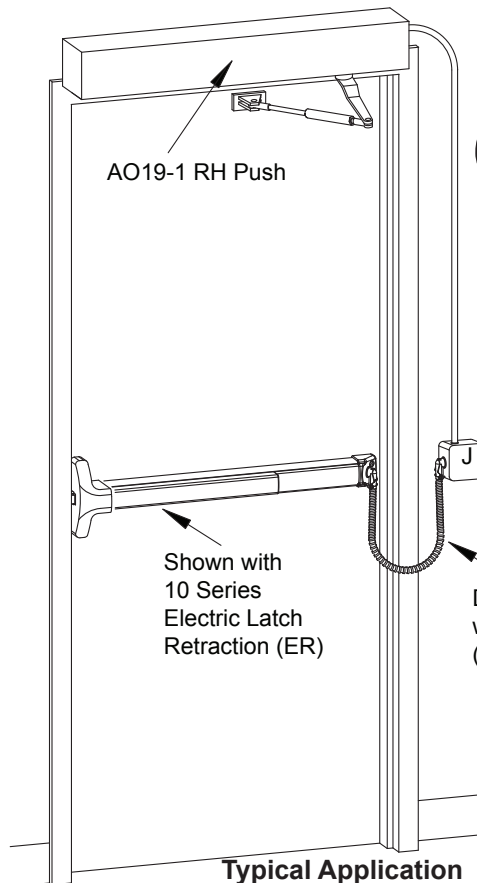
Module -  
• Activation input terminals  
• Form C lock switch terminals  
• Safety lock-out built in  
• 17 additional features standard on board

Enclosure -  
• 7" h x 4 1/2" d  
• Approximately 50 lbs  
• Aluminum extrusion

## Finishes

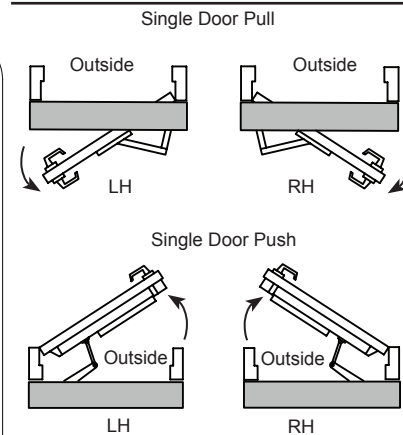
- AL - 204-Ri Clear: Arch. Class II anodized coating, AA-M12C22A31
- BZ - 313-Ri Dark Bronze: Arch. Class II Anodized coating, AA-M12C22A32

## Riser Diagram



Typical Application

## Handing Diagram



## Listings and Approvals -



Certified to  
ANSI/UL 325  
Tested - ANSI 156.19



Meets ADA  
requirements



Certified to  
CAN/CSA 247-92



3-Hour Fire  
Listed

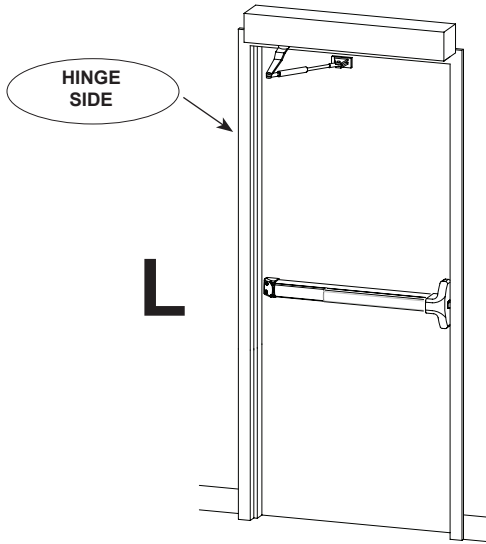
## Detex Limited Warranty

3 Year Mechanical / 1 year Electrical  
Limited Manufacturers Warranty

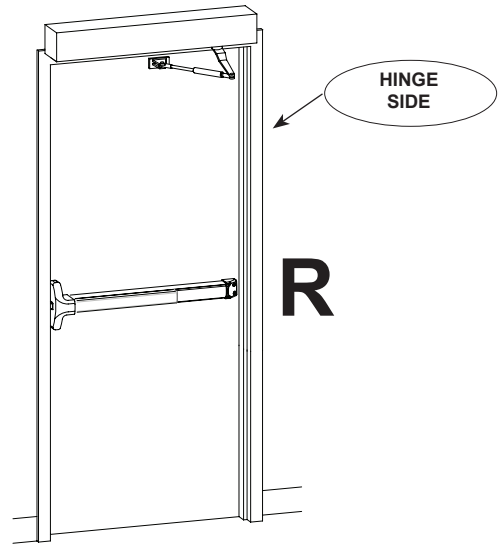
*Where Trust is Built™*  
**DETEX®**  
*Life Safety and Security Door Hardware*

Detex Corporation  
302 Detex Drive  
New Braunfels, Texas 78130-3045 USA  
PH. (830) 629-2900  
(800) 729-3839  
FAX (830) 620-6711  
(800) 653-3839  
<http://www.detex.com>  
USA Sales:  
[marketing@detex.com](mailto:marketing@detex.com)  
International Sales:  
[export@detex.com](mailto:export@detex.com)

# AO19-1 (Single Door)

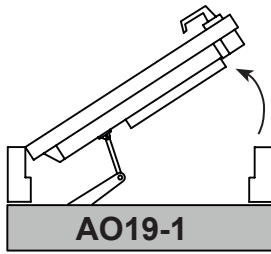


LS Shown

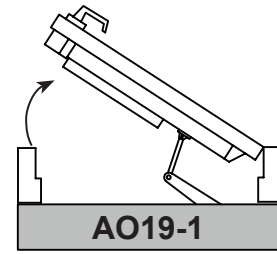


RS Shown

**LS**



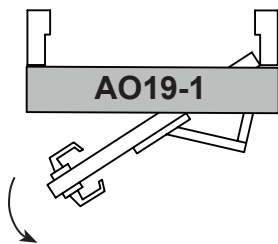
**LEFT HAND PUSH OPERATOR**



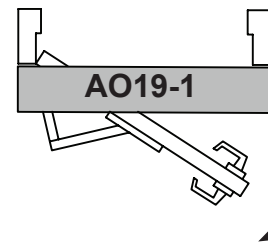
**RS**

**RIGHT HAND PUSH OPERATOR**

**LP**



**LEFT HAND PULL OPERATOR**



**RP**

**RIGHT HAND PULL OPERATOR**

# AO19 SERIES®

## AO19-2

### Low Energy Automatic Door Operators for Double Doors

The AO19 Series Automatic Operator for double doors is an easy to install, heavy duty product for high use and high abuse low energy applications. The AO19 Series meets requirements for ANSI/BHMA A156.19 (American National Standard for Power Assist and Low Energy Power Operated Doors) and provides standard features that meet the requirements of the American Disabilities Act.



#### Benefits

- Economical operator provides safe and easy access in medium to high-traffic and security areas
- Provides ADA compliant access to handicap applications
- Quiet operation
- Hanger plate allows quick installation
- Self-contained unit in an extruded case allows easy access for maintenance and adjustments
- Works with existing access control, locking and computer signal devices
- Reduced service calls due to heavy-duty construction
- 3-way low-voltage ON/OFF/HOLD switch for ease of service and setup
- 115VAC power plug-in mounted in header
- Easy manual use

#### Features

- Available in single, pair (twin) for independent, simultaneous and dual egress openings
- Single voltage source required to operate
- Electric lock switch provides a small delay before door opens to unlock an electric strike, maglock or other types of electric locks
- Adjustable delayed activation for sequenced vestibule doors
- Reverse on obstruction stalls a door during closing cycle and re-activates to open if an obstruction is sensed anytime before the latch position. Must be selected to activate.
- Adjustable closing speed
- Push & Go (Use for Handicap) activates when door is manually pushed to open. Must be selected to activate.
- Power close applies a reverse power to aid in latch check position. Must be selected to activate.

## Mechanical Options

- |        |  |   |
|--------|--|---|
| • Push | • 75.5" - Fits above most pairs of 36" doors | • 92" - Fits above most 44" pairs of doors  |
| • Pull |  | • 100" - Fits above most 48" pairs of doors |

## Accessories

- |   |  |                             |
|---|--|-----------------------------|
| • 104792 - Wireless Button Package (includes 2 buttons, box and receiver) | • PB-2048-3 - Mushroom switch, hard-wired    | • PT5 - Power Transfer      |
| Call for available activation options                                     | • DS-3681-630 - Electric Strike, cylindrical | • EWH8-626 - Electric Hinge |

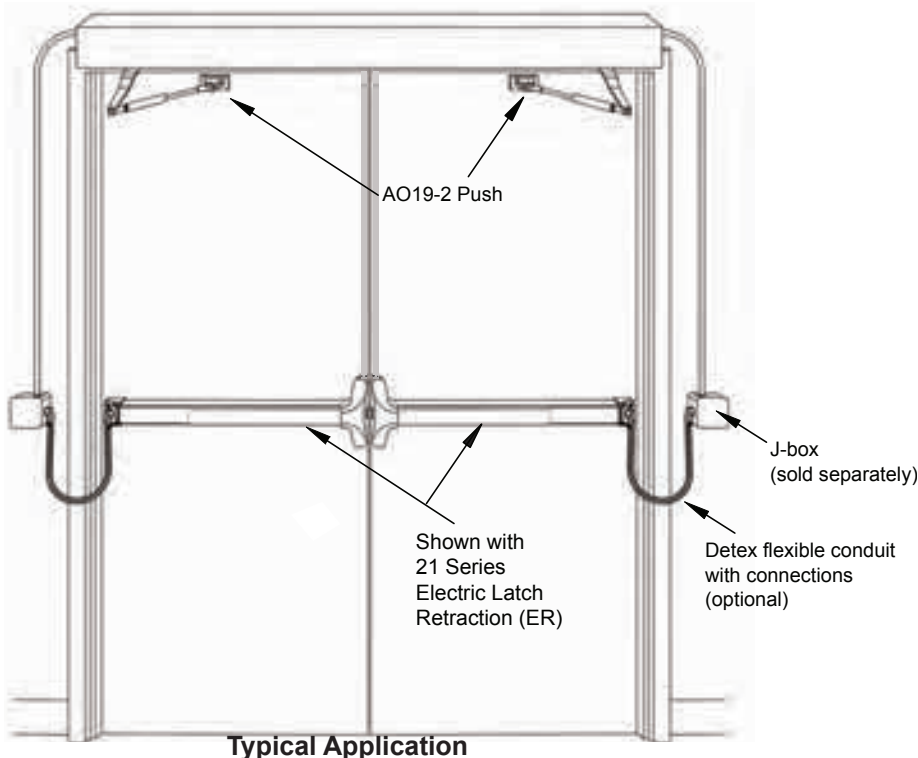
## Technical Information

- |  |   |   |
|--|---|---|
| <b>Power Requirements -</b><br>• 115VAC 60 HZ 3 amps<br><br><b>Motor -</b><br>• 115VDC rectified<br><br>• 1/8 hp<br><br>• 60:1 gearbox | <b>Module -</b><br>• Activation input terminals<br><br>• Form C lock switch terminals<br><br>• Safety lock-out built in<br><br>• 17 additional features standard on board | <b>Enclosure -</b><br>• 7" h x 4 1/2" d<br><br>• Approximately 50 lbs<br><br>• Aluminum extrusion |
|--|---|---|

## Finishes

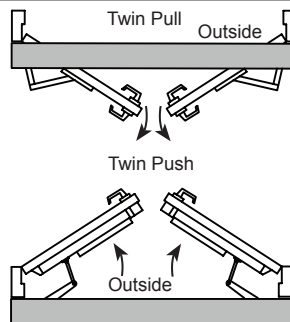
- AL - 204-Ri Clear: Arch. Class II anodized coating, AA-M12C22A31
- BZ - 313-Ri Dark Bronze: Arch. Class II Anodized coating, AA-M12C22A32

## Riser Diagram



Typical Application

## Handing Diagram



## Listings and Approvals



Certified to ANSI/UL 325  
Tested - ANSI 156.19



Meets ADA requirements



Certified to CAN/CSA 247-92



3-Hour Fire Listed

## Detex Limited Warranty

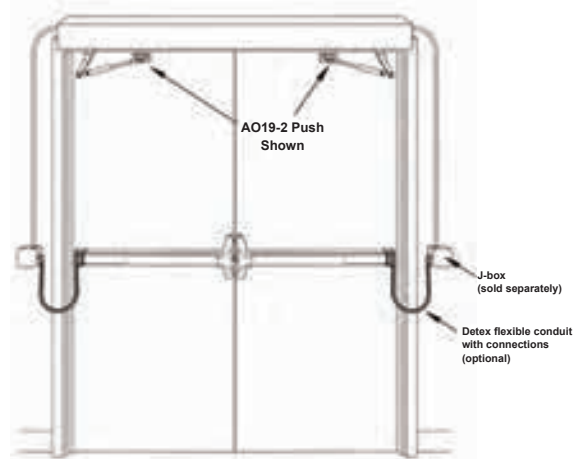
3 Year Mechanical / 1 year Electrical  
Limited Manufacturers Warranty

*Where Trust is Built™*  
**DETEX®**  
*Life Safety and Security Door Hardware*

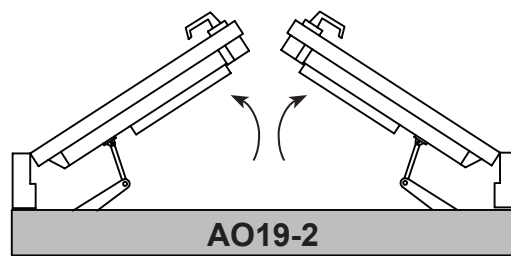
Detex Corporation  
 302 Detex Drive  
 New Braunfels, Texas 78130-3045 USA  
 PH. (830) 629-2900  
 (800) 729-3839  
 FAX (830) 620-6711  
 (800) 653-3839  
<http://www.detex.com>  
 USA Sales:  
[marketing@detex.com](mailto:marketing@detex.com)  
 International Sales:  
[export@detex.com](mailto:export@detex.com)

# AO19-2 (Pair of Doors)

**P**

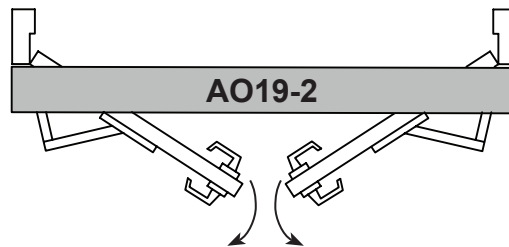


**PS**



**Twin Push**

**PP**



**Twin Pull**

# AO19 SERIES®

## AO19-3

### Low Energy Automatic Door Operators for Double Egress Doors

The AO19 Series Automatic Operator for double egress doors is an easy to install, heavy duty product for high use and high abuse low energy applications. The AO19 Series meets requirements for ANSI/ BHMA A156.19 (American National Standard for Power Assist and Low Energy Power Operated Doors) and provides standard features that meet the requirements of the American Disabilities Act.



Shown with 21 Series  
Electric Latch  
Retraction (ER)

← AO19-3 Dual Egress

#### Benefits

- Economical operator provides safe and easy access in medium to high-traffic and security areas
- Provides ADA compliant access to handicap applications
- Quiet operation
- Hanger plate allows quick installation
- Self-contained unit in an extruded case allows easy access for maintenance and adjustments
- Works with existing access control, locking and computer signal devices
- Reduced service calls due to heavy-duty construction
- 3-way low-voltage ON/OFF/HOLD switch for ease of service and setup
- 115VAC power plug-in mounted in header
- Easy manual use

#### Features

- Available in single, pair (twin) for independent, simultaneous and dual egress openings
- Single voltage source required to operate
- Electric lock switch provides a small delay before door opens to unlock an electric strike, maglock or other types of electric locks
- Adjustable delayed activation for sequenced vestibule doors
- Reverse on obstruction stalls a door during closing cycle and re-activates to open if an obstruction is sensed anytime before the latch position. Must be selected to activate.
- Adjustable closing speed
- Push & Go (Use for Handicap) activates when door is manually pushed to open. Must be selected to activate.
- Power close applies a reverse power to aid in latch check position. Must be selected to activate.

## Mechanical Options

- |  |  |   |
|--|--|---|
| <ul style="list-style-type: none"> <li>• RH Typical</li> <li>• LH</li> </ul> | <ul style="list-style-type: none"> <li>• 75.5" - Fits above most pairs of 36" doors</li> </ul> | <ul style="list-style-type: none"> <li>• 92" - Fits above most 44" pairs of doors</li> <li>• 100" - Fits above most 48" pairs of doors</li> </ul> |
|--|--|---|

## Accessories

- |  |   |   |
|--|---|---|
| <ul style="list-style-type: none"> <li>• 104792 - Wireless Button Package (includes 2 buttons, box and receiver)</li> </ul> <p>Call for available activation options</p> | <ul style="list-style-type: none"> <li>• PB-2048-3 - Mushroom switch, hard-wired</li> <li>• DS-3681-630 - Electric Strike, cylindrical</li> </ul> | <ul style="list-style-type: none"> <li>• PT5 - Power Transfer</li> <li>• EWH8-626 - Electric Hinge</li> </ul> |
|--|---|---|

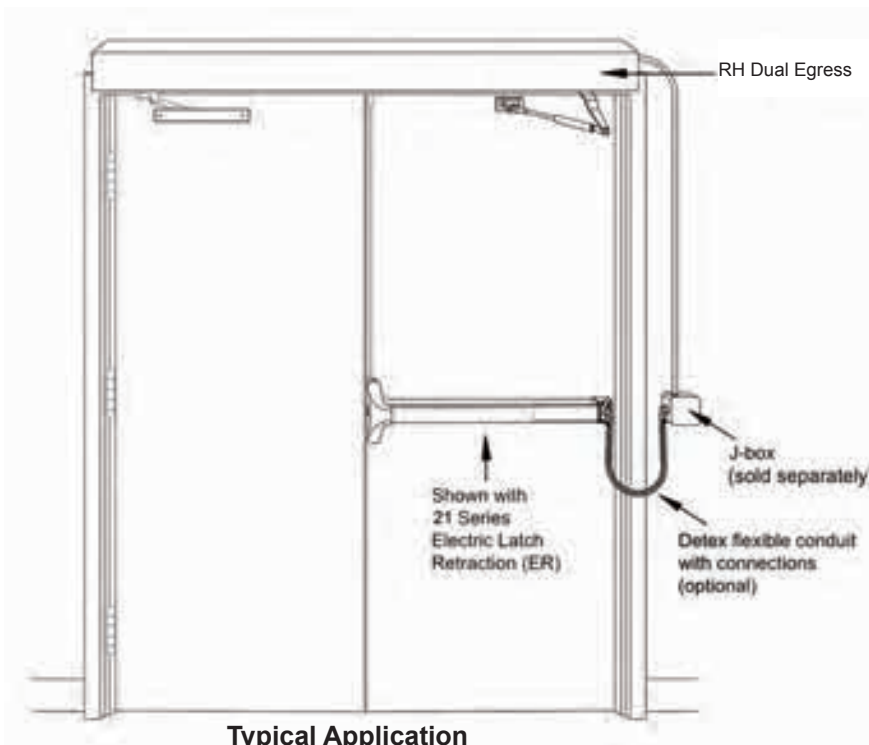
## Technical Information

- |   |  |  |
|---|--|--|
| <p>Power Requirements -</p> <ul style="list-style-type: none"> <li>• 115VAC 60 HZ 3 amps</li> </ul> <p>Motor</p> <ul style="list-style-type: none"> <li>• 115VDC rectified</li> <li>• 1/8 hp</li> <li>• 60:1 gearbox</li> </ul> | <p>Module -</p> <ul style="list-style-type: none"> <li>• Activation input terminals</li> <li>• Form C lock switch terminals</li> <li>• Safety lock-out built in</li> <li>• 17 additional features standard on board</li> </ul> | <p>Enclosure -</p> <ul style="list-style-type: none"> <li>• 7" h x 4 1/2" d</li> <li>• Approximately 50 lbs</li> <li>• Aluminum extrusion</li> </ul> |
|---|--|--|

## Finishes

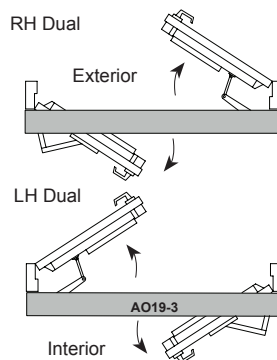
- AL - 204-Ri Clear: Arch. Class II anodized coating, AA-M12C22A31
- BZ - 313-Ri Dark Bronze: Arch. Class II Anodized coating, AA-M12C22A32

## Riser Diagram



Typical Application

## Handing Diagram



## Listings and Approvals



Certified to ANSI/UL 325  
Tested - ANSI 156.19



Meets ADA requirements



Certified to CAN/CSA 247-92



3-Hour Fire Listed

## Detex Limited Warranty

3 Year Mechanical / 1 year Electrical  
Limited Manufacturers Warranty

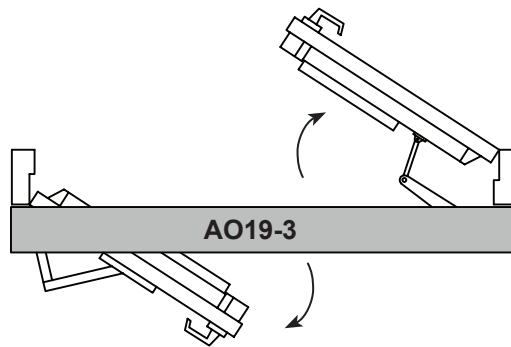
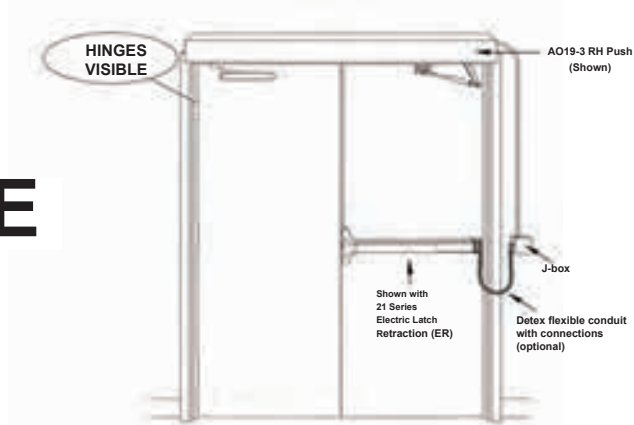
*Where Trust is Built™*  
**DETEX®**  
*Life Safety and Security Door Hardware*

Detex Corporation  
302 Detex Drive  
New Braunfels, Texas 78130-3045 USA  
PH. (830) 629-2900  
(800) 729-3839  
FAX (830) 620-6711  
(800) 653-3839  
<http://www.detex.com>  
USA Sales:  
[marketing@detex.com](mailto:marketing@detex.com)  
International Sales:  
[export@detex.com](mailto:export@detex.com)



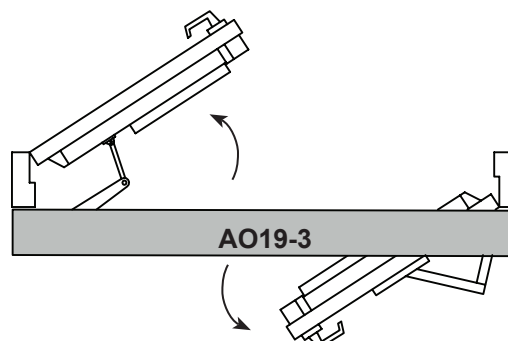
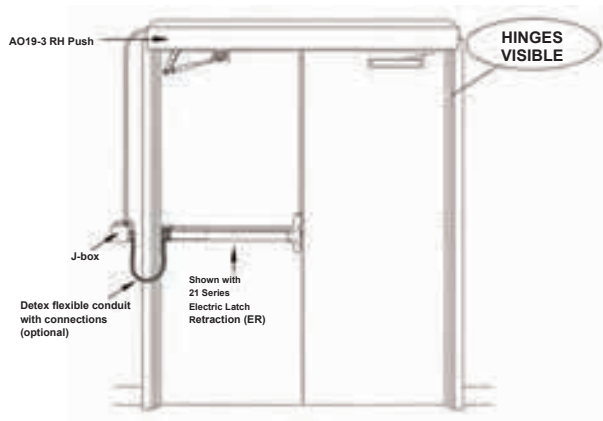
# AO19-3 (Double Egress Doors)

**RHDE**



**Right Hand Dual Egress Operator**

**LHDE**

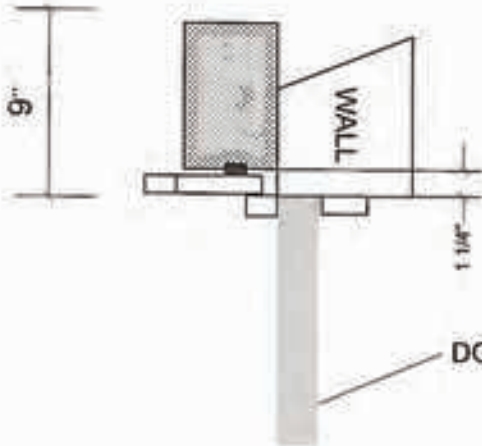


**Left Hand Dual Egress Operator**

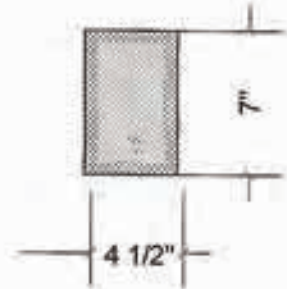
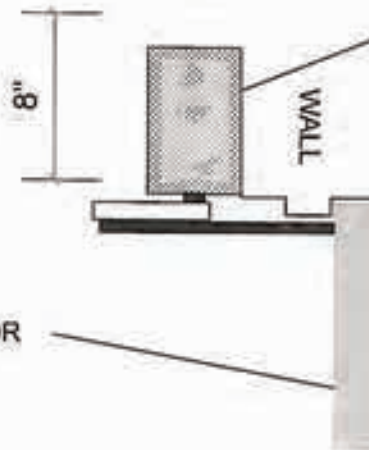
# CLEARANCE

## Overhead View

**PULL SIDE  
or DOUBLE EGRESS**



**PUSH SIDE**



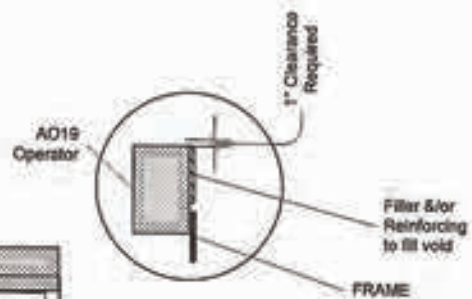
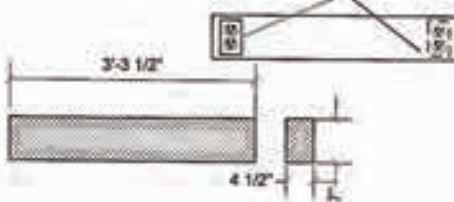
For Fire Doors Only

Fire Alarm Input  
Contacts Open on Alarm

**120 VAC  
1 Phase 15 Amp**

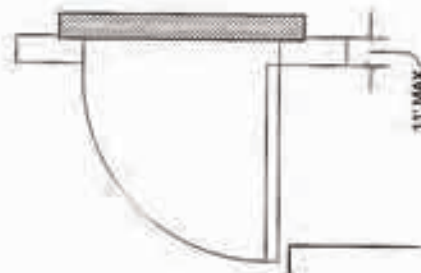
Notes  
1 Verify best entry point for  
120AC.

Duplex outlet part of operator  
- location varies



Notes

- 1 When the operator mounting is on the pull side and an adjacent wall is within 4" (101.6 mm) of the door frame, specify a parallel arm.
2. When installed on fire rated openings operator must be connected to fire alarm, preventing operator from functioning on fire alarm.
- 3 Maximum swing, wall permitting, 120 degree. Push side, maximum reveal 11 inches.
4. Maximum door weight - 200 pounds





### **List of Accessories**

**4 1/2" Round Push Plate Switches**

**6" Round Push Plate Switches**

**4 1/2" Square Push Plate Switches**

**Jamb Mount Push Plate**

**Vestibule Push Plate**

**Keyswitch Push Plate Combination**

**Key Switch**

**Switch Posts**

**Hand-Held Transmitter**

**Transmitters**

**Multi-Mode Receivers**

**DH97 Presence Sensor**

**Swing Door Mounted Presence Sensor**

# AO19 SERIES®

## AO19 Activation Switches 4 1/2" Round Push Plate Switches

The 104742-X switches combine architectural quality finishes with industrial grade components to provide attractive and reliable automatic door activation.



-H



-HSS



-P

### Benefits

- The 104742 Series push plate switches are designed to provide reliable activation of any automatic door.
- Designed as a universal switch, the 104742 Series fit single-gang electrical boxes with no adapters necessary.
- Durable finishes.
- Each unit is built utilizing heavy gauge stainless steel, aircraft quality rivets and screws.
- The most reliable microswitch in the industry.

### Features

- The 104742 Series features 4" round face plates in either stainless steel or blue powder coated aluminum with etched and paint-filled legends.
- Includes tamper-resistant screws.
- 4" All Active Face Plate.
- H 4 1/2" Formed Stainless Steel Back Plate.
- A surface mount box is also available. 104738-1025
- Rubber "Bellows" increases weather protection (included).
- Fits single or 2-gang Electrical Box or #104738-1025 Surface Mount Box.

### Electrical Options

- Radio Control Versions Available

### Accessories

- 104738-1025 mounting box



- 104752 CP-RX Receivers



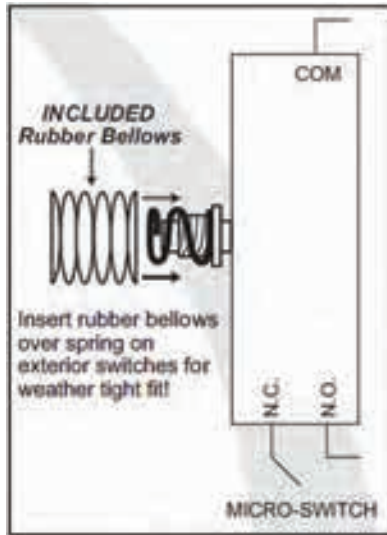
- 104753-R4 Mounting Box with Transmitter



## Technical Information

- 4" All Active Face Plate
- 4 1/2" Formed Stainless Steel Back Plate
- UL Listed Momentary Switch, SPDT, 15 Amp @ 125V AC
- Rubber "Bellows" increases weather protection (included)

## Riser Diagram



## Listings and Approvals



American National Standards Institute (ANSI)



Building Hardware Manufacturers Association (BHMA) - ANSI/BHMA A156.10 & A156.19

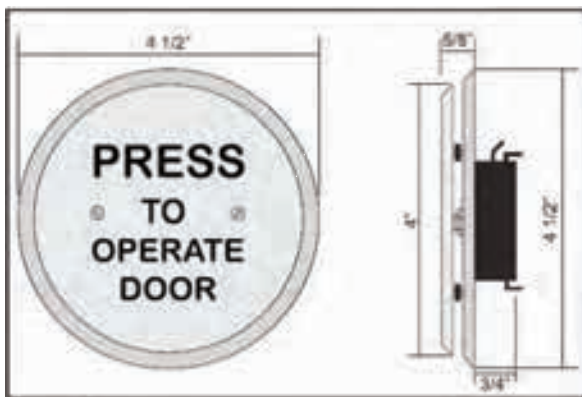


UL Approved Switches

## Warranty

1 Year Mechanical Limited Manufacturers Warranty

## Dimensions



*Where Trust is Built™*  
**DETEX®**  
*Life Safety and Security Door Hardware*

Detex Corporation  
302 Detex Drive  
New Braunfels, TX 78130  
PH (830) 629-2900  
(800) 729-3839  
FX (830) 620-6711  
(800) 653-3839  
<http://www.detex.com>  
USA Sales:  
[marketing@detex.com](mailto:marketing@detex.com)  
International Sales:  
[export@detex.com](mailto:export@detex.com)

# AO19 SERIES®

## AO19 Activation Switches 6" Round Push Plate Switches

The 104743-X switches combine architectural quality finishes with industrial grade components to provide attractive and reliable automatic door activation.



-H



-HSS



-P

### Benefits

- The 104743 Series push plate switches are designed to provide reliable activation of any automatic door.
- Designed as a universal switch, the 104743 Series fit single-gang electrical boxes with no adapters necessary.
- Durable finishes.
- Each unit is built utilizing heavy gauge stainless steel, aircraft quality rivets and screws.
- The most reliable microswitch in the industry.

### Features

- The 104742 Series features 5 1/2" round face plates in either stainless steel or blue powder coated aluminum with etched and paint-filled legends.
- Includes tamper-resistant screws.
- 5 1/2" All Active Face Plate.
- H 6" Formed Stainless Steel Back Plate.
- A surface mount box is also available. 104738-1030
- Rubber "Bellows" increases weather protection (included).
- Fits single or 2-gang Electrical Box or #104738-1030 Surface Mount Box.

### Electrical Options

- Radio Control Versions Available

### Accessories

- 104738-1030 mounting box



- 104752 CP-RX Receivers



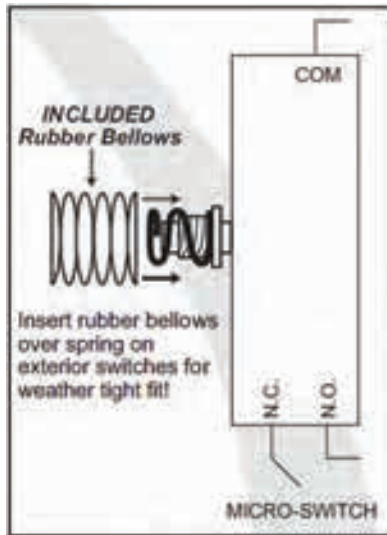
- 104753-R4 Mounting Box with Transmitter

- 104753-STX-R6 Mounting Box with Sequencing Transmitter

## Technical Information

- 5 1/2" All Active Face Plate
- 6" Formed Stainless Steel Back Plate
- UL Listed Momentary Switch, SPDT, 15 Amp @ 125V AC
- Rubber "Bellows" increases weather protection (included)

## Riser Diagram



## Listings and Approvals



American National Standards Institute (ANSI)



Building Hardware Manufacturers Association (BHMA) - ANSI/BHMA A156.10 & A156.19

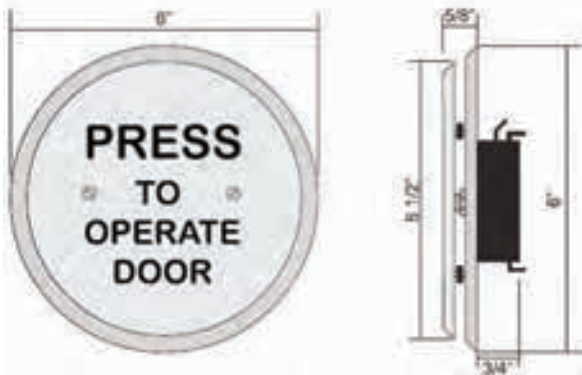


UL Approved Switches

## Warranty

1 Year Mechanical Limited Manufacturers Warranty

## Dimensions



*Where Trust is Built™*  
**DETEX®**  
*Life Safety and Security Door Hardware*

Detex Corporation  
302 Detex Drive  
New Braunfels, TX 78130  
PH (830) 629-2900  
(800) 729-3839  
FX (830) 620-6711  
(800) 653-3839  
<http://www.detex.com>  
USA Sales:  
[marketing@detex.com](mailto:marketing@detex.com)  
International Sales:  
[export@detex.com](mailto:export@detex.com)

# AO19 SERIES®

## AO19 Activation Switches 4 1/2" Square Push Plate Switches

The 104755-X switches combine architectural quality finishes with industrial grade components to provide attractive and reliable automatic door activation.



104755



-H



-HSS



-W



-WSS



-P

### Benefits

- The 104755 Series push plate switches are designed to provide reliable activation of any automatic door.
- Designed as a universal switch, the 104755 Series fit single-gang or 2-gang electrical boxes with no adapters necessary.
- Durable finishes.
- Each unit is built utilizing heavy gauge stainless steel, aircraft quality rivets and screws.
- The most reliable microswitch in the industry.

### Features

- The 104755 Series features 4" square face plates in either stainless steel or blue powder coated aluminum with etched and paint-filled legends.
- Includes tamper-resistant screws.
- 4" x 4" All Active Face Plate.
- H 4 1/2" x 4 1/2" Formed Stainless Steel Back Plate.
- A surface mount box is also available. 104738-1020
- Rubber "Bellows" increases weather protection (included).
- Fits single or 2-gang Electrical Box or #104738-1015 Surface Mount Box.

### Electrical Options

- Radio Control Versions Available

### Accessories

- 104738-1015 mounting box



- 104792 Complete Wireless Button Package



- 104738-1020 Mounting Box



- 104752 CP-RX Receivers



- 104753 Mounting Box with Transmitter



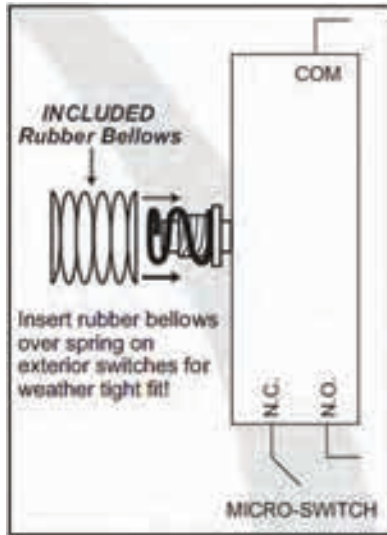
- 104786-X Wireless Vestibule Sequencing Package



## Technical Information

- 4" x 4" All Active Face Plate
- 4 1/2" x 4 1/2" Formed Stainless Steel Back Plate
- UL Listed Momentary Switch, SPDT, 15 Amp @ 125V AC
- Rubber "Bellows" increases weather protection (included)

## Riser Diagram



## Listings and Approvals



American National Standards Institute (ANSI)



Building Hardware Manufacturers Association (BHMA) - ANSI/BHMA A156.10 & A156.19

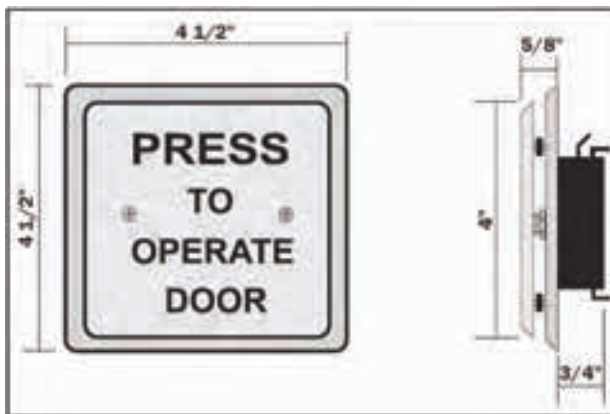


UL Approved Switches

## Warranty

1 Year Mechanical Limited Manufacturers Warranty

## Dimensions



*Where Trust is Built™*  
**DETEX®**  
*Life Safety and Security Door Hardware*

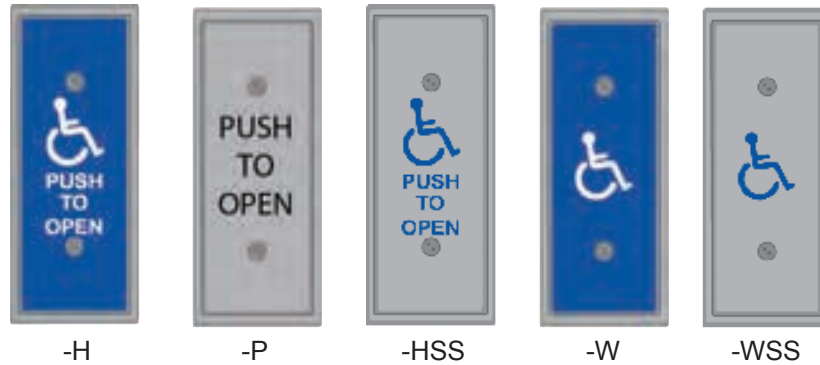
Detex Corporation  
302 Detex Drive  
New Braunfels, TX 78130  
PH (830) 629-2900  
(800) 729-3839  
FX (830) 620-6711  
(800) 653-3839  
<http://www.detex.com>  
USA Sales:  
[marketing@detex.com](mailto:marketing@detex.com)  
International Sales:  
[export@detex.com](mailto:export@detex.com)

# AO19 SERIES®

## AO19 Activation Switches

### Jamb Mount Push Plate

The 104739-X Jamb Mount switches combine architectural quality finishes with industrial grade components to provide attractive and reliable automatic door activation.



#### Benefits

- The 104739 Series push plate switches are designed to provide reliable activation of any automatic door.
- Each unit is built utilizing heavy gauge stainless steel, aircraft quality rivets and screws.
- Designed as a universal switch, the 104739 Series fits 1 3/4" Frame or 104738-1010, 104753-J Surface Mount Box with no adapters necessary.
- Durable finishes.
- The most reliable switch in the industry.

#### Features

- The 104739 Series features 1 1/2" x 4 1/2" face plates in either stainless steel or blue powder coated aluminum with etched and paint-filled legends.
- Includes tamper-resistant screws.
- 1 1/2" x 4 1/2" All Active Face Plate.
- 1 11/16" x 4 1/2" Formed Stainless Steel Back Plate.
- Rubber "Bellows" Increases Weather Protection (included).

#### Electrical Options

- Radio Control Versions Available

#### Accessories

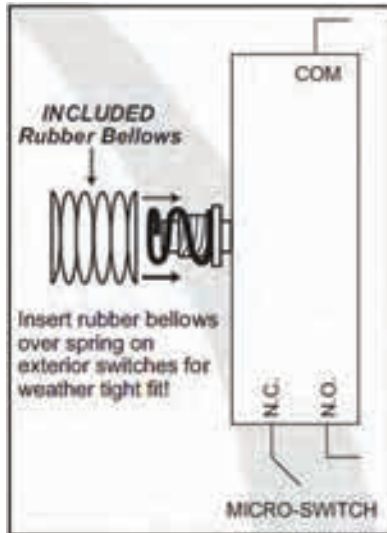
- 104738-1010 mounting box
- 104752 CP-RX Receivers
- 104753-J Mounting Box with Transmitter



## Technical Information

- 1 1/2" x 4 1/2" All Active Face Plate
- 1 11/16" x 4 1/2" Formed Stainless Steel Back Plate
- UL Listed Momentary Switch, SPDT, Mom., 15 Amp @ 125V AC
- Rubber "Bellows" Increases Weather Protection (included)

## Riser Diagram



## Listings and Approvals



American National Standards Institute (ANSI)



Building Hardware Manufacturers Association (BHMA) - ANSI/BHMA A156.10 & A156.19

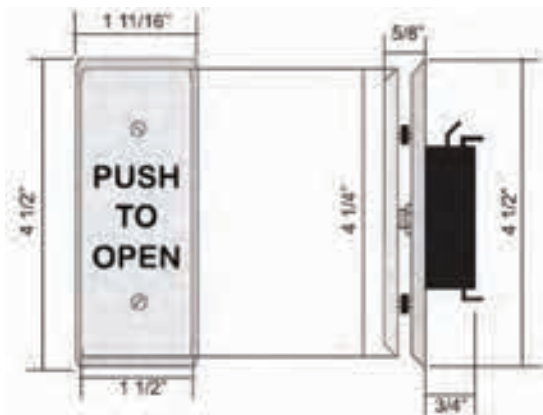


UL Approved Switches

## Warranty

1 Year Mechanical Limited Manufacturers Warranty

## Dimensions



*Where Trust is Built™*  
**DETEX®**  
*Life Safety and Security Door Hardware*

Detex Corporation  
302 Detex Drive  
New Braunfels, TX 78130  
PH (830) 629-2900  
(800) 729-3839  
FX (830) 620-6711  
(800) 653-3839  
<http://www.detex.com>  
USA Sales:  
[marketing@detex.com](mailto:marketing@detex.com)  
International Sales:  
[export@detex.com](mailto:export@detex.com)

# AO19 SERIES®

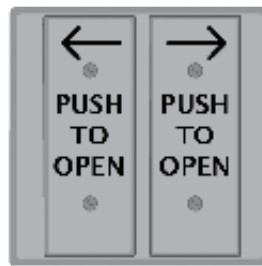
## AO19 Activation Switches

### Vestibule Push Plate

The 104744-X Vestibule switches combine architectural quality finishes with industrial grade components to provide attractive and reliable automatic door activation.



-H



-P



-HSS

### Benefits

- The 104744 Series push plate switches are designed to provide reliable activation of any automatic door.
- Designed as a universal switch, the 104744 Series fits 2-gang Electrical Box or Surface Mount Box 104738-1015, 104753-V with no adapters necessary.
- Durable finishes.
- Each unit is built utilizing heavy gauge stainless steel, aircraft quality rivets and screws.
- The most reliable microswitch in the industry.

### Features

- The 104744 Series features 2 1/2" x 4 1/2" face plates in either stainless steel or blue powder coated aluminum with etched and paint filled legends.
- 2 1/2" x 4 1/2" All Active Face Plates
- 4 1/2" x 4 1/2" Formed Stainless Steel Back Plate.
- Rubber "Bellows" increases weather protection (included).
- Includes tamper-resistant screws.

### Electrical Options

- Radio Control Versions Available

### Accessories

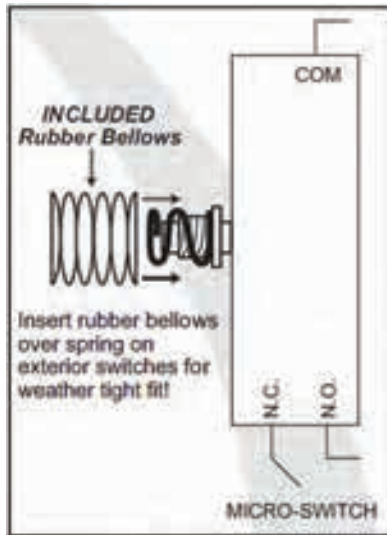
- 104738-1015 mounting box
- 104752 CP-RX Receivers
- 104753-V Mounting Box with Transmitter



## Technical Information

- 2 1/2" x 4 1/2" All Active Face Plate.
- 4 1/2" x 4 1/2" Formed Stainless Steel Back Plate
- UL Listed Momentary Switch, SPDT, 15 Amp @ 125V AC
- Rubber "Bellows" increases weather protection (included)

## Riser Diagram



## Listings and Approvals



American National Standards Institute (ANSI)



Building Hardware Manufacturers Association (BHMA) - ANSI/BHMA A156.10 & A156.19

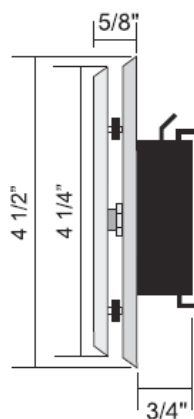
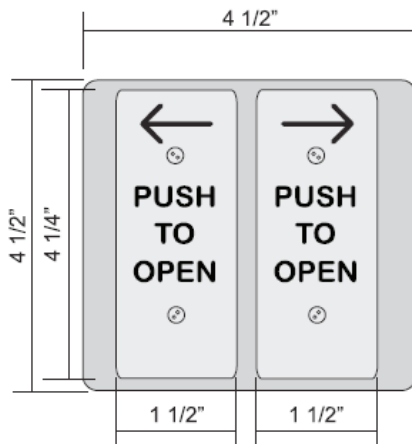


UL Approved Switches

## Warranty

1 Year Mechanical Limited Manufacturers Warranty

## Dimensions



*Where Trust is Built™*  
**DETEX®**  
*Life Safety and Security Door Hardware*

Detex Corporation  
 302 Detex Drive  
 New Braunfels, TX 78130  
 PH (830) 629-2900  
 (800) 729-3839  
 FX (830) 620-6711  
 (800) 653-3839  
<http://www.detex.com>  
 USA Sales:  
[marketing@detex.com](mailto:marketing@detex.com)  
 International Sales:  
[export@detex.com](mailto:export@detex.com)

# AO19 SERIES®

## AO19 Activation Switches Keyswitch Push Plate Combination

---

The CS-4730 Series heavy-duty keyswitches are used to momentarily activate low-voltage electrical devices or turn them on/off. They are commonly used to turn an operator or any activation device on and off and provide for secure activation of an automatic door.



---

### Benefits

- The CS-4730 Series push plate switches are designed to provide reliable activation of any automatic door.
- Rubber bellows included for push plate switch for weather protection.
- Wiring is made simple with a pluggable wiring harness.
- The CS-4730 Series fit 2-gang electrical boxes with no adapters necessary.
- The keyswitch and push plate switch can be set up to work independently, or the cylinder can be used as an economical way to secure the push plate switch in after-hours applications.

---

### Features

- The CS-4730 combo switches feature a key cylinder along with a 104739 faceplate.
- Operates with 1 1/8"-1 1/4" mortise cylinder with Adams-Rite cam.
- Includes tamper-resistant screws.

---

### Electrical Options

- Radio Control Versions Available

---

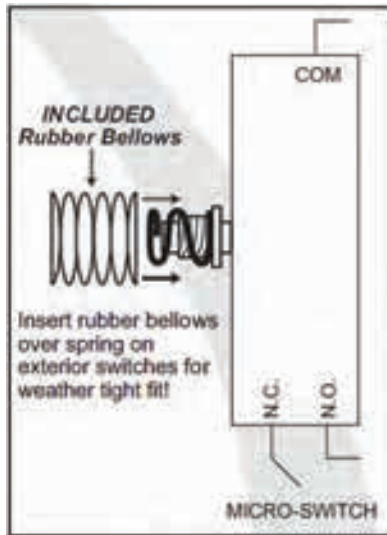
### Accessories

- 104739-HSS Push Plate
- 104739-H Push Plate
- Fits 2-gang Electrical Box or 104738-1015 Surface Mount Box
- 104739-WSS Push Plate

## Technical Information

- 4" x 4" All Active Face Plate
- 4 1/2" x 4 1/2" Formed Stainless Steel Back Plate.
- UL Listed Momentary Switch, SPDT, 15 Amp @ 125V AC
- Rubber "Bellows" increases weather protection (included)

## Riser Diagram



## Listings and Approvals



American National Standards Institute (ANSI)



Building Hardware Manufacturers Association (BHMA) - ANSI/BHMA A156.10 & A156.19

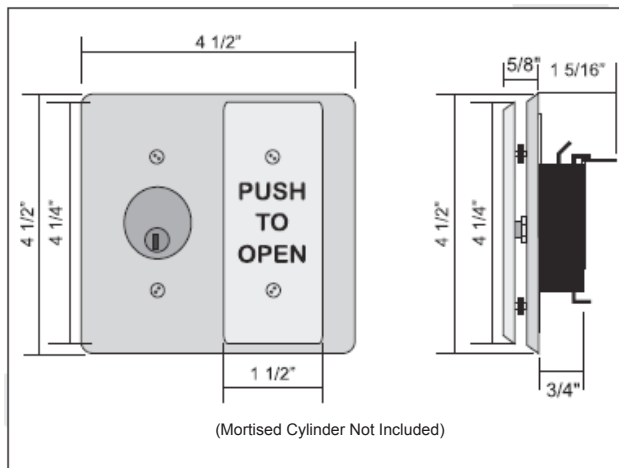


UL Approved Switches

## Warranty

1 year Limited Manufacturers Warranty

## Dimensions



*Where Trust is Built™*  
**DETEX®**  
*Life Safety and Security Door Hardware*

Detex Corporation  
 302 Detex Drive  
 New Braunfels, TX 78130  
 PH (830) 629-2900  
 (800) 729-3839  
 FX (830) 620-6711  
 (800) 653-3839  
<http://www.detex.com>  
 USA Sales:  
[marketing@detex.com](mailto:marketing@detex.com)  
 International Sales:  
[export@detex.com](mailto:export@detex.com)

# **AO19 SERIES<sup>®</sup>**

## **AO19 Activation Switches**

### **Keyswitch**

---

When used with automatic doors, the 105369 Series keyswitches can be used to turn an operator or any activation device on and off. The 105369 keyswitches are a simple way to provide secure activation of any automatic door.



### **Benefits**

---

- The 105369 fits Single-gang, 2-gange Electrical Boxes or Surface Mount Box #104738-1015 and #104738-1035.
- The 105369 Series keyswitches are available with a maintained (105369-1) or momentary (105369-2) contact switch.

### **Features**

---

- The heavy duty switch bracket features a switch activator dead stop which prevents the key cylinder from damaging a single switch.
- Operates with 1 1/8" to 1 1/4" mortise cylinder with Adams-Rite cam (available separately)
- Available in single gang style: 105369-5 maintained, 105369-6 momentary.
- Pluggable wiring harness.
- Available in narrow style: 105369-3 maintained, 105369-4 momentary.

### **Electrical Options**

---

- Radio Control Versions Available

### **Accessories**

---

- 104738-1015 mounting box
- 104738-1035 2" Deep Mounting Box



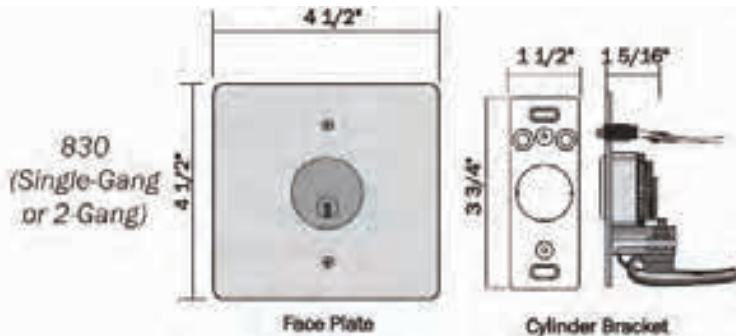
## Technical Information

---

- UL Listed Momentary Switch, SPDT, 15 Amp @ 125V AC
- Adjustable mounting holes help “Plumb and Square” key switch

## Dimensions

---



## Listings and Approvals

---



American National  
Standards Institute (ANSI)



Building Hardware Manufacturers  
Association (BHMA) - ANSI/BHMA  
A156.10 & A156.19



UL Approved Switches

## Warranty

---

3 Year Mechanical Limited Manufacturers Warranty

*Where Trust is Built™*  
**DETEX®**  
*Life Safety and Security Door Hardware*

Detex Corporation  
302 Detex Drive  
New Braunfels, TX 78130  
PH (830) 629-2900  
(800) 729-3839  
FX (830) 620-6711  
(800) 653-3839  
<http://www.detex.com>  
USA Sales:  
[marketing@detex.com](mailto:marketing@detex.com)  
International Sales:  
[export@detex.com](mailto:export@detex.com)

# AO19 SERIES®

## AO19 Activation Accessories

### Post

The 105380-X and 105396-X Series Switch Posts are designed to provide a freestanding self-contained door activation device that can be installed at any location.



### Benefits

- Attractive and built to withstand the toughest conditions.
- The 105396 Series posts are made of 5" square tubular steel that is 1/8" thick.
- The durable LongLife™ Finish protects against rust and consists of two coats: a zinc rich base coat on all surfaces and an industrial grade exterior powder coat finish.
- The integral plastic cap allows superior wireless signal range.
- An innovative ABS plastic rust shield fits under the mounting shoe to help block the corrosive action of concrete to steel contact.
- Durable Exterior Grade LongLife™ Finish with Rust Shield in Gray or Dark Bronze.

### Features

- The 105380 Series Posts come standard with a single switch cutout.
- The 105396 Series post is available with 2 switch cutouts.
- Microswitch includes Rubber Bellows for added weather protection.
- Interchangeable Surface and Inground Mounting Shoes or External Surface Mounting Foot available.
- All versions can be ordered for either hardwired or wireless operation.
- Surface Mount with Internal Shoe.
  - 105380-1: Aluminum Concealed
  - 105380-2: Bronze Concealed
  - 105396-1: Aluminum Concealed
  - 105396-2: Bronze Concealed
- Inground Mount.
  - 105380-3: Aluminum Staked
  - 105380-4: Bronze Staked
- Surface Mount with External Shoe.
  - 105380-5: Aluminum Exposed
  - 105380-6: Bronze Exposed
  - 105396-5: Aluminum Exposed
  - 105396-6: Bronze Exposed

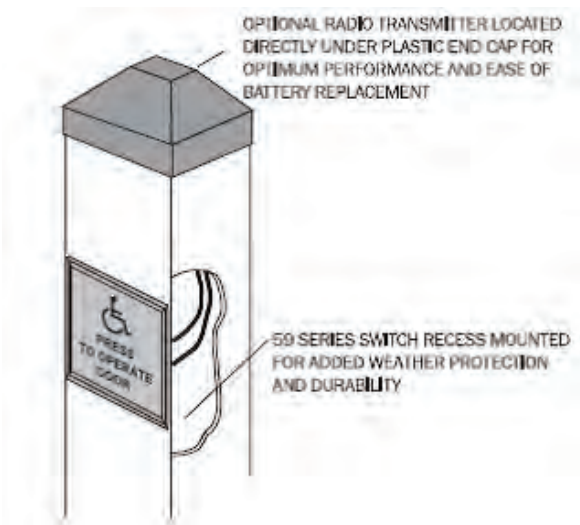
### Electrical Options

- 104753-P Post Transmitter
- 104753-STX-P Sequencing Post Transmitter

## Technical Information

- Rubber "Bellows" increases weather protection (included)
- Physical Size 5"W x 5"D x 42"H

## Riser Diagram



## Listings and Approvals

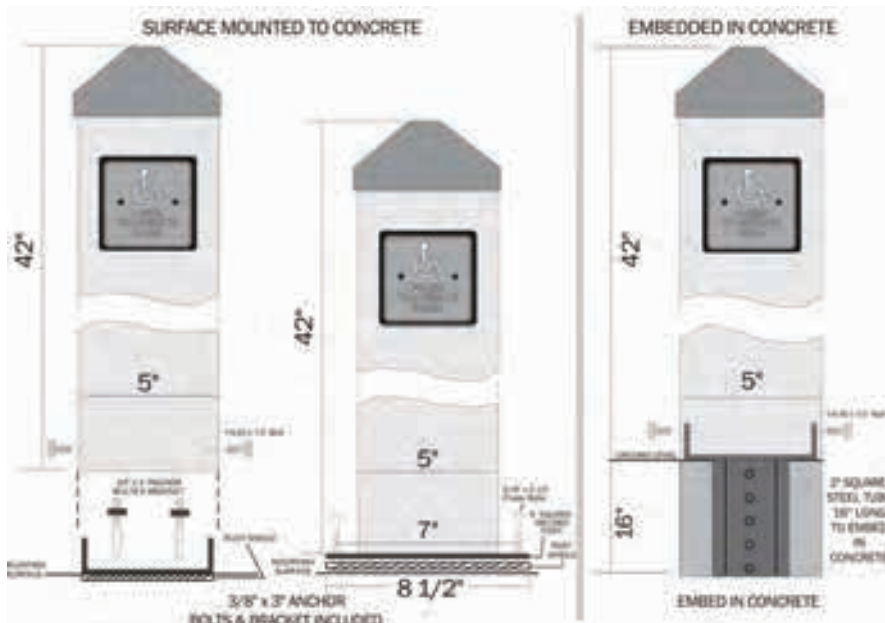


Building Hardware Manufacturers Association (BHMA) - ANSI/BHMA A156.10 & A156.19

## Warranty

1 Year Limited Manufacturers Warranty

## Dimensions



Surface Mount with Internal Shoe

Surface Mount with External Shoe

Inground Mount

*Where Trust is Built™*  
**DETEX®**  
*Life Safety and Security Door Hardware*

Detex Corporation  
 302 Detex Drive  
 New Braunfels, TX 78130

PH (830) 629-2900

(800) 729-3839

FX (830) 620-6711

(800) 653-3839

<http://www.detex.com>

USA Sales:

[marketing@detex.com](mailto:marketing@detex.com)

International Sales:

[export@detex.com](mailto:export@detex.com)

# AO19 SERIES®

## AO19 Activation Accessories Hand-Held Wireless Transmitter

---

The 104737 Wireless Transmitter provides the most reliable wireless activation of automatic doors available.



---

### Benefits

- The hand-held micro-transmitters are small enough to wear as a necklace, yet have large, easy to activate buttons.
- The transmitter can also be used interchangeably with other Manufacturer's products that operate on its frequencies as well.

---

### Features

- Utilizes Proprietary High Definition Radio Control™ (HDRC™) for unsurpassed signal transmission clarity
- Three user selectable frequencies available in single unit: HDRC™, 300 MHz, 390 MHz.
- FCC license for all three frequencies.
- SignalLock™ guarantees signal transmission when push plate is pressed.
- Power saving circuitry extends battery life.
- Integrated signal radiating antenna boosts signal strength.
- One 104737-1 (CP/TX-HH1) and Two 104737-2 (CP/TX-HH2) buttons available.
- Compact overall size with large activation buttons.
- The 104737 CP/TX can transmit three different frequencies.

---

### Electrical Options

- 104737-1 Hand-held Transmitter - 1 button
- 104737-2 Hand-held Transmitter - 2 button

---

### Accessories

- 104752 Multi-mode Dual Receiver
- 104752-RXM Multi-Mode Receiver with RXM

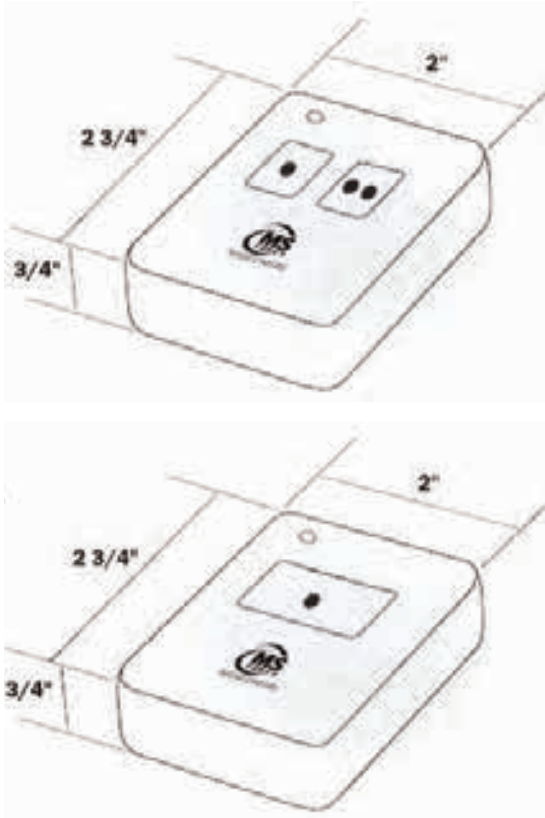
## Technical Information

---

- Temperature Range: -4°F to 140°F (-20°C to 60°C)
- 390 MHz: Compatible with MS SEDCO and GENIE™ products
- Physical Size 2"W x 3/4"D x 2 3/4"H
- 300 MHz: Compatible with Multicode™ products

## Dimensions

---



## Listings and Approvals

---



American National Standards Institute (ANSI)



Building Hardware Manufacturers Association (BHMA) - ANSI/BHMA A156.10 & A156.19

FCC

US Patent 7,545,833

## Warranty

---

1 Year Limited Manufacturers Warranty

*Where Trust is Built™*  
**DETEX®**  
*Life Safety and Security Door Hardware*

Detex Corporation  
302 Detex Drive  
New Braunfels, TX 78130  
PH (830) 629-2900  
(800) 729-3839  
FX (830) 620-6711  
(800) 653-3839  
<http://www.detex.com>  
USA Sales:  
[marketing@detex.com](mailto:marketing@detex.com)  
International Sales:  
[export@detex.com](mailto:export@detex.com)

# AO19 SERIES®

## AO19 Activation Accessories

### Transmitters

The 104753 Transmitter provides the most reliable wireless activation of automatic doors available.



104753 - 4" Box/Transmitter



104753-R4 - 4" Round Box/Transmitter  
104753-R6 - 6" Round Box/Transmitter



104753-J Jamb Mount Box/Transmitter

### Benefits

- The 104753 transmitter comes prewired and installed with battery in a surface mount box, making installation quick and easy.
- The 104753 can also be used interchangeably with other Manufacturer's products that operate on its frequencies as well.
- The 104753 can transmit three different frequencies.

### Features

- Utilizes Proprietary High Definition Radio Control™ (HDFRC™) for unsurpassed signal transmission clarity.
- Three User selectable frequencies available in single unit: HDFRC™, 300 MHz, and 390 MHz.
- FCC License for all three frequencies.
- SignalLock™ guarantees signal transmission when push plate switch is pressed.
- Power saving circuitry extends battery life.
- Radiating antenna boosts signal strength.
- Transmitter and battery factory prewired and installed in mounting boxes.
- Powered by standard 9V battery.
- Quick battery access.

### Electrical Options

- 104737-1 Handheld Transmitter - 1 button
- 104737-2 Handheld Transmitter - 2 buttons
- 104753-P Post Transmitter
- 104753-Vestibule Dual Transmitter
- 104753-STX 4" Square Sequencing Transmitter
- 104753-STX-P Sequencing Post Transmitter
- 104753-STX-R4 Round 4" Box/ Sequencing Transmitter
- 104753-STX-R6 Round 6" Box/ Sequencing Transmitter

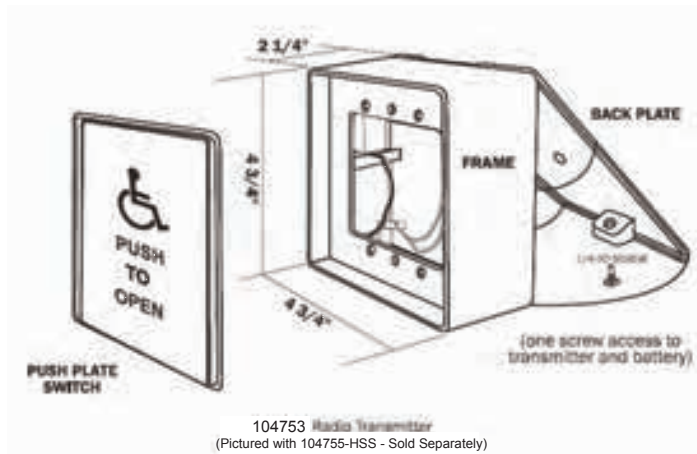
## Accessories

- 104752 Multi-Mode Dual Receiver
- 104739 Jamb Mount Push Plate (used with 104753-J Box/Transmitter)
- 104752-RXM Multi-Mode Receiver with RXM
- 104742 4 1/2" Round Push Plate (used with 104753-R4, 104753-STX-R4)
- 104743 6" Round Push Plate (used with 104753-R6, 104753-STX-R6)
- 104744 Vestibule Double Push Plate (used with 104753-V Box/Transmitter)
- 104755 4 1/2" Square Push Plate (used with 104753, 104753-STX)

## Technical Information

- Power Requirements: 9V Battery
- Temperature Range -4°F to 140°F (-20°C to 60°C)
- 300 MHz: Compatible with Multicode™ products
- 390 MHz: Compatible with MS SEDCO and GENIE™ products
- Physical Size: 2 1/4"W x 2 1/4"D x 2"H
- Weight: 1.46 lbs. (663g)

## Dimensions



## Warranty

1 Year Mechanical Limited Manufacturer's Warranty

## Listings and Approvals

FCC

US patent 7,545,833



Building Hardware Manufacturers Association (BHMA) - ANSI/BHMA A156.10 & A156.19

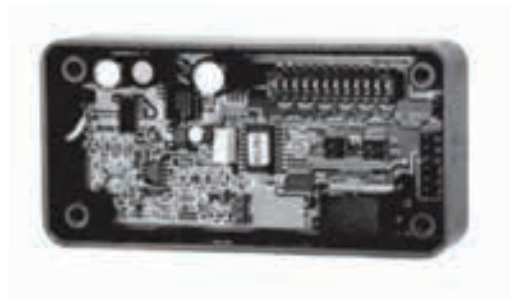
*Where Trust is Built™*  
**DETEX®**  
*Life Safety and Security Door Hardware*

Detex Corporation  
302 Detex Drive  
New Braunfels, TX 78130  
PH (830) 629-2900  
(800) 729-3839  
FX (830) 620-6711  
(800) 653-3839  
<http://www.detex.com>  
USA Sales:  
[marketing@detex.com](mailto:marketing@detex.com)  
International Sales:  
[export@detex.com](mailto:export@detex.com)

# AO19 SERIES®

## AO19 Activation Accessories Multi-Mode Wireless Receiver

The 104752 Wireless Receiver provides the most reliable wireless activation of automatic doors available.



### Benefits

- Utilizes Proprietary High Definition Radio Control™ (HDRC™) for unsurpassed signal transmission clarity.

### Features

- The 104752 can also be used interchangeably with other manufacturer's products that operate on its frequencies.
- The 104752 accepts three different frequencies: HDRC, 300MHz, 390MHz.
- 104752 can be easily programmed to become a timer, dual receiver or a sequencing receiver.

### Electrical Options

- Mode 1: Standard Receiver (factory setting)
- Mode 2: Receiver with Adjustable Time Delay
- Mode 3\*: Dual Channel Receiver
- Mode 4\*: Receiver With Sequenced Outputs
- Mode 5\*\*: Receiver with Ratchet Relay

\*Modes 3 & 4 require the RXM Add-On Module. This Module plugs directly onto the CP/RX main circuit board and provides a second output.

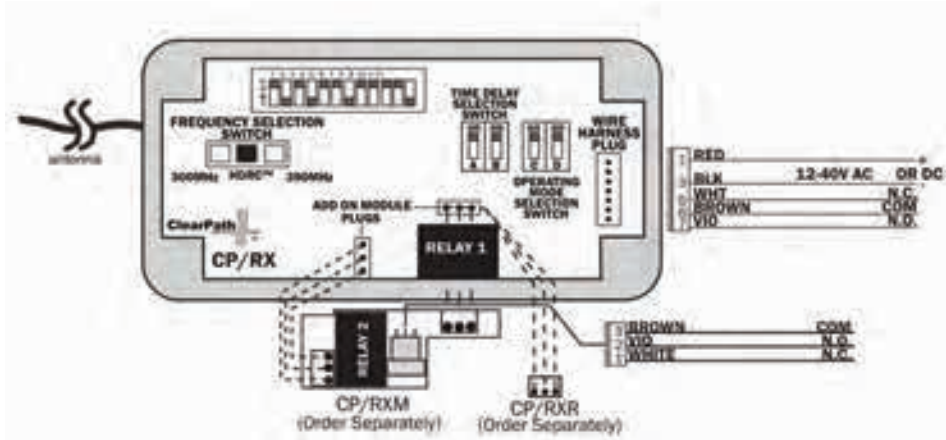
\*\*Mode 5 requires the RXR Add-On Module. The Module plugs directly onto the CP/RX main circuit board and allows for initial signal to hold relay closed until a second signal is received.



## Technical Information

- Power Requirements: 12V to 24V AC or DC
- Temperature Range: -22°F to 158°F (-30°C to 70°C)
- 390 MHz: Compatible with MS SEDCO and GENIE™ products
- Relay Contact Rating: 3 amp @ 24V AC
- Weight: <0.25 lbs.
- Physical size: 4"L x 2"W x 1"H
- 300 MHz: Compatible with Multicode™ products

## Dimensions



## Listings and Approvals



American National Standards Institute (ANSI)



Building Hardware Manufacturers Association (BHMA) - ANSI/BHMA A156.10 & A156.19

FCC

US patent 7,545,833

## Warranty

1 Year Limited Manufacturers Warranty



Detex Corporation  
 302 Detex Drive  
 New Braunfels, TX 78130  
 PH (830) 629-2900  
 (800) 729-3839  
 FX (830) 620-6711  
 (800) 653-3839  
<http://www.detex.com>  
 USA Sales:  
[marketing@detex.com](mailto:marketing@detex.com)  
 International Sales:  
[export@detex.com](mailto:export@detex.com)

# AO19 SERIES®

## AO19 Safety Presence Sensor FRM-AI Presence Sensor

---

The 104790 sensor is a 4-row presence sensor designed to provide safety protection for all types of automatic doors. The 104790 is based upon the most reliable active infrared (AI) technology available - Floor Reflection Method (FRM).



### Benefits

---

- One sensor covers any safety zone application.
- There is no lens or zone masking required.
- All adjustments are available without the use of proprietary set-up devices.
- SafePath Maximum Pattern Infrared (MPI™) sensors use more beams than other manufacturers and provide a level of safety not found in other standalone infrared sensors.
- The pattern width and depth are both mechanically adjustable. In addition the depth can be altered electronically from 5 to 2 rows.

### Features

---

- Up to 32 detection zones.
- Electronic depth adjustment from 1 to 4 rows (also 0° to 10° tilt settings)
- Four Presence Timer and frequency settings
- Mount up to 10' (3m) high.
- Mechanical width settings (from 36" to over 7')
- Quick-connect wiring (harness included)
- Sensitivity Adjustment Variable (via potentiometer)

### Accessories

---

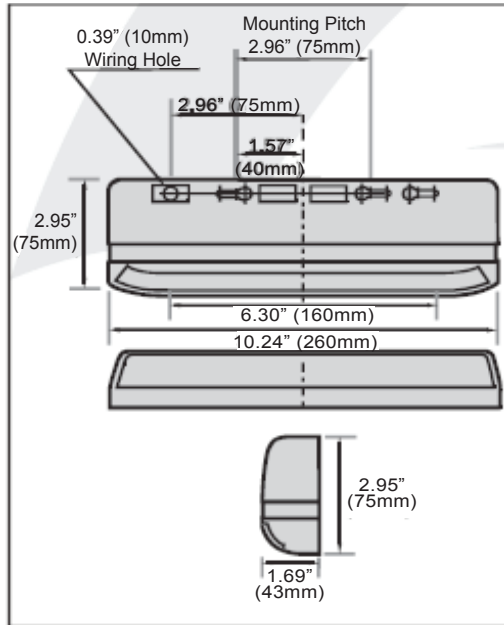
- Cable: 10 ft. (3m)
- Rain cover available (contact factory)

## Technical Information

- Temperature Range: -4°F to 140°F (-20°C to 60°C)
- 12V to 24V AC or DC operation
- Form C Dry Relay Contact (N.O., COM, N.C.)
- Weight: approx. 0.8 lbs. (0.35 kg)

0.39" (10mm)  
Wiring Hole

## Dimensions



## Listings and Approvals



American National  
Standards Institute (ANSI)



Building Hardware Manufacturers  
Association (BHMA) - ANSI/BHMA  
A156.10

Enclosure Rating IP54 (IEC60529)

CE

## Warranty

1 Year Mechanical Limited Manufacturers Warranty

*Where Trust is Built™*  
**DETEX®**  
*Life Safety and Security Door Hardware*

Detex Corporation  
302 Detex Drive  
New Braunfels, TX 78130  
PH (830) 629-2900  
(800) 729-3839  
FX (830) 620-6711  
(800) 653-3839  
<http://www.detex.com>  
USA Sales:  
[marketing@detex.com](mailto:marketing@detex.com)  
International Sales:  
[export@detex.com](mailto:export@detex.com)

# AO19 SERIES®

## AO19 Safety Presence Sensor Swing Door Mounted Presence Sensor

The Detex 105395 is a door-mounted presence sensor designed to provide safety protection for any swing, bi-fold, revolving and low-energy automatic doors.



### Benefits

- The presence sensor mounts on either side or both sides of a door panel, depending upon the application.
- On swing doors, while the door is opening, the presence sensor will sense and protect a person in its path and either slow or stop the door.
- When the door is closing, the presence sensor will sense a person in its path and reopen the door.
- The presence sensor combines the most reliable active infrared technology available with Position Sensitive Detection (PSD) technology found in auto-focus cameras to ensure the precise pedestrian detection within the path of a moving door panel.
- The detection area width can be increased by inserting additional PSD sensor modules into the 34 1/2" long extruded aluminum housing.
- The presence sensor mounts near the top of the door panel out of harm's way. PSD sensor technology automatically focuses the sensor lenses to dipswitch-controlled height settings.
- Each sensor module's detection zone can be adjusted independently.

### Features

- Detection Method: Active Infrared with Position Sensitive Detection (PSD)
- Max. Installation Height: 8'6" (2.6m)
- Detection Range: 0'-7'10" (0-2.4m)
- Range Adjustment: 4'7" (1.4m), 5'3" (1.6m), 5'11" (1.8m), 6'7" (2.0m), 7'3" (2.2m), 7'10" (2.4m)
- Beam Angle Adjustment: 5°, 10°, 15°, 20°, 25°
- Power Supply: 12-24 VAC or VDC ± 10%
- Presence Timer: Infinity

### Accessories

- The 105395-1 contains a single PSD sensor module and is ideal for low-energy doors.
- The 105395-2 contains two PSD sensor modules, doubling detection capability and providing safety for full energy doors.
- The 105395-3 contains three PSD sensor modules for the highest level of safety.

## Technical Information

- Power Consumption (per sensor module): AC12V-1.1VA, DC12V-60mA, AC24V-1.6VA, DC24V-35mA
- Weight: 1.8 lbs. (0.8kg)
- Output contact: Form C Relay; DC50V 0.1A Non Voltage 1C
- Temperature Range: -4°F to 140°F (-20°C to 60°C)
- Response time: <50ms
- Delay Hold Time: 0.5, 1, 2, 4.5 sec

## Riser Diagram -



## Listings and Approvals



American National Standards Institute (ANSI)

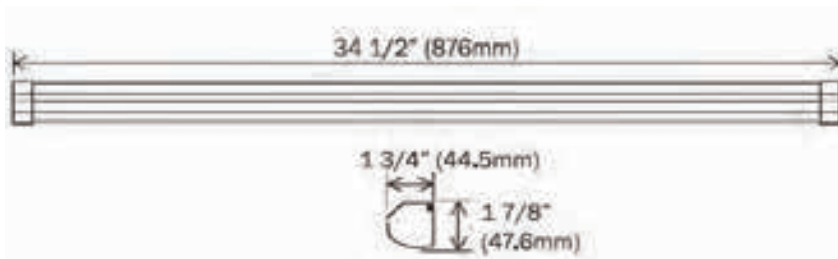


Building Hardware Manufacturers Association (BHMA) - ANSI/BHMA A156.10, A156.19, A156.27

## Warranty

1 Year Mechanical Limited Manufacturers Warranty

## Dimensions



*Where Trust is Built™*  
**DETEX®**  
*Life Safety and Security Door Hardware*

Detex Corporation  
302 Detex Drive  
New Braunfels, TX 78130  
PH (830) 629-2900  
(800) 729-3839  
FX (830) 620-6711  
(800) 653-3839  
<http://www.detex.com>  
USA Sales:  
[marketing@detex.com](mailto:marketing@detex.com)  
International Sales:  
[export@detex.com](mailto:export@detex.com)

# *Life Safety and Security Door Hardware*



# EXIT CONTROL LOCKS

## ECL-230D, ECL-230D-PH

### Exit Control Hardware

The ECL-230 is a **code compliant, battery alarmed, rugged dead bolt**, panic device with **steel plate and photo-luminescent sign** providing managed security and a **100 decibel alarm** for **secondary exits**.



### Benefits

- Attack resistant design withstands over 2200 lbs. of outside pull force
- Proven durability and reliability at a reasonable price
- Reduces employee and customer theft
- Easy to install
- Time tested construction resists attack from the inside
- Easy to see if the lights go out
- Straightforward operation that everyone understands

### Features

- Single point, 1" throw dead bolt
- Saw resistant dead bolt
- Corrosion resistant alloy lock body
- 100 decibel alarm, powered by 9-volt battery (included)
- Accepts 5-pin through 7-pin standard and interchangeable core rim cylinders
- Durable steel plate with photo luminescent sign absorbs light to then "glow in the dark" when lights are dimmed
- Non-handed
- Locking and unlocking the dead bolt always arms and disarms the alarm
- Resetting the alarm can only be accomplished with a control key

### Mechanical Options

- Gray Finish (Std.)
- Black Finish (BK)
- English Push Plate Sign (Std.)
- Other Languages available (call factory for details)
- For Panic Hardware on 36" doors see ECL-230D-PH
- Fire-Rated Option see ECL-600
- ECL-437K - Surface Strike (Std.)

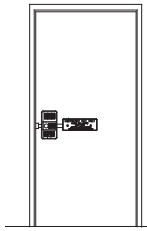
## Accessories

- ECL-436K for ECL-230D, ECL-2100K for ECL-230D-PH - Bar Guard Kit - to protect end of bar, when required by code
- RC65 - Rim Cylinder, Schlage "C" Keyway with 2 keys
- ECL-1595 - Cylinder Collar required for 6 or 7 pin cylinders
- VRA-143 - Vertical Rod Assembly provides 2 point locking (see VRA-143 product sheet)
- BE-961 - Hard wired Conversion Kit, eliminates battery
- ECL-435K - Adjustable Surface Keeper Bracket for some double door applications
- ECL-475 - Decorative back plate for use on narrow stile doors

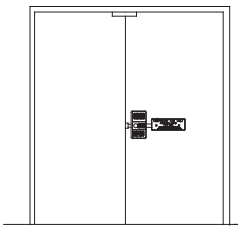
## Technical Information

- Door Types - Wood, Hollow Metal or Aluminum
- Door Thickness - Fits standard 1-3/4" - 2-1/4"
- Minimum standard door width for ECL-230D is 20"
- Minimum standard door width for ECL-230D-PH is 34"
- Double Door requirements:
  - (1) ECL-230
  - (1) RC65
  - (1) ECL-435K } or (1) VRA-143
  - (1) DDH-2250 }
  - or
  - (2) ECL-230D
  - (2) RC65
  - (1) 90KR
- Door Stile - Fits minimum 5-3/4" with ECL-437K Strike (Std.)
- Door Stile - Fits minimum 1-7/8" with ECL-475 Kit
- Machine and Sheet Metal Screws (Std.)
- Optional Sex Nuts or Security Torx Screws Available

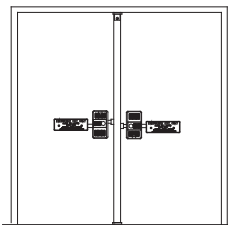
## Riser Diagram



Single Door

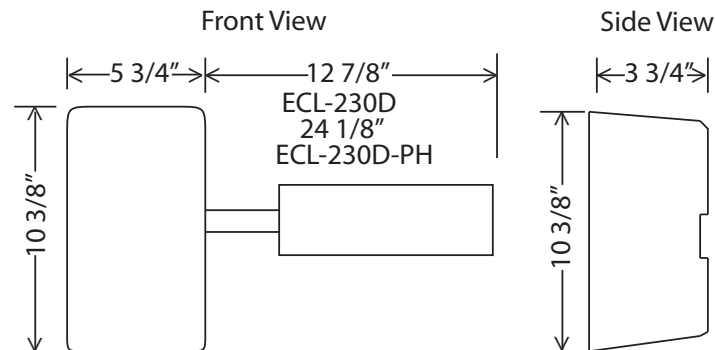


Double Doors with DDH-2250 Double Door Holder Adjustable Keeper (ECL-435K)



Double Doors with Key Removable Mullion Vertical Rod Assemblies also available (Part #VRA-143)

## Dimensions



## Listings and Approvals



UL Listed  
Panic Hardware  
988N-Grade 3



Meets ADA requirements



Meets NFPA 101 for Life Safety, CA Title 19 & { Only ECL-230D-PH



ANSI/BHMA requirements for all Building Codes



California State Fire Marshall - 4140-0127:102

## Detex Limited Warranty

10 Year Limited Manufacturers Warranty

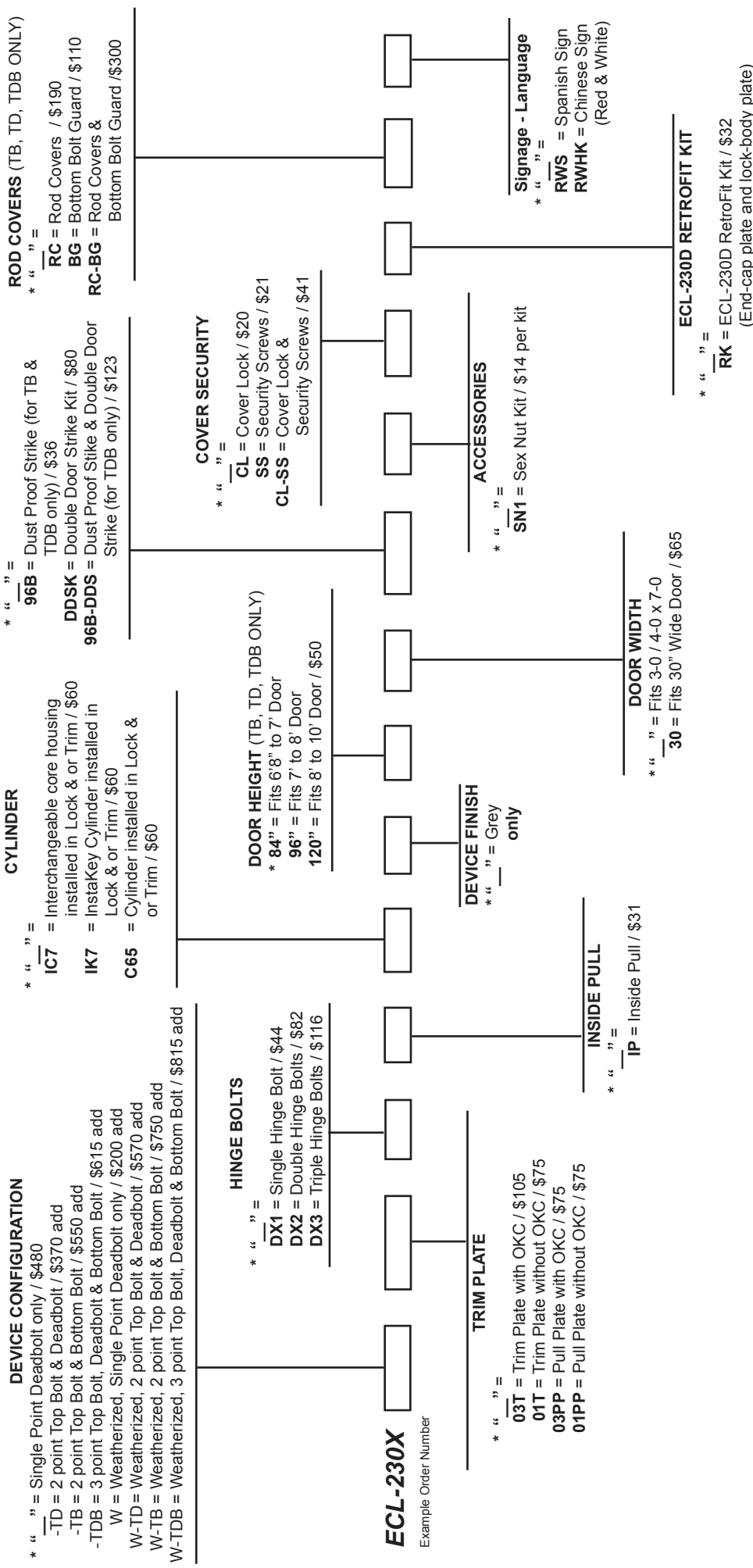
*Where Trust is Built™*  
**DETEX®**  
*Life Safety and Security Door Hardware*

Detex Corporation  
302 Detex Drive  
New Braunfels, Texas 78130-3045 USA  
PH. (830) 629-2900  
(800) 729-3839  
FAX (830) 620-6711  
(800) 653-3839  
<http://www.detex.com>  
USA Sales:  
[marketing@detex.com](mailto:marketing@detex.com)  
International Sales:  
[export@detex.com](mailto:export@detex.com)



# ECL-230X HOW TO ORDER

## (Includes Summary Descriptions)



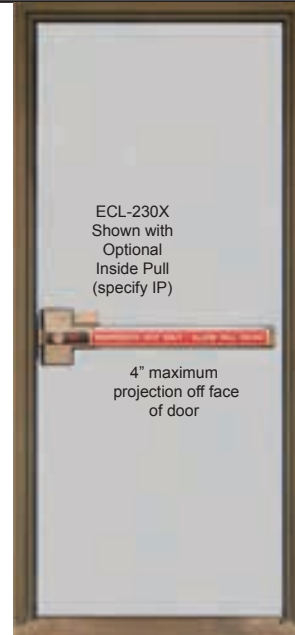
**NOTE:** \* = default  
Contact factory for availability  
of combined options

# EXIT CONTROL LOCKS

## ECL-230X (Dead Bolt)

### Exit Control Hardware

The ECL-230X is a **code compliant, battery alarmed, rugged dead bolt, panic device with photo-luminescent sign** providing maximum security and a **100 decibel alarm for secondary exits.**



### Benefits

- Attack resistant design for maximum holding force
- Proven durability and reliability at a reasonable price
- Easy to install
- Reduces employee and customer theft
- Time tested construction resists attack from the inside
- One size fits 36"-48" doors for code compliant acceptance
- For additional security with 4 locking points, specify ECL-230X-DX3
- Easy to see if the lights go out
- Straightforward operation that everyone understands

### Features

- Dead bolt lock -1" throw with just over 3/4" engagement with the frame
- Saw resistant dead bolt
- Corrosion resistant alloy lock body
- 100 decibel alarm, powered by 9-volt battery (included)
- Surface/flush reversible strike
- Accepts 5-pin through 7-pin standard and interchangeable core rim cylinders without using cylinder collar
- Durable photo-luminescent sign absorbs light to then "glow in the dark" when lights are dimmed
- Locking and unlocking (dead bolt) always arms and disarms the alarm
- Non-handed
- Low profile meets International Building Code requirement allowing for 4" maximum projection off face of door
- Resetting the alarm can only be accomplished with a control key
- For 9VDC hardwiring add BE-961-1 or BE-961-2

### Mechanical Options

- Gray Finish (Std.)  
Note: Contact factory for additional finishes
- English Push Plate Sign (Std.)
- 30 - Fits 30" wide door
- DX1 - Add hinge side protection with one hinge bolt for 2 locking points (3/4" frame engagement)
- DX2 - Add hinge side protection with two hinge side bolts for 3 locking points (3/4" frame engagement)
- DX3 - For maximum hinge side protection add three hinge side bolts for 4 locking points (3/4" frame engagement)
- RWS - Spanish Sign
- Other Languages available (call factory for details)

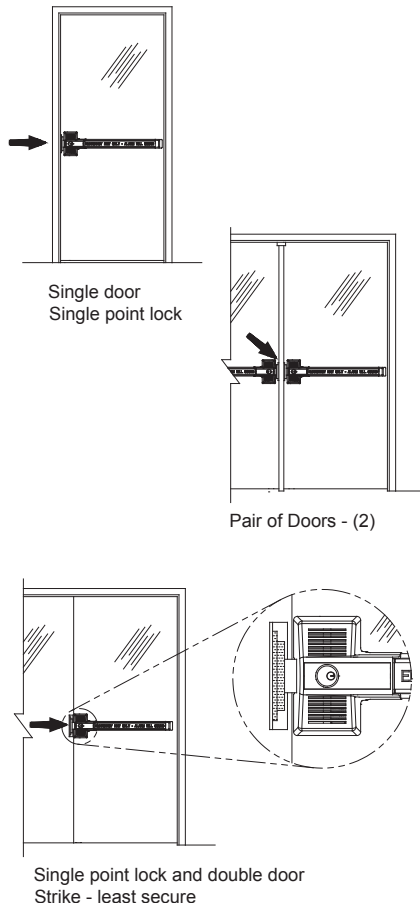
## Mechanical Options Continued

- 03T - Trim Plate
- 03PP - Pull Plate
- Rim cylinder required for 03 Trims (sold separately)
- 01T - Trim Plate
- 01PP - Pull Plate
- IC7R - Interchangeable core housing installed in Lock & or Trim
- IK7R - InstaKey Cylinder installed in Lock & or Trim
- RC65 - Rim Cylinder, Schlage "C" Keyway with 2 keys installed in Lock & or Trim
- IP - Inside Pull
- DDSK - Double Door Strike Kit
- SN1 - Sex Nut Kit
- CL - Cover Lock (Standard on TB configuration)
- SS - Security Screws
- CL-SS - Cover Lock & Security Screws
- RK - ECL-230D RetroFit Kit (End-cap plate & lock-body plate)
- BE-961 - Hardwired Conversion Kit, eliminates battery (Sold Separately)

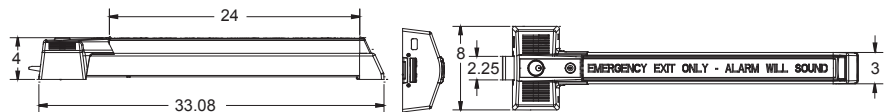
## Technical Information

- Door Types - Wood, Hollow Metal
- Door Thickness - Fits standard 1-3/4" - 2-1/4"
- Standard Device fits 36"-48" door
- Optional Device fits 30"-36" door
- Double Door requirements:
  - (1) ECL-230X
  - (1) RC65
  - (1) DDSK
  - (1) DDH-2250
  - or
  - (2) ECL-230X
  - (2) RC65
  - (1) 90KR
- Machine and Sheet Metal Screws (Std.)
- Optional Sex Nuts or Security Torx Screws Available

## Riser Diagram



## Dimensions



## Listings and Approvals



UL Listed  
Panic Hardware  
988N-Grade 2



Meets ADA requirements



Meets NFPA 101  
for Life Safety,  
CA Title 19



ANSI/BHMA  
requirements for all  
Building Codes



California State Fire Marshal -  
4140-0127:102

Meets International Building Code

## Detex Limited Warranty

10 Year Limited Manufacturers  
Warranty

*Where Trust is Built™*  
**DETEX®**  
*Life Safety and Security Door Hardware*

Detex Corporation  
302 Detex Drive  
New Braunfels, Texas 78130-3045 USA  
PH. (830) 629-2900  
(800) 729-3839  
FAX (830) 620-6711  
(800) 653-3839  
<http://www.detex.com>  
USA Sales:  
[marketing@detex.com](mailto:marketing@detex.com)  
International Sales:  
[export@detex.com](mailto:export@detex.com)

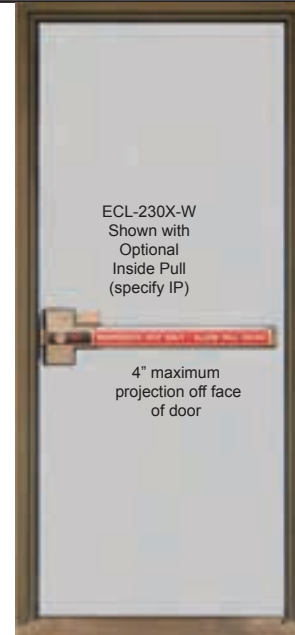
# EXIT CONTROL LOCKS

## ECL-230X-W (Weatherized Dead Bolt)

### Exit Control Hardware

The ECL-230X-W is a **code compliant, battery alarmed, rugged dead bolt**, panic device with **photo-luminescent sign** providing maximum security and a **100 decibel alarm** for **secondary exits**.

This device conforms to UL1034-34 Temperature Section 34, UL1034-54 Dust Section 54, MIL-STD 810F, Method 506.4 (driving rain test); MIL-STD 810F and Method 509.4 (salt fog test).



### Benefits

- Attack resistant design for maximum holding force
- Weather resistant design for use in outdoor or wet environments
- Proven durability and reliability at a reasonable price
- Easy to install
- Reduces employee and customer theft
- Time tested construction resists attack from the inside
- One size fits 36"-48" doors for code compliant acceptance
- For additional security with 4 locking points, specify ECL-230X-W-DX3
- Easy to see if the lights go out
- Straightforward operation that everyone understands

### Features

- Dead bolt lock -1" throw with just over 3/4" engagement with the frame
- Saw resistant dead bolt
- Corrosion resistant alloy lock body
- 100 decibel alarm, powered by 9-volt battery (included)
- Surface/flush reversible strike
- Accepts 5-pin through 7-pin standard and interchangeable core rim cylinders without using cylinder collar
- Durable photo-luminescent sign absorbs light to then "glow in the dark" when lights are dimmed
- Locking and unlocking (dead bolt) always arms and disarms the alarm
- Non-handed
- Low profile meets International Building Code requirement allowing for 4" maximum projection off face of door
- Resetting the alarm can only be accomplished with a control key
- For 9VDC hardwiring add BE-961-1 or BE-961-2

### Mechanical Options

- Gray Finish (Std.)  
Note: Contact factory for additional finishes
- English Push Plate Sign (Std.)
- 30 - Fits 30" wide door
- DX1 - Add hinge side protection with one hinge bolt for 2 locking points (3/4" frame engagement)
- DX2 - Add hinge side protection with two hinge side bolts for 3 locking points (3/4" frame engagement)
- DX3 - For maximum hinge side protection add three hinge side bolts for 4 locking points (3/4" frame engagement)
- RWS - Spanish Sign
- Other Languages available (call factory for details)

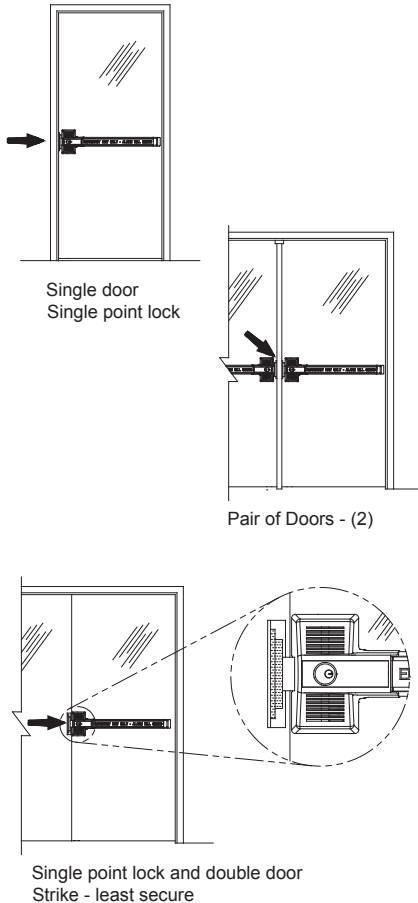
## Mechanical Options Continued

- 03T - Trim Plate
- 03PP - Pull Plate
- Rim cylinder required for 03 Trims (sold separately)
- 01T - Trim Plate
- 01PP - Pull Plate
- IC7R - Interchangeable core housing installed in Lock & or Trim
- IK7R - InstaKey Cylinder installed in Lock & or Trim
- RC65 - Rim Cylinder, Schlage "C" Keyway with 2 keys installed in Lock & or Trim
- IP - Inside Pull
- DDSK - Double Door Strike Kit
- SN1 - Sex Nut Kit
- CL - Cover Lock (Standard on TB configuration)
- SS - Security Screws
- CL-SS - Cover Lock & Security Screws
- RK - ECL-230D RetroFit Kit (End-cap plate & lock-body plate)
- BE-961 - Hardwired Conversion Kit, eliminates battery (Sold Separately)  
NOTE: BE-961 is not weatherized, protect with NEMA enclosure.

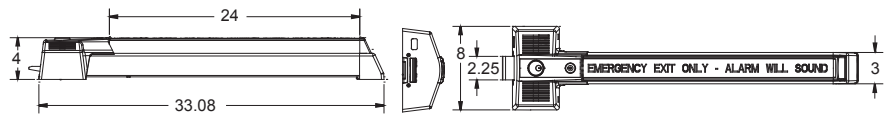
## Technical Information

- Door Types - Wood, Hollow Metal
- Door Thickness - Fits standard 1-3/4" - 2-1/4"
- Standard Device fits 36"-48" door
- Optional Device fits 30"-36" door
- Double Door requirements:
  - (1) ECL-230X-W
  - (1) RC65
  - (1) DDSK
  - (1) DDH-2250
  - or
  - (2) ECL-230X-W
  - (2) RC65
  - (1) 90KR
- Machine and Sheet Metal Screws (Std.)
- Optional Sex Nuts or Security Torx Screws Available

## Riser Diagram



## Dimensions



## Listings and Approvals



UL Listed  
Panic Hardware  
988N-Grade 2

UL1034-34 Temperature Section 34  
[Temperature Range -31° F (-35° C) to  
150° F (+66° C)]

UL 1034-54 Dust Section 54



Meets ADA requirements



Meets NFPA 101  
for Life Safety,  
CA Title 19



ANSI/BHMA  
requirements for all  
Building Codes



California State Fire Marshall -  
4140-0127:102

Meets International Building Code

## Detex Limited Warranty

10 Year Limited Manufacturers  
Warranty

*Where Trust is Built™*  
**DETEX®**  
*Life Safety and Security Door Hardware*

Detex Corporation  
302 Detex Drive  
New Braunfels, Texas 78130-3045 USA  
PH. (830) 629-2900  
(800) 729-3839  
FAX (830) 620-6711  
(800) 653-3839  
<http://www.detex.com>  
USA Sales:  
[marketing@detex.com](mailto:marketing@detex.com)  
International Sales:  
[export@detex.com](mailto:export@detex.com)

# EXIT CONTROL LOCKS

## ECL-230X-TB (Top and Bottom Bolt)

### Exit Control Hardware (Double Door Application)

The ECL-230X-TB is a **code compliant, battery alarmed, rugged 2-point dead bolt**, panic device with **photo-luminescent sign** providing maximum security and a **100 decibel alarm for secondary exits**.



#### Benefits

- Attack resistant design for maximum holding force
- Proven durability and reliability at a reasonable price
- Easy to install
- Reduces employee and customer theft
- Time tested construction resists attack from the inside
- One size fits 36"-48" doors for code compliant acceptance
- For additional security with 5 locking points, specify ECL-230X-TB-DX3
- Easy to see if the lights go out
- Straightforward operation that everyone understands

#### Features

- 2-point, 3/4" throw top and bottom locks with just over 5/8" engagement with the strike
- Saw resistant dead bolts
- Corrosion resistant alloy lock body
- 100 decibel alarm, powered by 9-volt battery (included)
- Surface/flush reversible strike
- Accepts 5-pin through 7-pin standard and interchangeable core rim cylinders without using cylinder collar
- Durable photo-luminescent sign absorbs light to then "glow in the dark" when lights are dimmed
- Locking and unlocking (dead bolt) always arms and disarms the alarm
- Non-handed
- Low profile meets International Building Code requirement allowing for 4" maximum projection off face of door
- Resetting the alarm can only be accomplished with a control key
- For 9VDC hardwiring add BE-961-1 or BE-961-2

#### Mechanical Options

- Gray Finish (Std.)  
Note: Contact factory for additional finishes
- English Push Plate Sign (Std.)
- 84" - Fits 6'8" to 7' door
- 96" - Fits 7' to 8' door
- 120" - Fits 8' to 10' door
- 30 - Fits 30" wide door
- DX1 - Add hinge side protection with one hinge bolt for 3 locking points (3/4" frame engagement)
- DX2 - Add hinge side protection with two hinge side bolts for 4 locking points (3/4" frame engagement)
- DX3 - For maximum hinge side protection add three hinge side bolts for 5 locking points (3/4" frame engagement)
- RWS - Spanish Sign
- Other Languages available (call factory for details)

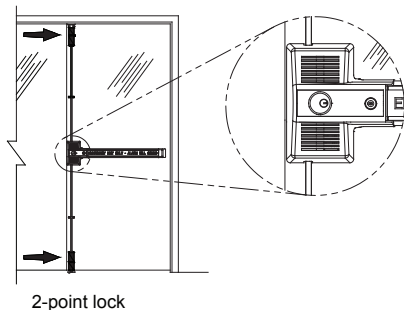
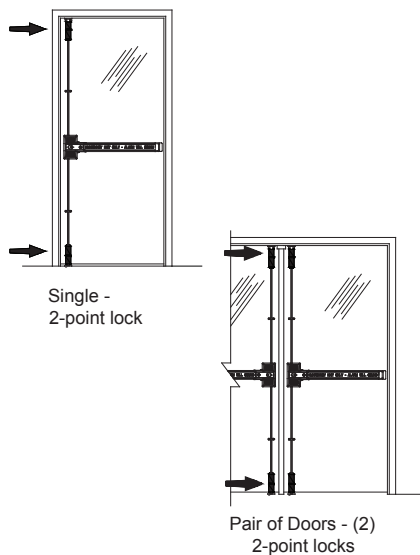
## Mechanical Options Continued

- 03T - Trim Plate
- 03PP - Pull Plate
- Rim cylinder required for 03 Trims (sold separately)
- 01T - Trim Plate
- 01PP - Pull Plate
- IC7R - Interchangeable core housing installed in Lock & or Trim
- IK7R - InstaKey Cylinder installed in Lock & or Trim
- RC65 - Rim Cylinder, Schlage "C" Keyway with 2 keys installed in Lock & or Trim
- IP - Inside Pull
- 96B - Dust Proof Strike
- DDSK - Double Door Strike Kit
- 96B-DDS - Dust Proof Strike & Double Door Strike
- SN1 - Sex Nut Kit
- CL - Cover Lock (Standard on TB configuration)
- SS - Security Screws
- CL-SS - Cover Lock & Security Screws
- RK - ECL-230D RetroFit Kit (End-cap plate & lock-body plate)
- RC - Rod Covers
- BG - Bottom Bolt Guard
- RC-BG - Rod Covers & Bottom Bolt Guard
- BE-961 - Hardwired Conversion Kit, eliminates battery (Sold Separately)

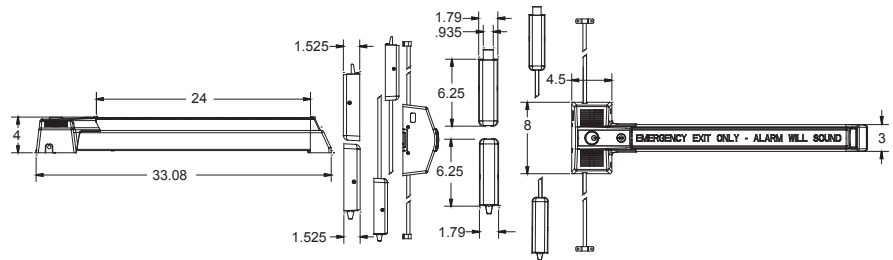
## Technical Information

- Door Types - Wood, Hollow Metal
- Door Thickness - Fits standard 1-3/4" - 2-1/4"
- Standard Device fits 36"-48" door
- Optional Device fits 30"-36" door
- Double Door requirements:
  - (1) ECL-230X-TB
  - (1) RC65
  - (1) DDSK
  - (1) DDH-2250
  - or
  - (2) ECL-230X-TB
  - (2) RC65
  - (1) 90KR
- Machine and Sheet Metal Screws (Std.)
- Optional Sex Nuts or Security Torx Screws Available

## Riser Diagram



## Dimensions



## Listings and Approvals



UL Listed  
Panic Hardware  
988N-Grade 2



Meets ADA requirements



Meets NFPA 101  
for Life Safety,  
CA Title 19



ANSI/BHMA  
requirements for all  
Building Codes



California State Fire Marshal -  
4140-0127:102

Meets International Building Code

## Detex Limited Warranty

10 Year Limited Manufacturers  
Warranty

*Where Trust is Built™*  
**DETEX®**  
*Life Safety and Security Door Hardware*

Detex Corporation  
302 Detex Drive  
New Braunfels, Texas 78130-3045 USA  
PH. (830) 629-2900  
(800) 729-3839  
FAX (830) 620-6711  
(800) 653-3839  
<http://www.detex.com>  
USA Sales:  
[marketing@detex.com](mailto:marketing@detex.com)  
International Sales:  
[export@detex.com](mailto:export@detex.com)

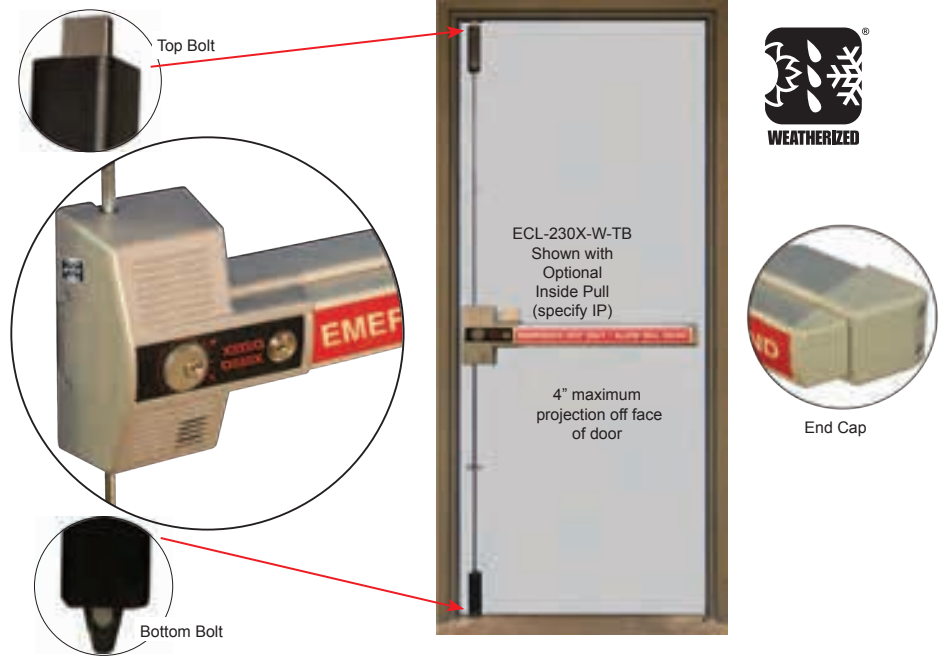
# EXIT CONTROL LOCKS

## ECL-230X-W-TB (Weatherized Top and Bottom Bolt)

### Exit Control Hardware (Double Door Application)

The ECL-230X-W-TB is a **code compliant, battery alarmed, rugged 2-point dead bolt**, panic device with **photo-luminescent sign** providing maximum security and a **100 decibel alarm for secondary exits**.

This device conforms to UL1034-34 Temperature Section 34, UL1034-54 Dust Section 54, MIL-STD 810F, Method 506.4 (driving rain test); MIL-STD 810F and Method 509.4 (salt fog test).



### Benefits

- Attack resistant design for maximum holding force
- Weather resistant design for use in outdoor or wet environments
- Proven durability and reliability at a reasonable price
- Easy to install
- Reduces employee and customer theft
- Time tested construction resists attack from the inside
- One size fits 36"-48" doors for code compliant acceptance
- For additional security with 5 locking points, specify ECL-230X-W-TB-DX3
- Easy to see if the lights go out
- Straightforward operation that everyone understands

### Features

- 2-point, 3/4" throw top and bottom locks with just over 5/8" engagement with the strike
- Saw resistant dead bolts
- Corrosion resistant alloy lock body
- 100 decibel alarm, powered by 9-volt battery (included)
- Surface/flush reversible strike
- Accepts 5-pin through 7-pin standard and interchangeable core rim cylinders without using cylinder collar
- Durable photo-luminescent sign absorbs light to then "glow in the dark" when lights are dimmed
- Locking and unlocking (dead bolt) always arms and disarms the alarm
- Non-handed
- Low profile meets International Building Code requirement allowing for 4" maximum projection off face of door
- Resetting the alarm can only be accomplished with a control key
- For 9VDC hardwiring add BE-961-1 or BE-961-2

### Mechanical Options

- Gray Finish (Std.)  
Note: Contact factory for additional finishes
- English Push Plate Sign (Std.)
- 84" - Fits 6'8" to 7' door
- 96" - Fits 7' to 8' door
- 120" - Fits 8' to 10' door
- 30 - Fits 30" wide door
- DX1 - Add hinge side protection with one hinge bolt for 3 locking points (3/4" frame engagement)
- DX2 - Add hinge side protection with two hinge side bolts for 4 locking points (3/4" frame engagement)
- DX3 - For maximum hinge side protection add three hinge side bolts for 5 locking points (3/4" frame engagement)
- RWS - Spanish Sign
- Other Languages available (call factory for details)





## Mechanical Options Continued

- 03T - Trim Plate
- 03PP - Pull Plate

Rim cylinder required for 03 Trims (sold separately)

- 01T - Trim Plate
- 01PP - Pull Plate
- IC7R - Interchangeable core housing installed in Lock & or Trim
- IK7R - InstaKey Cylinder installed in Lock & or Trim

- RC65 - Rim Cylinder, Schlage "C" Keyway with 2 keys installed in Lock & or Trim

- IP - Inside Pull
- 96B - Dust Proof Strike
- DDSK - Double Door Strike Kit
- 96B-DDS - Dust Proof Strike & Double Door Strike
- SN1 - Sex Nut Kit
- CL - Cover Lock (Standard on TB configuration)

- SS - Security Screws
- CL-SS - Cover Lock & Security Screws
- RK - ECL-230D RetroFit Kit (End-cap plate & lock-body plate)
- RC - Rod Covers
- BG - Bottom Bolt Guard
- RC-BG - Rod Covers & Bottom Bolt Guard
- BE-961 - Hardwired Conversion Kit, eliminates battery (Sold Separately)  
NOTE: BE-961 is not weatherized, protect with NEMA enclosure.

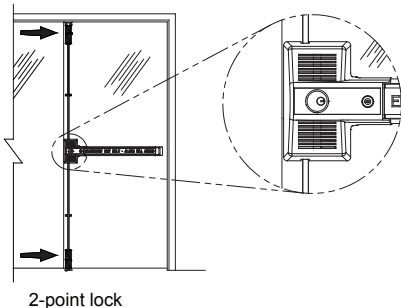
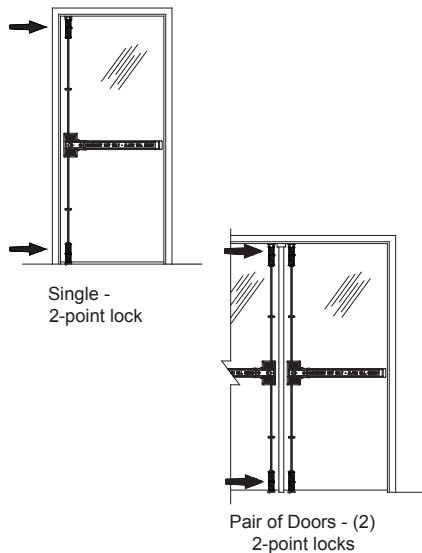
## Technical Information

- Door Types - Wood, Hollow Metal
- Door Thickness - Fits standard 1-3/4" - 2-1/4"
- Standard Device fits 36"-48" door
- Optional Device fits 30"-36" door

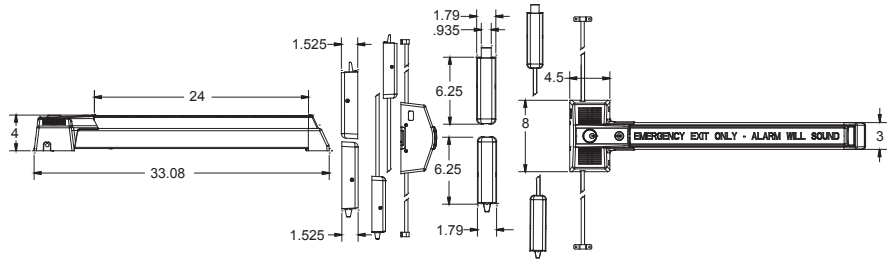
- Double Door requirements:  
(1) ECL-230X-W-TB  
(1) RC65  
(1) DDSK  
(1) DDH-2250  
or  
(2) ECL-230X-W-TB  
(2) RC65  
(1) 90KR

- Machine and Sheet Metal Screws (Std.)
- Optional Sex Nuts or Security Torx Screws Available

## Riser Diagram



## Dimensions



## Listings and Approvals



UL Listed  
Panic Hardware  
988N-Grade 2

UL1034-34 Temperature Section 34  
[Temperature Range -31° F (-35° C) to 150° F (+66° C)]

UL 1034-54 Dust Section 54



Meets ADA requirements



Meets NFPA 101  
for Life Safety,  
CA Title 19



ANSI/BHMA  
requirements for all  
Building Codes



California State Fire Marshall -  
4140-0127:102

Meets International Building Code

## Detex Limited Warranty

10 Year Limited Manufacturers  
Warranty

*Where Trust is Built™*  
**DETEX®**  
*Life Safety and Security Door Hardware*

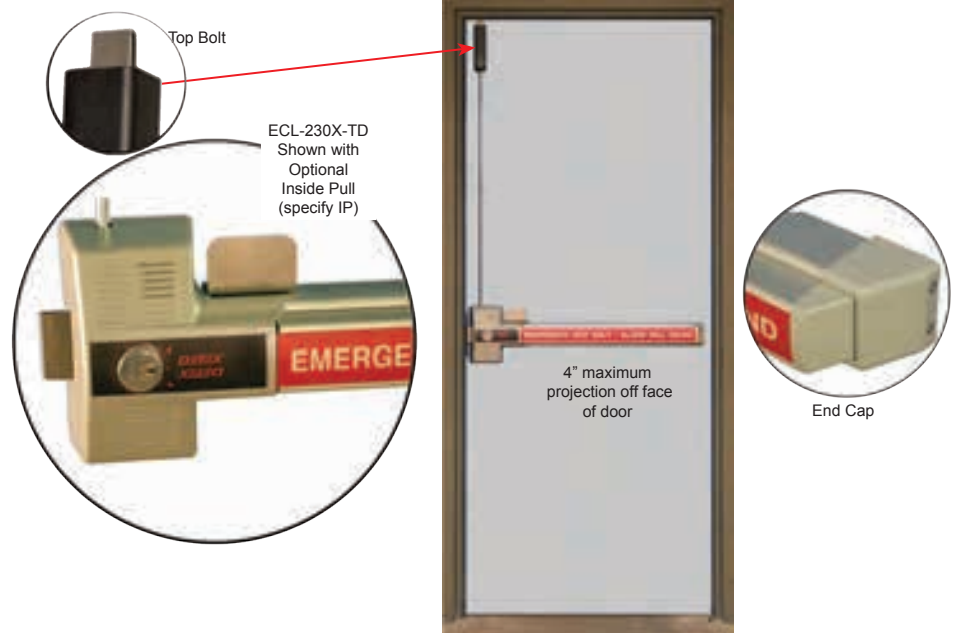
Detex Corporation  
302 Detex Drive  
New Braunfels, Texas 78130-3045 USA  
PH. (830) 629-2900  
(800) 729-3839  
FAX (830) 620-6711  
(800) 653-3839  
<http://www.detex.com>  
USA Sales:  
[marketing@detex.com](mailto:marketing@detex.com)  
International Sales:  
[export@detex.com](mailto:export@detex.com)

# EXIT CONTROL LOCKS

## ECL-230X-TD (Top and Dead Bolt)

### Exit Control Hardware

The ECL-230X-TD is a **code compliant, battery alarmed, rugged 2-point dead bolt**, panic device with **photo-luminescent sign** providing maximum security and a **100 decibel alarm** for **secondary exits**.



### Benefits

- Attack resistant design for maximum holding force
- Proven durability and reliability at a reasonable price
- Easy to install
- Reduces employee and customer theft
- Time tested construction resists attack from the inside
- One size fits 36"-48" doors for code compliant acceptance
- For additional security with 5 locking points, specify ECL-230X-TD-DX3
- Easy to see if the lights go out
- Straightforward operation that everyone understands

### Features

- 2-point, 1" throw dead bolt lock with just over 3/4" engagement with the frame and a 3/4" throw top lock with just over 5/8" engagement with the strike
- Saw resistant dead bolts
- Corrosion resistant alloy lock body
- 100 decibel alarm, powered by 9-volt battery (included)
- Surface/flush reversible strike
- Accepts 5-pin through 7-pin standard and interchangeable core rim cylinders without using cylinder collar
- Durable photo-luminescent sign absorbs light to then "glow in the dark" when lights are dimmed
- Locking and unlocking (dead bolt) always arms and disarms the alarm
- Non-handed
- Low profile meets International Building Code requirement allowing for 4" maximum projection off face of door
- Resetting the alarm can only be accomplished with a control key
- For 9VDC hardwiring add BE-961-1 or BE-961-2

### Mechanical Options

- Gray Finish (Std.)  
Note: Contact factory for additional finishes
- English Push Plate Sign (Std.)
- 84" - Fits 6'8" to 7' door
- 96" - Fits 7' to 8' door
- 120" - Fits 8' to 10' door
- 30 - Fits 30" wide door
- DX1 - Add hinge side protection with one hinge bolt for 3 locking points (3/4" frame engagement)
- DX2 - Add hinge side protection with two hinge side bolts for 4 locking points (3/4" frame engagement)
- DX3 - For maximum hinge side protection add three hinge side bolts for 5 locking points (3/4" frame engagement)
- RWS - Spanish Sign
- Other Languages available (call factory for details)

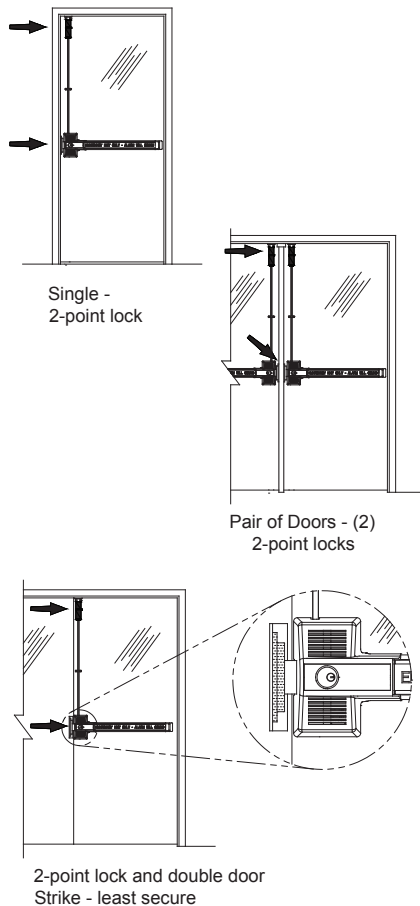
## Mechanical Options Continued

- 03T - Trim Plate
- 03PP - Pull Plate
- Rim cylinder required for 03 Trims (sold separately)
- 01T - Trim Plate
- 01PP - Pull Plate
- IC7R - Interchangeable core housing installed in Lock & or Trim
- IK7R - InstaKey Cylinder installed in Lock & or Trim
- RC65 - Rim Cylinder, Schlage "C" Keyway with 2 keys installed in Lock & or Trim
- IP - Inside Pull
- 96B - Dust Proof Strike
- DDSK - Double Door Strike Kit
- 96B-DDS - Dust Proof Strike & Double Door Strike
- SN1 - Sex Nut Kit
- CL - Cover Lock (Standard on TB configuration)
- SS - Security Screws
- CL-SS - Cover Lock & Security Screws
- RK - ECL-230D RetroFit Kit (End-cap plate & lock-body plate)
- RC - Rod Covers
- BG - Bottom Bolt Guard
- RC-BG - Rod Covers & Bottom Bolt Guard
- BE-961 - Hardwired Conversion Kit, eliminates battery (Sold Separately)

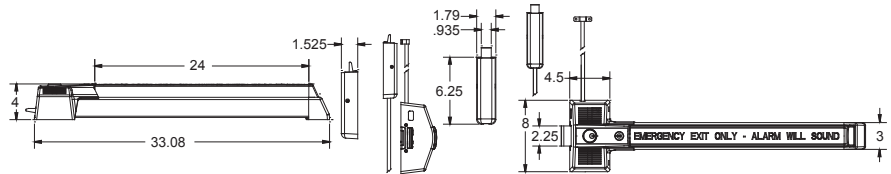
## Technical Information

- Door Types - Wood, Hollow Metal
- Door Thickness - Fits standard 1-3/4" - 2-1/4"
- Standard Device fits 36"-48" door
- Optional Device fits 30"-36" door
- Double Door requirements:
  - (1) ECL-230X-TD
  - (1) RC65
  - (1) DDSK
  - (1) DDH-2250
  - or
  - (2) ECL-230X-TD
  - (2) RC65
  - (1) 90KR
- Machine and Sheet Metal Screws (Std.)
- Optional Sex Nuts or Security Torx Screws Available

## Riser Diagram



## Dimensions



## Listings and Approvals



UL Listed  
Panic Hardware  
988N-Grade 2



Meets ADA requirements



Meets NFPA 101  
for Life Safety,  
CA Title 19



ANSI/BHMA  
requirements for all  
Building Codes



California State Fire Marshal -  
4140-0127:102

Meets International Building Code

## Detex Limited Warranty

10 Year Limited Manufacturers  
Warranty

*Where Trust is Built™*  
**DETEX®**  
*Life Safety and Security Door Hardware*

Detex Corporation  
302 Detex Drive  
New Braunfels, Texas 78130-3045 USA  
PH. (830) 629-2900  
(800) 729-3839  
FAX (830) 620-6711  
(800) 653-3839  
<http://www.detex.com>  
USA Sales:  
[marketing@detex.com](mailto:marketing@detex.com)  
International Sales:  
[export@detex.com](mailto:export@detex.com)

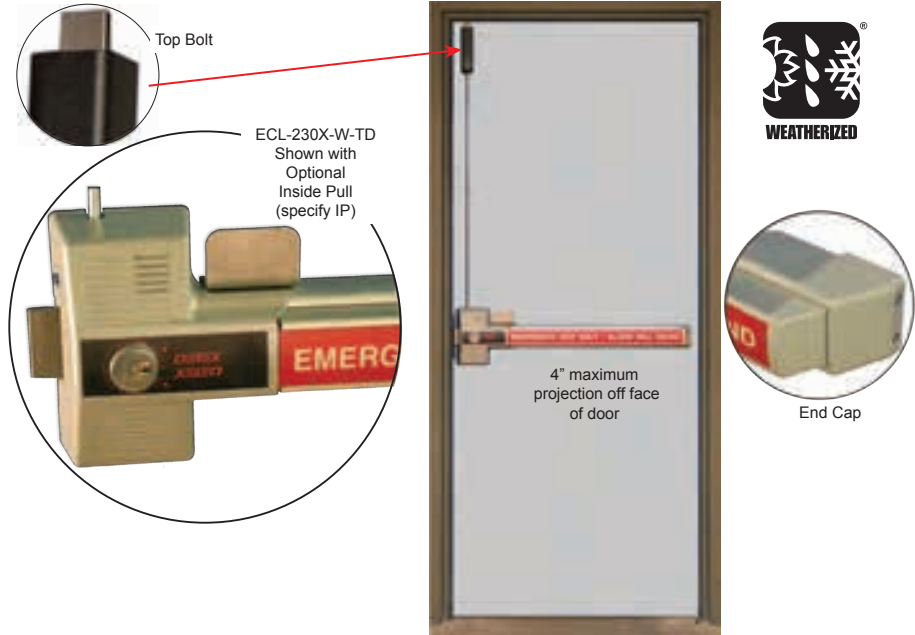
# EXIT CONTROL LOCKS

## ECL-230X-W-TD (Weatherized Top and Dead Bolt)

### Exit Control Hardware

The ECL-230X-W-TD is a **code compliant, battery alarmed, rugged 2-point dead bolt**, panic device with **photo-luminescent sign** providing maximum security and a **100 decibel alarm for secondary exits**.

This device conforms to UL1034-34 Temperature Section 34, UL1034-54 Dust Section 54, MIL-STD 810F, Method 506.4 (driving rain test); MIL-STD 810F and Method 509.4 (salt fog test).



### Benefits

- Attack resistant design for maximum holding force
- Weather resistant design for use in outdoor or wet environments
- Proven durability and reliability at a reasonable price
- Easy to install
- Reduces employee and customer theft
- Time tested construction resists attack from the inside
- One size fits 36"-48" doors for code compliant acceptance
- For additional security with 5 locking points, specify ECL-230X-W-TD-DX3
- Easy to see if the lights go out
- Straightforward operation that everyone understands

### Features

- 2-point, 1" throw dead bolt lock with just over 3/4" engagement with the frame and a 3/4" throw top lock with just over 5/8" engagement with the strike
- Saw resistant dead bolts
- Corrosion resistant alloy lock body
- 100 decibel alarm, powered by 9-volt battery (included)
- Surface/flush reversible strike
- Accepts 5-pin through 7-pin standard and interchangeable core rim cylinders without using cylinder collar
- Durable photo-luminescent sign absorbs light to then "glow in the dark" when lights are dimmed
- Locking and unlocking (dead bolt) always arms and disarms the alarm
- Non-handed
- Low profile meets International Building Code requirement allowing for 4" maximum projection off face of door
- Resetting the alarm can only be accomplished with a control key
- For 9VDC hardwiring add BE-961-1 or BE-961-2

### Mechanical Options

- Gray Finish (Std.)  
Note: Contact factory for additional finishes
- English Push Plate Sign (Std.)
- 84" - Fits 6'8" to 7' door
- 96" - Fits 7' to 8' door
- 120" - Fits 8' to 10' door
- 30 - Fits 30" wide door
- DX1 - Add hinge side protection with one hinge bolt for 3 locking points (3/4" frame engagement)
- DX2 - Add hinge side protection with two hinge side bolts for 4 locking points (3/4" frame engagement)
- DX3 - For maximum hinge side protection add three hinge side bolts for 5 locking points (3/4" frame engagement)
- RWS - Spanish Sign
- Other Languages available (call factory for details)

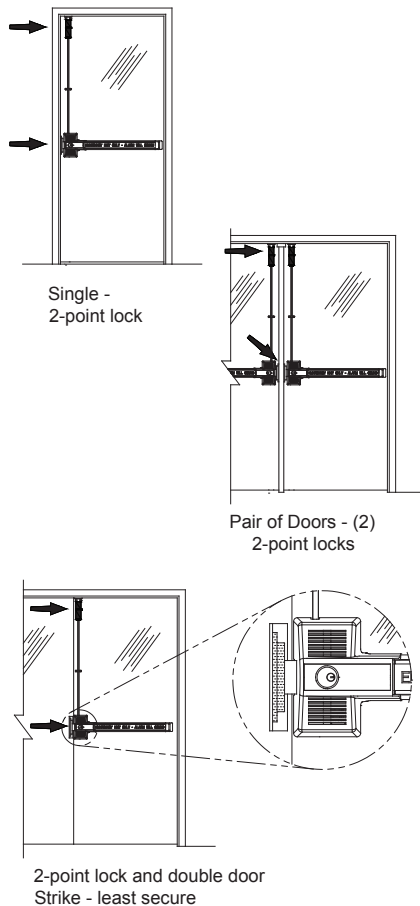
## Mechanical Options Continued

- 03T - Trim Plate
- 03PP - Pull Plate
- Rim cylinder required for 03 Trims (sold separately)
- 01T - Trim Plate
- 01PP - Pull Plate
- IC7R - Interchangeable core housing installed in Lock & or Trim
- IK7R - InstaKey Cylinder installed in Lock & or Trim
- RC65 - Rim Cylinder, Schlage "C" Keyway with 2 keys installed in Lock & or Trim
- IP - Inside Pull
- 96B - Dust Proof Strike
- DDSK - Double Door Strike Kit
- 96B-DDS - Dust Proof Strike & Double Door Strike
- SN1 - Sex Nut Kit
- CL - Cover Lock (Standard on TB configuration)
- SS - Security Screws
- CL-SS - Cover Lock & Security Screws
- RK - ECL-230D RetroFit Kit (End-cap plate & lock-body plate)
- RC - Rod Covers
- BG - Bottom Bolt Guard
- RC-BG - Rod Covers & Bottom Bolt Guard
- BE-961 - Hardwired Conversion Kit, eliminates battery (Sold Separately)  
NOTE: BE-961 is not weatherized, protect with NEMA enclosure.

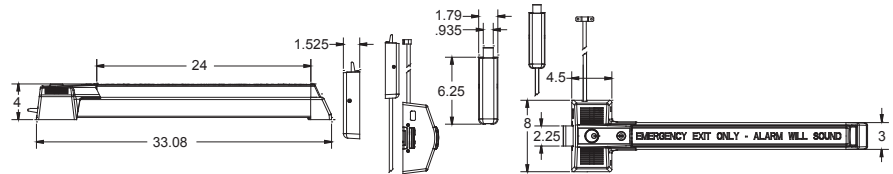
## Technical Information

- Door Types - Wood, Hollow Metal
- Door Thickness - Fits standard 1-3/4" - 2-1/4"
- Standard Device fits 36"-48" door
- Optional Device fits 30"-36" door
- Double Door requirements:  
(1) ECL-230X-W-TD  
(1) RC65  
(1) DDSK  
(1) DDH-2250  
or  
(2) ECL-230X-W-TD  
(2) RC65  
(1) 90KR
- Machine and Sheet Metal Screws (Std.)
- Optional Sex Nuts or Security Torx Screws Available

## Riser Diagram



## Dimensions



## Listings and Approvals



UL Listed  
Panic Hardware  
988N-Grade 2

UL1034-34 Temperature Section 34  
[Temperature Range -31° F (-35° C) to 150° F (+66° C)]

UL 1034-54 Dust Section 54



Meets ADA requirements



Meets NFPA 101  
for Life Safety,  
CA Title 19



ANSI/BHMA  
requirements for all  
Building Codes



California State Fire Marshal -  
4140-0127:102

Meets International Building Code

## Detex Limited Warranty

10 Year Limited Manufacturers  
Warranty

*Where Trust is Built™*  
**DETEX®**  
*Life Safety and Security Door Hardware*

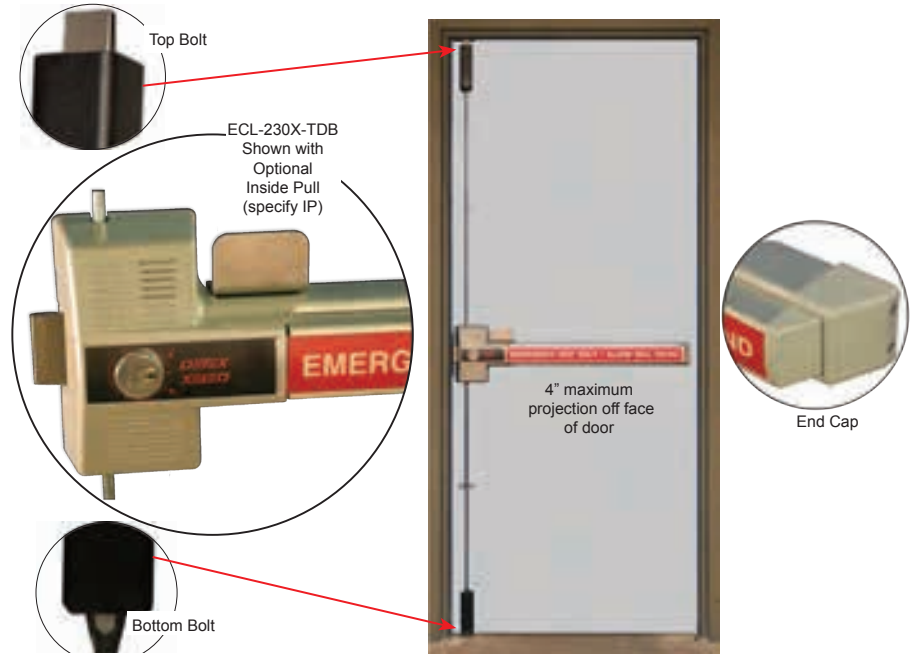
Detex Corporation  
302 Detex Drive  
New Braunfels, Texas 78130-3045 USA  
PH. (830) 629-2900  
(800) 729-3839  
FAX (830) 620-6711  
(800) 653-3839  
<http://www.detex.com>  
USA Sales:  
[marketing@detex.com](mailto:marketing@detex.com)  
International Sales:  
[export@detex.com](mailto:export@detex.com)

# EXIT CONTROL LOCKS

## ECL-230X-TDB (Top Bolt, Dead Bolt and Bottom Bolt)

### Exit Control Hardware

The ECL-230X-TDB is a **code compliant, battery alarmed, rugged 3-point dead bolt**, panic device with **photo-luminescent sign** providing maximum security and a **100 decibel alarm** for **secondary exits**.



### Benefits

- Attack resistant design for maximum holding force
- Proven durability and reliability at a reasonable price
- Easy to install
- Reduces employee and customer theft
- Time tested construction resists attack from the inside
- One size fits 36"-48" doors for code compliant acceptance
- For maximum security with 6 locking points, specify ECL-230X-TDB-DX3
- Easy to see if the lights go out
- Straightforward operation that everyone understands

### Features

- 3-point, 1" throw dead bolt lock with just over 3/4" engagement with the frame, and 3/4" throw top and bottom locks with 5/8" engagement with the strike
- Saw resistant dead bolts
- Corrosion resistant alloy lock body
- 100 decibel alarm, powered by 9-volt battery (included)
- Surface/flush reversible strike
- Accepts 5-pin through 7-pin standard and interchangeable core rim cylinders without using cylinder collar
- Durable photo-luminescent sign absorbs light to then "glow in the dark" when lights are dimmed
- Locking and unlocking the dead bolt always arms and disarms the alarm
- Non-handed
- Low profile meets International Building Code requirement allowing for 4" maximum projection off face of door
- Resetting the alarm can only be accomplished with a control key
- For 9VDC hardwiring add BE-961-1 or BE-961-2

### Mechanical Options

- Gray Finish (Std.)  
Note: Contact factory for additional finishes
- English Push Plate Sign (Std.)
- 84" - Fits 6'8" to 7' door
- 96" - Fits 7' to 8' door
- 120" - Fits 8' to 10' door
- 30 - Fits 30" wide door
- DX1 - Add hinge side protection with one hinge bolt for 4 locking points (3/4" frame engagement)
- DX2 - Add hinge side protection with two hinge side bolts for 5 locking points (3/4" frame engagement)
- DX3 - For maximum hinge side protection add three hinge side bolts for 6 locking points (3/4" frame engagement)
- RWS - Spanish Sign
- Other Languages available (call factory for details)

## Mechanical Options Continued

- 03T - Trim Plate
- 03PP - Pull Plate

Rim cylinder required for 03 Trims (sold separately)

- 01T - Trim Plate
- 01PP - Pull Plate
- IC7R - Interchangeable core housing installed in Lock & or Trim
- IK7R - InstaKey Cylinder installed in Lock & or Trim

- RC65 - Rim Cylinder, Schlage "C" Keyway with 2 keys installed in Lock & or Trim
- IP - Inside Pull
- 96B - Dust Proof Strike
- DDSK - Double Door Strike Kit
- 96B-DDS - Dust Proof Strike & Double Door Strike
- SN1 - Sex Nut Kit
- CL - Cover Lock (Standard on TB configuration)

- SS - Security Screws
- CL-SS - Cover Lock & Security Screws
- RK - ECL-230D RetroFit Kit (End-cap plate & lock-body plate)
- RC - Rod Covers
- BG - Bottom Bolt Guard
- RC-BG - Rod Covers & Bottom Bolt Guard
- BE-961 - Hardwired Conversion Kit, eliminates battery (Sold Separately)

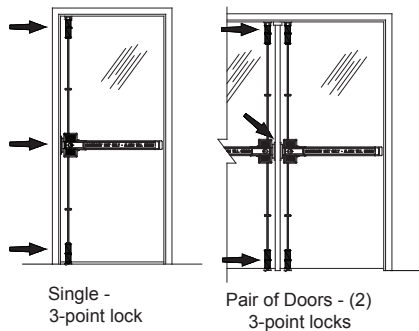
## Technical Information

- Door Types - Wood, Hollow Metal
- Door Thickness - Fits standard 1-3/4" - 2-1/4"
- Standard Device fits 36"-48" door
- Optional Device fits 30"-36" door

- Double Door requirements:
  - (1) ECL-230X-TDB
  - (1) RC65
  - (1) DDSK
  - (1) DDH-2250 or
  - (2) ECL-230X-TDB
  - (2) RC65
  - (1) 90KR

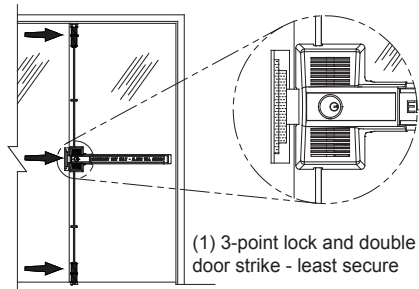
- Machine and Sheet Metal Screws (Std.)
- Optional Sex Nuts or Security Torx Screws Available

## Riser Diagram

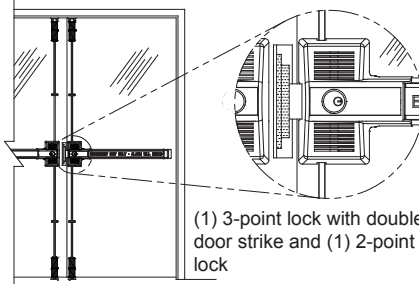


Single - 3-point lock

Pair of Doors - (2) 3-point locks

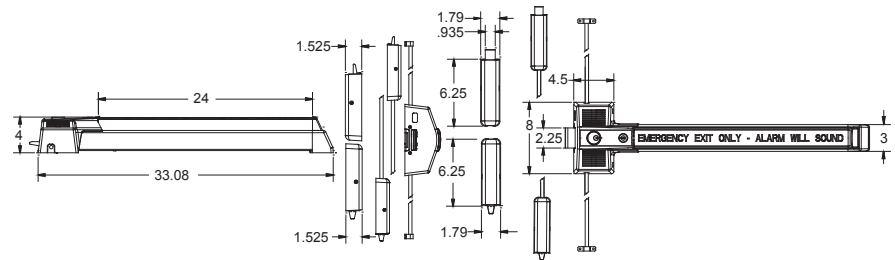


(1) 3-point lock and double door strike - least secure



(1) 3-point lock with double door strike and (1) 2-point lock

## Dimensions



## Listings and Approvals



UL Listed  
Panic Hardware  
988N-Grade 2



Meets ADA requirements



Meets NFPA 101  
for Life Safety,  
CA Title 19



ANSI/BHMA  
requirements for all  
Building Codes



California State Fire Marshal -  
4140-0127:102

Meets International Building Code

## Detex Limited Warranty

10 Year Limited Manufacturers  
Warranty

*Where Trust is Built™*  
**DETEX®**  
*Life Safety and Security Door Hardware*

Detex Corporation  
302 Detex Drive  
New Braunfels, Texas 78130-3045 USA  
PH. (830) 629-2900  
(800) 729-3839  
FAX (830) 620-6711  
(800) 653-3839  
<http://www.detex.com>  
USA Sales:  
[marketing@detex.com](mailto:marketing@detex.com)  
International Sales:  
[export@detex.com](mailto:export@detex.com)

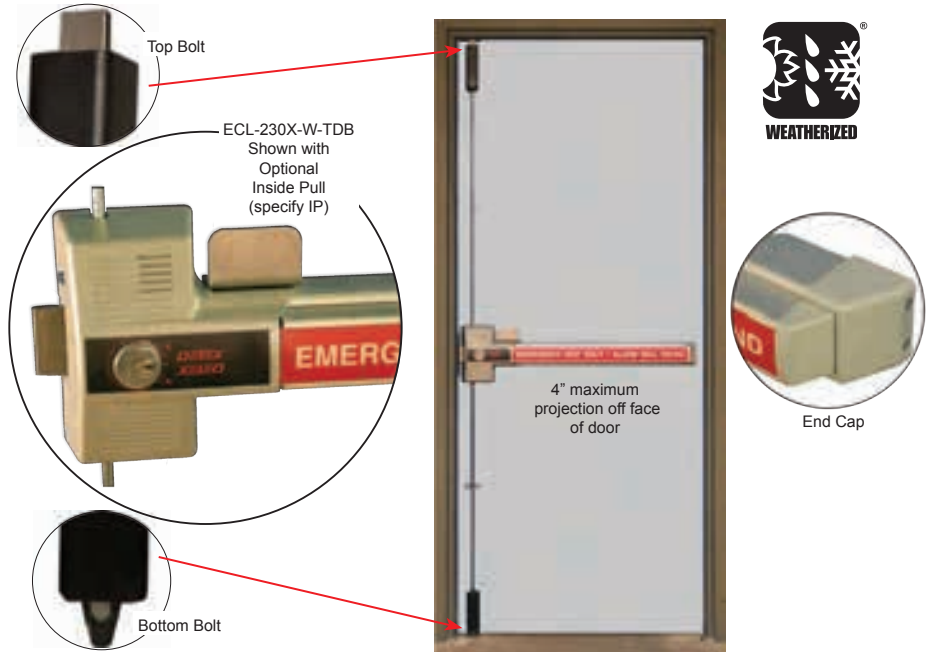
# EXIT CONTROL LOCKS

## ECL-230X-W-TDB (Weatherized Top Bolt, Dead Bolt and Bottom Bolt)

### Exit Control Hardware

The ECL-230X-W-TDB is a **code compliant, battery alarmed, rugged 3-point dead bolt, panic device with photo-luminescent sign** providing maximum security and a **100 decibel alarm for secondary exits.**

This device conforms to UL1034-34 Temperature Section 34, UL1034-54 Dust Section 54, MIL-STD 810F, Method 506.4 (driving rain test); MIL-STD 810F and Method 509.4 (salt fog test).



### Benefits

- Attack resistant design for maximum holding force
- Weather resistant design for use in outdoor or wet environments
- Proven durability and reliability at a reasonable price
- Easy to install
- Reduces employee and customer theft
- Time tested construction resists attack from the inside
- One size fits 36"-48" doors for code compliant acceptance
- For maximum security with 6 locking points, specify ECL-230X-W-TDB-DX3
- Easy to see if the lights go out
- Straightforward operation that everyone understands

### Features

- 3-point, 1" throw dead bolt lock with just over 3/4" engagement with the frame, and 3/4" throw top and bottom locks with 5/8" engagement with the strike
- Saw resistant dead bolts
- Corrosion resistant alloy lock body
- 100 decibel alarm, powered by 9-volt battery (included)
- Surface/flush reversible strike
- Accepts 5-pin through 7-pin standard and interchangeable core rim cylinders without using cylinder collar
- Durable photo-luminescent sign absorbs light to then "glow in the dark" when lights are dimmed
- Locking and unlocking the dead bolt always arms and disarms the alarm
- Non-handed
- Low profile meets International Building Code requirement allowing for 4" maximum projection off face of door
- Resetting the alarm can only be accomplished with a control key
- For 9VDC hardwiring add BE-961-1 or BE-961-2

### Mechanical Options

- Gray Finish (Std.)  
Note: Contact factory for additional finishes
- English Push Plate Sign (Std.)
- 84" - Fits 6'8" to 7' door
- 96" - Fits 7' to 8' door
- 120" - Fits 8' to 10' door
- 30 - Fits 30" wide door
- DX1 - Add hinge side protection with one hinge bolt for 4 locking points (3/4" frame engagement)
- DX2 - Add hinge side protection with two hinge side bolts for 5 locking points (3/4" frame engagement)
- DX3 - For maximum hinge side protection add three hinge side bolts for 6 locking points (3/4" frame engagement)
- RWS - Spanish Sign
- Other Languages available (call factory for details)



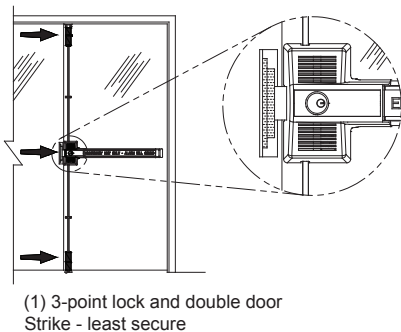
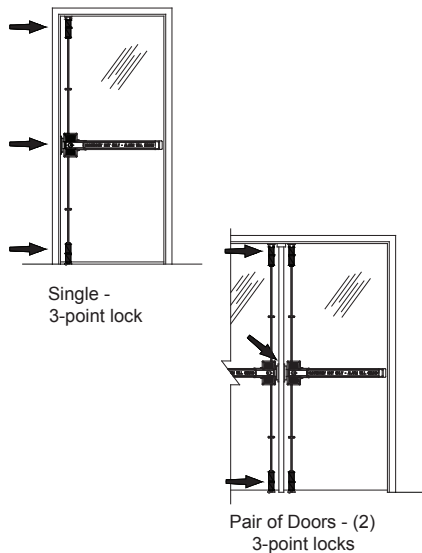
## Mechanical Options Continued

- 03T - Trim Plate
- 03PP - Pull Plate
- Rim cylinder required for 03 Trims (sold separately)
- 01T - Trim Plate
- 01PP - Pull Plate
- IC7R - Interchangeable core housing installed in Lock & or Trim
- IK7R - InstaKey Cylinder installed in Lock & or Trim
- RC65 - Rim Cylinder, Schlage "C" Keyway with 2 keys installed in Lock & or Trim
- IP - Inside Pull
- 96B - Dust Proof Strike
- DDSK - Double Door Strike Kit
- 96B-DDS - Dust Proof Strike & Double Door Strike
- SN1 - Sex Nut Kit
- CL - Cover Lock (Standard on TB configuration)
- SS - Security Screws
- CL-SS - Cover Lock & Security Screws
- RK - ECL-230D RetroFit Kit (End-cap plate & lock-body plate)
- RC - Rod Covers
- BG - Bottom Bolt Guard
- RC-BG - Rod Covers & Bottom Bolt Guard
- BE-961 - Hardwired Conversion Kit, eliminates battery (Sold Separately)  
NOTE: BE-961 is not weatherized, protect with NEMA enclosure.

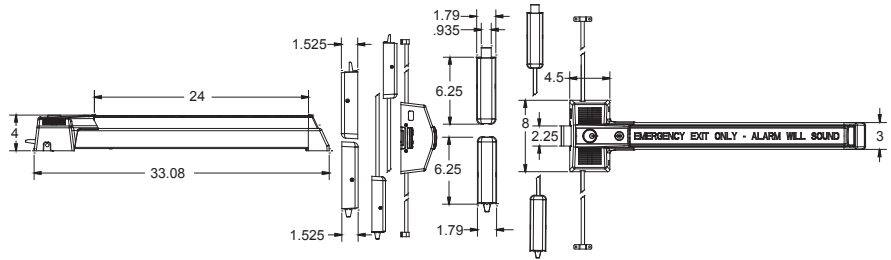
## Technical Information

- Door Types - Wood, Hollow Metal
- Door Thickness - Fits standard 1-3/4" - 2-1/4"
- Standard Device fits 36"-48" door
- Optional Device fits 30"-36" door
- Double Door requirements:
  - (1) ECL-230X-W-TDB
  - (1) RC65
  - (1) DDSK
  - (1) DDH-2250
  - or
  - (2) ECL-230X-W-TDB
  - (2) RC65
  - (1) 90KR
- Machine and Sheet Metal Screws (Std.)
- Optional Sex Nuts or Security Torx Screws Available

## Riser Diagram



## Dimensions



## Listings and Approvals



UL Listed  
Panic Hardware  
988N-Grade 2

UL 1034-34 Temperature Section 34  
[Temperature Range -31° F (-35° C) to 150° F (+66° C)]

UL 1034-54 Dust Section 54



Meets ADA requirements



Meets NFPA 101  
for Life Safety,  
CA Title 19



ANSI/BHMA  
requirements for all  
Building Codes



California State Fire Marshall -  
4140-0127:102

Meets International Building Code

## Detex Limited Warranty -

10 Year Limited Manufacturers  
Warranty



Detex Corporation  
302 Detex Drive  
New Braunfels, Texas 78130-3045 USA  
PH. (830) 629-2900  
(800) 729-3839  
FAX (830) 620-6711  
(800) 653-3839  
<http://www.detex.com>  
USA Sales:  
[marketing@detex.com](mailto:marketing@detex.com)  
International Sales:  
[export@detex.com](mailto:export@detex.com)

# EXIT CONTROL LOCKS

## ECL-600

### Exit Control Hardware

---

The ECL-600 is a **fire rated, code-compliant**, rugged, dependable **relatching** exit device with a **steel plate and photo-luminescent sign** providing managed security and a 100 decibel alarm for secondary fire exits.



### Benefits

---

- Attack resistant design withstands over 2200 lbs. of outside pull force
- Proven durability, reliability and long service life at a reasonable price
- Reduces employee and customer theft
- Easy to Install
- Time tested construction resists attack from the inside
- Easy to see if the lights go out
- Straightforward operation that everyone understands

### Features

---

- 1" throw dead bolt and 3/4" dead locking latch bolt
- Relatching for additional security
- Saw resistant dead bolt
- Corrosion resistant alloy lock-body
- 100 decibel alarm, powered by 9-volt battery (included)
- Accepts 5-pin through 7-pin standard and interchangeable core rim cylinders
- Durable steel plate with photo luminescent sign
- Non-handed
- Locking and unlocking the dead bolt always arms and disarms the alarm
- Resetting the alarm can only be accomplished with a control key

### Mechanical Options

---

- Gray Finish (Std.)
- Black Finish (BK)
- F - 3-Hour Fire Rated
- English Push Plate Sign (Std.)
- Other Languages available (call factory for details)
- For Panic Hardware see ECL-230D or ECL-230D-PH

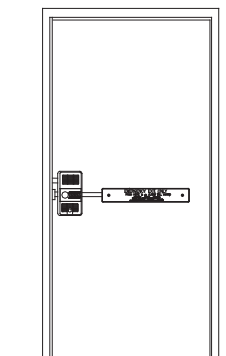
## Accessories

- ECL-2100K - Bar Guard Kit - to protect end of bar, when required by code
- ECL-445K - Rim Cylinder, 5-pin with two keys
- ECL-1595 - Cylinder Collar required for 6 or 7 pin cylinders
- F90KR - Key Removable Mullion for pairs of doors. Each leaf will operate independently.
- BE-961 - Hard wired Conversion Kit, eliminates battery
- ECL-435K Adjustable Surface Keeper Bracket for some double door applications
- ECL-620 - Outside Lever Trim (rim cylinder sold separately)

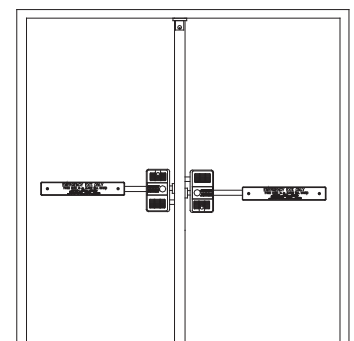
## Technical Information

- Door Types - Wood, Hollow Metal or Aluminum
- Door Thickness - Fits standard 1-3/4" - 2-1/4"
- Minimum standard door width for ECL-600 is 34"
- Double Door requirements: Fire Rated  
(2) ECL-600  
(3) ECL-445K Cylinders  
(1) F90KR Key Removable Mullion (3-hour fire rated to 8'0" high)
- Door Stile - Fits minimum 5-3/4" with ECL-437K Strike (Std.)
- Door Stile - Fits maximum 1-7/8" with ECL-475 Kit
- Machine and Sheet Metal Screws (Std.)
- Optional Sex Nuts or Security Torx Screws Available

## Riser Diagram

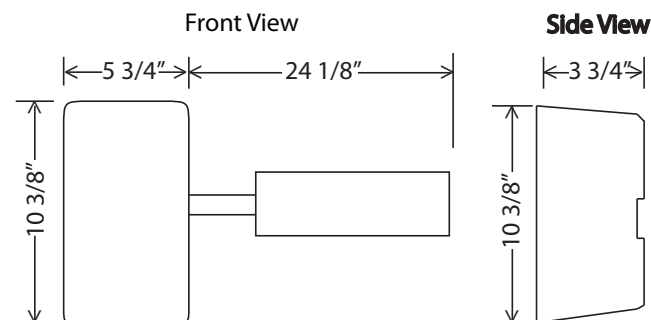


Single Door



Double Doors  
with  
Key Removable  
Mullion

## Dimensions



## Listings and Approvals



Fire Exit Hardware



Meets ADA requirements



Meets NFPA 80 & 101  
for Life Safety,  
CA Title 19  
&



ANSI/BHMA  
requirements for all  
Building Codes



California State Fire Marshall -  
4140-0127:102

## Detex Limited Warranty

10 Year Limited Manufacturer's  
Warranty

*Where Trust is Built™*  
**DETEX®**  
*Life Safety and Security Door Hardware*

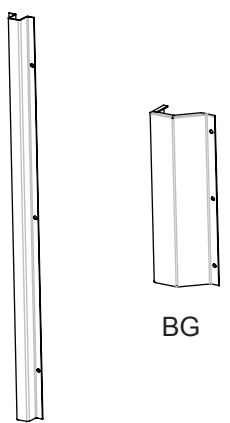
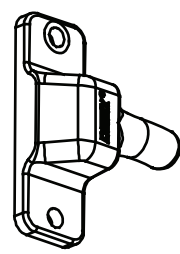
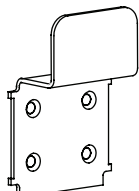
Detex Corporation  
302 Detex Drive  
New Braunfels, Texas 78130-3045 USA  
PH. (830) 629-2900  
(800) 729-3839  
FAX (830) 620-6711  
(800) 653-3839  
<http://www.detex.com>  
USA Sales:  
[marketing@detex.com](mailto:marketing@detex.com)  
International Sales:  
[export@detex.com](mailto:export@detex.com)

# EXIT CONTROL LOCKS

## ACCESSORIES for ECL-230X SERIES

---

Detex makes a number of accessories available that allow the Exit Control Locks to be used in a wide range of applications. Below is a listing and description of these items.

	<u>Item Number</u>	<u>Description and Use</u>
 <p data-bbox="259 913 300 945">RC</p> <p data-bbox="406 787 454 819">BG</p>	<p data-bbox="722 441 868 514"><b>RC</b> <b>(105771-X)</b></p> <p data-bbox="722 598 836 672"><b>BG</b> <b>(103562)</b></p> <p data-bbox="722 766 868 840"><b>RC-BG</b> <b>(105771-X)</b></p>	<p data-bbox="1047 441 1209 472"><b><u>Rod Covers</u></b> Protects rods in high use, high abuse applications. Used with ECL-230X-TB, TD &amp; TDB.</p> <p data-bbox="1047 598 1299 630"><b><u>Bottom Bolt Guard</u></b> Protects bottom bolt in high use, high abuse applications. Used with ECL-230X-TB &amp; TDB.</p> <p data-bbox="1047 766 1477 798"><b><u>Rod Covers &amp; Bottom Bolt Guard</u></b> Protects rods &amp; bottom bolt in high use, high abuse applications. Used with ECL-230X-TB &amp; TDB.</p>
 <p data-bbox="251 1386 389 1417">DX1 shown</p>	<p data-bbox="722 997 787 1029"><b>DX1</b></p> <p data-bbox="722 1207 787 1239"><b>DX2</b></p> <p data-bbox="722 1417 787 1449"><b>DX3</b></p>	<p data-bbox="1047 997 1307 1029"><b><u>One hinge side lock</u></b> One hinge side locking point, keeps door secure even if hinge knuckles are removed. Used when higher level of security is required.</p> <p data-bbox="1047 1207 1469 1239"><b><u>Two hinge side locks</u></b> Two hinge side locking points, keeps door secure even if hinge knuckles are removed. Used when higher level of security is required.</p> <p data-bbox="1047 1417 1469 1449"><b><u>Three single side locks</u></b> Three hinge side locking points, keeps door secure even if hinge knuckles are removed. Used when higher level of security is required.</p>
	<p data-bbox="722 1690 755 1722"><b>IP</b></p>	<p data-bbox="1047 1659 1193 1690"><b><u>Inside Pull</u></b> Provides grip handle on inside of door, assists in pulling door closed and locking door</p>

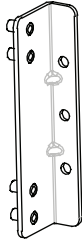
# EXIT CONTROL LOCKS CONT'D

## ACCESSORIES for ECL-230X SERIES

---

### Item Number

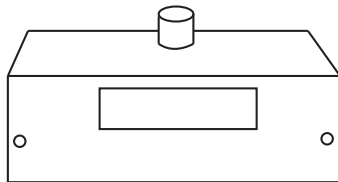
### Description and Use



DDSK

#### Double Door Strike Bracket Kit

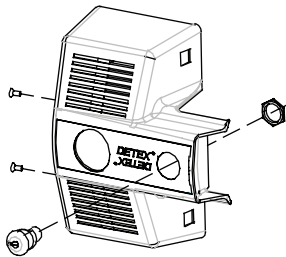
Mounts on inactive leaf. Typically used in conjunction with flush bolts or similar products in double door applications.



DDH-2250

#### Double Door Holder

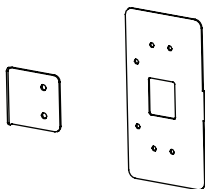
Mounts on inactive leaf. Typically used on pairs of doors. Locks inactive leaf, when active leaf closes, operates similar to automatic flush bolts.



105059-X

#### Cover Lock Kit

Provides additional protection for battery protection. Requires main operational key and cover lock key to perform maintenance, change battery.



RK

#### ECL-230 Retrofit Plate Kit

Useful when removing an ECL-230D and installing an ECL-230X



102638

#### Rim Cylinder Plate

03 function cylinder trim plate used on gates

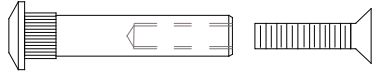
# EXIT CONTROL LOCKS CONT'D

## ACCESSORIES for ECL-230X SERIES

---

**Item Number**

**Description and Use**

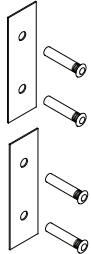


SN1

SN1  
(101616-X)

**Sex Nuts**

Recommended for high use, high abuse applications

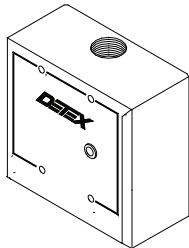


TMP1

TMP1

**Through Bolt Mounting Plate Kit**

Recommended for high use, high abuse applications. Kit is standard with two plates and four 1/4-20 sex bolts.



BE-961-1 shown

BE-961-1

**Battery Eliminator**

120VAC to 9VDC - includes 10" flex conduit (includes 120VAC to 12VAC transformer)

BE-961-2

**Battery Eliminator**

120VAC to 9VDC - includes 10" flex conduit with supervisory loop power, alarm and LED (includes 120VAC to 12VAC transformer)

BE-961-5

**Battery Eliminator**

12VAC to 9VDC - does not include transformer or flex conduit

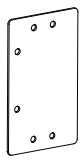
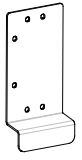
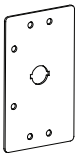
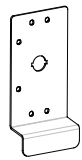
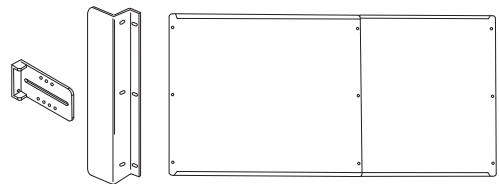
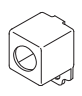
BE-961-6

**Battery Eliminator**

24VAC to 9VDC - does not include transformer or flex conduit

# EXIT CONTROL LOCKS CONT'D

## ACCESSORIES for ECL-230X SERIES

	<u>Item Number</u>	<u>Description and Use</u>
01T	01T	<b><u>Trim Plate</u></b> Does not include outside key control. Typically used to cover exterior holes on pull side of door.
	01PP	<b><u>Trim Pull Plate</u></b> Does not include outside key control. Typically used to pull door open while door is unlocked.
	03T	<b><u>Trim Pull Plate</u></b> Requires rim cylinder, provides outside key control. Pull provided by others, supplied separately.
	03PP	<b><u>Trim Pull Plate</u></b> Requires rim cylinder, provides outside key control. Typically used to pull door open while door is unlocked.
-----		
	GTPL230X	<b><u>Gate Plate</u></b> Adjustable gate plate fits gates 32" - 52" wide. Fits square or round gate frames. Comes with holes for mounting ECL-230X.
	03GS	<b><u>Cylinder Trim</u></b> Optional 03 function cylinder trim used on gates (Rim cylinder sold separate)

*Where Trust is Built™*

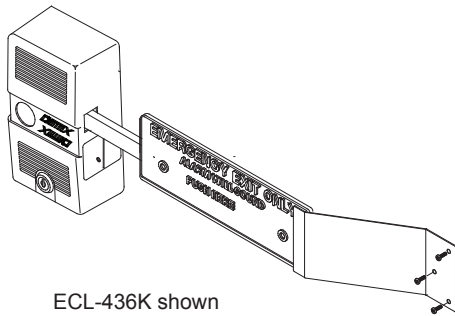
**DETEx**®  
*Life Safety and Security Door Hardware*

Detex Corporation  
302 Detex Drive  
New Braunfels, Texas 78130-3045 USA  
PH. (830) 629-2900  
(800) 729-3839  
FAX (830) 620-6711  
(800) 653-3839  
<http://www.detex.com>  
USA Sales:  
[marketing@detex.com](mailto:marketing@detex.com)  
International Sales:  
[export@detex.com](mailto:export@detex.com)

# EXIT CONTROL LOCKS

## ACCESSORIES for ECL-230D SERIES and ECL-600

Detex makes a number of accessories available that allow the Exit Control Locks to be used in a wide range of applications. Below is a listing and description of these items.



### Item Number

### Description and Use

ECL-436K

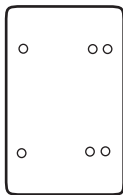
#### **Panic Bar Plate Guard Kit**

Protects against clothing being caught on exit bar plate. Used with ECL-230D.

ECL-2100K

#### **Panic Bar Plate Guard Kit**

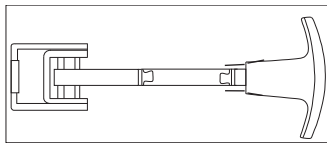
Protects against clothing being caught on exit bar plate. Used with ECL-230D-PH and ECL-600 (Required)



ECL-475K

#### **Decorative Back Plate Kit**

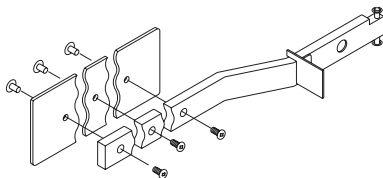
5 19/32" W x 10 3/16" H x .045" thick. To improve the appearance of the back of an Exit Control Lock visible through glass on a narrow stile glass door.



ECL-498K

#### **Outside Pull and Warning Sign**

Mounted on opposite face of door where conditions or regulations require that an emergency exit be openable from both sides. Alarm sounds when door is opened.



ECL-2105K

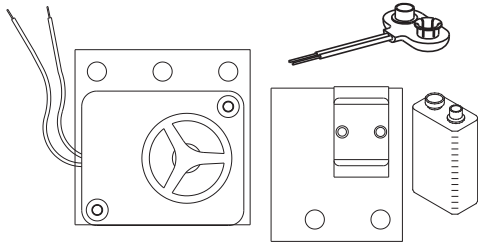
#### **Paddle Bar Kit (Retrofit)**

Bar extension kit for 3.0' to 4.0' doors



# EXIT CONTROL LOCKS CONT'D

## ACCESSORIES for ECL-230D SERIES and ECL-600



ECL-2111K

### Siren/Battery Conversion Kit

For ECL-230C & D. Converts ECL-230 6 volt lantern battery to 9 volt battery & siren

### Optional Captions for Exit Bar Plates

Standard exit bar plate includes words "EMERGENCY EXIT ONLY". Do not use this plate where door does not lead to an exit. For interior use, order plate 336. When optional plate 336 is ordered as an accessory by number (example ECL-230D x 336), correct plate is supplied on lock in place of standard plate at no charge. 3" H x 8 7/8" L - Extends 13" out from the side of the lock.



ECL-8220



ECL-336

### Item Number

### Description

ECL-8220  
ECL-8220-1

English Exit Bar Plate  
Red (Standard)  
Green

ECL- 336

English Interior Door Bar Plate  
(Red)

ECL-8225-4  
ECL-8225-8

Spanish Exit Bar Plate  
Green  
Red

ECL-8225-6

Chinese/English Exit Bar Plate  
(Red)

ECL-8225-7

French Canadian Exit Bar Plate  
(Red)

ECL-8225-2

French Exit Bar Plate (Green)

ECL-8225-3

German Exit Bar Plate (Green)

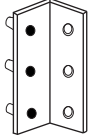
ECL-2109

English Exit Bar Plate for Long Bar -  
ECL-230D-PH (Red)

# EXIT CONTROL LOCKS CONT'D

## ACCESSORIES for ECL-230D SERIES and ECL-600

Single Door Mechanical Strikes for Inswinging and Outswinging Installations

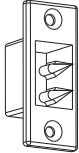


**Item Number**

**ECL-435K**

**Description and Use**

**Adjustable strike bracket, surface**  
For use on left hand, right hand inswinging doors or double doors with one door stationary using flush bolts or DDH-2250



**ECL-439K**

**Mortise strike**  
For use on outswinging doors



**ECL-437K**

**Adjustable strike, surface**  
For use on outswinging doors

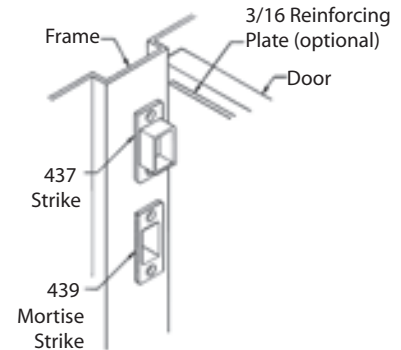
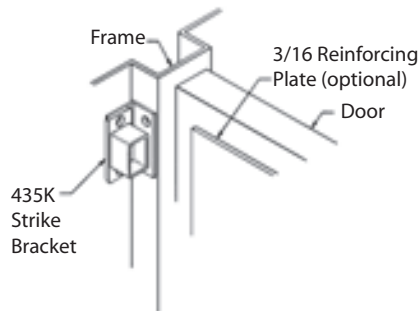
INSWINGING DOORS - LH, RH  
ECL-435K adjustable strike bracket, surface

FOR INSWINGING INSTALLATIONS  
and  
DOUBLE DOOR APPLICATIONS  
without a MULLION

FOR OUTSWINGING  
INSTALLATIONS

OUTSWINGING DOORS  
ECL-439K mortise strike  
ECL-437K adjustable strike, surface

\* Price of lock includes a kit containing 439 and 437 strikes with required mounting screws. All other strikes must be ordered separately by number. There is an extra charge for strikes that are not included as part of the lock.



All bracket-mounted strikes include unique adjustable feature for proper installation alignment. All strikes supplied with wood and sheet metal mounting screws.

*Where Trust is Built™*

**DETEX®**

*Life Safety and Security Door Hardware*

Detex Corporation  
302 Detex Drive  
New Braunfels, Texas 78130-3045 USA  
PH. (830) 629-2900  
(800) 729-3839  
FAX (830) 620-6711  
(800) 653-3839  
<http://www.detex.com>  
USA Sales:  
[marketing@detex.com](mailto:marketing@detex.com)  
International Sales:  
[export@detex.com](mailto:export@detex.com)

# EXIT CONTROL LOCKS ACCESSORY

## BE-961

### Battery Eliminator

---

The BE-961 Battery Eliminator is designed to power security devices such as the Detex ECL-230D, ECL-230X Series, ECL-600 battery powered series exit control locks and V40 alarmed rim exit device without reliance on batteries. Converts AC power to DC for supplying battery-operated devices.



**BE-961-1**

**BE-961-2**

(For use with ECL products only)

### Benefits

---

- Powers security devices without reliance on batteries
- Eliminating the need to annually change 9 volt batteries, saves money, prevents unnecessary battery disposal and creates a greener process
- May be installed on the wall adjacent to the protected door quickly and easily
- 10' Flexible armored cable connects the battery eliminator to the security device without interfering with door use
- LED provides visual status of power
- For extra security, the connecting cable may be concealed in the door using a continuous electric hinge

### Features

---

- Available Battery Eliminator Power Supplies:
  - BE-961-1** = Converts 120VAC to 9VDC  
Note: Powers up to three 9V battery devices)
  - BE-961-2** = Converts 120VAC to 9VDC includes secure power / supervisory loop (cutting 9V power will sound alarm)  
Note: For use with ECL products only.
  - BE-961-5** = Converts 12VAC to 9VDC  
Note: Conduit and transformer sold separately
  - BE-961-6** = Converts 24VAC to 9VDC  
Note: Conduit and transformer sold separately
- The BE-961-2 includes an internal alarm which sounds at 95dB if the secure power feed wires are cut or when the ECL unit sounds (for use with ECL products only)

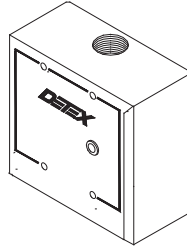
### Technical Information

---

- 9VDC or 6VDC outputs, jumper selectable to the security device
- 12 VAC 25 VA transformer included - requires 120 VAC
- Line input transient suppression is a standard feature

## Dimensions

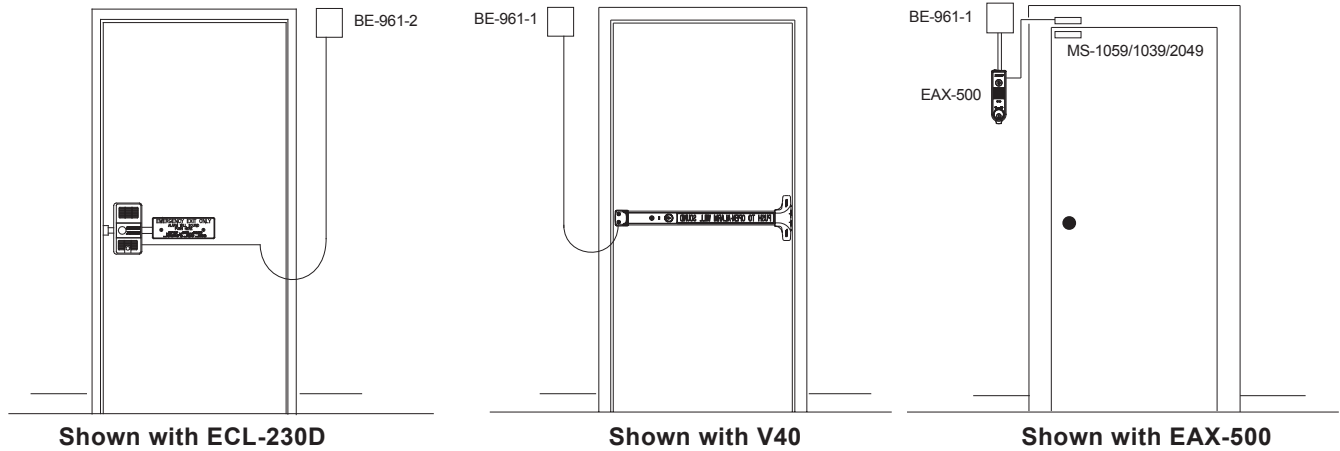
- 4-5/8" wide x 4-5/8" long x 2" deep
- Standard cast aluminum case



## Detex Limited Warranty

3 Year Limited Manufacturers Warranty

## Riser Diagram



*Where Trust is Built™*  
**DETEX®**  
*Life Safety and Security Door Hardware*

Detex Corporation  
302 Detex Drive  
New Braunfels, Texas 78130-3045 USA  
PH. (830) 629-2900  
(800) 729-3839  
FAX (830) 620-6711  
(800) 653-3839  
<http://www.detex.com>  
USA Sales:  
[marketing@detex.com](mailto:marketing@detex.com)  
International Sales:  
[export@detex.com](mailto:export@detex.com)

# EXIT CONTROL LOCKS ACCESSORY

## DDH-2250

### Double Door Holder

---

The DDH-2250, Double Door Holder, is designed for use with Detex Exit Control Locks to provide locking of the inactive leaf on an outswinging double door. Release of the active leaf disengages the DDH-2250 allowing the inactive leaf to open freely.



### Benefits

---

- Enables the Detex Exit Control Locks to be used with any wood, metal or glass double outswinging exit door
- Flexibility for mounting on either the left or right door
- Simple, easy operation - no mortise required
- Pushing the exit control lock opens the active leaf and automatically disengages the DDH-2250, providing instant emergency exit with both doors

### Features

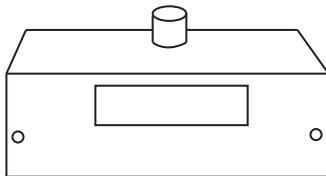
---

- Case hardened steel locking bolt
- Interchangeable pin
- Stainless steel spring providing instant release of lock bolt
- Cast housing of 3/16" durable zinc alloy
- Reversible for right or left hand doors
- 1/4" thick face plate
- Mounting kit contains, screws, allen wrench, strike plate, door protection plate and templates

### Dimensions

---

- 7 1/8" long x 2 1/4" deep x 2 7/8" high



### Detex Limited Warranty

---

3 Year Limited Manufacturers Warranty

*Where Trust is Built™*  
**DETEx®**  
*Life Safety and Security Door Hardware*

Detex Corporation  
302 Detex Drive  
New Braunfels, Texas 78130-3045 USA  
PH. (830) 629-2900  
(800) 729-3839  
FAX (830) 620-6711  
(800) 653-3839  
<http://www.detex.com>  
USA Sales:  
[marketing@detex.com](mailto:marketing@detex.com)  
International Sales:  
[export@detex.com](mailto:export@detex.com)

# DX BOLTS

## DX1- Single Hinge Bolt / DX2 - Double Hinge Bolts / DX3 Triple Hinge Bolts Hinge Side Locking Dead Bolt for Supplementary Protection

Providing hinge-side protection, the DX Bolt is an additional line of defense against break-ins. Even if the exterior door hinges are compromised the DX Bolts keep your door locked and secure. These passive deadbolts are easy-to-install and offer another layer of attack resistance. DX Bolts can be added to most applications, providing code compliant, economical, multipoint locking security. DX Bolts are available for use with all Detex panic hardware.



Shown here with:  
ECL-230X-TDB-DX3  
6 point lock

### Benefits

- Provides additional line of defense against break-ins
- Attack-resistant design keeps door locked and secure to deter against burglaries
- Adds additional locking points, improving holding strength to slow down crowbar attacks
- Even if the hinges are cut off, the door remains locked and secure
- Easy-to-install design provides secure and accurate bolt engagement every time
- Through-bolt mounting installation improves holding strength

### Features

- Can be added to almost any out-swing door application
- You choose the right level of protection with kits of 1 bolt, 2 bolts or 3 bolts
- Non-handed
- Add DX bolts to any Detex multipoint lock to create 4 point, 5 point and 6 point locking panic hardware
- Kits include through-bolt mounting hardware
- One piece stainless construction provides superior holding strength
- Excellent for exterior applications or doors that get wet

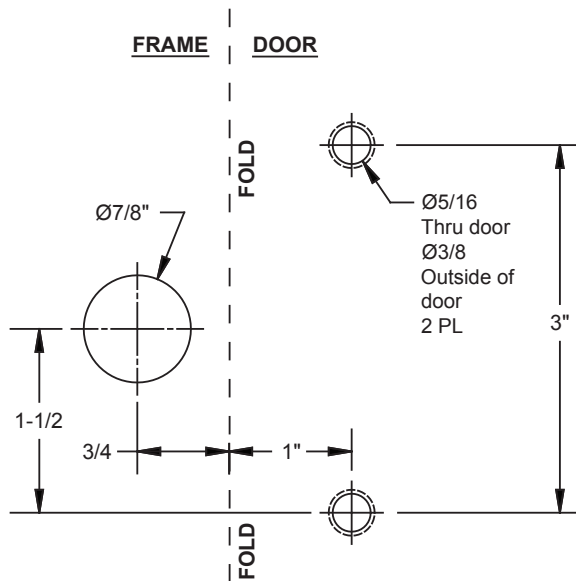
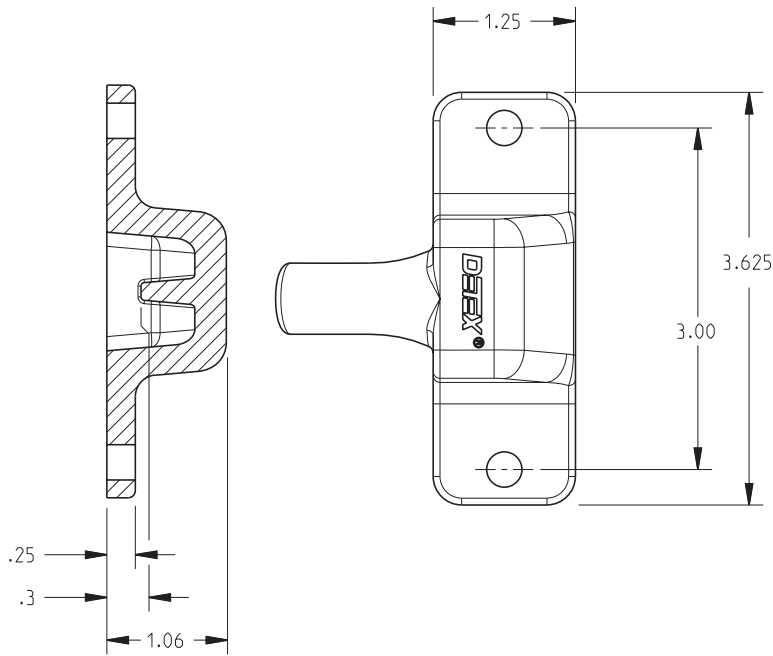
**Technical Information**

- Door Types - Hollow Metal, Fiberglass or Aluminum
- Door Thickness - Fits standard 1-3/4" - 2-1/4" (for other door thicknesses contact factory)
- Machine Screws with Sex Nut fasteners (Std.)

**Finishes**

- Available in Steel Gray (GRY) - standard Steel
- Available in Painted Black (BLK)

**Dimensions**



**Listings and Approvals**



**Detex Limited Warranty**

10 Year Limited Manufacturers Warranty



Detex Corporation  
302 Detex Drive  
New Braunfels, Texas 78130-3045 USA  
PH. (830) 629-2900  
(800) 729-3839  
FAX (830) 620-6711  
(800) 653-3839  
<http://www.detex.com>  
USA Sales:  
[marketing@detex.com](mailto:marketing@detex.com)  
International Sales:  
[export@detex.com](mailto:export@detex.com)

# VERTICAL ROD ASSEMBLIES

## VRA-143 SERIES

### for Detex Exit control Lock Systems (230 Series)

---

A Vertical Rod Assembly (VRA) is used with a Detex Exit Control Lock (ECL-230) to provide exit control security on an outswinging double doors. In addition it may be used on a single door installation to provide top and bottom latching instead of the single point latching provided by the Exit Control Lock itself.



---

#### Benefits

- 2 point locking provides extra security
- 3 versions to suit most conditions
- Surface applied - no mortise required for easy installation
- Automatically released when the ECL-230 device is activated

---

#### Features

- Heavy duty 3/8" diameter bolts
- VRA-143B secures a single or a pair of doors with one ECL-230 Series Lock, allowing outside access to the active door
- 2 VRA-143D assemblies hold a pair of doors with 2 ECL-230 series locks & permit independent operation of each leaf
- Non-handed
- Sizes accommodate 80" & 120" doors

---

#### Mechanical Options

- Option B (std) - Active leaf opens both
- Option C - Active leaf opens first; Inactive leaf remains locked until ECL-230D is activated
- Option D - Each leaf independent
- Door Heights - 84" (std) Special 85" to 96" and over 96"

---

#### Accessories

- ECL-230D
- ECL-230D-PH
- ECL-436K Bar Guard Kit (for use with ECL-230D)
- ECL-2100K Bar Guard Kit (for use with ECL-230D-PH)
- RC65 - Rim Cylinder
- ECL-1595 - Standard cylinder collar for ECL-230D or ECL-230D-PH
- DX Bolts for hinge locking

---

#### Technical Information

- Bolts - case hardened, heat treated and zinc plated
- Rods - steel, zinc plated
- Housing - steel, zinc plated

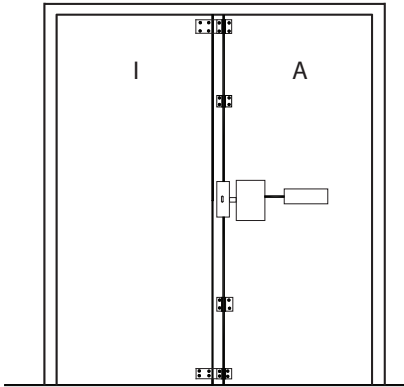


## Riser Diagram

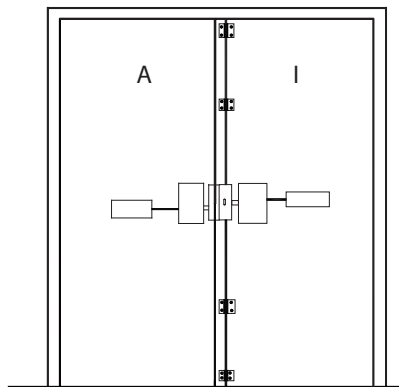
I = Inactive Leaf    A = Active Leaf

A = Active Leaf    I = Inactive Leaf

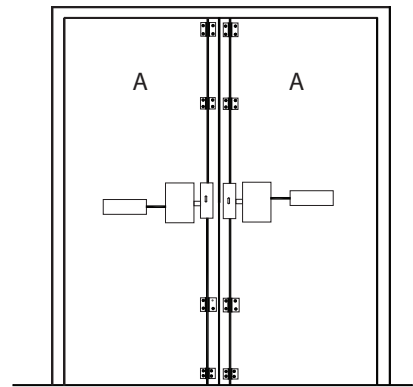
A = Active Leaf



Type "B"



Type "C"



Type "D"

## Listings and Approvals



"U.L. Listed  
Exit Hardware"

## Detex Limited Warranty

3 Year Limited Manufacturers  
Warranty

*Where Trust is Built™*  
**DETEX®**  
*Life Safety and Security Door Hardware*

Detex Corporation  
302 Detex Drive  
New Braunfels, Texas 78130-3045 USA  
PH. (830) 629-2900  
(800) 729-3839  
FAX (830) 620-6711  
(800) 653-3839  
<http://www.detex.com>  
USA Sales:  
[marketing@detex.com](mailto:marketing@detex.com)  
International Sales:  
[export@detex.com](mailto:export@detex.com)

# *Life Safety and Security Door Hardware*



**EXIT ALARMS**

# EAX<sup>®</sup>-500 HOW TO ORDER

## EXTENDED BYPASS

- 0 = Alarm must be manually turned off
- 2 = 2 min. Auto Re-arm
- 3 = 10 min. Auto Re-arm
- 4 = 20 min. Auto Re-arm

## TIMED BYPASS

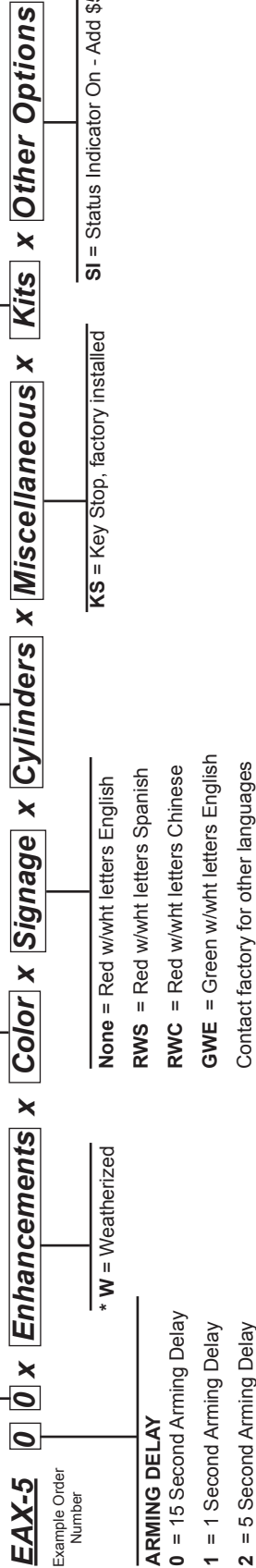
- 5 = Alarm sounds if door is open after arming delay. Manual Re-arm only

- \* **SK1** = Kit allows for wall mounting, includes (1) MS-1039S door contact - Add \$45
- \* **SK2** = Kit allows for wall mounting, includes (2) MS-1039S door contacts - Add \$90
- \* **SK3** = Kit allows for wall mounting, includes (1) MS-1059S door contact - Add \$45
- \* **SK4** = Kit allows for wall mounting, includes (2) MS-1059S door contacts - Add \$90
- \* **SK5** = Kit allows for wall mounting, includes (1) MS-2049 door contact - Add \$83
- \* **SK6** = Kit allows for wall mounting, includes (2) MS-2049 door contacts - Add \$166

**MC65** = Mortise Cylinder, factory installed

**IC7** = 7-pin IC Cylinder Housing (core not included), factory installed

**None** = Gray (Std.)  
**BK** = Black



\* SK1 thru SK6 Kit Options not available in Weatherized

# EAX® EXIT ALARMS

## EAX-500

### Battery Powered Door or Wall Mount Exit Alarm

The Detex EAX-500 Series is designed for applications requiring an alarmed exit device on secured doors. The alarm, with approximately 100dB, will sound when an unauthorized exit occurs. The EAX-500, with its redesigned shape and smaller size make it the ideal choice for quick and easy installations on emergency exit and restricted doors.

Shown with cylinder (cylinder sold separately)



#### Benefits

- Low cost, self-contained door alarm with piezo horn that sounds to warn unauthorized use of a door or gate
- Secure, tamper resistant housing
- Quick, easy installation saves time and money

#### Features

- Patented plastic template allows for foolproof alignment of internal magnetic door contact and accurate installation
- Patented cam assembly automatically adjusts for different sizes of cylinders without use of spacers
- Modern graphics on cover to demonstrate key rotation and operation
- Tapered cover allows for installation on narrow stile doors, 2" minimum
- Alarm can only be silenced by proper control key
- 9VDC battery operated with Low Battery Alert
- Intelligent circuit senses the external magnet location automatically and sets the correct door handing
- Extended bypass (now a standard feature) allows alarm to remain bypassed when door is open and automatically rearm upon door closing
- LED visual and audible arming indicators
- Field selectable 2-minute auto rearm, if desired
- 100 dB piezo alarm
- Field selectable status indicators, if desired

#### Mechanical Options

- EAX-500 may be ordered in several kit configurations:
  - SK1 Kit allows for wall mounting and includes (1) white MS-1039S door contact
  - SK2 Kit allows for wall mounting and includes (2) white MS-1039S door contacts
  - SK3 Kit allows for wall mounting and includes (1) brown MS-1059S door contact
  - SK4 Kit allows for wall mounting and includes (2) brown MS-1059S door contacts
  - SK5 Kit allows for wall mounting and includes (1) grey MS-2049S door contact
  - SK6 Kit allows for wall mounting and includes (2) grey MS-2049S door contacts
- EAX-500SK includes exit alarm prepped for wall mounting, mortise cylinder and surface magnetic door contacts - specify cover lock # - additional surface contacts can be ordered separately
- OKC - Outside Key Control (Rim Cylinder required)
- KS - Key Stop (Key removed only when armed)

## Electrical Options

Other EAX Exit Alarms Include:

- EAX-500W- Weatherized Battery Powered
- EAX-2500 - AC Powered
- EAX-3500 includes timed bypass alarm, rechargeable battery (mortise cylinder sold separately)

- EAX-3500FK includes timed bypass alarm, rechargeable battery, flush magnetic switch and plug-in 24VDC transformer

- EAX-3500SK includes timed bypass alarm, rechargeable battery, surface magnetic switch and plug-in 24VDC transformer

## Accessories

- IC7 - Interchangeable mortise cylinder
- MC65 - Mortise cylinder

## Technical Information

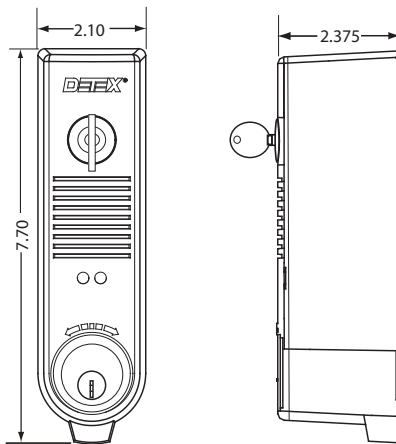
- Machine and Self-Drilling Screws (Std.)
- Optional Sex Nuts or Security Torx Screws available

## Finishes

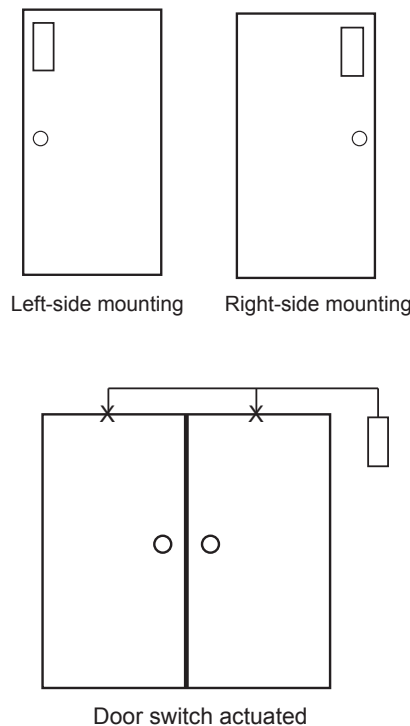
- GY - Grey
- BK - Black

## Dimensions

Front and Side View



## Riser Diagram



## Detex Limited Warranty

3 Year Limited Manufacturer's Warranty

## Listings and Approvals



UL Classified  
Miscellaneous Fire  
Door Accessory



ANSI/BHMA Certified  
A156.29

Double door application as shown above available with EAX-500, EAX-2500 and EAX-3500.

**Note:** Double door application as shown above **not** available with EAX-500W weatherized alarm.

Where Trust is Built™  
**DETEX**®  
Life Safety and Security Door Hardware

Detex Corporation  
302 Detex Drive  
New Braunfels, Texas 78130-3045 USA  
PH. (830) 629-2900  
(800) 729-3839  
FAX (830) 620-6711  
(800) 653-3839  
<http://www.detex.com>  
USA Sales:  
[marketing@detex.com](mailto:marketing@detex.com)  
International Sales:  
[export@detex.com](mailto:export@detex.com)

# EAX® EXIT ALARMS

## EAX-500W

### Battery Powered Door Mounted Weatherized Exit Alarm

The Detex EAX-500W Weatherized Exit Alarm is designed for applications that require an alarm on secured doors, particularly emergency exits that open to the outdoors or wet environment. The alarm, with approximately 100dB, will sound when an unauthorized exit occurs. The EAX-500W, with its redesigned shape and smaller size, make it the choice for quick and easy installations on emergency exit and restricted doors and gates.

Shown with mortise cylinder  
(cylinder sold separately)



#### Benefits

- Low cost, self-contained door alarm with piezo horn that sounds to warn unauthorized use of a door or gate
- Weatherized for outdoor environments
- Secure, tamper resistant housing
- Quick, easy installation saves time and money

#### Features

- Patented plastic template allows for foolproof alignment of internal magnetic door contact and accurate installation
- Tapered cover allows for installation on narrow stile doors, 2" minimum
- Intelligent circuit senses the external magnet location automatically and sets the correct door handing
- Patented cam assembly automatically adjusts for different sizes of cylinders without use of spacers
- Alarm can only be silenced by proper control key
- Extended bypass (now a standard feature) allows alarm to remain bypassed when door is open and automatically rearm upon door closing
- Modern graphics on cover to demonstrate key rotation and operation
- 100 dB piezo alarm
- 9VDC battery operated with Low Battery Alert
- LED visual and audible arming indicators
- Field selectable 2-minute auto rearm, if desired
- Field selectable status indicators, if desired
- Weatherized electronics certified to Driving Rain and Salt Fog Test (see Listings and Approvals)

#### Mechanical Options/Accessories

- KS - Key Stop (Key removed only when armed)
- MC65 - Detex Mortise Cylinder pre-installed at factory
- IC7 - 7 pin interchangeable core housing, pre-installed at factory (Compatible with most standard 7 pin IC format cores)
- OKC - Outside Key Control (Rim Cylinder required)

## Electrical Options

Other EAX Exit Alarms (non Weatherized) Include:

- EAX-500 - Battery Powered
- EAX-2500 - AC Powered
- EAX-3500 - Timed Bypass and Rechargeable Battery

Other Weatherized EAX Exit Alarms Include:

- EAX-500W - Battery Powered, Timed Bypass

## Technical Information

• Door Types - Wood, Hollow Metal, Fiberglass or Aluminum

• Inswinging door applications use accessory PN 102644 (Inswing Door Kit)

• Machine and sheet metal screws (Std.)

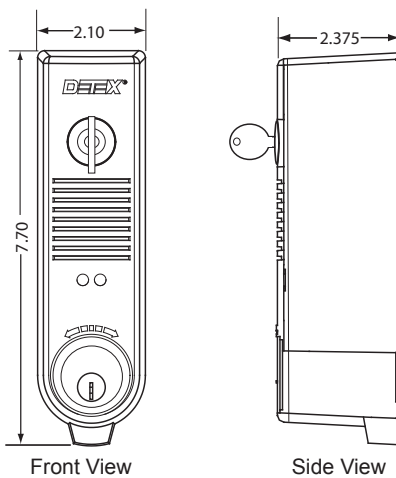
## Finishes

• GY - Grey

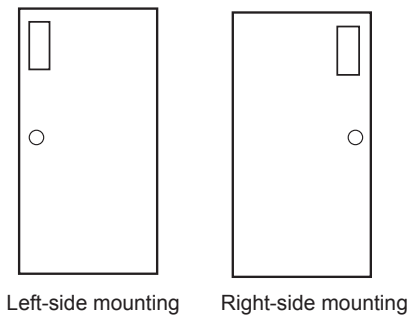
• BK - Black

## Dimensions

Front and Side View



## Riser Diagram



## Detex Limited Warranty

3 Year Limited Manufacturer's Warranty

## Listings and Approvals



"UL Listed Miscellaneous  
Fire Door Accessory"

MIL-STD 810F, Method 506.4  
(Driving Rain Test)

MIL-STD 810F, Method 509.4  
(Salt Fog Test)



ANSI/BHMA  
A156.29

*Where Trust is Built™*  
**DETEX®**  
*Life Safety and Security Door Hardware*

Detex Corporation  
302 Detex Drive  
New Braunfels, Texas 78130-3045 USA  
PH. (830) 629-2900  
(800) 729-3839  
FAX (830) 620-6711  
(800) 653-3839  
<http://www.detex.com>  
USA Sales:  
[marketing@detex.com](mailto:marketing@detex.com)  
International Sales:  
[export@detex.com](mailto:export@detex.com)

# EAX<sup>®</sup>-2500 HOW TO ORDER

## EXTENDED BYPASS

- 0** = Alarm must be manually turned off; or may be field selected for 2 min. Auto Re-arm
- 3** = Alarm must be manually turned off; or may be field selected for 10 min. Auto Re-arm
- 4** = Alarm must be manually turned off; or may be field selected for 20 min. Auto Re-arm

**EAX-25**

**0 0**

Example Order Number

## ARMING DELAY

- 0** = 15 Second Arming Delay
- 1** = 1 Second Arming Delay
- 2** = 5 Second Arming Delay

**None** = Gray (Std.)

**BK** = Black

**MC65** = Mortise Cylinder, factory installed

**IC7** = 7-pin IC Cylinder Housing (core not included), factory installed

**IN** = Includes 220 Transformer

**277** = Includes 277 Transformer

**L9** = Remove 9 volt Backup Battery

**SI** = Status Indicator On

**x Color x Signage x Cylinders x Misc. Options x Power**

## BACK BOX

**None** = No back box (Std.)

**S** = Surface Mounting

**F** = Flush Mounting

**SK** = Surface Kit: Surface mount back box, 24 VAC transformer, surface door contacts

**FK** = Flush Kit: Flush mount back box, 24 VAC transformer, flush door contacts

**C** = Conversion kit for retrofit from EA-2500F

**None** = Red w/wht letters English

**RWS** = Red w/wht letters Spanish

**RWC** = Red w/wht letters Chinese

**GWE** = Green w/wht letters English

Contact factory for other languages

**KS** = Key Stop, factory installed



# EAX® SERIES

## EAX-2500

### AC/DC External Powered Wall Mount Exit Alarm

The Detex EAX-2500 Series Exit Alarm is designed for applications requiring a hardwired AC/DC alarm on secure doors. The alarm, with approximately 100dB, will sound when an unauthorized exit occurs. The smaller size of the EAX-2500, which is designed to fit in a standard 4"x4" outlet box, makes it the choice for quick and easy installations on emergency exit and restricted doors.



Specify EAX-2500SxMC65



Specify EAX-2500SxBKxMC65

#### Benefits

- Field selectable features allow customer to choose status indicators and auto rearm options
- 100dB piezo horn provides security for restricted doors
- Easy to install using ordinary tools to save time and money
- New graphics on cover are easy to understand and make key operation simple
- Available in either gray or black to blend with any décor

#### Features

- Surface and flush mount available using 4"x4" double switch/outlet box
- Patented cam assembly automatically adjusts for different size cylinders without spacers
- Inside Key Control uses mortise cylinder with standard Yale cam
- AC/DC hardwired power with optional 9VDC backup battery
- Low battery alert is field selectable
- Silent arming feature is field selectable
- Tamper resistant housing and cover protects electronics
- Extended bypass allows alarm to remain silenced when door is open and automatically rearm upon closing of door
- Relay output for signaling external accessories

#### Mechanical Options

- KS - Key Stop (Key removed only when armed)
- EAX-2500 Flush or Surface
- EAX-2500FK1 - Complete kit contains alarm, warning sign, flush back box, flush magnetic switch and 24VAC transformer (add suffix "xMC65 or xIC7" to include factory installed cylinder)
- EAX-2500SK1 - Complete kit contains alarm, warning sign, surface back box, surface magnetic switch and 24VAC transformer (add suffix "xMC65 or xIC7" to include factory installed cylinder)

## Other EAX Exit Alarms Include

- EAX-500 - Battery Powered
- EAX-500W - Weatherized Battery Powered
- EAX-3500 - Timed Bypass and Rechargeable Battery
- EAX-300 - Door Prop
- EAX-300W - Weatherized Door Prop

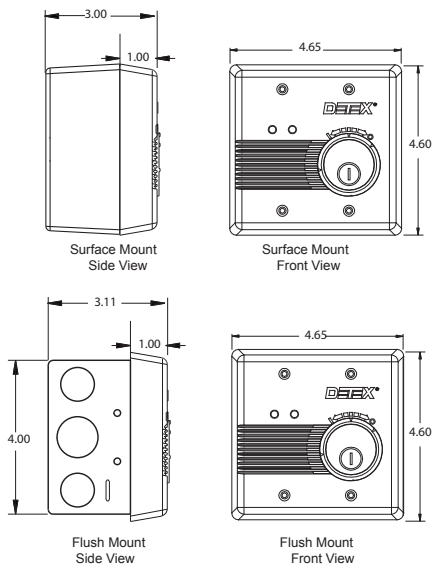
## Accessories

- IC7 - Interchangeable mortise cylinder (can be factory installed)
- MC65 - Mortise cylinder (can be factory installed)
- MS-2049, MS-1039, MS-1059 - Magnetic Switch
- Optional Cylinder Nut Wrench P/N: 103779

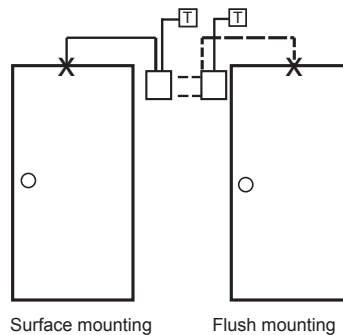


## Dimensions

Front and Side View



## Riser Diagram



Door switch actuated

Double door application as shown above available with EAX-500, EAX-300, EAX-2500 and EAX-3500.

**Note:** Double door application as shown above **not** available with EAX-300W or EAX-500W weatherized alarms.

## Detex Limited Warranty

3 Year Limited Manufacturers Warranty

*Where Trust is Built™*  
**DETEX®**  
*Life Safety and Security Door Hardware*

Detex Corporation  
 302 Detex Drive  
 New Braunfels, Texas 78130-3045 USA  
 PH. (830) 629-2900  
 (800) 729-3839  
 FAX (830) 620-6711  
 (800) 653-3839  
<http://www.detex.com>  
 USA Sales:  
[marketing@detex.com](mailto:marketing@detex.com)  
 International Sales:  
[export@detex.com](mailto:export@detex.com)

# EAX® EXIT ALARMS

## EAX-3500

### Timed Bypass Exit Alarm and Rechargeable Battery

The Detex EAX-3500 is designed for applications requiring a hard-wired, timed-bypass alarm with rechargeable backup battery. The 100dB alarm will sound when someone attempts an unauthorized exit. The EAX-3500 can be temporarily bypassed for deliveries and trash removal, but reminds manager to close and secure the door.

Shown with cylinder (mortise cylinder sold separately)



#### Benefits

- Allows manager to temporarily bypass the alarm, but does not allow the alarm to be turned off
- Reminds manager to close and secure the door, minimizing door prop time
- Minimizing door prop time saves energy costs
- Minimizing door prop time reduces exposure to theft and threat of robbery
- Simple, on-the-cover instructions make operation easy
- LEDs illustrate armed status and bypass time, allowing quick easy reference
- Alarm demands attention even in noisy environments
- Tamper-resistant housing and circuits prevent dishonest employees from defeating alarm
- Mortise cylinder sold separately, allowing alarm to be keyed to existing master-key system, helping to maintain key control

#### Features

- Hard-wired low voltage power with rechargeable battery insures uninterrupted secure power feed
- Maximum allowable bypass time can be factory set or field-adjusted to 5, 10, 20 or 40 minutes
- Bypass time is easily set using two simple slide jumpers, located inside secured enclosure
- 100dB alarm, powered by 12 to 24 VAC and rechargeable backup battery (included)
- Low battery alert
- Rechargeable backup battery provides 72-hours of operation
- Timed bypass allows alarm to remain bypassed for allotted minutes, automatically rearming upon door closing
- Accepts 5, 6 or 7-pin standard and interchangeable core mortise cylinders with a standard Yale cam
- Patented cam assembly automatically adjusts for different size/length cylinders without the use of additional spacers or cylinder collars
- Resetting the alarm can only be accomplished with a control key

#### Mechanical Options

- EAX-3500 includes surface mount timed-bypass alarm, rechargeable battery (mortise cylinder sold separately)
- EAX-3500SK includes surface mount timed-bypass alarm, rechargeable battery, surface magnetic switch and plug-in 24VAC transformer (mortise cylinder sold separately)
- EAX-3500FK includes flush mount timed-bypass alarm, rechargeable battery, flush magnetic switch and plug-in 24VAC transformer (mortise cylinder sold separately)

**Accessories**

- IC7 - Interchangeable core mortise cylinder
- MC65 - Mortise cylinder
- Optional Cylinder Nut Wrench P/N: 103779

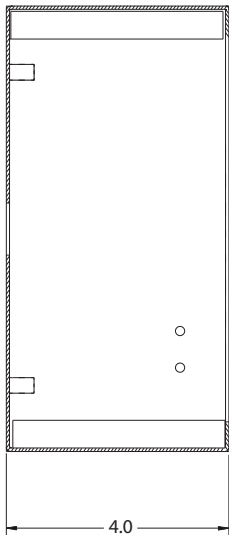


**Technical Information**

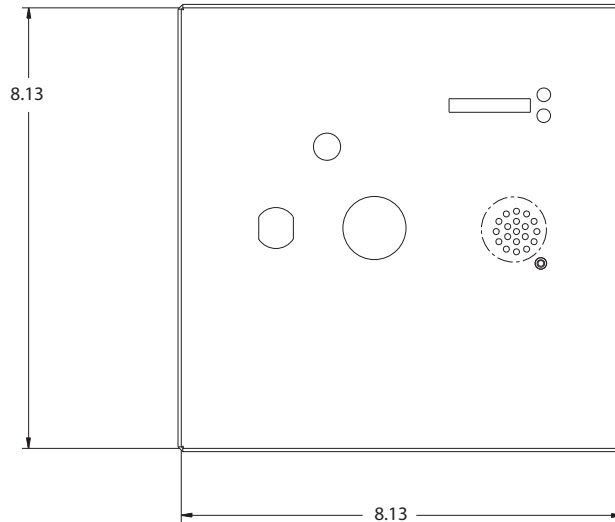
- Machine and Self Drilling Screws (Std.)
- Amp Draw - .083 Amps @ 24 VDC (Alarmed)
- .110 Amps @ 24 VDC (Door Prop)

**Dimensions**

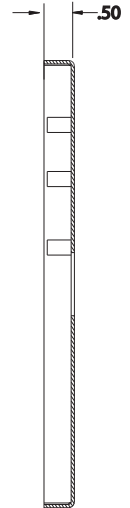
Back - Side View



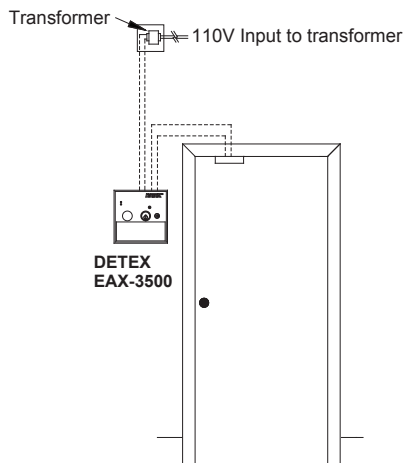
Front View



Cover - Side View



**Riser Diagram**



**Listings and Approvals**



“UL Listed”



ANSI/BHMA Certified  
A156.29

**Detex Limited Warranty**

3 Year Limited Manufacturers  
Warranty



Detex Corporation  
302 Detex Drive  
New Braunfels, Texas 78130-3045 USA  
PH. (830) 629-2900  
(800) 729-3839  
FAX (830) 620-6711  
(800) 653-3839  
<http://www.detex.com>  
USA Sales:  
[marketing@detex.com](mailto:marketing@detex.com)  
International Sales:  
[export@detex.com](mailto:export@detex.com)

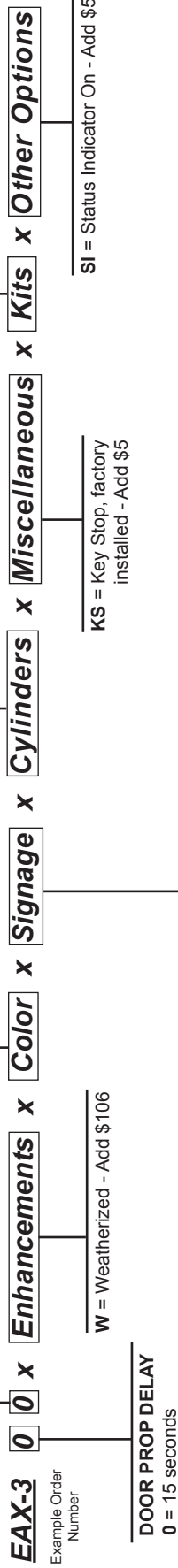
# EAX<sup>®</sup>-300 HOW TO ORDER

- SK1** = Kit allows for wall mounting, includes (1) MS-1039S door contact - Add \$45
- SK2** = Kit allows for wall mounting, includes (2) MS-1039S door contacts - Add \$90
- SK3** = Kit allows for wall mounting, includes (1) MS-1059S door contact - Add \$45
- SK4** = Kit allows for wall mounting, includes (2) MS-1059S door contacts - Add \$80
- SK5** = Kit allows for wall mounting, includes (1) MS-2049 door contact - Add \$83
- SK6** = Kit allows for wall mounting, includes (2) MS-2049 door contacts - Add \$166

- \* " " = No Cylinder
- C65** = Mortise Cylinder, factory installed - Add \$60
- IC7** = 7-pin IC Cylinder Housing (core not included), factory installed - Add \$60
- IK7** = Cylinder InstaKey Housing (core not included), factory installed - Add \$80.00

- \* **None** = Gray (Std.)
- BK** = Black

**MODE**  
 \* **0** = Door Prop  
**1** = Door Chime



- None** = Red w/wht letters English
  - RWS** = Red w/wht letters Spanish
  - RWC** = Red w/wht letters Chinese
  - GWE** = Green w/wht letters English
- Contact factory for other languages

**NOTE:** \* = default

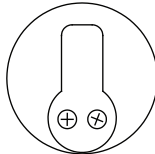
# EAX® EXIT ALARMS

## EAX-300

### Battery Powered Door Propped Alarm

The Detex EAX-300 Series is designed for applications where doors may be used for egress or ingress, but may not be held or propped open. Door open times from 1 second to 4 minutes (15 second default) are field selectable. The smaller size makes installation quick and easy.

Shown with mortise cylinder  
(cylinder sold separately)



### Benefits

- Low cost, solution to propped open doors
- Helps keep energy costs down by ensuring doors are closed
- Alarm silences when door is closed, no waiting for key-holder to arrive
- Quick, easy installation saves time and money

### Features

- Secure, tamper resistant housing
- Patented plastic template assures accurate installation by providing foolproof alignment with internal magnetic door contact
- Tapered cover allows for installation on narrow stile doors, 2" minimum
- Intelligent circuit senses the external magnet location automatically and sets the correct door handing
- 100 dB piezo alarm
- 9VDC battery operated with Low Battery Alert
- LED visual arming indicators

### Mechanical Options

- EAX-300 may be ordered in several kit configurations:
  - SK1 Kit allows for wall mounting and includes (1) white MS-1039S door contact
  - SK2 Kit allows for wall mounting and includes (2) white MS-1039S door contacts
  - SK3 Kit allows for wall mounting and includes (1) brown MS-1059S door contact
  - SK4 Kit allows for wall mounting and includes (2) brown MS-1059S door contacts
  - SK5 Kit allows for wall mounting and includes (1) grey MS-2049S door contact
  - SK6 Kit allows for wall mounting and includes (2) grey MS-2049S door contacts
- KS - Key Stop, factory installed
- SI - Status Indicator On

## Electrical Options

- Weatherized for use on gates or doors that are subjected to inclement weather

## Accessories

- MC65 - Mortise Cylinder
- IC7 - 7 pin IC Cylinder Housing
- IK7 - Cylinder InstaKey Housing

## Technical Information

- Machine and self-drilling screws
- Optional Cylinder Nut Wrench  
P/N: 103779

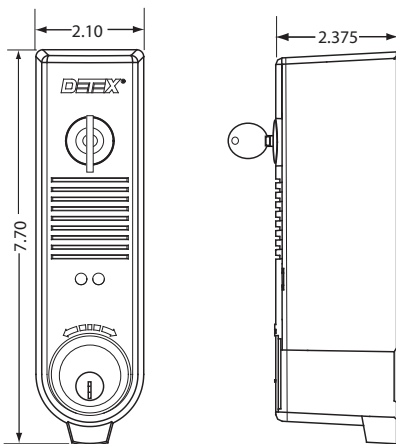


## Finishes

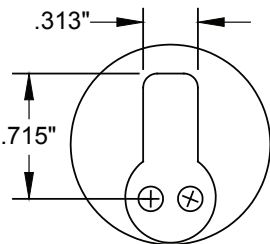
- GY - Grey
- BK - Black

## Dimensions

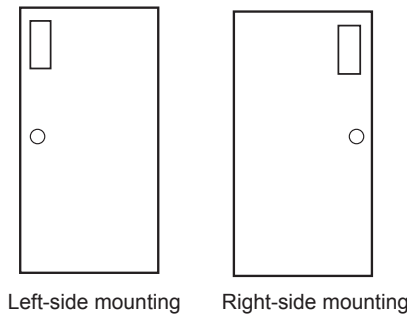
Front and Side View



Mortise Cylinder (sold separately) - dimensions approximate

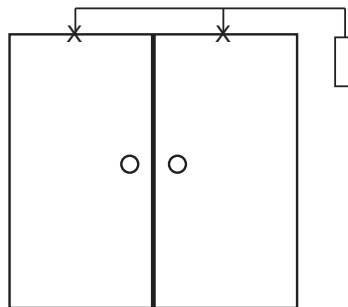


## Riser Diagram



Left-side mounting

Right-side mounting



Door switch actuated

## Detex Limited Warranty

3 Year Limited Manufacturers Warranty

## Listings and Approvals



"UL Listed Miscellaneous Fire Door Accessory"



ANSI/BHMA A156.29

*Where Trust is Built™*  
**DETEX®**  
*Life Safety and Security Door Hardware*

Detex Corporation  
302 Detex Drive  
New Braunfels, Texas 78130-3045 USA  
PH. (830) 629-2900  
(800) 729-3839  
FAX (830) 620-6711  
(800) 653-3839  
<http://www.detex.com>  
USA Sales:  
[marketing@detex.com](mailto:marketing@detex.com)  
International Sales:  
[export@detex.com](mailto:export@detex.com)

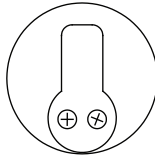
# EAX® EXIT ALARMS

## EAX-300W

### Battery Powered Weatherized Door Propped Alarm

The Detex EAX-300W Series is designed for applications where doors that open to the outdoors or wet environments may be used for egress or ingress, but may not be held or propped open. Door open times from 1 second to 4 minutes (15 second default) are field selectable. The smaller size makes installation quick and easy on doors or gates.

Shown with mortise cylinder  
(cylinder sold separately)



#### Benefits

- Low cost, solution to propped open doors
- Helps keep energy costs down by ensuring doors are closed
- Alarm silences when door is closed, no waiting for key-holder to arrive
- Weatherized for use on gates or doors that are subjected to inclement weather
- Quick, easy installation saves time and money

#### Features

- Secure, tamper resistant housing
- Tapered cover allows for installation on narrow stile doors, 2" minimum
- 100 dB piezo alarm
- Patented plastic template assures accurate installation by providing foolproof alignment with internal magnetic door contact
- Intelligent circuit senses the external magnet location automatically and sets the correct door handing
- 9VDC battery operated with Low Battery Alert
- Weatherized electronics certified to driving rain and salt fog test (see Listings & Approvals)
- LED visual arming indicators

#### Mechanical Options

- KS - Key Stop, factory installed (always armed when key removed)
- SI - Status Indicator On

#### Accessories

- MC65 - Mortise Cylinder
- IC7 - 7 pin IC Cylinder Housing
- IK7 - Cylinder InstaKey Housing
- Optional Cylinder Nut Wrench  
P/N: 103779





## Electrical Options

Other EAX Door-Proppped Alarms (non Weatherized) Include:

- EAX-300 - Battery Powered

Other EAX Exit Alarms (non Weatherized) Include:

- EAX-500 - Battery Powered
- EAX-2500 - AC Powered
- EAX-3500 - Timed Bypass and Rechargeable Battery

Other Weatherized EAX Exit Alarms Include:

- EAX-500W - Battery Powered, Timed Bypass

## Technical Information

• Door Types - Wood, Hollow Metal, Fiberglass or Aluminum

• Inswinging door/gate applications use accessory PN 102644 (Inswing Door Kit)

• Machine and self-drilling screws

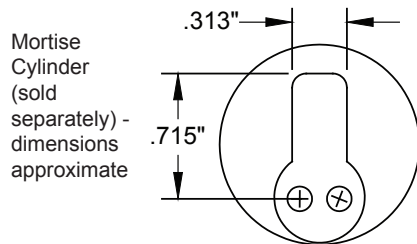
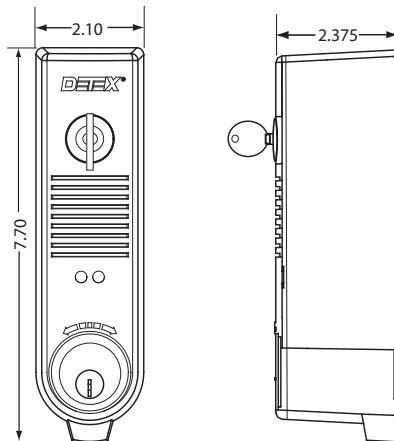
## Finishes

• GY - Grey

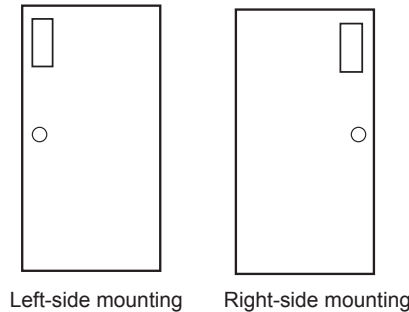
• BK - Black

## Dimensions

Front and Side View



## Riser Diagram



## Detex Limited Warranty

3 Year Limited Manufacturers Warranty

## Listings and Approvals



"UL Listed Miscellaneous Fire Door Accessory"

MIL-STD 810F, Method 506.4 (Driving Rain Test)

MIL-STD 810F, Method 509.4 (Salt Fog Test)



ANSI/BHMA A156.29

*Where Trust is Built™*  
**DETEX®**  
*Life Safety and Security Door Hardware*

Detex Corporation  
 302 Detex Drive  
 New Braunfels, Texas 78130-3045 USA  
 PH. (830) 629-2900  
 (800) 729-3839  
 FAX (830) 620-6711  
 (800) 653-3839  
<http://www.detex.com>  
 USA Sales:  
[marketing@detex.com](mailto:marketing@detex.com)  
 International Sales:  
[export@detex.com](mailto:export@detex.com)

# **EAX® SERIES**

## **EAX-411SK**

### **Door Prop Alarm**

---

The EAX-411SK AC powered door prop alarm provides a unique solution to the common security challenge associated with doors that are propped open. Helping to enhance access control systems and provide additional perimeter security, the EAX-411SK provides a custom fit for each opening with its 0 to 60 second adjustable “door open” time. When a door is left open longer than the set time, the alarm will sound. The EAX-411SK will automatically reset when the door is closed.

Specify the EAX-411SK kit which includes the ES-411, finished S1 back box, plug-in transformer and MS-1039S magnetic switch.



#### **Benefits**

---

- Alarm encourages door users to keep door closed
- Localized alarm notifies area personnel of security breach/ door prop condition
- Eliminating door propping helps save on energy costs
- Remote relay allows monitoring of door status from management office or guard station
- Reduces false alarms

#### **Features**

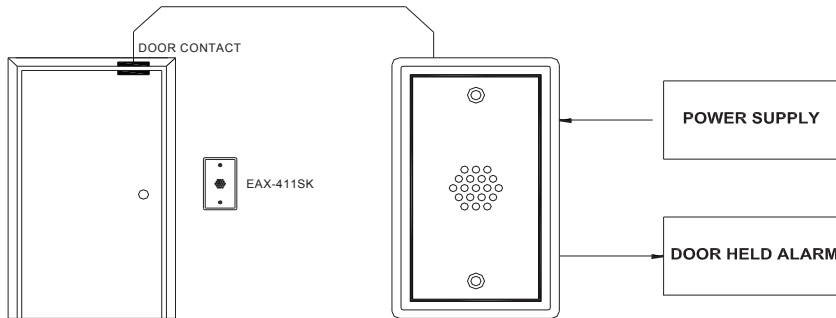
---

- Stand alone device
- Integrates into any access control system
- Kit includes transformer and magnetic door contact
- 90dB alarm easily warns of door prop status
- Adjustable alarm delay time 0 to 60 seconds
- Alarm status relay for remote annunciation (zone monitoring)
- Automatic alarm reset/rearm upon closure of door
- Mounts in a 1 gang box (included in SK Kit)
- Flush mount, aesthetically pleasing

## Technical Information

- 12 or 24 VAC/VDC @ 70 mA
- Input - Normally Closed Door Contact
- Output - Normally Closed Door Held Alarm (500mA @ 30VDC)

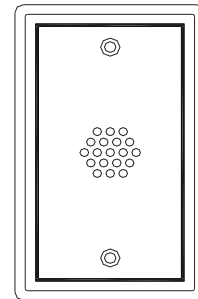
## Riser Diagram



## Finishes

- Painted Beige

## Dimensions



2-3/4" Wide x 4-5/8" High x 2" Deep

## Detex Limited Warranty

3 Year Limited Manufacturers Warranty

*Where Trust is Built™*  
**DETEX®**  
*Life Safety and Security Door Hardware*

Detex Corporation  
302 Detex Drive  
New Braunfels, Texas 78130-3045 USA  
PH. (830) 629-2900  
(800) 729-3839  
FAX (830) 620-6711  
(800) 653-3839  
<http://www.detex.com>  
USA Sales:  
[marketing@detex.com](mailto:marketing@detex.com)  
International Sales:  
[export@detex.com](mailto:export@detex.com)

# EAX® SERIES

## EAX-4200

### Door Management Alarm

---

The EAX-4200 Series Door Management Alarm offers door prop/door held, intrusion/door forced, and exit alarm detection capabilities to provide complete monitoring of access control points in one easy to use master unit. The DMA may also be used as a stand-alone device. The unit is typically mounted near the monitored door.

Specify the EAX-4200SK kit which includes ES4200-K4, RC65 rim cylinder, S3 finished back box, TP-24 plug-in transformer and MS-1039S mag switch.



---

#### Benefits

- Audible warning reduces false door held alarms
- Reduces workload of security personnel
- Aesthetically pleasing design
- Flexible interfacing with electric door locks
- Compatible with all access control systems
- Tamper resistant
- Encourages employees to maintain access control procedures
- Can be used as a stand-alone product
- Easy installation

---

#### Features

- Kit packaging provides all required accessories in one box
- Field selectable alarm timing and alarm delay option
- Alarm status relay for remote annunciation
- Field selectable high or low level sounder
- Automatic alarm reset/rearm upon closure of door
- Mounts in a 3 gang box (included in kit)
- Uses standard rim cylinder
- Visual Status indicator
- Incorporates form C output relays
- Flush mount
- Reset/bypass keyswitch and remote input

## Mechanical Options

- Key switch for alarm/shunt override
- Timer settings are field adjustable

## Electrical Options

- Voltage sense input
- 4 separate Form C contacts - 1Amp @ 30VDC

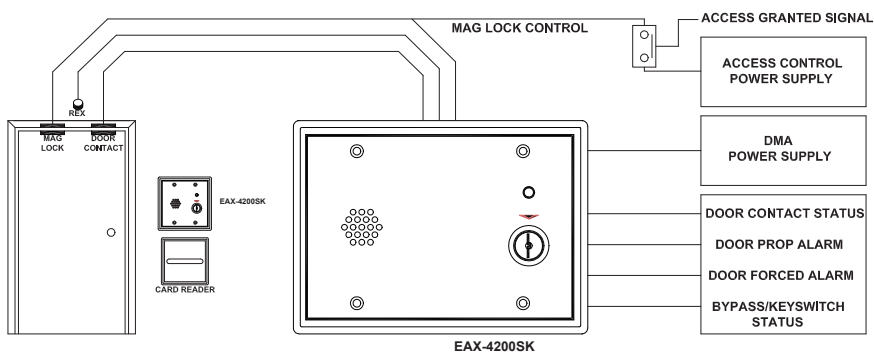
## Technical Information

- 12 to 24VAC/VDC @ 250 mA
- 96 and 103dB field selectable

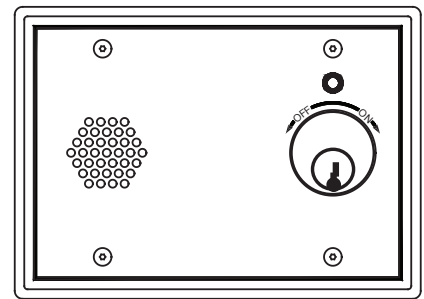
## Finishes

- Painted aluminum

## Riser Diagram



## Dimensions



- 6.4" w x 4.5" h x 2.32" d

## Detex Limited Warranty

3 Year Limited Manufacturers Warranty

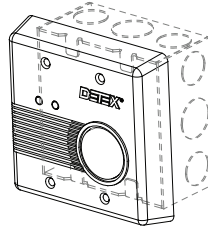
*Where Trust is Built™*  
**DETEX®**  
*Life Safety and Security Door Hardware*

Detex Corporation  
302 Detex Drive  
New Braunfels, Texas 78130-3045 USA  
PH. (830) 629-2900  
(800) 729-3839  
FAX (830) 620-6711  
(800) 653-3839  
<http://www.detex.com>  
USA Sales:  
[marketing@detex.com](mailto:marketing@detex.com)  
International Sales:  
[export@detex.com](mailto:export@detex.com)

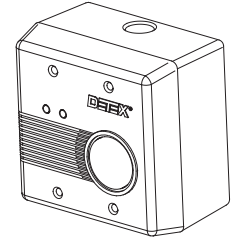
# REMOTE ALARMS

## CS-940/950F; CS-940/950S; CS-2940/2950F; CS-2940/2950S

The CS-900/2900 Series Remote Alarms are designed to sound an alarm when a signal is sent from a door switch or another alarm. The piercing 100dB alarm will alert management of a security breach even in a noisy environment. When the cause of the alarm has been secured, the remote alarm is automatically silenced.



CS-900/2900F Series  
Flush Remote Alarm



CS-900/2900S Series  
Surface Mounted  
Remote Alarm

### Benefits

- No cylinder required
- No cover lock required
- Saves cost
- Silencing the main alarm automatically resets the remote alarm.

### Features

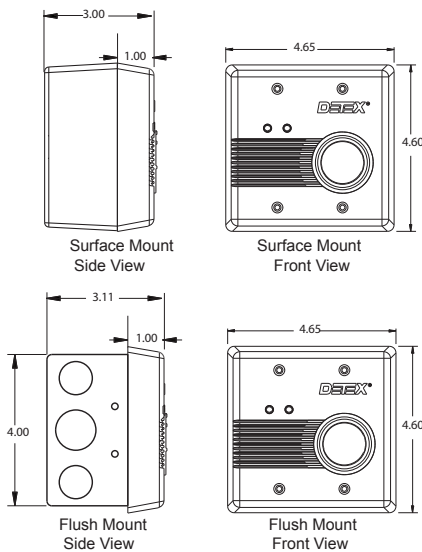
- Installed in a double switch/ outlet box (flush units)
- LED's (green and red)

### Technical Information

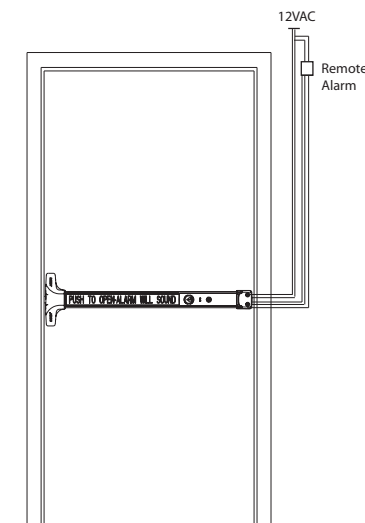
- 9 VDC
- Monitors an open loop

### Dimensions

Front and Side View



### Riser Diagram



Where Trust is Built™  
**DETEX**®  
Life Safety and Security Door Hardware

Detex Corporation  
302 Detex Drive  
New Braunfels, Texas 78130-3045 USA  
PH. (830) 629-2900  
(800) 729-3839  
FAX (830) 620-6711  
(800) 653-3839  
<http://www.detex.com>  
USA Sales:  
[marketing@detex.com](mailto:marketing@detex.com)  
International Sales:  
[export@detex.com](mailto:export@detex.com)

# MAGNETIC SWITCH

## MS-2049F, MS-2049S, MS-2049SC, MS-2049SI

These magnetic switches are designed primarily to serve as sensing devices to detect the opening of a door or window; to assure that a protected door is securely under surveillance; to serve as a trigger for a wall-mounted Detex Exit Alarm; to signal that a door has been inadvertently left open; and to be used as a direct switch to set off many kinds of audio and visual alarms.



MS-2049F Flush  
Magnetic Switch



MS-2049S Surface Mounted  
Magnetic Switch



MS-2049SC Surface Mounted  
Magnetic Switch  
with conduit connector for use  
with thin-wall conduit



MS-2049SI Surface Mounted  
Magnetic Switch  
for In-Swinging Doors

### Benefits

- Provides assurance that protected doors are under surveillance
- Serves as a trigger for alarms or remote monitors
- UL listed for use on fire rated doors and assemblies

### Features

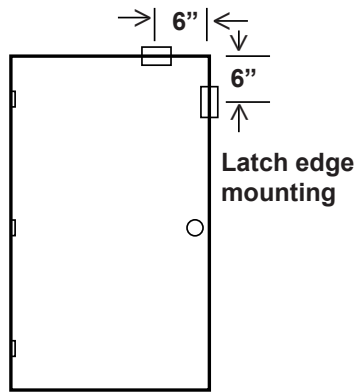
- Tamper protection - mounting screws inaccessible when door closed
- Components potted to protect against shock and moisture
- Easy installation with concealed wiring and color coded leads
- Surface mounted units are housed in a durable high impact ABS thermoplastic, a UL listed material used in the manufacture of telephones, auto bodies, etc.
- Wide range of alarm and signal applications
- Minimizes false signals due to loosely closed doors
- Switch rated for over one million operations under load

### Technical Information

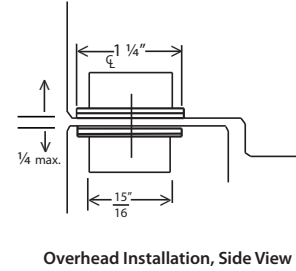
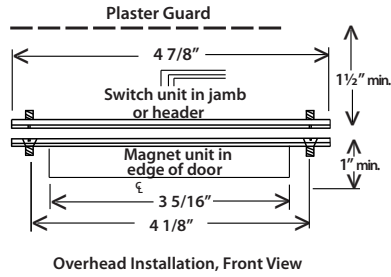
- Maximum contact ratings - 24VDC @ .5A
- For use on steel, aluminum or wood doors and frames
- May be mounted on stiles as narrow as 1-3/8"
- Overhead (preferred) or latch-stile mounting available for all models
- Switch - single pole, double throw (SPDT)
- The flush device (MS-2049F) should have the switch contact housed in the door frame and the magnet mortised in the edge of the door
- Wiring leads, 12" long, color coded, concealed

## Riser Diagram

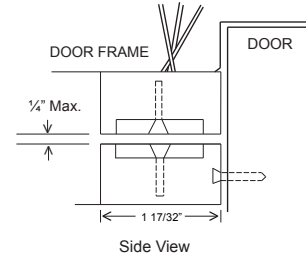
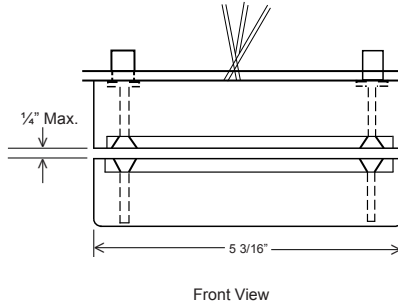
Overhead mounting (preferred)



## Dimensions (MS-2049F)



## Dimensions (MS-2049S)



## Listings and Approvals



"UL Listed Miscellaneous Fire Door Accessories"  
"UL Listed Door Position Switch"

## Detex Limited Warranty

3 Year Limited Manufacturers Warranty

*Where Trust is Built™*  
**DETEX®**  
*Life Safety and Security Door Hardware*

Detex Corporation  
302 Detex Drive  
New Braunfels, Texas 78130-3045 USA  
PH. (830) 629-2900  
(800) 729-3839  
FAX (830) 620-6711  
(800) 653-3839  
<http://www.detex.com>  
USA Sales:  
[marketing@detex.com](mailto:marketing@detex.com)  
International Sales:  
[export@detex.com](mailto:export@detex.com)



# MAGNETIC SWITCH

## MS-1039F, MS-1039S, MS-1059F, MS-1059S

These magnetic switches are designed primarily to serve as sensing devices to detect the opening of a door or window; to assure that a protected door is securely under surveillance; to serve as a trigger for a wall-mounted Detex Exit Alarm; to signal that a door has been inadvertently left open; and to be used as a direct switch to set off many kinds of audio and visual alarms.



MS-1039F (White) / MS-1059F (Brown)  
Flush Magnetic Switch  
(MS-1059F Shown)



MS-1039S (White) / MS-1059S (Brown)  
Surface Mounted  
Magnetic Switch  
(MS-1059S Shown)

### Benefits

- Anti-Tamper Design
- Serves as a trigger for alarms or remote monitors
- Provides assurance that protected doors are under surveillance
- Simple Installation
- BMS - Balanced Magnetic Switch provides improved security

### Features

- Polarity selection is non-critical
- Flush switches are self-locking
- Color selection white/brown
- Flush switches are solid, one-piece design with no need for extra donut adapters
- Durable Magnet
- Wide range of alarm and signal applications

### Technical Information

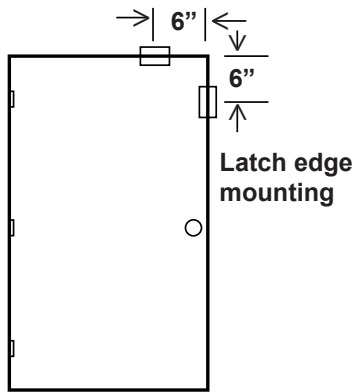
- Surface switches have Max. Contact rating 30VDC @ 250mA
- Flush switches have Max. Contact rating 28VDC, 0.5A, 10W
- For use on steel, aluminum or wood doors and frames
- Overhead (preferred) or latch-stile mounting available for all models
- Switch - single pole, single throw (SPST)
- Normally closed contact
- The MS-1039F (Flush mount) should have the switch contact housed in the door frame and the magnet mortised in the edge of the door

### Finishes

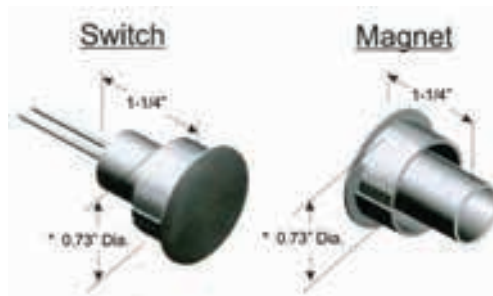
- MS-1039F/S - White
- MS-1059F/S - Brown

## Riser Diagram

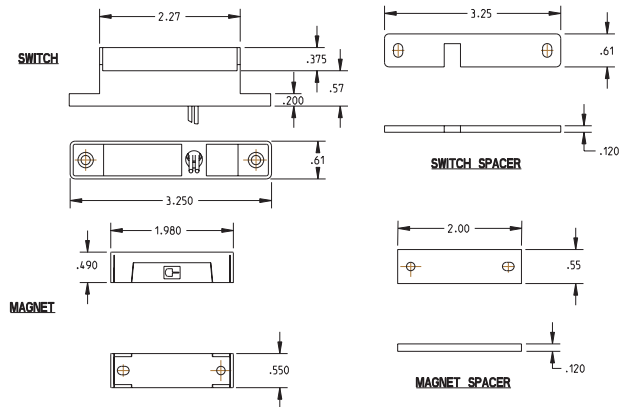
Overhead mounting (preferred)



## Dimensions (MS-1039F/MS-1059F)



## Dimensions (MS-1039S/MS1059S)



**Detex Limited Warranty**  
 3 Years Limited Manufacturers  
 Warranty

*Where Trust is Built™*  
**DETEX®**  
*Life Safety and Security Door Hardware*

Detex Corporation  
 302 Detex Drive  
 New Braunfels, Texas 78130-3045 USA  
 PH. (830) 629-2900  
 (800) 729-3839  
 FAX (830) 620-6711  
 (800) 653-3839  
<http://www.detex.com>  
 USA Sales:  
[marketing@detex.com](mailto:marketing@detex.com)  
 International Sales:  
[export@detex.com](mailto:export@detex.com)

***Life Safety  
and  
Security Door Hardware***



**REDI-KEY**

# REDIKEY KEY VAULT

## FS-3000 FS-3000S

---

The RediKey by Detex is a quick access system designed to provide emergency personnel rapid access to multiple buildings without having to carry numerous keys or change and alter existing locks. When these personnel arrive at the entry door, they unlock the keysafe with a key designed to open all building key safes in their area. They then remove the building entry key and unlock the door to provide the service needed. Featuring the Medeco patented biaxial high-security, drill resistant, mortise cylinder, the RediKey offers the highest security for your building's access key.



---

### Benefits

- Around-the-clock, on-the-spot controlled access for the immediate security or support requirements of your business
- One key allows rapid entry to multiple buildings/facilities
- Empowers approved services like fire departments, police departments, guard service, janitorial services, armored guard services to respond quickly and decisively
- Reduces the costs of managing a large inventory of building facility keys
- Designed for highest security from attack and vandalism

---

### Features

- Pickproof, drill resistant, MEDECO® mortise cylinder
- Restricted Detex Key Control level prevents unauthorized key duplication
- Burglar-proof, hardened steel weather-resistant vault casing
- Tamperproof mounting hardware
- UL rated anti-theft device
- Simple installation usually requires less than 1 hour of labor for doors up to 3" thick, walls and free standing posts

---

### Electrical Options

- Maintained, SPDT switch for use on automatic gates

### Accessories

- Padlock with steel shackle resists cutting or pulling attack

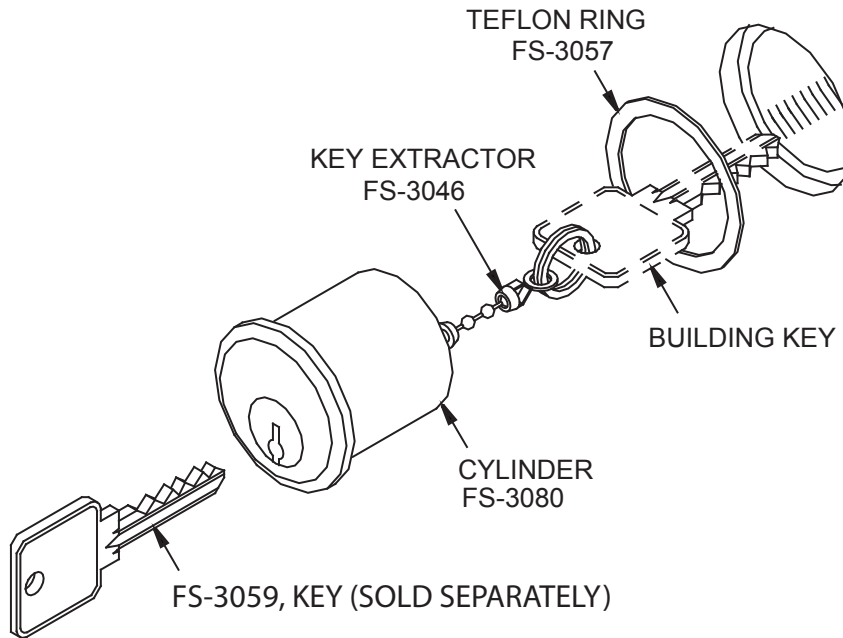
### Dimensions

- \* Dimensions: 4 1/4" long, 1 3/4" diameter
- \* Weight: 2 1/2 pounds

### Detex Limited Warranty

3 Year Limited Manufacturers Warranty

### Cylinder Installation



*Where Trust is Built™*  
**DETEX®**  
*Life Safety and Security Door Hardware*

Detex Corporation  
302 Detex Drive  
New Braunfels, Texas 78130-3045 USA  
PH. (830) 629-2900  
(800) 729-3839  
FAX (830) 620-6711  
(800) 653-3839  
<http://www.detex.com>  
USA Sales:  
[marketing@detex.com](mailto:marketing@detex.com)  
International Sales:  
[export@detex.com](mailto:export@detex.com)

# *Life Safety and Security Door Hardware*



**ACCESS CONTROL**

# STAND ALONE KEYPADS

## DTX-2100 Series

### Single Door Stand Alone Keypad

---

The DTX-2100 keypad uses hardened backlit keys and the DTX-2110 uses metal Braille alpha-numeric keys to ensure long-term durability and high-quality performance. DTX-2100/2110 keypads are designed for both indoor and outdoor surface/flush mount applications. The DTX-2120 mounts directly to mullion door frames or most flat surfaces with no backbox required. The convenience of the built-in doorbell feature on the DTX-2120 with the sleek design make it an easy choice for entrance installations. The electronics for each keypad are conformal coated in order to provide excellent protection from the elements.



**DTX-2100**  
(Backlit Keypad)



**DTX-2110**  
(Durable Metal Keypad - with braille)



**DTX-2120**  
(Mullion Mount Backlit Keypad)

---

### Benefits

- Affordable single-door security application in new or existing structures
- Dependable service and security in most environments
- Easy installation
- Multi-user capabilities
- Controls unauthorized access/ egress
- Flexible programming capable

---

### Features

#### DTX-2100

- 500 users
- Single gang flush mount design
- Backlit hardened keys
- Polycarbonate trim
- Conformal coating
- Light/Medium Duty
- Key press feedback via sounder and yellow LED
- Built-in assignable sounder
- Bi-color Red/Green LED indicates relay status
- Indoor/outdoor use
- Keypad programmable
- DTX-4000 Hub Manager Compatible
- 3 year warranty
- UL 294 Listed

#### DTX-2110

- 500 users
- Single gang flush mount design
- Metal braille alpha-numeric keys
- Brushed metal trim
- Conformal coating
- Harsh conditions/Heavy duty
- Key press feedback via sounder and yellow LED
- Built-in assignable sounder
- Bi-color Red/Green LED indicates relay status
- Indoor/outdoor use
- Keypad programmable
- DTX-4000 Hub Manager Compatible
- 3 year warranty
- UL 294 Listed

#### DTX-2120

- 120 users
- Surface mount - fits on door mullion
- Backlit hardened keys
- Aluminum enclosure
- Conformal coating
- Light/Medium duty
- Door position monitoring
- Door ajar, forced door, alarm shunt outputs
- Sounder
- Indoor/outdoor use
- Door bell relay
- 3 year warranty
- UL 294 Listed

**Features Continued**

**DTX-2100**

- Relay Contact Rating 2A @ 30VAC/DC (Main & Aux.)
- Door Position Inputs
- Request to Exit Input
- Alarm Shunt
- Temperature tolerance: -20F to 130F

**DTX-2110**

- Relay Contact Rating 2A @ 30VAC/DC (Main & Aux.)
- Door Position Inputs
- Request to Exit Input
- Alarm Shunt
- Temperature tolerance: -20F to 130F

**DTX-2120**

- 3 - 1 amp SPDT relays in controller
- Door Position Inputs
- Request to Exit Input
- Alarm Shunt
- Temperature tolerance: -20F to 130F

**Technical Information**

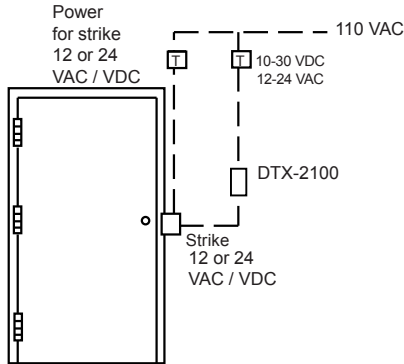
- 10-30 VDC; 12-24 VAC auto-adjusting
- 30 mA

- Power Supply - Plug-In  
Detex P/N - TFMR12 (12VDC) 90-800
- Transformers - Hard Wired  
Detex P/N - PP-5152-2 (24 VAC)  
PP-5152-3 (12 VAC)

(Contact Factory for additional Power Supply Options)

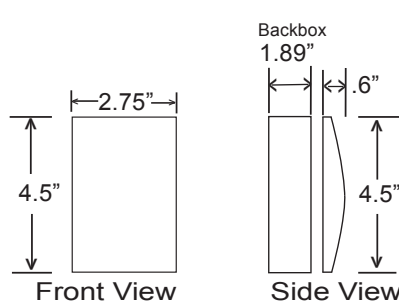
- Electric strike or other locking device powered at 12 or 24 VAC up to 2 amps

**Riser Diagram**

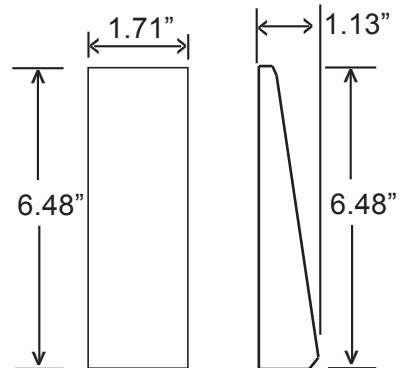


**Dimensions**

**DTX-2100 and DTX-2110**



**DTX-2120**



**Listings and Approvals**



U.L. 294 Listed

**Detex Limited Warranty**

3 Year Limited Manufacturers Warranty



Detex Corporation  
 302 Detex Drive  
 New Braunfels, Texas 78130-3045 USA  
 PH. (830) 629-2900  
 (800) 729-3839  
 FAX (830) 620-6711  
 (800) 653-3839  
<http://www.detex.com>  
 USA Sales:  
[marketing@detex.com](mailto:marketing@detex.com)  
 International Sales:  
[export@detex.com](mailto:export@detex.com)



# Stand-Alone Proximity Reader/Keypad

## DTX-2300 Series

### Single Door Stand Alone Proximity Reader/Keypad

The DTX-2300 is a stand alone single door access control with a proximity reader and keypad. The DTX-2300, when used on it's own, provides cost effective standard access control functionality with the use of it's two relays and two inputs for request to exit and door position. The proximity reader is capable of being mounted up to a maximum of 10 feet away from the DTX-2300 (see image below).



Reader/Keypad



Remove proximity reader from keypad to mount reader and wire up to 10 feet away from DTX-2300 keypad.

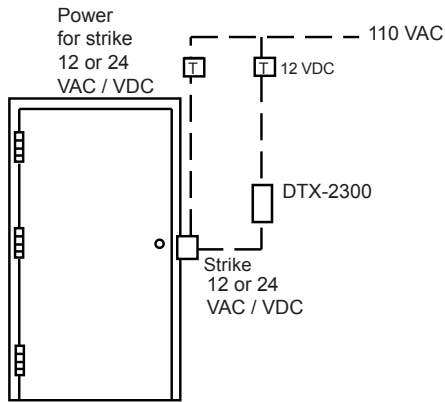
#### Features

- Proximity reader and keypad
- Bi-color LED to indicate operation
- Weather resistant design
- 2000 Users
- HID 26 - 40 bit format card compatibility
- Weigand compatible
- HID Corporate 1000 compatible
- Remote proximity reader mounting and glass mount option
- No audit trail available in stand alone unit
- 3 year warranty
- UL 294 Listed

#### Technical Information

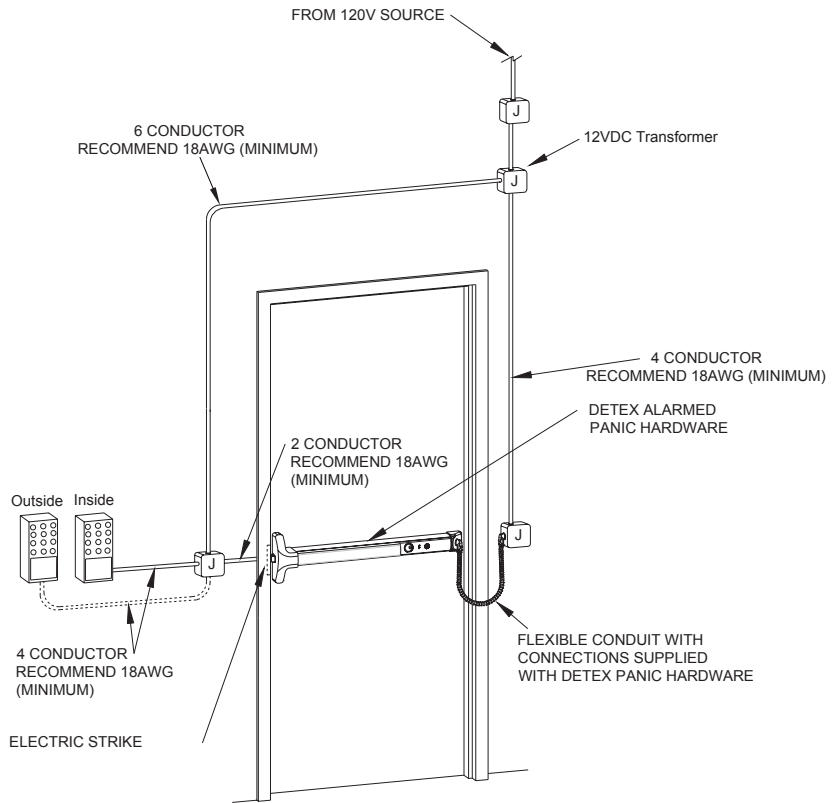
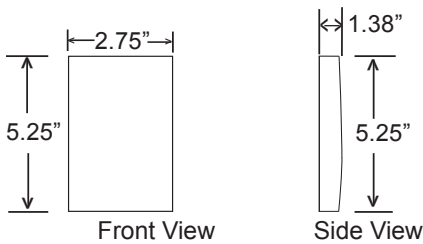
- Dimensions: 2.75" W x 5.25" H x 1.38" D
- Operating voltage: 12 VDC only
- Temperature tolerance: -31F to 150F
- Main relay: Form C 2 amp SPDT controls lock
- Auxiliary Relay: Form C 1 amp SPD
- Request to Exit Input
- Indoor / outdoor use

## Riser Diagram



## Dimensions

### DTX-2300 Stand Alone



## Listings and Approvals



U.L. 294 Listed

## Detex Limited Warranty

3 Year Limited Manufacturers  
Warranty

Where Trust is Built™  
**DETEX**®  
Life Safety and Security Door Hardware

Detex Corporation  
302 Detex Drive  
New Braunfels, Texas 78130-3045 USA

PH. (830) 629-2900

(800) 729-3839

FAX (830) 620-6711

(800) 653-3839

<http://www.detex.com>

USA Sales:

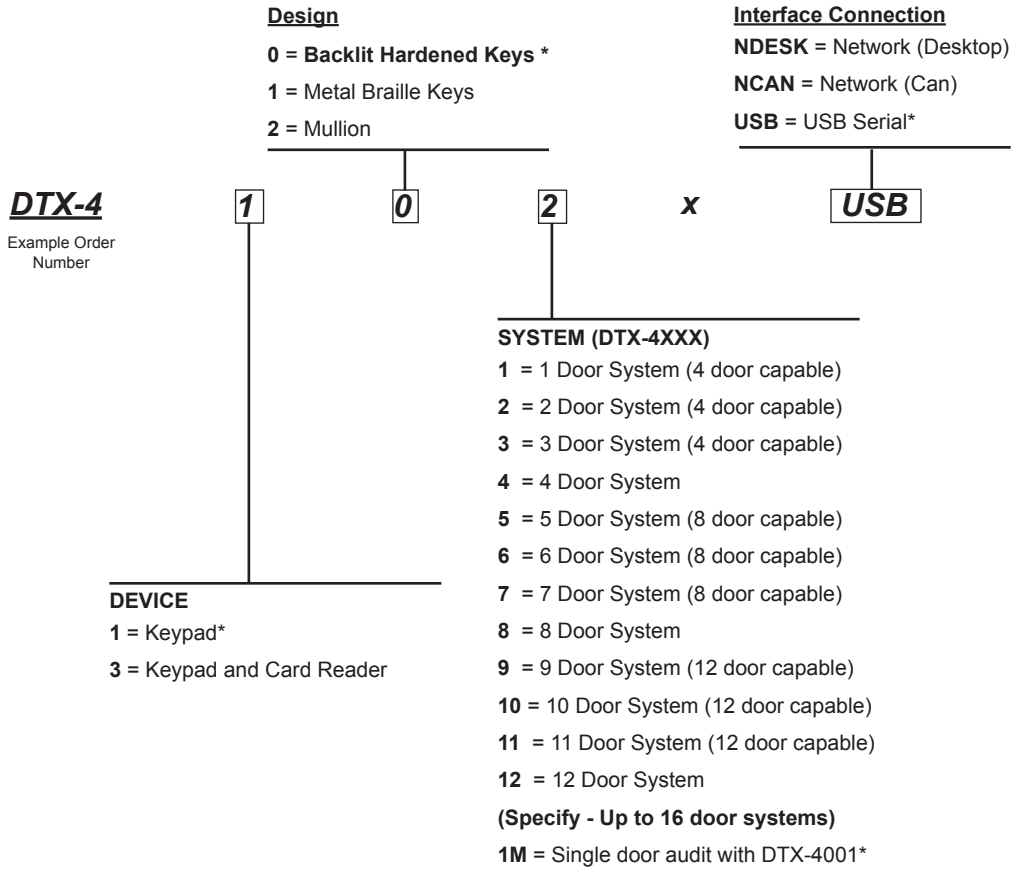
[marketing@detex.com](mailto:marketing@detex.com)

International Sales:

[export@detex.com](mailto:export@detex.com)

# DTX<sup>®</sup>-4000 SERIES ACCESS CONTROL

## HOW TO ORDER



\* Default if left blank

# ACCESS CONTROL SYSTEM

## DTX-4100 Series

### Multi-Door Access System with Keypad and USB or Network

The Multi-Door access system with software is “access simplified”. The system is powerful and easy to install and program for small to mid-sized applications. It provides a secure and trusted access control system that uses proven hardware architecture. System management from a PC can be either over a LAN/WAN connection or through a RS485 serial connection. All individual door access decisions and transaction events are stored at the module. Programming is done via LAN, WAN, or RS-485, using the Hub Manager Professional Software. System expansion is made simple with the modular design of the two available configurations (DTX-4004 or DTX-4001). The DTX-4004 provides the simplest expansion of one to four doors per cabinet when the system needs to be installed in a central location. The DTX-4001 configuration (single door control system) is ideal for applications where the doors are far apart and/or the control is located at the door.



#### Benefits

- Affordable multi-door security application in new or existing structures
- Fast and reliable communications
- Dependable service and security in all environments
- Multi-user capabilities
- Flexible programming capable
- Easy installation
- Controls unauthorized access/ egress

#### Features

- **DTX-410X (X denotes # of doors)**
- 2000 users per door
- Network up to 16 doors
- 2000 transaction storage per door
- First-In auto unlock
- 8 time zones per door
- 15 Single date holidays per door
- 15 Block date holidays per door
- Error Lockout
- Supports adjustable Daylight Savings Time
- Programmable with Hub Manager Professional Software 7.2 or higher
- Serial connection made with USB to 485 converter
- Single gang flush mount design
- Keypads: Backlit hardened keys, durable metal (with braille) keys or mullion mount backlit keys
- Polycarbonate trim
- Conformal coating
- Key press feedback via sounder and yellow LED
- Built-in assignable sounder
- Bi-color Red/Green LED indicates relay status
- Indoor/outdoor use
- 3 year warranty
- UL 294 Listed

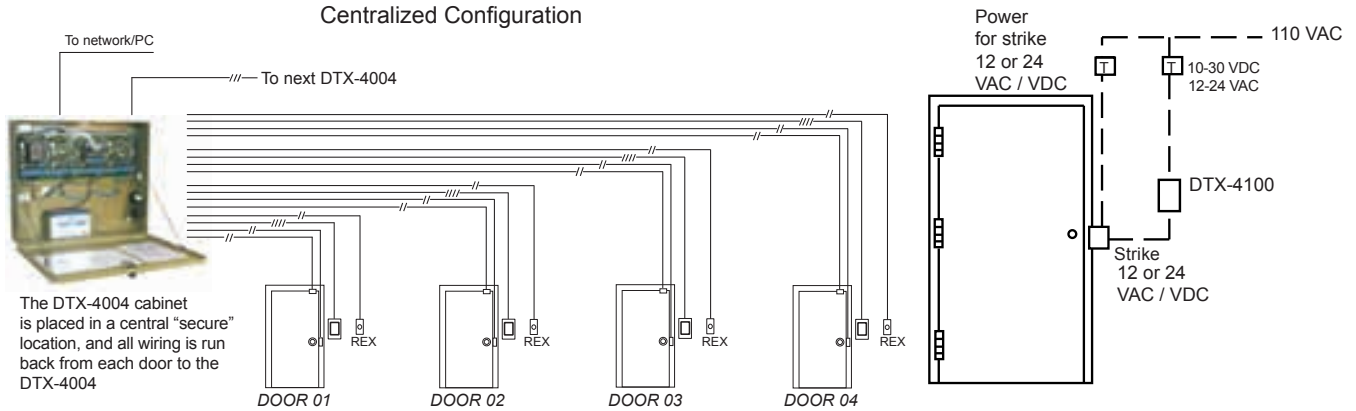
#### Technical Information

- Relay Contact Rating for DTX-4100 or DTX-4110: 2A@ 30VAC/DC (Main & Aux.) and Relay Contact Rating for DTX-4120: 3 - 1 amp SPDT relays in controller
- Request to Exit Input
- Independent Outputs
- Configurable Outputs
- Wiegand Outputs

## Technical Information Continued

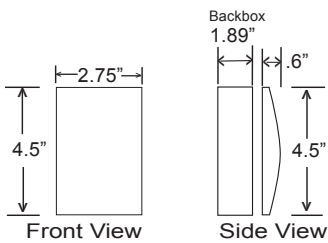
- Operating Voltage: 16.5 VAC  
40 VA Class 2 Transformer  
(Plug-In Transformer included)
- Current Requirements: 100mA  
(backplane & 1 module) add 40mA  
for each module / DTX-4004 -  
Current Requirements: 120mA
- Alarm shunt, door ajar, forced door  
outputs: 12-24 VAC/DC 1mA each
- Temperature tolerance:  
-20F to 130F
- DTX-4004 / DTX-4001: Indoor  
use only

## Riser Diagram

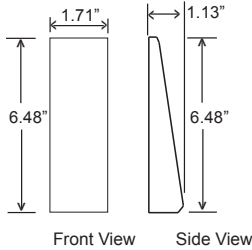


## Dimensions

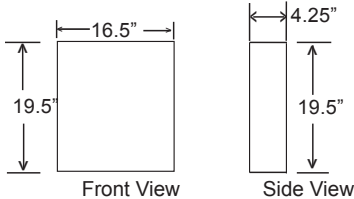
### DTX-4100 and DTX-4110



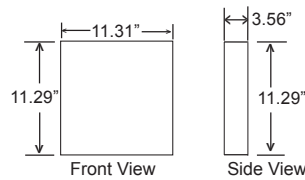
### DTX-4120



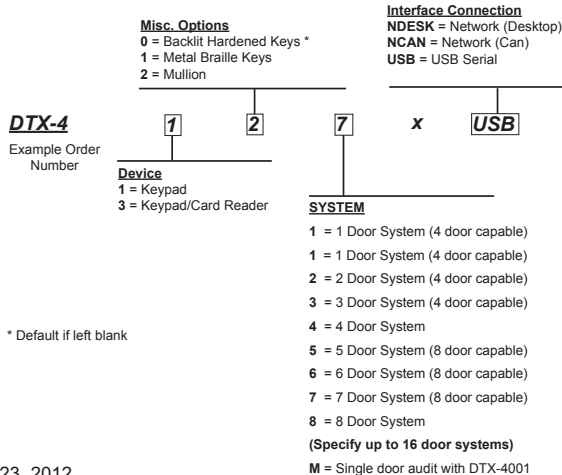
### DTX-4004



### DTX-4001



## How to Order



## Listings and Approvals



U.L. 294 Listed

## Detex Limited Warranty

3 Year Limited Manufacturers  
Warranty

*Where Trust is Built™*  
**DETEX®**  
*Life Safety and Security Door Hardware*

Detex Corporation  
302 Detex Drive  
New Braunfels, Texas 78130-3045 USA  
PH. (830) 629-2900  
(800) 729-3839  
FAX (830) 620-6711  
(800) 653-3839  
<http://www.detex.com>  
USA Sales:  
marketing@detex.com  
International Sales:  
export@detex.com

# ACCESS CONTROL SYSTEM

## DTX-4300 Series

### Multi-Door Access System with Proximity Reader/Keypad and USB or Network

The DTX-4300 Series is a fully integrated PC managed multi-door access system with a proximity reader and keypad. The DTX-4300, when used on it's own, provides standard access control functionality with the use of it's two relays and two inputs for request to exit and door position, and enhanced system functionality when used with Hub Manager Professional software. The software allows the management of people and doors through easy to create reports and step by step wizard assisted expanded feature functionality. The software can communicate to the DTX-4300 either through a 485 connection, or on a LAN/WAN using the SEG-1 TCP/IP communication device. By utilizing the proximity reader and keypad together, a higher level of security is achieved by requiring both to grant access. The DTX-4300 can be directly mounted to a single gang electrical box or to most flat surfaces. The proximity reader is capable of being mounted up to a maximum of 10 feet away from the DTX-4300.



**Example shown:  
DTX-4302xUSB**

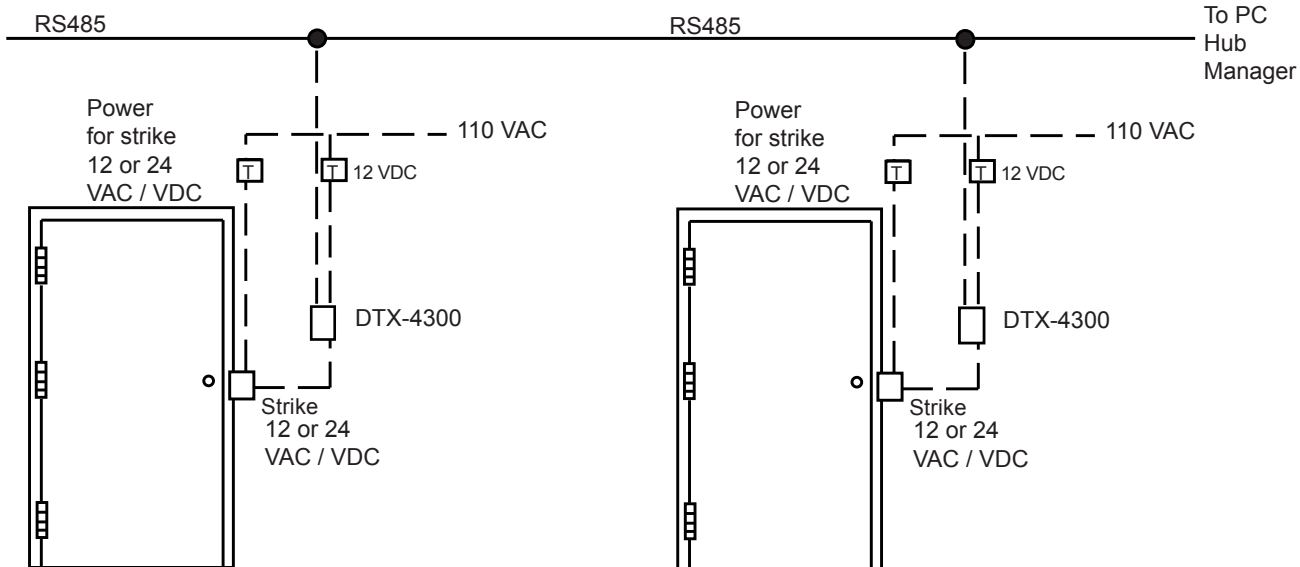
#### Features

- Integrated door control, proximity reader and keypad
- 2000 users
- 2000 event audit trail
- 32 doors per site (when managed with Hub Manager Professional)
- Bi-color LED to indicate operation
- Weather resistant design
- HID 26 - 40 bit format card compatibility
- Weigand compatible
- HID Corporate 1000 compatible
- Fits over a single gang electrical box
- Communication via - SEG-1 (LAN/WAN) or USB to 485 converter
- Remote proximity reader mounting and glass mount option
- 3 year warranty
- UL 294 Listed

**Technical Information**

- Dimensions: 2.75" W x 5.25" H x 1.38" D
- Temperature tolerance: -31F to 150F
- Auxiliary Relay: Form C 1 amp SPDT
- Operating voltage: 12 VDC only
- Main relay: Form C 2 amp SPDT
- Request to Exit Input

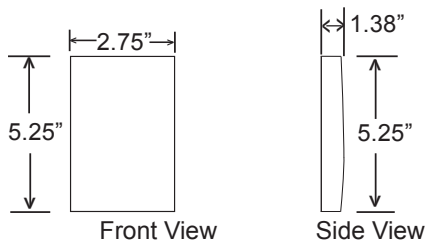
**Riser Diagram**



The Access Control System located at the door, acts as the reader and the controller. The wire connections are made at each door.

**Dimensions**

**DTX-4300 Series**



**Listings and Approvals**



**Detex Limited Warranty**

3 Year Limited Manufacturers Warranty

**How to Order**

**Interface Connection**  
 N = Network  
 USB = USB Serial

Example Order Number: **DTX-430 2 x USB**

**SYSTEM**  
 1 = 1 Door System  
 2 = 2 Door System  
 3 = 3 Door System  
 4 = 4 Door System  
 (Specify - Up to 16 door systems)

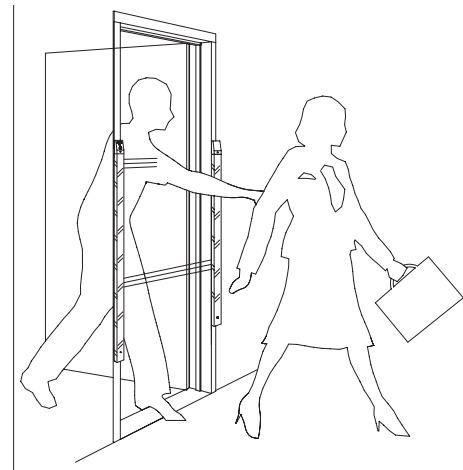


Detex Corporation  
 302 Detex Drive  
 New Braunfels, Texas 78130-3045 USA  
 PH. (830) 629-2900  
 (800) 729-3839  
 FAX (830) 620-6711  
 (800) 653-3839  
<http://www.detex.com>  
 USA Sales:  
[marketing@detex.com](mailto:marketing@detex.com)  
 International Sales:  
[export@detex.com](mailto:export@detex.com)

# Tailgate Detection System

## AT-5200 Series

The Detex AT-5200 Series Tailgate Detection System assures that only one individual enters a secured doorway for each authorized card read; compatible with most card reader technologies the AT-5200 is easy to retrofit. This unique and cost effective optical security system, which uses unique algorithms and infrared sensor beams to detect tailgating, is perfectly suited for areas requiring tighter security. The potential applications for the AT-5200 are unlimited, however typical applications include employee entrances, computer rooms, bank vaults, dorm entrances, and areas with restricted access. Its subtle design does not distract from interior aesthetics and it mounts easily on standard door frames.



### Benefits

- Adds additional security to a restricted area where unauthorized entry must be controlled
- Integrated door prop alarm for additional security
- Compatible with most access control systems and easily retrofits, providing enhanced security
- High throughput easy entry or exit for authorized personnel
- Encourages employees, students, visitors, etc. to maintain access control procedures
- ADA compliant
- Blends in with architectural styling

### Features

- Local control/annunciator; unauthorized access/egress is annunciated locally and with the access control system
- Key switch for local alarm shunt/override
- Alarm can be reset through an on-board timer
- Mounts on standard width door frame or wall
- Spacer mounting kit standard, can be used as a raceway for wiring
- Alarm can be reset by a remote contact
- Remote annunciator plates, fit in a single gang box
- Status indicator lights (Wait or Proceed)
- Field configurable for card in/card out or card in/free exit operation
- Adjustable access period
- Alarm status relays for remote annunciation
- Tamper Switch



---

**Mechanical Options**

---

- Spacer Mounting Kit (order separately)
- 1 gang Remote Annunciator Plate (included with AT-5200-R1)
- Mullion Mount Remote Annunciator plate (specify AT-5200-R2)

---

**Electrical Options**

---

- MS-1039 Magnetic Door Contacts (optional)
- 80-800 Power Supply (12VDC option)

---

**Technical Information**

---

- 12 VDC @ 500mA
- Direct mounting to doorframe or wall by using optional spacer mounting kit
- Alarm Sound Level - 70dB @ 10 inches

---

**Finishes**

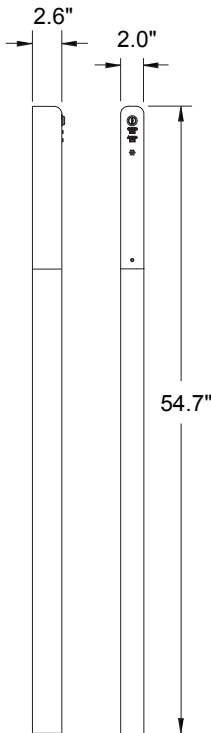
---

- Dark Bronze with IR Plexiglas cover

---

**Dimensions**

---



---

**Listings and Approvals**

---



Meets ADA Requirements

---

**Detex Limited Warranty**

---

3 Year Limited Manufacturers Warranty

*Where Trust is Built™*  
**DETEX®**  
*Life Safety and Security Door Hardware*

Detex Corporation  
302 Detex Drive  
New Braunfels, Texas 78130-3045 USA  
PH. (830) 629-2900  
(800) 729-3839  
FAX (830) 620-6711  
(800) 653-3839  
<http://www.detex.com>  
USA Sales:  
[marketing@detex.com](mailto:marketing@detex.com)  
International Sales:  
[export@detex.com](mailto:export@detex.com)

# *Life Safety and Security Door Hardware*



# KEYSWITCHES

## CS-400 Series

The CS-400 series Keyswitches are designed as control devices for use with Access Control Systems, Delayed Egress, Electric Dogging and Exit Alarms. Other products that require remote input may also use one of these switches. The 430 and 450 models use momentary switches; the 440 and 460 models use maintained switches.



CS-432, CS-442, CS-452  
and CS-462  
(2 LEDs - red and green)  
Shown with Cylinder  
(Cylinder sold separately)



CS-430, CS-440, CS-450  
and CS-460  
(No LED)  
Shown with Cylinder  
(Cylinder sold separately)

### Benefits

- Available in eight different configurations to meet many different requirements
- Easily fits standard switch outlet box, 1 7/8" deep minimum

### Features

- Accepts any standard 5, 6 or 7 pin mortise cylinder with Yale cam
- Heavy duty, extruded stainless steel faceplate
- LED's (green and red) allow 12 or 24 VDC input
- Maintained, momentary switches available
- 2-position switch bracket allows for clockwise and counter-clockwise rotation of cylinder

### Technical Information

- Momentary Switch - Form C contacts, 5 amp rating (Switch activated when pushed, deactivated when released)
- Maintained Switch - Form C contacts, 5 amp rating (Switch activated when pushed, deactivated when pushed again)
- 2.75" wide x 4.5" high x 1.75" deep
- When used with a 7 pin cylinder, use collar, Detex p/n 103003

*Where Trust is Built™*  
**DETEX®**  
*Life Safety and Security Door Hardware*

Detex Corporation  
302 Detex Drive  
New Braunfels, Texas 78130-3045 USA  
PH. (830) 629-2900  
(800) 729-3839  
FAX (830) 620-6711  
(800) 653-3839  
<http://www.detex.com>  
USA Sales:  
[marketing@detex.com](mailto:marketing@detex.com)  
International Sales:  
[export@detex.com](mailto:export@detex.com)

# ELECTRIC STRIKES

## DS-1481 & DS-1581

### Rim Strikes

---

A series of electric strikes for use exclusively on rim panic hardware, these quality products were designed for easy installation and years of trouble-free security. The DS-1581, with its infrared monitoring capabilities, can send a signal to a remote station, trigger video surveillance, and monitor a local alarm.



DS-1481



DS-1581

#### **Benefits (DS-1481) -**

---

- Easy surface mounting saves time and money
- Stainless steel construction provides years of reliable service
- Field-selectable fail secure/fail safe design provides customer selection of security features
- Quiet operation

#### **Features (DS-1481) -**

---

- One-piece locking mechanism provides incredible strength, durability and reliability
- 3,000 plus pounds of holding force
- Unique four-pin anchoring system provides support beyond standard two tapped mounting holes
- Non-handed
- Accommodates up to 3/4" Pullman latch
- BHMA Grade 1

#### **Benefits (DS-1581) -**

---

- Similar to DS-1481 with an added non-contact monitor for latch bolt
- Easy surface mounting saves time and money
- Adaptable wiring schematics allow application choices
- Non-mechanical operation extends life and decreases maintenance

#### **Features (DS-1581) -**

---

- All the features of the DS-1481 plus the sensor is concealed with the unit
- Sensor requires no adjustment
- Detects radiant infrared reflections of the latch and ignores ambient light

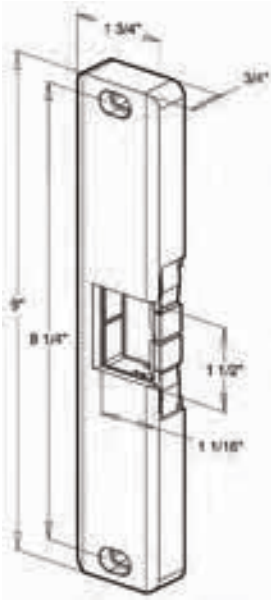
### **Technical Information (DS-1481) -**

---

- 12/24 VDC
- Built-in surge and kickback protection
- Life-cycle tested to 1.5 million plus

### **Dimensions -**

---



### **Technical Information (DS-1581) -**

---

- 12/24 VDC
- Built-in surge and kickback protection
- Life-cycle tested to 1.5 million plus
- SHARP® Infrared optical sensor
- Normally Open and Normally Closed contact terminals
- Single pole, double throw, Form "C" relay, 1Amp @ 24VAC or 24VDC
- Sensor Power - 12 through 30VDC only

### **Detex Limited Warranty -**

---

1 Year Limited Manufacturers Warranty

*Where Trust is Built™*  
**DETEX®**  
*Life Safety and Security Door Hardware*

Detex Corporation  
302 Detex Drive  
New Braunfels, Texas 78130-3045 USA  
PH. (830) 629-2900  
(800) 729-3839  
FAX (830) 620-6711  
(800) 653-3839  
<http://www.detex.com>  
USA Sales:  
[marketing@detex.com](mailto:marketing@detex.com)  
International Sales:  
[export@detex.com](mailto:export@detex.com)

# MULTI-ZONE ANNUNCIATORS

## RP-600 SERIES

The RP-600 multi-zone annunciators are innovative door management products that provide an efficient means of displaying the condition of security devices throughout a monitored facility. An RP-600 multi-zone annunciator serves to provide visual and audible indication of alarms as they occur, giving security personnel the ability to monitor a large complex from a single location.



8 Zone Annunciator



12 Zone Annunciator

### Benefits

- State-of-the-art monitoring in compact package
- Electronics organized into modules for wide range capabilities
- Provides visual and audible indications allowing monitoring of a large complex from a single location

### Features

- Available 8-zone (RP-621) or 12-zone (RP-631)
- Zone shunt allows user to by-pass any selected zone
- Latch control assures point of alarm is reset
- Offers standard or optional controls
- Bi-colored LEDs easily identify status
- Utilizes standard 2 or 4 gang deep electrical mounting boxes - not provided
- Pushbutton reset
- 12VDC

### Dimensions

- RP-621 - 8 Zone  
4.6"W x 4.6"H x 2.5"D
- RP-631 - 12 Zone  
6.4"W x 4.6"H x 2.5"D

### Detex Limited Warranty

3 Year Limited Manufacturer's Warranty



Detex Corporation  
302 Detex Drive  
New Braunfels, Texas 78130-3045 USA  
PH. (830) 629-2900  
(800) 729-3839  
FAX (830) 620-6711  
(800) 653-3839  
<http://www.detex.com>  
USA Sales:  
[marketing@detex.com](mailto:marketing@detex.com)  
International Sales:  
[export@detex.com](mailto:export@detex.com)

# MAGNETIC LOCKS

## ML-1548

### 1500+ lb. Electromagnetic Lock

---

The Detex ML-1500 Series, Grade 1 Magnetic Lock meets or exceeds 1500 lbs. of holding force to the separation point. This is powerful enough to hold many doors against a force that will deform or destroy the door before the ML-1500 can be forced open. Positive, instantaneous failsafe operation is guaranteed, with no moving parts to bind or wear, the ML-1500 Series will release immediately when de-energized by Fire Life Safety System or remote controls.



Available in 628 Aluminum Finish  
or  
711 Black Finish

#### Benefits

---

- Easy mounting, time saving installation
- Secure 1500+ lbs of holding force deters forced entry
- Matches any application or décor
- Physical installation of lock may be made before or after wiring is run
- Maintenance free operation with no moving parts

#### Features

---

- Peel-n-stick paper template
- Non-handed
- Built-in spike protection
- Interlocking slide mounting plate makes installation easy
- All steel magnetic core construction
- Electronics module provides numbered terminal block connections, eliminating wire nuts
- Plated and anodized surfaces
- 12 / 24 VDC voltage sensing input

#### Mechanical Options

---

- ML-1548 - Aluminum 628 finish
- ML-1558 - Black 711 finish

#### Electrical Options

---

- RT - Relock Timer - 0-110 seconds

## Accessories

---

- Brackets

## Technical Information

---

- All steel magnetic core construction
- Housing is heavy aluminum
- .280mA @ 24VDC, .280mA @ 12VDC

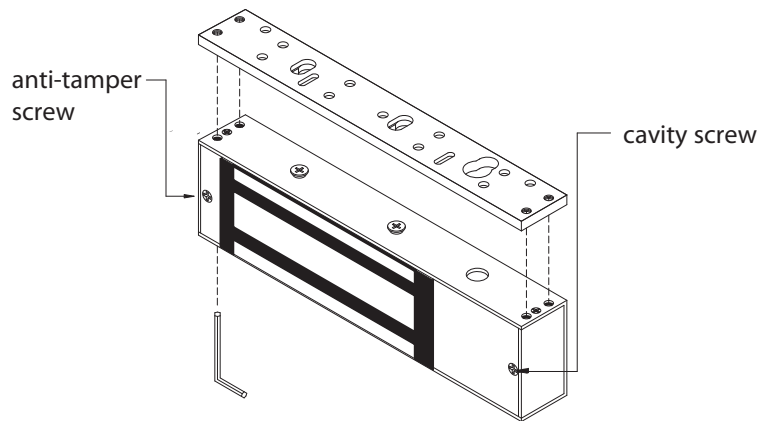
## Finishes

---

- 628 - Aluminum
- 313 - Dark Bronze

## Mounting Diagram

---



## Dimensions

---

- Magnetic Lock - 10.5" L x 2.875" H x 1.625" D
- Armature - 7.4375" L x 2.375" H x .625" D

## Listings and Approvals

---



UL Listed



Meets ADA requirements



UBC 97, Standard 7-2 and  
UL10C for positive pressure



ANSI/BHMA certified  
A156.23 - 1992



Meets NFPA 80 & 101  
for Life Safety



California State Fire Marshal -  
3774-0324:100

City of New York  
MEA 61-95-E

## Detex Limited Warranty

---

3 Year Limited Manufacturers  
Warranty

*Where Trust is Built™*  
**DETEX®**  
*Life Safety and Security Door Hardware*

Detex Corporation  
302 Detex Drive  
New Braunfels, Texas 78130-3045 USA  
PH. (830) 629-2900  
(800) 729-3839  
FAX (830) 620-6711  
(800) 653-3839  
<http://www.detex.com>  
USA Sales:  
[marketing@detex.com](mailto:marketing@detex.com)  
International Sales:  
[export@detex.com](mailto:export@detex.com)



# MAGNETIC LOCKS

## ML-1549W

### 1200+ lb. Weatherized Electromagnetic Lock

The Detex ML-1549W Weatherized Series, Grade 1 Magnetic Locks provide approximately 1200 lbs. of holding force to the separation point. Positive, instantaneous failsafe operation is guaranteed, with no moving parts to bind or wear, the ML-1549W Series will release immediately when de-energized by Fire Life Safety System or remote controls.



#### Benefits

- Easy mounting, time saving installation
- Weatherized for use in the harshest conditions
- Wiring may be run before or after installation of lock
- 1200 lbs of holding force deters unauthorized entry
- Floating armature design compensates for gate/door misalignment with the electromagnet
- Maintenance free operation with no moving parts

#### Features

- Stainless Steel Case
- Epoxy filled for weather resistance
- Non-handed
- Failsafe operation unlocks in a power outage
- Threaded conduit fitting
- Built-in bond sensor

#### Electrical Options

- Dual 12/24 VDC field selectable voltage

#### Accessories

- Various brackets (call factory)

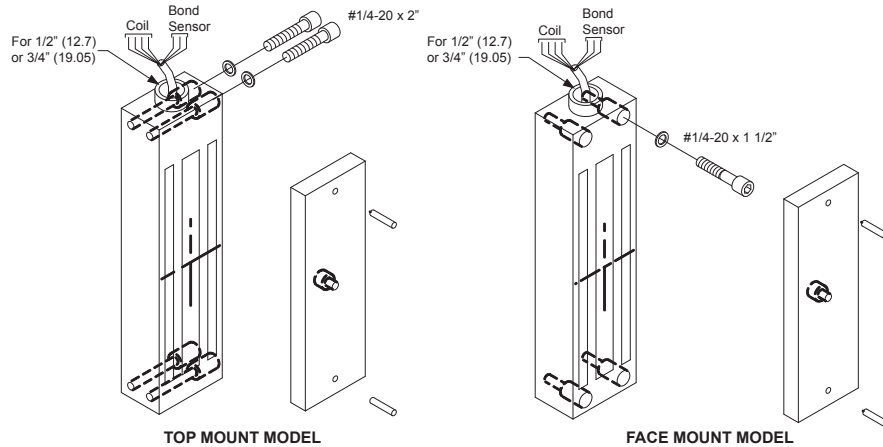
**Technical Information**

- All steel magnetic core construction
- .225mA @ 24VDC, .450mA @ 12VDC

**Finishes (Advantex)**

- 630 - Stainless Steel

**Mounting Diagram**



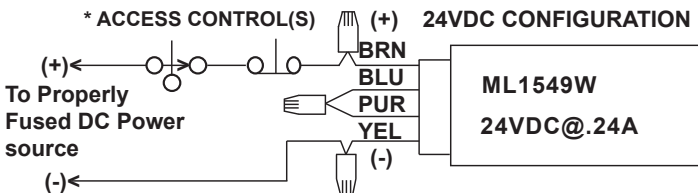
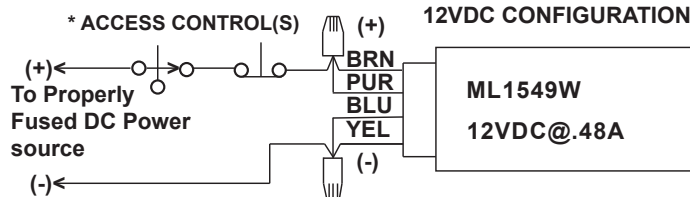
**Dimensions**

- Magnetic Lock - 1.61" D x 2.5" W x 8.66" L
- Armature - .63" D x 2.40" W x 7.283" L

**Detex Limited Warranty**

1 Year Limited Manufacturers Warranty

**12VDC and 24VDC Configurations**



**Listings and Approvals**



Detex Corporation  
 302 Detex Drive  
 New Braunfels, Texas 78130-3045 USA  
 PH. (830) 629-2900  
 (800) 729-3839  
 FAX (830) 620-6711  
 (800) 653-3839  
<http://www.detex.com>  
 USA Sales:  
[marketing@detex.com](mailto:marketing@detex.com)  
 International Sales:  
[export@detex.com](mailto:export@detex.com)

# MOTION DETECTORS

## MN01 & MN02

### Passive Infrared Sensors

---

The MN01 & MN02 provide reliable motion detection for passive "Request-to-Exit" installation. Superior white-light and RFI immunity and SMD circuitry provide outstanding performance and sensitivity.



MN01



MN02

### Benefits

---

- Hands-free activation
- Reliable detection
- Choice of fail safe/fail secure operation
- Easy to install
- Single or double door coverage

### Features

---

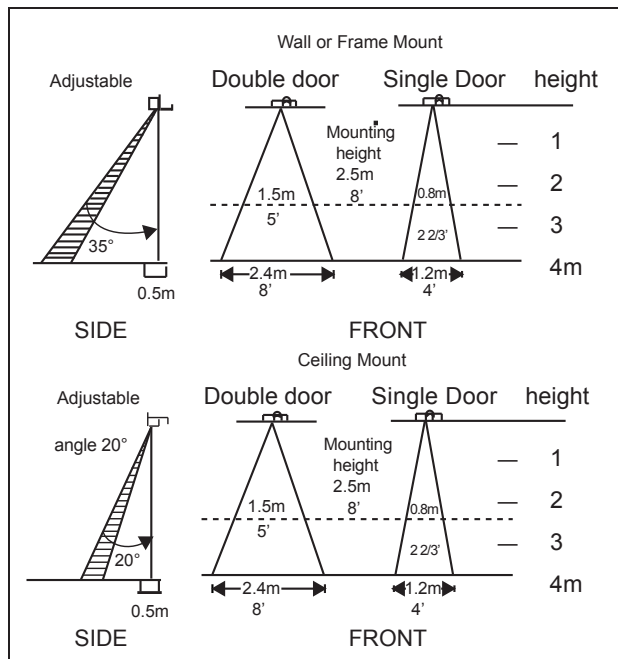
- Both offer special circuitry for superior RFI immunity
- Dual-Pyroelectric detection elements
- MN01 allows fail safe/fail secure selection
- MN02 provides fail safe default
- Both offer single or double door coverage

### Electrical Options

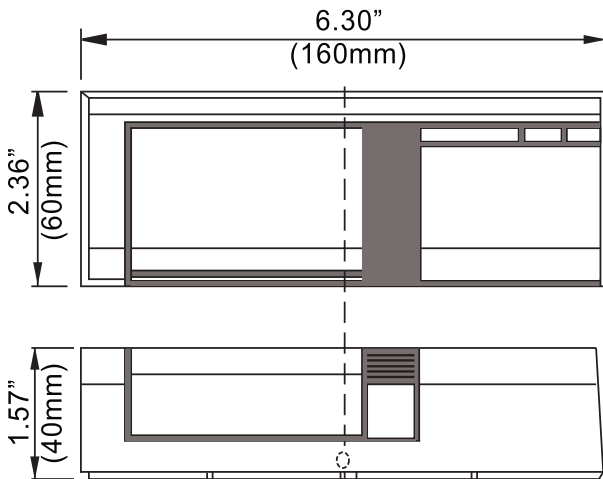
---

- MN01 requires 12 to 24VDC or AC
- MN02 requires 10.5 to 16 VDC

## Detection Area - MN01



## Dimensions - MN01



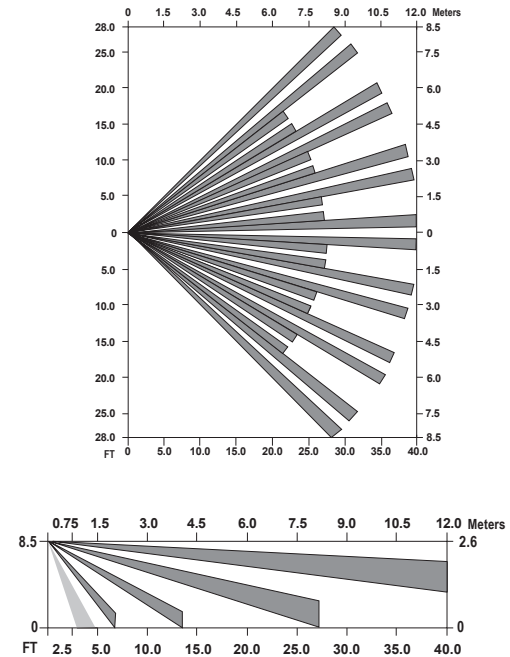
## Listings and Approvals



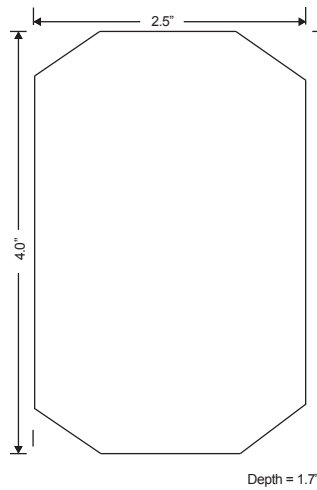
## Detex Limited Warranty

1 Year Limited Manufacturer's Warranty

## Detection Area - MN02



## Dimensions - MN02



Where Trust is Built™

**DETEX**®

Life Safety and Security Door Hardware

Detex Corporation  
 302 Detex Drive  
 New Braunfels, Texas 78130-3045 USA  
 PH. (830) 629-2900  
 (800) 729-3839  
 FAX (830) 620-6711  
 (800) 653-3839  
<http://www.detex.com>  
 USA Sales:  
[marketing@detex.com](mailto:marketing@detex.com)  
 International Sales:  
[export@detex.com](mailto:export@detex.com)

# MAGNETIC SWITCH

## MS-2049F, MS-2049S, MS-2049SC, MS-2049SI

These magnetic switches are designed primarily to serve as sensing devices to detect the opening of a door or window; to assure that a protected door is securely under surveillance; to serve as a trigger for a wall-mounted Detex Exit Alarm; to signal that a door has been inadvertently left open; and to be used as a direct switch to set off many kinds of audio and visual alarms.



MS-2049F Flush  
Magnetic Switch



MS-2049S Surface Mounted  
Magnetic Switch



MS-2049SC Surface Mounted  
Magnetic Switch  
with conduit connector for use  
with thin-wall conduit



MS-2049SI Surface Mounted  
Magnetic Switch  
for In-Swinging Doors

### Benefits

- Provides assurance that protected doors are under surveillance
- Serves as a trigger for alarms or remote monitors
- UL listed for use on fire rated doors and assemblies

### Features

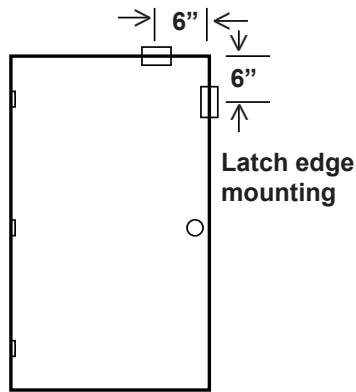
- Tamper protection - mounting screws inaccessible when door closed
- Components potted to protect against shock and moisture
- Easy installation with concealed wiring and color coded leads
- Surface mounted units are housed in a durable high impact ABS thermoplastic, a UL listed material used in the manufacture of telephones, auto bodies, etc.
- Wide range of alarm and signal applications
- Minimizes false signals due to loosely closed doors
- Switch rated for over one million operations under load

### Technical Information

- Maximum contact ratings - 24VDC @ .5A
- For use on steel, aluminum or wood doors and frames
- May be mounted on stiles as narrow as 1-3/8"
- Overhead (preferred) or latch-stile mounting available for all models
- Switch - single pole, double throw (SPDT)
- The flush device (MS-2049F) should have the switch contact housed in the door frame and the magnet mortised in the edge of the door
- Wiring leads, 12" long, color coded, concealed

## Riser Diagram

Overhead mounting (preferred)

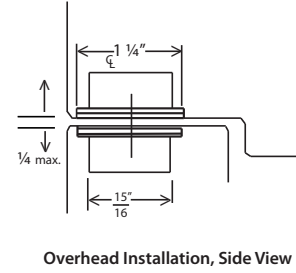
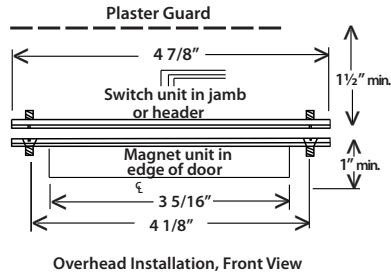


## Listings and Approvals

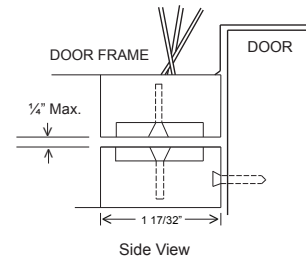
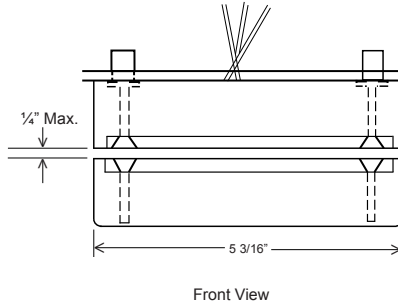


"UL Listed Miscellaneous Fire Door Accessories"  
 "UL Listed Door Position Switch"

## Dimensions (MS-2049F)



## Dimensions (MS-2049S)



## Detex Limited Warranty

3 Year Limited Manufacturers Warranty

Where Trust is Built™  
**DETEX**®  
 Life Safety and Security Door Hardware

Detex Corporation  
 302 Detex Drive  
 New Braunfels, Texas 78130-3045 USA  
 PH. (830) 629-2900  
 (800) 729-3839  
 FAX (830) 620-6711  
 (800) 653-3839  
<http://www.detex.com>  
 USA Sales:  
[marketing@detex.com](mailto:marketing@detex.com)  
 International Sales:  
[export@detex.com](mailto:export@detex.com)

# MAGNETIC SWITCH

## MS-1039F, MS-1039S, MS-1059F, MS-1059S

These magnetic switches are designed primarily to serve as sensing devices to detect the opening of a door or window; to assure that a protected door is securely under surveillance; to serve as a trigger for a wall-mounted Detex Exit Alarm; to signal that a door has been inadvertently left open; and to be used as a direct switch to set off many kinds of audio and visual alarms.



MS-1039F (White) / MS-1059F (Brown)  
Flush Magnetic Switch  
(MS-1059F Shown)



MS-1039S (White) / MS-1059S (Brown)  
Surface Mounted  
Magnetic Switch  
(MS-1059S Shown)

### Benefits

- Anti-Tamper Design
- Serves as a trigger for alarms or remote monitors
- Provides assurance that protected doors are under surveillance
- Simple Installation
- BMS - Balanced Magnetic Switch provides improved security

### Features

- Polarity selection is non-critical
- Flush switches are self-locking
- Color selection white/brown
- Flush switches are solid, one-piece design with no need for extra donut adapters
- Durable Magnet
- Wide range of alarm and signal applications

### Technical Information

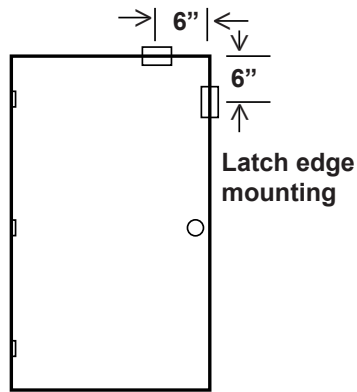
- Surface switches have Max. Contact rating 30VDC @ 250mA
- Flush switches have Max. Contact rating 28VDC, 0.5A, 10W
- For use on steel, aluminum or wood doors and frames
- Overhead (preferred) or latch-stile mounting available for all models
- Switch - single pole, single throw (SPST)
- Normally closed contact
- The MS-1039F (Flush mount) should have the switch contact housed in the door frame and the magnet mortised in the edge of the door

### Finishes

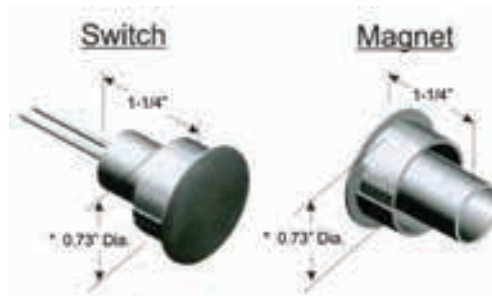
- MS-1039F/S - White
- MS-1059F/S - Brown

## Riser Diagram

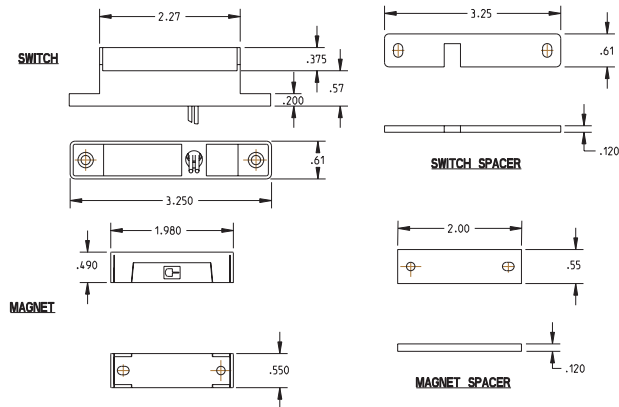
Overhead mounting (preferred)



## Dimensions (MS-1039F/MS-1059F)



## Dimensions (MS-1039S/MS1059S)



**Detex Limited Warranty**  
 3 Years Limited Manufacturers  
 Warranty

*Where Trust is Built™*  
**DETEx®**  
*Life Safety and Security Door Hardware*

Detex Corporation  
 302 Detex Drive  
 New Braunfels, Texas 78130-3045 USA  
 PH. (830) 629-2900  
 (800) 729-3839  
 FAX (830) 620-6711  
 (800) 653-3839  
<http://www.detex.com>  
 USA Sales:  
[marketing@detex.com](mailto:marketing@detex.com)  
 International Sales:  
[export@detex.com](mailto:export@detex.com)



# PUSHBUTTON CONTROLS

## PB-2000 / 2100 Series

Simple to install and easy to use, the PB-2000 series of push button controls allow for lock or magnetic lock release in access control and request to exit applications.



PB-2048



PB-2158



PB-2138

### Benefits

---

- Fast and easy installation
- Aesthetically pleasing design fits any décor

### Features

---

- Fits single switch box - flush or surface - approximately 2"

### Mechanical Options

---

- Mushroom button (Std.)
- Fits standard 2" switch box (Std.)
- Narrow/Mullion Plate
- Shrouded button
- Key switch cover

### Electrical Options

---

- Available in Normally Open, Normally Closed or Form C
- Available in Momentary or Maintained configurations

### Technical Information

---

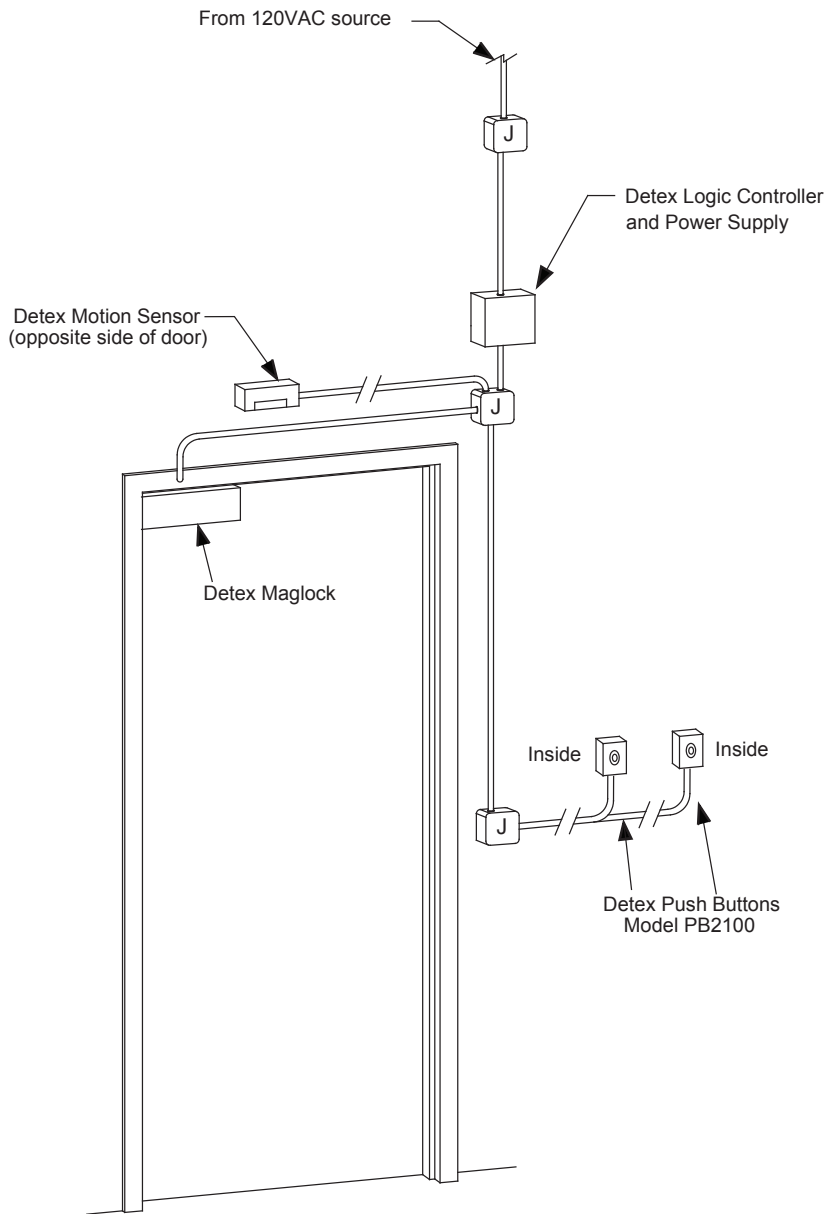
- 12-24 VAC @ 100 mA
- Switch - UL File #E66677
- Switch - CSA Certified

### Finishes

---

- Painted Aluminum
- Stainless Steel

## Riser Diagram



## Detex Limited Warranty

1 Year Limited Manufacturers  
Warranty

*Where Trust is Built™*  
**DETEX®**  
*Life Safety and Security Door Hardware*

Detex Corporation  
302 Detex Drive  
New Braunfels, Texas 78130-3045 USA  
PH. (830) 629-2900  
(800) 729-3839  
FAX (830) 620-6711  
(800) 653-3839  
<http://www.detex.com>  
USA Sales:  
[marketing@detex.com](mailto:marketing@detex.com)  
International Sales:  
[export@detex.com](mailto:export@detex.com)

# MISCELLANEOUS

## Power Transfers

Exposed or concealed, power transfers are used to protect wires that electrify door hardware. Either transmitting power to a low voltage electric latch retraction exit device or signaling a remote camera, wire transfers are essential to electrified door hardware.

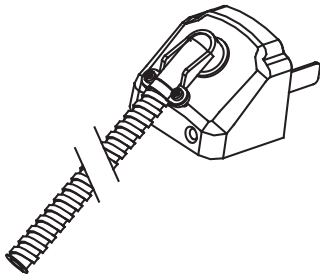
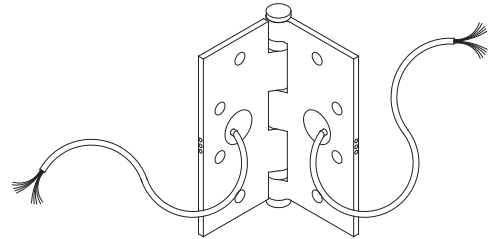


**PT-5** - Power Transfer loops provide a means of running wires from the frame to doors equipped with electric locks and exit devices. The PT-5 is a heavy-duty power transfer device, concealed mortise mount, UL listed miscellaneous fire door accessory. It is UL 10C positive pressure compliant and UBC 7-2 Fire Test for Door Assemblies compliant.

Dimensions: 10-1/4" L x 1" W x 3/4" D

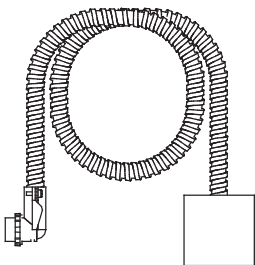
**EWH8-626** - This five-knuckle energy transfer hinge is ideal for door that require concealed low voltage transfer of power from the hinge jamb to the door. With a total of eight (8) wires, there are two (2) 20AWG for power, two (2) 22AWG for by-pass inputs and four (4) 28AWG for signaling, the center hole wire access location makes for easy installation

Hinge Size: 4.5" x 4.5"



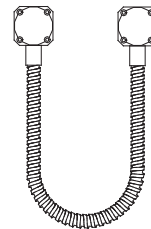
**FCA** - Flex conduit and End Cap gives you 3 feet of flexible conduit, 10 wires with couplers with pin receptacle connectors and the Advantex standard end-cap with fittings.

**AL18** - Surface Mount Armor Loops - 18 inch long flexible conduit with two (2) stainless steel ends with two (2) couplers.



**JB1** - Junction Box - Flex Conduit Kit for use with EM Delayed Egress device. Contains 9-1/2 feet of flex conduit, wire connectors and clamps required for installation.

Box Dimensions:  
4 5/8" W x 4 5/8" L x 2" D



*Where Trust is Built™*

**DETEX**®  
*Life Safety and Security Door Hardware*

Detex Corporation  
302 Detex Drive  
New Braunfels, Texas 78130-3045 USA

PH. (830) 629-2900

(800) 729-3839

FAX (830) 620-6711

(800) 653-3839

<http://www.detex.com>

USA Sales:

[marketing@detex.com](mailto:marketing@detex.com)

International Sales:

[export@detex.com](mailto:export@detex.com)

# AUXILIARY PRODUCTS

## Weatherized Horn/Strobe

---

For added security in your facility, Detex offers a line of additional horns, strobes and horn/strobe combinations. When the environment is noisy, or when you need exterior sounders, these weatherized products will draw your attention to possible breaches in your security.



HR2  
Horn Only



HSR2  
Horn / Strobe

---

### Benefits

- Plug-in design speeds installation
- Ample room in backbox prevents nicked/crushed wires
- Mounting plate shorting spring tests wiring before installation

---

### Features

- Plastic weatherproof back box
- Knock-outs eliminate need for drilling
- Resistant to saltwater corrosion
- Outdoor horns, strobes and horn/strobes listed to NEMA 4X

---

### Electrical Options

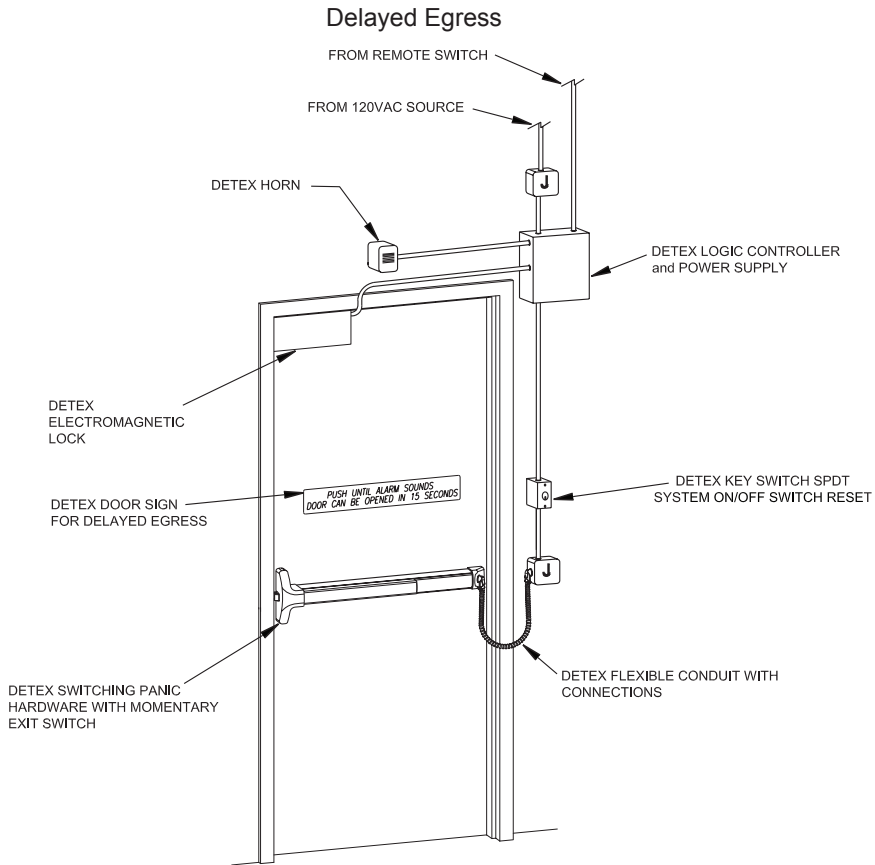
- HR2 - Horn only, 2-wire, 12/24VDC
- SR2 - Strobe only, 2 wire, 12/24VDC
- HSR2 - Horn/Strobe, 2 wire, 12/24VDC
- HSR4 - Horn/Strobe, 4 wire, 12/24VDC

---

### Technical Information

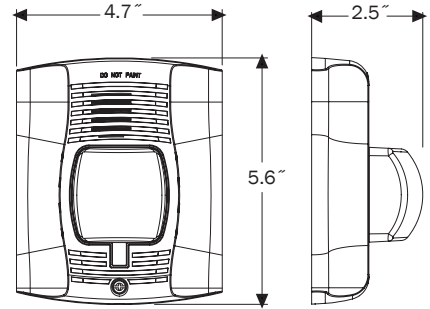
- Standard operating temperature - 32 to 120F (-40 to 66C)
- Strobe flash rate - 1 per second
- Input terminal wire gauge - 12 to 18 AWG

## Riser Diagram

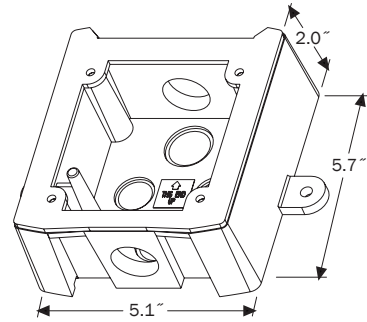


**NOTE:** All items above sold separately or in EasyKit DEX10EXx1S-1

## Dimensions



Wall-mount horn/strobes



Wall weatherproof back box

## Listings and Approvals



"U.L. listed Outdoor Products to UL 1638 (Strobe) and UL 464 (Horn) outdoor requirements"



7125-1653-186 (indoor strobes)  
 7300-1653-187 (outdoor strobes)  
 7125-1653-188 (horn/strobes, chime/strobes)  
 7135-1653-189 (horns, chimes)

Where Trust is Built™

**DETEX**®

Life Safety and Security Door Hardware

Detex Corporation  
 302 Detex Drive  
 New Braunfels, Texas 78130-3045 USA  
 PH. (830) 629-2900  
 (800) 729-3839  
 FAX (830) 620-6711  
 (800) 653-3839  
<http://www.detex.com>  
 USA Sales:  
[marketing@detex.com](mailto:marketing@detex.com)  
 International Sales:  
[export@detex.com](mailto:export@detex.com)

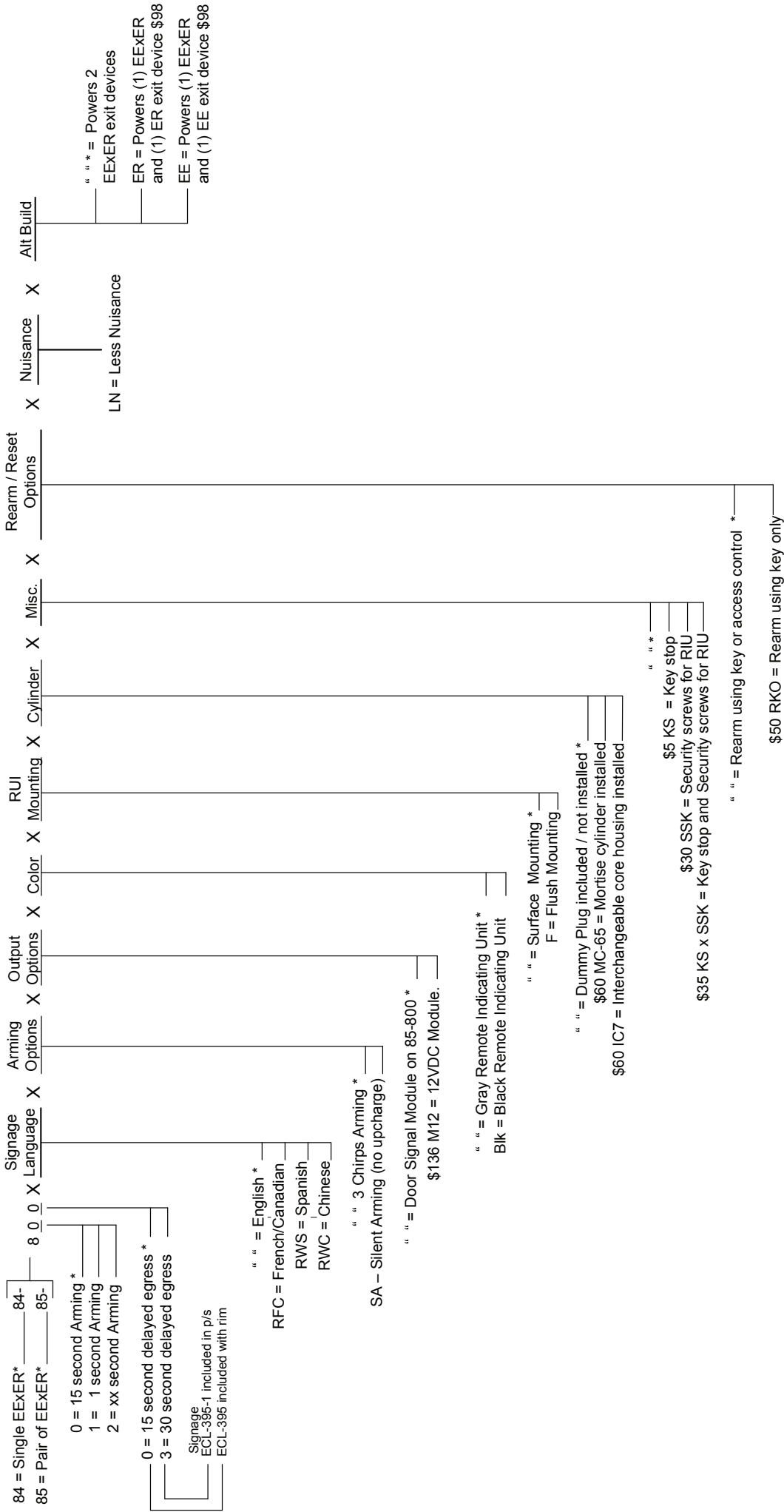
# *Life Safety and Security Door Hardware*



**Series 800**

# Series 800 How To Order

Note: \* indicates default



# **SERIES 800**

## **10-800 / 11-800**

### **Controller**

The Detex 10-800 and 11-800 are universal logic and power supply controllers that allow for total control over all electrified hardware. The controller receives input from a switch, access control or any dry contact device and processes it into the desired output. One controller can manage applications for up to two doors, such as standard egress, delayed egress and interlocks. All connections for local or remote signaling are contained in one box. The 10-800 and 11-800 logic controllers provide at least 2A of DC power at the door. A battery backup/charging circuit is standard with each controller to deliver an uninterrupted source of power for up to 4 hours (battery sold separately).



10-800  
Shown open



10-800  
or  
11-800  
Shown closed



11-800  
Shown open

**NOTE:** 10-800 and 11-800 available in Black  
11-800 same as 10-800 but with added 24 point terminal strip and flip-down tray

#### **Benefits**

- Central terminal connections provide easy wiring
- In-line fuse protects against power surges
- Designed specifically to support electric locks, access control systems and delayed egress systems
- Multiple fire alarm relay input options assure compliance to various life safety codes
- On/Off switch allows for easy service and inspection

#### **Features**

- Power supply and controller all in one box
- Controls up to 2 separate doors for standard egress or 2-door interlock applications
- 1 controller required for each independent delayed egress application
- Output relays for locks, local alarm and remote alarms
- Relays may be configured to wet or dry connections
- Status LED's toggle on or off for easy troubleshooting
- Connections are labeled with either numbering scheme or label with text to identify circuits
- Single AC line voltage required to activate
- Dual voltage selection (12/24VDC)
- 9VDC, 100mA output terminal tap
- Fuse protection
- Battery backup circuit - standard
- Other Models include:
  - 30-800\* - Surface box - Zinc plated, lid and Series 800 controller
  - 31-800\* - Flat mount plate and Series 800 controller
  - 40-800\* - Same as 11-800 without transformer
  - 41-800\* - Same as 10-800 without transformer
  - 50-800\* - Series 800 controller only, no box

\* Requires low voltage source

#### **Mechanical Options**

- Cover lock key
- Battery box extension
- 24 point terminal strip and flip down tray included with the 11-800



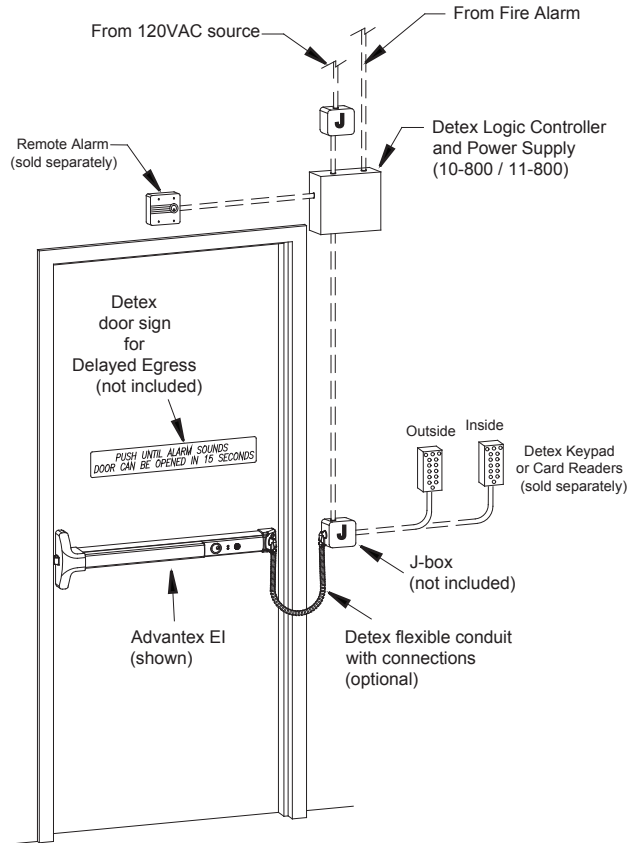
## Electrical Options

- Access Control compatible
- Tamper Switch
- Battery backup, 12VDC or 24VDC, 4AH
- Pre-wired terminal strip with labels for easy identification (11-800)
- M12 module provides 12VDC @ 400mA for access control components

## Technical Information

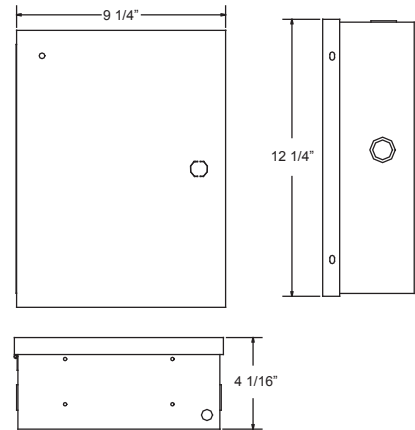
- 110VAC input
- 12 or 24 VDC output, 2A
- Lock Relay 2A
- Remote Relay 2A
- Controls 2 doors within 100 feet using 18ga stranded wires
- Bolt Position /Door Position Switches Relay 2A
- Local Alarm Relay 5A

## Riser Diagram



Typical Application -  
Delayed Egress with Access Control

## Dimensions (10-800/11-800)



## Listings and Approvals



UL Listed  
Power Supply  
and Special  
Locking  
Arrangement  
(Delayed Egress)

## Detex Limited Warranty

3 Year Limited Manufacturer's  
Warranty

Where Trust is Built™  
**DETEx**®  
Life Safety and Security Door Hardware

Detex Corporation  
302 Detex Drive  
New Braunfels, Texas 78130-3045 USA  
PH. (830) 629-2900  
(800) 729-3839  
FAX (830) 620-6711  
(800) 653-3839  
<http://www.detex.com>  
USA Sales:  
[marketing@detex.com](mailto:marketing@detex.com)  
International Sales:  
[export@detex.com](mailto:export@detex.com)

# **SERIES 800**

## **80-800 / 90-800**

### **Power Supply**

The Detex 80-800 or 90-800 Power Supply is designed for applications requiring a continuous supply of a regulated, filtered output voltage. The Detex 80-800 Power Supply includes a battery charging circuit. Batteries provide backup for uninterrupted service.



**80-800**



**90-800**

### **Benefits**

- Simplifies installations that do not require a conduit, Class 2 outputs standard and may be wired directly to 115VAC input
- Provides continuous regulated and filtered 12VDC or 24VDC (80-800); 24VDC (90-800)
- Provides individual fused protection, field reset
- Designed specifically to support electric locks and access control systems
- On/Off switch allows for easy service and inspection

### **Features**

- Fire alarm input provides release of fail-safe locks in case of emergency (80-800/90-800)
- Battery charging circuit, PTC protection (80-800 only)
- Heavy gauge enclosure, 18ga (80-800/90-800)
- Field selectable outputs (80-800 only)
- LED system status indicator (80-800/90-800)
- Low battery disconnect when batteries are below 70% capacity (80-800 only)
- Auto-resetting circuit protection (80-800/90-800)
- Class 2 outputs (80-800/90-800)

### **Accessories**

- Batteries (80-800 only)

### **Technical Information**

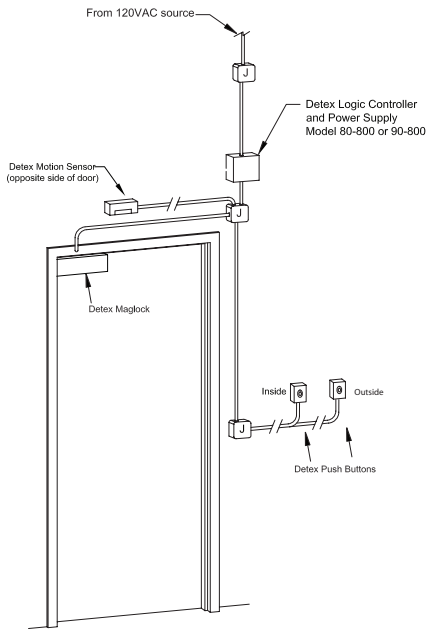
- Input: 115VAC, 50/60 Hz
- 80-800 (1) Output: 12 or 24VDC, 1A
- Battery Charger: 13.5/27VDC, 500mA (80-800 only)
- Class 2 Rated
- 90-800 (2) Outputs: 24VDC, 1A

**Finishes**

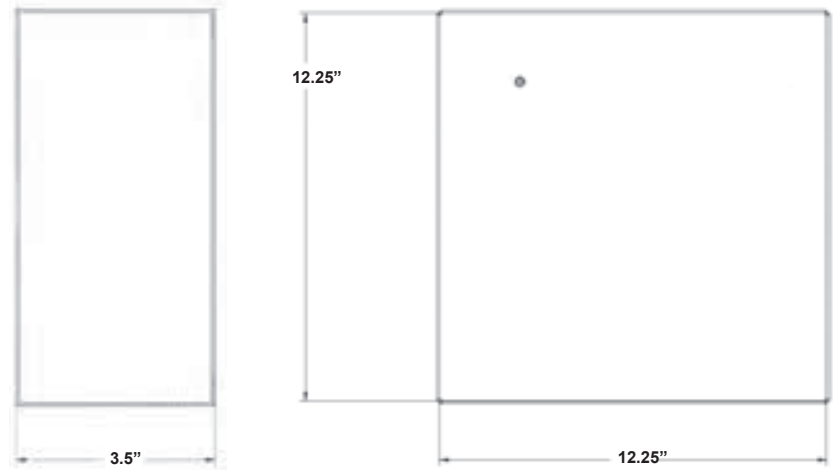
• Painted Beige - 80-800

• Painted Black - 90-800

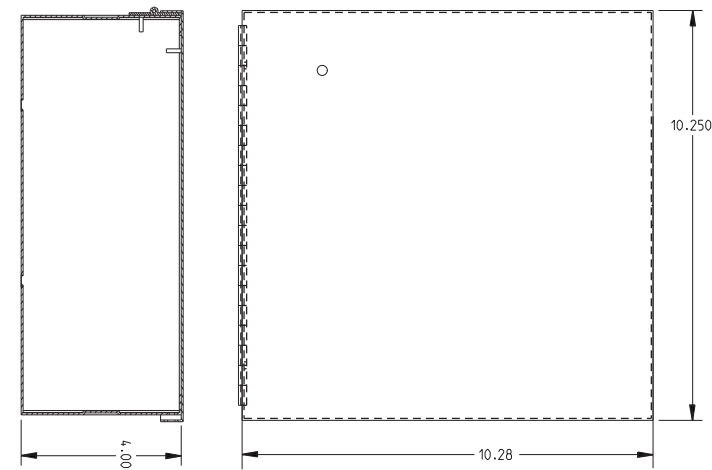
**Riser Diagram**



**Dimensions (80-800)**



**Dimensions (90-800)**



**Listings and Approvals**



**Detex Limited Warranty**

3 Year Limited Manufacturer's Warranty



Detex Corporation  
 302 Detex Drive  
 New Braunfels, Texas 78130-3045 USA  
 PH. (830) 629-2900  
 (800) 729-3839  
 FAX (830) 620-6711  
 (800) 653-3839  
<http://www.detex.com>  
 USA Sales:  
[marketing@detex.com](mailto:marketing@detex.com)  
 International Sales:  
[export@detex.com](mailto:export@detex.com)

# **SERIES 800**

**81-800 / 82-800 / 83-800**

**Logic / Power Supply - Latch Retraction**

---

Detex Series 800 logic and power supplies convert 120VAC into regulated and filtered 24VDC, providing a secure, consistent, power feed to various electrified door hardware accessories, primarily access control components, such as Detex latch retraction exit devices.



**81-800 / 82-800**



**83-800**

---

## **Benefits**

- Filtered and regulated 24VDC power protects circuitry from stray power surges and spikes
- While others require 2 amp power supplies for single door applications, Detex allows you to specify and supply the economical 81-800 for single door latch retraction applications
- The Series 800 products have been engineered to provide superior operation through design integration with all Detex electric latch retraction options

---

## **Features**

- 81-800 - 1 AMP continuous, controlling 1 Detex latch retraction (ER) device for 1 door
- 82-800 - 2 AMP continuous, controlling 2 Detex latch retraction (ER) devices for a pair of doors
- 83-800 - 2 AMP continuous, controlling 2 Detex latch retraction (ER) devices for 2 independent doors
- Battery charging circuit included standard (batteries sold separately) - see accessories
- Design provides enough power to cycle Detex latch retraction motor, one time, even if power is lost while attempting to open the door and gain access
- 81-800, 82-800 and 83-800 have standard output used to signal automatic door operators

---

## **Mechanical Options**

- L - cover lock (cam style) & 2 keys

---

## **Electrical Options**

- M12 - 12 volt module provides 12VDC power

---

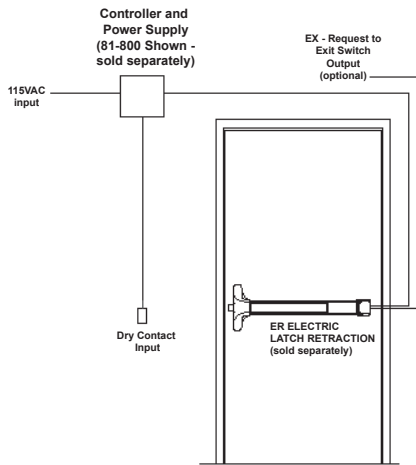
## **Accessories**

- 70-24B - 24VDC 4 AMP hour battery pack

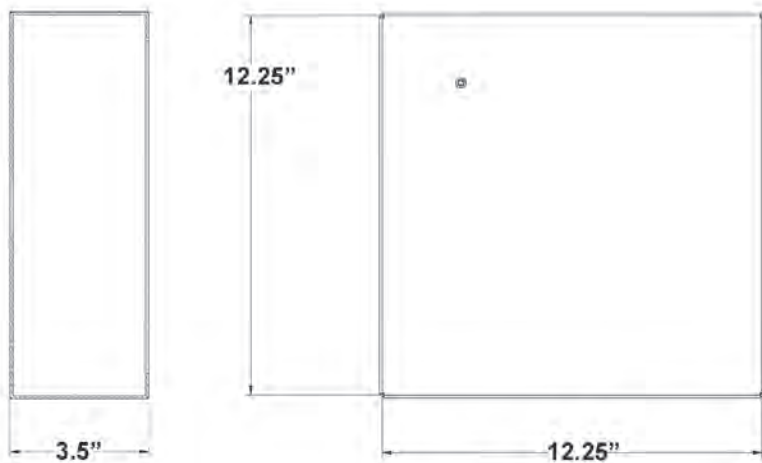
## Technical Information

- 12.25" high x 12.25" wide x 3.5" deep
- 18 gauge steel
- Machine and Sheet Metal Screws (Std.)
- Beige with hinged cover
- Knockout holes provided for conduit connection

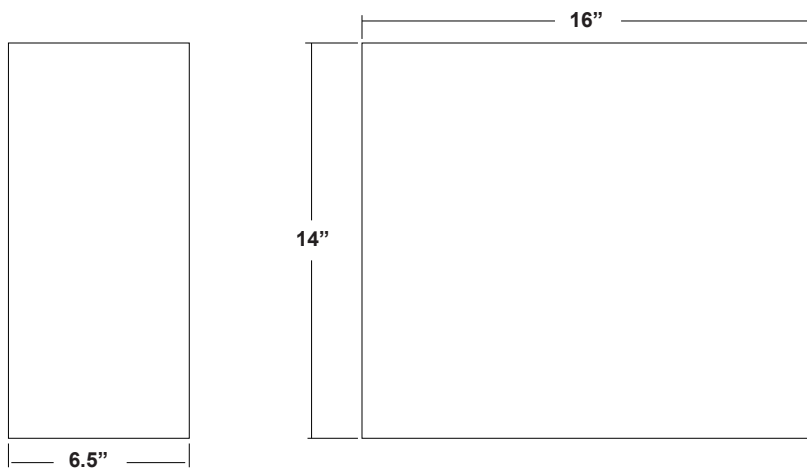
## Riser Diagram



## Dimensions (81-800 and 82-800)



## Dimensions (83-800)



## Detex Limited Warranty

3 Year Limited Manufacturers Warranty

## Listings and Approvals



U.L. Listed



Meets NFPA 80 & 101 for Life Safety, CA Title 19



ANSI/BHMA requirements for all Building Codes

*Where Trust is Built™*  
**DETEX®**  
*Life Safety and Security Door Hardware*

Detex Corporation  
 302 Detex Drive  
 New Braunfels, Texas 78130-3045 USA  
 PH. (830) 629-2900  
 (800) 729-3839  
 FAX (830) 620-6711  
 (800) 653-3839  
<http://www.detex.com>  
 USA Sales:  
[marketing@detex.com](mailto:marketing@detex.com)  
 International Sales:  
[export@detex.com](mailto:export@detex.com)

# **SERIES 800**

## **84-800 / 85-800**

### **Logic / Power Supply - Latch Retraction**

---

Detex 84-800 and 85-800 are universal logic and power supply controllers that convert 120VAC into regulated and filtered 24VDC, providing a secure, consistent, power feed to the Detex electric latch retraction delayed egress exit devices.



**84-800**



**85-800**

---

#### **Benefits**

- Power supply and controller all in one box
- All connections centralized
- Single AC line voltage required to activate
- Allows you to specify and supply the economical 84-800 for single door or 85-800 for 2-door latch retraction, delayed egress applications
- The Series 84-800 and 85-800 products have been engineered to provide superior operation through design integration with electric latch retraction, delayed egress options

---

#### **Features**

- 84-800 - 1A continuous, controls 1 Detex electric latch retraction, delayed egress (EExER) device for 1 door
- 85-800 - 2A continuous, controls 2 Detex electric latch retraction, delayed egress (EExER) devices for a pair of doors
- Fuse protected
- Filtered and regulated 24VDC power protects circuitry from stray power surges and spikes
- Fire alarm input for life safety compliance
- Connections are labeled to identify circuits
- Cable harnesses engineered to take guesswork out of making correct point to point connections
- Cable harness lengths allow 84/85-800 enclosures to be located up to 15' from device
- Status LEDs toggle on or off for easy troubleshooting
- Output relay for local and remote alarm

---

#### **Mechanical Options**

- Cover lock key

---

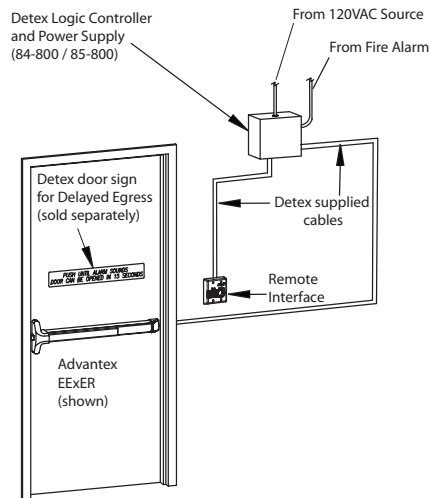
#### **Electrical Options**

- 12VDC @ 300mA module in addition to 24VDC power

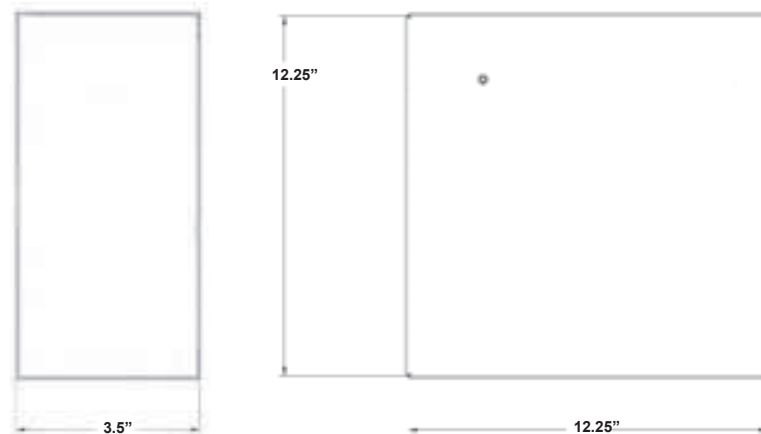
## Technical Information

- 12.25" high x 12.25" wide x 3.5" deep (84-800)
- 14" high x 16" wide x 6.5" deep (85-800)
- Beige with hinged cover
- 18 gauge steel
- Knockout holes provided for conduit connection
- 110VAC input
- 24VDC output, 1A (84-800) or 2A (85-800)
- Machine and Sheet Metal Screws (Std.)

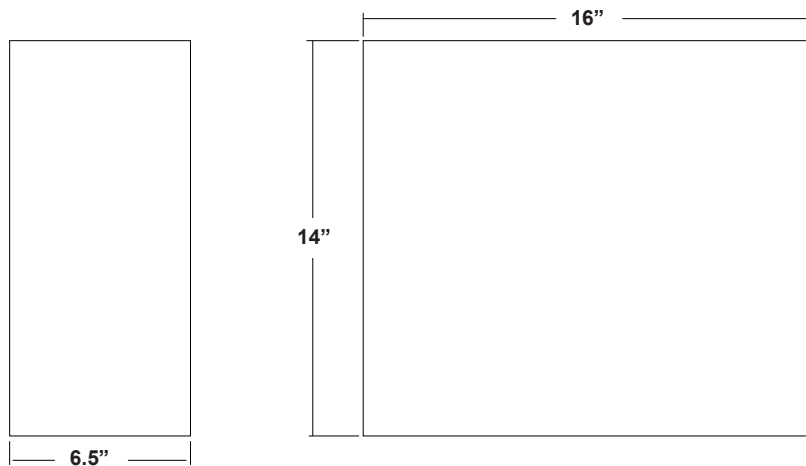
## Riser Diagram



## Dimensions (84-800)



## Dimensions (85-800)



## Detex Limited Warranty

3 Year Limited Manufacturers Warranty

## Listings and Approvals



U.L. Listed



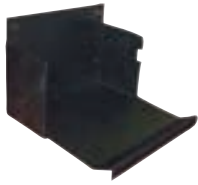
Meets NFPA 80 & 101 for Life Safety, CA Title 19



ANSI/BHMA requirements for all Building Codes

Where Trust is Built™  
**DETEX**®  
 Life Safety and Security Door Hardware

Detex Corporation  
 302 Detex Drive  
 New Braunfels, Texas 78130-3045 USA  
 PH. (830) 629-2900  
 (800) 729-3839  
 FAX (830) 620-6711  
 (800) 653-3839  
<http://www.detex.com>  
 USA Sales:  
[marketing@detex.com](mailto:marketing@detex.com)  
 International Sales:  
[export@detex.com](mailto:export@detex.com)

**Batteries**

**70-02B** - Battery Box Extension; Black; Battery sold separately



**70-12B** - 12VDC 4AH - 1 battery provided



**70-24B** - 24VDC 4AH - 2 batteries provided



# *Integrated Door Security Systems*



**EasyKit**



**ACDx10xE5000 ACDx20/21xE5000**  
**Access Controlled Doors**

The ACDxE5000 EasyKit offers industry-proven life safety and security hardware for high-use, high-abuse doors with a cost-effective access control solution.



**Benefits**

- Cost-effective access control with panic hardware in one easy-to-install kit
- No key or cards to manage
- Audit trail provides additional security management
- Optional easy-to-use Excel-based software
- Pin code can be changed in seconds
- Easy-to-replace standard AA batteries
- Tough and durable design for years of trouble-free service in high-use, high-abuse environments
- Minimal door prep with no through-door wiring saves time and money

**Features**

- E5000 features cast stainless steel internal drive parts
- Stainless steel deadlocking Pullman-type latch bolt on exit device
- Weatherproof trim requires no outside gasket
- Non-handed
- Field sizeable panic device
- E5000 offers up to 100 access codes
- 1/8 turn dogging
- Heavy-duty angled end cap deflects damage away from panic device
- Battery pack included

For more information on 10/20/21 exit devices, see individual catalog pages

For more information on E5000 visit [www.kaba-ilco.com/access\\_control](http://www.kaba-ilco.com/access_control)

**Mechanical Options**

- CD - Cylinder Dogging
- HD - Hex Dogging (Std.)
- LD - Less Dogging
- 36 - Fits 36" door width (Std.)
- 48 - Fits 48" door width
- F - 3-Hour Fire Rated (both E5000 and panic device)
- H - Hurricane Rated
- 99 - surface strike (Std.)
- 98 - semi mortise strike

**Electrical Options**

- Exit Alarm (EA)
- Electric Dogging (ED)
- Electric Integration (EI)
- Electric Latch Retraction (ER)
- Delayed Egress - Self Contained (EE)
- Delayed Egress with Latch Retraction (EEExER)
- Delayed Egress - Mag Lock (EM)
- Electric Switching (ES)
- Request to Exit (EX/EXV)
- Request to Exit Weatherized (EXxW)

Refer to Electrified Options section for more information



## Accessories

- SN1 - Sex Nut Fasteners
- SSK1 - Torx Security Screw Kit

## Technical Information

- Door Types - Wood, Hollow Metal, Fiberglass or Aluminum
- Door Thickness - Fits standard 1-3/4" - 2-1/4" (for other door thicknesses, contact factory)
- Door Stile - Fits minimum 5" wide stile with 99 strike (Std.)
- Machine and Sheet Metal Screws (Std.)
- Rail - Heavy Ribbed Aluminum Extrusion
- E5000 numeric pushbuttons - vandal resistant, 12 button, metal keys
- E5000 construction is solid cast housing and solid cast zinc levers

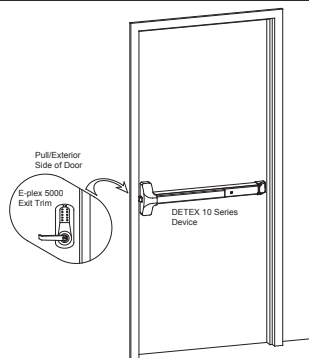
## Finishes (Kaba)

- 626/26D Satin Chrome
- 606/04 Lifetime Satin Brass
- 695/55 Duranodic
- 605/03 Lifetime Bright Brass

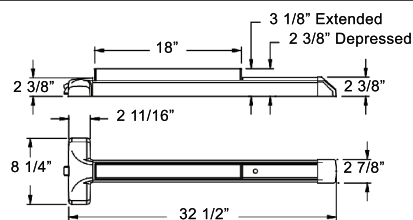
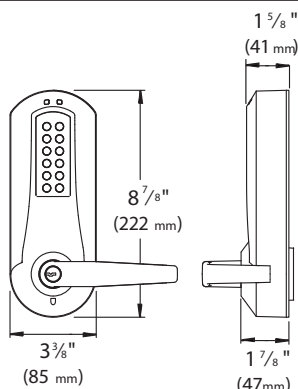
## Finishes (Advantex)

- 605 / US3 - Polished Brass
- 606 / US4 - Brushed Brass
- 611 / US9 - Polished Bronze
- 612 / US10 - Brushed Bronze
- 613 / US10B - Oil Rubbed Bronze
- 629 / US32 - Polished Stainless Steel
- 630 / US32D - Brushed Stainless Steel

## Riser Diagram



## Dimensions



10 Series Dimensions Shown

## Detex Limited Warranty

Advantex - 10 Year Mechanical /  
3 Year Electrical Manufacturers  
Limited Warranty

E5000 - 3 year Manufacturers  
Warranty

## Listings and Approvals Advantex



UL Listed  
Panic Hardware



UL Listed Fire Exit Hardware  
for 3 hours, maximum



4'x10' single doors and pairs of  
4'x8' with F90KR key removable  
Mullion



Meets ADA requirements



ULC 97, Standard 7-2 and  
UL10C for positive pressure



ANSI/BHMA certified A156.3



Meets NFPA 80 & 101  
for Life Safety



Miami-Dade County, Florida } 10 Series  
NOA 10-0303.02 EXP. 04/07/15 } Only

State of Florida Approval  
FL9052



California State Fire Marshall -  
4140-0127:105 and  
3725-0127:108

## Listings and Approvals E5000



3 Hour UL & ULC fire rating  
for "A" labeled doors



Meets ADA requirements



ANSI/BHMA A156.2-2001  
Grade 1

*Where Trust is Built™*  
**DETEX®**  
*Integrated Door Security Systems*

Detex Corporation  
302 Detex Drive  
New Braunfels, Texas 78130-3045 USA  
PH. (830) 629-2900  
(800) 729-3839  
FAX (830) 620-6711  
(800) 653-3839  
<http://www.detex.com>  
USA Sales:  
[marketing@detex.com](mailto:marketing@detex.com)  
International Sales:  
[export@detex.com](mailto:export@detex.com)

# EasyKit®

## ACDx10xS5000 ACDx20/21xS5000 Access Controlled Doors

The ACDxS5000 EasyKit offers industry-proven life safety and security hardware for high-use, high-abuse doors with a cost-effective access control solution.



(Shown on 10 Series Rim Exit Device - Available with 20/21 Series Surface Vertical Rod Devices)

### Benefits

- Cost-effective access control with panic hardware in one easy-to-install kit
- One easy-to-order/specify catalog number for this turnkey solution
- No key or cards to manage
- One common pin code for all users
- Pin Code can be changed in seconds
- No batteries to replace
- Tough and durable design for years of trouble-free service in high-use, high-abuse environments
- Minimal door prep saves time and money

### Features

- S5000 features cast stainless steel internal drive parts
- Stainless steel deadlocking Pullman-type latch bolt on exit device
- Non-handed
- Field sizeable panic device
- 1/8 turn dogging
- Heavy-duty angled end cap deflects damage away from panic device

For more information on 10/20/21 exit devices, see individual catalog pages

For more information on S5000 visit [www.kaba-ilco.com/access\\_control](http://www.kaba-ilco.com/access_control)

### Mechanical Options

- CD - Cylinder Dogging
- HD - Hex Dogging (Std.)
- LD - Less Dogging
- 36 - Fits 36" door width (Std.)
- 48 - Fits 48" door width
- F - 3-Hour Fire Rated (both S5000 and panic device)
- H - Hurricane Rated
- 99 - surface strike (Std.)
- 98 - semi mortise strike

### Electrical Options

- Exit Alarm (EA)
  - Electric Dogging (ED)
  - Electric Integration (EI)
  - Electric Latch Retraction (ER)
  - Delayed Egress - Self Contained (EE)
  - Delayed Egress with Latch Retraction (EEExER)
  - Delayed Egress - Mag Lock (EM)
  - Electric Switching (ES)
  - Request to Exit (EX/EXV)
  - Request to Exit Weatherized (EXxW)
- Refer to Electrified Options section for more information

## Accessories

- SN1 - Sex Nut Fasteners
- SSK1 - Torx Security Screw Kit

## Technical Information

- Door Types - Wood, Hollow Metal, Fiberglass or Aluminum
- Door Thickness - Fits standard 1-3/4" - 2-1/4" (for other door thicknesses, contact factory)
- Door Stile - Fits minimum 5" wide stile with 99 strike (Std.)
- Machine and Sheet Metal Screws (Std.)
- Rail is Heavy Ribbed Aluminum Extrusion
- S5000 numeric pushbuttons - vandal resistant, anodized aluminum
- S5000 construction is solid cast housing and solid cast zinc levers

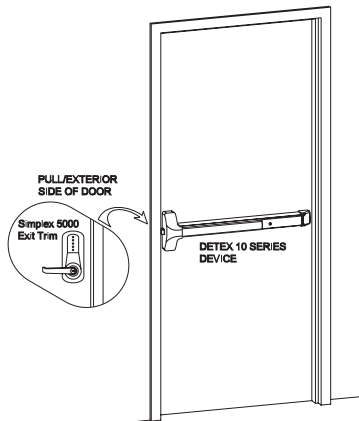
## Finishes (KABA)

- 626/26D Satin Chrome
- 695/55 Duranodic
- 605/03 Lifetime Bright Brass
- 606/04 Lifetime Satin Brass

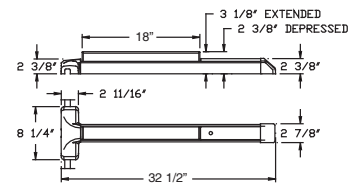
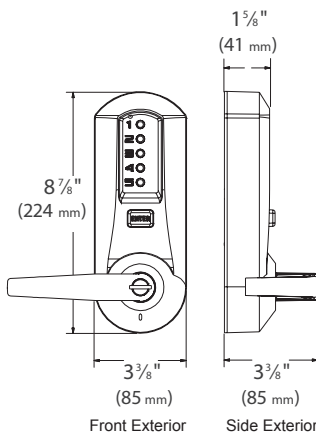
## Finishes (Advantex)

- 605 / US3 - Polished Brass
- 612 / US10 - Brushed Bronze
- 629 / US32 - Polished Stainless Steel
- 606 / US4 - Brushed Brass
- 613 / US10B - Oil Rubbed Bronze
- 630 / US32D - Brushed Stainless Steel
- 611 / US9 - Polished Bronze

## Riser Diagram



## Dimensions



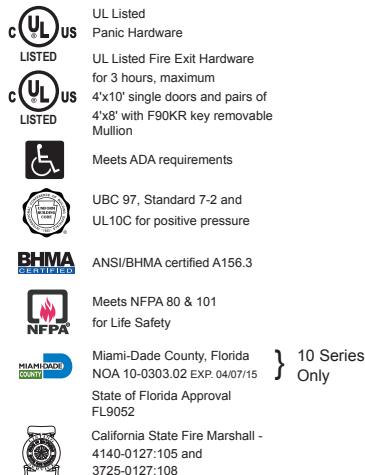
10 Series Dimensions Shown

## Detex Limited Warranty

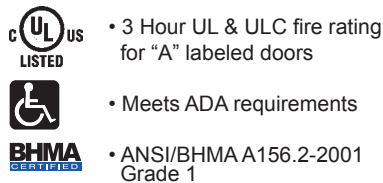
Advantex - 10 Year Mechanical / 3 Year Electrical Manufacturers Limited Warranty

S5000 - 3 year Manufacturers Warranty

## Listings and Approvals Advantex



## Listings and Approvals S5000



Detex Corporation  
 302 Detex Drive  
 New Braunfels, Texas 78130-3045 USA  
 PH. (830) 629-2900  
 (800) 729-3839  
 FAX (830) 620-6711  
 (800) 653-3839  
<http://www.detex.com>  
 USA Sales:  
[marketing@detex.com](mailto:marketing@detex.com)  
 International Sales:  
[export@detex.com](mailto:export@detex.com)



## ACDx10ER ACDx40ER

### Access Controlled Doors with Latch Retraction

The ACDx10ER EasyKit offers industry-proven life safety and security hardware for high-use, high-abuse doors with innovative, proximity readers and software providing an easy-to-install, access control solution.



#### Also Included:

Outside Trim (Call Factory for Options)

Converter Cable (1500 Ft. of Module RS-232 to RS-485 Converter Cable)

Wiring Diagram

(Shown on 10 Series Rim Exit Device - Available with 10/40 Rim, 30 Mortise and 20/21/50/51 Surface Vertical Rod Devices)

#### Benefits -

- Innovative, robust proximity technology allows for heavy access control applications
- Easy-to-install, heavy-duty hardware provides years of trouble-free, heavy access control use
- Easy-to-manage software tracks 1000's of users and cards
- Easily managed, add or delete users as needed, when necessary
- EasyKit includes all required hardware, wiring and riser diagrams for easy to order, easy to install, easy to use package
- Each kit is easily configured for entry read and/or exit read applications
- Minimal door and frame prep saves time and money

#### Features -

- Kit includes, Power supplies, Controllers, Latch Retraction Exit Device with trim, 2 proximity readers, cards and basic software
- Expandable system allows for up to 30 total doors
- Stainless steel deadlocking Pullman-type latch bolt on exit device
- Non-handed exit hardware
- Heavy-duty angled end cap deflects damage away from panic device

#### Mechanical Options -

- 36 - Fits 36" door width (Std.)
- F - 3 hour fire rated exit device
- 99 - surface strike (Std.)
- 48 - Fits 48" door width
- H - Hurricane Rated exit device
- 98 - semi mortise strike

#### Electrical Options -

- Request to Exit (EX) pushpad switch for remote signaling upon exit
- LBM - Latch Bolt Monitor
- EWH8-626 - Electric Hinge
- M12 - Power Supply 12V module for other low volt accessories
- FC - Flex Conduit and End Cap
- PT5 - Power Transfer

## Accessories -

- SN1 - Sex Nut Fasteners
- Various configurable cylinder trims, pulls and levers (Call factory for specific details)

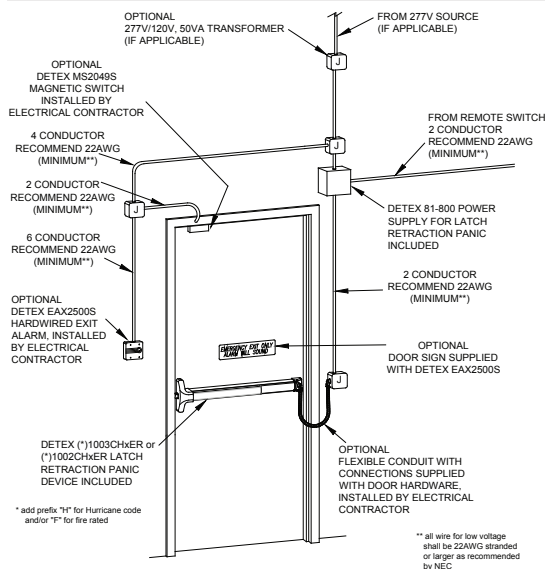
## Technical Information -

- Door Types - Wood, Hollow Metal, Fiberglass or Aluminum
- Medium Stile - Wide stile rim and surface vertical rod fits minimum 5" stile with 99 strike (Std.)
- Machine and Sheet Metal Screws (Std.)
- Door Thickness - Fits standard 1-3/4" - 2-1/4" (for other door thicknesses, contact factory)
- Narrow Stile - Narrow stile rim and surface vertical rod fits minimum 2" stile with 98 strike (optional)
- Rail is heavy ribbed aluminum extrusion

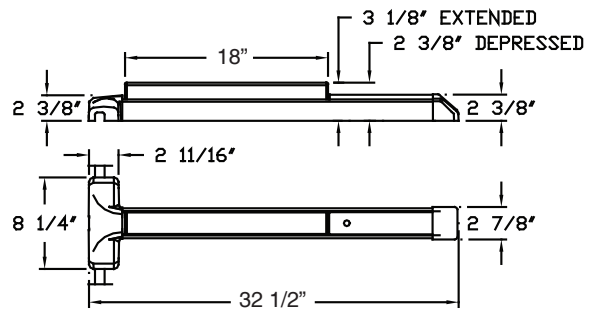
## Finishes (Advantex) -

- 605 / US3 - Polished Brass
- 612 / US10 - Brushed Bronze
- 629 / US32 - Polished Stainless Steel
- 606 / US4 - Brushed Brass
- 613 / US10B - Oil Rubbed Bronze
- 630 / US32D - Brushed Stainless Steel
- 611 / US9 - Polished Bronze

## Riser Diagram -



## Dimensions -



10 Series Dimensions Shown

## Detex Limited Warranty -

Advantex - 10 Year Mechanical /  
3 Year Electrical Manufacturers  
Limited Warranty

## Listings and Approvals - Advantex

- UL Listed Panic Hardware
- UL Listed Fire Exit Hardware for 3 hours, maximum
- 4'x10' single doors and pairs of 4'x8' with F90KR key removable Mullion
- Meets ADA requirements
- UBC 97, Standard 7-2 and UL10C for positive pressure
- ANSI/BHMA certified A156.3
- Meets NFPA 80 & 101 for Life Safety
- Miami-Dade County, Florida NOA 10-0303.02 EXP. 04/07/15  
State of Florida Approval FL9052
- California State Fire Marshall - 4140-0127-105 and 3725-0127-108

} 10 Series  
Only

*Where Trust is Built™*  
**DETEx**®  
*Integrated Door Security Systems*

Detex Corporation  
302 Detex Drive  
New Braunfels, Texas 78130-3045 USA  
PH. (830) 629-2900  
(800) 729-3839  
FAX (830) 620-6711  
(800) 653-3839  
<http://www.detex.com>  
USA Sales:  
[marketing@detex.com](mailto:marketing@detex.com)  
International Sales:  
[export@detex.com](mailto:export@detex.com)

# EasyKit®

## ACDxML-1548RT

### Access Controlled Doors

---

The ACDxML-1548RT EasyKit offers industry-proven security hardware for controlled entry or exit as well as hands free entry or exit. The ACDxML-1548RT is a simple, easy-to-install, access control solution, which is ideal for selected access lobbies and preferred customer entrances/exits.



Motion Detector



Push Button



Electromagnetic Lock



Power Supply

#### Also Included:

Wiring Diagram  
(not shown)

---

#### Benefits

- Easy installation with integrated components
- Motion detector unlocks magnetic lock allowing controlled access
- Push button unlocks magnetic lock allowing controlled access
- Minimal door and frame prep saves time and money

---

#### Features

- Kit includes, Power supplies, magnetic lock, motion sensor, push button and point-to-point drawing
- May be wired to fire alarm for emergency release compliance
- Magnetic lock is equipped with a field adjustable timer to control the amount of time the magnet remains unlocked once the push button is activated.  
**NOTE:** When used in a means of egress, code requires a minimum of 30 seconds.

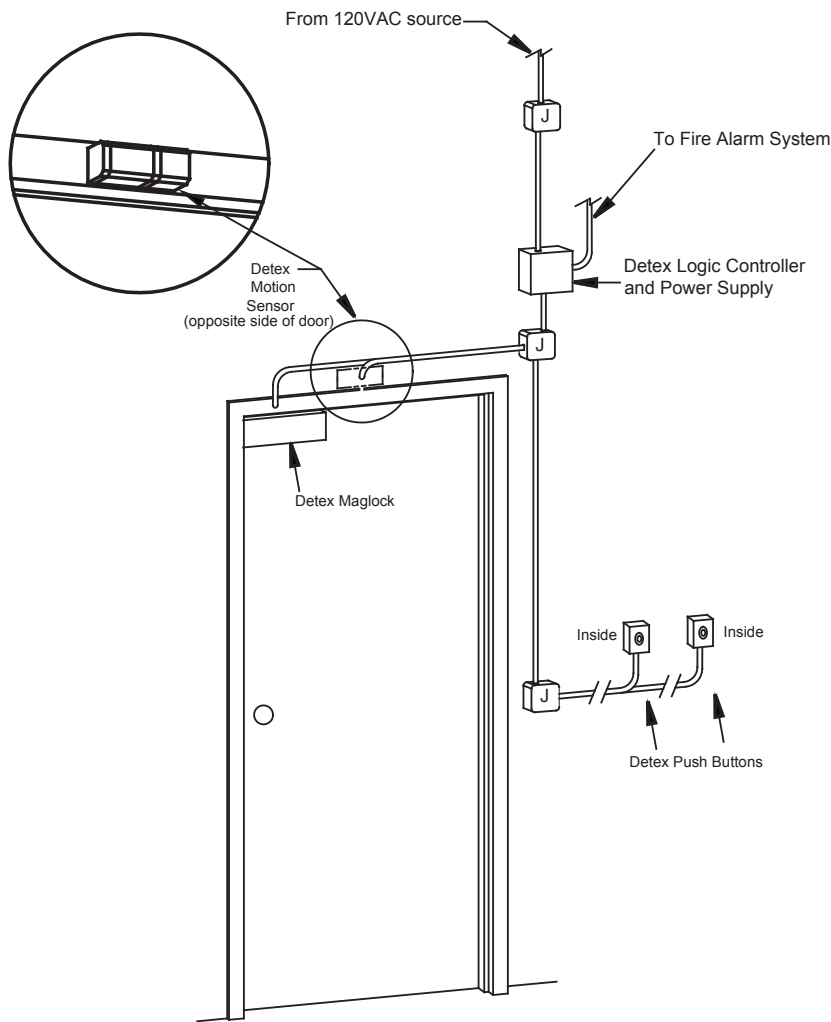
---

#### Technical Information

- Door Types - Wood, Hollow Metal, Fiberglass or Aluminum



## Riser Diagram



## Detex Limited Warranty

3 Year Limited Manufacturers  
Warranty

*Where Trust is Built™*  
**DETEX®**  
*Integrated Door Security Systems*

Detex Corporation  
302 Detex Drive  
New Braunfels, Texas 78130-3045 USA  
PH. (830) 629-2900  
(800) 729-3839  
FAX (830) 620-6711  
(800) 653-3839  
<http://www.detex.com>  
USA Sales:  
[marketing@detex.com](mailto:marketing@detex.com)  
International Sales:  
[export@detex.com](mailto:export@detex.com)

# EasyKit®

## ACDxEAX-2500Sx1S-X Access Controlled Doors

The ACDxEAX-2500 EasyKit offers industry-proven security hardware for exit doors. With its 100db horn and strobe, it is designed for use in environments where loud noises could possibly mask the sound of the alarm alone, which would sound when an unauthorized use of the exit occurs. The strobe gives you the visual indication in the event you can not hear the alarm.



Exit Alarm



Magnetic Switch



Power Supply



Horn/Strobe

ACDxEAX-2500Sx1S-5FXG (shown)

### Benefits

- Field selectable features allow customer to choose status indicators and auto rearm options
- 100dB piezo horn provides security for restricted doors
- Easy to install using ordinary tools
- Strobe provides visual indication when door is violated
- 90-800 power supply provides power for entire system
- Point to Point Wiring Diagram

### Features

- Surface & Flush mount available
- Horn/Strobe has plastic, weatherproof back box
- Tamper resistant housing and cover protects electronics from manipulation
- Low battery alert is field selectable
- Alarm status indicator is field selectable

### Mechanical Options

- KS - Key Stop (Key removed only when armed)
- Additional magnetic switch for double door applications
- EAX-2500 Flush or Surface

### Electrical Options

- Configuration allows the EasyKit to match your field voltage (277V, 120V)

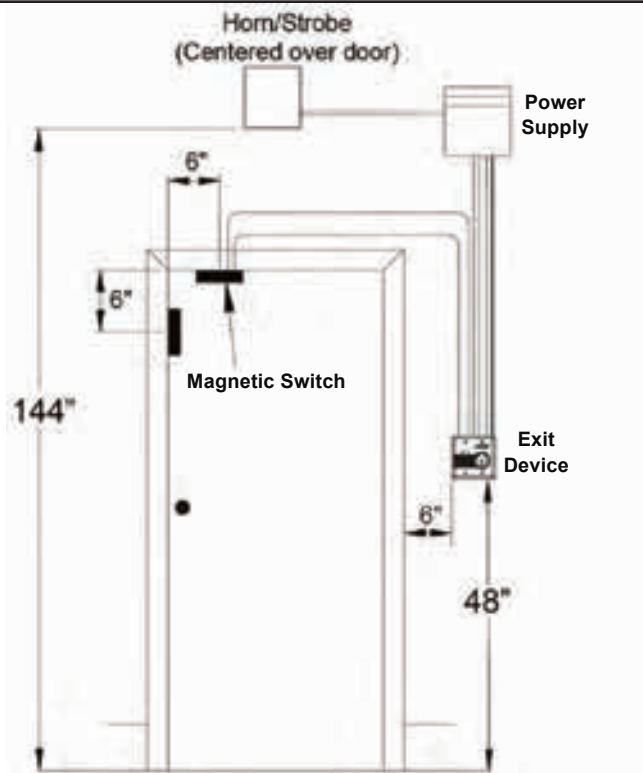
### Accessories

- MC65 - Mortise cylinder installed at factory
- IC7 - Interchangeable housing installed at factory

### Finishes

- Grey (Std.)
- Black

### Riser Diagram



### Detex Limited Warranty

3 Year Manufacturers Limited Warranty

### Listings and Approvals

EAX-2500S

**BHMA** ANSI/BHMA  
CERTIFIED A156.29

90-800

**cUL** US UL Listed

Horn/Strobe



Where Trust is Built™

**DETEX**®

Integrated Door Security Systems

Detex Corporation  
302 Detex Drive  
New Braunfels, Texas 78130-3045 USA  
PH. (830) 629-2900  
(800) 729-3839  
FAX (830) 620-6711  
(800) 653-3839  
<http://www.detex.com>  
USA Sales:  
[marketing@detex.com](mailto:marketing@detex.com)  
International Sales:  
[export@detex.com](mailto:export@detex.com)



## DEx10 DEx20/21 DEx30 DEx40 DEx50/51 Delayed Egress

The DE EasyKits provide a secure 2-point locking system with 15-second delay and 100dB alarm when someone attempts to exit. The DE EasyKit is ideal for retail stores, healthcare, assisted-living facilities, childcare, sports arenas and any location where a special locking delayed exit is required to prevent theft or to protect those trying to exit.



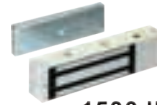
Logic Controller/  
Power Supply

POP UP! ALARM SOUNDS  
DOOR CAN BE OPENED IN 15 SECONDS



Advantex  
Exit Device

Code Compliant  
Door Sign



1500 lb.  
Electromagnetic  
Lock



Horn



Also Includes:  
Mortise Cylinder,  
Riser Illustration  
and  
Wiring Diagram

Key Switch

(Shown with 10 Series Rim Exit Device - Available with 10/40 Rim, 30 Mortise and 20/21/50/51 Surface Vertical Rod Devices)

### Benefits

- Best-in-class components provide for fast, easy installation
- All hardware items provided with one easy-to-order, easy-to-specify part number
- Controls foot traffic, deters unauthorized exits, reduces employee and customer theft while providing a life safety, code-compliant application
- Key switch with LED's and horn are mounted on the wall, protecting the electronics from swinging into the weather

### Features

- Configured Delayed Egress EasyKit includes all hardware, instructions, riser illustration and point-to-point wiring diagram
- Factory-programmed, pre-wired delayed egress controller / power supply
- Advantex panic device has stainless steel deadlocking Pullman-type latch bolt
- 100dB Alarm
- Electromagnetic lock has 1500+ lbs of holding force
- Form C, momentary key switch with green and red LEDs, arms, disarms and resets system
- Code-compliant delayed egress signage
- Hardware is non-handed (10/40) or reversible
- Fire Alarm override connected at controller / power supply
- Remote bypass and signaling options available
- Heavy-duty angled end cap deflects damage away from panic device
- Available in various configurations, for single and paired openings
- Easily add various access control options with or without an anti-tailgating option

### Mechanical Options

- F - 3-Hour Fire Rated
- H - Hurricane Rated
- CD - Cylinder Dogging
- LD - Less Dogging
- 36 - Fits 36" Door Width (Std.)
- 48 - Fits 48" Door Width
- 99 - Surface Strike
- 98 - Semi Mortise Strike

### Electrical Options

- 1 to 3 second adjustable nuisance alarm
- 120 Volt in/24 Volt out (Std.)
- Also available 277 Volt and 240 Volt

## Accessories

- SN1 – Sex Nut Fasteners
- SSK - Torx Security Screw Kit
- Various brackets/spacers for Magnetic Lock(s)
- GB - Glass Bead Kits

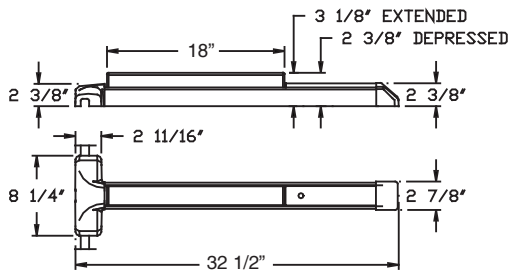
## Technical Information

- Door Types - Wood, Hollow Metal, Fiberglass or Aluminum
- Minimum Stile - Advantex 10, 20 Series: 4-5/8" with surface strike or 4-1/8" with optional semi-mortise strike
- Minimum Stile - Advantex 40, 50 Series: 2" with standard semi-mortise strike or 2-1/2" with optional surface strike

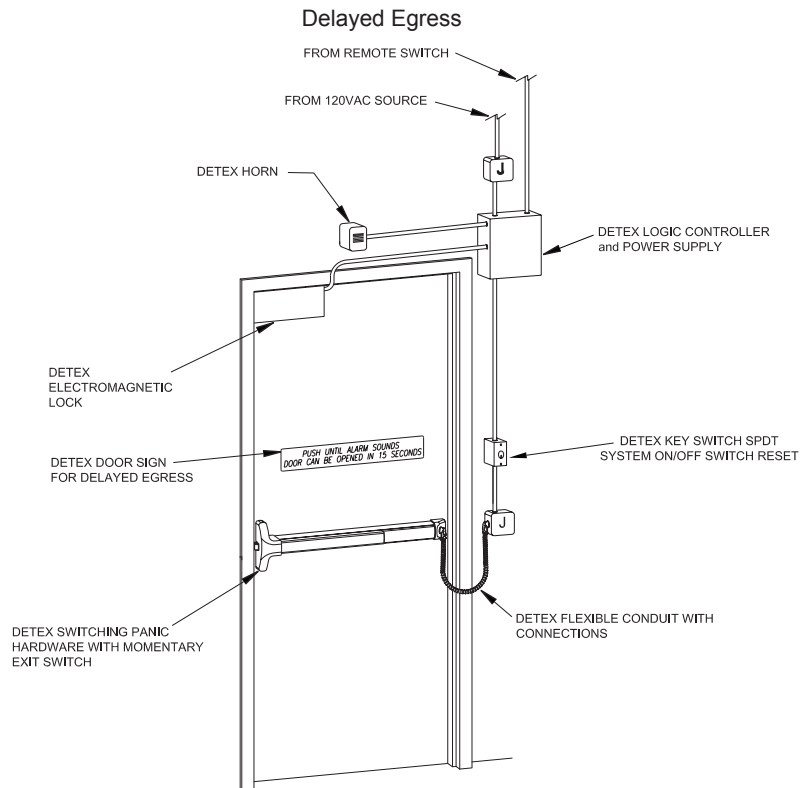
## Finishes

605 / US3	Polished Brass	612 / US10	Brushed Bronze	629 / US32	Polished Stainless Steel
606 / US4	Brushed Brass	613 / US10B	Oil Rubbed Bronze	630 / US32D	Brushed Stainless Steel
611 / US9	Polished Bronze				

## Dimensions - (10 Series Shown)



## Riser Diagram



## Listings and Approvals Advantex

- UL Listed Panic Hardware
- UL Listed Fire Exit Hardware for 3 hours, maximum
- 4'x10' single doors and pairs of 4'x8' with F90KR key removable Mullion
- Meets ADA requirements
- UBC 97, Standard 7-2 and UL10C for positive pressure
- ANSI/BHMA certified A156.3
- Meets NFPA 80 & 101 for Life Safety
- Miami-Dade County, Florida NOA 10-0303.02 EXP. 04/07/15 } 10/40 Series Only
- State of Florida Approval FL9052
- California State Fire Marshall - 4140-0127:105 and 3725-0127:108

## Detex Limited Warranty

Advantex - 10 Year Mechanical / 3 Year Electrical Manufacturers Limited Warranty

*Where Trust is Built™*  
**DETEX®**  
*Integrated Door Security Systems*

Detex Corporation  
 302 Detex Drive  
 New Braunfels, Texas 78130-3045 USA  
 PH. (830) 629-2900  
 (800) 729-3839  
 FAX (830) 620-6711  
 (800) 653-3839  
<http://www.detex.com>  
 USA Sales:  
[marketing@detex.com](mailto:marketing@detex.com)  
 International Sales:  
[export@detex.com](mailto:export@detex.com)

# EasyKit®

## WDEx10

### Weatherized Delayed Egress

The WDE EasyKits provide a secure 2-point locking system with 15-second delay and 100dB alarm when someone attempts to exit. The WDE EasyKit is perfect for garden center gates amusement parks, sports arenas and any location exposed to weather or moisture where delayed exit is required. Although ideal in helping prevent theft, in applications such as outdoor childcare and assisted living homes, WDE EasyKit can also be used to help protect those trying to exit.



Shown with 10 Series Rim Exit Device - Available with 10/40 Rim (For Mortise and Vertical Rod Applications contact factory)

### Benefits

- Best-in-class components provide for fast, easy installation
- All hardware items provided with one easy-to-order, easy-to-specify part number
- Immersion-proof switching and corrosion resistant components provide years of trouble-free service
- Controls foot traffic, deters unauthorized exits, reduces employee and customer theft while providing a life safety, code compliant application

### Features

- Configured Weatherized Delayed Egress EasyKit includes all hardware, instructions, riser illustration and point-to-point wiring diagram
- Factory-programmed, pre-wired, delayed egress controller/power supply
- NEMA 4X enclosure protects controller/power supply from moisture and corrosive elements
- Advantex Weatherized panic device has stainless steel dead-locking Pullman-type latch bolt
- 10 ft. flex conduit loop
- Outdoor electromagnetic lock has 1500+ lbs of holding force
- Form C, momentary key switch with green and red LEDs, arms, disarms and resets system
- Outdoor protective key switch cover
- Outdoor horn has various field-adjustable tone and decibel settings. Strobe also available.
- Outdoor, code-compliant delayed egress signage
- All hardware is non-handed
- Fire Alarm override connected at controller/power supply
- Remote bypass and signaling options available
- Heavy-duty angled end cap deflects damage away from panic device
- Available in various configurations, for single and paired openings

### Mechanical Options

- F - 3-Hour Fire Rated
- H - Hurricane Rated
- CD - Cylinder Dogging
- HD - Hex Dogging
- LD - Less Dogging (Std.)
- 36 - Fits 36" Door Width (Std.)
- 48 - Fits 48" Door Width
- 99 - Surface Strike (Std.)
- 98 - Semi Mortise Strike

### Electrical Options

- 1 to 3 second code-compliant field-adjustable nuisance alarm
- 120V AC (Std.)
- Also available 277V and 240V logic controller/power supply

## Accessories

- SN1 – Sex Nut Fasteners
- SSK - Torx Security Screw Kit
- Z bracket spacers for Magnetic Lock(s)
- GB - Glass Bead Kits

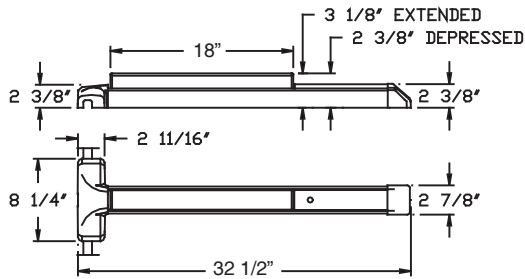
## Technical Information

- Door Types - Hollow Metal, Fiberglass or Aluminum
- Stile - Advantex fits minimum 4-5/8" with 99 strike
- Gate plate must accommodate panic device, see dimensions
- Gate Types - Gate plate must be at least 32" wide
- 1/4" maximum for vertical gap between gate and strike post

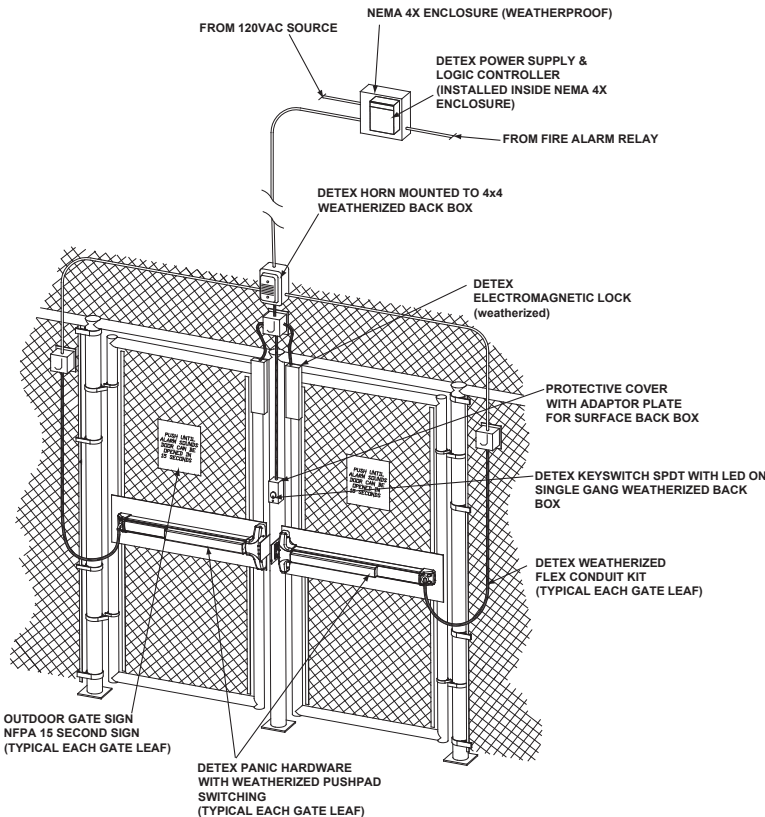
## Finishes

605 / US3	Polished Brass	612 / US10	Brushed Bronze	629 / US32	Polished Stainless Steel
606 / US4	Brushed Brass	613 / US10B	Oil Rubbed Bronze	630 / US32D	Brushed Stainless Steel
611 / US9	Polished Bronze				

## Dimensions - (10 Series Shown)



## Riser Diagram



## Listings and Approvals Advantex

- UL Listed Panic Hardware
- UL Listed Fire Exit Hardware for 3 hours, maximum
- 4'x10' single doors and pairs of 4'x8' with F90KR key removable Mullion
- Meets ADA requirements
- MIL-STD 810F, Method 506.4 (Driving Rain Test)
- MIL-STD 810F, Method 509.4 (Salt fog Test)
- UBC 97, Standard 7-2 and UL10C for positive pressure
- ANSI/BHMA certified
- Meets NFPA 80 & 101 for Life Safety
- Miami-Dade County, Florida } 10/40 Series  
NOA 10-0303.02 EXP: 04/07/15 } Only  
State of Florida Approval FL9052
- California State Fire Marshall - 4140-0127:105 & 3725-0127:108

## Detex Limited Warranty

Advantex - 10 Year Mechanical /  
3 Year Electrical Manufacturers  
Limited Warranty

*Where Trust is Built™*  
**DETEX®**  
*Integrated Door Security Systems*

Detex Corporation  
302 Detex Drive  
New Braunfels, Texas 78130-3045 USA  
PH. (830) 629-2900  
(800) 729-3839  
FAX (830) 620-6711  
(800) 653-3839  
<http://www.detex.com>  
USA Sales:  
[marketing@detex.com](mailto:marketing@detex.com)  
International Sales:  
[export@detex.com](mailto:export@detex.com)

# EasyKit®

## EDx10 EDx20/21 EDx30 EDx40 EDx50/51 Electric Dogging

---

The Electric Dogging EasyKits are designed for entrance and exit doors that require panic or fire exit hardware. When energized, and after the pushpad is depressed, the pushpad and the latch bolt remain retracted, providing push-pull operation. Relocking all devices is accomplished by using a single switch or through a fire alarm input. All components required for this installation are included in one easy-to-order kit.



### Also Included:

- Outside Trim (Call Factory for Options)
- Wiring Diagram

(Shown on 10 Series Rim Exit Device - Available with 10/40 Rim, 30 Mortise and 20/21/50/51 Surface Vertical Rod Devices)

### Benefits

---

- Best-in-class components provide for fast, easy installation
- All components included in one, easy-to-specify part number
- Great for locking down large campuses, using a single switch

### Features

---

- Configured Electric Dogging EasyKit includes all hardware, instructions, riser illustration and point-to-point wiring diagram
- Advantex panic device has stainless steel deadlocking Pullman-type latch bolt
- Heavy-duty angled end cap deflects damage away from panic device
- Exit hardware (10/40) is non-handed or reversible
- Available in various configurations, for single or paired openings

### Mechanical Options

---

- F - 3-Hour Fire Rated exit device
- 36 - Fits 36" door width (Std.)
- 99 - Surface strike (Std.)
- 48 - Fits 48" door width
- 98 - Semi mortise strike

### Accessories

---

- SN1 - Sex Nut Fasteners
- Various configurable cylinder trims, pulls and levers (Call factory for specific details)
- GB# - Glass Bead Kits

### Electrical Options

---

- Request to Exit (EX)
- 80-800 Power Supply - 24VDC filtered, regulated with fire loop connection
- PP-5152-2 24VAC Transformer



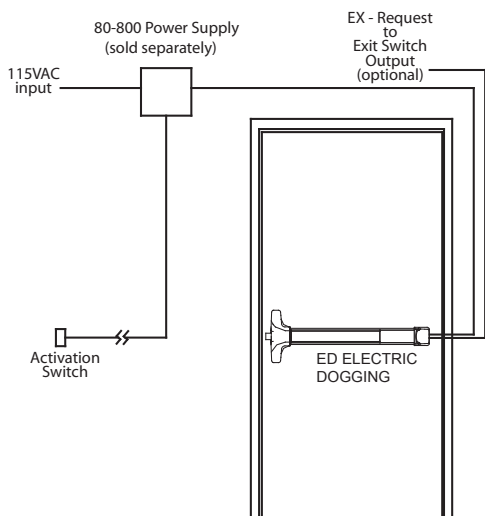
## Technical Information

- Door Types - Wood, Hollow Metal, Fiberglass or Aluminum
- Door Thickness - Fits standard 1-3/4" - 2-1/4" (for other door thicknesses, contact factory)
- Door Stile - Fits Minimum 4-5/8" with 99 strike (Std.)
- Door Stile - Fits Minimum 4-1/8" with 98 strike
- Machine and Sheet Metal Screws (Std.)
- Rail is heavy ribbed aluminum extrusion

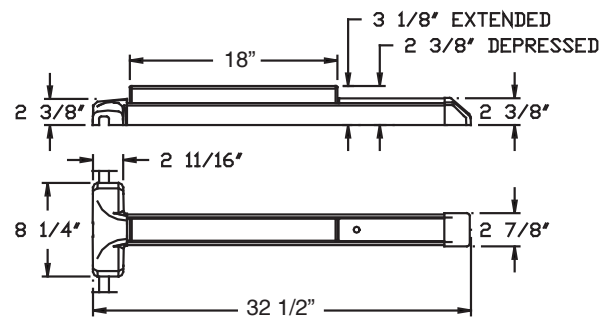
## Finishes (Advantex)

- 605 / US3 - Polished Brass
- 606 / US4 - Brushed Brass
- 611 / US9 - Polished Bronze
- 612 / US10 - Brushed Bronze
- 613 / US10B - Oil Rubbed Bronze
- 629 / US32 - Polished Stainless Steel
- 630 / US32D - Brushed Stainless Steel

## Riser Diagram



## Dimensions

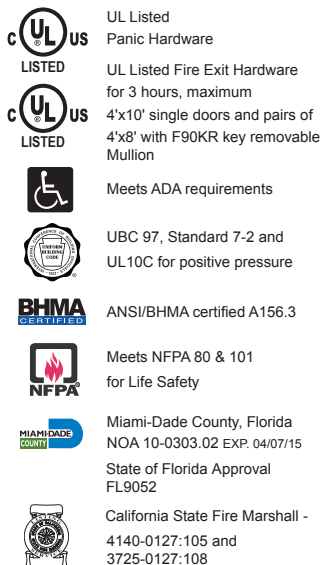


10 Series Dimensions Shown

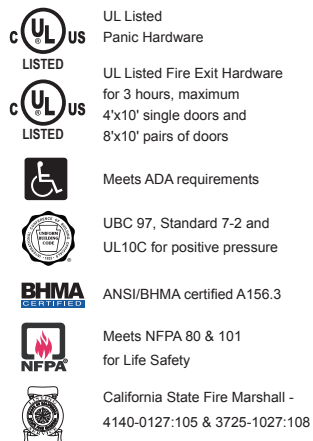
## Detex Limited Warranty

Advantex - 10 Year Mechanical /  
3 Year Electrical Manufacturers  
Limited Warranty

## Listings and Approvals (on 10 and 40 Series Devices)



## Listings and Approvals (on 20/21/50/51 Series Devices)



Where Trust is Built™

**DETEX**®

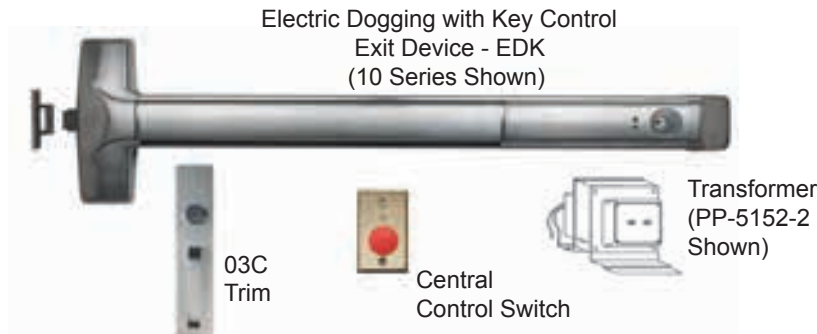
Integrated Door Security Systems

Detex Corporation  
302 Detex Drive  
New Braunfels, Texas 78130-3045 USA  
PH. (830) 629-2900  
(800) 729-3839  
FAX (830) 620-6711  
(800) 653-3839  
<http://www.detex.com>  
USA Sales:  
[marketing@detex.com](mailto:marketing@detex.com)  
International Sales:  
[export@detex.com](mailto:export@detex.com)

# EasyKit®

## EDKx10 EDKx20/21 EDKx30 EDKx40 EDKx50/51 Electric Dogging for Lockdown

The Electric Dogging EasyKits are designed for any door in any type of building where imminent danger to occupants requires immediate and simultaneous locking of multiple doors within the facility. When energized, and after the pushpad is depressed, the pushpad and the latch bolt remain retracted, providing push-pull operation. On-board key switch provides complete control of each device to key-holder. Immediate relocking of all devices is accomplished by using an external single switch or through a fire alarm input. LEDs offer visual indications of system status. All components required for this installation are included in one easy-to-order kit. For facilities with multiple doors, additional kits, without the central control switch, can be ordered.



### Also Included:

Outside Trim (Call Factory for Options)

Wiring Diagram

(Shown on 10 Series Rim Exit Device - Available with 10/40 Rim, 30 Mortise and 20/21/50/51 Surface Vertical Rod Devices)

### Benefits

- Best-in-class components provide for fast, easy installation
- Red and Green LED's provide line-of-sight status indication
- Great for locking down large campuses, using a single switch
- On board key switch provides easy on-off switching for individual door control
- All components included in one, easy-to-specify part number

### Features

- Configured Electric Dogging EasyKit includes all hardware, instructions, riser illustration and point-to-point wiring diagram
- Advantex panic device has stainless steel deadlocking Pullman- type latch bolt
- Heavy-duty angled end cap deflects damage away from panic device
- Exit hardware (10/40) is non-handed or reversible
- Available in various configurations, for single or paired openings

### Mechanical Options

- F - 3-Hour Fire Rated exit device
- 36 - Fits 36" door width (Std.)
- 99 - Surface strike (Std.)
- 48 - Fits 48" door width
- 98 - Semi mortise strike

### Accessories

- SN1 - Sex Nut Fasteners
- Various configurable cylinder trims, pulls and levers (Call factory for specific details)
- GB# - Glass Bead Kits

### Electrical Options

- Request to Exit (EX)
- 80-800 Power Supply - 24VDC filtered, regulated with fire loop connection
- PP-5152-2 24VAC Transformer
- ED without key control can be ordered for doors that do not require individual control

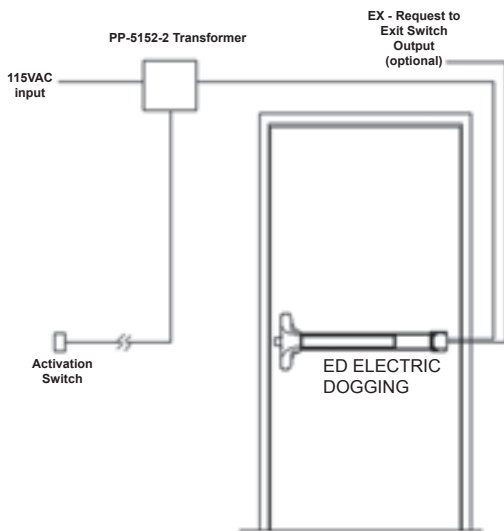
## Technical Information

- Door Types - Wood, Hollow Metal, Fiberglass or Aluminum
- Door Thickness - Fits standard 1-3/4" - 2-1/4" (for other door thicknesses, contact factory)
- Door Stile - Fits Minimum 4-5/8" with 99 strike (Std.)
- Door Stile - Fits Minimum 4-1/8" with 98 strike
- Machine and Sheet Metal Screws (Std.)
- Rail is heavy ribbed aluminum extrusion

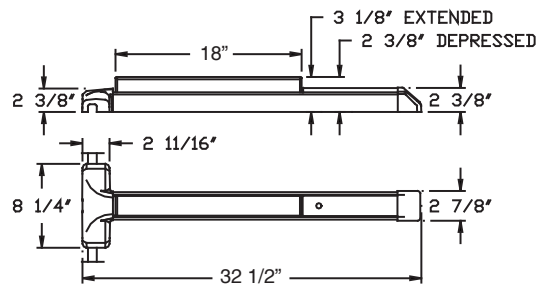
## Finishes (Advantex)

- 605 / US3 - Polished Brass
- 606 / US4 - Brushed Brass
- 611 / US9 - Polished Bronze
- 612 / US10 - Brushed Bronze
- 613 / US10B - Oil Rubbed Bronze
- 629 / US32 - Polished Stainless Steel
- 630 / US32D - Brushed Stainless Steel

## Riser Diagram



## Dimensions



10 Series Dimensions Shown

## Detex Limited Warranty

Advantex - 10 Year Mechanical /  
3 Year Electrical Manufacturers  
Limited Warranty

## Listings and Approvals (on 10 and 40 Series Devices)

- UL Listed Panic Hardware
- UL Listed Fire Exit Hardware for 3 hours, maximum
- 4'x10' single doors and pairs of 4'x8' with F90KR key removable Mullion
- Meets ADA requirements
- UBC 97, Standard 7-2 and UL10C for positive pressure
- ANSI/BHMA certified A156.3
- Meets NFPA 80 & 101 for Life Safety
- Miami-Dade County, Florida NOA 10-0303.02 EXP. 04/07/15
- State of Florida Approval FL9052
- California State Fire Marshall - 4140-0127:105 and 3725-0127:108

## Listings and Approvals (on 20/21/50/51 Series Devices)

- UL Listed Panic Hardware
- UL Listed Fire Exit Hardware for 3 hours, maximum
- 4'x10' single doors and 8'x10' pairs of doors
- Meets ADA requirements
- UBC 97, Standard 7-2 and UL10C for positive pressure
- ANSI/BHMA certified A156.3
- Meets NFPA 80 & 101 for Life Safety
- California State Fire Marshall - 4140-0127:105 & 3725-1027:108

Where Trust is Built™

**DETEX**®

Integrated Door Security Systems

Detex Corporation  
302 Detex Drive  
New Braunfels, Texas 78130-3045 USA  
PH. (830) 629-2900  
(800) 729-3839  
FAX (830) 620-6711  
(800) 653-3839  
<http://www.detex.com>  
USA Sales:  
[marketing@detex.com](mailto:marketing@detex.com)  
International Sales:  
[export@detex.com](mailto:export@detex.com)

# EasyKit®

## AODx10 AODx20/21 AODx30 AODx40 AODx50/51 Automatic Operated Doors

The AOD EasyKits provide a pre-wired Automatic Operated Door system. Ideal ADA access at healthcare facilities, assisted living homes, main public entrances, places of worship, convention centers, sports arenas and any location requiring low energy, automatic operated doors with an exit device. The AOD EasyKit includes the Advantex Latch Retraction exit device, and the AO19 low-energy door operator, with a built-in, pre-wired power supply.



Shown with 10 Series Rim Exit Device - Available with 10/40 Rim, 30 Mortise and 20/21/50/51 Surface Vertical Rod Devices

### Benefits

- Automatic Operator is pre-wired with the latch retraction power supply, making installation fast and easy
- Best-in-class components provide years of trouble-free operation
- The reliable AO19 offers all the features you expect in an automatic door operator at no extra cost
- Turnkey, complete with everything needed, without a complicated installation job
- All hardware items, plus riser and wiring diagrams provided with one easy-to-order, easy-to-specify part number

### Features

- AO19 includes adjustable time delay, push-and-go reverse on obstruction and sequencing for vestibule doors
- Stainless steel deadlocking Pullman type latch bolt
- Heavy-duty angled end cap deflects damage away from panic device
- Available in various configurations, for single and paired openings
- Easily add various access control options with or without an anti-tailgating option

### Mechanical Options

- AO19 available Left Hand (LH), Right Hand (RH), Push or Pull, Aluminum (AL) or Dark Bronze (BZ)
- EasyKits available with various rim, surface vertical rod, and mortise exit devices to fit various single, pairs and double egress applications
- 36 - Fits 36" Door Width (Std.)
- 48 - Fits 48" Door Width
- F - 3-Hour Fire Rated
- 99 - Surface Strike (Std.)
- 98 - Semi Mortise Strike

### Electrical Options

- 120 Volt in / 24 Volt out (Std.)
- Also available 277V and EE - Electric Delayed Egress

### Accessories

- SN1 – Sex Nut Fasteners
- GB# - Glass Bead Kits

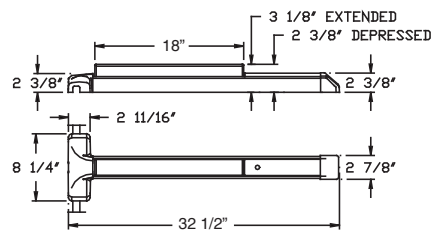
## Technical Information

- Door Types - Wood, Hollow Metal, Fiberglass or Aluminum
- Minimum Stile - Advantex 10, 20 Series: 4-5/8" with surface strike or 4-1/8" with optional semi-mortise strike
- Minimum Stile - Advantex 40, 50 Series: 2" with standard semi-mortise strike or 2-1/2" with optional surface strike

## Finishes (Advantex Products Only)

605 / US3	Polished Brass	612 / US10	Brushed Bronze	629 / US32	Polished Stainless Steel
606 / US4	Brushed Brass	613 / US10B	Oil Rubbed Bronze	630 / US32D	Brushed Stainless Steel
611 / US9	Polished Bronze				

## Dimensions (10 Series Shown)



## Listings and Approvals AO19



Certified to ANSI/UL 325-2006 Tested - ANSI 156.10 and 156.19



Meets ADA requirements



Certified to CAN/CSA 247-92



3-Hour Fire Listed

## Listings and Approvals Advantex 10/40 Series



UL Listed Panic Hardware



UL Listed Fire Exit Hardware for 3 hours, maximum



4x10' single doors and pairs of 4'x8' with F90KR key removable Mullion



Meets ADA requirements



UBC 97, Standard 7-2 and UL10C for positive pressure



ANSI/BHMA certified A156.3



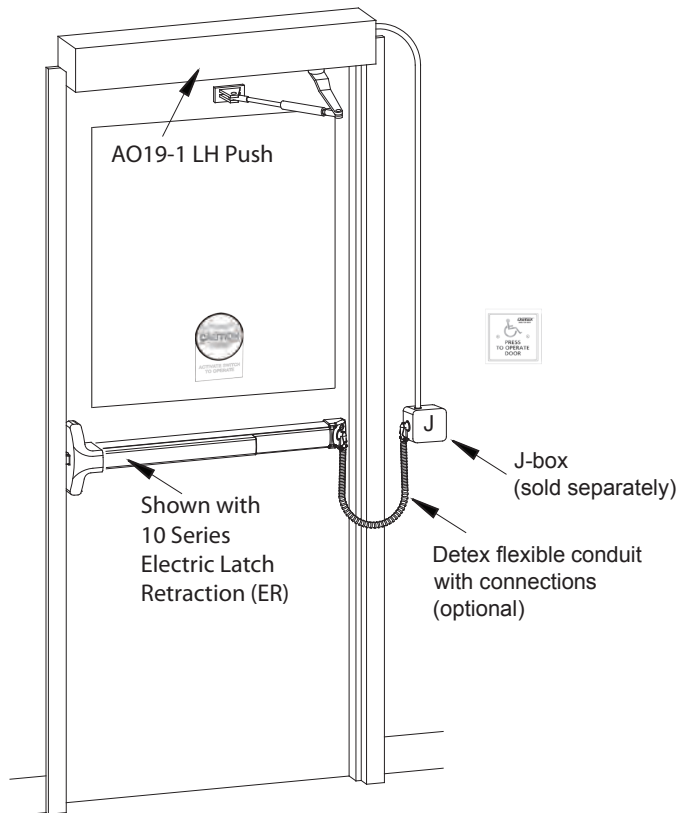
Meets NFPA 80 & 101 for Life Safety

Miami-Dade County, Florida } 10/40 Series  
NOA 10-0303.02 EXP. 04/07/15 } Only

State of Florida Approval FL9052

California State Fire Marshall -  
4140-0127-105 and  
3725-0127-108

## Riser Diagram



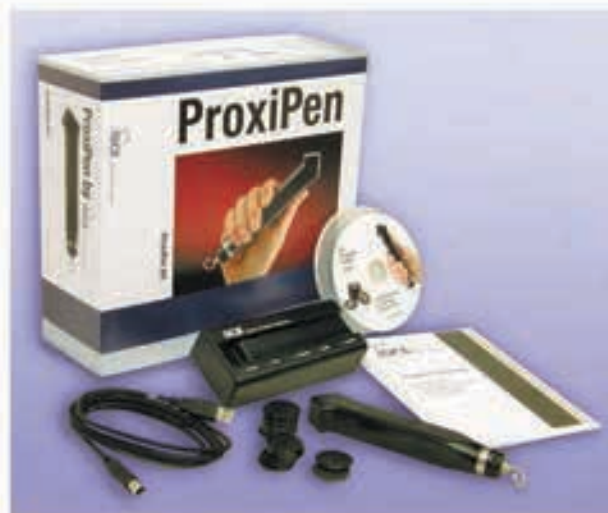
## Detex Limited Warranty

Advantex - 10 Year Mechanical /  
3 Year Electrical Manufacturers  
Limited Warranty

*Where Trust is Built™*  
**DETEX®**  
*Integrated Door Security Systems*

Detex Corporation  
302 Detex Drive  
New Braunfels, Texas 78130-3045 USA  
PH. (830) 629-2900  
(800) 729-3839  
FAX (830) 620-6711  
(800) 653-3839  
<http://www.detex.com>  
USA Sales:  
[marketing@detex.com](mailto:marketing@detex.com)  
International Sales:  
[export@detex.com](mailto:export@detex.com)

# ***Safety, Security and Risk Management***



**PROXIPEN**

# ProxiPen



## Compact Reader for RFID Tags

---

In today's rapidly-changing information society, large corporations and small companies alike increasingly require modern data collection and auto-ID systems. To meet these demands, GCS has developed an innovative data acquisition unit, the "ProxiPen." The ProxiPen reads radio frequency identification (RFID) tags and other transponders automatically, and can fully satisfy the data collection needs of both commercial and industrial applications.



### Benefits

---

- ProxiPen can read RFID tags even if they are wet, frosty, dirty, greasy, or painted over
- RFID tags can be concealed behind wallpaper, wallboard, plaster, paneling, mirrors or any other nonmetallic surface - a real plus in applications where aesthetics or vandalism are considerations
- ProxiPen "autosenses" and reads RFID tags whenever they come into its reading range
- Low power consumption - requires one "AA" commercial alkaline, lithium or rechargeable battery that can be replaced by user without any special tools
- High memory capacity (4,063 readings) - can be used for long periods in the field without the need for frequent downloading
- Easy to use; no external controls

### Features

---

- Compact, lightweight, simple to operate
- Tough waterproof polycarbonate housing
- Resists heat, shock and hydrocarbons
- Powered by one "AA" commercial alkaline, lithium or rechargeable battery
- Reads RFID proximity tags
- Provides visible and audible indications to confirm information has been read

### Applications

---

- Guard Tour
- Maintenance
- Recording Service Activities
- Cleaning
- Attendance

## Technical Information

---

- Dimensions: 6.5"L x 1.26"W x 0.98"H (L165 x W32 x H25mm)
- Weight: 4.94 oz. (142g)
- Operating Temperature Range: -4°F to +158°F (-20°C to +70°C)
- Internal Protection Grade: IP67
- Mechanical Shock Resistance: Free fall from 5 ft. (1.5m) on concrete
- TAG Frequency: 125 kHz
- Reading Distance: 0.12" to 0.71" (3-18mm) depending on size of transponder and condition of battery. Reads through nonmetallic materials.
- Approved Tags: World TAG Unique dia. 1.18" (30mm); World TAG NOVA brick 0.2" (3mm); World TAG NOVA dia. 0.79"/1.18"/1.97" (20/30/50mm); Protag
- Memory Capacity: 4,063 readings
- Time Resolution: 1 minute
- Data Transfer: By RFID; 2400 to 57600 Baud
- Download Time: Approx. 1 minute (full memory)
- Housing: Polycarbonate
- Potting Material: Silicon or equivalent
- Power Supply: One "AA" cell, 1.5v
- Approved Batteries: Duracell® Ultra; Energizer® HI Energy lithium; Duracell Supreme AA 2650 mAh Rechargeable
- Time Permitted for Battery Change: 3 minutes maximum
- Battery Life in Standby Mode: Approx. 1 year
- Number of Readings with one Approved Alkaline Battery: Approx. 50,000
- EMC: EN 55022, EN 61000 4-3, EN 61000 4-2
- Accessories: Leather holster with belt clip

## Detex Limited Warranty

---

3 Year Limited Manufacturers Warranty



Detex Corporation  
302 Detex Drive  
New Braunfels, Texas 78130-3045 USA  
PH. (830) 629-2900  
(800) 729-3839  
FAX (830) 620-6711  
(800) 653-3839  
<http://www.detex.com>  
USA Sales:  
[marketing@detex.com](mailto:marketing@detex.com)  
International Sales:  
[export@detex.com](mailto:export@detex.com)



# ProxiPen Kit



## Proximity-Based Guard Tour Verification System

The GCS® ProxiPen Kit from Detex is the total solution for your guard tour verification requirements and other data collection tasks. It includes everything you need to quickly and easily set up a complete guard tour system that features the innovative ProxiPen RFID tag reader and user-friendly TopGuard Patrol communication and reporting software.



### Features and Benefits

- ProxiPen's data points are RFID tags, which ProxiPen senses and reads automatically whenever they come into its reading range
- ProxiPen can read a tag even if it is wet, frosty, dirty, greasy, or painted over.
- ProxiPen's RFID tags may be concealed behind wallpaper, sheetrock, plaster, paneling, mirrors or any other nonmetallic surface; a real plus in applications where aesthetics or vandalism are considerations.
- ProxiPen is compact, lightweight and easy to use, with no external controls.
- Correct data readings are confirmed by visible and audible signals.
- ProxiPen's electronics are sealed in a tough polycarbonate housing, making the reader completely waterproof and shock-resistant.
- ProxiPen delivers 50,000 data readings from one "AA" battery, which is user-changeable without tools (or loss of data, which is preserved in non-volatile memory).
- ProxiPen's anti-tampering features discourage unauthorized battery removal.
- TopGuard Patrol software makes it easy to set up tours, download and evaluate collected data and prepare reports, which may be saved and/or e-mailed in HTML or PDF format.
- TopGuard Patrol is easily customized to accommodate any data collection application, including maintenance, service, cleaning, attendance and asset tracking. Control points, incidents, personnel, equipment, inventory or activities can be assigned to an RFID tag.
- An optional PLUS version of TopGuard Patrol provides extended capacity, more reporting options and other advanced, high-utility features.
- The TopGuard Patrol software can be used with other GCS data acquisition hardware—including the popular Escorte system—in combination with the ProxiPen if so desired.



## Kit Contents

---

<u>Qty.</u>	<u>Part No.</u>	<u>Description</u>
1	PROXIPEN-2	ProxiPen RFID Tag Reader
1	GCS-PP-DTU	Data Transfer Unit (DTU) for ProxiPen (serial or USB port)
1	GCS-PP-DTU-USB	USB Data Cable for ProxiPen DTU
1	GCS-TGP	TopGuard Patrol Software*
20	GCS-PP-TAG30-U	RFID Tag, 30mm diameter

### System Requirements

#### **Minimum System:**

- Intel® 486 processor (or compatible)
- 16 MB RAM
- 50 MB hard disk
- Screen resolution 800 x 600
- USB port (for DTU)

#### **Recommended System:**

- Intel® Pentium® Dual-Core E5700 3.0 GHz processor (or compatible)
- 2 GB RAM
- 500 GB hard disk
- Screen resolution 1024 x 768
- USB port (for DTU)

Works under Windows® 2000, XP, Vista and Windows 7.

The TopGuard Patrol software can be used on a stand-alone PC or on a workstation in a network. There is not a network version of TopGuard Patrol; however, multiple workstations having TopGuard Patrol PLUS installed can be configured to share downloaded data and produce reports independently.

**NOTE:** The optional TopGuard Patrol PLUS software also requires that the PC have an additional USB port, as it includes a copy protection device that must be attached to a USB port in order for the software to operate.

### Options & Accessories

- ProxiPen Holster (GCS-PP-HOL)
- Belt Clips for ProxiPen Holster (HOLST-PP-CLIP)
- Serial Data Cable for ProxiPen DTU (GCS-PP-DTU-CAB)\*\*\*
- Power Supply for ProxiPen DTU, 120/240 VAC, with USA/UK/EUR adapters (GCS-PP-DTU-PS)\*\*\*
- ProxiPen Incident Book, with 20 RFID tags (GCS-PP-INCBK)
- RFID Tag, 50mm diameter (GCS-PP-TAG50-N)
- RFID Tag, 20mm diameter (GCS-PP-TAG20-N)
- Wristband RFID Tag (GCS-PP-WB-U)
- Proximity RFID Card with Magstripe (GCS-PP-CRD-U)
- Keyfob RFID Tag (GCS-PP-KF-U)
- TopGuard Patrol PLUS Software\*\* (GCS-TGPLUS)

\*\*\* Only required if Data Transfer Unit (DTU) cannot be connected to a USB port

### Detex Limited Warranty

1 Year Limited Manufacturers Warranty (3 years on ProxiPen)

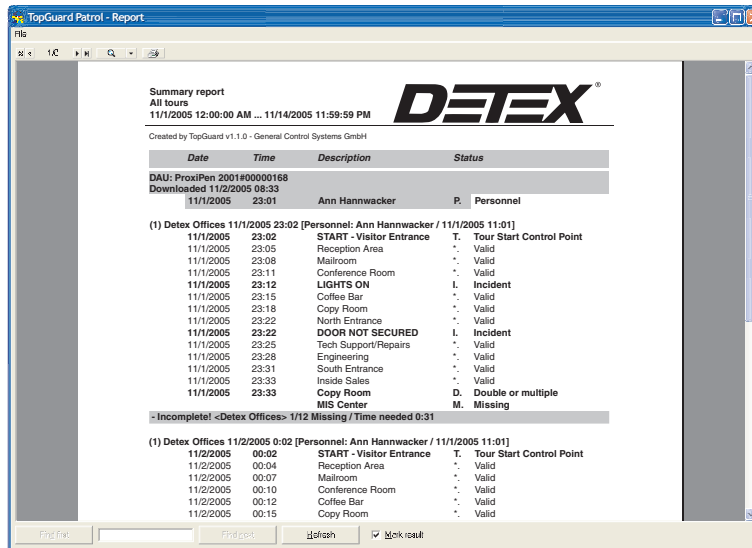


Detex Corporation  
302 Detex Drive  
New Braunfels, Texas 78130-3045 USA  
PH. (830) 629-2900  
(800) 729-3839  
FAX (830) 620-6711  
(800) 653-3839  
<http://www.detex.com>  
USA Sales:  
[marketing@detex.com](mailto:marketing@detex.com)  
International Sales:  
[export@detex.com](mailto:export@detex.com)

\* TopGuard Patrol has been previously released as "WinDau Standard Edition" and "TopGuard Primo."

\*\* TopGuard Patrol PLUS has been previously released as "WinDau Enterprise Edition."

TopGuard Patrol® is a versatile guard tour software application from GCS. It is a communication tool for all GCS data acquisition units, combined with a report generator. It includes a Microsoft® Access database and the most modern programming tools, so it's powerful, yet easy to use. And TopGuard Patrol\* can be quickly configured to display in a variety of languages.



### Benefits

- TopGuard Patrol software makes it easy to set up tours, download and evaluate collected data and prepare reports, which may be saved and/or e-mailed in HTML or PDF format
- PLUS Version provides extended capacity, more reporting options and other advanced, high-utility features
- With fully user-editable text fields, TopGuard Patrol can be customized to accommodate any data collection application, including maintenance, service, cleaning, attendance or asset tracking
- Can be used on a stand-alone PC or on a workstation in a network
- Password requested on startup prevents unauthorized access to master files and configuration of data acquisition units.
- Data is also protected by a CRC checksum to prevent manipulation

### Features

- Uses Microsoft® Access database
- PP-Modem utility allows modem transfer of data from remote sites
- Built-in utility communicates with GCS data acquisition and transfer units - checks battery status, sets date/time, defines dialing parameters for modem transfer
- TopGuard Patrol - Basic Version: Up to 1,750 data media (magnetic data strips, RFID tags or optical bar codes can be programmed as incidents, personnel or control points in up to 16 rounds. Includes one comprehensive evaluation report format.
- TopGuard Patrol PLUS - Enhanced Version: Up to 7,500 data media (magnetic data strips, RFID tags or optical bar codes can be programmed as incidents, personnel or control points in up to 250 rounds. Includes six different report formats with four report options.
- TopGuard Patrol PLUS - Ability to create maps of tours using imported JPG or BMP images

\*TopGuard Patrol has been previously released as "WinDAU Standard Edition" and "TopGuard Primo." TopGuard Patrol PLUS has been previously released as "WinDAU Enterprise Edition."

## Reports (TopGuard Patrol PLUS only)

---

- Six (6) Report Formats:
  - Summary Report
  - Personnel Report
  - Control Point Report
  - Incident Report
  - Break Report
  - Database History Report
- Four (4) Report Options (Summary and Personnel Report only)
  - Print missing control points
  - Print Exceptions
  - Print missing control points
  - Summary only

## System Requirements

---

### Minimum System:

- Intel® 486 processor (or compatible)
- 16 MB RAM
- 50 MB hard disk
- Screen resolution 800 x 600
- USB port (for DTU)

### Recommended System:

- Intel® Pentium® Dual-Core E5700 3.0 GHz processor (or compatible)
- 2 GB RAM
- 500 GB hard disk
- Screen resolution 1024 x 768
- USB port (for DTU)

Works under Windows® 2000, XP, Vista and Windows 7

**NOTE:** In addition, TopGuard Patrol PLUS includes a copy protection device that must be attached to a USB data port on the PC in order for the software to operate.

TopGuard Patrol can be used on a stand-alone PC or on a workstation in a network. There is not a network version of TopGuard Patrol; however, multiple workstations having TopGuard Patrol PLUS installed can be configured to share downloaded data and produce reports independently.

### Password Protection

---

Each time TopGuard Patrol is started, the password is requested. You may log in as the administrator or a user, as required. This prevents unauthorized access to master files and configuration of data acquisition units. The downloaded data is also protected by a CRC checksum to prevent manipulation.

### Programming and Downloading

---

Tours are easily defined by manually entering or downloading control points from a data acquisition unit into a control point "pool." Collected data is evaluated immediately after downloading it to the computer, and within seconds you can view the report on the screen. GCS magnetic data strips, RFID tags and bar codes can be used as control points or for predefined incidents or personnel identification. Reports may be printed, saved to a file or sent by e-mail in native TopGuard Patrol format or as an HTML or Adobe Acrobat® PDF file.

### Configuration of Data Acquisition and Transfer Units

---

The built-in utility function communicates with all GCS ProxiPen and Escorte data acquisition units and the ProxiPen data transfer unit. It can be used to check the battery status, set the date and time, define dialing parameters for data transfer by modem and other tasks.

### Modem Transfer

---

Data transfer by modem allows recorded data to be downloaded from different remote sites to a central station for creating and evaluating reports at one central site. The recorded data stays in the memory of the data acquisition unit until the local modem confirms correct receipt of all data. The PP-Modem utility, included with TopGuard Patrol, communicates with and downloads the remote devices.

### Detex Limited Warranty

---

1 Year Limited Manufacturers Warranty



Detex Corporation  
302 Detex Drive  
New Braunfels, Texas 78130-3045 USA  
PH. (830) 629-2900  
(800) 729-3839  
FAX (830) 620-6711  
(800) 653-3839  
<http://www.detex.com>  
USA Sales:  
[marketing@detex.com](mailto:marketing@detex.com)  
International Sales:  
[export@detex.com](mailto:export@detex.com)

# *Safety, Security and Risk Management*



# Guardzman Watchclock System

## GDS-12

### Mechanical Watchclock

---

The Guardsman provides unique, unbroken, mechanical supervision of your security officers on weekends and during holidays and extended plant closings, as well as on weeknights. The system is simple, reliable and inexpensive.

Unlike most other watchclocks, the Guardsman operates on a continuous roll of tape. This records your security officer's activities for up to 120 hours, if need be, without changing the tape. Good practice forbids the officer from changing the tape himself; insurance regulations prohibit it. Thus, a firm using a watchclock system of lesser recording capacity must have a supervisor return to the plant to change the recording dial every 24 hours. For this, the supervisor often must be paid at overtime rates. The Guardsman's extra capacity eliminates this problem.



**OBSOLETE AS OF  
DECEMBER 31, 2011**

### Benefits -

---

- Provides motivation for security officers to perform their assigned rounds, plus conclusive documentation that they have done so
- Easy to install using simple tools - a drill and a screwdriver
- Helps reduce the risk of fire, burglary, vandalism and industrial mishaps thus saving money on reduced insurance premiums

### Features -

---

- Uninterrupted time-keeping for up to 120 hours
- Highly accurate eight-day shock resistant movement with 11-jeweled escapement
- Requires winding only once per week
- Embossed record made directly from raised numerals on recording keys without ribbon, carbons, or inking devices
- Accommodates up to 40 stations
- Tapes are virtually impossible to counterfeit, alter or tamper with
- Tampering detector indicates if clock has been opened or closed
- Rugged construction, including a die-cast aluminum housing, heat-treated crystal, and a riveted and reinforced case of harness leather

### Operation -

---

- Install a key station at each control point that the officer is to visit during his rounds
- The recording tape has a ruled space for each of the 24 hours of every day. Since the tape is synchronized with the clock mechanism, each time a station is registered, its embossed record follows the previous registration. Any omission by the officer shows up as a prominent white space on the tape.
- To extract the daily - or weekend - record, simply push the tape cutter. You have in your hand a strip of tape which shows instantly where the officer was throughout his tour.
- As the officer visits each control point, he removes the recording key from the station, inserts it into the clock and turns the key. This registers the station number on the recording tape in the clock at the correct time of day.
- When the tape is inspected, any stations missed or rounds not performed can be readily seen.

### **Key Stations -**

---

- Key station models that meet the requirements of every setting
- Easily and quickly installed by plant or office maintenance personnel, with only a screwdriver and drill
- Each key station installed with aluminum seals
- Any attempt by security personnel to collect the keys causes damage to seals, which is readily detected by routine inspection
- Chain holding key made from continuous links of stainless steel
- Chain is anchored such that any attempt to detach it from the station will create noticeable damage

### **System Requirements-**

---

- Guardsman Watchclock - GDS-12
- Key Stations -  
Indoor/outdoor - SDC-90 (Cyclocac® thermoplastic), SDA-90 (Powder-coated cast aluminum)  
Institutional - SSKL-90 (drawn steel with cover lock) or SSK-90 (drawn steel)
- Tapes - BX-Tapes

### **All- Purpose Indoor/ Outdoor Key Stations -**

---

- Models SDC and SDA - surface mounted with simple lift-up covers for easy access
- Easily and quickly installed by plant or office maintenance personnel, with only a screwdriver and drill
- Suitable for indoor or outdoor factory and office locations
- SDC is molded from high-impact Cyclocac® (ABS) thermoplastic
- SDA is durable, powder coated cast aluminum

### **Dimensions**

---

- Case - 6-1/2" Dia. x 2-3/4" Thick
- Clock Dial - 1-7/8" Dia.
- Shoulder Strap - 55" Long

### **Detex Service**

---

Factory regional sales and service office in New Braunfels Texas - operated under our supervision by authorized distributors worldwide, assure Detex users prompt and convenient service everywhere. Emergency loan equipment is available.

### **Institutional Key Stations -**

---

- Models SSK and SSKL - surface mounted, recommended for schools and other institutions
- Housing of drawn steel
- SSKL comes with cover lock to discourage tampering

### **Replacement Stations -**

---

- When ordering key stations, be sure to state whether station should include keys and chains
- Specify key station identification number desired and key station model

### **Replacement Keys -**

---

- K2K-22 - state quantity and station identification numbers
- Key package includes - key, chain, key shackle, seals, seal holders, anchor and screws

### **Detex Limited Warranty**

---

1 Year Limited Manufacturers Warranty



Detex Corporation  
302 Detex Drive  
New Braunfels, Texas 78130-3045 USA  
PH. (830) 629-2900  
(800) 729-3839  
FAX (830) 620-6711  
(800) 653-3839  
<http://www.detex.com>  
USA Sales:  
[marketing@detex.com](mailto:marketing@detex.com)  
International Sales:  
[export@detex.com](mailto:export@detex.com)

# Newman Watchclock System

## N-24

### Mechanical Watchclock

---

The Newman was the first portable watchclock of American design to be sold in this country. Built to a high standard of quality, ruggedly constructed, completely modernized and up-to-date, it is simple in operation and provides maximum service with minimum wear.



#### Benefits -

---

- Provides motivation for security officers to perform their assigned rounds, plus conclusive documentation that they have done so
- Easy to install using simple tools - a drill and a screwdriver
- Helps reduce the risk of fire, burglary, vandalism and industrial mishaps thus saving money on reduced insurance premiums

#### Features -

---

- 24-hour record
- Accommodates up to 40 stations
- Dials are virtually impossible to counterfeit, alter or tamper with
- Embossed record made directly from raised numerals on recording keys without ribbon, carbons, or inking devices
- Tampering detector indicates if clock has been opened or closed
- Rugged construction, including a die-cast aluminum housing, heat-treated crystal, and a riveted and reinforced case of harness leather
- Highly accurate eight-day shock resistant movement with 11-jeweled escapement
- Requires winding only once per week

#### Operation -

---

- Install a key station at each control point that the officer is to visit during his rounds
- The recording dial has a ruled space for each of the 24 hours of the day. The advancement of the dial is synchronized with the clock mechanism, so that each time a station is registered, its number is embossed at the correct time of day and follows the previous registration. The recording keys are designed such that a missed station causes a conspicuous gap on the dial.
- The daily record is removed by simply unsnapping the locknut and removing the dial, and inserting a new one.
- Insert a new record dial into the clock, set the time and give the clock to the security officer
- When the dial is inspected, any stations missed or rounds not performed can be readily seen.
- As the officer visits each control point, he removes the recording key from the station, inserts it into the clock and turns the key. This registers the station number on the recording dial in the clock at the correct time of day.



### **Key Stations -**

---

- Key station models that meet the requirements of every setting
- Easily and quickly installed by plant or office maintenance personnel, with only a screwdriver and drill
- Each key station installed with aluminum seals
- Any attempt by security personnel to collect the keys causes damage to seals, which is readily detected by routine inspection
- Chain holding key made from continuous links of stainless steel
- Chain is anchored such that any attempt to detach it from the station will create noticeable damage

### **Complete System Requirements-**

---

- Newman Watchclock - N24
- Key Stations -  
Indoor/outdoor - SDC-90 (Cyclocac® thermoplastic), SDA-90 (Powder-coated cast aluminum)  
Institutional - SSKL-90 (drawn steel with cover lock) or SSK-90 (drawn steel)
- Dials - BX-3924

### **All- Purpose Indoor/ Outdoor Key Stations -**

---

- Models SDC and SDA - surface mounted with simple lift-up covers for easy access
- Easily and quickly installed by plant or office maintenance personnel, with only a screwdriver and drill
- Suitable for indoor or outdoor factory and office locations
- SDC is molded from high-impact Cyclocac® (ABS) thermoplastic
- SDA is durable, powder coated cast aluminum

### **Watchclock Dimensions**

---

- Case - 5-5/8" Dia. x 2-3/8" Thick
- Clock Dial - 2-3/16" Dia.
- Shoulder Strap - 55" Long

### **Detex Service**

---

Factory regional sales and service office in New Braunfels Texas - operated under our supervision by authorized distributors worldwide, assure Detex users prompt and convenient service everywhere. Emergency loan equipment is available.

### **Institutional Key Stations -**

---

- Models SSK and SSKL - surface mounted, recommended for schools and other institutions
- Housing of drawn steel
- SSKL comes with cover lock to discourage tampering

### **Replacement Stations -**

---

- When ordering key stations, be sure to state whether station should include keys and chains
- Specify key station identification number desired and model

### **Replacement Keys -**

---

- K2K-22 - state quantity and station identification numbers
- Key package includes - key, chain, key shackle, seals, seal holders, anchor and screws

### **Detex Limited Warranty**

---

1 Year Limited Manufacturers Warranty



Detex Corporation  
302 Detex Drive  
New Braunfels, Texas 78130-3045 USA  
PH. (830) 629-2900  
(800) 729-3839  
FAX (830) 620-6711  
(800) 653-3839  
<http://www.detex.com>  
USA Sales:  
[marketing@detex.com](mailto:marketing@detex.com)  
International Sales:  
[export@detex.com](mailto:export@detex.com)

# Newman Quartz Watchclock System

## Mechanical Watchclock

---

Our battery-operated Newman Quartz watchclock delivers all the dependability you'd expect from a Newman, but with a reliable quartz movement. Like its famed mechanical counterpart, the Newman Quartz watchclock provides a 24-hour record directly embossed on a paper time dial by means of raised numerals on the recording keys. The Newman Quartz watchclock is lightweight and is built to withstand rugged use with a die-cast aluminum housing and a tough, nylon case. And it never needs winding.



### Benefits -

---

- Provides motivation for security officers to perform their assigned rounds, plus conclusive documentation that they have done so
- Helps reduce the risk of fire, burglary, vandalism and industrial mishaps thus saving money on reduced insurance premiums
- Easy to install using simple tools - a drill and a screwdriver
- Produces a secure, tamper-resistant record with dials that are virtually impossible to counterfeit, alter or tamper with
- Economical - ideal for users with restricted security budgets or sites with up to 40 control points
- Never needs winding; one "AA" battery provides one year of trouble-free operation

### Features -

---

- Lightweight and easy to carry
- Built to withstand rugged use with a die-cast aluminum case
- Cover is secured by a lock
- The entire clock is enclosed in a rugged nylon pouch
- 24-hour record embossed directly on dials from raised numerals on recording keys without ribbon, carbons, or inking devices
- Highly accurate precision quartz movement
- Accommodates up to 40 stations
- Tampering detector indicates the exact time the case cover is opened or closed
- A shoulder strap allows the clock to be carried in a protected position

### Operation -

---

- Install a key station at each control point that the officer is to visit during his rounds
- Insert a new record dial into the clock, set the time and give the clock to the security officer
- As the officer visits each control point, he removes the recording key from the station, inserts it into the clock and turns the key. This registers the station number on the recording dial in the clock at the correct time of day.
- The recording dial has a ruled space for each of the 24 hours of the day. The advancement of the dial is synchronized with the clock mechanism, so that each time a station is registered, its number is embossed at the correct time of day and follows the previous registration. The recording keys are designed such that a missed station causes a conspicuous gap on the dial.
- The daily record is removed by simply unsnapping the locknut and removing the dial, and inserting a new one.
- When the dial is inspected, any stations missed or rounds not performed can be readily seen.

### **Key Stations -**

---

- Key station models that meet the requirements of every setting
- Easily and quickly installed by plant or office maintenance personnel, with only a screwdriver and drill
- Each key station installed with aluminum seals
- Any attempt by security personnel to collect the keys causes damage to seals, which is readily detected by routine inspection
- Chain holding key made from continuous links of stainless steel
- Chain is anchored such that any attempt to detach it from the station will create noticeable damage

### **Complete System Requirements-**

---

- Newman Quartz Watchclock
- Key Stations -  
Indoor/outdoor - SDC-90 (Cyclac® thermoplastic), SDA-90 (Powder-coated cast aluminum)  
Institutional - SSKL-90 (drawn steel with cover lock) or SSK-90 (drawn steel)
- Dials - BX-3924

### **All- Purpose Indoor/ Outdoor Key Stations -**

---

- Models SDC and SDA - surface mounted with simple lift-up covers for easy access
- Easily and quickly installed by plant or office maintenance personnel, with only a screwdriver and drill
- Suitable for indoor or outdoor factory and office locations
- SDC is molded from high-impact Cyclac® (ABS) thermoplastic
- SDA is durable, powder coated cast aluminum

### **Watchclock Dimensions**

---

- Case - 5-5/8" Dia. x 2-3/8" Thick
- Clock Dial - 2-3/16" Dia.
- Shoulder Strap - 55" Long

### **Detex Service**

---

Factory regional sales and service office in New Braunfels Texas - operated under our supervision by authorized distributors worldwide, assure Detex users prompt and convenient service everywhere. Emergency loan equipment is available.

### **Institutional Key Stations -**

---

- Models SSK and SSKL - surface mounted, recommended for schools and other institutions
- Housing of drawn steel
- SSKL comes with cover lock to discourage tampering

### **Replacement Stations -**

---

- When ordering key stations, be sure to state whether station should include keys and chains
- Specify key station identification number desired and model

### **Replacement Keys -**

---

- K2K-22 - state quantity and station identification numbers
- Key package includes - key, chain, key shackle, seals, seal holders, anchor and screws

### **Detex Limited Warranty**

---

1 Year Limited Manufacturers Warranty



Detex Corporation  
302 Detex Drive  
New Braunfels, Texas 78130-3045 USA  
PH. (830) 629-2900  
(800) 729-3839  
FAX (830) 620-6711  
(800) 653-3839  
<http://www.detex.com>  
USA Sales:  
[marketing@detex.com](mailto:marketing@detex.com)  
International Sales:  
[export@detex.com](mailto:export@detex.com)

# ***Safety, Security and Risk Management***



**RELIANT**

# RELIANT™ PLUS

## Guard Tour Verification System Kit

---

Reliant PLUS from DETEX provides a complete, simple-to-use solution for guard tour verification and other data-collection tasks. The Reliant PLUS Kit includes everything you need to quickly and easily set up a complete guard tour system that features the rugged Reliant data acquisition unit, stainless steel iButton® touch-memory checkpoints and the user-friendly Reliant PLUS communication and reporting software.

### Reliant Data Acquisition Unit

---



REL-DAU

The Reliant Data Acquisition Unit (DAU) is a rugged, portable device with no external controls that records and stores readings from the iButton checkpoints, along with the time and date of each reading. The device is protected by an enclosure of glass-reinforced polycarbonate (Lexan®). Successful readings are confirmed both by audible and visible indicators. The Reliant stores 5,460 readings in nonvolatile RAM. The unit will operate for one year or 500,000 readings on three "AAA" batteries, which are user-changeable. The Reliant measures 3.88" x 1.9" x 1.36" (98.5mm x 48mm x 34.5mm) and weighs 5.3 oz. (150g).

### Reliant Data Transfer Unit

---



REL-DTU

The Reliant Data Transfer Unit (DTU) transfers checkpoint readings from the Reliant DAU to a PC for processing into reports. The REL-DTU connects to the PC via an RS-232 (serial) port or a USB port.

### Touch-Memory iButton® Checkpoints

---



REL-CKP

The Reliant checkpoints use stainless-steel touch-memory iButtons. Each iButton has a unique 16-digit ID number that identifies the checkpoint, security officer, supervisor, etc. to which it is assigned. The iButtons are assembled into checkpoints using clear polycarbonate shells and mounted with the self-threading screws provided.

### Reliant Incident Book

---



REL-INCBK

Incidents may be recorded using the Reliant Incident Book. Incidents are pre-defined and assigned numeric codes in the Reliant PLUS software. Incidents observed by the officer are recorded during a tour by entering the incident's code, using the touch-memory keypad.

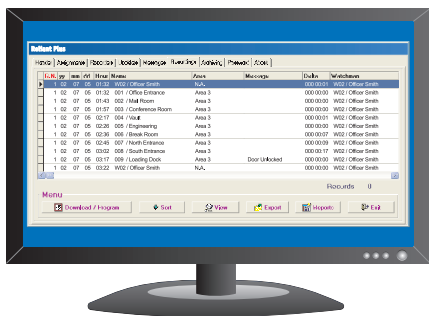
## Reliant PLUS Software



Reliant PLUS is an easy-to-use software application for communicating with and configuring the Reliant DAU, transferring and analyzing tour data and producing reports of officers' activities. Its Paradox database provides powerful and flexible reporting features, including:

- Filtered reports
- Performance/Exceptions report
- Missed Stations reports

Reliant PLUS also includes archiving and database management and repair functions.



## Mobile Data Transfer Unit



REL-MDTU

The Reliant Mobile Data Transfer Unit, with a capacity of 21,842 readings, can collect the data from several Reliant DAUs. This makes it unnecessary to take a portable PC to several sites or to bring the DAUs to a central location for downloading.

## iButtons for Officer & Supervisor ID

iButton ID Badges and Keys are used to identify officers or supervisors in the reports, so that responsibility for performance of tasks may be assigned.



ID Badge  
(REL-BDG)



ID Keys  
(REL-KF)

## Contents of Kit

- 1 - Reliant Data Acquisition Unit
- 1 - Nylon Holster
- 1 - Reliant Data Transfer Unit
- 1 - Reliant PLUS Software CD, including User Manual (PDF)
- 2 - iButton® ID Keys
- 10 - Checkpoints (including iButtons)
- 1 - Incident Book

## iButton Mounting Options

Other options for mounting iButtons include one-piece mounts in ABS plastic or aluminum.



ABS Mount  
(REL-CKP-MNT2)



Aluminum Mount  
(REL-CKP-MNT3)

## Detex Limited Warranty

2-Year Limited Manufacturers Warranty



Detex Corporation  
302 Detex Drive  
New Braunfels, Texas 78130-3045 USA  
PH. (830) 629-2900  
(800) 729-3839  
FAX (830) 620-6711  
(800) 653-3839  
<http://www.detex.com>  
USA Sales:  
[marketing@detex.com](mailto:marketing@detex.com)  
International Sales:  
[export@detex.com](mailto:export@detex.com)