

DEWALT®



**Instruction Manual
Guide D'utilisation
Manual de instrucciones**

DCG413

20 V Max* Paddle Switch Small Angle Grinder

Meuleuse à petit angle avec interrupteur à palette Max* 20 V

Esmeriladora de ángulo pequeño de interruptor de paleta

20 V Max*

www.DEWALT.com

**If you have questions or comments, contact us.
Pour toute question ou tout commentaire, nous contacter.
Si tiene dudas o comentarios, contáctenos.**

1-800-4-DEWALT

ENGLISH

English (***original instructions***) 1

Français (*traduction de la notice d'instructions originale*) 18

Español (*traducido de las instrucciones originales*) 37

Definitions: Safety Alert Symbols and Words

This instruction manual uses the following safety alert symbols and words to alert you to hazardous situations and your risk of personal injury or property damage.



DANGER: Indicates an imminently hazardous situation which, if not avoided, **will** result in **death or serious injury**.



WARNING: Indicates a potentially hazardous situation which, if not avoided, **could** result in **death or serious injury**.



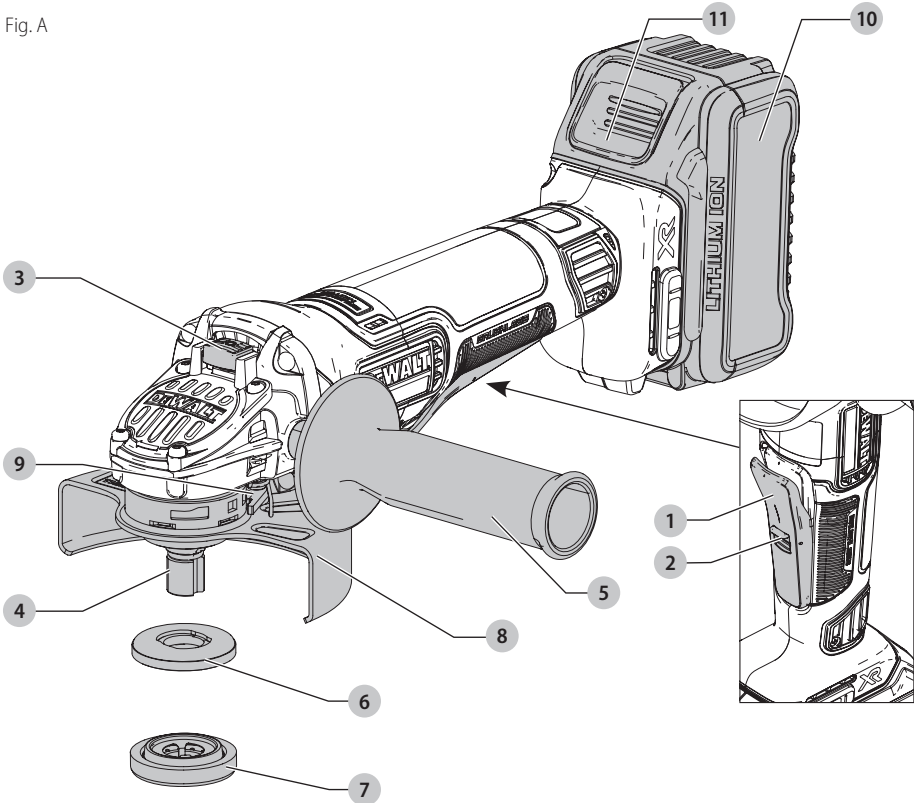
CAUTION: Indicates a potentially hazardous situation which, if not avoided, **may** result in **minor or moderate injury**.



(Used without word) Indicates a safety related message.

NOTICE: Indicates a practice **not related to personal injury** which, if not avoided, **may** result in **property damage**.

Fig. A



- | | |
|-----------------------|---------------------------|
| 1 Paddle switch | 7 Locking flange |
| 2 Lock-off lever | 8 Guard |
| 3 Spindle lock button | 9 Guard release lever |
| 4 Spindle | 10 Battery pack |
| 5 Side handle | 11 Battery release button |
| 6 Backing flange | |



WARNING! Read all safety warnings and all instructions. Failure to follow the warnings and instructions may result in electric shock, fire and/or serious injury.



WARNING: To reduce the risk of injury, read the instruction manual.

If you have any questions or comments about this or any DeWALT tool, call us toll free at: 1-800-4-DeWALT (1-800-433-9258).

GENERAL POWER TOOL SAFETY WARNINGS



WARNING! Read all safety warnings and all instructions. Failure to follow the warnings and instructions may result in electric shock, fire and/or serious injury.

SAVE ALL WARNINGS AND INSTRUCTIONS FOR FUTURE REFERENCE

The term "power tool" in the warnings refers to your mains-operated (corded) power tool or battery-operated (cordless) power tool.

1) Work Area Safety

- a) **Keep work area clean and well lit.** Cluttered or dark areas invite accidents.
- b) **Do not operate power tools in explosive atmospheres, such as in the presence of flammable liquids, gases or dust.** Power tools create sparks which may ignite the dust or fumes.
- c) **Keep children and bystanders away while operating a power tool.** Distractions can cause you to lose control.

2) Electrical Safety

- a) **Power tool plugs must match the outlet. Never modify the plug in any way. Do not use any adapter plugs with earthed (grounded) power tools.** Unmodified plugs and matching outlets will reduce risk of electric shock.
- b) **Avoid body contact with earthed or grounded surfaces such as pipes, radiators, ranges and refrigerators.** There is an increased risk of electric shock if your body is earthed or grounded.
- c) **Do not expose power tools to rain or wet conditions.** Water entering a power tool will increase the risk of electric shock.
- d) **Do not abuse the cord. Never use the cord for carrying, pulling or unplugging the power tool. Keep cord away from heat, oil, sharp edges or moving parts.** Damaged or entangled cords increase the risk of electric shock.
- e) **When operating a power tool outdoors, use an extension cord suitable for outdoor use.** Use of a cord suitable for outdoor use reduces the risk of electric shock.
- f) **If operating a power tool in a damp location is unavoidable, use a ground fault circuit interrupter (GFCI) protected supply.** Use of a GFCI reduces the risk of electric shock.

3) Personal Safety

- a) **Stay alert, watch what you are doing and use common sense when operating a power tool. Do not use a power tool while you are tired or under the influence of drugs, alcohol or medication.** A moment of inattention while operating power tools may result in serious personal injury.
- b) **Use personal protective equipment. Always wear eye protection.** Protective equipment such as dust mask, non-skid safety shoes, hard hat, or hearing

protection used for appropriate conditions will reduce personal injuries.

- c) **Prevent unintentional starting. Ensure the switch is in the off position before connecting to power source and/or battery pack, picking up or carrying the tool.** Carrying power tools with your finger on the switch or energizing power tools that have the switch on invites accidents.
- d) **Remove any adjusting key or wrench before turning the power tool on.** A wrench or a key left attached to a rotating part of the power tool may result in personal injury.
- e) **Do not overreach. Keep proper footing and balance at all times.** This enables better control of the power tool in unexpected situations.
- f) **Dress properly. Do not wear loose clothing or jewelry. Keep your hair, clothing and gloves away from moving parts.** Loose clothes, jewelry or long hair can be caught in moving parts.
- g) **If devices are provided for the connection of dust extraction and collection facilities, ensure these are connected and properly used.** Use of dust collection can reduce dust-related hazards.

4) Power Tool Use and Care

- a) **Do not force the power tool. Use the correct power tool for your application.** The correct power tool will do the job better and safer at the rate for which it was designed.
- b) **Do not use the power tool if the switch does not turn it on and off.** Any power tool that cannot be controlled with the switch is dangerous and must be repaired.
- c) **Disconnect the plug from the power source and/or the battery pack from the power tool before making any adjustments, changing accessories, or storing power tools.** Such preventive safety measures reduce the risk of starting the power tool accidentally.
- d) **Store idle power tools out of the reach of children and do not allow persons unfamiliar with the power tool or these instructions to operate the power tool.** Power tools are dangerous in the hands of untrained users.
- e) **Maintain power tools. Check for misalignment or binding of moving parts, breakage of parts and any other condition that may affect the power tool's operation. If damaged, have the power tool repaired before use.** Many accidents are caused by poorly maintained power tools.
- f) **Keep cutting tools sharp and clean.** Properly maintained cutting tools with sharp cutting edges are less likely to bind and are easier to control.
- g) **Use the power tool, accessories and tool bits, etc. in accordance with these instructions, taking into account the working conditions and the work to be performed.** Use of the power tool for operations different from those intended could result in a hazardous situation.

5) Battery Tool Use and Care

- a) **Recharge only with the charger specified by the manufacturer.** A charger that is suitable for one type of battery pack may create a risk of fire when used with another battery pack.
- b) **Use power tools only with specifically designated battery packs.** Use of any other battery packs may create a risk of injury and fire.
- c) **When battery pack is not in use, keep it away from other metal objects, like paper clips, coins, keys, nails, screws, or other small metal objects, that can make a connection from one terminal to another.** Shorting the battery terminals together may cause burns or a fire.
- d) Under abusive conditions, liquid may be ejected from the battery; **avoid contact. If contact accidentally occurs, flush with water. If liquid contacts eyes, additionally seek medical help.** Liquid ejected from the battery may cause irritation or burns.

6) Service

- a) **Have your power tool serviced by a qualified repair person using only identical replacement parts.** This will ensure that the safety of the power tool is maintained.

SAFETY INSTRUCTIONS FOR ALL OPERATIONS

Safety Warnings Common for Grinding, Sanding, Wire Brushing or Abrasive Cutting-Off Operations

- a) **This power tool is intended to function as a grinder, sander, wire brush or cut-off tool. Read all safety warnings, instructions, illustrations and specifications provided with this power tool.** Failure to follow all instructions listed below may result in electric shock, fire and/or serious injury.
- b) **Operations such as polishing are not recommended to be performed with this power tool.** Operations for which the power tool was not designed may create a hazard and cause personal injury.
- c) **Do not use accessories which are not specifically designed and recommended by the tool manufacturer.** Just because the accessory can be attached to your power tool, it does not assure safe operation.
- d) **The rated speed of the accessory must be at least equal to the maximum speed marked on the power tool.** Accessories running faster than their rated speed can break and fly apart.
- e) **The outside diameter and the thickness of your accessory must be within the capacity rating of your power tool.** Incorrectly sized accessories cannot be adequately guarded or controlled.
- f) **Threaded mounting of accessories must match the grinder spindle thread. For accessories mounted by flanges, the arbor hole of the accessory must fit the locating diameter of the flange.** Accessories that do not match the mounting hardware of the power tool will run out of balance, vibrate excessively and may cause loss of control.
- g) **Do not use a damaged accessory. Before each use inspect the accessory such as abrasive wheels for chips and cracks, backing pad for cracks, tear or excess wear, wire brush for loose or cracked wires. If power tool or accessory is dropped, inspect for damage or install an undamaged accessory. After inspecting and installing an accessory, position yourself and bystanders away from the plane of the rotating accessory and run the power tool at maximum no-load speed for one minute.** Damaged accessories will normally break apart during this test time.
- h) **Wear personal protective equipment. Depending on application, use face shield, safety goggles or safety glasses. As appropriate, wear dust mask, hearing protectors, gloves and workshop apron capable of stopping small abrasive or workpiece fragments. The eye protection must be capable of stopping flying debris generated by various operations. The dust mask or respirator must be capable of filtering particles generated by your operation.** Prolonged exposure to high intensity noise may cause hearing loss.
- i) **Keep bystanders a safe distance away from work area. Anyone entering the work area must wear personal protective equipment.** Fragments of workpiece or of a broken accessory may fly away and cause injury beyond immediate area of operation.
- j) **Hold the power tool by insulated gripping surfaces only, when performing an operation where the cutting tool may contact hidden wiring.** Contact with a "live" wire will also make exposed metal parts of the power tool "live" and could give the operator an electric shock.
- k) **Never lay the power tool down until the accessory has come to a complete stop.** The spinning accessory may grab the surface and pull the power tool out of your control.
- l) **Do not run the power tool while carrying it at your side.** Accidental contact with the spinning accessory could snag your clothing, pulling the accessory into your body.
- m) **Regularly clean the power tool's air vents.** The motor's fan will draw the dust inside the housing and excessive accumulation of powdered metal may cause electrical hazards.
- n) **Do not operate the power tool near flammable materials.** Sparks could ignite these materials.
- o) **Do not use accessories that require liquid coolants.** Using water or other liquid coolants may result in electrocution or shock.

ENGLISH

- p) **Do not use Type 11 (flaring cup) wheels on this tool.** Using inappropriate accessories can result in injury.
- q) **Always use side handle. Tighten the handle securely.** The side handle should always be used to maintain control of the tool at all times.
- r) **When starting the tool with a new or replacement wheel, or a new or replacement wire brush installed, hold the tool in a well protected area and let it run for one minute. If the wheel has an undetected crack or flaw, it should burst in less than one minute. If the wire brush has loose wires, they will be detected. Never start the tool with a person in line with the wheel.** This includes the operator.
- s) **Use of accessories not specified in this manual is not recommended and may be hazardous.** Use of power boosters that would cause the tool to be driven at speeds greater than its rated speed constitutes misuse.
- t) **Use clamps or another practical way to secure and support the workpiece to a stable platform.** Holding the work by hand or against your body leaves it unstable and may lead to loss of control.
- u) **Avoid bouncing the wheel or giving it rough treatment.** If this occurs, stop the tool and inspect the wheel for cracks or flaws.
- v) **Always handle and store wheels in a careful manner.**
- w) **Do not operate this tool for long periods of time. Vibration caused by the operating action of this tool may cause permanent injury to fingers, hands, and arms.** Use gloves to provide extra cushion, take frequent rest periods, and limit daily time of use.
- x) **Air vents often cover moving parts and should be avoided.** Loose clothes, jewelry or long hair can be caught in moving parts.

Kickback and Related Warnings

Kickback is a sudden reaction to a pinched or snagged rotating wheel, backing pad, brush or any other accessory. Pinching or snagging causes rapid stalling of the rotating accessory which in turn causes the uncontrolled power tool to be forced in the direction opposite of the accessory's rotation at the point of the binding.

For example, if an abrasive wheel is snagged or pinched by the workpiece, the edge of the wheel that is entering into the pinch point can dig into the surface of the material causing the wheel to climb out or kick out. The wheel may either jump toward or away from the operator, depending on direction of the wheel's movement at the point of pinching. Abrasive wheels may also break under these conditions.

Kickback is the result of tool misuse and/or incorrect operating procedures or conditions and can be avoided by taking proper precautions as given below:

- a) **Maintain a firm grip on the power tool and position your body and arm to allow you to resist kickback forces. Always use auxiliary handle, if**

provided, for maximum control over kickback or torque reaction during start up. The operator can control torque reaction or kickback forces, if proper precautions are taken.

- b) **Never place your hand near the rotating accessory.** Accessory may kickback over your hand.
- c) **Do not position your body in the area where power tool will move if kickback occurs.** Kickback will propel the tool in direction opposite to the wheel's movement at the point of snagging.
- d) **Use special care when working corners, sharp edges etc. Avoid bouncing and snagging the accessory.** Corners, sharp edges or bouncing have a tendency to snag the rotating accessory and cause loss of control or kickback.
- e) **Do not attach a saw chain woodcarving blade or toothed saw blade.** Such blades create frequent kickback and loss of control.

Safety Warnings Specific for Grinding and Abrasive Cutting-Off Operations

- a) **Use only wheel types that are recommended for your power tool and the specific guard designed for the selected wheel.** Wheels for which the power tool was not designed cannot be adequately guarded and are unsafe.
- b) **The grinding surface of center depressed wheels must be mounted below the plane of the guard lip.** An improperly mounted wheel that projects through the plane of the guard lip cannot be adequately protected.
- c) **The guard must be securely attached to the power tool and positioned for maximum safety, so the least amount of wheel is exposed towards the operator.** The guard helps to protect the operator from broken wheel fragments, accidental contact with wheel and sparks that could ignite clothing.
- d) **Wheels must be used only for recommended applications. For example: do not grind with the side of cut-off wheel.** Abrasive cut-off wheels are intended for peripheral grinding, side forces applied to these wheels may cause them to shatter.
- e) **Always use undamaged wheel flanges that are of correct size and shape for your selected wheel. Proper wheel flanges support the wheel thus reducing the possibility of wheel breakage.** Flanges for cut-off wheels may be different from grinding wheel flanges.
- f) **Do not use worn down wheels from larger power tools.** Wheel intended for larger power tool is not suitable for the higher speed of a smaller tool and may burst.

Additional Safety Warnings Specific for Abrasive Cutting-Off Operations

- a) **Do not "jam" the cut-off wheel or apply excessive pressure. Do not attempt to make an excessive**

depth of cut. Overstressing the wheel increases the loading and susceptibility to twisting or binding of the wheel in the cut and the possibility of kickback or wheel breakage.

- b) **Do not position your body in line with and behind the rotating wheel.** When the wheel, at the point of operation, is moving away from your body, the possible kickback may propel the spinning wheel and the power tool directly at you.
- c) **When wheel is binding or when interrupting a cut for any reason, switch off the power tool and hold the power tool motionless until the wheel comes to a complete stop. Never attempt to remove the cut-off wheel from the cut while the wheel is in motion otherwise kickback may occur.** Investigate and take corrective action to eliminate the cause of wheel binding.
- d) **Do not restart the cutting operation in the workpiece. Let the wheel reach full speed and carefully reenter the cut.** The wheel may bind, walk up or kickback if the power tool is restarted in the workpiece.
- e) **Support panels or any oversized workpiece to minimize the risk of wheel pinching and kickback. Large workpieces tend to sag under their own weight.** Supports must be placed under the workpiece near the line of cut and near the edge of the workpiece on both sides of the wheel.
- f) **Use extra caution when making a “pocket cut” into existing walls or other blind areas.** The protruding wheel may cut gas or water pipes, electrical wiring or objects that can cause kickback.

Safety Warnings Specific for Sanding Operations

- a) **Do not use excessively oversized sanding disc paper. Follow manufacturers recommendations, when selecting sanding paper.** Larger sanding paper extending beyond the sanding pad presents a laceration hazard and may cause snagging, tearing of the disc or kickback.

Safety Warnings Specific for Wire Brushing Operations

- a) **Be aware that wire bristles are thrown by the brush even during ordinary operation. Do not overstress the wires by applying excessive load to the brush.** The wire bristles can easily penetrate light clothing and/or skin.
- b) **If the use of a guard is recommended for wire brushing, do not allow any interference of the wire wheel or brush with the guard.** Wire wheel or brush may expand in diameter due to work and centrifugal forces.
- c) **Safety goggles or safety glasses with side shields and a full face shield compliant with ANSI Z87.1 MUST be worn by the operator and others that are within 50' (15.2 m) of the use of this product.**

Additional Safety Information



WARNING: ALWAYS use safety glasses. Everyday eyeglasses are NOT safety glasses. Also use face or dust mask if cutting operation is dusty. ALWAYS WEAR CERTIFIED SAFETY EQUIPMENT:

- ANSI Z87.1 eye protection (CAN/CSA Z94.3),
- ANSI S12.6 (S3.19) hearing protection,
- NIOSH/OSHA/MSHA respiratory protection.



WARNING: Some dust created by power sanding, sawing, grinding, drilling, and other construction activities contains chemicals known to the State of California to cause cancer, birth defects or other reproductive harm. Some examples of these chemicals are:

- lead from lead-based paints,
- crystalline silica from bricks and cement and other masonry products, and
- arsenic and chromium from chemically-treated lumber.

Your risk from these exposures varies, depending on how often you do this type of work. To reduce your exposure to these chemicals: work in a well ventilated area, and work with approved safety equipment, such as those dust masks that are specially designed to filter out microscopic particles.

- **Avoid prolonged contact with dust from power sanding, sawing, grinding, drilling, and other construction activities. Wear protective clothing and wash exposed areas with soap and water.** Allowing dust to get into your mouth, eyes, or lay on the skin may promote absorption of harmful chemicals.



WARNING: Use of this tool can generate and/or disperse dust, which may cause serious and permanent respiratory or other injury. Always use NIOSH/OSHA approved respiratory protection appropriate for the dust exposure. Direct particles away from face and body.



WARNING: Always wear proper personal hearing protection that conforms to ANSI S12.6 (S3.19) during use. Under some conditions and duration of use, noise from this product may contribute to hearing loss.













CAUTION: When not in use, place tool on its side on a stable surface where it will not cause a tripping or falling hazard. Some tools with large battery packs will stand upright on the battery pack but may be easily knocked over.

The label on your tool may include the following symbols. The symbols and their definitions are as follows:

| | | | |
|---------------|---------------------------------|------------|-------------------------|
| V | volts | IPM | impacts per minute |
| Hz | hertz | RPM | revolutions per minute |
| min | minutes | | minute |
| — or DC | direct current | sfpm | surface feet per minute |
| Ⓢ | Class I Construction (grounded) | SPM | strokes per minute |
| .../min | per minute | A | amperes |
| BPM | beats per minute | W | watts |

ENGLISH


| | |
|--|--|
|  or AC.....alternating current | visible radiation |
|  or AC/DC....alternating or direct current | wear respiratory protection |
| Class II Construction (double insulated) | wear eye protection |
| n_0no load speed | wear hearing protection |
| nrated speed | read all documentation |
| earthing terminal | |
| safety alert symbol | |

BATTERIES AND CHARGERS

The battery pack is not fully charged out of the carton. Before using the battery pack and charger, read the safety instructions below and then follow charging procedures outlined. When ordering replacement battery packs, be sure to include the catalog number and voltage. Your tool uses a DeWALT charger. Be sure to read all safety instructions before using your charger. Consult the chart at the end of this manual for compatibility of chargers and battery packs.


READ ALL INSTRUCTIONS


Important Safety Instructions for All Battery Packs

 **WARNING:** Read all safety warnings and all instructions for the battery pack, charger and power tool. Failure to follow the warnings and instructions may result in electric shock, fire and/or serious injury.

- **Do not charge or use the battery pack in explosive atmospheres, such as in the presence of flammable liquids, gases or dust.** Inserting or removing the battery pack from the charger may ignite the dust or fumes.
- **NEVER force the battery pack into the charger. DO NOT modify the battery pack in any way to fit into a non-compatible charger as battery pack may rupture causing serious personal injury.** Consult the chart at the end of this manual for compatibility of batteries and chargers.
- Charge the battery packs only in designated DeWALT chargers.
- **DO NOT splash or immerse in water or other liquids.**
- **Do not store or use the tool and battery pack in locations where the temperature may reach or exceed 104 °F (40 °C) (such as outside sheds or metal buildings in summer).** For best life store battery packs in a cool, dry location.
NOTE: Do not store the battery packs in a tool with the trigger switch locked on. Never tape the trigger switch in the ON position.
- **Do not incinerate the battery pack even if it is severely damaged or is completely worn out.** The battery pack can explode in a fire. Toxic fumes and materials are created when lithium ion battery packs are burned.

- **If battery contents come into contact with the skin, immediately wash area with mild soap and water.** If battery liquid gets into the eye, rinse water over the open eye for 15 minutes or until irritation ceases. If medical attention is needed, the battery electrolyte is composed of a mixture of liquid organic carbonates and lithium salts.
- **Contents of opened battery cells may cause respiratory irritation.** Provide fresh air. If symptoms persist, seek medical attention.

 **WARNING:** Burn hazard. Battery liquid may be flammable if exposed to spark or flame.

 **WARNING:** Fire hazard. Never attempt to open the battery pack for any reason. If the battery pack case is cracked or damaged, do not insert into the charger. Do not crush, drop or damage the battery pack. Do not use a battery pack or charger that has received a sharp blow, been dropped, run over or damaged in any way (e.g., pierced with a nail, hit with a hammer, stepped on). Damaged battery packs should be returned to the service center for recycling.

Transportation

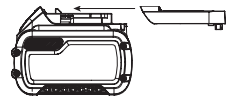
 **WARNING:** Fire hazard. Do not store or carry the battery pack so that metal objects can contact exposed battery terminals. For example, do not place the battery pack in aprons, pockets, tool boxes, product kit boxes, drawers, etc., with loose nails, screws, keys, etc. **Transporting batteries can possibly cause fires if the battery terminals inadvertently come in contact with conductive materials such as keys, coins, hand tools and the like.** The US Department of Transportation Hazardous Material Regulations (HMR) actually prohibit transporting batteries in commerce or on airplanes in carry-on baggage UNLESS they are properly protected from short circuits. So when transporting individual battery packs, make sure that the battery terminals are protected and well insulated from materials that could contact them and cause a short circuit.

Shipping the DeWALT FLEXVOLT™ Battery

The DeWALT FLEXVOLT™ battery has two modes: **Use** and **Shipping**.

Use Mode: When the FLEXVOLT™ battery stands alone or is in a DeWALT 20V Max* product, it will operate as a 20V Max* battery. When the FLEXVOLT™ battery is in a 60V Max* or a 120V Max* (two 60V Max* batteries) product, it will operate as a 60V Max* battery.

Shipping Mode: When the cap is attached to the FLEXVOLT™ battery, the battery is in Shipping Mode.



Strings of cells are electrically disconnected within the pack resulting in three batteries with a lower Watt hour (Wh) rating as compared to one battery with a higher Watt hour rating. This increased quantity of three batteries with the lower Watt hour rating can exempt the pack from certain shipping regulations that are imposed upon the higher Watt hour batteries.

The battery label indicates two Watt hour ratings (see example). Depending on how the battery is shipped, the appropriate Watt hour rating must be used to determine the applicable shipping requirements. If utilizing the shipping cap, the pack will be considered 3 batteries at the Watt hour rating indicated for "Shipping". If shipping without the cap or in a tool, the pack will be considered one battery at the Watt hour rating indicated next to "Use".

Example of Use and Shipping Label Marking

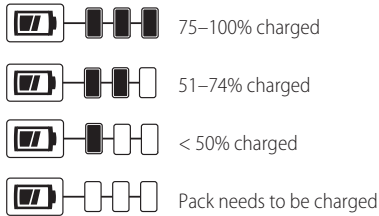
USE: 120 Wh Shipping: 3 x 40 Wh

For example, Shipping Wh rating might indicate 3 x 40 Wh, meaning 3 batteries of 40 Watt hours each. The Use Wh rating might indicate 120 Wh (1 battery implied).

Fuel Gauge Battery Packs (Fig. B)

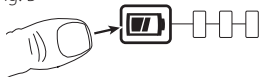
Some DeWALT battery packs include a fuel gauge which consists of three green LED lights that indicate the level of charge remaining in the battery pack.

The fuel gauge is an indication of approximate levels of charge remaining in the battery pack according to the following indicators:



To actuate the fuel gauge, press and hold the fuel gauge button. A combination of the three green LED lights will illuminate designating the level of charge left. When the level of charge in the battery is below the usable limit, the fuel gauge will not illuminate and the battery will need to be recharged.

Fig. B



NOTE: The fuel gauge is only an indication of the charge left on the battery pack. It does not indicate tool functionality and is subject to variation based on product components, temperature and end-user application.

For more information regarding fuel gauge battery packs, please contact call 1-800-4-DeWALT (1-800-433-9258) or visit our website www.dewalt.com.

The RBRC® Seal

The RBRC® (Rechargeable Battery Recycling Corporation) Seal on the nickel cadmium, nickel metal hydride or lithium-ion batteries (or battery packs) indicates that the costs to recycle these batteries (or battery packs) at the end of their useful life have already been paid by DeWALT. In some areas, it is illegal to place spent nickel cadmium, nickel metal hydride or lithium-ion batteries in the trash or municipal solid waste stream and



the Call 2 Recycle® program provides an environmentally conscious alternative.

Call 2 Recycle, Inc., in cooperation with DeWALT and other battery users, has established the program in the United States and Canada to facilitate the collection of spent nickel cadmium, nickel metal hydride or lithium-ion batteries. Help protect our environment and conserve natural resources by returning the spent nickel cadmium, nickel metal hydride or lithium-ion batteries to an authorized DeWALT service center or to your local retailer for recycling. You may also contact your local recycling center for information on where to drop off the spent battery. RBRC® is a registered trademark of Call 2 Recycle, Inc.

Important Safety Instructions for All Battery Chargers



WARNING: Read all safety warnings and all instructions for the battery pack, charger and power tool. Failure to follow the warnings and instructions may result in electric shock, fire and/or serious injury.

- **DO NOT attempt to charge the battery pack with any chargers other than the ones in this manual.** The charger and battery pack are specifically designed to work together.
- **These chargers are not intended for any uses other than charging DeWALT rechargeable batteries.** Any other uses may result in risk of fire, electric shock or electrocution.
- **Do not expose the charger to rain or snow.**
- **Pull by the plug rather than the cord when disconnecting the charger.** This will reduce the risk of damage to the electric plug and cord.
- **Make sure that the cord is located so that it will not be stepped on, tripped over or otherwise subjected to damage or stress.**
- **Do not use an extension cord unless it is absolutely necessary.** Use of improper extension cord could result in risk of fire, electric shock or electrocution.
- **When operating a charger outdoors, always provide a dry location and use an extension cord suitable for outdoor use.** Use of a cord suitable for outdoor use reduces the risk of electric shock.
- **An extension cord must have adequate wire size (AWG or American Wire Gauge) for safety.** The smaller the gauge number of the wire, the greater the capacity of the cable, that is, 16 gauge has more capacity than 18 gauge. An undersized cord will cause a drop in line voltage resulting in loss of power and overheating. When using more than one extension to make up the total length, be sure each individual extension contains at least the minimum wire size. The following table shows the correct size to use depending on cord length and nameplate ampere rating. If in doubt, use the next heavier gauge. The lower the gauge number, the heavier the cord.

Minimum Gauge for Cord Sets

| Volts | | Total Length of Cord in Feet (meters) | | | |
|----------------------------|---------------|---------------------------------------|------------|-----------------|------------|
| 120 V | | 25 (7.6) | 50 (15.2) | 100 (30.5) | 150 (45.7) |
| 240 V | | 50 (15.2) | 100 (30.5) | 200 (61.0) | 300 (91.4) |
| Ampere Rating More Than | Not More Than | American Wire Gauge | | | |
| | | 0 | 6 | 18 | 16 |
| 6 | 10 | 18 | 16 | 14 | 12 |
| 10 | 12 | 16 | 16 | 14 | 12 |
| 12 | 16 | 14 | 12 | Not Recommended | |

- **Do not place any object on top of the charger or place the charger on a soft surface that might block the ventilation slots and result in excessive internal heat.** Place the charger in a position away from any heat source. The charger is ventilated through slots in the top and the bottom of the housing.
- **Do not operate the charger with a damaged cord or plug.**
- **Do not operate the charger if it has received a sharp blow, been dropped or otherwise damaged in any way.** Take it to an authorized service center.
- **Do not disassemble the charger; take it to an authorized service center when service or repair is required.** Incorrect reassembly may result in a risk of electric shock, electrocution or fire.
- **Disconnect the charger from the outlet before attempting any cleaning. This will reduce the risk of electric shock.** Removing the battery pack will not reduce this risk.
- **NEVER** attempt to connect 2 chargers together.
- **The charger is designed to operate on standard 120V household electrical power. Do not attempt to use it on any other voltage.** This does not apply to the vehicular charger.



WARNING: Shock hazard. Do not allow any liquid to get inside the charger. Electric shock may result.



WARNING: Burn hazard. Do not submerge the battery pack in any liquid or allow any liquid to enter the battery pack. Never attempt to open the battery pack for any reason. If the plastic housing of the battery pack breaks or cracks, return to a service center for recycling.



CAUTION: Burn hazard. To reduce the risk of injury, charge only DEWALT rechargeable battery packs. Other types of batteries may overheat and burst resulting in personal injury and property damage.

NOTICE: Under certain conditions, with the charger plugged into the power supply, the charger can be shorted by foreign material. Foreign materials of a conductive nature, such as, but not limited to, grinding dust, metal chips, steel wool, aluminum foil or any buildup of metallic particles should be kept away from the charger cavities. Always unplug the charger from the power supply when there is no

battery pack in the cavity. Unplug the charger before attempting to clean.

Wireless Certifications and Safety Information

- This device is CAN ICES-3(B)/NMB-3(B) compliant.
- This device complies with Part 15 of the FCC rules and Industry Canada License-exempt RSS standard(s). Operation is subject to the following two conditions:
 - This device may not cause harmful interference, and
 - This device must accept any interference received, including interference that may cause undesired operation.

This equipment has been tested and found to comply with the limits for a Class B digital device, pursuant to Part 15 of the FCC Rules. These limits are designed to provide reasonable protection against harmful interference in a residential installation. This equipment generates, uses and can radiate radio frequency energy and, if not installed and used in accordance with the instructions, may cause harmful interference to radio communications. However, there is no guarantee that interference will not occur in a particular installation. If this equipment does cause harmful interference to radio or television reception, which can be determined by turning the equipment off and on, the user is encouraged to try to correct the interference by one or more of the following measures:

- Reorient or relocate the receiving antenna.
- Increase the separation between the equipment and adaptor.
- Connect the equipment into an outlet on a circuit different from that to which the adaptor is connected.
- Consult the dealer or an experienced radio/TV technician for help.
- Changes or modifications to this equipment not expressly approved by the manufacturer could void the user's authority to operate the device. This Class B digital apparatus complies with Canadian ICES-003.
- Under Industry Canada regulations, this radio transmitter may only operate using an antenna of a type and maximum (or lesser) gain approved for the transmitter by Industry Canada. To reduce potential radio interference to other users, the antenna type and its gain should be so chosen that the equivalent isotropically radiated power (e.i.r.p.) is not more than that necessary for successful communication.
- To comply with FCC and Industry Canada RF radiation exposure limits for general population, the antenna used for this device must not be co-located or operating in conjunction with any other antenna or transmitter.

For Bluetooth® Products

- When traveling on airlines, be sure to comply with the airline restrictions on usage of personal electronic devices and Bluetooth®.
- The out of range alert feature has been designed to act as an aid to warn against products getting misplaced or stolen. It is not a security system.

- The connectivity range is up to 100 feet (30.5 meters) depending on environment and location.
- The shortwave radio frequency signals of a Bluetooth® device may impair the operation of other electronic and medical devices (such as pacemakers or hearing aids).

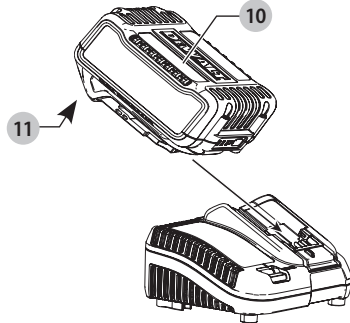
NOTE: The Bluetooth® word mark and logos are registered trademarks owned by the Bluetooth®, SIG, Inc. and any use of such marks by DeWALT is under license. Other trademarks and trade names are those of their respective owners.

This product complies with these standards when operated with a 6 foot (1.8 meters) or shorter extension cord.

Charging a Battery (Fig. C)

1. Plug the charger into an appropriate outlet before inserting battery pack.

Fig. C



2. Insert the battery pack **10** into the charger, making sure the battery pack is fully seated in the charger. The red (charging) light will blink continuously indicating that the charging process has started.
3. The completion of charge will be indicated by the red light remaining ON continuously. The battery pack is fully charged and may be used at this time or left in the charger. To remove the battery pack from the charger, push the battery release button **11** on the battery pack.

NOTE: To ensure maximum performance and life of lithium-ion battery packs, charge the battery pack fully before first use.

Charger Operation

Refer to the indicators below for the charge status of the battery pack.

| DCB107, DCB112, DCB113, DCB115, DCB118, DCB132 | |
|--|----------------------|
| | Charging |
| | Fully Charged |
| | Hot/Cold Pack Delay* |

*DCB107, DCB112, DCB113, DCB115, DCB118, DCB132:

The red light will continue to blink, but a yellow indicator light will be illuminated during this operation. Once the battery pack has reached an appropriate temperature, the yellow light will turn off and the charger will resume the charging procedure.

The compatible charger(s) will not charge a faulty battery pack. The charger will indicate faulty battery pack by refusing to light or by displaying a problem pack or charger blink pattern.

NOTE: This could also mean a problem with a charger.

If the charger indicates a problem, take the charger and battery pack to be tested at an authorized service center.

Hot/Cold Pack Delay

When the charger detects a battery pack that is too hot or too cold, it automatically starts a Hot/Cold Pack Delay, suspending charging until the battery pack has reached an appropriate temperature. The charger then automatically switches to the pack charging mode. This feature ensures maximum battery pack life.

A cold battery pack will charge at a slower rate than a warm battery pack. The battery pack will charge at that slower rate throughout the entire charging cycle and will not return to maximum charge rate even if the battery pack warms.

The DCB118 charger is equipped with an internal fan designed to cool the battery pack. The fan will turn on automatically when the battery pack needs to be cooled. Never operate the charger if the fan does not operate properly or if ventilation slots are blocked. Do not permit foreign objects to enter the interior of the charger.

Electronic Protection System

Li-Ion tools are designed with an Electronic Protection System that will protect the battery pack against overloading, overheating or deep discharge.

The tool will automatically turn off if the Electronic Protection System engages. If this occurs, place the lithium-ion battery pack on the charger until it is fully charged.

Wall Mounting

DCB107, DCB112, DCB113, DCB115, DCB118, DCB132

These chargers are designed to be wall mountable or to sit upright on a table or work surface. If wall mounting, locate the charger within reach of an electrical outlet, and away from a corner or other obstructions which may impede air flow. Use the back of the charger as a template for the location of the mounting screws on the wall. Mount the charger securely using drywall screws (purchased separately) at least 1" (25.4 mm) long, with a screw head diameter of 0.28–0.35" (7–9 mm), screwed into wood to an optimal depth leaving approximately 7/32" (5.5 mm) of the screw exposed. Align the slots on the back of the charger with the exposed screws and fully engage them in the slots.

Charger Cleaning Instructions



WARNING: Shock hazard. Disconnect the charger from the AC outlet before cleaning. Dirt and grease may be removed from the exterior of the charger using a cloth or soft non-metallic brush. Do not use water or any cleaning solutions.

Important Charging Notes

1. Longest life and best performance can be obtained if the battery pack is charged when the air temperature is

ENGLISH

between 65 °F and 75 °F (18 ° – 24 °C). DO NOT charge the battery pack in an air temperature below +40 °F (+4.5 °C), or above +104 °F (+40 °C). This is important and will prevent serious damage to the battery pack.

- The charger and battery pack may become warm to the touch while charging. This is a normal condition, and does not indicate a problem. To facilitate the cooling of the battery pack after use, avoid placing the charger or battery pack in a warm environment such as in a metal shed or an uninsulated trailer.
- If the battery pack does not charge properly:
 - Check operation of receptacle by plugging in a lamp or other appliance;
 - Check to see if receptacle is connected to a light switch which turns power off when you turn out the lights;
 - Move the charger and battery pack to a location where the surrounding air temperature is approximately 65 °F – 75 °F (18 ° – 24 °C);
 - If charging problems persist, take the tool, battery pack and charger to your local service center.
- The battery pack should be recharged when it fails to produce sufficient power on jobs which were easily done previously. DO NOT CONTINUE to use under these conditions. Follow the charging procedure. You may also charge a partially used pack whenever you desire with no adverse effect on the battery pack.
- Foreign materials of a conductive nature such as, but not limited to, grinding dust, metal chips, steel wool, aluminum foil, or any buildup of metallic particles should be kept away from charger cavities. Always unplug the charger from the power supply when there is no battery pack in the cavity. Unplug the charger before attempting to clean.
- Do not freeze or immerse the charger in water or any other liquid.


Storage Recommendations

- The best storage place is one that is cool and dry, away from direct sunlight and excess heat or cold.
- For long storage, it is recommended to store a fully charged battery pack in a cool dry place out of the charger for optimal results.

NOTE: Battery packs should not be stored completely depleted of charge. The battery pack will need to be recharged before use.

SAVE THESE INSTRUCTIONS FOR FUTURE USE

COMPONENTS (FIG. A)

 **WARNING:** Never modify the power tool or any part of it. Damage or personal injury could result.

Refer to Figure A at the beginning of this manual for a complete list of components.

Intended Use

Your heavy-duty small angle grinder has been designed for professional grinding, sanding, wire brush, and cut-off applications at various work sites (i.e., construction sites).

DO NOT use under wet conditions or in presence of flammable liquids or gases.

Your heavy-duty small angle grinders is a professional power tool. **DO NOT** let children come into contact with the tool. Supervision is required when inexperienced operators use this tool.

Features

E-Switch Protection™

The ON/OFF paddle switch has a no-volt release function. In the event of an unexpected shut down, the paddle switch will need to be released then depressed to restart tool.

E-Clutch™

This unit is equipped with an E-Clutch™ (Electronic Clutch), which in the event of a high-load, the unit will shut off to reduce the reaction torque to the user. The paddle switch will need to be released then depressed to restart tool.

Kickback Brake™

When a pinch, stall, or bind-up event is sensed, the electronic brake engages with maximum force to quickly stop the wheel, reduce the movement of the grinder, and shut the grinder off. The paddle switch will need to be released then depressed to restart tool.


Power-OFF™ Overload Protection

The power supply to the motor will be reduced in case of motor overload. With continued motor overload, the tool will shut off. The paddle switch will need to be released then depressed to restart tool. The tool will power off each time the current load reaches the overload current value (motor burn-up point). If continued overload shutdowns occur, apply less force/weight on the tool until the tool will function without the overload engaging.

Electronic Soft Start

This feature limits the initial start up momentum, allowing the speed to build up gradually over a 1 second period.

ASSEMBLY AND ADJUSTMENTS

 **WARNING:** To reduce the risk of serious personal injury, turn unit off and remove the battery pack before making any adjustments or removing/installing attachments or accessories. An accidental start-up can cause injury.

Attaching Side Handle (Fig. D)

 **WARNING:** Before using the tool, check that the handle is tightened securely.


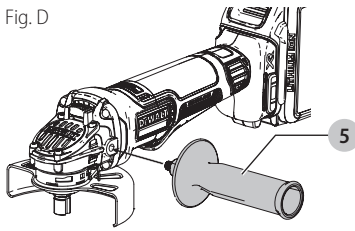
Screw the side handle  tightly into one of the holes on either side of the gear case. The side handle should always be used to maintain control of the tool at all times.

Fig. D

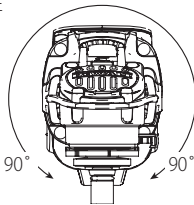


Rotating the Gear Case (Fig. E)

To improve user comfort, the gear case will rotate 90° for cutting operations.

1. Remove the four corner screws attaching the gear case to motor housing.
2. Without separating the gear case from motor housing, rotate the gear case head to desired position.

Fig. E



NOTE: If the gear case and motor housing become separated by more than 1/8" (3.17 mm), the tool must be serviced and re-assembled by a DeWALT service center. Failure to have the tool serviced may motor and bearing failure.

3. Reinstall screws to attach the gear case to the motor housing. Tighten screws to 12.5 in.-lbs. torque. Overtightening could cause screws to strip.

Guards

CAUTION: Guards must be used with all grinding wheels, cutting wheels, sanding flap discs, wire brushes, and wire wheels. The tool may be used without a guard only when sanding with conventional sanding discs. Refer to Figure A to see guards provided with the unit. Some applications may require purchasing the correct guard from your local dealer or authorized service center.

NOTE: Edge grinding and cutting can be performed with Type 27 wheels designed and specified for this purpose; 6.35 mm thick wheels are designed for surface grinding while thinner Type 27 wheels need to be examined for the manufacturer's label to see if they can be used for surface grinding or only edge grinding/cutting. A Type 1 guard must be used for any wheel where surface grinding is forbidden. Cutting can also be performed by using a Type 41 wheel and a Type 1 guard.

NOTE: See the **Accessories Chart** to select the proper guard/accessory combination.

Adjusting and Mounting Guard (Fig. F)

WARNING: To reduce the risk of serious personal injury, turn tool off and disconnect battery pack before making any adjustments or removing/

installing attachments or accessories. An accidental start-up can cause injury.



CAUTION: BEFORE operating the tool, identify which guard adjustment option your tool is set to.

Adjustment Options

For guard adjustment, the guard release lever **9** engages one of the alignment holes **14** on the guard collar using a ratcheting feature.

One-touch™: In this position the engaging face is slanted and will ride over to the next alignment hole when guard is rotated in a clockwise direction (spindle facing user) but self-locks in the counter-clockwise direction.

Mounting Guard (Fig. F)



CAUTION: Prior to mounting guard, ensure the screw, lever, and spring are fitted correctly before mounting the guard.

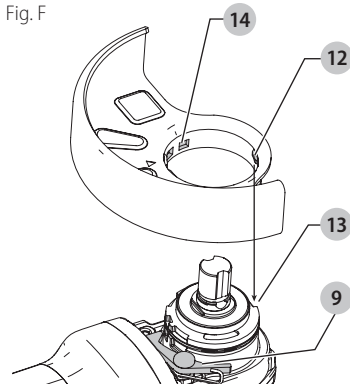
1. With the spindle facing the operator, press and hold the guard release lever **9**.
2. Align the lugs **12** on the guard with the slots **13** on the gear case cover.
3. Push the guard down until the guard lugs engage and rotate them in the groove on the gear case cover. Release the guard release lever.
4. To position the guard, rotate the guard clockwise into the desired working position. Press and hold the guard release lever **9** to rotate the guard in the counter-clockwise direction.

NOTE: The guard body should be positioned between the spindle and the operator to provide maximum operator protection.

The guard release lever should snap into one of the alignment holes **14** on the guard collar. This ensures that the guard is secure.

5. To remove the guard, follow steps 1–3 of these instructions in reverse.

Fig. F



Flanges and Wheels



CAUTION: Turn unit off and unplug the tool before making any adjustments or removing or installing attachments or accessories.

ENGLISH

Mounting Non-Hubbed Wheels (Fig. G)

! WARNING: Failure to properly seat the flanges and/or wheel could result in serious injury (or damage to the tool or wheel).

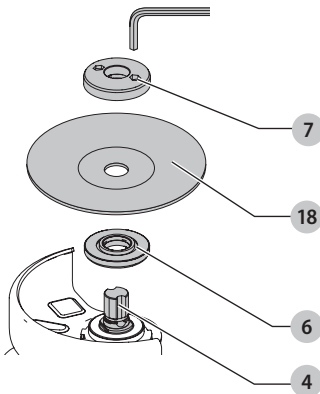
! CAUTION: Included flanges must be used with depressed center Type 27/42 grinding wheels and Type 1/41 cutting wheels. See the **Accessories Chart** for more information.

! WARNING: A closed, two-sided cutting wheel guard is required when using abrasive cutting wheels or diamond coated cutting wheels.

! WARNING: Use of a damaged flange or guard or failure to use proper flange and guard can result in injury due to wheel breakage and wheel contact. See the **Accessories Chart** for more information.

1. Place the tool on a table, guard up.
2. Install the backing flange **6** on spindle **4** with the raised center (pilot) facing the wheel. Press the backing flange into place.
3. Place wheel **18** against the backing flange, centering the wheel on the raised center (pilot) of the backing flange.
4. While depressing the spindle lock button and with the hex depressions facing away from the wheel, thread the locking flange **7** on spindle so that the lugs engage the two slots in the spindle.
5. While depressing the spindle lock button, tighten the locking flange **7** by hand or using the wrench supplied. (Only use a locking flange if it is in perfect condition.) Refer to **Accessory Chart** to see flange details.
6. To remove the wheel, reverse the above procedure.

Fig. G



Mounting Sanding Backing Pads (Fig. A, H)

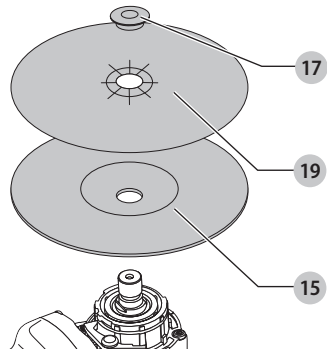
NOTE: Use of a guard with sanding discs that use backing pads, often called fiber resin discs, is not required. Since a guard is not required for these accessories, the guard may or may not fit correctly if used.

! WARNING: Failure to properly seat the clamp nut and/or pad could result in serious injury (or damage to the tool or wheel).

! WARNING: Proper guard must be reinstalled for grinding wheel, cutting wheel, sanding flap disc, wire brush or wire wheel applications after sanding applications are complete.

1. Place or appropriately thread backing pad **15** on the spindle.
2. Place the sanding disc **19** on the backing pad **15**.
3. While depressing spindle lock button **3**, thread the sanding clamp nut **17** on spindle, piloting the raised hub on the clamp nut into the center of sanding disc and backing pad.
4. Tighten the clamp nut by hand. Then depress the spindle lock button while turning the sanding disc until the sanding disc and clamp nut are snug.
5. To remove the wheel, grasp and turn the backing pad and sanding pad while depressing the spindle lock button.

Fig. H



Mounting and Removing Hubbed Wheels (Fig. A)

Hubbed wheels install directly on the spindle. Thread of accessory must match thread of spindle.

1. Remove backing flange by pulling away from tool.
2. Thread the wheel on the spindle **4** by hand.
3. Depress the spindle lock button **3** and use a wrench to tighten the hub of the wheel.
4. Reverse the above procedure to remove the wheel.

NOTICE: Failure to properly seat the wheel before turning the tool on may result in damage to the tool or the wheel.

Mounting Wire Cup Brushes and Wire Wheels (Fig. A)

! WARNING: Failure to properly seat the brush/wheel could result in serious injury (or damage to the tool or wheel).

! CAUTION: To reduce the risk of personal injury, wear work gloves when handling wire brushes and wheels. They can become sharp.

! CAUTION: To reduce the risk of damage to the tool, wheel or brush must not touch guard when mounted or while in use. Undetectable damage could occur to the accessory, causing wires to fragment from accessory wheel or cup.

Wire cup brushes or wire wheels install directly on the threaded spindle without the use of flanges. Use only wire brushes or wheels provided with a threaded hub. These accessories are available at extra cost from your local dealer or authorised service center.

1. Place the tool on a table, guard up.
2. Thread the wheel on the spindle by hand.
3. Depress spindle lock button **3** and use a wrench on the hub of the wire wheel or brush to tighten the wheel.
4. To remove the wheel, reverse the above procedure.

NOTICE: To reduce the risk of damage to the tool, properly seat the wheel hub before turning the tool on.

Prior to Operation

- Install the guard and appropriate disc or wheel. Do not use excessively worn discs or wheels.
- Be sure the backing flange and locking flange are mounted correctly. Follow the instructions given in the **Accessory Chart**.
- Make sure the disc or wheel rotates in the direction of the arrows on the accessory and the tool.
- Do not use a damaged accessory. Before each use inspect the accessory such as abrasive wheels for chips and cracks, backing pad for cracks, tear or excess wear, wire brush for loose or cracked wires. If power tool or accessory is dropped, inspect for damage or install an undamaged accessory. After inspecting and installing an accessory, position yourself and bystanders away from the plane of the rotating accessory and run the power tool at maximum no-load speed for one minute. Damaged accessories will normally break apart during this test time.

OPERATION

- ⚠ **WARNING:** To reduce the risk of serious personal injury, turn unit off and remove the battery pack before making any adjustments or removing/installing attachments or accessories. An accidental start-up can cause injury.

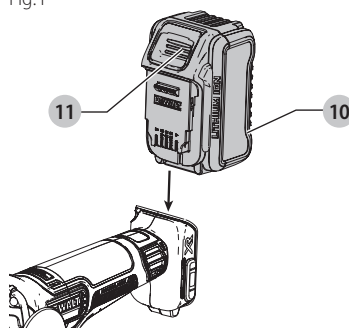
Installing and Removing the Battery Pack (Fig. I)

NOTE: For best results, make sure your battery pack is fully charged.

To install the battery pack **10** into the tool handle, align the battery pack with the rails inside the tool's handle and slide it into the handle until the battery pack is firmly seated in the tool and ensure that it does not disengage.

To remove the battery pack from the tool, press the release button **11** and firmly pull the battery pack out of the tool handle. Insert it into the charger as described in the charger section of this manual.

Fig. I



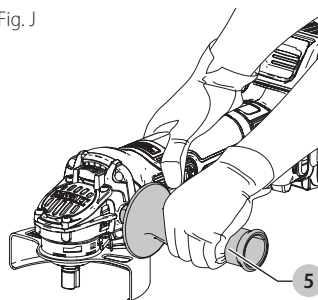
Proper Hand Position (Fig. J)

- ⚠ **WARNING:** To reduce the risk of serious personal injury, ALWAYS use proper hand position as shown.

- ⚠ **WARNING:** To reduce the risk of serious personal injury, ALWAYS hold securely in anticipation of a sudden reaction.

Proper hand position requires one hand on the side handle **5**, with the other hand on the body of the tool, as shown in Figure J.

Fig. J



Paddle Switch (Fig. A)

- ⚠ **CAUTION:** Hold the side handle and body of the tool firmly to maintain control of the tool at start up and during use and until the wheel or accessory stops rotating. Make sure the wheel has come to a complete stop before laying the tool down.

- ⚠ **CAUTION:** Before inserting the battery, depress and release the paddle switch **1** once to ensure that the switch is off. Depress and release the paddle switch as described below after any interruption in power supply to the tool, such as motor overload, pinch, stall or bind-up event, or any other unexpected tool shutdown.

NOTE: To reduce unexpected tool movement, do not switch the tool on or off while under load conditions. Allow the grinder to run up to full speed before touching the work surface. Lift the tool from the surface before turning the tool off. Allow the tool to stop rotating before putting it down.

1. To turn the tool on, push the lock-off lever **2** toward the back of the tool, then depress the paddle switch **1**. The tool will run while the switch is depressed.
2. Turn the tool off by releasing the paddle switch.

ENGLISH

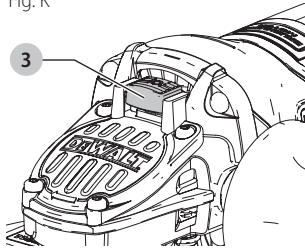
Spindle Lock Button (Fig. K)

The spindle lock button 3 is provided to prevent the spindle from rotating when installing or removing wheels. Operate the spindle lock only when the tool is turned off, when the battery has been removed, and has come to a complete stop.

NOTICE: To reduce the risk of damage to the tool, do not engage the spindle lock while the tool is operating. Damage to the tool will result and attached accessory may spin off possibly resulting in injury.

To engage the lock, depress the spindle lock button 3 and rotate the spindle until you are unable to rotate the spindle further.

Fig. K



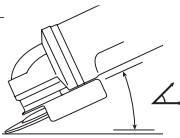
Surface Grinding, Sanding and Wire Brushing (Fig. L)

CAUTION: Always use the correct guard per the instructions in this manual.

To perform work on the surface of a workpiece:

1. Allow the tool to reach full speed before touching the tool to the work surface.
2. Apply minimum pressure to the work surface, allowing the tool to operate at high speed. Material removal rate is greatest when the tool operates at high speed.

Fig. L



3. Maintain an appropriate angle between the tool and work surface. Refer to the chart according to particular function.

| Function | Angle \angle |
|--------------------------|----------------|
| Grinding | 20° -30° |
| Sanding with Flap Disc | 5° -10° |
| Sanding with Backing Pad | 5° -15° |
| Wire Brushing | 5° -10° |

4. Maintain contact between the edge of the wheel and the work surface.
 - If grinding, sanding with flap discs or wire brushing move the tool continuously in a forward and

back motion to avoid creating gouges in the work surface.

- If sanding with a backing pad, move the tool constantly in a straight line to prevent burning and swirling of work surface.

NOTE: Allowing the tool to rest on the work surface without moving will damage the work piece.

5. Remove the tool from work surface before turning tool off. Allow the tool to stop rotating before laying it down.

CAUTION: Use extra care when working over an edge, as a sudden sharp movement of grinder may be experienced.

Precautions To Take When Working on a Painted Workpiece

1. Sanding or wire brushing of lead based paint is NOT RECOMMENDED due to the difficulty of controlling the contaminated dust. The greatest danger of lead poisoning is to children and pregnant women.
2. Since it is difficult to identify whether or not a paint contains lead without a chemical analysis, we recommend the following precautions when sanding any paint:

Personal Safety

1. No children or pregnant women should enter the work area where the paint sanding or wire brushing is being done until all clean up is completed.
2. A dust mask or respirator should be worn by all persons entering the work area. The filter should be replaced daily or whenever the wearer has difficulty breathing. **NOTE:** Only those dust masks suitable for working with lead paint dust and fumes should be used. Ordinary painting masks do not offer this protection. See your local hardware dealer for the proper NIOSH-approved mask.
3. NO EATING, DRINKING or SMOKING should be done in the work area to prevent ingesting contaminated paint particles. Workers should wash and clean up BEFORE eating, drinking or smoking. Articles of food, drink, or smoking should not be left in the work area where dust would settle on them.

Environmental Safety

1. Paint should be removed in such a manner as to minimize the amount of dust generated.
2. Areas where paint removal is occurring should be sealed with plastic sheeting of 4 mils thickness.
3. Sanding should be done in a manner to reduce tracking of paint dust outside the work area.

Cleaning and Disposal

1. All surfaces in the work area should be vacuumed and thoroughly cleaned daily for the duration of the sanding project. Vacuum filter bags should be changed frequently.
2. Plastic drop cloths should be gathered up and disposed of along with any dust chips or other removal debris. They should be placed in sealed refuse receptacles and disposed of through regular trash pick-up procedures.

During clean up, children and pregnant women should be kept away from the immediate work area.

- All toys, washable furniture and utensils used by children should be washed thoroughly before being used again.

Edge Grinding and Cutting (Fig. M)

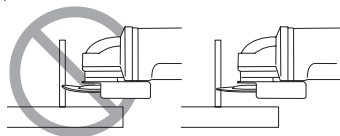
WARNING: Do not use edge grinding/cutting wheels for surface grinding applications because these wheels are not designed for side pressures encountered with surface grinding. Wheel breakage and injury may result.

CAUTION: Wheels used for edge grinding and cutting may break or kick back if they bend or twist while the tool is being used. In all edge grinding/cutting operations, the open side of the guard must be positioned away from the operator.

NOTICE: Edge grinding/cutting with a Type 27 wheel must be limited to shallow cutting and notching—less than 13 mm in depth when the wheel is new. Reduce the depth of cutting/notching equal to the reduction of the wheel radius as it wears down. Refer to the **Accessories Chart** for more information. Edge grinding/cutting with a Type 41 wheel requires usage of a Type 1 guard.

- Allow the tool to reach full speed before touching the tool to the work surface.
- Apply minimum pressure to the work surface, allowing the tool to operate at high speed. Grinding/cutting rate is greatest when the tool operates at high speed.
- Position yourself so that the open-underside of the wheel is facing away from you.
- Once a cut is begun and a notch is established in the workpiece, do not change the angle of the cut. Changing the angle will cause the wheel to bend and may cause wheel breakage. Edge grinding wheels are not designed to withstand side pressures caused by bending.

Fig. M



- Remove the tool from the work surface before turning the tool off. Allow the tool to stop rotating before laying it down.

MAINTENANCE

WARNING: To reduce the risk of serious personal injury, turn unit off and remove the battery pack before making any adjustments or removing/installing attachments or accessories. An accidental start-up can cause injury.

Cleaning

WARNING: Blow dirt and dust out of all air vents with clean, dry air at least once a week. To minimize the risk

of eye injury, always wear ANSI Z87.1 approved eye protection when performing this.

WARNING: Never use solvents or other harsh chemicals for cleaning the non-metallic parts of the tool. These chemicals may weaken the plastic materials used in these parts. Use a cloth dampened only with water and mild soap. Never let any liquid get inside the tool; never immerse any part of the tool into a liquid.

Accessories

WARNING: Since accessories, other than those offered by DeWALT, have not been tested with this product, use of such accessories with this tool could be hazardous. To reduce the risk of injury, only DeWALT recommended accessories should be used with this product.

Recommended accessories for use with your tool are available at extra cost from your local dealer or authorized service center. If you need assistance in locating any accessory, please contact DeWALT Industrial Tool Co., 701 East Joppa Road, Towson, MD 21286, call 1-800-4-DeWALT (1-800-433-9258) or visit our website: www.dewalt.com.

Repairs

The charger and battery pack are not serviceable.

WARNING: To assure product SAFETY and RELIABILITY, repairs, maintenance and adjustment (including brush inspection and replacement, when applicable) should be performed by a DeWALT factory service center or a DeWALT authorized service center. Always use identical replacement parts.

Register Online

Thank you for your purchase. Register your product now for:

- WARRANTY SERVICE:** Registering your product will help you obtain more efficient warranty service in case there is a problem with your product.
- CONFIRMATION OF OWNERSHIP:** In case of an insurance loss, such as fire, flood or theft, your registration of ownership will serve as your proof of purchase.
- FOR YOUR SAFETY:** Registering your product will allow us to contact you in the unlikely event a safety notification is required under the Federal Consumer Safety Act.

Register online at www.dewalt.com/register.

Three Year Limited Warranty

DeWALT will repair, without charge, any defects due to faulty materials or workmanship for three years from the date of purchase. This warranty does not cover part failure due to normal wear or tool abuse. For further detail of warranty coverage and warranty repair information, visit www.dewalt.com or call 1-800-4-DeWALT (1-800-433-9258). This warranty does not apply to accessories or damage caused where repairs have been made or attempted by others. THIS LIMITED WARRANTY IS

ENGLISH

GIVEN IN LIEU OF ALL OTHERS, INCLUDING THE IMPLIED WARRANTY OF MERCHANTABILITY AND FITNESS FOR A PARTICULAR PURPOSE, AND EXCLUDES ALL INCIDENTAL OR CONSEQUENTIAL DAMAGES. Some states do not allow limitations on how long an implied warranty lasts or the exclusion or limitation of incidental or consequential damages, so these limitations may not apply to you. This warranty gives you specific legal rights and you may have other rights which vary in certain states or provinces.

In addition to the warranty, DeWALT tools are covered by our:

1 YEAR FREE SERVICE

DeWALT will maintain the tool and replace worn parts caused by normal use, for free, any time during the first year after purchase.

2 YEARS FREE SERVICE ON DEWALT BATTERY PACKS

DC9071, DC9091, DC9096, DC9182, DC9280, DC9360, DCB120, DCB127, DCB201, DCB203, DCB203BT, DCB207, DCB361

3 YEARS FREE SERVICE ON DEWALT BATTERY PACKS

DCB200, DCB204, DCB204BT, DCB205, DCB205BT, DCB206, DCB606, DCB609

NOTE: Battery warranty voided if the battery pack is tampered with in any way. DeWALT is not responsible for any injury caused by tampering and may prosecute warranty fraud to the fullest extent permitted by law.

90 DAY MONEY BACK GUARANTEE

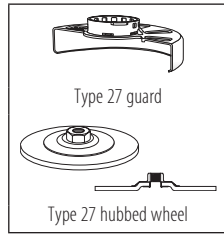
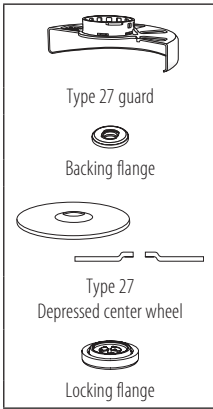
If you are not completely satisfied with the performance of your DeWALT Power Tool, Laser, or Nailer for any reason, you can return it within 90 days from the date of purchase with a receipt for a full refund – no questions asked.

LATIN AMERICA: This warranty does not apply to products sold in Latin America. For products sold in Latin America, see country specific warranty information contained in the packaging, call the local company or see website for warranty information.

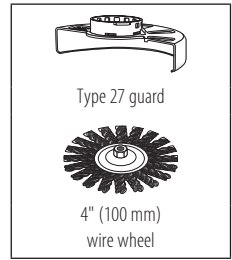
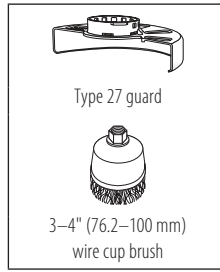
FREE WARNING LABEL REPLACEMENT: If your warning labels become illegible or are missing, call 1-800-4-DeWALT (1-800-433-9258) for a free replacement.

ACCESSORIES CHART

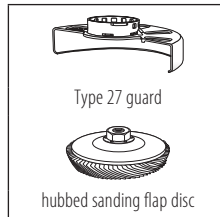
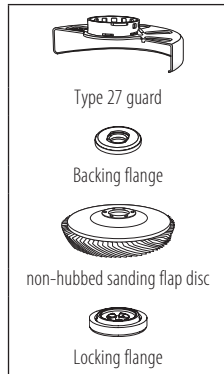
4.5" (115 mm) Grinding Wheels



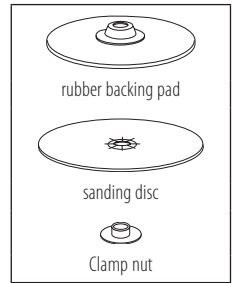
Wire Wheels



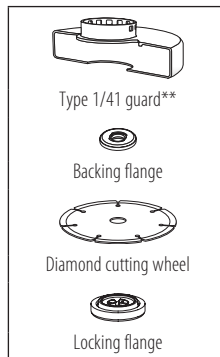
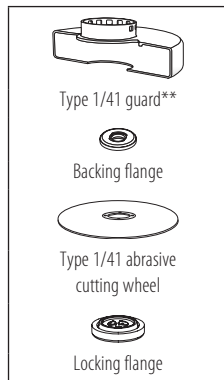
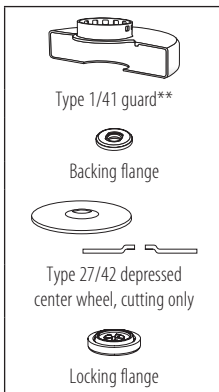
4.5" (115 mm) Sanding Flap Discs



Sanding Discs



4.5" (115 mm) Cutting Wheels



! *Type 1/41 guards are intended for use with Type 1/41 cutting wheels and Type 27 wheels marked for cutting only. Grinding with wheels other than Type 27 and Type 29 require different accessory guards. Always use the smallest proper guard possible that does not contact the accessory.*

**** NOTE:** A Type 1/41 guard is available at extra cost from your local dealer or authorized service center.

Definiciones: Símbolos y palabras de alerta de seguridad

Este manual de instrucciones utiliza los siguientes símbolos y palabras de alerta de seguridad para alertarle de situaciones peligrosas y del riesgo de lesiones corporales o daños materiales.

! **PELIGRO:** Indica una situación de peligro inminente que, si no se evita, provocará **la muerte o lesiones graves**.

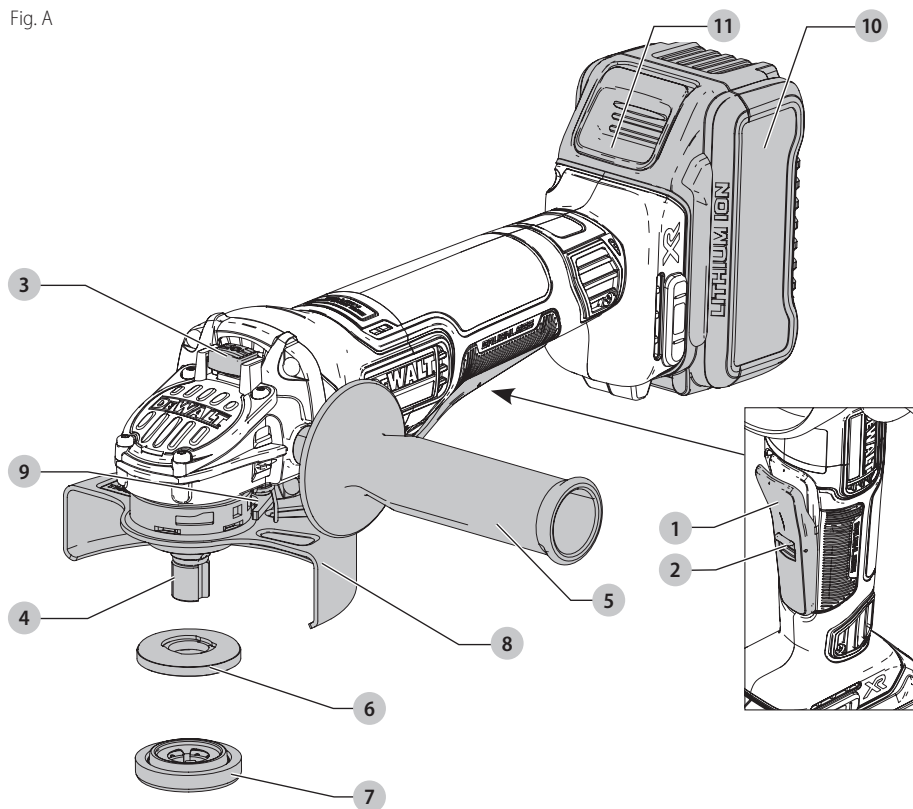
! **ADVERTENCIA:** Indica una situación de peligro potencial que, si no se evita, **podría** provocar **la muerte o lesiones graves**.

! **ATENCIÓN:** Indica una situación de peligro potencial que, si no se evita, **posiblemente** provocaría **lesiones leves o moderadas**.

! (Utilizado sin palabras) indica un mensaje de seguridad relacionado.

AVISO: Se refiere a una práctica **no relacionada a lesiones corporales** que de no evitarse **puede** resultar en **daños a la propiedad**.

Fig. A



- | | |
|---------------------------------|---------------------------------------|
| 1 Interruptor de paleta | 7 Brida de bloqueo |
| 2 Palanca de bloqueo de apagado | 8 Protección |
| 3 Botón de bloqueo de husillo | 9 Palanca de liberación de protección |
| 4 Husillo | 10 Paquete de batería |
| 5 Manija lateral | 11 Botón de liberación de batería |
| 6 Brida de ret्रेसo | |

! **¡ADVERTENCIA!** Lea todas las advertencias de seguridad e instrucciones. El incumplimiento de las advertencias e instrucciones puede provocar descargas eléctricas, incendios o lesiones graves.

! **ADVERTENCIA:** Para reducir el riesgo de lesiones, lea el manual de instrucciones.

Si tiene alguna duda o algún comentario sobre ésta u otra herramienta DeWALT, llámenos al número gratuito: 1-800-4-DeWALT (1-800-433-9258).

ADVERTENCIAS GENERALES DE SEGURIDAD PARA HERRAMIENTAS ELÉCTRICAS

⚠ ¡ADVERTENCIA! Lea todas las advertencias de seguridad e instrucciones. El incumplimiento de las advertencias e instrucciones puede provocar descargas eléctricas, incendios o lesiones graves.

CONSERVE TODAS LAS ADVERTENCIAS E INSTRUCCIONES PARA FUTURAS CONSULTAS

El término "herramienta eléctrica" incluido en las advertencias hace referencia a las herramientas eléctricas operadas con corriente (con cable eléctrico) o a las herramientas eléctricas operadas con baterías (inalámbricas).

1) Seguridad en el Área de Trabajo

- Mantenga el área de trabajo limpia y bien iluminada.** Las áreas abarrotadas y oscuras propician accidentes.
- No opere las herramientas eléctricas en atmósferas explosivas, como ambientes donde haya polvo, gases o líquidos inflamables.** Las herramientas eléctricas originan chispas que pueden encender el polvo o los vapores.
- Mantenga alejados a los niños y a los espectadores de la herramienta eléctrica en funcionamiento.** Las distracciones pueden provocar la pérdida de control.

2) Seguridad Eléctrica

- No enchufes de la herramienta eléctrica deben adaptarse al tomacorriente. Nunca modifique el enchufe de ninguna manera. No utilice ningún enchufe adaptador con herramientas eléctricas con conexión a tierra.** Los enchufes no modificados y que se adaptan a los tomacorrientes reducirán el riesgo de descarga eléctrica.
- Evite el contacto corporal con superficies con descargas a tierra como, por ejemplo, tuberías, radiadores, cocinas eléctricas y refrigeradores.** Existe mayor riesgo de descarga eléctrica si su cuerpo está puesto a tierra.
- No exponga las herramientas eléctricas a la lluvia o a condiciones de humedad.** Si entra agua a una herramienta eléctrica, aumentará el riesgo de descarga eléctrica.
- No maltrate el cable. Nunca utilice el cable para transportar, tirar o desenchufar la herramienta eléctrica. Mantenga el cable alejado del calor, el aceite, los bordes filosos y las piezas móviles.** Los cables dañados o enredados aumentan el riesgo de descarga eléctrica.
- Al operar una herramienta eléctrica en el exterior, utilice un cable prolongador adecuado para tal uso.** Utilice un cable adecuado para uso en exteriores a fin de reducir el riesgo de descarga eléctrica.
- Si el uso de una herramienta eléctrica en un lugar húmedo es imposible de evitar, utilice**

un suministro protegido con un interruptor de circuito por falla a tierra (GFCI). El uso de un GFCI reduce el riesgo de descargas eléctricas.

3) Seguridad Personal

- Permanezca alerta, controle lo que está haciendo y utilice el sentido común cuando emplee una herramienta eléctrica. No utilice una herramienta eléctrica si está cansado o bajo el efecto de drogas, alcohol o medicamentos.** Un momento de descuido mientras se opera una herramienta eléctrica puede provocar lesiones personales graves.
- Utilice equipos de protección personal. Siempre utilice protección para los ojos.** En las condiciones adecuadas, el uso de equipos de protección, como máscaras para polvo, calzado de seguridad antideslizante, cascos o protección auditiva, reducirá las lesiones personales.
- Evite el encendido por accidente. Asegúrese de que el interruptor esté en la posición de apagado antes de conectarlo a la fuente de energía o paquete de baterías, o antes de levantar o transportar la herramienta.** Transportar herramientas eléctricas con el dedo apoyado en el interruptor o enchufar herramientas eléctricas con el interruptor en la posición de encendido puede propiciar accidentes.
- Retire la clavija de ajuste o la llave de tuercas antes de encender la herramienta eléctrica.** Una llave de tuercas o una clavija de ajuste que quede conectada a una pieza giratoria de la herramienta eléctrica puede provocar lesiones personales.
- No se estire. Conserve el equilibrio y párese adecuadamente en todo momento.** Esto permite un mejor control de la herramienta eléctrica en situaciones inesperadas.
- Use la vestimenta adecuada. No use ropas holgadas ni joyas. Mantenga el cabello, la ropa y los guantes alejados de las piezas en movimiento.** Las ropas holgadas, las joyas o el cabello largo pueden quedar atrapados en las piezas en movimiento.
- Si se suministran dispositivos para la conexión de accesorios con fines de recolección y extracción de polvo, asegúrese de que estén conectados y que se utilicen correctamente.** El uso de dispositivos de recolección de polvo puede reducir los peligros relacionados con el polvo.

4) Uso y Mantenimiento de la Herramienta Eléctrica

- No fuerce la herramienta eléctrica. Utilice la herramienta eléctrica correcta para el trabajo que realizará.** Si se la utiliza a la velocidad para la que fue diseñada, la herramienta eléctrica correcta permite trabajar mejor y de manera más segura.
- No utilice la herramienta eléctrica si no puede encenderla o apagarla con el interruptor.** Toda

herramienta eléctrica que no pueda ser controlada mediante el interruptor es peligrosa y debe repararse.

- c) **Desconecte el enchufe de la fuente de energía o el paquete de baterías de la herramienta eléctrica antes de realizar ajustes, cambiar accesorios o almacenar la herramienta eléctrica.** Estas medidas de seguridad preventivas reducen el riesgo de encender la herramienta eléctrica en forma accidental.
- d) **Guarde la herramienta eléctrica que no esté en uso fuera del alcance de los niños y no permita que otras personas no familiarizadas con ella o con estas instrucciones operen la herramienta.** Las herramientas eléctricas son peligrosas si son operadas por usuarios no capacitados.
- e) **Realice el mantenimiento de las herramientas eléctricas. Revise que no haya piezas en movimiento mal alineadas o trabadas, piezas rotas o cualquier otra situación que pueda afectar el funcionamiento de la herramienta eléctrica. Si encuentra daños, haga reparar la herramienta eléctrica antes de utilizarla.** Se producen muchos accidentes a causa de las herramientas eléctricas que carecen de un mantenimiento adecuado.
- f) **Mantenga las herramientas de corte afiladas y limpias.** Las herramientas de corte con mantenimiento adecuado y con los bordes de corte afilados son menos propensas a trabarse y son más fáciles de controlar.
- g) **Utilice la herramienta eléctrica, los accesorios y las brocas de la herramienta, etc. de acuerdo con estas instrucciones y teniendo en cuenta las condiciones de trabajo y el trabajo que debe realizarse.** El uso de la herramienta eléctrica para operaciones diferentes de aquellas para las que fue diseñada podría originar una situación peligrosa.

5) Uso y Mantenimiento de la Herramienta con Baterías

- a) **Recargue solamente con el cargador especificado por el fabricante.** Un cargador adecuado para un tipo de paquete de baterías puede originar riesgo de incendio si se utiliza con otro paquete de baterías.
- b) **Utilice herramientas eléctricas sólo con paquetes de baterías específicamente diseñados.** El uso de cualquier otro paquete de baterías puede producir riesgo de incendio y lesiones.
- c) **Cuando no utilice el paquete de baterías, manténgalo lejos de otros objetos metálicos como sujetapapeles, monedas, llaves, clavos, tornillos u otros objetos metálicos pequeños que puedan realizar una conexión desde un terminal al otro.** Los cortocircuitos en los terminales de la batería pueden provocar quemaduras o incendio.
- d) **En condiciones abusivas, el líquido puede ser expulsado de la batería. Evite su contacto. Si entra en contacto accidentalmente, enjuague**

con agua. Si el líquido entra en contacto con los ojos, busque atención médica. El líquido expulsado de la batería puede provocar irritación o quemaduras.

6) Mantenimiento

- a) **Solicite a una persona calificada en reparaciones que realice el mantenimiento de su herramienta eléctrica y que sólo utilice piezas de repuesto idénticas.** Esto garantizará la seguridad de la herramienta eléctrica.

INSTRUCCIONES DE SEGURIDAD PARA TODAS LAS OPERACIONES

Advertencias de seguridad comunes para Esmerilado, Lijado, Pulido con Alambre u Operaciones abrasivas o de corte

- a) **Esta herramienta eléctrica está diseñada para utilizarse como esmeriladora, lijadora, cepillo de alambre, pulidora o desbastadora. Lea todas las advertencias de seguridad, instrucciones, ilustraciones y especificaciones provistas con esta herramienta eléctrica.** El incumplimiento de todas las instrucciones enumeradas a continuación puede provocar una descarga eléctrica, un incendio o lesiones graves.
- b) **No se recomienda el uso de esta herramienta eléctrica para algunas operaciones como las de pulido. Su uso para operaciones para las que la herramienta no ha sido diseñada puede ocasionar peligro y lesiones corporales.**
- c) **No utilice accesorios que no estén diseñados y recomendados específicamente por el fabricante de la herramienta.** El hecho que el accesorio pueda conectarse a la herramienta eléctrica no garantiza un funcionamiento seguro.
- d) **La velocidad nominal del accesorio debe ser equivalente a la velocidad máxima indicada en la herramienta eléctrica, como mínimo.** Los accesorios que funcionen más rápido que su velocidad nominal pueden romperse y desprenderse.
- e) **El diámetro externo y el grosor del accesorio deben estar dentro del rango de capacidad de la herramienta eléctrica.** Los accesorios de tamaño incorrecto no pueden protegerse ni controlarse adecuadamente.
- f) **El montaje de rosca de los accesorios debe corresponderse con la rosca del eje de la esmeriladora. Para los accesorios montados con bridas, el orificio del eje del accesorio debe ajustarse al diámetro de centrado de la brida.** Los accesorios que no se corresponden con las piezas de montaje de la herramienta eléctrica se desequilibrarán, vibrarán excesivamente y pueden causar pérdida de control.
- g) **No utilice un accesorio dañado. Inspeccione el accesorio antes de cada uso; por ejemplo, el disco abrasivo para verificar que no tenga**

- astillas ni grietas; la almohadilla de respaldo para ver si hay grietas, desprendimientos o desgaste excesivo y el cepillo de alambre para ver si tiene alambres sueltos o quebrados. Si la herramienta eléctrica o el accesorio sufre una caída, inspeccione para ver si hay daños o instale un accesorio en buen estado. Después de inspeccionar e instalar un accesorio, ubíquese y ubique a los espectadores lejos del plano del accesorio giratorio y haga funcionar la herramienta a velocidad máxima sin carga durante un minuto. Los accesorios dañados generalmente se romperán durante esta prueba.*
- h) **Utilice equipos de protección personal. Según la aplicación, debe usar protector facial, anteojos de seguridad o lentes de seguridad. Según corresponda, utilice máscara para polvo, protectores auditivos, guantes y delantal de taller para protegerse de los pequeños fragmentos abrasivos y de los fragmentos de la pieza de trabajo. La protección para los ojos debe ser capaz de detener los residuos volátiles que se generan en las diferentes operaciones. La máscara para polvo o respirador debe ser capaz de filtrar las partículas generadas por el funcionamiento de la herramienta. La exposición prolongada al ruido intenso puede provocar pérdida de la audición.**
- i) **Mantenga a los espectadores a una distancia segura del área de trabajo. Toda persona que ingrese al área de trabajo debe utilizar equipos de protección personal.** Los fragmentos de una pieza de trabajo o de un accesorio roto pueden volar y provocar lesiones más allá del área de operaciones cercana.
- j) **Sostenga la herramienta eléctrica por las superficies de sujeción aisladas únicamente, cuando realice una operación en la que la herramienta de corte pueda hacer contacto con cableado oculto.** El contacto con un cable "vivo" también hará que las partes de metal expuestas de la herramienta eléctrica estén "vivas" y podrían dar al operador una descarga eléctrica.
- k) **Nunca apoye la herramienta hasta que el accesorio se haya detenido completamente.** El accesorio giratorio puede enganchar la superficie y producir la pérdida de control de la herramienta.
- l) **No haga funcionar la herramienta eléctrica mientras la carga a su lado.** El contacto accidental con el accesorio giratorio puede hacer que éste se le enganche en la ropa y lance el accesorio hacia su cuerpo.
- m) **Limpie frecuentemente los orificios de ventilación de la herramienta eléctrica.** El ventilador del motor atraerá el polvo dentro de la cubierta, y la acumulación excesiva de polvo metálico puede producir riesgos eléctricos.
- n) **No use la herramienta eléctrica cerca de materiales inflamables.** Las chispas pueden encender estos materiales.
- o) **No utilice accesorios que requieran refrigerantes líquidos.** El uso de agua u otros refrigerantes líquidos puede producir una electrocución o descarga eléctrica.
- p) **No utilice discos Tipo 11 (copas cónicas) en esta herramienta.** El uso de accesorios incorrectos puede producir lesiones.
- q) **Siempre utilice el mango lateral. Ajuste el mango con firmeza.** Se debe utilizar siempre el mango lateral para mantener el control de la herramienta en todo momento.
- r) **Al arrancar la herramienta con un disco nuevo o de repuesto, o un cepillo de alambre nuevo o de repuesto, sostenga la herramienta en un área bien protegida y póngala en funcionamiento durante un minuto. Si el disco tiene una grieta o un defecto que haya pasado inadvertido, se romperá en pedazos en menos de un minuto. Si el cepillo de alambre tiene alambres sueltos, serán detectados. Nunca encienda la herramienta si una persona está parada frente al disco.** Esta instrucción incluye al operador.
- s) **El uso de accesorios no especificados en este manual no se recomienda y puede ser peligroso.** El uso de amplificadores de potencia que hagan que la herramienta funcione a velocidades mayores que su velocidad nominal constituye un mal uso.
- t) **Use abrazaderas u otra forma práctica de asegurar y apoyar la pieza de trabajo a una plataforma estable.** El sujetar la pieza de trabajo con la mano o contra su cuerpo no proporciona estabilidad y puede causar una pérdida de control.
- u) **Evite hacer rebotar el disco o manejarlo bruscamente.** Si ocurre esto, pare la herramienta e inspeccione el disco para comprobar si hay grietas o defectos.
- v) **Maneje y guarde siempre los discos con cuidado.**
- w) **No utilice esta herramienta durante períodos largos de tiempo. La vibración causada por la acción de funcionamiento de esta herramienta puede causar una lesión permanente a los dedos, manos y brazos.** Utilice guantes para proporcionar mayor protección, tómese descansos frecuentes y limite el tiempo de uso diario.
- x) **Los orificios de ventilación suelen cubrir las piezas en movimiento, por lo que deben evitarse.** La ropa suelta, las joyas y el pelo largo pueden quedar atrapados en las piezas en movimiento.

Causas del Retroceso y su Prevención por Parte del Operador

El retroceso es una reacción repentina al pellizco o atascamiento de un disco giratorio, una almohadilla de respaldo, un cepillo o cualquier otro accesorio. El pellizco o el atascamiento hacen que el accesorio giratorio se trabé

rápidamente, lo que a su vez provoca que la herramienta eléctrica fuera de control vaya en sentido opuesto al giro del accesorio en el punto del atascamiento.

Por ejemplo, si la pieza de trabajo atasca o pellizca el disco abrasivo, el borde del disco que ingresa en el punto de pliegue puede clavarse en la superficie del material y provocar que el disco salte o se desenganche. El disco puede saltar hacia el operador o en sentido contrario, según la dirección del movimiento del disco en el punto de pellizco. Los discos abrasivos también se pueden romper en estas condiciones. El retroceso es el resultado de un mal uso de la herramienta o de condiciones o procedimientos operativos incorrectos y se puede evitar tomando las precauciones apropiadas que se indican a continuación:

- a) **Sostenga la herramienta eléctrica con firmeza y ubique el cuerpo y el brazo para poder resistir las fuerzas de retroceso. Siempre utilice el mango lateral, en caso de tenerlo, para lograr el máximo control sobre el retroceso o la reacción de torsión durante el encendido.** El operador puede controlar la reacción de torsión o las fuerzas de retroceso si toma las precauciones adecuadas.
- b) **Nunca coloque la mano cerca del accesorio giratorio, ya que éste puede hacer un retroceso sobre la mano.**
- c) **No ubique el cuerpo en el área hacia donde la herramienta eléctrica se desplazará si se produce un retroceso.** El retroceso impulsará la herramienta en la dirección opuesta al movimiento del disco en el punto de atascamiento.
- d) **Tenga especial cuidado al trabajar en esquinas, bordes filosos, etc. Evite hacer rebotar o enganchar el accesorio.** Las esquinas, los bordes filosos y el rebote tienden a enganchar el accesorio giratorio y producir la pérdida de control o el retroceso de la unidad.
- e) **No conecte una hoja para carpintería para sierra de cadena ni una hoja de sierra dentada.** Estas hojas pueden producir el retroceso y la pérdida de control frecuentes.

Advertencias de seguridad específicas para operaciones de esmerilado y cortes abrasivos

- a) **Utilice sólo los tipos de disco recomendados para su herramienta eléctrica y el protector específico para el disco seleccionado.** Los discos para los que la herramienta eléctrica no está diseñada no pueden protegerse adecuadamente y son inseguros.
- b) **La superficie de esmerilado de los discos de centro hundido debe montarse por debajo del borde del protector.** Un disco montado incorrectamente que se proyecte a través del plano del borde del protector no puede protegerse adecuadamente.
- c) **El protector debe fijarse en forma segura a la herramienta eléctrica y ubicarse para brindar**

la máxima seguridad, de manera que una mínima parte del disco quede expuesta hacia el operador. El protector ayuda a proteger al operador de los fragmentos despedidos por discos rotos, del contacto accidental con el disco y de chispas que podrían prender fuego a la ropa.

- d) **Los discos sólo deben utilizarse para las aplicaciones recomendadas. Por ejemplo: no esmerile con el costado del disco de corte.** Los discos para cortes abrasivos están diseñados para esmerilados periféricos, si se aplican fuerzas laterales a estos discos, pueden romperse.
- e) **Siempre utilice bridas de disco en buen estado, con la forma y el tamaño apropiados para el disco seleccionado. Las bridas de disco adecuadas brindan soporte al disco, además de reducir la posibilidad de que el disco se rompa.** Las bridas de los discos de corte pueden ser diferentes a las bridas de discos de esmerilado.
- f) **No utilice discos desgastados de herramientas eléctricas más grandes.** Los discos diseñados para herramientas eléctricas más grandes no son apropiados para la mayor velocidad de una herramienta más pequeña y pueden estallar.

Advertencias de seguridad adicionales específicas para operaciones de corte abrasivo

- a) **No "atasque" el disco de corte ni aplique una presión excesiva. No intente realizar una profundidad de corte excesiva.** La sobrecarga de tensión sobre el disco aumenta la carga y la posibilidad de que el disco se tuerza o trabe durante el corte y se produzca un retroceso o la rotura del disco.
- b) **No ubique el cuerpo en línea y detrás del disco giratorio.** Cuando el disco, en funcionamiento, se aleja de su cuerpo, el posible retroceso puede despedir el disco giratorio y la herramienta eléctrica irá directamente hacia usted.
- c) **Cuando el disco se atasque o deba interrumpir el corte por algún motivo, apague la herramienta eléctrica y manténgala inmóvil hasta que el disco se detenga completamente. Nunca intente retirar el disco del corte mientras está en movimiento, ya que se puede producir un retroceso.** Investigue y tome las medidas correctivas para eliminar la causa del atascamiento del disco.
- d) **No vuelva a iniciar la operación de corte en la pieza de trabajo. Deje que el disco alcance la velocidad máxima y vuelva a entrar cuidadosamente en el corte.** El disco puede atascarse, saltarse del trabajo o producir un retroceso si la herramienta eléctrica se vuelve a encender dentro de la pieza de trabajo.
- e) **Sostenga los paneles o cualquier pieza de trabajo con sobreespesor para minimizar el**

riesgo de que el disco se pellizque o se produzca un retroceso. Las piezas de trabajo grandes tienden a combarse por su propio peso. Los apoyos deben colocarse debajo de la pieza de trabajo, cerca de la línea de corte y cerca del borde de la pieza de trabajo, a ambos lados del disco.

- f) **Sea muy cuidadoso cuando realice un "corte interno" en paredes existentes o en otras zonas ciegas.** El disco que sobresale puede cortar cañerías de gas o agua, cables eléctricos u objetos que pueden producir un retroceso.

Advertencias de seguridad específicas para operaciones de lijado

- a) **No utilice papel para disco de lijar con sobreespesor excesivo. Siga las recomendaciones del fabricante al seleccionar el papel de lija.** Los papeles de lija más grandes que sobrepasan la almohadilla de lijado representan un peligro de laceración y pueden provocar el retroceso o que el disco se enganche o se rompa.

Advertencias de seguridad específicas para operaciones de cepillado con cepillo de alambre

- a) **Tenga en cuenta que las cerdas de alambre se desprenden del cepillo incluso durante el funcionamiento común. No sobrecargue los alambres al aplicar una carga excesiva al cepillo.** Las cerdas de alambre pueden penetrar fácilmente la ropa liviana y la piel.
- b) **Si se recomienda la utilización de un protector para el cepillado con cepillo de alambre, no permita ninguna interferencia entre el disco o cepillo de alambre y el protector.** El disco o cepillo de alambre puede expandir su diámetro debido a las fuerzas centrífuga y de trabajo.
- c) **El operador y otras personas que se encuentren a no más de 15,2 m (50 pies) de este producto en funcionamiento DEBEN usar lentes de seguridad con pantallas laterales de protección y una pantalla facial conforme con la norma ANSI Z87.1.**

Instrucción Adicional de Seguridad

ADVERTENCIA: Use **SIEMPRE** lentes de seguridad. Los anteojos de diario **NO SON** lentes de seguridad. Utilice además una cubrebocas o mascarilla antipolvo si la operación de corte genera demasiado polvo. **SIEMPRE LLEVE EQUIPO DE SEGURIDAD CERTIFICADO:**

- protección ocular ANSI Z87.1 (CAN/CSA Z94.3),
- protección auditiva ANSI S12.6 (S3.19),
- protección respiratoria NIOSH/OSHA/MSHA.

ADVERTENCIA: Algunas partículas de polvo generadas al lijar, serrar, esmerilar y taladrar con herramientas eléctricas, así como al realizar otras actividades de construcción, contienen químicos que

el Estado de California sabe que pueden producir cáncer, defectos congénitos u otras afecciones reproductivas. Ejemplos de estos químicos son:

- plomo de algunas pinturas en base a plomo,
- polvo de sílice proveniente de ladrillos y cemento y otros productos de albañilería, y
- arsénico y cromo provenientes de madera tratada químicamente.

Su riesgo de exposición a estos químicos varía, dependiendo de la frecuencia con la cual realiza usted este tipo de trabajo. Para reducir su exposición a estas sustancias químicas: trabaje en una zona bien ventilada y llevando equipos de seguridad aprobados, como mascarillas antipolvo especialmente diseñadas para filtrar partículas microscópicas.

- **Evite el contacto prolongado con polvo generado por el lijado, aserrado, pulido, taladrado y otras actividades de construcción. Vista ropas protectoras y lave las áreas de la piel expuestas con agua y jabón.** Si permite que el polvo se introduzca en la boca u ojos o quede sobre la piel, puede favorecer la absorción de productos químicos peligrosos.








ADVERTENCIA: La utilización de esta herramienta puede generar polvo o dispersarlo, lo que podría causar daños graves y permanentes al sistema respiratorio, así como otras lesiones. Siempre use protección respiratoria aprobada por NIOSH (Instituto Nacional de Seguridad y Salud en el Trabajo) u OSHA (Administración de Seguridad y Salud en el Trabajo) apropiada para la exposición al polvo. Dirija las partículas en dirección contraria a la cara y el cuerpo.

ADVERTENCIA: Siempre lleve la debida protección auditiva personal en conformidad con ANSI S12.6 (S3.19) durante el uso de esta herramienta. Bajo algunas condiciones y duraciones de uso, el ruido producido por este producto puede contribuir a la pérdida auditiva.

ATENCIÓN: Cuando no esté en uso, guarde la herramienta apoyada en un costado sobre una superficie estable, donde no interrumpa el paso o provoque una caída. Algunas herramientas con paquetes de baterías de gran tamaño pueden colocarse paradas sobre el paquete de baterías, pero pueden caerse fácilmente.

La etiqueta de su herramienta puede incluir los siguientes símbolos. A continuación se indican los símbolos y sus definiciones:

| | | | |
|----------------|----------------------------------|------------------|-------------------------------|
| V | voltios | RPM | revoluciones por minuto |
| Hz | hertz | sfpm | pies de superficie por minuto |
| min | minutos | SPM | pasadas por minuto |
| ⎓ or DC | direct current | A | amperios |
| Ⓢ | Construcción de Clase I (tierra) | W | watios |
| ... /min | por minuto | ~ or AC | corriente alterna |
| BPM | golpes por minuto | ⎓ or AC/DC | corriente alterna o directa |
| IPM | impactos por minuto | | |

| | | | |
|---|--|---|---------------------------------|
|  | Construcción de Clase II (doble aislamiento) |  | radiación visible |
| n_0 | velocidad sin carga |  | protección respiratoria |
| n | velocidad nominal |  | protección ocular |
|  | terminal de conexión a tierra |  | protección auditiva |
|  | símbolo de advertencia de seguridad |  | lea toda la documentación |


BATERÍAS Y CARGADORES

La batería no viene completamente cargada de fábrica. Antes de utilizar la batería y el cargador, lea las siguientes instrucciones de seguridad y luego siga los procedimientos de carga indicados. Cuando pida baterías de repuesto, no olvide indicar el número de catálogo y el voltaje.

Su herramienta utiliza un cargador DeWALT. Lea todas las instrucciones de seguridad antes de usar el cargador. Consulte la tabla al final de este manual para información sobre compatibilidad entre cargadores y baterías.

LEA TODAS LAS INSTRUCCIONES


Instrucciones de Seguridad Importantes Para Todas las Unidades de Batería


 **ADVERTENCIA:** Lea todas las advertencias de seguridad y todas las instrucciones para la batería, el cargador y la herramienta eléctrica. No seguir las advertencias y las instrucciones puede provocar una descarga eléctrica, un incendio y/o lesiones graves.

- **No cargue o use la unidad de batería en atmósferas explosivas, como en presencia de líquidos, gases o polvos inflamables.** Puede que al insertar o sacar la unidad de batería del cargador se inflamen el polvo o los gases.
- **NUNCA fuerce la unidad de batería para que entre en el cargador. NO modifique la unidad de batería en ninguna forma para que entre en un cargador no compatible, pues puede producir una ruptura en la unidad de batería y causar lesiones corporales graves.** Consulte la tabla al final de este manual para ver la compatibilidad entre baterías y cargadores.
- Cargue las unidades de batería sólo en los cargadores designados por DeWALT.
- **NO salpique con ni sumerja en agua u otros líquidos.**
- **No guarde ni use la herramienta y unidad de batería en lugares donde la temperatura pueda alcanzar o superar los 40 °C (104 °F), tales como cobertizos o construcciones de metal durante el verano.** Almacene las unidades de batería en lugares frescos y secos para maximizar su vida útil.


NOTA: No almacene las unidades de batería en la herramienta con el interruptor de gatillo en posición encendida fija. Nunca use cinta adhesiva para mantener el interruptor de gatillo en posición ENCENDIDA.

- **No incinere la unidad de batería, aunque esté completamente dañada o descargada. La unidad de batería puede explotar si se quema.** Cuando se queman unidades de batería de iones de litio, se producen gases y materiales tóxicos.
- **Si el contenido de la batería entra en contacto con la piel, lave el área de inmediato con agua y un jabón suave.** Si el líquido de la batería entra en contacto con sus ojos, enjuéguelos con agua y los ojos abiertos por 15 minutos o hasta que cese la irritación. Si se requiere de asistencia médica, el electrolito de la batería está compuesto por una mezcla de carbonatos orgánicos líquidos y sales de litio.
- **El contenido de los elementos abiertos de la batería puede causar irritación en el tracto respiratorio.** Salga al aire fresco. Si los síntomas persisten, busque asistencia médica.

 **ADVERTENCIA:** Peligro de quemaduras. El líquido de la batería puede ser inflamable si se expone a chispas o llamas.

 **ADVERTENCIA:** Peligro de incendio. Nunca intente abrir la unidad de batería por ningún motivo. Si la caja exterior de la unidad de batería se triza o daña, no la introduzca en el cargador. No triture, deje caer o dañe la unidad de batería. No use una unidad de batería o un cargador que haya sido golpeado, dejado caer, atropellado o dañado en cualquier forma (por ejemplo, perforado por un clavo, golpeado con un martillo, pisado). Lleve sus unidades de batería dañadas al centro de servicio para que sean recicladas.

Transporte

 **ADVERTENCIA:** Peligro de incendio. No guarde o transporte la batería de forma que los terminales expuestos de la misma puedan estar en contacto con objetos metálicos. Por ejemplo, no ponga la batería en delantales, bolsillos, cajas de herramientas, estuches de productos, cajones, etc., junto con clavos, tornillos, y llaves, etc. sueltos. **El transporte de baterías puede causar incendios si sus terminales inadvertidamente entran en contacto con materiales conductores como llaves, monedas, herramientas manuales y otros por el estilo.** El Reglamento sobre Materiales Peligrosos (HMR) del Departamento de Transporte de EE.UU. prohíbe transportar baterías comercialmente o en aviones en el equipaje de mano A MENOS que estén debidamente protegidas contra cortocircuitos. Por lo tanto, cuando transporte baterías individuales, asegúrese de que sus terminales estén protegidos y debidamente aislados de los materiales que pudieran entrar en contacto con ellos y provocar un cortocircuito.

TRANSPORTE DE LA BATERÍA FLEXVOLT™ DE DeWALT

La batería FLEXVOLT™ de DeWALT tiene dos modalidades: **Uso y transporte.**

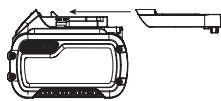
Modalidad de uso: Cuando la batería FLEXVOLT™ está independiente o está en un producto DeWALT de 20 V Máx*

ESPAÑOL

funcionará como una batería de 20 V Máx*. Cuando la batería FLEXVOLT™ está en un producto de 60 V Máx* o 120 V Máx* (dos baterías de 60 V Máx*), funcionará como una batería de 60V Máx*.

Modalidad de transporte:

Cuando la batería FLEXVOLT™ tiene puesta la tapa, la batería está en modalidad de transporte.



Cadenas de celdas están desconectadas eléctricamente dentro de la unidad de batería, lo que resulta en tres baterías con una capacidad nominal de vatios hora (Wh) inferior comparada con una batería con una capacidad nominal de vatios hora superior. Esta mayor cantidad de tres baterías con una capacidad nominal de vatios-hora menor puede hacer que la unidad de batería quede exenta de ciertos reglamentos de transporte que se imponen a las baterías con mayor capacidad nominal de vatios-hora.

La etiqueta en la batería indica dos capacidades nominales de vatios-hora (ver el ejemplo). Dependiendo de cómo se transporta la batería, debe usarse la capacidad nominal vatios-hora apropiada para determinar los requisitos de transporte aplicables. Si se utiliza la tapa de transporte, la unidad de batería será considerada tres baterías con la capacidad nominal de vatios-hora indicada para «Transporte». Si se transporta sin la tapa o en una herramienta, la unidad de batería será considerada una batería con la capacidad nominal de vatios-hora indicada al lado de «Uso».

Ejemplo de Marcado en Etiqueta de Uso y Transporte

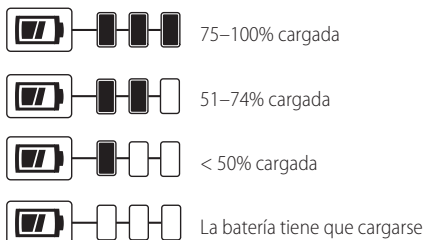
USE: 120 Wh Shipping: 3 x 40 Wh

Por ejemplo, la capacidad nominal de Wh de Transporte puede indicar 3 x 40 Wh, lo que significa 3 baterías de 40 vatios-hora cada una. La capacidad nominal de Wh de Uso puede indicar 120 Wh (se implica 1 batería).

Unidades de Batería con Indicador de Carga (Fig. B)

Algunas unidades de batería DeWALT incluyen un indicador de carga que consiste de tres luces LED verdes que indican el nivel de carga que queda en la unidad de batería.

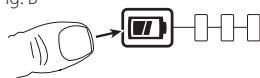
El indicador de carga es una indicación de niveles aproximados de carga que quedan en la batería según los indicadores siguientes:



Para activar el indicador de carga, presione y sostenga el botón del indicador. Se iluminará una combinación de las tres luces LED verdes, que indicará el nivel de carga que queda. Cuando el nivel de carga está por debajo

del nivel útil, el indicador no se iluminará, y la batería deberá recargarse.

Fig. B



NOTA: El indicador de carga es sólo eso: un indicador de la carga de la unidad de batería. No indica el nivel de funcionalidad de la herramienta y puede variar de acuerdo a las piezas del producto, la temperatura y la aplicación que el usuario le dé.

Para mayor información sobre unidades de batería con indicadores de carga, por favor llame al 1-800-4-DeWALT (1-800-433-9258) o visite nuestro sitio Web: www.dewalt.com.

El sello RBRC®

El sello RBRC® (Rechargeable Battery Recycling Corporation) en las baterías (unidades de batería) de níquel cadmio, níquel e hidruro metálico o de iones de litio indica que el costo de reciclaje de estas baterías (o unidades de batería) al llegar al final de su vida de servicio ya ha sido pagado por DeWALT. En algunas áreas, es ilegal depositar baterías de níquel cadmio, níquel e hidruro metálico o de iones de litio gastadas en la basura o la corriente de residuos sólidos urbanos; el programa Call 2 Recycle® proporciona una alternativa ecológica.



Call 2 Recycle, Inc., en cooperación con DeWALT y otros usuarios de baterías, han establecido programas en los Estados Unidos y Canadá para facilitar la recolección de baterías de níquel cadmio, níquel e hidruro metálico o de iones de litio gastadas. Al llevar sus baterías de níquel cadmio, níquel e hidruro metálico y de iones de litio gastadas a un centro de servicio autorizado por DeWALT o al minorista local para que sean recicladas, ayuda a proteger el medio ambiente y a conservar recursos naturales. También puede comunicarse con el centro de reciclaje de su localidad para mayor información sobre dónde llevar sus baterías gastadas.

RBRC® es una marca comercial registrada de Call 2 Recycle, Inc.

Instrucciones Importantes de Seguridad Para Todos los Cargadores de Baterías

⚠ ADVERTENCIA: Lea todas las advertencias de seguridad y todas las instrucciones para la batería, el cargador y la herramienta eléctrica. No seguir las advertencias y las instrucciones puede provocar una descarga eléctrica, un incendio y/o lesiones graves.

- **NO intente cargar la unidad de batería con otros cargadores que no sean los descritos en este manual.** El cargador y la unidad de batería fueron específicamente diseñados para trabajar en conjunto.
- **Estos cargadores no fueron diseñados para ser utilizados para más que cargar las baterías**

recargables DeWALT. Cualquier otro uso puede producir riesgo de incendios, descargas eléctricas o electrocución.

- **No exponga el cargador a la lluvia o a la nieve.**
- **Tire del enchufe y no del cable cuando desconecte el cargador.** De esta forma se reduce el riesgo de daño al enchufe y cable.
- **Asegúrese de que el cable no sea ubicado de manera que podría ser pisado, causar que alguien tropiece con él o ser expuesto a otro tipo de daños y desgastes.**
- **No use un alargador a menos que sea absolutamente necesario.** El uso de un alargador incorrecto podría producir riesgo de incendios, descargas eléctricas o electrocución.
- **Cuando opere un cargador al exterior, hágalo siempre en un lugar seco y use un alargador apropiado para uso al exterior.** El uso de un alargador apropiado para uso al exterior reduce el riesgo de descarga eléctrica.
- **Los hilos del alargador deben ser de un calibre apropiado (AWG o American Wire Gauge) para su seguridad.** Mientras menor sea el calibre del hilo, mayor la capacidad del cable. Es decir, un hilo calibre 16 tiene mayor capacidad que uno de 18. Un cable de un calibre insuficiente causará una caída en la tensión de la línea dando por resultado una pérdida de energía y sobrecalentamiento. Cuando se utilice más de un alargador para completar el largo total, asegúrese que los hilos de cada alargador tengan el calibre mínimo. La tabla siguiente muestra el tamaño correcto a utilizar, dependiendo de la longitud del cable y del amperaje nominal de la placa de identificación. Si tiene dudas sobre cuál calibre usar, use un calibre mayor. Cuanto menor sea el número del calibre, más resistente será el cable.

Calibre mínimo de conjuntos de cables

| Voltios | Longitud total del cable en pies (metros) | | | | | |
|------------------|---|------------|------------|-----------------|------------|--|
| | 120 V | 25 (7,6) | 50 (15,2) | 100 (30,5) | 150 (45,7) | |
| 240 V | 50 (15,2) | 100 (30,5) | 200 (61,0) | 300 (91,4) | | |
| Amperaje nominal | | AWG | | | | |
| Más de | Más de | | | | | |
| 0 | 6 | 18 | 16 | 16 | 14 | |
| 6 | 10 | 18 | 16 | 14 | 12 | |
| 10 | 12 | 16 | 16 | 14 | 12 | |
| 12 | 16 | 14 | 12 | Not Recommended | | |

- **No coloque ningún objeto encima del cargador ni coloque a este sobre una superficie blanda que pudiera bloquear las ranuras de ventilación y resultar en un calor interno excesivo.** Coloque el cargador en un lugar alejado de cualquier fuente de calor. El cargador se ventila a través de las ranuras que se encuentran en la parte superior e inferior de la caja protectora.
- **No opere el cargador si su cable o enchufe están dañados.**

- **No opere el cargador si ha recibido un golpe agudo, si se ha caído o si ha sido dañado de alguna otra forma.** Llévelo a un centro de servicio autorizado.
- **No desarme el cargador; llévelo a un centro de servicio autorizado cuando deba ser reparado.** Si es reensamblado incorrectamente, puede causar descargas eléctricas, electrocución o incendios.
- **Desenchufe el cargador antes de intentar limpiarlo.** Esto reducirá el riesgo de descargas eléctricas. El retirar el paquete de baterías no reducirá este riesgo.
- **NUNCA** intente conectar 2 cargadores entre sí.
- **El cargador está diseñado para operar con una corriente eléctrica estándar residencial de 120 V. No intente usarlo con ningún otro voltaje.** Esto no aplica al cargador vehicular.



ADVERTENCIA: Peligro de descarga eléctrica. No permita que ningún líquido se introduzca en el cargador. Puede producir descargas eléctricas.



ADVERTENCIA: Peligro de quemaduras. No sumerja la unidad de batería en líquido de ningún tipo ni permita que se introduzca ningún tipo de líquido a la unidad de batería. Nunca intente abrir la unidad de batería por ningún motivo. Si la caja plástica de la unidad de batería se triza o rompe, llévela a un centro de servicio para su reciclaje



ATENCIÓN: Peligro de quemaduras. Para reducir el riesgo de lesiones, sólo cargue unidades de batería recargables marca DeWALT. Otros tipos de batería podrían sobrecalentarse y reventar lo que podría resultar en lesiones corporales y daños a su propiedad.

AVISO: Bajo ciertas condiciones, cuando el cargador está enchufado a una toma de corriente, el cargador puede hacer cortocircuito si entra en contacto con algún material ajeno. Los materiales ajenos de naturaleza conductora, como el polvo de esmerilado, las placas de metal, la lana de acero, el papel de aluminio y otros, o cualquier acumulación de partículas metálicas deberían mantenerse alejados de las cavidades del cargador. Desenchufe siempre el cargador cuando no haya una unidad de batería en su cavidad. Desenchufe el cargador antes de intentar limpiarlo.

Certificaciones inalámbricas e información de seguridad

- Este dispositivo cumple con CAN ICES-3(B)/NMB-3(B).
- Este dispositivo cumple con la Sección 15 de las normas de la Comisión Federal de Comunicaciones (FCC) y las normas RSS de exención de licencia del Ministerio de Industria de Canadá. Su funcionamiento está sujeto a las dos siguientes condiciones:
 - Este dispositivo no puede causar interferencia dañina, y
 - Este dispositivo debe aceptar cualquier interferencia que reciba, incluyendo aquella interferencia que podría producir un funcionamiento no deseado.

Este equipo ha sido probado y se ha demostrado que cumple con los límites establecidos para dispositivos digitales de Clase B, de conformidad con la Sección 15 de las Normas de

ESPAÑOL

la FCC. Estos límites están diseñados para ofrecer un nivel razonable de protección contra la interferencia dañina en instalaciones residenciales. Este equipo genera, utiliza y puede emitir energía de radiofrecuencia y, si no se instala y utiliza de acuerdo con las instrucciones proporcionadas, puede producir una interferencia dañina a la comunicación radial. Sin embargo, no existen garantías de que no ocurra interferencia alguna en una instalación en particular. Si este equipo produce interferencia dañina a la recepción radial o de televisión, lo que puede determinarse al apagar y volver a encender el equipo, se pide al usuario que corrija la interferencia implementando una o más de las siguientes medidas:

- Cambie la orientación o el lugar donde esté ubicada la antena receptora.
- Aumente el espacio que separa al equipo del receptor.
- Conecte el equipo a una toma de corriente que esté en un circuito diferente al circuito al que esté conectado el receptor.
- Consulte con el distribuidor o con un técnico de radio y televisión con experiencia que pueda ayudarle.
- Los cambios o modificaciones que no estén aprobados expresamente por el fabricante podrían anular la autorización del usuario para utilizar el dispositivo. Este aparato digital de la Clase B cumple con la norma canadiense ICES-003.
- Según el reglamento del Ministerio de Industria de Canadá, este transmisor de radio puede funcionar solamente con una antena del tipo y de la máxima (o menor) ganancia aprobados para el transmisor por el Ministerio de Industria de Canadá. Para reducir la posible interferencia radioeléctrica a otros usuarios, el tipo de antena y su ganancia deberían elegirse de manera que la potencia isotrópica radiada equivalente (p.i.r.e.) no sea mayor que la necesaria para una comunicación satisfactoria.
- Para cumplir con los límites de exposición a radiación de radiofrecuencia establecidos por la FCC y el Ministerio de Industria de Canadá para la población general, la antena utilizada para este dispositivo no debe ser coubicada ni funcionar junto con cualquier otra antena o transmisor.

Para productos con Bluetooth®

- Al viajar en avión, asegúrese de cumplir con las restricciones de las líneas aéreas acerca del uso de dispositivos electrónicos personales y Bluetooth®.
- La función de alerta de fuera de alcance ha sido diseñada para servir de ayuda para evitar la pérdida o robo de productos. No es un sistema de seguridad.
- El rango de conectividad es de hasta 30.5 m (100 pies) dependiendo del entorno y la ubicación.
- Las señales de radiofrecuencia de onda corta de un dispositivo Bluetooth® pueden afectar el funcionamiento de otros dispositivos médicos y electrónicos (como marcapasos o audífonos).

NOTA: La marca denominativa y los logotipos de Bluetooth® son marcas registradas propiedad de Bluetooth®, SIG, Inc. y todo uso de dichas marcas por DeWALT se hace bajo

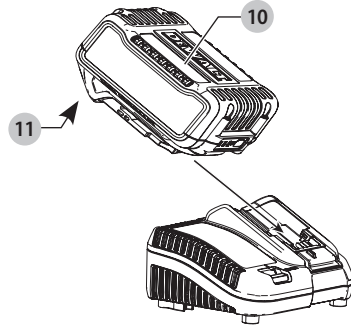
licencia. Otras marca y nombres comerciales son de sus respectivos propietarios.

Este producto cumple con estas normas cuando se pone en funcionamiento con un alargador de 1.82 m (6 pies) o más corto.

Carga de una batería (Fig. C)

1. Enchufe el cargador en una toma de corriente apropiada antes de introducir la batería.

Fig. C



2. Inserte la batería **10** en el cargador, comprobando esté bien fija. La luz roja (de carga) parpadeará continuamente para indicar que se ha iniciado el proceso de carga.
3. La luz roja se quedará ENCENDIDA continuamente cuando se haya completado el proceso de carga. La batería estará entonces completamente cargada y podrá ser utilizada de inmediato o dejarse en el cargador. Para sacar la batería del cargador, presione el botón de liberación **11** de la batería.

NOTA: Para asegurar el máximo rendimiento y vida útil de las baterías de iones de litio, cargue la batería completamente antes de usarla por primera vez.

Funcionamiento del cargador

Consulte los indicadores a continuación relativos al estado de carga de la batería.

DCB107, DCB112, DCB113, DCB115, DCB118, DCB132



***DCB107, DCB112, DCB113, DCB115, DCB118,**

DCB132: La luz roja continuará parpadeando, pero una luz indicadora amarilla estará iluminada durante esta operación. Una vez que la batería haya llegado a una temperatura apropiada, la luz amarilla se apagará y el cargador continuará con el procedimiento de carga.

El cargador no cargará una batería defectuosa. El cargador indicará que la unidad de batería es defectuosa al no iluminarse o al indicar que existe un problema con la unidad o el cargador.

NOTA: Esto también puede significar que hay un problema con el cargador.

Si el cargador indica un problema, lleve el cargador y la batería a un centro de servicio autorizado para que sean sometidos a pruebas.

Retraso por batería caliente/fría

Cuando el cargador detecta que una batería está demasiado caliente o demasiado fría, inicia automáticamente un Retraso por batería caliente/fría y suspende la carga hasta que la batería alcanza una temperatura adecuada. En ese momento, el cargador inicia automáticamente el modo de carga de la batería. Esta función garantiza la máxima duración de la batería.

Una batería fría se carga más lentamente que una batería caliente. La batería se cargará a ese ritmo más lento durante todo el ciclo de carga y no volverá a cargarse a la velocidad de carga máxima incluso si la batería se calienta.

El cargador DCB118 está equipado con un ventilador interno diseñado para enfriar la batería. El ventilador se encenderá automáticamente cuando la batería tenga que enfriarse.

No opere nunca el cargador si el ventilador no funciona adecuadamente o si las ranuras de ventilación están obstruidas. No permita que entren objetos extraños dentro del cargador.

Sistema de protección electrónica

Las herramientas con baterías de iones de litio están diseñadas con un Sistema de protección electrónico que protegerá la batería contra la sobrecarga, el sobrecalentamiento o la descarga completa.

La herramienta se apagará automáticamente si el Sistema de protección electrónico se activa. Si esto ocurre, coloque la batería de iones de litio en el cargador hasta que esté totalmente cargada.

Montaje en la pared

DCB107, DCB112, DCB113, DCB115, DCB118, DCB132:

Estos cargadores están diseñados para montarse en la pared o colocarse en posición vertical sobre una mesa o superficie de trabajo. Si lo monta en la pared, coloque el cargador al alcance de una toma de corriente eléctrica y alejado de las esquinas u otras obstrucciones que puedan impedir el flujo de aire. Utilice la parte de atrás del cargador como plantilla para la ubicación de los tornillos de montaje en la pared. Monte el cargador firmemente utilizando tornillos para muro seco (comprados por separado) de un mínimo de 25,4 mm (1") de largo, con una cabeza de un diámetro de 7-9 mm (0,28-0,35"), atomillados en madera hasta una profundidad óptima dejando el tornillo expuesto aproximadamente 5,5 mm (7/32"). Alinee las ranuras en la parte trasera del cargador con los tornillos expuestos e introdúzcalos totalmente en las ranuras.

Instrucciones de limpieza del cargador



ADVERTENCIA: *Riesgo de descarga eléctrica. Desconecte el cargador del tomacorriente de CA antes de limpiarlo. Para limpiar la suciedad y grasa del exterior del cargador puede usarse un paño o cepillo suave no metálico. No use agua ni soluciones limpiadoras.*

Notas importantes sobre la carga

- Se puede obtener una mayor duración y un mejor rendimiento si la unidad de batería se carga a una temperatura ambiente de 18–24 °C (65–75 °F). NO cargue la unidad de batería a una temperatura ambiental inferior a +4.5 °C (+40 °F) o superior a +40 °C (+104 °F). Esto es importante y evitará causar daños graves a la batería.
- Puede que el cargador y la unidad de batería se calienten ligeramente durante el proceso de carga. Esto es normal y no representa ningún problema. Para facilitar el enfriamiento de la unidad de batería después del uso, evite colocar el cargador o la unidad de batería en un lugar cálido, como un cobertizo metálico o un remolque sin aislamiento térmico.
- Si la unidad de batería no se carga correctamente:
 - Verifique el funcionamiento de la toma enchufando una lámpara u otro aparato;
 - Revise que la toma de corriente no esté conectada a un interruptor de luz que corte la corriente cuando se corte la luz;
 - Mueva el cargador y la unidad de batería a un lugar donde la temperatura ambiental sea aproximadamente 18–24 °C (65–75 °F);
 - Si el problema de carga continúa, lleve la herramienta, unidad de batería y el cargador a su centro de servicio local.
- La unidad de batería debería ser recargada cuando no sea capaz de producir suficiente potencia para trabajos que eran fácilmente realizados antes. NO CONTINÚE usándola bajo estas circunstancias. Siga el procedimiento de carga. También puede cargar una unidad de batería que haya sido usada parcialmente cuando lo desee, sin dañarla.
- Los materiales ajenos conductores por naturaleza, tales como, pero sin limitarse a, el polvo del esmerilado, las virutas metálicas, la lana de acero, el papel de aluminio o cualquier acumulación de partículas metálicas deberían mantenerse alejados de las cavidades del cargador. Desenchufe siempre el cargador de la toma de corriente cuando no haya una unidad de batería en su cavidad. Desenchufe el cargador antes de intentar limpiarlo.
- No congele ni sumerja el cargador en agua o cualquier otro líquido.

Recomendaciones de almacenamiento

- El mejor lugar de almacenamiento es uno que sea fresco y seco, lejos de la luz solar directa y del exceso de calor o frío.
- Para resultados óptimos durante tiempos prolongados de almacenamiento, se recomienda almacenar la unidad de batería completamente cargada en un lugar fresco y seco fuera del cargador.

NOTA: Las unidades de batería no deberían almacenarse completamente descargadas. La unidad de batería deberá recargarse antes de ser usada.

GUARDE ESTAS INSTRUCCIONES PARA VOLVER A CONSULTAR EN EL FUTURO

COMPONENTES (FIG. A)

⚠️ ADVERTENCIA: Nunca modifique la herramienta eléctrica, ni tampoco ninguna de sus piezas. Podría producir lesiones corporales o daños.

Consulte la Figura A al principio de este manual para obtener una lista completa de los componentes.

USO DEBIDO

Su esmeriladora angular pequeña para trabajos pesados está diseñada para aplicaciones profesionales de esmerilado, lijado, cepillado metálico y corte en diversos lugares de trabajo (por ejemplo, sitios de construcción).

NO utilice la herramienta en condiciones de humedad o en presencia de líquidos o gases inflamables.

Su esmeriladora angular pequeña para trabajos pesados es una herramienta eléctrica profesional. **NO** permita que los niños toquen la herramienta. Si el operador no tiene experiencia operando esta herramienta, su uso deberá ser supervisado.

Características

E-Switch Protection™

El interruptor de paleta ON/OFF (encendido/apagado) tiene una función de liberación sin voltaje. En el caso de un paro inesperado, el interruptor de paleta necesitará liberarse y presionarse para reiniciar la herramienta.

E-Clutch™

Esta unidad está equipada con un E-Clutch™ (Embrague electrónico), que en el caso de una carga alta, la unidad se apagará para reducir la torsión de reacción al usuario. El interruptor de paleta necesitará liberarse y presionarse para reiniciar la herramienta.

Kickback Brake™

Cuando se detecte un evento de atrapamiento, ahogamiento, o atasco, el freno electrónico se activa con la fuerza máxima para detener rápidamente la rueda, reducir el movimiento de la esmeriladora, y apagarla. El interruptor de paleta necesitará liberarse y presionarse para reiniciar la herramienta.

Protección de sobrecarga Power-OFF™

El suministro eléctrico del motor se reducirá en caso de sobrecarga del motor. Con una sobrecarga del motor continuada, la herramienta se apagará. El interruptor de paleta se necesitará liberar y presionar para reiniciar la herramienta. Si se producen cortes por sobrecarga continuos, aplique menos fuerza/peso sobre la herramienta hasta que ésta funcione sin la activación de sobrecarga.

Arranque suave electrónico

Esta característica limita el impulso inicial de arranque, permitiendo que la velocidad aumente gradualmente en un período de un segundo.

MONTAJE Y AJUSTES

⚠️ ADVERTENCIA: Para reducir el riesgo de lesiones personales graves, apague la herramienta y retire el paquete de baterías antes de realizar ajustes o de retirar/instalar dispositivos o accesorios. Un arranque accidental podría causar lesiones.

Fijación del mango lateral (Fig. D)

⚠️ ADVERTENCIA: Antes de utilizar la herramienta, compruebe que el mango esté bien apretado.

Atornille bien el mango lateral **5** en uno de los orificios a cada lado de la caja de engranajes. Se debe utilizar siempre el mango lateral para mantener el control de la herramienta en todo momento.

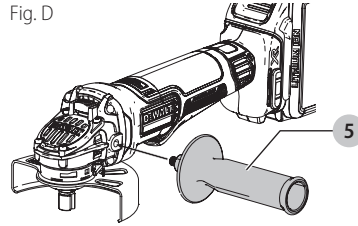


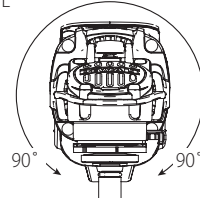
Fig. D

Rotación de la caja de engranajes (Fig. E)

Para mejorar la comodidad del usuario, la caja de engranajes girará 90° para las operaciones de corte.

1. Saque los tornillos de las cuatro esquinas que unen la caja de engranajes a la carcasa del motor.
2. Sin separar la caja de engranajes de la carcasa del motor, gire la cabeza de la caja de engranajes hasta la posición deseada.

Fig. E



NOTA: Si la caja de engranajes y la carcasa del motor se separan más de 3.17 mm (1/8 de pulg.), la herramienta debe ser reparada y reensamblada por un centro de servicio DeWALT. El no llevar la herramienta para que sea reparada puede ocasionar fallas en el motor y los cojinetes.

3. Vuelva a instalar los tornillos para unir la caja de engranajes a la carcasa del motor. Apriete los tornillos hasta un par de 12.5 pulg.-lbs. Si se aprietan demasiado, la rosca puede desgastarse.

Protectores

⚠️ ATENCIÓN: Deben usarse protectores con todos los discos de esmerilar, discos de corte, discos de aleta para lijado, cepillos y discos de alambre. La herramienta puede usarse sin un protector solamente cuando se lije con discos para lijado convencionales.

Consulte la Figura A para ver los protectores suministrados con la unidad. Algunas aplicaciones pueden requerir la compra del protector correcto de su distribuidor local o centro de servicio autorizado.

NOTA: El esmerilado y corte de bordes puede realizarse con discos tipo 27 diseñados y especificados para este propósito; los discos de un grosor de 6.35 mm están diseñados para el esmerilado de superficies mientras que debe examinarse la etiqueta del fabricante de los discos tipo 27 más finos para ver si pueden ser utilizados para el esmerilado de superficies o solamente para el esmerilado/corte de bordes. Debe utilizarse un protector tipo 1 para cualquier disco cuando el esmerilado de superficies esté prohibido. Los cortes pueden realizarse también utilizando un disco Tipo 41 y un protector Tipo 1.

NOTA: Consulte la **Tabla de accesorios** para seleccionar la combinación apropiada de protector/accesorio.

Ajuste y montaje del protector (Fig. F)

⚠️ ADVERTENCIA: Para reducir el riesgo de lesiones personales graves, apague la herramienta y retire el paquete de baterías antes de realizar ajustes o de retirar/installar dispositivos o accesorios. Un arranque accidental podría causar lesiones.

⚠️ ATENCIÓN: ANTES de operar la herramienta, identifique en qué opción de ajuste está fijada su herramienta.

Opciones de ajuste

Para el ajuste del protector, la palanca de liberación del protector **9** engrana uno de los orificios de alineamiento **14** en el collarín del protector utilizando una función de trinquete. Su esmeriladora ofrece dos opciones para este ajuste.

One-touch™: En esta posición la parte que engrana está inclinada y pasará por encima del siguiente orificio de alineamiento cuando el protector esté rotado en sentido horario (con el eje mirando al usuario) pero se autobloquea en sentido antihorario.

Montaje del protector (Fig. F)

⚠️ ATENCIÓN: Antes de montar el protector, asegúrese de que el tornillo, la palanca y el resorte estén bien puestos antes de montar el protector.

1. Con el eje mirando al operador, presione y mantenga presionada la palanca de liberación del protector **9**.
2. Alinee las orejetas **12** del protector con las ranuras **13** de la cubierta de la caja de engranajes.
3. Empuje hacia abajo el protector hasta que sus lengüetas engranen y giren en la ranura de la cubierta de la caja de engranajes. Suelte la palanca de liberación del protector.
4. Para colocar el protector, presione y mantenga presionada la palanca de liberación del protector **9** Gire el protector en sentido horario o antihorario hasta la posición de trabajo deseada.

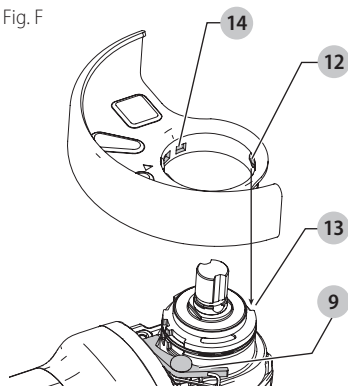
NOTA: El cuerpo del protector debe quedar colocado entre el eje y el operador para proveer la máxima protección al operador.

La palanca de liberación del protector debe encajar

en uno de los orificios de alineamiento **14** del collarín del protector. Así se garantiza que el protector esté bien instalado.

5. Para extraer el protector, siga los pasos 1 a 3 de estas instrucciones a la inversa

Fig. F



Bridas y discos

⚠️ ATENCIÓN: Apague y desenchufe la herramienta antes de realizar ajustes o de extraer o instalar accesorios.

Montaje de discos sin cubo (Fig. G)

⚠️ ADVERTENCIA: El no fijar adecuadamente las bridas y/o el disco podría ocasionar lesiones graves (o daño a la herramienta o el disco).

⚠️ ATENCIÓN: Las bridas incluidas deben usarse con discos de esmerilado tipo 27 con el centro hundido y discos de corte tipo 1/41. Consulte la **Tabla de accesorios** para obtener más información.

⚠️ ADVERTENCIA: Al usar discos de corte abrasivos o discos de corte revestidos de diamante es necesario un protector de disco de corte cerrado, con dos lados.

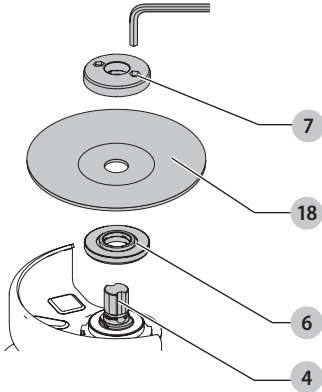
⚠️ ADVERTENCIA: El usar una brida o protector dañados o el no usar una brida y protector adecuados puede ocasionar lesiones debido a la rotura del disco y al contacto con el disco. Consulte la **Tabla de accesorios** para obtener más información.

1. Coloque la herramienta sobre una mesa, con la protección hacia arriba.
2. Instale la brida de respaldo **6** sobre el husillo **4** con el centro levantado (piloto) en su lugar hacia la rueda. Presione la brida de respaldo en su lugar.
3. Coloque la rueda **18** contra la brida de respaldo, centrando la rueda sobre el centro levantado (piloto) de la brida de respaldo.
4. Mientras presiona el botón de bloqueo del husillo y con las depresiones hexagonales viendo al lado contrario de la rueda, enrosque la brida de bloqueo **7** sobre el husillo de forma que las orejas se conecten con dos ranuras en el husillo.
5. Mientras presiona el botón de bloqueo del husillo, apriete la brida de bloqueo **7** a mano o con la llave incluida. (Sólo use una brida de bloqueo si está en

ESPAÑOL

condiciones perfectas.) Consulte la **Tabla de Accesorios** para ver los detalles de la brida.

6. Para retirar la rueda, invierta el procedimiento anterior. Fig. G



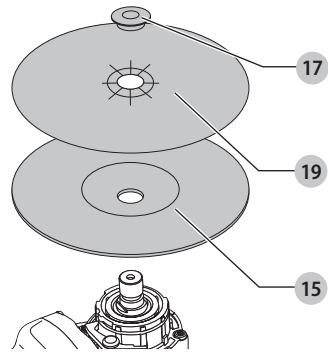
Montaje de las almohadillas de respaldo de lijado (Fig. A, H)

NOTA: No es necesario el uso de un protector con discos para lijado que utilizan almohadillas de respaldo, a menudo llamados discos de resina de fibra. Puesto que no se necesita un protector para estos accesorios, el protector puede ajustarse o no correctamente si se utiliza.

- ADVERTENCIA:** El no fijar adecuadamente la tuerca de fijación y/o la almohadilla podría ocasionar lesiones graves (o daño a la herramienta o el disco).
- ADVERTENCIA:** Debe volver a instalarse un protector adecuado para aplicaciones con disco de esmerilado, disco de corte, disco de lijado con aletas, cepillo de alambre o disco de alambre una vez terminadas las aplicaciones de lijado.

1. Coloque o enrosque adecuadamente la almohadilla de respaldo **15** en el eje.
2. Coloque el disco de lijado **19** en la almohadilla de respaldo **15**.
3. Presionando el botón del seguro del eje **3**, enrosque la tuerca de fijación de lijado **17** en el eje, colocando el cubo elevado de la tuerca de fijación en el centro del disco de lijado y la almohadilla de respaldo.
4. Apriete a mano la tuerca de fijación. Luego presione el botón del seguro del eje mientras gira el disco de lijado hasta que éste y la tuerca de fijación estén bien ajustados.
5. Para retirar el disco, agarre y gire la almohadilla de respaldo y la almohadilla de lijado mientras presiona el botón de seguro del eje.

Fig. H



Montaje y retiro de los discos con cubo (Fig. A)

Los discos con cubo se instalan directamente en el eje. La rosca del accesorio debe coincidir con la rosca del eje.

1. Saque la brida de respaldo jalándola de la herramienta.
2. Enrosque el disco en el eje **4** a mano.
3. Presione el botón de seguro del eje **3** y utilice una llave para apretar el cubo del disco.
4. Invierta el procedimiento anterior para retirar el disco.

AVISO: El no colocar bien el disco antes de encender la herramienta puede ocasionar daño a ésta o al disco.

Montaje de cepillos de copa de alambre y discos de alambre (Fig. A)

- ADVERTENCIA:** El no fijar adecuadamente el cepillo o el disco podría ocasionar lesiones graves (o daño a la herramienta o el disco).
- ATENCIÓN:** Para reducir el riesgo de lesiones corporales, use guantes de trabajo cuando maneje cepillos y discos de alambre. Pueden estar afilados.
- ATENCIÓN:** Para reducir el riesgo de daño a la herramienta, el disco o el cepillo no deben tocar el protector al montarse o durante su uso. Podría producirse un daño no detectable al accesorio, que ocasione la fragmentación de alambres del accesorio de disco o cepillo de copa.

Los cepillos de copa de alambre o los discos de alambre se instalan directamente en el eje roscado sin el uso de bridas. Utilice solamente los cepillos o discos de alambre suministrados con un cubo roscado. Estos accesorios pueden obtenerse por un costo adicional en su distribuidor local o centro de servicio autorizado.

1. Coloque la herramienta en una mesa con el protector hacia arriba.
2. Enrosque el disco en el eje a mano.
3. Presione el botón del seguro del eje **3** y utilice una llave en el cubo del disco o cepillo de alambre para ajustar el disco.
4. Para retirar el disco, invierta el procedimiento anterior.

AVISO: Para reducir el riesgo de daño a la herramienta, fije bien el cubo del disco antes de encender la herramienta.

Antes de usar la máquina

- Instale el protector y el disco o muela apropiada. No utilice discos o muelas excesivamente desgastados.
- Asegúrese que la brida de respaldo y la brida de bloqueo estén instaladas correctamente. Siga las instrucciones indicadas en la **Tabla de accesorios**.
- Compruebe que el disco o la muela giren en dirección de las flechas en el accesorio y la herramienta.
- No utilice un accesorio dañado. Antes de cada uso inspeccione el accesorio, como por ejemplo los discos abrasivos, para verificar si tienen muescas o grietas, la almohadilla de respaldo para verificar si tiene grietas o roturas o si está muy desgastada, el cepillo de alambre para comprobar si tiene alambres sueltos o agrietados. Si la herramienta o el accesorio se caen accidentalmente, revise que no estén dañados o, si es necesario, cambie el accesorio por uno que no esté dañado. Después de inspeccionar e instalar un accesorio, colóquense usted y las personas presentes alejados del plano del accesorio en movimiento y ponga la herramienta eléctrica en funcionamiento a la velocidad sin carga máxima durante un minuto. Si el accesorio está dañado, normalmente se terminará de romper durante este período de prueba.

OPERACIÓN

⚠ ADVERTENCIA: Para reducir el riesgo de lesiones personales graves, apague la herramienta y retire el paquete de baterías antes de realizar ajustes o de retirar/installar dispositivos o accesorios. Un arranque accidental podría causar lesiones.

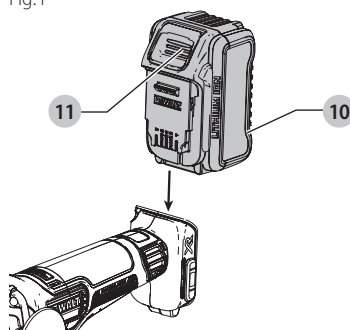
Cómo instalar y retirar la unidad de batería (Fig. I)

NOTA: Para mejores resultados, verifique que su unidad de batería esté completamente cargada.

Para instalar la unidad de batería **10** en el mango de la herramienta, alinee la unidad de batería con los rieles en el interior del mango de la herramienta y deslícela en el mango hasta que la unidad de batería quede firmemente insertada en la herramienta; verifique que ésta no se salga sola.

Para retirar la unidad de alimentación de la herramienta, presione los botones de liberación **11** y tire firmemente de la unidad de batería para sacarla del mango de la herramienta. Insértela en el cargador tal como se describe en la sección del cargador de este manual.

Fig. I



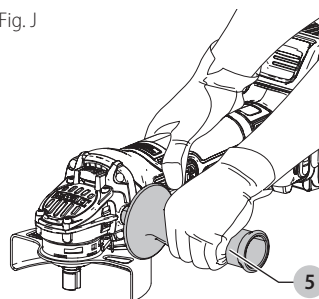
Posición adecuada de las manos (Fig. J)

⚠ ADVERTENCIA: Para reducir el riesgo de lesión personal grave, tenga **SIEMPRE** las manos en una posición adecuada como se muestra.

⚠ ADVERTENCIA: Para reducir el riesgo de lesión personal grave, sujete **SIEMPRE** bien en caso de que haya una reacción repentina.

Para tener una posición adecuada de las manos, ponga una mano en el mango lateral **5** y la otra en el cuerpo de la herramienta, como se muestra en la Figura J.

Fig. J



Interruptor de paleta (Fig. A)

⚠ ATENCIÓN: Sujete el mango lateral y el cuerpo de la herramienta firmemente para mantener el control de la herramienta durante la puesta en marcha y durante el uso de la misma y hasta que el disco o accesorio deje de rotar. Asegúrese de que el disco se haya parado por completo antes de tumbar la herramienta.

⚠ ATENCIÓN: Antes de insertar la batería, presione y libere el interruptor de paleta **1** una vez para asegurarse que el interruptor esté apagado. Presione y libere el interruptor de paleta como se describe a continuación después de cualquier interrupción en el suministro de energía a la herramienta, tal como un evento de sobrecarga del motor, atrapamiento, ahogamiento, o atascamiento, o cualquier otro paro inesperado de la herramienta.

NOTA: Para reducir el movimiento inesperado de la herramienta, no encienda o apague la herramienta mientras esté en condiciones de carga. Deje que la esmeriladora alcance la velocidad máxima antes de tocar la superficie

ESPAÑOL

de trabajo. Levante la herramienta de la superficie antes de apagarla. Permita que la herramienta deje de rotar antes de soltarla.

1. Para encender la herramienta, empuje la palanca de bloqueo en apagado 2 hacia la parte trasera de la herramienta, luego apriete el interruptor de paleta 1. La herramienta funcionará mientras el interruptor esté apretado.
2. Apague la herramienta soltando el interruptor de paleta.

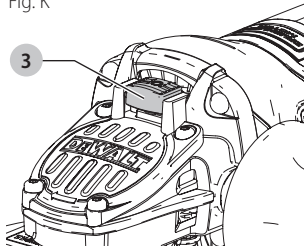
Botón de bloqueo de husillo (Fig. K)

El botón de bloqueo del husillo 3 se proporciona para prevenir que el husillo gire cuando instale o retire las ruedas. Opere el bloqueo de husillo únicamente cuando la herramienta esté apagada, cuando se haya retirado la batería, y se haya detenido por completo.

AVISO: Para reducir el riesgo de daño a la herramienta, no active el botón de bloqueo del husillo mientras la herramienta esté en funcionamiento. Se ocasionará daño a la herramienta y el accesorio puesto puede salirse resultando posiblemente en una lesión.

Para activar el seguro, apriete el botón de bloqueo del husillo 3 y gire el eje hasta que no pueda hacerlo girar más.

Fig. K



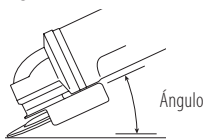
Esmerilado, lijado y cepillado metálico de superficies (Fig. L)

¡ATENCIÓN! Utilice siempre un protector correcto según las instrucciones de este manual.

Para realizar un trabajo en la superficie de una pieza de trabajo:

1. Permita que la herramienta alcance la velocidad máxima antes de ponerla en contacto con la superficie de trabajo.
2. Aplique una presión mínima a la superficie de trabajo, permitiendo a la herramienta operar a alta velocidad. La velocidad de eliminación de material es mayor cuando la herramienta opera a velocidad alta.

Fig. L



3. Maintain an appropriate angle between the tool and work surface. Refer to the chart according to particular function.

| Función | Ángulo |
|------------------------------------|---------|
| Esmerilado | 20°-30° |
| Lijado con disco de aletas | 5°-10° |
| Lijado con almohadilla de respaldo | 5°-15° |
| Cepillado metálico | 5°-10° |

4. Mantenga el contacto entre el borde del disco y la superficie de trabajo.

- Para operaciones de esmerilado, lijado con discos de aletas o cepillado metálico desplace la herramienta continuamente en línea recta para adelante y hacia atrás para evitar crear surcos en la superficie de trabajo.
- Si lija con una almohadilla de respaldo, desplace la herramienta constantemente en línea recta para no quemar ni rayar la superficie de trabajo.

NOTA: Permitir que la herramienta se apoye en la superficie de trabajo sin desplazarla dañará la pieza de trabajo.

5. Quite la herramienta de la superficie de trabajo antes de apagarla. Permita que la herramienta deje de girar antes de soltarla.

¡ATENCIÓN! Tenga mucho cuidado cuando trabaje sobre un borde, pues puede producirse un movimiento brusco y repentino de la esmeriladora.

Precauciones que deben tomarse al trabajar en una pieza de trabajo pintada

1. NO SE RECOMIENDA el lijado o cepillado metálico de pinturas a base de plomo debido a la dificultad de controlar el polvo contaminado. La intoxicación por plomo es más peligrosa para niños y mujeres embarazadas.
2. Ya que es difícil identificar si una pintura contiene plomo o no, sin antes hacer un análisis químico, recomendamos que se tomen las siguientes precauciones al lijar cualquier pintura:

Seguridad personal

1. Ningún niño o mujer embarazada debería entrar al área de trabajo donde se esté lijando o cepillando con escobilla metálica pintura hasta que se haya terminado de limpiar el área.

2. Todas las personas que entren en el área de trabajo deben usar una mascarilla antipolvo o un respirador. El filtro debería ser reemplazado a diario o cuando el usuario tenga dificultades para respirar.

NOTA: Sólo se deberían utilizar aquellas mascarillas antipolvo adecuadas para trabajar con polvo y gases de pinturas con plomo. Las mascarillas regulares para pintar no ofrecen esta protección. Visite su distribuidor de ferretería local para obtener la máscara N.I.O.S.H. correcta.

3. No se debe COMER, BEBER ni FUMAR en el área de trabajo para evitar ingerir partículas de pintura contaminada. Los trabajadores se deben lavar y limpiar

ANTES de comer, beber o fumar. No deben dejarse artículos de comida, bebida o tabaco en el área de trabajo donde se podría depositar polvo sobre ellos.

Seguridad ambiental

1. La pintura debe ser retirada de manera que se reduzca al mínimo la cantidad de polvo generado.
2. Las áreas donde se realiza remoción de pintura deben estar selladas con láminas de plástico de 4 mm de grosor.
3. El lijado debería hacerse de modo que se reduzcan los vestigios de polvo de pintura fuera del área de trabajo.

Limpieza y eliminación de residuos

1. Todas las superficies del área de trabajo deben ser limpiadas en profundidad y repasadas con aspiradora todos los días mientras dure el proyecto de lijado. Las bolsas de filtro de la aspiradora deben cambiarse con frecuencia.
2. Las láminas de protección de plástico deben recogerse y eliminarse junto con el polvo y cualquier otro residuo. Deberán colocarse en un recipiente para desechos sellado y eliminarse de acuerdo con los procedimientos normales de eliminación de la basura. Durante la limpieza, se impedirá a niños y mujeres embarazadas el acceso al área de trabajo.
3. Todos los juguetes, muebles lavables y utensilios usados por niños deberán lavarse a fondo antes de volverlos a usar.

Rectificado y Corte de Bordes (Fig. M)

ADVERTENCIA: No use discos de esmerilado/corte de bordes para aplicaciones de esmerilado de superficies porque estos discos no están diseñados para soportar las presiones laterales que se producen con el esmerilado de superficies. Puede producirse una rotura del disco y lesiones.

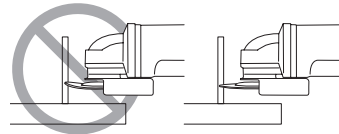
ATENCIÓN: Los discos utilizados para el esmerilado y corte de bordes pueden romperse o rebotar si se doblan o se tuercen cuando se usa la herramienta. En todas las operaciones de esmerilado/corte de bordes, el lado abierto del protector debe situarse lejos del operador.

AVISO: El esmerilado/corte de bordes con un disco tipo 27 debe limitarse a cortes poco profundos y muescas, de menos de 13 mm de profundidad, cuando el disco es nuevo. Reduzca la profundidad de corte/muesca equivalente a la reducción del radio del disco a medida que se desgaste. Consulte la **Tabla de accesorios** si desea más información. El esmerilado/corte de bordes con un disco tipo 41 requiere el uso de un protector tipo 1.

1. Permita que la herramienta alcance la velocidad máxima antes de ponerla en contacto con la superficie de trabajo.
2. Aplique una presión mínima a la superficie de trabajo, permitiendo a la herramienta operar a alta velocidad. La velocidad de esmerilado/corte es mayor cuando la herramienta opera a velocidad alta.

3. Colóquese de forma que la parte inferior abierta del disco quede en el lado opuesto a usted.
4. Una vez que haya empezado a cortar y haya realizado una ranura en la pieza de trabajo, no cambie el ángulo de corte. Cambiar el ángulo hará que el disco se curve, lo que podría romperlo. Los discos para esmerilado de bordes no están diseñados para soportar las presiones laterales provocadas por el curvado.

Fig. M



5. Retire la herramienta de la superficie de trabajo antes de apagarla. Permita que la herramienta deje de girar antes de soltarla.

MANTENIMIENTO

ADVERTENCIA: Para reducir el riesgo de lesiones personales graves, apague la herramienta y retire el paquete de baterías antes de realizar ajustes o de retirar/instalar dispositivos o accesorios. Un arranque accidental podría causar lesiones.

Limpieza

ADVERTENCIA: Sople la suciedad y el polvo de todos los conductos de ventilación con aire seco, al menos una vez por semana. Para reducir el riesgo de lesiones, utilice siempre protección para los ojos aprobada ANSI Z87.1 al realizar esta tarea.

ADVERTENCIA: Nunca utilice solventes ni otros químicos abrasivos para limpiar las piezas no metálicas de la herramienta. Estos productos químicos pueden debilitar los materiales plásticos utilizados en estas piezas. Utilice un paño humedecido sólo con agua y jabón neutro. Nunca permita que penetre líquido dentro de la herramienta ni sumerja ninguna de las piezas en un líquido.

Accesorios

ADVERTENCIA: Debido a que no se han probado con este producto otros accesorios que no sean los que ofrece DeWALT, el uso de dichos accesorios con esta herramienta podría ser peligroso. Para reducir el riesgo de lesiones, con este producto deben usarse sólo los accesorios recomendados por DeWALT.

Los accesorios que se recomiendan para utilizar con la herramienta están disponibles a un costo adicional en su distribuidor local o en un centro de mantenimiento autorizado. Si necesita ayuda para localizar algún accesorio, póngase en contacto con DeWALT Industrial Tool Co., 701 East Joppa Road, Towson, MD 21286, llame al 1-800-4-DeWALT (1-800-433-9258) o visite nuestro sitio web: www.dewalt.com.

ESPAÑOL

Reparaciones

El cargador y las unidades de batería no pueden ser reparados.



ADVERTENCIA: Para asegurar la **SEGURIDAD** y la **CONFIABILIDAD** del producto, las reparaciones, el mantenimiento y los ajustes (inclusiva la inspección y el cambio de las escobillas, cuando proceda) deben ser realizados en un centro de mantenimiento en la fábrica DeWALT u en un centro de mantenimiento autorizado DeWALT. Utilice siempre piezas de repuesto idénticas.

Para reparación y servicio de sus herramientas eléctricas, favor de dirigirse al Centro de Servicio más cercano

CULIACAN, SIN

Bld.Emiliano Zapata 5400-1 Poniente Col. (667) 717 89 99
San Rafael

GUADALAJARA, JAL

Av. La Paz #1779 - Col. Americana Sector (33) 3825 6978
Juárez

MEXICO, D.F.

Eje Central Lázaro Cárdenas No. 18 - Local (55) 5588 9377
D, Col. Obrera

MERIDA, YUC

Calle 63 #459-A - Col. Centro (999) 928 5038

MONTERREY, N.L.

Av. Francisco I. Madero 831 Poniente - Col. (818) 375 23 13
Centro

PUEBLA, PUE

17 Norte #205 - Col. Centro (222) 246 3714

QUERETARO, QRO

Av. San Roque 274 - Col. San Gregorio (442) 2 17 63 14

SAN LUIS POTOSI, SLP

Av. Universidad 1525 - Col. San Luis (444) 814 2383

TORREON, COAH

Bld. Independencia, 96 Pte. - Col. Centro (871) 716 5265

VERACRUZ, VER

Prolongación Díaz Mirón #4280 - Col. (229) 921 7016
Remes

VILLAHERMOSA, TAB

Constitución 516-A - Col. Centro (993) 312 5111

PARA OTRAS LOCALIDADES:

**Si se encuentra en México, por favor llame al
(55) 5326 7100**

**Si se encuentra en U.S., por favor llame al
1-800-433-9258 (1-800 4-DeWALT)**

Póliza de Garantía

IDENTIFICACIÓN DEL PRODUCTO:

Sello o firma del Distribuidor.

Nombre del producto: _____

Mod./Cat.: _____

Marca: _____

Núm. de serie: _____

(Datos para ser llenados por el distribuidor)

Fecha de compra y/o entrega del producto:

Nombre y domicilio del distribuidor donde se adquirió el producto:

Este producto está garantizado por un año a partir de la fecha de entrega, contra cualquier defecto en su funcionamiento, así como en materiales y mano de obra empleados para su fabricación. Nuestra garantía incluye la reparación o reposición del producto y/o componentes sin cargo alguno para el cliente, incluyendo mano de obra, así como los gastos de transporte razonablemente erogados derivados del cumplimiento de este certificado.

Para hacer efectiva esta garantía deberá presentar su herramienta y esta póliza sellada por el establecimiento comercial donde se adquirió el producto, de no contar con ésta, bastará la factura de compra.

Excepciones

Esta garantía no será válida en los siguientes casos:

- Cuando el producto se hubiese utilizado en condiciones distintas a las normales;
- Cuando el producto no hubiese sido operado de acuerdo con el instructivo de uso que se acompaña;
- Cuando el producto hubiese sido alterado o reparado por personas distintas a las enlistadas al final de este certificado.

Anexo encontrará una relación de sucursales de servicio de fábrica, centros de servicio autorizados y franquiciados en la República Mexicana, donde podrá hacer efectiva su garantía y adquirir partes, refacciones y accesorios originales.

Registro en línea

Gracias por su compra. Registre su producto ahora para:

- **SERVICIO EN GARANTÍA:** Si completa esta tarjeta, podrá obtener un servicio en garantía más eficiente, en caso de que exista un problema con su producto.
- **CONFIRMACIÓN DE PROPIEDAD:** En caso de una pérdida que cubra el seguro, como un incendio, una inundación o un robo, el registro de propiedad servirá como comprobante de compra.
- **PARA SU SEGURIDAD:** Si registra el producto, podremos comunicarnos con usted en el caso improbable que se deba enviar una notificación de seguridad conforme a la Federal Consumer Safety Act (Ley Federal de Seguridad de Productos para el Consumidor).

Registro en línea en www.dewalt.com/register.

Garantía limitada por tres años

DeWALT reparará, sin cargo, cualquier falla que surja de defectos en el material o la fabricación del producto, por hasta tres años a contar de la fecha de compra. Esta garantía no cubre fallas de las piezas causadas por su desgaste normal o abuso a la herramienta. Para mayores detalles sobre la cobertura de la garantía e información acerca de reparaciones realizadas bajo garantía, visítenos en www.dewalt.com o diríjase al centro de servicio más cercano. Esta garantía no aplica a accesorios o a daños causados por reparaciones realizadas o intentadas por terceros. ESTA GARANTÍA LIMITADA SE OTORGA EN VEZ DE TODAS LAS DEMÁS, INCLUIDA LA GARANTÍA IMPLÍCITA DE COMERCIABILIDAD Y APTITUD PARA UN FIN PARTICULAR, Y EXCLUYE TODOS LOS DAÑOS INCIDENTALES O CONSECUENTES. Algunos estados no permiten limitaciones sobre la duración de una garantía implícita, o la exclusión o limitación de daños incidentales o consecuentes, así que estas limitaciones pueden no aplicarse a usted. Esta garantía le otorga derechos legales específicos, además de los cuales usted puede tener otros derechos dependiendo del estado o la provincia en que se encuentre.

Además de la garantía, las herramientas DeWALT están cubiertas por:

1 AÑO DE SERVICIO GRATUITO

DeWALT mantendrá la herramienta y reemplazará las piezas gastadas por su uso normal, sin cobro, en cualquier momento durante un año a contar de la fecha de compra.

2 AÑOS DE SERVICIO GRATUITO PARA UNIDADES DE ALIMENTACIÓN DEWALT

DC9071, DC9091, DC9096, DC9182, DC9280, DC9360, DCB120, DCB127, DCB201, DCB203, DCB203BT, DCB207, DCB361

3 AÑOS DE SERVICIO GRATUITO PARA UNIDADES DE ALIMENTACIÓN DEWALT

DCB200, DCB204, DCB204BT, DCB205, DCB205BT, DCB206, DCB606, DCB609

NOTA: La garantía del producto quedará nula si la unidad de batería ha sido alterada de cualquier manera. DeWALT no es responsable de ninguna lesión causada por alteraciones y podría iniciar un procedimiento judicial por fraude de garantía hasta el máximo grado permisible por la ley.

GARANTÍA DE REEMBOLSO DE SU DINERO POR 90 DÍAS

Si no está completamente satisfecho con el desempeño de su máquina herramienta, láser o clavadora DeWALT, cualquiera sea el motivo, podrá devolverlo hasta 90 días de la fecha de compra con su recibo y obtener el reembolso completo de su dinero – sin necesidad de responder a ninguna pregunta.

AMÉRICA LATINA: Esta garantía no se aplica a los productos que se venden en América Latina. Para los productos que se venden en América Latina, debe consultar la información de la garantía específica del país que viene en el empaque, llamar a la compañía local o visitar el sitio Web a fin de obtener esa información.

REEMPLAZO GRATUITO DE LAS ETIQUETAS DE

ADVERTENCIAS: Si sus etiquetas de advertencia se vuelven ilegibles o faltan, llame al 1-800-433-9258 (1-800-4-DeWALT) para que se le reemplacen gratuitamente.

ESPECIFICACIONES

| | |
|--------------------------|----------|
| | DCG413 |
| Tensión de alimentación: | 20V Máx* |
| Potencia nominal: | 800 W |
| Rotación sin carga: | 9000 rpm |

Solamente para propósito de México:

Importado por: DeWALT Industrial Tool Co. S.A. de C.V.

Avenida Antonio Dovali Jaime, # 70 Torre B Piso 9

Colonia La Fe, Santa Fé

Código Postal : 01210

Delegación Alvaro Obregón

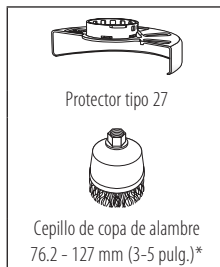
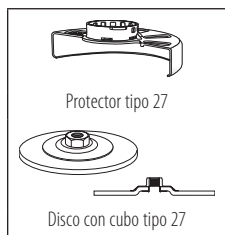
México D.F.

Tel. (52) 555-326-7100

R.F.C.: BDE810626-1W7

TABLA DE ACCESORIOS

**Discos de esmerilado de 115 mm (4.5")
y 127 mm (5") y 150 mm (6")**



**Discos para lijar de 115 mm (4.5")
y 127 mm (5") y 150 mm (6")**



Disco de corte de 115 mm (4.5") y 127 mm (5") y 150 mm (6")



Les types 1/41 de carters ont été conçus pour être utilisés avec les meules à tronçonner de type 1/41 et les meules de type 27 pour la découpe seulement. Le meulage avec des meules autres que celles de types 27 et 29 requiert l'utilisation d'un carter de protection autre. Utiliser systématiquement le carter adéquat le plus petit possible, qui ne rentrera pas en contact avec l'accessoire.

**** REMARQUE :** des carters de type 1/41 sont vendus séparément chez votre distributeur local ou dans les centres de réparation agréés.



DeWALT BATTERY AND CHARGER SYSTEMS

Chargers/Charge Time (Minutes) . Chargeurs/Durée de charge (Minutes) . Cargadores de baterías/Tiempo de carga (Minutos)

| Battery Cat # | Output Voltage | 120 Volts | | | | | | | | | | | | | 12 Volts | | | |
|---------------|----------------|-----------|--------|--------|--------|--------|--------|--------|--------|--------|--------|--------|--------|---------|----------|--------|--------|--------|
| | | DC9000 | DC9310 | DC9320 | DCB095 | DCB102 | DCB103 | DCB107 | DCB112 | DCB113 | DCB114 | DCB115 | DCB116 | DCB118 | DCB132 | DCB119 | DW0249 | DCB412 |
| DCB609 | 20/60 | X | X | X | X | 135 | 135 | 432 | 270 | 230 | X | 135 | X | 75 | 270 | X | X | X |
| DCB606 | 20/60 | X | X | X | X | 100 | 100 | 272 | 170 | 140 | X | 90 | X | 60 | 90 | X | X | X |
| DCB404 | 40 | X | X | X | X | X | X | X | X | X | 90 | X | 30 | X | X | X | X | 130 |
| DCB406 | 40 | X | X | X | X | X | X | X | X | X | 130 | X | 45 | X | X | X | X | 190 |
| DCB407 | 40 | X | X | X | X | X | X | X | X | X | 170 | X | 60 | X | X | X | X | 235 |
| DC9360 | 36 | 45 | X | X | X | X | X | X | X | X | X | X | X | X | X | X | X | X |
| DCB361 | 36 | 45 | X | X | X | X | X | X | X | X | X | X | X | X | X | X | X | X |
| DC9280 | 28 | 60 | X | X | X | X | X | X | X | X | X | X | X | X | X | X | X | X |
| DW0242 | 24 | X | X | X | X | X | X | X | X | X | X | X | X | X | X | X | 60 | X |
| DCB200 | 20 | X | X | X | X | 60 | 60 | 140 | 90 | 67 | X | 45 | X | 45/30** | 45 | 90 | X | X |
| DCB201 | 20 | X | X | X | X | 30 | 30 | 70 | 45 | 35 | X | 22 | X | 22 | 22 | 45 | X | X |
| DCB203 | 20 | X | X | X | X | 35 | 35 | 90 | 60 | 45 | X | 30 | X | 30 | 30 | 60 | X | X |
| DCB203BT* | 20 | X | X | X | X | 35 | 35 | 90 | 60 | 45 | X | 30 | X | 30 | 30 | 60 | X | X |
| DCB204 | 20 | X | X | X | X | 70 | 70 | 185 | 120 | 90 | X | 60 | X | 60/40** | 60 | 120 | X | X |
| DCB204BT* | 20 | X | X | X | X | 70 | 70 | 185 | 120 | 90 | X | 60 | X | 60 | 60 | 120 | X | X |
| DCB205 | 20 | X | X | X | X | 95 | 95 | 240 | 150 | 112 | X | 75 | X | 75/47** | 75 | 150 | X | X |
| DCB206 | 20 | X | X | X | X | 100 | 100 | 272 | 170 | 140 | X | 90 | X | 60 | 90 | X | X | X |
| DCB207 | 20 | X | X | X | X | 30 | 30 | 60 | 40 | 30 | X | 22 | X | 22 | 22 | X | X | X |
| DC9182 | 18 | X | 40 | 40 | X | X | 40 | X | X | X | X | X | X | X | X | X | 40 | X |
| DCB120 | 12 | X | X | X | X | 30 | 30 | 60 | 45 | 35 | X | 20 | X | X | X | 45 | X | X |
| DCB127 | 12 | X | X | X | X | 35 | 35 | 90 | 60 | 50 | X | 30 | X | X | X | 60 | X | X |
| DCB080 | 8 | X | X | X | 60 | X | X | X | X | X | X | X | X | X | X | X | X | X |

*BT - Bluetooth® **NOTE:** The Bluetooth® word mark and logos are registered trademarks owned by the Bluetooth®, SIG, Inc. and any use of such marks by DeWALT is under license. Other trademarks and trade names are those of their respective owners.

**Battery Datecode 201536 or later.

"X" Indicates that the battery pack is not compatible with that specific charger. All charge times are approximate. Actual charge time may vary. Read the instruction manual for more specific information.

"X" indique que le bloc-piles n'est pas compatible avec ce chargeur. Les durées de charge sont approximatives; la durée de charge réelle peut varier. Lire le manuel d'utilisation pour obtenir des renseignements plus précis.

Una "X" indica que el paquete de baterías no es compatible con ese determinado cargador. El tiempo de duración de carga es aproximado; la duración de carga real puede variar. Lea el manual de instrucciones para obtener información más precisa.

* Maximum initial battery voltage (measured without a workload) is 20, 60 or 120 volts. Nominal voltage is 18, 54 or 108. (120V Max* is based on using 2 DeWALT 60V Max* lithium-ion batteries combined.)

* La tension initiale maximum du bloc-piles (mesurée à vide) est de 20, 60 ou 120 volts. La tension nominale est de 18, 54 ou 108. (120 V Max* se base sur l'utilisation combinée de 2 blocs-piles au lithium ion DeWALT de 60 V Max*).

* El máximo voltaje inicial de la batería (medido sin carga de trabajo) es 20, 60 o 120 voltios. El voltaje nominal es de 18, 54 o 108. (120 V Máx* se basan en el uso de 2 baterías de iones de litio DeWALT de 60 V Máx* combinadas).

DeWALT Industrial Tool Co., 701 East Joppa Road, Towson, MD 21286
(MAY17) Part No. N505670 DCG413 Copyright © 2017 DeWALT

The following are trademarks for one or more DeWALT power tools: the yellow and black color scheme, the "D" shaped air intake grill, the array of pyramids on the handgrip, the kit box configuration, and the array of lozenge-shaped humps on the surface of the tool.