

**Before returning this product call**

**1-800-4-DEWALT**

**IF YOU SHOULD EXPERIENCE A PROBLEM WITH YOUR  
DEWALT PURCHASE,  
call 1-800-4-DEWALT**

**IN MOST CASES, A DEWALT REPRESENTATIVE CAN RESOLVE  
YOUR PROBLEM OVER THE PHONE.**

**IF YOU HAVE A SUGGESTION OR COMMENT, GIVE US A CALL.  
YOUR FEEDBACK IS VITAL TO THE SUCCESS OF  
DEWALT'S QUALITY IMPROVEMENT PROGRAM.**

***Questions? See us on the World Wide Web at [www.dewalt.com](http://www.dewalt.com)***

**INSTRUCTION MANUAL  
GUIDE D'UTILISATION  
MANUAL DE INSTRUCCIONES**

**INSTRUCTIVO DE OPERACIÓN, CENTROS DE SERVICIO Y PÓLIZA  
DE GARANTÍA. ADVERTENCIA: LÉASE ESTE INSTRUCTIVO ANTES  
DE USAR EL PRODUCTO.**

**DEWALT®**

**DW745 Heavy-Duty 10" (254 mm) Job Site Table Saw**

**Scie circulaire à table de chantier robuste avec lame de 254 mm (10 po), DW745**

**Sierra de banco para el lugar de trabajo de 254 mm (10") de alta resistencia DW745**

### Definitions: Safety Guidelines

The definitions below describe the level of severity for each signal word. Please read the manual and pay attention to these symbols.

**⚠DANGER:** Indicates an imminently hazardous situation which, if not avoided, **will** result in **death or serious injury**.

**⚠WARNING:** Indicates a potentially hazardous situation which, if not avoided, **could** result in **death or serious injury**.

**⚠CAUTION:** Indicates a potentially hazardous situation which, if not avoided, **may** result in **minor or moderate injury**.

**CAUTION:** Used without the safety alert symbol indicates a potentially hazardous situation which, if not avoided, **may** result in **property damage**.

## SAVE THESE INSTRUCTIONS

### General Safety Rules

**⚠WARNING:** Read all instructions before operating product. Failure to follow all instructions listed below may result in electric shock, fire and/or serious injury.

## SAVE THESE INSTRUCTIONS

**⚠WARNING:** FOLLOW ALL WIRING CODES and recommended electrical connections to prevent shock or electrocution.

### Grounding Instructions

If saw is of grounded construction, read the following instructions.

**⚠DANGER: SHOCK HAZARD. THIS MACHINE MUST BE GROUNDED WHILE IN USE. SERIOUS INJURY COULD RESULT.**

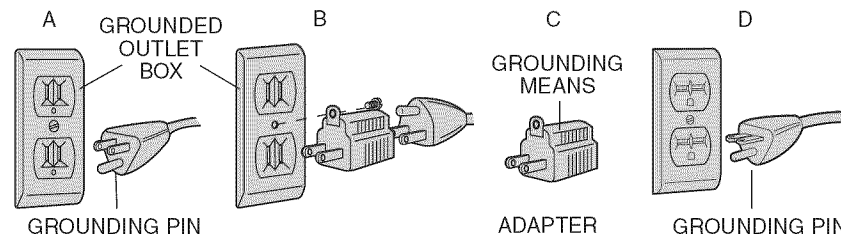
#### ALL GROUNDED, CORD-CONNECTED MACHINES

In the event of a malfunction or breakdown, grounding provides a path of least resistance for electric current to reduce the risk of electric shock. This machine is equipped with an electric cord having an equipment-grounding conductor and a grounding plug. The plug must be plugged into a matching outlet that is properly installed and grounded in accordance with all local codes and ordinances. Do not modify the plug provided - if it will not fit the outlet, have the proper outlet installed by a qualified electrician. Improper connection of the equipment-grounding conductor can result in risk of electric shock. The conductor with insulation having an outer surface that is green with or without yellow stripes is the equipment-grounding conductor. If repair or replacement of the electric cord or plug is necessary, do not connect the equipment-grounding conductor to a live terminal. Check with a qualified electrician or service personnel if the grounding instructions are not completely understood, or if in doubt as to whether the machine is properly grounded. Use only three-wire extension cords that have three-prong grounding type plugs and matching three-conductor receptacles that accept the machine's plug, as shown in Fig. A. Repair or replace damaged or worn cord immediately.

#### GROUNDED, CORD-CONNECTED MACHINES INTENDED FOR USE ON A SUPPLY CIRCUIT HAVING A NOMINAL RATING LESS THAN 150 VOLTS

If the machine is intended for use on a circuit that has an outlet that looks like the one illustrated in Fig. A, the machine will have a grounding plug that looks like the plug illus-

trated in Fig. A. A temporary adapter, which looks like the adapter illustrated in Fig. B, may be used to connect this plug to a matching two-conductor receptacle as shown in Fig. B if a properly grounded outlet is not available. The temporary adapter should be used only until a properly grounded outlet can be installed by a qualified electrician. The green-colored rigid ear, lug, and the like, extending from the adapter must be connected to a permanent ground such as a properly grounded outlet box. Whenever the adapter is used, it must be held in place with a metal screw.



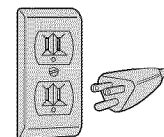
**NOTE:** In Canada, the use of a temporary adapter is not permitted by the Canadian Electric Code.

**⚠DANGER: IN ALL CASES, MAKE CERTAIN THAT THE RECEPTACLE IN QUESTION IS PROPERLY GROUNDED. IF YOU ARE NOT SURE, HAVE A QUALIFIED ELECTRICIAN CHECK THE RECEPTACLE.**

### Double Insulation

If saw is of double-insulated construction, read the following instructions.

Double insulated tools are constructed throughout with two separate layers of electrical insulation or one double thickness of insulation between you and the tool's electrical system. Tools built with this insulation system are not intended to be grounded. As a result, your tool is equipped with a two prong plug which permits you to use extension cords without concern for maintaining a ground connection. Repair or replace damaged or worn cord immediately.



**NOTE:** Double insulation does not take the place of normal safety precautions when operating this tool. The insulation system is for added protection against injury resulting from a possible electrical insulation failure within the tool.

### POLARIZED PLUGS

To reduce the risk of electric shock, this equipment has a polarized plug (one blade is wider than the other). This plug will fit in a polarized outlet only one way. If the plug does not fit fully into the outlet, reverse the plug. If it still does not fit, contact a qualified electrician to install the proper outlet. Do not change the plug in any way.

### Important Safety Instructions

- **TO REDUCE THE RISK OF KICKBACK AND OTHER INJURIES, KEEP GUARDS IN PLACE** and in working order at all times.
- **REMOVE ADJUSTING KEYS AND WRENCHES.** Form habit of checking to see that keys and adjusting wrenches are removed from spindle before turning tool on. Tools, scrap pieces, and other debris can be thrown at high speed, causing injury.
- **KEEP WORK AREA CLEAN.** Cluttered areas and benches invite accidents.
- **DO NOT USE THE MACHINE IN A DANGEROUS ENVIRONMENT.** The use of power tools in damp or wet locations or in rain can cause shock or electrocution. Keep your work area well-lit to avoid tripping or placing arms, hands, and fingers in danger.
- **KEEP CHILDREN AWAY.** All visitors should be kept at a safe distance from work area. Your shop is a potentially dangerous environment.

- **MAKE WORKSHOP CHILDPROOF** with padlocks, master switches, or by removing starter keys. The unauthorized start-up of a machine by a child or visitor may result in injury.
- **DO NOT FORCE TOOL.** It will do the job better and be safer at the rate for which it was designed.
- **USE RIGHT TOOL.** Don't force tool or attachment to do a job for which it was not designed. Using the incorrect tool or attachment may result in personal injury.
- **USE PROPER EXTENSION CORD.** Make sure your extension cord is in good condition. If your product is equipped with a cord set, use only three-wire extension cords that have three-prong grounding-type plugs and three-pole receptacles that accept the tool's plug. When using an extension cord, be sure to use one heavy enough to carry the current your product will draw. An undersized cord will cause a drop in line voltage resulting in loss of power and overheating. The following table shows the correct size to use depending on cord length and nameplate ampere rating. If in doubt, use the next heavier gauge. The smaller the gauge number, the heavier the cord.

MINIMUM GAUGE FOR CORD SETS

Volts	Total Length of Cord in Feet				
120V	0-25	26-50	51-100	101-150	
240V	0-50	51-100	101-200	201-300	
Ampere Rating		AWG			
More Than	Not more Than				
0 - 6	18	16	16	14	
6 - 10	18	16	14	12	
10 - 12	16	16	14	12	
12 - 16	14	12	Not Recommended		

- **WEAR PROPER APPAREL.** No loose clothing, gloves, neckties, rings, bracelets, or other jewelry to get caught in moving parts. Non-slip footwear is recommended. Wear protective hair covering to contain long hair. Air vents may cover moving parts and should also be avoided.
- **ALWAYS USE SAFETY GLASSES.** Everyday eyeglasses are NOT safety glasses. Also use face or dust mask if cutting operation is dusty. ALWAYS wear certified safety equipment:
  - ANSI Z87.1 eye protection (CAN/CSA Z94.3)
  - ANSI S12.6 (S3.19) hearing protection
  - NIOSH/OSHA/MSHA respiratory protection.
- **DO NOT OVERREACH.** Keep proper footing and balance at all times. Loss of balance may cause personal injury.
- **MAINTAIN TOOLS WITH CARE.** Keep blades sharp and clean for best and safest performance. Follow instructions for lubricating and changing accessories. Poorly maintained blades and machines can further damage the blade or machine and/or cause injury.
- **TURN THE MACHINE "OFF", AND DISCONNECT THE MACHINE FROM THE POWER SOURCE** before installing or removing accessories, before adjusting or changing set-ups, when making repairs or changing locations. Do not touch the plug's metal prongs when unplugging or plugging in the cord. An accidental start-up can cause injury.
- **REDUCE THE RISK OF UNINTENTIONAL STARTING.** Make sure that the switch is in the "OFF" position before plugging in the power cord. In the event of a power failure, move the switch to the "OFF" position. An accidental start-up can cause injury.

- **USE RECOMMENDED ACCESSORIES.** Use only accessories that are recommended by the manufacturer for your model. Accessories that may be suitable for one tool may be hazardous when used on another tool. Consult the instruction manual for recommended accessories. The use of improper accessories may cause risk of injury to persons.
- **NEVER STAND ON TOOL.** Serious injury could occur if the tool is tipped or if the cutting tool is unintentionally contacted.
- **CHECK FOR DAMAGED PARTS.** Before further use of the tool, a guard or other part that is damaged should be carefully checked to determine that it will operate properly and perform its intended function—check for alignment of moving parts, binding of moving parts, breakage of parts, mounting and any other conditions that may affect its operation. A guard or other part that is damaged should be properly repaired or replaced. Do not use tool if switch does not turn it on and off. Damaged parts can cause further damage to the machine and/or personal injury.
- **DIRECTION OF FEED.** Feed work into a blade or cutter against the direction of rotation of the blade or cutter only.
- **NEVER LEAVE TOOL RUNNING UNATTENDED. TURN POWER OFF.** Don't leave tool until it comes to a complete stop. Serious injury can result.
- **DO NOT OPERATE ELECTRIC TOOLS NEAR FLAMMABLE LIQUIDS OR IN GASEOUS OR EXPLOSIVE ATMOSPHERES.** Motors and switches in these tools may spark and ignite fumes.
- **STAY ALERT, WATCH WHAT YOU ARE DOING, AND USE COMMON SENSE. DO NOT USE THE MACHINE WHEN YOU ARE TIRED OR UNDER THE INFLUENCE OF DRUGS, ALCOHOL, OR MEDICATION.** A moment of inattention while operating power tools may result in serious injury.
- **DO NOT ALLOW FAMILIARITY (gained from frequent use of your saw) TO REPLACE SAFETY RULES.** Always remember that a careless fraction of a second is sufficient to inflict severe injury.

### Additional Safety Rules for Table Saws

**⚠WARNING: ALWAYS USE SAFETY GLASSES.** Everyday eyeglasses are NOT safety glasses. Also use face or dust mask if cutting operation is dusty. All users and bystanders MUST ALWAYS wear certified safety equipment:

- ANSI Z87.1 eye protection (CAN/CSA Z94.3),
- ANSI S12.6 (S3.19) hearing protection,
- NIOSH/OSHA/MSHA respiratory protection.
- **AVOID AWKWARD POSITIONS,** where a sudden slip could cause a hand to move into a saw blade.
- **NEVER REACH IN BACK OF, OR AROUND, THE CUTTING TOOL** with either hand to hold down the work piece.
- **KEEP ARMS, HANDS AND FINGERS AWAY** from the blade to prevent serious injury.
- **USE A PUSH STICK OR PUSH BLOCK THAT IS APPROPRIATE TO THE APPLICATION TO PUSH WORK PIECES THROUGH THE SAW.** A push stick is a wooden or non-metallic stick, usually homemade, that should be used whenever the size or shape of the work piece would cause you to place your hands within six inches of the blade. **Use hold-downs, jigs, fixtures or feather boards to help guide and control the work piece when the guard cannot be used.** Use saw-blade guard and splitter for every operation for which it can be used, including all through sawing.
- **DO NOT PERFORM RIPPING, CROSSCUTTING OR ANY OTHER OPERATION FREEHAND.**
- **NEVER** reach around or over saw blade.
- **STABILITY.** Make sure the table saw is firmly mounted to a secure surface before use and does not move.

- **NEVER CUT FERROUS METALS** (those with any iron or steel content), **CEMENT BOARD OR MASONRY**. Certain man-made materials have special instructions for cutting on table saws. Follow the manufacturer's recommendations at all times. Damage to the saw and personal injury may result.
- **THE PROPER THROAT PLATE MUST BE IN PLACE AT ALL TIMES** to reduce the risk of a thrown work piece and possible injury.
- **USE THE CORRECT SAW BLADE FOR THE INTENDED OPERATION**. The blade must rotate toward the front of the saw. Always tighten the blade arbor nut securely. Before use, inspect the blade for cracks or missing teeth. Do not use a damaged blade.
- **NEVER ATTEMPT TO FREE A STALLED SAW BLADE WITHOUT FIRST TURNING THE MACHINE OFF AND DISCONNECTING THE SAW FROM THE POWER SOURCE**. If a work piece or cut-off piece becomes trapped inside the guard, turn saw off and wait for blade to stop before lifting the guard and removing the piece.
- **NEVER START THE MACHINE** with the work piece against the blade to reduce the risk of a thrown work piece and personal injury.
- **NEVER** run the work piece between the fence and a molding cutterhead to reduce the risk of a thrown work piece and personal injury.
- **NEVER have any part of your body in line with the path of the saw blade**. Personal injury will occur.
- **NEVER PERFORM LAYOUT, ASSEMBLY OR SET-UP WORK** on the table/work area when the machine is running. A sudden slip could cause a hand to move into the blade. Severe injury can result.
- **CLEAN THE TABLE/WORK AREA BEFORE LEAVING THE MACHINE**. Lock the switch in the "OFF" position and disconnect from the power source to prevent unauthorized use.
- **DO NOT leave a long board (or other work piece) unsupported so the spring of the board causes it to shift on the table resulting in loss of control and possible injury**. Provide proper support for the work piece, based on its size and the type of operation to be performed. Hold the work firmly against the fence and down against the table surface.
- **DO NOT OPERATE THIS MACHINE** until it is completely assembled and installed according to the instructions. A machine incorrectly assembled can cause serious injury.
- **OBTAIN ADVICE** from your supervisor, instructor, or another qualified person if you are not thoroughly familiar with the operation of this machine. Knowledge is safety.
- **ADDITIONAL INFORMATION** regarding the safe and proper operation of power tools (i.e., a safety video) is available from the Power Tool Institute, 1300 Sumner Avenue, Cleveland, OH 44115-2851 ([www.powertoolinstitute.com](http://www.powertoolinstitute.com)). Information is also available from the National Safety Council, 1121 Spring Lake Drive, Itasca, IL 60143-3201. Please refer to the American National Standards Institute ANSI 01.1 Safety Requirements for Woodworking Machines and the U.S. Department of Labor OSHA 1910.213 Regulations.

**TERMS: THE FOLLOWING TERMS WILL BE USED THROUGHOUT THE MANUAL AND YOU SHOULD BECOME FAMILIAR WITH THEM.**

- **Through-sawing** refers to any cut that completely severs the work piece.
- **Push Stick** refers to a wooden stick, usually homemade, that is used to push small work piece through the saw and keeps the operator's hands clear of the blade.
- **Kickback** occurs when the saw blade binds in the cut and violently thrusts the work piece back toward the operator.
- **Freehand** refers to cutting without the use of a miter gauge or rip fence or any other means of guiding or holding the work piece other than the operator's hand.

## SAW BLADE GUARD AND SPLITTER

Your table saw is equipped with a blade guard and splitter assembly that covers the blade and prevents accidental contact. The splitter is a flat plate that fits into the cut made by the saw blade and effectively fights kickback by lessening the tendency of the blade to bind in the cut. The splitter can only be used when making through cuts that sever the wood. When making rabbets and other cuts that make less than through cuts, the blade guard and splitter assembly must be removed from the saw. Two anti-kickback pawls are located on the sides of the splitter that allow the wood to pass through the blade in the cutting direction but lock it if it tries to move backwards toward the operator.

### MAKING A PUSH STICK (Inside Back Cover)

- In order to operate your table saw safely you must use a push stick whenever the size or shape of the work piece would cause your hands to be within 6" (152 mm) of the saw blade or other cutter. A push stick is included with this saw.
- No special wood is needed to make additional push-sticks as long as it's sturdy and long enough. A length of 12" (305 mm) is recommended with a notch that fits against the edge of the work piece to prevent slipping. It's a good idea to have several push sticks of the same length [12" (305 mm)] with different size notches for different work piece thicknesses.
- See the inside back cover for a picture of a push stick. The shape can vary to suit your own needs as long as it performs its intended function of keeping your hands away from the blade.

## KICKBACKS

### How to Avoid Them and Protect Yourself from Possible Injury

- Be certain that the rip fence is parallel to the saw blade.
- Do not rip by applying the feed force to the section of the work piece that will become the cut-off (free) piece. Feed force when ripping should always be applied between the saw blade and the fence; use a push stick for short work, 6" (152 mm) wide or less. For less than 2" (51 mm) wide, you must use a special fixture.
- Keep saw blade guard, splitter and anti-kickback teeth in place and operating properly. Keep teeth sharp. If teeth are not operational, return your unit to the nearest authorized DEWALT service center for repair. The splitter must be in alignment with the saw blade and the teeth must stop a kickback once it has started. Check their action before ripping by pushing the wood under the anti-kickback teeth. The teeth must prevent the wood from being pulled toward the front of the saw.
- Plastic and composition (like hardboard) materials may be cut on your saw. However, since these are usually quite hard and slippery, the anti-kickback pawls may not stop a kickback. Therefore, be especially attentive to following proper set up and cutting procedures for ripping.
- Use saw blade guard and splitter for every operation for which it can be used, including all through-sawing.
- Push the work piece past the saw blade prior to release.
- NEVER** rip a work piece that is twisted or warped, or does not have a straight edge to guide along the fence.
- Use featherboards when the anti-kickback device or the guard and splitter cannot be used.
- NEVER** saw a large work piece that cannot be controlled.
- NEVER** use the fence as a guide or length stop when crosscutting.
- NEVER** saw a work piece with loose knots, flaws, nails or other foreign objects.
- NEVER** rip a work piece shorter than 10".

**⚠WARNING:** Some dust created by power sanding, sawing, grinding, drilling, and other construction activities contains chemicals known to the State of California to cause cancer, birth defects or other reproductive harm. Some examples of these chemicals are:

- lead from lead-based paints,
- crystalline silica from bricks and cement and other masonry products, and
- arsenic and chromium from chemically-treated lumber (CCA).

Your risk from these exposures varies, depending on how often you do this type of work. To reduce your exposure to these chemicals: work in a well-ventilated area, and work with approved safety equipment, such as those dust masks that are specially designed to filter out microscopic particles.

- **Avoid prolonged contact with dust from power sanding, sawing, grinding, drilling, and other construction activities. Wear protective clothing and wash exposed areas with soap and water.** Allowing dust to get into your mouth, eyes, or lay on the skin may promote absorption of harmful chemicals.

**⚠WARNING:** Use of this tool can generate and/or disburse dust, which may cause serious and permanent respiratory or other injury. Always use NIOSH/OSHA approved respiratory protection appropriate for the dust exposure. Direct particles away from face and body. Always operate tool in well-ventilated area and provide for proper dust removal. Use dust collection system wherever possible.

## SAVE THESE INSTRUCTIONS FOR FUTURE USE

### Specifications

#### 15 AMP

Miter Angle	60° L and R
Bevel Angle	0° to 45° L
Blade Size	10" (254 mm)
Max. Cut Depth	0° Bevel 3-1/8" (79 mm)
Max. Cut Depth	45° Bevel 2-1/4" (57 mm)
RPM, no load	3850

FIG. 1

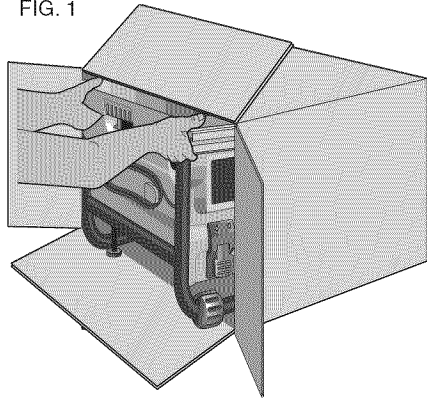
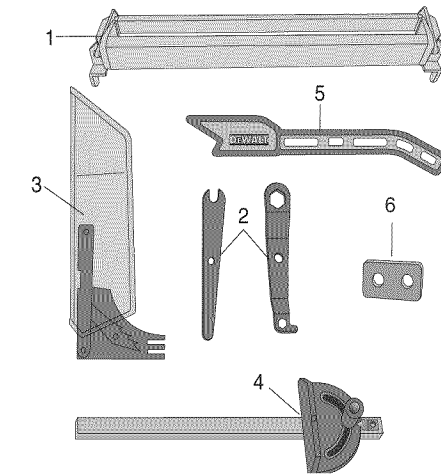


FIG. 2



### Unpacking

**⚠WARNING:** To reduce the risk of injury, do not connect the machine to the power source until the machine is completely assembled and you read and understand the entire instruction manual.

Open the box and slide the saw out, as shown in Figure 1. Carefully unpack the table saw and all loose items from the carton. Examine all parts to make sure that parts have not

been damaged during shipping. If any parts are missing or damaged, contact your dealer to replace them before attempting to assemble the tool.

Refer to Figure 2 for the loose items and hardware included with the saw:

1. Rip fence
2. Arbor wrench and spindle wrench (attached to saw base)
3. Blade guard
4. Miter gauge
5. Push stick (attached to saw base)
6. Extra guard shims

### FEATURES (Fig. 3, 4)

Examine Figures 3 and 4 to become familiar with the saw and its various parts. The following sections on assembly and adjustments will refer to these terms and you must know what and where the parts are.

FIG. 3

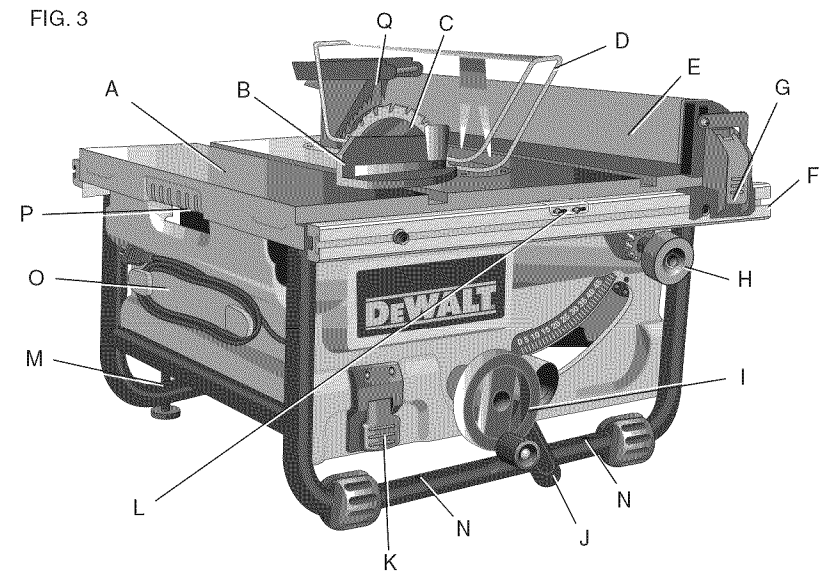
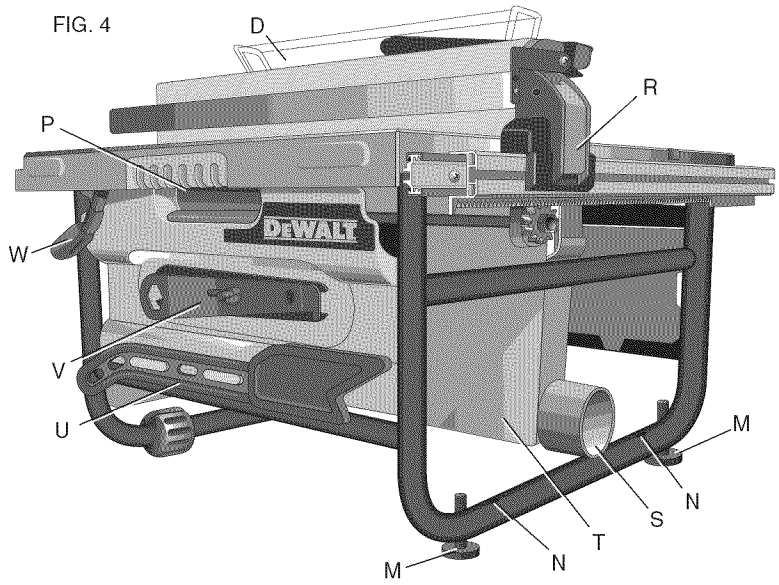


FIGURE 3

- |                                  |                        |
|----------------------------------|------------------------|
| A. Table                         | J. Bevel lock lever    |
| B. Miter gauge                   | K. ON/OFF switch       |
| C. Blade                         | L. Rip fence indicator |
| D. Blade guard                   | M. Adjustable feet     |
| E. Fence                         | N. Mounting holes      |
| F. Fence rails                   | O. Cord wrap           |
| G. Rip fence front latch         | P. Handle              |
| H. Fine adjustment knob          | Q. Anti-kickback teeth |
| I. Blade height adjustment wheel |                        |

FIGURE 4

- |                         |                                 |
|-------------------------|---------------------------------|
| R. Rip fence rear latch | V. Arbor wrench, spindle wrench |
| S. Dust collection port | W. Rail lock lever              |
| T. Dust shroud          |                                 |
| U. Push stick           |                                 |



**ASSEMBLY**

**⚠WARNING: Shock Hazard.** To reduce the risk of serious personal injury, turn unit off and disconnect machine from power source before attempting to move it, change accessories or make any adjustments.

**ASSEMBLE YOUR SAW IN THE FOLLOWING ORDER**

1. Rip fence (**NOTE:** Adjust rip scale before proceeding; refer to **Rip Scale Adjustment**.)
2. Blade guard
3. Push stick
4. Miter gauge (if required for application)
5. Blade height adjustment crank

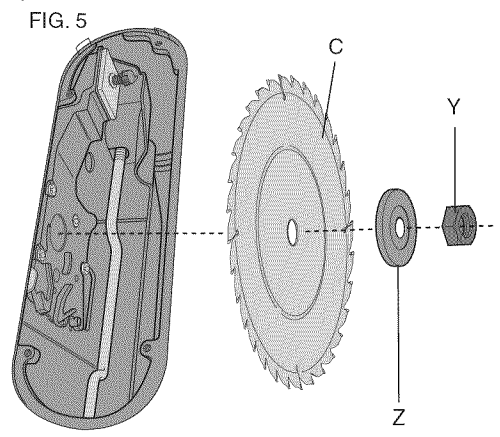
Tools needed for assembly include a Phillips screwdriver and the wrenches included with your saw.

**Blade**

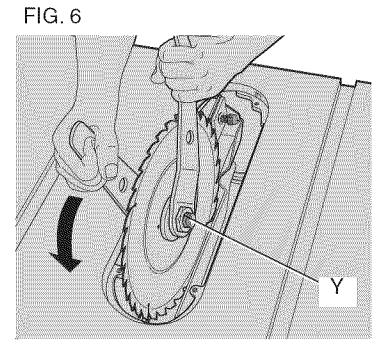
**ATTACHING AND REPLACING THE BLADE**

1. Raise the saw blade arbor to its maximum height by turning the blade height adjustment wheel (I) clockwise.
2. If replacing the blade, remove the blade guard (D) and throat plate (X) prior to installing the new blade. (Refer to **To Remove Blade Guard and To Remove Throat Plate**.)

**NOTE:** It may be easier to change the blade with the saw blade beveled to 45°.

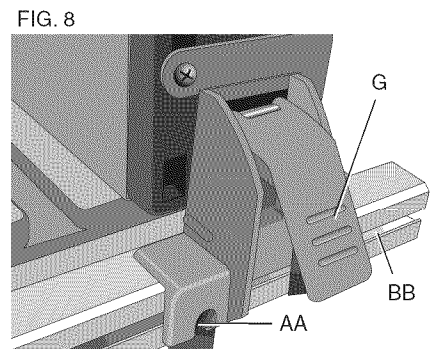
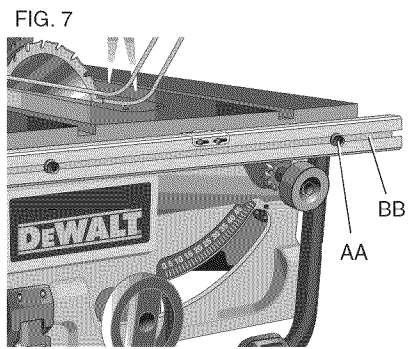


3. Remove the arbor nut (Y) and outer washer (Z) and set aside.
4. Place the blade (C) on the arbor making sure the teeth of the blade point downward and toward the front of the saw.
5. Place the outer washer (Z) against the blade, raised side out and tighten the arbor nut against the washer as far as possible by hand. Ensure that the outer washer and arbor nut are free of dust and debris before installing.
6. To further tighten the arbor nut (Y), use the open ended spindle wrench (supplied) to keep the spindle from rotating (Fig 6).
7. Use the arbor wrench (supplied) to hold the nut and tighten it by turning it clockwise. Reposition the wrench on the arbor nut and repeat as necessary until the nut and washer are securely fastened against the blade (Fig. 6).



**Rip Fence**

The rip fence can be installed on the left or right side of your table saw.



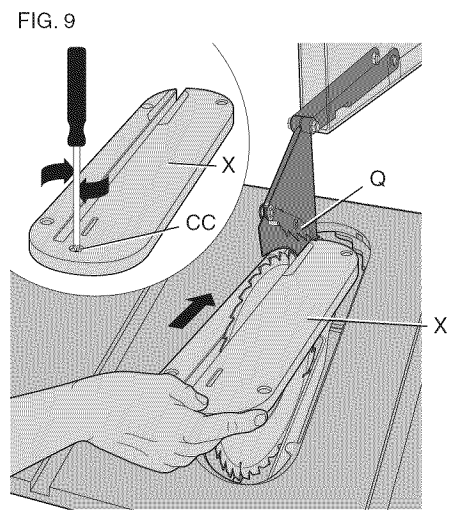
**TO ASSEMBLE THE RIP FENCE (FIG. 7, 8)**

1. Align the locator screw (AA) on the fence rail (F) with the fence head slot and align the latch (G) with the opening (BB).
2. Secure the rip fence by snapping the latches onto the rails as shown in Figure 8. Be sure to snap both front (G) and rear (R) latches in place.

**Throat Plate (Fig. 9)**

**TO REMOVE THE THROAT PLATE**

1. Remove the throat plate (X) by turning the cam lock screw (CC) in the front middle 1/4 turn as shown.
2. Insert the hooked end of the arbor nut wrench into the slot on the plate and pull it up and forward to expose the inside of the saw.



## TO ATTACH THE THROAT PLATE

1. Align the throat plate as shown in Figure 9, and insert the tabs on the back of the throat plate into the holes on the back of the table.
2. Rotate cam out of the way until the front of throat plate drops into place. Secure by rotating 1/4 turn (when cam lock is under the table holding the throat plate in place) as shown in Figure 9.
3. The throat plate includes four adjustment screws which raise or lower the throat plate. When properly adjusted, the front of the throat plate should be flush or slightly below the surface of the table top and secured in place. The rear of the throat plate should be flush or slightly above the table top.

**▲CAUTION:** To reduce the risk of serious personal injury, the throat plate must be in place at all times.

## Blade Guard

### TO ATTACH THE BLADE GUARD

1. Remove the throat plate. (Refer to **Throat Plate**.)
2. Raise the saw blade arbor to its maximum height by turning the blade height adjustment wheel (I) clockwise.
3. Loosen the wing nut (DD) [minimum of three complete turns].
4. Insert the splitter (EE) into the locking mechanism on the saw as shown in Figure 10A until the guard snaps into place. Pull up on the guard to make sure it is secure in the mechanism.
5. Tighten the wing nut against the locking mechanism.

**IMPORTANT:** THE BLADE GUARD SHOULD BE IN PLACE FOR ALL POSSIBLE CUTS.

**▲WARNING:** Before connecting the table saw to the power source or operating the saw, always inspect the guard and splitter for proper alignment and clearance with saw blade. Check alignment after each change of bevel angle.

When properly aligned, the splitter will be in line with the blade at both table top level, and at the top of the blade. Using a straight edge, ensure that the blade is aligned with the splitter as shown in Figure 10B. With power disconnected, operate the blade tilt and height adjustments through the extremes of travel and ensure the guard clears the blade in all operations and that the anti-kickback teeth are functioning. Replace the throat plate.

### TO REMOVE THE BLADE GUARD

1. Remove the throat plate. (Refer to **Throat Plate**.)
2. Insert the hooked end of the arbor nut wrench into the slot on the plate and pull it up and forward to expose the inside of the saw.
3. Flip the guard back and loosen the wing nut beside the guard clamp mechanism.

FIG. 10A

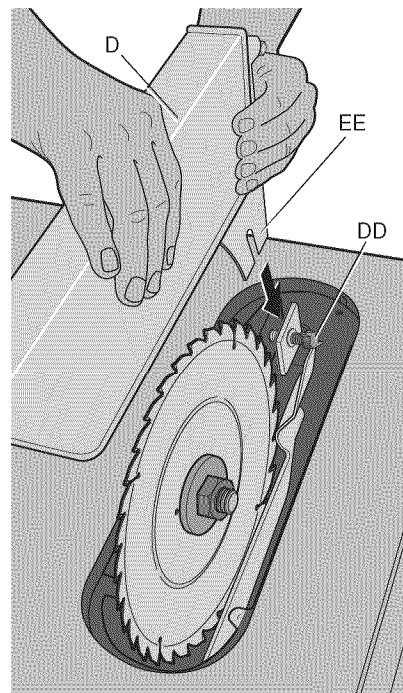
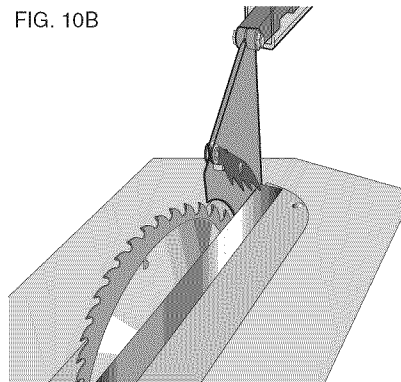


FIG. 10B



4. Press the wing nut toward the guard mechanism and pull the guard out of the saw.

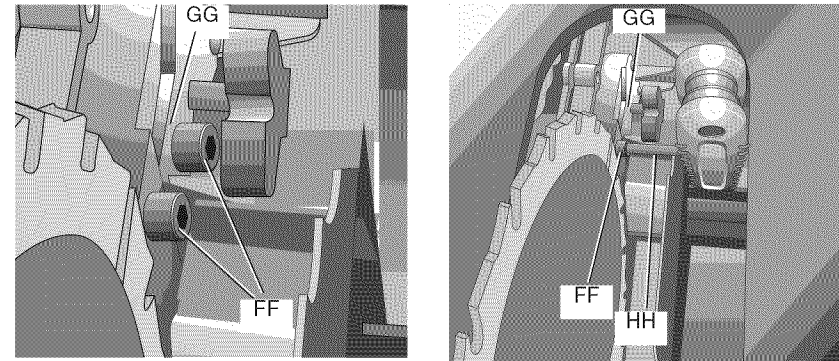
**NOTE:** For ease of use, the blade guard can be inserted directly into the saw without pushing the nut in toward the guard mechanism. However, the wing nut must still be tightened.

### TO ADJUST THE BLADE GUARD

The blade guard and splitter are aligned at the factory. In the event that additional adjustment is needed, extra guard shims have been provided to adjust the alignment.

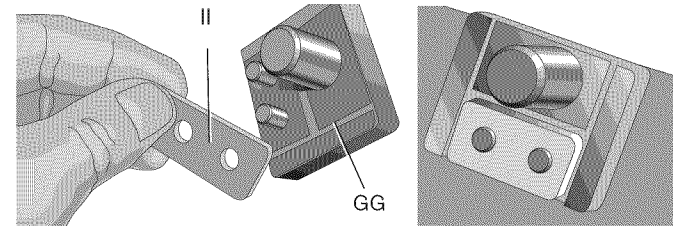
1. Raise the blade (C) to its highest level.
2. Remove the blade guard (D) and blade. (Refer to **To Attach the Blade Guard** under *Blade Guard*.)

FIG. 11



3. Remove the two screws (FF) holding the guard retainer (GG) using a 5 mm hex wrench (HH), as shown in Figure 11.
4. Add or remove shims (II) to align the splitter to the blade.

FIG. 12



5. Reassemble, torquing the screws securely in place. Make sure the splitter is aligned properly to the blade. (Refer to **To Attach the Blade Guard** under *Blade Guard*.)

## Push Stick

**▲WARNING:** To reduce the risk of serious personal injury, have push stick ready to use before starting cut.

### TO ATTACH THE PUSH STICK (FIG. 4)

The push stick included with the DW745 mounts to the right of the saw under the blade wrench storage. To attach the push stick to the saw, align the slots in the handle of the stick with the mounting pins on the saw housing.

## Miter Gauge

**NOTE:** A large auxiliary miter gauge face may be used.

### TO ATTACH THE MITER GAUGE

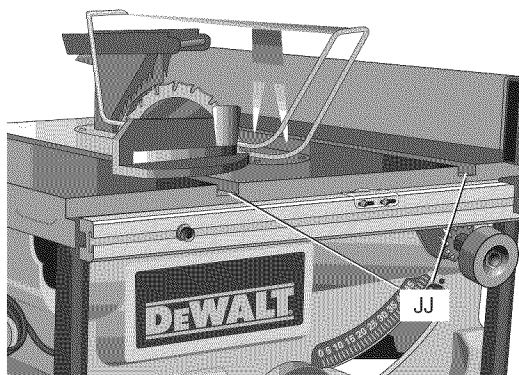
FIG. 13

The DW745 includes a miter gauge for crosscutting materials. The miter gauge can be used by insertion into one of the two miter gauge slots (JJ) in the table top (Fig. 13).

**NOTE:** See crosscutting and bevel crosscutting instructions before performing these operations on the table saw.

### Bench Mounting

**NOTE:** A portable table saw stand is designed for use with this saw and is available at a local DEWALT dealer or service center at extra cost.



### TO BENCH MOUNT SAW

**⚠WARNING:** To reduce the risk of serious personal injury, turn unit off and disconnect machine from power source before attempting to move it, change accessories or make any adjustments. An accidental start-up can cause injury.

**⚠CAUTION:** To reduce the risk of personal injury, make sure table saw is firmly mounted before use.

The table saw must be mounted firmly. Four mounting holes (N) are provided in the metal frame for mounting. We strongly recommend that these holes be used to anchor the table saw to your workbench or other rigid, stationary work support.

**⚠CAUTION:** Ensure that the surface is stable enough that large pieces of material will not cause it to tip over during use.

1. Center the saw on the desired, stable work surface.
2. Drive four 3-1/2" (88.9 mm) long screws through the holes in the metal frame. Make sure the screws extend through the frame and securely attach to the supporting work surface.

If marring the supporting work surface is a concern, the DW745 can be mounted to scrap wood which can then be clamped onto the desired work surface.

1. Cut a piece of 3/4" (19 mm) plywood to fit beneath the footprint of the saw.
2. Screw the saw to the plywood and clamp the overhang of the plywood to the work surface. If the screws protrude through the plywood base, set it on two scrap pieces of material of equal thickness and attach them to the edges of the plywood to hold the saw further off of the work surface and prevent the screws from marring the surface.

### Connecting Saw to Power Source

**⚠WARNING:** To reduce the risk of injury, before connecting saw to power source, make sure the switch is in the OFF position.

Be sure your power supply agrees with the nameplate marking. AC Only means that your saw will operate on alternating current only. A voltage decrease of 10 percent or more will cause a loss of power and overheating. All DEWALT tools are factory tested. If this tool does not operate, check the power supply.

### On-Off Switch

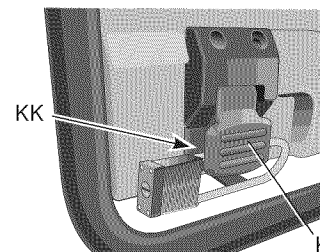
**⚠WARNING:** To reduce the risk of injury, be sure switch is in the OFF position before plugging machine in.

Lift the ON/OFF switch (K) paddle up to turn your saw ON and push it down to turn your saw OFF.

A hole (KK) is provided in the switch for insertion of a padlock with a removable shank to lock the saw off (Fig. 14).

**NOTE:** A conventional padlock will not fit.

FIG. 14



### Rip Fence Operation

#### RAIL LOCK LEVER (FIG. 4)

The rail lock lever (W) locks the fence in place preventing movement during cutting. **To lock the rail lever**, push it down and toward the rear of the saw. **To unlock**, pull it up and toward the front of the saw.

**NOTE:** When ripping, always lock the rail lock lever.

#### WORK SUPPORT EXTENSION

Your table saw is equipped with a work support extension to support work that extends beyond the saw table. To use the work support extension, rotate it as shown in Figure 15. When not in use, the work support extension retracts, as shown in Figure 16.

**NOTE:** Retract the work support extension whenever working over the table.

FIG. 15

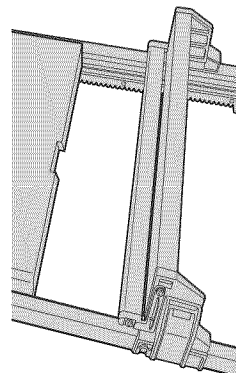
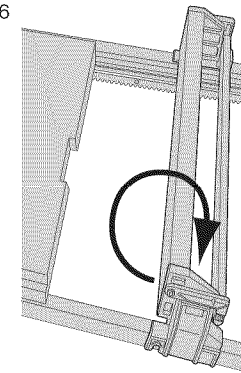


FIG. 16



#### FINE ADJUSTMENT KNOB (FIG. 17)

The fine adjustment knob (H) allows smaller adjustments when setting the fence. Before adjusting, be sure the rail lock lever is in its up or unlocked, position.

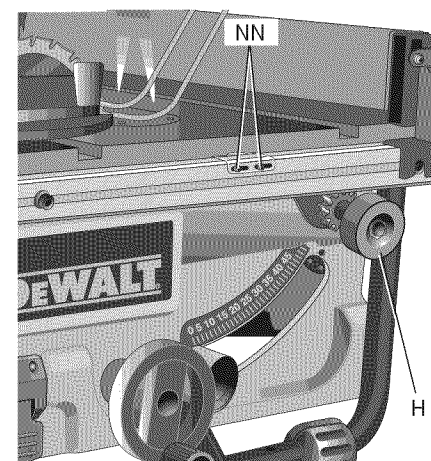
#### RIP SCALE POINTER

The rip scale pointer will need to be adjusted for proper performance of the rip fence if the user switches between thick and thin kerf blades. Refer to **Rip Scale Adjustment** under *Adjustments* for alignment instructions.

### Adjustments

**⚠WARNING:** To reduce the risk of injury, turn unit off and disconnect machine from power source before installing and removing accessories, before adjusting or changing set-ups or when making repairs. An accidental start-up can cause injury.

FIG. 17





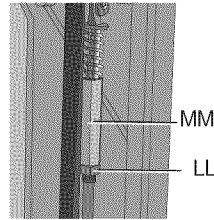
**NOTE:** Your saw is fully and accurately adjusted at the factory at the time of manufacture. If readjustment due to shipping and handling or any other reason is required, follow the steps below to adjust your saw.

Once made, these adjustments should remain accurate. Take a little time now to follow these directions carefully to maintain the accuracy of which your saw is capable.

### RAIL LOCK ADJUSTMENT (Tightening Fence Clamping System)

1. Lock the rail lock lever (W).
2. On the underside of the saw, loosen the nut (LL) (Fig. 18).
3. Tighten the hex rod (MM) until the spring on the locking system is compressed creating the desired tension on the rail lock lever. Retighten the jam nut against the hex rod.
4. Flip the saw over and check that the fence does not move when the lock lever is engaged. If the fence is still loose, tighten the spring further.

FIG. 18



### RIP SCALE ADJUSTMENT (Calibrating Rip Scale)

1. Unlock the rail lock lever (W).
2. Set the blade at 0° bevel and move the fence until it is flush with the blade.
3. Lock the rail lock lever.
4. Loosen the screws (NN) in the rip scale pointer with a Phillips screwdriver and reset the red line to 0° on the scale. See Figure 17.
5. Tighten the screws back into the rail.

**NOTE:** The rip scale only reads correctly when the fence is mounted on the right side of the blade.

### BLADE ALIGNMENT ADJUSTMENT (Blade Parallel to Miter Slot)

**⚠WARNING:** Cut Hazard. Check the blade at 0° and 45° to make sure blade does not hit the throat plate, causing personal injury.

If the blade appears to be out of alignment with the miter slot on the table top, it will require calibration for alignment. To realign the blade and miter slot, use the following procedure:

1. Locate the black Allen locator screws (OO) that hold up the trunnion to the bottom of the table in the rear of the saw.
2. Loosen both screws and align the blade with the miter slot. Be sure to measure between the miter slot and the back and front of the blade to ensure parallelism.
3. Snugly tighten the screws to secure the trunnion and blade assembly to the table at the parallel position.

FIG. 19

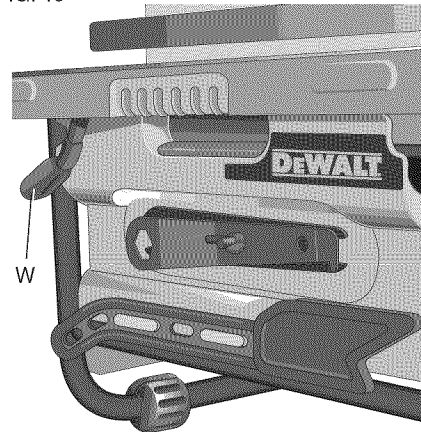
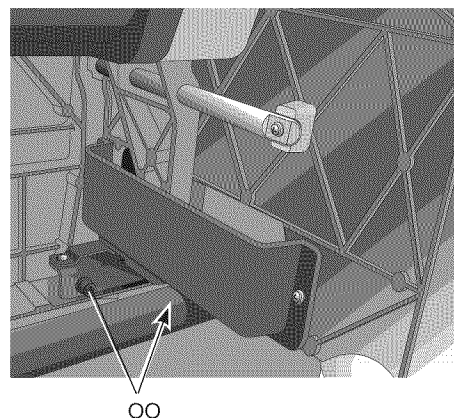


FIG. 20



### FENCE ALIGNMENT ADJUSTMENT (Blade Parallel to Fence)

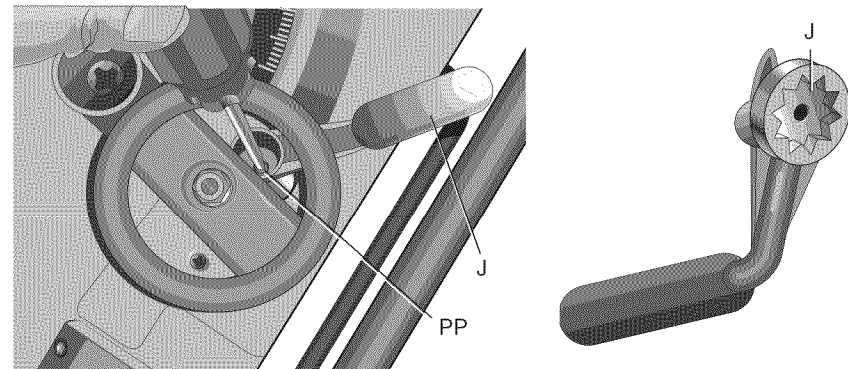
If you experience fence alignment problems and want to correct an out of parallel between the fence and the blade, be sure to check the alignment of the blade to the miter slot first. After confirming that those elements are aligned, proceed with alignment of the blade to the fence using the following procedure:

1. Unlock the rail lock lever (W) and locate the two fence locator screws (AA) that support the fence on the front and rear rails.
2. Loosen the rear locator screw and adjust the position of the fence in the groove on the fence until it sets the fence face parallel to the blade. Make sure you measure from the fence face to the front and back of the blade to ensure alignment.
3. Tighten the locator screw and repeat on the left side of the blade.
4. Check rip scale adjustment.

### BEVEL STOP AND POINTER ADJUSTMENT (Calibrating Bevel Scale)

Calibrating the bevel system on the saw may require two separate steps, one for the bevel scale and another for the bevel pointer. The scale should always be checked first followed by adjustments to the red pointer.

FIG. 21



### BEVEL LOCK ADJUSTMENT (FIG. 21)

The bevel lock lever (J) may need adjustment to maintain lock force.

To do this, put the lock lever in the locked position. Use a Phillips screwdriver to remove the screw (PP) holding the lock lever in place (Fig. 21). Remove the lock lever from the locking bolt and place lock lever in the desired position. Insert the screw (PP) and tighten securely.

FIG. 22

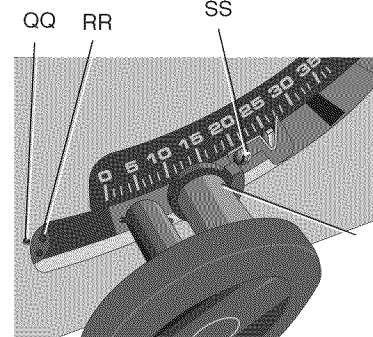
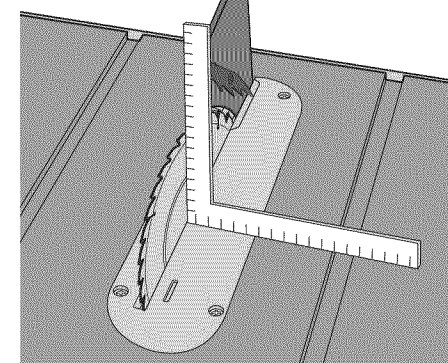


FIG. 23



### Part A – Adjusting the Bevel Scale System (Fig. 22, 23)

1. Remove the blade guard from the saw and raise the blade all the way up in the table.
2. Unlock the bevel lock lever (J) and loosen the bevel stop screw (QQ).
3. Place a square against the table and blade.  
**NOTE:** Be sure to place the square between the teeth on the blade to ensure an accurate measurement.
4. Adjust the bevel angle until the blade is flat against the square. Lock the bevel lock lever (J).
5. Move the bevel stop cam (RR) until it firmly contacts the trunnion casting. Tighten the bevel stop screw.
6. Repeat procedure at 45° using a triangle or speed square.

### Part B – Adjusting the Bevel Scale Pointer

**NOTE:** Complete this step only if Part A has been completed.

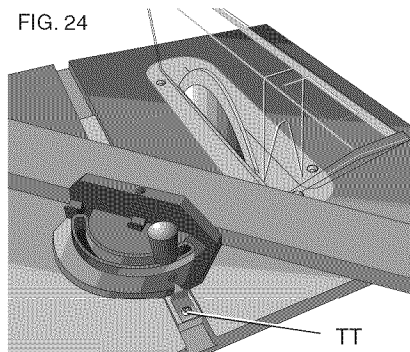
7. Check the bevel scale angle. If the pointer does not read 0°, loosen the pointer screw (SS) and move it to the 0° mark on the bevel scale. Retighten the pointer screw.

### MITER GAUGE ADJUSTMENT (Calibrating Miter Gauge Pointer)

Your miter gauge features adjustable stops at 90° and 45° left and right.

To adjust the miter gauge, loosen the screw (TT) and move to desired position. Tighten the screw against the stop plate (Fig. 24).

FIG. 24



### Saw Blades

**NOTE:** This saw is intended for the use of saw blades 10" in diameter or smaller.

**NOTE:** This saw is not intended for use with dado blades and molding cutters. Personal injury may occur.

1. The saw blade furnished with your new saw is a 10" (254 mm) combination blade, used for crosscutting (across the grain) and ripping (with the grain) through the material. The center hole to fit on the arbor is 5/8" (16 mm) diameter (.625"). This blade will produce a good quality cut for most applications.
2. There are many types of blades available to do specific and special jobs such as cross cut only, rip only, hollow ground, thin plywood, paneling, etc.
3. Use only saw blades designed for maximum safe operating speeds of 5,000 RPM or greater.
4. Saw blades should always be kept sharp. It is recommended that you locate a reputable sharpening service to sharpen your blades when needed.

### Kickback

Kickback is a dangerous condition! It is caused by the work piece binding against the blade. The result is that the work piece can move rapidly in a direction opposite to the feed direction. During kickback, the work piece could be thrown back at the operator. It can also drag the operator's hand back into the blade if the operator's hand is at the rear of the blade. If kickback occurs, turn the saw OFF and verify the proper functioning of the splitter, anti-kickback teeth and guards before resuming work.

#### ⚠WARNING:

1. Always use the guard and make certain it is in good working order. The guard's splitter helps prevent binding and the anti-kickback teeth on each side of the splitter minimize the possibility of kickback. Use extra caution until the work piece is through the splitter and has engaged anti-kickback teeth.

2. Do not saw warped, bowed or cupped wood. The work piece must have one straight, smooth side to go against the rip fence or miter gauge. The work piece must sit flat on the table without rocking.
3. Do not cut "freehand". Always use either the rip fence or the miter gauge. Never use both.
4. Use extra care when the guard assembly cannot be used (during non-through cuts).
5. Support large work pieces carefully. Allowing them to sag or droop can cause kickback.

### OPERATION

**⚠WARNING:** Before using the saw, verify the following each and every time:

1. **ALWAYS** wear proper eye, hearing and respiratory equipment.
2. Blade is tight.
3. Bevel angle and height lock knobs are tight.
4. If ripping, ensure fence lock lever is tight and fence is parallel to the blade.
5. If crosscutting, miter gauge knob is tight.
6. The blade guard is properly attached and the anti-kickback teeth are functioning.
7. **ALWAYS** inspect the guard and splitter for proper alignment operation and clearance with saw blade.

Failure to adhere to these common safety rules can greatly increase the likelihood of injury.

**⚠WARNING:** To reduce the risk of injury, turn unit off and disconnect machine from power source before installing and removing accessories, before adjusting or changing set-ups or when making repairs. An accidental start-up can cause injury.

**⚠WARNING:** Before connecting the table saw to the power source or operating the saw, always inspect the guard and splitter for proper operation alignment and clearance with saw blade. Personal injury may result.

**⚠WARNING:** Ripping or crosscutting may cause saw to tip over while operating. Make sure saw is securely mounted to a stable surface.

**⚠WARNING:** Never use the fence and miter gauge together. This may cause a kickback condition and injure the operator.

**⚠CAUTION:** If your saw makes an unfamiliar noise or if it vibrates excessively, cease operating immediately until the source has been located and the problem corrected.

**⚠CAUTION:** The proper throat plate must be in place at all times to reduce the risk of a thrown work piece and possible injury.

There are two basic types of cutting with table saws: ripping and crosscutting. Cutting with the grain is ripping and cutting against the grain is crosscutting. With manmade materials, the distinction is made such that ripping is cutting to a different width and crosscutting describes cutting material across the shorter dimension.

**⚠WARNING:** When ripping, always use the fence to provide a guide for the material and guard against a kickback situation.

**⚠CAUTION:** When crosscutting, always use the miter gauge.

### Ripping

**⚠WARNING:** Never touch the "free end" of the work piece or a "free piece" that is cut off, while the power is ON and/or the saw blade is rotating. Piece may contact the blade resulting in a thrown work piece of possible injury.

**⚠WARNING:** A rip fence should **ALWAYS** be used for ripping operations to prevent loss of control and personal injury. **NEVER** perform a ripping operation freehand. **ALWAYS** lock the fence to the rail.

**⚠WARNING:** When bevel ripping and whenever possible, place the fence on the side of the blade so that the blade is tilted away from the fence and hands. Keep hands clear of

the blade and use a push stick to feed the work piece if there is less than 6" (152 mm) between the fence and the blade.

1. Lock the rip fence by pressing the rail lock lever down. Remove the miter gauge.
2. Raise the blade so it is about 1/8" (3.2 mm) higher than the top of the work piece.
3. Hold the work piece flat on the table and against the fence. Keep the work piece about 1" (25.4 mm) away from the blade.

**CAUTION:** The work piece must have a straight edge against the fence and must not be warped, twisted or bowed. Keep both hands away from the blade and away from the path of the blade. See proper hand position in Figure 25.

4. Turn the saw on and allow the blade to come up to speed. Both hands can be used in starting the cut. When there is approximately 12" (305 mm) left to be ripped, use only one hand, with your thumb pushing the material, your index and second finger holding the material down and your other fingers hooked over the fence. Always keep your thumb along side your first two fingers and near the fence.
5. Keeping the work piece against the table and fence, slowly feed the work piece rearward all the way through the saw blade. Continue pushing the work piece until it is clear of the guard and it falls off the rear of the table. Do not overload the motor.
6. Never try to pull the work piece back with the blade turning. Turn the switch off, allow the blade to stop, raise the anti-kickback teeth on each side of the splitter if necessary and slide the work piece out.
7. When sawing a long piece of material or a panel, always use a work support. A sawhorse, rollers, or out feed assembly provides adequate support for this purpose. The work support must be at the same height as the saw table.

**CAUTION:** Never push or hold onto the "free" or "cut off" side of the work piece.

## Bevel Ripping

This operation is the same as ripping except the bevel angle is set to an angle other than zero degrees.

**WARNING:** Before connecting the table saw to the power source or operating the saw, always inspect the guard and splitter for proper alignment and clearance with saw blade. Check alignment after each change of bevel angle.

## RIPPING SMALL PIECES

It is unsafe to rip small pieces. It is not safe to put your hands close to the blade. Instead, rip a larger piece to obtain the desired piece. When a small width is to be ripped and the hand cannot be safely put between the blade and the rip fence, use one or more push sticks. A pattern is included at the end of this manual to make push sticks. A push stick (U) is included with this saw, located on the right-side panel. Use the push stick(s) to hold the work piece against the table and fence, and push the work piece fully past the blade. See Figure 26.

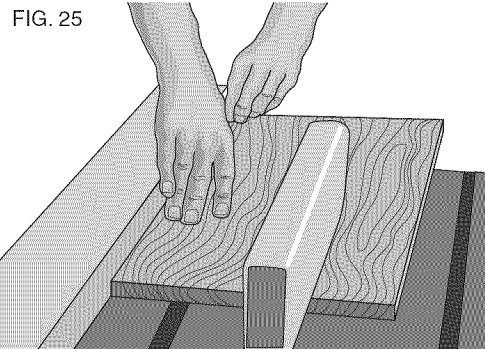


FIG. 25

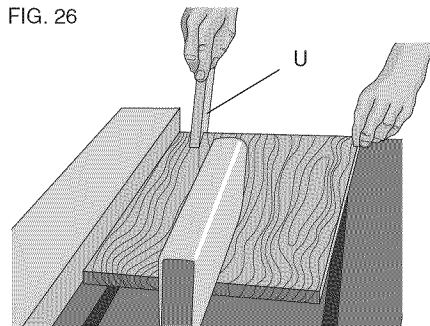


FIG. 26

## Crosscutting

**WARNING:** NEVER touch the "free end" of the work piece or a "free piece" that is cut off, while the power is ON and/or the saw blade is rotating. Piece may contact the blade resulting in a thrown work piece and possible injury.

**WARNING:** To reduce the risk of injury, NEVER use the fence as a guide or length stop when crosscutting.

**WARNING:** NEVER use a length stop on the free end of the work piece when crosscutting. In short, the cut-off piece in any through-sawing (cutting completely through the work piece) operation must never be confined — it must be allowed to move away from saw blade to prevent contact with blade resulting in a thrown work piece and possibly injury.

**WARNING:** Use caution when starting the cut to prevent binding of the guard against the work piece resulting in damage to saw and possible injury.

**CAUTION:** When using a block as a cut-off gauge, the block must be at least 3/4" (19 mm) thick and is very important that the rear end of the block be positioned so the work piece is clear of the block before it enters the blade to prevent contact with blade resulting in a thrown work piece and possibly injury.

1. Remove the rip fence and place the miter gauge in the desired slot.
2. Adjust the blade height so that the blade is about 1/8" (3.2 mm) higher than the top of the work piece.
3. Hold the work piece firmly against the miter gauge with the path of the blade in line with the desired cut location. Keep the work piece an inch or so in front of the blade. **KEEP BOTH HANDS AWAY FROM THE BLADE AND THE PATH OF THE BLADE** (Fig. 27).
4. Start the saw motor and allow the blade to come up to speed.
5. While using both hands to keep the work piece against the face of the miter gauge, and holding the work piece flat against the table, slowly push the work piece through the blade. See Figure 27.
6. Never try to pull the work piece with the blade turning. Turn the switch off, allow the blade to stop, and carefully slide the work piece out.

**CAUTION:** Never touch or hold onto the "free" or "cut off" end of the work piece.

## Bevel Crosscutting

This operation is the same as crosscutting except that the bevel angle is set to an angle other than 0°. For proper hand position, refer to Figure 28.

**WARNING:** Before connecting the table saw to the power source or operating the saw, always inspect the guard and splitter for proper alignment and clearance with saw blade. Check alignment after each change of bevel angle.

FIG. 27

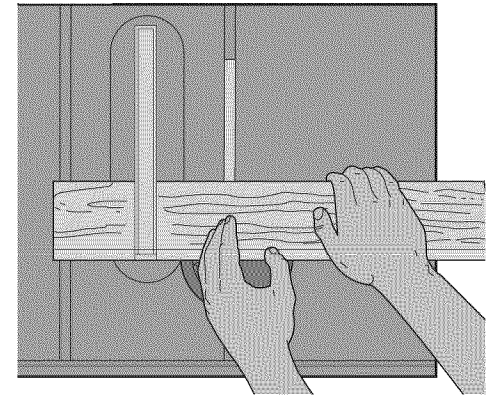
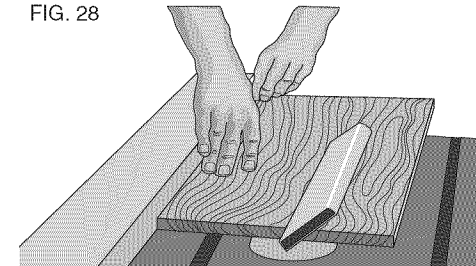


FIG. 28



## Mitering

**⚠WARNING:** Miter angles greater than 45° may force the guard into the saw blade causing damage to the guard and personal injury. Before starting the motor, test the operation by feeding the work piece into the guard. If the guard contacts the blade, place the work piece under the guard, not touching the blade, before starting the motor.

**⚠CAUTION:** Certain work piece shapes, such as molding may not lift the guard properly. Feed the work piece slowly to start the cut. If the guard contacts the blade, place the work piece under the guard, not touching the blade, before starting the motor.

This operation is the same as crosscutting except the miter gauge is locked at an angle other than 0°. Hold the work piece FIRMLY against the miter gauge and feed the work piece slowly into the blade (to prevent the work piece from moving). See Figure 29.

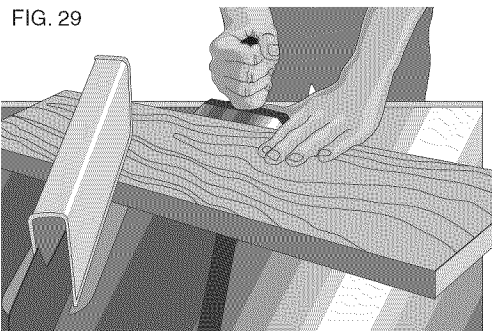


FIG. 29

## Miter Gauge Operation

To set your miter gauge, loosen the lock handle and move the miter gauge to the desired angle.

## Compound Mitering

This is a combination of bevel crosscutting and mitering. Follow the instructions for both bevel crosscutting and mitering.

## Dust Collection

Your table saw is equipped with a dust shroud and dust collection port. For best results, connect a vacuum to the port at the rear of the saw.

After extended use, the saw's dust collection system may become clogged. To clear the dust collection system:

1. Unplug the saw.
2. Turn the saw on its side, so the bottom, open part of the unit is accessible.
3. Open the dust access door (UU) shown in Figure 30 by removing the wing screws (VV). Clean out the excess dust, and re-secure the access door with the wing screws.

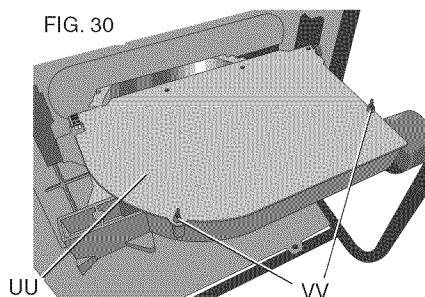


FIG. 30

## Lubrication

1. All motor bearings are permanently lubricated at the factory and no additional lubrication is needed.
2. The height adjustment gear may require periodic cleaning and lubrication (Fig. 31). If you have difficulty raising or lowering the blade, contact a DEWALT authorized service center.

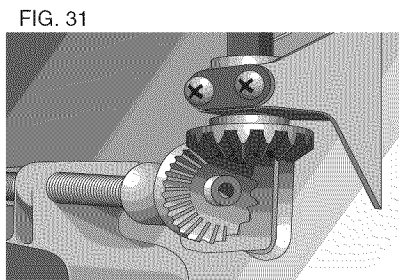


FIG. 31

## Accessories

**⚠WARNING:** Since accessories, other than those offered by DEWALT, have not been tested with this product, use of such accessories with this tool could be hazardous. To reduce the risk of injury, only DEWALT recommended accessories should be used with this product.

If you need assistance in locating any accessory, please contact DEWALT Industrial Tool Co., 701 East Joppa Road, Baltimore, MD 21286, call 1-800-4-DEWALT (1-800-433-9258) or visit our website [www.dewalt.com](http://www.dewalt.com).

## MAINTENANCE

**⚠WARNING:** To reduce the risk of injury, turn unit off and disconnect machine from power source before installing and removing accessories, before adjusting or changing set-ups or when making repairs. An accidental start-up can cause injury.

## Cleaning

**⚠WARNING:** When cleaning, use only mild soap and a damp cloth on plastic parts. Many household cleaners contain chemicals which could seriously damage plastic. Also, do not use gasoline, turpentine, lacquer or paint thinner, dry cleaning fluids or similar products which may seriously damage plastic parts. Never let any liquid get inside the tool; never immerse any part of the tool into a liquid.

## Repairs

To assure product SAFETY and RELIABILITY, repairs, maintenance and adjustment (including brush inspection and replacement) should be performed by a DEWALT factory service center, a DEWALT authorized service center or other qualified service personnel. Always use identical replacement parts.

## Three Year Limited Warranty

DEWALT will repair, without charge, any defects due to faulty materials or workmanship for three years from the date of purchase. This warranty does not cover part failure due to normal wear or tool abuse. For further detail of warranty coverage and warranty repair information, visit [www.dewalt.com](http://www.dewalt.com) or call 1-800-4-DEWALT (1-800-433-9258). This warranty does not apply to accessories or damage caused where repairs have been made or attempted by others. This warranty gives you specific legal rights and you may have other rights which vary in certain states or provinces.

In addition to the warranty, DEWALT tools are covered by our:

### 1 YEAR FREE SERVICE

DEWALT will maintain the tool and replace worn parts caused by normal use, for free, any time during the first year after purchase.

### 90 DAY MONEY BACK GUARANTEE

If you are not completely satisfied with the performance of your DEWALT Power Tool, Laser, or Nailer for any reason, you can return it within 90 days from the date of purchase with a receipt for a full refund – no questions asked.

**LATIN AMERICA:** This warranty does not apply to products sold in Latin America. For products sold in Latin America, see country specific warranty information contained either in the packaging, call the local company or see website for warranty information.

**FREE WARNING LABEL REPLACEMENT:** If your warning labels become illegible or are missing, call 1-800-4-DEWALT for a free replacement.

**⚠ DANGER/PELIGRO**

KEEP HANDS AWAY FROM BLADE.  
MANTENGA MANOS LEJOS DE HOJA.  
GARDER DES MAINS LOIN DE LA LAME.



**DW745** BLADE 10",  
250mm

NOTE: USE 120 VOLT,  
15 AMP BRANCH CIRCUIT  
AND USE 15 AMP  
TMC-DELAY FUSE.

SER. [REDACTED]

**⚠ WARNING** TO REDUCE THE RISK OF INJURY, READ AND UNDERSTAND INSTRUCTION MANUAL BEFORE OPERATING SAW. ALWAYS USE PROPER EYE AND RESPIRATORY PROTECTION. DO NOT WEAR GLOVES, NECKTIES, JEWELRY OR LOOSE CLOTHING. CONTAIN LONG HAIR. KEEP HANDS OUT OF THE LINE OF SAW BLADE - USE EXTRA CAUTION WHEN BEVELING. USE SAW-BLADE GUARD AND SPLITTER FOR EVERY OPERATION FOR WHICH IT CAN BE USED, INCLUDING ALL THROUGH SAWING. USE A "PUSH STICK" WHEN REQUIRED. KNOW HOW TO REDUCE THE RISK OF KICKBACKS - SEE MANUAL. ALWAYS SUPPORT WORK WITH TABLE AND FENCE OR MITER GAUGE. DO NOT PERFORM ANY OPERATION FREE HAND. USE FENCE WHEN RIPPING AND MITER GAUGE WHEN CROSSCUTTING. NEVER USE TOGETHER. NEVER REACH AROUND OR OVER SAW BLADE. SECURELY MOUNT SAW BLADE BEFORE OPERATING. NEVER REMOVE JAMMED OR CUT-OFF PIECES UNTIL POWER IS OFF AND BLADE HAS STOPPED. LOCK BEVEL ADJUSTMENT BEFORE OPERATION. SECURE TOOL PROPERLY TO PREVENT UNEXPECTED MOVEMENT. DO NOT OPERATE THIS MACHINE WHILE UNDER THE INFLUENCE OF ALCOHOL OR DRUGS. FAILURE TO COMPLY WITH THESE WARNINGS MAY RESULT IN SERIOUS PERSONAL INJURY.

U.S. PAT. NO. 5,722,308; 5,857,507; 5,875,698; 5,927,857; 5,979,523; 6,148,703; 6,244,149; 6,357,328; 6,386,747; 6,394,071; 6,395,322; 6,397,344; 6,400,217; 6,407,725; 6,410,474; 6,414,786; 6,445,119 OTHER PATENTS PENDING.  
DEWALT INDUSTRIAL TOOL CO., BALTIMORE MD, 21286 U.S.A.  
FOR SERVICE INFORMATION, CALL 1-800-4-DEWALT [www.DeWALT.com](http://www.DeWALT.com)

**⚠ ADVERTENCIA** POR SU PROPIA SEGURIDAD, LEA EL MANUAL DE INSTRUCCIONES ANTES DE OPERAR LA SIERRA. SIEMPRE SE DEBERÁ LLEVAR LA PROTECCIÓN APROPIADA PARA LA VISTA Y PARA LAS VÍAS RESPIRATORIAS. NO UTILICE GUANTES, CORBATAS, ALHAGARS O ROPA HOLLADA. SUJETE EL CABELLO LARGO. MANTENGA LAS MANOS FUERA DE LA LÍNEA DE LA HOJA DE LA SIERRA. TENGA MUCHO CUIDADO AL REALIZAR EL BISELADO. USE EL PROTECTOR DE LA HOJA DE LA SIERRA Y EL HENDEDOR EN TODAS LAS OPERACIONES EN LAS QUE PUEDE, INCLUIDO EN TODOS LOS CORTES CON SIERRA. USE UN "EMPUJADOR" SIEMPRE QUE SEA NECESARIO. LEA EL MANUAL PARA OBTENER INFORMACIÓN SOBRE CÓMO REDUCIR EL RIESGO DE RETROCESOS. SIEMPRE SOSTIENGA EL TRABAJO CON UNA MESA Y UNA GUÍA O CALIBRE ANGOSTADOR. NO REALICE NINGUNA OPERACIÓN SIN LAS MANOS. USE LA GUÍA AL HACER CORTES LONGITUDINALES Y EL CALIBRADOR DE ANCHURA AL HACER CORTES TRANSVERSALES. NUNCA USE AMBOS A LA VEZ. NUNCA INTENTE ALCANZAR ADELANTE SOBRE LA HOJA DE LA SIERRA. CONECTE LA HOJA DE LA SIERRA CON SEGURIDAD ANTES DE OPERARLA. NUNCA QUITE PIEZAS ATASCADAS O CONTORNOS SIN QUE LA HERRAMIENTA ESTÉ APAGADA Y LA HOJA SE HAYA DETENIDO. TRABE EL AJUSTE DEL BISEL ANTES DE USAR LA HERRAMIENTA. FIE LA HERRAMIENTA CORRECTAMENTE PARA EVITAR QUE SE MUEVA INDESEADAMENTE. NO OPERE ESTE MAQUINA SI ESTÁ BAJO LOS EFECTOS DEL ALCOHOL O DROGAS. EL INCUMPLIMIENTO DE ESTAS ADVERTENCIAS PODRÍA CAUSAR LESIONES PERSONALES.

**⚠ AVERTISSEMENT** POUR VOTRE PROPRE SÉCURITÉ, LIRE LE MODE D'EMPLOI AVANT D'UTILISER LA SCIE. IL FAUT TOUJOURS PORTER DE L'ÉQUIPEMENT DE PROTECTION OCULAIRE ET RESPIRATOIRE APPROPRIÉ. NE PAS PORTER DE GANTS, DE CRAVATE, DE BLOUX OU DE VÊTEMENTS AMPLES. ATTACHER LES CHEVEUX LONGS. GARDER LES MAINS HORS DE LA TRAJECTOIRE DE LA LAME DE LA SCIE. ÉTRES TRES PRUDENT POUR LE BISELAGE. UTILISER UN PARE-MAIN ET UN DISPOSITIF D'ÉCARTEMENT POUR TOUTES LES OPÉRATIONS DEMANDANT SON UTILISATION. Y COMPRIS TOUT DÉBITAGE COMPLET. UTILISER UN « POUSSOIR » ET/OU UN LIÈU. CONNAÎTRE LES TECHNIQUES POUR RÉDUIRE LE RISQUE ASSOCIÉ À L'EFFET DE REBOND - CONSULTER LE MODE D'EMPLOI. TOUJOURS SOUTENIR LA PIÈCE AVEC LA TABLE ET LE COURBÉ OU AVEC LA GAUCHE À ANGLE. EFFECTUER TOUTE OPÉRATION EN TIRANT L'OUTIL DES DEUX MAINS. UTILISER LE COURBÉ LONGITUDINAL POUR LE SCAGE EN LONG ET LA GAUCHE À ANGLE POUR LE TRONÇONNAGE. NE JAMAIS UTILISER LES DEUX SYSTÈMES SIMULTANÉMENT. NE JAMAIS SE PENCHER PRES DE LA LAME OU AU-DESSUS DE CELLE-CI. BIEN FIXER LA LAME DE SCIE AVANT D'UTILISER L'OUTIL. NE JAMAIS RETIRER UNE PIÈCE COINCÉE OU COUPÉE TANT QUE L'OUTIL N'A PAS ÉTÉ MIS HORS TENSION ET QUE LA LAME N'A PAS CESSÉ DE TOURNER. RÉGLER LE BISEL AVANT L'UTILISATION. BIEN FIXER L'OUTIL POUR ÉVITER TOUT DÉPLACEMENT INATTENDU. NE PAS UTILISER CET OUTIL SOUS L'EMPRESE DE L'ALCOHOL OU DE DROGUE. NÉGLIGER DE SE CONFORMER À CES AVERTISSEMENTS RISQUE DE PROVOQUER DES BLESSURES GRAVES.

**⚠ WARNING**

TO PREVENT KICKBACK, USE THE BLADE GUARD AND SPLITTER FOR ALL THROUGH SAWING. KEEP HANDS OUT OF THE LINE OF THE SAWBLADE. USE A PUSHSTICK AND FEATHERBOARDS WHEN REQUIRED.

**⚠ ADVERTENCIA**

PARA PREVENIR EL RETROCESO, UTILICE EL PROTECTOR DE LA HOJA Y EL HENDEDOR PARA TODOS LOS CORTES CON SIERRA. MANTENGA LAS MANOS ALEJADAS DEL TRAYECTO DE LA HOJA DE LA SIERRA. UTILICE LA VARA PARA EMPUJAR Y TABLAS DE CANTO BISELADO CUANDO SEA NECESARIO.

**⚠ AVERTISSEMENT**

POUR EMPÊCHER TOUT EFFET DE REBOND, UTILISER LE PARE-MAIN ET LE COUPEAU SÉPARATEUR POUR TOUT DÉBITAGE COMPLET. GARDER LES MAINS HORS DE LA TRAJECTOIRE DE LA LAME DE LA SCIE. UTILISER UN POUSSOIR ET DES PLANCHES EN ÉVENTAIL AU BESOIN.

## Définitions : lignes directrices en matière de sécurité

Les définitions ci-dessous décrivent le niveau de danger pour chaque mot-indicateur employé. Veuillez lire le mode d'emploi et porter une attention particulière à ces symboles.

**⚠ DANGER** : indique une situation dangereuse imminente qui, si elle n'est pas évitée, causera la mort ou des blessures graves.

**⚠ AVERTISSEMENT** : indique une situation potentiellement dangereuse qui, si elle n'est pas évitée, pourrait se solder par un décès ou des blessures graves.

**⚠ MISE EN GARDE** : indique une situation potentiellement dangereuse qui, si elle n'est pas évitée pourrait se solder par des blessures mineures ou modérées.

**MISE EN GARDE** : utilisé sans le symbole d'alerte à la sécurité, indique une situation potentiellement dangereuse qui, si elle n'est pas évitée pourrait se solder par des dommages à la propriété.

## CONSERVER CES DIRECTIVES

### Règles de sécurité générales

**⚠ AVERTISSEMENT** : lire toutes les directives avant d'utiliser le produit. Tout manquement aux directives suivantes pose des risques de choc électrique, d'incendie et/ou de blessure grave.

## CONSERVER CES DIRECTIVES

**⚠ AVERTISSEMENT** : SUIVRE TOUS LES CODES DE CÂBLAGE et les branchements électriques recommandés afin d'éviter tout choc électrique ou électrocution.

### Directives relatives à la mise à la terre

Si la scie est mise à la terre (intégré), lire les directives suivantes.

**⚠ DANGER** : RISQUE D'ÉLECTROCUTION. LE PRÉSENT APPAREIL DOIT ÊTRE MIS À LA TERRE LORS DE SON UTILISATION. DE GRAVES BLESSURES PEUVENT SURVENIR.

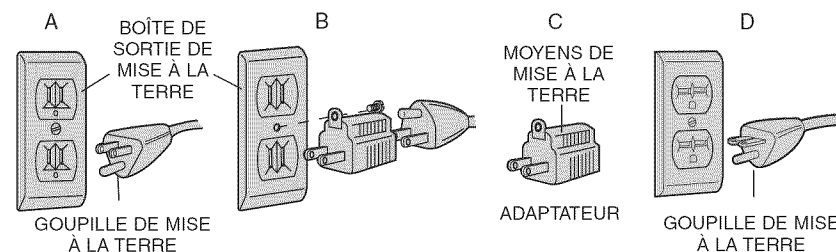
### POUR TOUS LES APPAREILS MIS À LA TERRE, BRANCHÉS À UN CORDON D'ALIMENTATION :

En cas de défaillance ou de panne, la mise à la terre permet un cheminement de moindre résistance pour le courant électrique afin de réduire le risque de choc électrique. Cet appareil est muni d'un cordon d'alimentation doté d'un conducteur de mise à la terre d'équipement et d'une fiche de mise à la terre. La fiche doit être branchée sur une prise de courant correspondant qui est installée et mise à la terre conformément à tous les codes et à toutes les ordonnances à l'échelle locale. Ne pas modifier la fiche fournie; si elle ne s'insère pas dans la prise de courant, faire installer une prise appropriée par un électricien professionnel. Si le conducteur de mise à la terre d'équipement n'est pas correctement connecté, ceci peut provoquer un choc électrique. Le conducteur de mise à la terre d'équipement est le conducteur avec isolation qui a une surface extérieure verte avec ou sans rayures jaunes. S'il est nécessaire de faire réparer ou remplacer le cordon électrique ou la fiche, ne pas connecter le conducteur de mise à la terre d'équipement à une borne sous tension. Vérifier auprès d'un électricien ou d'un personnel de réparation professionnel si les directives de mise à la terre ne sont pas parfaitement comprises ou en cas de doute sur le fait que l'appareil soit correctement mis à la terre ou non. Utiliser uniquement une rallonge à 3 fils pourvue d'une fiche de mise à la terre à 3 lames et une

prise à 3 conducteurs correspondant à la fiche de l'appareil comme le montre la fig. A. Réparer ou remplacer immédiatement le cordon s'il est endommagé ou usé.

### POUR LES APPAREILS MIS À LA TERRE ET BRANCHÉS À UN CORDON D'ALIMENTATION UTILISÉ SUR UN CIRCUIT D'ALIMENTATION DE RÉGIME NOMINAL INFÉRIEUR À 150 V :

Si l'appareil est utilisé sur un circuit dont la prise de courant ressemble à celle de la fig. A, il aura alors une fiche de mise à la terre semblable à celle de la fig. A. Un adaptateur temporaire, qui ressemble à celui de la fig. B, peut être utilisé pour connecter cette fiche à une prise à 2 conducteurs, comme le montre la fig. B, s'il n'existe aucune prise de courant correctement mise à la terre. L'adaptateur temporaire ne doit être utilisé que jusqu'à ce qu'un électricien qualifié puisse installer une prise électrique correctement mise à la terre. La patte rigide verte, la cosse et tout élément semblable sortant de l'adaptateur doivent être correctement branchés à une masse permanente comme une boîte de sortie mise à la terre. Chaque fois que l'adaptateur est utilisé, il doit être maintenu en place par une vis métallique.



**REMARQUE** : Au Canada, l'utilisation d'un adaptateur temporaire n'est pas autorisée par le Code électrique canadien.

**⚠ DANGER**: DANS TOUS LES CAS, S'ASSURER QUE LA PRISE DE COURANT EN QUESTION EST CORRECTEMENT MISE À LA TERRE. EN CAS DE DOUTE, DEMANDER À UN ÉLECTRICIEN PROFESSIONNEL DE VÉRIFIER LA PRISE.

### Double isolation

Si la scie est à double isolation, lire les directives suivantes.

Les outils à double isolation comportent partout deux couches d'isolant électrique séparées ou une double épaisseur de matériau isolant entre l'opérateur et le système électrique de l'outil. Les outils comportant ce système d'isolation ne sont pas conçus pour être mis à la terre. Votre outil est donc doté d'une prise à deux broches qui vous permet d'utiliser des cordons d'alimentation sans vous soucier de maintenir une connexion à la terre. Réparer ou remplacer immédiatement le cordon s'il est endommagé ou usé.

**REMARQUE** : la double isolation ne remplace pas les précautions normales de sécurité lors de l'utilisation de cet outil. Le système d'isolation sert à apporter une protection accrue contre toute blessure résultant d'une défaillance d'isolation électrique au sein de l'outil.

### FICHES POLARISÉES

Pour réduire le risque de chocs électriques, le présent appareil comporte une fiche polarisée (une broche est plus large que l'autre). Cette fiche ne se branche que d'une seule façon dans une prise de courant polarisée. Si la fiche ne s'insère pas totalement dans la prise de courant, l'inverser. Si elle ne s'insère toujours pas dans la prise, demander à un électricien compétent d'installer une fiche polarisée. Ne pas remplacer la fiche.

### Directives de sécurité importantes

- POUR RÉDUIRE LE RISQUE D'EFFET DE REBOND, CONSERVER LES DISPOSITIFS DE PROTECTION EN PLACE et en bon état de fonctionnement.

- **RETIRER LES CLÉS À MOLETTE ET LES CLÉS DE RÉGLAGE.** S'habituer à vérifier si les clés à molette et les clés de réglage sont retirées de la broche avant de mettre l'outil sous tension. Des outils, chutes, et autres débris peuvent être projetés à grande vitesse, provoquant des blessures.
- **GARDER LA ZONE DE TRAVAIL PROPRE.** Les zones et établis encombrés sont souvent des causes d'accidents.
- **NE PAS UTILISER LE PRÉSENT APPAREIL DANS UN ENVIRONNEMENT DANGEREUX.** L'utilisation d'outils électriques dans un endroit humide ou mouillé ou sous la pluie peut provoquer un choc électrique ou une électrocution. Tenir la zone de travail bien éclairée pour éviter de trébucher ou de mettre vos bras, mains et doigts en danger.
- **TENIR LES ENFANTS À L'ÉCART.** Tous les visiteurs doivent se trouver à une distance sûre de la zone de travail. L'atelier représente un environnement potentiellement dangereux.
- **S'ASSURER QUE L'ATELIER NE PRÉSENTE PAS DE DANGER POUR LES ENFANTS** en utilisant des cadenas, des interrupteurs principaux ou en retirant les clés de démarrage. Le démarrage non autorisé d'un appareil par un enfant ou un visiteur pourrait se solder par des blessures.
- **NE PAS FORCER L'OUTIL.** Le travail sera mieux accompli et sera moins dangereux au rythme prévu pour l'appareil.
- **UTILISER L'OUTIL APPROPRIÉ.** Ne pas forcer un outil ou un accessoire à accomplir un travail pour lequel il n'a pas été conçu. L'utilisation de l'outil ou de l'accessoire de façon incorrecte pourrait se solder par des blessures corporelles.
- **UTILISER LA RALLONGE APPROPRIÉE.** S'assurer que la rallonge est en bon état. Si le produit est doté d'un cordon d'alimentation, utiliser uniquement une rallonge à 3 fils pourvue d'une fiche de mise à la terre à 3 lames et une prise à 3 fentes correspondant à la fiche de l'outil. Lorsque qu'une rallonge électrique est utilisée, s'assurer d'en utiliser une de calibre suffisamment élevé pour assurer le transport du courant nécessaire au fonctionnement de l'appareil. Un cordon de calibre inférieur causera une chute de tension de ligne et donc une perte de puissance et une surchauffe. Le tableau suivant indique le calibre approprié à utiliser selon la longueur du cordon et l'intensité nominale de la plaque signalétique. En cas de doute, utiliser le calibre suivant le plus gros. Plus le numéro de calibre est petit, plus le cordon est lourd.

#### CALIBRE MINIMUM POUR RALLONGE

Volts	Longueur totale de la rallonge en pieds				
120 V	0-25	26-50	51-100	101-150	
240 V	0-50	51-100	101-200	201-300	
Intensité nominale		AWG			
Plus de	Pas plus de				
0 - 6	18	16	16	14	
6 - 10	18	16	14	12	
10 - 12	16	16	14	12	
12 - 16	14	12	Non recommandé		

- **PORTER LES VÊTEMENTS APPROPRIÉS.** Ne pas porter ni vêtement ample, ni gant, ni cravate, ni bague, ni bracelet, ni autre bijou, car ces derniers pourraient s'enchevêtrer dans des pièces mobiles. Des souliers antidérapants sont recommandés. Se couvrir les cheveux s'ils sont longs. Se tenir éloigné des événements, car ces derniers pourraient camoufler des pièces mobiles.
- **TOUJOURS PORTER DES LUNETTES DE SÉCURITÉ.** Les lunettes de vue ne constituent PAS des lunettes de sécurité. Utiliser également un masque facial ou anti-

poussière si l'opération de découpe génère de la poussière. TOUJOURS porter un équipement de protection homologué :

- protection oculaire conforme à la norme ANSI Z87.1 (CAN/CSA Z94.3);
- protection auditive ANSI S12.6 (S3.19) et;
- protection des voies respiratoires conformes aux normes NIOSH/OSHA/MSHA.
- **NE PAS TROP TENDRE LES BRAS.** Conserver son équilibre en tout temps. Une perte d'équilibre risquerait d'entraîner une blessure corporelle.
- **PRENDRE SOIN DES OUTILS.** S'assurer que les lames sont aiguisées et propres afin d'optimiser sécurité et performance. Suivre les consignes de graissage et de changement d'accessoires. Les lames et les appareils mal entretenus peuvent s'endommager davantage et/ou provoquer des blessures.
- **ÉTEINDRE L'APPAREIL ET COUPER LE COURANT** avant d'installer ou de retirer des accessoires, avant tout réglages ou modifications de celles-ci, lors de réparation ou de déplacements de l'appareil. Lors du branchement/débranchement de la fiche, prendre garde de ne pas toucher à ses lames métalliques. Un démarrage accidentel peut provoquer des blessures.
- **RÉDUIRE LE RISQUE DE DÉMARRAGE ACCIDENTEL.** S'assurer que l'interrupteur se trouve sur la position d'arrêt avant de brancher le cordon d'alimentation. En cas de panne de courant, mettre l'interrupteur sur la position d'arrêt. Un démarrage accidentel peut provoquer des blessures.
- **UTILISATION DES ACCESSOIRES RECOMMANDÉS.** N'utiliser que les accessoires conseillés par le fabricant pour le modèle de votre outil. Des accessoires qui conviennent à un outil pourraient être dangereux lorsqu'ils sont utilisés avec un autre outil. Une liste des accessoires recommandés se trouve dans le mode d'emploi. L'utilisation d'accessoires inappropriés peut entraîner un risque de blessure corporelle.
- **NE JAMAIS SE TENIR SUR L'OUTIL.** Une blessure grave pourrait se produire en cas de basculement de l'outil ou de démarrage accidentel de l'outil de découpe.
- **VÉRIFIER QUE LES PIÈCES NE SONT PAS ENDOMMAGÉES.** Avant toute utilisation ultérieure de l'outil, un protège-lame (ou une autre pièce) endommagé doit être soigneusement examiné afin de déterminer s'il fonctionnera correctement et s'il remplira sa fonction prévue – vérifier l'alignement des pièces mobiles, la présence de grippage des pièces mobiles, la rupture de pièces, la fixation et tout problème pouvant nuire au fonctionnement de l'outil. Un protège-lame (ou toute autre pièce) endommagé doit être réparé et remplacé adéquatement. Ne pas utiliser l'outil si l'interrupteur ne fonctionne pas. Les pièces endommagées peuvent contribuer à endommager davantage l'appareil et/ou provoquer des blessures corporelles.
- **DIRECTION DE L'AVANCEMENT DE LA PIÈCE.** Acheminer la pièce dans une lame ou un couteau uniquement à contre-courant de la rotation de la lame ou du couteau.
- **NE JAMAIS LAISSER L'OUTIL FONCTIONNER SANS SURVEILLANCE. ÉTEINDRE L'APPAREIL.** Ne pas laisser l'outil tant qu'il n'est pas complètement arrêté. De graves blessures pourraient survenir.
- **NE PAS UTILISER D'OUTILS ÉLECTRIQUES À PROXIMITÉ DE LIQUIDES INFLAMMABLES OU DANS UNE ATMOSPHÈRE GAZEUSE OU EXPLOSIVE.** Les moteurs et interrupteurs des outils pourraient provoquer des étincelles et enflammer des vapeurs.
- **ÊTRE VIGILANT, SURVEILLER LE TRAVAIL EFFECTUÉ, ET FAIRE PREUVE DE JUGEMENT. NE PAS UTILISER L'APPAREIL EN CAS DE FATIGUE OU SOUS L'INFLUENCE DE DROGUES, D'ALCOOL, OU DE MÉDICAMENTS.** Un moment d'inattention, durant l'utilisation d'un outil électrique, peut se solder par des blessures corporelles graves.
- **NE PAS LAISSER UNE BONNE CONNAISSANCE DE L'OUTIL (ACQUISE PAR L'UTILISATION FRÉQUENTE DE LA SCIE) PRENDRE PRÉCÉDENCE SUR LES**

**RÈGLES DE SÉCURITÉ.** Toujours se souvenir qu'une fraction de seconde d'imprudence est suffisante pour infliger de graves blessures.

## Règles de sécurité supplémentaires pour les scies circulaires à table

**⚠AVERTISSEMENT : TOUJOURS PORTER DES LUNETTES DE SÉCURITÉ.** Les lunettes de vue ne constituent PAS des lunettes de sécurité. Utiliser également un masque facial ou anti-poussière si l'opération de découpe génère de la poussière. Tous les utilisateurs et les personnes à proximité DOIVENT TOUJOURS utiliser un équipement de sécurité homologué :

- protection oculaire conforme à la norme ANSI Z87.1 (CAN/CSA Z94.3),
- protection auditive conforme à la norme ANSI S12.6 (S3.19) et
- protection des voies respiratoires conformes aux normes NIOSH/OSHA/MSHA.
- **ÉVITER** de placer les mains à un endroit où un glissement soudain pourrait amener la main sur la lame de la scie.
- **NE JAMAIS PASSER LES MAINS À L'ARRIÈRE OU AUTOUR DE L'OUTIL DE COUPE** pour tenir la pièce.
- **GARDER LES BRAS, LES MAINS, ET LES DOIGTS ÉLOIGNÉS** de la lame afin d'éviter des blessures graves.
- **UTILISER UN POUSSOIR OU UN BLOC-POUSSOIR ADÉQUAT POUR L'APPLICATION EN COURS, QUI PERMET D'AVANCER LES PIÈCES SUR LA LAME.** Un poussoir est un petit bâton de bois ou d'une matière non métallique, normalement fait maison, qui s'utilise pour éviter d'approcher vos mains à près de 15,2 cm (6 po) de la lame à chaque fois que la taille ou la forme de la pièce l'exige. **Utiliser des dispositifs d'ancrage, serre-joints, fixations ou planches en éventail pour mieux guider et contrôler la pièce en l'absence du guide longitudinal.** Utiliser un protège-lame et un couteau séparateur pour toutes les opérations demandant son utilisation, y compris tout débitage complet.
- **NE PAS SCIER EN LONG, EXÉCUTER DES TRONÇONNAGES OU TOUTE AUTRE OPÉRATION DE COUPE À MAINS LIBRES.**
- **NE JAMAIS** s'incliner près ou au-dessus de la lame de scie.
- **STABILITÉ.** S'assurer que le banc de scie soit fermement fixé à une surface solide et qu'il ne bouge pas avant de l'utiliser.
- **NE JAMAIS COUPER DE MÉTAUX FERREUX** (métaux contenant du fer ou de l'acier), **PANNEAU DE CIMENT OU MAÇONNERIE.** Certaines matières artificielles comportent des directives spécifiques pour la coupe sur des bancs de scie. Suivre les recommandations du fabricant en tout temps. Il sera ainsi possible de prévenir des dommages à la scie ou des blessures corporelles.
- **TOUJOURS INSÉRER LE PASSE-LAME APPROPRIÉ** pour réduire le risque de projection d'une pièce et de blessures éventuelles.
- **UTILISER LA LAME DE SCIE APPROPRIÉE POUR L'UTILISATION PRÉVUE.** La lame doit tourner vers l'avant de la scie. Toujours serrer solidement l'écrou d'axe de la lame. Avant l'utilisation, inspecter la lame pour toutes traces de fissures ou de dents manquantes. Ne pas utiliser de lame endommagée.
- **TOUJOURS ÉTEINDRE D'ABORD L'APPAREIL PUIS LE DÉBRANCHER AVANT DE DÉGAGER UNE LAME COINCÉE.** Si la pièce ou des morceaux coupés se coincent(nt) à l'intérieur du protège-lame, éteindre la scie et attendre que la lame s'immobilise avant de soulever le protège-lame pour retirer la pièce.
- **NE JAMAIS DÉMARRER L'APPAREIL** avec la pièce contre la lame afin de réduire le risque de projection de la pièce et de blessures corporelles.
- **NE JAMAIS** avancer la pièce entre le guide longitudinal et une tête de coupe pour moulure pour réduire le risque de projection de la pièce et de blessures corporelles.

- **AUCUNE partie du corps ne doit se trouver dans la trajectoire de la lame de la scie.** Il y a risque de blessures corporelles.
- **NE JAMAIS EFFECTUER D'OPÉRATIONS DE TRAÇAGE, D'ASSEMBLAGE, OU DE RÉGLAGE** sur la table/l'espace de travail lorsque l'appareil est en marche. Un glissement soudain de la pièce pourrait entraîner votre main vers la lame. Des blessures graves pourraient survenir.
- **NETTOYER LA TABLE/ESPACE DE TRAVAIL AVANT DE LAISSER L'APPAREIL.** Verrouiller l'interrupteur en position d'arrêt et débrancher l'appareil pour empêcher toute utilisation non autorisée.
- **NE PAS LAISSER une planche longue (ou une autre pièce) sans appui de sorte que l'élasticité de la planche provoque un déplacement sur la table de la scie. Un tel déplacement pourrait se solder par une perte de maîtrise et une blessure éventuelle.** Bien soutenir la pièce en fonction de sa taille et du type d'opération à exécuter. Tenir la pièce fermement contre le guide et la surface de la table.
- **NE PAS UTILISER L'APPAREIL** avant qu'il ne soit entièrement assemblé et installé conformément aux directives. Un appareil mal assemblé peut provoquer des blessures graves.
- **DEMANDER CONSEIL** à un superviseur, instructeur ou toute autre personne qualifiée si l'on ne maîtrise pas parfaitement l'utilisation de cet appareil. La connaissance est synonyme de sécurité.
- **DES INFORMATIONS SUPPLÉMENTAIRES** (c.-à-d., une vidéo sur la sécurité), indiquant comment utiliser des outils électriques correctement et en toute sécurité, sont disponibles auprès du Power Tool Institute, 1300 Sumner Avenue, Cleveland, OH 44115-2851, États-Unis ([www.powertoolinstitute.com](http://www.powertoolinstitute.com)). Des renseignements sont également disponibles auprès du National Safety Council, 1121 Spring Lake Drive, Itasca, IL 60143-3201 É.-U. Se reporter à la norme ANSI O1,1 de l'American National Standards Institute concernant les machines de travail du bois, ainsi qu'à la réglementation OSHA 1910.213. du ministère américain du travail.

### TERMINOLOGIE : LES TERMES SUIVANTS SERONT UTILISÉS DANS LE MANUEL ET VOUS DEVRIEZ VOUS FAMILIARISER AVEC CEUX-CI.

- **Débitage complet** définit une coupe de part en d'autre de la pièce.
- **Un poussoir** est un petit bâton de bois, normalement fait maison, qui s'utilise pour pousser la pièce et éviter d'approcher les mains près de la lame à chaque fois que la taille ou la forme de la pièce l'exige.
- **L'effet de rebond** se produit lorsque la lame de la scie se coince dans le trait de scie et projette violemment la pièce en direction de l'opérateur.
- **La coupe à mains libres** définit une coupe sans l'utilisation d'un guide d'onglet ou longitudinal ou tout autre mode de guidage ou de soutien de la pièce autre que les mains de l'opérateur.

### PROTÈGE-LAME ET COUPEAU SÉPARATEUR

La scie circulaire à table est dotée d'un ensemble protège-lame et couteau séparateur qui recouvre la lame et prévient tout contact accidentel. Le couteau séparateur est une plaque plane qui s'insère dans le trait de coupe formé par la lame de la scie et protège effectivement contre les rebonds en diminuant la tendance de la lame à se coincer dans le trait de scie. On utilise le couteau séparateur uniquement lors de débitage complet qui séparera deux morceaux de bois. Lors de feuillures et autres coupes qui ne traversent pas la pièce, on doit retirer l'ensemble protège-lame/couteau séparateur de la scie. Deux cliquets anti-effet de rebond sont logés sur les côtés du couteau séparateur. Ils permettent à la pièce d'avancer sur la lame, mais qui la bloque si la pièce recule en direction de l'opérateur.

### FABRICATION D'UN POUSSOIR (VERSO)

- Pour utiliser la scie circulaire à table en toute sécurité, utiliser un poussoir pour éviter d'approcher les mains à moins de 15 cm (6 po) de la lame de la scie ou d'autre organe



de coupe, à chaque fois que la taille ou la forme de la pièce l'exige. Un poussoir est inclus avec la présente scie.

- Il n'est pas obligatoire d'utiliser un bois particulier pour fabriquer des poussoirs supplémentaires en autant qu'ils soient solides et suffisamment longs. On recommande une longueur de 305 mm (12 po) avec une encoche qui s'adapte contre le bord de la pièce pour prévenir tout glissement. Il est pratique d'avoir sous la main plusieurs poussoirs de 305 mm (12 po) de long avec des encoches de différentes tailles pour s'adapter à différentes épaisseurs de pièce.
- Un poussoir est illustré dans le couvercle arrière intérieur. La forme du poussoir peut varier pour répondre à vos besoins en autant qu'il éloigne effectivement les mains de la lame.

## EFFETS DE REBOND

### Comment les éviter et se protéger de blessures éventuelles

- S'assurer que le guide longitudinal soit parallèle à la lame de la scie.
- Ne pas exécuter un sciage en long en appliquant la force sur la portion fixe qui deviendra la pièce coupée. La force d'avancement devrait toujours s'appliquer sur la portion qui repose entre la lame de la scie et le guide. Utiliser un poussoir pour les petites pièces de 152 mm (6 po) de largeur ou moins. Pour les pièces de 51 mm (2 po) de large ou moins, utiliser un dispositif de fixation spécial.
- Maintenir le protège-lame, le couteau séparateur et les dents anti-effet de rebond en position et en bon état de fonctionnement. Maintenir les dents affûtées. Si les dents ne fonctionnent pas, retourner l'appareil au centre de réparation DEWALT autorisé le plus près pour une réparation. Le couteau séparateur doit être aligné avec la lame de la scie et les dents doivent arrêter un effet de rebond une fois l'appareil amorcé. Vérifier le fonctionnement des ensembles avant le sciage en long en avançant une pièce de bois sous les dents anti-effet de rebond. Les dents doivent empêcher la projection de la pièce de bois vers l'avant de la scie.
- Il est possible de couper des matières plastiques et du composé (comme des panneaux pressés) avec la scie. Toutefois, puisque ces matières sont normalement très dures et glissantes, il est possible que les cliquets anti-effet de rebond ne puissent contenir un effet de rebond. On doit donc suivre attentivement les procédures de montage et de coupe lors de sciages en long.
- Utiliser un protège-lame et un couteau séparateur pour toutes les opérations demandant son utilisation, y compris tout débitage complet.
- Pousser la pièce au-delà de la lame de scie avant de la relâcher.
- NE JAMAIS** scier en long une pièce qui est tordue ou voilée ou qui n'a pas de bord droit pour glisser le long du guide.
- Utiliser des planches en éventail lorsque le dispositif anti-effet de rebond ou le protège-lame et le couteau séparateur ne peuvent être utilisés.
- NE JAMAIS** scier une grande pièce qui ne peut pas être contrôlée.
- NE JAMAIS** utiliser le guide comme guide ou butoir lors de tronçonnage.
- NE JAMAIS** scier une pièce à noeuds instables avec défauts, clous ou tout autre corps étranger.
- NE JAMAIS** débiter une pièce plus courte que 254 mm (10 po).

**⚠AVERTISSEMENT :** certaines poussières produites par les travaux de ponçage, sciage, meulage, perçage et autres contiennent des produits chimiques reconnus par l'État de la Californie comme pouvant causer le cancer, des anomalies congénitales ou d'autres problèmes liés aux fonctions reproductrices. Voici quelques exemples de ces produits chimiques :

- le plomb contenu dans les peintures à base de plomb,
- la silice cristalline de la brique, du ciment et d'autres produits de maçonnerie, et
- l'arsenic et le chrome provenant du bois traité chimiquement.

Les risques liés à l'exposition à ces poussières varient selon la fréquence à laquelle l'utilisateur travaille avec ce type de matériaux. Pour réduire l'exposition à ces produits chimiques : travailler dans un endroit bien ventilé et porter un équipement de sécurité approuvé comme un masque antipoussières conçu spécialement pour filtrer les particules microscopiques.

- **Éviter le contact prolongé avec les poussières produites par les activités de ponçage, sciage, meulage, perçage et autres activités de construction. Porter des vêtements de protection et laver les parties du corps exposées avec une solution d'eau et de savon.** Laisser la poussière pénétrer dans la bouche et les yeux ou la laisser reposer sur la peau, pourrait promouvoir l'absorption de produits chimiques nocifs.

**⚠AVERTISSEMENT :** l'utilisation de cet outil peut produire de la poussière et/ou la disperser, ce qui peut causer des troubles respiratoires graves et permanents et d'autres blessures. Toujours porter un appareil respiratoire approuvé par la NIOSH/OSHA pour se protéger de la poussière. Diriger les particules loin du visage et du corps. Toujours utiliser l'outil dans des endroits bien aérés et veiller à dépoussiérer correctement la zone de travail. Utiliser un système de dépoussiérage lorsque c'est possible.

## CONSERVER CES DIRECTIVES POUR UN USAGE ULTÉRIEUR

### Fiche technique

#### 15 AMPÈRES

Angle d'onglet	60° G et D	
Angle de biseautage	0° à 45° G	
Diamètre de la lame	254 mm (10 po)	
Profondeur de coupe max.	biseau de 0°	79 mm (3-1/8 po)
Profondeur de coupe max.	biseau de 45°	57 mm (2-1/4 po)
Régime, à vide	3 850 tr/min	

FIG. 1

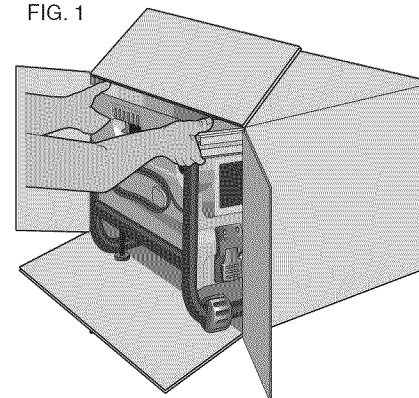
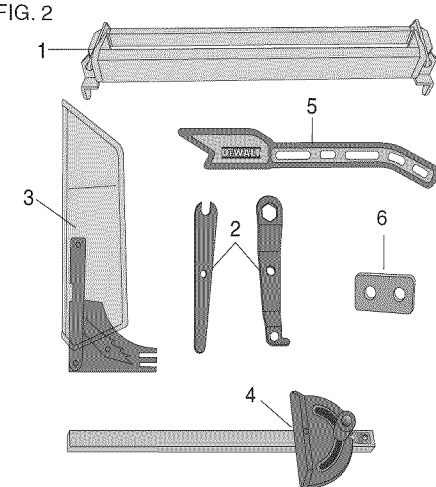


FIG. 2



### Désemballage

**⚠AVERTISSEMENT :** pour réduire le risque de blessures, ne pas brancher l'appareil à une source d'alimentation jusqu'à ce qu'il soit entièrement assemblé, ni avant d'avoir lu et assimilé l'intégralité de ce mode d'emploi.

Ouvrir la boîte et retirer la scie comme indiqué à la figure 1. Déballez soigneusement la scie circulaire à table et toutes les pièces détachées comprises dans l'emballage. Examiner toutes les pièces pour toute trace de dommages infligés en cours d'expédition. Si une ou plusieurs pièces sont manquantes ou endommagées, communiquer avec le concessionnaire pour les remplacer avant l'assemblage de l'outil.

Se reporter à la figure 2 pour la description des pièces détachées et la quincaillerie livrées avec l'outil.

1. Guide longitudinal
2. Clé pour arbre et clé pour broche (fixée à la base de la scie)
3. Protège-lame
4. Guide d'onglet
5. Poussoir (fixé à la base de la scie)
6. Cales supplémentaires pour protège-lame

### CARACTÉRISTIQUES (Fig. 3, 4)

Observer les figures 3 et 4 pour vous familiariser avec la scie et ses diverses pièces. Les sections concernant l'assemblage et les réglages renverront à ces termes et il faut savoir quelles sont les différentes pièces et où elles se trouvent.

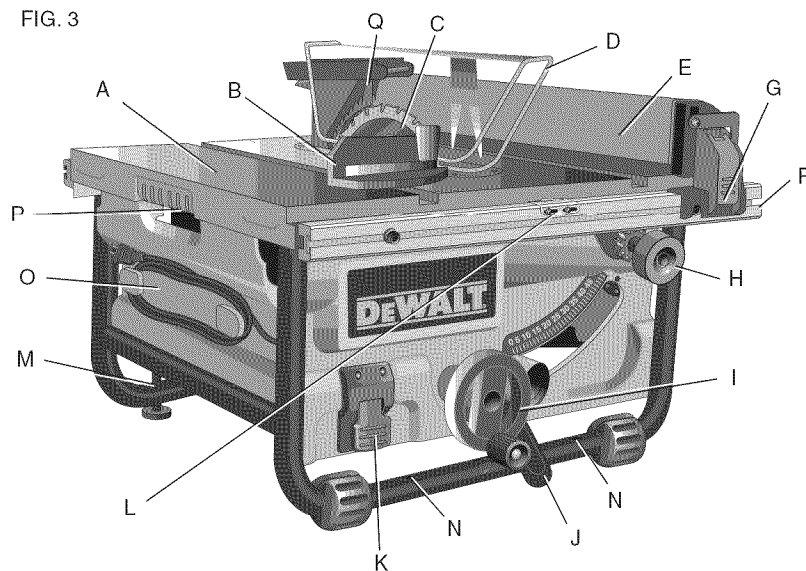
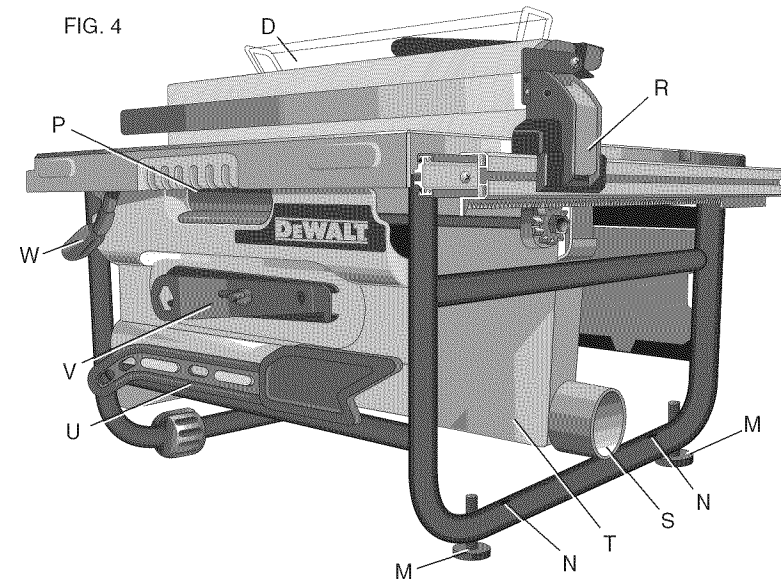


FIGURE 3

- |   |                                     |
|---|-------------------------------------|
| A. Table                                      | J. Poignée de blocage du biseau     |
| B. Guide d'onglet                             | K. Interrupteur MARCHE/ARRÊT        |
| C. Lame                                       | L. Indicateur de guide longitudinal |
| D. Protège-lame                               | M. Pieds ajustables                 |
| E. Guide                                      | N. Trous de fixation                |
| F. Barres de guidage                          | O. Rembobineur                      |
| G. Verrou avant du guide longitudinal         | P. Poignée                          |
| H. Bouton de réglage fin                      | Q. Dents anti-effet de rebond       |
| I. Volant de réglage de la hauteur de la lame |                                     |

FIGURE 4

- |   |  |
|---|--|
| R. Verrou arrière du guide longitudinal | V. Clés pour arbre et broche                 |
| S. Goulotte à poussière                 | W. Poignée de blocage de la barre de guidage |
| T. Déflecteur de poussière              |  |
| U. Poussoir                             |  |



### ASSEMBLAGE

**⚠ AVERTISSEMENT :** Risque de choc électrique. Pour réduire le risque de blessures corporelles graves, éteindre l'appareil et le débrancher avant tout déplacement, changement d'accessoires ou réglages.

#### ASSEMBLER LA SCIE DANS L'ORDRE SUIVANT ASSEMBLER LA SCIE DANS L'ORDRE SUIVANT

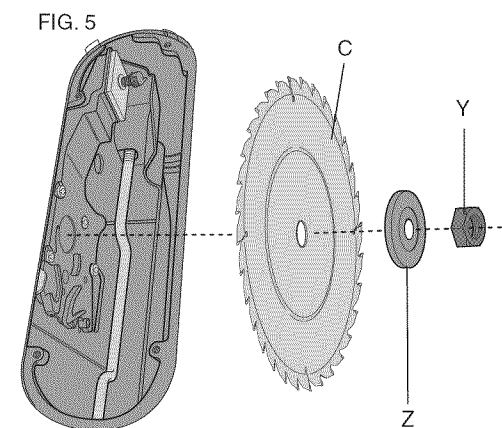
1. Guide longitudinal (**REMARQUE :** régler l'échelle pour sciage en long avant de poursuivre; se reporter à la rubrique **Réglage de l'échelle de sciage en long.**)
2. Protège-lame
3. Poussoir
4. Guide d'onglet (si exigé pour l'application)
5. Manivelle de réglage en hauteur de la lame

Les outils requis pour assembler l'appareil comprennent un tournevis Phillips (cruiforme) et les clés comprises avec la scie.

### Lame

#### FIXATION ET RETRAIT DE LA LAME

1. Tourner le volant de réglage de la hauteur de la lame (I) en sens horaire pour relever l'arbre de la scie à sa hauteur maximale.

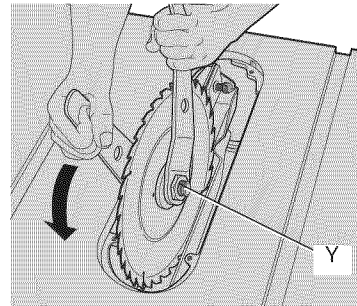


2. Dans le cas d'un remplacement de lame, retirer le protège-lame (D) et le passe-lame (X) avant d'installer la nouvelle lame. (Se reporter à la rubrique **Retrait du protège-lame** et **Retrait du passe-lame**.)

**REMARQUE :** il pourrait être plus facile de changer la lame avec la scie à un angle de 45°.

3. Retirer l'écrou de l'arbre (Y) et la rondelle de fixation extérieure (Z). Mettre à l'écart.
4. Insérer la lame (C) sur l'arbre en s'assurant que les dents de la lame pointent vers le bas et vers l'avant de la scie.
5. Placer la rondelle de fixation extérieure (Z) contre la lame, côté surélevé vers l'extérieur, puis serrer à la main l'écrou de l'arbre contre la rondelle aussi loin que possible. S'assurer que la rondelle de fixation extérieure et que l'écrou de l'arbre sont exempts de poussières et de débris avant l'insertion.
6. Pour serrer davantage l'écrou de l'arbre (Y), utiliser la clé à fourche de la broche (fournie) pour bloquer la broche (fig. 6).
7. Utiliser la clé pour arbre (fournie) pour tenir l'écrou et la serrer en tournant en sens horaire. Repositionner la clé sur l'écrou de l'arbre et poursuivre au besoin jusqu'à ce que l'écrou et la rondelle soient solidement fixés contre la lame (fig. 6).

FIG. 6



## Guide longitudinal

Le guide longitudinal s'installe du côté gauche ou droit de la scie circulaire à table.

FIG. 7

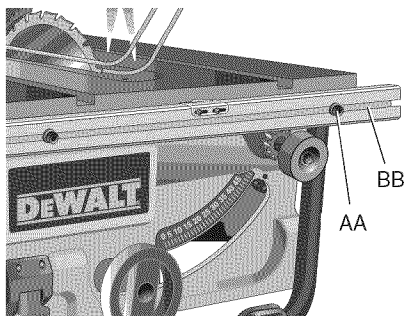
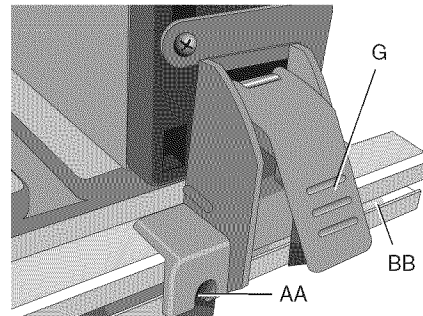


FIG. 8



### ASSEMBLAGE DU GUIDE LONGITUDINAL (FIG. 7, 8)

1. Aligner la vis de positionnement (AA) de la barre de guidage (F) avec la rainure avant du guide et aligner le verrou (G) avec l'ouverture (BB).
2. Fixer solidement le guide longitudinal en enclenchant les verrous sur les barres de guidage comme indiqué à la figure 8. S'assurer de bien enclencher les verrous avant (G) et arrière (R) en position.

## Passe-lame (fig. 9)

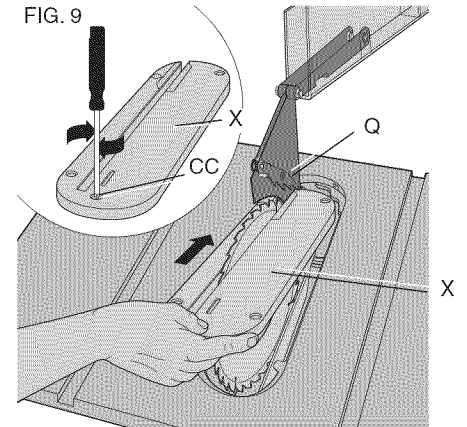
### RETRAIT DU PASSE-LAME

1. Tourner d'un quart de tour la vis de blocage de la came (CC), logée au centre avant, pour retirer le passe-lame (X) comme illustré.
2. Insérer l'extrémité recourbée de la clé pour arbre dans la rainure de la plaque. Tirer vers le haut et l'avant pour révéler l'intérieur de la scie.

### FIXATION DU PASSE-LAME

1. Aligner le passe-lame comme indiqué à la figure 9 puis insérer les onglets au dos du passe-lame dans les trous à l'arrière du banc de scie.
2. Faire pivoter la came pour dégager l'accès jusqu'à ce que l'avant du passe-lame s'imbrique en position. Fixer solidement en tournant la vis d'un quart de tour (lorsque la vis de blocage de la came est sous le banc de scie retenant le passe-lame en position) comme indiqué à la figure 9.
3. Le passe-lame comporte quatre vis de réglage qui relèvent ou abaissent celui-ci. Lorsqu'il est bien réglé, l'avant du passe-lame devrait affleurer ou être légèrement sous la surface du dessus du banc de scie, et bien fixé en position. Quant à l'arrière du passe-lame, il devrait affleurer ou dépasser légèrement le dessus du banc de scie.

FIG. 9



**⚠ MISE EN GARDE :** pour réduire le risque de blessures graves, laisser le passe-lame en position en tout temps.

## Protège-lame

### FIXATION DU PROTÈGE-LAME

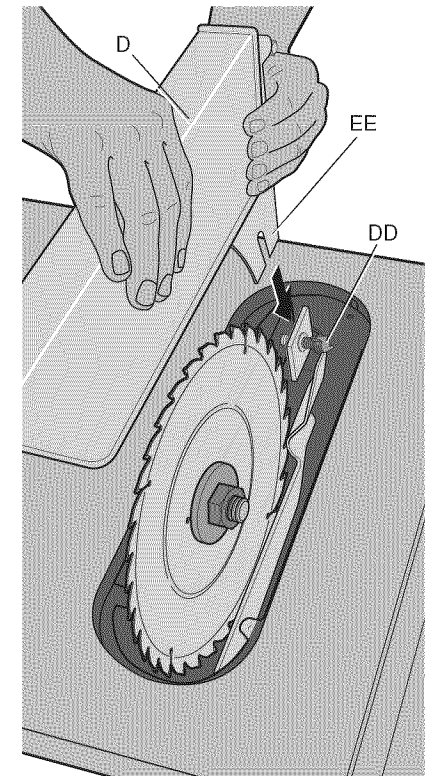
1. Retirer le passe-lame. (se reporter à la rubrique **Passe-lame**.)
2. Tourner le volant de réglage de la hauteur de la lame (I) en sens horaire pour relever l'arbre de la scie à sa hauteur maximale.
3. Desserrer l'écrou papillon (DD) [un minimum de trois tours complets].
4. Insérer le couteau séparateur (EE) dans le mécanisme de blocage de la scie comme indiqué à la figure 10A jusqu'à ce que le protège-lame s'enclenche en position. Tirer sur le protège-lame pour vous assurer qu'il est bien enclenché dans le mécanisme.
5. Serrer l'écrou papillon contre le mécanisme de blocage.

**IMPORTANT:** AUTANT QUE POSSIBLE, LAISSER LE PROTÈGE-LAME EN POSITION POUR TOUTES LES COUPES QUI L'EXIGENT.

**⚠ AVERTISSEMENT :** avant de connecter la scie circulaire à table à la source d'alimentation ou de la mettre en marche, toujours vérifier l'alignement et le dégagement corrects du protège-lame et du couteau séparateur. Vérifier l'alignement après chaque changement d'angle de biseau.

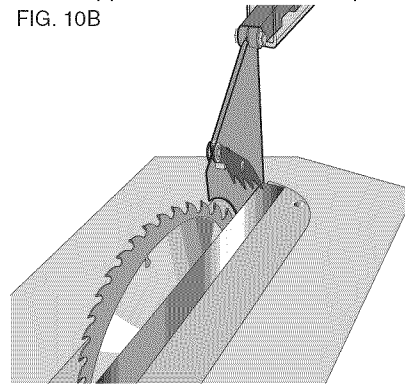
Lorsque correctement aligné, le couteau séparateur sera en ligne avec la lame autant au niveau du dessus du banc qu'avec la pointe supérieure

FIG. 10A



de la lame. À l'aide d'une règle droite, s'assurer que la lame soit alignée avec le couteau séparateur comme le montre la figure 10B. Débrancher l'appareil. Pour s'assurer que la lame soit correctement dégagée et ne touche pas le protège-lame, aller en fin de course, dans les deux directions, avec les réglages d'inclinaison et de hauteur de la lame. Vérifier également le bon fonctionnement des dents anti-effet de rebond. Réinstaller le passe-lame.

FIG. 10B



### RETRAIT DU PROTÈGE-LAME

1. Retirer le passe-lame. (se reporter à la rubrique **Passe-lame**.)
2. Insérer l'extrémité recourbée de la clé pour arbre dans la rainure de la plaque. Tirer vers le haut et l'avant pour révéler l'intérieur de la scie.
3. Relever le protège-lame vers l'arrière et desserrer l'écrou papillon au côté du mécanisme de fixation du protège-lame.
4. Pousser l'écrou papillon vers le mécanisme du protège-lame et retirer ce dernier de la scie.

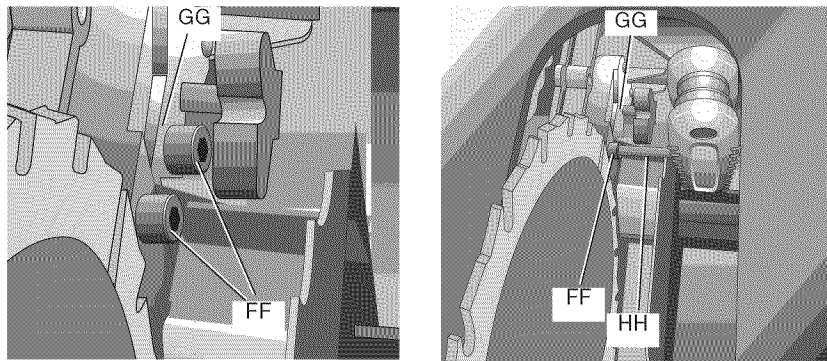
**REMARQUE :** pour faciliter la manipulation, il est possible d'insérer le protège-lame directement sur la scie sans pousser l'écrou en direction au mécanisme du protège-lame. Toutefois, l'écrou papillon doit être serré.

### RÉGLAGE DU PROTÈGE-LAME

Le protège-lame et le couteau séparateur sont alignés en usine. Si un réglage supplémentaire est requis, des cales supplémentaires pour le protège-lame sont fournies afin de rectifier l'alignement.

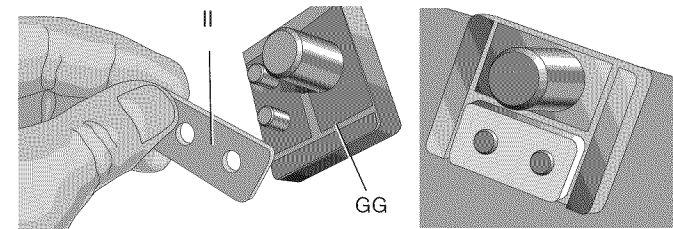
1. Relever la lame (C) à sa hauteur maximale.
2. Retirer le protège-lame (D) et la lame. (consulter la rubrique **Fixation du protège-lame** dans la section *Protège-lame*).

FIG. 11



3. Enlever les deux vis (FF) fixant le dispositif de retenue du protège-lame (GG) à l'aide d'une clé hexagonale de 5 mm (HH), comme le montre la figure 11.
4. Add or remove shims (II) to align the splitter to the blade.

FIG. 12



5. Réassembler en serrant solidement les vis en place. S'assurer que le couteau séparateur est bien aligné avec la lame. (consulter la rubrique **Fixation du protège-lame** dans la section *Protège-lame*).

### Poussoir

**⚠AVERTISSEMENT :** pour réduire le risque de blessures corporelles graves, toujours avoir le poussoir à la portée de la main avant d'amorcer la coupe.

### FIXATION DU POUSSOIR (FIG. 4)

Le poussoir livré avec le modèle DW745 s'installe du côté droit de la scie, sous le rangement de la clé de la lame. Pour le fixer à la scie, aligner les rainures sur le manche du poussoir avec les goupilles d'assemblage sur le boîtier de la scie.

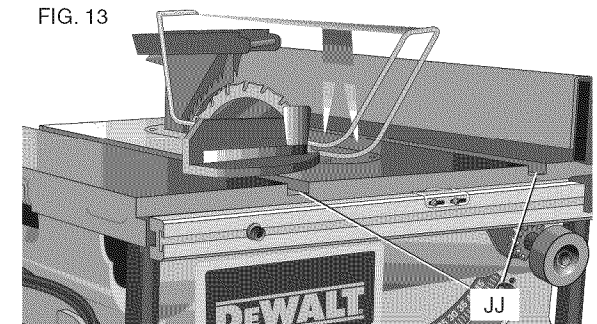
### Guide d'onglet

**REMARQUE :** il est possible d'utiliser un guide d'onglet à bord large.

### FIXATION DU GUIDE D'ONGLET

Le modèle DW745 comprend un guide d'onglet pour le tronçonnage de pièces. Utiliser le guide d'onglet en l'insérant dans l'une des deux rainures (JJ) de guide d'onglet sur le dessus du banc (fig. 13).

FIG. 13



**REMARQUE :** consulter les directives de tronçonnage et de tronçonnage biseauté avant d'exécuter ces opérations sur le banc de scie.

### Montage sur établi

**REMARQUE :** un socle portatif pour la scie est conçu pour une utilisation avec cette scie et est offert chez un distributeur ou un centre de réparation DEWALT régional moyennant des frais supplémentaires.

### ASSEMBLAGE DE LA SCIE À L'ÉTABLI

**⚠AVERTISSEMENT :** pour réduire le risque de blessures corporelles graves, éteindre l'appareil et le débrancher avant tout déplacement, changement d'accessoires ou réglages. Un démarrage accidentel peut provoquer des blessures.

**⚠MISE EN GARDE :** pour réduire le risque de blessures corporelles, s'assurer que le banc de scie soit fermement fixé avant de l'utiliser.

La scie circulaire à table doit être fermement fixée. On retrouve quatre trous de fixation (N) dans le cadre métallique à cet effet. Il est fortement recommandé d'utiliser ces trous pour ancrer la scie circulaire à table sur l'établi ou un autre support de travail fixe et rigide.

**⚠MISE EN GARDE :** s'assurer que la surface soit suffisamment stable de sorte que des grandes pièces ne feront pas basculer l'ensemble.

1. Centrer la scie sur la surface de travail stable choisie.
2. Visser quatre longues vis de 88,9 mm (3-1/2 po) dans les trous du cadre métallique. S'assurer que les vis traversent le cadre et les fixer solidement à la surface de travail de soutien.

Si le bariolage de la surface de travail de soutien s'avère un problème, il est possible d'assembler le modèle DW745 à des chutes de bois qui seront à leur tour fixées à la surface de travail choisie.

1. Couper une pièce de contreplaqué de 19 mm (3/4 po) pour insérer sous la surface de contact de la scie.
2. Visser la scie au contreplaqué et fixer les extrémités de bois qui dépassent à la surface de travail. Si les vis font saillie au-dessous de la base en contreplaqué, insérer deux pièces de chute de matériel d'épaisseur égale et les attacher aux bords du contreplaqué pour maintenir la scie hors de la surface de travail et empêcher ainsi les vis de barioler la surface.

### Branchement de la scie

**⚠AVERTISSEMENT :** pour réduire le risque de blessure, s'assurer que l'interrupteur soit en position d'ARRÊT avant de brancher la scie à la source d'alimentation.

S'assurer que le bloc d'alimentation est compatible avec l'inscription de la plaque signalétique. L'abréviation c.a. signifie que la scie fonctionnera uniquement en courant alternatif. Une diminution de tension de 10 pour cent ou plus risquera de provoquer une perte de puissance et une surchauffe. Tous les outils DEWALT sont testés en usine. Si l'outil ne fonctionne pas, vérifier l'alimentation.

### Interrupteur Marche/Arrêt

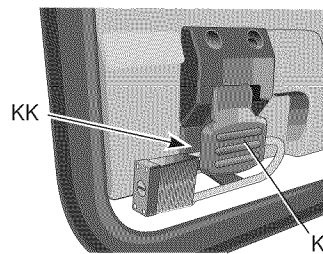
**⚠AVERTISSEMENT :** pour réduire le risque de blessures, s'assurer que l'interrupteur soit en position d'ARRÊT avant de brancher l'appareil.

Relever l'interrupteur (K) MARCHE/ARRÊT pour mettre la scie sous tension et l'abaisser complètement pour l'éteindre.

Le contacteur comporte un trou (KK) pour l'insertion d'un cadenas avec tige amovible pour verrouiller la scie à l'arrêt (fig. 14).

**REMARQUE :** il sera impossible d'insérer un cadenas conventionnel.

FIG. 14



### Fonctionnement du guide longitudinal

#### POIGNÉE DE BLOCAGE DE LA BARRE DE GUIDAGE (FIG. 4)

La poignée de blocage de la barre de guidage (W) bloque le guide en position pour empêcher tout mouvement en cours de coupe. **Pour verrouiller la poignée de blocage**, l'enfoncer et la déplacer vers l'arrière de la scie. **Pour déverrouiller**, la tirer vers le haut et la déplacer vers l'avant de la scie.

**REMARQUE :** lors de sciage en long, toujours verrouiller la poignée de blocage de la barre de guidage.

#### RALLONGE POUR SUPPORT DE PIÈCE

Votre scie circulaire à table est pourvue d'une rallonge pour le support de pièce permettant de soutenir toute pièce dépassant la table de la scie. Pour l'utiliser, la tourner comme indiqué à la figure 15. Lorsqu'elle n'est pas utilisée, la rallonge pour support de pièce se replie comme le montre la figure 16.

**REMARQUE :** replier la rallonge pour support de pièce lorsque vous travaillez au-dessus de la table.

FIG. 15

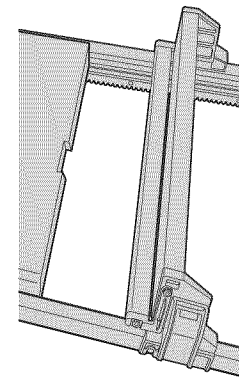
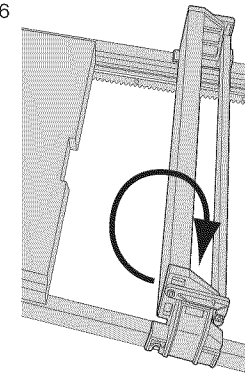


FIG. 16



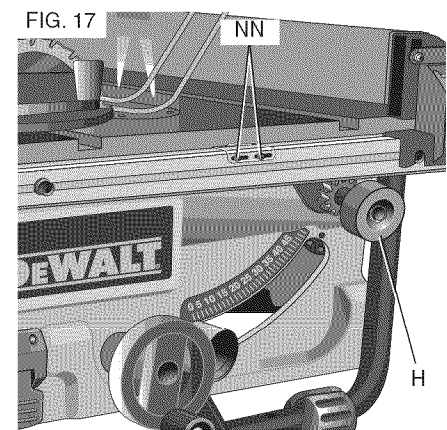
#### BOUTON DE RÉGLAGE FIN (FIG. 17)

Le bouton de réglage fin (H) permet de petits ajustements lors du réglage du guide. Avant de débiter le réglage fin, s'assurer que la poignée de blocage de la barre de guidage est relevée ou en position déverrouillée.

#### POINTEUR DE L'ÉCHELLE DE SCIAGE EN LONG

Il sera nécessaire de régler le pointeur de l'échelle de sciage en long pour optimiser la performance du guide longitudinal si l'utilisateur permute entre des lames à trait fin et des lames à trait large. Se reporter à la rubrique **Réglage de l'échelle de sciage en long** sous la section *Réglages pour les directives d'alignement*.

FIG. 17



### Réglages

**⚠AVERTISSEMENT :** pour réduire le risque de blessures, éteindre l'appareil et le débrancher avant d'installer ou de retirer tout accessoire, avant d'ajuster ou de modifier les réglages, ou lors de réparations. Un démarrage accidentel peut provoquer des blessures.

**REMARQUE :** la scie est réglée en usine de manière complète et précise au moment de sa fabrication. Si un nouveau réglage est requis à cause de l'expédition, du transport ou d'une autre raison, suivre la procédure suivante pour régler la scie :

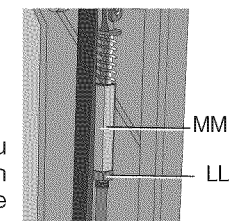
Lorsque ces réglages ont été effectués, ils devraient conserver leur précision. Passer maintenant quelques instants à suivre ces directives attentivement afin de profiter de l'intégralité de la précision dont la scie est capable.

#### RÉGLAGE DU SYSTÈME DE BLOCAGE DE LA BARRE DE GUIDAGE

##### (Serrage du système de fixation du guide)

1. Verrouiller la poignée de blocage de la barre de guidage (W).
2. Desserrer l'écrou (LL) de la face inférieure de la scie (fig. 18).
3. Serrer la tige hexagonale (MM) jusqu'à ce que le ressort du système de verrouillage soit comprimé et crée la tension recherchée sur la poignée de blocage de la barre. Resserrer le contre-écrou contre la tige hexagonale.

FIG. 18



4. Retourner la scie et vérifier l'immobilité du guide lorsque la poignée est engagée. Si le guide est encore un peu lâche, comprimer davantage le ressort.

### RÉGLAGE DE L'ÉCHELLE DE SCIAGE EN LONG (Étalonnage de l'échelle de sciage en long)

1. Déverrouiller la poignée de blocage de la barre de guidage (W).
2. Régler la lame à un angle de biseau de 0° et déplacer le guide jusqu'à ce qu'il soit à ras avec la lame.
3. Verrouiller la poignée de blocage de la barre de guidage.
4. Avec un tournevis cruciforme, desserrer les vis (NN) du pointeur de l'échelle de sciage en long et déplacer la ligne rouge au repère 0° sur l'échelle. Consulter la figure 17.
5. Resserrer les vis de la barre de guidage.

**REMARQUE :** l'échelle de sciage en long n'est précise que si installée du côté droit de la lame.

### RÉGLAGE DE L'ALIGNEMENT DE LA LAME (Lame parallèle à la rainure du guide d'onglet)

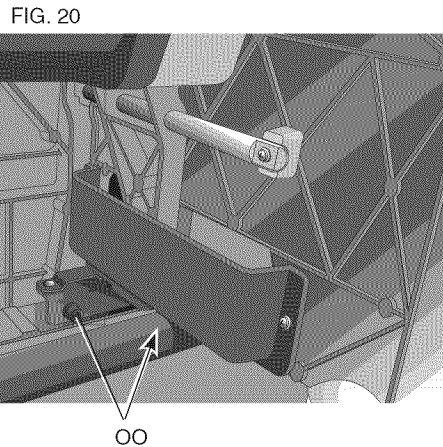
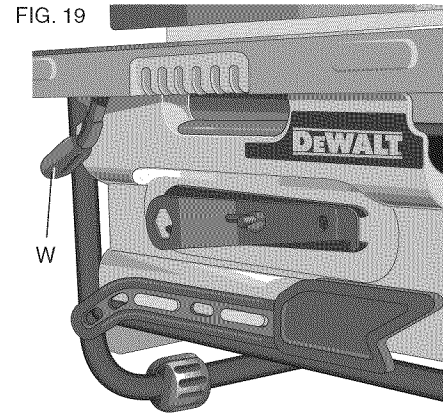
**AVERTISSEMENT :** Risque de coupure. Vérifier la lame aux angles de 0° et 45° pour garantir qu'elle ne touche pas le passe-lame ce qui pourrait provoquer une blessure corporelle.

Si la lame semble désalignée par rapport à la rainure du guide d'onglet du dessus du banc de scie, un étalonnage sera nécessaire pour refaire l'alignement. Pour réaligner la lame avec la rainure du guide d'onglet, procéder comme suit :

1. Repérer les vis Allen noires (OO) qui retiennent le tourillon au bas du banc à l'arrière de la scie.
2. Desserrer les deux vis et aligner la lame avec la rainure du guide d'onglet. S'assurer de mesurer la distance entre la rainure du guide d'onglet, l'arrière et l'avant de la lame pour garantir le parallélisme.
3. Serrer fermement les vis pour fixer l'ensemble du tourillon et de la lame au banc en position parallèle.

### RÉGLAGE DE L'ALIGNEMENT DU GUIDE (Lame parallèle au guide)

En cas de problème d'alignement du guide et de rectification du parallélisme entre le guide et la lame, s'assurer de vérifier d'abord l'alignement de la lame avec la rainure du guide d'onglet. Une fois ces éléments alignés, poursuivre avec l'alignement de la lame avec le guide comme suit :

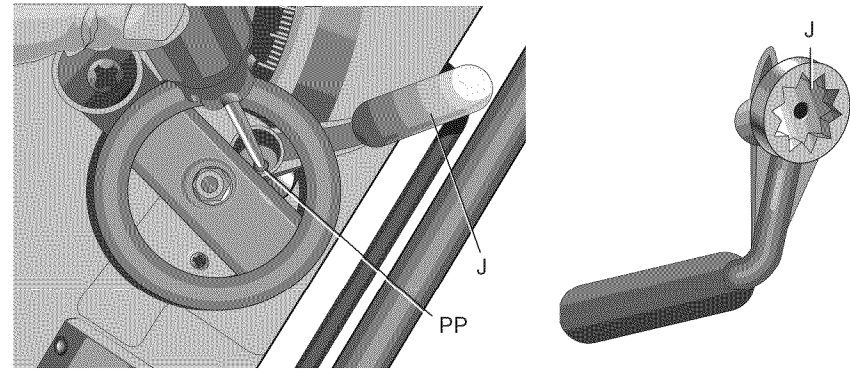


1. Déverrouiller la poignée de blocage de la barre de guidage (W) et repérer les deux vis de positionnement du guide (AA) qui soutiennent le guide sur les barres de guidage avant et arrière.
2. Desserrer la vis de positionnement arrière et régler la position du guide, dans la rainure présente sur le guide, jusqu'à ce que la face du guide soit parallèle à la lame. S'assurer de mesurer la distance entre la face du guide, l'avant et l'arrière de la lame pour garantir l'alignement.
3. Serrer la vis de positionnement et répéter la procédure sur le côté gauche de la lame.
4. Vérifier le réglage de l'échelle de sciage en long.

### RÉGLAGE DU BUTOIR ET DU POINTEUR (Étalonnage de l'échelle du système de biseautage)

L'étalonnage du système de biseautage de la scie pourrait exiger deux étapes distinctes : une pour l'échelle de biseau et l'autre pour le pointeur de biseau. Toujours vérifier d'abord l'échelle, suivi du réglage du pointeur rouge

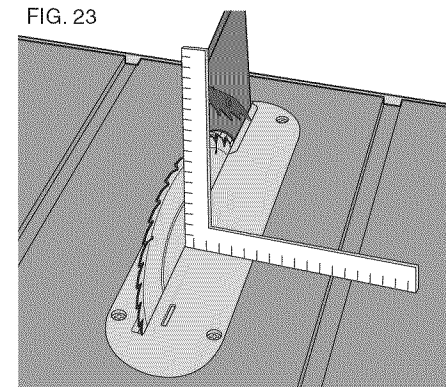
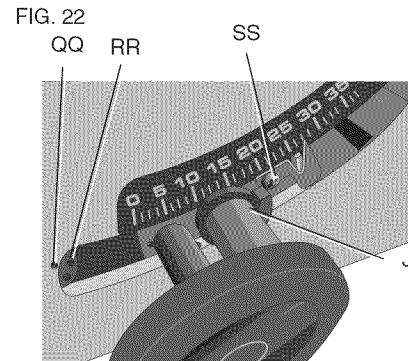
FIG. 21



### RÉGLAGE DU DISPOSITIF DE BLOCAGE DE BISEAU (FIG. 21)

Le levier de blocage de biseau (J) pourrait exiger un réglage pour maintenir la force de verrouillage.

Pour ce faire, mettre le levier de blocage à la position verrouillée. À l'aide un tournevis cruciforme, enlever la vis (PP) fixant le levier de blocage (fig. 21). Enlever le levier de blocage du boulon de blocage, puis mettre le levier à la position voulue. Insérer la vis (PP), puis bien la serrer solidement.



**Partie A : Réglage de l'échelle du système de biseautage (Fig. 22, 23)**

1. Retirer le protège-lame de la scie et relever au complet la lame.
2. Déverrouiller la poignée de blocage du biseau (J) et desserrer la vis de la butée du biseau (QQ).
3. Déposer une équerre contre le banc et la lame.

**REMARQUE :** s'assurer de positionner l'équerre entre les dents de la lame pour garantir une mesure précise.

4. Régler l'angle de biseau jusqu'à ce que la lame soit à plat contre l'équerre. Verrouiller la poignée de blocage du biseau (J).
5. Déplacer la came d'arrêt du biseau (RR) jusqu'à ce qu'elle touche fermement le boîtier du tourillon. Serrer la vis de butée du biseau.
6. Répéter la procédure, mais à un angle de 45° cette fois-ci avec un triangle ou une équerre usuelle.

**Partie B : Réglage du pointeur de l'échelle de biseau**

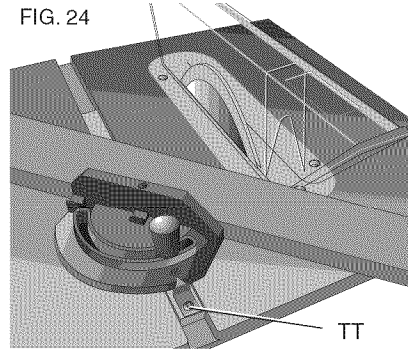
**REMARQUE :** débiter cette étape uniquement si le réglage de la partie A est terminé.

7. Vérifier l'angle de l'échelle du système de biseautage. Si le pointeur ne pointe pas sur l'angle de 0°, desserrer la vis du pointeur (SS) et la déplacer au repère 0° de l'échelle du système de biseautage. Resserrer la vis du pointeur.

**RÉGLAGE DU GUIDE D'ONGLET (Étalonnage du pointeur du guide d'onglet)**

Le guide d'onglet comporte des butées réglables aux angles de 90° et 45° à gauche et à droite. Pour régler le guide d'onglet, desserrer la vis (TT) et le déplacer à la position voulue. Serrer la vis contre la plaque de butée (fig. 24).

FIG. 24

**Lames de scie**

**REMARQUE :** la scie est conçue pour utiliser des lames de scie de 254 mm (10 po) de diamètre ou moins.

**REMARQUE :** la présente scie n'est pas prévue pour une utilisation avec des lames pour rainurage et des lames pour coupe de moulures. Il y a risque de blessure corporelle.

1. La lame de scie livrée avec la nouvelle scie est une lame combinée de 254 mm (10 po), à utiliser pour le tronçonnage (coupe à travers le fil du bois) et le sciage en long (dans le sens du fil) de pièces. L'alésage pour l'arbre est de 16 mm (5/8 po) de diamètre. La lame produit une bonne qualité de coupe pour la plupart des applications.
2. Il existe plusieurs types de lames offertes pour les détails et les travaux particuliers comme les lames pour le tronçonnage ou le sciage en long uniquement, les lames biconcaves pour le contreplaqué mince, les revêtements, etc.
3. Utiliser uniquement des lames de scie prévues pour des régimes maximums sécuritaires de 5 000 tr/min ou plus.
4. Les lames de scie devraient être toujours bien affûtées. Il est recommandé de repérer un centre d'affûtage de bonne réputation pour affûter les lames au besoin.

**Effet de rebond**

L'effet de rebond est une réaction dangereuse! Il est provoqué par le coincement de la lame dans la pièce. La pièce peut alors se déplacer rapidement dans une direction opposée à l'avancement de la pièce. Dans ce cas, il est possible que la pièce soit projetée en direction de l'opérateur. L'effet de rebond peut également entraîner la main de l'opérateur sur la lame si celle-ci est près de la lame. En cas d'effet de rebond, ÉTEINDRE la scie et vérifier le bon fonctionnement du couteau séparateur, des dents anti-effet de rebond et des protège-lames avant de poursuivre le travail.

**⚠AVERTISSEMENT :**

1. Toujours utiliser le protège-lame et s'assurer qu'il est en bon état de fonctionnement. Le couteau séparateur du protège-lame aide à prévenir les coincements de lame et les dents anti-effet de rebond de chaque côté du couteau réduisent les possibilités d'effet de rebond. Être extrêmement prudent jusqu'à ce que le couteau séparateur soit engagé dans la pièce et sur les dents anti-effet de rebond.
2. Ne pas scier du bois voilé, arqué ou en cuvette. La pièce doit comporter un bord droit régulier pour appuyer contre le guide longitudinal ou d'onglet. La pièce doit reposer à plat sur la table sans balancement.
3. Ne pas couper à « mains libres ». Toujours utiliser le guide longitudinal ou le guide d'onglet. Ne jamais utiliser les deux à la fois.
4. Être extrêmement prudent lors de coupe sans utilisation de l'ensemble protège-lame/couteau séparateur (coupes qui ne traversent pas la pièce).
5. Soutenir soigneusement les grandes pièces. Un affaissement ou une arcure peut provoquer un effet de rebond.

**FONCTIONNEMENT**

**⚠AVERTISSEMENT :** avant chaque utilisation de la scie, vérifier les points suivants.

1. **TOUJOURS** utiliser une protection oculaire, auditive et un appareil de protection des voies respiratoires.
2. La lame est bien serrée.
3. Les poignées de verrouillage de l'angle du biseau et de la hauteur sont bien serrées.
4. S'assurer que la poignée de blocage du guide longitudinal est bien serrée et que le guide longitudinal est parallèle à la lame en cas de sciage en long.
5. La poignée du guide d'onglet est bien serrée pour le tronçonnage.
6. Le protège-lame est correctement attaché et les dents anti-effet de rebond fonctionnent.
7. **TOUJOURS** inspecter le bon alignement et le dégagement du protège-lame et du couteau séparateur. Ces derniers ne devraient pas toucher la lame de scie en cours de fonctionnement.

Le non-respect de ces consignes de sécurité de base augmente grandement la possibilité de blessures

**⚠AVERTISSEMENT :** pour réduire le risque de blessures, éteindre l'appareil et le débrancher avant d'installer ou de retirer tout accessoire, avant d'ajuster ou de modifier les réglages, ou lors de réparations. Un démarrage accidentel peut provoquer des blessures.

**⚠AVERTISSEMENT :** avant de connecter le banc de scie à la source d'alimentation ou de le mettre en marche, toujours vérifier l'alignement et le dégagement corrects du protège-lame et du couteau séparateur en cours de fonctionnement. Il peut en résulter des blessures corporelles.

**⚠AVERTISSEMENT :** le sciage en long et le tronçonnage pourraient provoquer un basculement de la scie en cours de fonctionnement. S'assurer que la scie soit solidement fixée à une surface stable.

**⚠AVERTISSEMENT :** ne jamais utiliser le guide longitudinal et le guide d'onglet simultanément. Cette pratique risque de provoquer un effet de rebond et de blesser l'opérateur.

**⚠MISE EN GARDE :** si la scie produit un bruit étrange ou vibre excessivement, suspendre immédiatement son utilisation jusqu'à ce que la cause soit repérée et le problème corrigé.

**⚠MISE EN GARDE :** toujours insérer le passe-lame approprié pour réduire le risque de projection d'une pièce et de blessures éventuelles.

Le sciage en long et le tronçonnage sont deux types de coupe fondamentaux exécutés avec les scies circulaires à table. Le sciage en long est une coupe dans le sens du fil du bois et

le tronçonnage est une coupe contre le fil du bois. Dans le cas de matières artificielles, on qualifie le sciage en long de coupe qui modifie la largeur de la pièce et de tronçonnage, la coupe de matériel en travers de la dimension la plus courte.

**⚠AVERTISSEMENT** : lors de sciage en long, toujours utiliser le guide pour guider la pièce et le protège-lame pour protéger contre un éventuel effet de rebond.

**⚠MISE EN GARDE** : lors de tronçonnage, toujours utiliser le guide d'onglet.

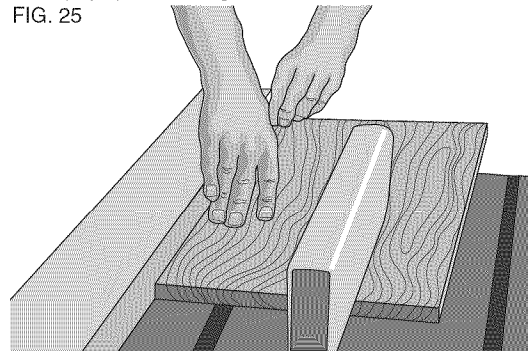
## Sciage en long

**⚠AVERTISSEMENT** : ne jamais toucher l'« extrémité libre » de la pièce ou une « pièce libre » qui est coupée alors que l'appareil est sous tension et/ou que la lame de la scie tourne. La pièce risquerait de toucher la lame et d'être projetée entraînant ainsi une blessure.

**⚠AVERTISSEMENT** : **TOUJOURS** utiliser un guide longitudinal pour les sciages en long pour maintenir la maîtrise de la pièce et prévenir une blessure corporelle. **NE JAMAIS** effectuer d'opération de sciage sur le long à mains libres. **TOUJOURS** verrouiller le guide longitudinal sur la barre de guidage.

**⚠AVERTISSEMENT** : lors de sciage en long avec biseau et à chaque fois que possible, placer le guide longitudinale sur le côté de la lame de sorte que la lame est inclinée à l'opposé du guide et des mains. Éloigner les mains de la lame et utiliser un poussoir pour avancer la pièce s'il y a moins de 152 mm (6 po) entre le guide et la lame.

1. Verrouiller le guide longitudinal en abaissant la poignée de blocage de la barre de guidage. Retirer le guide d'onglet.



2. Relever la lame d'environ 3,2 mm (1/8 po) de plus que le dessus de la pièce.
3. Tenir la pièce à plat sur le banc et appuyée sur le guide. Éloigner la pièce d'environ 25,4 mm (1 po) de la lame.

**⚠MISE EN GARDE** : la pièce doit avoir un bord droit contre le guide longitudinal et ne doit pas être voilée, tordue ou arquée. Éloigner les deux mains de la lame et de la trajectoire de la lame. Observer le bon positionnement des mains à la figure 25.

4. Mettre la scie en marche et laisser la lame atteindre son plein régime. Il est possible d'utiliser les deux mains pour amorcer la coupe. À environ 305 mm (12 po) de la fin du sciage en long, utiliser uniquement une main avec le pouce qui avance la pièce, l'index et le majeur qui retiennent la pièce contre le banc et les autres doigts appuyés sur le dessus du guide. Toujours tenir le pouce près de l'index et du majeur et près du guide.
5. Maintenir la pièce contre le banc et le guide, avancer lentement la pièce par l'extrémité arrière jusqu'à la fin du sciage. Faire avancer la pièce jusqu'à ce qu'elle passe le protège-lame et qu'elle tombe à l'arrière du banc. Ne pas surcharger le moteur.
6. Ne jamais essayer de faire reculer la pièce avec la lame en mouvement. Éteindre l'appareil, laisser la lame s'immobiliser, relever les dents anti-effet de rebond de chaque côté du couteau séparateur au besoin et faire sortir la pièce en la glissant.
7. Toujours soutenir la pièce lors de sciage d'une longue pièce de matériau ou d'un panneau. Un chevalet de sciage, des rouleaux ou un module de sortie offre(nt) un soutien adéquat à cet effet. La pièce supportée doit être à la même hauteur que le banc de la scie.

**⚠MISE EN GARDE** : ne jamais pousser ou retenir le morceau « libre » ou « coupé » de la pièce.

## Sciage sur le long en biseau

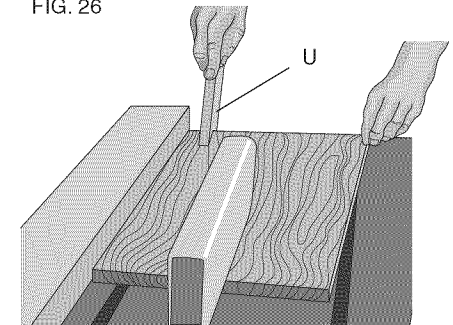
Cette opération est identique au sciage en long sauf que l'angle de biseau est réglé à un angle différent de zéro degré.

**⚠AVERTISSEMENT** : avant de connecter la scie circulaire à table à la source d'alimentation ou de la mettre en marche, toujours vérifier l'alignement et le dégagement approprié du protège-lame et du couteau séparateur. Vérifier l'alignement après chaque changement d'angle de biseau.

### SCIAGE EN LONG DE PETITES PIÈCES

Il n'est pas sécuritaire de scier en long des pièces courtes. Il n'est pas sécuritaire de positionner vos mains près de la lame. Il est préférable de scier en long une pièce plus large pour obtenir la pièce voulue. Lorsqu'une pièce de petite largeur est sciée sur le long et que la main ne peut se positionner sans danger entre la lame et le guide longitudinal, utiliser un ou plusieurs poussoirs. Un modèle de poussoir est inclus à la fin de ce mode d'emploi pour en fabriquer. Un poussoir (U) est livré avec la scie et est situé sur le panneau droit. Utiliser le ou les poussoirs pour tenir la pièce contre le banc et le guide et avancer complètement la pièce de l'autre côté de la lame. Consulter la figure 26.

FIG. 26



## Tronçonnage

**⚠AVERTISSEMENT** : **NE JAMAIS** toucher « l'extrémité libre » de la pièce ou une « pièce libre » qui est coupée alors que l'appareil est sous tension et/ou que la lame de la scie tourne. La pièce risquerait de toucher la lame et d'être projetée entraînant ainsi une blessure.

**⚠AVERTISSEMENT** : pour réduire le risque de blessure, **NE JAMAIS** utiliser le guide longitudinale comme guide ou butoir lors de tronçonnage.

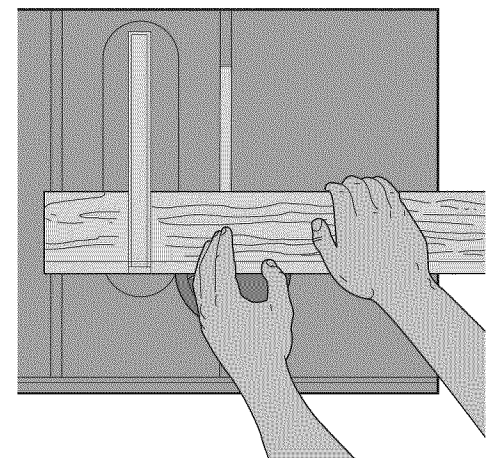
**⚠AVERTISSEMENT** : **NE JAMAIS** utiliser un butoir à l'extrémité libre de la pièce lors de tronçonnage. En résumé, une pièce qui sera débitée au complet (coupe de part en d'autre de la pièce) ne doit jamais être prise. Elle doit pouvoir s'éloigner de la lame de scie pour empêcher un contact avec la lame. Ce contact pourrait projeter la pièce et entraîner une blessure.

**⚠AVERTISSEMENT** : être prudent lors de l'amorce d'une coupe pour empêcher un coincement dans la pièce. Un tel coincement risque d'endommager la scie et d'entraîner une blessure.

**⚠MISE EN GARDE** : lors de l'utilisation d'un bloc de bois comme guide de coupe, il doit être d'au moins 19 mm (3/4 po) d'épaisseur. Il est très important de positionner l'extrémité arrière du bloc de sorte que la pièce soit dégagée avant que la lame ne morde. Cette pratique prévient la projection d'une pièce et une blessure potentielle.

1. Retirer le guide longitudinal et insérer le guide d'onglet dans la rainure voulue.

FIG. 27





- Régler la hauteur de la lame de sorte que celle-ci soit environ 3,2 mm (1/8 po) plus élevée que le dessus de la pièce.
- Tenir la pièce fermement contre le guide d'onglet avec la lame bien alignée sur la trajectoire de la ligne de coupe prévue. Tenir la pièce à environ 25,4 mm (1 po) de la lame. **ÉLOIGNER LES DEUX MAINS DE LA LAME ET DE LA TRAJECTOIRE DE LA LAME** (fig. 27).
- Mettre le moteur de la scie en marche et laisser la lame atteindre son plein régime.
- Avancer lentement la pièce sur la lame en utilisant les deux mains pour tenir la pièce contre le côté du guide d'onglet et à plat sur le banc. Consulter la figure 27.
- Ne jamais essayer de faire reculer la pièce avec la lame en mouvement. Éteindre l'appareil, laisser la lame s'immobiliser et retirer soigneusement la pièce en la glissant.

**⚠ MISE EN GARDE :** ne jamais toucher ou retenir le morceau « libre » ou « coupé » de la pièce.

### Tronçonnage en biseau

Cette opération est identique au tronçonnage normal, sauf que l'angle de biseau est réglé à un angle différent de 0°. Se reporter à la figure 28 pour observer la position correcte de la main.

**⚠ AVERTISSEMENT :** avant de connecter la scie circulaire à table à la source d'alimentation ou de la mettre en marche, toujours vérifier l'alignement et le dégagement appropriés du protège-lame et du couteau séparateur avec la lame de scie. Vérifier l'alignement après chaque changement d'angle de biseau.

### Découpe à l'onglet

**⚠ AVERTISSEMENT :** des angles d'onglet de plus de 45° peuvent forcer le protège-lame sur la lame de la scie, endommager le protège-lame et entraîner une blessure corporelle. Tester le fonctionnement en insérant la pièce sur le protège-lame avant de démarrer le moteur. Si le protège-lame touche la lame, placer la pièce sous le protège-lame sans toucher à la lame, avant de démarrer le moteur.

**⚠ MISE EN GARDE :** certaines formes de pièce comme les moulures, ne réussiront pas toujours à relever correctement le protège-lame. Avancer lentement la pièce pour amorcer la coupe. Si le protège-lame touche la lame, placer la pièce sous le protège-lame sans toucher à la lame, avant de démarrer le moteur.

Cette opération est identique au tronçonnage normal, sauf que le guide d'onglet est bloqué à un angle différent de 0°. Tenir **FERMEMENT** la pièce contre le guide d'onglet et avancer lentement la pièce sur la lame (pour empêcher la pièce de bouger). Consulter la figure 29.

### Utilisation du guide d'onglet

Pour régler le guide d'onglet, desserrer la poignée de verrouillage et déplacer le guide à l'angle voulu.

FIG. 28

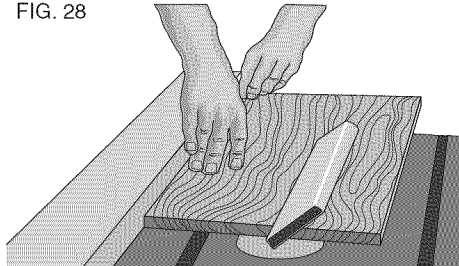
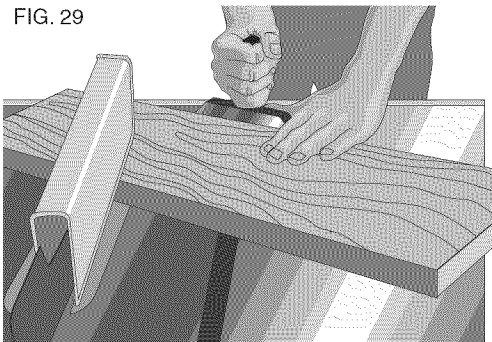


FIG. 29



### Découpe à onglet mixte

Ce mode de coupe est une combinaison de tronçonnage avec angle de biseau et de découpe à l'onglet. Suivre les directives pour le tronçonnage et la découpe à l'onglet.

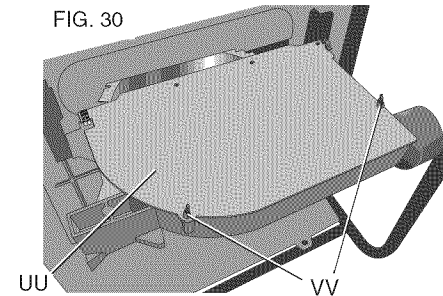
### Dépoussiérage

La scie circulaire à table est dotée d'un déflecteur de poussière et d'une goulotte à poussière. Pour optimiser les résultats, raccorder un aspirateur à la goulotte à l'arrière de la scie.

Après une utilisation prolongée, il est possible que le système de dépoussiérage de la scie s'obstrue. Pour désobstruer le système de dépoussiérage:

- Débrancher la scie.
- Coucher la scie sur son côté de sorte que le fond ouvert de l'appareil soit accessible.
- Ouvrir la porte d'accès pour le dépoussiéreur (UU) illustrée à la figure 30 en retirant les vis à oreilles (PP). Nettoyer l'excès de poussière et refermer solidement la porte d'accès avec les vis à oreilles.

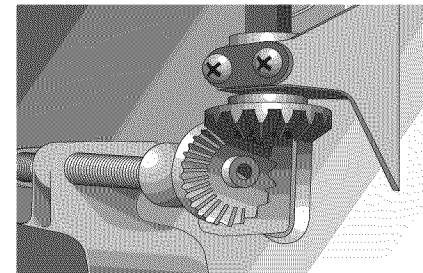
FIG. 30



### Lubrification

- Tous les roulements du moteur sont lubrifiés en permanence en usine et aucune autre lubrification supplémentaire n'est requise.
- L'engrenage de réglage de la hauteur pourrait exiger un nettoyage et une lubrification périodiques (fig. 31). En cas de difficulté à relever ou abaisser la lame, communiquer avec un centre de réparations DEWALT autorisé.

FIG. 31



### Accessoires

**⚠ AVERTISSEMENT :** puisque les accessoires autres que ceux offerts par DEWALT n'ont pas été testés avec ce produit, l'utilisation de ceux-ci avec l'outil pourrait s'avérer dangereuse. Pour réduire le risque de blessures, utiliser exclusivement les accessoires DEWALT recommandés avec le présent produit.

Pour toute demande d'assistance pour trouver un accessoire, veuillez contacter DEWALT Industrial Tool Co., 701 East Joppa Road, Baltimore, MD 21286, États-Unis, composer le 1 (800) 4-DEWALT (1 (800) 433-9258) ou visiter notre site Web à [www.dewalt.com](http://www.dewalt.com).

## ENTRETIEN

**⚠️AVERTISSEMENT :** pour réduire le risque de blessures, éteindre l'appareil et le débrancher avant d'installer ou de retirer tout accessoire, avant d'ajuster ou de modifier les réglages ou lors de réparations. Un démarrage accidentel peut provoquer des blessures.

## Nettoyage

**⚠️AVERTISSEMENT :** lors du nettoyage des pièces de plastique, utiliser uniquement du savon doux et un chiffon humide. Bon nombre de nettoyeurs domestiques renferment des produits chimiques pouvant grandement endommager le plastique. En outre, ne pas utiliser d'essence, de térébenthine, de diluant à peinture-laque, de liquides pour nettoyage à sec ou tout autre produit semblable qui pourrait endommager gravement les composants en plastique. Ne jamais laisser de liquide pénétrer dans l'outil et n'immerger aucune partie de l'outil dans un liquide.

## Réparations

Pour assurer la SÉCURITÉ et la FIABILITÉ du produit, les réparations, l'entretien et les réglages (y compris l'inspection et le remplacement de la brosse) doivent être réalisés par un centre de réparation en usine DEWALT, un centre de réparation autorisé DEWALT ou par un personnel de réparation professionnel. Toujours utiliser des pièces de rechange identiques.

## Garantie limitée trois ans

DEWALT réparera gratuitement tous les problèmes dus à des défauts de matériau ou de fabrication pendant trois ans à compter de la date d'achat. Cette garantie ne couvre pas des défaillances de pièce dues à une usure normale ou à une mauvaise utilisation de l'outil. Pour plus de détails relatifs à la couverture de la garantie et aux réparations sous garantie, visiter le site Web [www.dewalt.com](http://www.dewalt.com) ou composer le 1 (800) 4-DEWALT (1 (800) 433-9258). Cette garantie ne s'applique pas aux accessoires ni aux dommages causés par des réparations réalisées ou tentées par des tiers. Cette garantie vous accorde des droits légaux spécifiques et il est possible que vous ayez d'autres droits qui varient d'un État ou d'une province à l'autre.

En plus de la garantie, les outils DEWALT sont couverts par notre :

### SERVICE D'ENTRETIEN GRATUIT DE 1 AN

DEWALT entretiendra l'outil et remplacera les pièces usées par une utilisation normale et ce, gratuitement, à tout instant pendant la première année à compter de la date d'achat.

### GARANTIE DE REMBOURSEMENT DE 90 JOURS

Si vous n'êtes pas entièrement satisfait des performances de votre outil électrique, laser ou de votre cloueuse DEWALT pour quelque raison que ce soit, vous pouvez le retourner accompagné d'un reçu dans les 90 jours suivant la date d'achat et nous vous rembourserons entièrement – sans poser de questions.

**AMÉRIQUE LATINE :** cette garantie ne s'applique pas aux produits vendus en Amérique latine. Pour ceux-ci, veuillez consulter les informations relatives à la garantie spécifique présente dans l'emballage, appeler l'entreprise locale ou consulter le site Web pour les informations relatives à cette garantie.

**REMPLACEMENT GRATUIT DES ÉTIQUETTES D'AVERTISSEMENT :** si les étiquettes d'avertissement deviennent illisibles ou sont manquantes, composer le 1 (800) 4-DEWALT pour en obtenir le remplacement gratuit.

## ⚠️ DANGER/PELIGRO

KEEP HANDS AWAY FROM BLADE.  
MANTENGA MANOS LEJOS DE HOJA.  
GARDER DES MAINS LOIN DE LA LAME.



DW745 BLADE 10",  
250mm

NOTE: USE 120 VOLT,  
15 AMP BRANCH CIRCUIT  
AND USE 15 AMP  
TIME-DELAY FUSE.

SER. [REDACTED]

## ⚠️ WARNING

TO REDUCE THE RISK OF INJURY, READ AND UNDERSTAND INSTRUCTION MANUAL BEFORE OPERATING SAW. ALWAYS USE PROPER EYE AND RESPIRATORY PROTECTION. DO NOT WEAR GLOVES, NECKTIES, JEWELRY OR LOOSE CLOTHING. CONTAIN LONG HAIR. KEEP HANDS OUT OF THE LINE OF SAW BLADE - USE EXTRA CAUTION WHEN BEVELING. USE SAW-BLADE GUARD AND SPLITTER FOR EVERY OPERATION FOR WHICH IT CAN BE USED, INCLUDING ALL THROUGH SAWING. USE A "PUSH STICK" WHEN REQUIRED. KNOW HOW TO REDUCE THE RISK OF KICKBACKS - SEE MANUAL. ALWAYS SUPPORT WORK WITH TABLE AND FENCE OR MITER GAUGE. DO NOT PERFORM ANY OPERATION FREE HAND. USE FENCE WHEN RIPPING AND MITER GAUGE WHEN CROSSCUTTING. NEVER USE TOGETHER. NEVER REACH AROUND OR OVER SAW BLADE. SECURELY MOUNT SAW BLADE BEFORE OPERATING. NEVER REMOVE JAMMED OR CUT-OFF PIECES UNTIL POWER IS OFF AND BLADE HAS STOPPED. LOCK BEVEL ADJUSTMENT BEFORE OPERATION. SECURE TOOL PROPERLY TO PREVENT UNEXPECTED MOVEMENT. DO NOT OPERATE THIS MACHINE WHILE UNDER THE INFLUENCE OF ALCOHOL OR DRUGS. FAILURE TO COMPLY WITH THESE WARNINGS MAY RESULT IN SERIOUS PERSONAL INJURY.

U.S. PAT. NO. 5,722,308; 5,857,507; 5,875,698; 5,927,857; 5,979,523; 6,148,703; 6,244,149; 6,357,328; D386,747; D394,071; D395,322; D397,346; D400,217; D407,725; D410,474; D414,786; D445,119 OTHER PATENTS PENDING.  
DEWALT INDUSTRIAL TOOL CO., BALTIMORE MD, 21286 U.S.A.  
FOR SERVICE INFORMATION, CALL 1-800-4-DEWALT [www.DewALT.com](http://www.DewALT.com)

## ⚠️ ADVERTENCIA

POR SU PROPIA SEGURIDAD, LEA EL MANUAL DE INSTRUCCIONES ANTES DE OPERAR LA SIERRA. SIEMPRE SE DEBERÁ USAR LA PROTECCIÓN APROPIADA PARA LA OÍDIA Y PARA LAS VÍSCERAS/RESPIRATORIOS. NO UTILICE GUANTES, CINTURAS, ALHAJAS O ROPA HOLGADA. SUJETE EL CABELLO LARGO. MANTENGA LAS MANOS FUERA DE LA LÍNEA DE LA HOJA DE LA SIERRA. TENGA MUCHO CUIDADO AL REALIZAR EL BISELADO. USE EL PROTECTOR DE LA HOJA DE LA SIERRA Y EL DIVISOR EN TODAS LAS OPERACIONES EN LAS QUE PUEDE, INCLUIDO EN TODOS LOS CORTES CON SIERRA. USE UN "EMPUJADOR" SIEMPRE QUE SEA NECESARIO. LEA EL MANUAL PARA OBTENER INFORMACIÓN SOBRE CÓMO REDUCIR EL RIESGO DE RETROCESO. SIEMPRE SUSTENGA EL TRAYECTO DE LA HOJA Y UNA GUÍA O CALIBRADOR DE SIERRA. NO REALICE NINGUNA OPERACIÓN SIN LAS MANOS. USE LA GUÍA AL HACER CORTES LONGITUDINALES Y EL CALIBRADOR DE INGLETE AL HACER CORTES TRANSVERSALES. NUNCA USE AMBOS A LA VEZ. NUNCA INTENTE ALCANZAR ALCORNOQUE O SOBRE LA HOJA DE LA SIERRA. CONECTE LA HOJA DE LA SIERRA CON SEGURIDAD ANTES DE OPERAR. NUNCA quite piezas atascadas o cortadas sin que la herramienta esté apagada y la hoja se haya detenido. TRABE EL AJUSTE DEL BISEL ANTES DE USAR LA HERRAMIENTA. FUE LA HERRAMIENTA CORRECTAMENTE PARA EVITAR QUE SE MOVIERA INESPERADAMENTE. NO OPERE ESTA MÁQUINA SI ESTÁ BAJO LOS EFECTOS DEL ALCOHOL O DROGAS. EL INCUMPLIMIENTO DE ESTAS ADVERTENCIAS PODRÍA CAUSAR LESIONES PERSONALES.

## ⚠️ AVERTISSEMENT

LONGS. GARDER LES MAINS HORS DE LA TRAJECTOIRE DE LA LAME DE LA SCIE. ÊTRE TRÈS PRUDENT POUR LE BISELAGE. UTILISER UN PARE-MAIN ET UN DIVISOR DE CARTEMENT POUR TOUTES LES OPÉRATIONS DEMANDANT SOUS UTILISATION, Y COMPRIS TOUT DÉBITAGE COMPLET. UTILISER UN "POUSOIR" S'IL Y A BESOIN. CONNAÎTRE LES TECHNIQUES POUR RÉDUIRE LE RISQUE DE REBOUNDS - CONSULTER LE MANUEL. TOUJOURS SOUTENIR LA PIÈCE AVEC LA TABLE ET LE GUIDÉ OU AVEC LA JAUZE À ONGULETS. EFFECTUER TOUTE OPÉRATION EN TENANT L'OUTIL DES DEUX MAINS. UTILISER LE GUIDÉ LONGITUDINAL POUR LE SCALÉ EN LONG ET LA JAUZE À ONGULET POUR LE TRONÇONNAGE. NE JAMAIS UTILISER LES DEUX SYSTÈMES SIMULTANÉMENT. NE JAMAIS SE FORTIFIER PRES DE LA LAME OU AU DESSUS DE CELLE-EN. NE PAS OPERER LA LAME DE SCIE AVANT D'UTILISER L'OUTIL. NE JAMAIS RETIRER UNE PIÈCE COINCÉE OU COUPEE TANT QUE L'OUTIL N'A PAS ÉTÉ HORS TENSION ET QUE LA LAME N'A PAS CESSÉ DE TOURNER. VÉRIFIER LE RÉGLAGE DU BISEAU AVANT L'UTILISATION. BIEN FIXER L'OUTIL POUR ÉVITER TOUT DÉPLACEMENT INATTENDU. NE PAS UTILISER CET OUTIL SOUS L'EMPRESSION DE L'ALCOHOL OU DE DROGUES. NEGLIGER DE SE CONFORMER À CES AVERTISSEMENTS PEUT PROVOQUER DES BLESSURES GRAVES.

## ⚠️ WARNING

TO PREVENT KICKBACK, USE THE BLADE GUARD AND SPLITTER FOR ALL THROUGH SAWING. KEEP HANDS OUT OF THE LINE OF THE SAWBLADE. USE A PUSHSTICK AND FEATHERBOARDS WHEN REQUIRED.

## ⚠️ ADVERTENCIA

PARA PREVENIR EL RETROCESO, UTILICE EL PROTECTOR DE LA HOJA Y EL HENDEADOR PARA TODOS LOS CORTES CON SIERRA. MANTENGA LAS MANOS ALEJADAS DEL TRAYECTO DE LA HOJA DE LA SIERRA. UTILICE LA VARA PARA EMPUJAR Y TABLAS DE CANTO BISELADO CUANDO SEA NECESARIO.

## ⚠️ AVERTISSEMENT

POUR EMPÊCHER TOUT EFFET DE REBOND, UTILISER LE PARE-MAIN ET LE COUPEAU SÉPARATEUR POUR TOUT DÉBITAGE COMPLET. GARDER LES MAINS HORS DE LA TRAJECTOIRE DE LA LAME DE LA SCIE. UTILISER UN POUSSOIR ET DES PLANCHES EN ÉVENTAIL AU BESOIN.

Français

### Definiciones: Normas de seguridad

Las siguientes definiciones describen el nivel de gravedad de cada palabra de señal. Lea el manual y preste atención a estos símbolos.

**▲PELIGRO:** indica una situación de peligro inminente que, si no se evita, provocará la muerte o lesiones graves.

**▲ADVERTENCIA:** indica una situación de peligro potencial que, si no se evita, podría provocar la muerte o lesiones graves.

**▲PRECAUCIÓN:** indica una situación de peligro potencial que, si no se evita, posiblemente provocaría lesiones leves o moderadas.

**PRECAUCIÓN:** cuando se utiliza sin el símbolo de alerta de seguridad indica una situación de peligro potencial que, si no se evita, puede provocar daños en la propiedad.

## CONSERVE ESTAS INSTRUCCIONES

### General Safety Rules

**▲ADVERTENCIA:** lea todas las instrucciones antes de operar el producto. El incumplimiento de todas y cada una de las instrucciones enumeradas a continuación puede provocar una descarga eléctrica, un incendio y/o lesiones graves.

## CONSERVE ESTAS INSTRUCCIONES

**▲ADVERTENCIA:** RESPETE TODOS LOS CÓDIGOS DE CABLEADO y las conexiones eléctricas recomendadas para prevenir los riesgos de descargas eléctricas o electrocución.

### Instrucciones de conexión a tierra

Para realizar la conexión a tierra de la sierra, lea las siguientes instrucciones.

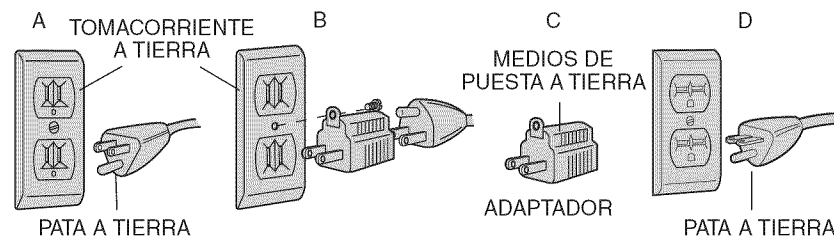
**▲PELIGRO: RIESGO DE DESCARGA ELÉCTRICA. ESTA MÁQUINA DEBE ESTAR CONECTADA A TIERRA MIENTRAS ESTÉ EN USO. DE LO CONTRARIO, PUEDE CAUSAR LESIONES GRAVES.**

### TODAS LAS MÁQUINAS ESTÁN PUESTAS A TIERRA Y CONECTADAS A TRAVÉS DE UN CABLE

En caso de un mal funcionamiento o falla, la conexión a tierra proporciona un trayecto de la menor resistencia posible para reducir el riesgo de que la corriente ocasione una descarga eléctrica. Esta máquina está equipada con un cable eléctrico que tiene un conductor y un enchufe para poner el equipo a tierra. El enchufe se debe utilizar con un tomacorriente adecuado que haya sido instalado correctamente y conectado a tierra de acuerdo con todos los códigos y las ordenanzas locales. No cambie el enchufe suministrado; si no se adapta apropiadamente al tomacorriente, solicite a un electricista calificado que instale el tomacorriente correcto. Como consecuencia de una conexión inadecuada del conductor a tierra del equipo se puede generar un riesgo de descarga eléctrica. El conductor a tierra del equipo es el que tiene un aislante de color verde en la superficie externa, con o sin bandas amarillas. Si fuera necesario reparar o reemplazar el cable eléctrico, no conecte el conductor a tierra del equipo a una terminal de baja tensión. Llame a un electricista calificado o al personal del servicio para que verifique las conexiones si no comprende completamente las instrucciones de conexión a tierra o si duda de que la máquina esté conectada a tierra correctamente. Utilice solamente cables prolongadores de 3 conductores que tengan enchufes a tierra de 3 patas y tomacorrientes de 3 conductores que se adapten al enchufe de la máquina, como se muestra en la Figura A. Repare o reemplace los cables dañados o gastados inmediatamente.

### MÁQUINAS PUESTAS A TIERRA, CONECTADAS A TRAVÉS DE UN CABLE Y DISEÑADAS PARA SER UTILIZADAS EN UN CIRCUITO DE SUMINISTRO CON UN ÍNDICE NOMINAL MENOR A 150 VOLTIOS

Si la máquina está diseñada para utilizarse en un circuito que tiene un tomacorriente, similar al que ilustra la Figura A, tendrá un enchufe a tierra parecido al que ilustra la Figura A. Si no dispone de un tomacorriente correctamente conectado a tierra, puede usar un adaptador provisional, similar al que ilustra la Figura B, para conectar este enchufe a un tomacorriente para dos patas correspondiente, como el que se muestra en la Figura B. El adaptador provisional únicamente debe usarse hasta que un electricista calificado instale un tomacorriente correctamente conectado a tierra. La oreja, la lengüeta, o algo semejante, de color verde que sale del adaptador debe estar conectada a tierra en forma permanente por medio de una caja de tomacorriente conectado a tierra correctamente. Cuando se utilice el adaptador, debe estar fijo con un tornillo de metal.



**NOTA:** en Canadá, el Código de Electricidad Canadiense no permite el uso de adaptadores provisionales.

**▲PELIGRO: EN TODOS LOS CASOS, ASEGÚRESE DE QUE EL TOMACORRIENTE EN USO ESTÉ CONECTADO A TIERRA CORRECTAMENTE. SI NO ESTÁ SEGURO, CONTRATE A UN ELECTRICISTA CALIFICADO PARA QUE VERIFIQUE EL TOMACORRIENTE.**

### Doble aislamiento

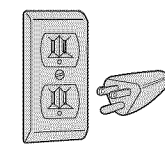
Si la sierra tiene un sistema de doble aislamiento, lea las siguientes instrucciones.

Las herramientas de doble aislamiento están fabricadas en su totalidad con dos capas separadas o con una capa de doble espesor de aislamiento eléctrico, que protege al usuario del sistema eléctrico de la herramienta. Las herramientas fabricadas con este sistema de aislamiento no requieren conexión a tierra. En consecuencia, esta herramienta está equipada con un enchufe de dos conectores que le permite utilizar cables prolongadores sin tener que preocuparse por mantener la conexión a tierra. Repare o reemplace los cables dañados o gastados inmediatamente.

**NOTA:** el doble aislamiento no sustituye las precauciones normales de seguridad que se deben tomar al utilizar la herramienta. El sistema de aislamiento es una medida de protección adicional contra cualquier lesión resultante de una posible falla eléctrica del sistema de aislamiento interno de la herramienta.

### ENCHUFES POLARIZADOS

Para disminuir el riesgo de descargas eléctricas, este equipo posee un enchufe polarizado (una hoja es más amplia que la otra). Este enchufe se calza en un tomacorriente polarizado de una sola manera. Si el enchufe no se ajusta totalmente en el tomacorriente, invierta el enchufe. Si aun así no se ajusta bien, recurra a un electricista calificado para que instale un tomacorriente adecuado. No cambie el enchufe de ninguna manera.



## Instrucciones de seguridad importantes

- **PARA REDUCIR EL RIESGO DE RETROCESO Y OTRAS LESIONES, MANTENGA LOS PROTECTORES INSTALADOS ADECUADAMENTE** y en funcionamiento en todo momento.
- **RETIRE LAS LLAVES DE AJUSTE Y LLAVES DE TUERCAS.** Acostúmbrese a verificar que se hayan retirado del eje las llaves de ajuste y las llaves de tuercas antes de encender la herramienta. Las herramientas, las piezas de descarte y otro tipo de desechos pueden salir despedidos a alta velocidad y provocar lesiones.
- **MANTENGA LIMPIA EL ÁREA DE TRABAJO.** Los espacios y los bancos de trabajo abarrotados propician accidentes.
- **NO UTILICE LA MÁQUINA EN LUGARES PELIGROSOS.** El uso de herramientas eléctricas en lugares húmedos o mojados o bajo la lluvia puede provocar descargas eléctricas o electrocución. Mantenga su área de trabajo bien iluminada para evitar tropezones o poner en peligro brazos, manos y dedos.
- **MANTENGA A LOS NIÑOS ALEJADOS.** Los visitantes deben mantenerse a una distancia segura del área de trabajo. Su taller es un lugar potencialmente peligroso.
- **PROCURE QUE SU TALLER SEA INACCESIBLE PARA LOS NIÑOS** instale candados e interruptores maestros, o retire las llaves que accionan las herramientas. Si un niño o un visitante enciende una máquina sin autorización, podría producirle lesiones.
- **NO FUERCE LA HERRAMIENTA.** Funcionará mejor y será más segura si la utiliza a la velocidad para la que fue diseñada.
- **UTILICE LA HERRAMIENTA ADECUADA.** No fuerce la herramienta o el accesorio para realizar tareas para las que no fueron diseñados. Usar la herramienta o el accesorio incorrecto puede causar lesiones personales.
- **UTILICE EL CABLE PROLONGADOR APROPIADO.** Asegúrese de que el cable prolongador esté en buenas condiciones. Si su herramienta está equipada con un juego de cables, utilice solamente cables prolongadores de 3 conductores que tengan enchufes a tierra de 3 patas y tomacorrientes tripolares que se adapten al enchufe de la herramienta. Cuando utilice un cable prolongador, asegúrese de que tenga la capacidad para conducir la corriente que su producto exige. Un cable de menor capacidad provocará una disminución en el voltaje de la línea, lo cual producirá una pérdida de potencia y sobrecalentamiento. La siguiente tabla muestra la medida correcta que debe utilizar según la longitud del cable y la capacidad nominal en amperios indicada en la placa. En caso de duda, utilice el calibre inmediatamente superior. Cuanto menor es el número de calibre, más grueso es el cable.

**CALIBRE MÍNIMO PARA LOS JUEGOS DE CABLES**

Voltios	Largo total del cable en pies			
	0-25	26-50	51-100	101-150
120 V				
240 V	0-50	51-100	101-200	201-300
Capacidad nominal en amperios				
Más que	No más que	AWG		
0 - 6	18	16	16	14
6 - 10	18	16	14	12
10 - 12	16	16	14	12
12 - 16	14	12	No recomendado	

- **UTILICE INDUMENTARIA ADECUADA.** No utilice ropa holgada, guantes, corbatas, anillos, pulseras u otras alhajas que puedan quedar atrapadas entre las piezas móviles. Se recomienda el uso de calzado antideslizante. Recójase y cubra el cabello largo. Los orificios de ventilación pueden cubrir piezas en movimiento, por lo que también se deben evitar.

- **SIEMPRE USE LENTES DE SEGURIDAD.** Everyday eyeglasses are NOT safety glasses. Also use face or dust mask if cutting opLos anteojos de uso diario NO son lentes de seguridad. Utilice también máscaras faciales o para polvo si el corte produce polvillo. Utilice SIEMPRE equipos de seguridad certificados:
  - Protección para los ojos según la norma ANSI Z87.1 (CAN/CSA Z94.3)
  - Protección auditiva según la norma ANSI S12.6 (S3.19)
  - Protección respiratoria según las normas NIOSH/OSHA/MSHA.
- **NO SE ESTIRE.** Conserve el equilibrio y párese adecuadamente en todo momento. La pérdida de equilibrio podría provocar lesiones personales.
- **CONSERVE LAS HERRAMIENTAS ADECUADAMENTE.** Mantenga las hojas afiladas y limpias para obtener un rendimiento óptimo y seguro. Siga las instrucciones para lubricar y cambiar los accesorios. Las máquinas y las hojas que carecen de un mantenimiento adecuado pueden dañar aún más la máquina o la hoja o causar lesiones.
- **APAGUE LA MÁQUINA Y DESCONÉCTELA DE LA FUENTE DE ALIMENTACIÓN** las configuraciones o cuando haga reparaciones. No toque las patas de metal del enchufe al enchufar o desenchufar el cable. Un arranque accidental podría causar lesiones.
- **REDUZCA EL RIESGO DE ENCENDIDO ACCIDENTAL.** Asegúrese de que el interruptor esté en la posición "OFF" (de apagado) antes de enchufar el cable de alimentación. En caso de un corte de corriente, mueva el interruptor a la posición de "OFF" (de apagado). Un arranque accidental podría causar lesiones.
- **UTILICE ACCESORIOS RECOMENDADOS.** Utilice sólo accesorios recomendados por el fabricante para el modelo que posee. Los accesorios que pueden ser aptos para una herramienta, pueden convertirse en un factor de riesgo cuando se utilizan en otra herramienta. Consulte el manual de instrucciones para obtener información acerca de los accesorios recomendados. La utilización de accesorios inadecuados puede ocasionar lesiones personales.
- **NUNCA SE PARE SOBRE LA HERRAMIENTA.** Si la herramienta se cae o alguien toca accidentalmente el elemento cortante, podrían producirse lesiones graves.
- **VERIFIQUE QUE NO HAYA PIEZAS DAÑADAS.** Antes de volver a utilizar la herramienta, se deben controlar cuidadosamente los protectores o cualquier otra pieza dañada para asegurar el funcionamiento y el rendimiento apropiados de la herramienta en la aplicación deseada. Verifique la unidad para comprobar la alineación de las piezas móviles, si hay piezas dañadas, bloqueos o cualquier otra situación que pueda afectar el funcionamiento de la herramienta. Los protectores u otras piezas dañadas deben ser correctamente reparados o reemplazados. No utilice la herramienta si no puede encenderla o apagarla con el interruptor. Las piezas dañadas pueden deteriorar la máquina aún más o causar lesiones.
- **DIRECCIÓN DE ALIMENTACIÓN.** Introduzca la pieza de trabajo solamente en dirección contraria a la rotación de la hoja o cortadora.
- **NUNCA DEJE LA HERRAMIENTA EN FUNCIONAMIENTO Y SIN ATENCIÓN. DESCONECTE LA ENERGÍA.** No suelte la herramienta hasta que no se haya detenido por completo. Puede causar lesiones grave.
- **NO OPERE HERRAMIENTAS ELÉCTRICAS CERCA DE LÍQUIDOS INFLAMABLES O EN ATMÓSFERAS GASEOSAS O EXPLOSIVAS.** Los motores e interruptores de estas herramientas originan chispas que pueden encender los vapores.
- **MANTÉNGASE ALERTA, PONGA ATENCIÓN EN LO QUE ESTÁ HACIENDO Y USE EL SENTIDO COMÚN. NO UTILICE LA MÁQUINA SI ESTÁ CANSADO O BAJO EL EFECTO DE DROGAS, ALCOHOL O MEDICAMENTOS.** Un momento de descuido mientras se opera una herramienta eléctrica puede provocar daños graves.

- **NO IGNORE LAS REGLAS DE SEGURIDAD POR ESTAR FAMILIARIZADO CON LA HERRAMIENTA (debido al uso frecuente de su sierra).** Recuerde siempre que un descuido de una fracción de segundo es suficiente para causar lesiones graves.

## Normas de seguridad adicionales para las sierras de banco

⚠ **ADVERTENCIA: USE SIEMPRE LENTES DE SEGURIDAD.** Everyday eyeglasses are NOT safety glasses. Also use face or dust mask if cutting operatLos anteojos de uso diario NO son lentes de seguridad. Utilice también máscaras faciales o para polvo si el corte produce polvillo. Todos los usuarios y espectadores SIEMPRE DEBEN utilizar equipo de protección certificado:

- Protección para los ojos ANSI Z87.1(CAN/CSA Z94.3),
- protección auditiva ANSI S12.6 (S3.19),
- Protección respiratoria según las normas NIOSH/OSHA/MSHA.
- **EVITE POSICIONES COMPLICADAS**, donde un desliz repentino podría provocar que la mano se desplace hacia la hoja.
- **NUNCA ESTIRE NINGUNA DE LAS MANOS POR DETRÁS O ALREDEDOR DE LA HERRAMIENTA DE CORTE** para sostener la pieza de trabajo.
- **MANTENGA LOS BRAZOS, LAS MANOS Y LOS DEDOS LEJOS** de la hoja para prevenir lesiones graves.
- **USE UNA VARA DE EMPUJE O UN BLOQUE DE EMPUJE ADECUADO PARA LA APLICACIÓN PARA EMPUJAR LA PIEZA DE TRABAJO A TRAVÉS DE LA SIERRA.** Una vara de empuje es una vara de madera u otro material que no sea metal, por lo general de confección casera, que se debe usar siempre que el tamaño o la forma de la pieza de trabajo lo obligue a poner sus manos a menos de 152 mm (6 pulgadas) de la hoja. **Utilice patrones, plantillas sujetadoras, tablas de canto biselado u otras formas de sujeción para dirigir y controlar la pieza de trabajo cuando no pueda utilizar el protector.** Utilice el conjunto protector de la hoja y hendedor en todas las operaciones en las que se pueda usar, incluidos todos los cortes pasantes.
- **NO REALICE A PULSO CORTES LONGITUDINALES O TRANSVERSALES NI NINGUNA OTRA OPERACIÓN.**
- **NUNCA** se extienda alrededor o por detrás de la hoja de la sierra.
- **ESTABILIDAD.** Antes de usar la sierra de banco, confirme que esté firmemente montada en una superficie segura y que no se mueva.
- **NUNCA CORTE METALES FERROSOS** (que contengan hierro o acero), **TABLAS DE CEMENTO O MAMPOSTERÍA.** Para cortar ciertos materiales sintéticos con las sierras de banco se deben seguir instrucciones especiales. Siga las recomendaciones del fabricante en todo momento. De lo contrario, la sierra se puede dañar o se pueden producir lesiones personales.
- **PARA REDUCIR EL RIESGO DE QUE UNA PIEZA DE TRABAJO SALGA DESPEDIDA Y OCASIONE LESIONES PERSONALES** la placa para ranuras adecuada debe estar instalada en todo momento.
- **UTILICE LA HOJA DE SIERRA ADECUADA PARA LA OPERACIÓN QUE REALIZARÁ.** La hoja debe rotar hacia el frente de la sierra. Ajuste siempre la tuerca de eje de la hoja en forma segura. Antes de usar, inspeccione la hoja para detectar grietas o dientes faltantes. No utilice hojas dañadas.
- **NUNCA TRATE DE LIBERAR UNA HOJA ATASCADA SIN APAGAR LA MÁQUINA PRIMERO Y DESCONECTAR LA SIERRA DE LA FUENTE DE ALIMENTACIÓN.** Si una pieza de trabajo o de corte queda atrapada en el protector, apague la sierra y espere hasta que la hoja se detenga antes de levantar el protector y retirar la pieza.
- **NUNCA ENCIENDA LA MÁQUINA** con la pieza de trabajo contra la hoja para reducir el riesgo de que la pieza de trabajo salga despedida y ocasione lesiones personales.

- **NUNCA** coloque la pieza de trabajo entre la guía y un cabezal portacuchilla para moldura para reducir el riesgo de que la pieza de trabajo salga despedida y ocasione lesiones personales.
- **NUNCA se ubique de modo que alguna parte del cuerpo quede en la misma línea que el trayecto de la hoja de la sierra.** Se producirán lesiones graves.
- **NUNCA REALICE TRABAJOS DE TRAZADO, ARMADO O INSTALACIÓN** en el banco o el área de trabajo cuando la máquina esté en funcionamiento. Un deslizamiento repentino podría llevar la mano hacia la hoja. Esto puede causar lesiones graves.
- **LIMPIE EL BANCO Y EL ÁREA DE TRABAJO ANTES DE ABANDONARLOS.** Bloquee el interruptor en la posición "OFF" (de apagado) y desconecte la herramienta de la fuente de alimentación para evitar el uso no autorizado.
- **NO DEJE UNA TABLA LARGA (ni otra pieza de trabajo) sin apoyo ya que el rebote de la tabla ocasiona su desplazamiento lateral sobre el banco, lo que a su vez ocasiona la pérdida de control y posibles lesiones.** Teniendo en cuenta el tamaño de la pieza de trabajo y el tipo de operación que realizará, suministre el apoyo adecuado a la pieza de trabajo. Sostenga el trabajo firmemente contra la guía y hacia abajo contra la superficie del banco.
- **NO OPERE ESTA MÁQUINA** hasta que no esté armada e instalada completamente, según las instrucciones. Una máquina montada de manera incorrecta puede provocar lesiones graves.
- **SOLICITE EL ASESORAMIENTO** de su supervisor, instructor o alguna persona calificada si no está familiarizado con el funcionamiento de esta máquina. El conocimiento garantiza la seguridad.
- Encontrará **INFORMACIÓN ADICIONAL** disponible acerca de la operación correcta y segura de herramientas eléctricas (por ejemplo: un vídeo de seguridad) en el Instituto de Herramientas Eléctricas (Power Tool Institute), 1300 Sumner Avenue, Cleveland, OH 44115-2851 ([www.powertoolinstitute.com](http://www.powertoolinstitute.com)). Además, encontrará información disponible en el Consejo Nacional de Seguridad (National Safety Council), 1121 Spring Lake Drive, Itasca, IL 60143-3201. Remítase a los Requisitos de Seguridad 01.1 para las máquinas de carpintería del Instituto Estadounidense de Normas Nacionales (American National Standards Institute - ANSI) y a las Normas OSHA 1910.213 del Ministerio de Trabajo de los Estados Unidos.

## TÉRMINOS: LOS SIGUIENTES TÉRMINOS SE USARÁN A LO LARGO DEL MANUAL Y USTED DEBERÁ FAMILIARIZARSE CON ELLOS.

- **Corte pasante:** se refiere a cualquier corte que secciona la pieza de trabajo por completo.
- **Vara de empuje:** se refiere a una vara de madera, por lo general de confección casera, que se usa para empujar piezas de trabajo pequeñas a través de la sierra y mantiene las manos del operador fuera del alcance de la hoja.
- **Retroceso:** ocurre cuando la hoja se atasca durante el corte y despiende con violencia la pieza de trabajo hacia atrás, en dirección al operador.
- **A pulso:** se refiere al corte de una pieza de trabajo sin un calibrador de inglete, una guía de corte longitudinal o cualquier otro medio de guía o sujeción que la mano del operador.

## PROTECTOR DE LA HOJA Y HENDEDOR

Su sierra está equipada con el conjunto protector de la hoja y hendedor, que cubre la hoja y evita el contacto accidental. El hendedor es una placa plana que se ajusta al corte que realiza la hoja y que reduce la posibilidad de retroceso con eficacia al disminuir la tendencia de la hoja de atascarse durante el corte. El hendedor sólo se puede usar cuando se realizan cortes pasantes. Cuando se realizan rebajos y otros cortes que no seccionan la madera, el conjunto protector de la hoja y hendedor se debe retirar de la sierra. El hend-

edor posee dos seguros antirretroceso que permiten que la hoja atraviese la madera en la dirección de corte, pero que la bloquean si trata de retroceder en dirección al operador.

#### VARAS DE EMPUJE (Cara Interna de la Contratapa)

- Para operar su sierra de banco en forma segura, toda vez que el tamaño o la forma de la pieza de trabajo requiera que coloque sus manos a 152 mm (6") o menos de la hoja de la sierra u otra cortadora, debe utilizar una vara de empuje. Esta sierra incluye una vara de empuje.
- Para fabricar una vara de empuje no se requiere ninguna madera especial, en tanto se trate de un trozo de madera suficientemente fuerte y largo. Se recomienda utilizar varas de empuje de 305 mm (12") con una muesca que se ajuste contra el borde de la pieza de trabajo para evitar que se resbale. También se aconseja tener varias varas de empuje del mismo largo [305 mm (12")] con muescas de diferentes tamaños para utilizar con piezas de trabajo de distintos espesores.
- Consulte la cara interna de la contratapa para ver una imagen de una vara de empuje. En tanto que cumpla con la función de mantener las manos alejadas de la hoja, la forma de la vara de empuje puede variar según sus necesidades individuales.

#### RETROCESOS

##### Cómo evitarlos y protegerse contra lesiones personales

- Asegúrese de que la guía de corte longitudinal esté paralela a la hoja de la sierra.
- Al realizar cortes longitudinales, no aplique la fuerza de alimentación sobre la sección de la pieza de trabajo que corresponderá a la pieza cortada (libre). Cuando corte al hilo, la fuerza de alimentación se debe aplicar siempre entre la hoja de la sierra y la guía; utilice una vara de empuje para las piezas de trabajo cortas, de 152 mm (6") o menos. Para las piezas de trabajo de 51 mm (2") de ancho o menos, debe utilizar un accesorio especial.
- Mantenga el protector de la hoja, el hendedor y los dientes antirretroceso instalados correctamente y en funcionamiento. Mantenga los dientes afilados. Si los dientes no están en condiciones de funcionamiento, devuelva la unidad al centro de mantenimiento DEWALT más cercano para su reparación. El hendedor debe estar alineado con la hoja y los dientes deben detener un retroceso una vez que ha comenzado. Para controlar la acción de los dientes antirretroceso, antes de realizar cortes longitudinales, empuje la madera debajo de éstos. Los dientes deben evitar que la madera salga despedida hacia el frente de la sierra.
- Su sierra también puede cortar plástico y materiales compuestos, como madera aglomerada. Sin embargo, como estos materiales suelen ser bastante duros y resbaladizos, es posible que los seguros antirretroceso no detengan un retroceso. Por lo tanto, cuando realice cortes longitudinales, sea especialmente cuidadoso y siga los siguientes procedimientos de instalación y corte.
- Utilice el conjunto protector de la hoja y hendedor en todas las operaciones en las que se pueda usar, incluidos todos los cortes pasantes.
- Antes de soltar la pieza de trabajo, empújela hasta que pase la hoja de la sierra.
- NUNCA** realice un corte longitudinal en una pieza de trabajo que esté torcida o deformada o sin un borde recto que sirva de guía.
- Cuando no se pueda utilizar el dispositivo antirretroceso o el protector y el hendedor, use tablas de canto biselado.
- NUNCA** corte una pieza de trabajo grande que no pueda controlar.
- NUNCA** use la guía de corte longitudinal como guía o tope longitudinal cuando realice cortes transversales.
- NUNCA** corte una pieza de trabajo que tenga nudos sueltos, defectos, clavos u otros objetos extraños.
- NUNCA** corte al hilo una pieza de trabajo más corta que 254 mm (10").

**⚠ADVERTENCIA:** algunas partículas originadas al lijar, aserrar, esmerilar, taladrar y realizar otras actividades de construcción contienen productos químicos reconocidos por

el Estado de California como causantes de cáncer, defectos congénitos u otros problemas reproductivos. Algunos ejemplos de estos productos químicos son:

- el plomo de las pinturas de base plomo,
- la sílice cristalina de ladrillos, el cemento y otros productos de mampostería, y
- el arsénico y el cromo de la madera con tratamiento químico (CCA).

El riesgo derivado de estas exposiciones varía según la frecuencia con la que se realice este tipo de trabajo. Para reducir la exposición a estos productos químicos, se recomienda trabajar en áreas bien ventiladas y usar equipos de seguridad aprobados, como las máscaras para polvo especialmente diseñadas para filtrar las partículas microscópicas.

- **Evite el contacto prolongado con las partículas de polvo originadas al lijar, aserrar, esmerilar, taladrar y realizar demás actividades de la construcción. Use indumentaria protectora y lave las áreas expuestas con agua y jabón.** Evite que el polvo entre en la boca y en los ojos o se deposite en la piel, para impedir la absorción de productos químicos nocivos.

**⚠ADVERTENCIA:** el uso de esta herramienta puede generar o dispersar polvo. Esto puede provocar problemas respiratorios graves y permanentes u otras lesiones. Use siempre protección respiratoria apropiada para la exposición al polvo aprobada por el Instituto Nacional de Salud y Seguridad Ocupacional de EE.UU. y la Administración de Salud y Seguridad Ocupacional de EE.UU. (NIOSH y OSHA respectivamente, por sus siglas en inglés). Aleje la cara y el cuerpo del contacto con las partículas. Siempre opere la herramienta en áreas con buena ventilación y procure eliminar el polvo adecuadamente. Utilice un sistema de recolección de polvo, donde sea posible.

### CONSERVE LAS INSTRUCCIONES PARA VOLVER A CONSULTAR EN EL FUTURO

#### Specifications

##### 15 AMPERIOS

Ángulo de inglete	60° a la derecha y a la izquierda	
Ángulo de bisel	0° a 45° a la izquierda	
Tamaño de la hoja	254 mm (10")	
Profundidad máxima de corte	Bisel a 0°	79 mm (3-1/8")
Profundidad máxima de corte	Bisel a 45°	57 mm (2-1/4")
RPM, sin carga	3 850	

FIG. 1

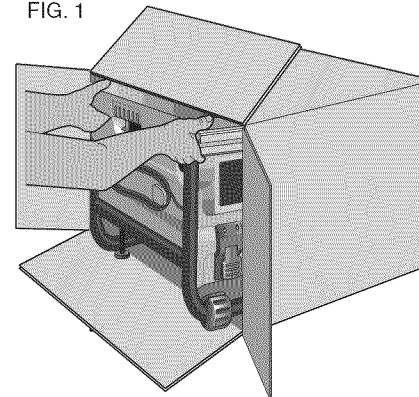
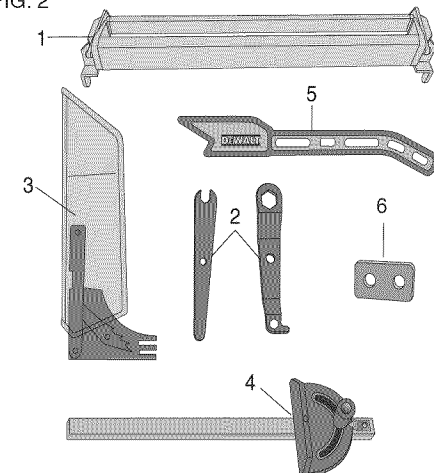


FIG. 2



## Desembalaje

**⚠ADVERTENCIA:** para reducir el riesgo de lesiones, no conecte la máquina a la fuente de alimentación hasta que esté completamente ensamblada y usted haya leído y comprendido todo el manual de instrucciones.

Abra la caja y retire la sierra, como se muestra en la Figura 1. Con cuidado, desembale la sierra de banco y todos los artículos sueltos contenidos en la caja. Examine todas las piezas para asegurarse de que no se han dañado durante el envío. Si alguna pieza está dañada o falta, contacte a su distribuidor local para reemplazarla antes de ensamblar la herramienta.

Consulte la Figura 2 para conocer las piezas sueltas y el equipo que incluye la sierra:

1. Guía de corte longitudinal
2. Llave para eje y llave para husillo (acoplados a la base de la sierra)
3. Protector de la hoja
4. Calibrador de inglete
5. Varilla de empuje (acoplada a la base de la sierra)
6. Cuñas adicionales del protector

## CARACTERÍSTICAS (Fig. 3, 4)

Analice las Figuras 3 y 4 para familiarizarse con la sierra y sus diversas piezas. Estos términos aparecerán en las siguientes secciones sobre el ensamblaje y los ajustes y usted debe saber a qué piezas se refieren y dónde se encuentran.

FIG. 3

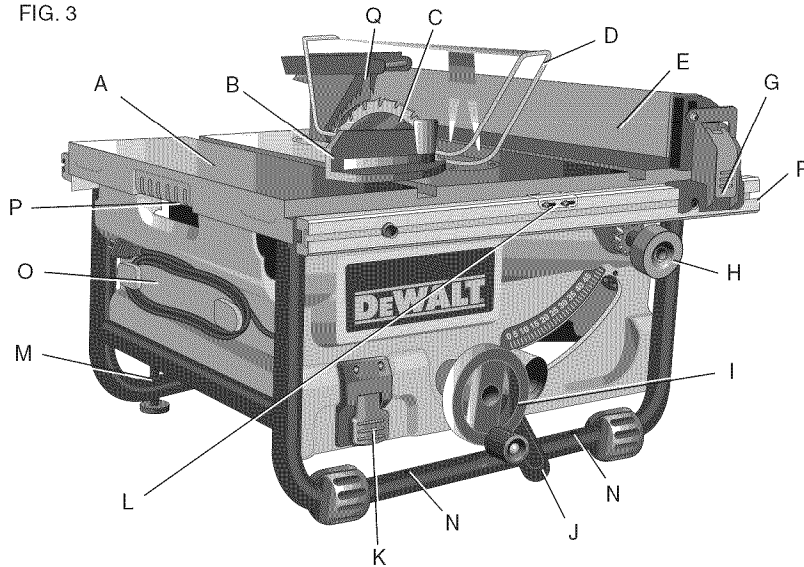


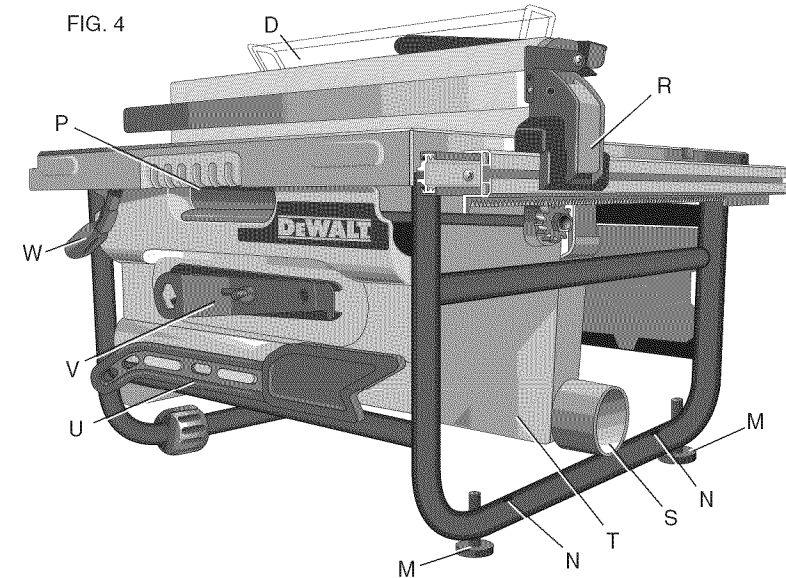
FIGURA 3

- |                          |  |
|--------------------------|--|
| A. Banco                 | J. Palanca de bloqueo del bisel              |
| B. Calibrador de inglete | K. Interruptor de ENCENDIDO/APAGADO (ON/OFF) |
| C. Hoja                  | L. Indicador de guía de corte longitudinal   |
| D. Protector de la hoja  | M. Patas ajustables                          |
| E. Guía                  |  |

- |   |                           |
|---|---------------------------|
| F. Rieles de la guía                                | N. Orificios para montaje |
| G. Cerrojo frontal de la guía de corte longitudinal | O. Enrollacable           |
| H. Perilla de ajuste fino                           | P. Mango                  |
| I. Rueda de ajuste de la altura de la hoja          | Q. Dientes antirretroceso |

FIGURE 4

- |   |                                       |
|---|---------------------------------------|
| R. Cerrojo trasero de la guía de corte longitudinal | V. Llave para eje, llave para husillo |
| S. Colector de polvo                                | W. Palanca de bloqueo de riel         |
| T. Cubierta para polvo                              |                                       |
| U. Vara de empuje                                   |                                       |



## ENSAMBLAJE

**⚠ADVERTENCIA:** Riesgo de descarga eléctrica. Para reducir el riesgo de lesiones personales graves, apague la unidad y desconéctela de la fuente de alimentación antes de intentar moverla, cambiar accesorios o realizar ajustes.

### ENSAMBLE SU SIERRA EN EL SIGUIENTE ORDEN

1. Guía de corte longitudinal (**NOTA:** antes de proceder, ajuste la escala de corte; consulte la sección **Ajuste de la escala de corte.**)
2. Protector de la hoja
3. Vara de empuje
4. Calibrador de inglete (si la aplicación lo requiere)
5. Manivela de ajuste de la altura de la hoja

Las herramientas que se necesitan para ensamblar la sierra incluyen un destornillador Phillips y las llaves que incluye su sierra.

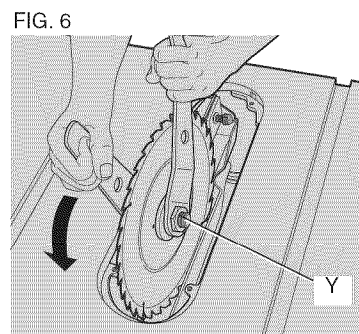
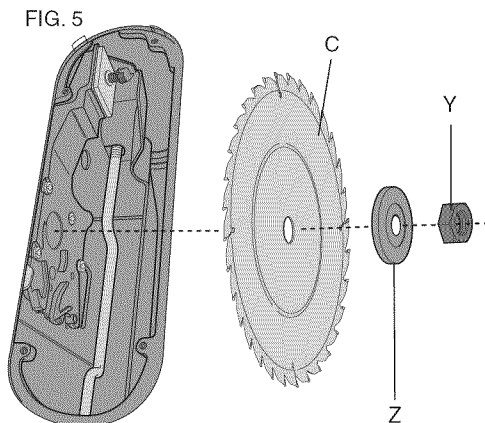
## Hoja

### ACOPLAMIENTO Y REEMPLAZO DE LA HOJA

1. Gire la rueda de ajuste de la altura de la hoja (I) en el sentido de las agujas del reloj hasta elevar el eje de la hoja hasta su altura máxima.
2. Si necesita reemplazar la hoja, retire el protector de la hoja (D) y la placa para ranuras (X) antes de instalar la hoja nueva. (Consulte la sección **Extracción del protector de la hoja y Extracción de la placa para ranuras**).

**NOTA:** es posible que resulte más fácil cambiar la hoja si está biselada a 45°.

3. Retire la tuerca del eje (Y) y la arandela exterior (Z) y déjelos a un lado.
4. Coloque la hoja (C) en el eje y asegúrese de que los dientes de la hoja apunten hacia abajo y hacia el frente de la sierra.
5. Coloque la arandela exterior (Z) contra la hoja, con el lado elevado hacia afuera, y ajuste manualmente la tuerca del eje contra la arandela tanto como sea posible. Antes de instalar la arandela exterior y la tuerca del eje, asegúrese de que estén libres de polvo y suciedad.
6. Para ajustar aún más la tuerca del eje (Y), use la llave para husillo de extremo abierto (suministrada) para evitar que el husillo rote (Fig. 6).
7. Para sostener la tuerca y ajustarla en el sentido de las agujas del reloj, use la llave para eje (suministrada). Vuelva a colocar la llave en la tuerca del eje y repita el procedimiento las veces necesarias hasta ajustar con firmeza la tuerca y la arandela contra la hoja (Fig. 6).



### Guía de corte longitudinal

La guía de corte longitudinal se puede instalar a la izquierda o a la derecha de su sierra de banco.

FIG. 7

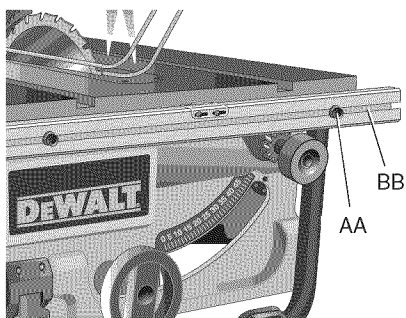
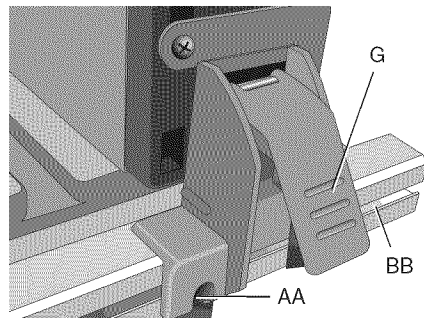


FIG. 8



### INSTALACIÓN DE LA GUÍA DE CORTE LONGITUDINAL (FIG. 7, 8)

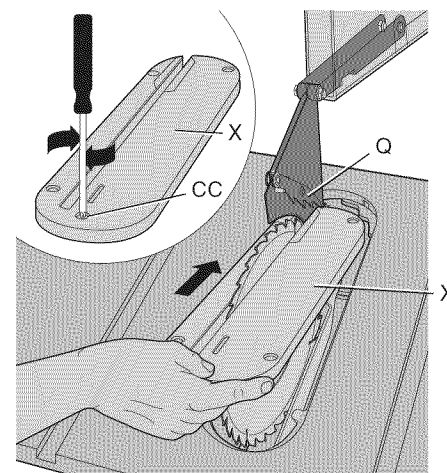
1. Alinee el tornillo indicador (AA) del riel de la guía (F) con la ranura principal de la guía y alinee el cerrojo (G) con la abertura (BB).
2. Para asegurar la guía de corte longitudinal, cierre los cerrojos sobre los rieles como se muestra en la Figura 8. Asegúrese de que ambos cerrojos, el frontal (G) y el trasero (R), encajen en el lugar.

### Placa para ranuras (Fig. 9)

#### EXTRACCIÓN DE LA PLACA PARA RANURAS

1. Para retirar la placa para ranuras (X), gire el tornillo de la cerradura de leva (CC) ubicado en la parte media frontal un cuarto de vuelta como se muestra.
2. Introduzca el extremo en forma de gancho de la llave para eje en la ranura de la placa y tire hacia arriba y hacia delante para exponer el interior de la sierra.

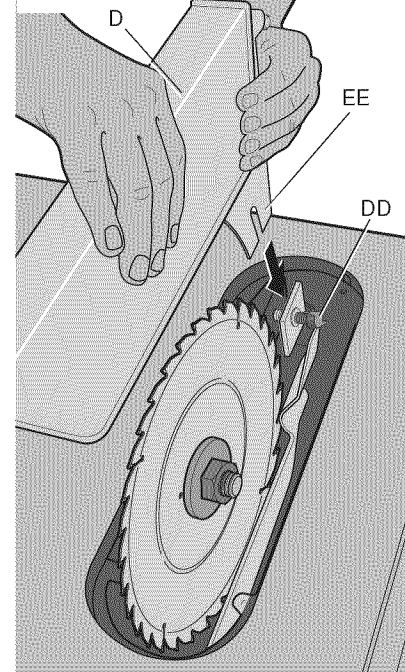
FIG. 9



#### ACOPLAMIENTO DE LA PLACA PARA RANURAS

1. Alinee la placa para ranuras como se muestra en la Figura 9 e introduzca las lengüetas de la parte posterior de la placa para ranuras en los orificios ubicados en la parte posterior del banco.
2. Rote la leva fuera del trayecto hasta que la parte frontal de la placa para ranuras calce en su lugar. Gire un cuarto de vuelta y asegure (cuando la cerradura de leva esté debajo del banco y la placa para ranuras esté instalada), como se muestra en la figura Figura 9.
3. La placa para ranuras incluye cuatro tornillos de regulación que la elevan y bajan. Cuando está correctamente ajustada, la parte frontal de la placa para ranuras debe estar al ras o ligeramente por debajo de la superficie de la parte superior del banco y asegurada en su lugar. La parte posterior de la placa para ranuras debe estar al ras o ligeramente por encima de la para superior del banco.

FIG. 10A



**⚠PRECAUCIÓN:** para reducir el riesgo de lesiones personales graves, la placa para ranuras debe estar instalada en su lugar en todo momento.

### Protector de la hoja

#### ACOPLAMIENTO DEL PROTECTOR DE LA HOJA

1. Retire la placa para ranuras. (Consulte la sección **Placa para ranuras**).



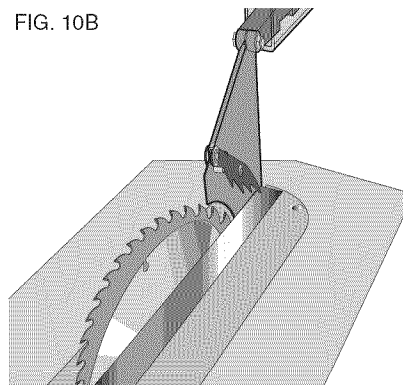
2. Gire la rueda de ajuste de la altura de la hoja (I) en el sentido de las agujas del reloj hasta elevar el eje de la hoja hasta su altura máxima.
3. Afloje la tuerca mariposa (DD) [un mínimo de tres vueltas completas].
4. Introduzca el hendedor (EE) en el mecanismo de bloqueo de la sierra como se muestra en la Figura 10A hasta que el protector encaje en su lugar. Tire del protector hacia arriba para confirmar que está asegurado.
5. Ajuste la tuerca mariposa contra el mecanismo de bloqueo.

**IMPORTANTE:** EL PROTECTOR DE LA HOJA DEBE ESTAR INSTALADO PARA REALIZAR TODOS LOS CORTES POSIBLES.

**ADVERTENCIA:** antes de conectar la sierra de banco a la fuente de alimentación u operar la sierra, controle siempre que el conjunto protector de la hoja y del hendedor estén correctamente alineados y a la distancia apropiada de la hoja. Verifique la alineación después de cada cambio de ángulo de bisel.

Cuando la alineación es correcta, el hendedor estará en línea con la hoja en el nivel superior del banco y la parte superior de la hoja. Con un borde recto, asegúrese de que la hoja esté alineada con el hendedor, como se muestra en la Figura 10B. Sin energía de alimentación, ajuste la altura y la inclinación de la hoja a través de los extremos del recorrido y asegúrese de que el protector esté a la distancia adecuada de la hoja en todas las operaciones y que los dientes antirretroceso estén funcionando. Vuelva a colocar la placa para ranuras.

FIG. 10B

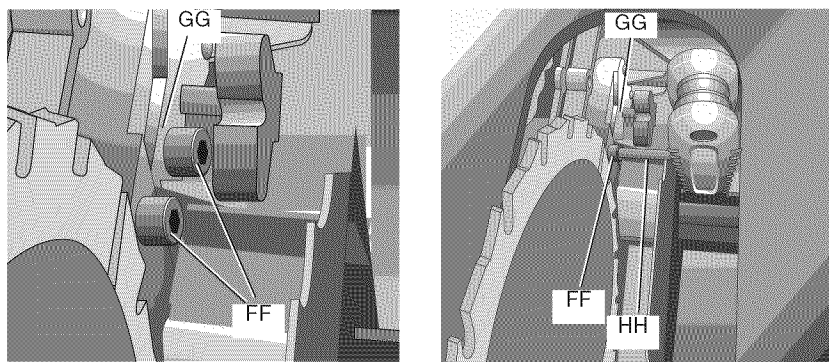


#### EXTRACCIÓN DEL PROTECTOR DE LA HOJA

1. Retire la placa para ranuras. (Consulte la sección **Placa para ranuras**).
2. Introduzca el extremo en forma de gancho de la llave para eje en la ranura de la placa y tire hacia arriba y hacia delante para exponer el interior de la sierra.
3. Voltee el protector hacia atrás y afloje la tuerca mariposa junto al mecanismo de leva del protector.
4. Presione la tuerca mariposa hacia el mecanismo del protector y saque el protector de la sierra.

**NOTA:** para facilitar el uso, el protector de la hoja se puede introducir directamente en la sierra sin necesidad de empujar la tuerca hacia dentro en dirección al mecanismo del protector. No obstante, la tuerca mariposa se debe ajustar de todos modos.

FIG. 11

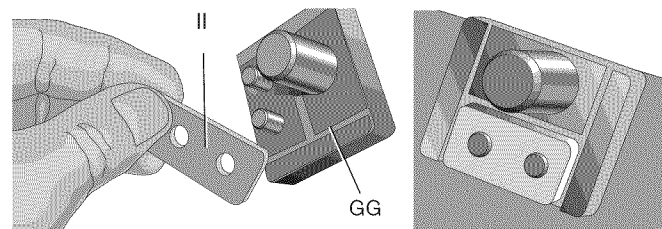


#### AJUSTE DEL PROTECTOR DE LA HOJA

El protector de la hoja y el hendedor vienen alineados de fábrica. En el caso de que sea necesario un ajuste adicional, se suministraron cuñas del protector adicionales para ajustar la alineación.

1. Eleve la hoja (C) al nivel más elevado.
2. Retire el protector de la hoja (D) y la hoja. (Consulte el apartado **Ajuste del protector de la hoja** en la sección *Protector de la hoja*).
3. Quite los dos tornillos (FF) que sostienen la retención del protector (GG) con una llave hexagonal de 5 mm (HH), como se muestra en la Figura 11.
4. Add or remove shims (II) to align the splitter to the blade.

FIG. 12



5. Vuelva a ensamblar y asegure bien los dos tornillos en su lugar. Corrobore que el hendedor esté alineado correctamente con la hoja. (Consulte el apartado **Ajuste del protector de la hoja** en la sección *Protector de la hoja*).

#### Vara de empuje

**ADVERTENCIA:** para reducir el riesgo de lesiones personales graves, tenga a mano la vara de empuje antes de comenzar el corte.

#### ACOPLAMIENTO DE LA VARA DE EMPUJE (FIG. 4)

La vara de empuje que incluye el modelo DW745 se monta a la derecha de la sierra, debajo del almacenamiento de las llaves para la hoja. Para acoplar la vara de empuje a la sierra, alinee las ranuras del mango de la vara con las clavijas de montaje de la cubierta de la sierra.

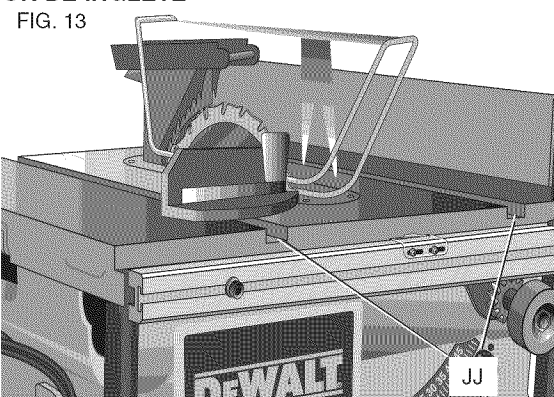
#### Calibrador de inglete

**NOTA:** se puede usar un calibrador de inglete frontal auxiliar grande.

#### ACOPLAMIENTO DEL CALIBRADOR DE INGLETE

El modelo DW745 incluye un calibrador de inglete para los materiales que requieren cortes transversales. El calibrador de inglete se puede insertar en una de las dos ranuras para el calibrador (JJ) en la parte superior del banco (Fig. 13).

**NOTA:** consulte las instrucciones para realizar cortes transversales y cortes transversales en bisel antes de realizar estas operaciones en la sierra de banco.



## Montaje en el banco de trabajo

**NOTA:** La base portátil está diseñada para ser usada con esta sierra y se puede conseguir en el centro de mantenimiento o distribuidor DEWALT local a un costo adicional.

### MONTAJE DE LA SIERRA EN EL BANCO

**▲ADVERTENCIA:** para reducir el riesgo de lesiones personales graves, apague la unidad y desconéctela de la fuente de alimentación antes de intentar moverla, cambiar accesorios o realizar ajustes. Un arranque accidental podría causar lesiones.

**▲PRECAUCIÓN:** para reducir el riesgo de lesiones personales, antes de usar la sierra de banco, asegúrese de que esté firmemente montada.

La sierra de banco debe estar montada con firmeza. Para el montaje se suministran cuatro orificios en el armazón de metal. Recomendamos especialmente que se utilicen estos orificios para sujetar la sierra al banco de trabajo u otro soporte sólido y fijo

**▲PRECAUCIÓN:** asegúrese de que la superficie sea lo suficientemente estable, de modo que las piezas grandes de material no permitan que se vuelque durante el uso.

1. Centre la sierra en la superficie de trabajo estable deseada.
2. Coloque cuatro tornillos de 88,9 mm (3-1/2") de largo en los orificios del armazón de metal. Asegúrese de que los tornillos atraviesen el armazón y se atornillen con seguridad a la superficie de trabajo.

Si le preocupa el daño que pueda sufrir la superficie de trabajo, puede montar la sierra DW745 en un trozo de madera de descarte y luego fijarla a la superficie de trabajo deseada.

1. Corte un pedazo de madera contrachapada de 19 mm (3/4") que encaje debajo del espacio que ocupa la sierra.
2. Atornille la sierra a la madera contrachapada y sujete los aleros de la madera contrachapada a la superficie de trabajo. Si los tornillos sobresalen de la base de madera contrachapada, colóquela sobre dos piezas de material de igual espesor y acople estas últimas a los bordes de la madera contrachapada para sostener la sierra lejos de la superficie de trabajo y evitar que los tornillos dañen la superficie.

## Conexión de la sierra a la fuente de alimentación

**▲ADVERTENCIA:** para reducir el riesgo de lesiones, antes de conectar la sierra a la fuente de alimentación, asegúrese de que el interruptor está en la posición OFF (de apagado).

Asegúrese de que la fuente de energía concuerde con lo que se indica en la placa. Sólo CA significa que su sierra funciona con corriente alterna únicamente. Un descenso en el voltaje del diez por ciento o más producirá una pérdida de potencia y sobrecalentamiento. Todas las herramientas DEWALT están probadas en fábrica. Si esta herramienta no funciona, revise el suministro de energía.

### Interruptor de encendido/apagado

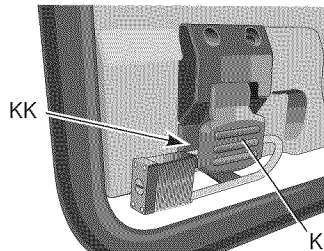
**▲ADVERTENCIA:** para reducir el riesgo de lesiones personales, antes de enchufar la máquina, asegúrese de que el interruptor está en la posición OFF (de apagado).

Para encender la sierra, levante la paleta del interruptor de encendido/apagado (ON/ OFF) (K) hacia arriba, y para apagar la sierra presione la paleta hacia abajo (OFF).

El interruptor posee un orificio (KK) en el que se puede introducir un candado con vástago desmontable para poder bloquear el interruptor en la posición de apagado (Fig. 14).

**NOTA:** un candado convencional no encajará.

FIG. 14



## Funcionamiento de la guía de corte longitudinal

### PALANCA DE BLOQUEO DE RIEL (FIG. 4)

La palanca de bloqueo de riel (W) traba la guía en el lugar para evitar el movimiento durante el corte. Para trabar la palanca de bloqueo de riel, empújela hacia abajo y hacia la parte trasera de la sierra. Para desbloquearla, empújela hacia arriba y hacia la parte frontal de la sierra.

**NOTA:** cuando realice cortes longitudinales, trabe siempre la palanca de bloqueo de riel.

### EXTENSIÓN PARA SOPORTE DE LA PIEZA DE TRABAJO

La sierra de banco está equipada con una extensión para soporte de la pieza de trabajo que sirve para apoyar las piezas que sobresalen más allá del banco. Para usar la extensión para soporte de la pieza de trabajo, rótelas como se muestra en la Figura 15. Cuando no la necesite, repliéguela como se muestra en la Figura 16.

**NOTA:** Siempre que trabaje sobre el banco, repliegue la extensión para soporte de pieza de trabajo.

FIG. 15

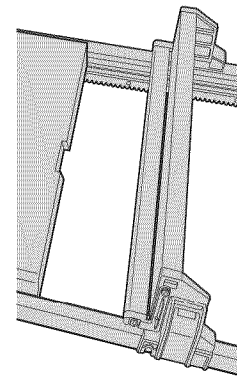
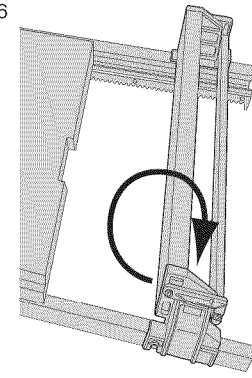


FIG. 16



### PERILLA DE AJUSTE FINO (FIG. 17)

The fine adjustment knob (H) allows smaller adjustments when the guide is adjusted. Antes de realizar un ajuste, asegúrese de que la palanca de bloqueo de riel esté en su posición elevada, de desbloqueo.

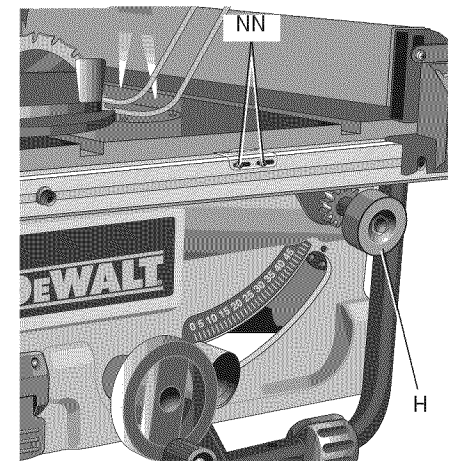
### INDICADOR DE LA ESCALA DE CORTE

Si cambia las hojas según necesite realizar ranuras finas y gruesas, deberá ajustar el indicador de la escala de corte para obtener un rendimiento adecuado. Consulte el apartado **Ajuste de la escala de corte** en la sección **Ajustes** para conocer las instrucciones de alineación.

### Ajustes

**▲ADVERTENCIA:** para reducir el riesgo de lesiones, apague la unidad y desconéctela de la fuente de alimentación antes de instalar o retirar accesorios, ajustar o cambiar configuraciones o realizar reparaciones. Un arranque accidental podría causar lesiones.

FIG. 17



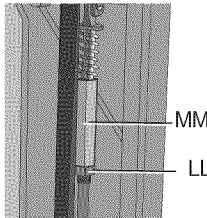
**NOTA:** su sierra recibe todos los ajustes necesarios y precisos durante el proceso de fabricación. Si se precisa realizar nuevos ajustes debido al envío y la manipulación, o por cualquier otro motivo, siga los siguientes pasos.

Una vez realizados, estos ajustes no se volverán a desconfigurar. Tómese el tiempo necesario y siga estas instrucciones cuidadosamente para mantener el alto nivel de precisión de la sierra.

### AJUSTE DEL BLOQUEO DE RIEL (Ajuste del sistema de sujeción de la guía)

1. Trabe la palanca de bloqueo de riel (W).
2. Afloje la tuerca en la parte inferior de la sierra (LL) (Fig. 18).
3. Ajuste la varilla hexagonal (MM) hasta comprimir el resorte en el sistema de bloqueo y generar la tensión deseada en la palanca de bloqueo de riel. Vuelva a ajustar la tuerca de inmovilización contra la varilla hexagonal.
4. Vuelque la sierra y controle que la guía no se mueva cuando la palanca de bloqueo trava. Si la guía aún está floja, ajuste el resorte un poco más.

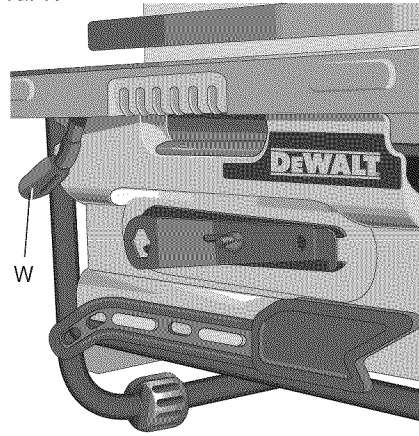
FIG. 18



### AJUSTE DE LA ESCALA DE CORTE (Calibración de la escala de corte)

1. Destrabe la palanca de bloqueo de riel (W).
2. Configure la hoja en un bisel a 0° o mueva la guía hasta que se halle al ras sobre la hoja.
3. Trabe la palanca de bloqueo de riel.
4. Afloje los tornillos del indicador de la escala de corte (NN) con un destornillador Phillips y vuelva a configurar la línea roja de la escala en 0°. Vea la Figura 17.
5. Vuelva a ajustar los tornillos en el riel.

FIG. 19



**NOTA:** la escala de corte sólo se lee correctamente cuando la guía se monta a la derecha de la hoja.

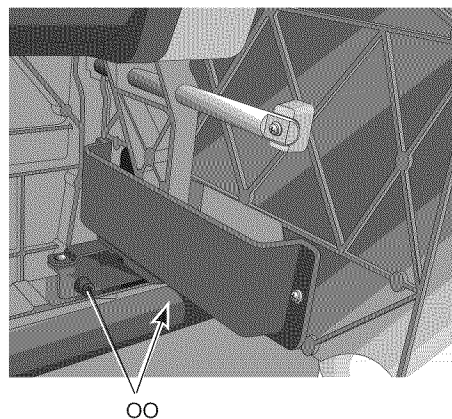
### AJUSTE DE ALINEACIÓN DE LA HOJA HOJA PARALELA A LA RANURA DEL CALIBRADOR)

**ADVERTENCIA:** Peligro de corte. Verifique que la hoja se encuentre a 0° y 45° para asegurarse de que no golpee la placa para ranuras y ocasione lesiones personales.

Si la hoja no está alineada con la ranura del calibrador en la parte superior del banco, deberá calibrarla. Para volver a alinear la hoja con la ranura del calibrador, siga el siguiente procedimiento:

1. Ubique los tornillos indicadores Allen de color negro (OO) que fijan el soporte giratorio a la parte inferior del banco en la parte posterior de la sierra.

FIG. 20



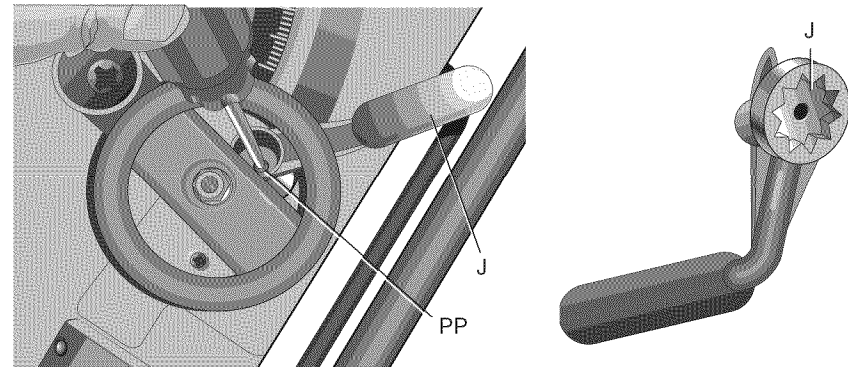
2. Afloje ambos tornillos y alinee la hoja con la ranura del calibrador. Asegúrese de medir la distancia entre la ranura del calibrador y la parte posterior y frontal de la sierra para garantizar que la hoja y la ranura están paralelas.
3. Apriete suavemente los tornillos para asegurar al banco el conjunto del soporte giratorio y la hoja en posición paralela.

### AJUSTE DE ALINEACIÓN DE LA GUÍA (Hoja paralela a la guía)

Si observa problemas de alineación de la guía y desea corregir la falta de paralelismo entre la guía y la hoja, primero asegúrese de controlar la alineación de la hoja con la ranura de calibrador. Una vez que ha confirmado que esos elementos están correctamente alineados, proceda a alinear la hoja con la guía mediante el siguiente procedimiento:

1. Destrabe la palanca de bloqueo de riel (W) y ubique los dos tornillos indicadores de la guía (AA) que soportan la guía en los rieles frontal y trasero.
2. Afloje el tornillo indicador trasero y ajuste la posición de la guía en la ranura de la guía hasta colocar el frente de la misma en forma paralela a la hoja. Asegúrese de medir la distancia entre el frente de la guía y la parte frontal y posterior de la hoja para garantizar su alineación.
3. Ajuste el tornillo indicador y repita el procedimiento en el lado izquierdo de la hoja.
4. Controle el ajuste de la escala de corte.

FIG. 21



### AJUSTE DEL BLOQUEO DEL BISEL (FIG. 21)

Es posible que sea necesario ajustar la palanca de bloqueo del bisel (J) para mantener la fuerza de bloqueo.

Para realizar el ajuste, coloque la palanca de bloqueo en la posición de bloqueo. Con un destornillador Phillips, quite los tornillos (PP) que sostienen la palanca de bloqueo en el lugar (Fig. 21). Retire la palanca de bloqueo del perno de bloqueo y coloque la palanca de bloqueo en la posición deseada. Inserte los tornillos (PP) y ajuste bien.

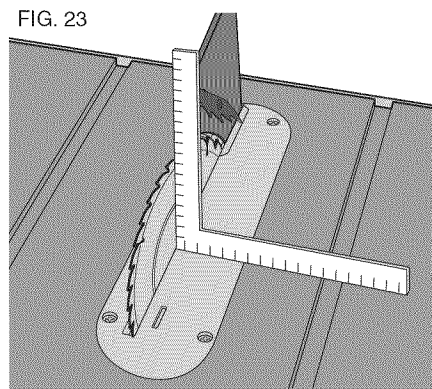
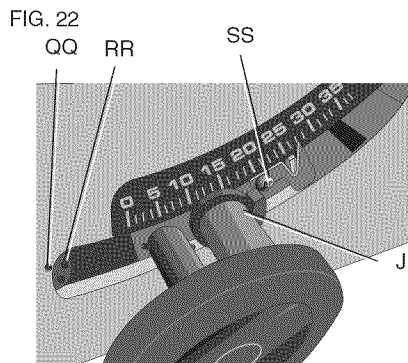
### AJUSTE DEL INDICADOR Y EL TOPE DE BISEL (Calibración de la escala de bisel)

La calibración del sistema de bisel de la sierra puede requerir dos pasos separados: uno para la escala de bisel y otro para el indicador de bisel. La escala siempre se debe controlar primero y luego se debe proceder a ajustar el indicador rojo.

#### Parte A: Ajuste del sistema de escala de bisel (Fig. 22, 23)

1. Retire el protector de la hoja de la sierra y eleve la hoja tanto como se pueda.
2. Destrabe la palanca de bloqueo del bisel (J) y afloje el tornillo de tope de bisel (QQ).
3. Coloque una escuadra contra el banco y la hoja.

**NOTA:** asegúrese de colocar la escuadra entre los dientes de la hoja para garantizar una medición precisa.



4. Ajuste el ángulo del bisel hasta que la hoja esté en posición horizontal contra la escuadra. Trabe la palanca de bloqueo del bisel (J).
5. Mueva la leva de tope del bisel (RR) hasta que haga contacto seguro con la pieza fundida del soporte giratorio. Ajuste el tornillo de tope del bisel.
6. Repita el procedimiento a 45° usando una escuadra triangular

#### Parte B: Ajuste del indicador de la escala del bisel

**NOTA:** complete este paso sólo si ha completado la parte A.

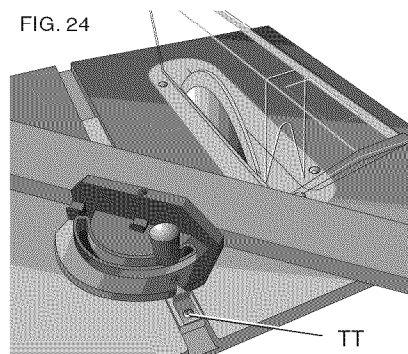
7. Controle al ángulo de la escala del bisel. Si en el indicador no se lee 0°, afloje el tornillo del indicador (SS) y muévelo a la marca de 0° en la escala del bisel. Vuelva a ajustar el tornillo del indicador.

#### AJUSTE DEL CALIBRADOR DE INGLETE (Calibración del indicador del calibrador de inglete)

Su calibrador de inglete tiene topes ajustables a 45° y 90° a la derecha y a la izquierda.

Para ajustar el calibrador de inglete, afloje el tornillo (TT) y muévelo a la posición deseada. Ajuste el tornillo contra la placa para ranuras (Fig. 24).

FIG. 24



#### Hojas para sierras

**NOTA:** esta sierra está diseñada para ser usada con hojas de 254 mm (10") de diámetro o menos.

**NOTA:** esta sierra no está diseñada para ser usada con hojas para ranuras y cuchillas para molduras. Pueden ocasionar lesiones personales

1. La hoja que se suministra con su sierra es una hoja de combinación de 254 mm (10") mm) que se puede utilizar para realizar cortes transversales (el corte cruza la veta) y cortes longitudinales (el corte sigue la veta) a través del material. El orificio central que encaja en el eje es de 16 mm (5/8") de diámetro (1,59 cm, 0.625"). Esta hoja proporcionará un corte de calidad en la mayoría de las aplicaciones.
2. Existen muchos tipos de hojas disponibles para realizar trabajos específicos y especiales como cortes transversales solamente, cortes longitudinales solamente, huecos, cortes en madera contrachapada fina, paneles, etc.
3. Utilice solamente hojas diseñadas para funcionar en forma segura a velocidades máximas de 5.000 RPM o mayores.

4. Las hojas para sierra siempre se deben conservar afiladas. Recomendamos que cuando necesite afilar las hojas, localice un centro de afilado acreditado.

#### Retroceso

El retroceso es una condición peligrosa. Se origina cuando la pieza de trabajo se atasca contra la hoja. El resultado es que la pieza de trabajo se puede mover rápidamente en dirección opuesta a la dirección de alimentación. Durante un retroceso, la pieza de trabajo puede ser despedida hacia atrás, en dirección al operador. También puede arrastrar la mano del operador hacia atrás, en dirección a la hoja, si la mano del operador está en la parte trasera de la hoja. Si ocurre un retroceso, antes de reanudar el trabajo, apague la sierra y verifique el funcionamiento adecuado del hendedor, los dientes antirretroceso y los protectores.

#### ⚠ADVERTENCIA:

1. Use siempre el protector y cerciórese de que funcione correctamente. El hendedor del protector ayuda a prevenir el atascamiento de la hoja y los dientes antirretroceso a cada lado del hendedor minimizan la posibilidad de retroceso. Tenga extremo cuidado hasta que la pieza de trabajo atraviese el hendedor y se haya trabado en los dientes antirretroceso.
2. No corte madera deformada, curvada o ahuecada. La pieza de trabajo debe tener un lado derecho y uniforme. Dicho lado se debe colocar contra la guía de corte longitudinal o el calibrador de inglete. La pieza de trabajo debe quedar en forma horizontal contra el banco sin oscilar.
3. No corte "a pulso". Use siempre la guía de corte longitudinal o el calibrador de inglete. Nunca use los dos a la vez.
4. Tenga extremo cuidado cuando no pueda usar el protector (en los cortes que no son pasantes).
5. Apoye las piezas de trabajo grandes con cuidado. Permitir que se comben o caigan puede ocasionar un retroceso.

#### FUNCIONAMIENTO

**⚠ADVERTENCIA:** cada vez que use la sierra verifique que:

1. **SIEMPRE** utilice equipo de protección para los ojos, auditiva y respiratoria adecuado.
2. La hoja esté ajustada.
3. El ángulo del bisel y las perillas de bloqueo de altura estén ajustadas.
4. La palanca de bloqueo de la guía esté ajustada y la guía esté paralela a la hoja (en el caso de cortes longitudinales).
5. La perilla del calibrador de inglete esté ajustada (en el caso de cortes transversales).
6. El protector de la hoja esté ajustado adecuadamente y que los dientes antirretroceso funcionen.
7. **CONTROLE SIEMPRE** que el conjunto protector de la hoja y hendedor esté correctamente alineado y a la distancia apropiada de la hoja.

El incumplimiento de estas normas de seguridad básicas, puede aumentar las posibilidades de lesiones.

**⚠ADVERTENCIA:** para reducir el riesgo de lesiones, apague la unidad y desconecte la fuente de alimentación antes de instalar o retirar accesorios, ajustar o cambiar configuraciones o realizar reparaciones. Un arranque accidental podría causar lesiones.

**⚠ADVERTENCIA:** antes de conectar la sierra de banco a la fuente de alimentación u operar la sierra, controle siempre que el conjunto protector de la hoja y hendedor estén correctamente alineados y a la distancia apropiada de la hoja. Puede causar lesiones personales.

**⚠ADVERTENCIA:** los cortes longitudinales o transversales pueden dar lugar a que la sierra se vuelque durante el funcionamiento. Asegúrese de que la sierra esté montada con seguridad sobre una superficie estable.

**▲ADVERTENCIA:** nunca use la guía y el calibrador de inglete a la vez. Esto puede causar una condición de retroceso y una lesión al operador.

**▲PRECAUCIÓN:** si su sierra hace ruidos desconocidos o si vibra demasiado, cese el funcionamiento de inmediato hasta localizar la fuente del problema y solucionarlo.

**▲PRECAUCIÓN:** la placa para ranuras adecuada debe estar instalada en todo momento para reducir el riesgo de que una pieza de trabajo salga despedida y ocasione lesiones personales.

Existen dos tipos de cortes básicos con las sierras de banco: longitudinales y transversales. El Corte que se sigue la veta es el corte longitudinal y el corte que atraviesa la veta es el corte transversal. En el caso de los materiales sintéticos, la distinción se establece de modo que el corte longitudinal sea un corte que se realiza a una profundidad diferente y el corte transversal describe el material que se desea cortar a través de la dimensión más corta.

**▲ADVERTENCIA:** cuando realice un corte longitudinal, use siempre la guía de corte longitudinal y el protector para evitar una condición de retroceso.

**▲PRECAUCIÓN:** cuando realice un corte transversal, use siempre el calibrador de inglete.

### Corte longitudinal

**▲ADVERTENCIA:** nunca toque el "extremo libre" de la pieza de trabajo o una "pieza libre" cortada mientras la herramienta está encendida y/o la hoja está rotando. La pieza puede entrar en contacto con la hoja y ser despedida, lo que puede ocasionar una lesión.

**▲ADVERTENCIA:** siempre **SE DEBE USAR** una guía de corte longitudinal al realizar cortes longitudinales para evitar la pérdida de control y lesiones personales. **NUNCA**

realice operaciones de corte longitudinal a pulso. **AJUSTE SIEMPRE** la guía al riel.

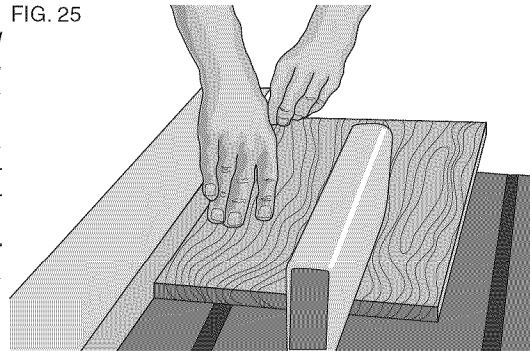
**▲ADVERTENCIA:** cuando realice cortes longitudinales en bisel o siempre que sea posible, coloque la guía del lado de la hoja de manera que la hoja se incline alejándose de la guía y de sus manos. Mantenga sus manos alejadas de la hoja y use una vara de empuje para alimentar la pieza de trabajo si existe una distancia menor que 152 mm (6") entre la guía y la hoja.

1. Empuje hacia abajo la palanca de bloqueo de riel y trabe la guía de corte longitudinal. Retire el calibrador de inglete.
2. Levante la hoja de manera que quede 3,2 mm (1/8") más arriba que la parte superior de la pieza de trabajo.
3. Coloque la pieza de trabajo en forma horizontal sobre el banco y contra la guía. Mantenga la pieza de trabajo aproximadamente a 25,4 mm (1") de la hoja.

**▲PRECAUCIÓN:** la pieza de trabajo debe tener un borde recto contra la guía, y no debe estar torcida, deformada o curvada. Mantenga las manos alejadas de la hoja y del recorrido de la hoja. Observe la posición correcta de las manos en la Figura 25.

4. Encienda la sierra y deje que la hoja alcance velocidad. Para iniciar el corte se pueden usar las dos manos. Cuando haya cortado aproximadamente 305 mm (12"), use una sola mano. Sostenga el material con el índice y el dedo mayor, empuje el material con el pulgar y enganche los dedos restantes sobre la guía. Mantenga siempre su pulgar junto a los dos dedos siguientes y cerca de la guía.
5. Con la pieza de trabajo contra el banco y la guía, alimente la pieza de trabajo hacia atrás, todo el recorrido de la hoja. Continúe empujando la pieza de trabajo hasta que pase el protector y caiga por la parte posterior del banco. No sobrecargue el motor.

FIG. 25



6. Nunca intente tirar de la pieza de trabajo hacia atrás mientras la hoja está girando. Apague el interruptor, espere que la hoja se detenga, levante los dientes antirretroceso a cada lado del hendedor de ser necesario y deslice hacia afuera la pieza de trabajo.

7. Cuando corte una pieza de trabajo grande o un panel, utilice siempre un soporte de trabajo. Los caballetes de aserrar, los rodillos o los montajes de alimentación externa proporcionan soporte adecuado para este propósito. El soporte de trabajo debe ser de la misma altura que la sierra de banco.

**▲PRECAUCIÓN:** nunca empuje o sostenga el pedazo "libre" o "cortado" de la pieza de trabajo.

### Cortes longitudinales en bisel

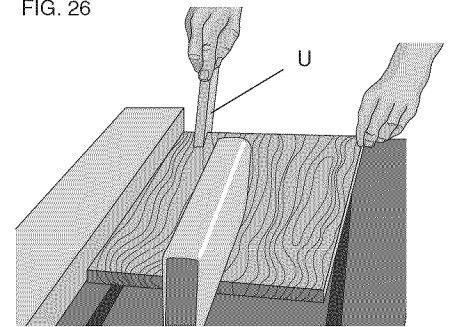
Esta operación es la misma que la de corte longitudinal, excepto que el bisel se configura en un ángulo distinto de 0°.

**▲ADVERTENCIA:** antes de conectar la sierra de banco a la fuente de alimentación u operar la sierra, controle siempre que el conjunto protector de la hoja y hendedor esté correctamente alineado y a la distancia apropiada de la hoja. Verifique la alineación después de cada cambio de ángulo de bisel.

### CORTES LONGITUDINALES DE PIEZAS PEQUEÑAS

Realizar cortes longitudinales en piezas pequeñas no es seguro. No es seguro que coloque las manos cerca de la hoja. En cambio, corte una pieza más grande para obtener la pieza deseada. Cuando necesita cortar una profundidad más pequeña y no puede colocar la mano en forma segura entre la hoja y la guía de corte longitudinal, use una o más varas de empuje. Al final de este manual se incluye un patrón para hacer varas de empuje. Esta sierra incluye una vara de empuje (U), ubicada en el costado derecho del panel. Utilice las varas de empuje para sostener la pieza de trabajo contra el banco y la guía y empujar la pieza de trabajo hasta pasar la hoja por completo. Vea la Figura 26.

FIG. 26



### Cortes transversales

**▲ADVERTENCIA:** **NUNCA** toque el "extremo libre" de la pieza de trabajo o una "pieza libre" cortada mientras la herramienta está encendida y/o la hoja está rotando. La pieza puede entrar en contacto con la hoja y ser despedida, lo que puede ocasionar una lesión.

**▲ADVERTENCIA:** para reducir el riesgo de lesiones, **NUNCA** use la guía de corte longitudinal como guía o tope longitudinal cuando realice cortes transversales.

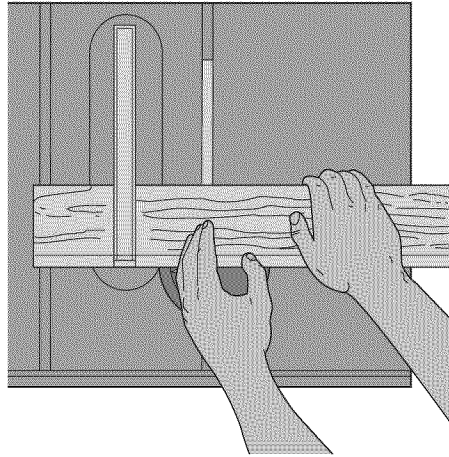
**▲ADVERTENCIA:** **NUNCA** use un tope longitudinal en el extremo libre de la pieza de trabajo cuando realice cortes transversales. En resumen, la pieza cortada durante un corte pasante (corte en el que la pieza de trabajo se secciona por completo) nunca debe ser restringida. Por el contrario, debe permitir que se mueva lejos de la hoja de la sierra para evitar que entre en contacto con ésta y sea despedida, lo que puede causar lesiones.

**▲ADVERTENCIA:** tenga cuidado cuando comience el corte para evitar el atascamiento del protector contra la pieza de trabajo, lo que puede ocasionar daños a la hoja y posibles lesiones.

**▲PRECAUCIÓN:** cuando use un bloque como calibrador de corte, el espesor del bloque debe ser como mínimo de 19 mm (3/4") y es muy importante que el extremo posterior del bloque se coloque de manera que no obstruya la pieza de trabajo antes de que ésta entre en contacto con la hoja para evitar el contacto del bloque con la hoja, lo que puede ocasionar la expulsión de la pieza de trabajo y posibles lesiones.

1. Retire la guía de corte longitudinal y coloque el calibrador de inglete en la ranura deseada.
2. Ajuste la altura de la hoja de modo que esté 3,2 mm (1/8") más alta que la parte superior de la pieza de trabajo.
3. Sostenga la pieza de trabajo con firmeza contra el calibrador de inglete, con el recorrido de la hoja alineado con la ubicación deseada. Mantenga la pieza de trabajo aproximadamente a 2,5 cm (una pulgada) de distancia enfrente de la hoja. **MANTENGA LAS MANOS ALEJADAS DE LA HOJA Y DEL RECORRIDO DE LA HOJA** (Fig. 27).
4. Arranque el motor de la sierra y deje que la hoja alcance velocidad.
5. Mientras usa las dos manos para sostener la pieza de trabajo contra la guía y el calibrador de inglete y en forma horizontal contra el banco, empujela lentamente a través de la hoja. Vea la Figura 27.
6. Nunca intente tirar de la pieza de trabajo hacia atrás mientras la hoja está girando. Apague el interruptor, espere que la hoja se detenga y deslice con cuidado la pieza de trabajo hacia afuera.

FIG. 27

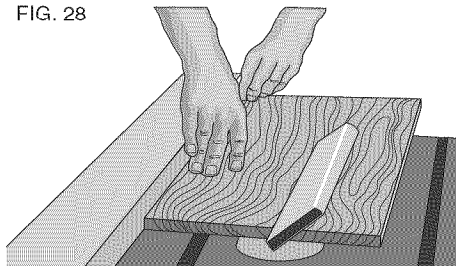


### Cortes transversales en bisel

Esta operación es la misma que la de corte transversal, excepto que el bisel se configura en un ángulo distinto de 0°. Para conocer la posición correcta de las manos, consulte la Figura 28.

**ADVERTENCIA:** antes de conectar la sierra de banco a la fuente de alimentación u operar la sierra, controle siempre que el conjunto protector de la hoja y hendedor esté correctamente alineado y a la distancia apropiada de la hoja. Verifique la alineación después de cada cambio de ángulo de bisel.

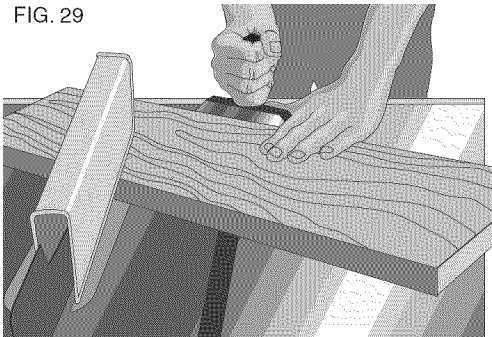
FIG. 28



### Cortes a inglete

**ADVERTENCIA:** los ángulos de inglete mayores de 45° pueden forzar el protector hacia la hoja y causar daños al protector o lesiones personales. Antes de encender el motor, verifique la operación introduciendo la pieza de trabajo en el protector. Si el protector toca la hoja, coloque la pieza de trabajo debajo del protector, evitando que toque la hoja, antes de encender el motor.

FIG. 29



**PRECAUCIÓN:** es posible que debido a su forma, ciertas piezas de trabajo, como las molduras, no levanten el protector adecuadamente. Cuando empieza el corte, introduzca la pieza de trabajo lentamente. Si el protector toca la hoja, coloque la pieza de trabajo debajo del protector, evitando que toque la hoja, antes de encender el motor.

Esta operación es la misma que la de corte transversal, excepto que el calibre de inglete está bloqueado en un ángulo distinto de 0°. Sostenga la pieza de trabajo FIRMEMENTE contra el calibrador de inglete e introduzca dicha pieza lentamente en la hoja (para evitar que ésta se mueva). Vea la Figura 29.

### Operación del calibrador de inglete

Para instalar su calibrador de inglete, afloje el mango de bloqueo y mueva el calibrador de inglete hasta alcanzar el ángulo deseado.

### Cortes a inglete compuestos

Es una combinación de cortes a inglete y cortes transversales en bisel. Siga las instrucciones para los cortes transversales y los cortes a inglete.

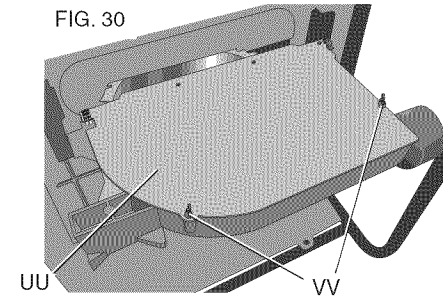
### Colector de polvo

Su sierra de banco está equipada con una cubierta para polvo y un colector de polvo. Para obtener mejores resultados, conecte una aspiradora al colector en la parte posterior de la sierra.

Luego del uso prolongado, el sistema de recolección de polvo de la sierra se puede obstruir. Para limpiar el sistema de recolección de polvo:

1. Desenchufe la sierra.
2. Vuelque la sierra de costado para acceder a la parte inferior, abierta de la unidad.
3. Para abrir la puerta de acceso al colector (UU) que se muestra en la Figura 30 retire los tornillos mariposa (PP). Limpie el exceso de polvo y vuelva a asegurar la puerta de acceso con los tornillos mariposa.

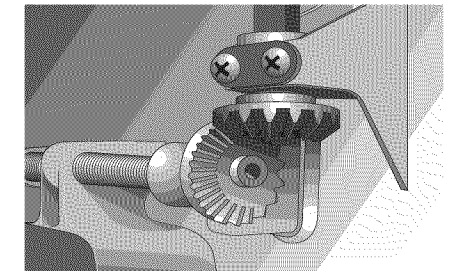
FIG. 30



### Lubricación

1. Todos los cojinetes del motor están permanentemente lubricados desde fábrica y no requieren lubricación adicional.
2. Es posible que el engranaje de ajuste de la altura requiera una limpieza y lubricación periódicas (Fig. 31). Si tiene problemas para elevar o bajar la hoja, contacte a un centro de mantenimiento DEWALT autorizado.

FIG. 31



### Accesorios

**ADVERTENCIA:** debido a que no se han probado con este producto otros accesorios que no sean los que ofrece DEWALT, el uso de dichos accesorios podría ser peligroso. Para reducir el riesgo de lesiones, con este producto deben usarse sólo los accesorios DEWALT recomendados.

Si necesita ayuda para localizar algún accesorio, póngase en contacto con DEWALT Industrial Tool Co., 701 East Joppa Road, Baltimore, MD 21286, llame al 1-800-4-DEWALT (1-800-433-9258) o visite nuestro sitio web [www.dewalt.com](http://www.dewalt.com).

## MANTENIMIENTO

**⚠ADVERTENCIA:** para reducir el riesgo de lesiones, apague la unidad y desconéctela de la fuente de alimentación before installing and removing accessories, before adjusting or changing set-ups or wheantes de instalar o retirar accesorios, ajustar o cambiar configuraciones o realizar reparaciones. Un arranque accidental podría causar lesiones.

## Limpieza

**⚠ADVERTENCIA:** para limpiar la herramienta, sólo utilice jabón suave y un paño húmedo en las partes plásticas. Muchos limpiadores para uso doméstico pueden contener sustancias químicas que podrían dañar el plástico considerablemente. Tampoco utilice gasolina, aguarrás, barniz o solvente, líquidos para limpieza en seco o productos similares, que podrían dañar seriamente las piezas de plástico. Nunca permita que penetre líquido dentro de la herramienta ni sumerja ninguna de las piezas en un líquido.

## Reparaciones

Para garantizar la SEGURIDAD y la CONFIABILIDAD, las reparaciones, el mantenimiento y los ajustes (incluida la inspección y reemplazo de cepillos) deben ser realizados por un centro de mantenimiento de fábrica de DEWALT, un centro de mantenimiento DEWALT autorizado u otro personal de mantenimiento calificado. Utilice siempre piezas de repuesto idénticas.

### PARA REPARACIÓN Y SERVICIO DE SUS HERRAMIENTAS ELÉCTRICAS, FAVOR DE DIRIGIRSE AL CENTRO DE SERVICIO MÁS CERCANO

#### CULIACAN, SIN

Av. Nicolás Bravo #1063 Sur - Col. Industrial Bravo (667) 7 12 42 11

#### GUADALAJARA, JAL

Av. La Paz #1779 - Col. Americana Sector Juárez (33) 3825 6978

#### MEXICO, D.F.

Eje Central Lázaro Cárdenas No. 18  
Local D, Col. Obrera (55) 5588 9377

#### MERIDA, YUC

Calle 63 #459-A - Col. Centro (999) 928 5038

#### MONTERREY, N.L.

Av. Francisco I. Madero No.831 - Col. Centro (81) 8375 2313

#### PUEBLA, PUE

17 Norte #205 - Col. Centro (222) 246 3714

#### QUERETARO, QRO

Av. Madero 139 Pte. - Col. Centro (442) 214 1660

#### SAN LUIS POTOSI, SLP

Av. Universidad 1525 - Col. San Luis (444) 814 2383

#### TORREON, COAH

Blvd. Independencia, 96 Pte. - Col. Centro (871) 716 5265

#### VERACRUZ, VER

Prolongación Díaz Mirón #4280 - Col. Remes (229) 921 7016

#### VILLAHERMOSA, TAB

Constitución 516-A - Col. Centro (993) 312 5111

PARA OTRAS LOCALIDADES LLAME AL: (55) 5326 7100

## Póliza de Garantía

### IDENTIFICACIÓN DEL PRODUCTO:

Sello o firma del Distribuidor.

Nombre del producto: \_\_\_\_\_ Mod./Cat.: \_\_\_\_\_

Marca: \_\_\_\_\_ Núm. de serie: \_\_\_\_\_

(Datos para ser llenados por el distribuidor)

Fecha de compra y/o entrega del producto: \_\_\_\_\_

Nombre y domicilio del distribuidor donde se adquirió el producto: \_\_\_\_\_

Este producto está garantizado por un año a partir de la fecha de entrega, contra cualquier defecto en su funcionamiento, así como en materiales y mano de obra empleados para su fabricación. Nuestra garantía incluye la reparación o reposición del producto y/o componentes sin cargo alguno para el cliente, incluyendo mano de obra, así como los gastos de transportación razonablemente erogados derivados del cumplimiento de este certificado.

Para hacer efectiva esta garantía deberá presentar su herramienta y esta póliza sellada por el establecimiento comercial donde se adquirió el producto, de no contar con ésta, bastará la factura de compra.

### EXCEPCIONES.

Esta garantía no será válida en los siguientes casos:

- Cuando el producto se hubiese utilizado en condiciones distintas a las normales;
- Cuando el producto no hubiese sido operado de acuerdo con el instructivo de uso que se acompaña;
- Cuando el producto hubiese sido alterado o reparado por personas distintas a las enlistadas al final de este certificado.

Anexo encontrará una relación de sucursales de servicio de fábrica, centros de servicio autorizados y franquiciados en la República Mexicana, donde podrá hacer efectiva su garantía y adquirir partes, refacciones y accesorios originales.

### Garantía limitada de tres años

DEWALT reparará sin cargo cualquier defecto ocasionado por materiales defectuosos o mano de obra, durante tres años a partir de la fecha de compra. Esta garantía no cubre fallas en las piezas que resulten del desgaste normal de la herramienta o de su utilización inadecuada. Para obtener información detallada sobre la cobertura de la garantía y sobre reparaciones, visite nuestra página Web [www.dewalt.com](http://www.dewalt.com) o llame al 1-800-4-DEWALT (1-800-433-9258). Esta garantía no se extiende a los accesorios o a los daños causados por terceros al intentar realizar reparaciones. Esta garantía le concede derechos legales específicos; usted goza también de otros derechos que varían según el estado o provincia.

Además de la garantía, las herramientas DEWALT están cubiertas por nuestro:

#### SERVICIO GRATUITO DE 1 AÑO

DEWALT realiza el mantenimiento de la herramienta y reemplaza las piezas gastadas tras el uso normal, sin costo alguno, en cualquier momento durante el primer año después de la compra.

#### GARANTÍA DE REEMBOLSO DE DINERO DE 90 DÍAS


Si por alguna razón no estuviera plenamente satisfecho con el rendimiento de la herramienta eléctrica, el láser o la clavadora DEWALT, puede devolver el producto dentro de los 90 días siguientes a la fecha de compra acompañado del recibo. De esta manera, se le reintegrará el importe total del producto sin formularle pregunta alguna.

**AMÉRICA LATINA:** esta garantía no se aplica a los productos que se venden en América Latina. Para los productos que se venden en América Latina, debe consultar la información de la garantía específica del país que viene en el empaque, llamar a la compañía local o visitar el sitio Web a fin de obtener esa información.

**REEMPLAZO GRATUITO DE LAS ETIQUETAS DE ADVERTENCIA:** si sus etiquetas de advertencia se tornan ilegibles o faltan, llame al 1-800-4-DEWALT para que se las reemplacen gratuitamente.

**⚠ DANGER/PELIGRO**

KEEP HANDS AWAY FROM BLADE.  
MANTENGA MANOS LEJOS DE HOJA.  
GARDER DES MAINS LOIN DE LA LAME.



**DW745** BLADE 10", 250mm

NOTE: USE 120 VOLT, 15 AMP BRANCH CIRCUIT AND USE 15 AMP TIME-DELAY FUSE.

SER. \_\_\_\_\_

**⚠ WARNING** TO REDUCE THE RISK OF INJURY, READ AND UNDERSTAND INSTRUCTION MANUAL BEFORE OPERATING SAW. ALWAYS USE PROPER EYE AND RESPIRATORY PROTECTION. DO NOT WEAR GLOVES, NECKTIES, JEWELRY OR LOOSE CLOTHING. CONTAIN LONG HAIR. KEEP HANDS OUT OF THE LINE OF SAW BLADE - USE EXTRA CAUTION WHEN BEVELING. USE SAW-BLADE GUARD AND SPLITTER FOR EVERY OPERATION FOR WHICH IT CAN BE USED, INCLUDING ALL THROUGH SAWING. USE A "PUSH STICK" WHEN REQUIRED. KNOW HOW TO REDUCE THE RISK OF KICKBACKS - SEE MANUAL. ALWAYS SUPPORT WORK WITH TABLE AND FENCE OR MITER GAUGE. DO NOT PERFORM ANY OPERATION FREE HAND. USE FENCE WHEN RIPPING AND MITER GAUGE WHEN CROSSCUTTING. NEVER USE TOGETHER. NEVER REACH AROUND OR OVER SAW BLADE. SECURELY MOUNT SAW BLADE BEFORE OPERATING. NEVER REMOVE JAMMED OR CUT-OFF PIECES UNTIL POWER IS OFF AND BLADE HAS STOPPED. LOCK BEVEL ADJUSTMENT BEFORE OPERATION. SECURE TOOL PROPERLY TO PREVENT UNEXPECTED MOVEMENT. DO NOT OPERATE THIS MACHINE WHILE UNDER THE INFLUENCE OF ALCOHOL OR DRUGS. FAILURE TO COMPLY WITH THESE WARNINGS MAY RESULT IN SERIOUS PERSONAL INJURY.

U.S. PAT. NO. 5,722,308; 5,857,507; 5,875,898; 5,927,857; 5,979,523; 6,148,703; 6,244,149; 6,357,326; D386,747; D394,071; D395,322; D357,344; D400,217; D407,725; D410,474; D414,786; D445,119 OTHER PATENTS PENDING.  
DEWALT INDUSTRIAL TOOL CO., BALTIMORE MD. 21286 U.S.A.  
FOR SERVICE INFORMATION, CALL 1-800-4-DEWALT www.DeWALT.com

**⚠ ADVERTENCIA** POR SU PROPIA SEGURIDAD, LEA EL MANUAL DE INSTRUCCIONES ANTES DE OPERAR LA SIERRA. SIEMPRE SE DEBERÁ LLEVAR LA PROTECCIÓN APROPIADA PARA LA VISTA Y PARA LAS VÍAS RESPIRATORIAS. NO UTILICE GUANTES, CORBALES, ALMAJAS O HOJA HOLLADA. SUJETE EL CABELLO LARGO. MANTENGA LAS MANOS FUERA DE LA LÍNEA DE LA HOJA DE LA SIERRA. TENGA MUCHO CUIDADO AL REALIZAR O BISELAR. USE EL PROTECTOR DE LA HOJA Y EL SEPARADOR EN TODAS LAS OPERACIONES EN LAS QUE PUEDA. INCLUIDO EN TODOS LOS CORTES CON SIERRA, USE UN "EMPULSADOR" SIEMPRE QUE SEA NECESARIO. LEA EL MANUAL PARA OBTENER INFORMACIÓN SOBRE CÓMO REDUCIR EL RIESGO DE RETROCESOS. SIEMPRE SOSTenga EL TRABAJO CON UNA MESA Y UNA GUÍA O CALIBRADOR. NO REALICE NINGUNA OPERACIÓN SIN LAS MANOS EN LA GUÍA AL HACER CORTES LONGITUDINALES Y EL CALIBRADOR DE BLOQUE AL HACER CORTES TRANSVERSALES. NUNCA USE AMBOS A LA VEZ. NUNCA INTENTE ALCANZAR ALGOCOSOS O SOBRE LA HOJA DE LA SIERRA. CONECTE LA HOJA DE LA SIERRA CON SEGURIDAD ANTES DE OPERARLA. NUNCA quite PIEZAS ATASCADAS O CORTADAS SIN QUE LA HERRAMIENTA ESTÉ APAGADA Y LA HOJA SE HAYA DETENIDO. TRABAJE EL AJUSTE DEL BISEL ANTES DE USAR LA HERRAMIENTA. USE LA HERRAMIENTA CORRECTAMENTE PARA EVITAR QUE SE NUEVA INESPERADAMENTE. NO OPERE ESTA MÁQUINA SI ESTÁ BAJO LOS EFECTOS DEL ALCOHOL O DROGAS. EL INCUMPLIMIENTO DE ESTAS ADVERTENCIAS PODRÍA CAUSAR LESIONES PERSONALES.

**⚠ AVERTISSEMENT** POUR VOTRE PROPRE SÉCURITÉ, LIRE LE MODE D'EMPLOI AVANT D'UTILISER LA SCIE. IL FAUT TOUJOURS PORTER DE L'ÉQUIPEMENT DE PROTECTION OCULAIRE ET RESPIRATOIRE APPROPRIÉ. NE PAS PORTER DE GANTS, DE CRAVATE, DE BIJOUX OU DE VÊTEMENTS AMPLES. ATTACHER LES CHEVEUX LONGS. GARDER LES MAINS HORS DE LA TRAJECTOIRE DE LA LAME DE LA SCIE. ÊTRE TRÈS PRÉCAUTIONNEUX POUR RÉDUIRE LE RISQUE ASSOCIÉ À L'EFFET DE REBOND. CONSULTER LE MODE D'EMPLOI TOUJOURS SOUTIENIR LA PIÈCE AVEC LA TABLE ET LE SERRIN OU AVEC LA JARRE À OMBRES. UTILISER UN OUTIL EMPUSSEUR EN FONCTION L'UTILISER LES BESOINS. UTILISER LE CALIBRE LONGITUDINAL POUR LES SCIES EN LONG ET LA GARDE À CROQUET POUR LE TRONÇONNEMENT. NE JAMAIS UTILISER LES DEUX SYSTÈMES SIMULTANÉMENT. NE JAMAIS SE PENCHER PRÈS DE LA LAME OU AU-DESSUS DE CELLE-CI BIEN FIXER LA LAME DE SCIE AVANT D'UTILISER L'OUTIL. NE JAMAIS RETENIR UNE PIÈCE CONCISSE OU COUPER TANT QUE L'OUTIL N'A PAS ÉTÉ MISE HORS TENSION ET QUE LA LAME N'A PAS CESSÉ DE TOURNER. REMOUEZ LES PIÈCES OU BLOCS AVANT D'UTILISER. BIEN FIXER L'OUTIL POUR ÉVITER TOUT DÉPLACEMENT INATTENDU. NE PAS UTILISER CET OUTIL SOUS L'EMPRÈSE DE L'ALCOHOL OU DE DROGUE. RÉSISTER DE SE CONFORMER À CES AVERTISSEMENTS PEUT PROVOQUER DES BLESSURES GRAVES.

**⚠ WARNING**

TO PREVENT KICKBACK, USE THE BLADE GUARD AND SPLITTER FOR ALL THROUGH SAWING. KEEP HANDS OUT OF THE LINE OF THE SAWBLADE. USE A PUSHSTICK AND FEATHERBOARDS WHEN REQUIRED.

**⚠ ADVERTENCIA**

PARA PREVENIR EL RETROCESO, UTILICE EL PROTECTOR DE LA HOJA Y EL HENDEADOR PARA TODOS LOS CORTES CON SIERRA. MANTENGA LAS MANOS ALEJADAS DEL TRAYECTO DE LA HOJA DE LA SIERRA. UTILICE LA VARA PARA EMPUJAR Y TABLAS DE CANTO BISELADO CUANDO SEA NECESARIO.

**⚠ AVERTISSEMENT**

POUR EMPÊCHER TOUT EFFET DE REBOND, UTILISER LE PARE-MAIN ET LE COUTEAU SEPARATEUR POUR TOUT DÉBITAGE COMPLET. GARDER LES MAINS HORS DE LA TRAJECTOIRE DE LA LAME DE LA SCIE. UTILISER UN POUSSOIR ET DES PLANCHES EN EVENTAIL AU BESOIN.

**ESPECIFICACIONES**

<b>DW745</b>	
Tensión de alimentación:	120 V AC ~
Consumo de corriente:	15 A
Frecuencia de alimentación:	60 Hz
Potencia nominal:	1 650 W
Rotación sin carga:	3 850/min

IMPORTADOR: DEWALT S.A. DE C.V.  
BOSQUES DE CIDROS ACCESO RADIATAS NO. 42  
COL. BOSQUES DE LAS LOMAS, 3A. SECCIÓN, CP 05120  
DELEGACIÓN CUAJIMALPA, MÉXICO, D.F.  
TEL. 5 326 7100  
R.F.C.: BDE810626-1W7

Para servicio y ventas consulte  
"HERRAMIENTAS ELECTRICAS"  
en la sección amarilla.





**Push Stick Pattern**  
**Modèle de poussoir**  
**Patrón de la vara de empuje**

Adjust length of push stick so hand will clear blade guard and rip fence.

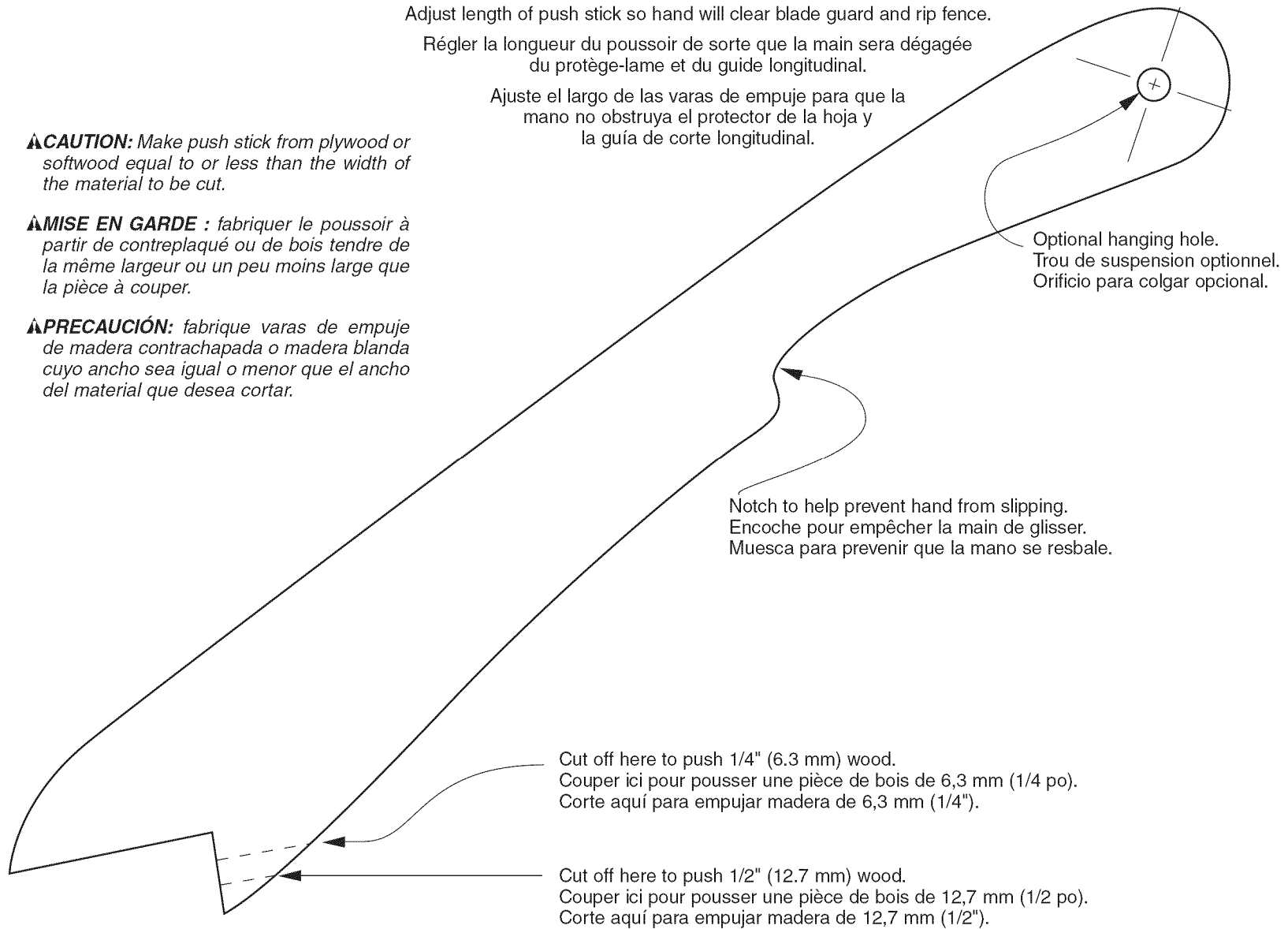
Régler la longueur du poussoir de sorte que la main sera dégagée  
du protège-lame et du guide longitudinal.

Ajuste el largo de las varas de empuje para que la  
mano no obstruya el protector de la hoja y  
la guía de corte longitudinal.

**CAUTION:** Make push stick from plywood or  
softwood equal to or less than the width of  
the material to be cut.

**MISE EN GARDE :** fabriquer le poussoir à  
partir de contreplaqué ou de bois tendre de  
la même largeur ou un peu moins large que  
la pièce à couper.

**PRECAUCIÓN:** fabrique varas de empuje  
de madera contrachapada o madera blanda  
cuyo ancho sea igual o menor que el ancho  
del material que desea cortar.



DEWALT Industrial Tool Co., 701 Joppa Road, Baltimore, MD 21286

(JAN07) Form No. 650150-00 DW745 Copyright © 2006, 2007 DEWALT

The following are trademarks for one or more DEWALT power tools: the yellow and black color scheme; the “D” shaped air intake grill; the array of pyramids on the handgrip; the kit box configuration; and the array of lozenge-shaped humps on the surface of the tool.