



OKIMAT 8

OKIMAT 8+2 FURNIBUS

Installation Instructions

**(Translation of the original installation
instructions)**

Foreword

Disclaimer and exclusion of liability

DewertOkin is not responsible for damage resulting from:

- failure to observe these instructions,
 - changes made to this product which have not been approved by DewertOkin, or
 - the use of replacement parts which have not been approved or manufactured by DewertOkin..
- We reserve the right to make unannounced technical changes in the course of our continual product improvement process!

Creation of a complete operating instruction manual for the entire end product

These instructions are only intended to be used by the end-product manufacturer. They should not be given to the operator of the end product. The factual information contained within may be used as a basis when creating the end-product manual.

The warning and danger notices are best suited for use in the end product's manual. However it is not sufficient to simply follow these notices. You should also carry out an internal risk assessment for your end product. This can then be used as the basis for the safety notices in your manual.

These installation instructions do not contain all information required to safely operate the end product. They only describe the installation and operation of the drive as partially completed machinery.

The instructions are intended for the technicians responsible for manufacturing an end product and not for the operators of the end product.

Notice for customers in EU nations

German Inspection Authority (TÜV SÜD Product Service) testing label

The construction of the OKIMAT 8 has been inspected by the German Inspection Authority (TÜV). The TÜV also monitors the production of the OKIMAT 8. The official German TÜV label certifies this construction inspection and production monitoring.

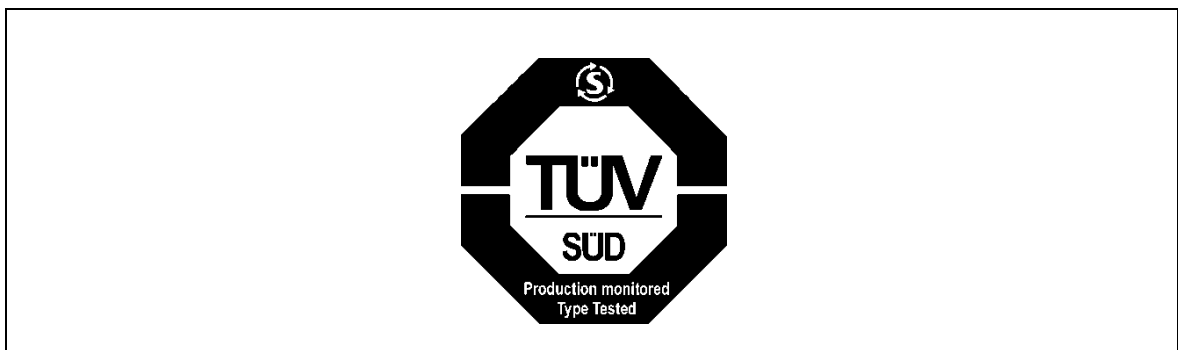


Figure 1 TÜV label

Table of contents


Foreword	3
Disclaimer and exclusion of liability	3
Creation of a complete operating instruction manual for the entire end product	3
Notice for customers in EU nations	3
Table of contents	4
1. General Information	6
1.1 Safety notices within the installation instruction and the operating instructions for the entire machine	6
1.2 Conventions used	6
2. Safety notices	7
2.1 Proper and intended usage	7
2.2 Selection and qualification of personnel	8
2.3 Notice on safety during operations	8
2.4 Product identification	9
3. Possible combinations	10
4. Description	11
4.1 Components	11
5. Technical specifications	12
6. Installation	14
6.1 Safety notices to observe during installation	14
6.2 Installation procedure	15
7. Information about creating your Operating Manual	21
7.1 General information	21
7.2 Notice for operating with optional configuration	23
8. Troubleshooting	26
9. Maintenance	27
9.1 Maintenance	27
9.2 Cleaning and care	27

10.	Disposal	28
10.1	Packaging material	28
10.2	Drive components	28
	Declaration of incorporation/installation	29
	EU Declaration of Conformity	30

1. General Information

These installation instructions must be followed closely in order to install this drive successfully and safely in the end product. These instructions are not an operating manual for the end product.

These instructions will help you to minimize danger, repair costs and down times. They will also help you to maximize the reliability and lifespan of the end product.

 CAUTION
<p>The notices in these instructions must be followed! Following the guidelines during installation and connection procedures will help to minimize:</p> <ul style="list-style-type: none"> • the risk of accident and injury, and • damage to the drive system or the end product.

These installation instructions have been written with due care and attention. However, we cannot guarantee that the data, images and drawings are complete and correct nor do we accept any liability for the information contained therein, unless required by law.

Availability of this document

As manufacturer of the end product, you are obligated to comply with Machinery Directive 2006/42/EC. This directive stipulates that the installation instructions must be kept on file for governmental inspection purposes.

1.1 Safety notices within the installation instruction and the operating instructions for the entire machine

The manufacturer of the end product is only permitted to operate the OKIMAT 8 drive (by itself an incomplete machine)

- when the end product (for which the OKIMAT 8 drive is intended) is in compliance with all protective measures specified in the Machinery Directive 2006/42/EC, and
- when the manufacturer expressly declares the compliance of the end product.


The manufacturer of the end product must create a manual for the users of that product. The safety notices in the end-product manual must be written based on the end product's risk assessment.

1.2 Conventions used

Notices which do not relate to safety are indicated in these instructions with a triangle:

- ▶ Triangular notice symbol

Safety notice explanations

 CAUTION
<p>CAUTION indicates a hazardous situation which, if not avoided, could result in minor or moderate injury.</p>

NOTICE
<p>NOTICE is used to address practices which are not related to personal injury but may result in damage to the product or surroundings.</p>

2. Safety notices

2.1 Proper and intended usage

The OKIMAT 8 drive is meant to be installed in beds.

- It provides motor adjustment capabilities for movable reclining bed parts. It should be used in conjunction with suitable fittings and mechanics:



CAUTION

Risk of accident

This drive should only be used for the applications described above. Any other use is forbidden. Improper usage can lead to accidents or destruction of the unit. Such non-approved applications will lead immediately to the expiration of all guarantee and warranty claims on the part of the end-product manufacturer against the manufacturer.

Improper usage

Be sure to follow the notices below concerning improper usage. You should include them in your product manual in order to inform the users of your end product.

The OKIMAT 8 drive should not be used:

- in any environment where combustible or explosive gases or vapours (e.g., anaesthesiology) may be present,
- in a moist environment,
- outdoors,
- in any application that will be cleaned with an automated washing system,
- for raising and lowering loads in industrial or technical applications.
- with forces which exceed those specified on the ratings plate.

The OKIMAT 8 drive can be used by children of 8 years and older, persons with reduced physical, sensory or mental capabilities, or persons with lack of experience or knowledge when they are supervised or instructed concerning the safe use of the device and when they understand the resulting risks. Do not allow children to play with this device. The cleaning and user maintenance must not be carried out by children without supervision.

- ▶ You should only use spare parts which have been manufactured or approved by DewertOkin. Only these parts will guarantee a sufficient level of safety.

Optional: battery-operated reset function**NOTICE**

The battery-operated reset function is not a safety system and does not avert danger.

DewertOkin does not guarantee that the drive will function in the event of a power outage.

If the end-product manufacturer chooses to guarantee the functionality of the end product during a power outage, then the end-product manufacturer is responsible for arranging a mechanism to ensure this functionality.

2.2 Selection and qualification of personnel

The installation of the drive in the end product may only be performed by qualified personnel.

2.3 Notice on safety during operations

Basic safety rules must be followed in order to ensure that the end product can be continually operated in a safe manner. These rules must be observed while using the end product and while installing the drive.

These rules and safety measures can be categorized as follows:

- Construction measures before the installation (refer to the "Safety notices to observe during installation" section in Chapter "Installation").
- Safety fundamentals during the drive installation and during cable and wire routing (refer to the "Safety notices to observe during installation" section in the "Installation" chapter).
- Using the drive in intermittent duty (refer to the "General information" section in the "Information about creating your Operating Manual" chapter).
- Basic safety rules during operation (refer to the "Information about creating your Operating Manual" Chapter).
- The creation of a manual for the end product which contains these and other safety rules.

Creating a user's manual

The manufacturer of the end product must create a manual for the users of that product. The safety notices in the end-product manual must be written based on the end product's risk assessment.

2.4 Product identification

2.4.1 Ratings plate

- ▶ The ratings plate shown is an example; the specifications for your drive may differ from this illustration.

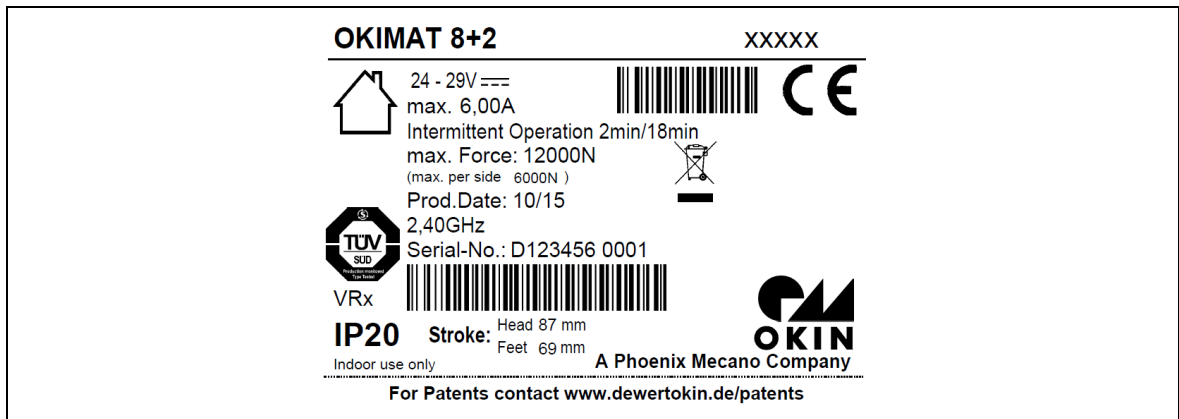





Figure 2 Ratings plate example

OKIMAT 8+2, OKIMAT 8+2 FURNIBUS	Model name
xxxxx	Article number
24 – 29V ~	Input voltage
Max. 6.00A	Current consumption
Intermittent Operation 2min/18min	Intermittent operations: 2 minutes / 18 minutes
Max. force	Push force
Prod.date	Calendar week / year
2.40GHz	Frequency of the remote wireless version
Serial No.	Serial number for your drive
VRx	Software version
IP20	Protection degree
Stroke	Stroke (head / foot)
	Use in dry rooms only!
	Follow all special disposal instructions!
	EU conformity mark

3. Possible combinations

The OKIMAT 8 double drive can be combined for use with other single or double drives. The following basic combinations are possible:

- an OKIMAT 8 with a hand-held remote control,
- an OKIMAT 8 as the main drive and a single drive used as a slave drive with a hand-held remote,
- an OKIMAT 8 as the main drive and two single drives used as slave drives with a hand-held remote.

Systems can be customized by combining drives with the hand-held remote and power supplies as needed.

DewertOkin has separate system instruction manuals containing all information and instructions needed for these systems.

- ▶ Only a DewertOkin device should be used to control the drive since they have already been verified to work together.

4. Description

The drives units are powered by electrical motors. The back and leg sections of a bed can be adjusted depending on the drive options. The drive is controlled by means of an OKIN controller.

The different drive models vary according to their:

- motor power,
- number of motors,
- optional reset function,
- optional mains cut-off mechanism
- optional Floor lighting
- optional variant with an external switched-mode power supply (EPS),
- different stroke variants,
- integrated RF radio receiver,

4.1 Components

The components have a compact design – with two linear adjusting units and a control unit located within an enclosed housing. To facilitate the tool-free assembly process, the two sliders on the side (the shutters) can be removed from the housing.

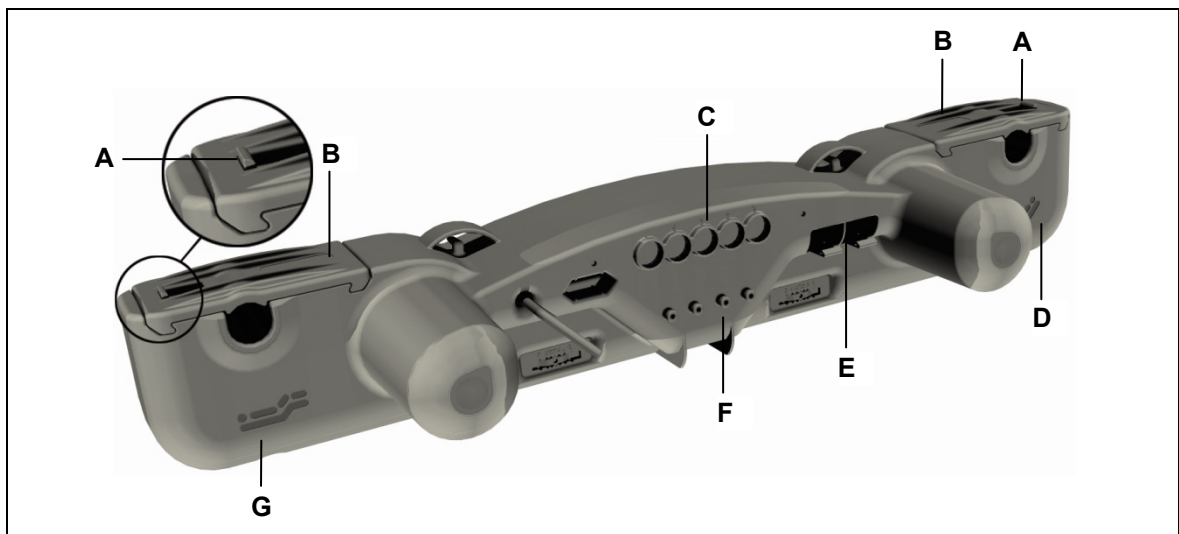


Figure 3 Main components of the OKIMAT 8 double drive

- | | |
|--|--|
| A Optional snap-in locking device | B Shutters |
| C Connection socket | D Symbol for head end of bed |
| E Battery compartment | F Screw-on point for the external floor lighting (optional) |
| G Symbol for foot end of bed | |

5. Technical specifications

Power supply (AC) or Input voltage (DC)	120 / 230 / 240 V, 50/60 Hz (refer to the ratings plate) 24 V AC – 29 V AC (refer to the ratings plate)
Current consumption under rated load (AC)	0.63 A AC – 3.15 A AC, depending on mains connection and load (refer to the ratings plate)
Current consumption under rated load (24 V DC)	Max. 8.0 A DC
Permitted push force	Max. 6000 N
Mode of operation ¹ under max. rated load.	Intermittent duty 2 min./18 min.
Protection class	II or III (refer to the ratings plate)
Noise level	≤ 65 dB(A)
Current consumption of all additional drives ²	Max. 8 A DC
Drive type	Double drive
Drive options	OKIMAT 8, OKIMAT 8+1, OKIMAT 8+2
Protection degree	IP20
Stroke	87, 69 (standard), 48, 74, 79, 92
Length x width x height	714 mm x 179 mm x 119 mm
Axle gap distance	581 mm (± 2 mm)
Axle receptacle diameter	Ø 25 mm, Ø 34 mm (depending on application)
Weight	Approx. 5 kg
Optional: battery-operated reset function	
Voltage	One or two nine-volt batteries (6LR61)
Optional: Remote wireless version	
Frequency	2.40 GHz
Optional: Floor lighting	
Light emitted from diodes	Laser class 1 (EN 60825-1:1994)
Ambient conditions for operation, storage and transport	
Transport / storage temperature	From -20 °C to +50 °C (-4 °F to +122 °F)
Operating temperature	From +10 °C to +40 °C (+50 °F to +104 °F)
Relative humidity	From 30% to 75%
Air pressure	From 800 hPa to 1060 hPa
Height	< 2000 m

¹⁾ Mode of operation: intermittent duty 2 min./18 min. This means that after the unit is operated with its rated load for up to two minutes it must then be paused for 18 minutes. The system can malfunction if this pause is not observed!

²⁾ No more than two drives may be operated at rated load simultaneously!

Dimensions of housing

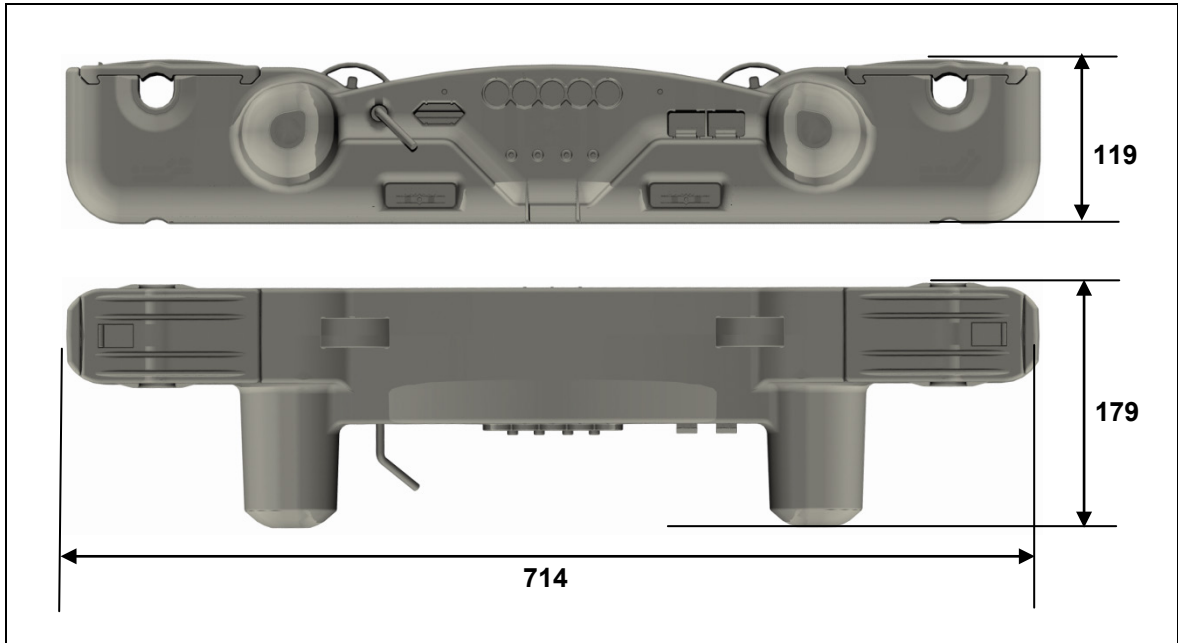


Figure 4 Dimensions of OKIMAT 8 drive (in mm)

Dimensions of the pivot lever

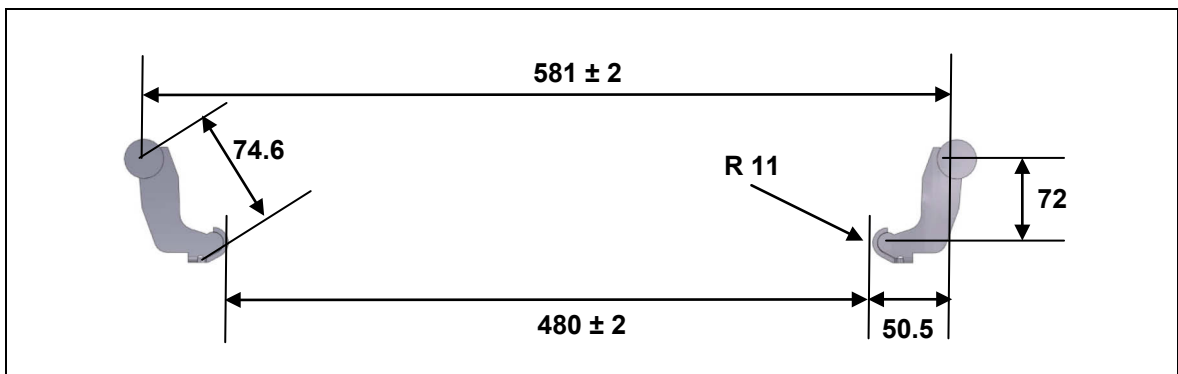


Figure 5 Pivot lever position, in mm

- ▶ Make sure that you consider the amount of torque that is generated by the drive when you design the weld between the bracket and the end product.
 - Max. torque: 435 Nm.

We recommend: the OKIN pivot lever (ID number 2.00.718.108.00)

6. Installation

6.1 Safety notices to observe during installation

Basic safety rules must be followed in order to ensure that the end product can be continually operated in a safe manner. These rules must be observed while using the end product and while installing the drive.

Avoiding fatigue fractures

Drives that are incorrectly installed can undergo fatigue fractures which then create a risk of injury.

- Install the drive in the end product so that it is properly aligned. This will help prevent shear stress.
- Do not position the drive at a slanted angle when installing it in the end product. A slanted angle between the intended direction of movement of the end product and the drive's direction will create shear stress and could lead to a fatigue fracture.

Avoiding a pinching hazard

When designing your end product, you should take the drive adjustment movement into account with passive safety mechanisms and with the appropriate safety notices in your operating instructions.

- Installation methods for ensuring passive safety: Install the OKIMAT 8 drive so that none of the positions where shear and pinch hazards exist are accessible externally.


Make sure that your operating instructions inform the user of these safety points.

6.2 Installation procedure

6.2.1 An example installation

Before installing the drive, make sure that you are observing all of the safety notices found in the "Safety notices to observe during installation" section.

- 1 Move your product into a position where it is supporting no load.

 CAUTION
<p>Danger of crushing injury!</p> <ul style="list-style-type: none"> • Be sure to carry out work on the drive in a position so that no loads are bearing on it. Only in this way can you be sure to avoid any risks of crushing or injury. • Disconnect the nine-volt battery if you are using the battery-operated reset function.

- 2 Pull the shutters firmly to the side (A). The slots (B) for the brackets (D) are now uncovered.

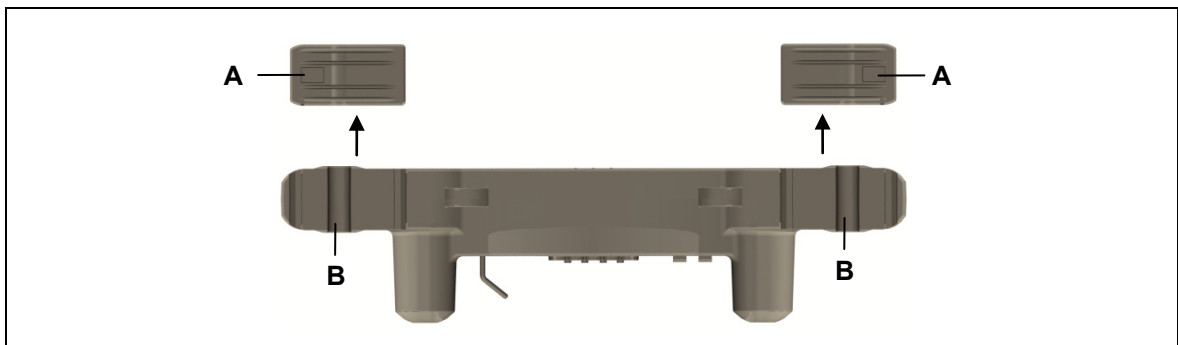


Figure 6 Installing the double drive

A Shutters

B Fitting mounts

- 3 Align the OKIMAT 8 next to your product. The slots for the back and leg sides must be properly aligned with the correct brackets on your end product (refer to the symbols on the OKIMAT 8 as described in Figure 3).

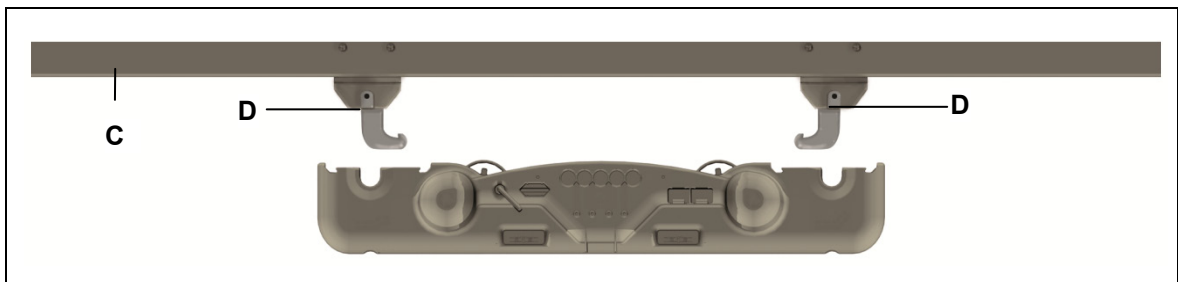


Figure 7 Installing the double drive

C End product (bed)

D Brackets

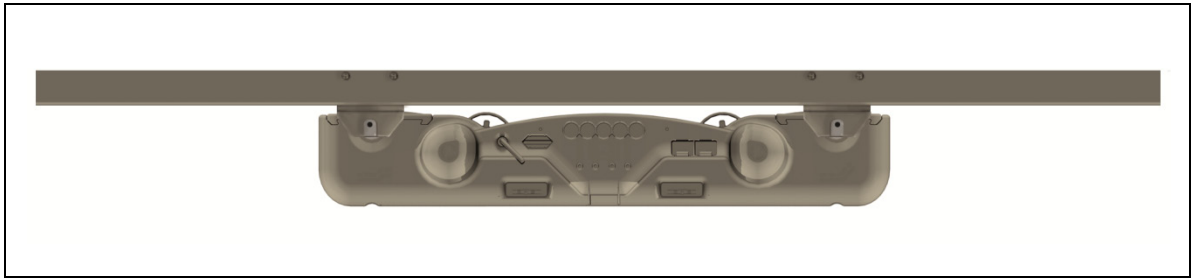


Figure 8 Installing the double drive

- 4 Push the drive in so that the brackets (D) fit into the slots (B). Press in until the tubes snap into the brackets.
- 5 Close the shutters (A) on the drive by snapping them back in. The OKIMAT 8 is now securely attached to the end product.
- 6 Disconnect all additional components (handset, etc.) from their sockets.
- 7 Now connect the drive to the power supply.

Please note, after the power supply has been connected:

- ▶ There is a delay after the supply voltage is applied before the device actually turns on. Wait at least two seconds before beginning the commissioning.

6.2.2 Electrical connection



CAUTION

Risk of accident

Electrical components should be connected or disconnected only when the power supply cord is unplugged.

Only the following personnel are qualified to work on the power cord or to replace the power cord:

- someone who has completed training in electronic motor assembly,
- someone with equivalent qualifications, or
- someone who has successfully completed the appropriate DewertOkin training program.

You should only work on the power cord when you are qualified to do so. Otherwise, a properly qualified person should be found for this task.

- ▶ There is a delay after the supply voltage is applied before the device actually turns on. Wait at least two seconds before beginning the commissioning.

Option: Connecting the OKIMAT 8 to an external switched-mode power supply (SMPS)

The OKIMAT 8 should be connected to an external switched-mode power supply (SMPS: such as the PD12/PD13 power supply with the country-specific mains plug as described in the power supply's installation instructions) using a connecting cable, as shown in Figure 9.

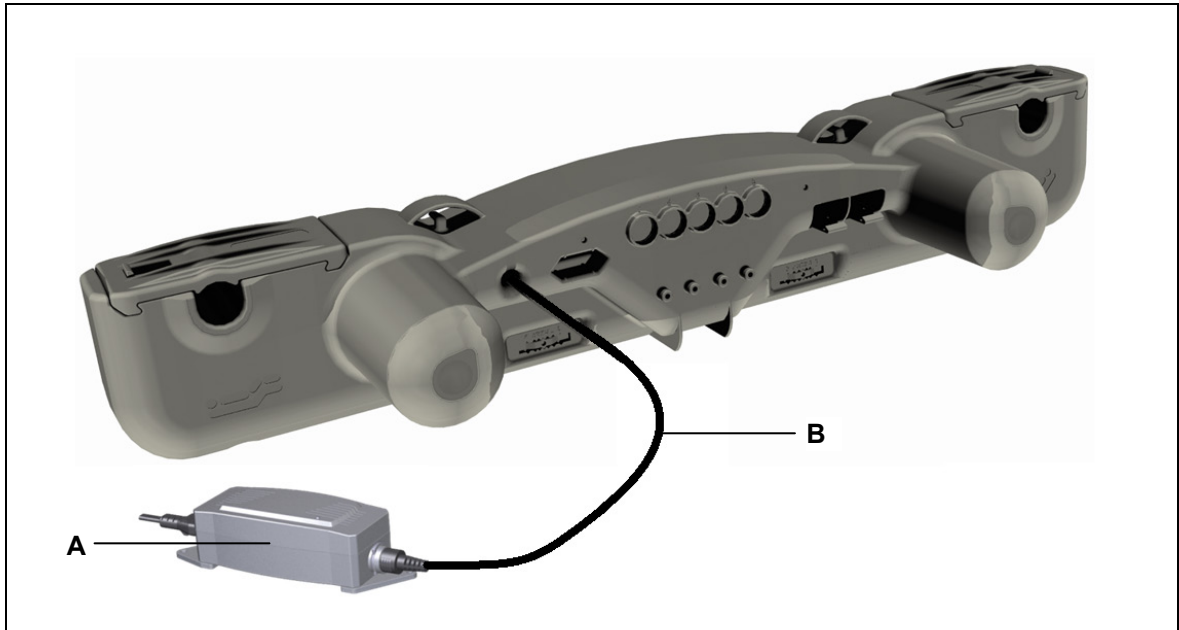


Figure 9 Connecting the OKIMAT 8 to an external switched-mode power supply (SMPS)

A Switched-mode power supply (such as the PD12/PD13)

B OKIMAT 8 connecting cable

Optional: battery-operated reset function

Connecting the nine-volt batteries

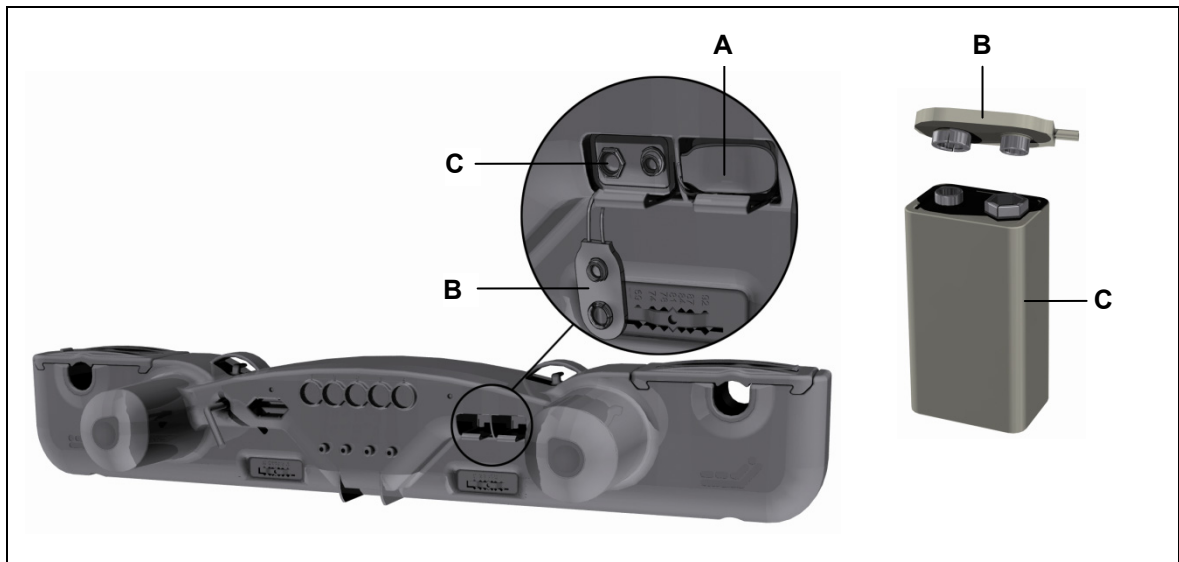


Figure 10 Connecting the 9-V battery/batteries

A Battery clip connected,

B Battery clip, unattached

C 9-V battery (type 6LR61)

- ▶ Connect the nine-volt batteries first when you would like to perform a battery-operated reset. The batteries may only be used to power the reset function one time. Take out the batteries and dispose of them properly after the reset function has been carried out.

Routing the electrical cables

When routing the cables, be sure that:

- the cables cannot get jammed,
- no mechanical load (such as pulling, pushing or bending) will be put on the cables, and
- the cables cannot be damaged in any way.

Fasten all cables (especially the mains cable) to the end product using sufficient strain relief and kink prevention methods. Be sure that the design of the end product prevents the mains cable from coming into contact with the floor during transport.

6.2.3 Dismantling



CAUTION

Risk of accident

- Work on electrical components should be conducted only when the mains power connection is unplugged.
- Disconnect the nine-volt battery if you are using the battery-operated reset function. ..

► Certain details may change because of technical changes.

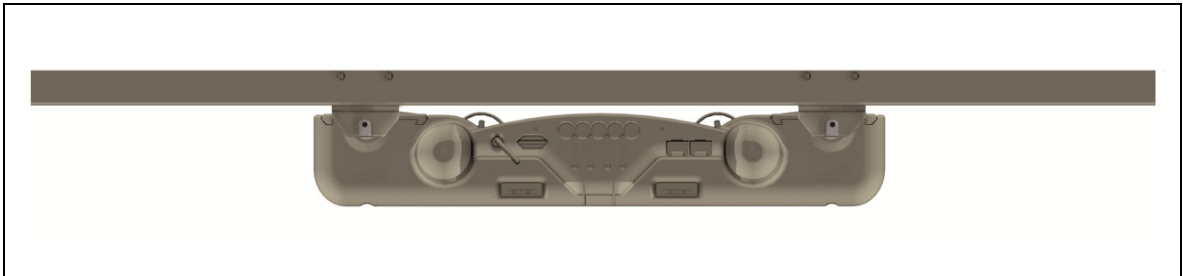


Figure 11 Removing the double drive

- 1 Move your product into a position where it is supporting no load.



CAUTION

Danger of crushing injury!

Be sure to carry out the removal work on the drive in a position so that no loads are bearing on it. Only in this way can you be sure to avoid any risks of crushing or injury.

- 2 Disconnect the OKIMAT 8 from the power supply!
- 3 Disconnect all additional components such as slave drives or handset from their sockets.
- Be sure to support the drive's weight to prevent it from falling.
- 4 Open the optional snap-in locks on the cover (**A**) until they snap in.
- 5 Pull the shutters firmly to the side (**A**).

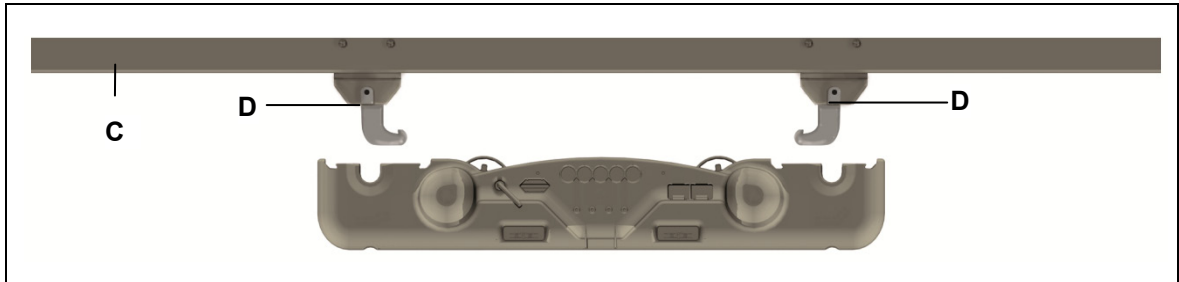


Figure 12 Removing the double drive

C End product (bed)

D Brackets

- 6 Pull out the OKIMAT 8 far enough so that the brackets (**D**) are out of the slots (**B**). The OKIMAT 8 is now unattached and can be removed.

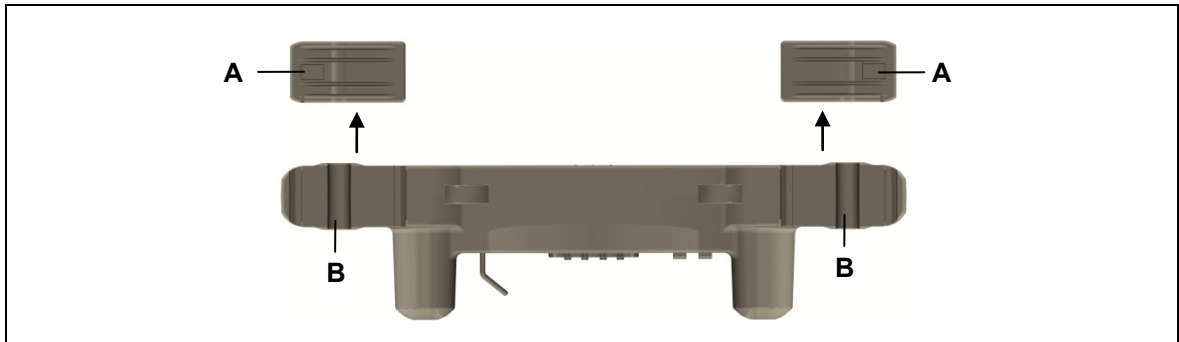


Figure 13 Removing the double drive

A Shutters

B Fitting mounts

- 7 Push the shutters (**A**) back onto the OKIMAT 8 so that they are not lost during transportation. Close the optional locking device.

7. Information about creating your Operating Manual

The factual information contained within may be used when you are creating the end-product manual. The installation instructions do not contain all information required for the safe operation of the end product. They only describe the installation and operation of the drive as a partially assembled piece of machinery.

- ▶ When creating the operating instructions, remember that the installation instructions are intended for qualified specialists and are not for typical users of the end product.

7.1 General information

- ▶ Only a DewertOkin device should be used to control the drive since they have already been verified to work together.

Delayed start-up

After plugging the power plug into the power outlet:

- ▶ There is a delay after the supply voltage is applied before the device actually turns on. Wait at least two seconds before beginning the commissioning.

Power-on time / intermittent operations

The OKIMAT 8 drive has been designed for intermittent operations. Intermittent operation is an operational mode where the drive must pause after a specified maximum period of operation (power-on time). This protects the drive from overheating. Extreme overheating can cause a malfunction.

- ▶ The ratings plate specifies the maximum power-on time and the required pause intervals.

Avoiding toggle operations

You should avoid switching from one direction of travel to the opposite direction without first stopping the motor. Make sure that you pause between motions! A pause (motor stop time) can be activated using the controls.

- ▶ You should always avoid a quick change (toggling) of directions.

Shutting off the drive

To shut off the drive, first disconnect the system from the power supply and then disconnect the battery. The power supply must always be accessible during operations so that the system can be shut off.

Avoiding cable damage

Be sure that your operating instructions inform the user about the possible cable risks.

<i>NOTICE</i>

The cables (particularly the mains cable) should not be run over. In order to prevent injuries or drive damage, no mechanical strain should be placed on the cables.
--

7.2 Notice for operating with optional configuration

7.2.1 Optional: battery-operated reset function

The battery-operated reset function allows the drive system to be operated during a power outage. One or two 9-V batteries can be used to power the OKIMAT 8 in the event of a power outage. The batteries should be connected only then when the outage occurs. The batteries are not connected by default since they have very limited capacity. They can only be used to power the reset function once. The used batteries should then be replaced and properly disposed of.

NOTICE

The battery-operated reset function is not a safety system and does not avert danger.

When working with radio units (RF), first disconnect the drive system from the power supply! Connect the nine-volt battery first when you would like to perform a battery-operated reset. The battery may only be used to power the reset function one time. Take out the battery and dispose of it properly after the reset function has been carried out.

NOTICE

Connect the nine-volt batteries first when you would like to perform a battery-operated reset. The batteries may only be used to power the reset function one time. Take out the batteries and dispose of them properly after the reset function has been carried out.

NOTICE

When using the electrical reset function, make sure that the entire movement is executed without interruptions.

- ▶ If the end product is under a heavy load which prevents the reset function from operating, the strain or load on the end product must first be removed before a reset can be carried out.

7.2.2 Programming the RF hand-held remote

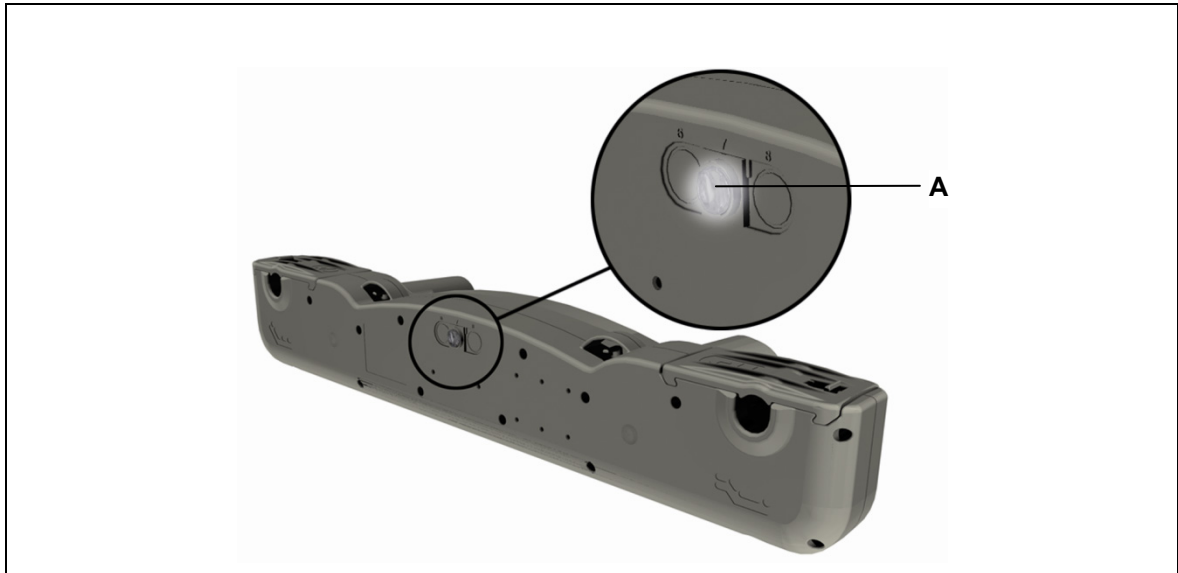


Figure 14 Function key on the OKIMAT 8

A Function key (at rear of the drive)

- 1 Press the drive's function key (**A**) twice (a quick double click). The drive will be in the teach-in (programming) mode for approximately 10 seconds. The LED on the function key lights up.
- ▶ More information on programming the hand-held remote and its key functions is provided in the hand-held remote's manual.

7.2.3 Optional: integrated floor lighting

The integrated floor lighting should only be used for illuminating under the bed. It is built into the front or back of the double drive, as shown in Figure 15.

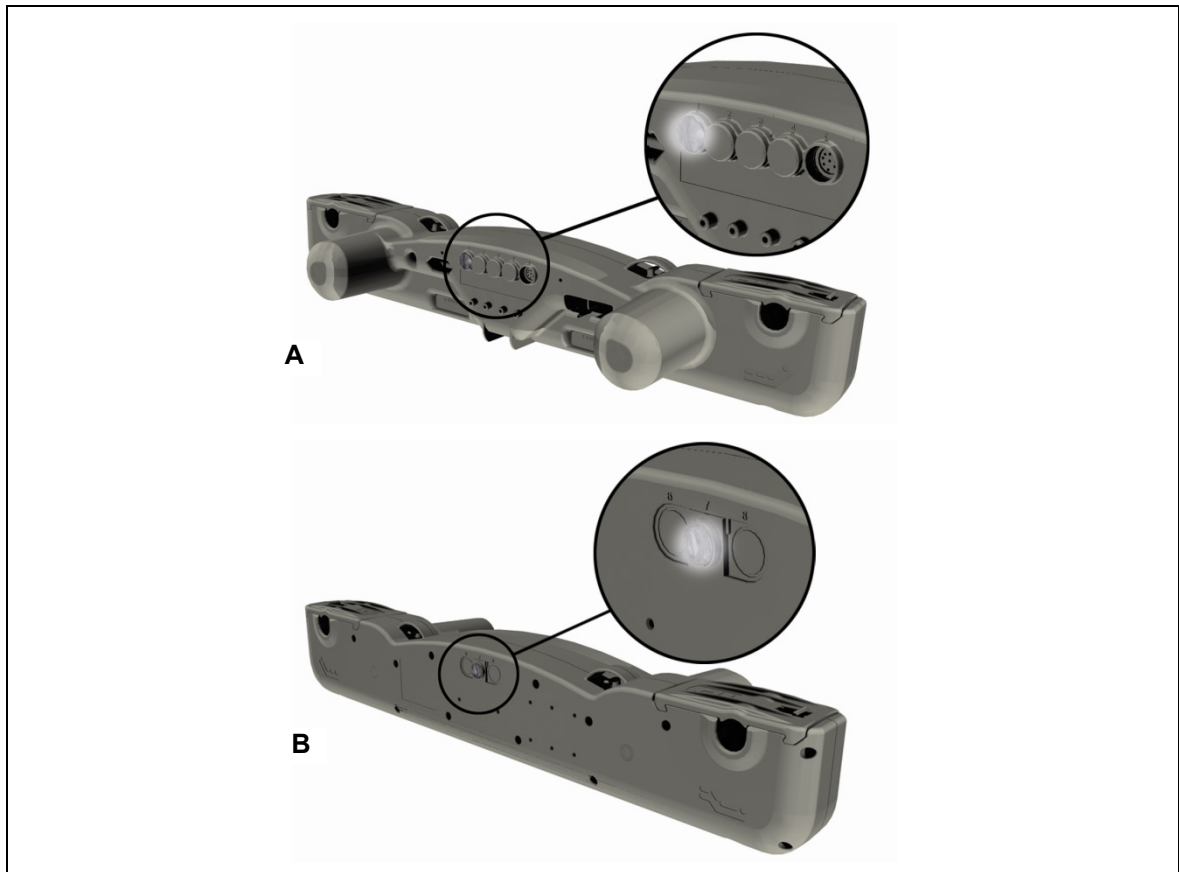


Figure 15 Location of the integrated floor lighting (optional)

A Floor lighting on front

B Floor lighting on back



CAUTION

Never look directly into the light from the floor lighting. Never point the floor lighting towards someone's eyes.


Depending on the handset or hand-held remote that you are using, the internal floor lighting can be switched on either by pressing simultaneously on both the up and down keys for the first OKIMAT 8 motor, or by pressing the special floor lighting key on the handset/hand-held remote.

7.2.4 Optional: external floor lighting

The Floor Lighting Assembly Instructions describe how to install and operate the external floor lighting.

8. Troubleshooting

This chapter describes troubleshooting methods for fixing problems. If you experience an error that is not listed in this table, please contact your supplier.

 CAUTION
Only qualified specialists who have received electrician training should carry out troubleshooting and repairs.

Problem	Possible cause	Solution
The handset or drive system is not functioning.	There is no mains supply voltage.	Connect the mains power.
	The hand switch or drive system is defective.	Please contact your supplier or sales agent.
The drive is suddenly not capable of movement.	Possibly the thermal circuit breaker on the transformer has been triggered or is defective.	Remove the power plug and allow the drive system to rest for 20 to 30 minutes.
	The thermal fuse on the transformer may have been triggered.	Please contact your supplier or sales agent.
	The unit's fuse may have been triggered or may be broken.	Please contact your supplier or sales agent.
	There is no mains supply voltage.	Connect the mains power.
	A lead-in connection has been interrupted (mains power, hand switch or auxiliary drive).	Check the lead-in connections and re-seat the contacts if required.
The battery-operated reset is not functioning.	The batteries are empty.	Check the batteries and replace if necessary.
	Battery is not connected.	Connect the battery or batteries.

9. Maintenance

9.1 Maintenance

- ▶ The OKIMAT 8 drive requires no maintenance.

9.2 Cleaning and care

- ▶ Clean the OKIMAT 8 drive as needed using a dry cloth.

NOTICE

- Always disconnect the power supply before you start to clean the drive system!
- Disconnect the nine-volt battery if you are using the battery-operated reset function. xxx..
- Never clean the OKIMAT 8 in an automated washing system or with a high-pressure cleaner. Do not allow fluids to penetrate the unit. Damage to the system could result.
- Do not use a cleanser that contains benzene, alcohol or similar solvents.
- Make sure that you do not damage the drive's connecting cable.

10. Disposal

10.1 Packaging material

The packaging material should be sorted into recyclable components and then disposed of in accordance with the appropriate national environmental regulations (in Germany according to the recycling law KrWG from 01.06.2012; internationally according to the EU Directive 2008/98/EC (Waste Framework Directive WFD as of 12.12.2008)).

10.2 Drive components

The OKIMAT 8 drive consists of electronic components, cables and metal and plastic parts. You should observe all corresponding national and regional environmental regulations when disposing of the OKIMAT 8 drive.

The disposal of the end product is regulated in Germany by Elektro-G, internationally by the EU Directive 2011/65/EC (RoHS), or by any applicable national laws and regulations. (The end product is not regulated by the EU Directive 2012/19/EC (WEEE).)



The OKIMAT 8 drive should not be disposed of with normal household waste!

The disposal of the batteries is regulated in the EU by Battery Directive 2006/66/EC, in Germany by the BattG battery law of 25.6.2009, and internationally by any applicable national laws and regulations.



The nine-volt batteries should not be disposed of with normal household waste!

FCC WARNING

This device complies with Part 15 of the FCC Rules. Operation is subject to the following two conditions:

- (1) this device may not cause harmful interference, and
- (2) this device must accept any interference received, including interference that may cause undesired operation.

Section 15.21 Information to user

Changes or modifications not expressly approved by the party responsible for compliance could void the user's authority to operate the equipment.

NOTE: This equipment has been tested and found to comply with the limits for a Class B digital device, pursuant to part 15 of the FCC Rules. These limits are designed to provide reasonable protection against harmful interference in a residential installation. This equipment generates, uses and can radiate radio frequency energy and, if not installed and used in accordance with the instructions, may cause harmful interference to radio communications. However, there is no guarantee that interference will not occur in a particular installation. If this equipment does cause harmful interference to radio or television reception, which can be determined by turning the equipment off and on, the user is encouraged to try to correct the interference by one or more of the following measures:

- Reorient or relocate the receiving antenna.
- Increase the separation between the equipment and receiver.
- Connect the equipment into an outlet on a circuit different from that to which the receiver is connected.

Consult the dealer or an experienced radio/ TV technician for help.

IC WARNING

This device complies with Industry Canada licence-exempt RSS standard(s). Operation is subject to the following two conditions:

- (1) this device may not cause interference, and
- (2) this device must accept any interference, including interference that may cause undesired operation of the device.

Le présent appareil est conforme aux CNR d'Industrie Canada applicables aux appareils radio exempts de licence. L'exploitation est autorisée aux deux conditions suivantes:

- (1) l'appareil ne doit pas produire de brouillage, et
- (2) l'utilisateur de l'appareil doit accepter tout brouillage radioélectrique subi, même si le brouillage est susceptible d'en compromettre le fonctionnement.

Declaration of Incorporation

According to Appendix II of the EU Machinery Directive 2006/42/EC

The manufacturer:
DewertOkin GmbH
Weststraße 1
32278 Kirchlengern
Germany

declares that the incomplete machine described below

OKIMAT 8

complies with the following basic requirements of the Machinery Directive (2006/42/EC):

Sections: 1.1.3; 1.3.3; 1.3.4; 1.3.7; 1.5.1; 1.5.2; 1.5.5; 1.5.6; 1.5.7; 1.5.8;
1.5.9; 1.5.10; 1.5.13; 1.6.3

You may only operate this machine after you have confirmed that the end product (into which this drive will be installed) complies with the Machinery Directive 2006/42/EC.

On request, the manufacturer is obliged to send the special documentation accompanying the partially completed machinery electronically to the appropriate national institution. The special technical documents corresponding to the machine have been created according to Appendix VII, part B.

The following person is responsible for the technical documentation:

Hans-Joachim Heimsath,
Refer to address listed above.
Tel.: +49(0)5223 979-0



Dr.-Ing. Josef G. Groß
Managing Director

Kirchlengern, Germany. The 15.June 2015

EU Declaration of Conformity

In compliance with Appendix IV of the EU EMC Directive 2004/108/EC

In compliance with Appendix III of the EU Low Voltage Directive 2006/95/EC

In compliance with Appendix VI of the EU RoHS Directive 2011/65/EU

In compliance with Appendix VII of the EU Directive 1999/5/EC (only for the 2.4GHz wireless version)

The manufacturer:

DewertOkin GmbH

Weststraße 1

32278 Kirchlengern

Germany

declares that the following product

OKIMAT 8

meets the requirements of the following EU directives:

Electromagnetic Compatibility Directive 2004/108/EC

Low Voltage Directive 2006/95/EC

RoHS Directive 2011/65/EU of the European Parliament and of the Council of 8 June 2011 on the restriction of the use of certain hazardous substances in electrical and electronic equipment

Radio and Telecommunications Terminal Equipment Directive (1999/5/EC) (only for the 2.4 GHz wireless version)

Applied standards:

- EN 60335-1:2012
- EN 55014-1/A2:2011
- EN 55014-2/A2:2008
- EN 61000-3-2/A2:2009
- EN 61000-3-3:2013
- EN 62233:2008
- EN 62479:2010 (only for the 2.4 GHz wireless version)
- ETSI EN 300440-2 V1.4.1 (only for the 2.4 GHz wireless version)

This declaration of conformity is no longer valid if constructional changes are made which significantly change the control unit (i.e., which influence the technical specifications found in the instructions or the intended use)!

Kirchlengern, Germany. The 15.June 2015



Dr.-Ing. Josef G. Groß
Managing Director

DewertOkin GmbH
Weststrasse 1
Kirchlengern 32278, Germany
Tel: +49(0)5223/979-0
Fax.: +49 0 522375182
<http://www.dewertokin.de>
Info@dewertokin.de

ID No.: 69595