

SPECIFICATION

MODEL	DL-60iSH	DL-60iS
iPod & iPhone Application	Audio Play & Charging	
Charging Current	5V/500mA	
USB Port	USB mini B - Female (iPhone/iPod charging & USB 2.0)	
Audio	L 1.2W + R 1.2W, Rotary Volume Control, Line in / Earphone Jack	
Color temp	Study 6,000~7,000K Reading 4,500~5,500K Relaxation/Sleep 2,300~3,300K	5,800~6,800K
CRI	Over 90	Over 75
Brightness	Approx 1,100 Lux \pm 100 Lux	
Life Time	Longer than 40,000Hour	
Power	AC/DC adaptor : AC 100~240V to DC 12V/1.5A	
Power consumption	9W for Lighting, 4W for Charging	
Dimension	180(W:Base) x 172(D:Base) x 455(H) x 328(L)	
Weight	1,160g	1,130g
Operating Temperature	-10~40 $^{\circ}$ C	

WARRANTY CARD

Product : LED Desk Lamp

Model : DL-60iSH/60iS

Warranty Period : 1year

Purchase Date:

Purchaser	Name	
	Address	
	Telephone	
Seller	Name	
	Address	
	Telephone	

► For Repair or Service

If the product stops working correctly, discontinue its use and contact the listed service center in the manual or **DIASONIC Technology at 82-31-474-0852**.

► Repair Policy

- This product has passed strict quality control and testing process.
- Failure of the product under normal operating conditions, during the warranty period may be repaired by Diasonic or our authorized service organization free of charge. Some shipping or handling charges may be involved.
- For the following cases, some service fees will be charged.
 - When the product is damaged due to user's mishandling, abuse, or improper operation.
 - When the product is damaged due to user's modification, attempted repair, or otherwise access to sealed/non-user serviceable items.
 - When the product is damaged due to fires, pollution, earthquakes and any other natural or unnatural conditions, accidents, etc.
- It will be at the sole discretion of Diasonic or the authorized service center to determine the qualification of the warranty service. Original purchase invoice and other documentation may be required to verify qualification of service.



LED DESK LAMP

DL-60iSH/DL-60iS

USER MANUAL



Thank you for purchasing **DL-60iSH/60iS**.

Please read instructions with care and operate **DL-60iSH/60iS** safely before use. We'd like to recommend you to keep instructions to use **DL-60iSH/60iS** well.

FCC (Federal Communications Commission)

- Caution** : Any changes or modifications in construction of this device which are not expressly approved by the party responsible for compliance could void the user's authority to operate the equipment.
- Note** : This equipment has been tested and found to comply with the limits for a Class B digital device, pursuant to part 15 of the FCC Rules. These limits are designed to provide reasonable protection against harmful interference in a residential installation. This equipment generates, uses and can radiate radio frequency energy and, if not installed and used in accordance with the instructions, may cause harmful interference to radio communications. However, there is no guarantee that interference will not occur in a particular installation. If this equipment does cause harmful interference to radio or television reception, which can be determined by turning the equipment off and on, the user is encouraged to try to correct the interference by one or more of the following measures:
 - Reorient or relocate the receiving antenna.
 - Increase the separation between the equipment and receiver.
 - Connect the equipment into an outlet on a circuit different from that to which the receiver is connected.
 - Consult the dealer or an experienced radio / TV technician for help.

ADVANTAGE OF LED DESK LAMP



ECO-friendly light

It provides a safe, comfortable, consistent light that stimulates concentration without eye strain. It contains no mercury or environmentally harmful substances.



Low power consumption

It consumes 75% LESS power than a typical fluorescent light.



Extraordinary Long lifetime

Lasting 40 TIMES LONGER than a typical incandescent bulb. (Used 5 hours per day it will last up to 22 years)



Flicker Free Light

Reduced eye strain without the flickering present in both incandescent and fluorescent lights.

DL-60iSH (Operational Mode & Docking System)



- ▶ 5 Step Brightness Control Function.
- ▶ Appropriate color temperature for each subjects.
 - Reading Mode (4,500K~5,500K)
 - Study Mode (6,000K~7,000K)
 - Relaxation Mode (2,300K~3,300K)
 - Bedtime Mode (2,300K~3,300K)
- ▶ Timer & Power Control Function.
- ▶ Built in docking interface for Charging&Audio Play.
- ▶ Compatible with all iphone and ipods.
- ▶ 1.2w X 2 output.



- ▶ USB 단자에서 5V(1A)의 전원을 공급하여, 핸드폰이나 MP3 등 여러종류의 기기들을 충전케이블로 충전할 수 있습니다.
- ▶ iPhone, iPod 제품을 스탠드에 도킹한 상태에서 PC와 데이터 전송 및 충전을 할 수 있습니다.

DL-60iS (Docking System)

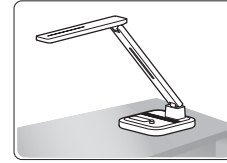


- ▶ Timer & Power Control Function.
- ▶ Built in docking interface for Charging&Audio Play.
- ▶ Compatible with all iphone and ipods.
- ▶ 1.2w X 2 output.

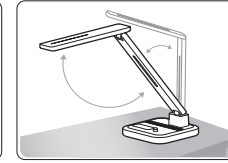


- ▶ USB 단자에서 5V(1A)의 전원을 공급하여, 핸드폰이나 MP3 등 여러종류의 기기들을 충전케이블로 충전할 수 있습니다.
- ▶ iPhone, iPod 제품을 스탠드에 도킹한 상태에서 PC와 데이터 전송 및 충전을 할 수 있습니다.

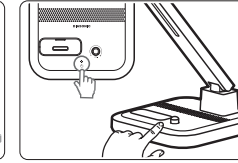
INSTRUCTIONS



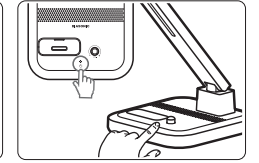
Do not place at slanting place.



Adjust height appropriately.

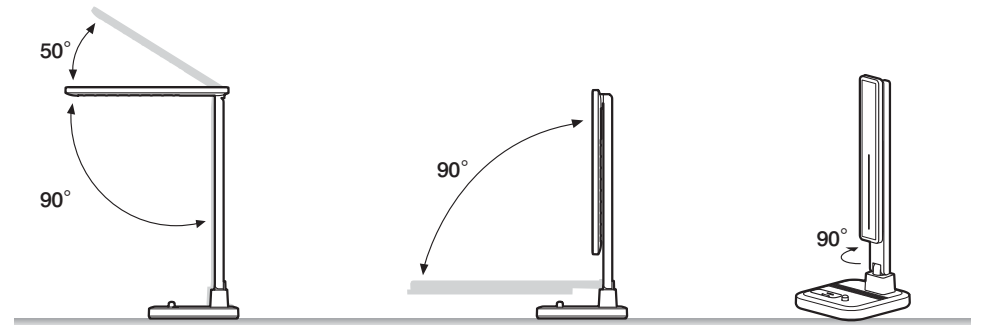


Press the power button. (60iSH Power Button)



Press the power button. (60iS Power Button)

MULTI-PIVOT-FLEXIBLE POSITIONING



PRODUCT BOX CONTAINS

- A. Light Stand including light
- B. iPod cradle
- C. Control Button
- D. AC Adaptor
- E. Light Base

