



XBee3™

RF Module

Hardware Reference Manual

Revision history—900001543

Revision	Date	Description
A	October 2017	Initial release.

Trademarks and copyright

Digi, Digi International, and the Digi logo are trademarks or registered trademarks in the United States and other countries worldwide. All other trademarks mentioned in this document are the property of their respective owners.

© 2017 Digi International Inc. All rights reserved.

Disclaimers

Information in this document is subject to change without notice and does not represent a commitment on the part of Digi International. Digi provides this document “as is,” without warranty of any kind, expressed or implied, including, but not limited to, the implied warranties of fitness or merchantability for a particular purpose. Digi may make improvements and/or changes in this manual or in the product(s) and/or the program(s) described in this manual at any time.

Warranty

To view product warranty information, go to the following website:

www.digi.com/howtobuy/terms

Send comments

Documentation feedback: To provide feedback on this document, send your comments to techcomm@digi.com.

Customer support

Digi Technical Support: Digi offers multiple technical support plans and service packages to help our customers get the most out of their Digi product. For information on Technical Support plans and pricing, contact us at +1 952.912.3444 or visit us at www.digi.com/support.

Contents

XBee3™ RF Module Hardware Reference Manual

General XBee3 specifications

General specifications	7
Regulatory conformity summary	7
Serial communication specifications	8
UART pin assignments	8
GPIO specifications	8

802.15.4-specific specifications

Performance specifications	10
Power requirements	10
Networking and security specifications	10
Communication interface specifications	10

Hardware

Mechanical drawings	12
XBee3 surface-mount (U.FL/RF Pad)	12
XBee3 surface-mount (embedded antenna)	13
XBee3 micro (U.FL/RF Pad)	14
XBee3 micro (chip antenna)	15
Pin signals for the XBee3 surface-mount module	15
Pin signals for the XBee3 micro module	18
Design notes	21
Power supply design	21
Board layout	21
Antenna performance	22
Recommended pin connections	22
Design notes for surface mount PCB antenna and micro footprint chip antenna devices	22
Design notes for RF pad devices	24

Regulatory information

United States (FCC)	28
OEM labeling requirements	28
FCC notices	28

FCC-approved antennas (2.4 GHz)	29
RF exposure	35
Europe (CE)	35
Maximum power and frequency specifications	36
OEM labeling requirements	36
Declarations of conformity	37
Antennas	37
IC (Industry Canada)	37
Labeling requirements	37
For XBee3:	37
RF Exposure	38

Manufacturing information

Recommended solder reflow cycle	40
Handling and storage	40
Recommended footprint	41
Flux and cleaning	44
Reworking	44

XBee3™ RF Module Hardware Reference Manual

This manual provides information for the XBee3 RF Module hardware. The XBee3 RF Module can be either the micro or the surface-mount form factor.

For more information about the operation and programming functions of the device, see the [XBee3® Zigbee® User Guide](#).

General XBee3 specifications

The following tables provide general specifications for the hardware.

General specifications	7
Regulatory conformity summary	7
Serial communication specifications	8
GPIO specifications	8

General specifications

The following table describes the general specifications for the devices.

Specification	XBee3/XBee3-PRO Micro	XBee3/XBee3-PRO surface-mount
Operating frequency band	ISM 2.4 – 2.4835 GHz	
Form factor	Micro	Surface-mount
Dimensions	Micro: 1.36 cm x 1.93 cm x 0.241 cm (0.534 in x 0.760 in x 0.095 in)	Surface-mount: 2.199 x 3.4 x 0.368 cm (0.866 x 1.33 x 0.145 in)
Operating temperature	-40 to 85 °C (industrial)	
Antenna options	RF pad, chip antenna, or U.FL connector	RF pad, embedded antenna, or U.FL connector

Regulatory conformity summary

This table describes the agency approvals for the devices.

Approval	XBee3	XBee3-PRO
United States (FCC Part 15.247)	FCC ID: MCQ-XBEE3	FCC ID: MCQ-XBEE3
Industry Canada (IC)	IC: 1846A-XBEE3	IC: 1846A-XBEE3
FCC/IC Test Transmit Power Output range	-6.8 to +19.9 dBm	-6.8 to +19.9 dBm
Europe (CE)	Yes	No
RoHS	Compliant	

Serial communication specifications

The XBee3 RF Module supports Universal Asynchronous Receiver / Transmitter (UART).

UART pin assignments

Specifications	Device pin number	
	XBee3 Micro	XBee3 Surface-mount
DOUT/DIO13	3	3
DIN / $\overline{\text{CONFIG}}$ /DIO14	4	4
$\overline{\text{CTS}}$ / DIO7	24	25
$\overline{\text{RTS}}$ / DIO6	27	29

GPIO specifications

XBee3 RF Modules have 15 General Purpose Input / Output (GPIO) ports available. The exact list depends on the device configuration as some GPIO pads are used for purposes such as serial communication.

GPIO electrical specification	Value
Voltage - supply	2.1 - 3.6 V
Low switching threshold	0.3 x VCC
High switching threshold	0.7 x VCC
Input pull-up resistor value	40 k Ω (typical)
Input pull-down resistor value	40 k Ω (typical)
Output voltage for logic 0	0.2 x VCC (maximum)
Output voltage for logic 1	0.8 x VCC (minimum)
Output source/sink current	50 mA (maximum)
Total output current (for GPIO pads)	200 mA (maximum)

802.15.4-specific specifications

The following tables provide specifications specific to the XBee3 RF Module when using the 802.15.4 physical layer, for example: Zigbee, DigiMesh, and so forth.

Performance specifications	10
Power requirements	10
Networking and security specifications	10
Communication interface specifications	10

Performance specifications

The following table describes the performance specifications for the devices.

Specification	XBee3	XBee3-PRO
Indoor/urban range	Up to 60 m (200 ft)	Up to 90 m (300 ft)
Outdoor RF line-of-sight range	Up to 1200 m (4000 ft)	Up to 3200 m (2 mi)
Transmit power output (maximum)	6.3 mW (+8 dBm)	79 mW (+19 dBm)
RF data rate	250,000 b/s	
Receiver sensitivity	-103 dBm	

Power requirements

The following table describes the power requirements for the XBee3 RF Module.

Specification	XBee3	XBee3-PRO
Adjustable power	Yes	
Supply voltage	2.1 - 3.6 V	
Operating current (transmit)	40 mA @ +3.3 V, +8 dBm	135 mA @ +3.3 V, +19 dBm
Operating current (receive)	15 mA	
Power-down current	1.7 μ A @ 25° C	

Networking and security specifications

The following table describes the networking and security specifications for the devices.

Specification	XBee3/XBee3-PRO
Supported network topologies	Point-to-point, point-to-multipoint, peer-to-peer, and DigiMesh
Number of channels	16 Direct sequence channels
Interface immunity	Direct Sequence Spread Spectrum (DSSS)
Channels	11 to 26
Addressing options	PAN ID and addresses, cluster IDs and endpoints (optional)

Communication interface specifications

The following table provides the device's communication interface specifications.

Interface options	
UART	250 Kb/s maximum

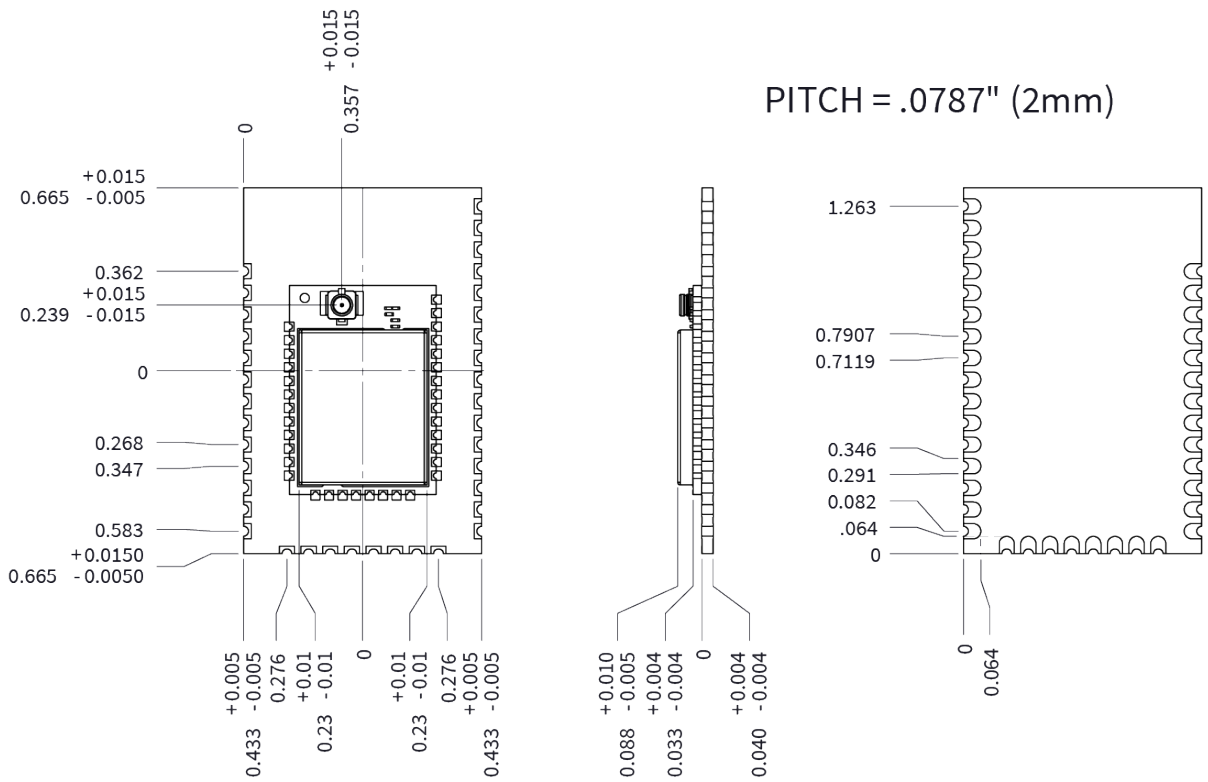
Hardware

Mechanical drawings	12
Pin signals for the XBee3 surface-mount module	15
Pin signals for the XBee3 micro module	18
Design notes	21

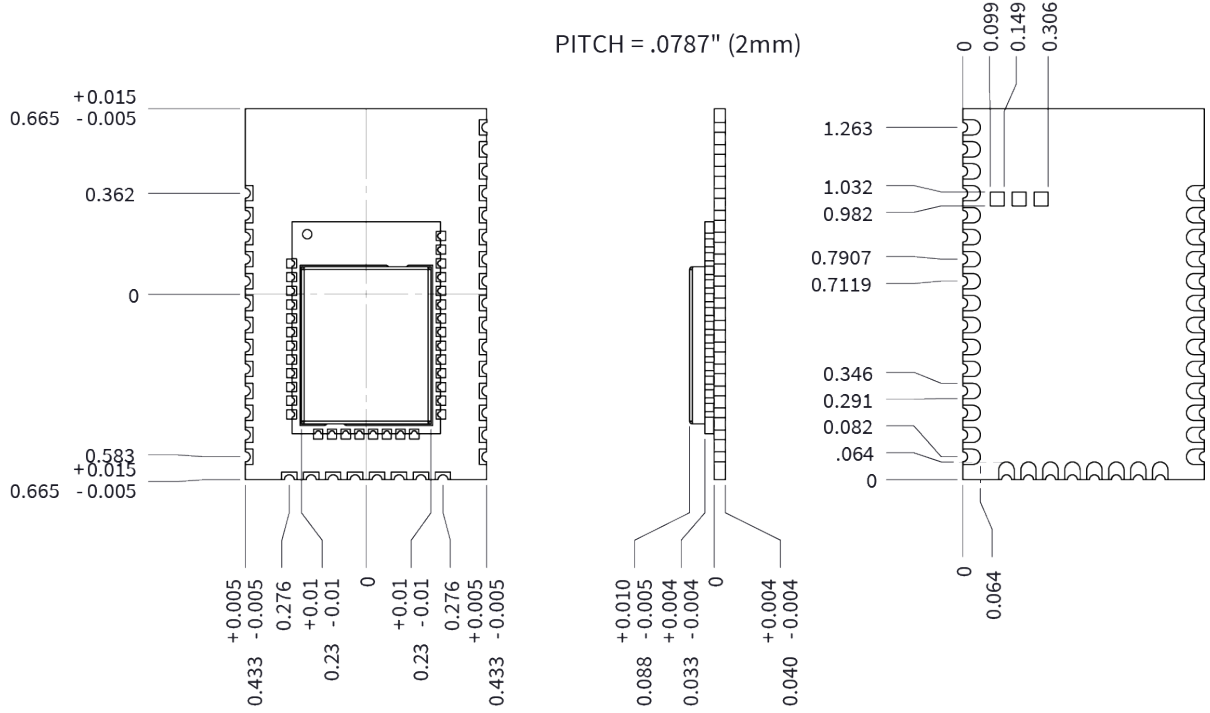
Mechanical drawings

The following mechanical drawings of the XBee3 RF Modules show all dimensions in inches.

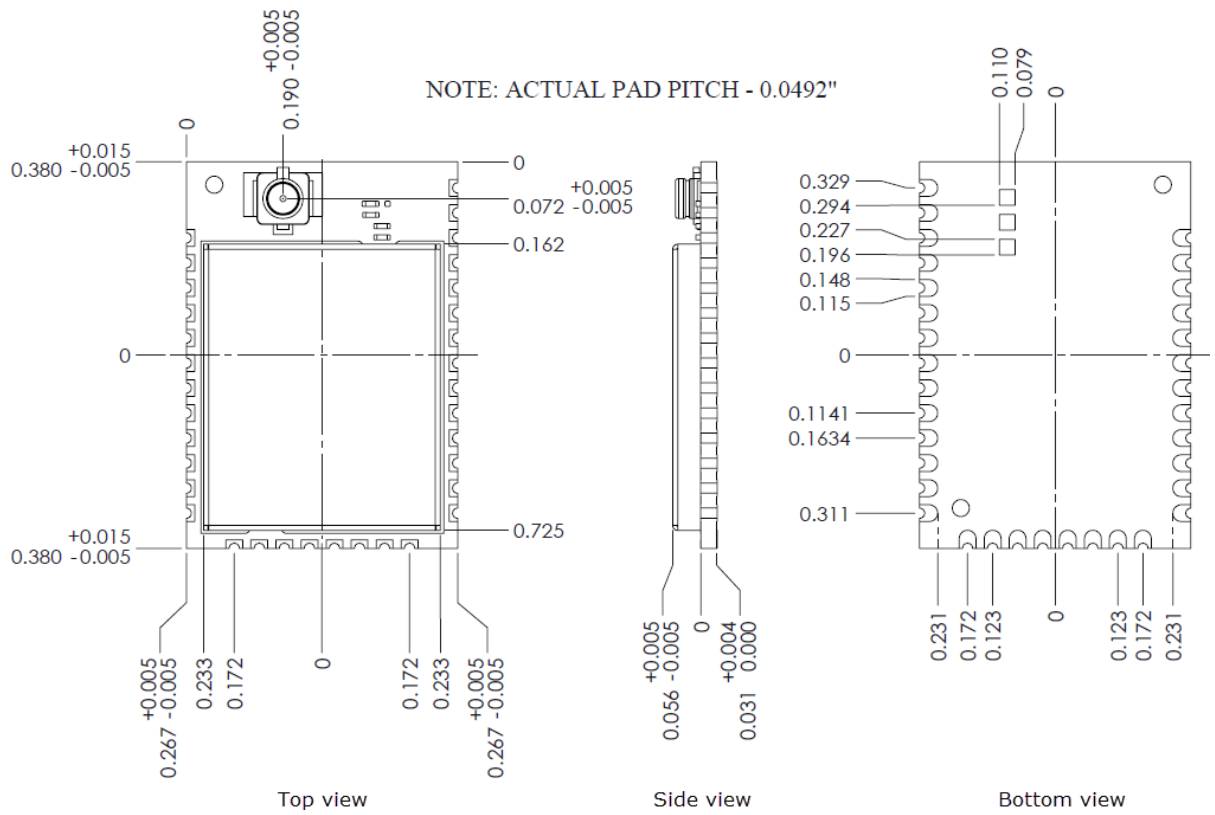
XBee3 surface-mount (U.FL/RF Pad)



XBee3 surface-mount (embedded antenna)

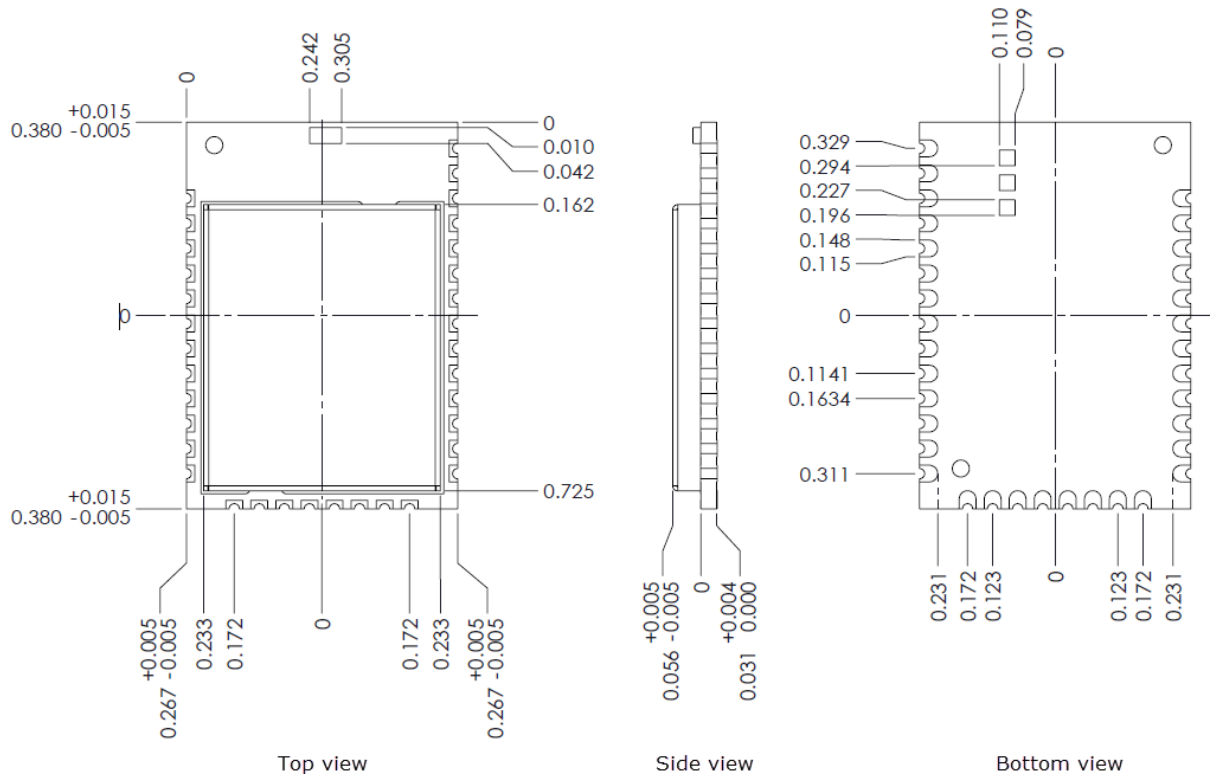


XBee3 micro (U.FL/RF Pad)



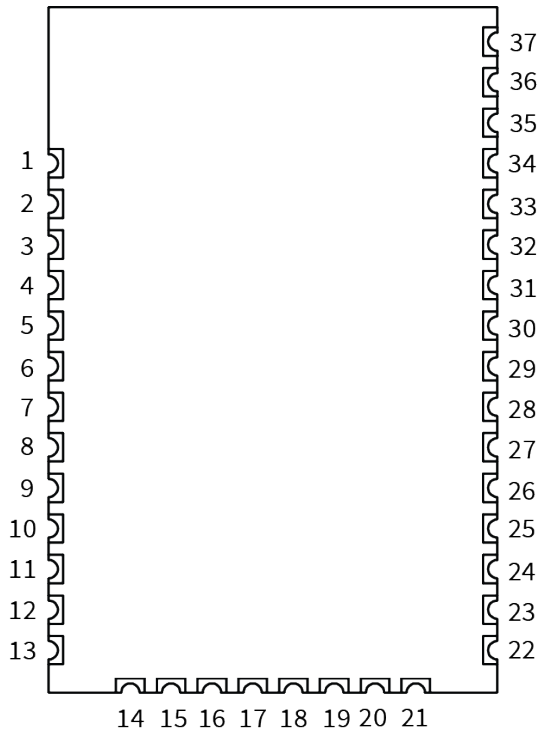
XBee3 micro (chip antenna)

NOTE: ACTUAL PAD PITCH - 0.0492"



Pin signals for the XBee3 surface-mount module

The following drawing shows the surface-mount (SMT) pin locations.



The following table shows the pin signals and their descriptions for the surface-mount device.

Pin#	Name	Direction	Default state	Description
1	GND	-	-	Ground.
2	VCC	-	-	Power supply.
3	DOUT /DIO13	Both	Output	UART data out /GPIO.
4	DIN / $\overline{\text{CONFIG}}$ /DIO14	Both	Input	UART data in /GPIO.
5	DIO12	Both		GPIO.
6	$\overline{\text{RESET}}$	Input		Device reset.
7	RSSI PWM/DIO10	Both	Output	RX signal strength Indicator /GPIO.
8	PWM1/DIO11	Both	Disabled	Pulse width modulator/GPIO.
9	[reserved]	-	Disabled	Do not connect.

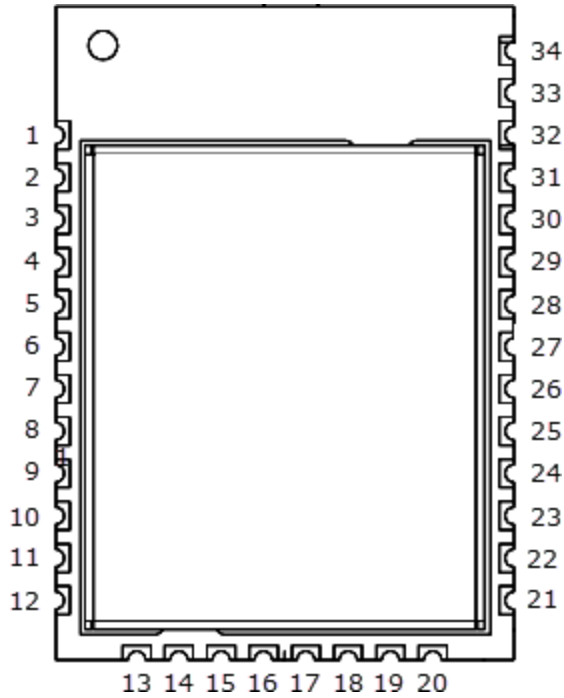
Pin#	Name	Direction	Default state	Description
10	$\overline{\text{DTR/SLEEP_RQ}}$ /DIO8	Both	Input	Pin sleep control Line/GPIO.
11	GND	-	-	Ground.
12	$\overline{\text{SPI_ATTN}}$ / $\overline{\text{BOOTMODE}}$ /DIO19	Output	Output	Serial peripheral interface attention . Do not tie low on reset.
13	GND	-	-	Ground.
14	SPI_CLK /DIO18	Input	Input	Serial peripheral interface clock/GPIO.
15	$\overline{\text{SPI_SSEL}}$ /DIO17	Input	Input	Serial peripheral interface not select/GPIO.
16	SPI_MOSI/DIO16	Input	Input	Serial peripheral interface data in/GPIO.
17	SPI_MISO/DIO15	Output	Output	Serial peripheral interface data out/GPIO.
18	[reserved]*	-	Disabled	Do not connect.
19	[reserved]*	-	Disabled	Do not connect.
20	[reserved]*	-	Disabled	Do not connect.
21	[reserved]*	-	Disabled	Do not connect.
22	GND	-	-	Ground.
23	[reserved]	-	Disabled	Do not connect.
24	DIO4	Both	Disabled	GPIO.
25	$\overline{\text{CTS}}$ /DIO7	Both	Output	Clear to send flow control/GPIO.
26	$\overline{\text{ON/SLEEP}}$ /DIO9	Both	Output	Device status indicator/GPIO

Pin#	Name	Direction	Default state	Description
27	[reserved]	-	Disabled	Do not connect or connect to Ground.
28	ASSOCIATE/DIO5	Both	Output	Associate Indicator/GPIO.
29	$\overline{\text{RTS}}$ /DIO6	Both	Input	Request to send flow control /GPIO.
30	AD3/DIO3	Both	Disabled	Analog input/GPIO.
31	AD2/DIO2	Both	Disabled	Analog input/GPIO
32	AD1/DIO1	Both	Disabled	Analog input/GPIO.
33	AD0 /DIO0	Both	Input	Analog input / GPIO / Commissioning button.
34	[reserved]	-	Disabled	Do not connect.
35	GND	-	-	Ground.
36	RF	Both	-	RF I/O for RF pad variant.
37	[reserved]	-	Disabled	Do not connect.

Signal direction is specified with respect to the device.
This is a complete list of functionalities. See the applicable software manual for available functionalities.
See [Design notes](#) for details on pin connections.
* Refer to [Writing custom firmware](#) for instructions on using these pins if JTAG functions are needed.

Pin signals for the XBee3 micro module

The following drawing shows the micro pin locations.



The following table shows the pin signals and their descriptions for the XBee3 Micro device.

Pin#	Name	Direction	Default state	Description
1	GND	-	-	Ground.
2	VCC	-	-	Power supply.
3	DOUT /DIO13	Both	Output	UART data out /GPIO.
4	DIN / $\overline{\text{CONFIG}}$ /DIO14	Both	Input	UART data in /GPIO.
5	DIO12	Both		GPIO.
6	$\overline{\text{RESET}}$	Input		Device reset.
7	RSSI PWM/DIO10	Both	Output	RX signal strength Indicator /GPIO.
8	PWM1/DIO11	Both	Disabled	Pulse width modulator/GPIO.
9	$\overline{\text{DTR}}$ /SLEEP_RQ /DIO8	Both	Input	Pin sleep control Line/GPIO.
10	GND	-	-	Ground.

Pin#	Name	Direction	Default state	Description
11	SPI_ $\overline{\text{ATTN}}$ / $\overline{\text{BOOTMODE}}$ / DIO19	Output	Output	Serial peripheral interface attention Do not tie low on reset.
12	GND	-	-	Ground.
13	SPI_CLK / DIO18	Input	Input	Serial peripheral interface clock/GPIO.
14	SPI_ $\overline{\text{SSEL}}$ / DIO17	Input	Input	Serial peripheral interface not select/GPIO.
15	SPI_MOSI / DIO16	Input	Input	Serial peripheral interface data in/GPIO.
16	SPI_MISO / DIO15	Output	Output	Serial peripheral interface data out/GPIO.
17	[reserved]*	-	Disabled	Do not connect.
18	[reserved]*	-	Disabled	Do not connect.
19	[reserved]*	-	Disabled	Do not connect.
20	[reserved]*	-	Disabled	Do not connect.
21	GND	-	-	Ground.
22	[reserved]	-	Disabled	Do not connect.
23	DIO4	Both	Disabled	GPIO.
24	$\overline{\text{CTS}}$ / DIO7	Both	Output	Clear to send flow control/GPIO.
25	ON / $\overline{\text{SLEEP}}$ / DIO9	Both	Output	Device status indicator/GPIO.
26	ASSOCIATE / DIO5	Both	Output	Associate Indicator/GPIO.
27	$\overline{\text{RTS}}$ / DIO6	Both	Input	Request to send flow control /GPIO.

Pin#	Name	Direction	Default state	Description
28	AD3/DIO3	Both	Disabled	Analog input/GPIO.
29	AD2/DIO2	Both	Disabled	Analog input/GPIO.
30	AD1/DIO1	Both	Disabled	Analog input/GPIO.
31	AD0 /DIO0	Both	Input	Analog input / GPIO / Commissioning button.
32	GND	-	-	Ground.
33	RF	Both	-	RF I/O for RF pad variant.
34	GND	-	-	Ground.

Signal direction is specified with respect to the device.
This is a complete list of functionalities. See the applicable software manual for available functionalities.
See [Design notes](#) for details on pin connections.
* Refer to [Writing custom firmware](#) for instructions on using these pins if JTAG functions are needed.

Design notes

XBee3 modules do not require any external circuitry or specific connections for proper operation. However, there are some general design guidelines that we recommend to build and troubleshoot a robust design.

Power supply design

A poor power supply can lead to poor radio performance, especially if you do not keep the supply voltage within tolerance or if it is excessively noisy. To help reduce noise, place a 1.0 μ F and 8.2 pF capacitor as near as possible to XBee3 pad 2 (VCC) on the PCB. Adding a 10uF decoupling capacitor is also recommended. If you are using a switching regulator for the power supply, switch the frequencies above 500 kHz. Limit the power supply ripple to a maximum 50 mV peak to peak. For best results, place the lower capacitance capacitors closest to the XBee3 module.

Board layout

We design XBee3 modules to be self-sufficient and have minimal sensitivity to nearby processors, crystals or other printed circuit board (PCB) components. Keep power and ground traces thicker than signal traces and make sure that they are able to comfortably support the maximum current specifications. There are no other special PCB design considerations to integrate XBee3 modules, with the exception of antennas.

Antenna performance

Antenna location is important for optimal performance. The following suggestions help you achieve optimal antenna performance. Point the antenna up vertically (upright). Antennas radiate and receive the best signal perpendicular to the direction they point, so a vertical antenna's omnidirectional radiation pattern is strongest across the horizon.

Position the antennas away from metal objects whenever possible. Metal objects between the transmitter and receiver can block the radiation path or reduce the transmission distance. Objects that are often overlooked include:

- Metal poles
- Metal studs
- Structure beams
- Concrete, which is usually reinforced with metal rods

If you place the device inside a metal enclosure, use an external antenna. Common objects that have metal enclosures include:

- Vehicles
- Elevators
- Ventilation ducts
- Refrigerators
- Microwave ovens
- Batteries
- Tall electrolytic capacitors

Use the following additional guidelines for optimal antenna performance:

- Do not place XBee3 modules with the chip antenna or the embedded antenna inside a metal enclosure.
- Do not place any ground planes or metal objects above or below the antenna.
- For the best results, mount the device at the edge of the host PCB. Ensure that the ground, power, and signal planes are vacant immediately below the antenna section.

Recommended pin connections

The only required pin connections for two-way communication are VCC, GND, DOUT and DIN. To support serial firmware updates, you must connect VCC, GND, DOUT, DIN, RTS, and DTR.

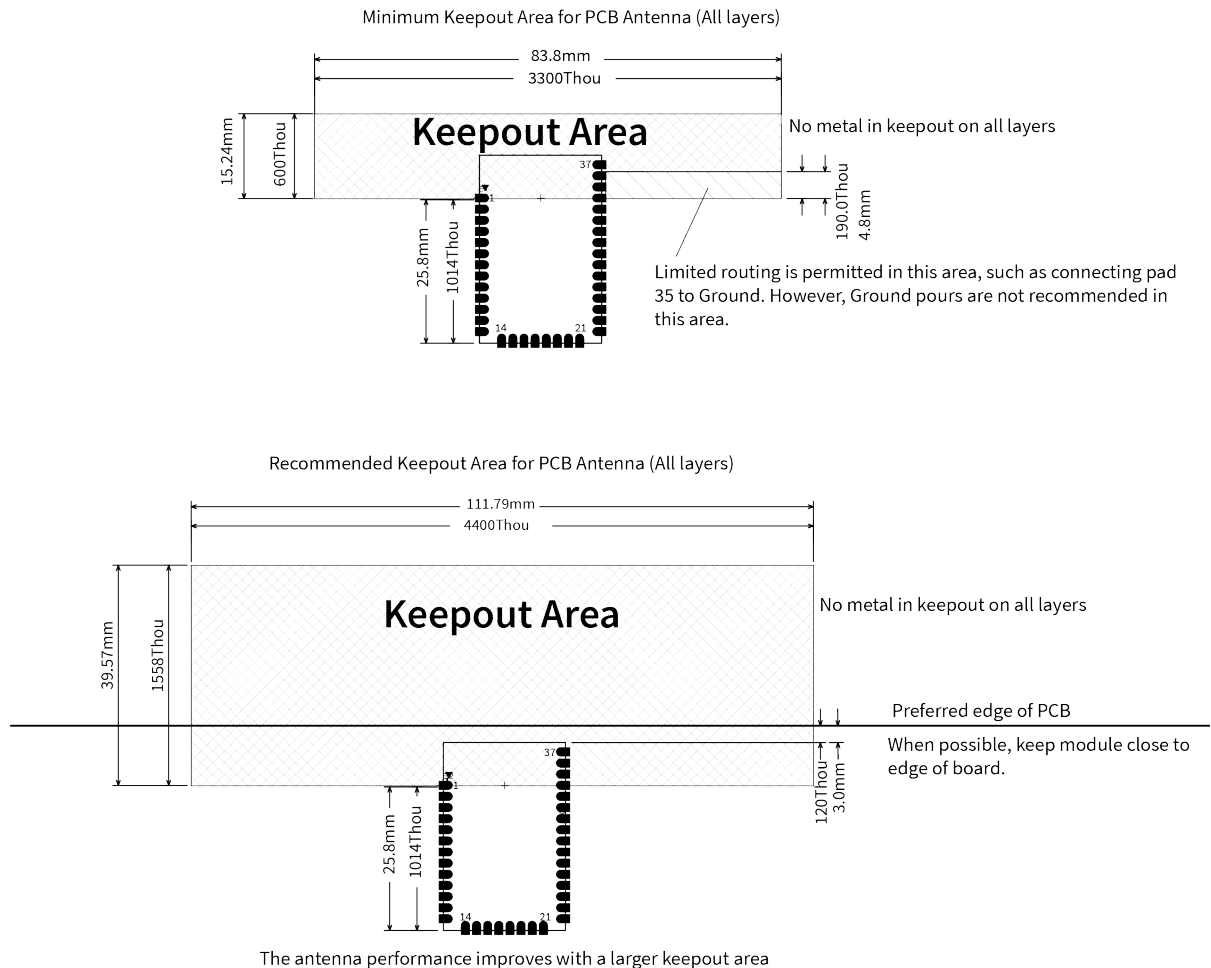
For applications that need to ensure the lowest sleep current, never leave unconnected inputs floating. Use internal or external pull-up or pull-down resistors, or set the unused I/O lines to outputs.

Design notes for surface mount PCB antenna and micro footprint chip antenna devices

Position PCB/chip antenna devices so there are no ground planes or metal objects above or below the antenna. For best results, do not place the device in a metal enclosure, as this may greatly reduce the range. Place the device at the edge of the PCB on which it is mounted. Make sure the ground, power and signal planes are vacant immediately below the antenna section.

The following drawings illustrate important recommendations when you are designing with PCB/chip antenna devices. For optimal performance, do not mount the device on the RF pad footprint described in the next section, because the footprint requires a ground plane within the PCB antenna keepout area.

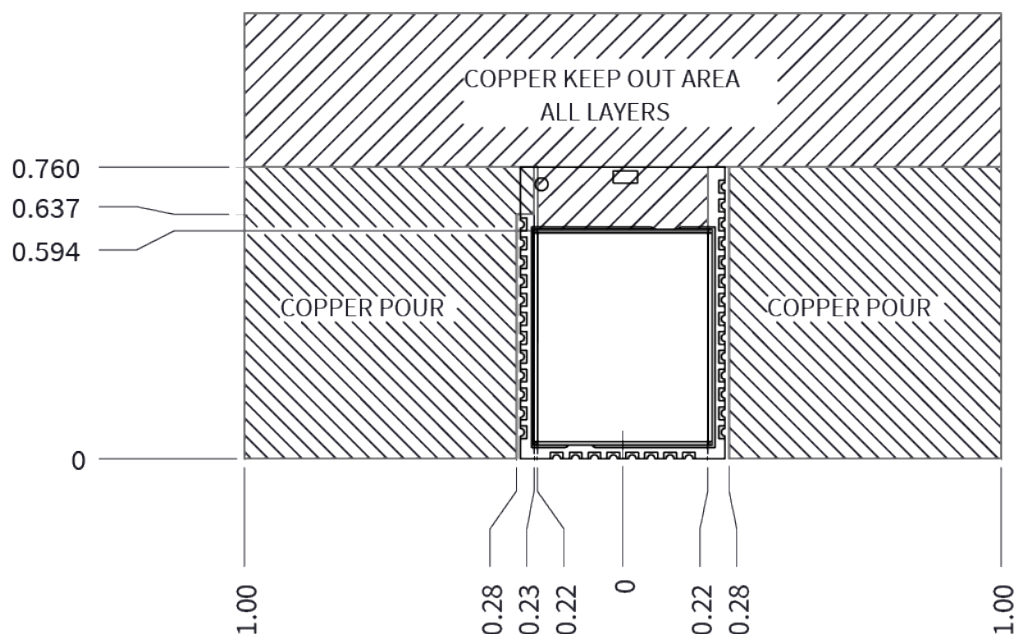
Surface-mount embedded antenna keepout area



Notes

1. We recommend non-metal enclosures. For metal enclosures, use an external antenna.
2. Keep metal chassis or mounting structures in the keepout area at least 2.54 cm (1 in) from the antenna.
3. Maximize the distance between the antenna and metal objects that might be mounted in the keepout area.
4. These keepout area guidelines do not apply for chip antennas or external RF connectors.

XBee3 Micro keepout area



Notes

1. We recommend non-metal enclosures. For metal enclosures, use an external antenna.
2. Keep metal chassis or mounting structures in the keepout area at least 2.54 cm (1 in) from the antenna.
3. Maximize the distance between the antenna and metal objects that might be mounted in the keepout area.
4. These keepout area guidelines do not apply for surface-mount embedded antennas or external RF connectors.

Design notes for RF pad devices

The RF pad is a soldered antenna connection. The RF signal travels from the RF pad connection (pad 33 on micro modules and pad 36 on surface-mount modules) on the device to the antenna through an RF trace transmission line on the PCB. Any additional components between the device and antenna violates modular certification. The controlled impedance for the RF trace is 50 Ω .

We recommend using a microstrip trace, although you can also use a coplanar waveguide if you need more isolation. A microstrip generally requires less area on the PCB than a coplanar waveguide. We do not recommend using a stripline because sending the signal to different PCB layers can introduce matching and performance problems.

Following good design practices is essential when implementing the RF trace on a PCB. Consider the following points:

- Minimize the length of the trace by placing the RPSMA jack close to the device.
- Connect all of the grounds on the jack and the device to the ground planes directly or through closely placed vias.

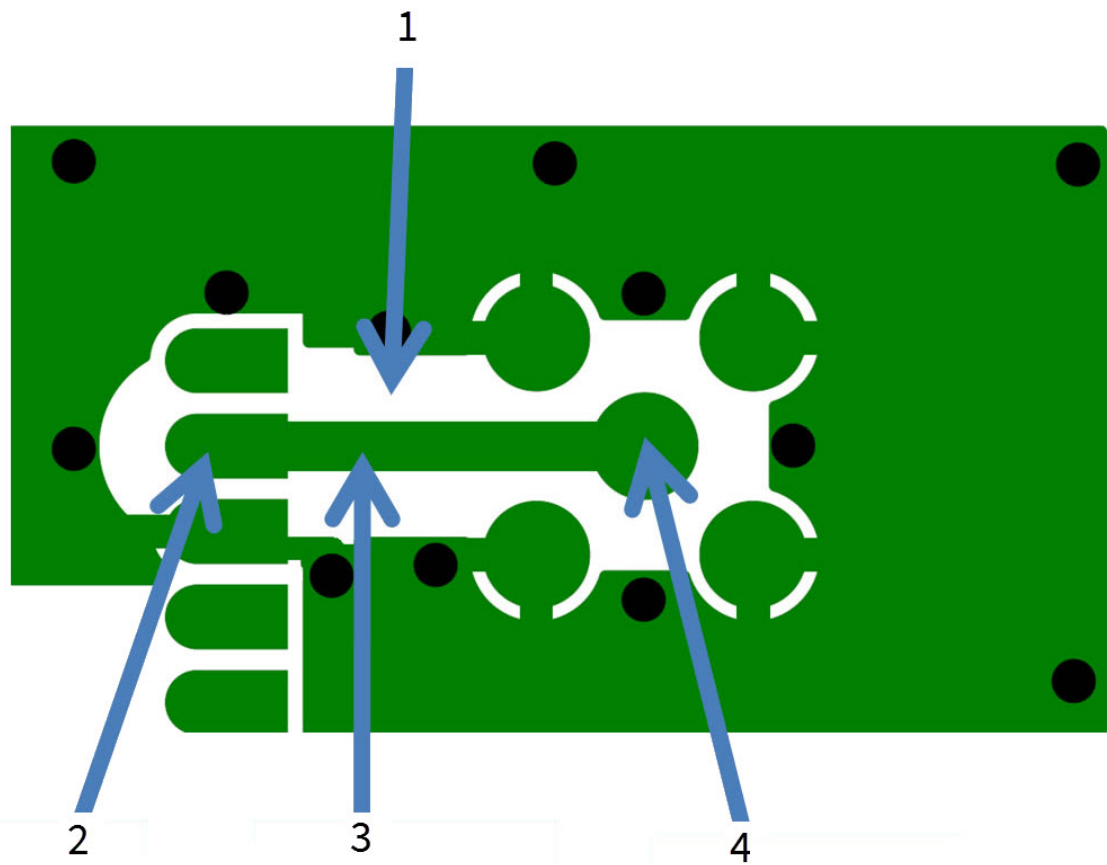
- Space any ground fill on the top layer at least twice the distance **d**, for Micro modules at least 0.028" and for surface mount modules at least 0.050".

Additional considerations:

- The top two layers of the PCB have a controlled thickness dielectric material in between.
- The second layer has a ground plane which runs underneath the entire RF pad area. This ground plane is a distance **d**, the thickness of the dielectric, below the top layer.
- The RF trace width determines the impedance of the transmission line with relation to the ground plane. Many online tools can estimate this value, although you should consult the PCB manufacturer for the exact width.

Implementing these design suggestions helps ensure that the RF pad device performs to its specifications.

The following figures show a layout example of a host PCB that connects an RF pad device to a right angle, through-hole RPSMA jack.



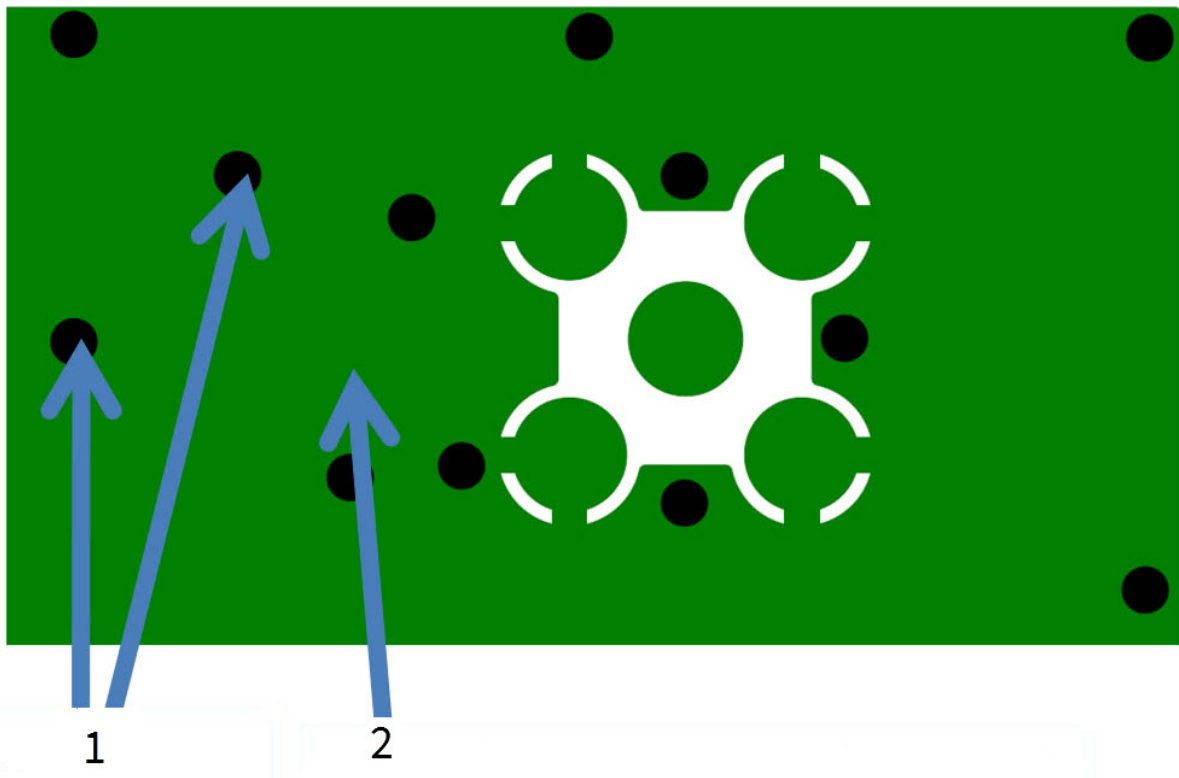
Number	Description
1	Maintain a distance of at least 2 d between microstrip and ground fill.

Number	Description
2	RF pad pin.
3	50 Ω microstrip trace.
4	RF connection of RPSMA jack.

This example is on a surface-mount device. The width in this example is approximately 0.045" for a 50 Ω trace, assuming $d=0.025$ ", and that the dielectric has a relative permittivity of 4.4. This trace width is a good fit with the device footprint's 0.060" pad width.

Note We do not recommend using a trace wider than the pad width, and using a very narrow trace (under 0.010") can cause unwanted RF loss.

The following illustration shows PCB layer 2 of an example RF layout.



Number	Description
1	Use multiple vias to help eliminate ground variations.
2	Put a solid ground plane under RF trace to achieve the desired impedance.

Regulatory information

United States (FCC)	28
Europe (CE)	35
IC (Industry Canada)	37

United States (FCC)

XBee3 RF Modules comply with Part 15 of the FCC rules and regulations. Compliance with the labeling requirements, FCC notices and antenna usage guidelines is required.

To fulfill FCC Certification, the OEM must comply with the following regulations:

1. The system integrator must ensure that the text on the external label provided with this device is placed on the outside of the final product.
2. RF Modules may only be used with antennas that have been tested and approved for use with the modules.

OEM labeling requirements



WARNING! As an Original Equipment Manufacturer (OEM) you must ensure that FCC labeling requirements are met. You must include a clearly visible label on the outside of the final product enclosure that displays the following content:

Required FCC Label for OEM products containing the XBee3 RF Module

Contains FCC ID: MCQ-XBEE3

This device complies with Part 15 of the FCC Rules. Operation is subject to the following two conditions: (1.) this device may not cause harmful interference and (2.) this device must accept any interference received, including interference that may cause undesired operation.

FCC notices

IMPORTANT: XBee3 RF Modules have been certified by the FCC for use with other products without any further certification (as per FCC section 2.1091). Modifications not expressly approved by Digi could void the user's authority to operate the equipment.

IMPORTANT: OEMs must test final product to comply with unintentional radiators (FCC section 15.107 & 15.109) before declaring compliance of their final product to Part 15 of the FCC Rules.

IMPORTANT: The RF module has been certified for remote and base radio applications. If the module will be used for portable applications, the device must undergo SAR testing.

This equipment has been tested and found to comply with the limits for a Class B digital device, pursuant to Part 15 of the FCC Rules. These limits are designed to provide reasonable protection against harmful interference in a residential installation. This equipment generates, uses and can radiate radio frequency energy and, if not installed and used in accordance with the instructions, may cause harmful interference to radio communications. However, there is no guarantee that interference will not occur in a particular installation.

If this equipment does cause harmful interference to radio or television reception, which can be determined by turning the equipment off and on, the user is encouraged to try to correct the interference by one or more of the following measures: Re-orient or relocate the receiving antenna, Increase the separation between the equipment and receiver, Connect equipment and receiver to outlets on different circuits, or Consult the dealer or an experienced radio/TV technician for help.

FCC-approved antennas (2.4 GHz)

The XBee3 RF Module can be installed using antennas and cables constructed with non-standard connectors (RPSMA, RPTNC, etc.) An adapter cable may be necessary to attach the XBee connector to the antenna connector.

The modules are FCC approved for fixed base station and mobile applications for the channels indicated in the tables below. If the antenna is mounted at least 20 cm (7.87 in) from nearby persons, the application is considered a mobile application. Antennas not listed in the table must be tested to comply with FCC Section 15.203 (Unique Antenna Connectors) and Section 15.247 (Emissions).

The antennas in the tables below have been approved for use with this module. Cable loss is required when using gain antennas as shown in the tables.

Digi does not carry all of these antenna variants. Contact Digi Sales for available antennas.

XBee3 RF module

The following table shows the antennas approved for use with the XBee3 RF module.

All antenna part numbers followed by an asterisk (*) are not available from Digi. Consult with an antenna manufacturer for an equivalent option.

Part number	Type (description)	Gain (dBi)	Application*	Min. separation	Required antenna cable loss (dB)	
					802.15.4 Based Protocols (Ex: ZigBee)	BLE (when available)
Integral antennas						
29000313	Integral PCB antenna (surface-mount only)	0.0	Fixed/Mobile	20 cm	N/A	N/A
29000710	Chip antenna (micro only)	0.0	Fixed/Mobile	20 cm	N/A	N/A
Dipole antennas						
A24-HASM-450	Dipole (Half-wave articulated RPSMA - 4.5")	2.1	Fixed	20 cm	N/A	N/A
A24-HABSM*	Dipole (Articulated RPSMA)	2.1	Fixed	20 cm	N/A	N/A
29000095	Dipole (Half-wave articulated RPSMA - 4.5")	2.1	Fixed/Mobile	20 cm	N/A	N/A
A24-HABUF-P5I	Dipole (Half-wave articulated bulkhead mount U.F.L. w/ 5" pigtail)	2.1	Fixed/Mobile	20 cm	N/A	N/A
A24-HASM-525	Dipole (Half-wave articulated RPSMA - 5.25")	2.1	Fixed	20 cm	N/A	N/A
Omni-directional antennas						
A24-F2NF	Omni-directional (Fiberglass base station)	2.1	Fixed/Mobile	20 cm	N/A	N/A
A24-F3NF	Omni-directional (Fiberglass base station)	3.0	Fixed/Mobile	20 cm	N/A	N/A
A24-F5NF	Omni-directional (Fiberglass base station)	5.0	Fixed	20 cm	N/A	N/A
A24-F8NF	Omni-directional (Fiberglass base station)	8.0	Fixed	2 m	N/A	N/A

Part number	Type (description)	Gain (dBi)	Application*	Min. separation	Required antenna cable loss (dB)	
					802.15.4 Based Protocols (Ex: ZigBee)	BLE (when available)
A24-F9NF	Omni-directional (Fiberglass base station)	9.5	Fixed	2 m	N/A	N/A
A24-F10NF	Omni-directional (Fiberglass base station)	10.0	Fixed	2 m	N/A	N/A
A24-F12NF	Omni-directional (Fiberglass base station)	12.0	Fixed	2 m	N/A	N/A
A24-W7NF	Omni-directional (Fiberglass base station)	7.2	Fixed	2 m	N/A	N/A
A24-M7NF	Omni-directional (Mag-mount base station)	7.2	Fixed	2 m	N/A	N/A
A24-F15NF	Omni-directional (Fiberglass base station)	15.0	Fixed	2 m	N/A	N/A
Panel antennas						
A24-P8SF	Flat Panel	8.5	Fixed	2 m	N/A	N/A
A24-P8NF	Flat Panel	8.5	Fixed	2 m	N/A	N/A
A24-P13NF	Flat Panel	13.0	Fixed	2 m	N/A	N/A
A24-P14NF	Flat Panel	14.0	Fixed	2 m	N/A	N/A
A24-P15NF	Flat Panel	15.0	Fixed	2 m	N/A	N/A
A24-P16NF	Flat Panel	16.0	Fixed	2 m	N/A	N/A
A24-P19NF	Flat Panel	19.0	Fixed	2 m	N/A	N/A
Yagi antennas						
A24-Y6NF	Yagi (6-element)	8.8	Fixed	2 m	N/A	N/A
A24-Y7NF	Yagi (7-element)	9.0	Fixed	2 m	N/A	N/A
A24-Y9NF	Yagi (9-element)	10.0	Fixed	2 m	N/A	N/A
A24-Y10NF	Yagi (10-element)	11.0	Fixed	2 m	N/A	N/A

Part number	Type (description)	Gain (dBi)	Application*	Min. separation	Required antenna cable loss (dB)	
					802.15.4 Based Protocols (Ex: ZigBee)	BLE (when available)
A24-Y12NF	Yagi (12-element)	12.0	Fixed	2 m	N/A	N/A
A24-Y13NF	Yagi (13-element)	12.0	Fixed	2 m	N/A	N/A
A24-Y15NF	Yagi (15-element)	12.5	Fixed	2 m	N/A	N/A
A24-Y16NF	Yagi (16-element)	13.5	Fixed	2 m	N/A	N/A
A24-Y16RM	Yagi (16-element, RPSMA connector)	13.5	Fixed	2 m	N/A	N/A
A24-Y18NF	Yagi (18-element)	15.0	Fixed	2 m	N/A	N/A

XBee3-PRO RF module

The following table shows the antennas approved for use with the XBee3-PRO RF Module.

All antenna part numbers followed by an asterisk (*) are not available from Digi. Consult with an antenna manufacturer for an equivalent option.

Part number	Type (description)	Gain (dBi)	Application*	Min separation	Required antenna cable loss (dB)	
					802.15.4 Based Protocols (Ex: ZigBee)	BLE (when available)
Internal antennas						
29000313	Integral PCB antenna (surface mount only)	0.0	Fixed/Mobile	20 cm	N/A	N/A
29000710	Chip antenna (micro only)	0.0	Fixed/Mobile	20 cm	N/A	N/A
Dipole antennas						
A24-HASM-450	Dipole (Half-wave articulated RPSMA - 4.5")	2.1	Fixed	20 cm	N/A	N/A
A24-HABSM*	Dipole (Articulated RPSMA)	2.1	Fixed	20 cm	N/A	N/A
29000095	Dipole (Half-wave articulated RPSMA - 4.5")	2.1	Fixed/Mobile	20 cm	N/A	N/A
A24-HABUF-P5I	Dipole (Half-wave articulated bulkhead mount U.F.L. w/ 5" pigtail)	2.1	Fixed/Mobile	20 cm	N/A	N/A
A24-HASM-525	Dipole (Half-wave articulated RPSMA - 5.25")	2.1	Fixed	20 cm	N/A	N/A
Omni-directional antennas						
A24-F2NF	Omni-directional (Fiberglass base station)	2.1	Fixed/Mobile	20 cm	N/A	N/A
A24-F3NF	Omni-directional (Fiberglass base station)	3.0	Fixed/Mobile	20 cm	N/A	N/A
A24-F5NF	Omni-directional (Fiberglass base station)	5.0	Fixed	20 cm	N/A	N/A
A24-F8NF	Omni-directional (Fiberglass base station)	8.0	Fixed	2 m	N/A	N/A

Part number	Type (description)	Gain (dBi)	Application*	Min separation	Required antenna cable loss (dB)	
					802.15.4 Based Protocols (Ex: ZigBee)	BLE (when available)
A24-F9NF	Omni-directional (Fiberglass base station)	9.5	Fixed	2 m	N/A	N/A
A24-F10NF	Omni-directional (Fiberglass base station)	10	Fixed	2 m	N/A	N/A
A24-F12NF	Omni-directional (Fiberglass base station)	12	Fixed	2 m	N/A	N/A
A24-W7NF	Omni-directional (Fiberglass base station)	7.2	Fixed	2 m	N/A	N/A
A24-M7NF	Omni-directional (Mag-mount base station)	7.2	Fixed	2 m	N/A	N/A
A24-F15NF	Omni-directional (Fiberglass base station)	15.0	Fixed	2 m	N/A	2.0
Panel antennas						
A24-P8SF	Flat Panel	8.5	Fixed	2 m	N/A	N/A
A24-P8NF	Flat Panel	8.5	Fixed	2 m	N/A	N/A
A24-P13NF	Flat Panel	13.0	Fixed	2 m	N/A	N/A
A24-P14NF	Flat Panel	14.0	Fixed	2 m	N/A	1.0
A24-P15NF	Flat Panel	15.0	Fixed	2 m	N/A	2.0
A24-P16NF	Flat Panel	16.0	Fixed	2 m	N/A	3.0
A24-P19NF	Flat Panel	19.0	Fixed	2 m	3.0	6.0
Yagi antennas						
A24-Y6NF	Yagi (6-element)	8.8	Fixed	2 m	N/A	N/A
A24-Y7NF	Yagi (7-element)	9.0	Fixed	2 m	N/A	N/A
A24-Y9NF	Yagi (9-element)	10.0	Fixed	2 m	N/A	N/A
A24-Y10NF	Yagi (10-element)	11.0	Fixed	2 m	N/A	N/A

Part number	Type (description)	Gain (dBi)	Application*	Min separation	Required antenna cable loss (dB)	
					802.15.4 Based Protocols (Ex: ZigBee)	BLE (when available)
A24-Y12NF	Yagi (12-element)	12.0	Fixed	2 m	N/A	N/A
A24-Y13NF	Yagi (13-element)	12.0	Fixed	2 m	N/A	N/A
A24-Y15NF	Yagi (15-element)	12.5	Fixed	2 m	N/A	N/A
A24-Y16NF	Yagi (16-element)	13.5	Fixed	2 m	N/A	0.5
A24-Y16RM	Yagi (16-element, RPSMA connector)	13.5	Fixed	2 m	N/A	0.5
A24-Y18NF	Yagi (18-element)	15.0	Fixed	2 m	N/A	2.0

RF exposure

If you are an integrating the XBee3 into another product, you must include the following Caution statement in OEM product manuals to alert users of FCC RF exposure compliance:



CAUTION! To satisfy FCC RF exposure requirements for mobile transmitting devices, a separation distance of 20 cm or more should be maintained between the antenna of this device and persons during device operation. To ensure compliance, operations at closer than this distance are not recommended. The antenna used for this transmitter must not be co-located in conjunction with any other antenna or transmitter.

Europe (CE)

The XBee3 RF Module has been tested for use in several European countries. For a complete list, refer to www.digi.com/resources/certifications.

If XBee3 RF Modules are incorporated into a product, the manufacturer must ensure compliance of the final product with articles 3.1a and 3.1b of the Radio Equipment Directive. A Declaration of Conformity must be issued for each of these standards and kept on file as described in the Radio Equipment Directive.

Furthermore, the manufacturer must maintain a copy of the XBee3 RF Module user guide documentation and ensure the final product does not exceed the specified power ratings, antenna specifications, and/or installation requirements as specified in the user guide.

Maximum power and frequency specifications

For the XBee3 device:

When using 802.15.4 RF physical layer:

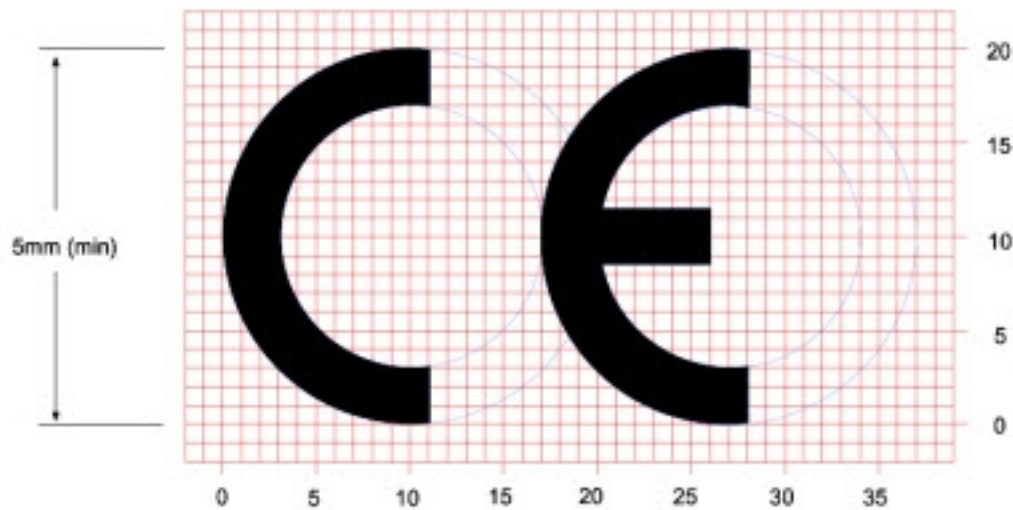
- Maximum power: 8.61mW (9.35 dBm) Equivalent Isotropically Radiated Power (EIRP).
- Frequencies: 5 MHz channel spacing, beginning at 2405 MHz and ending at 2480 MHz.

When using BLE RF physical layer:

- Maximum power: 9.02mW (9.55 dBm) Equivalent Isotropically Radiated Power (EIRP).
- Frequencies: 2 MHz channel spacing, beginning at 2402 MHz and ending at 2480 MHz.

OEM labeling requirements

The “CE” marking must be affixed to a visible location on the OEM product. The following figure shows CE labeling requirements.



The CE mark shall consist of the initials “CE” taking the following form:

- If the CE marking is reduced or enlarged, the proportions given in the above graduated drawing must be respected.
- The CE marking must have a height of at least 5 mm except where this is not possible on account of the nature of the apparatus.
- The CE marking must be affixed visibly, legibly, and indelibly.

Digi customers assume full responsibility for learning and meeting the required guidelines for each country in their distribution market. Refer to the radio regulatory agency in the desired countries of operation for more information.

Declarations of conformity

Digi has issued Declarations of Conformity for the XBee3 RF Modules concerning emissions, EMC, and safety. For more information, see www.digi.com/resources/certifications.

Antennas

The following antennas have been tested and approved for use with the XBee3 RF Module:

All antenna part numbers followed by an asterisk (*) are not available from Digi. Consult with an antenna manufacturer for an equivalent option.

- Dipole (2.1 dBi, Omni-directional, Articulated RPSMA, Digi part number A24-HABSM)
- PCB antenna (surface mount boards only) (0.0 dBi)
- Chip antenna (micro form factor only) (0.0 dBi)

IC (Industry Canada)

Labeling requirements

Labeling requirements for Industry Canada are similar to those of the FCC. A clearly visible label on the outside of the final product enclosure must display the following text.

For XBee3:

Contains Model XBEE3, IC: 1846A-XBEE3

The integrator is responsible for its product to comply with IC ICES-003 & FCC Part 15, Sub. B -Unintentional Radiators. ICES-003 is the same as FCC Part 15 Sub. B and Industry Canada accepts FCC test report or CISPR 22 test report for compliance with ICES-003.

This device complies with Industry Canada licence-exempt RSS standard(s). Operation is subject to the following two conditions: (1) this device may not cause interference, and (2) this device must accept any interference, including interference that may cause undesired operation of the device.

Le présent appareil est conforme aux CNR d'Industrie Canada applicables aux appareils radio exempts de licence. L'exploitation est autorisée aux deux conditions suivantes: (1) l'appareil ne doit pas produire de brouillage, et (2) l'utilisateur de l'appareil doit accepter tout brouillage radioélectrique subi, même si le brouillage est susceptible d'en compromettre le fonctionnement.

RF Exposure



CAUTION! This equipment is approved for mobile and base station transmitting devices only. Antenna(s) used for this transmitter must be installed to provide a separation distance of at least 20 cm from all persons and must not be co-located or operating in conjunction with any other antenna or transmitter.



ATTENTION! Cet équipement est approuvé pour la mobile et la station base dispositifs d'émission seulement. Antenne(s) utilisé pour cet émetteur doit être installé pour fournir une distance de séparation d'au moins 20 cm à partir de toutes les personnes et ne doit pas être situé ou fonctionner en conjonction avec tout autre antenne ou émetteur.

Transmitters with Detachable Antennas

This radio transmitter (IC: 1846A-XBEE3) has been approved by Industry Canada to operate with the antenna types listed in [FCC-approved antennas \(2.4 GHz\)](#) with the maximum permissible gain and required antenna impedance for each antenna type indicated. Antenna types not included in this list, having a gain greater than the maximum gain indicated for that type, are strictly prohibited for use with this device.

Le présent émetteur radio (IC: 1846A-XBEE3) a été approuvé par Industrie Canada pour fonctionner avec les types d'antenne énumérés ci-dessous et ayant un gain admissible maximal et l'impédance requise pour chaque type d'antenne. Les types d'antenne non inclus dans cette liste, ou dont le gain est supérieur au gain maximal indiqué, sont strictement interdits pour l'exploitation de l'émetteur.

Detachable Antenna

Under Industry Canada regulations, this radio transmitter may operate using only an antenna of a type and maximum (or lesser) gain approved for the transmitter by Industry Canada. To reduce potential radio interference to other users, the antenna type and its gain should be so chosen that the equivalent isotropically radiated power (EIRP) is not more than that necessary for successful communication.

Conformément à la réglementation d'Industrie Canada, le présent émetteur radio peut fonctionner avec une antenne d'un type et d'un gain maximal (ou inférieur) approuvé pour l'émetteur par Industrie Canada. Dans le but de réduire les risques de brouillage radioélectrique à l'intention des autres utilisateurs, il faut choisir le type d'antenne et son gain de sorte que la puissance isotrope rayonnée équivalente (p.i.r.e.) ne dépasse pas l'intensité nécessaire à l'établissement d'une communication satisfaisante.

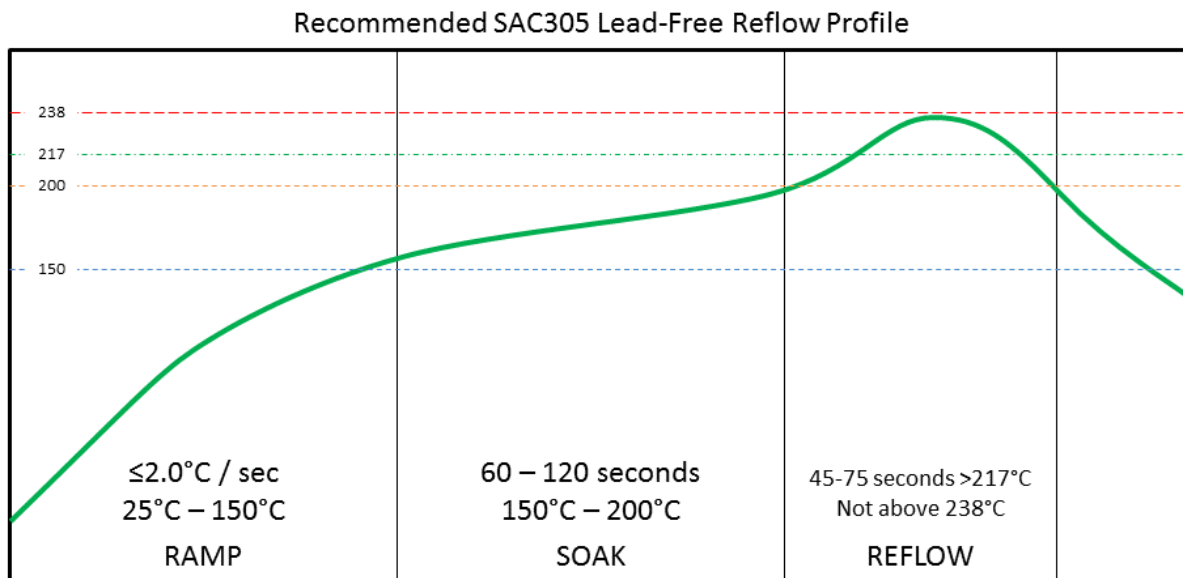
Manufacturing information

The XBee3 RF Module (both surface-mount and micro) is designed for surface-mounting on the OEM PCB. It has castellated pads to allow for easy solder attaching and inspection. The pads are all located on the edge of the device so there are no hidden solder joints on these devices.

Recommended solder reflow cycle	40
Handling and storage	40
Recommended footprint	41
Flux and cleaning	44
Reworking	44

Recommended solder reflow cycle

The following diagram shows the recommended solder reflow cycle.



Recommended reflow profile only
Modifications to profile may be required to fit specific application, process or design

The device reflows during this cycle, and must not be reflowed upside down. Be careful not to jar the device while the solder is molten, as parts inside the device can be removed from their required locations.

Hand soldering is possible and should be done in accordance with approved standards.

Handling and storage

The XBee3 RF Modules are level 3 Moisture Sensitive Devices. When using this kind of device, consider the relative requirements in accordance with standard IPC/JEDEC J-STD-020.

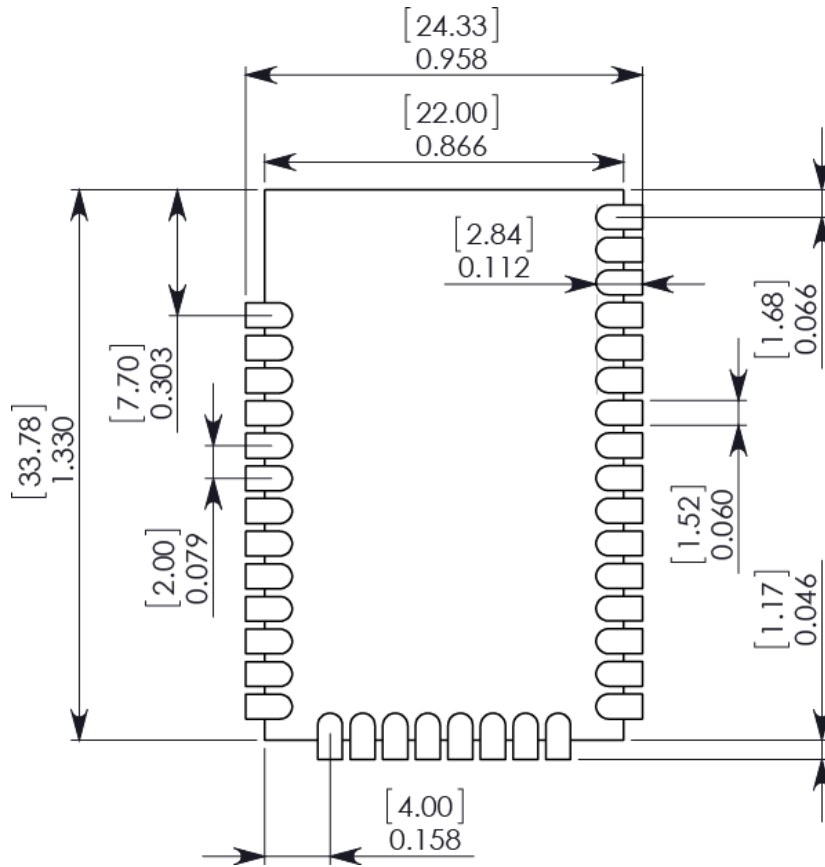
In addition, note the following conditions:

- a. Calculated shelf life in sealed bag: 12 months at <40 °C and <90% relative humidity (RH).
- b. Environmental condition during the production: 30 °C /60% RH according to IPC/JEDEC J-STD - 033C, paragraphs 5 through 7.
- c. The time between the opening of the sealed bag and the start of the reflow process cannot exceed 168 hours if condition b) is met.
- d. Baking is required if conditions b) or c) are not met.
- e. Baking is required if the humidity indicator inside the bag indicates a RH of 10% more.
- f. If baking is required, bake modules in trays stacked no more than 10 high for 4-6 hours at 125 °C.

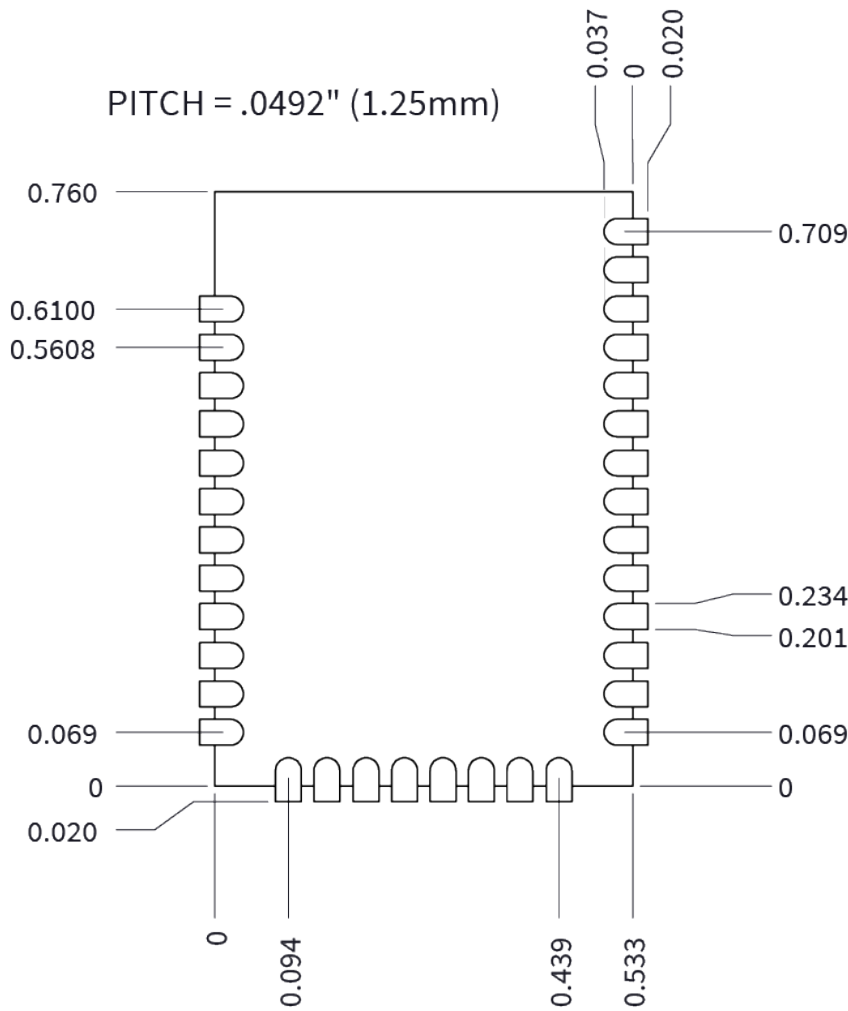
Recommended footprint

We recommend that you use the following PCB footprints for surface-mounting. The dimensions without brackets are in inches, and those in brackets are in millimeters.

XBee3 surface-mount recommended footprint



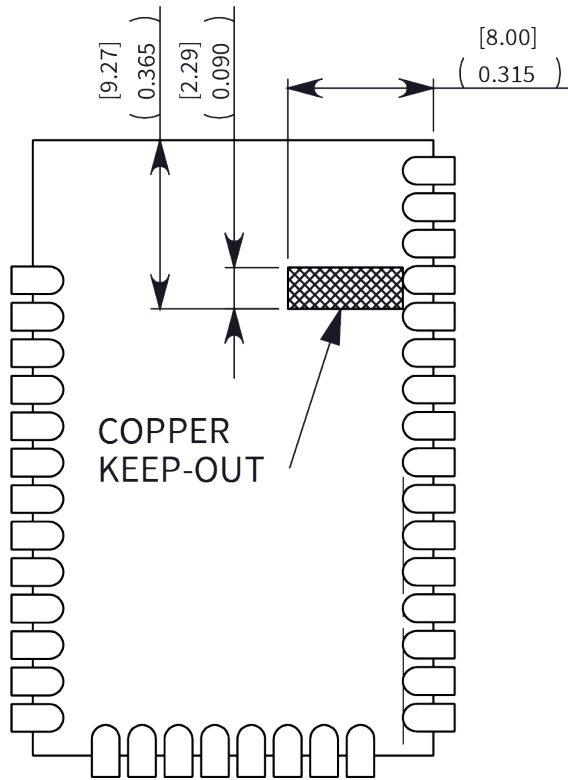
XBee3 Micro recommended footprint



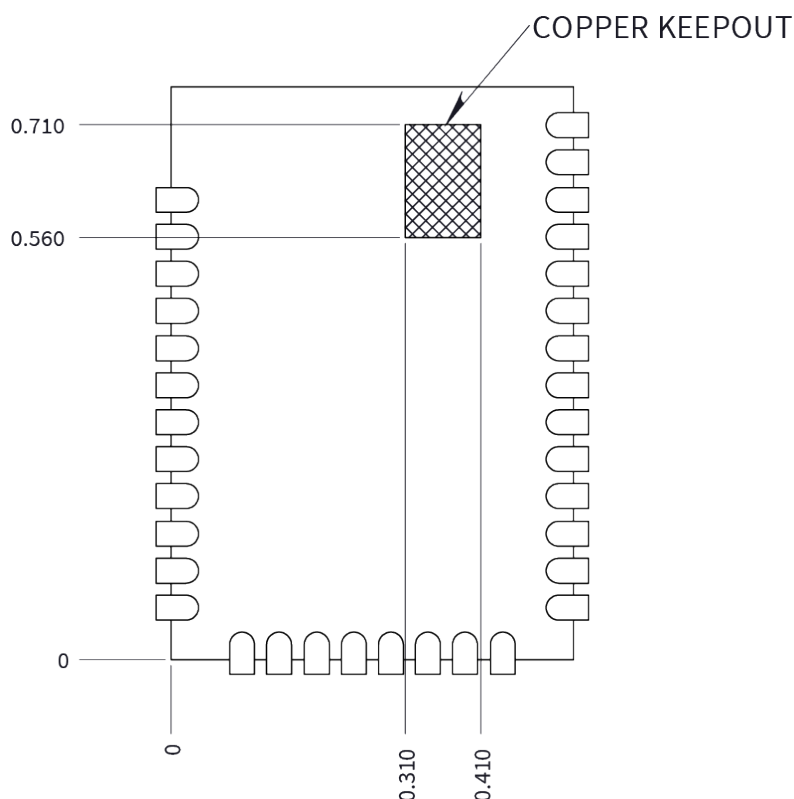
Match the solder footprint to the copper pads, but may need to be adjusted depending on the specific needs of assembly and product standards. Recommended stencil thickness is 0.15 mm/0.005". Place the component last and set the placement speed to the slowest setting.

While the underside of the device is mostly coated with solder resist, we recommended the copper layer directly below the device be left open to avoid unintended contacts. Copper or vias must not interfere with the three exposed RF test points on the bottom of the device as shown in the following diagrams. These devices have a ground plane in the middle on the back side for shielding purposes, which can be affected by copper traces directly below the device.

Copper keepout for the XBee3 surface-mount



Copper keepout for the XBee3 Micro



Flux and cleaning

Digi recommends that a “no clean” solder paste be used in assembling these devices. This eliminates the clean step and ensures unwanted residual flux is not left under the device where it is difficult to remove.

In addition the following issues can occur:

- Cleaning with liquids can result in liquid remaining under the shield or in the gap between the device and the OEM PCB. This can lead to unintended connections between pads on the device.
- The residual moisture and flux residue under the device are not easily seen during an inspection process.

Factory recommended best practice is to use a “no clean” solder paste to avoid these issues and ensure proper device operation.

Reworking

Never perform rework on the device itself. The device has been optimized to give the best possible performance, and reworking the device itself will void warranty coverage and certifications. We recognize that some customers choose to rework and void the warranty. The following information serves as a guideline in such cases to increase the chances of success during rework, though the warranty is still voided.

The device may be removed from the OEM PCB by the use of a hot air rework station, or hot plate. Be careful not to overheat the device. During rework, the device temperature may rise above its internal

solder melting point and care should be taken not to dislodge internal components from their intended positions.