

ATTACHMENT E
USER' S MANUAL

User's Guide

DMT1050U



DMT

Digital Multimedia Technology

DMT1050U - Digital Satellite Receiver

CONTENTS	Page		Page
GENERAL INFORAMTION	3	CHANNEL MANAGER	17
Main Feature of DMT1050U	3	Main Page	17
For your Safety	4	Channel Manager	18
Unpacking	4	Favorite Channel	18
General Operation of DMT1050U	4	Move Channel	19
Remote Control	5	Lock Channel	19
Front Panel	6	Rename Channel	19
Rear Panel	6	Delete Channel	20
		Sort Channel	20
INSTALLATION of DMT1050U	7	GO TO FUNCTION	21
Connecting to Antenna & TV	7	EPG (Electronic Program Guide)	22
Connecting to TV&VCR using SCART	7	TIMER	23
Connecting to TV using RCA support	8	USER'S INSTALLATION	24
Connecting to TV using S-VHS support	8	Easy Install	24
Connecting to TV using RF support	9	Antenna Set Up	24
Connecting to another SVR	9	Antenna Positioning Help	25
FIRST TIME INSTALLATON	10	Channel Search	26
Select Language	10	System Setting	27
Time Setting	11	Parent Lock	30
Select Switch	11	Factory Default	31
Select Satellite	11	RECEIVER INFORMATION	32
Select LNB	12	FRONT PANEL DISPLAY	32
Enter the LNB frequency	12	TROUBLE SHOOTING	33
Test Signal Level	12		
Confirmation Setup	13		
Channel Searching	13		
Complete Installation	13		
GENERAL VIEWING FUNCTION	14		
Select Channel	14		
Pause the Frame	15		
Previous Channel Recall	15		
TV&Radio mode	15		
TV&VCR mode	15		
Channel Information	16		
Volume&Audio Control	16		



GENERAL INFORMATION

A Digital Satellite Receiver is a convenient product that allows you to view a variety of programs provided through satellite. This user's guide covers the installation of the DSR and the necessary steps to implement various features. This also explains special features available only in this DSR in detail, which will allow you to make full of these feature.

Main Feature of DMT1050U

- High quality Digital Video & Audio
- Fully MPEG2, DVB compliant
- Provide friendly and easy-to-use menu system
- Wizard install system in the earliest of the world
- Various channel editing function
(Favorite, moving, locking, renaming, deleting and sorting)
- User programmable various Satellite & Transponder information
- Automatically search for newly added transponder
- Stores up to 2000 channels
- OSD four color changeable (Night, Wine, Ocean, Grass)
- Easy and speedy software upgrade through RS-232 port
- Plug-and-play data transfer system (DSR to DSR)
- Automatically each channel volume saving function
- Timer function, automatically turns On/Off by setting function
(daily, monthly, yearly)
- Automatic reserved channel moving system
- Provide Electronic Program Guide (EPG)
- Teletext function support
- Antenna Positioning Help feature
- Selectable Video output – CBVS, RGB
- Provide various switch types, LNB types and NTSC/PAL monitor type
- SCPC/MCPC Receivable from C/Ku Band Satellite
- Multi LNB controlled by DiSEqC 1.0 and 22KHz switching
- 256 colors On-Screen-Display



For Your Safety

- Allow clear space around the DMT1050U for sufficient ventilation
- Do not cover the DMT1050U or place it on a unit that emits heat
- Use a soft cloth and a mild solution of washing-up liquid to clean the casing
- Do not connect or modify cables when the DMT1050U is plugged in.
- Do not remove the cover
- Do not allow the unit to be exposed to hot, cold or humid conditions
- Never allow liquids, spray or other materials to come into contact with the inside of the DMT1050U
- Do not place anything on top of the DMT1050U CI. The ventilation holes will be blocked and heat air not go out

Unpacking

After purchasing the DSR, unpack it and check to make sure that all of the following items are included in the packaging.

- 1 x Remote Control Unit (RCU)
- 2 x AAA batteries
- 1 x User's Guide
- 1 x DSR

General Operation of DMT1050U

Throughout this manual you will notice that the everyday operation of your DMT1050U is based on a series of user friendly on screen display and menus. These menus will help you get the most from your DMT1050U, guiding you through installation, channel organizing, viewing and many other functions.

All function can be carried out using the buttons on the remote control, and some of the function can also be carried out using the buttons on the front panel.

If at any time when you using the menus you want to return to the normal TV mode, press the TV/AV button.

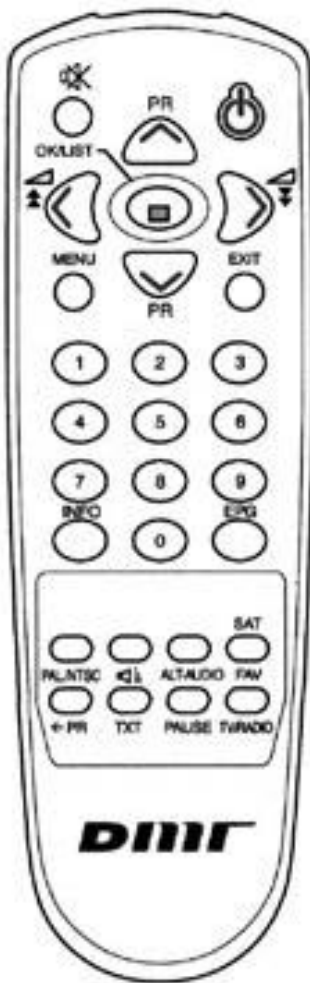
The DMT1050U is easy to use, always at your command and adaptable for future advances.

Please be aware that new software may change the functionality of the DMT1050U

Should you experience and difficulties with the operation of your DMT1050U, please consult the relevant section of this manual, including the Problem Shooting, or alternatively call your dealer or a customer service adviser.



Remote Control



Key	Function
	Turns power ON/OFF of the DSR(Green lamp lights up when ON, Red lamp lights up when OFF)
TV/RADIO	Switches between TV and Radio mode
	When watching a channel, mutes the sound.
←PR	Switches back to previous channel
INFO	Shows information of the current channel
MENU	Press this key one time to run menu on screen, and call command box
EXIT	Returns to the previous menu on the menu screen
ALT-AUDIO	When watching a channel, switches the audio languages
EPG	Calls up the EPG (Electronic Program Guide)
OK	Executes the selected item in the menu screen, or enters the desired value in any input mode.
0 - 9	Enter number of the required menu item or select a channel number to watch.
PR	When watching, change channels, or moves to the next higher or lower item in the menu.
	When watching, adjust the volume, or move to the left or right item in menu.
	Moves up / down a page in the channel list
PAUSE	Press once to pause the screen picture. Press once again, go to the normal mode
	Selects the different audio models
TXT	Switches on the Teletext mode.
PAL/NTSC	Switches to the PAL/NTSC Mode
TV/AV	Switches between TV or AV mode.
SAT	Switches channel list in Satellite
FAV	Display the favorite channel list

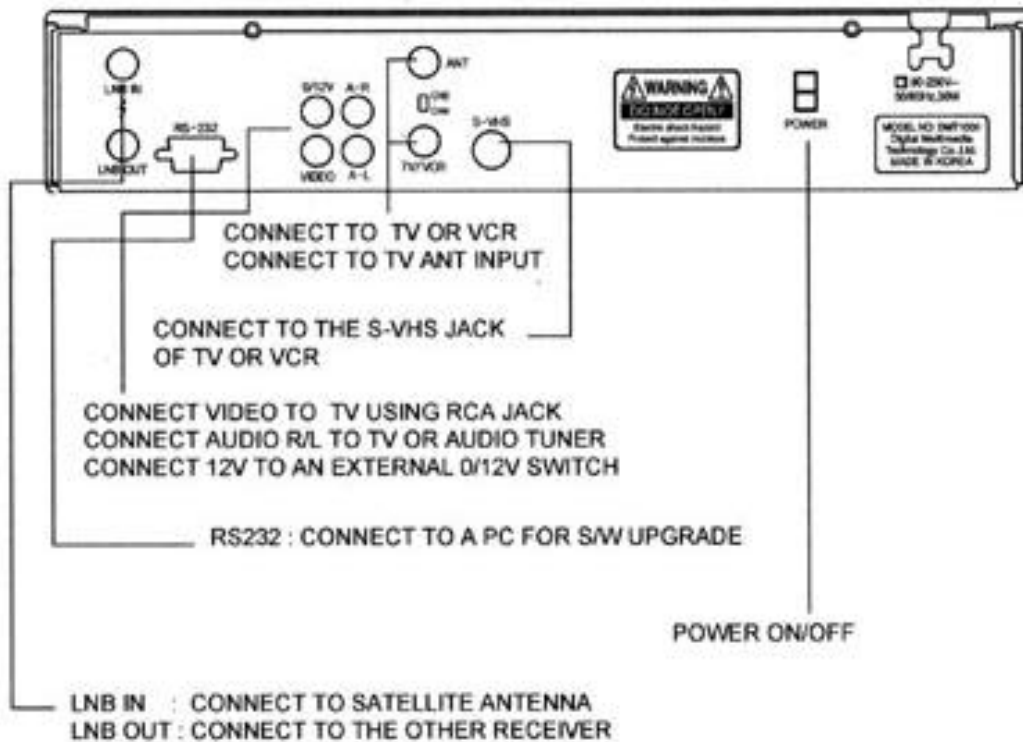


Front Panel



KEY	FUNCTION
POWER	Turns on and off the power of the receiver
CH ▲▼	When watching, changing to the previous and next channel, or in the menu

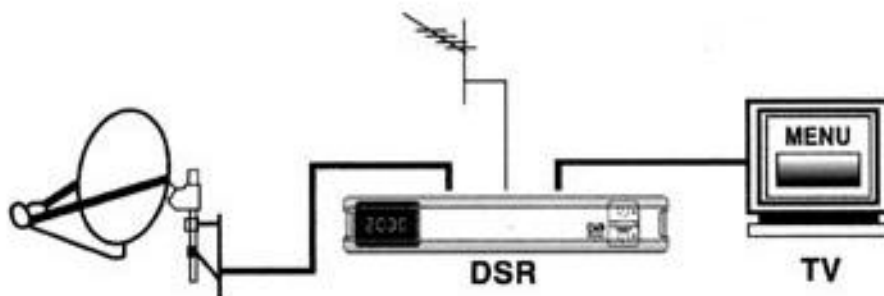
Rear Panel



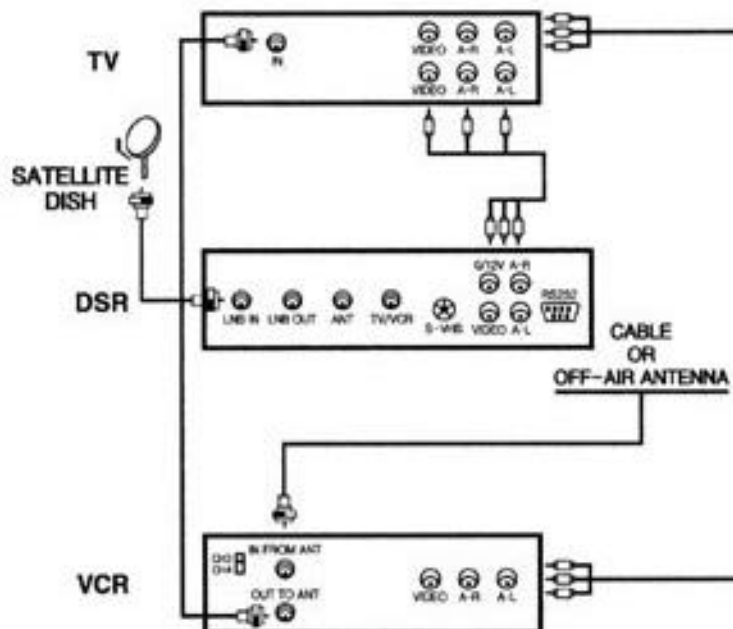
INSTALLATION OF DMT1050U

This section explains the installation of DMT1050U. Refer to the manuals supplied with the equipment for the installation of outdoor equipment such as the dish antenna. When adding new equipment, be sure to refer to the related parts of the manual for the installation.

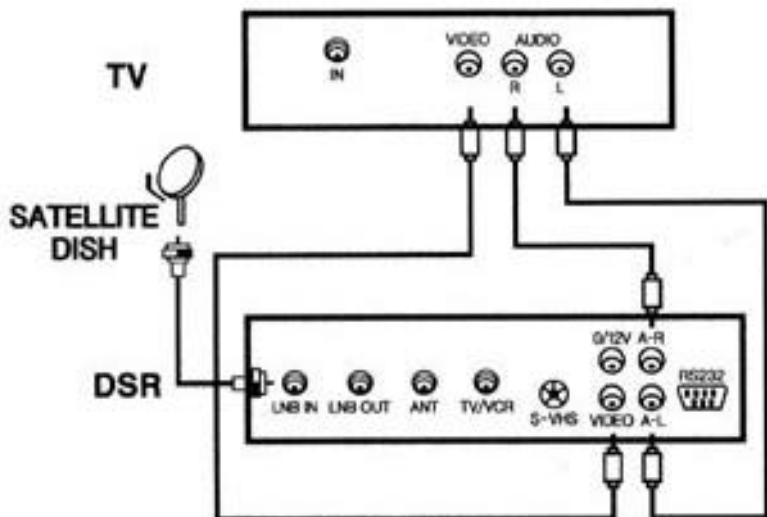
Connecting to ANTENNA & TV



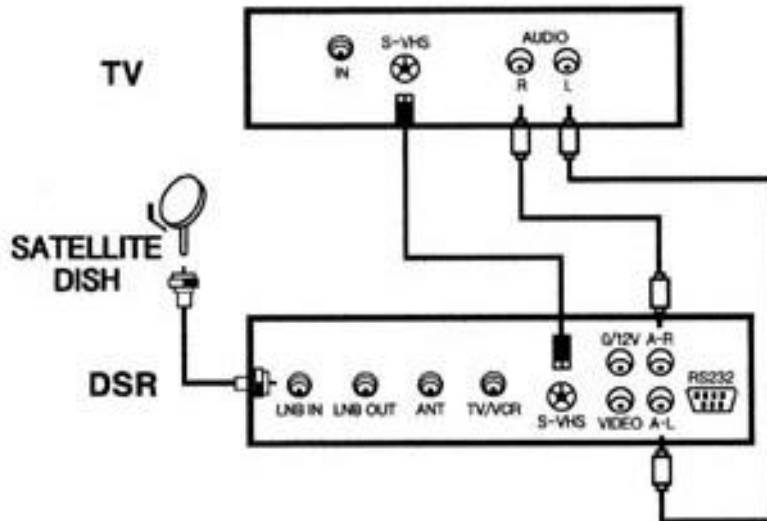
Connecting to TV&VCR using RCA support



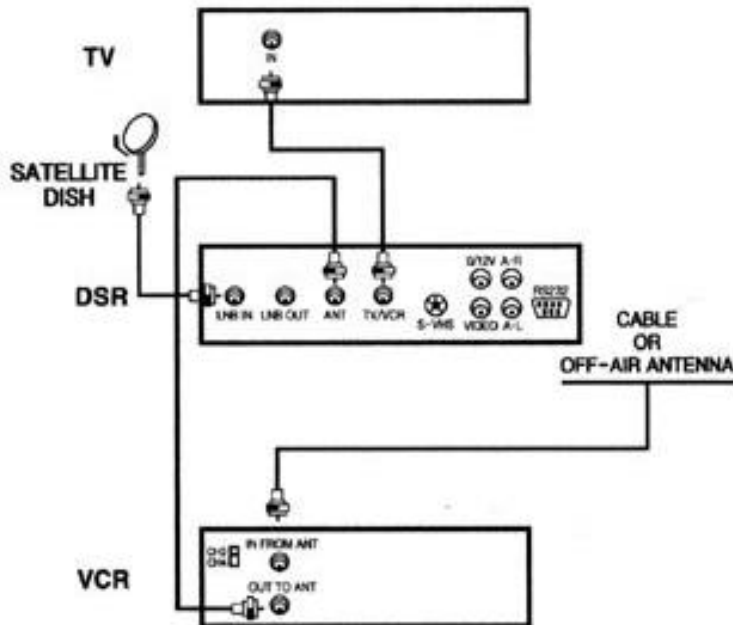
Connecting to TV using RCA support



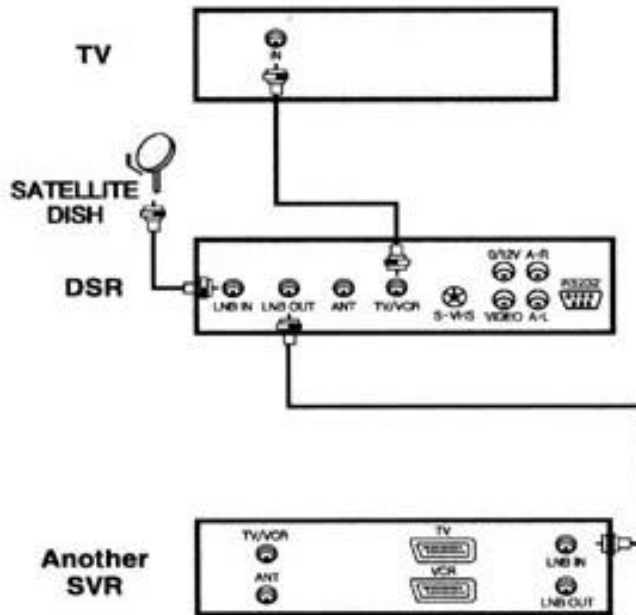
Connecting to TV using S-VHS support



Connecting to TV using RF support



Connecting to another SVR



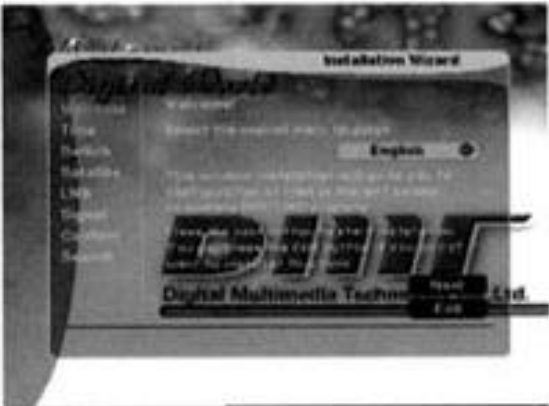
FIRST TIME INSTALLATION

Once you have correctly connected the DMT1050U, you also have to perform a "INSTALL WIZARD". During this procedure, helpful menu information is displayed.

This "INSTALL WIZARD" menu is similar to other application of MS WINDOWS 95/98 and designed for users to install without difficulties.

During the installation the **OK** button always confirms a selection within these menus. Selecting **NEXT** on screen menu and pressing **OK** button will take you to the next step in the installation process.

You can always go back to the previous menu by selecting **BACK** and pressing **OK** button. Use the **▲▼** buttons to move upwards and downwards from one line to another line. Use **◀▶** to change settings or press **OK** button then Sub-menu box will be appeared. You can also use the numeric buttons on the remote control to select a line of a menu and to enter numeric value.



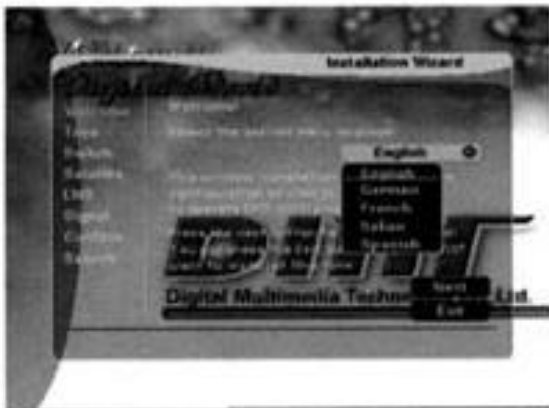
Select Language

Turn on the DMT1050U, then this picture will be displayed and this picture indicates that you have started the installation procedure.

Before start, select the desired language and this will be the main language for all of procedures. DMT1050U supports basically 5 languages (English, German, Spanish, Portuguese and Arabic)

If you want to go to next procedure after select the language, select **NEXT** and press **OK** button.

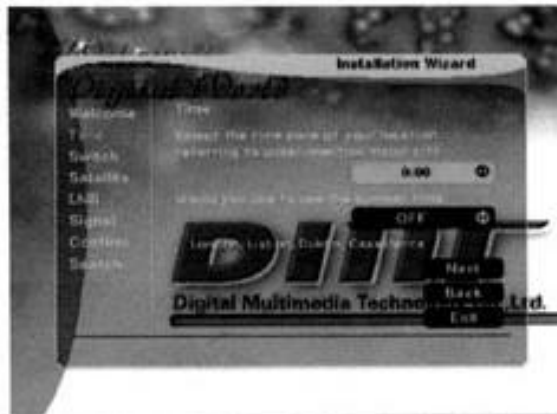
If you do not want, select **EXIT** and press **OK** button.



Time Setting

Select your local time referring to the city name displayed on the screen. Local time can be adjusted +/- 12 hours referring to UTC. So if you are in London, local time shall be 0:00.

And if you are in the summer time zone, select ON. If you completed this page, select NEXT and press OK button.



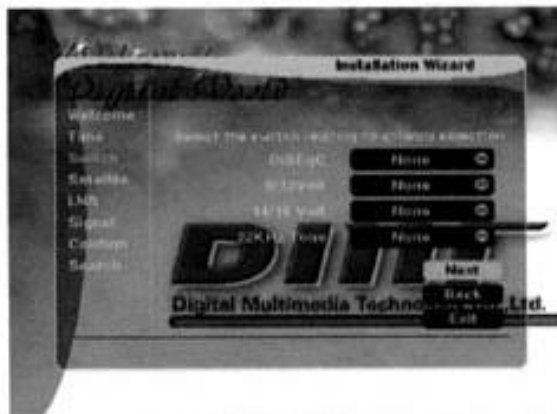
Select Switch

Select the switches with which you want to configure the antenna.

These switches are related to the antenna selection and you can select maximum 32 antennas with the combination of these switches.

For example, if you have 4 antennas, you can assign Antenna 1 for 0 volt and 14 volt, Antenna 2 for 0 volt and 18 volt, Antenna 3 for 12 volt and 14 volt and Antenna 4 for 12volt and 18volt.

If you have only one antenna, select all of the switches as to be None.



Select Satellite

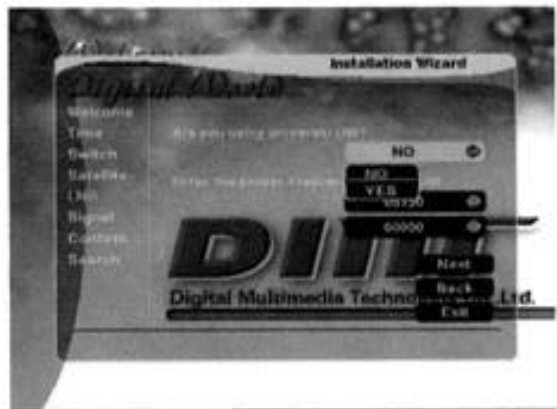
Select any one satellite name among the pre-programmed list. You have to select proper satellite considering installed antenna direction and switch selection.

Note : DMT1050U can store maximum 63 satellites



Select LNB

Select the type of your LNB. If you have Universal LNB, select YES. Otherwise select NO.

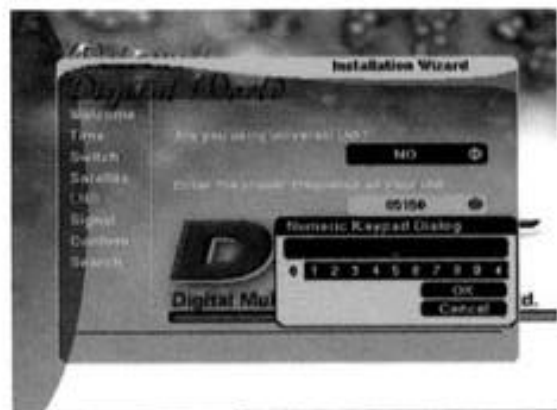


Enter the LNB frequency

Enter the proper LNB frequency referring to your LNB by pressing numeric key on the RCU. Or use KEY PAD displayed by pressing OK button.

If you have a dual LNB, enter the proper value in the both of value box. Otherwise please neglect the second frequency box.

If you completed this page, select NEXT by pressing OK key



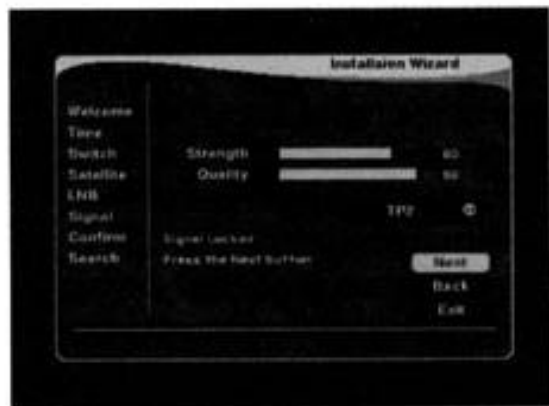
Test Signal Level

In this menu you can see the signal level for all TP in the selected Satellite.

If you entered correct value, "Signal Locked" message will be displayed and the beep sound will be heard. As the signal becomes better, the beep sound will be faster.

If "Signal unlocked" message displayed and nothing changed, please adjust your Antenna direction and check all of the value which entered in previous menus is correct or not.

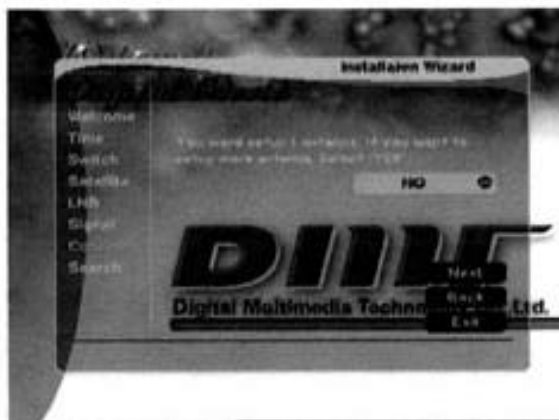
If you completed this page, select NEXT by pressing OK key



Confirmation Setup

This message shows that you have completed the setting of one antenna. Then place the cursor on **NO** and select **NEXT** by pressing **OK** key.

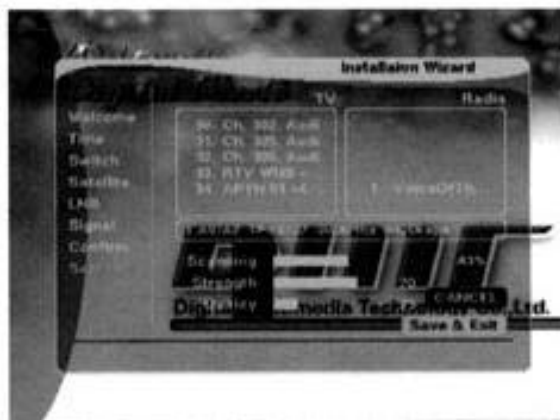
If you have another antenna which you want to configure, select **YES**, then place the cursor on the **NEXT** pressing **OK** button. Then it will bring you the Antenna Select menu.



Channel Searching

DMT1050U will automatically search the channel for TV and RADIO and during this procedure you can see the already searched channels in the Searched List Box on screen.

If completed searching channel, cursor will be placed on **COMPLETE** automatically, then press **OK** key.



Complete Installation

Now you completed the **INSTALL WIZARD**, and if you press **OK** key, **DMT1050U** shows the channel list on the right side screen.

Chose your desired channel using **PR▲▼** key on the remote control or Front panel and press **OK** key to view the channel.

Note : If you move your favorite channel, use channel list pressing **OK** button on your remote control.



GENERAL VIEWING FUNCTION

The following describes the basic functions of your DMT1050U while watching satellite TV or listening to satellite radio.

You can watch a certain "Scrambled" channel as here you have and inserted the PCMCIA module and Smartcard which are matching the scrambled channel selected.

While viewing, the current channel information will be shown on the bottom of the screen if you press INFO button on the remote control.

In addition to the normal function, there are some other useful functions which will be explained in this part of manual.

Select Channel

If you want to change channel, use **CH** \wedge **V** key on the front panel or **PR** \blacktriangledown key on the remote control. Or using the numeric key on the remote control, referring to the LED on the front panel.

In addition to the above normal function, DMT1050U provide more convenient channel change function.

While viewing, press **OK** key on the remote control or front panel. Then channel list will be displayed on the right side of the screen. If press **EXIT** key, the channel list will be disappeared.

Using **PR** \blacktriangledown or **CH** \wedge **V** key, place the cursor on your desired channel, which will be changed to yellow color. Then press **OK** key go to the selected channel.

If there are a lot of channels listed, use \blacktriangle \blacktriangledown key on the remote control, then you can move from page to page.

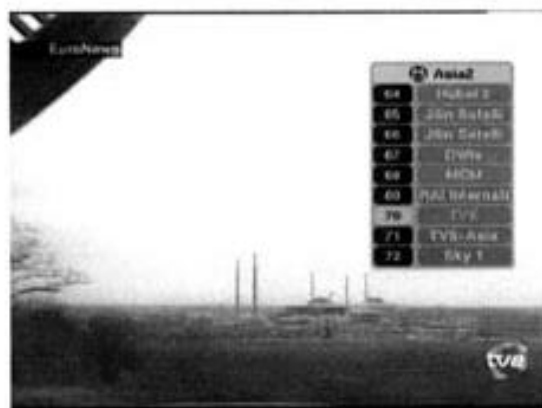
Note : DMT1050U is designed to search all of free channels in the selected Satellite. So if you install in the first time, DMT1050U show only free channel list.



DMT

Select Satellite Channel List

If you searched more than 2 satellites, you can select the channel of each satellite by pressing the **SAT KEY** in the remote control.



Pause the frame

Press **PAUSE** key on the remote control to pause the screen. To bring it back to the normal mode, press **PAUSE** key once again.

Previous channel recall

Press **←PR** key on the remote control to move the previous channel which you were watching before the current channel.

TV & Radio switching

While viewing TV channel, press **TV/RADIO** key on the remote control to move to the radio mode. Press this key once again, it will bring you back to the TV mode.



TV and VCR mode

While viewing satellite channel, press **TV/AV** key on the remote control to change the TV mode. Press this key once again, it will bring you to the VCR mode. To move to the satellite channel, press this key once again.

Note : In this case, you can see the current mode through LED display on the front panel.



Channel Information

Every time you change channels, you will receive program information for a few second.

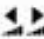
While viewing channel, you can see the current channel information anytime by pressing INFO key on the RCU.

Note : Channel information will be shown for 5 seconds.





Volume & Audio Control

1) Volume Control

To increase or decrease volume, use  key on the remote control or VOL<> on the front panel.


Note : DMT1050U has 18 steps of volume levels and this shall be controlled from the adjusted volume level of your TV.

2) Mute

To mute the sound, press  button on the remote control. To bring back the normal sound, press key on  again.



3) Audio Control

Press the  key repeatedly to select one of three possible Audio settings (Left, Right and Stereo).

The current audio condition will be displayed in the channel information

4) Language Selection

Press the ALT-AUDIO key on the RCU repeatedly to select audio-language. This is dependent on the transmission of audio signal which supports Multi-language.



DMT

CHANNEL MANAGER

DMT1050U provides the most powerful channel managing function in the world and this function allows you to have more interesting and useful operation as well as viewing channels simply.

Main Page

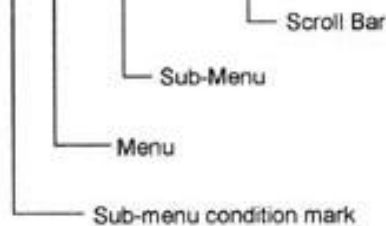
While viewing channels, press MENU key on the remote control, the Main Page box will be displayed on the Upper-Left side of the screen.

If you do not want this Main Page, press EXIT key.

Main Page consist of 6 menus as below

- Channel Manager
- Program Guide
- Timer
- User Installation
- Receiver Information.

Channel Manager and User Installation have their sub-menus. If you want to see the sub-menus, place the cursor on the desired menu and press OK button to select.



Edit TV Channel

Channel manager consists of sub menus like Edit TV channel and Edit Radio channel. Press OK key on any one desired TV channel.

Note :Since the usage of Edit Radio Channel is same as that of Edit TV channel, in this menu only Edit TV Channel is explained.



Channel Manager

In this menu you can see the channel list which DMT1050U searched in the left side and the current channel information is displayed in the right side of the screen.

Press **MENU** key on the remote control, then command menu will be displayed.

Edit TV channel has 6 commands as below;

1. Favorite channel
2. Move channel
3. Lock Channel
4. Delete channel
5. Sort channel
6. Fast edit mode

Select your desired function by pressing OK key.



Favorite Channel

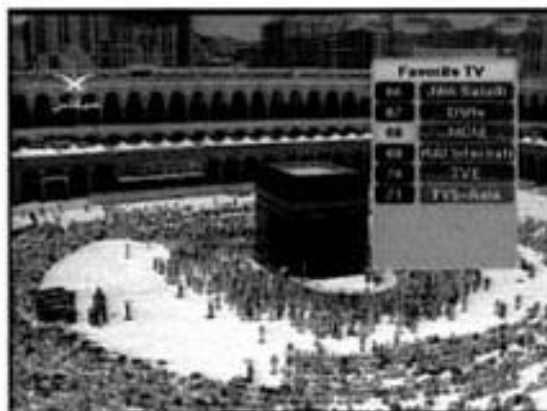
Select any one channel and then press OK key. Then **+** will be marked at the end of the channel name.

And if you want to delete the channel name in the favorite channel list, press OK key once again, then the **+** mark will be disappeared.

If you selected all of your favorite channels, please return to the Main Page. Press EXIT key to come out from the main Menu and press OK key to see the changed channel list.

Note : DMT1050U is designed to select automatically all of free channels as favorite channel. So after perform Install Wizard, all free channel is selected in your favorite channel list.

* **+** means scrambled channel.

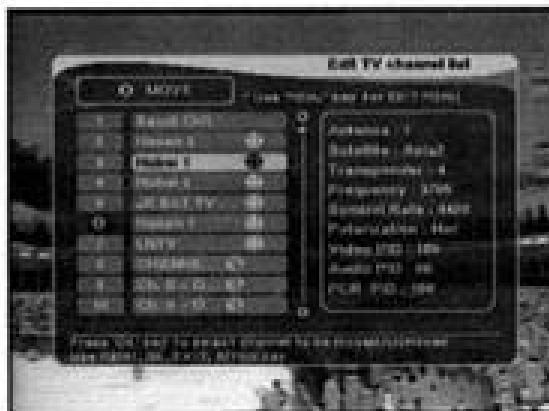


Move channel

In Main Page, press **MENU** key on the RCU, and then select **MOVE** on the commands.

MOVE function allows you to change the order of channel as you like. Select any one channel by pressing **OK** key and move the channel to the desired location by pressing **PR▲ ▼** key. Press **OK** key for reconfirmation.

And check whether the desired channel moved to the desired location or not.

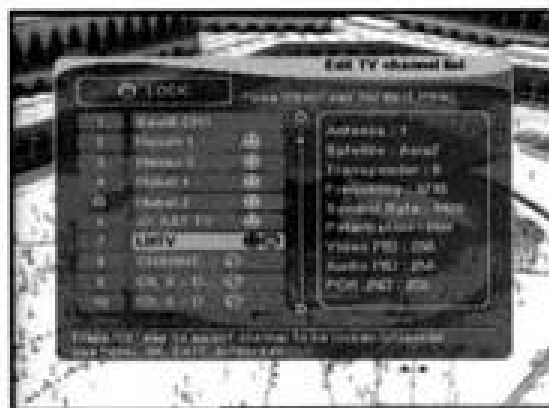


Lock Channel

In Main Page, press **MENU** key on the RCU, and then select **Lock** on the command menu.

LOCK function allows you to lock channels which you do not want others to watch. Select any one channel by pressing **PR** keys and press **OK** key. Then **LOCK** symbol will be marked at the end of the channel name.

Note : To perform this function, you should set up the Parental Lock which is explained in page 31.

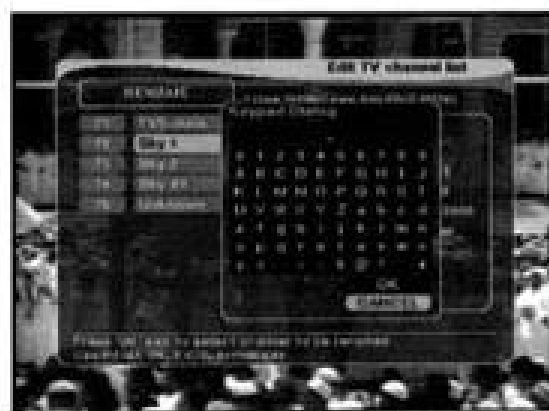


Rename Channel

In Main Page, press **MENU** key on the RCU, and then select **Rename** on the command menu.

RENAME function allows you to change the channels as you like. Select any one channel by pressing **PR** key. Press **OK** key, then, Keypad dialogue box will appear. Select characters by arrow keys and press **OK** key to be entered. After edition of channel name, go to **OK** box and press **OK** key on the RCU to confirm the change.

And check whether the channel name is changed on channel list.



Delete channel

In Main Page, press **MENU** key on the RCU, and then select Delete on the command menu.

Delete FUNCTION ALLOWS YOU TO REMOVE UNWANTED CHANNEL IN THE LIST. Select any one channel and press OK key to delete. Then, delete symbol will be marked on the number of channel. Press OK key one more time to bring it back

If you decided to delete, press EXIT key and then Message Box will be displayed. Press OK to delete.

And check whether the channel number is changed exiting on channel list.

Warning : The deleted channels can not be recovered unless you search again. Please be careful when you decide to delete channels.



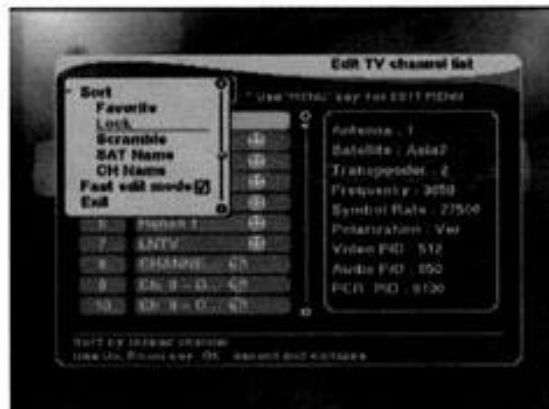
Sort Channel

In Main Page, press **MENU** key on the RCU, and then select Sort on the command menu.

This Sort menu has its sub menus and they allow you to sort the channels according to your selection of sorting method.

You can sort the channels by Favorite, Lock, Scramble, SAT name and CH name. Place the cursor on your desired one, and then press OK key.

And check whether the channels are sorted or not on the channel list.



Note : Radio Channel Manager has the same way of operation as that of TV Channel Manager.



Fast Edit mode

Fast edit mode allows you to edit channels faster than normal edit mode.

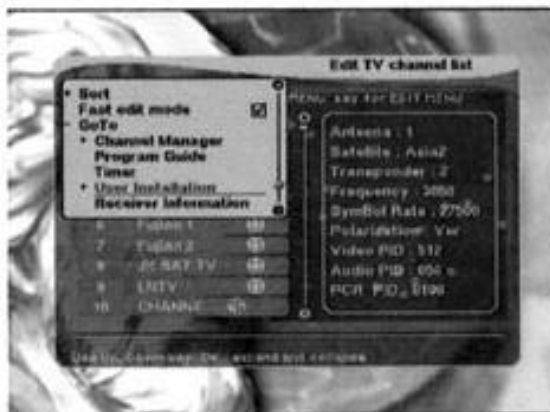
The difference between fast Edit mode and normal edit mode is showing the selected channel as the background screen. Fast edit will not show you the background.

Note : Fast edit mode is the default mode from the factory.



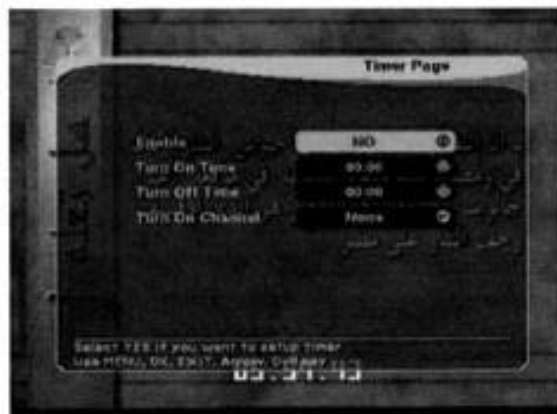
GO TO FUNCTION

GO TO function allows you to go to any level and any phase of the menu directly without following the steps taken before.



★ How to use GO TO function.

1. Press MENU button on the RCU
2. Then menu box will be displayed
3. Select Go To menu and press OK key.
4. Then sub-menu list will be displayed.
5. Select Timer and press OK key.
6. Then you can go to the Timer Page directly
7. If you want to go to any other menu in any place of the menu, please take the above steps.



ELECTRONIC PROGRAM GUIDE(EPG)

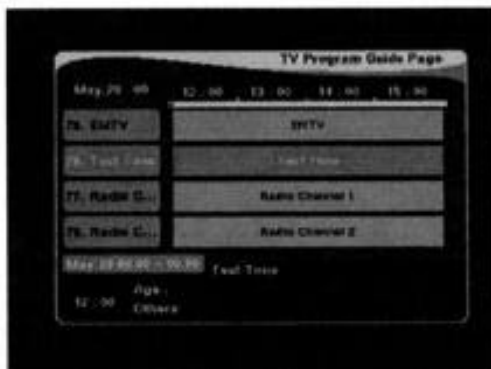
DMT1050U provides EPG function for you to receive detailed channel information like title, time and category, etc. EPG data is available only when it is transmitted from the satellite.

Press **EPG** key on your RCU or select Program Guide in the Main Page.



Then EPG table will be displayed.

You can see the channel list in the left side and Program schedule for selected channel will be displayed in the right side. Time line will show the broadcasting time of the related channels.



Select any one channel in which you have interests. Then, the program box will be changed into blue color. Press OK key to see the detailed information of the channel selected.

Note : "No data available" message will be shown if the selected channel does not provide EPG data.



TIMER

The "TIMER" function allows you program the timer with various ways. You can activate maximum 10 times with the timer function.

To activate the "Turn on time" and/or "Turn Off time", Select **YES** and enter your desired time.

Note : Receiver displays the time transmitted by satellite, therefore, sometimes when satellite is transmitting incorrect time, receiver will display incorrect time.



Easy Timer

To activate the "Turn on time" and/or "Turn Off time", select **YES** and enter your desired time.

You can select a certain channel to come up on the screen when you turn on the receiver. This is Turn On Channel.



Advanced Timer

Advanced Timer allows you to program the various timer function.

You can set the Timer by Daily, Weekly, Monthly, Yearly and one time base.

Note : Default timer from the factory is Easy Timer.



USER'S INSTALLATION

DMT1050U has Install Wizard system which allows users to set up the DMT1050U setting only minimum configuration for viewing channels.

This User's Installation is for the advanced user or installer to set up in detail or Up-grade the DigiSlim as their favorite way for advanced function.

This menu consist of 6 major sub-menus as below;

- Easy Installation
- Antenna Setup
- Channel search
- System setting
- Parental Lock
- Factory default

Easy Installation

In the case of search new Satellite or New TP easily after you had performed Install Wizard, you can use this Easy Installation menu. This menu has almost the same procedure of Install Wizard.



Antenna Setup

Antenna Setup menu allows you to set up antenna more detail than Easy Installation and Install Wizard. This menu is for advanced users, who does not want Wizard System because they have enough experience for satellite receiver or accustomed to this Menu.

Select column, which you want to set up, and enter the correct value with same way as that of Install Wizard.

For your reference, at the bottom of the screen, operation guide message will be displayed.



Antenna Setup

During your setting in this menu, you can also use Antenna Direction Help, Sat name Edit and Go To functions.

For Antenna Direction Help : refer to the for Sat Name Edit : Refer to the below for Go To : Refer to page 22.



If you want to change satellite name, press MENU key and select Sat Name Edit.

Then Keypad Dialog box will be appeared. Using arrow key on the RCU, edit the satellite name.



Antenna Direction Help

Although you entered correct value in Antenna Setup menu, if your antenna is positioned incorrectly, you could not receive signal from the Satellite.

So DMT1050U provides Antenna Positioning Help in order for you to have exact information for the pointing of your antenna.

First, select your desired Satellite name and then the location of selected satellite will be displayed. In case of the location of the satellite is changed, you can re-set up the new location.

Second, enter the value of Longitude and Latitude of your location.

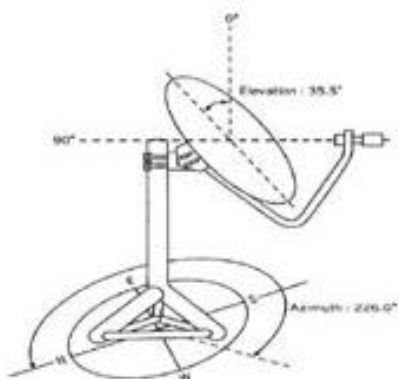


Antenna Direction Help

If you entered correct value of your position, place your cursor on Compute and press OK key.

Then DMT1050U show the calculated angles to move antenna.

Note :



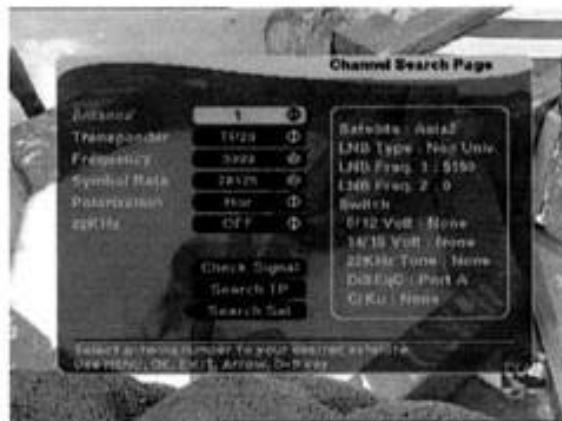
Channel Search

Channel search menu allows you to search channels of new TP or new Satellite.

DMT1050U allows you to search the channels in TP and SAT at one menu.

Follow the procedure as below

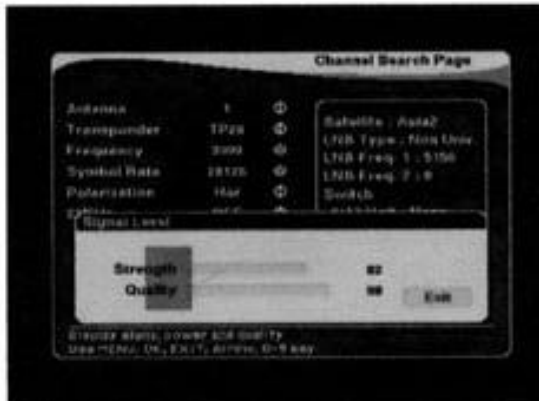
1. Select Satellite Number then you can see the information of selected satellite in the right hand side of the screen.
2. Select TP number which you want to search.
3. Enter the frequency of the selected TP.
4. Enter the symbol rate of the selected TP.
5. Select Vertical or Horizontal according to the selected TP.
6. Select ON/OFF of 22KHz switch when necessary.



Channel Search

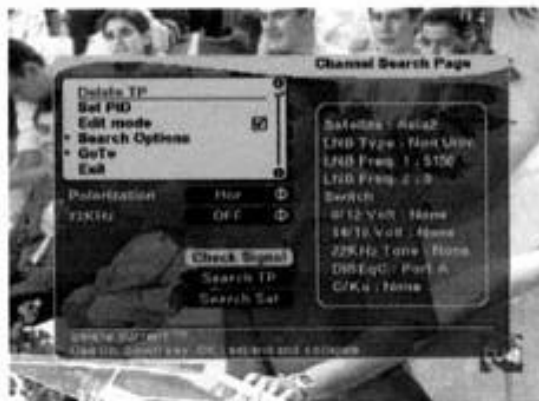
If you entered correct value, run a Signal Level test in order to check whether you correctly entered value and positioned the antenna.

If the level bar changed to yellow, select EXIT and press OK key. Now you can run a TP search or Satellite search.



If you want to delete a TP, select the TP to be deleted and press MENU button to display command box.

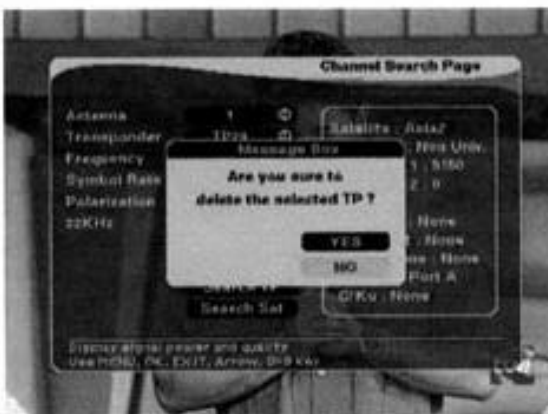
Then select Delete TP command.



Then, Message Box for reconfirmation will be displayed.

If you are sure to delete the TP, press OK key placing the cursor on Yes.

Warning : If you delete a TP, you will lose all of the channels in the deleted TP.

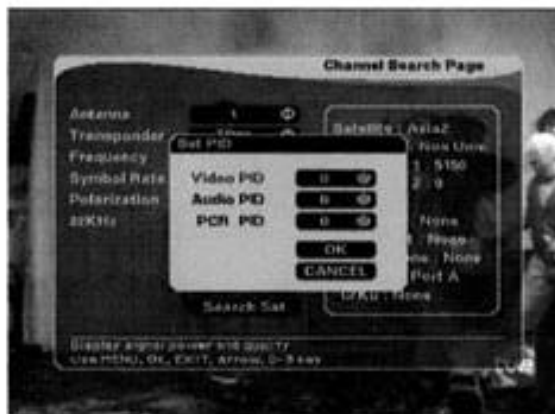


Channel Search

If you want to set up the PID (Packet), select the TP and press MENU button to display command box for Channel Search.

And select SET PID command and press OK, then Set PID menu will be displayed. Enter the correct value and select OK.

Note : You can acquire the correct PID value through the installer or dealer.

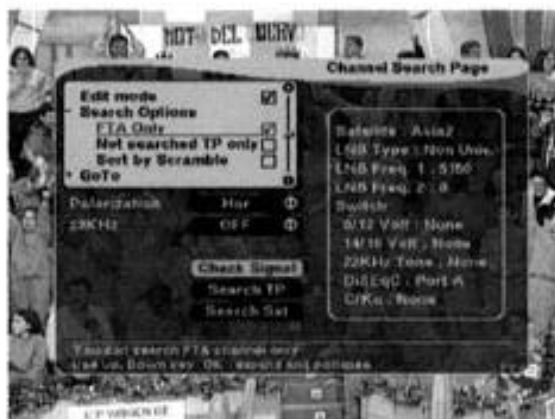


DMT1050U allows you to search channels with convenient options as below.

- FTA Only
- Not searched TP only
- Sort by Scramble

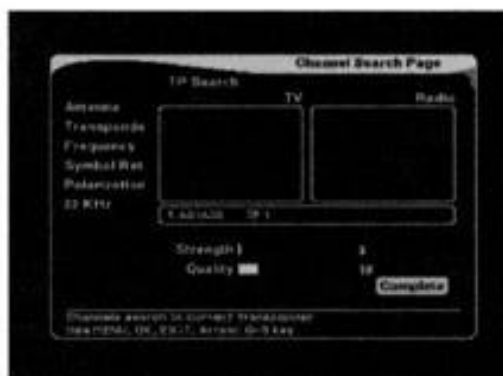
If you select Sort by Scramble, DMT1050U sort the scrambled channels automatically.

DMT1050U also allows you to search the channels in TP and in satellite at page.



If you select Not searched TP only, DMT1050U search channels in the TP, which is not searched Install Wizard procedure.

If there is no new TP or no "not searched TP", DMT1050U search engine will not show any channel list.



System Setting

System Setting menu allows you to change the principal option which is set by Install Wizard and also set other items proper to your environment.

- 1) **OSD Color** : Select your favorite color.
- 2) **OSD Language** : Select your desired language.
- 3) **Set local time** : Select your local time.
- 4) **Summer Time** : If you are in summer time, select YES.
- 5) **LNB power** : If your DMT1050U is connected to LNB, select YES. But if your DMT1050U is connected to other receiver through Loop Through support, you should check which receiver is connected directly to LNB. In case if that other receiver is directly connected to LNB, select OFF.
- 6) **Screen Format** : If your TV supports 16:9 screen format and selected channel provides 16:9 format program, select 16:9.
- 7) **Video output** : If your TV supports Scart RGB control, select RGB. Otherwise select CVBS.
- 8) **TV type** : Select the type according to your TV type.
- 9) **Volume save** : If you select ON, you can save automatically the last volume level of each channel.
- 10) **Start on Channel** : If you activate this function, you can assign the channel, which will be started, whenever you turn on the DMT1050U.
- 11) **UHF Standard** : Select UHF type (Option).
- 12) **UHF Channel** : Select your desired UHF channel for satellite mode. (Option)

Note : The above mentioned UHF options will be used only in the countries in which UHF options are used.



DMT

Parental Lock

This function allows you to lock the channel with your password in order to prevent from accessing the channel by your children or any other person.

And also you can protect your installed data and information by using Install Lock.


★ How to change Password

- 1) Enter the current password.
- 2) Select ON of Parent Lock.
- 3) Enter new password.
- 4) Confirm your new password by entering new password again.

Note : Default password is 0000.

Warning : Do not forget your password in order not to fail to view the channel.

★ How to use Parent Lock

- 1) If you activate parent lock function, select the TV Channel lock.
- 2) Select channel which you want to lock.
- 3) Press OK, then  symbol is marked.
- 4) Exit this menu and turn off the DMT1050U

Note : To activate Parent Lock, you have to turn off DMT1050U once.

And turn on the DMT1050U and select channel which is locked. Then enter your password.



DMT

Parent Lock

★ How to use Install Lock

- 1) Enter the current password.
- 2) Select ON of Install Lock.
- 3) Enter new password.
- 4) Confirm your new password by entering new password again.
- 5) Exit this menu and Turn off the DMT1050U.
- 6) Turn on DMT1050U and press MENU key on the remote control
- 7) Select any menu and press OK.
- 8) Then, enter Password box will be displayed.
- 9) Unless enter correct password, you can not run any menu.

Note : Default password is 0000

Warning : Do not forget your password in order not to fail to operate DMT1050U

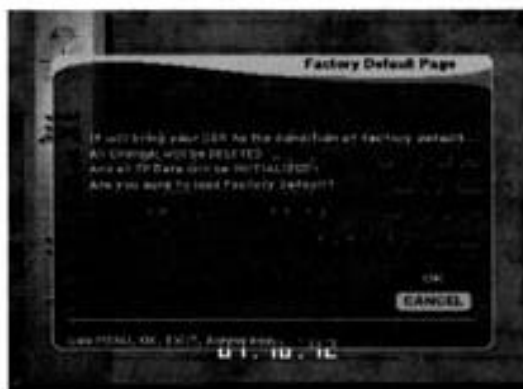


Factory Default

If you want to bring DMT1050U back to the factory default condition, select Factory Default and press OK key.

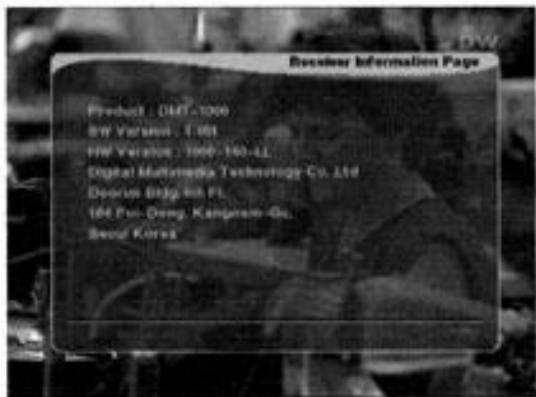
Then Warning message will be displayed. To confirm, select OK and press OK.

Warning : You will lose all of data and information which was installed.



RECEIVER INFORMATION

In the Receiver Information, you can show the information of the product, its version and contact point of supplier. If you have a problem on this products and any question, please feel free to contact the supplier which contact point is mentioned in this Receiver Information.



FRONT PANEL DISPLAY



: UP LOAD PROCEDURE



: TCV MODE



: DOWN LOAD PROCEDURE



: SYSTEM WAITING



: ERROR IN DATA TRANSMITTING



: FLASH ROM ERROR



: TV MODE



: SYSTEM BOOTING



TROUBLE SHOOTING

Problem	Possible causes	What to do
The display on the front panel does not light up.	Main cable is not connected.	Check that the main cable is plugged into the power socket.
No sound or picture, but the front panel shows red light.	The DMT1050U is in standby mode.	Press the standby button.
No sound or picture.	The satellite dish is not pointing at the satellite.	Adjust the dish. Check the signal level in the Antenna Setup menu.
	No signal or weak signal.	Check the cable connections, LNB and other equipment connected between the LNB and the receiver, or adjust the dish.
Bad picture / blocking error.	The satellite dish is not pointing at the satellite.	Adjust the dish.
	Signal is too strong.	Connect a signal attenuator to the LNB input.
	Satellite dish is too small.	Change to a larger dish.
	LNB noise factor too high.	Change to an LNB with lower noise factor.
	The LNB is faulty.	Change the LNB.



TROUBLE SHOOTING

Problem	Possible causes	What to do
<p>No Welcome Menu on the screen after you switched on the DMT1050U for the first time.</p>	<p>The system is connected by RCA leads and TV is not in AV/EXT mode.</p>	<p>If the system is connected by RCA leads, switch the TV to the appropriate AV input.</p>
	<p>The system is connected by RF leads.</p>	<p>Check the UHF channel fixed in your system and tune the UHF channel properly.</p>
<p>There is interference on your digital satellite channels, an existing terrestrial channel or video signal.</p>	<p>The system is connected by RF leads and the output channel of the DMT1050U interferes with an existing terrestrial channels or Video signal.</p>	<p>Change the DMT1050U output channel to a more suitable channel, or connect the system by RCA leads.</p>
<p>The remote control is not working.</p>	<p>Battery exhausted.</p>	<p>Change the batteries.</p>
	<p>Remote control is incorrectly aimed.</p>	<p>Aim remote control at DMT1050U, or check that nothing blocks the front panel.</p>

Note : If you have tried all of the actions suggested above, without solving the problem, please contact your dealer or service provider.

