

Contents

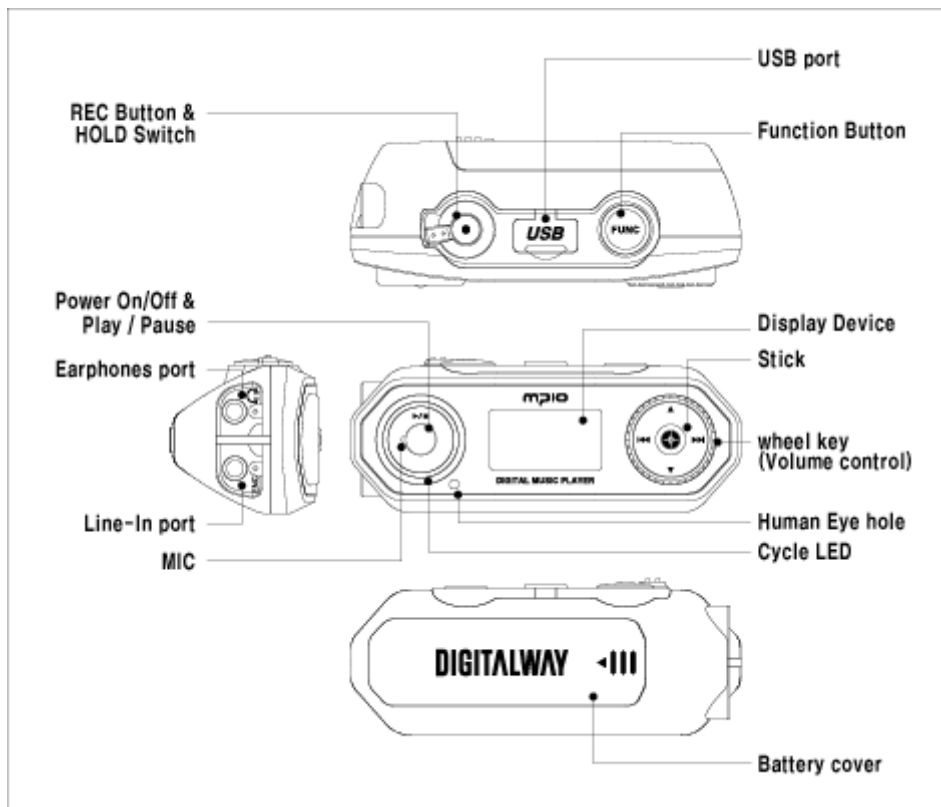
- . Technical Specifications
- . Control's Overview
- . Listening to Music
- . Listening to FM Radio
- . Recording

Technical Specifications

Dimensions		31(W) x 82(H) x 28.5(D)/mm
Weights		
Display Device		4-line2 Areas Color OLED (Orange & Blue)
Memory		256MB, 512MB, 1GB
Decoding		MP3, WMA
Encoding		MP3
Audio	Frequency Range	20Hz ~ 20KHz
	S/N ratio	90dB
	THD	0.1
	Out Power	18mW/Channel (EU: 6mW/Channel)
FM	Frequency Band	76 ~ 108MHz
	S/N ratio	50dB
	Preset Station	20
Languages	Menu	English
	File Information	55 languages
PC Interface	PC Interface	USB 2.0(Compatible with USB 1.1)
	File Transfer Speed	Approx. 40Mbps
	Supported OS	Windows: 98/SE/ME/2000/XP Macintosh: Mac OS Version 9.2 and higher
Battery	Type	AA × 1
	Playing Time	Approx. 45 hours
Operating Temperature		0°C ~ 40°C

- . Actual usable capacity can be changed via the logic file system regardless of the physical capacity of FG100.
- . The warranty does not cover PC connections with the use of extended cords like the USB hub, etc.
- . Data transfer rate may vary depending on the computer systems.
- . Playing time may vary depending on the usage, configuration and condition.

Control's Overview



Listening to Music

Step 1. Driver Installation

It isn't needed to install driver with windows me/2000/XP.

The software should be installed before connect player and computer.

1. Insert the Install CD into the CD-ROM driver.
: The Install Menu Screen will display automatically.
2. Click on the Driver in install Menu.

Step 2. Transfer Music

1. Turn the player on by pressing ►/■ button for long.
2. When you connect your player and PC, the PC recognizes it as a removable disk that you can use to transport music files. This means you can drag and drop files using Microsoft Windows Explorer or save a file by selecting the player.
3. Once you're finished transferring files, be sure to Disconnect the USB Cable from the player as described in the next section.

Step 3. Disconnect the Player and PC

It is important to follow this procedure to disconnect the USB cable from your player and PC.

If you do not, you risk losing files as they are transferring to your player.

1. Click the **USB icon** on the Windows taskbar usually located at the bottom right of the Desktop.

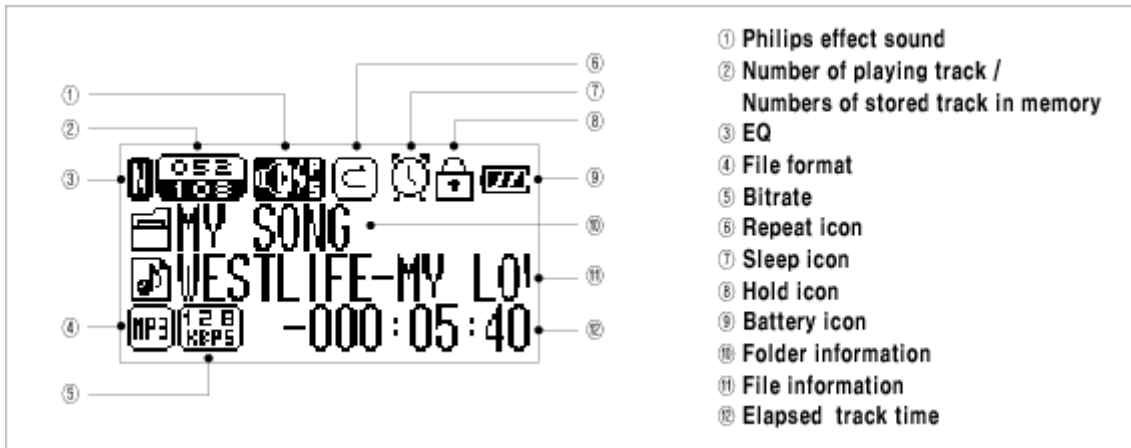


2. From the popup menu, select the **Stop** command.
3. After a notification message displays, you may disconnect the cable from the player.

Step 4. Listening to Music

- . Power On/Off: Pressing ►/■ button for long.
- . Playback/Pause: Pressing ►/■ button.

※ Information for Playback Mode



Selecting the previous/next track & Forward/Rewind function

In case of pause status:

If you push the stick button to right or left, player plays the next track or previous track.

In case of during playback:

If you push the stick button to right or left, player performs the forward or rewind function.

Volume control

Turn the Wheel key to down or up (Volume Level: 0 ~30).

Down: To increase volume

UP: To decrease volume

Navigation

1. Press the stick button during playback.



2. Select the music file by push the stick button.

3. Press the ►/■ button to play music.

※ Enter the Folder & Escape the Folder

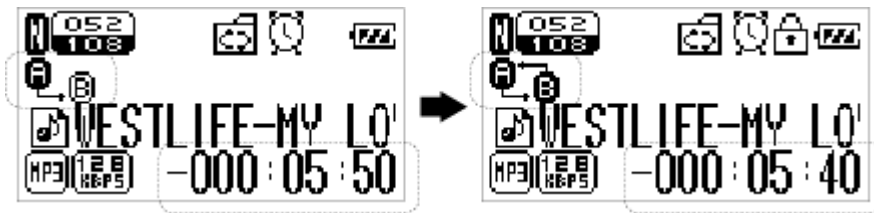
To move to the sub-folder, press the stick button.

To move to the upper folder, press the FUNC button.

Repeat Segmentation

1. Press the REC button at the start point.

2. Press the REC button again at the end point.



3. If you want to cancel this function, press the REC button again.

Menu Structure for Playback Mode

Mode	Select the Main Mode. 1. Playback 2. Recording 3. FM Tuner
EQ	Select the EQ by music genre 1. Normal 2. Pop 3. Rock 4. Jazz 5. Classic 6. Vocal 7. User 8. Reset
Sound Effect	Select the sound effect. 1. Off 2. Pure Studio 3. Concert 4. Groove 5. Dynamic Bass
Repeat	Select the repeat order. 1. Normal 2. Repeat One 3. Repeat All 4. Random 5. Directory Normal 6. Directory All 7. Directory Random
Erase	Delete the file. 1. Erase File 2. Erase All

Language	<p>Select the language to display file Information (or ID3 Tag) on the display device.</p> <p>A: Afrikaans, Albania, Arabic, Azeri</p> <p>B: Basque, Byelorussian, Bulgarian</p> <p>C: Catalan, Chinese(Simple), Chinese(Trandition), Croatian, Czech</p> <p>D: Danish, Dutch</p> <p>E: English, Estonian</p> <p>F: Faeroese, Farsi, Finnish, French</p> <p>G: Galician, German, Greek</p> <p>H: Hebrew, Hungarian</p> <p>I: Icelandic, Indonesian, Italian</p> <p>J: Japanese</p> <p>K: Kazakh, Korean, Kyrgyz</p> <p>L: Latvian, Lithuanian</p> <p>M: Macedonian, Malay, Mongolian</p> <p>N: Norwegian</p> <p>P: Polish, Portuguese</p> <p>R: Romanian, Russian</p> <p>S: Serbian, Slovak, Slovenian, Spanish, Swahili, Swedish</p> <p>T: Tatar, Thai, Turkish</p> <p>U: Ukrainian, Urdu, Uzbek</p> <p>V: Vietnamese</p>	
Display	1. Human Eye	<p>Control automatically contrast of OLED by outside brightness.</p> <p>1. On 2. Off</p>
	2. File Info	<p>Select the file information to display.</p> <p>1. Tag Info 2. File Name</p>
	3. Scroll Width	<p>Control the scroll speed of file information.</p> <p>2 ~ 16(Default) ~ 128</p>
	4. Time Info	<p>Select the display for elapsed track time.</p> <p>1. Discount 2. Count</p>
	5. Cycle LED	<p>Select the status of LED.</p> <p>1. On 2. Off</p>
System	1. Auto Play	<p>After turning up the power, control the auto play of music.</p> <p>1. Off 2. On</p>

	2. Resume	Remembers and plays the part played right before the power was turned off. 1. Initial 2. Stopped
	3. Sleep	You can power off the device at the reserved time. 0(Default) ~ 60min
	4. Auto Power Off	Set the function of Auto Power off when no button is pressed for a certain time in the pause state. 3(Default) ~ 30min
	5. Fade	When activated, volume increases gradually at playback to prevent sudden loudness. 1. Off 2. On
	6. Information	Display the Firmware Version, Internal Total/Free Memory, External Total/Free Memory information.

Change the Setup Status of the REPEAT Menu

1. Enter the menu by pressing the stick button for long.



2. Select the system menu by pushing the stick button and enter the fade menu by pressing the stick button.



3. Move to the ON using the stick button. Save the setup status by pressing the stick button.



4. Move to the Playback pressing the FUNC button.

Listening to the FM Radio

Move to FM Radio Mode

1. Move to Menu by pressing the stick button. And press the stick button again.



2. Select the FM Turner Mode, and press the stick button.



Tip

When you press the FUNC button for long in playback mode, move to FM Radio Mode

Channel Control

1. Push the stick button to ◀◀ or ▶▶ direction.
2. If you push and hold the stick button to ◀◀ or ▶▶ direction, player performs the auto scan function.



Save Channel

1. Select the channel that you want to save it by using the stick button to ◀◀ or ▶▶ direction.
2. Move to menu by pressing the stick button function button.



3. Select the Save Channel, press the stick button.



3. Select the station number that you want to save it by using the stick button, press the stick button.

Tip Channel Mode & Station Mode

Channel Mode: Search the Channel by using the stick button.

Station Mode: Move between the Stations saved.



※ Move between channel and station mode by pressing the FUNC button.

FM Recording: Record contents that radio reception.

1. Press the REC button for long.



2. If you want to pause, press the REC button.
3. If you want to keep record, press it again.
4. Press the stick button for long to stop record
Save the FM radio record file in the RECORD folder.

Menu Structure for Playback Mode

Mode	Select the main mode. 1. Playback 2. Recording 3. FM Tuner
Save Channel	You can save the Channel (Frequency) while receiving it. STN1 ~ STN20
FM Band	Select the FM Frequency range. 1. US/EU/KR/CN (87.5 ~ 108MHz) 2. Japan (76 ~ 92MHz) 3. World Wide (76 ~ 108MHz)

Auto Preset	You can save up maximum 20 stations searched from the Frequency Range in disregard of the existing Station. 1. No 2. Yes	
Seek Step	Select the unit of frequency switch in the Channel Search Mode using the stick button. 1. 100kHz 2. 50kHz	
FM Recording	1. Quality	Sets the quality of FM recording sound. Sample Rate: 32kHz, 44.1kHz Bit Rate: In case of 32kHz: 48Kbps ~ 320Kbps In case of 44.1kHz: 48Kbps ~ 128Kbps
	2. Record Gain	Controls the recording level. 1. Low 2. Middle 3. High
Display	1. Human Eye	Control automatically contrast of OLED by outside brightness. 1. On 2. Off
	2. Cycle LED	Select the status of LED. 1. On 2. Off
System	1. Sleep	You can power off the device at the reserved time. 0(Default) ~ 60min
	2. Information	Display the Firmware Version, Internal Total/Free Memory, External Total/Free Memory information.

Recording

Voice Recording

1. Move to menu by pressing the stick button. And press the stick button again.



2. Select the recording mode. Press the stick button in recording Mode.



3. Press the REC button for long.



4. If you want to pause, press the REC button.
If you want to keep record, press it again.
5. Press the stick button for long, record stop.
Save the voice record file in the RECORD folder.

Tip Voice Recording in Playback Mode.

If you want to voice recording in playback mode, press the Record button for long in the pause state of playback mode.

Direct Encoding

1. Connect with stereo cable between line-in jack of player and line-out jack of the audio source.



2. Keep the pause status of audio source.

3. Move to menu in recording mode by pressing the stick button.



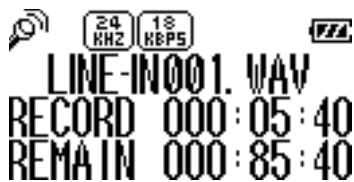
4. Select the direct encoding in REC OPT menu by pressing the stick button.



5. Play the audio source.

Volume of Encoding file is affected the audio source.

6. Press the REC button for long.



If you want to pause, press the function button.

If you want to keep encoding, press it again.

7. Press the stick button for long to stop encoding.

Save the encoding file in the ENCODE folder.

Menu Structure of Recording Mode

Mode	Select the main mode. 1. Playback 2. Recording 3. FM Tuner
Repeat	Select the repeat order. 1. Normal 2. Repeat One 3. Repeat All 4. Random
REC OPT	Select the option of recording mode. 1. Voice Recording 2. Direct Encoding

Voice Recording	1. Quality	Sets the quality of voice recording. Sample Rate: 32kHz, 44.1kHz Bit Rate: In case of 32kHz: 48Kbps ~ 320Kbps In case of 44.1kHz: 48Kbps ~ 128Kbps
	2. Record Gain	Controls the recording level. 1. Low 2. Middle 3. High
	3. VOR	VOR (Voice Operated Recording) function: Saves memory size and prevent unnecessary recording by recording only when the sound is detected. The VOR function is supported in voice recording mode only. The VOR function switches to 'off' whenever the power is turned off. 1. Off 2. Library 3. Office 4. Park
	4. AGC	AGC(Automatic Gain Control) : Automatic adjustment of amplification level for input signal to be target level. The AGC function switches to 'off' whenever the power is turned off. 1. Off 2. On
Direct Encoding	Sets the quality of direct encoding. Sample Rate: 32kHz, 44.1kHz Bit Rate: In case of 32kHz: 48Kbps ~ 320Kbps In case of 44.1kHz: 48Kbps ~ 128Kbps	
Display	1. Human Eye	Control automatically contrast of OLED by outside brightness. 1. On 2. Off
	2. Time Info	Select the display for elapsed track time. 1. Discount 2. Count
	3. Cycle LED	Select the status of LED. 1. On 2. Off
System	1. Sleep	You can power off the device at the reserved time. 0(Default) ~ 60min

	2. Auto Power Off	Set the function of Auto Power off when no button is pressed for a certain time in the pause state. 3(Default) ~ 30min
	3. Fade	When activated, volume increases gradually at playback to prevent sudden loudness. 1. Off 2. On
	4. Information	Display the Firmware Version, Internal Total/Free Memory, External Total/Free Memory information.

Note:

This equipment has been tested and found to comply with the limits for a class B digital device, pursuant to Part 15 of the FCC Rules.

These limits are designed to provide reasonable protection against harmful interference in a residential installation. This equipment generates, uses and can radiate radio frequency energy and if not installed and used in accordance with the instructions, may cause harmful interference to radio communications. However, there is no guarantee that interference will not occur in a particular installation. If this equipment does cause harmful interference to radio or television reception, which can be determined by turning the equipment off and on, the user is encouraged to try to correct the interference by one or more of the following measures:

- Reorient or relocate the receiving antenna
- Increase the separation between the equipment and receiver
- Connect the equipment into an outlet on a circuit different from that to which the receiver is connected
- Consult the dealer or an experienced radio/TV technician for help.

This device complies with Part 15 of the FCC Rules. Operation is subject to the following two conditions: (1) this device may not cause harmful interference, and (2) this device must accept any interference received, including interference that may cause undesired operation.

****CAUTION: Changes or modifications not expressly approved by the party responsible for compliance could void the user's authority to operate the equipment.**