

## Installing the Transceiver

Transceiver must be installed before the heater is secured to a wall.

1. Using a pair of 'cutter' pliers cut the zip-tie to release the transceiver cable.

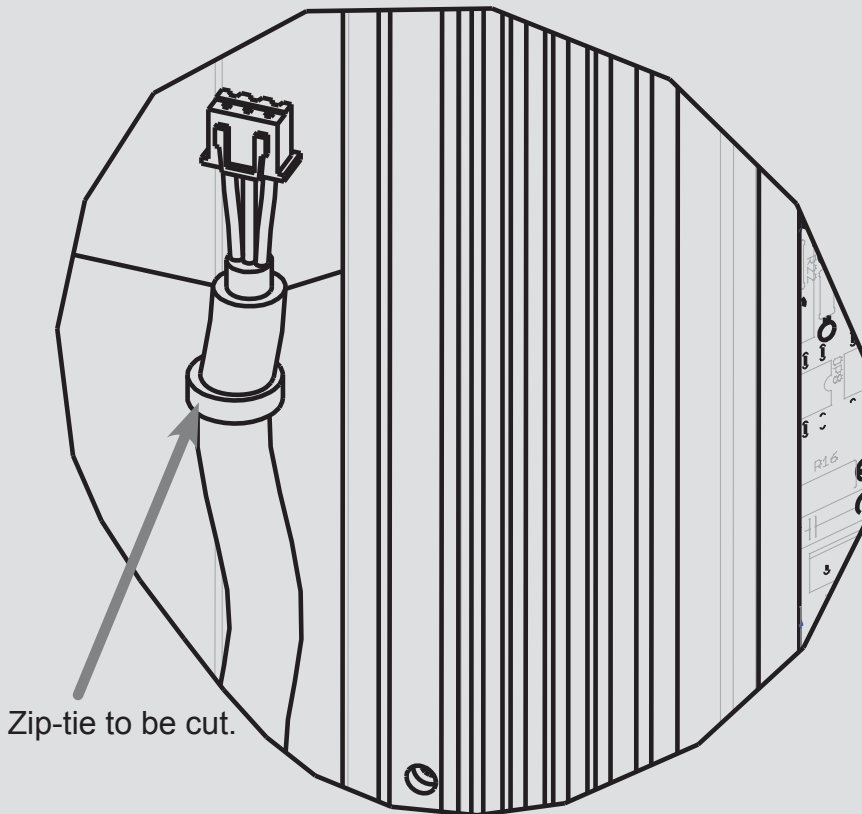


Fig. 1

2. Re-route the transceiver cable as shown by the arrow down towards the rectangular hole in the base of the heater. Making sure that the transceiver cable is on the outside of all other cables.

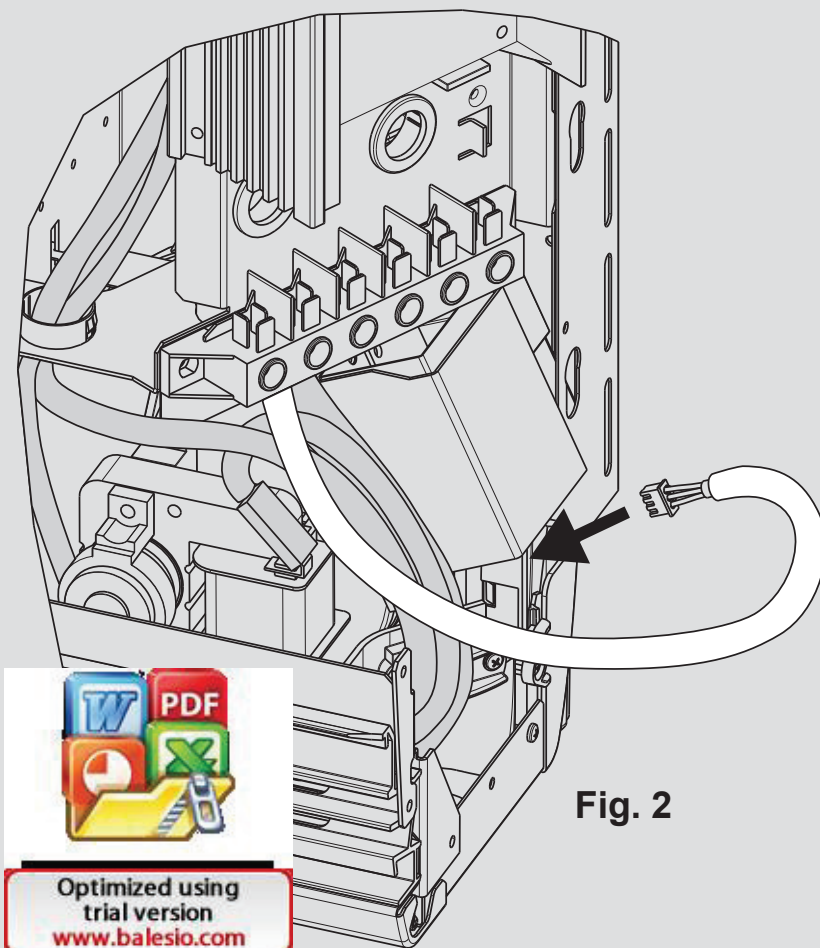
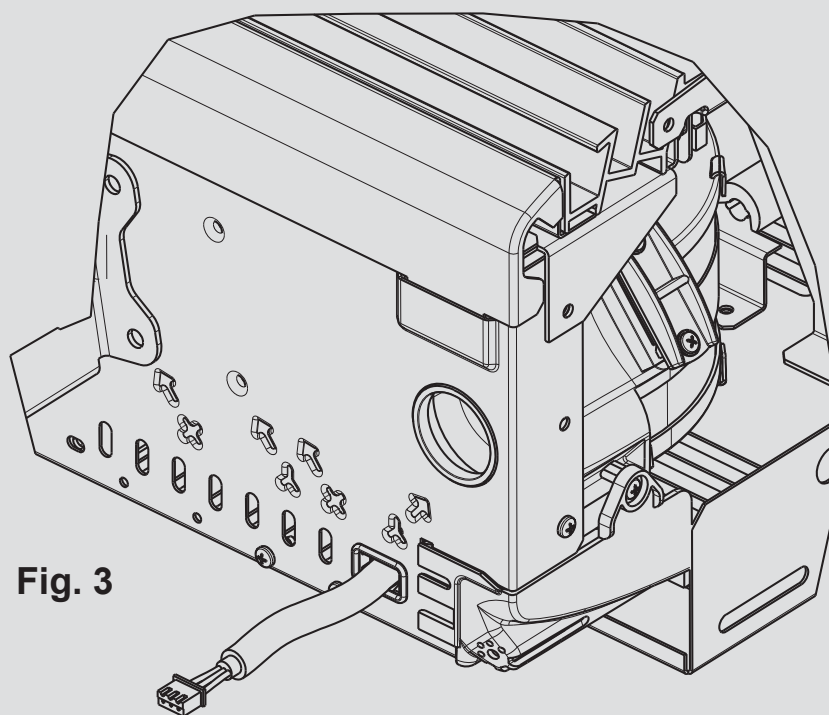


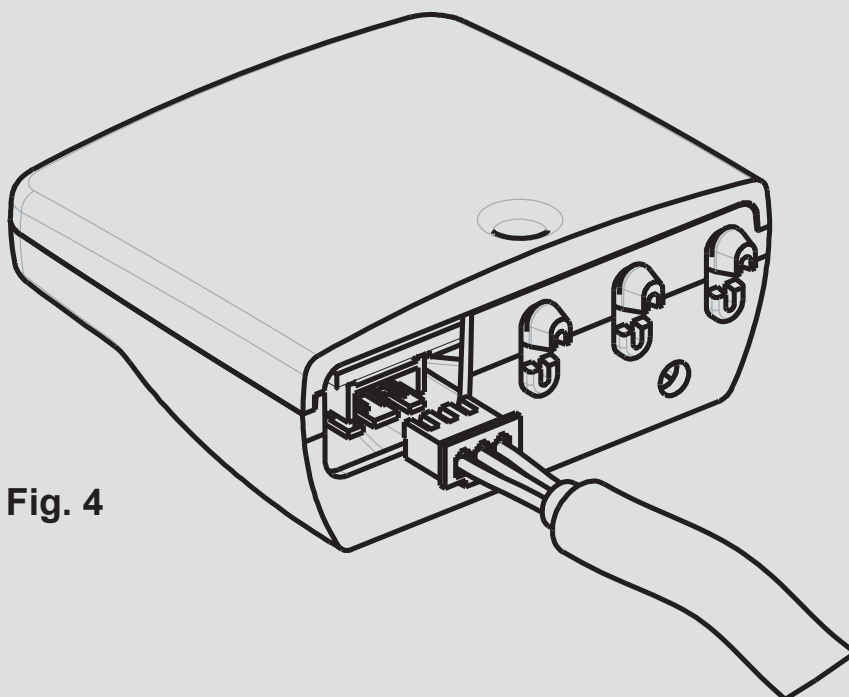
Fig. 2

3. Pull the transceiver cable through the rectangular hole in the base of the heater.



**Fig. 3**

4. Plug the transceiver cable into the socket of the transceiver housing.

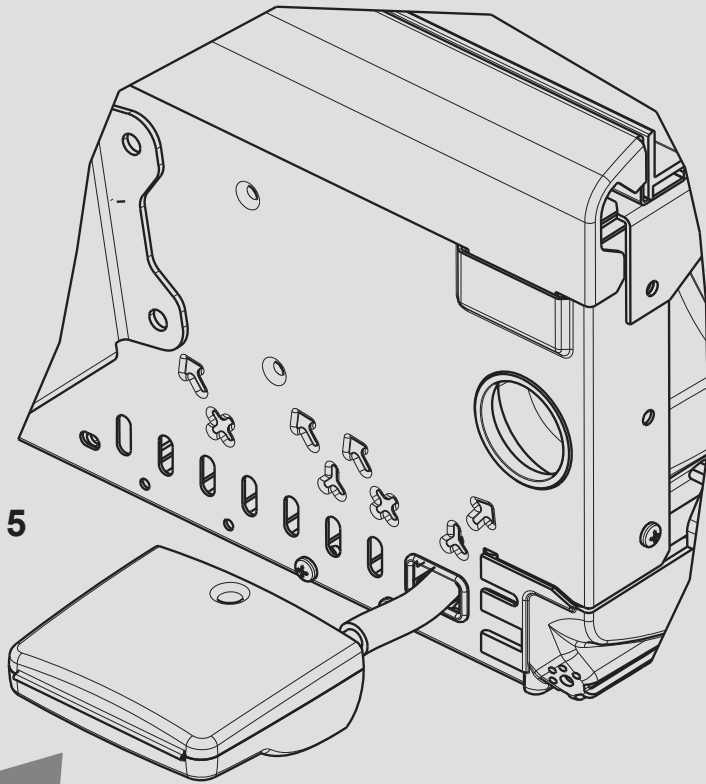


**Fig. 4**

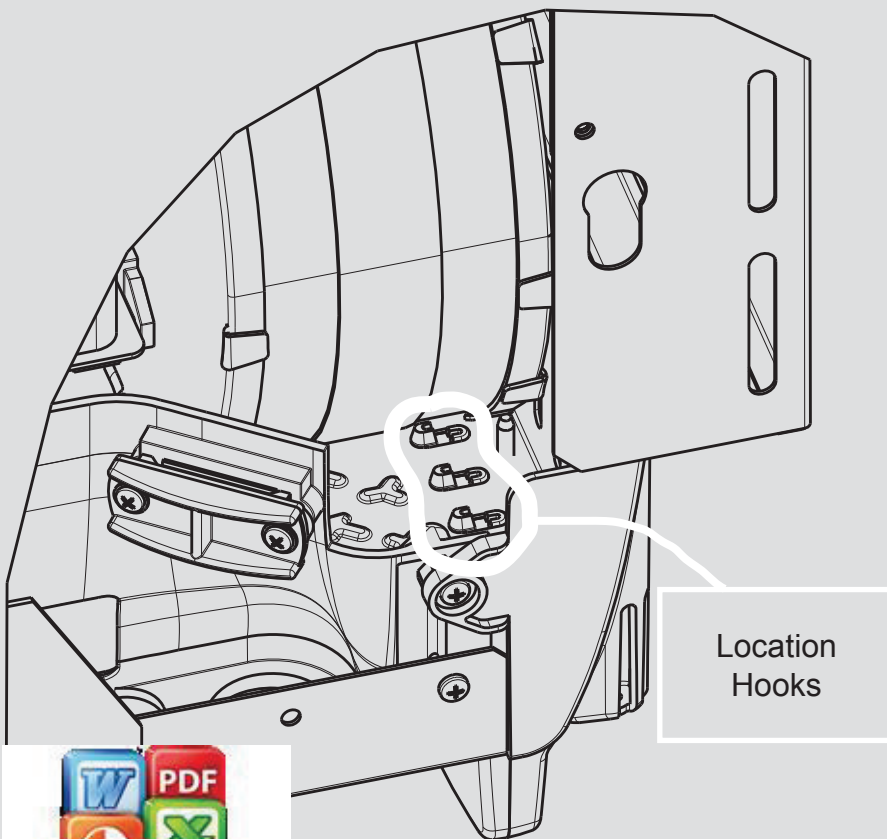


Optimized using  
trial version  
[www.balesio.com](http://www.balesio.com)

Fig. 5



5. Hook the transceiver housing through the oval shaped slots in the base of the heater.



Location Hooks

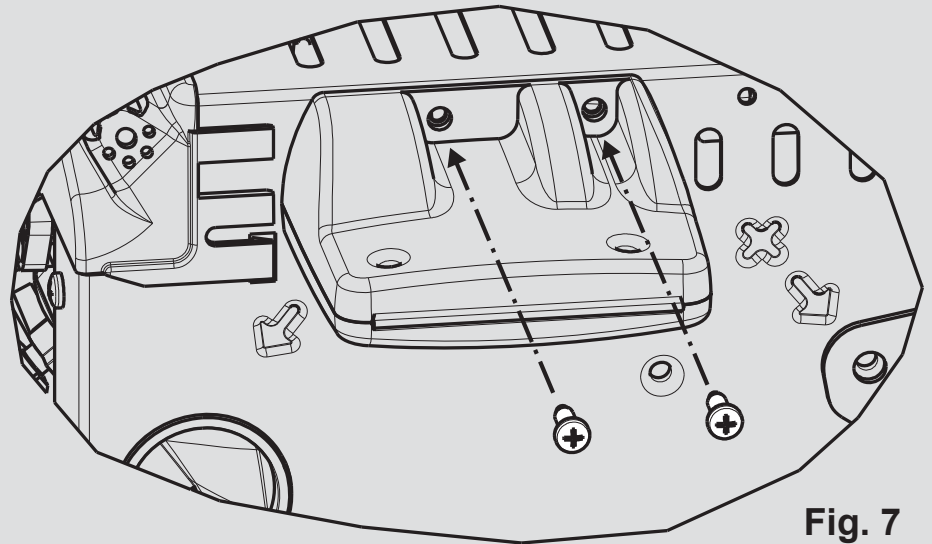
Fig. 6

6. Check that the location hooks of the transceiver housing are located as shown in the picture.



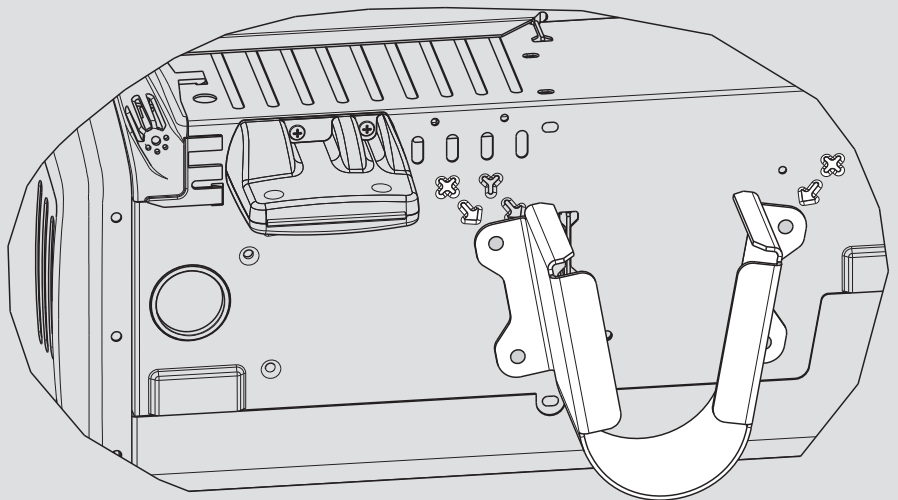
Optimized using  
trial version  
[www.balesio.com](http://www.balesio.com)

7. Using the supplied screws securely screw the transceiver housing into place.



**Fig. 7**

8. On Quantum Size 100 Heater the leg must be attached using the 'X' screw holes to allow the transceiver housing to be accessible for maintenance.



**Fig. 8**



Optimized using  
trial version  
[www.balesio.com](http://www.balesio.com)



**Fig. 7**

This device complies with Part 15 of the FCC Rules and with Licence exempt RSS standards of Industry Canada.

Operation is subject to the following two conditions:

- (1) This device may not cause harmful interference, and
- (2) This device must accept any interference received, including interference that may cause undesired operation.

Le présent appareil est conforme aux CNR d'Industrie Canada applicables aux appareils radio exempts de licence. L'exploitation est autorisée aux deux conditions suivantes:

- (1) l'appareil ne doit pas produire de brouillage, et
- (2) l'utilisateur de l'appareil doit accepter tout brouillage radioélectrique subi, même si le brouillage est susceptible d'en compromettre le fonctionnement.

**WARNING:** Changes or modifications not expressly approved by the party responsible for compliance could void the user's authority to operate the equipment. The term "IC:" before the radio certification number only signifies that Industry Canada technical specifications were met.