

IntelliCare Manual Dispenser



UNITED STATES

8215 Forest Point Blvd
Charlotte NC 28273
USA
Phone: +1 (980) 221-3236
www.sealedair.com

CANADA

Address: 3755 Laird Road
Mississauga, Ontario
L5L 0B3 Canada
Phone: +1 (905) 829-1200
www.sealedair.com

EUROPE

Maarssebroeksedijk 2
NL - 3542DN Utrecht
The Netherlands
Phone: +31 (0)30 247 6911
www.sealedair.com

I.1 DISPENSER INSTALLATION NOTES

NOTE: SEE KEY DISPENSER DIMENSIONS BELOW (1.2). IF INSTALLING WITH DRIP CATCH OR ELBOW BAR, SEE CRITICAL DIMENSIONS BELOW (1.5 Drip-Catch and 2.2 Elbow Bar)

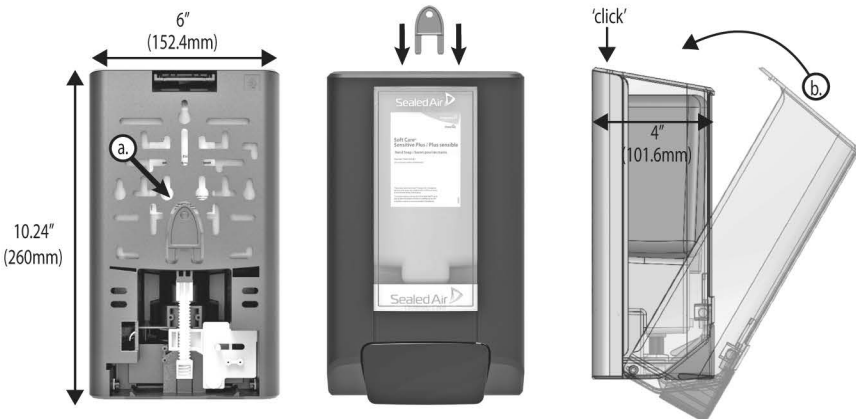
1. Remove key from back of housing. (Reference 'Key Location' in section 1.2, below)
2. The dispenser should be mounted 12 inches (30.5 cm) above the counter-top, sink or other surface.
3. If replacing soap dispenser on wall, determine if any of the holes match up on the Sealed Air unit. Unit is designed to at least partially match numerous soap dispensers.
4. Mount the dispenser to wall using proper mounting hardware for your particular wall composition. Go to section 3.0 for specific dispenser mounting instructions.

NOTE : TAPE & SCREWS/ANCHORS ARE PROVIDED FOR INSTALLATION.

DISCLAIMER : If refills (Soap) used other than certified SA soap, SA is not responsible for any dispenser issues.

I.2 DIMENSIONS, KEY LOCATION, OPENING & CLOSING DISPENSER

****KEY OUTER DIMENSIONS OF DISPENSER : (H)10.24" [260MM] x (W)6" [152.4MM] x (D)4" [101.6mm]**



KEY LOCATION

Remove cover key (a) from back of housing.

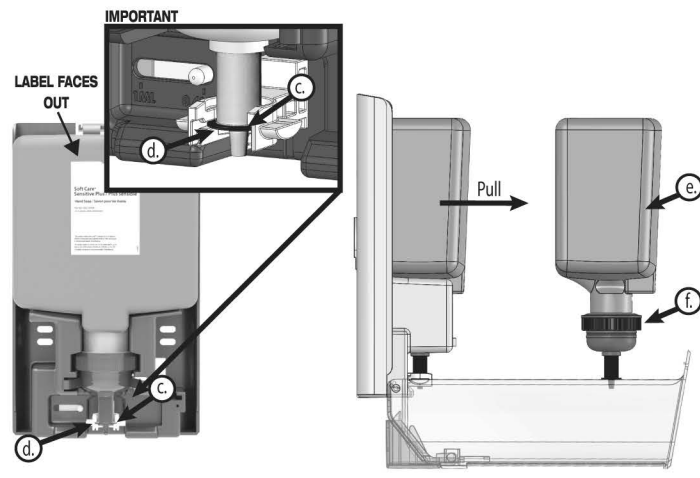
OPENING COVER

Insert key into holes on top of cover then pull cover forward.

CLOSING COVER

To close the cover, simply PUSH the top of cover closed to 'Click' shut (b).

I.3 REFILL PLACEMENT & REMOVAL



TO INSERT REFILL

Push refill into place to ensure the FLANGE of the Soap Nozzle (c) is seated into the correct location (d). If not, the dispenser will not pump correctly.

TO REMOVE REFILL

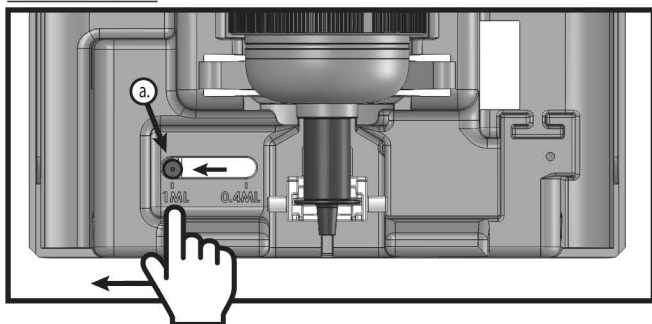
Pull the Container (e) and the Pump Housing (f). Please recycle accordingly.

I.4 DOSE SIZE CONTROL GUIDE

**To change dose setting, open dispenser cover and slide the red Dose Control Switch (a) to your desired dose size,

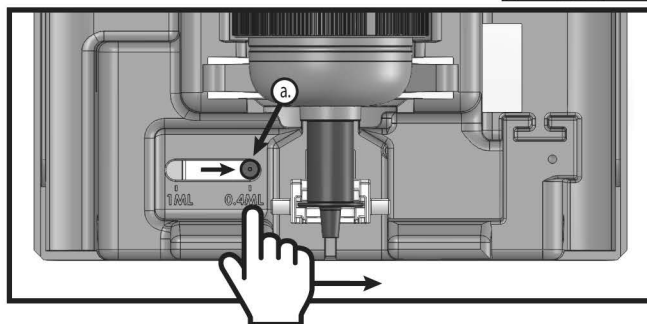
Ensure you slide the Control Switch (a) ALL the way to the left or right.

1.0 ML DOSE SETTING



SLIDE DOSE CONTROL SWITCH (a) TO THE LEFT FOR 1.0ML DOSE SETTING.

0.4 ML DOSE SETTING

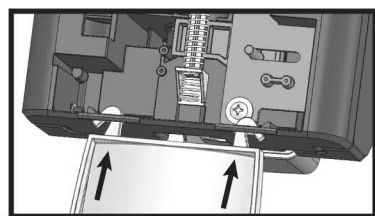


SLIDE DOSE CONTROL SWITCH (a) TO THE RIGHT FOR 0.4ML DOSE SETTING.

I.5 OPTIONAL DRIP-CATCH INSTALLATION

FRONT VIEW

REAR VIEW BOTTOM

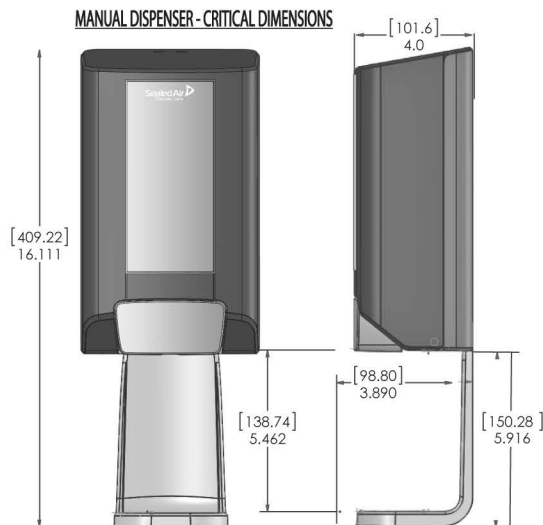


Insert drip catch hooks (a) through rectangular slots located at the backside of the dispenser. The Drip-Catch with SNAP into place.

NOTE: The Drip Catch is not designed to be removed. However, if going to remove for cleaning please be careful not to damage the dispenser. The drip catch might be damaged after removing.

DISCLAIMER: If other drip catch used, Sealed Air not responsible for damage.

MANUAL DISPENSER - CRITICAL DIMENSIONS

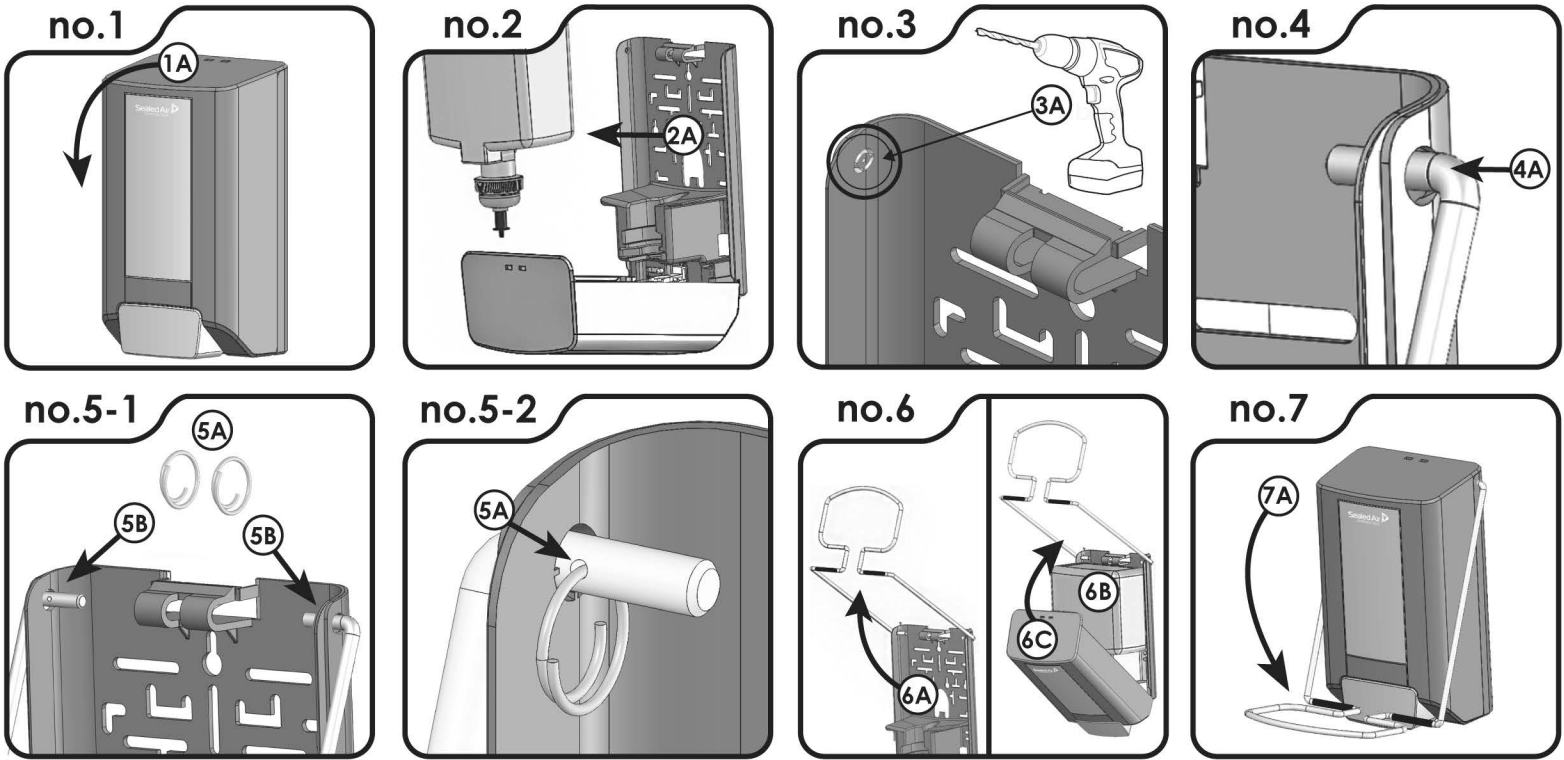


DRIP - CATCH ATTACHED



2.1 ELBOW BAR INSTALLATION

****NOTE: ELBOW BAR CAN BE INSTALLED BEFORE OR AFTER DISPENSER IS AFFIXED TO WALL.**



no.1 Unlock and open Manual Dispenser cover (1A).

no.2 Remove Refill Bottle (2A) from Dispenser.

no.3 Use a drill with a 6mm bit to bore a hole in to the 2 pilot holes (3A) located on the inside left and right sides of the housing unit.

no.4 Insert the Elbow Bar ends (4A) in to each of the holes from the outside. **NOTE: COTTER RINGS (5-1 & 5-2) ARE OPTIONAL.**

no.5-1 Insert Cotter Rings (5A) through Elbow Bar holes (5B).

no.5-2 Cotter Ring (5A) correctly installed close up view.

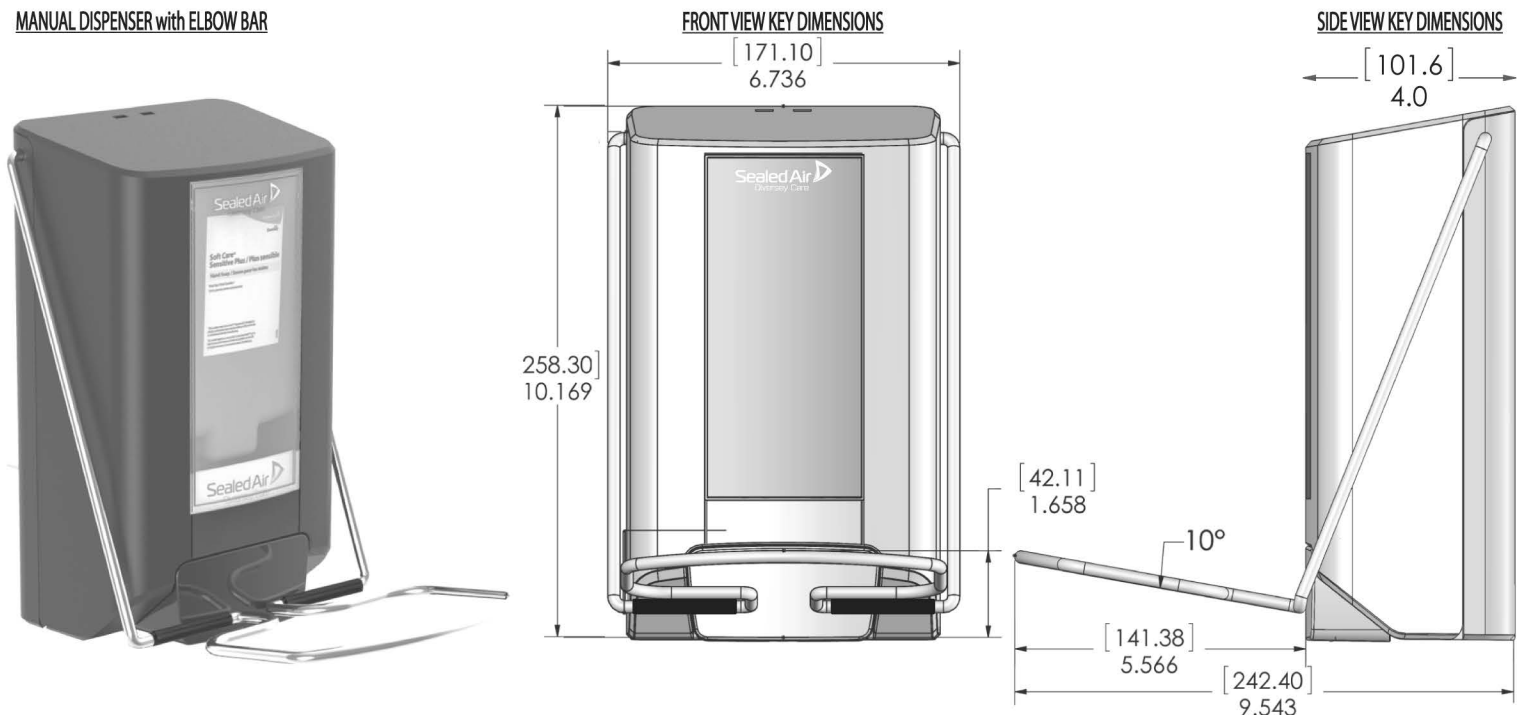
no.6 Lift up the elbow bar to a vertical position (6A). Re-install the Refill bottle (6B) before closing the dispenser cover (6C).

no.7 To complete the installation, lower the Elbow Bar (7A) so that it rests in place on top of the Push Lever.

NOTE: To replace refill, you must LIFT up the Elbow Bar (similar to 6A) first, then UNLOCK and LOWER the COVER. After replacement of refill, CLOSE cover FIRST(6C) before lowering the Elbow Bar (7A).

2.2 ELBOW BAR - KEY DIMENSIONS

MANUAL DISPENSER with ELBOW BAR

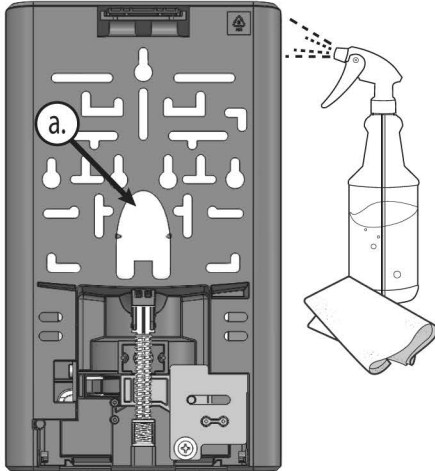


3.0 DISPENSER MOUNTING INSTRUCTIONS

1. Ensure the Key is removed from the housing. See Step 1 under 3.1 Below.
 2. The dispenser should be mounted 12 inches (30.5 cm) above the counter-top, sink or other surface.
 3. If replacing soap dispenser on wall, determine if any of the holes match up on the Sealed Air unit. Unit is designed to at least partially match numerous soap dispensers.
 4. Mount the dispenser to wall using proper mounting hardware for your particular wall composition. See 3.1 (Tape Mounting Instructions) and 3.2 (Screw Mounting Instructions)
- NOTE :** Tape can be used effectively for installations on mirrors and tile.

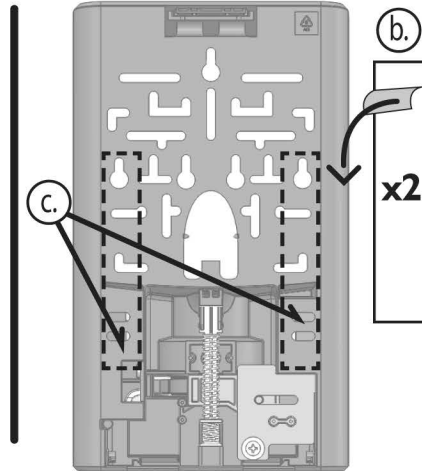
3.1 TAPE MOUNTING INSTRUCTIONS

STEP 1



Step 1: Ensure the back of the dispenser and the wall is properly cleaned for installation. Ensure that all surfaces are **DRY** before mounting the dispenser.

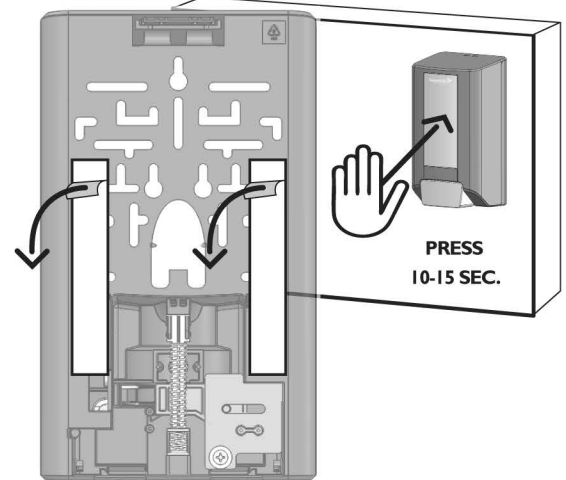
STEP 2



Step 2: Remove the white paper from the one side of the Tape (b).

Place each piece of tape in the areas shown with the black dotted lines (c)

STEP 3



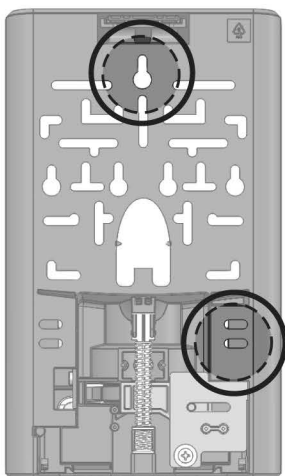
Step 3: Once tape on the dispenser, remove the remaining red backing from both pieces of tape. Last, ensure that the dispenser is in a level position on the wall and press the dispenser firmly for 15 to 20 seconds to allow it to properly adhere to wall.

It's recommended to let the dispenser set up for 24 hours before installing the refill.

NOTE : ENSURE THE KEY (a) IS REMOVED FROM HOUSING

3.2 SCREW MOUNTING INSTRUCTIONS

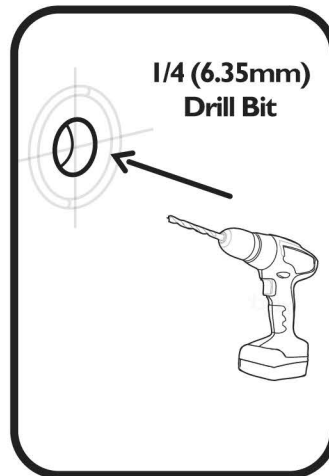
STEP 1



Step 1: The Dispenser housing provides numerous mounting locations. If replacing a competitive unit, determine if one (or more) of the holes match.

If no holes exist on wall or do not properly match, we suggest using the two holes circled above.

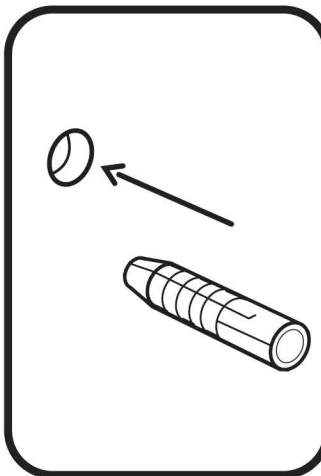
STEP 2A



Step 2A: Use a 1/4 (6.35mm) drill bit to bore the holes on the wall for the anchors and screws provided.

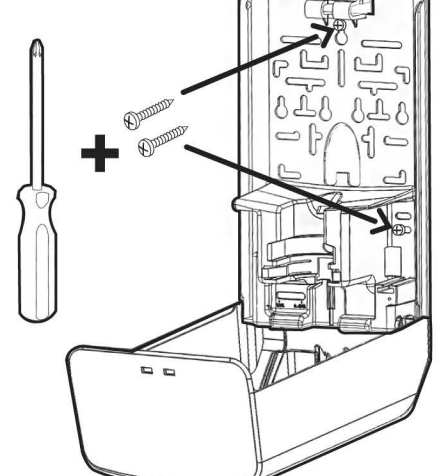
NOTE: Ensure that proper mounting hardware is used for your particular wall composition.

STEP 2B



Step 2B: Insert anchors into both holes.

STEP 3



Step 3: Use a screwdriver to insert the screws in to the anchors and tighten the dispenser securely against the wall.

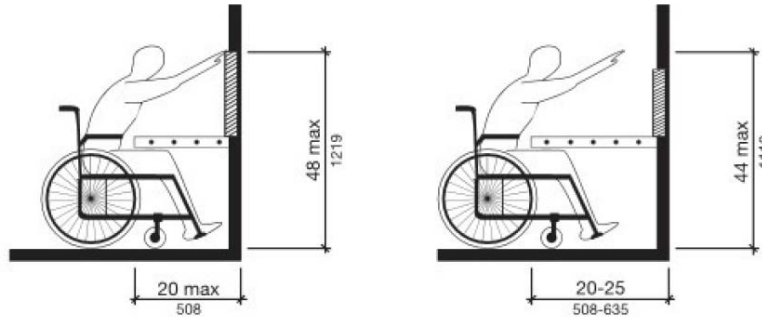
Soap Dispenser Placement Requirements and Recommendations

(See dispenser instructions in dispenser package for actual dispenser installation)

The following recommendations are intended to provide guidelines on best possible placement of handsoap dispensers. Because every location a dispenser is to be mounted is different, depending on customer site, physical size limitations, and available space, these recommendations may not always be entirely possible to follow. However, when placing a soap dispenser, the dispenser installation must meet ADA requirements and should promote ease of use and be in union with its surroundings. Upon installation, the dispenser should be level and the job results professional, presentable, and fully functional.

Requirements for ADA Compliance:

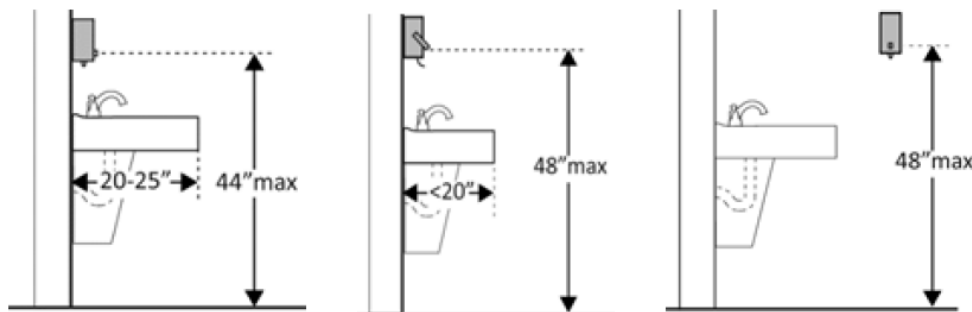
- The dispenser must be operable with one hand.
- Minimum height requirements reference the height of the activator mechanism.
 - Maximum height is 48" when vanity is 20" (or less) deep.
 - Maximum height is 44" when vanity is 20"-25" deep.



a. Over 20-25" deep

b. Over 20" deep

c. Not over an Obstruction



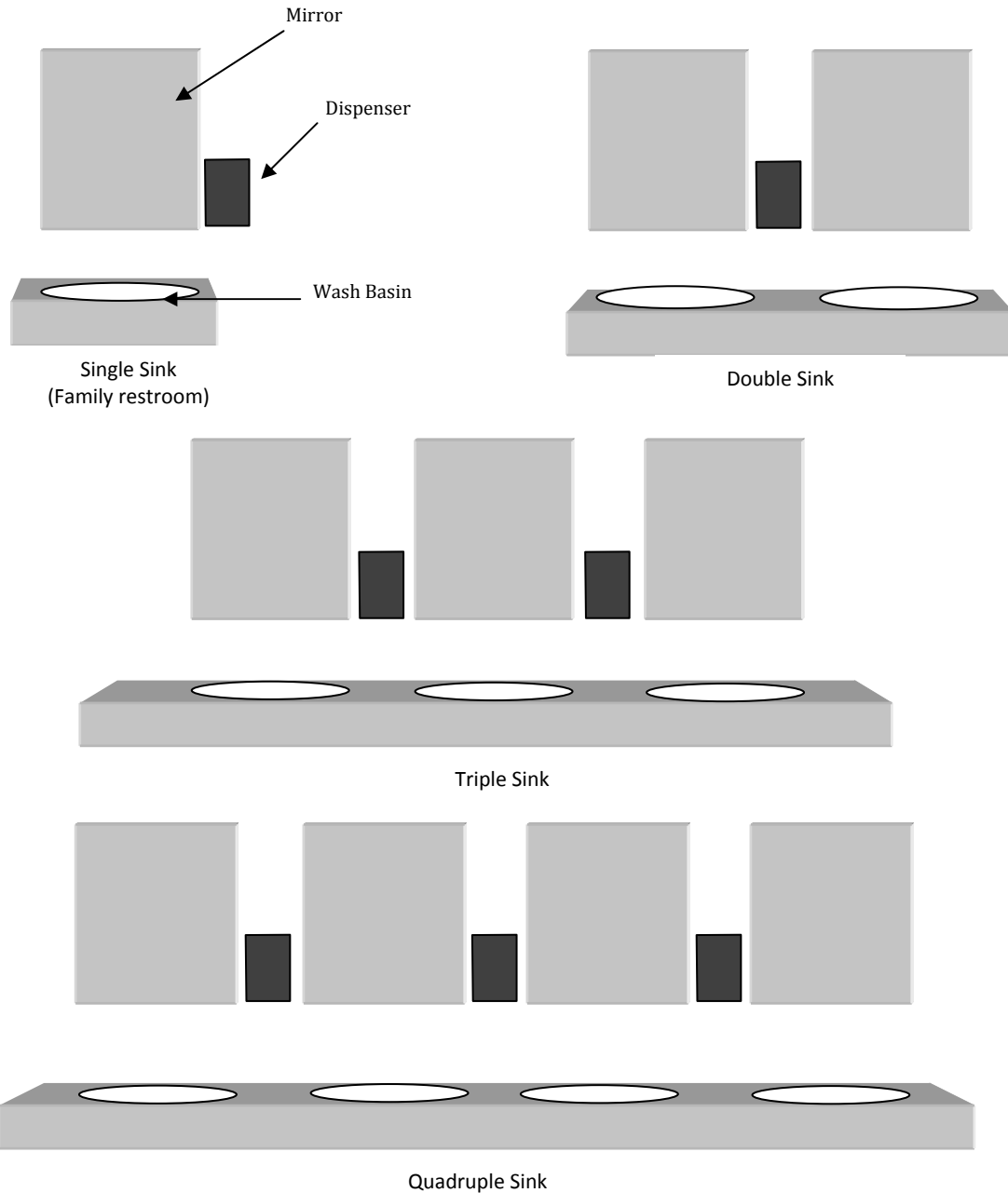
Restrooms

- **Installation must be ADA compliant.**
- Whenever possible, always mount the soap dispenser direct to a wall instead of a mirror or other installed fixture.
 - ***Always use screws to attach dispenser to wall when wall mounted.***
- Anytime space is available, mount dispenser just to the left or right of a mirror.
 - Leave about 1/4" to 1/2" space between mirror and dispenser - just enough for it to open/shut freely and without obstruction.
 - IntelliCare™ Hybrid Dispenser's must be mounted a minimum of 12 inches (30.5 cm) between the bottom of the dispenser and any horizontal surface to assure proper operation of the dispenser. (Be sure dispenser is still meeting ADA height requirements)
- When installing dispensers for sink modules with multiple wash basins, use good judgment when determining how many dispensers should be installed. A single dispenser should be sufficient in serving a module with two wash basins, while 2 dispensers should be sufficient to serve a module with 3 wash basins.
 - See enclosed examples for placement ideas.
- Install only on a mirror when all other possibilities have been exhausted.

Food Service Areas

- It is recommended to always mount a soap dispenser direct to a wall instead of the sink's backsplash whenever possible.
 - ***Always use screws to attach dispenser to wall when wall mounted.***
- Anytime space is available, mount dispenser just to the left or right of the sink.
 - Leave about 1/4" to 1/2" space between sink and dispenser - just enough for it to open/shut without hitting the sink).
 - IntelliCare™ Hybrid Dispenser's must be mounted a minimum of 12 inches (30.5 cm) between the bottom of the dispenser and any horizontal surface to assure proper operation of the dispenser. (Be sure dispenser is still meeting ADA height requirements)
- Avoid mounting a dispenser too high or too low. Always attempt to mount in close proximity of the actual use area.
- Do not install a hand soap dispenser directly above any surface where food will be prepared.
- In food service areas, a hand soap dispenser (and soap) is required at every hand wash sink.
- Install only on the sink backsplash when all other possibilities have been exhausted.

Installation Examples for Restrooms



Helpful Tip: Installing the dispenser in line with the bottom of the mirror (mounted over the lavatory) is always recommended. If the mirror is installed in compliance with ADA requirements (bottom of mirror max 40" above floor), the hand soap dispenser will be in ADA compliance. As well, this installation creates a cleaner sight line than other options.



FCC Labeling Requirements

- This device complies with part 15 of the FCC Rules. Operation is subject to the following two conditions: (1) This device may not cause harmful interference, and (2) this device must accept any interference received, including interference that may cause undesired operation.
- Any intentional or unintentional radiator shall caution the user that changes or modifications not expressly approved by the party responsible for compliance could void the user's authority to operate the equipment.
- This device complies with part 15 of the FCC Rules. Operation is subject to the condition that this device does not cause harmful interference.
- This device has been tested according to FCC RF Exposure guidelines and meets the applicable RF Exposure limits with all the intended use conditions for this device.