

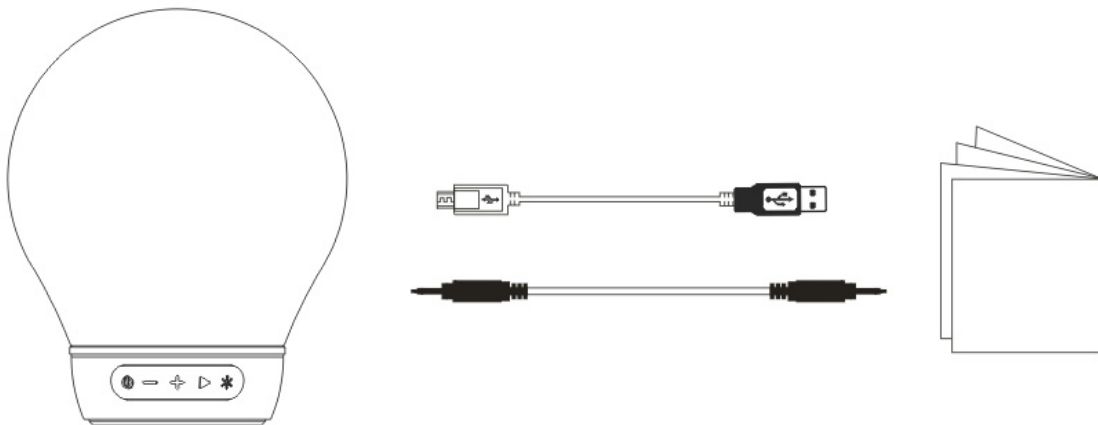
User Manual

Welcome:

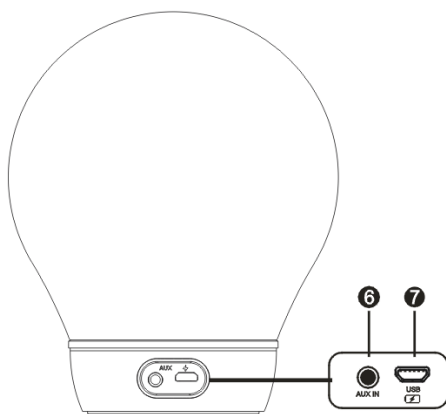
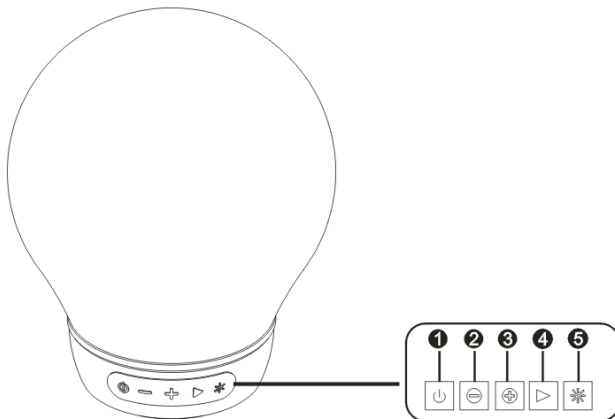
Thank you for purchasing this Divoom® product. AuraBulb is a smart music lamp for the 21st century. It is a Bluetooth speaker, a lamp, a speakerphone and an alarm, all -in- one. It is perfect for your office, nursery, bedroom and home foyer.

1. What's in the box?

- 1 pc of AuraBulb
- 1 pc of silicon cover
- 1 pc of USB recharging cable
- 1 pc of 3.5mm audio cable
- 1 pc of user Manual



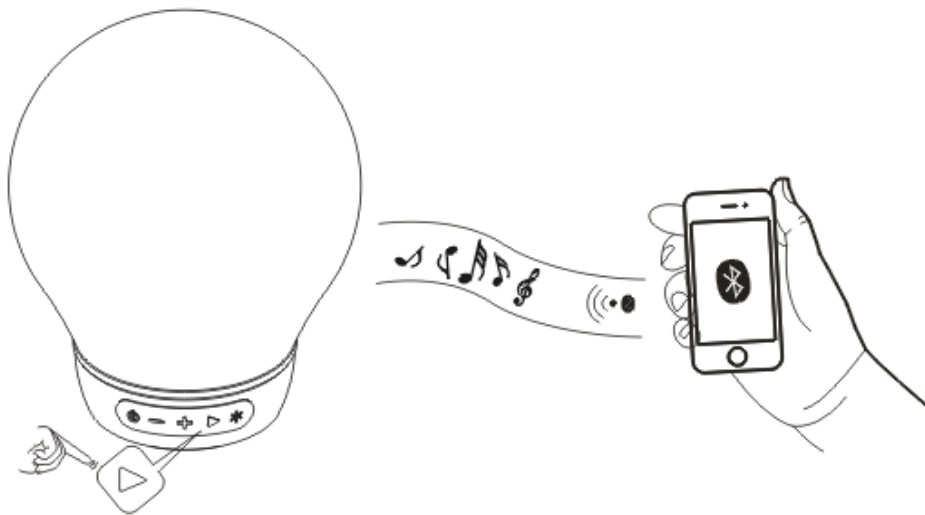
2. Buttons



1. ON/OFF button
2. Short press: lower volume
Long press: previous song
3. Short press: raise volume
Long press: Next song
4. Play/Pause/Hands free/Stop alarm
5. Lighting effect changing button
6. Aux in
7. Micro USB charging port

3. How to use it?

→Bluetooth devices



- Flip on/off button to turn on the unit, Indicator flashing with blue and enter pairing mode.
- Open the Bluetooth function in your device and search AuraBulb.
- Connect your device to AuraBulb successfully
- Start enjoy your music freely
- Long press on/off button to turn off your speaker.

※ Did you know?

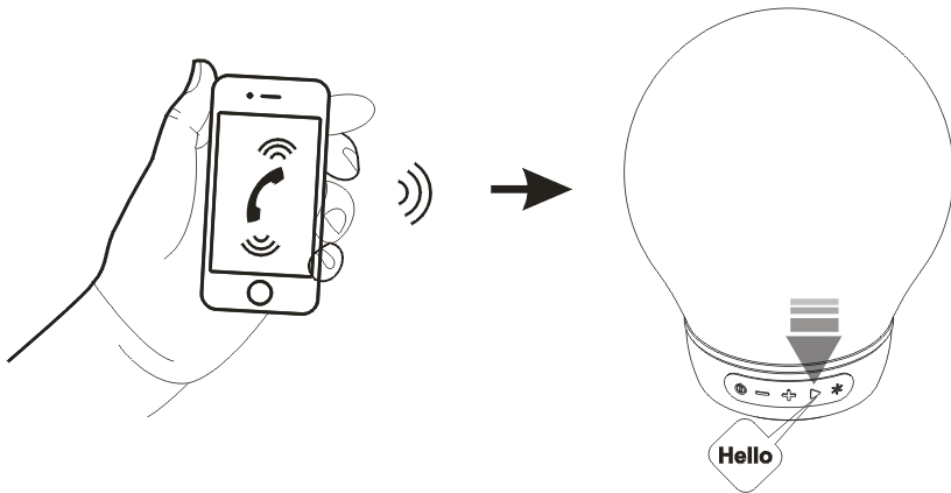
You can switch your current connected device to another Bluetooth device by following steps

Action: Long press hands free button

Indicator: LED blinking blue rapidly

Status: Ready to pair

→ Hands-free

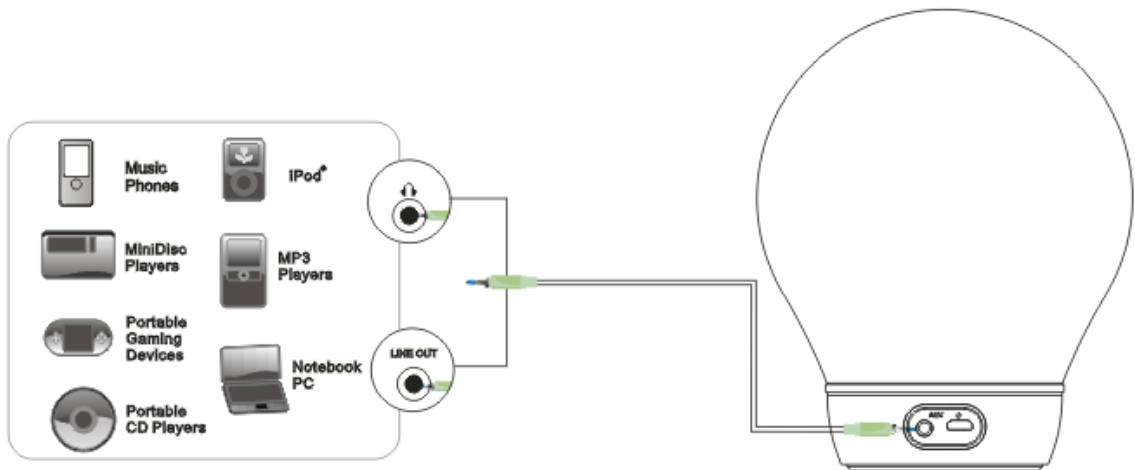


Press the Hands free button to pick up an incoming call.

OR

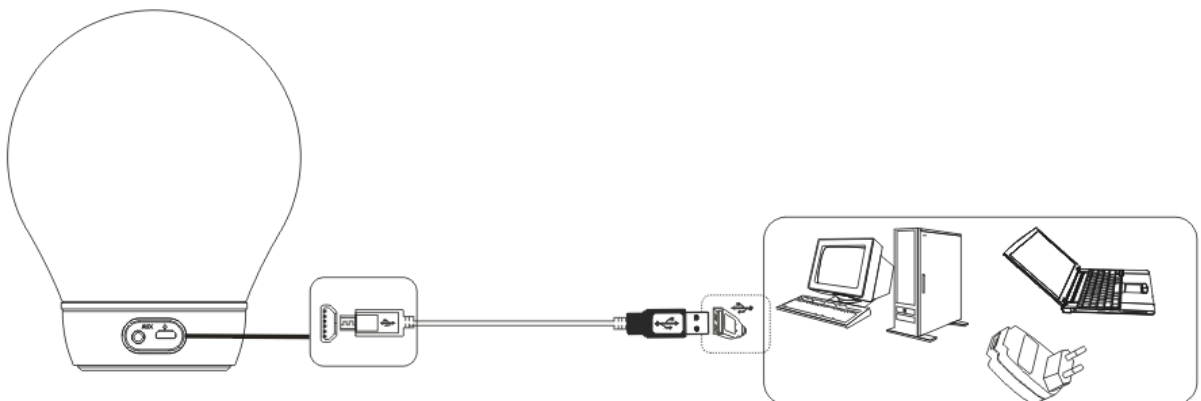
Press and hold the Hands free button for 2 seconds and release to reject an incoming call

→ Non-Bluetooth devices



4. How to charge it up?

Standard USB rechargeable jack compatible to all PC USB ports and AC adaptors



5. LED indicators

Power on--- Blinking blue

Pairing mode---Blinking blue

Bluetooth connected---Solid blue

Charging---Solid Red

Fully charged --- red light disappear

6. Lighting

Press the lighting button to select different Light effect.

※ **Download and install “Divoom AuraBulb” App onto your mobile device to enjoy a better user experience.**



7. Features

- Inspired audio performance from a palm size speaker
- Simple, Emotional Lamp with millions of color
- Smart App control to enjoy all the exciting features of advanced control
- Create Timer to let your favorite music and color wake you up and put you to sleep.

8. Specifications:

Dimensions: 120L*120W*147H mm

Weight: 350g

Driver size: 2" full range + 2" passive

Output power: 5W

Frequency Response: 60-20000Hz

Signal-to-Noise Ratio: ≥75 dB

Playback Time: up to 6 hours

Battery Capacity: 1200mAh

Charge time: 2-3hours

Battery Voltage: 3.7V

Charging: Via USB cable, 5V -1A

FCC Certification Requirements

Caution: Any changes or modifications in construction of this device which are not expressly approved by the party responsible for compliance could void the user's authority to operate the equipment.

This device complies with part 15 of the FCC Rules. Operation is subject to the following two conditions: (1) This device may not cause harmful interference, and (2) This device must accept any interference received, including interference that may cause undesired operation.

The manufacturer is not responsible for any radio or TV interference caused by unauthorized modifications to this equipment. Such modifications could void the user's authority to operate the equipment.

This equipment has been tested and found to comply with the limits for a Class B digital device, pursuant to Part 15 of the FCC Rules. These limits are designed to provide reasonable protection against harmful interference in a residential installation. This equipment generates, uses and can radiate radio frequency energy and, if not installed and used in accordance with the instructions, may cause harmful interference to radio communications. However, there is no guarantee that interference will not occur in a particular installation. If this equipment does cause harmful interference to radio or television reception, which can be determined by turning the equipment off and on, the user is encouraged to try to correct the interference by one or more of the following measures:

- Reorient or relocate the receiving antenna.
- Increase the separation between the equipment and receiver.
- Connect the equipment into an outlet on a circuit different from that to which the receiver is connected.
- Consult the dealer or an experienced radio/TV technician for help.