

Multimedia Speaker System

MODEL: BLUETUNE-POP

Made in China

Shenzhen Divoom Technology Co., Ltd.

1506 Block C, Tiley Central Plaze, Nanshan Shenzhen, China

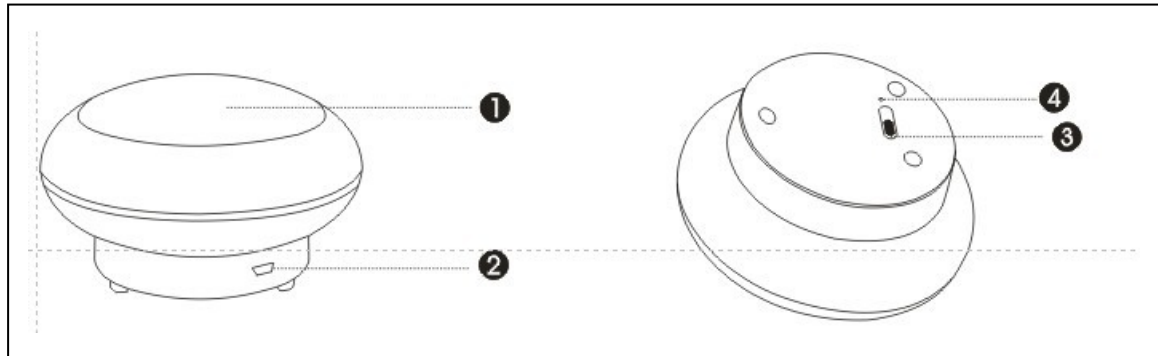
CONTENTS:

1 PC of Bluetune-POP speaker

1 pc of rechargeable USB cable

1 pc of manual

Parts:



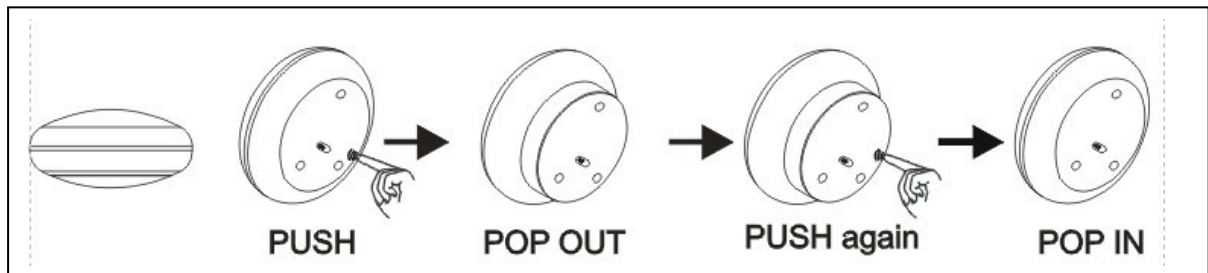
1. speaker unit

2. USB charging port

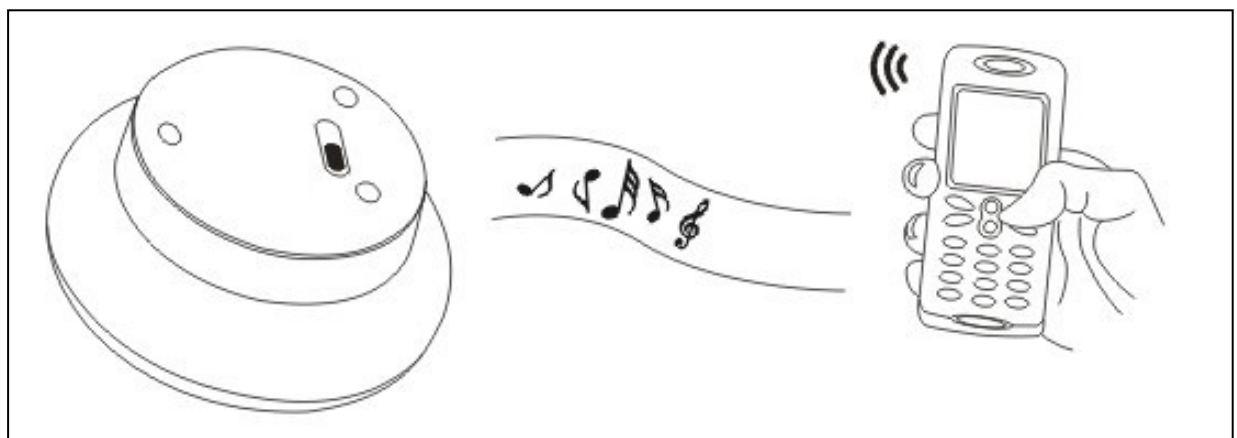
3. power switch

4. LED indicator

Patented POP Bass design:



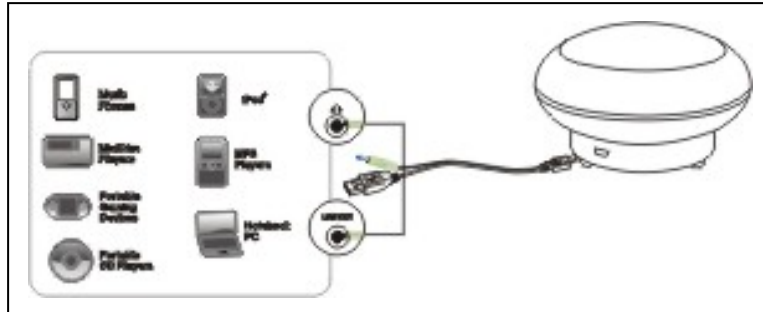
How to use it?



Listen to your Bluetooth-Enabled music player

1. Turn on Bluetune-POP then the LED indicator will show blue
2. Open the Bluetooth function in your device and search Bluetune-POP , LED indicator starts blinking quickly
3. Connect your device to Bluetune-POP Successfully, LED indicator stop blinking and show blue
4. Play the music in your device then enjoy your favorite music

Listen to your non-bluetooth-enabled audio device



1. Insert one end of USB connector into the charging port of Bluetune-POP
2. Insert the 3.5mm audio connector into your audio device directly.
3. Turn on you audio device and start the music playing.
4. Adjust the volume in your audio device.
5. Enjoy your favorite music.

NOTICE: 1) Please fully charge it with USB cable before using

2) Bluetune-POP only can connect with one Bluetooth device when it s working

3) Bluetune-POP doesn't have any button to adjust the volume, you should control the volume in your Bluteooth devices.

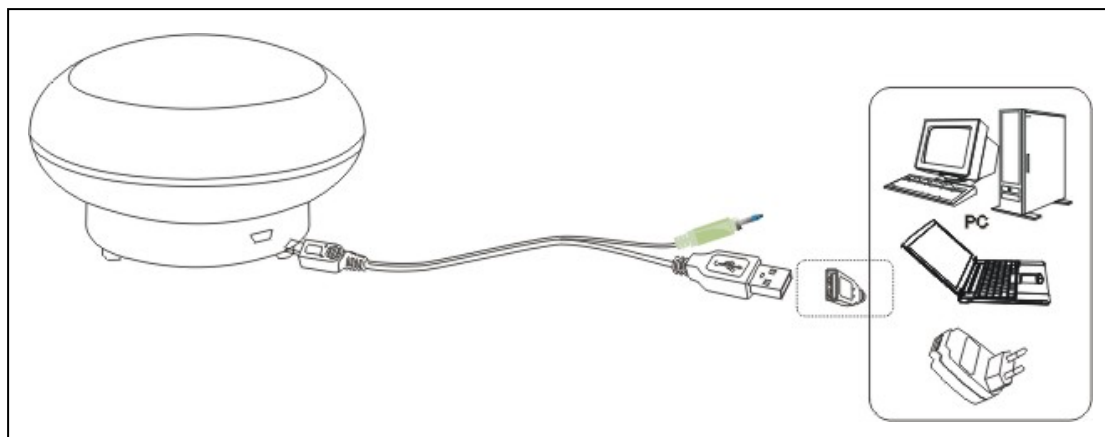
4) in order to keep clear sound, please keep Bluetune-POP away from microwave, TV or other household appliances.

How to charge it ?

Standard USB rechargeable jack compatible to all PC USB ports and AC adaptors

If used the adapter for charging, adapter shall be installed near the equipment and shall be easily accessible.

The USB interface of this EUT is for charging purpose only without data exchange function.



Extreme Bass Expansion Technology(EBE^(TM))

EBE is a new technology which allows easy expansion of the sound field, by simply extending the rear of the speaker. EBE is activated simply by using the patented. Push POP technology(PPT). EBE provides clear & precise audio entertainment, with extensive coverage of highly defined bass capability.

Monophonic Surround Stereo system(MSS^(TM))

MSS is the latest technology in which a singular speaker unit is integrated to the specially designed speaker structure, to reproduce surround stereo audio , This technology is capable of magnifying the audio to 10 times its original sound.

Features

1. Patented Expandable Bass system
2. Excellent audio quality with powerful base, RF range is up to 10M
3. Support iphone ipad and all of music device with Bluetooth
4. Class-D digital amplifier delivers up to 4W loud sound
5. Built in rechargeable-chargeable Li-ion battery, giving up to 8 hours of constant playback

Specification

Output power	:	4W
Speaker units	:	45mm micro driver
Impedance	:	4 Ohm
Frequency range	:	80-20kHz
Voltage supply	:	3.7V 500mAh
Charging Voltage	:	USB 5V 0.1A or AC/DC adaptor 5V
Dimensions	:	87D x 85H(mm)
Bluetooth compliant	:	V3.0
Bluetooth profile support	:	A2DP
USB	:	2.0
Operation temperature	:	-20~55°
Storage temperature	:	-20~70°

Warning

15.19 Labelling requirements.

This device complies with part 15 of the FCC Rules. Operation is subject to the following two conditions: (1) This device may not cause harmful interference, and (2) this device must accept any interference received, including interference that may cause undesired operation.

15.21 Information to user.

The users manual or instruction manual for an intentional or unintentional radiator shall caution the user that changes or modifications not expressly approved by the party responsible for compliance could void the user's authority to operate the equipment.

15.105 Information to the user.

(b) For a Class B digital device or peripheral, the instructions furnished the user shall include the following or similar statement, placed in a prominent location in the text of the manual:

Note: This equipment has been tested and found to comply with the limits for a Class B digital device, pursuant to part 15 of the FCC Rules. These limits are designed to provide reasonable protection against harmful interference in a residential installation. This equipment generates, uses and can radiate radio frequency energy and, if not installed and used in accordance with the instructions, may cause harmful interference to radio communications. However, there is no guarantee that interference will not occur in a particular installation. If this equipment does cause harmful interference to radio or television reception, which can be determined by turning the equipment off and on, the user is encouraged to try to correct the interference by one or more of the following measures:

- Reorient or relocate the receiving antenna.
- Increase the separation between the equipment and receiver.
- Connect the equipment into an outlet on a circuit different from that to which the receiver is connected.
- Consult the dealer or an experienced radio/TV technician for help.