

User Manual ONBEAT-200

Warning

Read these instructions.

Keep these instructions.

Heed all warnings.

Follow all instructions.

Install in accordance with the manufacturer's instructions.

Place the speakers in a stable location so they will not fall causing damage to the speakers or cause bodily harm.

Do not use the speakers near water, and do not immerse them in any liquid or pour any liquid on them.

Do not block the openings on the speaker cabinets, never push objects into speaker vents or slots because of fire or electric hazards, Please insure reasonable space around the speakers for proper ventilation.

Do not install near any heat sources such as radiators, heat registers, stoves, or other apparatus (including amplifiers) that produce heat.

Only use attachments/accessories specified by the manufacturer.

Do not place near any form of open flame source, such as lighted candles, on the apparatus.

Do not get the speaker wet.

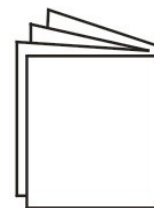
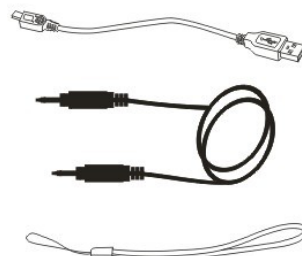
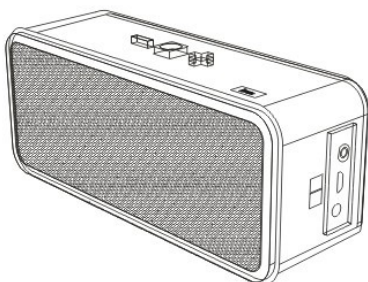
Refer all servicing to qualified service personnel.

Warning: to reduce the risk of fire or electric shock, do not expose this apparatus to rain or moisture.

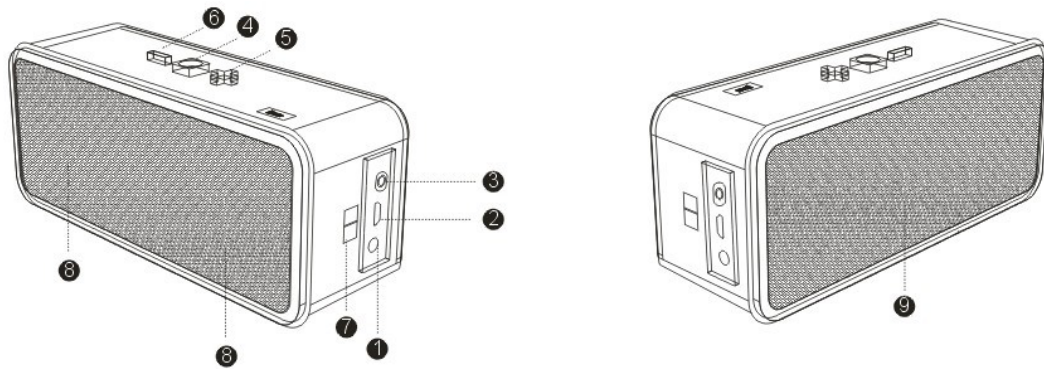
Welcome:

Thank you for purchasing this Divoom® product. Onbeat-200 is a compact Bluetooth speaker system which turns any phone, tablet or mobile device into a portable, hi-fi sound system. Built-in microphone lets you enjoy hands-free calls or video chats.

Package contents



PARTS:



1. AUX in
2. Micro USB charging port
3. on/off button
4. Multifunction button
5. Volume "+"/next button
6. Volume "-" /prev button
- 7 hole for wrist strip
- 8 speaker unit
- 9 passive speaker

Connection

Listen to your Bluetooth-enabled music player:



1. Turn on your Onbeat-200, then the blue led indicator starts blinking quickly, enter pairing mode
2. Open the Bluetooth function in your device and search Onbeat-200
3. Connect your device to Onbeat-200 successfully; Start music play on your Bluetooth device
4. Flip the "multifunction button" to pause your music.
5. Long press the "- / +" for prev and next song

When there is an incoming call:

Press Bluetooth button to pick up the call

Press Bluetooth button to hang up the call

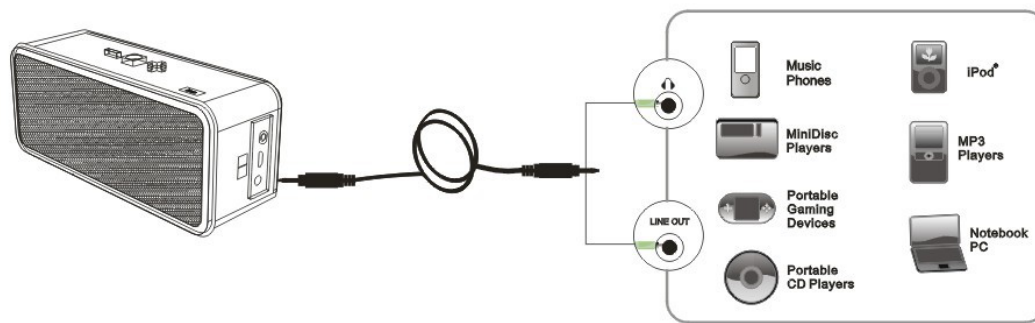
Switching between paired devices:

Switch between your current connected device to your previous connected device by following these steps

Action: Long press " multifunction button "

Indicators LED blinks and stay lit in Blue

•Listen to your non-Bluetooth-enabled audio device



Insert one end of 3.5mm audio connector into the “audio in” jack of Onbeat-200

Insert the other end of audio connector into your audio device

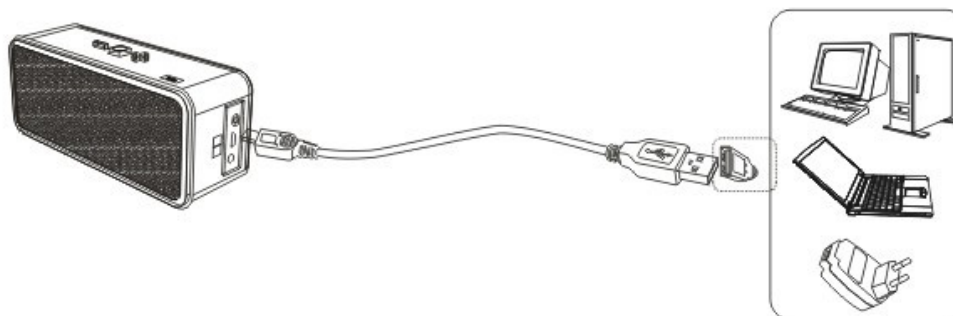
Turn on you audio device and start the music playing.

Adjust the volume in your audio device only.

Enjoy your favorite music.

How to charge it ?

Standard USB rechargeable jack compatible to all PC USB ports and AC adaptors



Features

1. Stream all your digital media from any Bluetooth device
2. Precision-tuned drivers and dual passive bass radiators work in concert to produce amazingly clear, full audio at any volume
3. Built-in speakerphone makes it easy to take and make calls hands free or in a group
4. Rechargeable lithium-ion battery provides up to 8 hours of non-stop music

Specification

165L x 52W x 70H mm

540 g

2" x 2

4 W x 2

80-20000Hz

≥75 dB

Up to 8 hours

1500 mAh

3.7 V

3h hours

Federal Communications Commission (FCC) Statement

This device complies with part 15 of the FCC Rules. Operation is subject to the following two conditions: (1) This device may not cause harmful interference, and (2) this device must accept any interference received, including interference that may cause undesired operation.

Note: This equipment has been tested and found to comply with the limits for a Class B digital device, pursuant to part 15 of the FCC Rules. These limits are designed to provide reasonable protection against harmful interference in a residential installation. This equipment generates, uses and can radiate radio frequency energy and, if not installed and used in accordance with the instructions, may cause harmful interference to radio communications. However, there is no guarantee that interference will not occur in a particular installation. If this equipment does cause harmful interference to radio or television reception, which can be determined by turning the equipment off and on, the user is encouraged to try to correct the interference by one or more of the following measures:

- Reorient or relocate the receiving antenna.
- Increase the separation between the equipment and receiver.
- Connect the equipment into an outlet on a circuit different from that to which the receiver is connected.
- Consult the dealer or an experienced radio/TV technician for help.

Warning: Changes or modifications made to this device not expressly approved by **Shenzhen Divoom Technology Co., Ltd** may void the FCC authorization to operate this device.

Note: The manufacturer is not responsible for any radio or tv interference caused by unauthorized modifications to this equipment. Such modifications could void the user's authority to operate the equipment.