

Action camera (DV-11A)Specification



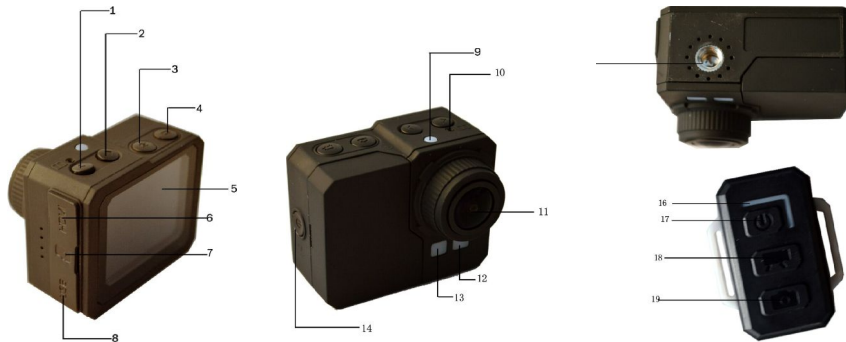
Thanks for choosing our HDMI action camera.

Main Characteristic:

- (1) The latest CPU of ambarella USA , panasonic image sensor 1600W.
- (2) Waterproof 60 meters, suitable for all kinds of extreme weather outdoor.
- (3) Connected with cell phone by WIFI, and operate by APP,which support Andriod and Apple IOS system.The cellphone can control ,preview,play the video files,They stored in the camera or phone . Video and images can share to social website timely.
- (4) Small volume, light weight and portable
- (5) Remoting control up to 20 meters.
- (6) The camera can also take vertical image when its body reversed 180 degrees.

To use the camera correctly, please read this manual first carefully (The design or specification change won't be notified separately.)

Product Structure:



1. Up button/ menu button(press for 3s to open)/shrink button
2. Down button/Enlarge button
3. shoot button/ up button for mode switch/ playback setting button(press for 3 seconds to enter)
- 4.recording button/down button for mode switch/ WIFI shortcuts (press for 3 seconds to open)
- 5.2inch HDMI Panel
- 6.HDMI interface
- 7.TF card
- 8.USB interface
9. Video/photo red light indication
- 10.MIC microphone
- 11.Camera lens
- 12.Charging yellow light indication
- 13.
- 14.
- 15.
- 16.
- 17.
- 18.
- 19.

- 13. Remoting blue light indication
- 14. Power button/OK button
- 15. Lampstand
- 16. Remoting control LED indication
- 17. Remoting control power button
- 18. Remoting control video button
- 19. Remoting control camera button

Assesories pictures:



How to use:

1. Camera on any flay surface/tripod



2. Camera on top of helmet



3. Camera on any cured surface



4. Camera on handlebar



Direction for use :

- 一. Battery charge

Charge from computer by USB. When charging, yellow light works, Finishing, the yellow light closed automatically. The charging time is about 4.5 hours.

- 二. TF Card

TF card: The camera requires 4GB and above TF card (Max support 64GB) ,Speed is CLASS6 and above

When using TF card for the first time, please connect with computer to format it, That will delete all the data on the TF card permanently, including your protective video, and cannot be restored. Therefore, before formatting TF card, please backup important data.

三. Sealing DV

Waterproof case can make the action camera works underwater 60 meters (180 inches).When using in the rain or damp environment ,you must use PODZ to seal your machine in order to protect it.

Note:

1. It will cause damage to the machine if the sealing is not correctly. The damage due to this case by the user is not included in the scope of the warranty.
- 2 In the environment of humid or underwater,the machine is protected by the sealing rubber inside of the PODZ.So you must keep the sealing rubber clean, the injury caused by hair,sand or grains can lead to leaking.
- 3.Every time after use in salt water, you need clean the outside of the product and the sealing rubber and then dry them in the air. If not,the product would be corroded and can't be sealed.

四. Recording

press the power button for 3 seconds to start the machine. press the record button to open the video recording function, and press it again to turn off. then enter the standby state. (when video working state the red light flash)

Before recording, choose the resolution you need by the menu (1080P 60FPS/1080P 30FPS/720P 120FPS/720P 60FPS/480P 240FPS/480P 120FPS).

五. Shooting

Press the power button for 3 seconds to open the camera. Press shoot button to take photo. then enter the standby mode(The red indicator light flash one time when take photos)

Note: When the camera is recording video, it also can take snapshot.

六. HDMI output

After connecting HDMI output, It enter into current mode automatically. You can view videos, photos and do menu Settings

七 .WIFI connection(Connect via Android system or Apple APP by WIFI)

Hardware requirement:

CPU: 1G 双核 RAM: 1GB 以上。

CPU: 1G dual-core RAM: Above 1 GB

The video will be more fluency while the hardware level is higher.

System requirement:

Android 4.0 and above IOS 6.0 and above

Software installation and update:

APP download and update: Use Google play to download linkineyes for Android system and use APP store to download linkineyes for Apple system.

WIFI

you can turn on or off the WIFI in the menu setting. (press the record button for 3second to open WIFI shortcut)then the camera restart,the WIFI sign will turn green in about 25 second.

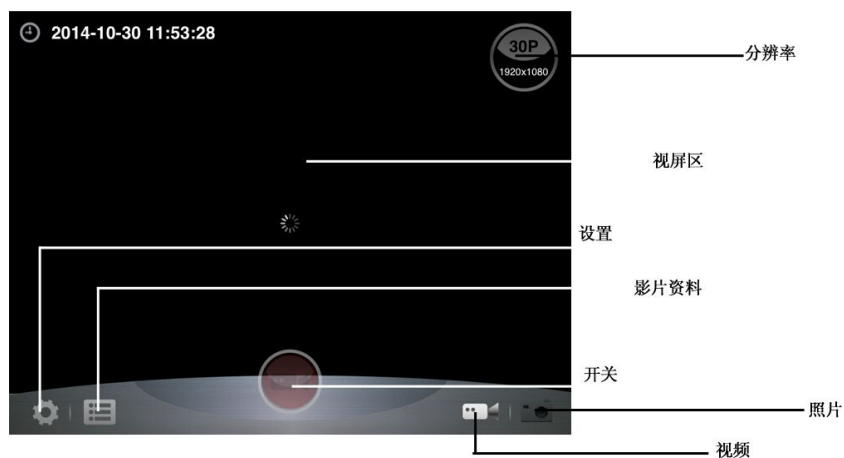
WIFIconnection:

Assure the WIFI of action camera is open, then find the corresponding network to connect it by cellphone or tablet. (Press the record button for 3 seconds to restart the camera,then the WIFI open, it' s WIFI shortcut)

Default Passwords is 1234567890

App application:

Main interface



分辨率: resolution

视屏区: Screen area screen area

设置: setting

影片资料: document

开关: switch

照片: picture

视频: video

Wifi connection settings:

1. SD card with a MISC catalog and MISC includes a wifi.conf setting file .



2. Using momery to open the file (no suggest open by WORD),find the indication

SoftAP configuration

And then modified as shown in figure:

```

wifi.conf - 记事本
文件(F)  编辑(E)  格式(O)  查看(V)  帮助(H)
##### Wifi configuration file #####
## Empty lines and lines starting with # are ignored
# ap: SoftAP mode
# sta: Station mode
# p2p: Enable Wifi Direct Support for peer-to-peer connectivity
WIFI_MODE=ap
# GPIO pin to enable or disable Wifi
#WIFI_EN_GPIO=95

##### STA mode configuration #####
# SSID
ESSID=amba boss
# Passphrase. Leave empty at no security mode; please edit wpa_supplicant.conf when your AP cannot be detected
PASSWORD=1234567890
# Device Name for AMBA Discovery Protocol (optional)
STA_DEVICE_NAME=amba-1

##### Wifi Direct configuration #####
# Find devices with correct name prefix and automatically connect at startup
P2P_AUTO_CONNECT=no
# Auto-connect with devices if the name prefix matches
P2P_CONNECT_PREFIX=amba
## Do not enable this optional field unless you are certain
# please provide a unique name among multiple devices to prevent confusion
#P2P_DEVICE_NAME=amba-1
## Do not enable this optional field unless you are certain
# Set the default P2P GO intent
#P2P_GO_INTENT=0
## Do not enable this optional field unless you are certain
# Specify P2P operating channel
#P2P_OPER_CHANNEL=1
## Do not enable this optional field unless you are certain
# Default mode for H140 enable when operating as GO
#P2P_GO_HT40=0

##### SoftAP configuration #####
# SSID (1 ~ 32 characters)
AP_SSID=amba boss
# IP address
LOCAL_IP=192.168.42.1
# IP subnet mask
LOCAL_NETMASK=255.255.255.0
# IP pool starting address of DHCP server
DHCP_IP_START=192.168.42.2
# IP pool end address of DHCP server
DHCP_IP_END=192.168.42.6
# Wifi channel number. set 0 to use Auto Channel Selection
AP_CHANNEL=0
# Maximum number of stations allowed in station table
AP_MAXSTA=5
# If you say yes here, all WPA/WEP settings will be ignored
AP_PUBLIC=no
# WPA Passphrase (8 ~ 63 characters)
AP_PASSWD=1234567890

##### Advanced WPA configuration #####
## Do not modify this section unless you are certain
# This is a bit field, bit0 = WPA, bit1 = WPA2
WPA_VERSION=2

```

Note: after start the camera, WIFI name will be depended on SD card. If without wifi.conf file , camera will create MISC catalogue and wifi.conf file automatically .

八 Remote control

direction of the remote control:

1. Long press the shoot button on the remote control to turn on it.
2. Before the camera is open,press the shoot button to turn on the remote control(the blue LED lighted).Before the camera is open,press the shoot button to turn off the remote control.
- 3.When the camera is handled by the remote control.the blue LED light flash one time

parameters setting:

Press up button for 3 seconds to enter menu settings

一 Pictures setting

1. Picture size: 16M 4608*3456 16:9/12M 4608*2592 16: 9/8M 3200*2400 4:3
2. Picture quality: high quality/good/general
3. Self-timer : closed/ self-timer 10 seconds /self-timer30 seconds / self-timer take 60 seconds.
4. The time watermark: closed/date/time/date/time
5. Automatic shot: closed / 3 seconds /5 seconds / 10 seconds / 30 seconds to 60 seconds.
6. Shoot: close / 2 shoot/3 shoot

二 Video setting

1. Video size: 1920*1080 60P 16: 9 / 1920*1080 30P 16: 9 / 1280*720 120P 16: 9 /1280*720 60P 16: 9 / 1280*720 30P 16: 9 / 848*480 240P 16: 9 /848*480 60P 16: 9

2. Video quality: high /good/general
3. Time-lapse: closed / 1second/2 seconds/5 seconds/10 seconds/30seconds/50seconds
4. Double stream: closed/open
5. Time watermark: closed/date/time/date/time
6. Motion detecting: close/low/medium/high
7. Length: 15 minutes / 20 minutes / 25 minutes
8. MIC volume: close/50%/60%/70%/80%/90%/100%/
9. Image flip: normal / 180 ° reverse it

三. Menu setting

1. Tv system: NTSC/PAL
2. Light source frequency: Automatic/60Hz/50Hz
3. White balance: Automatic//incandescent lamp/D4000 / D5000 / sun/cloudy
4. ISO: Automatic//100/200/400/800/1600/3200
5. EV: -2.0--0.0--+2.0
6. File name: reset/series
7. Time setting: 2015/01/01 00: 00
8. Format SD-CARD: Yes/No
9. Restore Defaults: Yes/No
10. Menu language: simplified Chinese/traditional Chinese/English/German/French/Portuguese/
Spanish/Korean/Russian
11. WIFI: power on /close
12. Automatic close screen : close/30seconds/1minutes/3 minutes / 5minutes
13. Automatic close: closed/3minutes/5minutes/10minutes
14. Buzzer: closed/open
15. system version: 2014-12-12
16. system update:

四 Playback setting

Press shoot button for 3 seconds to enter playback Setting. (playback Setting has video playback and photographs playback, switch by shoot button)

1. Delete a single file.
2. Delete all files.

shooting or recording :

Shoot or record by DV, Now the shooting and recording are controlled by WIFI. files stockpiled in the TF cards .

Shoot or record by APP: Now the pictures or videos are records in the mobile or tablet. The resolution fixed for QVGA (432 * 240), video format is RTSP stream.

File management: Go to the video list, then you can view the movement DV files by phone. The files can be played back ,shared, deleted and downloaded to mobile.

Connect with computer

Download the video and photo

1. When connected with computers by USB cable, press power button for 3 seconds ,two options will appear on the interface: disk/DC power supply mode, press t OK button to confirm. Note: computer operating system: Windows 2000 / XP/Vista/Windows 7 / MAC OS X10.3.6 above.

2. Browse and manage the files by computer.
3. Pull out the USB cable and close the DV movement.

Product features:

1. Small volume, super-wide 7 g fisheye wide-angle FOV170 ° HOV = 132 ° high-resolution lens design perfect combination, more convenient in various occasions angles, 1080 p high-definition video shooting.
2. Specially designed for sports DV FHD hd large Angle sensitive device.
3. 60 meters waterproof, more suitable for outdoor extreme sports.
4. The external large capacity.
5. Built-in microphone.
6. Support high capacity of TF card.
7. It connected with cell phone by WIFI, and operate by APP,which support Andriod and Apple IOS system.The cellphone can control ,preview,play the video files,They stored in the camera or phone . Video and images can share to social website timely.

technical specifications

CPU	AM A7
Sensor	MN34120PA
Lens	ultra wide angle lens 7G fisheye wide angle FOV170°HOV=132°
Video	1920*1080 60P/1920*1080 30P/1280*720 120P
Format	MP4
Resolution	16M /12M /8M
JPEG format	JPEG
Extrnal TF	Max 64GB
Mic	support
USB	USB2.0
Battery	Extrnal 1100MA lithium
System	Windows 2000/XP/Vista/Windows 7 /MAC OS X10.3.6 aboved

Notice: There is no advance noticed if design and specification be changed, if there is any different, please in kind prevail!

FCC STATEMENT :

This device complies with Part 15 of the FCC Rules. Operation is subject to the following two conditions:

- (1) This device may not cause harmful interference, and
- (2) This device must accept any interference received, including interference that may cause undesired operation.

Warning: Changes or modifications not expressly approved by the party responsible for compliance could void the user's authority to operate the equipment.

NOTE: This equipment has been tested and found to comply with the limits for a Class B digital device, pursuant to Part 15 of the FCC Rules. These limits are designed to provide reasonable protection against harmful interference in a residential installation. This equipment generates uses and can radiate radio frequency energy and, if not installed and used in accordance with the instructions, may cause harmful interference to radio communications. However, there is no guarantee that interference will not occur in a particular installation. If this equipment does cause harmful interference to radio or television reception, which can be determined by turning the equipment off and on, the user is encouraged to try to correct the interference by one or more of the following measures:

Reorient or relocate the receiving antenna.

Increase the separation between the equipment and receiver.

Connect the equipment into an outlet on a circuit different from that to which the receiver is connected.

Consult the dealer or an experienced radio/TV technician for help.

RF warning statement:

The device has been evaluated to meet general RF exposure requirement. The device can be used in portable exposure condition without restriction.