



INDEPENDENT SUPPLY COMPANY INC

an Employee Ownership Company



REFRIGERATION EQUIPMENT

Copeland[®]

KeepRite[®]
REFRIGERATION




EMERSON[™]
Climate Technologies

 **Standard**
Refrigeration Company



SUBJECT INDEX

	Page #		Page #
C		L	
COLDSTREAM PRODUCTS	119	LARKIN INC.	82-118
Compressors		Air Cooled Condensers.....	113-118
EMBRACO	31	BEACON II Refrigeration System	95-97
Hermetic Air Conditioning Duty.....	40-41	Coils.....	82-91
Hermetic Refrigeration Duty.....	32-40	Indoor/Outdoor Units.....	92-105
Screw.....	61-62	PRO3 Packaged Systems.....	111-113
Scroll Air Conditioning.....	42-44	Water Cooled Condensing Units.....	106-110
Scroll Refrigeration.....	45-46	Light Fixtures, Vapour Proof.....	125
Semi-Hermetic.....	47-60	S	
Condensers		SURE SEAL Gaskets	126
Air Cooled, KEEPRITE REFRIGERATION	73-74	T	
Air Cooled, LARKIN	113-118	Thermometers	
Condensing Units		COOPER	127
Air Cooled, COPELAND	1-7, 13-16, 27-28	Dial.....	127-128
Air Cooled, KEEPRITE REFRIGERATION	75-81	Digital.....	127, 129
Air Cooled, LARKIN	92-105	Panel Mount.....	127, 129
NOVA KOOL	63	WEISS	128-129
PRO3 Packaged Systems.....	111-113	U	
Remote, COPELAND	22-26	Unit Coolers	
Water Cooled, COPELAND	8-12, 17-21, 29-30	KEEPRITE REFRIGERATION	64-73
Water Cooled, LARKIN	106-110	LARKIN	82-91
COPELAND	1-62	V	
Air Cooled Units.....	1-7, 13-16, 27-28	Vapour Proof Light Fixture.....	125
Copelametic Compressors.....	47-60	Ventilator Ports, Heated.....	125
Hermetic Air Conditioning Duty.....	40-41	W	
Hermetic Refrigeration Duty.....	32-40	WEISS Thermometers	128-129
Remote Units.....	22-26		
Screw Compressors.....	61-62		
Scroll Compressors.....	42-46		
Water Cooled Units.....	8-12, 17-21, 29-30		
D			
Door Gaskets.....	126		
E			
EMBRACO	31		
G			
Gaskets, Door.....	26		
H			
Hinges.....	120-123		
K			
KASON	120-125		
Hinges.....	120-123		
Latches and Strikes.....	123-125		
KEEPRITE REFRIGERATION	64-81		
Air Cooled Condensers.....	73-74		
Coils.....	64-73		
Indoor/Outdoor Units.....	75-81		

SYSTEM PRO HERMETIC AIR-COOLED CONDENSING UNITS

HIGH / MEDIUM TEMPERATURE - 1/6 HP TO 10 HP

FOR USE WITH R404A, R134A AND R22

- ▶ Drier and Sight glass installed on 091 and 291 BOM units.
- ▶ 2 year warranty on 091 and 291 BOM units.



CAPACITIES

Capacity BTU/hr @ 90°F Ambient - Evaporator Temperature (°F)

Order Number	BOM	Ref	HP	Capacity BTU/hr @ 90°F Ambient - Evaporator Temperature (°F)								
				0	+10	+15	+20	+25	+30	+35	+40	+45
M2FH-0017-SAA	106	R134A	1/6	-	800	910	1,030	1,150	1,280	1,410	1,560	1,710
M2FH-0020-SAA	106	R134A	1/5	-	950	1,070	1,200	1,330	1,470	1,620	1,770	1,930
MMFH-0022-IAA	106	R22	1/5	-	1,250	1,380	1,530	1,680	1,840	2,010	2,180	2,360
M4FH-0022-IAA	106	R404A	1/5	-	1,340	1,460	1,590	1,720	1,860	2,010	2,160	2,310
M2FH-0024-SAA	106	R134A	1/4	-	1,310	1,470	1,640	1,810	2,000	2,190	2,390	2,600
M2FH-0026-IAA*	091	R134A	1/4	-	1,530	1,700	1,890	2,080	2,280	2,490	2,710	2,940
MCFH-0027-IAA*	291	R22	1/4	-	1,910	2,130	2,360	2,600	2,850	3,110	3,380	3,660
M4FH-0025-IAA*	291	R404A	1/4	-	1,890	2,060	2,230	2,430	2,620	2,850	3,070	3,270
M2FH-A033-IAA*	291	R134A	1/3	-	1,870	2,070	2,400	2,710	3,010	3,300	3,580	3,870
MCFH-0036-IAA*	291	R22	1/3	-	2,270	2,550	2,830	3,140	3,460	3,790	4,140	4,500
M4FH-A036-IAA, IAV	201	R404A	1/3	-	2,550	2,815	3,090	3,370	3,670	3,990	4,310	4,650
M2FH-0049-IAA, IAV*	201	R134A	1/2	-	2,610	2,920	3,250	3,600	3,960	4,340	4,740	5,150
MCFH-0049-CAA, CAV*	201	R22	1/2	-	3,090	3,460	3,840	4,250	4,680	5,130	5,600	6,090
M2FH-0050-IAA, IAV*	201	R134A	1/2	-	2,950	3,350	3,780	4,230	4,710	5,210	5,740	6,290
M4FH-0050-CAA, CAV*	291	R404A	1/2	-	3,320	3,660	4,010	4,380	4,770	5,180	5,600	6,040
M2FH-0056-IAA, IAV*	291	R134A	1/2	-	3,240	3,680	4,140	4,630	5,150	5,690	6,270	6,870
MCFH-0056-IAA, IAV*	291	R22	1/2	-	3,610	4,020	4,470	4,950	5,480	6,070	6,720	7,440
FJAF-A056-IAA, IAV*	201	R404A	1/2	3,230	4,150	4,650	5,280	5,990	-	-	-	-
FTAH-B074-IAA, IAV*	201	R134A	3/4	-	4,130	4,675	5,220	5,860	6,500	7,260	8,020	8,880
FTAM-A075-IAA, IAV	001	R134A	3/4	-	4,740	5,470	6,240	7,010	-	-	-	-
F3AH-A078-IAA, IAV	091	R22	3/4	-	4,480	5,120	5,760	6,450	7,130	7,870	8,660	9,440
FJAF-B078-CAA, CAV*	091	R404A	3/4	4,060	5,170	5,760	6,380	7,020	-	-	-	-
FTAH-A101-CFV, TFC, TFD	020	R134A	1	-	4,990	5,860	6,820	7,770	8,780	9,790	10,800	11,800
F3AH-A101-CFV, TFC		R22	1	4,010	5,850	6,750	7,650	8,580	9,590	10,600	11,700	12,900
F3AH-A100-CAV, CAA	001	R22	1	-	5,260	5,960	6,700	7,480	8,320	9,220	10,200	11,200
FJAM-A106-CAV	020	R404A	1	5,440	6,760	7,450	8,170	8,910	-	-	-	-
F3AM-A105-CFV, TFC	001	R22	1	-	6,610	7,570	8,540	9,600	-	-	-	-
FTAH-A125-CFV, TFC, TFD	020	R134A	1 1/4	-	6,920	8,120	9,410	10,790	12,260	13,820	15,460	17,190
FJAM-A125-CFV, TFC	020	R404A	1 1/4	5,760	7,260	8,110	9,960	9,880	-	-	-	-
FJAM-A126-CAV, TFC	020	R404A	1 1/4	6,940	8,550	9,190	9,830	11,100	-	-	-	-
F3AH-0152-CFV, TFC		R22	1 1/2	-	8,470	9,580	10,800	12,200	13,600	15,000	16,400	17,900
FTAH-A150-CFV, TFC, TFD	020	R134A	1 1/2	-	8,670	10,200	11,700	13,100	14,600	16,600	18,600	20,500
F3AD-B151-CFV, TFC, TFD	020	R22	1 1/2	-	8,350	9,550	10,800	12,100	13,550	15,000	16,600	18,300
FJAM-A150-CFV, TFC, TFD	020	R404A	1 1/2	7,300	9,600	10,900	12,100	13,500	-	-	-	-
FTAH-A201-CFV, TFC, TFD	020	R134A	2	-	10,900	13,100	15,400	17,600	19,800	22,200	24,600	26,900
F3AD-B201-CFV, TFC, TFD	020	R22	2	-	11,400	13,000	14,550	16,200	17,900	19,750	21,600	23,600
FJAM-A200-CFV, TFC	020	R404A	2	9,600	12,600	14,100	15,700	17,300	-	-	-	-
FJAM-A225-CFV, TFC, TFD	020	R404A	2 1/4	11,400	14,300	15,900	17,500	19,200	-	-	-	-
F3AD-B225-CFV, TFC, TFD	020	R22	2 1/4	-	12,500	14,300	16,200	18,100	20,000	22,000	23,900	25,900
F3AD-B301-CFV, TFC, TFD	020	R22	3	-	16,810	19,260	21,850	24,550	27,360	30,270	33,230	36,300
FJAM-A300-CFV, TFC, TFD	020	R404A	3	14,100	18,500	20,800	23,100	25,400	-	-	-	-
FTAH-A300-CFV, TFC, TFD	010	R134A	3	-	15,800	18,800	21,900	24,900	27,900	31,200	34,500	37,800
F3AD-B325-CFV, TFC, TFD	020	R22	3 1/4	-	18,520	21,170	23,910	26,790	29,820	33,030	36,430	40,070
FJAM-A325-CFV, TFC, TFD	020	R404A	3 1/4	15,700	20,400	23,100	25,800	28,900	-	-	-	-
F3AD-B401-CFV, TFC, TFD	020	R22	4	-	25,000	28,950	32,850	36,900	41,050	45,350	49,750	54,350
FJAM-B400-CFV, TFC, TFD	020	R404A	4	23,680	30,630	34,170	37,750	41,380	-	-	-	-
F3AD-A501-CFV, TFC, TFD	020	R22	5	-	29,800	34,000	38,200	42,700	47,400	52,350	57,500	62,950
FJAM-B500-CFV, TFC, TFD	001	R404A	5	25,700	32,900	37,100	41,300	46,000	-	-	-	-
FNAR-070Z-TFC, TFD, TFE	001	R404A	7 1/2	37,700	46,800	51,500	56,500	61,700	67,200	72,900	78,800	85,000
FNAR-080Z-TFC, TFD, TFE	001	R404A	8	40,700	50,500	55,600	60,900	66,400	72,000	77,800	83,600	89,600
FNAR-091Z-TFC, TFD, TFE	001	R404A	9	48,600	59,000	64,400	70,100	76,000	82,100	88,400	95,000	101,700
FNAR-101Z-TFC, TFD, TFE	001	R404A	10	56,500	67,800	73,800	80,000	86,400	93,000	99,900	107,000	114,300

COPELAND

SYSTEM PRO HERMETIC AIR-COOLED CONDENSING UNITS

HIGH / MEDIUM TEMPERATURE - 1/6 HP TO 10 HP

- ▶ Drier and Sight glass installed on 091 and 291 BOM units.
- ▶ 2 year warranty on 091 and 291 BOM units.



SPECIFICATIONS

Order Number	Compressor	Oil	L x W x H (in)	Connecting Lines (in)			MCA		Pump Down Cap.	Ship Weight (lbs)
				Suction	Liquid	115/1/60	230/1/60	230/3/60		
M2FH-0017-SAA	ARB13C3E	POE	13.8 x 11.8 x 9.7	3/8 F	1/4 F	4.2 - 15	-	-	-	33
M2FH-0020-SAA	ARB17C3E	POE	13.8 x 11.8 x 9.7	3/8 F	1/4 F	5.1 - 15	-	-	-	35
MMFH-0022-IAA	ARB21C3	AB	13.8 x 11.8 x 9.7	3/8 F	1/4 F	6.4 - 15	-	-	-	36
M4FH-0022-IAA	ASB12C3E	POE	13.8 x 11.8 x 9.7	3/8 F	1/4 F	7.3 - 15	-	-	-	36
M2FH-0024-SAA	ARE25C3E	POE	13.8 x 11.8 x 9.7	3/8 F	1/4 F	6.3 - 15	-	-	-	36
M2FH-0026-IAA	ARE27C3E	POE	13.8 x 11.8 x 9.7	3/8 F	1/4 F	6.9 - 15	-	-	2.3	41
MCFH-0027-IAA	ARE36C3	AB	13.8 x 11.8 x 9.7	3/8 F	1/4 F	9.1 - 15	-	-	2.5	42
M4FH-0025-IAA	ASE19C3E	POE	13.8 x 11.8 x 9.7	3/8 F	1/4 F	10.7 - 15	-	-	2.2	41
M2FH-A033-IAA, IAV	ARE37C3E	POE	13.8 x 11.8 x 9.7	3/8 F	1/4 F	9.9 - 15	4.9 - 15	-	2.5	46
MCFH-0036-IAA	ARE43C3	AB	16.2 x 13.1 x 11.8	3/8 F	1/4 F	9.8 - 15	-	-	3.6	47
M4FH-A036-IAA, IAV	ASE24C3E	POE	16.2 x 13.1 x 11.8	3/8 F	1/4 F	8.4 - 15	5.8 - 15	-	3.3	45
M2FH-0049-IAA, IAV	ART51C1E	POE	16.2 x 13.1 x 11.8	3/8 F	1/4 F	12.5 - 20	6.6 - 15	-	3.7	50
MCFH-0049-CAA, CAV	ARE59C3	AB	16.2 x 13.1 x 11.8	3/8 F	1/4 F	10.9 - 15	5.6 - 15	-	4.0	54
M2FH-0050-IAA, IAV	ART62C1E	POE	16.2 x 13.1 x 11.8	3/8 F	1/4 F	14.6 - 20	7.4 - 15	-	4.1	55
FJAF-A056-IAA, IAV	RS43C2E	POE	17.5 x 14.3 x 12.0	5/8 RF	1/4 F	14.3 - 20	8.1 - 15	-	4.3	77
M2FH-0056-IAA, IAV	ART64C1E	POE	17.4 x 14.4 x 11.8	3/8 F	1/4 F	15.5 - 20	8.8 - 15	-	4.3	60
MCFH-0056-IAA, IAV	ART69C1	AB	17.4 x 14.4 x 11.8	3/8 F	1/4 F	18.0 - 25	6.7 - 15	-	4.1	65
M4FH-0050-CAA, CAV	ASE32C3E	POE	16.2 x 13.1 x 11.8	3/8 F	1/4 F	12.4 - 20	6.7 - 15	-	3.7	50
FTAH-B074-IAA, IAV	RR81C2E	POE	17.5 x 14.3 x 12.0	5/8 RF	1/4 F	20.7 - 30	12.3 - 20	-	5.1	79
FTAM-A075-IAA, IAV	RS54C2E	POE	24.0 x 16.9 x 13.1	5/8 RF	3/8 F	16.8 - 25	9.7 - 15	-	7.9	106
F3AH-A078-IAA, IAV	RS47C2	MIN	24.0 x 16.9 x 13.1	5/8 RF	3/8 F	19.9 - 30	10.1 - 15	-	6.1	102
FJAF-B078-CAA, CAV	RS55C2E	POE	24.0 x 16.9 x 13.1	5/8 RF	3/8 F	18.5 - 25	8.8 - 15	-	7.2	96
FTAH-A101-CFV, TFC, TFD	CS10K6E	POE	24.0 x 16.8 x 15.9	5/8 RF	3/8 F	-	14.8 - 20	10.5 - 15	8.4	130
F3AH-A101-CFV, TFC	CS10K6E		24.0 x 16.9 x 13.1	5/8 RF	3/8 F	-	9.9	7.0	6.3	112
F3AH-A100-CAV	RRG4-0100	MIN	24.0 x 16.9 x 13.1	5/8 RF	3/8 F	-	12.7 - 20	-	8.3	112
FJAM-A106-CAV	RS64C2E	POE	24.1 x 18.3 x 16.9	7/8 RS	3/8 F	-	12.5 - 15	-	7.9	106
F3AM-A105-CFV, TFC	RS70C1	MIN	24.1 x 18.3 x 16.2	7/8 RS	3/8 F	-	11.7 - 15	8.8 - 15	14.7	138
FTAH-A125-CFV, TFC, TRD	CS14K6E	POE	24.0 x 18.4 x 16.3	7/8 RS	3/8 F	-	18.4 - 25	14.3 - 20	9.2	140
FJAM-A125-CFV, TFC	RS70C1E	POE	24.0 x 18.4 x 16.2	7/8 RS	3/8 F	-	11.7 - 15	8.8 - 15	12.8	128
FJAM-A126-CAV, TFC	RS80C2E	POE	24.0 x 18.4 x 16.2	7/8 RS	3/8 F	-	14.9 - 15	10.9 - 15	12.8	128
F3AH-0152-CFV, TFC	REY3-0175		24.0 x 18.3 x 15.8	7/8 SW	3/8 F	-	15.9	11.0	6.3	128
FTAH-A150-CFV, TFC, TFD	CS18K6E	POE	24.0 x 18.4 x 16.3	7/8 RS	3/8 F	-	22.9 - 35	15.9 - 20	9.2	140
F3AD-B151-CFV, TFC, TFD	CRA1-0150	MIN	24.1 x 18.3 x 16.9	7/8 RS	3/8 F	-	16.4 - 20	14.5 - 20	9.1	140
FJAM-A150-CFV, TFC, TFD	CS10K6E	POE	24.1 x 18.3 x 16.9	7/8 RS	3/8 F	-	16.5 - 20	12.2 - 15	12.8	144
FTAH-A201-CFV, TFC, TFD	CS20K63	POE	25.1 x 34.1 x 19.1	7/8 RS	3/8 F	-	25.6 - 40	16.6 - 25	16.7	215
F3AD-B201-CFV, TFC, TFD	CRD1-0200	MIN	25.1 x 34.1 x 19.1	7/8 RS	3/8 F	-	19.1 - 30	13.2 - 15	17.8	215
FJAM-A200-CFV, TFC	CS12K6E	POE	25.2 x 34.1 x 18.9	7/8 RS	3/8 F	-	15.9 - 20	11.7 - 15	14.3	215
FJAM-A225-CFV, TFC, TFD	CS14K6E	POE	25.1 x 34.1 x 18.9	7/8 RS	3/8 F	-	17.8 - 25	13.7 - 20	14.3	220
F3AD-B225-CFV, TFC, TFD	CRE2-0225	MIN	25.1 x 34.1 x 19.1	7/8 RS	3/8 F	-	21.4 - 30	15.6 - 20	17.8	215
F3AD-B301-CFV, TFC, TFD	CR37KQ	MIN	25.1 x 34.1 x 18.9	1 1/8 RS	3/8 F	-	28.9 - 40	19.7 - 20	20.0	239
FJAM-A300-CFV, TFC, TFD	CS18K6E	POE	25.1 x 34.1 x 19.1	1 1/8 RS	3/8 F	-	25.8 - 35	18.8 - 20	16.3	236
F3AD-B401-CFV, TFC, TFD	CRM3-0400	MIN	28.6 x 44.1 x 26.9	1 1/8 RS	1/2 F	-	41.9 - 60	25.9 - 40	31.5	373
FJAM-A325-CFV, TFC, TFD	CS20K6E	POE	25.1 x 34.1 x 18.9	1 1/8 RS	3/8 F	-	29.1 - 40	20.1 - 25	16.3	239
FJAM-B400-CFV, TRD, TFD	CS27K6E	POE	28.6 x 44.1 x 26.9	1 1/8 RS	1/2 F	-	33.0 - 50	TBD	27.3	373
FTAH-A300-CFV, TFC, TFD	CS33K3E	POE	25.4 x 34.1 x 19.1	1 1/8 RS	3/8 F	-	44.2 - 60	31.7 - 45	19.0	249
F3AD-B325-CFV, TFC, TFD	CR41KQ	MIN	25.1 x 34.1 x 19.1	1 1/8 RS	3/8 F	-	30.1 - 40	21.9 - 25	20.0	239
F3AD-A501-CFV, TFC, TFD	CRN5-0500	MIN	28.6 x 44.1 x 26.9	1 1/8 RS	1/2 F	-	46.4 - 70	30.3 - 45	31.5	373
FJAM-B500-CFV, TFC, TFD	CS33K3E	POE	28.6 x 44.1 x 26.9	1 1/8 RS	1/2 F	-	42.0 - 60	29.5 - 45	27.3	373
FNAR-070Z-TFC, TFD, TFE	ZB50KCETF5	POE	44 x 29 x 37	1 3/8 RS	5/8 S	-	-	44.8	44.0	503
FNAR-080Z-TFC, TFD, TFE	ZB58KCETF5	POE	44 x 29 x 37	1 3/8 RS	5/8 S	-	-	49.1	44.0	503
FNAR-091Z-TFC, TFD, TFE	ZB66KCETF5	POE	44 x 29 x 37	1 3/8 RS	5/8 S	-	-	51.0	44.0	513
FNAR-101Z-TFC, TFD, TFE	ZB76KCETF5	POE	44 x 29 x 37	1 3/8 RS	5/8 S	-	-	60.8	44.0	530

Electrical Codes

IAA 115V TFC 208/230/3/60 IAV 208/230/1/60 TFD 460/3/60 CFV 208/230/1/60

SYSTEM PRO HERMETIC AIR-COOLED CONDENSING UNITS

LOW TEMPERATURE 1/5 HP to 4 HP

FOR USE WITH R134A / R404A

- ▶ Drier and Sight glass installed on 091 and 291 BOM units.
- ▶ 2 year warranty on 091 and 291 BOM units.



CAPACITIES

Capacity BTU/hr @ 90°F Ambient - Evaporator Temperature (°F)

Order Number	BOM	Ref	HP	Capacity BTU/hr @ 90°F Ambient - Evaporator Temperature (°F)					
				-30	-25	-20	-15	-10	0
M2FL-0023-IAA	106	R134A	1/5	-	460	560	650	760	990
M2FL-A025-IAA	001	R134A	1/4	-	740	850	970	1,110	1,420
M2FL-0040-IAA	201	R134A	1/3	-	990	1,210	1,440	1,680	2,220
M4FL-0033-IAA	091	R404A	1/3	-	910	1,080	1,260	1,440	1,830
FTAL-A050-IAA, IAV	201	R134A	1/2	-	1,210	1,540	1,900	2,270	3,070
M4FL-0040-IAA, IAV	291	R404A	1/2	-	1,430	1,650	1,880	2,120	2,640
M4FL-0051-IAA	291	R404A	1/2	-	1,530	1,840	2,190	2,550	3,340
M4FL-0067-CFA, CFV	291	R404A	1/2	-	2,340	2,690	3,090	3,520	4,490
FJAF-A075-CAA, IAV	001	R404A	3/4	-	2,340	2,830	3,320	4,180	5,040
FJAL-A101-CAV, TFC	020	R404A	1	-	3,370	3,950	4,520	5,150	6,450
FJAL-A103-CFV, TFC	020	R404A	1	2,400	3,060	3,710	4,370	5,070	6,610
FJAL-B200-CFV, TFC, TFD	020	R404A	2	4,420	5,440	6,560	7,750	9,010	11,530
FJAL-A225-CFV, TFC, TFD	020	R404A	2 1/4	4,580	5,620	6,780	8,060	9,440	12,400
FJAL-B301-CFV, TFC, TFD	015	R404A	3	6,890	8,540	10,370	12,340	14,430	18,810
FJAL-A390-CFV, TFC, TFD	015	R404A	4	8,360	10,220	12,110	14,040	16,040	20,100

SPECIFICATIONS

Order Number	Compressor	Oil	L x W x H (in)	Connections (in)			MCA			Pump Down Capacity	Ship Weight (lbs)
				Suction	Liquid	115/1/60	230/1/60	230/3/60			
M2FL-0023-IAA	AFB05C3E	POE	13.8 x 11.8 x 9.7	3/8 F	1/4 F	4.2 - 15	-	-	-	36	
M2FL-A025-IAA	AFE10C3E	POE	13.8 x 11.8 x 9.7	3/8 F	1/4 F	6.9 - 15	-	-	2.5	42	
M2FL-0040-IAA	AFT12C1E	POE	16.2 x 12.4 x 9.7	3/8 F	1/4 F	7.2 - 15	-	-	2.9	48	
M4FL-0033-IAA	AFE11C3E	POE	13.8 x 11.8 x 9.7	3/8 F	1/4 F	7.7 - 15	-	-	2.2	41	
FTAL-A050-IAA, IAV	RF18C2E	POE	16.2 x 13.2 x 11.9	1/2 RF	1/4 F	17.2 - 25	9.6 - 15	-	36.	64	
M4FL-0040-IAA	AFE13C3E	POE	16.2 x 13.1 x 11.8	3/8 F	1/4 F	8.9 - 15	-	-	3.1	47	
M4FL-0051-IAA	AFT18C1E	POE	17.4 x 13.1 x 11.8	1/2 F	1/4 F	11.6 - 15	-	-	3.5	56	
M4FL-0067-CFA	AFT26C1E	POE	17.4 x 14.4 x 11.8	1/2 F	1/4 F	11.3 - 15	-	-	3.8	60	
FJAF-A075-CAA, IAV	RS64C2E	POE	24.0 x 16.9 x 13.1	5/8 RF	3/8 F	21.0 - 30	12.7 - 20	-	4.8	100	
FJAL-A101-CAV, TFC	RS80C2E	POE	24.0 x 16.9 x 13.1	5/8 RF	3/8 F	-	13.2 - 20	9.2 - 15	7.2	120	
FJAL-A103-CFV, TFC	CF04K6E	POE	24.0 x 16.9 x 13.1	5/8 RF	3/8 F	-	13.2 - 20	9.2 - 15	5.4	135	
FJAL-B200-CFV, TFC, TFD	CF06K6E	POE	24.0 x 18.4 x 16.2	7/8 RS	3/8 F	-	20.8 - 25	14.6 - 15	7.9	144	
FJAL-A225-CFV, TFC, TFD	CF06K6E	POE	25.2 x 34.1 x 18.9	7/8 RS	3/8 F	-	19.0 - 25	14.6 - 15	14.3	196	
FJAL-B301-CFV, TFC, TFD	CF09K6E	POE	25.2 x 34.1 x 18.9	7/8 RS	3/8 F	-	25.8 - 35	18.6 - 20	16.3	217	
FJAL-A390-CFV, TFC, TFD	CF12K63	POE	25.2 x 34.0 x 19.0	7/8 RS	3/8 F	-	29.6 - 40	21.2 - 25	16.3	220	

Electrical Codes

IAA	115V	TFC	208/230/3/60
IAV	208/230/1/60	TFD	460/3/60
CFV	208/230/1/60		

ACCESSORIES

Condensing Unit Hoods

Order Number	UL Listed	Economy Style	Fan Cycling Control Accessories
FJAL-A103-CFV, TFC	005-8882-00	115-0882-09	N/A
FJAL-A200-DFV, TFC, TFD	005-0882-02	005-0882-10	N/A
FJAL-B200-CFV, TFC, TFD	005-0882-02	005-0882-10	N/A
FJAL-A225-CFV, TFC, TFD	005-0882-01	005-0882-11	985-CP1A-5K
FJAL-B301-CFV, TFC, TFD	005-0882-01	005-0882-11	Standard equipment
FJAL-A390-CFV, TFC, TFD	005-0882-01	005-0882-11	Standard equipment

COPELAND

F-LINE REFRIGERATION SCROLL AIR-COOLED CONDENSING UNITS

MEDIUM / LOW TEMPERATURE - 2 1/4 HP TO 5 HP

FOR USE WITH R404A / R507



CAPACITIES

Capacity BTU/hr @ 90°F Ambient - Evaporator Temperature (°F)

Order Number	HP	+30	+25	+20	+15	+10	+5	0	-5	-10	-15	-20	-25
FJAF-022Z	2 1/4	26,500	24,200	22,600	20,880	19,380	17,775	16,250	14,580	13,150	11,720	10,575	9,320
FJAF-025Z	2 1/2	31,475	28,600	26,490	24,470	22,550	20,720	18,980	17,340	15,540	14,000	12,700	11,325
FJAF-035Z	3	40,600	37,560	34,300	31,200	28,300	25,800	23,250	21,030	18,950	16,760	14,925	13,300
FJAF-040Z	4	47,090	43,670	39,980	36,180	33,300	30,560	27,950	25,500	23,175	20,655	18,670	16,560
FJAF-050Z	5	53,775	49,980	45,890	42,445	38,435	35,680	32,700	29,890	26,975	24,055	21,710	19,160

SPECIFICATIONS

Order Number	L x W x H (in)	Liquid	Suction	Capacity	Air Flow	Ship Weight (lbs)	Compressor
FJAF-022Z	25.1 x 34.1 x 18.9	3/8 S	1 1/8 S	10.3	2,420	245	ZS21K4E
FJAF-025Z	25.1 x 34.1 x 18.9	3/8 S	1 1/8 S	10.3	2,420	250	ZS26K4E
FJAF-035Z	28.6 x 44.1 x 26.9	1/2 S	1 1/8 S	16.5	4,560	360	ZS30K43
FJAF-040Z	28.6 x 44.1 x 26.9	1/2 S	1 1/8 S	16.5	4,560	375	ZS38K4E
FJAF-050Z	28.6 x 44.1 x 26.9	1/2 S	1 1/8 S	16.5	4,560	390	ZS45K4E

ELECTRICAL DATA

Order Number	208/230/1/60				208/230/3/60				575/3/60			
	RLA	LRA	MCA	Fuse	RLA	LRA	MCA	Fuse	RLA	LRA	MCA	Fuse
FJAF-022Z	16.4	88.0	26.3	35	11.1	70.0	17.0	20	4.3	31.0	6.7	15
FJAF-025Z	17.9	109.0	25.5	35	13.6	88.0	20.1	20	5.0	34.0	7.6	15
FJAF-035Z	24.8	129.1	35.1	50	15.0	99.0	22.8	30	8.2	40.0	12.3	15
FJAF-040Z	27.9	169.0	39.0	60	21.4	123.0	30.8	40	7.9	50.0	12.0	15
FJAF-050Z	-	-	-	-	23.9	156.0	34.0	45	-	-	-	-

Electrical Codes

IAA	115V	TFC	208/230/3/60
IAV	208/230/1/60	TFD	460/3/60
CFV	208/230/1/60		

D-LINE AIR-COOLED SCROLL CONDENSING UNITS

LOW TEMPERATURE - 1 1/2 HP TO 6 HP

FOR USE WITH R404A / R507

CAPACITIES



Capacity BTU/hr @ 90°F Ambient - Evaporator Temperature

Order Number	HP	0	-5	-10	-15	-20	-25	-30	-35	-40
DJAL-015Z	1 1/2	11,800	10,700	9,730	8,770	7,870	7,020	6,220	5,460	4,750
DJAL-020Z	2	14,600	13,300	12,100	10,900	9,780	8,740	7,770	6,870	6,040
DJAL-022Z	2 1/4	15,600	14,300	13,000	11800	10600	9560	8,540	7,580	6,680
DJAL-026Z	2 1/2	20400	18600	16800	15200	13,600	12,200	10,800	9,580	8,420
DJAL-030Z	3 1/2	22,900	20,900	18,900	17,100	15,300	13,600	12,100	10,600	9,280
DJAL-041Z	4	29,200	26,500	24,000	21,600	19,400	17,300	15,400	13,700	12,000
DJAL-051Z	5	34,400	31,400	28,400	25,700	23,100	20,700	18,500	16,300	14,300
DJAL-060Z	6	40,900	37,300	33,900	30,600	27,600	24,700	22,000	19,400	17,000

SPECIFICATIONS

Connecting Lines (in)

Order Number	L x W x H (in)	Liquid	Suction	Pump Down Capacity	Compressor	Ship Weight (lbs)
DJAL-015Z	25.2 x 34.3 x 19	3/8 SWT	7/8 SWT	15.2	ZF06K4E	220
DJAL-020Z	25.2 x 34.3 x 19	3/8 SWT	7/8 SWT	15.2	ZF08K4E	222
DJAL-022Z	25.2 x 34.3 x 19	3/8 SWT	7/8 SWT	15.2	ZF09K4E	222
DJAL-026Z	25.2 x 34.3 x 19	3/8 SWT	1 1/8 SWT	17.2	ZF11K4E	235
DJAL-030Z	25.2 x 34.3 x 19	3/8 SWT	1 1/8 SWT	17.2	ZF13K4E	254
DJAL-041Z	28.2 x 44.1 x 26.8	1/2 SWT	1 1/8 SWT	29.4	ZF15K4E	339
DJAL-051Z	28.2 x 44.1 x 26.8	1/2 SWT	1 1/8 SWT	29.4	ZF18K4E	342
DJAL-060Z	28.2 x 44.1 x 26.8	1/2 SWT	1 1/8 SWT	29.4	ZF24K4E	476

ELECTRICAL DATA

Order Number	208-230/1/60		208-230/3/60		460/3/60	
	MCA	Max Fuse	MCA	Max Fuse	MCA	Max Fuse
DJAL-015Z	19.3	30	13.9	20	6.8	15
DJAL-020Z	22.8	35	14.4	20	7.7	15
DJAL-022Z-CFV, TFC, TFC	22.8	35	16.2	20	8.6	15
DJAL-026Z-CFV, TFC, TFD	28.7	45	19.3	30	12.1	15
DJAL-030Z-CFV, TFC, TFD	36.3	60	21.6	30	13.5	15
DJAL-041Z-CFV, TFC, TFD	43.7	70	30.4	45	14.4	20
DJAL-051Z-TFC, TFD	-	-	33.5	50	14.0	20
DJAL-060Z	-	-	41.1	60	22.0	35

COPELAND

F-LINE AIR-COOLED SCROLL CONDENSING UNITS

MEDIUM TEMPERATURE - 1 1/2 HP TO 10 HP

FOR USE WITH R404A / R507

CAPACITIES



Capacity BTU/hr @ 90°F Ambient - Evaporator Temperature (°F)

Order Number	HP	0	10	15	20	25
FJAM-A15Z	1 1/2	7,730	9,620	10,600	11,600	12,700
FJAM-A20Z	2	11,200	13,700	15,000	16,400	17,900
FJAM-A25Z	2 1/2	14,300	17,500	19,200	21,000	22,900
FJAM-A30Z	3	16,700	20,400	22,300	24,400	26,600
FJAM-A35Z	3 1/2	18,900	23,100	25,200	27,500	29,900
FJAM-A40Z	4	23,400	28,700	31,500	34,600	37,800
FJAM-A50Z	5	28,500	34,800	38,200	41,800	45,600
FJAM-A60Z	6	33,100	40,300	44,100	48,200	52,400
FPAN-A70Z	7	37,700	46,800	51,500	56,500	61,700
FPAN-A80Z	8	40,600	50,400	55,500	60,800	66,200
FPAN-091Z	9	48,600	59,000	64,400	70,100	76,000
FPAN-101Z	10	56,500	67,800	73,800	80,000	86,400

SPECIFICATIONS

Connecting Lines SWT (in)

Order Number	L x W x H (in)	Suction	Liquid	Pump Down Capacity	Compressor	Air Flow CFM	Ship Weight (lbs)
FJAM-A15Z	24 x 18.3 x 16.3	3/8	7/8	8.9	ZB11KCE		116
FJAM-A20Z	25.2 x 34 x 19	3/8	7/8	15.2	ZB15KCE		220
FJAM-A25Z	25.2 x 34 x 19	3/8	1 1/8	17.2	ZB19KCE		220
FJAM-A30Z	25.2 x 34 x 19	3/8	1 1/8	17.2	ZB21KCE		235
FJAM-A35Z	25.2 x 34 x 19	3/8	1 1/8	17.2	ZB26KCE		235
FJAM-A40Z	28.2 x 44.1 x 26.8	1/2	1 1/8	29.4	ZB30KCE		337
FJAM-A50Z	28.2 x 44.1 x 26.8	1/2	1 1/8	29.4	ZB38KCE		339
FJAM-A60Z	28.2 x 44.1 x 26.8	1/2	1 1/8	29.4	ZB45KCE		342
FPAN-A70Z	28.5 x 44 x 36.8	5/8	1 3/8	60.4	ZB50KCE		495
FPAN-A80Z	28.5 x 44 x 36.8	5/8	1 3/8	60.4	ZB58KCE		497
FPAN-091Z	28.5 x 44 x 36.8	5/8	1 3/8	60.4	ZB66KCE		498
FPAN-101Z	28.5 x 44 x 36.8	5/8	1 3/8	67.8	ZB76KCE		528

ELECTRICAL DATA

Order Number	208/230/1/60		208/230/3/60		460/3/60	
	MCA	Max Fuse	MCA	Max Fuse	MCA	Max Fuse
FJAM-A15Z	13.9	20	-	-	-	-
FJAM-A20Z	21.9	35	13.4	20	7.7	15
FJAM-A25Z	25.2	40	15.3	20	9.5	15
FJAM-A30Z	28.7	45	17.9	25	10.8	15
FJAM-A35Z	32.3	50	20.2	30	12.1	15
FJAM-A40Z	37.1	60	23.2	35	11.8	15
FJAM-A50Z	42.5	60	31.2	45	14.4	20
FJAM-A60Z	-	-	31.7	50	16.8	25
FPAN-A70Z	-	-	44.8	60	23.2	30
FPAN-A80Z	-	-	49.1	70	24.9	35
FPAN-091Z	-	-	51.0	70	36.3	35
FPAN-101Z	-	-	60.8	90	28.4	40

F-LINE AIR-COOLED SCROLL CONDENSING UNITS

HIGH TEMPERATURE - 1 HP TO 10 HP

FOR USE WITH R134A

CAPACITIES



Capacity BTU/hr @ 90°F Ambient - Evaporator Temperature (°F)

Order Number	HP	10	15	20	25	30	35	40	45
FTAH-A13Z	1.0	8030	9,030	10,100	11,200	12,400	13,600	14,900	16,300
FTAH-A15Z	1.5	9350	10,500	11,800	13,100	14,500	16,000	17,500	19,000
FTAH-A20Z	2.0	12,000	13,600	15,200	17,000	18,800	20,800	22,800	24,900
FTAH-A25Z	2.5	13,700	15,400	17,200	19,200	21,300	23,400	25,700	28,000
FTAH-A30Z	3.0	16,300	18,400	20,600	23,100	25,600	28,300	31,100	34,000
FTAH-A35Z	3.5	19,800	22,200	24,900	27,800	30,800	33,900	37,100	40,500
FTAH-A45Z	4.5	24,900	28,000	31,400	35,000	38,800	42,800	47,100	51,500
FTAH-A50Z	5.0	27,400	30,700	34,200	38,000	42,000	46,200	50,700	55,500
FPAN-070Z	7.0	28,000	31,400	35,000	39,000	43,100	47,600	52,300	57,400
FPAN-080Z	8.0	31,000	34,800	38,800	43,100	47,700	52,600	57,900	63,400
FPAN-091Z	9.0	35,600	39,900	44,500	49,400	54,600	60,200	66,000	72,200
FPAN-101Z	10.0	40,000	44,700	49,800	55,300	61,100	67,300	73,900	80,800

SPECIFICATIONS

Connecting Lines SWT (in)

Order Number	L x W x H (in)	Suction	Liquid	Pump Down Capacity (lbs)	Compressor	Ship Weight (lbs)
FTAH-A13Z	24 x 18.3 x 16.3	7/8	3/8	10.4	ZB15KCE	135
FTAH-A15Z	24 x 18.3 x 16.3	7/8	3/8	10.4	ZB19KCE	135
FTAH-A20Z	25.2 x 34 x 19	7/8	3/8	17.8	ZB21KCE	235
FTAH-A25Z	25.2 x 34 x 19	7/8	3/8	17.8	ZB26KCE	235
FTAH-A30Z	25.2 x 34 x 19	1 1/8	3/8	20.1	ZB30KCE	254
FTAH-A35Z	25.2 x 34 x 19	1 1/8	3/8	20.1	ZB38KCE	255
FTAH-A45Z	28.2 x 44.1 x 26.8	1 1/8	1/2	34.4	ZB45KCE	329
FTAH-A50Z	28.2 x 44.1 x 26.8	1 1/8	1/2	34.4	ZB50KCE	375
FPAN-070Z	28.5 x 44 x 36.8	1 3/8	5/8	70.6	ZB50KCE	495
FPAN-080Z	28.5 x 44 x 36.8	1 3/8	5/8	70.6	ZB58KCE	497
FPAN-091Z	28.5 x 44 x 36.8	1 3/8	5/8	70.6	ZB60KCE	498
FPAN-101Z	28.5 x 44 x 36.8	1 3/8	5/8	79.2	ZB76KCE	528

ELECTRICAL DATA

Order Number	208/230/1/60		208/230/3/60		460/3/60	
	MCA	Max Fuse	MCA	Max Fuse	MCA	Max Fuse
FJAM-A15Z	21.0	35	12.5	20	-	-
FJAM-A20Z	23.8	40	13.9	20	-	-
FJAM-A25Z	28.2	45	17.4	25	9.1	15
FJAM-A30Z	31.8	50	19.7	30	10.4	15
FJAM-A35Z	36.3	60	22.4	35	11.1	15
FJAM-A40Z	41.7	60	30.4	45	13.7	20
FJAM-A50Z	-	-	31.7	50	16.8	25
FJAM-A60Z	-	-	39.4	60	21.2	30
FPAN-A70Z	-	-	44.8	60	23.2	30
FPAN-A80Z	-	-	49.1	70	24.9	35
FPAN-091Z	-	-	51.0	70	26.3	35
FPAN-101Z	-	-	60.8	90	28.4	40

COPELAND

M + F LINE WATER-COOLED CONDENSING UNITS

HIGH/MEDIUM TEMPERATURE - 1/4 HP TO 5 HP

FOR USE WITH R134A, R404A AND R22



CAPACITIES

Capacity BTU/hr @ 75°F Inlet Water - Evaporator Temperature (°F)

Order Number	Ref	HP	0	+10	+15	+20	+25	+30	+35	+40	+45
R134A											
M2WH-C026	R134A	1/4	-	1,350	1,610	1,870	2,140	2,430	2,740	3,070	3,440
M2WH-C033	R134A	1/3	-	1,800	2,200	2,600	3,010	3,440	3,890	4,370	4,880
M2WH-C049	R134A	1/2	-	2,500	2,940	3,420	3,920	4,450	5,030	5,660	6,340
M2WH-C050	R134A	1/2	-	2,950	3,500	4,080	4,700	5,360	6,060	6,820	7,640
M2WH-C056	R134A	1/2	-	3,220	3,830	4,470	5,140	5,860	6,630	7,460	8,350
FTWH-C074	R134A	3/4	-	4,260	4,940	5,690	6,530	7,490	8,580	9,820	11,250
FPWN-C150	R134A	1	-	5,180	6,350	7,660	9,120	10,700	12,410	14,250	16,200
FPWN-C225	R134A	1 1/4	-	7,220	8,790	10,550	12,500	14,670	17,090	19,760	22,730
FPWN-C300	R134A	1 1/2	-	9,110	11,100	13,300	15,770	18,510	21,560	24,940	28,670
FPWN-C325	R134A	2	-	10,310	12,550	15,050	17,840	20,940	24,380	28,210	32,430
R404A											
M4WH-C025	R404A	1/4	-	1,990	2,210	2,460	2,730	3,020	3,350	3,710	4,100
M4WH-C036	R404A	1/3	-	2,480	2,800	3,150	3,550	3,990	4,480	5,040	5,670
M4WH-C050	R404A	1/2	-	3,500	3,940	4,450	5,030	5,720	6,520	7,450	8,520
FJWM-C056	R404A	1/2	3,270	4,490	5,230	6,070	7,010	-	-	-	-
FJWM-C078	R404A	3/4	4,200	5,580	6,360	7,210	8,130	-	-	-	-
FJWM-C106	R404A	1	5,390	6,950	7,810	8,740	9,730	-	-	-	-
FJWM-C125	R404A	1 1/4	5,730	7,500	8,510	9,640	10,910	-	-	-	-
FJWM-C126	R404A	1 1/4	6,970	9,000	10,130	11,360	12,670	-	-	-	-
FPWM-C150	R404A	1 1/2	7,760	10,070	11,390	12,800	14,400	16,310	-	-	-
FJWM-C200	R404A	2	9,340	12,860	14,820	16,910	19,110	-	-	-	-
FPWM-C225	R404A	2 1/4	11,350	15,250	17,390	19,640	21,990	-	-	-	-
FPWM-C300	R404A	3	14,190	19,600	22,540	25,590	28,730	-	-	-	-
FPWM-C325	R404A	3 1/4	15,910	21,520	24,880	28,700	30,060	-	-	-	-
FJWM-C400	R404A	4	21,350	29,240	33,640	38,360	43,380	-	-	-	-
FPWM-C500	R404A	5	24,920	33,450	38,630	43,750	49,650	-	-	-	-
R22											
MCWH-C027	R22	1/4	-	1,980	2,260	2,570	2,910	3,300	3,730	4,200	4,730
MCWH-C036	R22	1/3	-	2,390	2,720	3,090	3,490	3,920	4,400	4,910	5,470
MCWH-C049	R22	1/2	-	3,250	3,690	4,160	4,680	5,240	5,830	6,450	7,110
MCWH-C056	R22	1/2	-	3,730	4,230	4,780	5,390	6,090	6,870	7,770	8,790
F3WH-C078	R22	3/4	-	4,550	5,310	6,110	6,980	7,910	8,920	10,020	11,200
F3WH-C100	R22	1	-	5,330	6,480	7,510	8,630	9,820	11,190	12,650	14,250
F3WM-C105	R22	1	-	6,480	7,630	8,860	10,180	-	-	-	-
F3WD-C151	R22	1 1/2	-	7,670	9,090	10,650	12,350	14,200	16,210	18,380	20,710
F3WD-C201	R22	2	-	10,790	12,670	14,760	17,060	19,570	22,280	25,200	28,330
F3WD-C225	R22	2 1/4	-	12,470	14,780	17,270	19,940	22,820	25,910	29,220	32,770
F3WD-C301	R22	3	-	17,590	20,580	23,800	27,260	30,980	34,950	39,200	43,720
F3WD-C325	R22	3 1/4	-	19,490	22,690	26,080	29,740	33,730	38,100	42,930	48,270
F3WD-C401	R22	4	-	22,530	28,350	33,360	38,600	44,110	49,960	56,170	62,810
F3WD-C501	R22	5	-	29,930	35,020	40,370	46,040	52,130	58,700	65,850	73,640

M + F LINE WATER-COOLED CONDENSING UNITS

HIGH/MEDIUM TEMPERATURE - 1/4 HP TO 5 HP

FOR USE WITH R134A, R404A AND R22



SPECIFICATIONS

Order Number	Compressor	Refrigeration Connections (in)		Water Connections (in)		L x W x H (in)	Weight (lbs)
		Suction	Discharge	Inlet	Outlet		
R134A							
M2WH-0026-IAA	ARE27C3E	3/8 F	1/4 F	3/8 FPT	3/8 ID	17.4 x 12.2 x 10.2	46
M2WH-A033-IAA, IAV	ARE37C3E	3/8 F	1/4 F	3/8 FPT	3/8 ID	17.4 x 12.2 x 10.2	51
M2WH-0049-IAA, IAV	ART51C1E	3/8 F	1/4 F	3/8 FPT	3/8 ID	17.4 x 12.2 x 10.2	50
M2WH-C050-IAA, IAV	ART62C1E	3/8 F	1/4 F	3/8 FPT	3/8 ID	17.4 x 12.2 x 10.2	51
M2WH-C056-IAA, IAV	ART64C1E	3/8 F	1/4 F	3/8 FPT	3/8 ID	17.4 x 12.2 x 10.2	57
FTWH-C074-IAA, IAV	RR81C2E	5/8 RF	3/8 F	3/8 FPT	3/8 ID	17.4 x 13.4 x 12.1	93
FPWN-C150-CFV, TFC	CS10K6E	7/8 RS	3/8 F	3/8 FPT	5/8 OD	24 x 18 x 15	144
FPWN-C225-CFV, TFC	CS14K6E	7/8 RS	3/8 F	3/8 FPT	5/8 OD	24 x 18 x 15	210
FPWN-C300-CFV, TFC	CS18K6E	1 1/8 RS	3/8 F	3/8 FPT	5/8 OD	24 x 18 x 15	236
FPWN-C325-CFV, TFC	CS20K6E	1 1/8 RS	3/8 F	3/8 FPT	5/8 OD	25 x 21.2 x 15.4	239
R404A							
M4WH-C025-IAA	ASE19C3E	3/8 F	1/4 F	3/8 FPT	3/8 ID	17.4 x 12.2 x 10.2	46
M4WH-C036-IAA, IAV	ASE24C3E	3/8 F	1/4 F	3/8 FPT	3/8 ID	17.4 x 12.2 x 10.2	51
M4WH-C050-CAA, CAV	ASE32C3E	3/8 F	1/4 F	3/8 FPT	3/8 ID	17.4 x 12.2 x 10.2	51
FJWM-C056-IAA, IAV	RS43C2E	5/8 RF	1/4 F	3/8 FPT	3/8 ID	17.4 x 13.4 x 12.1	90
FJWM-C078-CAA, CAV	RS55C2E	5/8 RF	3/8 F	3/8 FPT	3/8 ID	24 x 16.8 x 12.3	98
FJWM-C106-CAV	RS64C2E	7/8 RS	3/8 F	3/8 FPT	3/8 ID	24.1 x 16.8 x 12.3	106
FJWM-C125-CFV, TFC	RS70C1E	7/8 RS	3/8 F	3/8 FPT	3/8 ID	24 x 17.3 x 12.8	128
FJWM-C126-CAV, TFC	RS80C2E	7/8 RS	3/8 F	3/8 FPT	1/2 OD	24 x 17.3 x 12.8	128
FPWN-C150-CFV, TFC	CS10K6E	7/8 RS	3/8 F	3/8 FPT	5/8 OD	24 x 18 x 15	144
FJWM-C200-CFV, TFC	CS12K6E	7/8 RS	3/8 F	3/8 FPT	5/8 OD	24 x 18 x 15	210
FPWN-C225-CFV, TFC	CS14K6E	7/8 RS	3/8 F	3/8 FPT	5/8 OD	24 x 18 x 15	210
FPWN-C300-CFV, TFC	CS18K6E	1 1/8 RS	3/8 F	3/8 FPT	5/8 OD	24 x 18 x 15	236
FPWN-C325-CFV, TFC	CS20K6E	1 1/8 RS	3/8 F	3/8 FPT	3/4 OD	25 x 21.2 x 15.4	239
FJWM-C400-CFV, TFC	CS27K6E	1 1/8 RS	1/2 S	3/8 FPT	1 1/8 OD	25 x 21.2 x 18.4	373
FPWN-C500-CFV, TFC	CS33K3E	1 1/8 RS	1/2 S	1/2 FPT	1 1/8 OD	25 x 21.2 x 18.4	373
R22							
MCWH-C027-IAA	ARE36C3	3/8 F	1/4 F	3/8 FPT	3/8 ID	17.4 x 12.2 x 10.2	46
MCWH-C036-IAA	ARE43C3	3/8 F	1/4 F	3/8 FPT	3/8 ID	17.4 x 12.2 x 10.2	51
MCWH-C049-CAA, CAV	ARE59C3	3/8 F	1/4 F	3/8 FPT	3/8 ID	17.4 x 12.2 x 10.2	54
MCWH-C056-IAA, IAV	ART69C1	3/8 F	1/4 F	3/8 FPT	3/8 ID	17.4 x 12.2 x 10.2	66
F3WH-C078-IAA, IAV	RS47C2	5/8 RF	3/8 F	3/8 FPT	3/8 ID	24 x 16.7 x 12.1	102
F3WH-C100-CAV	RRG4-0100	5/8 RF	3/8 F	3/8 FPT	3/8 ID	24 x 16.8 x 12.3	117
F3WD-C151-CFV, TFC, TFD	CRA1-0150	7/8 RS	3/8 F	3/8 FPT	5/8 OD	24 x 18 x 15	131
F3WD-C201-CFV, TFC, TFD	CRD1-0200	7/8 RS	3/8 F	3/8 FPT	5/8 OD	24 x 18 x 16.8	170
F3WD-C225-CFV, TFC, TFD	CRE2-0225	7/8 RS	3/8 F	3/8 FPT	5/8 OD	24 x 18 x 17	176
F3WM-C105-CFV, TFC	RS70C1	7/8 RS	3/8 F	3/8 FPT	1/2 OD	24 x 17.3 x 12.8	120
F3WD-C301-CFV, TFC	CR37KQ	1 1/8 RS	3/8 F	1/2 FPT	3/4 OD	25 x 21 x 17.6	190
F3WD-C325-TFC	CR41KQ	1 1/8 RS	3/8 F	1/2 FPT	3/4 OD	25 x 21 x 17.6	201
F3WD-C401-CFV, TFC	CRM3-0400	1 1/8 RS	1/2 S	1/2 FPT	1 1/8 OD	25 x 21.2 x 18.4	267
F3WD-C501-CFV, TFC	CRN5-0500	1 1/8 RS	1/2 S	3/4 FPT	1 1/8 OD	25 x 21.2 x 18.4	270

Electrical Codes

IAA	115V
IAV	208/230/1/60
CFV	208/230/1/60
TFC	208/230/3/60
TFD	460/3/60

COPELAND

M + F LINE WATER-COOLED CONDENSING UNITS

HIGH/MEDIUM TEMPERATURE - 1/4 HP TO 5 HP



ELECTRICAL DATA

Minimum Circuit Capacity / Maximum Fuse Size

Order Number	BOM	115/1/60	Fuse	230/1/60	Fuse	230/3/60	Fuse	460/3/60	Fuse
R134A									
M2WH-0026-IAA	001	6.3	15	-	-	-	-	-	-
M2WH-A033-IAA, IAV	001	9.0	15	4.3	15	-	-	-	-
M2WH-0049-IAA, IAV	001	11.6	20	6.0	15	-	-	-	-
M2WH-C050-IAA, IAV	001	13.8	20	6.7	15	-	-	-	-
M2WH-C056-IAA, IAV	001	13.8	20	7.8	15	-	-	-	-
FTWH-C074-IAA, IAV	001	16.6	25	9.7	15	-	-	-	-
FTWM-C075-IAA, IAV	001	14.8	25	8.5	15	-	-	-	-
FPWN-C150-CFV, TFC	001	-	-	13.6	20	9.4	15	4.5	15
FPWN-C225-CFV, TFC	001	-	-	15.5	25	11.4	20	5.9	15
FPWN-C300-CFV, TFC	001	-	-	20.0	35	13.0	20	5.9	15
FPWN-C325-CFV, TFC	001	-	-	23.3	40	14.3	25	6.4	15
FPWN-C500-CFV, TFC	001	-	-	38.4	60	25.9	45	12.4	20
R404A									
M4WH-C025-IAA	001	10.0	15	-	-	-	-	-	-
M4WH-C036-IAA, IAV	001	9.8	15	5.2	15	-	-	-	-
M4WH-C050-CAA, CAV	001	11.5	20	6.1	15	-	-	-	-
FJWM-C056-IAA, IAV	001	12.6	20	7.1	15	-	-	-	-
FJWM-C078-CAA, CAV	001	16.5	25	7.6	15	-	-	-	-
FJWM-C106-CAV	001	-	-	9.6	15	-	-	-	-
FJWM-C125-CFV, TFC	001	-	-	8.8	15	5.9	15	-	-
FJWM-C126-CAV, TFC	001	-	-	12.1	20	8.0	15	-	-
FPWN-C150-CFV, TFC	001	-	-	13.6	20	9.4	15	4.5	15
FJWM-C200-CFV, TFC	001	-	-	13.6	20	9.4	15	-	-
FPWN-C225-CFV, TFC	001	-	-	15.5	25	11.4	20	5.9	15
FPWN-C300-CFV, TFC	001	-	-	20.0	35	13.0	20	5.9	15
FPWN-C325-CFV, TFC	001	-	-	23.3	40	14.3	25	6.4	15
FJWM-C400-CFV, TFC	001	-	-	29.4	50	TBD	-	TBD	-
FPWN-C500-CFV, TFC	001	-	-	38.4	60	25.9	45	12.4	20
R22									
MCWH-C027-IAA	001	8.4	15	-	-	-	-	-	-
MCWH-C036-IAA	001	8.9	15	-	-	-	-	-	-
MCWH-C049-CAA, CAV	001	10.0	15	5.0	15	-	-	-	-
MCWH-C056-IAA, IAV	001	14.3	25	7.6	15	-	-	-	-
F3WH-C078-IAA, IAV	001	17.9	30	8.9	15	-	-	-	-
F3WH-C100-CAV	001	-	-	9.6	15	-	-	-	-
F3WM-C105-CFV, TFC	001	-	-	8.8	15	5.9	15	-	-
F3WD-C151-CFV, TFC	001	-	-	13.5	20	11.6	20	5.1	15
F3WD-C201-CFV, TFC	001	-	-	16.8	30	10.9	15	5.3	15
F3WD-C225-CFV, TFC	001	-	-	19.1	30	13.3	20	5.6	15
F3WD-C301-CFV, TFC	001	-	-	23.2	40	13.9	20	7.0	15
F3WD-C325-CFV, TFC	001	-	-	35.7	40	24.9	25	7.4	15
F3WD-C401-CFV, TFC	001	-	-	41.9	60	25.9	40	10.8	15
F3WD-C501-CFV, TFC	001	-	-	46.4	70	30.3	42	12.0	20

M + F LINE WATER-COOLED CONDENSING UNITS

LOW TEMPERATURE - 1/4 HP TO 4 HP

FOR USE WITH R134A AND R404A



CAPACITIES

Capacity BTU/hr @ 75°F Inlet Water - Evaporator Temperature (°F)

Order Number	Ref	HP	-30	-25	-20	-15	-10	0
M2WL-A025	R134A	1/4	-	720	830	960	1,120	1,480
M2WL-B033	R134A	1/3	-	880	1,120	1,380	1,660	2,300
M4WL-C033	R404A	1/3	-	860	1,070	1,090	1,530	2,050
M4WL-C040	R404A	1/2	-	1,240	1,490	1,760	2,050	2,700
M4WL-C051	R404A	1/2	-	1,360	1,670	2,020	2,400	3,260
M4WL-C067	R404A	1/2	-	2,180	2,550	2,970	3,450	4,630
FJWL-C075	R404A	3/4	-	2,240	2,800	3,390	4,020	5,390
FJWL-C101	R404A	1	-	3,170	3,760	4,430	5,150	6,810
FJWL-C200	R404A	2	3,630	5,010	6,370	7,730	9,090	12,030
FJWL-C301	R404A	3	5,440	7,520	9,560	11,590	13,630	18,040
FJWL-C390	R404A	4	8,330	10,500	12,800	15,200	17,700	23,400

SPECIFICATIONS

Refrigeration Connections (in) Water Connections (in)

Order Number	Compressor	Suction	Discharge	Inlet	Outlet	L x W x H (in)	Net Weight (lbs)
M2WL-A025-IAA	AFE10C3	3/8 F	1/4 F	3/8 FPT	3/8 ID	20 x 17.6 x 10.1	98
M2WL-B033-IAA	AFT12C1E	3/8 F	1/4 F	3/8 FPT	3/8 ID	20 x 17.6 x 10.1	98
M4WL-0033-IAA	AFT11C3E	3/8 F	1/4 F	3/8 FPT	3/8 ID	20 x 17.6 x 10.1	98
M4WL-0040-IAA	AFE13C3E	3/8 F	1/4 F	3/8 FPT	3/8 ID	20 x 17.6 x 10.1	98
M4WL-0051-IAA	AFT18C1E	1/2 F	1/4 F	3/8 FPT	3/8 ID	20 x 17.6 x 10.1	98
M4WL-0067-CFA	AFT26C1E	1/2 F	1/4 F	3/8 FPT	3/8 ID	20 x 17.6 x 10.1	98
FJWL-A075-CAA, IAV	RS64C2E	5/8 RF	3/8 F	3/8 FPT	3/8 ID	24 x 16.7 x 12.1	132
FJWL-A101-CAV, TFC	RS80C2E	5/8 RF	3/8 F	3/8 FPT	3/8 ID	24.3 x 17.6 x 12.8	132
FJWL-B200-CFV, TFC	CF06K6E	7/8 RS	3/8 F	3/8 FPT	3/8 ID	24.3 x 17.6 x 15	148
FJWL-B301-CFV, TFC	CF09K6E	7/8 RS	3/8 F	3/8 FPT	1/2 OD	25 x 23.3 x 18.4	239
FJWL-C390-CFV, TFC	CF12K6E	7/8 RS	1/2 S	1/2 OD	1/2 OD	25 x 21 x 21.1	150

ELECTRICAL DATA

Minimum Circuit Capacity / Maximum Fuse Size

Order Number	BOM	115/1/60	Fuse	230/1/60	Fuse	230/3/60	Fuse	460/3/60	Fuse
M2WL-A025-IAA	001	6.8	15	-	-	-	-	-	-
M2WL-B033-IAA	001	7.0	15	-	-	-	-	-	-
M4WL-0033-IAA	001	8.0	15	-	-	-	-	-	-
M4WL-0040-IAA	001	7.9	15	-	-	-	-	-	-
M4WL-0051-IAA	001	10.5	15	-	-	-	-	-	-
M4WL-0067-CFA	001	10.2	15	-	-	-	-	-	-
FJWL-A075-CAA, IAV	001	19.7	30	12.0	20	-	-	-	-
FJWL-A101-CAV, TFC	001	-	-	12.5	20	8.7	15	-	-
FJWL-B200-CFV, TFC	001	-	-	18.4	25	TBD	-	TBD	-
FJWL-B301-CFV, TFC	001	-	-	20.5	35	TBD	-	TBD	-
FJWL-C390-CFV, TFC	020	-	-	26.2	45	15.9	25	TBD	-

Electrical Codes

IAA	115V
IAV	208/230/1/60
CFV	208/230/1/60
TFC	208/230/3/60
TFD	460/3/60

COPELAND

F-LINE SCROLL WATER-COOLED CONDENSING UNITS

MEDIUM / LOW TEMPERATURE - 2 1/4 HP TO 5 HP

FOR USE WITH R404A / R507



CAPACITIES

Capacity BTU/hr at 75°F Inlet Water - Evaporator Temperature (°F)

Order Number	HP	+25	+20	+15	+10	+5	0	-5	-10	-15	-20	-25
FJWF-C22Z	2 1/4	27,680	25,125	22,750	20,550	18,520	16,650	14,935	13,360	11,910	10,585	9,370
FJWF-C25Z	2 1/2	34,400	31,200	28,250	25,500	22,980	20,650	18,510	16,560	14,780	13,170	11,720
FJWF-C35Z	3 1/3	40,240	36,530	33,000	29,680	26,560	23,675	21,030	18,650	16,540	14,730	13,230
FJWF-C40Z	4	49,130	44,575	40,345	36,420	32,790	29,450	26,380	23,565	21,000	18,670	16,560
FJWF-C50Z	5	58,650	53,225	48,210	43,590	39,330	35,410	31,805	28,485	25,430	22,610	20,000

SPECIFICATIONS

Order Number	L x W x H (in)	Connecting Lines (in)			Receiver Capacity	Water Connections (in)		Ship Weight (lbs)	Compressor
		Liquid	Suction			Inlet	Outlet		
FJWF-C22Z	24 x 16.9 x 18	3/8 F	7/8 S	5.3	3/8 FP	5/8 S	165	ZS21K4E	
FJWF-C25Z	25 x 21 x 19.4	3/8 F	1 1/8 S	10.3	1/2 FP	5/8 S	192	ZS23K4E	
FJWF-C35Z	25 x 21 x 20.8	3/8 F	1 1/8 S	10.3	1/2 FP	5/8 S	201	ZS30K4E	
FJWF-C40Z	25.5 x 21 x 21.1	3/8 F	1 1/8 S	10.3	1 FP	1 1/8 S	268	ZS38K4E	
FJWF-C50Z	25.5 x 21 x 21.6	3/8 F	1 1/8 S	10.3	1 FP	1 1/8 S	270	ZS45K4E	

ELECTRICAL DATA

Order Number	208-230/1/60				208-230/3/60				575/3/60			
	RLA	LRA	MCA	Fuse	RLA	LRA	MCA	Fuse	RLA	LRA	MCA	Fuse
FJWF-C22Z	16.4	88.0	20.5	35	11.1	70.0	13.9	20	4.3	31.0	5.4	15
FJWF-C25Z	17.9	109.0	22.4	35	13.6	88.0	17.0	25	5.0	34.0	6.3	15
FJWF-C35Z	24.8	129.0	31.0	50	15.0	99.0	18.8	25	8.2	40.0	10.3	15
FJWF-C40Z	27.9	169.0	34.9	60	24.4	123.0	26.8	40	7.9	50.0	9.9	15
FJWF-C50Z	-	-	-	-	23.9	156.0	29.9	45	-	-	-	-

Electrical Codes

IAA	115V
IAV	208/230/1/60
CFV	208/230/1/60
TFC	208/230/3/60
TFD	460/3/60

C-LINE COPELAMETIC AIR-COOLED CONDENSING UNITS

HIGH / MEDIUM TEMPERATURE - 3/4 HP TO 10 HP

FOR USE WITH R22



CAPACITIES

Capacity BTU/hr @ 90°F Ambient - Evaporator Temperature

Order Number	Compressor	HP	+45	+40	+35	+30	+25	+20	+15	+10	0
C3AM-0075	KAE*-0075	3/4	-	-	-	-	7,430	6,630	6,010	5,190	4,450
C8AJ-0075	KAN*-0075	3/4	8,960	8,190	7,460	6,770	6,110	5,490	4,910	4,370	3,410
C8AJ-0100	KAR*-0100	1	11,930	10,980	10,060	9,170	8,320	7,510	6,740	6,020	4,750
C3AM-0101	KAM*-0100	1	-	-	-	-	10,400	9,380	8,430	7,530	5,920
C3AH-0150	KAG*-0150	1 1/2	16,600	15,100	13,800	12,500	11,300	10,100	9,060	8,060	-
C3AM-0202	ERC*-0200	2	-	-	-	-	17,800	16,000	14,500	13,100	10,400
C8AJ-0200	-	2	21,490	19,690	18,010	16,400	14,870	13,410	11,990	10,600	7,820
C8AM-0202	ERC*-021E	2	-	-	-	-	17,270	15,450	13,740	12,160	9,380
C3AH-0303	ERF*-0310	3	38,150	35,150	32,350	29,600	26,750	24,400	21,850	19,700	-
C3AM-0303	3RA*-0310	3	-	-	-	-	32,000	28,800	25,900	23,200	18,000
C8AJ-0300	CRF*-031E	3	38,300	35,000	31,910	28,990	26,260	23,690	21,280	19,030	14,950
C8DJ-0500	2DC*-050E	5	59,970	54,840	49,990	45,360	40,970	36,820	32,890	29,160	-
C8DJ-0501	2DD*-050E	5	66,970	61,490	56,290	51,280	46,500	41,950	37,620	33,500	-
C8DJ-0750	2DA*-075E	7 1/2	97,790	90,210	82,920	75,840	69,020	62,440	56,100	49,900	-
C8DJ-1000	3DB*-100E	10	144,320	132,940	122,170	111,890	102,160	92,970	84,310	76,160	-

SPECIFICATIONS

Connecting Lines (in)

Order Number	Oil Type	L x W x H (in)	Liquid	Suction	Receiver Capacity	Ship Weight (lbs)
C3AM-0075	-	33.5 x 20 x 19	3/8 FL	5/8 F	20	190
C8AJ-0075	POE	33.5 x 20 x 19	3/8 F	5/8 F	20	190
C8AJ-0100	POE	33.5 x 20 x 19	3/8 F	5/8 F	20	190
C3AM-0101	MIN	33.5 x 20 x 19	3/8 F	5/8 F	20	190
C3AH-0150	MIN	33.5 x 20 x 19	3/8 FL	7/8 SWT	20	200
C3AM-0202	-	33.5 x 20 x 19	1/2 FL	7/8 SWT	20	260
C8AJ-0200	POE	33.5 x 20 x 19	1/2 F	7/8 S	20	260
C8AM-0202	POE	33.5 x 20 x 19	1/2 F	7/8 S	20	270
C3AH-0303	-	39 x 30 x 29.5	1/2 FL	1 1/8 SWT	53	430
C3AM-0303	-	39 x 30 x 29.5	1/2 FL	1 1/8 SWT	53	460
C8AJ-0300	POE	39 x 30 x 29.5	1/2 F	1 1/8 S	53	430
C8DJ-0500	POE	39 x 30 x 29.5	5/8 F	1 3/8 S	53	540
C8DJ-0501	POE	39 x 30 x 29.5	5/8 F	1 3/8 S	53	540
C8DJ-0751	POE	44 x 36 x 31	5/8 F	1 3/8 S	64	620
C8DJ-1000	POE	39 x 66 x 36	7/8 S	1 3/8 S	80	940

ELECTRICAL DATA

Order Number	208/1/60		208/3/60		208-230/3/60		460/3/60		575/3/60	
	MCA	Max Fuse	MCA	Max Fuse	MCA	Max Fuse	MCA	Max Fuse	MCA	Max Fuse
C3AM-0075-CAV, TAC	7.9	15	7.9	15	5.4	15	-	-	-	-
C8AJ-0075-CAV, TAC	-	-	7.9	-	4.9	-	-	-	-	-
C8AJ-0100-CAV, TAC, TAD	-	-	12.2	-	8.3	-	4.1	-	-	-
C3AM-0101-CAV, TAC, TAD	-	-	12.3	-	8.5	-	4.4	-	-	-
C3AH-0150-CAV, TAD, TAD	14.9	20	14.9	20	9.8	15	4.7	15	-	-
C3AM-0202-CAB, TAC, TAD	-	-	15.4	20	10.3	15	5.7	15	5.1	15
C8AJ-0200-CAV, TAC	-	-	16.2	-	11.4	-	-	-	-	-
C8AM-0202-TAC, TAD	-	-	-	-	13.9	-	6.0	-	-	-
C3AH-0303-CAB, TAC, TAD	-	-	25.7	35	19.0	25	10.4	15	7.7	15
C3AM-0303-CAB, TAC, TAD	-	-	26.7	40	20.8	25	10.7	15	-	-
C8AJ-0300-TAC, TAD	-	-	-	-	19.9	-	9.7	-	-	-
C8DJ-0500-TFC, TFD, TFE	-	-	-	-	32.3	-	15.4	-	11.5	-
C8DJ-0501-TFC, TFD, TFE	-	-	-	-	32.3	-	15.5	-	11.8	-
C8DJ-0751-TFC, TFD, TFE	-	-	-	-	45.7	-	20.6	-	18.5	-
C8DJ-1000-TFC, TFD, TFE	-	-	-	-	63.3	-	29.6	-	24.4	-

Electrical Codes

CAV & CAB	208/230/1/60	TAD & TFD	460/3/60
TAC & TFC	208/230/3/60	TAE & TFE	575/3/60

COPELAND

C + E LINE COPELAMETIC AIR-COOLED CONDENSING UNITS

MEDIUM TEMPERATURE - 1/2 HP TO 10 HP

FOR USE WITH R404A / R507



CAPACITIES

Capacity BTU/hr @ 90°F Ambient - Evaporator Temperature

Order Number	Compressor	HP	Capacity BTU/hr @ 90°F Ambient - Evaporator Temperature										
			+45	+40	+35	+30	+25	+20	+15	+10	0	-5°F	
E8AM-A050	HAI*-005E	1/2	-	-	-	-	4,530	4,170	3,790	3,410	2,700	2,430	
C8AJ-0075	KAN*-007E	3/4	-	-	-	-	6,290	5,680	5,100	4,540	3,530	3,110	
C8AJ-0100	KAN*-010E	1	-	-	-	-	8,580	7,930	7,240	6,550	5,240	4,720	
C8AJ-0200	KAK*-020E	2	-	-	-	-	-	13,070	11,900	10,700	8,530	7,800	
C8AM-0202	ERC*-021E	2	-	-	-	-	17,270	15,450	13,740	12,160	9,380	8,200	
CJAM-0300	ERF*-031E	3	-	-	-	-	28,400	25,300	22,500	19,900	16,400	14,300	
C8AJ-0300	ERF*-031E	3	-	-	-	-	28,200	25,540	23,040	20,720	16,470	14,620	
C8DJ-0500	2DC*-050E	5	54,470	50,230	46,070	42,050	38,200	34,520	34,520	31,030	24,680	21,960	
C8DJ-0501	2DD*-050E	5	-	61,940	57,490	53,030	48,670	44,420	40,330	36,420	29,260	26,210	
C8DJ-0750	2DA*-075E	7 1/2	-	90,290	83,770	77,380	71,230	65,330	59,700	54,330	44,400	39,970	
C8DJ-1000	3DB*-100E	10	-	130,970	121,330	111,970	103,000	94,430	86,250	78,460	64,030	57,480	

SPECIFICATIONS

Connecting Lines (in)

Order Number	Oil Type	L x W x H (in)	Connecting Lines (in)		Receiver Capacity	Ship Weight (lbs)
			Liquid	Suction		
E8AM-A050	POE	19.5 x 14.8 x 12	1/4 F	1/2 F	2.2	124
C8AJ-0075	POE	33.5 x 20 x 19	3/8 F	5/8 F	17.2	190
C8AJ-0100	POE	33.5 x 20 x 19	3/8 F	5/8 F	17.2	190
C8AJ-0200	POE	33.5 x 20 x 19	1/2 F	7/8 S	17.2	260
C8AM-0202	POE	33.5 x 20 x 19	1/2 F	7/8 S	17.2	270
CJAM-0300	POE	39 x 30 x 29.5	1/2 F	1 1/8 S	46.0	430
C8AJ-0300	POE	39 x 30 x 29.5	1/2 F	1 1/8 S	46.0	430
C8DJ-0500	POE	39 x 30 x 29.5	5/8 F	1 3/8 S	46.0	540
C8DJ-0501	POE	39 x 30 x 29.5	5/8 F	1 3/8 S	46.0	540
C8DJ-0750	POE	44 x 36 x 31	5/8 F	1 3/8 S	55.4	620
C8DJ-1000	POE	39 x 66 x 36	7/8 S	1 3/8 S	69.4	940

ELECTRICAL DATA

Order Number	208-230/1/60		208-230/3/60		460/3/60		575/3/60	
	MCA	Max Fuse	MCA	Max Fuse	MCA	Max Fuse	MCA	Max Fuse
E8AM-A050-TAC, CAV	5.2	-	3.4	-	-	-	-	-
C8AJ-0075-CAV, TAC	7.9	-	4.9	-	-	-	-	-
C8AJ-0100-CAV, TAC	12.2	-	8.3	-	4.1	-	-	-
C8AJ-0200-CAV, TAC	16.2	-	11.4	-	-	-	-	-
C8AM-0202-TAC	-	-	11.4	-	-	-	-	-
CJAM-0300-CAB, TAC, TAD, TAE	25.7	30	19.9	25	-	-	8.1	15
C8AJ-0300-TAC	-	-	19.9	-	9.7	-	-	-
C8DJ-0500-TFC, TFE	-	-	32.3	-	15.4	-	11.5	-
C8DJ-0501-TFC, TFE	-	-	32.3	-	15.5	-	11.8	-
C8DJ-0750-TFC, TFE	-	-	45.7	-	20.6	-	18.5	-
C8DJ-1000-TFC, TFE	-	-	63.3	-	29.6	-	24.4	-

Electrical Codes

CAV & CAB	208/230/1/60	TAD & TFD	460/3/60
TAC & TFC	208/230/3/60	TAE & TFE	575/3/60

C-LINE COPELAMETIC AIR-COOLED CONDENSING UNITS

LOW TEMPERATURE - 3/4 HP TO 10 HP

FOR USE WITH R404A / R507



CAPACITIES

Capacity BTU/hr @ 90°F Ambient - Evaporator Temperature

Order Number	Compressor	HP	-40	-35	-30	-25	-20	-15	-10	-5	0
C8AL-0075	KAN*-007E	3/4	1,580	1,920	2,300	2,710	3,170	3,650	4,150	4,680	5,180
CNAG-0100	KAJ*-010E	1	2,470	2,940	3,450	4,010	4,610	5,260	5,960	6,700	7,430
CPAK-0150	KAL*-015/6E	1 1/2	3,650	4,340	5,090	5,880	6,740	7,660	8,620	9,650	10,680
C8AL-0151	EAD*-020E	1 1/2	3,800	4,630	5,490	6,400	7,370	8,420	9,540	10,760	12,010
CNAG-0200	EAV*-021E	2	4,590	5,440	6,390	7,430	8,540	9,720	10,940	12,210	13,410
C8AL-0200	EAV*-021E	2	4,130	4,950	5,910	6,990	8,180	9,440	10,760	12,120	13,420
CJAL-0300	LAH*-032E	3	6,330	7,950	9,750	11,710	13,840	16,100	18,470	20,950	23,380
CPDK-0300	2DF*-030E	3	10,300	12,220	14,310	16,560	18,970	21,530	24,250	27,130	29,960
CJDL-0300	2DF3-030E	3	10,700	12,600	14,800	17,200	19,800	22,600	25,500	28,600	32,000
CJDL-0400	2DL*-040E	4	12,860	15,180	17,670	20,340	23,190	26,210	29,430	32,830	36,260
CPDK-0600	2DA*-060E	6	15,780	18,550	21,510	24,660	28,030	31,630	35,500	39,620	43,920
CPDK-0601	3DA*-060E	6	19,050	22,090	25,440	29,090	33,040	37,270	41,780	46,550	51,440
CPDK-0750	3DB*-075E	7 1/2	22,250	25,920	29,820	33,990	38,430	43,140	48,160	53,480	58,950
CPDK-0900	3DF*-090E	9	27,780	32,310	37,260	42,650	48,470	54,730	61,450	68,620	76,120
CPDK-1000	3DS*-100E	10	31,490	36,530	42,000	47,890	54,180	60,830	67,880	75,280	82,860

SPECIFICATIONS

Connecting Lines (in)

Order Number	Oil Type	L x W x H (in)	Liquid	Suction	Receiver Capacity	Ship Weight (lbs)	Air Flow CFM
C8AL-0075	POE	33.5 x 20 x 19	3/8 F	5/8 F	17.2	190	-
CNAG-0100	POE	33.5 x 20 x 19	3/8 F	5/8 F	17.2	190	-
CPAK-0150	POE	33.5 x 20 x 19	1/2 F	7/8 S	17.2	200	-
C8AL-0151	POE	33.5 x 20 x 19	1/2 F	7/8 S	17.2	265	-
CNAG-0200	-	33.5 x 20 x 19	1/2 F	7/8 S	17.2	275	-
CJAL-0300	-	39 x 30 x 29.5	1/2 FL	1 1/8 SWT	48.5	460	4,090
CJDL-0300	-	39 x 30 x 29.5	1/2 FL	1 3/8 SWT	48.5	530	4,090
CPDK-0300	POE	39 x 30 x 29.5	1/2 F	1 3/8 S	46.0	540	-
CJDL-0400	-	39 x 30 x 29.5	5/8 FL	1 3/8 SWT	48.5	550	3,102
CPDK-0600	POE	44 x 36 x 31.5	5/8 FL	1 3/8 S	55.4	603	-
CPDK-0601	POE	44 x 36 x 31.5	5/8 FL	1 3/8 S	55.4	630	-
CPDK-0750	POE	44 x 36 x 31.5	5/8 FL	1 3/8 S	55.4	670	-
CPDK-0900	POE	39 x 66 x 36	7/8 S	1 3/8 S	69.4	935	-
CPDK-1000	POE	39 x 66 x 36	7/8 S	1 3/8 S	69.4	940	-

ELECTRICAL DATA

Order Number	230/1/60		208-230/3/60		460/3/60		575/3/60	
	MCA	Max Fuse	MCA	Max Fuse	MCA	Max Fuse	MCA	Max Fuse
C8AL-0075-CAA, TAC	-	-	5.2	-	-	-	-	-
CNAG-0100-CAV, TAC	11.5	11.5	8.7	-	-	-	-	-
CPAK-0150-CAV, TAC	14.2	-	10.1	-	-	-	-	-
C8AL-0151-TAC	-	-	10.3	-	-	-	-	-
CNAG-0200-CAV, TAC	20.2	-	11.1	-	-	-	-	-
CJAL-0300-CAB, TAC, TAD	TBD	-	20.3	25	9.9	15	7.0	15
CJDL-0300-CFB, TFC, TFD, TFE	36.7	50	25.4	35	12.5	15	10.3	15
CPDK-0300-TFC, TFE	-	-	25.4	-	12.5	-	10.3	-
CJDL-0400-TFC, TFD, TFE	-	-	37.3	50	15.2	20	11.5	15
CPDK-0600-TFC, TFE	-	-	40.4	-	15.2	-	13.3	-
CPDK-0601-TFC, TFE	-	-	42.3	-	19.5	-	15.1	-
CPDK-0750-TFC, TFE	-	-	43.8	-	22.5	-	15.7	-
CPDK-0900-TFC, TFE	-	-	57.2	-	25.7	-	24.4	-
CPDK-1000-TFC, TFE	-	-	61.3	-	27.9	-	24.8	-

Electrical Codes

CAV & CAB	208/230/1/60	TAD & TFD	460/3/60
TAC & TFC	208/230/3/60	TAE & TFE	575/3/60

COPELAND

C + E LINE COPELAMETIC AIR-COOLED CONDENSING UNITS

HIGH / MEDIUM TEMPERATURE - 3/4 HP TO 10 HP

FOR USE WITH R134A



CAPACITIES

Capacity BTU/hr @ 90°F Ambient - Evaporator Temperature

Order Number	Compressor	HP	+45	+40	+35	+30	+25	+20	+15	+10	+5	0
ENAG-A075	KAM*-007E	3/4	-	7,960	7,270	6,620	5,990	5,390	4,830	7,290	-	3,310
CNAG-0100	KAJ*-010E	1	11,500	10,540	9,630	5,770	7,950	7,170	6,450	5,770	-	4,580
ENAG-A100	KAJ*-010E	1	10,500	9,700	8,920	8,170	7,440	6,750	6,090	5,470	-	4,360
CPAK-0150	KAL*-015/6E	1 1/2	16,400	15,060	13,770	12,540	11,350	10,230	9,170	8,180	-	6,400
CNAG-0200	EAV*-021E	2	21,820	19,900	18,100	16,410	14,820	13,320	11,900	10,560	-	8,060
CTAH-0300	LAH*-031E	3	35,030	32,250	29,570	27,000	24,560	22,290	20,190	18,300	-	15,210
CPDK-0300	2DF*-030E	3	49,080	44,870	40,920	37,160	33,630	30,310	27,180	24,260	-	18,920
CTAM-0300	LAH*-031E	3	-	-	-	-	26,000	24,000	21,600	19,400	17,300	15,400
CPDK-0600	2DA*-060E	6	67,970	61,940	56,260	50,890	45,840	41,110	36,690	32,560	-	25,170
CPDK-0601	3DA*-060E	6	78,580	71,850	65,490	59,440	53,740	48,360	43,290	38,530	-	29,840
CPDK-0750	3DB*-075E	7 1/2	89,330	81,800	74,670	67,870	61,430	55,350	49,610	44,200	-	34,270
CPDK-0900	3DF*-090E	9	111,990	102,150	92,980	84,350	76,270	68,680	61,530	54,770	-	42,180
CPDK-1000	3DS*-100E	10	121,860	111,160	101,170	91,760	82,950	74,680	66,910	59,580	-	46,010

SPECIFICATIONS

Connecting Lines (in)

Order Number	Oil Type	L x W x H (in)	Liquid Valve	Suction Valve	Receiver Capacity	Ship Weight (lbs)
ENAG-A075	POE	24 x 17.9 x 12	3/8 F	5/8 F	6.2	160
CNAG-0100	POE	33.5 x 20 x 19	3/8 F	5/8 F	20.0	190
ENAG-A100	POE	24 x 17.9 x 13.3	3/8 F	5/8 F	6.3	164
CPAK-0150	POE	33.5 x 20 x 19	1/2 F	7/8 S	20.0	200
CNAG-0200	POE	33.5 x 20 x 19	1/2 F	7/8 S	20.0	275
CTAH-0300	POE	39 x 30 x 29.5	1/2 F	1 1/8 S	53.7	434
CPDK-0300	POE	39 x 30 x 29.5	1/2 F	1 3/8 S	53.7	540
CTAM-0300	-	39 x 30 x 29.5	1/2 F	1 1/8 S	53.0	460
CPDK-0600	POE	44 x 36 x 31.5	5/8 F	1 3/8 S	64.6	603
CPDK-0601	POE	44 x 36 x 31.5	5/8 F	1 3/8 S	64.6	630
CPDK-0750	POE	44 x 36 x 31.5	5/8 F	1 3/8 S	64.6	670
CPDK-0900	POE	39 x 66 x 36	7/8 S	1 3/8 S	81.0	935
CPDK-1000	POE	39 x 66 x 36	7/8 S	1 3/8 S	81.0	940

ELECTRICAL DATA

Order Number	208-230/1/60		208-230/3/60		460/3/60		575/3/60	
	MCA	Max Fuse	MCA	Max Fuse	MCA	Max Fuse	MCA	Max Fuse
ENAG-A075-CAV	8.2	-	-	-	-	-	-	-
CNAG-0100-CAV, TAC	11.5	-	8.7	-	-	-	-	-
ENAG-A100-CAV, TAC	9.8	-	6.9	-	-	-	-	-
CPAK-0150-CAV, TAC	14.2	-	10.1	-	-	-	-	-
CNAG-0200-CAV, TAC	20.2	-	11.1	-	-	-	-	-
CTAH-0300-CAB	25.2	-	-	-	-	-	-	-
CPDK-0300-TFC, TFD, TFE	-	-	25.4	-	12.5	-	10.3	-
CTAM-0300-CAB, TAC	25.2	35	17.8	20	-	-	-	-
CPDK-0600-TFC, TFD, TFD	-	-	40.4	-	15.2	-	13.3	-
CPDK-0601-TFC, TFD, TFD	-	-	42.3	-	19.5	-	15.0	-
CPDK-0750-TFC, TFD, TFD	-	-	43.8	-	22.5	-	15.7	-
CPDK-0900-TFC, TFD, TFD	-	-	57.2	-	25.7	-	24.4	-
CPDK-1000-TFC, TFD, TFD	-	-	61.3	-	27.9	-	24.8	-

Electrical Codes

CAV & CAB	208/230/1/60	TAD & TFD	460/3/60
TAC & TFC	208/230/3/60	TAE & TFE	575/3/60

COPELAMETIC® W-LINE WATER-COOLED CONDENSING UNITS

HIGH / MEDIUM TEMPERATURE - 3/4 HP TO 40 HP

FOR USE WITH R22



CAPACITIES

Capacity BTU/hr @ 75°F Inlet Water - Evaporator Temperature

Order Number	Compressor	HP	+45	+40	+35	+30	+25	+20	+15	+10
W2WH-0075	KWN*-0075	3/4	10,500	9,400	8,350	7,390	6,490	5,660	4,890	4,190
W2WM-0075	KWE*-0075	3/4	-	-	-	-	7,940	6,950	6,190	5,570
W2WH-0100	KWR*-0100	1	12,900	11,600	10,500	9,360	8,360	7,440	6,600	5,830
W3WM-0100	KWM*-0100	1	-	-	-	-	10,600	9,530	8,520	7,580
W2WH-0150	KWG*-0150	1 1/2	18,200	16,400	14,700	13,100	11,700	10,300	9,100	7,970
W2WH-0201	ERA*-0200	2	28,200	25,000	21,900	18,900	16,100	13,500	11,100	8,820
W3WM-0200	KWK*-0200	2	-	-	-	-	16,200	14,400	12,800	11,300
W2WM-0202	ERC*-0200	2	-	-	-	-	19,500	17,000	14,800	12,900
W2WH-0300	ERF*-0310	3	43,400	39,100	35,300	31,700	28,300	25,300	22,400	19,700
W2WM-0300	3RA*-0300	3	-	-	-	-	33,600	30,100	26,800	23,600
W2WH-0501	NRA*-0500	5	73,800	65,600	59,450	52,500	46,150	41,200	36,050	31,750
W3DD-0752	2DA*-0750	7 1/2	117,300	105,630	94,780	84,770	75,590	67,240	59,730	53,060
W3DD-1003	3DB3-1000	10	163,240	147,950	133,700	120,430	108,090	96,610	85,930	75,990
W3DD-1502	3DS3-1500	15	218,750	198,450	179,560	161,970	145,600	130,360	116,170	102,930
W3DD-2002	4DA*-2000	20	244,000	219,200	196,400	175,600	156,600	139,400	123,700	109,400
W3DD-2500	4DH*-2500	25	315,200	296,500	251,800	223,800	197,900	174,700	153,000	133,400
W3DD-3002	4DJ*3000	30	353,800	319,400	287,600	258,500	230,600	205,800	183,100	162,400
W3DD-3502	6DH*-3500	35	460,000	412,700	369,600	330,300	294,100	261,600	232,100	206,100
W3DD-4001	6DJ*-4000	40	538,100	484,700	444,000	400,000	364,000	310,800	296,000	267,000

SPECIFICATIONS

Order Number	L x W x H (in)	Connecting Lines (in)		Water Connections (in)		Receiver Capacity	Ship Weight (lbs)
		Liquid	Suction	In	Out		
W2WH-0075	27.4 x 14.5 x 17.5	3/8 FL	5/8 FL	1/2 FPT	1/2 FPT	12.6	170
W2WM-0075	27.4 x 14.5 x 17.5	3/8 FL	5/8 FL	1/2 FPT	1/2 FPT	12.6	166
W2WH-0100	27.4 x 14.5 x 17.5	3/8 FL	5/8 FL	1/2 FPT	1/2 FPT	14.4	170
W3WM-0100	27.4 x 14.5 x 17.5	3/8 FL	5/8 FL	1/2 FPT	1/2 FPT	14.4	170
W2WH-0150	31.5 x 14.5 x 17.5	3/8 FL	7/8 SW	1/2 FPT	1/2 FPT	18.0	190
W2WH-0201	30 x 14.5 x 21.4	3/8 FL	7/8 SW	1/2 FPT	1/2 FPT	25.0	274
W3WM-0200	31.5 x 14.5 x 17.6	3/8 FL	7/8 SW	1/2 FPT	1/2 FPT	25.0	260
W2WM-0202	31.5 x 14.5 x 21.4	3/8 FL	7/8 SW	1/2 FPT	1/2 FPT	25.0	237
W2WH-0300	30 x 17 x 24	1/2 FL	1 1/8 SWT	1 FPT	1 FPT	41.5	414
W2WM-0300	30 x 17 x 24	1/2 FL	1 1/8 SWT	1 FPT	1 FPT	41.5	374
W2WH-0501	42 x 17.4 x 26.5	1/2 FL	1 1/8 SWT	1 FPT	1 FPT	56.0	489
W3DD-0752	46 x 17 x 38.6	5/8 F	1 3/8 S	-	-	128.7	564
W3DD-1003	52 x 17 x 30.6	7/8 S	1 3/8 S	-	-	144.0	701
W3DD-1502	52 x 18 x 32.6	1 1/8 S	1 5/8 S	-	-	201.6	946
W3DD-2002	64 x 20.1 x 34.2	1 1/8 S	1 5/8 S	-	-	258.3	1,160
W3DD-2500	30 x 17 x 24	1 1/8 SWT	1 5/8 SWT	1 1/2 FPT	1 1/2 FPT	198.0	1,105
W3DD-3002	30 x 17 x 24	1 1/8 SWT	2 1/8 SWT	1 1/2 FPT	1 1/2 FPT	198.0	1,160
W3DD-3502	30 x 17 x 24	1 1/8 SWT	2 1/8 SWT	1 1/2 FPT	1 1/2 FPT	243.0	1,357
W3DD-4001	30 x 17 x 24	1 5/8 SWT	2 1/8 SWT	2 1/4 FPT	2 1/4 FPT	242.0	1,430

COPELAND

COPELAMETIC® W-LINE WATER-COOLED CONDENSING UNITS

HIGH / MEDIUM TEMPERATURE - 3/4 HP TO 40 HP

FOR USE WITH R22



ELECTRICAL DATA

Order Number	115/1/60		208-230/1/60		208-230/3/60		460/3/60		573/3/60	
	MCA	Max Fuse	MCA	Max Fuse	MCA	Max Fuse	MCA	Max Fuse	MCA	Max Fuse
W2WH-0075-CAA, CAV, TAC	14.6	25	7.6	15	4.4	15	-	-	-	-
W2WM-0075-CAA, CAV, TAC	13.6	20	6.8	15	4.3	15	-	-	-	-
W2WH-0100-CAA, CAV, TAC, TAD	19.3	30	9.3	15	5.4	15	2.8	15	-	-
W3WM-0100-CAA, CAV, TAC, TAD	19.4	30	9.4	15	5.6	15	2.8	15	-	-
W2WH-0150-CAV, TAC, TAD	-	-	12.0	20	6.9	15	3.1	15	-	-
W2WH-0201-CAB, TAC, TAD	-	-	13.0	20	8.3	15	4.4	15	-	-
W3WM-0200-CAV, TAC, TAD	-	-	13.3	20	8.5	15	3.8	15	-	-
W2WM-0202-CAB, TAC, TAD	-	-	13.6	20	8.5	15	4.5	15	-	-
W2WH-0300-CAB, TAC, TAD	-	-	21.3	35	14.6	25	8.0	15	-	-
W2WM-0300-CAB, TAC, TAD	-	-	22.3	40	16.4	25	8.3	15	-	-
W2WH-0501-TFC, TFD, TFE	-	-	-	-	24.0	-	12.0	-	11.5	-
W3DD-0752-TFC, TFD, TFE	-	-	-	-	40.0	70	17.6	30	16.6	25
W3DD-1003-TFC, TFD, TFE	-	-	-	-	54.5	90	25.0	45	20.6	35
W3DD-1502-TFC, TFD, TFE	-	-	-	-	74.5	125	36.3	60	29.5	50
W3DD-2002-TSC, TSD, TSE	-	-	-	-	82.5	125	41.3	70	30.9	50
W3DD-2500-TSC, TSD, TSE	-	-	-	-	107.0	-	53.6	-	42.9	-
W3DD-3002-TSC, TSD, TSE	-	-	-	-	148.0	-	73.8	-	53.8	-
W3DD-3502-TSC, TSD, TSE	-	-	-	-	156.0	-	78.1	-	62.5	-

Electrical Codes

CAA	115V
CAV & CAB	208/230/1/60
TAC	208/230/3/60
TAD	460/3/60
TFE & TSE	575/3/60

COPELAMETIC® W-LINE WATER-COOLED CONDENSING UNITS

MEDIUM TEMPERATURE - 3/4 HP TO 40 HP DISCUS

FOR USE WITH R404A

CAPACITIES

Capacity BTU/hr @ 75°F Inlet Water - Evaporator Temperature

Order Number	Compressor	HP	+40	+35	+30	+25	+20	+15	+10	+5	0	-5	-10
WJWM-0075	KWN*-007E	3/4	-	-	-	6,765	5,945	5,330	4,613	3,997	3,485	2,962	-
WJWM-0100	KWR*-010E	1	-	-	-	10,045	8,918	7,995	7,072	6,304	5,586	4,818	-
WJWM-0152	KWG*-010E	1 1/2	-	-	-	12,095	10,660	9,320	8,200	7,380	6,355	5,432	-
WJWM-0202	KWK*-021E	2	-	-	-	16,297	14,760	13,120	11,480	10,148	8,918	7,995	-
WJWM-0203	ERC*-021E	2	-	-	-	21,320	18,963	16,810	14,862	13,120	11,480	9,891	-
WJWM-0300	ERF*-031E	3	-	-	-	30,750	27,470	24,395	21,627	19,065	16,810	14,657	-
WJWM-0502	2DC3-050E	5	65,805	59,450	53,812	47,662	42,332	37,515	32,800	29,007	25,522	22,447	19,270
WJDM-0503	2DD3-050E	5	79,130	71,238	64,062	57,400	50,942	45,202	39,975	35,158	30,852	26,650	23,677
WJDM-0751	2DA3-075E	7 1/2	10,977	99,630	89,687	80,770	72,468	64,985	58,015	51,660	45,817	39,463	35,650
WJDM-1001	3DB3-100E	10	152,213	137,863	124,742	112,135	100,962	90,712	81,180	72,570	64,575	56,375	50,327
WJDM-1201	3DF3-120E	12	189,112	170,970	154,263	138,683	125,357	112,135	100,450	89,687	79,745	69,700	62,115
WJDM-1501	3DS3-150E	15	199,875	189,625	171,175	154,365	138,478	124,640	111,212	99,425	88,457	77,900	69,290
WJDM-2001	4DA3-200E	20	223,757	202,027	183,475	164,923	147,600	131,815	116,645	103,217	90,405	79,950	70,725
WJDM-2501	4DH3-250E	25	278,903	255,225	232,162	209,100	188,805	167,895	149,240	132,738	117,362	103,730	93,787
WJDM-3001	4DJ3-250E	30	341,837	309,345	279,825	251,227	224,577	202,540	179,785	159,490	140,938	122,487	108,650
WJDM-3501	6DG3-350E	35	469,757	426,195	383,965	344,912	310,063	277,058	247,537	220,477	195,672	169,740	152,828
WJDM-4000	6DJ3-400E	40	492,000	450,692	407,950	358,750	333,125	299,300	267,525	241,900	214,225	191,675	167,075

COPELAMETIC® W-LINE WATER-COOLED CONDENSING UNITS

MEDIUM TEMPERATURE - 3/4 HP TO 40 HP DISCUS

FOR USE WITH R22



SPECIFICATIONS

Order Number	L x W x H (in)	Connecting Lines (in)		Receiver Capacity	Water Connections (in)		Ship Weight (lbs)
		Liquid	Suction		Inlet	Outlet	
WJWM-0075	27.4 x 14.5 x 17.5	3/8 F	5/8 F	10.9	1/2 FP	1/2 FP	170
WJWM-0100	27.4 x 14.5 x 17.5	3/8 F	5/8 F	12.6	1/2 FP	1/2 FP	170
WJWM-0152	27.4 x 14.5 x 17.5	3/8 F	7/8 S	15.6	1/2 FP	1/2 FP	190
WJWM-0202	27.4 x 14.5 x 17.5	3/8 F	7/8 S	21.1	1/2 FP	1/2 FP	260
WJWM-0203	31.5 x 14.5 x 21.4	3/8 F	7/8 S	21.1	1/2 FP	1/2 FP	250
WJWM-0300	30 x 17 x 24	1/2 F	1 1/8 S	32.8	1 FP	1 FP	414
WJWM-0502	42 x 17.4 x 28	1/2 F	1 3/8 S	48.3	1 FP	1 FP	500
WJDM-0503	42 x 17.4 x 28	1/2 F	1 3/8 S	48.3	1 FP	1 FP	500
WJDM-0751	42 x 17 x 30.3	5/8 F	1 3/8 S	48.4	1 FP	1 FP	585
WJDM-1001	55.8 x 17 x 30.3	7/8 S	1 3/8 S	105.3	1 FP	1 FP	750
WJDM-1201	55.8 x 17 x 30.3	1 1/8 S	1 3/8 S	105.3	1 FP	1 FP	820
WJDM-1501	54 x 18 x 33.3	1 1/8 S	1 5/8 S	148.9	1 1/4 FP	1 1/4 FP	860
WJDM-2001	63 x 20 x 31.3	1 1/8 S	1 5/8 S	168.4	1 1/4 FP	1 1/4 FP	980
WJDM-2501	70.3 x 22.8 x 32.2	1 1/8 S	1 5/8 S	163.9	1 1/2 FP	1 1/2 FP	1,105
WJDM-3001	70.3 x 24.4 x 32.2	1 1/8 S	2 1/8 S	163.8	1 1/2 FP	1 1/2 FP	1,160
WJDM-3501	80.3 x 24.4 x 32.3	1 1/8 S	2 1/8 S	207.4	1 1/2 FP	1 1/2 FP	1,357
WJDM-4000	89.5 x 24.4 x 36.5	1 5/8 S	2 1/8 S	206.7	2 1/4 FP	2 1/4 FP	1,430

ELECTRICAL DATA

Order Number	208-230/1		208-230/3		460/3		570/3	
	MCA	Max Fuse	MCA	Max Fuse	MCA	Max Fuse	MCA	Max Fuse
WJWM-0075-CAV, TAC	6.8	18	3.8	15	-	-	-	-
WJWM-0100-CAV, TAC, TAD	9.3	15	5.4	15	-	-	-	-
WJWM-0152-CAV, TAC, TAD	9.4	15	5.4	15	-	-	-	-
WJWM-0202-CAV, TAC	13.3	20	8.5	15	-	-	-	-
WJWM-0203-TAC, TAE	-	-	11.0	15	-	-	3.9	15
WJWM-0300-TAC, TAD	-	-	15.5	25	7.3	15	-	-
WJWM-0502-TFC, TFD, TFE	-	-	27.9	50	13.0	20	9.6	15
WJDM-0503-TFC, TFD, TFE	-	-	27.9	50	13.1	20	9.9	15
WJDM-0751-TFC, TFD, TFE	-	-	40.0	70	17.6	30	16.6	25
WJDM-1001-TFC, TFD, TFE	-	-	54.5	90	25.0	45	20.6	35
WJDM-1201-TFC, TFD	-	-	60.3	90	29.5	45	-	-
WJDM-1501-TFC, TFD, TFE	-	-	74.5	125	36.3	60	29.5	50
WJDM-2001-TSC, TSD, TSE	-	-	82.5	125	41.3	70	30.9	50
WJDM-2501-TSC, TSD, TSE	-	-	103.0	175	51.4	90	43.0	70
WJDM-3001-TSC, TSD, TSE	-	-	148.0	250	73.8	125	49.1	80
WJDM-3501-TS6, TSD, TSE	-	-	134.0	225	66.9	110	53.1	90
WJDM-4000-TS6, TSD, TSE	-	-	178.0	300	88.8	150	66.9	110

Electrical Codes

CAV	208/230/1/60
TAC, TFC, TSC, TS6	208/230/3/60
TAD, TFD, TSD	460/3/60
TAE, TFE, TSE	575/3/60

COPELAND

COPELAMETIC® W-LINE WATER-COOLED CONDENSING UNITS

LOW TEMPERATURE - 1 HP TO 27 HP

FOR USE WITH R404A



CAPACITIES

Capacity BTU/hr @ 75°F Inlet Water - Evaporator Temperature

Order Number	HP	0	-5	-10	-15	-20	-25	-30	-35	-40
WJWL-0100	1	8,110	7,180	6,240	5,410	4,680	3,950	3,330	2,800	2,300
WJWL-0151	1 1/2	11,900	10,500	9,260	8,110	6,970	6,030	5,100	4,370	3,690
WJWL-A201	2	16,000	14,000	12,300	10,600	9,150	7,800	6,550	5,460	4,450
WJWL-0300	3	26,700	23,300	20,400	17,500	15,120	13,100	11,200	9,520	8,200
WJWL-0301	3	26,700	23,300	20,400	17,500	15,120	13,100	11,200	9,520	8,200
WJWL-0303	3	26,360	23,000	19,850	16,900	14,180	11,760	9,560	7,640	5,950
WJDL-0302	3	34,300	30,200	26,400	23,000	19,900	17,000	14,500	12,200	10,100
WJDL-0401	4	41,000	36,100	31,800	27,800	24,100	20,800	17,800	15,000	12,400
WJDL-0604	6	46,300	41,000	36,300	31,800	27,800	24,100	20,800	17,700	14,700
WJDL-0603	6	55,500	49,200	43,500	38,200	33,400	29,100	25,100	21,500	18,200
WJDL-0751	7 1/2	65,500	58,100	51,300	45,200	39,600	34,500	29,900	25,600	21,600
WJDL-0901	9	80,400	71,200	62,900	55,300	48,400	42,000	36,300	31,000	26,300
WJDL-1001	10	89,000	79,400	70,500	62,300	54,800	47,700	41,300	35,400	30,000
WJDL-1501	15	120,000	107,000	95,200	84,700	75,000	66,100	57,700	49,600	41,600
WJDL-2201	22	144,000	129,000	115,000	102,000	90,300	79,000	68,300	58,200	48,400
WJDL-2701	27	184,000	164,000	146,000	128,000	112,000	97,300	83,600	71,100	59,800

SPECIFICATIONS

Order Number	Compressor	L x W x H (in)	Connecting Lines (in)		Water Connections (in)		Ship Weight (lbs)
			Liquid	Suction	In	Out	
WJWL-0100	KWJ*-010E	27.4 x 14.5 x 17.5	3/8 FL	5/8 FL	1/2 FPT	1/2 FPT	175
WJWL-0151	KWL*-010E	31.5 x 14.5 x 17.5	3/8 FL	7/8 FL	1/2 FPT	1/2 FPT	195
WJWL-A201	EWV*-021E	30 x 14.5 x 21.4	3/8 FL	7/8 SW	1/2 FPT	1/2 FPT	275
WJWL-0300	NRD1-032E	30 x 17 x 38.5	1/2 FL	1 1/8 SW	1 FPT	1 FPT	420
WJWL-0301	NRD1-040E	30 x 17 x 38.5	1/2 FL	1 1/8 SW	1 FPT	1 FPT	420
WJWL-0303	LAH*-032E	30 x 17 x 38.5	1/2 FL	1 1/8 SW	1 FPT	1 FPT	420
WJDL-0301	2DF3-030E	42 x 17 x 41.6	1/2 FL	1 1/8 SW	1 FPT	1 FPT	630
WJDL-0401	2DL3-040E	42 x 18.8 x 41.6	5/8 FL	1 1/8 SW	1 FPT	1 FPT	630
WJDL-0604	2DA3-060E	42 x 18.8 x 41.6	5/8 FL	1 3/8 SW	1 FPT	1 FPT	630
WJDL-0603	3DA3-060E	42 x 18.8 x 41.6	5/8 FL	1 3/8 SW	1 FPT	1 FPT	630
WJDL-0751	3DB3-075E	42 x 17 x 30.8	5/8 FL	1 3/8 SW	1 FPT	1 FPT	690
WJDL-0901	3DF3-090E	55.8 x 17 x 38.8	7/8 SW	1 3/8 SW	1 FPT	1 FPT	840
WJDL-1001	3DS3-100E	55.8 x 17 x 38.8	7/8 SW	1 3/8 SW	1 FPT	1 FPT	840
WJDL-1501	4DL3-150E	54 x 19.9 x 32	1 1/8 SW	1 5/8 SW	1 1/4 FPT	1 1/4 FPT	950
WJDL-2201	4DT3-220E	70.3 x 23.3 x 37.8	1 1/8 SW	2 1/8 SW	1 1/4 FPT	1 1/4 FPT	1,150
WJDL-2701	6DL3-270E	76.3 x 26.8 x 39.1	1 1/8 SW	2 1/8 SW	1 1/4 FPT	1 1/2 FPT	1,240

ELECTRICAL DATA

Order Number	208-230/1		208-230/3		460/3		575/3	
	MCA	Max Fuse	MCA	Max Fuse	MCA	Max Fuse	MCA	Max Fuse
WJWL-0100-CAV	8.6	15	-	-	-	-	-	-
WJWL-0151-CAV, TAC, TAD	12.0	20	8.3	15	4.3	15	-	-
WJWL-A201-CAV, TAC, TAD	18.4	30	9.3	15	4.9	15	-	-
WJWL-0300-TFC, TFD	-	-	21.5	35	11.2	15	-	-
WJWL-0301-CFB	35.8	60	-	-	-	-	-	-
WJWL-0302-CAB, TAC	20.6	30	14.0	20	-	-	-	-
WJWL-0303-CAB, TAC, TAD	23.4	30	17.9	30	8.4	15	9.8	15
WJDL-0302-TFC, TFD, TFE	-	-	22.2	35	10.9	15	9.5	15
WJDL-0401-TFC, TFD, TFE	-	-	34.0	50	13.5	20	10.8	15
WJDL-0604-TFC, TFD, TFE	-	-	37.2	60	13.5	20	12.5	20
WJDL-0603-TFC, TFD, TFE	-	-	39.0	60	17.9	30	14.3	20
WJDL-0751-TFC, TFD, TFE	-	-	39.4	70	20.9	35	14.9	20
WJDL-0901-TFC, TFD, TFE	-	-	49.9	80	21.9	35	21.8	35
WJDL-1001-TFC, TFD, TFE	-	-	52.5	90	24.0	40	22.2	35
WJDL-1501-TSC, TSD, TSE	-	-	66.9	110	33.6	50	27.3	45
WJDL-2201-TSC, TSD, TSE	-	-	90.4	150	45.4	80	36.9	60
WJDL-2701-TSC, TSD, TSE	-	-	102.0	175	51.2	90	41.8	70

Electrical Codes

CAV, CFB, CAB 208/230/1/60 TAD, TFD, TSD 460/3/60 TAC, TFC, TAC, TSC 208/230/3/60 TAE, TFE, TSE 575/3/60

Burnaby 604.298.4472 Interior BC 604.202.4853 Vancouver Island 604.282.0118 Calgary 403.214.2134 Edmonton 780.451.4744 Saskatchewan 306.373.9227
 Kitchener 519.748.0961 St.Catharines 905.988.1724 Windsor 519.251.9925 North Bay 780.476.0800 Ottawa 613.742.0083 www.isc.tv

COPELAMETIC® W-LINE WATER-COOLED CONDENSING UNITS

HIGH / MEDIUM TEMPERATURE - 3/4 HP TO 20 HP

FOR USE WITH R134A



CAPACITIES

Capacity BTU/hr @ 75°F Inlet Water - Evaporator Temperature

Order Number	Compressor	HP	+45	+40	+35	+30	+25	+20	+15	+10	+5	0
WTWH-0075	KWM*-007E	3/4	10,200	9,200	8,300	7,380	6,560	5,850	5,070	4,400	3,800	3,280
WTWH-0100	KWJ*-010E	1	13,000	11,800	10,700	9,500	8,500	7,580	6,600	5,840	2,100	4,500
WTWH-0151	KWL*-015/6E	1 1/2	18,500	16,800	15,000	13,450	12,000	10,700	9,400	8,250	7,170	6,350
WTWH-A201	EMV*021E	2	26,700	24,000	22,000	19,500	17,000	14,700	12,700	11,000	9,900	8,200
WTWM-0300	LAH*-031E	3	-	-	-	-	27,300	24,000	21,000	18,200	15,500	13,200
WTDH-0301	2DF3-030E	3	60,000	53,700	48,000	42,800	38,000	33,600	29,500	26,000	22,600	19,500
WTDH-0601	2DA3-060E	6	75,300	67,000	60,200	53,500	47,500	42,100	36,400	32,300	28,100	24,300
WTDH-0751	3DB3-075E	7 1/2	106,000	98,000	85,000	75,600	67,000	59,500	52,500	46,000	40,000	34,300
WTDH-0900	3DF3-090E	9	124,000	111,000	97,600	89,900	79,400	70,500	62,300	54,600	47,600	41,000
WTDH-1001	3DS3-100E	10	136,000	123,000	110,000	98,000	87,500	77,200	68,000	60,100	52,300	45,000
WTDH-1500	4DH3-150E	15	200,000	181,300	162,000	143,500	126,500	110,700	96,200	83,500	72,800	64,200
WTDH-2001	4DJ3-200E	20	240,000	216,000	193,500	171,500	151,000	132,000	115,000	99,500	87,000	76,500

Order Number	L x W x H (in)	Connecting Lines (in)		Water Connections (in)		Receiver Capacity	Ship Weight (lbs)
		Liquid	Suction	In	Out		
WTWH-0075	27.4 x 14.5 x 17.5	3/8 FL	5/8 F	1/2 FPT	1/2 FPT	12.7	166
WTWH-0100	27.4 x 14.5 x 17.5	3/8 FL	5/8 F	1/2 FPT	1/2 FPT	14.5	190
WTWH-0151	31.5 x 14.5 x 17.5	3/8 FL	7/8 F	1/2 FPT	1/2 FPT	18.2	190
WTWH-A201	30 x 14.5 x 21.4	3/8 FL	7/8 S	1/2 FPT	1/2 FPT	24.5	270
WTWM-0300	30 x 17 x 32.2	1/2 FL	1 1/8 S	1 FPT	1 FPT	40.9	330
WTDH-0301	42 x 17 x 28	1/2 FL	1 3/8 S	1 FPT	1 FPT	56.4	490
WTDH-0601	42 x 17 x 28	1/2 FL	1 3/8 S	1 FPT	1 FPT	56.4	600
WTDH-0751	42 x 17 x 30.8	5/8 FL	1 3/8 S	1 FPT	1 FPT	92.8	620
WTDH-0900	55.8 x 17 x 30.5	7/8 S	1 3/8 S	1 FPT	1 FPT	122.8	800
WTDH-1001	55.8 x 20.8 x 30.8	7/8 S	1 5/8 S	1 FPT	1 FPT	122.8	820
WTDH-1500	54 x 20 x 31.3	1 1/8 S	1 5/8 S	1 1/4 FPT	1 1/4 FPT	173.0	900
WTDH-2001	63 x 22.8 x 32.2	1 1/8 S	2 1/8 S	1 1/4 FPT	1 1/4 FPT	196.0	980

Order Number	208-230/1/60		208-230/3/60		460/3/60		573/3/60	
	MCA	Max Fuse	MCA	Max Fuse	MCA	Max Fuse	MCA	Max Fuse
WTWH-0075-CAV, TAC	7.0	15	-	-	-	-	-	-
WTWH-0100-CAV, TAC	8.6	15	5.8	15	-	-	-	-
WTWH-0151-CAV, TAC	12.4	20	8.3	15	-	-	-	-
WTWH-A201-CAV, TAC	18.4	30	9.3	15	-	-	-	-
WTWM-0300-CAB, TAC	21.9	35	11.8	15	-	-	-	-
WTDH-0301-TFC, TFD, TFE	-	-	21.0	35	10.1	15	8.4	15
WTDH-0601-TFC, TFD, TFE	-	-	36.0	60	12.8	20	11.4	20
WTDH-0751-TFC, TFD, TFE	-	-	39.4	70	20.1	35	13.8	20
WTDH-0900-TFC, TFD, TFE	-	-	48.8	80	21.2	35	20.7	35
WTDH-1001-TFC, TFD, TFE	-	-	52.5	90	23.3	40	21.0	35
WTDH-1500-TSC, TSD, TSE	-	-	72.5	110	36.3	50	30.4	45
WTDH-2001-TSC, TSD, TSE	-	-	82.5	125	41.3	60	37.5	50

Electrical Codes

CAV, CAB	208/230/1/60
TAC, TFC, TSC	208/230/3/60
TFE, TSE	575/3/60

COPELAND

N-LINE REMOTE CONDENSING UNITS

HIGH TEMPERATURE DISCUS - 3 HP TO 40 HP

FOR USE WITH R22



CAPACITIES

Capacity BTU/hr @ 95°F Ambient and 110°F Condensing Temperature

Order Number	Compressor	HP	+45	+40	+35	+30	+25	+20	+15	+10
N2NH-0300	ERF*-0310	3	39,750	35,900	32,260	28,840	25,630	22,750	19,860	17,400
N2NH-0500	NRA*-0500	5	70,700	63,400	56,900	50,900	45,160	39,450	34,850	29,700
N3DD-0751	2DA*-0750	7 1/2	107,350	97,300	88,280	79,850	71,980	64,690	57,900	51,610
N3DD-1001	3DB*-1000	10	159,000	145,000	131,000	119,000	107,000	95,800	85,600	76,500
N3DD-1501	3DS*-1500	15	213,000	193,000	174,000	157,000	141,000	127,000	114,000	101,000
N3DD-2001	4DA1-2000	20	231,800	212,250	192,530	172,500	154,030	141,360	126,460	112,360
N3DD-2501	4DH1-2500	25	304,950	276,100	249,330	224,400	199,940	178,660	158,080	139,210
N3DD-3001	4DJ1-3000	30	342,950	312,000	284,950	258,300	233,100	210,080	188,710	169,040
N3DD-3501	6DH1-3500	35	445,550	405,700	365,810	328,900	297,480	268,000	240,080	215,770
N3DD-4001	6DJ1-4000	40	520,600	471,200	430,310	388,600	353,070	318,060	287,510	258,530

SPECIFICATIONS

Order Number	L x W x H (in)	Connecting Lines (in)			Receiver Capacity	Mounting (in)		Receiver (in)		Ship Weight (lbs)
		Discharge	Suction	Receiver Capacity		Length	Width	Inlet	Outlet	
N2NH-0300	28 x 15.5 x 23.5	5/8 FL	1 1/8 SWT	44.0	12	13	1/2 SWT	3/8" FL	285	
N2NH-0500	33.5 x 16 x 26	7/8 SWT	1 1/8 SWT	56.0	12	13	5/8 SWT	5/8 FL	365	
N3DD-0751	32 x 14.5 x 30.5	7/8 SWT	1 3/8 SWT	92.0	13	15	5/8 FL	5/8 FL	440	
N3DD-1001	43 x 17 x 31	1 1/8 SWT	1 3/8 SWT	126.0	24	15.5	7/8 SWT	7/8 SWT	570	
N3DD-1501	41 x 17 x 33.5	1 1/8 SWT	1 5/8 SWT	166.0	24	15.5	1 1/8 SWT	1 1/8 SWT	660	
N3DD-2001	41 x 19 x 33	1 1/8 SWT	1 5/8 SWT	166.0	24	15.5	1 1/8 SWT	1 1/8 SWT	700	
N3DD-2501	51 x 20 x 33	1 1/8 SWT	2 1/8 SWT	209.0	24	15.5	1 1/8 SWT	1 1/8 SWT	750	
N3DD-3001	51 x 22.5 x 33	1 3/8 SWT	2 1/8 SWT	209.0	24	15.5	1 1/8 SWT	1 1/8 SWT	785	
N3DD-3501	51 x 23 x 32.5	1 3/8 SWT	2 1/8 SWT	209.0	24	15.5	1 1/8 SWT	1 1/8 SWT	800	
N3DD-4001	51 x 23 x 33.5	1 3/8 SWT	2 1/8 SWT	209.0	24	15.5	1 1/8 SWT	1 1/8 SWT	825	

ELECTRICAL DATA

Order Number	230/1/60			208-230/3/60			460/3/60			575/3/60		
	MCA	RLA	LRA	MCA	RLA	LRA	MCA	RLA	LRA	MCA	RLA	LRA
N2NH-0300-CAB, TAC, TAD, TAE	21.3	17.0	86.0	14.6	11.7	82.0	8.0	6.4	41.0	5.8	4.6	30.0
N2NH-0500-TFC, TFD, TFE	-	-	-	24.0	19.2	141.0	12.0	9.6	62.5	11.5	9.2	53.4
N3DD-0751-TFC, TFD, TFE	-	-	-	40.0	32.0	169.0	17.6	14.1	85.0	16.6	13.3	67.0
N3DD-1001-TFC, TFD, TFE	-	-	-	54.5	43.6	215.0	25.0	20.0	106.0	20.6	16.5	84.0
N3DD-1501-TFC, TFD, TFE	-	-	-	74.5	59.6	275.0	36.3	29.6	138.0	29.5	23.6	110.0
N3DD-2001-TSC, TSD, TSE	-	-	-	87.5	70.0	308.0	43.8	35.0	154.0	35.8	28.6	135.0
N3DD-2501-TSC, TSD, TSE	-	-	-	107.0	85.7	428.0	53.6	42.9	214.0	42.9	34.3	172.0
N3DD-3001-TSC, TSD, TSE	-	-	-	147.0	118.0	470.0	73.8	59.0	235.0	53.8	43.0	200.0
N3DD-3501-TSC, TSD, TSE	-	-	-	156.0	125.0	565.0	78.1	62.5	283.0	62.5	50.0	230.0
N3DD-4001-TS6, TSD, TSE	-	-	-	176.0	141.0	594.0	88.1	70.5	297.0	71.4	57.1	235.0

Electrical Codes

CAB	230/1/60
TAC, TFC, TSC, TS6	208/230/3/60
TAE, TFE, TSE	575/3/60

N-LINE REMOTE CONDENSING UNITS

MEDIUM TEMPERATURE COPELAMETIC - 1/2 HP TO 4 HP

FOR USE WITH R404A / R507



CAPACITIES

Capacity BTU/hr @ 95°F Ambient and 110°F Condensing Temperature

Order Number	Compressor	HP	-5	0	+5	+10	+15	+20	+25
NJNM-0050	HAI*-005E	1/2	2,300	2,600	3,000	3,500	4,000	4,500	5,000
NJNM-0075	KAN*-007E	3/4	2,920	3,430	4,000	4,660	5,330	6,040	6,860
NJNM-0100	KAR*-010E	1	4,400	5,100	5,800	6,500	7,300	8,200	9,300
NJNM-0101	KAG*-010E	1	5,800	6,660	7,530	8,500	9,580	10,760	12,140
NJNM-0200	KAK*-020E	2	7,300	8,200	9,300	10,600	12,100	13,600	15,000
NJNM-0201	ERC*-021E	2	9,000	10,500	12,000	13,600	15,400	17,400	19,500
NJNM-0300	ERF*-031E	3	13,300	15,400	17,500	19,900	22,500	25,300	28,400
NJNM-0301	3RA*-031E	3	14,900	17,500	20,300	23,400	26,700	30,400	34,400
NJNM-0400	NRB2-040E	4	16,900	19,900	23,100	26,500	30,300	34,400	38,900

SPECIFICATIONS

Order Number	L x W x H (in)	Connecting Lines (in)			Mounting (in)		Receiver (in)		Ship Weight (lbs)
		Discharge	Suction	Receiver Capacity	Length	Width	Inlet	Outlet	
NJNM-0050	24 x 18.5 x 17.8	3/8 S	1/2 S	19.5	12	13	3/8 S	3/8 F	160
NJNM-0075	24 x 18.5 x 17.8	3/8 S	1/2 S	19.5	12	13	3/8 S	3/8 F	170
NJNM-0100	24 x 18.5 x 17.8	3/8 S	1/2 S	19.5	12	13	3/8 S	3/8 F	170
NJNM-0101	24 x 18.5 x 17.8	3/8 S	1/2 S	19.5	12	13	3/8 S	3/8 F	170
NJNM-0200	24 x 18.5 x 19	1/2 S	7/8 S	22.6	12	13	3/8 S	3/8 F	180
NJNM-0201	24 x 18.5 x 21.5	1/2 S	1 1/8 S	22.6	12	13	3/8 S	3/8 F	225
NJNM-0300	24 x 15.5 x 23.5	5/8 S	1 1/8 S	38.2	12	13	1/2 S	3/8 F	255
NJNM-0301	24 x 16 x 23.5	5/8 S	1 1/8 S	38.2	12	13	1/2 S	3/8 F	260
NJNM-0400	30 x 16 x 26	7/8 S	1 1/8 S	49.1	12	13	5/8 S	5/8 F	330

ELECTRICAL DATA

Order Number	208-230/1/60		208-230/3/60		460/3/60		575/3/60	
	MCA	Max Fuse	MCA	Max Fuse	MCA	Max Fuse	MCA	Max Fuse
NJNM-0050-CAV	5.3	15	-	-	-	-	-	-
NJNM-0075-CAV, TAC	7.4	15	4.4	15	-	-	-	-
NJNM-0100-CAV, TAC	9.9	15	6.0	15	-	-	-	-
NJNM-0101-CAV, TAC	10.0	15	6.0	15	-	-	-	-
NJNM-0200-CAV, TAC	13.5	20	9.1	15	-	-	-	-
NJNM-0201-TAC	-	-	11.3	15	-	-	-	-
NJNM-0300-CAB, TAC	21.6	30	15.8	20	-	-	-	-
NJNM-0301-TAC, TAD, TAE	TBD	-	18.1	25	8.2	15	4.7	15
NJNM-0400-TFC, TFD, TAE	-	-	30.3	35	11.6	20	6.8	15

Electrical Codes

CAV, CAB	208/230/1/60
TAC, TFC	208/230/3/60
TAD, TFD	460/6/60
TAE	575/3/60

COPELAND

N-LINE REMOTE CONDENSING UNITS

MEDIUM TEMPERATURE DISCUS - 5 HP TO 40 HP

FOR USE WITH R404A / R507



CAPACITIES

Capacity BTU/hr @ 95°F Ambient and 110°F Condensing Temperature

Order Number	Compressor	HP	+40	+35	+30	+25	+20	+15	+10	+5	0	-5	-10
NJDM-0500	2DC3-050E	5	61,200	55,000	49,300	44,000	39,100	34,600	30,500	26,800	23,400	20,500	17,800
NJDM-0501	2DD3-050E	5	73,200	66,000	59,300	53,000	47,200	41,900	37,000	32,500	28,600	25,000	22,000
NJDM-0750	2DL3-075E	7 1/2	89,200	80,400	72,300	65,800	57,900	51,600	45,800	40,500	35,800	31,500	27,700
NJDM-0751	2DA3-075E	7 1/2	102,100	92,200	83,200	74,800	67,200	60,200	53,800	47,900	42,500	37,500	33,000
NJDM-0752	3DA3-075E	7 1/2	119,300	107,900	97,400	87,700	78,700	70,500	63,000	56,200	49,900	43,500	39,000
NJDM-1000	3DB3-100E	10	141,300	128,000	115,700	104,400	94,000	84,500	75,700	67,600	60,100	53,000	46,800
NJDM-1200	3DF3-120E	12	175,500	158,800	143,400	129,300	116,300	104,400	93,500	83,500	74,300	65,300	58,300
NJDM-1500	3DS3-150E	15	194,300	175,800	158,800	143,100	128,800	115,600	103,500	92,500	82,300	75,000	64,500
NJDM-2000	4DA3-200E	20	206,300	187,100	169,000	151,900	135,900	121,100	107,300	94,700	83,200	78,000	63,800
NJDM-2500	4DH3-250E	25	258,100	236,000	214,500	193,900	174,200	155,800	138,600	123,000	109,100	98,500	86,900
NJDM-3000	4DJ3-300E	30	316,500	286,800	259,000	233,100	209,100	186,900	166,400	147,600	130,500	114,600	101,000
NJDM-3500	6DH3-350E	35	401,400	362,500	326,700	293,800	263,600	236,000	210,600	187,400	166,200	143,500	128,800
NJDM-4000	6DJ3-400E	40	460,000	418,700	379,900	343,600	309,800	278,300	249,200	222,400	197,800	175,000	155,100

SPECIFICATIONS

Order Number	L x W x H (in)	Connecting Lines (in)			Mounting (in)		Receiver (in)		Ship Weight (lbs)
		Discharge	Suction	Receiver Capacity	Length	Width	Inlet	Outlet	
NJDM-0500	30 x 16 x 28	7/8 S	1 3/8 S	49.1	12	13	5/8 S	5/8 S	370
NJDM-0501	30 x 16 x 28	7/8 S	1 3/8 S	49.1	12	13	5/8 S	5/8 S	370
NJDM-0750	32 x 14.5 x 30.2	7/8 S	1 3/8 S	78.7	13	15	5/8 S	5/8 S	410
NJDM-0751	32 x 14.5 x 30.2	7/8 S	1 3/8 S	78.7	13	15	5/8 S	5/8 S	410
NJDM-0752	32 x 14.5 x 30.2	7/8 S	1 3/8 S	78.7	13	15	5/8 S	5/8 S	455
NJDM-1000	43 x 17 x 31	1 1/8 S	1 3/8 S	108.4	24	15.5	7/8 S	7/8 S	465
NJDM-1200	41 x 17 x 33.5	1 1/8 S	1 3/8 S	143.5	24	15.5	1 1/8 S	1 1/8 S	595
NJDM-1500	41 x 17 x 33.5	1 1/8 S	1 5/8 S	143.5	24	15.5	1 1/8 S	1 1/8 S	595
NJDM-2000	41 x 19 x 33	1 1/8 S	1 5/8 S	143.5	24	15.5	1 1/8 S	1 1/8 S	635
NJDM-2500	51 x 20 x 33	1 3/8 S	2 1/8 S	180.1	24	15.5	1 1/8 S	1 1/8 S	645
NJDM-3000	51 x 23 x 33.5	1 3/8 S	2 1/8 S	180.1	24	15.5	1 1/8 S	1 1/8 S	675
NJDM-3500	51 x 23 x 33.5	1 3/8 S	2 1/8 S	180.1	24	15.5	1 1/8 S	1 1/8 S	695
NJDM-4000	51 x 23 x 33.5	1 3/8 S	2 1/8 S	180.1	24	15.5	1 1/8 S	1 1/8 S	715

ELECTRICAL DATA

Order Number	208-230/3/60		460/3/60		575/3/60	
	MCA	Max Fuse	MCA	Max Fuse	MCA	Max Fuse
NJDM-0500-TFC, TFD, TFE	27.9	50	13	20	9.6	15
NJDM-0501-TFC, TFD, TFE	27.9	50	13.1	20	9.9	15
NJDM-0750-TRD, TFD, TFE	39.5	70	17.3	30	16.5	25
NJDM-0751-TFC, TFD, TFE	40	70	17.6	60	16.6	25
NJDM-0752-TFC, TFD, TFE	51.3	90	25	45	20.7	35
NJDM-1000-TFC, TFD, TFE	54.5	90	25	45	20.7	35
NJDM-1200-TFC, TFD	60.3	100	29.5	50	-	-
NJDM-1500-TRD, TFD, TFE	74.5	125	36.3	60	29.5	50
NJDM-2000-TSC, TSD, TSE	82.5	125	41.3	70	30.9	50
NJDM-2500-TSC, TSD, TSE	103	175	51.4	91	43.0	70
NJDM-3000-TSC, TSD, TSE	118	200	58.8	100	49.1	80
NJDM-3500-TSC, TSD, TSE	134	225	66.9	110	53.1	90
NJDM-4000-TS6, TSD, TSE	178	300	88.8	150	66.9	110

Electrical Codes

TFC, TSC, TS6	208/230/3/60
TFD, TSD	460/3/60
TFE, TSE	575/3/60

N-LINE REMOTE CONDENSING UNITS

LOW TEMPERATURE COPELAMETIC - 1/2 HP TO 3 HP

FOR USE WITH R404A / R507



CAPACITIES

Capacity BTU/hr @ 95°F Ambient and 110°F Condensing Temperature

Order Number	Compressor	HP	0	-5	-10	-15	-20	-25	-30	-35	-40
NJNL-0050	KAN*-0050	1/2	3,200	2,700	2,300	1,900	1,600	1,200	970	720	510
NJNL-0075	KAE*-007E	3/4	4,100	3,600	3,100	2,600	2,200	1,800	1,440	1,110	790
NJNL-0076	KAM*-007E	3/4	5,300	4,600	4,000	3,400	2,900	2,400	1,970	1,580	1,240
NJNL-0100	KAJ*-010E	1	7,100	6,200	5,400	4,700	4,000	3,400	2,900	2,390	1,910
NJNL-0101	KAK*-011E	1	8,300	7,100	6,200	5,400	4,700	4,100	3,500	2,880	2,200
NJNL-0150	KAL*-015/6E	1 1/2	10,700	9,400	8,300	7,200	6,200	5,300	4,500	3,730	3,020
NJNL-0201	EAD*-021E	2	12,500	10,800	9,400	8,000	6,900	5,800	4,840	3,930	3,060
NJNL-0200	EAV*-021E	2	14,500	12,700	10,900	9,300	7,800	6,500	5,290	4,310	3,510
NJNL-0301	3AB*-032E	3	17,500	15,100	13,000	11,000	9,300	7,700	6,260	4,920	3,640
NJNL-0300	LAH*-032E	3	23,300	20,300	17,500	14,900	12,500	10,300	8,240	6,380	4,690
NJNL-0302	LAL*-032E	3	26,200	22,900	19,800	17,000	14,400	12,100	10,060	8,310	6,870

SPECIFICATIONS

Order Number	L x W x H (in)	Connecting Lines (in)		Receiver Capacity	Mounting (in)		Receiver		Ship Weight (lbs)
		Discharge	Suction		Length	Width	Inlet	Outlet	
NJNL-0050	24 x 18.5 x 17.8	3/8 S	1/2 S	19.5	12	13	3/8 S	3/8 F	170
NJNL-0075	24 x 18.5 x 17.8	3/8 S	1/2 S	19.5	12	13	3/8 S	3/8 F	170
NJNL-0076	24 x 18.5 x 17.8	3/8 S	1/2 S	19.5	12	13	3/8 S	3/8 F	170
NJNL-0100	24 x 18.5 x 17.8	3/8 S	1/2 S	19.5	12	13	3/8 S	3/8 F	170
NJNL-0101	24 x 18.5 x 17.8	3/8 S	1/2 S	19.5	12	13	3/8 S	3/8 F	170
NJNL-0150	24 x 18.5 x 19	1/2 S	7/8 S	22.6	12	13	3/8 S	3/8 F	180
NJNL-0201	24 x 18.5 x 19	1/2 S	7/8 S	22.6	12	13	3/8 S	3/8 F	180
NJNL-0200	24 x 18.5 x 21.5	1/2 S	1 1/8 S	22.6	12	13	3/8 S	3/8 F	225
NJNL-0301	24 x 16 x 34	5/8 F	1 1/8 S	38.2	12	13	1/2 S	3/8 F	260
NJNL-0300	24 x 16 x 35.5	5/8 F	1 1/8 S	38.2	12	13	1/2 S	3/8 F	310
NJNL-0302	24 x 16 x 35.5	5/8 F	1 1/8 S	38.2	12	13	1/2 S	3/8 F	310

ELECTRICAL DATA

Order Number	208-230/1/60		208-230/3/60		575/3/60	
	MCA	Max Fuse	MCA	Max Fuse	MCA	Max Fuse
NJNL-0050-CAV, TAC	5.1	15	3.4	15	-	-
NJNL-0075-CAV, TAC	7.4	15	4.9	15	-	-
NJNL-0076-CAV, TAC	7.6	15	4.6	15	-	-
NJNL-0100-CAV, TAC	9.2	15	6.4	15	-	-
NJNL-0101-CAV	10.5	15	-	-	-	-
NJNL-0150-CAV, TAC	13.0	20	8.9	15	-	-
NJNL-0201-CAB, TAC	13.1	20	9.1	15	-	-
NJNL-0200-CAV, TAC, TAE	19.0	30	9.9	15	4.5	15
NJNL-0301-CAB, TAC	18.6	30	13.7	20	-	-
NJNL-0300-CAB, TAC, TAE	22.0	35	17.2	25	6.3	15
NJNL-0302-CAB, TAC	19.9	30	16.9	25	-	-

Electrical Codes

CAV, CAB	208/230/1/60
TAC	208/230/3/60
TAE	575/3/60

COPELAND

N-LINE REMOTE CONDENSING UNITS

LOW TEMPERATURE DISCUS - 3 HP TO 30 HP

FOR USE WITH R404A / R507



CAPACITIES

Capacity BTU/hr @ 95°F Ambient and 110°F Condensing Temperature

Order Number	Compressor	HP	0	-5	-10	-15	-20	-25	-30	-35	-40
NJDL-0300	2DF3-030E	3	31,000	27,300	23,900	20,800	18,000	15,400	12,980	10,780	8,730
NJDL-0400	2DL3-040E	4	37,100	32,800	28,800	25,100	21,800	18,700	15,930	13,370	11,010
NJDL-0600	2DA3-060E	6	42,100	37,300	32,900	28,900	25,200	21,800	18,720	15,810	13,080
NJDL-0601	3DA3-060E	6	50,600	44,900	39,700	34,900	30,500	26,400	22,720	19,330	16,220
NJDL-0602	2DB3-060E	6	45,400	40,200	35,400	31,000	27,000	23,300	19,840	16,680	13,750
NJDL-0750	3DB3-075E	7 1/2	59,700	53,000	46,900	41,300	36,200	31,500	27,180	23,150	19,330
NJDL-0900	3DF3-090E	9	73,400	65,100	57,500	50,500	44,200	38,400	33,040	28,180	23,720
NJDL-1000	3DS3-100E	10	81,300	72,500	64,400	56,800	49,900	43,400	37,440	31,960	26,910
NJDL-1500	4DL3-150E	15	109,800	97,900	87,100	77,500	68,600	60,400	52,620	45,110	37,640
NJDL-2200	4DT3-220E	22	130,900	117,200	104,600	92,800	81,800	71,500	61,600	52,090	42,800
NJDL-2700	6DL3-270E	27	167,700	149,800	132,900	117,100	102,200	88,400	75,630	63,920	53,290
NJDL-3000	6DT3-300E	30	188,100	167,300	148,000	130,400	114,100	99,000	85,160	72,290	60,300

SPECIFICATIONS

Order Number	L x W x H (in)	Connecting Lines (in)		Receiver Capacity	Mounting (in)		Receiver (in)		Ship Weight (lbs)
		Discharge	Suction		Length	Width	Inlet	Outlet	
NJDL-0300	30 x 16 x 36	7/8 S	1 3/8 S	49.1	12	13	5/8 S	5/8 F	410
NJDL-0400	30 x 16 x 36	7/8 S	1 3/8 S	49.1	12	13	5/8 S	5/8 F	410
NJDL-0600	30 x 16 x 36	7/8 S	1 3/8 S	49.1	12	13	5/8 S	5/8 F	430
NJDL-0601	32 x 15.2 x 38.7	1 1/8 S	1 3/8 S	78.7	15	13	5/8 S	5/8 F	450
NJDL-0602	30 x 14.5 x 36	7/8 S	1 3/8 S	49.1	12	13	5/8 S	5/8 F	430
NJDL-0750	32 x 15.2 x 38.7	1 1/8 S	1 3/8 S	78.7	15	13	5/8 S	5/8 F	450
NJDL-0900	43 x 17 x 39	1 1/8 S	1 3/8 S	108.4	24	15.5	7/8 S	7/8 S	460
NJDL-1000	43 x 17 x 39	1 1/8 S	1 3/8 S	108.4	24	15.5	7/8 S	7/8 S	460
NJDL-1500	43 x 20.7 x 38.5	1 1/8 S	1 5/8 S	143.5	24	15.5	1 1/8 S	1 1/8 S	565
NJDL-2200	51 x 20.5 x 40.5	1 3/8 S	2 1/8 S	180.1	24	15.5	1 1/8 S	1 1/8 S	645
NJDL-2700	51 x 23 x 41.5	1 3/8 S	2 1/8 S	180.1	24	15.5	1 1/8 S	1 1/8 S	675
NJDL-3000	51 x 23 x 43.5	1 3/8 S	2 1/8 S	180.1	24	15.5	1 1/8 S	1 1/8 S	715

ELECTRICAL DATA

Order Number	208-230/3/60		460/3/60		575/3/60	
	MCA	Max Fuse	MCA	Max Fuse	MCA	Max Fuse
NJDL-0300-TFC, TFD, TFE	22.2	35	10.9	15	9.5	15
NJDL-0400-TFC, TFD, TFE	34.0	50	13.5	20	10.8	15
NJDL-0600-TFC, TFD, TFE	37.2	60	13.5	20	12.5	20
NJDL-0601-TFC, TFD, TFE	39.3	50	17.9	25	14.3	20
NJDL-0602-TFC, TFD, TFE	36.4	50	17.4	25	13.2	20
NJDL-0750-TFC, TFD, TFE	40.5	70	20.9	35	14.9	20
NJDL-0900-TFC, TFD, TFE	49.9	80	21.9	35	21.8	35
NJDL-1000-TFC, TFD, TFE	53.7	90	24.0	40	22.2	35
NJDL-1500-TSC, TSD, TSE	66.9	110	33.6	50	27.3	45
NJDL-2200-TSC, TSD, TSE	83.7	125	42.0	70	31.4	50
NJDL-2700-TSC, TSD, TSE	102.2	175	51.3	90	41.8	70
NJDL-3000-TSC, TSD, TSE	120.6	200	60.6	90	50.7	80

Electrical Codes

TFC, TSC	208/230/3/60
TFD, TSD	460/3/60
TFE, TSE	575/3/60

E-LINE AND D-LINE COPELAMETIC AIR-COOLED CONDENSING UNITS

HIGH / MEDIUM TEMPERATURE - 1/2 HP TO 2 HP

FOR USE WITH R22

CAPACITIES



Capacity BTU/hr @ 90°F Ambient - Evaporator Temperature

Order Number	Compressor	HP	+45	+40	+35	+30	+25	+20	+15	+10	0
E3AH-A050	HAG*-0050	1/2	5,870	5,400	4,940	4,510	4,100	3,700	3,330	2,980	-
E3AM-A050	HAJ*-0050	1/2	-	-	-	-	4,420	4,010	3,600	3,220	2,530
E3AH-A075	KAN*-0075	3/4	9,100	8,280	7,500	6,760	6,060	5,400	4,770	4,170	-
E3AM-A075	KAE*-0075	3/4	-	-	-	-	7,110	6,410	5,780	5,210	4,160
E3AH-A100	KAR*-0100	1	11,600	10,700	9,830	8,960	8,130	7,320	6,550	5,820	-
E3AM-A101	KAM*-0100	1	-	-	-	-	9,650	8,750	7,890	7,070	5,570
D3AH-0075	KAN*-0075	3/4	9,750	8,830	7,960	7,150	6,380	5,660	4,990	4,350	-
D3AM-0075	KAE*-0075	3/4	-	-	-	-	7,620	6,780	6,130	5,590	4,250
D3AH-0100	KAR*-0100	1	12,100	11,100	10,100	9,140	8,250	7,420	6,650	5,920	-
D3AM-0100	KAM*-0100	1	-	-	-	-	9,960	8,980	8,080	7,250	5,760
D3AH-0150	KAG*-0150	1 1/2	16,500	15,000	13,700	12,400	11,200	10,100	9,000	8,010	-
D3AH-0200	ERA*-0200	2	22,900	20,800	18,800	16,800	14,900	13,000	11,200	9,420	-
D3AM-0200	KAK*-0200	2	-	-	-	-	15,400	13,800	12,600	11,800	10,000
D3AM-0201	ERC*-0200	2	-	-	-	-	18,100	16,200	14,700	13,300	10,600

SPECIFICATIONS

Order Number	L x W x H (in)	Connecting Lines (in)		Receiver Capacity	Air Flow (CFM)	Ship Weight (lbs)
		Liquid	Suction			
E3AH-A050	19.5 x 14.8 x 12	1/4 FL	1/2 FL	2.5	331	124
E3AM-A050	19.5 x 14.8 x 12	1/4 FL	1/2 FL	2.5	331	124
E3AH-A075	24 x 17.9 x 13.6	3/8 FL	5/8 FL	6.3	767	160
E3AM-A075	24 x 17.9 x 13.6	3/8 FL	5/8 FL	6.3	767	160
E3AH-A100	24 x 17.9 x 13.6	3/8 FL	5/8 FL	6.3	712	164
E3AM-A101	24 x 17.9 x 13.6	3/8 FL	5/8 FL	6.3	712	164
D3AH-0075	19.5 x 22.5 x 11.4	3/8 FL	5/8 FL	6.3	445	141
D3AM-0075	19.5 x 22.5 x 11.4	3/8 FL	5/8 FL	6.3	445	141
D3AH-0100	19 x 22.5 x 13.3	3/8 FL	5/8 FL	6.3	763	146
D3AM-0100	19 x 22.5 x 13.3	3/8 FL	5/8 FL	6.3	763	146
D3AH-0150	24.5 x 31.6 x 14.9	3/8 FL	7/8 SWT	13.2	1,196	210
D3AH-0200	28 x 32 x 14.9	3/8 FL	7/8 SWT	13.2	1,000	290
D3AM-0200	28 x 32 x 14.9	3/8 FL	7/8 SWT	13.2	1,000	230
D3AM-0201	28 x 32 x 14.9	3/8 FL	7/8 SWT	13.2	1,000	290

ELECTRICAL DATA

Order Number	115/1/60		208/1/60		230/1/60		208-230/3/60		460/3/60	
	MCA	Max Fuse	MCA	Max Fuse	MCA	Max Fuse	MCA	Max Fuse	MCA	Max Fuse
E3AH-A050-CAA, CAV, TAC	11.9	15	5.7	15	5.7	15	3.7	15	-	-
E3AM-A050-CAA, CAV, TAC	11.7	15	5.3	15	5.3	15	3.5	15	-	-
E3AH-A075-CAA, CAV, TAC	16.6	25	8.8	15	8.8	15	5.5	15	-	-
E3AM-A075-CAA, CAV, TAC	15.6	20	7.9	15	7.9	15	5.4	15	-	-
E3AH-A100-CAA, CAV, TAC, TAD	21.3	30	10.4	15	10.4	15	6.5	15	3.4	15
E3AM-A100-CAA, CAV, TAC	21.4	30	10.5	15	10.5	15	6.8	15	3.5	15
D3AH-0075-CAA, CAV, TAC	16.9	20	9.1	15	9.1	15	5.8	15	-	-
D3AM-0075-CAA, CAV, TAC	15.9	20	8.2	15	8.2	15	6.7	15	-	-
D3AH-0100-CAA, CAV, TAC, TAD	21.5	30	10.7	15	10.7	15	6.8	15	3.8	15
D3AM-0100-CAA, CAV, TAC, TAD	21.6	30	11.7	15	11.7	15	8.0	15	3.8	15
D3AH-0150-CAV, TAC, TAD	-	-	14.2	20	14.2	20	9.2	15	4.6	15
D3AH-0200-CAB, TAC, TAD	-	-	-	-	15.3	20	10.6	15	5.9	15
D3AM-0200-CAV, TAC, TAD	-	-	13.0	15	13.0	15	10.8	15	5.2	15
D3AM-0201-CAB, TAC, TAD	-	-	-	-	16.0	20	10.8	15	5.2	15

Electrical Codes

IAA, CAA	115	TAC	208/230/3/60
CAV	208/1/60	TAD	460/3/60
CAV & CAB	230/1/60		

COPELAND

E-LINE AND D-LINE COPELAMETIC AIR-COOLED CONDENSING UNITS

LOW TEMPERATURE - 1/3 HP TO 3 HP

FOR USE WITH R404A / R507



CAPACITIES

Capacity BTU/hr @ 90°F Ambient - Evaporator Temperature

Order Number	Compressor	HP	0	-5	-10	-15	-20	-25	-30	-35	-40
EJAL-A033	HAF*-003E	1/3	1,800	1,560	1,340	1,130	939	770	623	498	396
EJAL-A050	KAN*-005E	1/2	3,400	2,990	2,640	2,320	2,030	1,750	1,490	1,250	1,010
EJAL-A075	KAM*-007E	3/4	5,630	5,140	4,670	4,200	3,750	3,320	2,900	2,490	2,080
EJAL-A100	KAJ*-010E	1	7,070	6,360	5,690	5,080	4,510	3,980	3,490	3,030	2,580
EJAL-A101	KAK*-020E	1 1/4	7,850	7,050	6,300	5,600	4,960	4,370	3,820	3,300	2,780
EJAE-0175	KAT*-015E	1 3/4	-	-	-	-	7,940	6,970	6,050	5,160	4,290
DJAL-0075	KAM*-007E	3/4	5,400	4,910	4,450	4,020	3,590	3,170	2,750	2,340	1,950
DJAL-0100	KAJ*-010E	1	6,720	6,180	5,630	5,080	4,540	4,020	3,520	3,050	2,610
DJAL-0150	KAL*-015E	1 1/2	10,400	9,400	8,380	7,410	6,530	5,770	5,130	4,570	4,030
DJAL-0151	EAD*-020E	1 1/2	12,600	11,400	10,200	9,020	7,920	6,870	5,890	4,940	4,000
DJAL-0200	EAV*-021E	2	14,600	13,100	11,700	10,500	9,280	8,180	7,140	6,160	5,250
DJAL-0300	LAH*-032E	3	25,300	22,200	19,400	16,900	14,500	12,400	10,600	9,040	7,940

SPECIFICATIONS

Connecting Lines (in)

Order Number	L x W x H (in)	Liquid	Suction	Receiver Capacity	Air Flow (CFM)	Ship Weight (lbs)
EJAL-A033	19.5 x 14.5 x 11.5	1/4 FL	1/2 FL	1.6	236	109
EJAL-A050	19.5 x 14.5 x 12	1/4 FL	1/2 FL	2.2	331	124
EJAL-A075	24 x 17.9 x 13.3	3/8 FL	5/8 FL	5.4	767	160
EJAL-A100	24 x 17.9 x 13.3	3/8 FL	5/8 FL	5.4	712	164
EJAL-A101	24 x 17.9 x 13.3	3/8 FL	5/8 FL	5.4	712	165
EJAE-0175	26.2 x 18.3 x 16	3/8 FL	7/8 SWT	5.4	1,050	172
DJAL-0075	19.5 x 22.5 x 11.4	3/8 FL	5/8 FL	5.4	445	141
DJAL-0100	19 x 25.5 x 13.3	3/8 FL	5/8 FL	5.4	763	146
DJAL-0150	24.5 x 31.6 x 14.9	3/8 FL	7/8 SWT	10.3	1,196	210
DJAL-0151	24.5 x 31.6 x 14.9	3/8 FL	7/8 SWT	10.3	1,196	275
DJAL-0200	28 x 32 x 14.9	3/8 FL	7/8 SWT	10.3	1,000	290
DJAL-0300	26.2 x 34.1 x 18.8	3/8 FL	1 1/8 SWT	10.3	2,420	388

ELECTRICAL DATA

Order Number	115/1/60		208/1/60		230/1/60		208-230/3/60		460/3/60	
	MCA	Max Fuse	MCA	Max Fuse	MCA	Max Fuse	MCA	Max Fuse	MCA	Max Fuse
EJAL-A033-IAA	7.7	15	-	-	-	-	-	-	-	-
EJAL-A050-IAA, CAV, TAC	11.1	15	5.2	15	5.2	15	3.3	15	-	-
EJAL-A075-CAA, CAV, TAC	15.6	20	8.2	15	8.2	15	5.2	15	-	-
EJAL-A100-CAV	-	-	10.6	15	10.6	15	-	-	-	-
EJAL-A101	-	-	-	-	-	-	-	-	-	-
EJAE-0175-CAV, CAV, TAC	-	-	14.9	20	14.9	20	TBD	-	-	-
DJAL-0075-CAA, CAV, TAC	15.9	20	8.4	15	8.4	15	5.4	15	-	-
DJAL-0100-CAV, TAC	-	-	10.0	15	10.0	15	TBD	-	TBD	-
DJAL-0150-CAV, TAC	-	-	14.7	20	14.7	20	10.6	15	6.6	15
DJAL-0151-CAB, TAC	-	-	-	-	TBD	-	10.8	15	-	-
DJAL-0200-CAV, TAC, TAD	-	-	20.7	30	20.7	30	11.6	15	6.4	15
DJAL-0300-CAB, TAC, TAD	-	-	-	-	TBD	-	21.8	25	10.7	15

Electrical Codes

IAA, CAA	115	TAC	208/230/3/60
CAV	208/1/60	TAD	460/3/60
CAV & CAB	230/1/60		

E-LINE AND D-LINE COPELAMETIC WATER-COOLED CONDENSING UNITS

HIGH / MEDIUM TEMPERATURE - 1/2 HP TO 2 HP

FOR USE WITH R22

CAPACITIES

Capacity BTU/hr @ 75°F Inlet Water - Evaporator Temperature

Order Number	Compressor	HP	+45	+40	+35	+30	+25	+20	+15	+10
E3WM-C050	HWJ2-0050	1/2	-	-	-	-	4,790	4,270	3,790	3,360
E3WM-C075	KWE2-0075	3/4	-	-	-	-	7,940	6,950	3,190	5,570
D3WM-C100	KWM2-0100	1	-	-	-	-	10,600	9,530	8,520	7,580
D3WH-C150	KWGB-0150	1 1/2	18,200	16,400	14,700	13,100	11,700	10,300	9,100	7,970
D3WM-C200	KWKB-0200	2	-	-	-	-	16,200	14,400	12,800	11,300

SPECIFICATIONS

Order Number	L x W x H (in)	Connecting Lines (in)		Water Connections (in)		Receiver Capacity	Ship Weight (lbs)
		Liquid	Suction	In	Out		
E3WM-C050	24 x 17 x 11.4	1/4 FL	1/2 FL	3/8 FPT	3/8 ST	3.7	126
E3WM-C075	24 x 17.3 x 11.4	3/8 FL	5/8 FL	3/8 FPT	3/8 ST	6.3	153
D3WM-C100	24 x 19.4 x 11.4	3/8 FL	5/8 FL	3/8 FPT	5/8 SW	6.3	180
D3WH-C150	24 x 19.4 x 11.3	3/8 FL	7/8 SW	1/2 FPT	5/8 SW	13.2	200
D3WM-C200	24.6 x 19.5 x 13	3/8 FL	7/8 SW	1/2 FPT	5/8 SW	12.0	200

ELECTRICAL DATA

Order Number	115/1/60		208-230/1/60		208-230/3/60		460/3/60	
	MCA	Max Fuse	MCA	Max Fuse	MCA	Max Fuse	MCA	Max Fuse
E3WM-C050-CAA, CAV, TAC	10.6	15	4.6	15	2.8	15	-	-
E3WM-C075-CAA, CAV, TAC	13.6	20	6.8	15	4.3	15	-	-
D3WM-C100-CAV, TAC, TAD	-	-	9.4	15	5.5	15	2.8	15
D3WH-C150-CAV, TAC, TAD	-	-	13.3	20	6.9	15	3.1	15
D3WM-C200-CAV, TAC, TAD	-	-	13.6	20	8.5	15	3.8	15

Electrical Codes

CAA	115
CAV	208/230/3/60
TAC	208/230/3/60
TAD	460/3/60

COPELAND

E-LINE AND D-LINE COPELAMETIC WATER-COOLED CONDENSING UNITS

LOW TEMPERATURE - 1/3 HP TO 2 HP

FOR USE WITH R404A / R507

CAPACITIES

Capacity BTU/hr @ 75°F Inlet Water - Evaporator Temperature

Order Number	Compressor	HP	0	-5	-10	-15	-20	-25	-30	-35	-40
EJWL-C033	HWFB-003E	1/3	1,880	1,570	1,360	1,190	1,040	891	732	582	470
EJWL-C050	KWN*-005E	1/2	3,760	3,280	2,820	2,390	1,980	1,600	1,250	960	742
EJWM-C050	HWJ*-005E	1/2	2,870	2,511	-	-	-	-	-	-	-
EJWL-C075	KWM*-007E	3/4	6,060	5,250	4,490	3,820	3,240	2,740	2,300	1,890	1,450
EJWM-C075	KWN*-007E	3/4	3,485	2,962	-	-	-	-	-	-	-
DJWL-C100	KWJ*-010E	1	8,150	7,160	6,270	5,460	4,700	3,990	3,340	2,770	2,310
DJWL-C150	KWL*-015E	1 1/2	11,900	10,600	9,300	8,100	7,000	600	5,120	4,360	3,710
DJWM-C150	KWG*-010E	1 1/2	6,355	5,432	-	-	-	-	-	-	-
DJWL-C200	EWV*-021E	2	15,600	13,600	11,700	9,980	8,360	6,870	5,540	4,420	3,590
DJWM-C200	KWK*-021E	2	8,918	7,995	-	-	-	-	-	-	-

SPECIFICATIONS

Order Number	L x W x H (in)	Connecting Lines (in)		Water Connections (in)		Receiver Capacity	Ship Weight (lbs)
		Liquid	Suction	In	Out		
EJWL-C033	24 x 17 x 11.3	1/4 FL	1/2 FL	3/8 FPT	3/8 SW	3.2	149
EJWL-C050	24 x 17 x 11.3	1/4 FL	1/2 FL	3/8 FPT	3/8 SW	3.2	149
EJWM-C050	24 x 17 x 11.4	1/4 FL	1/2 FL	3/8 FPT	3/8 SW	3.2	126
EJWL-C075	24 x 17 x 11.3	3/8 FL	5/8 FL	3/8 FPT	3/8 SW	5.4	156
EJWM-C075	24 x 17.3 x 11.4	3/8 FL	5/8 FL	3/8 FPT	3/8 SW	5.4	153
DJWL-C100	24 x 17 x 11.3	3/8 FL	5/8 FL	3/8 FPT	5/8 SW	5.4	183
DJWL-C150	24 x 17 x 11.3	3/8 FL	7/8 SW	1/2 FPT	5/8 SW	10.3	187
DJWM-C150	24 x 19.4 x 11.3	3/8 FL	7/8 SW	1/2 FPT	5/8 SW	10.3	200
DJWL-C200	31.5 x 24.6 x 15.3	3/8 FL	7/8 SW	1/2 FPT	5/8 SW	10.3	273
DJWM-C200	31.5 x 24.3 x 14	3/8 FL	7/8 SW	1/2 FPT	5/8 SW	10.3	200

ELECTRICAL DATA

Order Number	115/1/60		208-230/1/60		208-230/3/60		460/3/60	
	MCA	Max Fuse	MCA	Max Fuse	MCA	Max Fuse	MCA	Max Fuse
EJWL-C033-IAA	6.8	15	-	-	-	-	-	-
EJWL-C050-IAA, CAV, TAC	10.0	15	4.5	15	2.8	-	-	-
EJWM-C050-CAV	-	-	4.6	15	-	-	-	-
EJWL-C075-CAV, TAC	13.6	20	7.0	15	4.0	-	-	-
EJWM-C075-CAV, TAC	-	-	6.8	15	3.8	15	-	-
DJWL-C100-CAV, TAC, TAD	-	-	8.6	15	TBD	-	TBD	-
DJWL-C150-CAV, TAC, TAD	-	-	12.4	20	8.3	15	4.3	15
DJWM-C150-CAV, TAC, TAD	-	-	9.4	15	5.4	15	TBD	-
DJWL-C200-CAV, TAC, TAD	-	-	18.4	20	9.3	15	4.9	15
DJWM-C200-CAV, TAC	-	-	13.3	20	8.5	15	-	-

Electrical Codes

IAA, CAA	115
CAV	208
TAC	208/230/3/60

REFRIGERATION COMPRESSORS

1/16 HP TO 1/3 HP

FOR USE WITH R12 / 406A / R414B



CAPACITIES

Order Number	Motor HP	Capacity BTU/hr		Replacement Guide			
		L/M BP	HBP	Danfoss	Matsushita	Tecumseh	Oil Coolers
30-EM20	1/16	203	-	TL2A	-	AZ	No
30-EM30	1/12	310	-	TL3A	-	AZ1335D	No
30-PW45K9	1/8	377	-	PW4.5A, PW4.5K9	FN43F67R	AE1336A	No
30-EM40	1/8	426	-	TFS4A	-	AE1336A, AE1343A	No
30-EM55	1/6	565	-	TFS5A	-	AZ	No
30-FF6BKW	1/5	655	2,110	-	FN66F11R, MA16-634A	AE1336A, AE1360A, AE1343A, AE3414A, AE3417A	Yes
30-FF7.5BKW	1/5+	755	2,350	FFS7A, FR7.5B	FN73F13R, MA15-734	AE3425D	Yes
30-FF8.5BKW	1/4	854	2,651	FFS8A, FF8.5A	FN91F17R, MA14-889A	AE1380A	Yes
30-FF10BKW	1/4+	913	3,244	FFS9A, FF10A	-	AE3430A, AE1410A	Yes
30-FF10BX	1/4+	862	3,200	-	-	AE2410A, AE4430A	No
30-FF10SV	1/4+	900	3,048	c/w service valve	c/w service valve	AE2410A, AE4430A	No
30-FF11.5BKW	1/3	1,150	3,650	-	FN110F22S, FN110Q22S, MA13-1050	AE1410A, AE1411A	Yes
30-FF112BKW	1/3+	1,300	4,000	SC12A, SC15A	-	AE1413A, AE3440A	Yes
30-FF112BX	1/3+	1,350	4,150	SC128	-	AE2413A, AE2415A, AE4440A, AE4448A	No
30-FF112SV	1/3+	1,350	4,150	c/w service valve	c/w service valve	AE2413A, AE2415A, AE4440A, AE4448A	No

RATING CONDITIONS - R12 / 406A / R414B

Low	Back Pressure Description	High
130°F	Condensing Temperature	130°F
-10°F	Evaporator Temperature	45°F
90°F	Return Gas Temperature	90°F
90°F	Ambient Temperature	90°F
90°F	Liquid Temperature Entering Expansion Valve	90°F

ELECTRICAL DATA - R12 / 406A / R414B

Order Number	Old Style Relay and Overload (one-piece)	Hard Start Kit (old style)	New Style Relay and Overload (two-piece)	Start Capacitor
30-EM20	30-EM20-402	30-HS7	30-1350422	35-145A125
30-EM30	30-EM30-400	30-HS7	30-1350414	35-145A125
30-EM40	30-EM40-404	30-HS7	30-1350410	35-145A125
30-EM55	30-EM55-406	30-HS6	30-1350424	35-216A125
30-PW4.5K9	30-PWK9-154	30-HS3	30-1350339	35-324D125
30-FF6BKW	30-FF6-178	30-HS5	30-1350038	35-233A125
30-FF7.5BKW	30-FF7.5-179	30-HS4	30-1350035	35-270B125
30-FF8.5BKW	30-FF8.5-180	30-HS4	30-1350365	35-270B125
30-FF10BKW	30-FF10-181	30-HS1	30-1350132	35-460D125
30-FF10BX	-	30-HS16	30-135038	35-270B125
30-FF10SV	-	30-HS16	30-1350338	35-270B125
30-FF11.5BKW	30-FF11-182	30-HS1	30-1350367	35-460D125
30-FF112BKW	30-FF11-182	30-HS1	30-1350130	35-460D125
30-FF112BX	30-FF112-006	30-HS2	30-1350131	35-378D125
30-FF112SV	30-FF112-006	30-HS2	30-1350131	35-378D125

COPELAND

HERMETIC COMMERCIAL REFRIGERATION COMPRESSORS

HIGH TEMPERATURE- 1/5 HP TO 2 HP

FOR USE WITH R22



RATING CONDITIONS (°F): Evaporation: 20 / Condensing: 120 / Return Gas: 40 / Liquid: 120 / Ambient: 95

Capacitor

Order Number	CFH	Volts/Phase	BTU/hr	Watts	Amps	Start (014-)	Run (014-)	Relay Part (040-)
ARB21C3-IAA-901	37	115/1	1,340	310	4.2	0038-00	-	C411-72
ARE36C3-IAA-901	59	115/1	2,130	440	5.7	0038-00	-	C411-82
ARE36C3-SAA-901	59	115/1	2,130	440	5.7	-	-	C401-82
ARE43C3-IAA-901	65	115/1	2,430	500	5.9	0038-00	-	C411-82
ARE59C3-CAA-901	90	115/1	3,550	640	5.7	0036-11	0037-14	0001-88
ARE59C3-CAV-901	90	208-230/1	3,520	630	209	0008-74	0037-13	0001-71
ART69C1-IAA-901	108	115/1	4,020	670	8.1	0038-10	-	C016-03
ART69C1-IAV-901	108	208-230/1	4,020	670	3.9	0038-05	-	C411-79
ART82C1-CAA-901	129	115/1	4,760	830	9.6	0036-04	0037-17	0001-79
ART82C1-CAV-901	129	208-230/1	4,760	830	4.7	0008-70	0037-13	0001-68
RSE4-0075-IAA-901	135	115/1	5,060	943	13.2	0008-79	-	0001-80
RSE4-0075-IAV-901	135	208-230/1	5,060	943	6.6	0008-66	-	0001-54
ART97C1-PAA-901	152	115/1	5,660	1,010	11.9	0036-13	0037-15	0001-79
ART97C1-PAV-901	152	208-230/1	5,660	1,010	5.8	0036-13	0037-14	0001-68
RRG4-0100-PAA-959	161	115/1	6,170	1,050	9.8	0008-48	0037-09	0001-60
RRG4-0100-PAV-959	161	208-230/1	6,170	1,050	4.9	0008-72	0037-06	0001-54
RS70C1-PFV-959	175	208-230/1	7,090	1,110	5.1	0008-66	0037-09	0001-60
RS70C1-TFC-909	175	208-230/3	7,370	1,020	3.1	-	-	-
RR14K1-PFV-959	196	208-230/1	8,400	1,270	5.9	0006-00	0037-09	0001-60
RR17K1-PFV-959	227	208-230/1	9,950	1,480	6.6	0008-74	0037-10	0001-79
RR17K1-TFC-950	227	208-230/3	10,200	1,420	4.4	-	-	-

DIMENSIONAL SUMMARY

Order Number	Cylinder	Dimensions (in)			Mounting (in)		Service Connections (in)		Ship Weight (lbs)
		Length	Width	Height	Length	Width	Discharge	Suction	
ARB21C3-IAA	1	10.50	6.00	7.60	6.50	4.00	1/4	5/16	24
ARE36C3-IAA	1	10.50	6.00	8.10	6.50	4.00	1/4	5/16	26
ARE36C3-SAA	1	10.50	6.00	8.10	6.50	4.00	1/4	5/16	26
ARE43C3-IAA	1	10.50	6.00	8.10	6.50	4.00	1/4	5/16	27
ARE59C3-CAA	1	10.50	6.00	8.60	6.50	4.00	1/4	5/16	25
ARE59C3-CAV	1	10.50	6.00	8.60	8.00	4.00	1/4	5/16	25
ART69C1-IAA	1	9.56	6.63	8.57	8.00	4.81	1/4	3/8	43
ART69C1-IAV	1	9.56	6.63	8.57	8.00	4.81	1/4	3/8	43
ART82C1-CAA	1	9.56	6.63	8.75	8.00	4.81	1/4	3/8	43
ART82C1-CAV	1	9.56	6.63	8.75	8.00	4.81	1/4	3/8	43
RSE4-0075-IAA	1	9.38	6.63	11.13	8.00	4.81	1/4	3/8	51
RSE4-0075-IAV	1	9.38	6.63	11.13	8.00	4.81	1/4	3/8	51
ART97C1-PAA	1	9.80	6.70	8.70	8.00	4.80	1/4	3/8	43
ART97C1-PAV	1	9.80	6.70	8.70	8.00	4.80	1/4	3/8	43
RRG4-0100-PAA	1	9.38	6.63	11.13	8.00	4.81	1/4	3/8	51
RRG4-0100-PAV	1	9.38	6.63	11.13	8.00	4.81	1/4	3/8	51
RS70C1-PFV	1	9.38	6.63	10.75	8.00	4.81	1/3	1/2	51
RS70C1-TFC	1	9.38	6.63	10.75	8.00	4.81	1/3	1/2	51
RR14K1-PFV	1	9.38	6.63	11.13	8.00	4.81	1/3	1/2	49
RR17K1-PFV	1	9.38	6.63	11.13	8.00	4.81	1/3	1/2	46
RR17K1-TFC	1	9.38	6.63	11.13	8.00	4.81	1/3	1/2	46

HERMETIC COMMERCIAL REFRIGERATION COMPRESSORS

HIGH TEMPERATURE - 1/6 HP TO 3 HP

FOR USE WITH R134A



RATING CONDITIONS (°F): Evaporation: 45 / Condensing: 130 / Return Gas: 65 / Liquid: 130 / Ambient: 95

Order Number	CFH	Volts/Phase	Conditions			Capacitor		Relay Part (040-)
			BTU/hr	Watts	Amps	Start (014-)	Run (014-)	
ARB13C3E-IAA	37	115/1	1,350	250	3.0	0038-00	-	C411-52
ARB12C3E-SAA	37	115/1	1,350	250	3.0	-	-	C401-40
ARB17C3E-IAA-901	45	115/1	1,680	320	3.6	0038-00	-	C411-61
ARB17C3E-SAA	45	115/1	1,680	320	3.6	-	-	C401-49
ARE25C3E-IAA-959	59	115/1	2,520	420	4.5	0038-00	-	C411-35
ARE25C3E-SAA-901	59	115/1	2,520	420	4.5	-	-	C401-72
ARE27C3E-IAA-902	65	115/1	2,730	460	5.1	0038-00	-	C411-66
ARE27C3E-SAA-901	65	115/1	2,730	460	5.1	-	-	C411-66
ARE37C3E-IAA-902	90	115/1	3,750	600	7.1	0038-00	-	C411-82
ARE37C3E-IAV-901	90	208-230/1	3,790	590	3.4	0036-03	-	C411-45
ARE37C3E-SAA-901	90	115/1	3,620	600	6.8	-	-	C401-82
ARE41C3-IAA-901	100	115/1	3,950	660	7.5	0038-04	-	C411-83
ART51C1E-IAA-901	129	115/1	4,880	830	9.1	0038-04	-	C411-80
ART51C1E-IAV-959	129	208-230/1	4,880	830	4.5	0008-65	-	C411-79
ART62C1E-IAA-901	152	115/1	5,880	970	11.5	0038-04	-	C411-89
ART62C1E-IAV-901	152	208-230/1	6,100	960	5.4	0008-65	-	C411-79
ART64C1E-IAA-901	162	115/1	6,400	1,050	11.3	0006-03	-	C411-91
ART64C1E-IAV-901	162	208-230/1	6,360	1,070	6.0	0036-03	-	C411-79
RR81C1E-IAA-958	210	115/1	8,070	1,220	14.8	0008-71	-	0001-80
RR81C1E-IAV-958	210	208-230/1	8,070	1,220	7.4	0008-72	-	0001-60
RR10K1E-CAV-959	244	208-230/1	10,000	1,370	6.5	0008-66	0037-06	0001-54
CS27K3E-PFV-970	665	208-230/1	30,100	3,360	16.8	0006-03	0037-18	0001-64
CS27K3E-TF5-970	665	200-230/3	29,700	3,220	9.9	-	-	-
CS27K3E-TFD	665	380-460/3	29,700	3,220	4.9	-	-	-
CS33K3E-PFV-970	756	208-230/1	36,500	4,020	20.1	0006-03	0037-20	0001-68
CS33K3E-TF5-970	756	200-230/3	35,300	3,890	11.5	-	-	-
CS33K3E-TFD	756	380-460/3	35,300	3,890	5.7	-	-	-

MEDIUM TEMPERATURE

FOR USE WITH R134A

RATING CONDITIONS (°F): Evaporation: 20 / Condensing: 120 / Return Gas: 40 / Liquid: 120 / Ambient: 95

Order Number	CFH	Volts/Phase	Conditions			Capacitor		Relay Part (040-)
			BTU/hr	Watts	Amps	Start (014-)	Run (014-)	
RS40C1E-IAA	162	115/1	3,990	836	10.6	0008-71	-	0001-62
RS40C1E-IAV	162	208-230/1	3,990	836	5.3	0008-64	-	0088-03
RS54C1E-IAA	244	115/1	5,400	1,070	14.0	0008-79	-	0001-62
RS54C1E-IAV	244	208-230/1	5,400	1,070	7.0	0008-72	-	0001-60

EXTENDED MEDIUM TEMPERATURE

FOR USE WITH R134A

RATING CONDITIONS (°F): Evaporation: 20 / Condensing: 120 / Return Gas: 40 / Liquid: 120 / Ambient: 95

Order Number	CFH	Volts/Phase	Conditions			Capacitor		Relay Part (040-)
			BTU/hr	Watts	Amps	Start (014-)	Run (014-)	
AFB04C3E-SAA	46	115/1	370	160	2.4	-	-	C401-40
AFB05C3E-IAA-901	62	115/1	500	200	3.0	0038-04	-	C411-58
AFB05C3E-SAA	62	115/1	500	200	3.0	-	-	C401-58
AFE07C3E-IAA	69	115/1	710	250	4.2	0038-10	-	C411-82
AFE10C3E-IAA-901	90	115/1	940	300	4.9	0038-10	-	C411-89
AFT12C1E-IAA-901	140	115/1	1,240	450	5.3	0038-04	-	C411-85
RF18C1E-IAA-958	201	115/1	1,870	597	10.3	0008-79	-	0001-62
RF18C1E-IAV-958	201	208-230/1	1,870	597	5.2	0008-61	-	0001-63

COPELAND

HERMETIC COMMERCIAL REFRIGERATION COMPRESSORS

HIGH, MEDIUM AND EXTENDED MEDIUM TEMPERATURE - 1/6 HP TO 3 HP

FOR USE WITH R134A



DIMENSIONAL SUMMARY

Order Number	Cylinder	Dimensions (in)			Mounting (in)		Service Connections (in)		Ship Weight (lbs)
		Length	Width	Height	Length	Width	Discharge	Suction	
ARB13C3E-IAA	1	10.50	6.00	7.00	6.50	4.00	1/4	5/16	23
ARB13C3E-SAA	1	10.50	6.00	7.00	6.50	4.00	1/4	5/16	23
ARB17C3E-IAA	1	10.50	6.00	7.60	6.50	4.00	1/4	5/16	22
ARB17C3E-SAA	1	10.50	6.00	7.60	6.50	4.00	1/4	5/16	22
ARE25C3E-IAA	1	10.50	6.00	7.60	6.50	4.00	1/4	5/16	26
ARE25C3E-SAA	1	10.50	6.00	7.60	6.50	4.00	1/4	5/16	26
ARE27C3E-IAA	1	10.50	6.00	7.60	6.50	4.00	1/4	5/16	22
ARE27C3E-SAA	1	10.50	6.00	7.60	6.50	4.00	1/4	5/16	22
ARE37C3E-IAA	1	10.50	6.00	8.10	6.50	4.00	1/4	5/16	32
ARE37C3E-IAV	1	10.50	6.00	8.10	6.50	4.00	1/4	5/16	32
ARE37C3E-SAA	1	10.50	6.00	8.10	6.50	4.00	1/4	5/16	32
ARE41C-IAA	1	10.50	6.00	8.60	6.50	4.00	1/4	5/16	30
ART51C1E-IAA	1	11.40	6.50	7.90	8.00	4.80	1/4	5/16	30
ART51C1E-IAV	1	11.40	6.50	7.90	8.00	4.80	1/4	5/16	30
ART62C1E-IAA	1	11.40	6.50	8.70	8.00	4.80	1/4	5/16	31
ART62C1E-IAV	1	11.40	6.50	8.70	8.00	4.80	1/4	5/16	31
ART64C1E-IAA	1	11.40	6.50	8.70	8.00	4.80	1/4	5/16	37
ART64C1E-IAV	1	11.40	6.50	8.70	8.00	4.80	1/4	5/16	37
RR81C1E-IAA	1	10.75	6.63	11.25	8.00	4.81	5/16	1/2	51
RR81C1E-IAV	1	10.75	6.63	11.25	8.00	4.81	3/8	1/2	51
RR10K1E-CAV	1	10.75	6.63	11.25	8.00	4.81	3/8	1/2	51
CS27K3E-PFV	2	9.44	9.28	15.06	7.50	7.50	1/2	3/4	72
CS27K3E-TF5	2	9.44	9.28	15.06	7.50	7.50	1/2	3/4	72
CS27K3E-TFD	2	9.44	9.28	15.06	7.50	7.50	1/2	3/4	72
CS33K3E-PFV	2	9.44	9.28	15.31	7.50	7.50	1/2	7/8	76
CS33K3E-TF5	2	9.44	9.28	15.31	7.50	7.50	1/2	7/8	76
CS33K3E-TFD	2	9.44	9.28	15.31	7.50	7.50	1/2	7/8	76
RS40C1E-IAA	1	10.75	6.63	11.25	8.00	4.81	3/8	1/2	51
RS40C1E-IAV	1	10.75	6.63	11.25	8.00	4.81	3/8	1/2	51
RS54C1E-IAA	1	10.75	6.63	10.75	8.00	4.81	3/8	1/2	51
RS54C1E-IAV	1	10.75	6.63	10.75	8.00	4.81	3/8	1/2	51
AFB04C3E-SAA	1	10.50	3.00	7.00	6.50	4.00	1/4	5/16	28
AFB05C3E-IAA	1	10.50	6.00	7.60	6.50	4.00	1/4	5/16	27
AFB05C3E-SAA	1	10.50	6.00	7.60	6.50	4.00	1/4	5/16	27
AFE07C3E-IAA	1	10.50	6.00	8.10	6.50	4.00	1/4	5/16	24
AFE10C3E-IAA	1	10.50	6.00	8.10	6.50	4.00	1/4	5/16	26
AFT12C1E-IAA	1	11.40	6.70	7.90	8.00	4.80	1/4	3/8	29
RF18C1E-IAA	1	10.75	6.63	10.75	8.00	4.81	3/8	1/2	52
RF18C1E-IAV	1	10.75	6.63	10.75	8.00	4.81	3/8	1/2	52

COPELAWELD® COMMERCIAL REFRIGERATION COMPRESSORS

MEDIUM TEMPERATURE - 1/5 HP TO 1 1/4 HP

FOR USE WITH R404A



RATING CONDITIONS (°F): Evaporation: 20 / Condensing: 120 / Return Gas: 40 / Liquid: 120 / Ambient: 95

Order Number	CFH	Volts/Phase	Conditions			Capacitor		Relay Part (040-)
			BTU/hr	Watts	Amps	Start (014-)	Run (014-)	
ASB12C3E-IAA-901	37	115/1	1,250	340	4.3	0038-10	-	C411-72
ASB14C3E-IAA-901	45	115/1	1,530	470	6.0	0038-10	-	C411-82
ASE19C3E-IAA-901	54	115/1	1,850	520	6.1	0038-00	-	C411-71
ASE24C3E-IAA-901	65	115/1	2,310	550	6.7	0038-00	-	C411-82
ASE24C3E-IAV-901	65	208-230/1	2,500	560	3.2	0008-65	-	C411-73
ASE32C3E-CAA-959	90	115/1	3,260	710	6.4	0008-74	0037-14	0001-88
ASE32C3E-CAV-901	90	208-230/1	3,320	730	3.4	0036-03	0037-13	0001-53
AST40C1E-IAA-901	108	115/1	3,610	890	10.2	0036-04	-	C016-03
AST40C1E-IAV	108	208-230/1	3,610	890	5.4	0036-03	-	C411-79
AST45C1E-CAV-901	129	208-230/1	4,230	1,010	5.4	0008-70	0037-13	0001-68
AST45C1E-IAA	129	115/1	4,230	1,010	11.1	0036-04	-	C016-06
AST54C1E-CAV	129	208-230/1	5,770	1,150	6.5	0008-70	0037-13	0001-68
AST54C1E-CAA-901	152	115/1	5,770	1,150	12.0	0036-12	0037-15	0140-04

EXTENDED MEDIUM TEMPERATURE - 1/5 HP TO 1 1/4 HP

FOR USE WITH R404A

RATING CONDITIONS (°F): Evaporation: 45 / Condensing: 130 / Return Gas: 65 / Liquid: 130 / Ambient: 95

Order Number	CFH	Volts/Phase	Conditions			Capacitor		Relay Part (040-)
			BTU/hr	Watts	Amps	Start (014-)	Run (014-)	
AFE11C3E-IAA-901	62	115/1	2,340	580	7.1	0038-00	-	C411-82
AFE13C3E-IAA-901	90	115/1	3,220	793	8.3	0038-04	-	C411-83
AFE18C1E-IAA	108	115/1	-	-	-	0038-00	-	C411-91
RS43C1E-CAA	113	115/1	4,170	940	9.4	0008-57	0037-06	0001-62
RS43C1E-CAV	113	208-230/1	4,170	940	5.6	0008-64	0037-04	0001-54
RS43C1E-IAA	113	115/1	4,170	944	10.6	0008-57	-	0001-62
RS43C1E-IAV	113	208-230/1	4,170	940	5.6	0008-64	-	0088-03
AFT22C1E-CFV-901	129	208-230/1	4,720	1,110	5.3	0036-03	0037-13	0001-82
AFT22C1E-IAA-901	129	115/1	4,900	1,210	15.3	0038-08	-	C016-00
RS55C2E-CAA-908	135	115/1	5,220	1,150	11.0	0006-03	0037-09	0001-60
RS55C1E-CAV	161	208-230/1	5,410	1,140	5.1	0008-72	0037-06	0001-54
RS55C1E-PAV-909	161	208-230/1	5,410	1,140	5.1	0008-72	0037-06	0001-54
RS80C2E-CAV-959	201	208-230/1	5,410	1,690	7.8	0006-03	0037-14	0001-54
RS80C1E-TF5	201	200-230/3	5,440	1,640	5.1	-	-	-
AFT26C1E-CFV-959	152	208-230/1	6,230	1,380	5.3	0036-03	0037-13	0001-53
AFT26C1E-CFA-959	152	115/1	6,340	1,430	11.4	0038-00	0037-15	0001-79
RS64C1E-CAV	162	208-230/1	6,450	1,460	6.4	0008-61	0037-06	0001-54
RS64C1E-PAA	162	208-230/1	6,450	1,460	8.6	0008-66	-	0001-63
RS64C1E-CAA	162	115/1	6,460	1,470	12.9	0008-74	0037-16	0001-60
RS64C1E-IAA	162	115/1	6,460	1,470	12.9	0008-66	-	0001-60
RS64C1E-IAV	162	115/1	6,460	1,470	12.9	0008-74	0037-16	0001-60
RS70C1E-TFC-950	175	208-230/1	6,800	1,220	3.6	-	-	-
RS70C1E-PFV-959	175	208-230/1	6,980	1,250	5.5	0008-66	0037-09	0001-60
AFT29C1E-CFA-901	166	115/1	7,080	1,540	12.2	0036-12	0037-15	0001-79
AFT29C1E-CFV	166	208-230/1	7,080	1,540	6.0	0036-03	0037-13	0001-53
RS80C2E-CAA-908	201	115/1	8,170	1,740	16.2	0036-03	0037-09	0001-60
RS86C1E-PFJ	210	265/1	8,630	1,660	6.6	0036-00	0037-15	0001-55
RS86C1E-PFV	210	208-230/1	8,680	1,620	7.5	0008-74	0037-10	0001-60
RS97C1E-TFC-950	245	208-230/3	9,400	1,890	6.3	-	-	-
RS97C1E-CAV-201	245	208-230/1	9,590	1,940	9.7	0036-01	0037-15	0001-54

COPELAND

COPELAWELD® COMMERCIAL REFRIGERATION COMPRESSORS

MEDIUM TEMPERATURE - 1/5 HP TO 1 1/4 HP

FOR USE WITH R404A



DIMENSIONAL SUMMARY

Order Number	Cylinder	Dimensions (in)			Mounting (in)		Service Connections (in)		Ship Weight (lbs)
		Length	Width	Height	Length	Width	Discharge	Suction	
ASB12C3E-IAA	1	10.50	6.00	7.60	6.50	4.00	1/4	5/16	25
ASB14C3E-IAA	1	10.50	6.00	7.60	6.50	4.00	1/4	5/16	43
ASE19C3E-IAA	1	10.50	6.00	7.60	6.50	4.00	1/4	5/16	26
ASE24C3E-IAA	1	10.50	6.00	8.10	6.50	4.00	1/4	5/16	27
ASE24C3E-IAV	1	10.50	6.00	8.10	6.50	4.00	1/4	5/16	27
ASE32C3E-CAA	1	9.40	6.00	8.60	6.50	4.00	1/4	5/16	25
ASE32C3E-CAV	1	9.40	6.00	8.60	6.50	4.00	1/4	5/16	25
AST40C1E-IAA	1	9.60	6.30	7.60	8.00	4.80	1/4	3/8	32
AST40C1E-IAV	1	9.60	6.30	7.60	8.00	4.80	1/4	3/8	32
AST45C1E-CAV	-	-	-	-	-	-	-	-	-
AST45C1E-IAA	-	-	-	-	-	-	-	-	-
AST54C1E-CAV	1	9.60	6.30	7.60	8.00	4.80	1/4	3/8	36
AST54C1E-CAA	1	9.60	6.30	7.60	8.00	4.80	1/4	3/8	36
AFE11C3E-IAA	1	10.50	6.00	8.10	6.50	4.00	1/4	5/16	25
AFE13C3E-IAA	1	10.50	6.00	8.60	6.50	4.00	1/4	5/16	28
AFE18C1E-IAA	1	11.40	6.70	8.70	8.00	4.80	1/4	3/8	33
RS43C1E-CAA	1	10.75	6.63	11.25	8.00	4.81	3/8	1/2	51
RS43C1E-IAV	1	10.75	6.63	11.25	8.00	4.81	3/8	1/2	51
RS43C1E-IAA	1	10.75	6.63	11.25	8.00	4.81	3/8	1/2	51
RS43C1E-IAV	1	10.75	6.63	11.25	8.00	4.81	3/8	1/2	51
AFT22C1E-CFV	1	11.40	6.70	8.70	8.00	4.80	1/4	3/8	33
AFT22C1E-IAA	1	11.40	6.70	8.70	8.00	4.80	1/4	3/8	33
RS55C2E-CAA	1	10.75	6.63	10.75	8.00	4.81	3 3/4	1/2	54
RS55C1E-CAV	1	10.75	6.63	11.25	8.00	4.81	3/8	1/2	51
RS55C1E-PAV	1	10.75	6.63	11.25	8.00	4.81	3/8	1/2	51
RS80C1E-CAV	1	10.75	6.63	10.75	8.00	4.81	3/8	1/2	51
RS80C1E-TF5	1	10.72	6.63	10.75	8.00	4.81	3/8	1/2	51
AFT26C1E-CFV	1	11.40	6.70	8.70	8.00	4.80	1/4	3/8	36
AFT26C1E-CFA	1	11.40	6.70	8.70	8.00	4.80	1/4	3/8	36
RS64C1E-CAV	1	10.75	6.63	11.25	8.00	4.81	3/8	1/2	51
RS64C1E-PAA	1	10.75	6.63	11.25	8.00	4.81	3/8	1/2	51
RS64C1E-CAA	1	10.75	6.63	11.25	8.00	4.81	3/8	1/2	51
RS64C1E-IAA	1	10.75	6.63	11.25	8.00	4.81	3/8	1/2	51
RS64C1E-IAV	1	10.75	6.63	11.25	8.00	4.80	3/8	1/2	51
RS70C1E-PFV	1	9.38	6.63	10.75	8.00	4.81	1/3	1/2	51
RS70C1E-TFC	1	9.38	6.63	10.75	8.00	4.81	1/3	1/2	51
AFT29C1E-CFA	1	11.40	6.70	8.70	8.00	4.80	1/4	3/8	36
AFT29C1E-CFV	1	11.40	6.70	8.70	8.00	4.80	1/4	3/8	36
RS80C1E-CAA	1	10.75	6.63	10.75	8.00	4.81	3/8	1/2	31
RS86C1E-PFJ	1	9.38	6.63	11.38	8.00	4.81	1/3	1/2	52
RS86C1E-PFV	1	9.38	6.63	11.38	8.00	4.81	1/3	1/2	52
RS97C1E-CAV	1	10.75	6.63	11.25	8.00	4.81	3/8	1/2	52
RS97C1E-TFC	1	10.75	6.63	11.25	8.00	4.81	3/8	1/2	52

COPELAWELD® CF-LINE REFRIGERATION DUTY COMPRESSORS

LOW TEMPERATURE

FOR USE WITH R404A

RATINGS



Order Number	Volts/Phase	@ 110°F Cond		Capacitor		Relay Part (040-)
		-20°F Evap BTU/hr	Start (014-)	Run (014-)		
CF04K6E-PFV-970	208-230/1	3,150	TBD	TBD	TBD	
CF04K6E-TF5-970	208-230/3	3,150	TBD	TBD	TBD	
CF06K6E-PFV-979	208-230/1	5,460	014-008-50 (145-174/220V)	014-0037-10 (30/370V)	040-0001-55	
CF06K6E-TF5-970	208-230/3	5,460	014-008-50 (145-174/220V)	014-0037-10 (30/370V)	040-0001-55	
CF09K6E-PFV-979	208-230/1	8,000	014-008-04 (145-174/250V)	014-0037-12 (40/370V)	040-0001-55	
CF09K6E-TF5-970	208-230/3	8,000	014-008-04 (145-174/250V)	014-0037-12 (40/370V)	040-0001-55	
CF12K6E-PFV-979	208-230/1	10,700	TBD	TBD	TBD	
CF12K6E-TF5-970	208-230/3	10,700	TBD	TBD	TBD	

DIMENSIONAL SUMMARY

Order Number	Dimensions (in)			Mounting (in)			Tubing Orientation (in)		
	Length	Width	Height	Length	Width	Height	Discharge	Suction	Process
CF04K6E-PFV	10 9/32	9 3/32	TBD	7 1/2	7 1/2	TBD	3/8 EU	3/4 ST	3/8 EU
CF04K6E-TF5	10 9/32	9 3/32	TBD	7 1/2	7 1/2	TBD	3/8 EU	3/4 ST	3/8 EU
CF06K6E-PFV	10 9/32	9 3/32	13 5/16	7 1/2	7 1/2	76	3/8 EU	3/4 ST	3/8 EU
CF06K6E-TF5	10 9/32	9 3/32	13 5/16	7 1/2	7 1/2	76	3/8 EU	3/4 ST	3/8 EU
CF09K6E-PFV	10 9/32	9 3/32	13 13/16	7 1/2	7 1/2	78	1/2 EU	3/4 ST	3/8 EU
CF09K6E-TF5	10 9/32	9 3/32	13 13/16	7 1/2	7 1/2	78	1/2 EU	3/4 ST	3/8 EU
CF12K6E-PFV	10 9/32	9 3/32	TBD	7 1/2	7 1/2	TBD	TBD	TBD	TBD
CF12K6E-TF5	10 9/32	9 3/32	TBD	7 1/2	7 1/2	TBD	TBD	TBD	TBD

COPELAND / TECUMSEH CROSS REFERENCE

Order Number	Order Number	Volts/Phase	RLA	BTU/hr	Amps
CF06K6E-PFV		208-230/1	11.4	6690	8.0
	AHA2465ZXB	230/1	10.7	6580	10.7
	AWA2460ZXD	208-230/1		6300	8.2
CF06K6E-PFV		200-230/3	7.0	6360	5.3
	AHA2465ZXB	208-230/3	6.0	6450	6.0
	AWA2460ZXD	200-230/3		6000	5.6
CF06K6E-PFV		208-230/1	16.7	6800	11.2
	AHA2465ZXB	208-230/1	14.2	9400	14.2
	AWA2460ZXD	208-230/1		9500	11.4
CF06K6E-PFV		200-230/3	10.2	9620	7.6
	AHA2465ZXB	208-230/3	8.1	9100	8.1
	AWA2460ZXD	200-230/3		9100	7.4

COPELAND

COPELAWELD® J AND R-LINE REFRIGERATION DUTY COMPRESSORS

HIGH TEMPERATURE - 1/4 HP TO 1 HP

FOR USE WITH R134A



RATING CONDITIONS (°F): Evaporation: 45 / Condensing: 130 / Return Gas: 65 / Liquid: 130 / Ambient: 95

Order Number	Volts/Phase	Conditions			Start Capacitor (014-)		Run Capacitor (014-)		Relay Part
		BTU/hr	Watts	Amps	MFD	Volts	MFD	Volts	
RR81C2E-IAA-959	115/1	8,070	1,220	15.0	189-227 (2)	220	-	-	040-0001-41
RR81C2E-IAV-959	208-230/1	8,070	1,220	7.5	64-77 (2)	250	-	-	040-0001-38
RR10K2E-CAV-958	208-230/1	10,000	1,370	6.5	108-130 (2)	220	15	370	040-0001-19

MEDIUM TEMPERATURE - 1/4 HP TO 1 HP

FOR USE WITH R134A

RATING CONDITIONS (°F): Evaporation: 20 / Condensing: 120 / Return Gas: 40 / Liquid: 120 / Ambient: 95

Order Number	Volts/Phase	Conditions			Start Capacitor (014-)		Run Capacitor (014-)		Relay Part
		BTU/hr	Watts	Amps	MFD	Volts	MFD	Volts	
RS40C2E-IAA-959	115/1	3,990	836	10.6	189-227(2)	220	-	-	040-0001-25
RS40C2E-IAV-959	208-230/1	3,990	836	5.3	43-52	220	-	-	040-0088-03(1)
RS54C2E-IAA-959	115/1	5,400	1,070	13.8	270-324	165	-	-	040-0001-25
RS54C2E-IAV-959	208-230/1	5,400	1,070	6.9	64-77(2)	250	-	-	040-0001-38



EXTENDED MEDIUM TEMPERATURE - 1/4 HP TO 1 HP

FOR USE WITH R134A

RATING CONDITIONS (°F): Evaporation: -10 / Condensing: 120 / Return Gas: 40 / Liquid: 120 / Ambient: 95

Order Number	Volts/Phase	Conditions			Start Capacitor (014-)		Run Capacitor (014-)		Relay Part
		BTU/hr	Watts	Amps	MFD	Volts	MFD	Volts	
JF11C1E-IAA	115/1	1,223	395	6.1	233-280	125	-	-	040-0090-04
RF18C2E-IAA-959	115/1	1,885	596	10.3	270-324	165	-	-	040-0088-04
RF18C2E-IAV-959	230/1	1,885	596	5.2	88-106	220	-	-	040-0088-05



COPELAWELD® RS-LINE REFRIGERATION DUTY COMPRESSORS

EXTENDED MEDIUM TEMPERATURE

FOR USE WITH R404A

RATING CONDITIONS (°F): Evaporation: 20 / Condensing: 120 / Return Gas: 40 / Liquid: 120 / Ambient: 95



Order Number	Volts/Phase	Conditions			Start Capacitor (014-)		Run Capacitor (014-)		Relay Part
		BTU/hr	Watts	Amps	MFD	Volts	MFD	Volts	
RS43C1E-CAA	115/1	4,170	944	10.6	243-292	115	15	370	040-0001-25
RS43C2E-IAA-959	115/1	4,170	944	10.6	243-292	115	-	-	040-0001-25
RS43C1E-CAV	208-230/1	4,170	944	5.3	43-52	220	10	370	040-0001-19
RS43C2E-IAV-959	208-230/1	4,170	944	5.3	43-52	220	-	-	040-0088-03
RS55C1E-PAA-959	115/1	5,400	1,140	10.3	124-149	220	25	370	040-0001-38
RS55C2E-CAV-959	208-230/1	5,400	1,140	5.2	64-77	250	15	370	040-0001-19
RS55C1E-PAV-909	208-230/1	5,400	1,140	5.2	64-77	250	15	370	040-0001-19
RS64C2E-CAA-959	115/1	6,460	1,470	12.9	72-86	330	30	440	040-0001-38
RS64C2E-IAA-959	115/1	6,460	1,470	12.9	108-130	220	-	-	040-0001-38
RS64C2E-PAA-908	115/1	6,460	1,470	12.9	72-86	330	30	440	040-0001-38
RS64C2E-CAV-959	208-230/1	6,460	1,470	6.4	88-106	220	15	370	040-0001-19
RS64C2E-IAV-959	208-230/1	6,460	1,470	6.4	108-130	220	-	-	040-0001-18
RS70C1E-PFV-909	208-230/1	6,980	1,250	5.5	108-130	220	25	370	040-0001-38
RS70C1E-TFC-950	208-230/3	6,800	1,220	3.6	-	-	-	-	-
RS97C2E-CAA-959	115/1	9,590	1,940	19.4	145-174	220	35	370	040-0001-35
RS97C2E-CAV-201	208-230/1	9,590	1,940	9.7	88-106	250	25	440	040-0001-19
RS97C1E-TFC-950	208-230/3	9,400	1,890	6.3	-	-	-	-	-

COPELAWELD® CS-LINE REFRIGERATION DUTY COMPRESSORS

EXTENDED MEDIUM TEMPERATURE

FOR USE WITH R404A

RATING CONDITIONS (°F): Evaporation: 20 / Condensing: 120 / Return Gas: 40 / Liquid: 120 / Ambient: 95



Order Number	Volts/Phase	Conditions			Start Capacitor (014-)		Run Capacitor (014-)		Relay Part
		BTU/hr	Watts	Amps	MFD	Volts	MFD	Volts	
CS10K6E-PFV-970	208-230/1	10,100	1,660	7.6	145-174	220	30	370	040-0001-38
CS10K6E-PFJ	265/1	10,100	1,660	6.6	130-156	250	30	440	040-0001-19
CS10K6E-TF5-970	200-230/3	9,800	1,610	5.1	-	-	-	-	-
CS12K6E-PFV-970	208-230/1	12,000	1,930	8.8	145-174	220	30	370	040-0001-38
CS12K6E-PFJ	265/1	12,000	1,930	7.6	130-156	250	30	440	040-0001-19
CS12K6E-TF5-970	200-230/3	11,700	1,860	5.8	-	-	-	-	-
CS14K6E-PFV-970	208-230/1	14,100	2,280	10.3	145-174	250	35	370	040-0001-54
CS14K6E-PFJ	265/1	14,100	2,280	8.9	145-174	220	35	440	040-0001-38
CS14K6E-TF5-970	200-230/3	13,800	2,210	6.9	-	-	-	-	-
CS14K6E-TFD	380-460/3	13,800	2,210	3.4	-	-	-	-	-
CS18K6E-PFV-970	208-230/1	18,100	2,780	13.0	145-174	250	35	370	040-0001-54
CS18K6E-PFJ	265/1	18,100	2,780	11.3	145-174	250	40	440	040-0001-54
CS18K6E-TF5-970	200-230/3	17,700	2,690	8.7	-	-	-	-	-
CS18K6E-TFD	460/3	17,700	2,690	4.4	-	-	-	-	-
CS20K6E-PFV-970	208-230/1	20,000	3,120	14.9	189-227	330	40	370	040-0001-54
CS20K6E-TF5-970	208-230/3	19,600	3,030	10.0	-	-	-	-	-
CS20K6E-TFD-970	460/3	19,600	3,030	5.0	-	-	-	-	-
CS27K3E-PFV-970	208-230/1	26,500	4,420	20.3	189-227	330	40	440	040-0001-12
CS27K3E-TF5-970	200-230/3	26,000	4,290	13.1	-	-	-	-	-
CS27K3E-TFD	460/3	26,000	4,290	6.6	-	-	-	-	-
CS33K3E-PFV-970	208-230/1	31,600	5,290	25.3	189-227	330	50	440	040-0001-34
CS33K3E-TF5-970	200-230/3	31,200	5,190	15.2	-	-	-	-	-
CS33K3E-TFD-970	380-460/3	31,200	5,190	7.6	-	-	-	-	-

COPELAND

COPELAWELD® CR-LINE COMPRESSORS FOR A/C & REFRIGERATION

1 1/2 HP TO 5 HP

FOR USE WITH R22

RATING CONDITIONS (°F): Evaporation: 45 / Condensing: 130 / Return Gas: 65 / Liquid: 115 / Ambient: 95



Order Number	Volts/Phase	Conditions				Start Capacitor (014-)		Run Capacitor (014-)		Relay Part
		BTU/hr	RLA	LRA	MCC	MFD	Volts	MFD	Volts	
CRA1-0150-PFV-970	208/230-1	18,300	9.3	58	13	145-174	250	25	370	040-0001-20
CRB1-0175-PFV-970	208/230-1	19,200	-	-	-	145-174	250	25	370	040-0001-20
CRC2-0175-PFV-970	208/230-1	22,600	12.9	-	-	-	-	-	-	-
CRD1-0200-TF5-970	208/230-3	23,790	-	-	-	-	-	-	-	-
CRD1-0200-TFD-970	380/460-3	23,790	-	-	-	-	-	-	-	-
CRD1-0200-PFV-970	208/230-3	24,100	-	-	-	145-174	250	35	370	040-0001-20
CRE1-0225-TF5-970	200/230-3	27,050	-	-	-	-	-	-	-	-
CRE1-0225-TFD-970	380/460-3	27,050	-	-	-	-	-	-	-	-
CRE1-0225-PFV-970	208/230-1	27,800	-	-	-	145-174	250	35	370	040-0001-20
CRF1-0250-TF5-970	200/230-3	28,720	-	-	-	-	-	-	-	-
CRF1-0250-TFD-970	380/460-3	28,720	-	-	-	-	-	-	-	-
CRF1-0250-PFV-970	208/230-1	29,800	-	-	-	145-174	250	35	370	040-0001-20
CRG3-0250-PFJ-970	265-1	32,700	16.4	63	23	145-174	250	35	440	040-0001-20
CRG3-0250-PFV-970	208/230-1	32,700	17.3	75.8	24.2	161-193	220	40	370	040-0001-19
CRG3-0250-TF5-970	200/230-3	32,100	12	65	16.8	-	-	-	-	-
CRG3-0250-TFD-970	380/460-3	32,100	5.6	32	7.8	-	-	-	-	-
CRH3-0275-PFJ-970	265-1	34,300	-	-	-	145-174	330	35	440	040-0001-17
CRH3-0275-PFV-970	208/230-1	34,300	19.9	83.5	27.9	189-227	330	40	370	040-0001-20
CRH3-0275-TF5-970	200/230-3	34,000	12.5	66	17.5	-	-	-	-	-
CRH3-0275-TFD-970	380/460-3	34,000	5.8	35	8.1	-	-	-	-	-
CRH3-0275-TFE-970	575-3	34,000	5	29	7	-	-	-	-	-
CRI3-0290-PFV-970	208/230-1	36,500	-	-	-	189-227	220	40	440	040-0001-19
CRI3-0290-TF5-970	200/230-3	36,400	-	-	-	-	-	-	-	-
CRI3-0290-TFD-970	380/460-3	36,400	-	-	-	-	-	-	-	-
CRJ3-0300-PFJ-970	265-1	37,900	19.1	87	26.7	189-227	220	35	440	040-0001-19
CRJ3-0300-PFV-970	208/230-1	37,900	22.5	93	31.5	189-227	220	35	440	040-0001-19
CRJ3-0300-TF5-970	200/230-3	37,700	14.3	74	20	-	-	-	-	-
CRJ3-0300-TFD-970	380/460-3	37,700	6.7	41	9.4	-	-	-	-	-
CRJ3-0300-TFE-970	575-3	37,700	5.6	30	7.9	-	-	-	-	-
CRK3-0325-PFJ-970	265-1	42,100	19.6	96	27.5	189-227	220	40	440	040-0001-12
CRK3-0325-PFV-970	208/230-1	42,100	23.9	95.4	33.5	189-227	330	40	440	040-0001-12
CRK3-0325-TF5-970	200/230-3	41,600	15.3	82	21.4	-	-	-	-	-
CRK3-0325-TFD-970	380/460-3	41,600	7.7	41	10.7	-	-	-	-	-
CRK3-0325-TFE-970	575-3	41,600	5.4	30	7.6	-	-	-	-	-
CRL3-0350-PFJ-970	265-1	47,200	21.9	95.6	30.7	189-227	330	40	440	040-0001-12
CRL3-0350-PFV-970	208/230-1	47,200	26.5	114	37.1	189-227	330	40	440	040-0001-12
CRL3-0350-TF5-970	200/230-3	47,200	16.8	84	23.5	-	-	-	-	-
CRL3-0350-TFD-970	380/460-3	47,200	8.2	42	11.5	-	-	-	-	-
CRL3-0350-TFE-970	575-3	47,200	6.4	33	9	-	-	-	-	-
CRM3-0400-PFV970	208/230-1	53,300	30.7	125	43	189-227	330	50	440	040-0001-34
CRM3-0400-TF5-970	200/230-3	53,500	17.9	90	25	-	-	-	-	-
CRM3-0400-TFD-970	380/460-3	53,500	8.6	45	12	-	-	-	-	-
CRT5-0450-PFV-970	208/230-1	55,300	-	-	-	189-227	330	45	440	040-0001-68
CRT5-0450-TF5-970	200/230-3	55,500	-	-	-	-	-	-	-	-
CRT5-0450-TFD-970	380/460-3	55,500	-	-	-	-	-	-	-	-
CRT5-0450-TFE-970	575-3	55,500	-	-	-	-	-	-	-	-
CRP5-0450-PFV-970	208/230-1	58,300	30.7	135	43	189-227	330	45	440	040-0001-34
CRP5-0450-TF5-970	200/230-3	58,600	19.6	105	27.5	-	-	-	-	-
CRP5-0450-TFD-970	380/460-3	58,600	10.4	55	14.6	-	-	-	-	-
CRP5-0450-TFE-970	575-3	58,600	7	45	9.8	-	-	-	-	-
CRN5-0500-PFV-970	208/230-1	62,700	34.3	142	48	260-302	250	55	440	040-0001-34
CRN5-0500-TF5-970	200/230-3	63,300	21.4	130	30	-	-	-	-	-
CRN5-0500-TFD-970	380/460-3	63,300	9.6	65	13.5	-	-	-	-	-
CRN5-0500-TFE-970	575-3	63,300	7.9	52	11	-	-	-	-	-

CRKQ SERIES COMPRESSORS FOR AIR CONDITIONING

1 1/2 HP TO 4 HP

FOR USE WITH R22

RATINGS @ 45°F SUCTION AND 130°F CONDENSING



Capacitor

Order Number	BTU/hr	Volts/Phase	EER	Amps	RLA	LRA	Start (014-)	Run (014-)	Relay (040-)
CR16KQ-PFV-980WB	15,700	208/230-1	10	6.9	7.9	38	0006-11	0037-15	0001-55
CR18KQ-PFV-980WB	18,300	208/230-1	9.8	8.8	9	41	0006-11	0037-15	0001-55
CR18KQ-TF5-980WB	18,300	200/230-3	10.1	5.5	6	44.2	-	-	-
CR20KQ-PFV-980WB	19,800	208/230-1	10	8.9	10.1	54	0036-04	0037-10	0001-55
CR22KQ-PFV-980WB	21,800	208/230-1	9.8	10.8	11.1	51.5	0006-11	0037-17	0001-87
CR24KQ-PFV-980WB	23,900	208/230-1	9.8	14.7	13.5	70.5	0006-11	0037-17	0001-55
CR24KQ-TF5-980WB	23,700	200/230-3	10.2	7	7.5	40	-	-	-
CR24KQ-TFD-980WB	23,700	460-3	tbd	tbd	3.7	25	-	-	-
CR28KQ-PFV-980WB	27,600	208/230-1	9.7	13.1	15	70.5	0006-11	0037-17	0001-55
CR28KQ-TF5-980WB	27,200	200/230-3	10.3	8.0	8.8	60.5	0006-11	0037-17	0001-55
CR28KQ-TFD-980WB	27,500	460-3	10.5	4	4.4	30	-	-	-
CR30KQ-PFV-980WB	30,000	208/230-1	9.7	14.1	15	78	0006-11	0037-17	0001-55
CR30KQ-TFD-980WB	29,300	460-3	10.3	4.3	4.7	32	-	-	-
CR32KQ-PFV-980WB	30,700	208/230-1	9.5	15.3	17	83	0006-07	0037-17	0001-55
CR32KQ-TF5-980WB	31,300	200/230-3	10.1	9.1	10.4	63	-	-	-
CR32KQ-TFD-980WB	32,000	460-3	10.3	4.5	5	32	-	-	-
CR33KQ-PFV-980WB	32,700	208/230-1	10	14.8	16	75	0006-03	0037-18	0001-54
CR33KQ-TF5-980WB	32,000	200/230-3	10	9.3	10.6	69	-	-	-
CR33KQ-TFD-980WB	32,000	460-3	10.3	4.5	4.7	31.6	-	-	-
CR34KQ-PFV-980WB	34,000	208/230-1	10.1	15.3	16.7	84	0006-03	0037-18	0001-54
CR34KQ-TF5-980WB	33,900	200/230-3	10.1	9.7	11.8	67	-	-	-
CR34KQ-TFD-980WB	33,500	460-3	10	4.8	5.4	29.2	-	-	-
CR36KQ-PFV-980WB	36,300	208/230-1	10.1	16.8	17.6	93	0006-03	0037-18	0001-54
CR36KQ-TF5-980WB	35,200	200/230-3	10.2	10	12.4	68	-	-	-
CR36KQ-TFD-980WB	35,700	460-3	10.2	4.9	5.5	34.5	-	-	-
CR37KQ-PFV-980WB	36,800	208/230-1	10.1	17.4	18.5	100	-	-	-
CR37KQ-TF5-980WB	36,400	200/230-3	10.4	10.2	11.1	85	-	-	-
CR37KQ-TFD-980WB	36,400	460-3	10.4	5.1	5.6	39	-	-	-
CR41KQ-PFV-980WB	41,700	208/230-1	10.3	18.7	19.4	109.4	0006-03	0037-20	0001-68
CR41KQ-TF5-980WB	40,700	200/230-3	10.2	11.5	13.1	42	-	-	-
CR41KQ-TFD-980WB	41,200	460-3	10.3	5.8	5.9	42	-	-	-
CR47KQ-PFV-980WB	47,500	208/230-1	10.4	22	24.6	132	0006-03	0037-19	0001-59
CR47KQ-TF5-980WB	47,200	200/230-3	10.4	13.7	16	97	-	-	-
CR47KQ-TFD-980WB	47,200	460-3	10.4	6.9	8.2	50	-	-	-
CR53KQ-PFV-980WB	53,300	208/230-1	10.1	24.1	29	140	0006-03	0037-22	0001-59
CR53KQ-TF5-980WB	53,200	200/230-3	10.1	16	18	107	-	-	-
CR53KQ-TFD-980WB	53,200	460-3	10.2	8	9.1	55	-	-	-

COPELAND

ZR SCROLL® COMPRESSORS FOR AIR CONDITIONING

1 1/2 HP TO 12 HP

FOR USE WITH R22



RATING CONDITIONS (°F): Evaporation: 45 / Condensing: 130 / Return Gas: 65 / Liquid: 115 / Ambient: 95

Order Number	Volts/Phase	Conditions			Amperage Ratings			Run Capacitor		Motor Protector # (071-)
		BTU/hr	RLA	LRA	MCC	MFD	Volts			
ZR18K4-PFV-930	208/230-1	18,100	9.3	47	13	30	370	Internal		
ZR18K1-PFQ-930	265-1	18,000	-	-	-	25	440			
ZR22K4-PFV-930	208/230-1	22,100	-	-	-	40	370			
ZR22K3-PFJ-930	265-1	22,100	-	-	-	40	440			
ZR23K1-PFV-930	208/230-1	22,900	12.9	62.5	18	30	370	Internal		
ZR23K1-PFQ-930	265-1	22,900	12.9	55.1	18	35	440	Internal		
ZR24K4-PFV-930	208/230-1	24,500	-	-	-	40	370			
ZR26K1-PFV-930	208/230-1	25,800	-	-	-	35	370			
ZR26K3-PFV-930	208/230-1	26,200	-	-	-	40	370			
ZR26K3-PFJ-930	265-1	26,200	-	-	-	40	440			
ZR28K1-PFV-930	208/230-1	28,200	15	76	21	35	370	Internal		
ZR28K1-PFQ-930	265-1	28,200	13.6	70.3	19	30	440	Internal		
ZR28K3-PFV-930	208/230-1	28,500	-	-	-	45	370			
ZR28K3-PFJ-930	265-1	28,500	-	-	-	45	440			
ZR28K3-TF5-930	200/230-3	28,500	-	-	-	-	-			
ZR28K3-TFD-930	460-3	28,500	-	-	-	-	-			
ZR30K3-PFV-930	208/230-1	30,500	-	-	-	45	370			
ZR30K3-TF5-930	200/230-3	30,500	-	-	-	-	-			
ZR30K3-TFD-930	460-3	30,500	-	-	-	-	-			
ZR32K3-PFV-930	208/230-1	32,000	-	-	-	45	370			
ZR32K3-TF5-930	200/230-3	32,000	-	-	-	-	-			
ZR32K3-TFD-930	460-3	32,000	-	-	-	-	-			
ZR32K3-TFE-930	575-3	32,000	-	-	-	-	-			
ZR34K1-PFV-930	208/230-1	33,900	20	90.5	28	35	440	Internal		
ZR34K1-PFQ-930	265-1	33,900	16.4	88	23	35	440	Internal		
ZR34K3-PFV-930	208/230-1	34,000	-	-	-	50	370			
ZR34K3-PFJ-930	265-1	34,000	-	-	-	50	440			
ZR34K3-TF5-930	200/230-3	34,000	-	-	-	-	-			
ZR34K3-TFD-930	460-3	34,000	-	-	-	-	-			
ZR34K3-TF3-930	575-3	34,000	-	-	-	-	-			
ZR36K3-PFV-930	208/230-1	36,500	-	-	-	50	370			
ZR36K3-PFJ-930	265-1	36,500	-	-	-	50	440			
ZR36K3-TF5-930	200/230-3	36,500	-	-	-	-	-			
ZR36KE-TFD-930	460-3	36,500	-	-	-	-	-			
ZR36K3-TFE-930	575-3	36,500	-	-	-	-	-			
ZR40K1-PFV-930	208/230-1	39,600	22	107	31	35	440	Internal		
ZR40K3-PFV-930	208/230-1	40,000	-	-	-	55	370			
ZR40K3-PFJ-930	265-1	40,000	-	-	-	55	440			
ZR40K3-TF5-930	200/230-3	40,000	-	-	-	-	-			
ZR40K3-TFD-930	460-3	40,000	-	-	-	-	-			
ZR40K3-TFE-930	575-3	40,000	-	-	-	-	-			
ZR42K3-PFV-930	208/230-1	42,000	-	-	-	60	370			
ZR42K3-PFJ-930	265-1	42,000	-	-	-	60	440			
ZR42K3-TF5-930	200/230-3	42,000	-	-	-	-	370			
ZR42K3-TFD-930	460-3	42,000	-	-	-	-	-			
ZR42K-TFE-930	575-3	42,000	-	-	-	-	-			
ZR46K3-PFV-930	208/230-1	46,000	26.4	129	37	60	370	Internal		
ZR46K3-TF5-930	200/230-3	46,100	15	99	21	-	-	Internal		
ZR46K3-TFD-930	460-3	46,100	8.2	49.5	11.5	-	-	Internal		
ZR46K3-TFE-930	575-3	46,100	6.4	40	9	-	-	Internal		
ZR49K3-PFV-950	208/230-1	49,100	26.4	129	37	60	370	Internal		
ZR49K3-TF5-950	200/230-3	49,200	15	99	21	-	-	Internal		
ZR49K3-TFD-950	460-3	49,200	8.2	49.5	11.5	-	-	Internal		
ZR49K3-TFE-930	575-3	49,200	6.4	40	9	-	-	Internal		

Table continued next page

ZR SCROLL® COMPRESSORS FOR AIR CONDITIONING

1 1/2 HP TO 12 HP

FOR USE WITH R22



RATING CONDITIONS (°F): Evaporation: 45 / Condensing: 130 / Return Gas: 65 / Liquid: 115 / Ambient: 95

Order Number	Volts/Phase	Conditions			Amperage Ratings			Run Capacitor	Motor Protector # (071-)
		BTU/hr	RLA	LRA	MCC	MFD	Volts		
ZR54K3-PFV-950	208/230-1	54,200	-	-	-	80	370		
ZR54K3-TF5-950	200/230-3	53,300	-	-	-	-	-		
ZR54K3-TFD-950	460-3	53,300	-	-	-	-	-		
ZR54K3-TFE-950	575-3	53,300	-	-	-	-	-		
ZR57K3-TF5-950	200/230-3	57,200	19.3	123	27	-	-	Internal	
ZR57K3-TFD-950	460-3	57,200	10	62	14	-	-	Internal	
ZR57K3-TFE-950	575-3	57,200	7.9	50	11	-	-	Internal	
ZR57K3-PFV-950	208/230-1	57,500	32.1	169	45	80	370	Internal	
ZR61K3-TF5-950	200/230-3	61,000	19.3	123	27	-	-	Internal	
ZR61K3-TFD-950	460-3	61,000	10	62	14	-	-	Internal	
ZR61K3-TFE-950	575-3	61,000	7.9	50	11	-	-	Internal	
ZR61K3-PFV-950	208/230-1	61,200	32.1	169	45	80	370	Internal	
ZR68KC-TF5-950	200/230-3	68,500	-	-	-	-	-		
ZR68KC-TFD-950	460-3	68,500	-	-	-	-	-		
ZR68KC-TFE-950	575-3	68,500	-	-	-	-	-		
ZR72KC-TF5-950	208/230-3	73,500	20.7	156	29	-	-	Internal	
ZR72KC-TFD-950	460-3	73,500	10	70	14	-	-	Internal	
ZR72KC-TFE-950	575-3	73,500	8.2	54	11.5	-	-	Internal	
ZR84KC-TF5-950	189,400	84,000	28.6	196	40	-	-	Internal	
ZR84KC-TFD-950	460-3	84,000	14.2	100	20	-	-	Internal	
ZR84KC-TFE-950	575-3	84,000	9.7	90	13.5	-	-	Internal	
ZR94KC-TF5-950	200/230-3	94,000	32.1	195	45	-	-	Internal	
ZR94KC-TFD-950	460-3	94,000	16.4	95	23	-	-	Internal	
ZR94KC-TFE-950	575-3	94,000	12	80	16.8	-	-	Internal	
ZR11M3-TWC-961	208/230-3	108,300	34.3	232	46.6	-	-	SS Module	
ZR11M3-TWD-961	460-3	108,300	17.5	125	23.8	-	-	SS Module	
ZR11M3-TWE-961	575-3	108,300	13.2	100	18	-	-	SS Module	
ZR108KC-TF5-950	200/230-3	108,700	33.6	225	47	-	-	Internal	
ZR108KC-TFD-950	460-3	108,700	17.3	114	24.2	-	-	Internal	
ZR108KC-TFE-950	575-3	108,700	13.5	80	18.9	-	-	Internal	
ZR12M3-TWC-961	208/230-3	125,500	38.6	278	52.4	-	-	SS Module	
ZR12M3-TWD-961	460-3	125,500	18.9	127	25.7	-	-	SS Module	
ZR12M3-TWE-961	575-3	125,500	15.7	100	21.3	-	-	SS Module	
ZR125KC-TF5-950	200/230-3	125,500	42	239	58.9	-	-	Internal	
ZR125KC-TFD-950	460-3	125,500	19.2	125	26.9	-	-	Internal	
ZR125KC-TFE-950	575-3	125,500	13.8	80	19.3	-	-	Internal	
ZR144KC-TF5-950	200/230-3	144,000	-	-	-	-	-	Internal	
ZR144KC-TFD-950	460-3	144,000	-	-	-	-	-	Internal	
ZR144KC-TFE-950	575-3	144,000	-	-	-	-	-	Internal	
ZR16M3-TWC-961	208/230-3	154,300	47.1	350	64	-	-	SS Module	
ZR16M3-TWD-961	460-3	154,300	25	158	34	-	-	SS Module	
ZR16M3-TWE-961	575-3	154,300	19.9	125	27	-	-	SS Module	
ZR19M3-TWC-961	208/230-3	189,400	60.3	425	75	-	-	SS Module	
ZR19M3-TWD-961	460-3	189,400	27.2	187	37	-	-	SS Module	
ZR19M3-TWE-961	575-3	189,400	23.5	148	33	-	-	SS Module	

UNIVERSAL MOUNTING ADAPTER KIT

MOUNTING ADAPTOR PLATES TO CONVERT TO ZR COMPRESSORS USE PART NUMBER 922-0001-00

From Copeland	To Copeland	From Tecumseh	To Copeland
BRD2-0750 (QR85K)	ZR84KC		
BRE2-0750 (QR90K)	ZR94KC	SFA5594E	ZR94KC
BRG2-0900 (QR11M)	ZR108KC	SFA5611E	ZR108KC
BRH2-1000 (QR12M)	ZR125KC	SFA5612E	ZR125KC
BRK2-1200 (QR15M)	ZR144KC	SFA5615E	ZR144KC

COPELAND

ZP-LINE SCROLL COMPRESSORS FOR AIR CONDITIONING

FOR USE WITH R410A



RATING CONDITIONS (°F): Evaporation: 45 / Condensing: 130 / Return Gas: 65 / Liquid: 115 / Ambient: 95

Order Number	BTU/hr	Volts/Phase	Connections (in)		Ship Weight (lbs)
			Suction	Liquid	
ZP16K3E-PFV	16,000	208/230-1-60	3/4	1/2	66
ZP20K3E-PFV	20,000	208/230-1-60	3/4	1/2	66
ZP23K3E-PFV	23,000	208-230-1-60	3/4	1/2	66
ZP23K3E-TFD	23,000	460-3-60	3/4	1/2	66
ZP26K3E-PFV	26,000	208/230-1-60	3/4	1/2	66
ZP26K3E-TF5	26,000	208/230-3-60	3/4	1/2	66
ZP26K3E-TFD	26,000	460-3-60	3/4	1/2	66
ZP32K3E-PFV	32,000	208/230-1-60	3/4	1/2	72
ZP32K3E-TF5	32,000	208/230-3-60	3/4	1/2	72
ZP32K3E-TFD	32,000	460-3-60	3/4	1/2	72
ZP36K3E-PFV	36,000	208/230-1-60	3/4	1/2	72
ZP36K3E-TF5	36,000	208/230-3-60	3/4	1/2	72
ZP36K3E-TFD	36,000	460-3-60	3/4	1/2	72
ZP38K3E-PFV	38,000	208/230-1-60	3/4	1/2	72
ZP38K3E-TF5	38,000	208/230-3-60	3/4	1/2	72
ZP41K3E-PFV	41,000	208/230-1-60	3/4	1/2	80
ZP41K3E-TF5	41,000	200/230-3-60	3/4	1/2	80
ZP41K3E-TFD	41,000	460-3-60	3/4	1/2	80
ZP44K3E-PFV	44,000	208/230-1-60	3/4	1/2	80
ZP54K3E-PFV-950	54,000	208/230-1-60	7/8	1/2	90
ZP54K3E-TF5	54,000	208/230-3-60	7/8	1/2	90
ZP54K3E-TFE	54,000	575-3-60	7/8	1/2	90
ZP67K3E-TF5	67,000	200/230-3-60	7/8	1/2	95
ZP67K3E-TFD	67,000	460-3-60	7/8	1/2	95
ZP67K3E-TFE	67,000	575-3-60	7/8	1/2	95

ZR-LINE SCROLL COMPRESSORS FOR AIR CONDITIONING

MEDIUM TEMPERATURE

LIQUID INJECTION - FOR USE WITH R22

RATING CONDITIONS (°F): Evaporation: 45 / Condensing 130 / Return Gas: 65 / Liquid: 115 / Ambient: 95



Order Number	Volts/Phase	Conditions			Amperage Ratings		
		BTU/hr	Watts	Amps	RLA	LRA	MCC
ZR72KC-TF5-950	200/230-3	72,300	6,280	18.9	20.7	156.0	29.0
ZR72KC-TFD-950	460-3	72,300	6,280	9.4	10.0	70.0	14.0
ZR72KC-TFE-950	575-3	72,300	6,280	7.6	8.2	54.0	11.5
ZR84KC-TF5-950	230-3	84,000	7,300	22.8	28.6	196.0	40.0
ZR84KC-TFD-950	460-3	84,000	7,300	11.4	14.2	100.0	20.0
ZR84KC-TFE-950	575-3	84,000	7,300	9.1	9.7	90.0	13.5
ZR94KC-TF5-950	230-3	94,000	8,170	25.5	32.1	195.0	45.0
ZR94KC-TFD-950	460-3	94,000	8,170	12.8	16.4	95.0	23.0
ZR94KC-TFE-950	575-3	94,000	8,170	10.2	12.0	80.0	16.8
ZR108KC-TF5-950	230-3	108,000	9,390	29.5	33.6	225.0	47.0
ZR108KC-TFD-950	460-3	108,000	9,390	14.8	17.3	114.0	24.2
ZR108KC-TFE-950	575-3	108,000	9,390	11.8	13.5	80.0	18.9
ZR125KC-TF5-950	230-3	125,000	10,870	32.7	42.0	239.0	58.9
ZR125KC-TFD-950	460-3	125,000	10,870	16.4	19.2	125.0	26.9
ZR125KC-TFE-950	575-3	125,000	10,870	13.1	13.8	80.0	19.3
ZR144KC-TF5-950	230-3	144,000	-	-	-	-	-
ZR144KC-TFD-950	460-3	144,000	-	-	-	-	-
ZR144KC-TFE-950	575-3	144,000	-	-	-	-	-

ZF-LINE REFRIGERATION SCROLL COMPRESSORS

MEDIUM / LOW TEMPERATURE

FOR USE WITH R404A / R507

RATING CONDITIONS (°F): Evaporation: 20 / Condensing 105 / Return Gas: 65 / Liquid: 105 / Ambient: 95

Order Number	BTU/hr		Volts/Phase	Amperage Ratings		
	-25°F	20°F		RLA	LRA	MCC
ZF06K4E-PFV-931	6.500	14.700	208-230/1	13.6	61	19
ZF06K4E-TF5-931	6.560	14.700	200-230/3	9.3	55	13
ZF08K4E-PFV-931	8.300	18.900	208-230/1	16.4	73	23
ZF08K4E-TF5-931	8.310	18.900	200-230/3	9.7	63	13.5
ZF09K4E-PFV-931	9.300	20.910	208-230/1	16.4	88	20.5
ZF09K4E-TF5-931	9.300	20.900	200-230/3	11.1	77	13.5
ZF09K4E-TFD-931	9.300	20.900	460/3	5.7	39	7
ZF09K4E-TFE-931	9.300	20.900	575/3	4.3	31	5.5
ZF11K4E-PFV-931	11.500	26.200	208-230/1	20.7	109	25.5
ZF11K4E-TF5-931	11.500	26.200	200-230/3	13.6	88	17
ZF11K4E-TFD-931	11.500	26.200	460/3	7.1	44	9
ZF11K4E-TFE-931	11.500	26.200	575/3	5	34	6.5
ZF13K4E-PFV-961	13.200	30.800	208-230/1	26.8	129	35
ZF13K4E-TF5-961	13.200	30.500	200-230/3	15	99	18.5
ZF13K4E-TFD-961	13.200	30.500	460/3	8.2	49.5	10
ZF13K4E-TFE-961	13.200	30.500	575/3	6.8	40	10
ZF15K4E-PFV-961	16.400	37.400	208-230/1	31.8	169	38.5
ZF15K4E-TF5-961	16.400	37.400	200-230/3	21.4	123	26.5
ZF15K4E-TFD-961	16.400	37.400	460/3	9.6	62	12.5
ZF15K4E-TFE-961	16.400	37.400	575/3	7.9	50	9
ZF18K4E-TF5-961	19.500	45.000	200-230/3	23.9	156	30.5
ZF18K4E-TFD-961	19.500	45.000	460/3	9.3	70	12.5
ZF18K4E-TFE-961	19.500	45.000	575/3	7.9	54	11
ZF24K4E-TWC-951	23.400	53.600	208-230/3	30.9	189	42
ZF33K4E-TWC-951	33.500	76.600	208-230/3	43.6	278	61
ZF33K4E-TWE-951	33.500	76.600	575/3	16.1	100	22.5
ZF48K4E-TWC-951	47,100	107,200	208-230/3	60	425	77
ZF48K4E-TWE-951	47,100	107,200	575/3	22.5	148	27.5

ZF-LINE REFRIGERATION SCROLL COMPRESSORS

MEDIUM TEMPERATURE

LIQUID INJECTION - FOR USE WITH R404A

RATING CONDITIONS (°F): Evaporation: 20 / Condensing 120 / Return Gas: 65 / Liquid: 120 / Ambient: 95



Order Number	Conditions			Amperage Ratings			
	Volts/Phase	BTU/hr	Watts	Amps	RLA	LRA	MCC
ZF09K4E-TF5-931	200-230/3	21,180	2,960	9.0	11.1	77.0	15.5
ZF09K4E-TFD-931	460/3	21,180	2,960	4.5	5.7	39.0	8.0
ZF09K4E-TFE-931	575/3	21,180	2,960	3.6	4.3	31.0	6.0
ZF11K4E-TF5-931	200-230/3	26,220	3,700	11.0	13.6	88.0	19.0
ZF11K4E-TFD-931	460/3	26,220	3,700	5.5	7.1	44.0	10.0
ZF11K4E-TFE-931	575/3	26,220	3,700	4.4	5.0	34.0	7.0
ZF13K4E-TF5-961	200-230/3	30,510	4,270	12.3	15.0	99.0	21.0
ZF13K4E-TFD-961	460/3	30,510	4,270	6.2	8.2	49.5	11.5
ZF13K4E-TFE-961	575/3	30,510	4,270	4.9	6.8	40.0	9.5
ZF15K4E-TF5-961	200-230/3	37,400	5,170	15.1	21.4	123.0	30.0
ZF15K4E-TFD-961	460/3	37,400	5,170	7.6	9.6	62.0	13.5
ZF15K4E-TFE-961	575/3	37,400	5,170	6.0	7.8	50.0	11.0
ZF18K4E-TF5-961	200-230/3	44,960	6,280	19.2	20.7	156.0	33.5
ZF18K4E-TFD-961	460/3	44,960	6,280	9.6	10.0	70.0	13.0
ZF33K4E-TWC-951	200-230/3	76,910	11,480	34.5	43.6	255.0	61.0

COPELAND

ZS-LINE REFRIGERATION SCROLL COMPRESSORS

EXTENDED MEDIUM TEMPERATURE

FOR USE WITH R404A

RATING CONDITIONS (°F): Evaporation: 20 / Condensing 120 / Return Gas: 65 / Liquid: 120 / Ambient: 95

Order Number	Volts/Phase	Conditions			Amperage Ratings		
		BTU/hr	Watts	Amps	RLA	LRA	MCC
ZS21K4E-TF5	200-230/3	20,930	2,890	8.9	11.1	77.0	15.0
ZS21K4E-TFD	460/3	20,930	2,890	4.5	5.7	39.0	8.0
ZS21K4E-TFE	575/3	20,930	2,890	3.6	4.3	31.0	6.0
ZS26K4E-TF5	200-230/3	26,000	3,550	10.6	13.6	88.0	19.0
ZS26K4E-TFD	460/3	26,000	3,550	5.3	7.1	44.0	10.0
ZS26K4E-TFE	575/3	26,000	3,550	47.2	5.0	34.0	7.0
ZS30K4E-TF5	200-230/3	30,000	4,070	11.8	15.0	99.0	21.0
ZS30K4E-TFD	460/3	30,000	4,070	5.9	8.2	49.5	11.5
ZS30K4E-TFE	575/3	30,000	4,070	4.7	6.8	40.0	9.5
ZS38K4E-TF5	200-230/3	36,940	5,170	15.1	21.4	123.0	30.0
ZS38K4E-TFD	460/3	36,940	5,170	7.6	9.6	62.0	13.5
ZS38K4E-TFE	575/3	36,940	5,170	6.0	7.8	50.0	11.0
ZS45K4E-TF5	200-230/3	44,550	6,110	18.7	20.7	156.0	33.5
ZS45K4E-TFD	460/3	44,550	6,110	9.4	10.0	70.0	13.0
ZS75K4E-TWC	208-230/3	76,650	11,280	34.0	43.6	255.0	61.0

ZF-LINE REFRIGERATION SCROLL COMPRESSORS

LOW TEMPERATURE

LIQUID INJECTION - FOR USE WITH R404A

RATING CONDITIONS (°F): Evaporation: -25 / Condensing 105 / Return Gas: 65 / Liquid: 105 / Ambient: 95

Order Number	Volts/Phase	Conditions			Amperage Ratings		
		BTU/hr	Watts	Amps	RLA	LRA	MCC
ZF09K4E-TF5-931	200-230/3	9,300	2,070	7.1	9.6	77.0	13.5
ZF09K4E-TFD-931	460/3	9,300	2,070	3.6	5.0	39.0	7.0
ZF09K4E-TFE-931	575/3	9,300	2,070	2.8	3.9	31.0	5.5
ZF11K4E-TF5-931	200-230/3	11,500	2,580	8.5	12.1	88.0	17.0
ZF11K4E-TFD-931	460/3	11,500	2,580	4.3	6.4	44.0	9.0
ZF11K4E-TFE	575/3	11,500	2,580	3.4	4.6	34.0	6.5
ZF13K4E-TF5-961	200-230/3	13,200	3,020	9.3	13.2	99.0	18.5
ZF13K4E-TFD-961	460/3	13,200	3,020	4.7	7.1	49.5	10.0
ZF13K4E-TFE-961	575/3	13,200	3,020	3.7	5.7	40.0	8.0
ZF15K4E-TF5-961	200-230/3	16,400	3,560	11.3	18.9	123.0	26.5
ZF15K4E-TFD-961	460/3	16,400	3,560	5.7	8.9	62.0	12.5
ZF15K4E-TFE-961	575/3	16,400	3,560	4.5	6.4	50.0	9.0
ZF18K4E-TF5-961	200-230/3	19,500	4,320	14.9	21.8	156.0	30.5
ZF18K4E-TFD-961	460/3	19,500	4,320	7.5	8.9	70.0	12.5
ZF33K4E-TWC-51	208-230/3	33,100	7,630	25.7	43.6	255.0	61.0

COPELAMETIC® AIR-COOLED REFRIGERATION AND AIR CONDITIONING COMPRESSORS

H, K, E, 3A, L SERIES - 1/4 HP TO 3 HP

FOR USE WITH R12 / R22 / R502



Service Valves (in)

Order Number	HP	Bore	Stroke	CFH @ 60 Hz	L x W x H (in)	Mount L x W (in)	Suction	Discharge	Ship Weight (lbs)
HAF()-0025	1/4	1 1/32	5/8	63.4	12 3/8 x 7 7/8 x 9 3/4	8 3/16 x 6 3/8	3/8 FL	1/4 FL	73
HAJ()-0025	1/4	1 3/16	5/8	84	12 3/8 x 7 7/8 x 9 3/4	8 3/16 x 6 3/8	3/8 FL	1/4 FL	72
HAK()-0025	1/4	1 5/8	5/8	102.6	12 3/8 x 8 x 10 11/16	8 3/16 x 6 3/8	1/4 FL	3/8 FL	-
HAF()-0033	1/3	1 1/32	5/8	63.4	12 3/8 x 7 7/8 x 9 3/4	8 3/16 x 6 3/8	1/2 FL	3/8 FL	73
HAJ()-0033	1/3	1 3/16	5/8	84	12 3/8 x 7 7/8 x 9 3/4	8 3/16 x 6 3/8	1/2 FL	3/8 FL	73
HAK()-0033	1/3	1 5/16	5/8	102.6	12 3/8 x 7 7/8 x 9 3/4	8 3/16 x 6 3/8	1/2 FL	3/8 FL	73
HAT()-0033	1/3	1 5/16	3/4	123.8	12 3/8 x 7 7/8 x 9 3/4	8 3/16 x 6 3/8	1/2 FL	3/8 FL	73
HAK()-0050	1/2	1 5/16	5/8	102.6	12 3/8 x 7 7/8 x 9 3/4	8 3/16 x 6 3/8	1/2 FL	3/8 FL	78
HAT()-0050	1/2	1 5/16	3/4	123.8	12 3/8 x 7 7/8 x 9 3/4	8 3/16 x 6 3/8	1/2 FL	3/8 FL	91
KAE()-0050	1/2	1 1/2	5/8	134.2	14 x 7 7/8 x 9 3/4	8 3/16 x 6 3/8	1/2 FL	3/8 FL	91
KAG()-0050	1/2	1 7/16	15/16	184.9	14 x 7 7/8 x 9 3/4	8 3/16 x 6 3/8	1/2 FL	3/8 FL	87
KAM()-0050	1/2	1 3/8	15/16	169	14 x 7 7/8 x 9 3/4	8 3/16 x 6 3/8	1/2 FL	3/8 FL	88
KAN()-0050	1/2	1 3/8	5/8	112.8	14 x 7 7/8 x 9 3/4	8 3/16 x 6 3/8	1/2 FL	3/8 FL	89
KAA()-0075	3/4	1 1/16	15/16	255	14 x 7 7/8 x 9 3/4	8 3/16 x 6 3/8	5/8 FL	3/8 FL	96
KAJ()-0075	3/4	1 9/16	15/16	218.4	14 x 7 7/8 x 9 3/4	8 3/16 x 6 3/8	5/8 FL	3/8 FL	91
KAM()-0075	3/4	1 3/8	15/16	169	14 x 7 7/8 x 9 3/4	8 3/16 x 6 3/8	5/8 FL	3/8 FL	92
KAG()-0075	3/4	1 7/16	15/16	184.9	14 x 7 7/8 x 9 3/4	8 3/16 x 6 3/8	5/8 FL	3/8 FL	91
KAJ()-0100	1	1 9/16	15/16	218.4	14 x 7 7/8 x 9 3/4	8 3/16 x 6 3/8	5/8 FL	1/2 FL	95
KAK()-0100	1	1 11/16	15/16	255	14 x 7 7/8 x 9 3/4	8 3/16 x 6 3/8	5/8 FL	1/2 FL	95
KAL()-0100	1	1 7/8	15/16	313	14 x 7 7/8 x 9 3/4	8 3/16 x 6 3/8	5/8 FL	1/2 FL	94
KAT()-0100	1	1 7/8	1 5/32	389	14 x 7 7/8 x 9 3/4	8 3/16 x 6 3/8	5/8 FL	1/2 FL	95
KAL()-0150	1 1/2	1 7/8	1 5/16	313	14 3/8 x 7 7/8 x 9 3/4	8 3/16 x 6 3/8	7/8 SW	1/2 FL	97
KAT()-0150	1 1/2	1 7/8	1 5/32	389	14 3/8 x 7 7/8 x 9 3/4	8 3/16 x 6 3/8	7/8 SW	1/2 FL	99
EAA()-0150	1 1/2	1 3/4	1 5/32	339	16 1/8 x 12 x 12 7/16	10 1/16 x 10 1/2	7/8 SW	1/2 FL	168
EAB()-0150	1 1/2	1 7/8	1 5/32	389	16 1/8 x 12 x 12 7/16	10 1/16 x 10 1/2	7/8 SW	1/2 FL	168
EAC()-0150	1 1/2	1 3/4	1 5/32	339	16 1/8 x 12 x 12 7/16	10 1/16 x 10 1/2	7/8 SW	1/2 FL	168
EAJ()-0150	1 1/2	1 15/16	1 3/8	492	16 1/8 x 12 x 12 7/16	10 1/16 x 10 1/2	7/8 SW	1/2 FL	168
EAV()-0150	1 1/2	2	1 5/32	442	16 1/8 x 12 x 12 7/16	10 1/16 x 10 1/2	7/8 SW	1/2 FL	158
EAD()-0200	2	1 7/8	1 5/32	389	16 1/8 x 12 x 12 7/16	10 1/16 x 10 1/2	7/8 SW	1/2 FL	165
EAL()-0200	2	2	1 3/8	524	16 1/8 x 12 x 12 7/16	10 1/16 x 10 1/2	7/8 SW	1/2 FL	170
EAV()-0200	2	2	1 5/32	442	16 1/8 x 12 x 12 7/16	10 1/16 x 10 1/2	7/8 SW	1/2 FL	172
3AH()-0200	2	2 1/4	1 3/8	664.2	18 x 13 x 12 15/32	11 5/8 x 11	7/8 SW	1/2 FL	186
3AJ()-0200	2	2 1/8	1 3/8	593.2	18 x 13 x 12 15/32	11 5/8 x 11	7/8 SW	1/2 FL	186
3AB()-0310	3	2	1 3/8	524	18 x 13 x 12 15/32	11 5/8 x 11	1 1/8 SW	5/8 FL	192
LAC()-0310	3	2 7/16	1 7/16	815	18 1/32 x 13 x 14 1/4	11 5/8 x 11	1 1/8 SW	5/8 FL	216
LAH()-0310	3	2 1/4	1 7/16	698	18 1/32 x 13 x 14 1/4	11 5/8 x 11	1 1/8 SW	5/8 FL	215
LAL()-0310	3	2 3/8	1 7/16	775	18 1/32 x 13 x 14 1/4	11 5/8 x 11	1 1/8 SW	5/8 FL	215
LAM()-0310	3	2 7/16	1 11/16	952	18 1/32 x 13 x 14 1/4	11 5/8 x 11	1 1/8 SW	5/8 FL	215

COPELAND

COPELAMETIC® REFRIGERANT-COOLED REFRIGERATION AND A/C COMPRESSORS

2 HP TO 40 HP

FOR USE WITH R12 / R22 / R502



Service Valves (in)

Order Number	HP	Bore	Stroke	CFH @ 60 Hz	L x W x H (in)	Mount L x W (in)	Suction	Discharge	Ship Weight (lbs)
ERA()-0200	2	1 3/4	15/32	339	16 1/16 x 12 x 12 5/8	10 1/16 x 10 1/2	7/8 SW	5/8 FL	170
ERC()-0200	2	1 3/4	15/32	339	16 1/16 x 12 x 12 5/8	10 1/16 x 10 1/2	7/8 SW	5/8 FL	170
ERJ()-0200	2	1 5/16	1 3/8	492	16 1/16 x 12 x 12 5/8	10 1/16 x 10 1/2	7/8 SW	5/8 FL	170
ERF()-0310	3	1 7/8	1 3/8	460	17 1/8 x 12 x 12 7/16	10 1/16 x 10 1/2	1 1/8 SW	5/8 FL	187
NRB()-0310	3	2 1/4	1 7/16	698	21 1/16 x 13 x 15	11 5/8 x 11	1 1/8 SW	5/8 FL	248
NRD()-0310	3	2 7/16	1 7/16	815	21 1/16 x 13 x 15	11 5/8 x 11	1 1/8 SW	5/8 FL	281
NRN()-0310	3	2 3/16	2 1/8	970	21 1/16 x 13 x 15	11 5/8 x 11	1 1/8 SW	5/8 FL	267
3RA()-0310	3	2 3/16	1 3/8	628	18 x 13 x 12 7/16	11 5/8 x 11	1 1/8 SW	5/8 FL	187
3RK()-0310	3	2 5/16	1 3/8	701	18 x 13 x 12 7/16	11 5/8 x 11	1 1/8 SW	5/8 FL	218
NRB()-0400	4	2 1/4	1 7/16	698	20 1/8 x 13 x 15	11 5/8 x 11	1 1/8 SW	5/8 SW	248
MRA()-0500	5	2 1/2	1 13/16	1,080	19 11/16 x 13 x 16 7/16	11 5/8 x 11	1 3/8 SW	7/8 SW	298
MRF()-0500	5	2 1/2	1 13/16	1,080	19 11/16 x 13 x 16 7/16	11 5/8 x 11	1 3/8 SW	7/8 SW	298
MRB()-0500	5	2 5/8	1 13/16	1,191	19 11/16 x 13 x 16 7/16	11 5/8 x 11	1 3/8 SW	7/8 SW	298
NRA()-0500	5	2 7/16	1 7/16	815	20 1/8 x 13 x 15	11 5/8 x 11	1 1/8 SW	7/8 SW	208
NRM()-0500	5	2 3/16	2 1/8	970	21 1/16 x 13 x 15	11 5/8 x 11	1 1/8 SW	7/8 SW	280
9RA()-0505	5	2 3/8	2.0	1,375	22 31/32 x 15 1/16 x 17 1/4	15 x 12	1 3/8 SW	7/8 SW	349
9RB()-0505	5	2 3/8	2.0	1,620	22 31/32 x 15 1/16 x 17 1/4	15 x 12	1 3/8 SW	7/8 SW	353
9RJ()-0505	5	2 3/16	2.0	1,375	22 31/32 x 15 1/16 x 17 1/4	15 x 12	1 3/8 SW	7/8 SW	378
MRF()-0760	7.5	2 9/16	1 13/16	1,136	20 5/8 x 13 x 16 7/16	11 5/8 x 11	1 3/8 SW	1 1/8 SW	310
9RJ()-0765	7.5	2 3/16	2.0	1,375	22 31/32 x 15 1/16 x 17 1/4	15 x 12	1 3/8 SW	1 1/8 SW	366
9RB()-0765	7.5	2 3/8	2.0	1,620	22 31/32 x 15 1/16 x 17 1/4	15 x 12	1 3/8 SW	1 1/8 SW	372
9RC()-0765	7.5	2 3/8	2.0	1,620	22 31/32 x 15 1/16 x 17 1/4	15 x 12	1 3/8 SW	1 1/8 SW	384
9RS()-0765	7.5	2 7/16	2 1/2	2,120	22 31/32 x 15 1/16 x 17 1/4	15 x 12	1 3/8 SW	1 1/8 SW	371
9RC()-1015	10	2 3/8	2.0	1,620	23 27/32 x 15 1/16 x 17 5/16	15 x 12	1 3/8 SW	1 1/8 SW	391
9RS()-1015	10	2 7/16	2 1/2	2,120	23 27/32 x 15 1/16 x 17 5/16	15 x 12	1 3/8 SW	1 1/8 SW	391
4RA()-1000	10	2 1/2	2.0	2,380	24 5/8 x 18 9/16 x 16 3/8	15 x 12	1 3/8 SW	1 1/8 SW	400
6RA()-1000	10	2 1/2	2.0	3,580	24 5/8 x 18 9/16 x 16 3/8	15 x 12	1 3/8 SW	1 3/8 SW	440
9RS()-1505	15	2 7/16	2 1/2	2,120	23 27/32 x 15 1/16 x 17 5/16	15 x 12	1 3/8 SW	1 1/8 SW	418
4RH()-1500	15	2 11/16	2 3/16	3,020	24 5/8 x 18 15/16 x 16 3/8	15 x 12	1 3/8 SW	1 1/8 SW	429
4RL()-1500	15	2 11/16	2 3/16	3,020	27 1/32 x 18 15/16 x 23	15 x 12	1 3/8 SW	1 1/8 SW	429
4RA()-2000	20	2 1/2	2.0	2,380	24 5/8 x 18 9/16 x 16 3/8	15 x 12	1 3/8 SW	1 1/8 SW	411
6RA()-2000	20	2 1/2	2.0	3,580	27 5/8 x 20 1/2 x 17 5/8	15 x 12	2 1/8 SW	1 3/8 SW	450
6RH()-2000	20	2 11/16	2 3/16	4,530	27 5/8 x 20 1/2 x 17 5/8	15 x 12	2 1/8 SW	1 3/8 SW	451
4RH()-2500	25	2 11/16	2 3/16	3,020	26 13/32 x 18 15/16 x 17 5/8	15 x 12	2 1/8 SW	1 1/8 SW	471
6RL()-2500	25	2 11/16	2 3/16	4,530	27 31/32 x 20 1/2 x 24 15/32	15 x 12	2 1/8 SW	1 3/8 SW	482
4RJ()-3000	30	2 15/16	2 3/16	3,603	27 5/32 x 19 13/16 x 17 5/8	15 x 12	2 1/8 SW	1 3/8 SW	495
6RA()-3000	30	2 1/2	2.0	3,580	27 5/8 x 20 1/8 x 17 5/8	15 x 12	2 1/8 SW	1 3/8 SW	496
6RT()-3000	30	2 15/16	2 3/16	5,404	27 31/32 x 21 5/8 x 26 5/32	15 x 12	2 1/8 SW	1 3/8 SW	496
6RH()-3500	35	2 11/16	2 3/16	4,530	28 23/32 x 20 1/2 x 17 5/8	15 x 12	2 1/8 SW	1 3/8 SW	550
6RJ()-4000	40	2 15/16	2 3/16	5,404	28 23/32 x 21 5/8 x 19 5/8	15 x 12	2 1/8 SW	1 3/8 SW	560

COPELAMETIC® REFRIGERATION AND A/C DUTY COMPRESSORS

CAPACITY CONTROL MODELS - 7 1/2 HP TO 40 HP



FOR USE WITH R12 / R22 / R502

Order Number	HP	# of Cyl	Bore	Stroke	CFH @ 1750 RPM	L x W x H (in)	Mount L x W (in)	Service Valves (in)		Ship Weight (lbs)
								Suction	Discharge	
9RP()-0765	7.5	3	2 3/8	2	1,620	22 31/32 x 16 5/16 x 22 7/16	15 x 12	1 3/8 SW	7/8 SW	344
9RP()-1015	10	3	2 3/8	2	1,620	22 31/32 x 16 5/16 x 22 7/16	15 x 12	1 3/8 SW	1 1/8 SW	371
4RE()-1000	10	4	2 1/2	2	2,380	24 5/8 x 18 9/16 x 16 3/8	15 x 12	1 5/8 SW	1 1/8 SW	400
9RT()-1505	15	3	2 7/16	2 1/2	2,120	22 31/32 x 16 5/16 x 22 7/16	15 x 12	1 5/8 SW	1 1/8 SW	385
4RK()-1500	15	4	2 11/16	2 3/16	3,020	24 5/8 x 18 15/16 x 16 3/8	15 x 12	1 5/8 SW	1 1/8 SW	431
4RE()-2000	20	4	2 1/2	2	2,380	24 5/8 x 18 9/16 x 16 3/8	15 x 12	1 5/8 SW	1 1/8 SW	420
6RE()-2000	20	6	2 1/2	2	3,580	29 13/32 x 20 1/8 x 17 5/8	15 x 12	2 1/8 SW	1 3/8 SW	460
6RK()-2000	20	6	2 11/16	2 3/16	4,530	29 13/32 x 20 1/2 x 17 5/8	15 x 12	2 1/8 SW	1 3/8 SW	460
6RN()-2000	20	6	2 1/2	2	3,580	29 13/32 x 22 5/8 x 17 5/8	15 x 12	2 1/8 SW	1 3/8 SW	460
6RP()-2000	20	6	2 11/16	2 3/16	4,530	29 13/32 x 23 x 17 5/8	15 x 12	2 1/8 SW	1 3/8 SW	465
4RK()-2500	25	4	2 11/16	2 3/16	3,020	26 13/32 x 18 15/16 x 17 5/8	15 x 12	2 1/8 SW	1 1/8 SW	449
4RR()-3000	30	4	2 15/16	2 3/16	3,603	27 5/32 x 19 13/16 x 17 5/8	15 x 12	2 1/8 SW	1 3/8 SW	495
6RE()-3000	30	6	2 1/2	2	3,580	29 13/32 x 20 1/8 x 17 5/8	15 x 12	2 1/8 SW	1 3/8 SW	502
6RN()-3000	30	6	2 1/2	2	3,580	29 13/32 x 22 5/8 x 17 5/8	15 x 12	2 1/8 SW	1 3/8 SW	502
6RK()-3500	35	6	2 11/16	2 3/16	4,530	30 5/32 x 20 1/2 x 17 5/8	15 x 12	2 1/8 SW	1 3/8 SW	519
6RP()-3500	35	6	2 11/16	2 3/16	4,530	30 5/32 x 23 x 17 5/8	15 x 12	2 1/8 SW	1 3/8 SW	529
6RR()-4000	40	6	2 15/16	2 3/16	5,404	30 5/32 x 21 5/8 x 19 5/8	15 x 12	2 1/8 SW	1 3/8 SW	566
6RS()-4000	40	6	2 15/16	2 3/16	5,404	30 5/32 x 24 1/8 x 19 5/8	15 x 12	2 1/8 SW	1 3/8 SW	563

COPELAMETIC® REFRIGERATION AND A/C DUTY COMPRESSORS

TWO STAGE MODELS - 5 HP TO 20 HP



FOR USE WITH R12 / R22 / R502

Order Number	HP	# of Cyl	Inches		CFH @ 1750 RPM	L x W x H (in)	Mount L x W (in)	Service Valves (in)	
			Bore	Stroke				Suction	Discharge
9TK()-0505	5	3	2 3/16	2	1375	24 7/8 x 14 x 20 7/8	15 x 12	1 3/8 SWT	7/8 SWT
9TL()-0765	7.5	3	2 3/8	2	1620	24 7/8 x 14 x 20 7/8	15 x 12	1 3/8 SWT	7/8 SWT
9TH()-1015	10	3	2 7/16	2 1/2	2120	25 3/4 x 14 x 20 7/8	15 x 12	1 3/8 SWT	7/8 SWT
6RB()-1000	10	6	2 1/2	2	3580	28 3/32 x 21 5/8 x 20 25/32	15 x 12	1 3/8 SWT	1 3/8 SWT
6RB()-2000	20	6	2 1/2	2	3580	28 3/32 x 21 5/8 x 20 25/32	15 x 12	1 3/8 SWT	1 3/8 SWT
6TM()-2000	20	6	2 11/16	2 3/16	4530	28 3/32 x 22 x 21	15 x 12	1 3/8 SWT	1 3/8 SWT

COPELAND

COPELAMETIC® COMPRESSORS FOR COMMERCIAL REFRIGERATION

HIGH TEMPERATURE - H, K, E, 3, L, N SERIES

FOR USE WITH R22



RATING CONDITIONS (°F): Evaporation: 45 / Condensing: 130 / Return Gas: 65 / Liquid: 130 / Ambient: 95

Amperage Ratings Start Capacitor Run Capacitor

Order Number	BTU/hr	Volts/Phase	Amperage Ratings			Start Capacitor		Run Capacitor		Relay Part # (040-)	Motor Protector # (071-)
			RLA	LRA	MCC	MFD	Volts	MFD	Volts		
HAG2-0050-CAA-800	5,410	115-1	8.6	44	12	400-480	110	10	370	0001-22	0099-03
HAG2-0050-CAV-800	5,410	208/230-1	4.4	22	5.6	108-130	330	10	370	0001-03	0092-27
HAG1-0050-TAC-800	5,280	208/230-3	2.4	13	3.3	-	-	-	-	-	0090-42
KAN2-0075-CAA-800	8,360	115-1	11.7	65	16.4	541-634	110	30	370	0001-22	0099-06
KAN2-0075-CAV-800	8,360	208/230-1	6.1	36	8.5	145-174	220	10	370	0001-03	0092-41
KAN1-0075-TAC-800	8,560	208/230-3	3.5	19.9	4.9	-	-	-	-	-	0090-41
KAR2-0100-CAA-800	11,900	115-1	15.4	93	21.5	430-516	125	40	330	0001-11	0099-05
KAR2-0100-CAV-800	11,900	208/230-1	7.4	40	10.3	145-174	220	20	440	0001-04	0092-39
KAR1-0100-TAC-800	11,500	208/230-3	4.3	27	6	-	-	-	-	-	0090-40
KAR1-0100-TAD-800	11,500	460-3	2.2	13.5	3.1	-	-	-	-	-	0090-43
KAM2-0100-CAA-800	13,800	115-1	15.5	93	21.7	430-516	125	40	330	0001-11	0099-05
KAM2-0100-CAV-800	13,800	208/230-1	7.5	40	10.5	145-174	220	20	440	0001-04	0092-39
KAM1-0100-TAC-800	13,300	208/230-3	4.5	27	6.3	-	-	-	-	-	0090-40
KAM1-0100-TAD-800	13,300	460-3	2.2	13.5	3.1	-	-	-	-	-	0090-43
KAGB-0150-CAV-800	15,300	208/230-1	9.6	55	13.4	130-156	330	25	480	0001-00	0099-04
KAGA-0150-TAC-800	15,300	208/230-3	5.5	35.5	7.7	-	-	-	-	-	0090-39
KAGA-0150-TAD-800	15,300	460-3	2.5	18.2	3.5	-	-	-	-	-	0090-27
KAKB-0200-CAV-800	21,400	208/230-1	10.6	55	14.8	130-156	330	25	480	0001-00	0099-04
KAKA-0200-TAC-800	21,000	208/230-3	6.8	50	9.5	-	-	-	-	-	0099-35
KAKA-0200-TAD-800	21,000	460-3	3	25	4.2	-	-	-	-	-	0099-16
ERA2-0200-CAB-800	20,100	230-1	10.4	58	14.5	130-156	330	25	440	0001-00	0103-02
ERA1-0200-TAC-800	20,000	208/230-3	6.6	46	9.2	-	-	-	-	-	0090-00
ERA1-0200-TAD-800	20,000	460-3	3.5	46	4.9	-	-	-	-	-	0090-08
ERA1-0200-TAE-800	20,000	575-3	3.5	23	4.9	-	-	-	-	-	0090-08
EAD2-0320-CAB-800	30,700	230-1	16	102	22.4	189-227	330	40	440	0001-08	0119-02
EAD1-0320-TAC-800	31,800	208/230-3	12.4	85	17	-	-	-	-	-	0090-38
EAD1-0320-TAD-800	31,800	460-3	5.2	42	7.3	-	-	-	-	-	0090-03
ERF2-0310-CAB-800	35,900	230-1	17	86	24.3	130-156	330	40	440	0001-08	0119-00
ERF1-0311-TAC-800	35,200	208/230-3	12.4	82	17	-	-	-	-	-	0090-36
ERF1-0311-TAD-800	35,200	460-3	5.8	41	8.1	-	-	-	-	-	0090-10
ERF1-0300-TAE-800	35,200	575-3	5.2	30	7	-	-	-	-	-	0090-16
NRB2-0400-TFC-800	50,100	208/230-3	21.8	141	30.5	-	-	-	-	-	Internal
NRB2-0400-TFD-800	50,100	460-3	11.3	62.5	15.8	-	-	-	-	-	Internal
NRB2-0400-TFE-800	50,100	575-3	9.2	53.4	12.9	-	-	-	-	-	Internal
NRA2-0500-TFC-800	57,600	208/230-3	19.2	141	26.9	-	-	-	-	-	Internal
NRA2-0500-TFD-800	57,600	460-3	9.6	62.5	13.5	-	-	-	-	-	Internal
NRA2-0500-TFE-800	57,600	575-3	9.2	53.4	12.9	-	-	-	-	-	Internal

COPELAMETIC® COMPRESSORS FOR COMMERCIAL REFRIGERATION

MEDIUM TEMPERATURE - H, K, E, 3, L, N SERIES

FOR USE WITH R22



RATING CONDITIONS (°F): Evaporation: 20 / Condensing: 120 / Return Gas: 65 / Liquid: 120 / Ambient: 95

Order Number	BTU/hr	Volts/Phase	Amperage Ratings			Start Capacitor		Run Capacitor		Relay Part # (040-)	Motor Protector # (071-)
			RLA	LRA	MCC	MFD	Volts	MFD	Volts		
H AJ2-0050-CAA-800	3,800	115-1	8.5	44	11.9	400-480	110	10	370	0001-22	0099-03
H AJ2-0050-CAV-800	3,800	208/230-1	3.7	22	5.2	108-130	330	10	370	0001-03	0090-27
H AJ1-0050-TAC-800	3,700	208/230-3	2.2	13	3.1	-	-	-	-	-	0090-42
K AE2-0075-CAA-800	6,090	115-1	10.9	65	15.2	541-634	110	30	370	0001-22	0099-06
K AE2-0075-CAV-800	6,090	208/230-1	5.4	36	7.6	145-174	220	10	370	0001-03	0092-29
K AE1-0075-TAC-800	6,080	208/230-3	3.4	19.9	4.7	-	-	-	-	-	0090-41
ERC2-0200-CAB-800	14,400	230-1	10.9	58	15.2	130-156	330	25	440	0001-00	0099-01
ERC1-0200-TAC-800	14,500	208/230-3	6.8	46	9.5	-	-	-	-	-	0090-00
ERC1-0200-TAD-800	14,500	460-3	3.6	23	5.1	-	-	-	-	-	0090-08
3RA2-0310-CAB-800	25,800	230-1	17.8	86	24.9	130-156	330	40	440	0001-08	0119-02
3RA1-0311-TAC-800	25,800	208/230-3	14.2	82	19.8	-	-	-	-	-	0090-32
3RA1-0311-TAD-800	25,800	460-3	6.3	41	8.8	-	-	-	-	-	0090-22
NRM1-0500-TFC-800	43,400	208/230-3	24.3	141	34	-	-	-	-	-	Internal
NRM1-0500-TFD-800	43,400	460-3	12.1	62.5	16.9	-	-	-	-	-	Internal
NRM1-0500-TFE-800	43,400	575-3	9.2	53.4	12.9	-	-	-	-	-	Internal

LOW TEMPERATURE - H, K, E, 3, L, N SERIES

FOR USE WITH R22

RATING CONDITIONS (°F): Evaporation: -25 / Condensing: 105 / Return Gas: 65 / Liquid: 105 / Ambient: 95

Order Number	BTU/hr	Volts/Phase	Amperage Ratings			Start Capacitor		Run Capacitor		Relay Part # (040-)	Motor Protector # (071-)
			RLA	LRA	MCC	MFD	Volts	MFD	Volts		
H AFB-0033-IAA-800	695	115-1	5.4	31	7.5	324-389	115	-	-	0001-01	0092-04
H ATB-0051-CAA-800	1,930	115-1	10.4	58	14.6	400-480	115	10	370	0001-11	0099-03
K ANB-0050-IAA-800	1,340	115-1	8	45	11.2	400-480	115	-	-	0001-01	0092-06
K ANB-0050-CAV-800	1,340	208/230-1	3.6	24	5	108-130	330	10	370	0001-03	0092-37
K AMB-0075-CAA-800	2,720	115-1	10.9	85.5	15.3	430-516	125	40	330	0001-11	0092-40
K AMB-0075-CAV-800	2,720	208/230-1	5.6	36	7.9	145-174	220	10	370	0001-03	0092-29
K AMA-0075-TAC-800	2,470	208/230-3	3.2	19.9	4.5	-	-	-	-	-	0092-41
K AJB-0100-CAV-800	3,470	208/230-1	6.9	40	9.7	145-174	220	20	440	0001-04	0092-39
K AJA-0101-TAC-800	3,370	208/230-3	4.5	27	6.3	-	-	-	-	-	0092-16
K AKB-0200-CAV-800	4,030	208/230-1	10.6	55	12.8	130-156	330	25	440	0001-61	0099-04
K AKA-0200-TAC-800	3,800	208/230-3	6.8	55	9.5	-	-	-	-	-	0091-35
E ADB-0200-CAB-800	5,590	230-1	8.4	58	11.8	130-156	330	25	440	0001-00	0092-18
E ADA-0200-TAC-800	5,710	208/230-3	6.8	46	9.5	-	-	-	-	-	0090-00
E ADA-0200-TAD-800	5,710	460-3	3.1	20.4	4.3	-	-	-	-	-	0090-15
E AVB-0210-CAV-800	6,820	208/230-1	14.7	102	20.6	189-227	330	40	440	0001-08	0119-02
E AVA-0210-TAC-800	6,470	208/230-3	7.4	50	10.3	-	-	-	-	-	0090-35
E AVA-0210-TAD-800	6,470	460-3	3.9	26.6	5.4	-	-	-	-	-	0090-41
3A JB-0210-CAB-800	8,310	230-1	14.4	86	20.2	189-227	330	40	440	0001-08	0119-05
3A JA-0210-TAC-800	8,420	208/230-3	10	82	14	-	-	-	-	-	0090-44
L AHB-0311-CAB-800	9,890	230-1	16.6	93	23.2	189-227	330	40	440	0001-08	0119-05
L AHA-0310-TAC-800	9,840	208/230-3	10.7	82	12.2	-	-	-	-	-	0090-19
L AHA-0310-TAD-800	9,840	460-3	5.2	41	7.2	-	-	-	-	-	0090-03

COPELAND

COPELAMETIC® COMPRESSORS FOR COMMERCIAL REFRIGERATION

MEDIUM TEMPERATURE - H, K, E, 3A, 3R, L, N SERIES

FOR USE WITH R404A / R507

RATING CONDITIONS (°F): Evaporation: 20 / Condensing: 120 / Return Gas: 65 / Liquid: 120 / Ambient: 95



Conditions Amperage Ratings

Order Number	Volts/Phase	Conditions				Amperage Ratings				Relay Part	Motor Protector # (071-)
		BTU/hr	Watts	Amps	EER	RLA	LRA	MCC			
H AJB-005E-CAV-800	208/230-1	3,910	685	3.3	5.7	3.7	22	5.2	0001-09	0092-27	
KARA-010E-TAC-800	208/230-3	7,220	1,280	4.1	5.6	4.3	27	6	0001-04	0090-40	
KARB-010E-CAV-800	208/230-1	7,490	1,320	6.2	5.7	7.4	40	10	-	0092-39	
KAKA-020E-TAC-800	208/230-3	11,900	1,850	6.4	6.4	6.8	50	9.1	0001-00	0090-35	
KAKB-021E-CAV-800	208/230-1	12,100	2,130	10	5.7	10.6	55	14.2	-	0099-04	
ERCA-021E-TAC-800	208/230-3	15,100	2,480	7	6.1	8.8	46	12.3	-	0090-49	
ERFA-031E-TAC-800	208/230-3	22,300	3,460	10	6.5	12.4	82	17.4	-	0090-36	
ERFA-031E-TAD-800	460-3	22,300	3,460	5	6.5	5.8	41	8.1	-	0090-10	
ERFA-031E-TAE-800	575-3	22,300	3,460	4	6.5	5.2	30	7	-	0090-16	
3RAA-031E-TAC-800	208/230-3	26,200	4,240	12	6.2	14.2	82	19.8	-	0091-32	
NRB2-040E-TFC-800	208/230-3	29,900	4,770	16	6.3	21.8	141	30.6	-	Internal	

MEDIUM TEMPERATURE - H, K, E, 3A, 3R, L, N SERIES

FOR USE WITH R404A / R507

ELECTRICAL SUMMARY

Start Capacitor Run Capacitor

Order Number	Start Capacitor		Run Capacitor		Relay Part # (040-)
	MFD	Volts	MFD	Volts	
H AJB-005E-CAV	108-130	330	10	370	0001-49
KARA-010E-TAC	-	-	-	-	-
KARB-010E-CAV	145-174	220	20	440	0001-50
KATA-020E-TAC	-	-	-	-	-
HAKB-021E-CAV	130-156	330	40	440	0001-61
ERAC-021E-TAC	-	-	-	-	-
ERAC-031E-TAC/TAD/TAE	-	-	-	-	-
3RAA-031E-TAC	-	-	-	-	-
NRB2-040E-TFC	-	-	-	-	-

LOW TEMPERATURE - H, K, E, 3A, 3R, L, N SERIES

FOR USE WITH R404A / R507

RATING CONDITIONS (°F): Evaporation: -25 / Condensing: 105 / Return Gas: 65 / Liquid: 105 / Ambient: 95

Order Number	Volts/Phase	BTU/hr	Conditions				Amperage Ratings			Start Capacitor		Run Capacitor		Motor Protector # (071-)
			Watts	Amps	EER	RLA	LRA	MCC	MFD	Volts	MFD	Volts		
HAFB-003E-IAA-800	115-1	882	310	5	2.9	5.4	31	7.5	324-389	115	-	370	0092-04	
KANA-006E-TAC-800	208/230-3	1,410	421	2	3.3	2.2	13.2	3.1	400-480	115	-	440	0090-21	
KANB-005E-IAA-800	115-1	1,510	443	4	3.4	8	45	11.2	108-130	330	10	-	0092-06	
KANB-005E-CAV-800	208/230-1	1,510	443	2	3.4	3.6	24	4.9	-	-	-	440	0092-37	
KAEA-007E-TAC-800	208/230-3	1,980	556	2	3.6	3.4	19.9	4.6	400-480	115	20	-	0090-41	
KAEB-007E-CAA-800	115-1	2,030	611	7	3.3	10.9	65	15.1	540-648	115	30	-	0099-06	
KAEB-007E-CAV-800	208/230-1	2,030	611	4	3.3	5.4	36	7.6	145-174	220	10	-	0092-29	
HATB-005E-CAA-800	115-1	2,070	595	9	3.5	10.4	58	14.6	-	-	-	-	0099-03	
KAMA-007E-TAC-800	208/230-3	2,610	679	3	3.8	3.2	19.9	4.5	430-516	125	40	-	0090-41	
KAMB-007E-CAA-800	115-1	2,800	730	8	3.8	10.9	85.5	15.3	145-174	220	10	-	0092-40	
KAMB-007E-CAV-800	208/230-1	2,800	730	4	3.8	5.6	36	7.9	-	-	-	-	0092-29	
KAJA-011E-TAC-800	208/230-3	3,710	929	3.6	4	4.6	27	6.4	145-174	220	20	-	0090-50	
KAJA-011E-TAD-800	460-3	3,710	929	1.8	4	2.1	15	2.8	-	-	-	-	0090-42	
KAJB-010E-CAV-800	208/230-1	3,810	914	4.5	4.2	6.9	40	9.7	-	-	-	-	0092-39	
KAKB-011E-CAV-800	208/230-1	4,410	1,280	5.9	3.5	7.9	40	11	145-174	220	40	-	0092-42	
KALA-016E-TAC-800	208/230-3	5,610	1,310	5.3	4.3	6.6	50	9.3	130-156	330	25	-	0090-35	
KALA-016E-TAD-800	460-3	5,610	1,310	2.6	4.3	3.4	25	4.8	-	-	-	-	0090-16	
KALB-015E-CAV-800	208/230-1	5,690	1,440	7	4	9.9	55	13.9	-	-	-	-	0099-04	
EADA-020E-TAC-800	208/230-3	6,260	1,480	4.8	4.2	6.8	46	9.5	-	-	-	-	0090-00	
EADB-021E-CAB-800	230-1	6,290	1,560	7.2	4	10	58	14	130-156	330	25	-	0099-03	
EAVA-021E-TAC-800	208/230-3	6,970	1,620	5.6	4.3	7.4	50	10.3	-	-	-	-	0090-35	
EAVA-021E-TAD-800	460-3	6,970	1,620	2.8	4.3	3.9	26.6	4.5	189-227	330	40	-	0090-13	
EAVA-021E-TAE-800	575-3	6,970	1,620	2.2	4.3	3.1	20	4.4	8	-	-	-	0090-52	
KATA-020E-TAU-800	200-3	7,020	1,640	6.2	4.3	7.2	51	9	8	-	-	-	0090-31	
EAVB-021E-CAV-800	208/230-1	7,510	1,900	9.2	4	14.7	102	20.6	8	-	-	-	0119-05	
3ABA-031E-TAC-800	208/230-3	8,440	1,940	6.9	4.4	10	82	14	189-227	330	40	-	0090-37	
3ABB-032E-CAB-800	230-1	8,530	2,150	9.8	4	14.7	86	20.6	-	-	-	-	0119-02	
LAHB-032E-CAB-800	230-1	11,200	2,780	13.2	4	16.7	105	23.4	189-227	330	60	-	0119-05	
LAHA-032E-TAC-800	208/230-3	11,200	2,440	9.4	4.6	12.8	112	17.9	-	-	-	-	0090-47	
LAHA-032E-TAD-800	460-3	11,200	2,440	4.7	5	6	56	8.4	-	-	-	-	0090-53	
LAHA-032E-TAE-800	575-3	11,200	2,440	3.8	5	4.1	30	5.8	-	-	-	-	0090-14	
LALA-032E-TAC-800	208/230-3	13,000	2,930	10.5	4	12.6	112	17.6	-	-	-	-	0090-47	
LALA-032E-TAD-800	460-3	13,000	2,930	5.2	4	6.2	56	8.7	-	-	-	-	0090-46	
NRD1-040E-CFB-800	230-1	13,600	3,610	17.3	4	27.7	115	38.8	216-259	330	40	-	Internal	
NRD1-032E-TFC-800	208/230-3	14,300	3,470	11.4	4	16.3	82	22.8	-	-	-	-	Internal	
NRD1-032E-TFD-800	460-3	14,300	3,470	5.7	4	8.4	41	11.8	-	-	-	-	Internal	

COPELAND

COPELAMETIC® COMPRESSORS FOR COMMERCIAL REFRIGERATION

LOW TEMPERATURE - H, K, E, 3A, 3R, L, N SERIES

FOR USE WITH R404A / R507



ELECTRICAL SUMMARY

Order Number	MFD	Volts	MFD	Volts	Relay Part # (040-)
HAFB-003E-IAA	324-389	115	-	-	0001-48
KANA-006E-TAC	-	-	-	-	-
KANB-005E-CAV	108-130	330	10	370	0001-49
KANB-005E-IAA	400-480	115	-	-	0001-48
HATB-005E-CAA	400-480	115	20	370	0001-51
KAEA-007E-TAC	-	-	-	-	-
KAEB-007E-CAA	540-648	115	30	370	0001-75
KAEB-007E-CAV	145-174	220	10	370	0001-49
KAMA-007E-TAC	-	-	-	-	-
KAMB-007E-CAA	430-516	125	40	370	0001-51
KAMB-007E-CAV	145-174	220	10	370	0001-49
KAJA-011E-TAC/TAD	-	-	-	-	-
KAJB-010E-CAV	145-174	220	20	440	0001-50
KAKB-011E-CAV	145-174	220	40	440	0001-50
KALA-016E-TAC/TAD	-	-	-	-	-
KALB-015E-CAV	130-156	330	25	480	0001-61
EADA-020E-TAC	-	-	-	-	-
EADB-021E-CAB	130-156	330	25	440	0001-60
KATA-020E-TAU	-	-	-	-	-
KACA-020E-TAU	-	-	-	-	-
EAVA-021E-TAC/TAD/TAE	-	-	-	-	-
EAVB-021E-CAV	189-227	330	40	440	0001-69
3ABA-031E-TAC	-	-	-	-	-
3ABB-032E-CAB	189-227	330	40	440	0001-69
LAHA-032E-TAC/TAD/TAE	-	-	-	-	-
LAHA-032E-CAB	189-227	330	60	440	0001-69
LALA-032E-TAC/TAD	-	-	-	-	-
NRD1-032E-TFC/TFD	-	-	-	-	-
NRD1-040E-CFB	216-259	330	40	440	0001-69

EXTENDED LOW TEMPERATURE - H, K, E, 3A, 3R, L, N SERIES

FOR USE WITH R404A / R507

RATING CONDITIONS (°F): Evaporation: -25 / Condensing: 105 / Return Gas: 65 / Liquid: 105 / Ambient: 95

Conditions Amperage Ratings Start Capacitor Run Capacitor

Order Number	Volts/Phase	BTU/hr	Watts	Amps	EER	RLA	LRA	MCC	MFD	Volts	MFD	Volts	Motor Protector # (071-)
HAKB-003E-IAA-800	115-1	1,230	425	5.6	3	4.7	31	6.6	324-389	115	-	-	0092-04
KAGB-005E-IAA-800	115-1	2,930	832	9.6	4	7.8	45	10.9	400-480	115	-	-	0092-06
KAAB-007E-CAA-800	115-1	4,200	1,130	12	4	10.2	59.8	14.3	540-648	115	25	440	0099-00
KALB-010E-CAV-800	208/230-1	5,380	1,330	6.2	4	6.9	40	9.7	145-174	220	20	440	0092-39
KATA-015E-TAC-800	208/230-3	6,700	1,650	5.4	4	5	35.5	7	130-156	330	25	480	0090-03
KATB-015E-CAV-800	208/230-1	6,900	1,700	8.2	4	9.6	55	12.6	-	-	-	-	0099-04
LALB-032E-CAB-800	230-1	12,700	3,240	15.2	4	15	105	21	189-227	330	60	440	0119-05
LACB-032E-CAB-800	230-1	14,700	3,370	15.8	4	15.5	105	21.7	189-227	330	60	440	0119-05
LACA-032E-TAD-800	460-3	14,600	3,070	5.4	5	6	56	8.4	-	-	-	-	0090-53

ELECTRICAL SUMMARY

Order Number	MFD	Volts	MFD	Volts	Relay Part # (040-)
HAKB-003E-IAA	324-389	115	-	-	0001-48
KAGB-005E-IAA	400-480	115	-	-	0001-48
KAAB-007E-CAA	540-648	115	25	440	0001-48
KALB-010E-CAV	145-174	220	20	440	0001-50
KATA-015E-TAC	-	-	-	-	-
KATB-015E-CAV	130-156	330	25	480	0001-61
LALB-032E-CAB	189-227	330	60	440	0001-69
LACA-032E-TAD	-	-	-	-	-
LACB-032E-CAB	189-227	330	60	440	0001-69

DISCUS® COMPRESSORS FOR COMMERCIAL REFRIGERATION

LOW TEMPERATURE DEMAND COOLING - 2D, 3D, 4D, 6D

FOR USE WITH R22



RATING CONDITIONS (°F): Evaporation: -25 / Condensing: 105 / Return Gas: 65 / Liquid: 105 / Ambient: 95

Order Number	Volts/Phase	CFH	Conditions				Amperage Ratings			Motor Protector # (071-)
			BTU/hr	Watts	Amps	EER	RLA	LRA	MCC	
2DF3-F16KE-TFC-800	208-230/3	904	13400	2770	10.8	4.8	16.8	102.0	22.3	Internal
2DF3-F16KE-TFD-800	460/3	904	13400	2770	5.4	4.8	8.1	52.0	11.1	Internal
2DF3-F16KE-TFE-800	575/3	904	13400	2770	4.3	4.8	6.7	41.0	9.4	Internal
2DL3-F20KE-TFC-800	208-230/3	1008	16100	3260	12.1	4.9	26.3	161.0	33.8	Internal
2DL3-F20KE-TFD-800	460/3	1008	16100	3260	6.1	4.9	10.2	60.0	12.2	Internal
2DL3-F20KE-TFE-800	575/3	1008	16100	3260	4.8	4.9	7.7	49.0	10.5	Internal
2DA3-F23K0-TFC-800	208-230/3	1135	18800	3850	14.8	4.9	28.8	161.0	35.6	Internal
2DA3-F23K0-TFD-800	460/3	1135	18800	3850	7.34	4.9	10.2	60.0	13.6	Internal
2DA3-F23K0-TFE-800	575/3	1135	18800	3850	5.9	4.9	9.1	49.0	11.8	Internal
2DB3-F25KE-TFC-800	208-230/3	1191	20500	3950	15.0	5.2	28.2	161.0	35.6	Internal
2DB3-F25KE-TFD-800	460/3	1191	20500	3950	7.5	5.2	13.3	80.0	18.0	Internal
2DB3-F25KE-TFE-800	575/3	1191	20500	3950	6.0	5.2	9.6	63.0	13.4	Internal
3DA3-F28K0-TFC-800	208-230/3	1375	23200	4650	16.7	5.0	30.3	150.0	37.5	Internal
3DA3-F28K0-TFD-800	460/3	1375	23200	4650	8.4	5.0	16.8	77.0	16.8	Internal
3DA3-F28K0-TFE-800	575/3	1375	23200	4650	6.7	5.0	10.5	62.0	14.7	Internal
3DB3-F33K0-TFC-800	208-230/3	1620	29000	5550	18.9	5.2	31.5	161.0	44.0	Internal
3DB3-F33K0-TFD-800	460/3	1620	29000	5550	9.5	5.2	16.1	83.0	22.0	Internal
3DB3-F33K0-TFE-800	575/3	1620	29000	5550	7.6	5.2	11.0	67.0	15.4	Internal
3DF3-F40K0-TFC-800	208-230/3	1915	34400	6740	22.7	5.1	39.0	215.0	51.8	Internal
3DF3-F40K0-TFD-800	460/3	1915	34400	6740	11.4	5.1	16.9	106.0	23.4	Internal
3DF3-F40K0-TFE-800	575/3	1915	34400	6740	9.1	5.1	16.5	84.0	19.7	Internal
3DS3-F46K0-TFC-800	208-230/3	2120	37500	7470	24.4	5.0	42.0	215.0	49.2	Internal
3DS3-F46K0-TFD-800	460/3	2120	37500	7470	12.2	5.0	18.6	106.0	22.9	Internal
3DS3-F46K0-TFE-800	575/3	2120	37500	7470	9.8	5.0	16.8	84.0	22.7	Internal
4DA3-R12M0-TSK-800	208-230/3, 460/3	2380	39000	8070	27.0	4.8	42.0	240.0	49.0	SS Module
4DA3-R12M0-TSE-800	575/3	2380	39000	8070	10.8	4.8	17.4	106.0	20.0	SS Module
4DA3-R12M0-FSD-800	460/3	2380	39000	8070	13.6	4.8	20.0	115.0	23.1	SS Module
4DL3-F63K0-TSK-800	208-230/3, 460/3	3020	52300	10670	37.0	4.9	52.6	278.0	73.6	SS Module
4DL3-F63K0-TSE-800	575/3	3020	52300	10670	14.6	4.9	20.9	113.0	25.0	SS Module
4DL3-F63K0-FSD-800	460/3	3020	52300	10700	18.3	4.9	24.5	136.0	28.3	SS Module
4DT3-F76K0-TSK-800	208-230/3, 460/3	3603	62500	12600	42.0	5.0	66.0	374.0	72.0	SS Module
4DT3-F76K0-TSE-800	575/3	3603	62500	12600	16.7	5.0	24.2	135.0	27.5	SS Module
4DT3-F76K0-FSD-800	460/3	3603	62500	12600	20.9	5.0	33.9	180.0	39.1	SS Module
6DL3-F93K0-TSK-800	208-230/3, 460/3	4530	78300	16100	54.7	4.9	80.8	450.0	95.0	SS Module
6DL3-F93K0-TSE-800	575/3	4530	78300	16100	21.9	4.9	32.5	172.0	36.4	SS Module
6DL3-F93K0-FSD-800	460/3	4530	78300	16100	27.4	4.9	41.6	218.0	48.0	SS Module
6DT3-F11M0-TSK-800	208-230/3, 460/3	5404	93400	19200	64.7	4.9	95.6	470.0	106.0	SS Module
6DT3-F11M0-TSE-800	575/3	5404	93400	19200	25.9	4.9	39.6	200.0	44.0	SS Module
6DT3-F11M0-FSD-800	460/3	5404	93400	19200	32.4	4.9	42.8	235.0	49.5	SS Module

COPELAND

DISCUS® COMPRESSORS FOR COMMERCIAL REFRIGERATION

MEDIUM TEMPERATURE - 2D, 3D, 4D, 6D

FOR USE WITH R22

RATING CONDITIONS (°F): Evaporation: 20 / Condensing: 120 / Return Gas: 65 / Liquid: 120 / Ambient: 95



Order Number	BTU/hr	Model w/Unloading		Volts/Phase	Amperage Ratings			Motor Protector # (071-)
		1 Bank	2 Bank		RLA	LRA	MCC	
2DC3-R53K0-CFB-800	32,700	-	-	230-1	29.9	125	42.3	Internal
2DC3-R53K0-TFC-800	34,900	-	-	208/230-3	22.3	120	31.2	Internal
2DC3-R53K0-TFD-800	34,900	-	-	460-3	10.4	60	14.6	Internal
2DC3-R53K0-TFE-800	34,900	-	-	575-3	7.7	40	10.6	Internal
2DD3-R63K0-TFC-800	41,000	-	-	208/230-3	31.2	120	31.2	Internal
2DD3-R63K0-TFD-800	41,000	-	-	460-3	10.5	60	14.7	Internal
2DD3-R63K0-TFE-800	41,000	-	-	575-3	7.9	40	11.1	Internal
2DL3-R78K0-TFC-800	52,400	-	-	208/230-3	31.6	169	44.2	Internal
2DL3-R78K0-TFD-800	52,400	-	-	460-3	13.8	85	19.3	Internal
2DL3-R78K0-TFE-800	52,400	-	-	575-3	13.2	67	18.5	Internal
2DA3-R89K0-TFC-800	59,400	-	-	208/230-3	32	169	44.8	Internal
2DA3-R89K0-TFD-800	59,400	-	-	460-3	14.1	85	19.4	Internal
2DA3-R89K0-TFE-800	59,400	-	-	575-3	13.3	67	18.6	Internal
3DA3-R10M0-TFC-800	72,800	3DE3	-	208/230-3	41	215	57.4	Internal
3DA3-R10M0-TFD-800	72,800	3DE3	-	460-3	20	106	28	Internal
3DA3-R10M0-TFE-800	72,800	3DE3	-	575-3	16.5	84	23	Internal
3DB3-R12M0-TFC-800	87,200	3DP3	-	208/230-3	43.6	215	61	Internal
3DB3-R12M0-TFD-800	87,200	3DP3	-	460-3	20	106	28	Internal
3DB3-R12M0-TFE-800	87,200	3DP3	-	575-3	16.5	84	23.1	Internal
3DF3-R15M0-TFC-800	101,000	3DK3	-	208/230-3	48.2	275	67.4	Internal
3DF3-R15M0-TFD-800	101,000	3DK3	-	460-3	23.6	138	30.3	Internal
3DF3-R15M0-TFE-800	101,000	3DK3	-	575-3	19.5	110	24.5	Internal
3DS3-R17M0-TFC-800	116,000	3DT3	-	208/230-3	59.6	275	83.5	Internal
3DS3-R17M0-TFD-800	116,000	3DT3	-	460-3	29	138	40.6	Internal
3DS3-R17M0-TFE-800	116,000	3DT3	-	575-3	23.6	110	33	Internal
4DA3-R18M0-TSK-800	123,000	4DE3	-	208/230-3	66	308	93.2	SS Module
4DA3-R18M0-TSK-800	123,000	4DE3	-	460-3	33	154	46.6	SS Module
4DA3-R18M0-TSE-800	123,000	4DE3	-	575-3	24.7	135	34.6	SS Module
4DA3-R18M0-FSD-800	123,000	4DE3	-	460-3	33.6	173	47	SS Module
4DH3-R22M0-TSK-800	158,000	4DK3	-	208/230-3	82.2	428	115.0	SS Module
4DH3-R22M0-TSD-800	158,000	4DK3	-	460-3	41.1	214	57.5	SS Module
4DH3-R22M0-TSE-800	158,000	4DK3	-	575-3	34.4	172	48.1	SS Module
4DH3-R22M0-FSD-800	158,000	4DK3	-	460-3	40.6	206	56.8	SS Module
4DJ3-R28M0-TSK-800	187,000	4DR3	-	208/ 230-3, 460-3	94, 47	470, 235	131.6, 65.8	SS Module
4DJ3-R28M0-TSE-800	187,000	4DR3	-	575-3	39.3	200	55	SS Module
4DJ3-R28M0-FSD-800	187,000	4DR3	-	460-3	45	235	63	SS Module
6DG3-R37M0-TSK-800	254,000	6DM3	6DN3	230-3	135.0	650	189.0	SS Module
6DG3-R37M0-TSN-800	254,000	6DM3	6DN3	208/ 230-3, 460-3	125, 62.5	594, 297	175, 87.5	SS Module
6DG3-R37M0-TSE-800	254,000	6DM3	6DN3	575-3	46	245	64	SS Module
6DG3-R37M0-FSD-800	254,000	6DM3	6DN3	460-3	66	315	92.4	SS Module
6DG3-R37M0-FSU-800	254,000	6DM3	6DN3	200-3	150.0	754	210.0	SS Module
6DH3-R35M0-TSK-800	230,000	6DK3	6DP3	208/ 230-3, 460-3	107, 53.5	565, 283	150, 53.5	SS Module
6DH3-R35M0-TSD-800	230,000	6DK3	6DP3	460-3	55.0	260	77.0	SS Module
6DH3-R35M0-TSE-800	230,000	6DK3	6DP3	575-3	42.2	230	59.1	SS Module
6DH3-R35M0-FSD-800	230,000	6DK3	6DP3	460-3	55	260	77	SS Module
6DJ3-R40M0-TSD-800	281,000	6DR3	6DS3	208/ 230-3, 460-3	142, 71	594, 297	198, 99	SS Module
6DJ3-R40M0-TSE-800	281,000	6DR3	6DS3	575-3	53.5	245	74.9	SS Module
6DJ3-R40M0-FSD-800	281,000	6DR3	6DS3	460-3	70	315	98	SS Module
6DJ3-R40M0-FSU-800	281,000	6DR3	6DS3	200-3	150	754	210	SS Module

DISCUS® COMPRESSORS FOR AIR CONDITIONING

AIR CONDITIONING - 2D, 3D, 4D, 6D, 8D

FOR USE WITH R22

RATING CONDITIONS (°F): Evaporation: 45 / Condensing: 130 / Return Gas: 65 / Liquid: 115 / Ambient: 95



Order Number	BTU/hr	Model w/Unloading		Volts/Phase	Amperage Ratings			Motor Protector # (071-)
		1 Bank	2 Bank		RLA	LRA	MCC	
2DC3-R53K0-TFC-800	62,700	-	-	208/230-3	22.3	120	31.2	Internal
2DC3-R53K0-TFD-800	62,700	-	-	460-3	10.4	60	14.6	Internal
2DC3-R53K0-TFE-800	62,700	-	-	575-3	7.7	49	10.8	Internal
2DD3-R63K0-TFC-800	72,800	-	-	208/230-3	22.3	120	31.2	Internal
2DD3-R63K0-TFD-800	72,800	-	-	460-3	10.5	60	14.7	Internal
2DD3-R63K0-TFE-800	72,800	-	-	575-3	7.9	49	11.1	Internal
2DL3-R78K0-TFC-800	90,800	-	-	208/230-3	31.6	169	44.2	Internal
2DL3-R78K0-TFD-800	90,800	-	-	460-3	13.8	85	19.3	Internal
2DL3-R78K0-TFE-800	90,800	-	-	575-3	13.2	67	18.5	Internal
2DA3-R89K0-TFC-800	103,000	-	-	208/230-3	32	169	44.8	Internal
2DA3-R89K0-TFD-800	103,000	-	-	460-3	14.1	85	19.4	Internal
2DA3-R89K0-TFE-800	103,000	-	-	575-3	13.3	67	18.5	Internal
3DA3-R10M0-TFC-800	123,900	3DE3	-	208/230-3	41	215	57.4	Internal
3DA3-R10M0-TFD-800	123,900	3DE3	-	460-3	20	106	28	Internal
3DA3-R10M0-TFE-800	123,900	3DE3	-	575-3	16.5	84	23	Internal
3DB3-R12M0-TFC-800	145,900	3DP3	-	208/230-3	43.6	215	61	Internal
3DB3-R12M0-TFD-800	145,900	3DP3	-	460-3	20	106	28	Internal
3DB3-R12M0-TFE-800	145,900	3DP3	-	575-3	16.5	84	23	Internal
3DS3-R17M0-TFC-800	194,000	3DT3	-	208/230-3	59.6	275	83.5	Internal
3DS3-R17M0-TFD-800	194,000	3DT3	-	460-3	29	138	40.6	Internal
3DS3-R17M0-TFE-800	194,000	3DT3	-	575-3	23.6	110	33	Internal
4DA3-R18M0-TSK-800	216,000	4DE3	-	208/230-3 460-3	66, 33	308, 154	93.2, 46.6	-
4DA3-R18M0-TSE-800	216,000	4DE3	-	575-3	24.7	135	34.6	-
4DA3-R18M0-FSD-800	216,000	4DE3	-	460-3	33.6	173	47	-
4DB3-R20M0-TSK-800	247,300	4DC3	-	208/230-3 460-3	65.6, 32.8	374, 187	91.8, 45.9	-
4DB3-R20M0-TSE-800	247,300	4DC3	-	575-3	26.5	135	37.1	-
4DB3-R20M0-FSD-800	247,300	4DC3	-	460-3	32.5	180	45.5	-
4DC3-R20M0-TSK-800	247,000	-	-	208/230-3 460-3	65.6, 32.8	374, 187	91.8, 45.9	SS module
4DH3-R22M0-TSK-800	273,000	4DK3	-	208/230-3 460-3	82.2, 41.1	428, 214	115, 57.5	-
4DH3-R22M0-TSE-800	273,000	4DK3	-	575-3	34.4	172	48.1	-
4DH3-R22M0-FSD-800	273,000	4DK3	-	460-3	41	206	56.8	-
4DJ3-R28M0-TSK-800	317,900	4DR3	-	208/230-3 460-3	94, 47	470, 235	131.6, 65.8	-
4DJ3-R28M0-TSE-800	317,900	4DR3	-	575-3	39	200	55	-
4DJ3-R28M0-FSD-800	317,900	4DR3	-	460-3	46	235	63	-
6DB3-R32M0-TSK-800	356,400	6DW3	6DY3	208/230-3 460-3	105, 47.8	565, 235	147, 51.8	-
6DB3-R32M0-TSE-800	356,400	6DW3	6DY3	575-3	40	230	56	-
6DB3-R32M0-FSD-800	356,400	6DW3	6DY3	460-3	50	260	70	-
6DH3-R35M0-TSK-800	387,200	6DK3	6DP3	208/230-3 460-3	107, 53.5	565, 283	150, 53.5	-
6DH3-R35M0-TSE-800	387,200	6DK3	6DP3	575-3	42.5	230	59.5	-
6DH3-R35M0-FSD-800	387,200	6DK3	6DP3	460-3	55	260	77	-
6DG3-R37M0-TSN-800	422,100	6DM3	6DN3	230-3 460-3	125, 62.5	594, 297	175, 87.5	-
6DG3-R37M0-TSE-800	422,100	6DM3	6DN3	575-3	46	245	64.4	-
6DG3-R37M0-FSD-800	422,100	6DM3	6DN3	460-3	66	315	92.4	-
6DG3-R37M0-FSU-800	422,100	6DM3	6DN3	200-3	135	650	189	-
6DJ3-R40M0-TSN-800	466,700	6DR3	6DS3	230-3 460-3	142, 71	594, 297	198, 99	-
6DJ3-R40M0-TSE-800	466,700	6DR3	6DS3	575-3	53.5	245	74.9	-
6DJ3-R40M0-FSD-800	466,700	6DR3	6DS3	460-3	70	315	98	-
6DJ3-R40M0-FSU-800	466,700	6DR3	6DS3	200-3	150	754	210	-
8DP1-R56M0-TSK-800	565,700	8DP1	8DP1	208/230-3 460-3	180, 90	1,070, 535	252, 126	-
8DP1-R56M0-TSE-800	565,700	8DP1	8DP1	575-3	75	405	105	-
8DP1-R56M0-FSD-800	565,700	8DP1	8DP1	460-3	91	510	127	-
8DS1-R67M0-TSK-800	644,200	8DS1	8DS1	208/230-3 460-3	224, 112	1,070, 535	314, 157	-
8DS1-R67M0-TSE-800	644,200	8DS1	8DS1	575-3	80	405	112	-
8DS1-R67M0-FSD-800	644,200	8DS1	8DS1	460-3	96.5	510	135	-

COPELAND

DISCUS® COMPRESSORS FOR COMMERCIAL REFRIGERATION

LOW TEMPERATURE - 2D, 3D, 4D, 6D

FOR USE WITH R404A

RATING CONDITIONS (°F): Evaporation: -25 / Condensing: 105 / Return Gas: 65 / Liquid: 105 / Ambient: 95



Order Number	BTU/hr	Model w/Unloading		Volts/Phase	Amperage Ratings			Motor Protector # (071-)
		1 Bank	2 Bank		RLA	LRA	MCC	
2DF3-F16KE-TFC-800	16,300	-	-	208/230-3	16.8	102	22.4	Internal
2DF3-F16KE-TFD-800	16,300	-	-	460-3	8	52	11	Internal
2DF3-F16KE-TFE-800	16,300	-	-	575-3	7	41	9	Internal
2DL3-F20KE-TFC-800	19,900	-	-	208/230-3	26	161	37	Internal
2DL3-F20KE-TFD-800	19,900	-	-	460-3	10.2	60	14.3	Internal
2DL3-F20KE-TFE-800	19,900	-	-	575-3	7.7	49	10.8	Internal
2DA3-F23KE-TFC-800	23,100	-	-	208/203-3	28.8	161	40.3	Internal
2DA3-F23KE-TFD-800	23,100	-	-	460-3	10.2	60	14.3	Internal
2DA3-F23KE-TFE-800	23,100	-	-	575-3	9.1	49	12.7	Internal
2DB3-F25KE-TFC-800	24,600	-	-	208/230-3	28.2	161	40	Internal
2DB3-F25KE-TFD-800	24,600	-	-	460-3	13.3	80	19	Internal
2DB3-F25KE-TFE-800	24,600	-	-	575-3	9.6	63	13	Internal
3DA3-F28KE-TFC-800	27,800	3DHH	-	208/230-3	30.3	150	37.5	Internal
3DA3-F28KE-TFD-800	27,800	3DHH	-	460-3	13.7	77	16.8	Internal
3DA3-F28KE-TFE-800	27,800	3DHH	-	575-3	10.5	62	14.7	Internal
3DB3-F33KE-TFC-800	33,100	3DJH	-	208/230-3	31.5	161	43	Internal
3DB3-F33KE-TFD-800	33,100	3DJH	-	460-3	16.1	83	22	Internal
3DB3-F33KE-TFE-800	33,100	3DJH	-	575-3	11	67	15.4	Internal
3DF3-F40KE-TFC-800	40,200	3DGH	-	208/230-3	39	215	51.8	Internal
3DF3-F40KE-TFD-800	40,200	3DGH	-	460-3	16.9	106	23.4	Internal
3DF3-F40KE-TFE-800	40,200	3DGH	-	575-3	16.5	84	22	Internal
3DS3-F46KE-TFC-800	45,700	3DRH	-	208/230-3	42	215	58	Internal
3DS3-F46KE-TFD-800	45,700	3DRH	-	460-3	18.6	106	26	Internal
3DS3-F46KE-TFE-800	45,700	3DRH	-	575-3	16.8	84	22.7	Internal
4DA3-F47KE-TSK-800	47,200	4DN3	-	208/230-3 460-3	45.2 22.6	220, 110	63.8, 31.9	SS Module
4DA3-F47KE-TSE-800	47,200	4DN3	-	575-3	17.5	106	24.3	SS Module
4DL3-F63KE-TSK-800	63,200	4DP3	-	208/230-3 460-3	52.6 26.3	278, 139	73.6, 36.8	SS Module
4DL3-F63KE-FSD-800	63,200	4DP3	-	460-3	24.5	136	34.3	SS Module
4DL3-F63KE-TSE-800	63,200	4DP3	-	575-3	20.9	113	29.3	SS Module
6DL3-F93KE-TSK-800	93,100	6DC3	6DD3	208/230-3 460-3	80.8 40.4	450, 225	113, 56.5	SS Module
6DL3-F93KE-FSD-800	93,100	6DC3	6DD3	460-3	41.6	218	58.2	SS Module
6DL3-F93KE-TSE-800	93,100	6DC3	6DD3	575-3	32.5	172	45.5	SS Module
6DT3-F11ME-TSK-800	105,000	6DE3	6DF3	208/230-3 460-3	95.6 47.8	470, 235	133.8, 66.9	SS Module
6DT3-F11ME-FSD-800	105,000	6DE3	6DF3	460-3	42.8	235	60	SS Module
6DT3-F11ME-TSE-800	105,000	6DE3	6DF3	575-3	39.6	200	55.4	SS Module

DISCUS® COMPRESSORS FOR COMMERCIAL REFRIGERATION

MEDIUM TEMPERATURE - 2D, 3D, 4D, 6D

FOR USE WITH R404A

RATING CONDITIONS (°F): Evaporation: 20 / Condensing: 120 / Return Gas: 65 / Liquid: 120 / Ambient: 95



Order Number	BTU/hr	Model w/Unloading		Volts/Phase	Amperage Ratings			Motor Protector # (071-)
		1 Bank	2 Bank		RLA	LRA	MCC	
2DC3-R53KE-TFC-800	34,600	-	-	208/230-3	22.3	120	31.2	Internal
2DC3-R53KE-TFD-800	34,600	-	-	460-3	10.4	60	14.6	Internal
2DC3-R53KE-TFE-800	34,600	-	-	575-3	7.7	49	10.8	Internal
2DD3-R63KE-TFC-800	41,900	-	-	208/230-3	22.3	120	31.2	Internal
2DD3-R63KE-TFD-800	41,900	-	-	460-3	10.5	60	14.7	Internal
2DD3-R63KE-TFE-800	41,900	-	-	575-3	7.9	49	11.1	Internal
2DL3-R78KE-TFC-800	51,800	-	-	208/230-3	31.6	169	44.2	Internal
2DL3-R78KE-TFD-800	51,800	-	-	460-3	13.8	85	19.4	Internal
2DL3-R78KE-TFE-800	51,800	-	-	575-3	13.2	67	18.5	Internal
2DA3-R89KE-TFC-800	60,100	-	-	208/230-3	32	169	44.8	Internal
2DA3-R89KE-TFD-800	60,100	-	-	460-3	14	85	20	Internal
2DA3-R89KE-TFE-800	60,100	-	-	575-3	13	67	19	Internal
3DA3-R10ME-TFC-800	71,200	3DEH	-	208/230-3	41	215	57	Internal
3DA3-R10ME-TFD-800	71,200	3DEH	-	460-3	20	106	28	Internal
3DA3-R10ME-TFE-800	71,200	3DEH	-	575-3	17	84	23	Internal
3DB3-R12ME-TFC-800	84,800	3DPH	-	208/230-3	44	215	61	Internal
3DB3-R12ME-TFD-800	84,800	3DPH	-	460-3	20	106	28	Internal
3DB3-R12ME-TFE-800	84,800	3DPH	-	575-3	17	84	23	Internal
3DF3-R15ME-TFC-800	104,600	3DKH	-	208/230-3	48	275	67	Internal
3DF3-R15ME-TFD-800	104,600	3DKH	-	460-3	23.6	138	33	Internal
3DS3-R17ME-TFC-800	116,000	3DTH	-	208/230-3	59.6	275	83.5	Internal
3DS3-R17ME-TFD-800	116,000	3DTH	-	460-3	29	138	40.6	Internal
3DS3-R17ME-TFE-800	116,000	3DTH	-	575-3	23.6	110	33	Internal
4DA3-R18ME-TSK-800	120,000	4DE3	-	208/230-3	66	308	82.2	SS Module
4DA3-R18ME-TSK-800	120,000	4DE3	-	460-3	33	154	41.1	SS Module
4DA3-R18ME-FSD-800	120,000	4DE3	-	460-3	33.6	173	45	SS Module
4DA3-R18ME-TSE-800	120,000	4DE3	-	575-3	24.7	135	33.3	SS Module
4DH3-R22ME-TSK-800	156,000	4DK3	-	208/230-3	82.2	428	104.2	SS Module
4DH3-R22ME-FSD-800	156,000	4DK3	-	460-3	40.6	206	56	SS Module
4DH3-R22ME-TSK-800	156,000	4DK3	-	460-3	41.1	214	52.1	SS Module
4DH3-R22ME-TSE-800	156,000	4DK3	-	575-3	34.4	172	46.6	SS Module
4DJ3-R28ME-TSK-800	187,000	4DR3	-	208/230-3	94	470	117.6	SS Module
4DJ3-R28ME-FSD-800	187,000	4DR3	-	460-3	45	235	60.5	SS Module
4DJ3-R28ME-TSK-800	187,000	4DR3	-	460-3	47	235	58.8	SS Module
4DJ3-R28ME-TSE-800	187,000	4DR3	-	575-3	39.3	200	54	SS Module
6DH3-R35ME-TSK-800	236,000	4DK3	6DP3	208/230-3	107	565	150	SS Module
6DH3-R35ME-FSD-800	236,000	4DK3	6DP3	460-3	55	260	75	SS Module
6DH3-R35ME-TSK-800	236,000	6DK3	6DP3	460-3	53.5	283	75	SS Module
6DH3-R35ME-TSE-800	236,000	4DK3	6DP3	575-3	42.5	230	57	SS Module
6DG3-R37ME-FSU-800	257,000	-	-	200-3	135	650	185	SS Module
6DG3-R37ME-TSN-800	257,000	-	-	230-3	125	594	153.6	SS Module
6DG3-R37ME-FSD-800	257,000	-	-	460-3	66	315	92.4	SS Module
6DG3-R37ME-TSN-800	257,000	6DM3	6DN3	460-3	62.5	297	76.8	SS Module
6DG3-R37ME-TSE-800	257,000	-	-	575-3	46	245	64.4	SS Module
6DJ3-R40ME-FSU-800	278,000	6DR3	6DS3	200-3	150	754	208	SS Module
6DJ3-R40ME-FSD-800	278,000	6DR3	6DS3	460-3	70	315	95	SS Module
6DJ3-R40ME-TSN-800	278,000	6DR3	6DS3	460-3	71	297	79.4	SS Module
6DJ3-R40ME-TSE-800	278,000	6DR3	6DS3	575-3	53.5	245	72	SS Module

COPELAND

DISCUS® COMPRESSORS FOR COMMERCIAL REFRIGERATION

HIGH / MEDIUM TEMPERATURE - 2D, 3D, 4D, 6D

FOR USE WITH R134A



RATING CONDITIONS HIGH (°F): Evaporation: 45 / Condensing: 130 / Return Gas: 65 / Liquid: 130 / Ambient: 95
 MEDIUM (°F) Evaporation: 20 / Condensing: 120 / Return Gas: 65 / Liquid: 120 / Ambient: 95

Order Number	Conditions		Model w/Unloading		Amperage Ratings				Motor Protector # (071-)	
	BTU/hr - High	BTU/hr - Med	1 Bank	2 Bank	Volts/Phase	RLA	LRA	MCC		PWLRA
2DF3-F16KE-TFC-800	47,700	29,000	-	-	208/230-3	16.8	102	23.6	-	Internal
2DF3-F16KE-TFD-800	47,700	29,000	-	-	460-3	8.1	52	11.4	-	Internal
2DF3-F16KE-TFE-800	47,700	29,000	-	-	575-3	6.7	41	9.4	-	Internal
2DA3-F23KE-TFC-800	59,800	36,300	-	-	208/230-3	28.8	161	40.3	-	Internal
2DA3-F23KE-TFD-800	59,800	36,300	-	-	460-3	10.2	60	14.3	-	Internal
2DA3-F23KE-TFE-800	59,800	36,300	-	-	575-3	9.1	49	12.7	-	Internal
2DB3-F25KE-TFC-800	62,800	38,100	-	-	208/230-3	28.2	161	39.5	-	Internal
2DB3-F25KE-TFD-800	62,800	38,100	-	-	460-3	13.3	80	18.6	-	Internal
2DB3-F25KE-TFE-800	62,800	38,100	-	-	575-3	9.6	63	13.4	-	Internal
3DA3-F28KE-TFC-800	72,000	44,000	-	-	208/230-3	30.3	150	42.4	-	Internal
3DA3-F28KE-TFD-800	72,000	44,000	-	-	460-3	13.7	77	19.2	-	Internal
3DA3-F28KE-TFE-800	72,000	44,000	-	-	575-3	10.5	62	14.7	-	Internal
3DB3-F33KE-TFC-800	84,800	51,600	-	-	208/230-3	31.5	161	44	-	Internal
3DB3-F33KE-TFD-800	84,800	51,600	-	-	460-3	16.1	83	22.5	-	Internal
3DB3-F33KE-TFE-800	84,800	51,600	-	-	575-3	11	67	15.4	-	Internal
3DF3-F40KE-TFC-800	99,400	60,900	-	-	208/230-3	39	215	54.6	-	Internal
3DF3-F40KE-TFD-800	99,400	60,900	-	-	460-3	16.9	106	23.6	-	Internal
3DF3-F40KE-TFE-800	99,400	60,900	-	-	575-3	16.5	84	23	-	Internal
3DS3-F46KE-TFC-800	110,400	67,100	-	-	208/230-3	42	215	58.8	-	Internal
3DS3-F46KE-TFD-800	110,400	67,100	-	-	460-3	18.6	106	26	-	Internal
3DS3-F46KE-TFE-800	110,400	67,100	-	-	575-3	16.8	84	23.5	-	Internal
4DH3-R16ME-TSK-800	156,000	95,600	-	-	460-3	-	-	-	-	SS Module
4DH3-R16ME-TSK-800	156,000	95,600	4DK3	-	208/230-3	58, 29	278, 139	81, 40.5	-	SS Module
4DH3-R16ME-TSE-800	156,000	95,600	4DK3	-	575-3	24.3	113	34	-	SS Module
4DJ3-R19ME-TSK-800	186,400	114,100	4DR3	-	208/230-3	66, 33	346, 173	92.4, 46.2	208	SS Module
4DJ3-R19ME-TSK-800	186,400	114,100	-	-	460-3	66, 33	346, 173	92.4, 46.2	-	SS Module
4DJ3-R19ME-TSE-800	186,400	114,100	4DR3	-	575-3	30	135	42	-	SS Module
6DH3-R23ME-TSE-800	234,000	143,000	6DK3	6DP3	575-3	30	135	42	-	SS Module

DISCUS® COMPRESSORS FOR AIR CONDITIONING

2D, 3D, 4D, 6D, 8D

UNLOADER FACTORS

Model	Factors Full Load			Factors One Bank Unloading			Factors Two Bank Unloading		
	HT	MT	LT	HT	MT	LT	HT	MT	LT
4D	1.00/1.01/1.01	1.00/1.03/1.03	1.00/1.02/1.02	.50/.56/0.6	.50/.56/.60	.50/.56/.74	-	-	-
6D	1.00/1.01/1.03	1.00/1.03/1.04	1.00/1.02/1.02	.70/.70/.75	.70/.71/.77	.70/.72/.84	.36/.40/.55	.36/.42/.60	.36/.43/.72
8D	-	1.00/1.00/1.00	-	-	.78/.78/.80	-	-	.78/.78/.80	-

OIL CHARGES

Model Family	Standard		Deep Sump	
	Initial	Recharge	Initial	Recharge
2D	80	70	110	95
3D	144	128	190	170
4DA3-R12ME	140	130	-	-
4DL3-F63KE	135	120	250	235
4DA3-R18ME	135	120	250	235
4DT3-F76KE	130	120	245	235
4DH3-R22ME	130	120	245	235
4DJ3-R28ME	140	125	255	240
6D	140	130	255	245
6DT3-F11M0	255	245	255	245
6DJ3-R40M0	255	245	255	245
8D	255	245	-	-

CONTOUR SCREW COMPRESSORS

LOW TEMPERATURE

FOR USE WITH R404A



RATING CONDITIONS (°F): Evaporation: -25 / Condensing: 105 / Return Gas: 65 / Liquid: 37 / Ambient: 95

Order Number	Conditions			Amperage Ratings			Service Valves		L x W x H (in)	Ship Weight (lbs)
	BTU/hr	EER	Volts/3 Phase	RLA	LRA	MCC	Discharge	Suction		
SHL1-2000-TWK	101,700	4.5	208-230/460	81/41	492/246	114/57	1 5/8	2 1/8	29.8 x 17.05 x 16.93	366
SHL1-2000-TWE	101,700	4.5	575	-	-	-	1 5/8	2 1/8	29.8 x 17.05 x 16.93	366
SHL1-2500-TWK	127,100	4.8	208-230/460	85/42	436/218	120/60	1 5/8	2 1/8	29.8 x 17.05 x 16.93	374
SHL1-2500-TWE	127,100	4.5	575	-	-	-	1 5/8	2 1/8	29.8 x 17.05 x 16.93	374
SHL1-3000-TWK	154,500	4.9	208-230/460	104/52	532/266	146/73	1 5/8	2 1/8	29.8 x 17.05 x 16.93	392
SHL1-3000-TWE	154,500	4.9	575	-	-	-	1 5/8	2 1/8	29.8 x 17.05 x 16.93	392
SHL1-4000-FWC	184,400	4.9	460	136	655	228	1 5/8	2 1/8	35.98 x 20 x 17.13	515
SHL1-4000-FWD	184,400	4.9	208-230	65	313	109	1 5/8	2 1/8	35.98 x 20 x 17.13	515
SHL1-4000-TWE	184,400	4.9	575	-	-	-	1 5/8	2 1/8	35.98 x 20 x 17.13	515
SHL1-5000-FWC	224,000	5.1	208-230	165	743	240	1 5/8	2 1/8	35.98 x 20 x 17.13	524
SHL1-5000-FWD	224,000	5.1	460	79	355	115	1 5/8	2 1/8	35.98 x 20 x 17.13	524
SHL1-5000-TWE	224,000	5.1	575	-	-	-	1 5/8	2 1/8	35.98 x 20 x 17.13	524
SHL1-6000-FWC	252,800	4.9	208-230	186	939	247	2 1/8	3 1/8	40.2 x 20.59 x 16.62	653
SHL1-6000-FWD	252,800	4.9	460	89	449	118	2 1/8	3 1/8	40.2 x 20.59 x 16.62	653
SHL1-6000-TWE	252,800	4.9	575	-	-	-	2 1/8	3 1/8	40.2 x 20.59 x 16.62	653
SHL1-7000-FWC	298,800	5.1	208-230	215	1,015	299	2 1/8	3 1/8	40.2 x 20.59 x 16.62	682
SHL1-7000-FWD	298,800	5.1	460	103	485	143	2 1/8	3 1/8	40.2 x 20.59 x 16.62	682
SHL1-7000-TWE	298,800	5.1	575	-	-	-	2 1/8	3 1/8	40.2 x 20.59 x 16.62	682
SHL1-7500-FWC	339,700	5.1	208-230	249	1,224	314	2 1/8	3 1/8	41.06 x 20.59 x 16.62	717
SHL1-7500-FWD	339,700	5.1	460	119	585	150	2 1/8	3 1/8	41.06 x 20.59 x 16.62	717
SHL1-7500-TWE	339,700	5.1	575	-	-	-	2 1/8	3 1/8	41.06 x 20.59 x 16.62	717

MEDIUM TEMPERATURE

FOR USE WITH R404A

RATING CONDITIONS (°F): Evaporation: 20 / Condensing: 120 / Return Gas: 65 / Liquid: 120 / Ambient: 95

Order Number	Conditions			Amperage Ratings			Service Valves		L x W x H (in)	Ship Weight (lbs)
	BTU/hr	EER	Volts/3 Phase	RLA	LRA	MCC	Discharge	Suction		
SHM1-3000-TWK	166,400	5.7	208-230/460	92/46	436/218	130/65	1 5/8	2 1/8	29.8 x 17.05 x 16.93	375
SHM1-3000-TWE	166,400	5.7	575	-	-	-	1 5/8	2 1/8	29.8 x 17.05 x 16.93	375
SHM1-3500-TWK	208,000	6	208-230/460	121/60	532/266	182/91	1 5/8	2 1/8	29.8 x 17.32 x 16.93	385
SHM1-3500-TWE	208,000	6	575	-	-	-	1 5/8	2 1/8	29.8 x 17.32 x 16.93	385
SHM1-4000-TWK	245,400	6	208-230/460	130/65	622/311	285/124	1 5/8	2 1/8	29.8 x 17.32 x 16.93	400
SHM1-4000-TWE	245,400	6	575	-	-	-	1 5/8	2 1/8	29.8 x 17.32 x 16.93	400
SHM1-5000-FWC	300,200	6.2	208-230	165	743	258	1 5/8	2 1/8	35.98 x 20 x 17.13	524
SHM1-5000-FWD	300,200	6.2	460	79	355	124	1 5/8	2 1/8	35.98 x 20 x 17.13	524
SHM1-5000-TWE	300,200	6.2	575	-	-	-	1 5/8	2 1/8	35.98 x 20 x 17.13	524
SHM1-6000-FWC	353,800	6.2	208-230	205	939	334	1 5/8	2 1/8	35.98 x 20 x 17.13	541
SHM1-6000-FWD	353,800	6.2	460	98	449	160	1 5/8	2 1/8	35.98 x 20 x 17.13	541
SHM1-6000-TWE	353,800	6.2	575	-	-	-	1 5/8	2 1/8	35.98 x 20 x 17.13	541
SHM1-7000-FWC	411,700	6.2	208-230	251	1,015	295	2 1/8	3 1/8	40.2 x 20.59 x 16.62	671
SHM1-7000-FWD	411,700	6.2	460	120	485	141	2 1/8	3 1/8	40.2 x 20.59 x 16.62	671
SHM1-7000-TWE	411,700	6.2	575	-	-	-	2 1/8	3 1/8	40.2 x 20.59 x 16.62	671
SHM1-8000-FWC	471,800	6.2	208-230	263	1,224	343	2 1/8	3 1/8	40.2 x 20.59 x 16.62	691
SHM1-8000-FWD	471,800	6.2	460	126	585	164	2 1/8	3 1/8	40.2 x 20.59 x 16.62	691
SHM1-8000-TWE	471,800	6.2	575	-	-	-	2 1/8	3 1/8	40.2 x 20.59 x 16.62	691
SHM1-9000-FWC	536,100	6.2	208-230	305	1,435	358	2 1/8	3 1/8	43.03 x 20.59 x 16.62	739
SHM1-9000-FWD	536,100	6.2	460	146	686	171	2 1/8	3 1/8	43.03 x 20.59 x 16.62	739
SHM1-9000-TWE	536,100	6.2	575	-	-	-	2 1/8	3 1/8	43.03 x 20.59 x 16.62	739

COPELAND

CONTOUR SCREW COMPRESSORS

MEDIUM TEMPERATURE

FOR USE WITH R22



RATING CONDITIONS (°F): Evaporation: 20 / Condensing: 120 / Return Gas: 65 / Liquid: 120 / Ambient: 95

Order Number	Conditions			Amperage Ratings			Service Valves		L x W x H (in)	Ship Weight (lbs)
	BTU/hr	EER	Volts/3 Phase	RLA	LRA	MCC	Discharge	Suction		
SHM2-3000-TWK	178,700	6.7	208-230/460	92/46	436/218	106/53	1 5/8	2 1/8	29.8 x 17.05 x 16.93	375
SHM2-3000-TWE	178,700	6.7	575	-	-	-	1 5/8	2 1/8	29.8 x 17.05 x 16.93	375
SHM2-3500-TWK	223,400	7.1	208-230	121/60	532/266	138/69	1 5/8	2 1/8	29.8 x 17.32 x 16.93	385
SHM2-3500-TWE	223,400	7.1	575	-	-	-	1 5/8	2 1/8	29.8 x 17.32 x 16.93	385
SHM2-4000-TWK	263,500	7.1	208-230	130/65	622/311	156/78	1 5/8	2 1/8	29.8 x 17.32 x 16.93	400
SHM2-4000-TWE	263,500	7.1	575	-	-	-	1 5/8	2 1/8	29.8 x 17.32 x 16.93	400
SHM1-5000-FWC	326,900	7.7	208-230	165	743	215	1 5/8	2 1/8	35.98 x 20 x 17.13	524
SHM1-5000-FWD	326,900	7.7	460	79	355	103.6	1 5/8	2 1/8	35.98 x 20 x 17.13	524
SHM1-5000-TWE	326,900	7.7	575	-	-	-	1 5/8	2 1/8	35.98 x 20 x 17.13	524
SHM1-6000-FWC	384,600	7.7	208-230	205	939	278	1 5/8	2 1/8	35.98 x 20 x 17.13	541
SHM1-6000-FWD	384,600	7.7	460	98	449	133	1 5/8	2 1/8	35.98 x 20 x 17.13	541
SHM1-6000-TWE	384,600	7.7	575	-	-	-	1 5/8	2 1/8	35.98 x 20 x 17.13	541
SHM1-7000-FWC	436,400	7.5	208-230	251	1,015	280	2 1/8	3 1/8	40.2 x 20.59 x 16.62	671
SHM1-7000-FWD	436,400	7.5	460	120	485	134	2 1/8	3 1/8	40.2 x 20.59 x 16.62	671
SHM1-7000-TWE	436,400	7.5	575	-	-	-	2 1/8	3 1/8	40.2 x 20.59 x 16.62	671
SHM1-8000-FWC	499,800	7.5	208-230	263	1,224	293	2 1/8	3 1/8	40.2 x 20.59 x 16.62	691
SHM1-8000-FWD	499,800	7.5	460	126	585	140	2 1/8	3 1/8	40.2 x 20.59 x 16.62	691
SHM1-8000-TWE	499,800	7.5	575	-	-	-	2 1/8	3 1/8	40.2 x 20.59 x 16.62	691
SHM1-9000-FWC	568,000	7.5	208-230	305	1,435	341	2 1/8	3 1/8	43.03 x 20.59 x 16.62	739
SHM1-9000-FWD	568,000	7.5	460	146	686	163	2 1/8	3 1/8	43.03 x 20.59 x 16.62	739
SHM1-9000-TWE	568,000	7.5	575	-	-	-	2 1/8	3 1/8	43.03 x 20.59 x 16.62	739

CONTOUR SCREW COMPRESSORS

HIGH TEMPERATURE

FOR USE WITH R22

RATING CONDITIONS (°F): Evaporation: 45 / Condensing: 130 / Return Gas: 65 / Liquid: 115 / Ambient: 95

Order Number	Conditions			Amperage Ratings			Service Valves		L x W x H (in)	Ship Weight (lbs)
	BTU/hr	EER	Volts/3 Phase	RLA	LRA	MCC	Discharge	Suction		
SCH2-5000-FWC	533,000	10.3	208-230	165	743	215	1 5/8	2 1/8	55.51 x 20 x 17.05	671
SCH2-5000-FWD	533,000	10.3	460	79	355	104	1 5/8	2 1/8	55.51 x 20 x 17.05	671
SCH2-5000-TWE	533,000	10.3	575	-	-	-	1 5/8	2 1/8	55.51 x 20 x 17.05	671
SCH2-6000-FWC	628,000	10.3	208-230	205	939	278	1 5/8	2 1/8	55.51 x 20 x 17.05	693
SCH2-6000-FWD	628,000	10.3	460	98	449	133	1 5/8	2 1/8	55.51 x 20 x 17.05	693
SCH2-6000-TWE	628,000	10.3	575	-	-	-	1 5/8	2 1/8	55.51 x 20 x 17.05	693
SCH2-7000-FWC	727,000	9.9	208-230	251	1,015	280	2 1/8	3 1/8	52.87 x 22.21 x 23.58	1058
SCH2-7000-FWD	727,000	9.9	460	120	485	134	2 1/8	3 1/8	52.87 x 22.21 x 23.58	1058
SCH2-7000-TWE	727,000	9.9	575	-	-	-	2 1/8	3 1/8	52.87 x 22.21 x 23.58	1058
SCH2-8000-FWC	833,000	9.9	208-230	263	1,224	293	2 1/8	3 1/8	52.87 x 22.21 x 23.58	1076
SCH2-8000-FWD	833,000	9.9	460	126	585	140	2 1/8	3 1/8	52.87 x 22.21 x 23.58	1076
SCH2-8000-TWE	833,000	9.9	575	-	-	-	2 1/8	3 1/8	52.87 x 22.21 x 23.58	1076
SCH2-9000-FWC	946,000	9.9	208-230	305	1,435	341	2 1/8	3 1/8	52.87 x 22.21 x 23.58	1091
SCH2-9000-FWD	946,000	9.9	460	146	686	163	2 1/8	3 1/8	52.87 x 22.21 x 23.58	1091
SCH2-9000-TWE	946,000	9.9	575	-	-	-	2 1/8	3 1/8	52.87 x 22.21 x 23.58	1091

TL200, TL210 DC Condensing Units

Ideal for mobile & off power grid applications where 12 or 24vdc is available.

- Danfoss BD compressor
- 12/24VDC (Optional 10-45 VDC)
- Optional AC/DC 12 & 24VDC and 100-240 50/60 Hz
- Low voltage protection
- Variable speed compressor
- Designed for mobile and off camber operation
- 7 1/2"H x 11"L x 9"W powder coated base
- 1/4" suction line
- 3/16" liquid line
- Fan cooled condenser



TL200 Condensing Unit BD35F

	Rpm/F	-20	-13	-10	0	10	20	30	40	45	50	Ohms
BTU	2000	74	101	113	159	214	280	361	458	514	575	0
	2500	95	127	142	199	268	351	452	573	643		277
	3000	104	138	155	222	307	410	535	681			692
	3500	119	153	171	248	349	473	619				1523
	Rpm/F	-20	-13	-10	0	10	20	30	40	45	50	Ohms
AMPS	2000	1.83	2.20	2.34	2.81	3.25	3.68	4.13	4.61	4.88	5.17	0
	2500	2.34	2.82	3.01	3.62	4.19	4.73	5.29	5.87	6.19		277
	3000	2.85	3.25	3.43	4.10	4.82	5.56	6.30	7.00			692
	3500	3.38	3.82	4.03	4.79	5.62	6.49	7.39				1523

TL210 Condensing Unit BD50F

	Rpm/F	-20	-13	-10	0	10	20	30	40	45	50	Ohms
BTU	2000	95	126	142	201	273	359	458	570	632	697	0
	2500	119	157	176	247	335	442	570	723	809		277
	3000	142	189	211	296	401	529	682	863			692
	3500	167	220	245	342	464	612	790				1523
	Rpm/F	-20	-13	-10	0	10	20	30	40	45	50	Ohms
AMPS	2000	2.52	2.93	3.11	3.74	4.42	5.14	5.89	6.69	7.11	7.53	0
	2500	3.10	3.65	3.89	4.69	5.50	6.34	7.18	8.05	8.49		277
	3000	3.76	4.40	4.67	5.61	6.57	7.55	8.56	9.58			692
	3500	4.44	5.12	5.42	6.48	7.63	8.85	10.15				1523

TL200 DC
TL200 ACDC
TL210 DC
TL210 ACDC
THERMOSTAT +
EVAPORATOR PLATE
EVAPORATOR MEDIUM
EVAPORATOR LARGE
CAPILLARY.

DC condensing unit BD35F
 AC/DC condensing unit BD35F
 DC condensing unit BD50F
 AC/DC condensing unit BD50F
 Thermostat with housing(sense plate)
 10"x16" roll bond evaporator plate
 12"x32" roll bond evaporator plate
 15"x36" roll bond evaporator plate
 11.5 ft 0.026 hard drawn cap tube

Wire gauge

Awg	12 vdc	24vdc
12	13 ft	26 ft
10	19 ft	39 ft
8	32 ft	65 ft

KEEPRITE REFRIGERATION

KMK SERIES TUCK-AWAY UNIT COOLERS

HIGH AND MEDIUM TEMPERATURE APPLICATIONS

RATING CONDITIONS HIGH (°F): Evaporation: 45 / Condensing: 130 / Return Gas: 65 / Liquid: 130 / Ambient: 95
 MEDIUM (°F): Evaporation: 45 / Condensing: 130 / Return Gas: 65 / Liquid: 115 / Ambient: 95



Attractive low silhouette allows maximum usage of refrigerated space. Lightweight cabinet made of smooth aluminum and corrosion proof hardware. Protective coating on all models. Generously sized coils provide balance with available condensing units and compressors. Rear air discharge reduces door sweating. Motors thermally protected and life lubricated. Quick-connect moisture-proof wiring harness. Light molded plastic fan blades ensure low noise level and optimum air circulation. Internally equalized expansion valve mounts inside of cabinet. Removable drain pan with self-retained fasteners.

Knockouts for electrical connections conveniently located in cabinet. Opening at the back for refrigeration connections. Durable high density electric heaters for a fast and complete coil defrosting. (LK models only). Electrical junction box with terminal plate. (LK models only.) R134a, R404A, R507, R22, R407A, R407B, R407C.

AIR DEFROST - 115V

Order Number	BTU/hr @ 10°F TD @ 20°F SST	Volts/Phase	Fan Qty	CFM	Connections (in)		W x D x H (in)	Ship Weight (lbs)
					Suction	Liquid		
KMK100	1,000	115-1-60	1	160	3/8	1/2	16 1/2 x 14 1/2 x 4 1/2	13
KMK130	1,300	115-1-60	2	190	3/8	1/2	19 1/4 x 14 1/2 x 4 1/2	15
KMK170	1,700	115-1-60	2	230	1/2	1/2	24 x 15 1/2 x 4 1/2	18
KMK230	2,300	115-1-60	3	340	1/2	1/2	31 1/2 x 15 1/2 x 4 1/2	27
KMK300	3,000	115-1-60	4	440	1/2	1/2	40 x 15 1/2 x 4 1/2	32
KMK430	4,300	115-1-60	3	480	1/2	1/2	46 1/4 x 16 1/2 x 5 3/4	43
KMK510	5,100	115-1-60	3	530	1/2	1/2	55 1/4 x 16 1/2 x 5 3/4	50

KLK SERIES TUCK-AWAY UNIT COOLERS

LOW TEMPERATURE APPLICATIONS

RATING CONDITIONS HIGH (°F): Evaporation: 45 / Condensing: 130 / Return Gas: 65 / Liquid: 130 / Ambient: 95
 MEDIUM (°F): Evaporation: 45 / Condensing: 130 / Return Gas: 65 / Liquid: 115 / Ambient: 95



ELECTRIC DEFROST - 115V

Order Number	BTU/hr @ 10°F TD @ -20°F SST	Volts/Phase	Fan Qty	CFM	Connections (in)		W x D x H (in)	Ship Weight (lbs)
					Suction	Liquid		
KLK90	900	115-1-60	1	160	3/8	1/2	16 1/2 x 14 1/2 x 4 1/2	14
KLK120	1,200	115-1-60	2	190	3/8	1/2	19 1/4 x 14 1/2 x 4 1/2	16
KLK160	1,600	115-1-60	2	230	3/8	1/2	24 x 15 1/2 x 4 1/2	19

KTL SERIES TWO-WAY LOW PROFILE UNIT COOLERS

MEDIUM TEMPERATURE APPLICATIONS

Reach-in and walk-in cooler flexibility is provided with this flush ceiling mounted unit cooler. Designed with dual refrigeration coils and two-way air distribution. This effectively reduces air velocities and minimizes product dehydration. Air defrost units feature cleanable textured aluminum cabinets with stainless steel and nylon fasteners, corrosion resistant fan guards and permanently lubricated fan motors. Electric defrost units feature stainless steel defrost heaters and also include a thermodisc-type fan delay and defrost termination thermostat.



AIR DEFROST - 115V

Order Number	BTU/hr @ 10°F TD @ 20°F SST	CFM	Fan Qty	Connections (in)		H x W x D (in)	Ship Weight (lbs)
				TXV	Suction		
KTL010MAS1A	950	130	1	1/2 Flare	3/8 ODS	4 1/2 x 18 7/8 x 14 1/8	12
KTL015MAS1A	1,450	180	1	1/2 Flare	3/8 ODS	4 1/2 x 18 7/8 x 14 1/8	13
KTL020MAS1A	2,000	237	1	1/2 Flare	3/8 ODS	5 1/2 x 18 7/8 x 14 1/8	14
KTL025MAS1A	2,500	270	1	1/2 Flare	3/8 ODS	5 1/2 x 18 7/8 x 14 1/8	15
KTL032MAS1A	3,200	440	1	1/2 ODS	3/8 ODS	5 1/2 x 21 7/8 x 19 1/8	19
KTL038MAS1A	3,800	440	1	1/2 ODS	3/8 ODS	5 1/2 x 21 7/8 x 19 1/8	20
KTL060MAS1A	6,000	928	2	1/2 ODS	1/2 ODS	7 5/8 x 42 3/4 x 23 3/4	38
KTL077MAS1A	7,700	807	2	1/2 ODS	5/8 ODS	7 5/8 x 42 3/4 x 23 3/4	40
KTL115MAS1A	11,500	1,242	3	1/2 ODS	5/8 ODS	7 5/8 x 59 1/2 x 23 3/4	60

KTL SERIES TWO-WAY LOW PROFILE UNIT COOLERS

LOW TEMPERATURE APPLICATIONS



ELECTRIC DEFROST - 115V

Order Number	@ -20°F SST	CFM	Fan Qty	Connections (in)		H x W x D (in)	Ship Weight (lbs)
				TXV	Suction		
KTL009LES1A	850	130	1	1/2 Flare	3/8 ODS	4 1/2 x 18 7/8 x 14 1/8	12
KTL013LES1A	1,250	180	1	1/2 Flare	3/8 ODS	4 1/2 x 18 7/8 x 14 1/8	13
KTL017LES1A	1,700	237	1	1/2 ODS	3/8 ODS	5 1/2 x 18 7/8 x 14 1/8	14
KTL021LES1A	2,100	270	1	1/2 ODS	3/8 ODS	5 1/2 x 18 7/8 x 14 1/8	15
KTL028LES1A	2,800	440	1	1/2 ODS	1/2 ODS	5 1/2 x 21 7/8 x 19 1/8	19
KTL033LES1A	3,300	440	1	1/2 ODS	1/2 ODS	5 1/2 x 21 7/8 x 19 1/8	20
KTL052LES1A	5,200	928	2	1/2 ODS	5/8 ODS	7 5/8 x 42 3/4 x 23 3/4	38
KTL066LES1A	6,600	807	2	1/2 ODS	5/8 ODS	7 5/8 x 42 3/4 x 23 3/4	40
KTL099LES1A	9,900	1,242	3	1/2 ODS	7/8 ODS	7 5/8 x 59 1/2 x 23 3/4	60

LOW TEMPERATURE

ELECTRIC DEFROST - 208-230V

Order Number	@ -20°F SST	CFM	Fan Qty	Connections (in)		H x W x D (in)	Ship Weight (lbs)
				TXV	Suction		
KTL009LES2A	850	130	1	1/2 Flare	3/8 ODS	4 1/2 x 18 7/8 x 14 1/8	12
KTL013LES2A	1,250	180	1	1/2 Flare	3/8 ODS	4 1/2 x 18 7/8 x 14 1/8	13
KTL017LES2A	1,700	237	1	1/2 ODS	3/8 ODS	5 1/2 x 18 7/8 x 14 1/8	14
KTL021LES2A	2,100	270	1	1/2 ODS	3/8 ODS	5 1/2 x 18 7/8 x 14 1/8	15
KTL028LES2A	2,800	440	1	1/2 ODS	1/2 ODS	5 1/2 x 21 7/8 x 19 1/8	19
KTL033LES2A	3,300	440	1	1/2 ODS	1/2 ODS	5 1/2 x 21 7/8 x 19 1/8	20
KTL052LES2A	5,200	928	2	1/2 ODS	5/8 ODS	7 5/8 x 42 3/4 x 23 3/4	38
KTL066LES2A	6,600	807	2	1/2 ODS	5/8 ODS	7 5/8 x 42 3/4 x 23 3/4	40
KTL099LES2A	9,900	1,242	3	1/2 ODS	7/8 ODS	7 5/8 x 59 1/2 x 23 3/4	60

SERVICE PARTS

Model		Fan Motor		Fan Blade	Fan Guard	Defrost Heaters * (ME & LE Models)	Drain Pan
Medium Tem	Low Temp	115/1/60	208-230/1/60				
KTL010M	KTL009L	1069592	1069593	1043870-001	1043293	1070468-001	1043868-001
KTL015M	KTL013L	1069592	1069593	1043870-002	1043293	1069861-001	1043868-001
KTL020M	KTL017L	1069592	1069593	1043870-003	1043293	1069861-001	1043868-001
KTL025M	KTL021L	1069592	1069593	1043870-004	1043293	1069861-001	1043868-001
KTL032M	KTL028L	1069592	1069593	1043870-005	1043294	1069861-002	1043868-001
KTL038M	KTL033L	1069592	1069593	1043870-005	1043294	1070468-002	1043868-001
KTL060M	KTL052L	1069592	1069593	1043870-005	1043294	1069861-002	1070010-001
KTL077M	KTL066L	1069592	1069593	1043870-005	1043294	1069861-003	1070010-001
KTL115M	KTL099L	1069592	1069593	1043870-006	1043294	1069861-004	1070010-001

Air Defrost (060 and up) Terminal Board - 104825

Electric Defrost (052 and up) Terminal Board - 1070060

Electric Defrost Fan Delay / Defrost Termination Control - 1043725

KEEPRITE REFRIGERATION

KTM SERIES TWO WAY MEDIUM PROFILE UNIT COOLERS

Heavy gauge textured aluminum cabinet construction resists scratches / corrosion and minimizes weight for shipment, installation and service. Capacity up to 29,500 BTU/hr nominal. Dual refrigeration coils with two-way air distribution reduces air velocities to minimize product dehydration. Air enters through fan and discharges two ways out of each coil side. Low height compact size usable storage space.



MEDIUM TEMPERATURE MODELS

AIR DEFROST - 115V OR 230V

Order Number	Capacity @ 25°F SST/hr	CFM	Fan Qty	Connections (in)		W x D x H (in)	Ship Weight (lbs)
				Suction (OD)	Inlet Size		
KTM-115-MA	11,500	2,020	2	7/8	1/2	67 1/2 x 26 1/2 x 8 2/3	110
KTM-139-MA	13,900	1,900	2	7/8	1/2	67 1/2 x 26 1/2 x 8 2/3	116
KTM-172-MA	17,200	3,030	3	7/8	1/2	93 1/2 x 26 1/2 x 8 2/3	150
KTM-208-MA	20,800	2,850	3	1 1/8	1/2	93 1/2 x 26 1/2 x 8 2/3	157
KTM-236-MA	23,600	3,700	4	1 1/8	1/2	93 1/2 x 26 1/2 x 8 2/3	164
KTM-260-MA	26,000	3,780	4	1 1/8	7/8	113 1/2 x 26 1/2 x 8 2/3	191
KTM-295-MA	29,500	4,630	5	1 1/8	7/8	113 1/2 x 26 1/2 x 8 2/3	198

LOW TEMPERATURE MODELS

ELECTRIC DEFROST - 230V

Order Number	Capacity @ 20°F SST/hr	CFM	Fan Qty	Connections (in)		W x D x H (in)	Ship Weight (lbs)
				Suction (OD)	Inlet Size		
KTM-105-LE	10,500	2,020	2	7/8	1/2	67 1/2 x 26 1/2 x 8 2/3	110
KTM-124-LE	12,400	1,900	2	1 1/8	1/2	67 1/2 x 26 1/2 x 8 2/3	116
KTM-153-LE	15,300	3,030	3	1 1/8	1/2	93 1/2 x 26 1/2 x 8 2/3	150
KTM-188-LE	18,800	2,850	3	1 1/8	7/8	93 1/2 x 26 1/2 x 8 2/3	157
KTM-210-LE	21,000	3,700	4	1 1/8	7/8	93 1/2 x 26 1/2 x 8 2/3	164
KTM-235-LE	23,500	3,780	4	1 3/8	7/8	113 1/2 x 26 1/2 x 8 2/3	191
KTM-265-LE	26,500	4,630	5	1 3/8	7/8	113 1/2 x 26 1/2 x 8 2/3	198

SERVICE PARTS

Model		PSC Motor		EC Motor & Blade			Fan Guard	Wire Harness	* Drain Pan Heater (if appl)
Medium Temp	Low Temp	115V	230V	Fan Blade	115V Combo	230V Combo			
KTM115M	KTM105L	1073403	1073405	1087600	1087500	1087501	1073456	1073642	1070854-003
KTM139M	KTM124L	1073403	1073405	1087600	1087500	1087501	1073456	1073642	1070854-003
KTM172M	KTM153L	1073403	1073405	1087600	1087500	1087501	1073456	1073642	1070854-002
KTM208M	KTM188L	1073403	1073405	1087600	1087500	1087501	1073456	1073642	1070854-002
KTM236M	KTM210L	1073403	1073405	1087600	1087500	1087501	1073456	1073642	1070854-002
KTM260M	KTM235L	1073403	1073405	1087600	1087500	1087501	1073456	1073642	1070854-001
KTM295M	KTM265L	1073403	1073405	1087600	1087500	1087501	1073456	1073642	1070854-001

Terminal Board - 1048825

Fan Delay / Defrost Termination Control - 1071280 (electric defrost models only)

Fan Delay / Heater Control - 1073640 (hot gas models only)

KLP SERIES LOW PROFILE UNIT COOLERS

High efficiency and high strength fan guard. Front access with higher capacity. More uniform air flow. Has convenient mounting brackets. Ample electrical and header compartments. The KLP features a flush to ceiling textured aluminum cabinet, stainless steel and nylon hardware, quick disconnect shaded pole fan motors, high density polyethylene fan guards with built in throw boosters. KLP are 6 FPI, 4 FPI is also available, call for more information.



MEDIUM TEMPERATURE MODELS

AIR DEFROST - 115V OR 230V

Order Number	Capacity @ 25°F BTU/hr	HP	CFM	Fan Qty	Connections (in)		W x D x H (in)	Ship Weight (lbs)
					Suction (ID)	Inlet Size		
KLP-104-MA	4,300	1/20	1010	1	5/8	1/2	30 1/4 x 13 7/8 x 15 7/8	45
KLP-106-MA	5,500	1/20	950	1	5/8	1/2	30 1/4 x 13 7/8 x 15 7/8	47
KLP-107-MA	6,800	1/20	900	1	5/8	1/2	30 1/4 x 13 7/8 x 15 7/8	49
KLP-209-MA	8,600	1/20	2,020	2	7/8	1/2	46 1/4 x 13 7/8 x 15 7/8	70
KLP-211-MA	11,000	1/20	1,910	2	7/8	1/2	46 1/4 x 13 7/8 x 15 7/8	74
KLP-214-MA	14,000	1/20	1,800	2	7/8	1/2	46 1/4 x 13 7/8 x 15 7/8	78
KLP-317-MA	17,000	1/20	2,860	3	7/8	1/2	62 1/4 x 13 7/8 x 15 7/8	101
KLP-320-MA	20,000	1/20	2,700	3	7/8	1/2	62 1/4 x 13 7/8 x 15 7/8	107
KLP-423-MA	23,000	1/20	3,810	4	1 1/8	1/2	78 1/4 x 13 7/8 x 15 7/8	117
KLP-426-MA	26,000	1/20	3,600	4	1 1/8	1/2	78 1/4 x 13 7/8 x 15 7/8	135
KLP-532-MA	32,000	1/20	4,500	5	1 3/8	1/2	94 1/4 x 13 7/8 x 15 7/8	163
KLP-639-MA	39,000	1/20	5,400	6	1 3/8	7/8	110 1/4 x 13 7/8 x 15 7/8	192

LOW TEMPERATURE MODELS

ELECTRIC DEFROST - 230V

Order Number	Capacity BTU/hr - Evaporator Temperature °F					HP	CFM	Fan Qty	Connections (in)		W x D x H (in)
	0	-10	-20	-30	-40				Suction ID	Inlet Size	
KLP-104-LE	3,930	3,870	3,800	3,550	3,270	1/20	1,010	1	5/8	1/2	30 1/4 x 13 7/16 x 15 7/8
KLP-105-LE	5,200	5,020	4,800	4,410	3,980	1/20	950	1	5/8	1/2	30 1/4 x 13 7/16 x 15 7/8
KLP-106-LE	6,090	5,960	5,800	5,380	4,920	1/20	900	1	5/8	1/2	30 1/4 x 13 7/16 x 15 7/8
KLP-207-LE	7,930	7,690	7,400	6,820	6,180	1/20	2,020	2	7/8	1/2	46 1/4 x 13 7/16 x 15 7/8
KLP-209-LE	9,720	9,400	9,000	8,280	7,470	1/20	1,910	2	7/8	1/2	46 1/4 x 13 7/16 x 15 7/8
KLP-211-LE	11,500	11,300	11,000	10,200	9,340	1/20	1,800	2	7/8	1/2	46 1/4 x 13 7/16 x 15 7/8
KLP-314-LE	15,100	14,600	14,000	12,900	11,700	1/20	2,860	3	7/8	1/2	62 1/4 x 13 7/16 x 15 7/8
KLP-317-LE	18,100	17,600	17,000	15,700	14,300	1/20	2,700	3	1 1/8	1/2	62 1/4 x 13 7/16 x 15 7/8
KLP-419-LE	20,000	19,600	19,000	17,600	16,100	1/20	3,810	4	1 1/8	1/2	78 1/4 x 13 7/16 x 15 7/8
KLP-422-LE	23,000	22,500	22,000	20,400	18,800	1/20	3,600	4	1 1/8	7/8	78 1/4 x 13 7/16 x 15 7/8
KLP-527-LE	29,000	28,100	27,000	24,900	22,500	1/20	4,500	5	1 3/8	7/8	94 1/4 x 13 7/16 x 15 7/8
KLP-631-LE	34,400	32,900	31,000	28,400	25,300	1/20	5,400	6	1 3/8	7/8	110 1/4 x 13 7/16 x 15 7/8

LOW TEMPERATURE MODELS

HOT GAS DEFROST - 115V OR 230V

Order Number	Capacity BTU/hr @ -20°F TD	Volts/Phase	Fan Qty	CFM	Watts	Connections (in)		H x W x D (in)	Ship Weight (lbs)
						Liquid	Suction		
KLP207L#	7,400	208-230/1/60	2	2,020	490	7/8	1/2	46 1/4 x 13 7/16 x 15 7/8	87
KLP209L#	9,000	208-230/1/60	2	1,910	490	7/8	1/2	46 1/4 x 13 7/16 x 15 7/8	91
KLP211L#	11,000	208-230/1/60	2	1,800	490	7/8	1/2	46 1/4 x 13 7/16 x 15 7/8	95
KLP314L#	14,000	208-230/1/60	3	2,860	720	7/8	1/2	62 1/4 x 13 7/16 x 15 7/8	124
KLP317L#	17,000	208-230/1/60	3	2,700	720	1 1/8	1/2	62 1/4 x 13 7/16 x 15 7/8	130
KLP419L#	19,000	208-230/1/60	4	3,810	950	1 1/8	1/2	78 1/4 x 13 7/16 x 15 7/8	145
KLP422L#	22,000	208-230/1/60	4	3,600	950	1 1/8	7/8	78 1/4 x 13 7/16 x 15 7/8	163
KLP527L#	27,000	208-230/1/60	5	4,500	1,170	1 3/8	7/8	94 1/4 x 13 7/16 x 15 7/8	198
KLP631L#	31,000	208-230/1/60	6	5,400	1,400	1 3/8	7/8	110 1/4 x 13 7/16 x 15 7/8	233

Note: Capacities rated using R404A with 10°F TD and 100°F liquid temperature

Defrost*: T = 3 Pipe Hot Gas w/Electric Heater Pan or Warm Fluid w/Electric Heater Pan for Fluid Air Coolers

H = 3 Pipe Hot Gas w/Hot Gas Loop Pan (optional)

G = Reverse Cycle w/Electric Heater Pan

R = Reverse Cycle w/Hot Gas Loop Pan (optional)

* T, H, G, R, available on 2 to 6 fan models only

Burnaby	604.298.4472	Interior BC	604.202.4853	Vancouver Island	604.282.0118	Calgary	403.214.2134	Edmonton	780.451.4744	Saskatchewan	306.373.9227
Kitchener	519.748.0961	St.Catharines	905.988.1724	Windsor	519.251.9925	North Bay	780.476.0800	Ottawa	613.742.0083	www.isc.tv	

KEEPRITE REFRIGERATION

KMP MEDIUM PROFILE UNIT COOLERS

Totally enclosed high efficiency PSC motors, high efficiency and high strength fan guard; internally enhanced tubing; more uniform air flow; reverse cycle & 3 pipe hot gas available; ample electrical and header compartments; lower heater wattage; liquid line solenoid valve wire harness factory installed; proven motor/fan/motor mount design. Available voltages are: 208-230/1/60, 208-230/3/60, 460/1/60, 460/3/60, 575/1/60, 575/3/60.



MEDIUM TEMPERATURE MODELS

AIR DEFROST - 115V OR 230V

Order Number	Capacity @ 25°F BTU/hr	HP	CFM	Fan Qty	Connections (in)		W x D x H (in)	Ship Weight (lbs)
					Suction (ID)	Inlet Size		
KMP-118-MA	18,000	1/3	3,430	1	7/8	5/8	50 1/4 x 16 3/4 x 27 3/4	154
KMP-122-MA	22,000	1/3	3,240	1	1 1/8	5/8	50 1/4 x 16 3/4 x 27 3/4	161
KMP-228-MA	28,000	1/3	7,260	2	1 1/8	5/8	84 1/4 x 16 3/4 x 27 3/4	224
KMP-236-MA	36,000	1/3	6,870	2	1 3/8	5/8	84 1/4 x 16 3/4 x 27 3/4	240
KMP-245-MA	45,000	1/3	6,480	2	1 3/8	7/8	84 1/4 x 16 3/4 x 27 3/4	254
KMP-355-MA	55,000	1/3	10,300	3	1 5/8	7/8	118 1/4 x 16 3/4 x 27 3/4	326
KMP-368-MA	68,000	1/3	9,720	3	1 5/8	7/8	118 1/4 x 16 3/4 x 27 3/4	349
KMP-480-MA	80,000	1/3	13,000	4	1 5/8	7/8	136 1/4 x 16 3/4 x 27 3/4	414
KMP-488-MA	88,000	1/3	12,200	4	1 5/8	7/8	136 1/4 x 16 3/4 x 27 3/4	433

LOW TEMPERATURE MODELS

ELECTRIC DEFROST - 230V

Order Number	Capacity BTU/hr - Evaporator Temperature °F					HP	CFM	Fan Qty	Connections (in)		W x D x H (in)
	0	-10	-20	-30	-40				Suction ID	Inlet Size	
KMP-116-LE	16,500	16,300	16,000	14,900	13,800	1/3	3,430	1	1 1/8	5/8	50 1/4 x 16 3/4 x 27 3/4
KMP-119-LE	20,100	19,600	19,000	17,600	16,000	1/3	3,240	1	1 1/8	5/8	50 1/4 x 16 3/4 x 27 3/4
KMP-225-LE	26,400	25,700	25,000	23,100	21,100	1/3	7,260	2	1 3/8	5/8	84 1/4 x 16 3/4 x 27 3/4
KMP-232-LE	24,100	33,200	32,000	29,500	26,800	1/3	6,870	2	1 3/8	7/8	84 1/4 x 16 3/4 x 27 3/4
KMP-240-LE	42,200	41,200	40,000	37,000	33,800	1/3	6,480	2	1 5/8	7/8	84 1/4 x 16 3/4 x 27 3/4
KMP-348-LE	49,300	48,800	48,000	44,900	41,600	1/3	10,300	3	1 5/8	7/8	118 1/4 x 16 3/4 x 27 3/4
KMP-356-LE	57,300	56,800	56,000	52,600	48,900	1/3	9,720	3	1 5/8	1 1/8	118 1/4 x 16 3/4 x 27 3/4
KMP-471-LE	73,200	72,300	71,000	66,300	61,300	1/3	13,000	4	2 1/8	1 1/8	136 1/4 x 16 3/4 x 27 3/4

LOW TEMPERATURE MODELS

HOT GAS DEFROST - 115V OR 230V

Order Number	Capacity @ -20°F BTU/hr	Volts/Phase	Fan Qty	CFM	Watts	Connections (in)		W x D x H (in)	Ship Weight (lbs)
						Liquid	Suction		
KMP116L#	16,000	208-230/1/60	1	3,430	534	1 1/8	7/8	50 1/4 x 16 3/4 x 27 3/4	157
KMP119L#	19,000	208-230/1/60	1	3,240	534	1 1/8	7/8	50 1/4 x 16 3/4 x 27 3/4	164
KMP225L#	25,000	208-230/1/60	2	7,260	887	1 3/8	7/8	84 1/4 x 16 3/4 x 27 3/4	230
KMP232L#	32,000	208-230/1/60	2	6,870	887	1 3/8	1 1/8	84 1/4 x 16 3/4 x 27 3/4	245
KMP240L#	40,000	208-230/1/60	2	6,480	887	1 5/8	1 3/8	84 1/4 x 16 3/4 x 27 3/4	261
KMP348L#	48,000	208-230/1/60	3	10,300	1240	1 5/8	1 5/8	118 1/4 x 16 3/4 x 27 3/4	335
KMP356L#	56,000	208-230/1/60	3	9,720	1240	1 5/8	1 5/8	118 1/4 x 16 3/4 x 27 3/4	360
KMP471L#	71,000	208-230/1/60	4	13,000	1430	2 1/8	1 5/8	136 1/4 x 16 3/4 x 27 3/4	423

Note: Capacities rated using R404A with 10°F TD and 100°F liquid temperature

Defrost*: T = 3 Pipe Hot Gas w/Electric Heater Pan or Warm Fluid w/Electric Heater Pan for Fluid Air Coolers

H = 3 Pipe Hot Gas w/Hot Gas Loop Pan (optional)

G = Reverse Cycle w/Electric Heater Pan

R = Reverse Cycle w/Hot Gas Loop Pan (optional)

* T, H, G, R, available on 2 to 6 fan models only

KHP SERIES HIGH PROFILE UNIT COOLERS

Heavy gauge textured aluminum cabinet with galvanized steel hangers, support channels and end plates. Hinged access panels with removable hinge pins and captive fasteners. Hinged drain pan with removable hinge pins. Rugged heavy-gauge galvanized steel rail motor mount and support. Medium and low temperature 6 FPI. Note: also available in 4 FPI call for more information. Available voltages are: 208-230/3/60, 460/3/60, 575/3/60.



HIGH AND MEDIUM TEMPERATURE MODELS

AIR DEFROST - AVAILABLE IN 230/3/60, 460/3/60 AND 575/3/60

Order Number	FPI	Capacity @ -20°F BTU/hr	CFM	Motor Qty	H x W x D (in)	Connections (in)		Ship Weight (lbs)
						Liquid	Suction	
KHP073HA	7	73,000	16,400	2	53 1/32 x 99 x 40 1/2	1 1/8	1 5/8	770
KHP086HA	7	86,000	15,200	2	53 1/32 x 99 x 40 1/2	1 3/8	1 5/8	742
KHP113HA	7	113,000	15,600	2	53 1/32 x 99 x 40 1/2	1 3/8	2 1/8	837
KHP130HA	7	130,000	22,800	3	53 21/32 x 139 x 40 1/2	1 3/8	2 1/8	1071
KHP154HA	7	154,000	24,700	3	53 21/32 x 139 x 40 1/2	1 3/8	2 1/8	1145
KHP170HA	7	170,000	23,500	3	53 21/32 x 139 x 40 1/2	1 5/8	2 1/8	1208
KHP189HA	7	189,000	25,400	3+	56 21/32 x 145 x 40 1/2	1 3/8	2 5/8	1293
KHP233HA	7	233,000	35,600	4	57 9/32 x 187 x 40 1/2	1 3/8	2 5/8	1590
KHP252HA	7	252,000	33,800	4	57 9/32 x 187 x 40 1/2	1 3/8	2 5/8	1696
KHP278HA	7	278,000	31,000	4	57 9/32 x 187 x 40 1/2	1 5/8	2 5/8	1919

MEDIUM TEMPERATURE MODELS

ELECTRIC DEFROST - AVAILABLE IN 230/3/60, 460/3/60 AND 575/3/60

Order Number	FPI	Capacity @ -20°F BTU/hr	CFM	Motor Qty	H x W x D (in)	Connections (in)		Ship Weight (lbs)
						Liquid	Suction	
KHP068ME	6	67,900	16,800	2	53 1/32 x 99 x 40 1/2*	1 1/8	1 3/8	689
KHP081ME	6	81,300	15,600	2	53 1/32 x 99 x 40 1/2*	1 3/8	1 5/8	731
KHP092ME	6	91,500	14,700	2	53 1/32 x 99 x 40 1/2*	1 3/8	1 5/8	774
KHP108ME	6	108,000	15,900	2	53 1/32 x 99 x 40 1/2*	1 3/8	2 1/8	816
KHP123ME	6	123,000	23,400	3	53 21/32 x 139 x 40 1/2*	1 3/8	2 1/8	1049
KHP135ME	6	135,000	22,000	3	53 21/32 x 139 x 40 1/2*	1 3/8	2 1/8	1113
KHP162ME	6	162,000	23,900	3	53 21/32 x 139 x 40 1/2*	1 3/8	2 1/8	1177
KHP181ME	6	181,000	26,100	3+	56 21/32 x 145 x 40 1/2*	1 3/8	2 1/8	1272
KHP221ME	6	221,000	36,300	4	57 9/32 x 187 x 40 1/2*	1 3/8	2 5/8	1558
KHP243ME	6	243,000	34,800	4	57 9/32 x 187 x 40 1/2*	1 3/8	2 5/8	1664
KHP271ME	6	271,000	32,000	4	57 9/32 x 187 x 40 1/2*	1 5/8	2 5/8	1876

LOW TEMPERATURE MODELS

ELECTRIC DEFROST - AVAILABLE IN 230/3/60, 460/3/60 AND 575/3/60

Order Number	FPI	Capacity BTU/hr - Evaporator Temperature °F					CFM	Motor Qty	H x W x D (in)	Connections (in)		Ship Weight (lbs)
		0	-10	-20	-30	-40				Liquid	Suction	
KHP065LE	6	71,900	68,800	64,300	59,700	54,500	18,900	2	53 1/32 x 99 x 40 1/2*	1 3/8	2 1/8	689
KHP078LE	6	87,400	83,700	78,200	72,600	66,200	17,800	2	53 1/32 x 99 x 40 1/2*	1 3/8	2 1/8	731
KHP089LE	6	99,500	95,200	89,000	82,700	75,400	16,900	2	53 1/32 x 99 x 40 1/2*	1 3/8	2 1/8	744
KHP094LE	6	105,200	100,700	94,100	87,400	79,700	15,930	2	53 1/32 x 99 x 40 1/2*	1 3/8	2 1/8	816
KHP118LE	6	131,900	126,300	118,000	109,600	99,900	26,730	3	53 21/32 x 139 x 40 1/2*	1 3/8	2 5/8	1,049
KHP134LE	6	149,800	143,400	134,000	124,500	113,500	25,310	3	53 21/32 x 139 x 40 1/2*	1 5/8	2 5/8	1,113
KHP143LE	6	159,800	153,000	143,000	132,800	121,100	23,890	3	53 21/32 x 139 x 40 1/2*	1 5/8	2 5/8	1,117
KHP161LE	6	179,900	172,300	161,000	149,600	136,400	26,080	3+	56 21/32 x 145 x 40 1/2*	1 5/8	2 5/8	1,272
KHP175LE	6	195,600	187,300	175,000	162,600	148,200	38,100	4	57 9/32 x 187 x 40 1/2*	1 5/8	2 5/8	1,452
KHP198LE	6	221,300	211,900	198,000	183,900	167,700	36,290	4	57 9/32 x 187 x 40 1/2*	1 5/8	3 1/8	1,558
KHP216LE	6	241,400	231,100	216,000	200,700	183,000	34,770	4	57 9/32 x 187 x 40 1/2*	1 5/8	3 1/8	1,664
KHP228LE	6	254,800	244,000	228,000	211,800	193,100	32,000	4	57 9/32 x 187 x 40 1/2*	1 5/8	3 1/8	1,876

KEEPRITE REFRIGERATION

KHP SERIES HIGH PROFILE UNIT COOLERS



MEDIUM TEMPERATURE MODELS

HOT GAS DEFROST - AVAILABLE IN 230/3/60, 460/3/60 AND 575/3/60

Order Number	FPI	Capacity @ -25°F BTU/hr	CFM	Motor Qty	H x W x D (in)	Connections (in)		Ship Weight (lbs)
						Liquid	Suction	
KHP068M#	6	67,900	16,800	2	53 1/32 x 99 x 40 1/2**	1 1/8	1 3/8	689
KHP081M#	6	81,300	15,600	2	53 1/32 x 99 x 40 1/2**	1 3/8	1 5/8	731
KHP092M#	6	91,500	14,700	2	53 1/32 x 99 x 40 1/2**	1 3/8	1 5/8	774
KHP108M#	6	108,000	15,900	2	53 1/32 x 99 x 40 1/2**	1 3/8	2 1/8	816
KHP123M#	6	123,000	23,400	3	53 21/32 x 139 x 40 1/2**	1 3/8	2 1/8	1,049
KHP135M#	6	135,000	22,000	3	53 21/32 x 139 x 40 1/2**	1 3/8	2 1/8	1,113
KHP162M#	6	162,000	23,900	3	53 21/32 x 139 x 40 1/2**	1 3/8	2 1/8	1,177
KHP181M#	6	181,000	26,100	3+	56 21/32 x 145 x 40 1/2**	1 3/8	2 1/8	1,272
KHP221M#	6	221,000	36,300	4	57 9/32 x 187 x 40 1/2**	1 3/8	2 5/8	1,558
KHP243M#	6	243,000	34,800	4	57 9/32 x 187 x 40 1/2**	1 3/8	2 5/8	1,664
KHP271M#	6	271,000	32,000	4	57 9/32 x 187 x 40 1/2**	1 5/8	2 5/8	1,876

LOW TEMPERATURE MODELS

HOT GAS DEFROST - AVAILABLE IN 230/3/60, 460/3/60 AND 575/3/60

Order Number	FPI	Capacity BTU/hr - Evaporator Temperature °F					CFM	Motor Qty	H x W x D (in)	Connections (in)		Ship Weight (lbs)
		0	-10	-20	-30	-40				Liquid	Suction	
KHP065L#	6	71,900	68,800	64,300	59,700	54,500	18,900	2	53 1/32 x 99 x 40 1/2**	1 3/8	2 1/8	689
KHP078L#	6	87,400	83,700	78,200	72,600	66,200	17,800	2	53 1/32 x 99 x 40 1/2**	1 3/8	2 1/8	731
KHP089L#	6	99,500	95,200	89,000	82,700	75,400	16,900	2	53 1/32 x 99 x 40 1/2**	1 3/8	2 1/8	774
KHP094L#	6	105,200	100,700	94,100	87,400	79,700	15,930	2	53 1/32 x 99 x 40 1/2**	1 3/8	2 1/8	816
KHP118L#	6	131,900	126,300	118,000	109,600	99,900	26,730	3	53 21/32 x 139 x 40 1/2**	1 3/8	2 5/8	1,049
KHP134L#	6	149,800	143,400	134,000	124,500	113,500	25,310	3	53 21/32 x 139 x 40 1/2**	1 5/8	2 5/8	1,113
KHP143L#	6	159,800	153,000	143,000	132,800	121,100	23,890	3	53 21/32 x 139 x 40 1/2**	1 5/8	2 5/8	1,177
KHP161L#	6	179,900	172,300	161,000	149,600	136,400	26,080	3+	56 21/32 x 145 x 40 1/2**	1 3/8	2 5/8	1,272
KHP175L#	6	195,600	187,300	175,000	162,600	148,200	38,100	4	57 9/32 x 187 x 40 1/2**	1 5/8	2 5/8	1,452
KHP198L#	6	221,300	211,900	198,000	183,900	167,700	36,290	4	57 9/32 x 187 x 40 1/2**	1 5/8	3 1/8	1,558
KHP216L#	6	241,400	231,100	216,000	200,700	183,000	34,770	4	57 9/32 x 187 x 40 1/2**	1 5/8	3 1/8	1,664
KHP228L#	6	254,800	244,000	228,000	211,800	193,100	32,000	4	57 9/32 x 187 x 40 1/2**	1 5/8	3 1/8	1,876

Note: Capacities rated using R404A with 10°F TD and 100°F liquid temperature

Defrost*: T = 3 Pipe Hot Gas w/Heater

H = 3 Pipe Hot Gas w/Loop

G = Reverse Cycle Hot Gas w/Heater

R = Reverse Cycle Hot Gas w/Loop

KLVSERIES LOW VELOCITY UNIT COOLERS

Designed to 35°F rooms and higher, the KLV-AD low velocity unit cooler allows for positive low air movement and even temperatures throughout the refrigerated space, while maintaining desired humidity conditions. The KLV-AD unit features a cleanable, durable textured aluminum cabinet, corrosion resistant fasteners, low speed plug-in motor/fan assemblies and a positive sloped drain pan assembly. Available in ten sizes from 6,000 – 37,000 BTU/hr. optional fin materials and coatings, energy efficient PSC motors, and painted cabinet available.



AIR DEFROST MODEL 115V 1 PHASE

Order Number	Capacity @ 20°F BTU/hr and 10°F TD	CFM	Fan Qty	FLA	MCA	MOP	H x W x D (in)	Connections (in)	
								Liquid	Suction
KLV-060-AD-S1	6,000	850	1	2.3	2.9	15	8 11/16 x 66 7/8 x 28 1/8	1/2	5/8
KLV-090-AD-S1	9,000	1,120	1	2.3	2.9	15	9 9/16 x 66 7/8 x 28 1/8	1/2	7/8
KLV-120-AD-S1	12,000	1,500	2	4.6	5.2	15	12 7/16 x 66 7/8 x 28 1/8	1/2	7/8
KLV-150-AD-S1	15,000	2,000	2	4.6	5.2	15	14 15/16 x 66 7/8 x 28 1/8	1/2	1 1/8
KLV-180-AD-S1	18,000	2,530	3	6.9	7.5	15	14 15/16 x 92 7/8 x 28 1/8	1/2	1 1/8
KLV-220-AD-S1	22,000	2,785	3	6.9	7.5	15	14 15/16 x 92 7/8 x 28 1/8	1/2	1 1/8
KLV-270-AD-S1	27,000	3,400	3	6.9	7.5	15	17 7/16 x 92 7/8 x 28 1/8	7/8	1 1/8
KLV-300-AD-S1	30,000	4,000	4	9.2	9.8	15	17 7/16 x 92 7/8 x 28 1/8	7/8	1 1/8
KLV-340-AD-S1	34,000	4,370	4	9.2	9.8	15	17 7/16 x 112 7/8 x 28 1/8	7/8	1 3/8
KLV-370-AD-S1	37,000	4,840	5	11.5	12.1	15	17 7/16 x 112 7/8 x 28 1/8	7/8	1 3/8

Note: Coils also available in 208–230, 1 Ph.
Capacities are rated with R22

ELECTRIC DEFROST MODEL 208-230V 1 PHASE

The KLV electric defrost low velocity unit cooler features the same characteristics as the KLV-AD and can be applied in lower temperature 28 - 34°F rooms. The electric defrost units also include corrosion proof incoloy sheathed defrost heaters on the face of each coil and on individual inner-drain pans under each coil allowing for fast efficient coil defrosting. Defrost heaters are wired to a factory installed terminal block. The unit also includes a thermdisc type fan delay and defrost termination thermostat.

Order Number	Capacity @ 20°F BTU/hr and 10°F TD	CFM	Fan Qty	FLA	MCA	Defrost Heaters			H x W x D (in)	Connections (in)	
						Watts	FLA	MCA		Liquid	Suction
KLV-060-ED-S2	6,000	850	1	1.2	1.5	1,880	8.2	10.2	8 11/16 x 66 7/8 x 28 1/8	1/2	5/8
KLV-090-ED-S2	9,000	1,120	1	1.2	1.5	1,880	8.2	10.2	9 9/16 x 66 7/8 x 28 1/8	1/2	7/8
KLV-120-ED-S2	12,000	1,500	2	2.4	2.7	3,180	13.8	17.3	12 7/16 x 66 7/8 x 28 1/8	1/2	7/8
KLV-150-ED-S2	15,000	2,000	2	2.4	2.7	3,180	13.8	17.3	14 15/16 x 66 7/8 x 28 1/8	1/2	1 1/8
KLV-180-ED-S2	18,000	2,530	3	3.6	3.9	4,540	19.7	24.7	14 15/16 x 92 7/8 x 28 1/8	1/2	1 1/8
KLV-220-ED-S2	22,000	2,785	3	3.6	3.9	4,540	19.7	24.7	14 15/16 x 92 7/8 x 28 1/8	1/2	1 1/8
KLV-270-ED-S2	27,000	3,400	3	3.6	3.9	4,540	19.7	24.7	17 7/16 x 92 7/8 x 28 1/8	7/8	1 1/8
KLV-300-ED-S2	30,000	4,000	4	4.8	5.1	4,540	19.7	24.7	17 7/16 x 92 7/8 x 28 1/8	7/8	1 1/8
KLV-340-ED-S2	34,000	4,370	4	4.8	5.1	5,580	24.3	30.3	17 7/16 x 112 7/8 x 28 1/8	7/8	1 3/8
KLV-370-ED-S2	37,000	4,840	5	6	6.3	5,580	24.3	30.3	17 7/16 x 112 7/8 x 28 1/8	7/8	1 3/8

Note: Capacities are rated with R22

KEEPRITE REFRIGERATION

KLVSERIES LOW VELOCITY UNIT COOLERS

The KLV hot gas defrost low velocity unit cooler features similar characteristics as the KLV-AD and can be applied in lower temperature 28 - 34°F rooms. The hot gas defrost units include corrosion proof incoloy sheathed heaters on individual drain pan assemblies preventing re-freezing of condensate water during defrost cycles. Factory installed side outlet distributor and thermodisc type fan delay thermostats are standard. Check valves are supplied loose for TX valve by-pass. Units are suitable for reverse cycle, three pipe or Thermosaver™ hot gas defrost applications. Available in ten sizes from 9,000 – 37,000 BTU/hr. optional fin materials and coatings, energy efficient PSC motors, and painted cabinet available. Available in 115/1/60 and 208/230/1/60.



HOT GAS DEFROST MODEL 115V OR 230V

Order Number	Capacity @ 20°F BTU/hr and 10°F TD	CFM	Fan Qty	Drain Pan Heaters (watts)	H x W x D (in)	Connections (in)	
						Liquid	Suction
KLV-060#*	6,000	850	1	580	8 11/16 x 66 7/8 x 28 1/8	1/2	5/8
KLV-090#*	9,000	1,120	1	580	9 9/16 x 66 7/8 x 28 1/8	1/2	7/8
KLV-120#*	12,000	1,500	2	580	12 7/16 x 66 7/8 x 28 1/8	1/2	7/8
KLV-150#*	15,000	2,000	2	580	14 15/16 x 66 7/8 x 28 1/8	1/2	1 1/8
KLV-180#*	18,000	2,530	3	820	14 15/16 x 92 7/8 x 28 1/8	1/2	1 1/8
KLV-220#*	22,000	2,785	3	820	14 15/16 x 92 7/8 x 28 1/8	1/2	1 1/8
KLV-270#*	27,000	3,400	3	820	17 7/16 x 92 7/8 x 28 1/8	7/8	1 1/8
KLV-300#*	30,000	4,000	4	820	17 7/16 x 92 7/8 x 28 1/8	7/8	1 1/8
KLV-340#*	34,000	4,370	4	1,020	17 7/16 x 112 7/8 x 28 1/8	7/8	1 3/8
KLV-370#*	37,000	4,840	5	1,020	17 7/16 x 112 7/8 x 28 1/8	7/8	1 3/8

Type of Defrost

HE = 3 Pipe Defrost, Electric Heated Drain Pan
 RE = Reverse Cycle Defrost, Electric Heated Drain Pan
 TE = Thermosaver Defrost, Electric Heated Drain Pan

Electrical Designation

S1 = 115/1/60
 S2 = 208/230/1/60

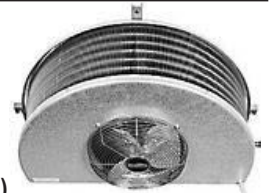
SERVICE PARTS

Order Number	Description	Use on Models
1073402	Fan motors: 100-115/1/60 SP, 1/15 HP	All
1073403	Fan motors: 100-115/1/60 PSC, 1/15 HP	All
1073404	Fan motors: 200-230/1/60 SP, 1/15 HP	All
1073405	Fan motors: 200-230/1/60 PSC, 1/15 HP	All
1070854-003	Heater: coil face, 115V, 650 W	KLVB-60, 90, 120, 150
1070854-002	Heater: coil face, 115V, 930 W	KLVB-180, 220, 270, 300
1070854-001	Heater: coil face, 115V, 1,140 W	KLVB-340, 370
1070854-006	Heater: drain pan, 115V, 290 W	KLVB-60, 90, 120, 150
1070854-005	Heater: drain pan, 115V, 410 W	KLVB-180, 220, 270, 300
1070854-004	Heater: drain pan, 115V, 510 W	KLVB-340, 370
1073414	Fan blades: 14" 35° 5 blades	KLVB-90, 270, 340
1073415	Fan blades: 14" 32° 5 blades	KLVB-150, 220, 300, 370
1073416	Fan blades: 14" 22° 5 blades	KLVB-60, 120, 180
1073640	Thermostat: fan / heater control	Hot gas defrost models (RE and HE)
1073350	Fan guard	All
1073825-001	Inner drain pan	KLVB-60, 90, 120, 150
1073825-002	Inner drain pan	KLVB-220, 270, 300
1073825-003	Inner drain pan	KLVB-340, 370
1073825-003	Inner drain pan	KLVB-340, 370
1073760-002	Outer drain pan	KLVB-60, 90
1073761-002	Outer drain pan	KLVB-120, 150
1073762-002	Outer drain pan	KLVB-180, 220, 270
1073763-002	Outer drain pan	KLVB-300
1073764-002	Outer drain pan	KLVB-340
1073765-002	Outer drain pan	KLVB-370
1073765	Outer drain pan	KLVB-370

R SERIES ROUNDELL UNIT COOLERS

FOR USE IN SMALL WALK-IN COOLERS AND OTHER SIMILAR APPLICATIONS

Air defrost models designed for room temperatures of 35°F or higher. Storage space is maximized by the compact, low profile design. Air is drawn in through the fan and discharged radially in a full 180° arc. The low discharge air velocity helps to minimize product dehydration.



Connections (in)

Order Number	BTU/hr Capacity @ 10°F TD	CFM	FLA	Fan Qty	H x W x D (in)	Liquid	Suction	Ship Weight (lbs)
R375A	3,730	770	1.6	1	11 5/8 x 33 1/4 x 20 3/4	1/2	5/8	72
R485A	4,880	770	1.6	1	11 5/8 x 33 1/4 x 20 3/4	1/2	5/8	76
R595A	6,050	1,280	1.6	1	11 7/8 x 39 1/4 x 23 3/4	1/2	5/8	98
R775A	7,900	1,300	2.1	1	14 7/8 x 39 1/4 x 23 3/4	1/2	7/8	104
R905A	8,900	1,800	2.1	1	15 1/8 x 42 1/4 x 25 1/4	1/2	7/8	108
R1025A	10,200	2,050	2.1	1	16 1/8 x 42 1/4 x 25 1/4	1/2	7/8	114
R1305A	12,800	2,000	2.1	1	16 1/8 x 42 1/4 x 25 1/4	1/2	7/8	124
R2050A	20,400	4,050	4.2	2	16 1/8 x 74 x 25 1/4	1/2	1 1/8	187

*. Standard voltage @ 115V @ 60 Hz, 1 Ph. **Note: Drain connection: 5/8 OD.** **Note: Also available in 230V.**

SERVICE PARTS

Order Number	Description	Use on Models
170621	115V S.P. fan motors	R375, R485, R595
170620	115V S.P. fan motors	R775, R905, R1025, R1305, R2050
1062533	115V P.S.C. fan motors	R375, R485, R595
1062541	115V P.S.C. fan motors	R775, R905, R1025, R1305, R2050
1062534	208-230V P.S.C. fan motors	R375, R485, R595
1062531	208-230V P.S.C. fan motors	R775, R905, R1025, R1305, R2050
28271	Fan Blade	R375, R485
28270	Fan Blade	R595
28272	Fan Blade	R775
28269	Fan Blade	R905, R1025, R1305, R2050
1043043	Fan Guard	R375, R485
170512-003	Fan Guard	R595, R775, R905, R1025, R1305, R2050

KCS SERIES AIR COOLED CONDENSERS

HORIZONTAL OR VERTICAL AIR DISCHARGE

CSA approved for outdoor and indoor applications. Totally enclosed, ball bearing 1,500 RPM, PSC high efficiency motors. Coils fabricated with 3/8" OD copper tube mechanically expanded to corrugated aluminum fins. Rugged heavy gauge galvanized steel construction. Vinyl coated fan grille and motor mount for improved appearance and durability.



AIR DEFROST - AVAILABLE IN 208-230/1, 208-230/3, 460/1, 460/3, 575/1 AND 575/3

Order Number	Total Heat of Rejection MBH (R22)					Fan Qty	HP	CFM	Connections (in)		Vertical Application W x L x H (in)	Ship Weight (lbs)
	1°F	10°F	15°F	20°F	30°F				Inlet	Outlet		
KCS-002	1.24	12.4	18.6	24.8	37.2	1	1/6	2180	5/8	3/8	24 1/4 x 26 1/2 x 38 3/8	127
KCS-003	1.54	15.4	23.1	30.8	46.2	1	1/6	1950	5/8	1/2	24 1/4 x 26 1/2 x 38 3/8	121
KCS-005	2.60	26.0	38.9	51.9	77.9	1	1/3	4570	7/8	5/8	31 3/4 x 39 x 38 3/8	150
KCS-008	3.87	38.7	58.1	77.5	116	1	1/3	4570	1 1/8	7/8	41 3/4 x 39 x 38 3/8	197
KCS-010	5.10	51.0	76.4	102	153	2	1/3	9140	1 1/8	7/8	41 3/4 x 56 1/2 x 38 3/8	254
KCS-012	6.17	61.7	92.6	124	185	2	1/3	8160	1 1/8	7/8	41 3/4 x 56 1/2 x 38 3/8	269
KCS-014	7.03	70.3	105	141	211	2	1/3	9140	1 3/8	7/8	41 3/4 x 76 1/2 x 38 3/8	305
KCS-016	7.72	77.2	116	154	232	2	1/3	9140	1 3/8	7/8	41 3/4 x 76 1/2 x 38 3/8	325
KCS-019	9.18	91.8	138	184	276	3	1/3	12240	1 5/8	1 1/8	41 3/4 x 42 x 38 3/8	381
KCS-024	11.5	115	173	231	346	3	1/3	13700	1 5/8	1 1/8	41 3/4 x 57 x 38 3/8	447

SERVICE PARTS FOR ALL MODELS

Order Number	Description	Order Number	Description
171521-056	Capacitor, 5 mfd, 270V	1041289	Terminal block
1042319	Fan blade	1041300	Fan motor: 208-230/1/60
1042220	Condenser coil, (08)	1042219	Condenser coil, (03)
1042221	Condenser coil, (10)	104148	Condenser coil, (05)
1042140	Fan motor: 575/1/60	1041313	Motor mount
1042141	Fan motor: 460/1/60	1042441	Condenser coil, (02)

Burnaby	604.298.4472	Interior BC	604.202.4853	Vancouver Island	604.282.0118	Calgary	403.214.2134	Edmonton	780.451.4744	Saskatchewan	306.373.9227
Kitchener	519.748.0961	St.Catharines	905.988.1724	Windsor	519.251.9925	North Bay	780.476.0800	Ottawa	613.742.0083	www.isc.tv	

KEEPRITE REFRIGERATION

KVC SERIES DIRECT DRIVE AIR COOLED CONDENSERS

SINGLE ROW

Features: THERMOSPAN coil design feature eliminates tube failure on tube sheets. Standard 850 RPM quiet low speed dual voltage (230/460) fan motors with male electrical plug, moisture slinger, and rain shield for complete weather protection. Heavy gauge galvanized steel rail motor mounts/support. All fans sections individually baffled with full height partitions, and clean out panels. Heavy gauge galvanized steel cabinet assembled with zinc plate huck bolts supported on heavy duty legs.



AVAILABLE IN 208-230/1, 208-230/3, 460/3, 575/3

MBH Capacity THR @ 20°F TD (R22, R404, R507)

Order Number	Fan Rows	1°F	10°F	15°F	20°F	30°F	H x W x L (in)	Ship Weight (lbs)
KVC011A	1	5.220	52.20	78.30	104.4	156.6	48 1/2 x 45 1/8 x 49 1/2	380
KVC012A	1	5.875	58.75	88.13	117.5	176.3	48 1/2 x 45 1/8 x 49 1/2	410
KVC013A	1	6.460	64.60	96.90	129.2	193.8	48 1/2 x 45 1/8 x 49 1/2	440
KVC014A	1	6.882	68.82	103.2	137.6	206.5	48 1/2 x 45 1/8 x 62 1/2	460
KVC016A	1	7.670	76.70	115.1	153.4	230.1	48 1/2 x 45 1/8 x 62 1/2	510
KVC022A	2	10.44	104.4	156.6	208.8	313.2	48 1/2 x 45 1/8 x 96 1/2	620
KVC024A	2	11.58	115.8	173.7	231.6	347.4	48 1/2 x 45 1/8 x 96 1/2	690
KVC027A	2	12.92	129.2	193.8	258.4	387.6	48 1/2 x 45 1/8 x 96 1/2	750
KVC032A	2	15.34	153.4	230.1	306.8	460.2	48 1/2 x 45 1/8 x 122 1/2	890
KVC037A	3	17.63	176.3	264.5	352.6	528.9	48 1/2 x 45 1/8 x 143 1/2	970
KVC041A	3	19.37	193.7	290.6	387.4	581.1	48 1/2 x 45 1/8 x 143 1/2	1,070
KVC043A	3	20.65	206.5	309.8	413.0	619.5	48 1/2 x 45 1/8 x 182 1/5	1,170
KVC048A	3	22.80	228.0	342.0	456.0	684.0	48 1/2 x 45 1/8 x 182 1/2	1,310
KVC056A	4	26.94	269.4	404.1	538.8	808.2	48 1/2 x 45 1/8 x 242 1/2	1,650
KVC063A	4	30.28	302.8	454.2	605.6	908.4	48 1/2 x 45 1/8 x 242 1/2	1,810
KVC068A	4	33.00	330.0	495.0	660.0	990.0	48 1/2 x 45 1/8 x 242 1/2	1,990
KVC079A	5	37.86	378.6	567.9	757.2	1,136	48 1/2 x 45 1/8 x 302 1/2	2,300
KVC085A	5	41.25	412.5	618.8	825.0	1,238	48 1/2 x 45 1/8 x 302 1/2	2,530
KVC095A	6	45.43	454.3	681.5	908.6	1,363	48 1/2 x 45 1/8 x 362 1/2	2,880
KVC103A	6	49.49	494.9	742.4	989.8	1,485	48 1/2 x 45 1/8 x 362 1/2	3,150

DOUBLE ROW

MBH Capacity THR @ 20°F TD (R22, R404, R507)

Order Number	Fan Rows	1°F	10°F	15°F	20°F	30°F	H x W x L (in)	Ship Weight (lbs)
KVC044A	2	20.88	208.8	313.2	417.6	626.4	48 1/2 x 87 5/8 x 96 1/2	1,070
KVC049A	2	23.50	235.0	352.5	470.0	705.0	48 1/2 x 87 5/8 x 96 1/2	1,200
KVC054A	2	25.84	258.4	387.6	516.8	775.2	48 1/2 x 87 5/8 x 96 1/2	1,330
KVC057A	2	27.53	275.3	413.0	550.6	825.9	48 1/2 x 87 5/8 x 122 1/2	1,400
KVC064A	2	30.68	306.8	460.2	613.6	920.4	48 1/2 x 87 5/8 x 122 1/2	1,590
KVC073A	3	35.25	352.5	528.8	705.0	1,058	48 1/2 x 87 5/8 x 143 1/2	1,720
KVC081A	3	38.76	387.6	581.4	775.2	1,163	48 1/2 x 87 5/8 x 143 1/2	1,920
KVC086A	3	41.29	412.9	619.4	825.8	1,239	48 1/2 x 87 5/8 x 182 1/2	2,060
KVC096A	3	46.02	460.2	690.3	920.4	1,381	48 1/2 x 87 5/8 x 182 1/2	2,340
KVC112A	4	53.89	538.9	808.4	1,078	1,617	48 1/2 x 87 5/8 x 242 1/2	2,780
KVC126A	4	60.57	605.7	908.6	1,211	1,817	48 1/2 x 87 5/8 x 242 1/2	3,100
KVC137A	4	65.99	659.9	989.9	1,320	1,980	48 1/2 x 87 5/8 x 242 1/2	3,460
KVC158A	5	75.71	757.1	1,136	1,514	2,271	48 1/2 x 87 5/8 x 302 1/2	4,000
KVC172A	5	82.49	824.9	1,237	1,650	2,475	48 1/2 x 87 5/8 x 302 1/2	4,460
KVC190A	6	90.85	908.5	1,363	1,817	2,726	48 1/2 x 87 5/8 x 362 1/2	4,850
KVC206A	6	98.99	989.9	1,485	1,980	2,970	48 1/2 x 87 5/8 x 362 1/2	5,400

Capacity correction factors for other refrigerants:

R134	R407A	R407B	R407C
0.94	0.97	0.97	1.00

KEEPRITE REFRIGERATION

KMH-LINE INDOOR/OUTDOOR COMPACT AIR COOLED HERMETIC CONDENSING UNITS

Standard features include space-saving, compact design; Copeland (H/E/L), Bristol R22 (H) or Maneurop R404A/R507 (M/L) hermetic compressor; high efficiency PSC fan motors; enhanced tube condenser coil; copper tubing secured with cushion clamps; outdoor weather-resistant housing with removable hood; adjustable low (1 HP and below) or high/low pressure control (above 1 HP); fan guard; receiver outlet valve; flooded head pressure control; crankcase heater.



R22 HIGH / MEDIUM TEMPERATURE - 1/2 - 5 HP

Order Number	Compressor	HP	BTU/hr @ 95°F Ambient		MCA (60 Hz)			L x W x H (in)	Connections (in)		Ship Weight (lbs)
			35°F SST	25°F SST	115/1	208-230/1	208-230/3		Liquid	Suction	
Copeland Compressors											
KMHA005H2	ARE59C3	1/2	5,420	4,440	10.2	5.0	-	18 x 27 x 16 1/8	3/8	1/2	75
KMHA008H2	RS47C2	3/4	7,290	5,910	17.2	8.5	-	18 x 27 x 16 1/8	3/8	5/8	97
KMHA011H2	RS70C1	1	10,600	8,500	20.0	8.4	5.8	18 x 27 x 16 1/8	3/8	5/8	120
KMHA015H2	CR18KQ	1 1/2	14,700	11,500	-	10.6	7.3	19 7/8 x 27 x 16 1/8	3/8	5/8	137
KMHA020H2	CR24KQ	2	19,800	15,800	-	16.3	9.5	33 x 29 1/4 x 19 5/8	3/8	5/8	199
KMHA025H2	CR32KQ	2 1/2	26,200	21,400	-	20.2	12.2	33 x 29 1/4 x 19 5/8	3/8	7/8	210
KMHA031H2	CR37KQ	3	29,400	23,900	-	21.9	13.5	33 x 29 1/4 x 19 5/8	1/2	5/8	210
KMHA035H2	CR41KQ	3 1/2	32,100	26,300	-	22.8	15.8	33 x 29 1/4 x 19 5/8	1/2	7/8	214
KMHA040H2	CR53KQ	4	43,700	35,500	-	34.6	22.5	43 1/2 x 38 5/8 x 29 1/2	1/2	1 1/8	285
KMHA050H2	CRN5-0500	5	50,100	41,200	-	40.6	26.1	43 1/2 x 38 5/8 x 29 1/2	1/2	1 1/8	319
Bristol Compressors											
KMHS011H2	H29B14U	1	10,900	8,340	-	10.1	-	18 x 27 x 16 1/8	3/8	5/8	120
KMHS015H2	H29B18U	1 1/2	14,500	11,200	-	11.7	-	19 7/8 x 27 x 16 1/8	3/8	5/8	137
KMHS020H2	H29B24U	2	19,800	15,200	-	16.3	11.5	33 x 29 1/4 x 19 5/8	3/8	5/8	199
KMHS031H2	H29B35U	3	28,700	23,000	-	21.9	13.8	33 x 29 1/4 x 19 5/8	1/2	7/8	210
KMHS035H2	H23A423	3 1/2	32,200	25,800	-	26.1	17.1	33 x 29 1/4 x 19 5/8	1/2	7/8	214
KMHS040H2	H23A543	4	43,400	34,700	-	38.2	23.7	43 1/2 x 38 5/8 x 29 1/2	1/2	1 1/8	285
KMHS050H2	H23A623	5	49,000	39,700	-	39.8	27.7	33 x 29 1/4 x 19 5/8	1/2	1 1/8	319

R404A EXTENDED MEDIUM TEMPERATURE - 1/2 - 5 HP

Order Number	Compressor	HP	BTU/hr @ 95°F Ambient		MCA (60 Hz)			L x W x H (in)	Connections (in)		Ship Weight (lbs)
			35°F SST	25°F SST	115/1	208-230/1	208-230/3		Liquid	Suction	
Copeland Compressors											
KMHA006E6	RS43C2E	1/2	-	5,730	12.5	6.5	-	17 7/8 x 27 x 16 1/8	3/8	5/8	95
KMHA008E6	RS55C2E	3/4	-	6,960	15.9	7.3	-	17 7/8 x 27 x 16 1/8	3/8	5/8	95
KMHA009E6	RS64C2E	1	-	8,280	-	14.7	9.2	17 7/8 x 27 x 16 1/8	3/8	5/8	95
KMHA010E6	RS70C1E	1	-	9,050	-	8.4	5.8	17 7/8 x 27 x 16 1/8	3/8	5/8	95
KMHA016E6	CS10K6E	1 1/2	-	13,200	-	12.8	8.9	17 7/8 x 27 x 16 1/8	3/8	5/8	146
KMHA021E6	CS12K6E	2	-	17,100	-	13.4	9.5	33 x 29 1/4 x 19 5/8	3/8	7/8	208
KMHA025E6	CS14K6E	2 1/2	-	19,900	-	15.1	11.4	33 x 29 1/4 x 19 5/8	1/2	7/8	212
KMHA031E6	CS18K6E	3	-	24,200	-	19.0	11.0	33 x 29 1/4 x 19 5/8	1/2	7/8	215
KMHA035E6	CS20K6E	3 1/2	-	26,400	-	21.9	13.9	33 x 29 1/4 x 19 5/8	1/2	7/8	216
KMHA040E6	CS27K6E	4	-	37,200	-	29.0	17.2	43 1/2 x 38 5/8 x 29 1/2	1/2	1 1/8	282
KMHA050E6	CS33K6E	5	-	40,400	-	36.6	23.1	43 1/2 x 38 5/8 x 29 1/2	1/2	1 1/8	287
Maneurop Compressors											
KMHD016M6	MTZ18	1 1/2	15600	13,400	-	10.9	7.7	17 7/8 x 27 x 16 1/8	3/8	5/8	146
KMHD021M6	MTZ22	2	20200	17,000	-	14.7	9.9	33 x 29 1/4 x 19 5/8	3/8	7/8	208
KMHD025M6	MTZ28	2 1/2	24600	20,500	-	21.1	13.9	33 x 29 1/4 x 19 5/8	1/2	7/8	212
KMHD031M6	MTZ36	3	29000	24,400	-	25.1	14.7	33 x 29 1/4 x 19 5/8	1/2	7/8	215
KMHD036M6	MTZ44	3 1/2	33800	28,500	-	25.9	18.7	33 x 29 1/4 x 19 5/8	1/2	7/8	221
KMHD040M6	MTZ50	4	44000	36,700	-	30.9	22.1	43 1/2 x 38 5/8 x 29 1/2	1/2	1 1/8	282
KMHD050M6	MTZ56	5	47000	39,700	-	36.2	22.9	43 1/2 x 38 5/8 x 29 1/2	1/2	1 1/8	287

KEEPRITE REFRIGERATION

KMH-LINE INDOOR/OUTDOOR COMPACT AIR COOLED HERMETIC CONDENSING UNITS

R404 LOW TEMPERATURE - 1/2 - 4 HP

Order Number	Compressor	HP	BTU/hr @ 95°F Ambient		MCA (60 Hz)			H x W x L (in)	Connections (in)		Ship Weight (lbs)
			0°F SST	-20°F SST	115/1	208-230/1	208-230/3		Liquid	Suction	
Copeland Compressors											
KMHA006L6	AFT22C1E	1/2	3,270	1,990	11.4	4.7		17 7/8 x 27 x 16 1/8	3/8	1/2	86
KMHA008L6	AFT26C1E	3/4	4,100	2,420	11.0	5.7		17 7/8 x 27 x 16 1/8	3/8	1/2	88
KMHA010L6	CF04K6E	1	5,910	3,320	12.9	8.1	8.1	17 7/8 x 27 x 16 1/8	3/8	5/8	120
KMHA020L6	CF06K6E	2	10,200	5,800	13.3	8.4	8.4	33 x 29 1/4 x 19 5/8	3/8	7/8	123
KMHA025L6	CF09K63	2 1/2	14,900	8,690	19.9	12.6	12.6	17 7/8 x 27 x 16 1/8	1/2	7/8	212
KMHA031L6	CF12K6E	3	18,700	11,400	24.1	14.9	14.9	17 7/8 x 27 x 16 1/8	1/2	7/8	215
Maneurop Compressors											
KMHD015L6	LTZ22	1 1/5	7,110	3,910	14.1	9.3	9.3	19 7/8 x 27 x 16 1/8	3/8	7/8	119
KMHD025L6	LTZ28	1 1/2	10,600	6,070	21.1	13.9	13.9	33 x 29 1/4 x 19 5/8	1/2	7/8	212
KMHD031L6	LTZ40	3	15,400	8,870	26.0	18.7	18.7	33 x 29 1/4 x 19 5/8	1/2	7/8	224
KMHD040L6	LTZ50	4	22,800	13,200	30.9	20.5	20.5	43 1/2 x 38 5/8 x 29 1/2	1/2	1 1/8	282

KEH-LINE INDOOR/OUTDOOR AIR COOLED HERMETIC CONDENSING UNITS

Indoor unit features weatherproof electrical control box with compressor contractor and fused control circuit; welded-hermetic compressor; high efficiency enhanced tube and fin condenser design; pre-formed piping; quiet fan motor operation; energy efficient PSC condenser fan motor; and electrical control panel away from air flow stream. Additional features of outdoor unit include outdoor weather-resistant housing with removable hood; flooded head pressure control (non-adjustable); liquid line drier, sight glass and crankcase heater.



R22 HIGH / MEDIUM TEMPERATURE - 1/2 - 7 1/2 HP

Order Number	Compressor	HP	BTU/hr @ 95°F Ambient		MCA			H x W x L (in)	Connections (in)		Ship Weight (lbs)
			35°F SST	25°F SST	115/1	208-230/1	208-230/3		460/3	Suction	
Copeland Compressors											
KEHA005H2	ART82C1	1/2	7,430	5,970	14.5	7.1	-	16 7/8 x 24 7/8 x 30 3/8	1/2	3/8	141
KEHA008H2	RS64C2	3/4	9,850	8,090	16.1	9.1	-	16 7/8 x 24 7/8 x 30 3/8	5/8	3/8	152
KEHA010H2	RS70C1	1	11,000	8,870	20.0	8.4	5.8	16 7/8 x 24 7/8 x 30 3/8	5/8	3/8	167
KEHA015H2	CR18KQ	1 1/2	16,600	13,000	-	11.2	7.9	19 7/8 x 36 3/8 x 30 3/8	5/8	3/8	277
KEHA020H2	CR24KQ	2	20,100	16,100	-	16.3	9.5	19 7/8 x 36 3/8 x 30 3/8	5/8	3/8	282
KEHA025H2	CR32KQ	2 1/2	26,700	21,800	-	20.2	12.2	19 7/8 x 36 3/8 x 30 3/8	7/8	3/8	392
KEHA029H2	CR37KQ	3	29,900	24,400	-	21.9	13.5	19 7/8 x 36 3/8 x 30 3/8	7/8	1/2	298
KEHA030H2	CR37KQ	3	33,000	26,600	-	22.9	14.5	30 3/8 x 47 3/8 x 32 7/8	7/8	3/8	394
KEHA035H2	CR41KQ	3 1/2	36,400	29,300	-	23.9	16.9	30 3/8 x 47 3/8 x 32 7/8	7/8	3/8	394
KEHA040H2	CR53KQ	4	44,600	36,200	-	34.6	22.5	30 3/8 x 47 3/8 x 32 7/8	1 1/2	3/8	405
KEHA050H2	CRN5-0500	5	53,700	43,900	-	40.6	26.1	30 3/8 x 47 3/8 x 32 7/8	1 1/2	3/8	415
Bristol Compressors											
KEHS010H2	H29B14U	1	11,500	8,730	-	10.1	-	16 7/8 x 24 7/8 x 30 3/8	5/8	3/8	167
KEHS015H2	H29B18U	1 1/2	16,400	12,400	-	12.4	-	19 7/8 x 36 3/8 x 30 3/8	-	-	-
KEHS020H2	H29B24U	2	20,200	15,500	-	16.3	11.5	19 7/8 x 36 3/8 x 30 3/8	5/8	3/8	282
KEHS029H2	H20B35U	3	29,300	23,400	-	21.9	13.9	19 7/8 x 36 3/8 x 30 3/8	7/8	3/8	298
KEHS035H2	H23A423	3 1/2	36,300	28,600	-	27.1	18.1	30 3/8 x 47 3/8 x 32 7/8	-	-	-
KEHS040H2	H23A543	4	44,300	35,400	-	38.2	23.7	30 3/8 x 47 3/8 x 32 7/8	1 1/2	3/8	405
KEHS050H2	H23A623	5	52,200	41,900	-	39.8	27.7	30 3/8 x 47 3/8 x 32 7/8	1 1/2	3/8	415
Maneurop Compressors											
KEHD060H2	MT72	6	57,900	47,100	-	-	27.0	13.5	1 1/8	5/8	427
KEHD075H2	MT100	7 1/2	78,700	63,300	-	-	36.6	18.7	1 1/8	5/8	577

KEEPRITE REFRIGERATION

KEH-LINE INDOOR/OUTDOOR AIR COOLED HERMETIC CONDENSING UNITS

R404A EXTENDED MEDIUM TEMPERATURE - 1/2 - 5 HP

Order Number	Compressor	HP	BTU/hr @ 95°F		MCA				H x W x L (in)	Connections (in)		Ship Weight (lbs)
			Ambient		115/1	208-230/1	208-230/3	460/3		Suction	Liquid	
			10°F SST	-10°F SST								
Copeland Compressors												
KEHA006E6	RS43C2E	1/2	4640	2584	12.6	6.5	-	-	16 7/8 x 24 7/8 x 30 3/8	5/8	3/8	149
KEHA008E6	RS55C2E	3/4	5730	3705	16.1	7.3	-	-	16 7/8 x 24 7/8 x 30 3/8	5/8	3/8	149
KEHA009E6	RS64C2E	1	6520	3819	14.8	9.2	-	-	16 7/8 x 24 7/8 x 30 3/8	5/8	3/8	152
KEHA010E6	RS70C1E	1	7060	4009	-	8.4	5.8	-	16 7/8 x 24 7/8 x 30 3/8	5/8	3/8	167
KEHA015E6	CS10K6E	1 1/2	10800	5349	-	13.4	9.5	4.6	19 7/8 x 36 3/8 x 30 3/8	5/8	3/8	279
KEHA020E6	CS12K6E	2	12300	6308	-	13.4	9.5	-	19 7/8 x 36 3/8 x 30 3/8	5/8	3/8	282
KEHA025E6	CS14K6E	2 1/2	14900	8066	-	15.1	11.4	5.9	19 7/8 x 36 3/8 x 30 3/8	7/8	1/2	286
KEHA029E6	CS18K6E	3	18100	9462	-	19.0	11.0	5.9	19 7/8 x 36 3/8 x 30 3/8	7/8	1/2	292
KEHA030E6	CS18K63	3	19900	10165	-	20.1	12.0	6.4	30 3/8 x 47 3/8 x 32 7/8	7/8	1/2	388
KEHA035E6	CS20K6E	3 1/2	21500	11685	-	23.0	14.9	6.9	30 3/8 x 47 3/8 x 32 7/8	7/8	1/2	389
KEHA040E6	CS27K3E	4	27200	14900	-	28.9	19.6	10.6	30 3/8 x 47 3/8 x 32 7/8	7/8	1/2	389
KEHA050E6	CS3353E	5	32200	18100	-	36.6	23.1	12.2	30 3/8 x 47 3/8 x 32 7/8	7/8	1/2	398

R404 MEDIUM TEMPERATURE - 1 1/2 - 7 1/2 HP

Order Number	Compressor	HP	BTU/hr @ 95°F		MCA				H x W x L (in)	Connections (in)		Ship Weight (lbs)
			Ambient		208-230/1	208-230/3	460/3	575/3		Suction	Liquid	
			35°F SST	25°F SST								
Maneurop Compressors												
KEHD015M6	MTZ18	1 1/2	18,100	15,300	11.5	8.4	-	-	19 7/8 x 36 3/8 x 30 3/8	5/8	3/8	279
KEHD020M6	MTZ22	2	20,600	17,300	14.7	9.9	5.4	4.1	19 7/8 x 36 3/8 x 30 3/8	5/8	3/8	282
KEHD025M6	MTZ28	2 1/2	25,100	20,900	21.1	13.9	6.6	5.3	19 7/8 x 36 3/8 x 30 3/8	7/8	1/2	286
KEHD030M6	MTZ36	3	33,500	27,700	26.1	15.7	8.4	6.7	30 3/8 x 47 3/8 x 32 7/8	7/8	1/2	388
KEHD035M6	MTZ44	3 1/2	40,700	33,500	27.0	19.7	8.7	7.7		7/8	1/2	389
KEHD040M6	MTZ50	4	44,800	37,400	30.9	22.1	10.7	8.9		7/8	1/2	389
KEHD050M6	MTZ56	5	48,000	40,500	36.2	22.9	10.7	9.7		7/8	1/2	398
KEHD060M6	MTZ72	6	60,300	51,200	-	27.0	13.5	-	30 3/8 x 47 3/8 x 32 7/8	1 1/8	1/2	427
KEHD075M6	MTZ100	7 1/2	81,300	68,000	-	36.6	18.7	14.5	41 7/8 x 55 5/8 x 35 7/8	1 1/8	5/8	577

R404 LOW TEMPERATURE - 1/2 - 7 1/2 HP

Order Number	Compressor	HP	BTU/hr @ 95°F		MCA				H x W x L (in)	Connections (in)		Ship Weight (lbs)
			Ambient		115/1	208-230/1	208-230/3	460/3		Suction	Liquid	
			-5°F SST	-25°F SST								
Copeland Compressors												
KEHA006L6	AFT22C1E	1/2	3,100	1,810	11.6	4.7	-	-	16 7/8 x 24 7/8 x 30 3/8	1/2	3/8	141
KEHA008L6	AFT26C1E	3/4	3,870	2,210	11.1	5.7	-	-	16 7/8 x 24 7/8 x 30 3/8	-	-	-
KEHA010L6	CF04K6E	1	5,960	2,350	-	12.9	8.1	-	16 7/8 x 24 7/8 x 30 3/8	5/8	3/8	165
KEHA020L6	CF06K6E	2	9,230	3,980	-	13.3	8.4	-	16 7/8 x 24 7/8 x 30 3/8	7/8	3/8	194
KEHA025L6	CF09K6E	2 1/2	14,400	6,110	-	19.9	12.6	6.8	19 7/8 x 36 3/8 x 30 3/8	7/8	3/8	281
KEHA030L6	CF12K6E	3	17,000	8,270	-	24.1	14.9	8.0	19 7/8 x 36 3/8 x 30 3/8	7/8	1/2	292
Maneurop Compressors												
KEHD015L6	LTZ22	1 1/2	8,200	4,710	-	14.1	9.3	-	19 7/8 x 36 3/8 x 30 3/8	7/8	3/8	190
KEHD025L6	LTZ28	2 1/2	12,800	7,460	-	21.0	13.9	6.6	19 7/8 x 36 3/8 x 30 3/8	7/8	3/8	281
KEHD030L6	LTZ40	3	17,700	10,500	-	26.0	18.7	7.8	19 7/8 x 36 3/8 x 30 3/8	7/8	1/2	292
KEHD040L6	LTZ50	4	26,100	15,600	-	30.9	20.5	10.7		1 1/8	1/2	389
KEHD065L6	LTZ88	6 1/2	41,600	23,300	-	-	36.6	18.7		1 1/8	1/2	427
KEHD075L6	LTZ100	7 1/2	51,000	30,300	-	-	45.4	22.7	41 7/8 x 55 5/8 x 35 7/8	1 1/8	5/8	577

KEEPRITE REFRIGERATION

KEZ-LINE INDOOR/OUTDOOR AIR COOLED SCROLL CONDENSING UNITS

Standard features of indoor unit include weatherproof electrical control box with compressor contractor and fused control circuit; welded hermetic scroll compressor; high efficiency enhanced tube and fin condenser design; energy efficient PSC condenser fan motor; receiver with fusible plug and liquid injection (low temperature models); and unit leak tested and shipped with helium holding charge. Outdoor unit has all standard features of indoor unit plus outdoor weather-resistant housing with removable hood; flooded head pressure control (non-adjustable); and crankcase heater.



R22 HIGH TEMPERATURE - 2 HP TO 7 HP

Order Number	Compressor	HP	BTU/hr @ 95°F Ambient		MCA				H x W x L (in)	Connections (in)		Ship Weight (lbs)
			35°F SST	25°F SST	208-230/1	208-230/3	460/3	575/3		Suction	Liquid	
Copeland Compressors												
KEZA020H2	ZB15KCE	2	21,900	18,200	20.7	12.2	6.9	-	19 7/8 x 36 3/8 x 30 3/8	7/8	3/8	300
KEZA025H2	ZB19KCE	2 1/2	24,900	20,700	23.5	13.6	6.9	-	19 7/8 x 36 3/8 x 30 3/8	7/8	3/8	320
KEZA030H2	ZB21KCE	3	33,100	27,400	28.0	17.2	8.7	7.2	30 3/8 x 47 3/8 x 32 7/8	1 1/8	1/2	410
KEZA035H2	ZB26KCE	3 1/2	37,600	31,300	28.0	19.5	10.0	7.2	30 3/8 x 47 3/8 x 32 7/8	1 1/8	1/2	415
KEZA040H2	ZB30KCE	4	43,200	36,000	35.6	21.7	10.5	8.4	30 3/8 x 47 3/8 x 32 7/8	1 1/8	1/2	420
KEZA050H2	ZB38KCE	5	53,400	44,400	41.1	29.7	13.1	10.5	30 3/8 x 47 3/8 x 32 7/8	1 1/8	1/2	425
KEZA060H2	ZB45KCE	6	65,000	53,900	-	30.2	15.5	12.4	30 3/8 x 47 3/8 x 32 7/8	1 3/8	5/8	470
KEZA075H2	ZB56KCE	7 1/2	75,000	62,600	-	39.6	20.7	15.2	41 7/8 x 55 5/8 x 35 7/8	1 3/8	5/8	480

R404A / R507 MEDIUM TEMPERATURE - 2 HP TO 7 HP

Order Number	Compressor	HP	BTU/hr @ 95°F Ambient		MCA				H x W x L (in)	Connections (in)		Ship Weight (lbs)
			35°F SST	25°F SST	208-230/1	208-230/3	460/3	575/3		Liquid	Suction	
KEZA020M6	ZB15KCE	2	21,400	18,200	20.7	12.2	6.9	-	19 7/8 x 36 3/8 x 30 3/8	7/8	3/8	300
KEZA025M6	ZB19KCE	2 1/2	26,700	22,700	23.5	13.6	6.9	-	19 7/8 x 36 3/8 x 30 3/8	7/8	1/2	320
KEZA030M6	ZB21KCE	3	33,600	28,400	28.0	17.2	8.7	7.2	30 3/8 x 47 3/8 x 32 7/8	1 1/8	1/2	410
KEZA035M6	ZB26KCE	3 1/2	38,300	32,500	31.6	19.5	10.0	8.0	30 3/8 x 47 3/8 x 32 7/8	1 1/8	1/2	415
KEZA040M6	ZB30KCE	4	42,800	36,300	35.6	21.7	10.5	8.4	30 3/8 x 47 3/8 x 32 7/8	1 1/8	1/2	420
KEZA050M6	ZB38KCE	5	53,400	45,400	41.0	29.7	13.1	10.5	30 3/8 x 47 3/8 x 32 7/8	1 1/8	1/2	425
KEZA060M6	ZB45KCE	6	65,200	55,200	-	30.2	15.5	12.4	30 3/8 x 47 3/8 x 32 7/8	1 3/8	5/8	470
KEZA075M6	ZB56KCE	7	76,100	64,900	-	39.6	20.7	15.2	41 7/8 x 55 5/8 x 35 7/8	1 3/8	5/8	480

R404A / R507 LOW TEMPERATURE - 2 HP TO 10 HP

Order Number	Compressor	HP	BTU/hr @ 95°F Ambient		MCA				H x W x L (in)	Connections (in)		Ship Weight (lbs)
			-10°F SST	-30°F SST	208-230/1	208-230/3	460/3	575/3		Liquid	Suction	
KEZA020L6	ZF06K4E	2	9,600	6,200	17.5	12.1	-	-	19 7/8 x 36 3/8 x 30 3/8	3/8	7/8	315
KEZA025L6	ZF08K4E	2 1/2	12,200	7,900	21.6	13.2	6.9	-	19 7/8 x 36 3/8 x 30 3/8	3/8	7/8	335
KEZA030L6	ZF09K4E	3	13,500	8,800	21.6	15.0	7.7	5.9	19 7/8 x 36 3/8 x 30 3/8	3/8	7/8	425
KEZA035L6	ZF11K4E	3 1/2	16,300	10,700	57.0	18.1	9.5	6.8	19 7/8 x 36 3/8 x 30 3/8	1/2	1 1/8	430
KEZA045L6	ZF13K4E	4 1/2	19,200	12,200	35.6	20.9	11.4	11.2	30 3/8 x 47 3/8 x 32 7/8	1/2	1 1/8	435
KEZA055L6	ZF15K4E	5 1/2	23,100	15,000	41.9	28.9	13.1	10.8	30 3/8 x 47 3/8 x 32 7/8	1/2	1 1/8	440
KEZA060L6	ZF18K4E	6	28,000	18,300	-	32.0	12.7	10.8	30 3/8 x 47 3/8 x 32 7/8	1/2	1 1/8	485
KEZA075L6	ZF24K4E	7 1/2	34,500	22,100	-	39.6	20.7	12.0	41 7/8 x 55 5/8 x 35 7/8	5/8	1 3/8	495
KEZA100L6	ZF33K4E	10	46,900	29,900	-	56.6	27.5	21.0	41 7/8 x 55 5/8 x 35 7/8	5/8	1 3/8	545

KEEPRITE REFRIGERATION

KES-LINE INDOOR/OUTDOOR AIR COOLED SEMI-HERMETIC CONDENSING UNITS

Standard features of indoor unit include weatherproof electrical control box with compressor contractor and fused control circuit; solid mounted accessible semi-hermetic compressor up to 2 HP models; spring mounted accessible semi-hermetic compressor with suction and discharge vibration eliminator on 3 HP and over models; high efficiency enhanced tube and fin condenser design; energy efficient PSC condenser fan motor; receiver with fusible plug and liquid shut off valve; adjustable dual high/low pressure control; suction service valve; pre-formed copper tubing; unit lead tested and shipped with helium holding charge. Outdoor unit includes all standard features of indoor unit plus outdoor weather-resistant housing with removable hood; flooded head pressure control (non adjustable); and crankcase heater.



R22 HIGH / MEDIUM TEMPERATURE - 1/2 HP TO 7 1/2 HP

Order Number	Compressor	HP	BTU/hr @ 95°F		MCA				H x W x L (in)	Connections (in)		Ship Weight (lbs)
			Ambient		208-230/1	208-230/3	460/3	575/3		Suction	Liquid	
			35°F SST	25°F SST								
KESA005H2	HAG2-0500	1/2	5,480	4,390	5.5	3.5	-	-	16 7/8 x 24 7/8 x 30 3/8	1/2	3/8	215
KESA008H2	KAN2-0075	1	8,550	6,920	8.1	4.9	-	-	16 7/8 x 24 7/8 x 30 3/8	1/2	3/8	240
KESA010H2	KAR2-0100	1	11,700	9,530	9.8	5.9	-	-	16 7/8 x 24 7/8 x 30 3/8	5/8	3/8	270
KESA015H2	KAGB-0150	1 1/2	14,900	12,000	13.1	8.0	3.7	-	19 7/8 x 36 3/8 x 30 3/8	7/8	3/8	310
KESA020H2	KAKB-0200	2	20,300	16,600	14.4	9.6	4.4	-	19 7/8 x 36 3/8 x 30 3/8	7/8	1/2	320
KESA030H2	ERF1-0310	3	33,290	27,110	23.4	15.7	8.9	-	30 3/8 x 47 3/8 x 32 7/8	1 1/8	1/2	477
KESA040H2	NRB2-0400	4	46,060	37,110	-	28.4	15.0	-	30 3/8 x 47 3/8 x 32 7/8	1 1/8	1/2	542
KESA050H2	2DC3-0500	5	54,650	44,280	39.5	30.0	14.1	10.5	41 7/8 x 55 5/8 x 35 7/8	1 3/8	5/8	766
KESA051H2	2DD3-0500	5	62,110	50,650	-	30.0	14.2	10.8	41 7/8 x 55 5/8 x 35 7/8	1 3/8	5/8	769
KESA075H2	2DL3-0750	7 1/2	75,230	62,010	-	41.6	18.4	17.4	41 7/8 x 55 5/8 x 35 7/8	1 3/8	5/8	780
KESA076H2	2DA3-0750	7 1/2	83,080	68,890	-	42.1	18.7	17.5	-	1 3/8	5/8	780

R22 MEDIUM TEMPERATURE - 1/2 HP TO 5 HP

Order Number	Compressor	HP	BTU/hr @ 95°F		MCA				H x W x L (in)	Connections (in)		Ship Weight (lbs)
			Ambient		208-230/1	208-230/3	460/3	575/3		Suction	Liquid	
			25°F SST	5°F SST								
KESA005M2	HAJ1-0050	1/2	4,880	3,050	5.1	3.3	-	-	16 7/8 x 24 7/8 x 30 3/8	1/2	3/8	215
KESA008M2	KAE2-0075	1	7,560	4,800	7.3	4.8	-	-	16 7/8 x 24 7/8 x 30 3/8	5/8	3/8	240
KESA010M2	KAM2-0100	1	10,600	6,560	9.9	6.1	4.4	-	16 7/8 x 24 7/8 x 30 3/8	5/8	3/8	270
KESA021M2	ERC1-0200	2	18,300	11,000	14.4	9.6	5.1	4.5	19 7/8 x 36 3/8 x 30 3/8	7/8	1/2	390
KESA030M2	3RA1-0310	3	30,990	19,850	14.7	18.5	9.4	-	30 3/8 x 47 3/8 x 32 7/8	1 1/8	1/2	486
KESA050M2	NRM1-0500	5	52,400	33,690	24.4	32.5	16.2	12.4	41 7/8 x 55 5/8 x 35 7/8	1 1/8	1/2	738

KEEPRITE REFRIGERATION

KES-LINE INDOOR/OUTDOOR AIR COOLED SEMI-HERMETIC CONDENSING UNITS



R404A / R507 HIGH/MEDIUM TEMPERATURE - 5 HP TO 7 1/2 HP

Order Number	Compressor	HP	BTU/hr @ 95°F Ambient		MCA				H x W x L (in)	Connections (in)		Ship Weight (lbs)
			35°F SST	25°F SST	208-230/3	460/3	575/3	Suction		Liquid		
KESA050H6	2DC3-050E	5	54,810	45,240	30.0	14.1	10.5	41 7/8 x 55 5/8 x 35 7/8	1 1/8	5/8	766	
KESA051H6	2DD3-050E	5	63,520	52,880	30.0	14.2	10.8	41 7/8 x 55 5/8 x 35 7/8	1 1/8	5/8	769	
KESA075H6	2DL3-075E	7 1/2	73,950	62,190	41.6	18.4	17.4	41 7/8 x 55 5/8 x 35 7/8	1 3/8	5/8	780	
KESA076H6	2DA3-075E	7 1/2	81,690	69,480	42.1	18.7	17.5	-	1 3/8	5/8	780	

R404A / R507 MEDIUM TEMPERATURE - 1/2 HP TO 4 HP

Order Number	Compressor	HP	BTU/hr @ 95°F Ambient		MCA				H x W x L (in)	Connections (in)		Ship Weight (lbs)
			35°F SST	25°F SST	208-230/1	208-203/3	460/3	575/3		Suction	Liquid	
KESA005M6	HAJA-005E	1/2	5,040	3,250	5.1	3.3	-	16 7/8 x 24 7/8 x 30 3/8	1/2	3/8	215	
KESA010M6	KARB-010E	1	9,360	6,300	9.8	5.9	-	16 7/8 x 24 7/8 x 30 3/8	5/8	3/8	270	
KESA020M6	KAKA-0203	2	15,400	10,200	14.4	9.6	4.4	19 7/8 x 36 3/8 x 30 3/8	7/8	1/2	320	
KESA021M6	ERCA-021E	2	19,400	12,700	-	12.1	5.5	19 7/8 x 36 3/8 x 30 3/8	7/8	1/2	390	
KESA030M6	ERFA-031E	3	28,360	18,700	23.4	17.6	8.4	30 3/8 x 47 3/8 x 32 7/8	7/8	1/2	477	
KESA035M6	3RAA-031E	3 1/2	34,730	22,100	-	19.9	9.0	30 3/8 x 47 3/8 x 32 7/8	1 1/8	5/8	487	
KESA040M6	NRB2-040E	4	38,350	24,600	-	29.4	12.4	30 3/8 x 47 3/8 x 32 7/8	1 1/8	5/8	542	

R404A / R507 LOW TEMPERATURE - 1/2 HP TO 7 1/2 HP

Order Number	Compressor	HP	BTU/hr @ 95°F Ambient		MCA				H x W x L (in)	Connections (in)		Ship Weight (lbs)
			-10°F SST	-30°F SST	208-230/1	208-230/3	460/3	575/3		Suction	Liquid	
KESA005L6	KANB-005E	1/2	2,750	1,300	5.0	3.3	-	16 7/8 x 24 7/8 x 30 3/8	1/2	3/8	240	
KESA008L6	KAMB-007E	1	4,580	2,520	7.5	4.5	-	16 7/8 x 24 7/8 x 30 3/8	5/8	3/8	270	
KESA010L6	KAJB-010E	1	5,760	3,330	9.1	6.3	-	16 7/8 x 24 7/8 x 30 3/8	7/8	3/8	290	
KESA015L6	KALB-015E	1 1/2	8,960	5,130	13.5	9.4	4.9	19 7/8 x 36 3/8 x 30 3/8	7/8	3/8	315	
KESA020L6	EADB-021E	2	10,100	5,550	13.6	9.6	-	19 7/8 x 36 3/8 x 30 3/8	7/8	3/8	385	
KESA021L6	EAVB-021E	2	11,400	6,500	19.5	10.4	5.5	19 7/8 x 36 3/8 x 30 3/8	7/8	1/2	390	
KESA030L6	LAHA-032E	3	18,630	9,820	23.0	18.1	8.6	30 3/8 x 47 3/8 x 32 7/8	1 1/8	1/2	493	
KESA031L6	NRD1-032E	3	21,060	12,350	36.7	22.5	11.6	-	1 1/8	1/2	562	
KESA032L6	LACA-032E	3	-	12,670	21.5	18.1	8.6	-	1 1/8	1/2	491	
KESA035L6	2DF3-030E	3 1/2	24,080	14,140	-	23.1	11.2	30 3/8 x 47 3/8 x 32 7/8	1 1/8	1/2	588	
KESA040L6	2DL3-040E	4	29,510	17,520	-	35.0	13.9	30 3/8 x 47 3/8 x 32 7/8	1 1/8	1/2	618	
KESA060L6	2DB3-060E	6	36,760	21,860	-	37.4	17.7	41 7/8 x 55 5/8 x 35 7/8	1 3/8	5/8	781	
KESA061L6	3DADA060E	6	40,480	24,580	-	40.0	18.2	41 7/8 x 55 5/8 x 35 7/8	1 3/8	5/8	819	
KESA075L6	3DB3A075E	7 1/2	46,550	28,760	-	41.5	21.2	41 7/8 x 55 5/8 x 35 7/8	1 3/8	5/8	827	

KEEPRITE REFRIGERATION

K-LINE INDOOR/OUTDOOR AIR COOLED SEMI-HERMETIC CONDENSING UNITS

Offers the most current high efficiency accessible hermetic compressors available today. Consisting of a generously sized copper tube and aluminum fin condenser coil, the K-line allows maximum operational efficiency with low refrigerant charges. A weatherproof electrical control panel is standard with compressor contractor and fused control circuit. Dual high/low pressure and oil safety control included where required. The addition of a lightweight aluminum weather resistant housing, sealed liquid line filter drier and sight glass, flooded head pressure control, compressor crankcase heater, and pump-down toggle switch make this unit an ideal choice for your outdoor installation needs. Available in sizes from 3-30 HP, with options designed to meet your special needs. R134A models available.



R22 HIGH / MEDIUM TEMPERATURE - 3 - 30 HP

Order Number	Compressor	HP	BTU/hr @ 95°F Ambient		MCA				H x W x L (in)	Connections (in)		Ship Weight (lbs)
			35°F SST	25°F SST	208-230/1	208-230/3	460/3	575/3		Liquid	Suction	
K300M8	ERF1-031E	3	31,000	25,330	24.5	17.8	9.6	8.1	35 1/2 x 38 1/4 x 46	1/2	1 1/8	505
K310M8	3RAA-031E	3+	-00	31,460	26.9	21	10.5	-	35 1/2 x 48 1/4 x 46	5/8	1 1/8	590
K500M8	2DC3-050E	5	54,465	44,970	-	37.1	17.6	14.3	36 1/2 x 58 1/4 x 46	5/8	1 3/8	810
K510M8	2DD3-050E	5+	61,780	51,140	-	37.1	17.7	14.5	36 1/2 x 58 1/4 x 46	5/8	1 3/8	810
K750M8	2DL3-075E	7.5	78,265	64,620	-	47.9	21.5	20.7	39 x 68 1/4 x 55	5/8	1 3/8	1,020
K760M8	2DA3A075E	7.5+	104,885	86,580	-	59.7	29.2	24.8	39 x 68 1/4 x 55	5/8	1 3/8	1,130
K1000M8	3DB3A100E	10	123,905	102,100	-	62.9	29.2	24.8	49 x 68 1/4 x 57	7/8	1 5/8	1,210
K2000M8	4DA3-200E	20	184,300	151,290	-	95.1	47.6	37.2	53 x 98 1/4 x 66 1/4	7/8	1 5/8	1,620
K2500M8	4DH3-250E	25	233,340	193,000	-	115.1	57.7	49.3	53 x 98 1/4 x 66 1/4	1 1/8	2 1/8	1,710
K3000M8	4DJ3-300E	30	258,700	214,000	-	130.1	65.1	55.4	53 x 98 1/4 x 66 1/4	1 1/8	2 1/8	1,710

Note: For 90°F ambient add 3% to capacity.

R404A / 507 LOW TEMPERATURE - 3 - 30 HP

Order Number	Compressor	HP	BTU/hr @ 95°F Ambient		MCA				H x W x L (in)	Connections (in)		Ship Weight (lbs)
			-10°F SST	-30°F SST	208-230/1	208-230/3	460/3	575/3		Liquid	Suction	
K300L6	LAHA-032E	3	18,100	9,500	24.1	19.2	9.1	-	35 1/2 x 38 1/4 x 46	1/2	1 1/8	540
K350L6	2DF3-030E	3.5	24,270	13,990	-	21.4	12.4	10.7	35 1/2 x 48 1/4 x 46	1/2	1 1/8	685
K400L6	2DL3-040E	4	28,440	16,800	-	37.5	15	11.9	35 1/2 x 48 1/4 x 46	1/2	1 1/8	685
K600L6	2DA3-060E	6	33,100	19,810	-	45.2	17.3	16	35 1/2 x 58 1/4 x 46	5/8	1 3/8	760
K610L6	3DA3-060E	6+	39,170	23,500	-	47.1	21.7	17.7	35 1/2 x 58 1/4 x 46	5/8	1 3/8	850
K750L6	3DB3-075E	7.5	46,170	27,810	-	48.8	24.7	18.4	35 1/2 x 58 1/4 x 46	5/8	1 3/8	880
K900L6	3DF3-090E	9	57,480	34,690	-	57.2	25.3	24.8	39 x 68 1/4 x 55	5/8	1 3/8	1,090
K1000L6	3DS3-100E	10	65,510	39,790	-	60.9	27.5	25.2	49 x 68 1/4 x 57	5/8	1 3/8	1,125
K1500L6	4DL3-150E	15	86,250	53,870	-	74.2	37.1	30.3	49 x 68 1/4 x 57	7/8	2 1/8	1,260
K2000L6	4DT3-220E	22	103,120	63,800	-	90.9	45.5	34.5	49 x 68 1/4 x 57	1 1/8	2 1/8	1,330
K2500L6	6DL3-270E	27	128,990	78,430	-	113.6	56.8	46.9	53 x 98 1/4 x 66 1/4	1 1/8	2 1/8	1,443
K3000L6	6DT3-300E	30	146,160	88,320	-	132.1	66.1	55.8	53 x 98 1/4 x 66 1/4	1 1/8	2 1/8	1,775

Note: For 90°F ambient add 3% to capacity.

LARKIN, INC.

REACH-IN EVAPORATORS

Ideal for refrigerated reach-ins. It mounts to the top of the refrigerator and discharges cold air against the back wall. With air flow pattern, the air is not blasted on the product, but is diffused along the back wall and then gently drawn across the product as it returns to the unit; thus, uniform temperatures are maintained throughout the refrigerator. In addition, door sweating and refrigeration loss due to door opening is greatly reduced because the air is not discharged against the doors. Mounting is made easy by means of aluminum hangers that automatically space the unit the correct distance from the back wall. The expansion valve fits inside, out of sight. Available with an optional protective coil coating (designated as model CK) for corrosion protection.



MODEL C HIGH PROFILE AIR DEFROST UNIT COOLERS

Order Number	BTU/hr 10°F TD	CFM	Fan Qty	Motor FLA		L x H x D (in)	Connections (in)			Ship Weight (lbs)
				115/1	208-230/1		Liquid	Suction	Drain	
C-13-AG	1,300	235	1	1	0.5	14 1/4 x 8 7/8 x 13 3/4	1/2	3/8	1/2	12
C-17-AG	1,700	250	1	1	0.5	17 1/4 x 8 7/8 x 13 3/4	1/2	3/8	1/2	12
C-23-AG	2,300	265	1	1	0.5	22 3/4 x 8 7/8 x 13 3/4	1/2	3/8	1/2	17
C-30-AG, BG	3,000	480	2	2	1	27 3/4 x 8 7/8 x 13 3/4	1/2	1/2	1/2	21
C-43-AG, BG	4,300	520	2	2	1	38 x 8 7/8 x 13 3/4	1/2	1/2	1/2	33

MODEL VAK V-PROFILE AIR DEFROST COATED UNIT COOLERS

A deluxe unit designed for use in small reach-ins, back bar and under counter refrigerators, an many other applications where a small, compact unit is required. The thermal expansion valve mounts inside of the unit. The unit can be mounted from the ceiling or off the back or end walls, or can be used in mullion application. **Coils are stocked with standard protective coating for corrosion protection.**

Order Number	BTU/hr 10°F TD	CFM	Fan Qty	Motor FLA		L x H x D (in)	Connections (in)			Ship Weight (lbs)
				115/1	208-230/1		Liquid	Suction	Drain	
VAK-06-AG	600	135	1	0.8	0.4	12 1/2 x 6 7/8 x 8 1/8	1/2	3/8	1/2	7
VAK-08-AG	800	130	1	0.8	0.4	12 1/2 x 6 7/8 x 8 1/8	1/2	3/8	1/2	7
VAK-12-AG	1,200	265	1	1.6	0.8	18 x 8 x 8 1/8	1/2	3/8	1/2	12
VAK-17-AG	1,700	245	2	1	0.5	14 x 9 3/4 x 10 1/2	1/2	1/2	1/2	9

MODEL RAMK REVERSE AIR MULLION UNIT COOLERS

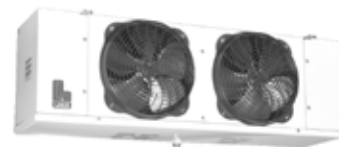
Ideal for use in under-counter reach-in refrigeration. The thin line design allows the unit to be mounted behind a mullion with sufficient clearance for the installation of tray slides. RAMK or reverse air mullion draws air through the coil at the bottom and discharges the cooled air out the top. This arrangement allows the coldest air to be in contact with drop-in trays. The versatile design of the compact mullion is also adaptable for mounting on the back wall or ends of a beverage cooler. The finned coil of RAMK is protected by special coating as standard.



Order Number	BTU/hr 10°F TD	CFM	Fan Qty	Motor FLA		L x H x D (in)	Connections (in)			Ship Weight (lbs)
				115/1	208-230/1		Liquid	Suction	Drain	
RAMK-13-AG	1,300	180	2	1.6	0.8	15 5/8 x 17 3/4 x 5 5/8	1/2	3/8	5/8	15
RAMK-17-AG	1,700	170	2	1.6	0.8	15 5/8 x 19 3/4 x 5 5/8	1/2	3/8	5/8	17
RAMK-23-AG	2,300	255	3	2.4	1.2	22 x 19 3/4 x 5 5/8	1/2	3/8	5/8	23

LCA SERIES AIR DEFROST COMPAK UNIT COOLERS

Air defrost with shaded pole motors; more capacities 5,700, 7,000 and 25,000 BTU/hr models; more accessible-electrical and piping on opposite ends, access provided through large access panels; Schrader valve on suction header; extended warranty for oil construction; 3 years protection against tube sheet leaks; drain fitting allows removal of drain pan without removal of hard piping; moulded fan guard design made of strong plastic material or optional wire fan guard for air diffusion; internally enhanced tubing.



AIR DEFROST MODELS

115V

Order Number	BTU/hr 10°F TD	CFM	Fan Qty	Coil Connections (in)		H x W x D (in)	Ship Weight (lbs)
				Inlet	Suction		
LCA6-40AB	4,400	800	1	1/2	1/2	14 3/4 x 30 1/2 x 14 15/16	27
LCA6-51AB	5,100	800	1	1/2	5/8	14 3/4 x 30 1/2 x 14 15/16	28
LCA6-62AB	6,200	800	1	1/2	5/8	14 3/4 x 30 1/2 x 14 15/16	31
LCA6-72AB	7,200	1,500	2	1/2	5/8	14 3/4 x 42 1/2 x 14 15/16	40
LCA6-90AB	9,000	1,500	2	1/2	5/8	14 3/4 x 42 1/2 x 14 15/16	44
LCA6-110AB	11,000	1,500	2	1/2	7/8	14 3/4 x 42 1/2 x 14 15/16	46
LCA6-135AB	13,500	2,250	3	1/2	5/8	14 3/4 x 58 1/2 x 14 15/16	59
LCA6-160AB	16,000	2,250	3	1/2	7/8	14 3/4 x 58 1/2 x 14 15/16	63
LCA6-185AB	18,500	3,000	4	1/2	7/8	14 3/4 x 74 1/2 x 14 15/16	74
LCA6-215AB	21,500	3,000	4	1/2	7/8	14 3/4 x 74 1/2 x 14 15/16	78
LCA6-260AB	26,000	3,750	5	1/2	7/8	14 3/4 x 90 1/2 x 14 15/16	88
LCA6-310AB	31,000	4,500	6	1/2	1 3/8	14 3/4 x 106 1/2 x 14 15/16	108
LCA6-350AB	35,000	4,500	6	1/2	1 3/8	14 3/4 x 106 1/2 x 14 15/16	110

Note: Air throw is 30' based on 8' ceiling with no obstructions where velocity drops to 50 fpm. Molded fan guards used. Note: All fan diameters are 12". Note: Also available in 208-230V, 1 Ph.

LOW PROFILE ELECTRIC DEFROST UNIT COOLERS

208/230V, 1 PHASE WITH SHADED POLE MOTORS

Order Number	BTU/hr 10° TD @ -20°F	CFM	Fan Qty	Coil Connections (in)		H x L x D (in)	Ship Weight (lbs)
				Inlet	Suction		
LCE6-35BB	3,500	800	1	1/2	5/8	14 3/4 x 42 1/2 x 14 15/16	45
LCE6-43BB	4,300	800	1	1/2	5/8	14 3/4 x 42 1/2 x 14 15/16	49
LCE6-65BB	6,500	1,500	2	1/2	5/8	14 3/4 x 42 1/2 x 14 15/16	63
LCE6-76BB	7,600	1,500	2	1/2	5/8	14 3/4 x 42 1/2 x 14 15/16	67
LCE6-94BB	9,400	1,500	2	1/2	7/8	14 3/4 x 42 1/2 x 14 15/16	70
LCE6-120BB	12,000	2,250	3	1/2	7/8	14 3/4 x 58 1/2 x 14 15/16	80
LCE6-160BA	16,000	3,000	4	1/2	7/8	14 3/4 x 74 1/2 x 14 15/16	104
LCE6-200BA	20,000	3,750	5	1/2	1 3/8	14 3/4 x 90 1/2 x 14 15/16	117
LCE6-240BA	24,000	4,500	6	1/2	1 3/8	14 3/4 x 106 1/2 x 14 15/16	142
LCE6-270BA	27,000	4,500	6	1/2	1 3/8	14 3/4 x 106 1/2 x 14 15/16	161

LOW PROFILE HOT GAS DEFROST UNIT COOLERS

208/230V, 1 PHASE WITH SHADED POLE MOTORS

Order Number	BTU/hr 10° TD	CFM	Fan Qty	Coil Connections (in)		H x L x D (in)	Ship Weight (lbs)
				Inlet	Suction		
LCH6-35AB	3,500	800	1	1/2	5/8	14 3/4 x 42 1/2 x 14 15/16	65
LCH6-43AB	4,300	800	1	1/2	5/8	14 3/4 x 42 1/2 x 14 15/16	71
LCH6-65AB	6,500	1,500	2	1/2	5/8	14 3/4 x 42 1/2 x 14 15/16	82
LCH6-76AB	7,600	1,500	2	1/2	5/8	14 3/4 x 42 1/2 x 14 15/16	86
LCH6-95AB	9,400	1,500	2	1/2	7/8	14 3/4 x 42 1/2 x 14 15/16	91
LCH6-120AB	12,000	2,250	3	1/2	7/8	14 3/4 x 58 1/2 x 14 15/16	100
LCH6-160AB	16,000	3,000	4	1/2	7/8	14 3/4 x 74 1/2 x 14 15/16	110
LCH6-200AB	20,000	3,750	5	1/2	1 3/8	14 3/4 x 90 1/2 x 14 15/16	120
LCH6-240AB	24,000	4,500	6	1/2	1 3/8	14 3/4 x 106 1/2 x 14 15/16	130
LCH6-270AB	27,000	4,500	6	1/2	1 3/8	14 3/4 x 106 1/2 x 14 15/16	135

LARKIN INC.

LOW VELOCITY AIR DEFROST UNIT COOLERS

Features very low coil face velocity yet provides positive, quiet air movement. This combination assures even box temperatures and high humidity at the same time. Equal or outperform gravity coils but are far more economical to install. Their low, narrow construction was designed especially for installation between the rail beams in meat storage and aging rooms. The high humidity characteristics minimize shrinkage and dehydration of produce. Designed for the attractive appearance and easy cleaning necessary in food processing.



115V

Order Number	BTU/hr			Fan Qty	Motor FLA	Connections (in)			H x L x D (in)	Ship Weight (lbs)
	10°F TD	15°F TD	CFM		115/1	Liquid	Suction			
LFA-070	7,000	10,500	1,200	2	3.6	1/2	7/8	14 x 83 x 23 1/4	178	
LFA-087	8,700	13,000	1,200	2	3.6	1/2	7/8	14 x 83 x 23 1/4	189	
LFA-120	12,000	18,000	1,300	2	3.6	1/2	7/8	14 1/2 x 111 x 23 1/4	262	
LFA-135	13,500	20,250	1,300	2	3.6	1/2	7/8	14 1/2 x 111 x 19 1/2	262	
LFA-150	15,000	22,500	1,900	2	3.6	1/2	1 1/8	16 x 114 x 23 1/4	280	
LFA-170	17,000	25,500	1,900	2	3.6	1/2	1 1/8	16 x 114 x 19 1/2	285	
LFA-190	19,000	28,500	2,400	2	2.8#	1/2	1 1/8	16 1/2 x 134 x 23 1/4	298	
LFA-230	23,000	34,500	2,700	2	2.8#	1/2	1 1/8	16 1/2 x 153 x 19 1/2	366	
LFA-270	27,000	40,500	3,200	2	2.8#	1/2	1 3/8	20 x 158 x 28 1/4	405	

#: PSC motors. Note: All models require external equalized expansion valve. Room thermostat (289-1040) temperature range 0°F - 55°F. Note: Available in 115V or 230V, 1 Phase.

LOW VELOCITY ELECTRIC DEFROST UNIT COOLERS

Used in 25 - 32°F cooler applications. Defrosting is accomplished by stainless steel electric heating elements which fit into slots in the coil surface. The defrost cycle is time initiated, temperature terminated and provides a quick defrost without excessive temperature and humidity fluctuations in the cooler.

230V

Order Number	BTU/hr			Fan Qty	Motor FLA	Electric Defrost	Connections (in)			L x H x D (in)	Ship Weight (lbs)
	10°F TD	15°F TD	CFM		230/1	230/1	Liquid	Suction	Drain		
LFAE-070	7,000	10,500	1,200	2	1.8	11.5A	1/2	7/8	7/8	83 x 14 x 23 1/4	178
LFAE-087	8,700	13,050	1,200	2	1.8	11.5A	1/2	7/8	7/8	83 x 14 x 23 1/4	189
LFAE-120	12,000	18,000	1,300	2	1.8	16.7A	1/2	7/8	7/8	111 x 14 1/2 x 19 1/2	262
LFAE-150	15,000	22,500	1,900	2	1.8	16.7A	1/2	1 1/8	7/8	114 x 16 x 23 1/4	280
LFAE-190	19,000	28,500	2,400	2	1.4#	20.7A	1/2	1 1/8	7/8	134 x 16 1/2 x 23 1/4	298
LFAE-270	27,000	40,500	3,200	2	1.4#	24.8A	1/2	1 3/8	7/8	158 x 20 x 28 1/4	405

#: PSC motors. Note: Available in 115V or 230V, 1 Phase.

LOW VELOCITY HOT GAS DEFROST UNIT COOLERS

Has very low velocity yet provides positive, quiet air movement. This combination assures even box temperatures and high humidity at the same time. The hot gas defrost (reverse cycle) can be configured by individual system design or assembled with the factory designed kit. Either option makes LFAH a good choice for the applications where positive defrost is required in rooms 28 - 34°F. The low air movement assures even temperatures, a factor very important for product freshness. This unit is ideal for meat storage, floral boxes, vegetable and fruit storage and/or dough retarding storage. Has heavy gauge aluminum casings with a rust-free, all aluminum white case for an attractive look. Strong aluminum hanger bars are slotted for easy installation, and a double drain pan with electric heaters in the inner pan eliminating sweating or condensate flow problems.

230V

Order Number	BTU/hr			Fan Qty	Motor FLA	Connections (in)				L x H x D (in)	Ship Weight (lbs)
	10°F TD	15°F TD	CFM		230/1 FLA	Liquid	Suction	Hot Gas	Drain		
LFAH-070AE, BE	7,000	10,500	1,200	2	1.8	1/2	7/8	1/2	7/8	83 x 14 x 23 1/4	178
LFAH-087AE, BE	8,700	13,050	1,200	2	1.8	1/2	7/8	1/2	7/8	83 x 14 x 23 1/4	189
LFAH-120AE, BE	12,000	18,000	1,300	2	1.8	1/2	7/8	1/2	7/8	111 x 14 1/2 x 19 1/2	262
LFAH-135AE, BE	13,500	20,250	1,300	2	1.8	1/2	7/8	1/2	7/8	111 x 14 1/2 x 19 1/2	264
LFAH-150AE, BE	15,000	22,500	1,900	2	1.8	1/2	1 1/8	1/2	7/8	114 x 16 x 23 1/4	280
LFAH-170AE, BE	17,000	25,500	1,900	2	1.8	1/2	1 1/8	1/2	7/8	114 x 16 x 23 1/4	285
LFAH-190AE, BE	19,000	28,500	2,400	2	1.4*	1/2	1 1/8	1/2	7/8	134 x 16 1/2 x 23 1/4	298
LFAH-230AE, BE	23,000	34,500	2,700	2	1.4*	1/2	1 1/8	1/2	7/8	153 x 16 1/2 x 23 1/4	366
LFAH-270AE, BE	27,000	40,500	3,200	2	1.4*	1 1/8	1 3/8	1/2	7/8	158 x 20 x 28 1/4	405

*. PSC motors. Note: Available in 115V or 230V, 1 Ph.

Burnaby	604.298.4472	Interior BC	604.202.4853	Vancouver Island	604.282.0118	Calgary	403.214.2134	Edmonton	780.451.4744	Saskatchewan	306.373.9227
Kitchener	519.748.0961	St.Catharines	905.988.1724	Windsor	519.251.9925	North Bay	780.476.0800	Ottawa	613.742.0083	www.isc.tv	

LOW AIR FLOW AIR DEFROST UNIT COOLERS

Ideal for floral storage, fresh fruit and vegetables, dough retarding, fresh meat storage and preparations, and many other applications of 28°F and above. The low air flow and quiet fans are ideal for work room applications. The generous coil surface combined with close T.D. system balance provides high humidity characteristics to minimize product shrinkage and drying.

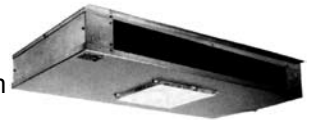


Order Number	BTU/hr 10°F TD	CFM	Motor FLA		L x H x D (in)	Connections (in)		Ship Weight (lbs)
			115/1/60	230/1/60		Liquid	Suction	
LWA-050	5,000	725	2.1	1.1	53 1/2 x 8 7/8 x 26 5/8	1/2	7/8	70
LWA-075	7,500	730	2.1	1.1	75 1/2 x 8 7/8 x 26 5/8	1/2	7/8	103
LWA-100	10,000	1,450	4.2	2.2	75 1/2 x 11 3/8 x 26 5/8	1/2	7/8	106
LWA-130	13,000	1,470	4.2	2.2	75 1/2 x 15 1/8 x 26 5/8	1 1/8	1 1/8	145
LWA-155	15,500	1,460	4.2	2.2	75 1/2 x 15 1/8 x 26 5/8	1 1/8	1 1/8	149
LWA-180	18,000	2,130	6.3	3.3	75 1/2 x 15 1/8 x 26 5/8	1 1/8	1 1/8	160
LWA-210	21,000	2,840	8.4	4.4	97 1/2 x 15 1/8 x 26 5/8	1 1/8	1 1/8	193
LWA-270	27,000	2,800	8.4	4.4	97 1/2 x 15 1/8 x 26 5/8	1 3/8	1 3/8	200
LWA-340	34,000	3,500	10.5	8.5	119 1/2 x 15 1/8 x 26 5/8	1 3/8	1 3/8	242

Note: All units have 1/4" OD external equalizer and 3/4" FPT drain connection. Note: Available in 115V or 230V, 1 Phase.

LOW AIR FLOW ELECTRIC DEFROST UNIT COOLERS

Ideal for floral storage, fresh fruit and vegetables, dough retarding, fresh meat storage and preparations, and many other applications of 28°F and above. The low air flow and quiet fans are ideal for work room applications. The generous coil surface combined with close T.D. system balance provides high humidity characteristics to minimize product shrinkage and drying.



Order Number	BTU/hr 10°F TD	CFM	Motor FLA		Heater Information		L x H x D (in)	Connections (in)		Ship Weight (lbs)
			115/1/60	230/1/60	Watts	230/1		Liquid	Suction	
LWE-050	5,000	725	2.1	1.1	2,000	8.7A	53 1/2 x 8 7/8 x 26 5/8	1/2	7/8	75
LWE-075	7,500	730	2.1	1.1	2,400	10.5A	75 1/2 x 8 7/8 x 26 5/8	1/2	7/8	108
LWE-100	10,000	1,450	4.2	2.2	2,800	12.2A	75 1/2 x 11 3/8 x 26 5/8	1/2	7/8	111
LWE-130	13,000	1,470	4.2	2.2	4,000	17.4A	75 1/2 x 15 1/8 x 26 5/8	1 1/8	1 1/8	150
LWE-155	15,500	1,460	4.2	2.2	4,000	17.4A	75 1/2 x 15 1/8 x 26 5/8	1 1/8	1 1/8	154
LWE-180	18,000	2,130	6.3	3.3	4,000	17.4A	75 1/2 x 15 1/8 x 26 5/8	1 1/8	1 1/8	157
LWE-210	21,000	2,840	8.4	4.4	5,200	22.6A	97 1/2 x 15 1/8 x 26 5/8	1 1/8	1 1/8	203
LWE-270	27,000	2,800	8.4	4.4	5,200	22.6A	97 1/2 x 15 1/8 x 26 5/8	1 3/8	1 3/8	208
LWE-340	34,000	3,500	10.5	5.5	7,000	30.4A	119 1/2 x 15 1/8 x 26 5/8	1 3/8	1 3/8	250

Note: All units have 1/2" OD external equalizer and 3/4" FPT drain connection. Note: Available in 115V or 230V, 1 Phase.

LOW AIR FLOW HOT GAS DEFROST UNIT COOLERS

Ideal for floral storage, fresh fruit and vegetables, dough retarding, fresh meat storage and preparations, and many other applications of 28°F and above. The low air flow and quiet fans are ideal for work room applications. The generous coil surface combined with close T.D. system balance provides high humidity characteristics to minimize product shrinkage and drying.



Order Number	BTU/hr 10°F TD	CFM	Motor FLA		Heater Information		L x H x D (in)	Connections (in)		Ship Weight (lbs)
			115/1/60	230/1/60	Watts	230/1		Liquid	Suction	
LWG-100	10,000	1,450	4.2	2.2	350	1.5A	75 1/2 x 11 3/8 x 26 5/8	1/2	7/8	131
LWG-130	13,000	1,470	4.2	2.2	500	2.2A	75 1/2 x 15 1/8 x 26 5/8	1 1/8	1 1/8	170
LWG-155	15,500	1,460	4.2	2.2	500	2.2A	75 1/2 x 15 1/8 x 26 5/8	1 1/8	1 1/8	174
LWG-180	18,000	2,130	6.3	3.3	500	2.2A	75 1/2 x 15 1/8 x 26 5/8	1 1/8	1 1/8	185
LWG-210	21,000	2,840	8.4	4.4	650	2.8A	97 1/2 x 15 1/8 x 26 5/8	1 1/8	1 1/8	223
LWG-270	27,000	2,800	8.4	4.4	650	2.8A	97 1/2 x 15 1/8 x 26 5/8	1 3/8	1 3/8	228
LWG-340	34,000	3,500	10.5	5.5	875	3.8A	119 1/2 x 15 1/8 x 26 5/8	1 3/8	1 3/8	270

Note: All units have 1/4"OD external equalizer and 3/4"FPT drain connection. Note: Available in 115V or 230V, 1 Ph.

LARKIN INC.

ACM, ECM SERIES CENTER MOUNT AIR/ELECTRIC DEFROST UNIT COOLERS

The Center Mount Unit Cooler is designed for cooler applications where space conservation is primary criterion. Features: dual drain pans, coil surface gives proper compressor balance, high-efficiency aluminum fins with full collars cover mechanically expanded copper tubes. Coils dehydrated and sealed at the factory.



ACM AIR DEFROST MODEL 115V 1 PHASE

Order Number	BTU/hr 10°F TD	CFM	Fan Qty	115/1 FLA	Connections (in)			L x H x D (in)	Ship Weight (lbs)
					Liquid	Suction	Drain		
ACM052AE	5,200	610	1	2.1	1/2 OD	7/8 OD	3/4 FPT	31 1/2 x 8 5/8 x 28 13/16	42
ACM076AE	7,600	1,300	2	4.2	1/2 OD	7/8 OD	3/4 FPT	53 1/2 x 8 5/8 x 28 13/16	64
ACM090AE	9,000	1,260	2	4.2	1/2 OD	7/8 OD	3/4 FPT	53 1/2 x 8 5/8 x 28 13/16	70
ACM102AE	10,200	1,220	2	4.2	1/2 OD	7/8 OD	3/4 FPT	53 1/2 x 8 5/8 x 28 13/16	83
ACM108AE	10,800	1,950	3	6.3	1/2 OD	7/8 OD	3/4 FPT	75 1/2 x 8 5/8 x 28 13/16	105
ACM134AE	13,400	1,890	3	6.3	1/2 OD	7/8 OD	3/4 FPT	75 1/2 x 8 5/8 x 28 13/16	117
ACM156AE	15,600	1,830	3	6.3	1/2 OD	7/8 OD	3/4 FPT	75 1/2 x 8 5/8 x 28 13/16	123
ACM179AE	17,900	2,520	4	8.4	1/2 OD	1 1/8 OD	3/4 FPT	97 1/2 x 8 5/8 x 28 13/16	149
ACM208AE	20,800	2,440	4	8.4	1/2 OD	1 1/8 OD	3/4 FPT	97 1/2 x 8 5/8 x 28 13/16	164
ACM249AE	24,900	3,050	5	10.5	1/2 OD	1 1/8 OD	3/4 FPT	119 1/2 x 8 5/8 x 28 13/16	206

Note: All units have 1/4" OD external equalizer connections and 3/4" FPT drain connection.

ECM ELECTRIC DEFROST MODEL 230V 1 PHASE

The Center Mount Unit Cooler is designed for freezer applications where space conservation is primary criterion. Features: PVC coated fan guards, coil surface gives proper compressor balance, high-efficiency aluminum fins with full collar mechanically expanded copper tubes. Coils dehydrated and sealed at the factory.

Order Number	BTU/hr		CFM	Fan Qty	Motor Amps		Heaters Amps	Connections (in)		L x H x D (in)	Ship Weight (lbs)
	10°F TD	12°F TD			Shaded Pole	PSC		Inlet	Suction		
ECM040BE	4,000	4,800	610	1	1.1	0.4	5.3	1/2	7/8	31 1/2 x 8 5/8 x 28 13/16	90
ECM054BE	5,400	6,480	1,300	2	2.2	0.8	8.7	1/2	7/8	53 1/2 x 8 5/8 x 28 13/16	120
ECM065BE	6,500	7,800	1,260	2	2.2	0.8	8.7	1/2	7/8	53 1/2 x 8 5/8 x 28 13/16	120
ECM090BE	9,000	10,800	1,950	3	3.3	1.2	10.5	1/2	7/8	75 1/2 x 8 5/8 x 28 13/16	160
ECM130BE	13,000	15,600	1,853	3	3.3	1.2	15.7	1/2	7/8	75 1/2 x 8 5/8 x 28 13/16	174
ECM174BE	17,400	20,880	2,440	4	4.4	1.6	20.9	1/2	1 1/8	97 1/2 x 8 5/8 x 28 13/16	218

Note: All units have 1/4" OD external equalizer connections and 3/4" FPT drain connection. Note: All models require external equalized expansion valve.

MMT, MLT, MLG SERIES AIR/ELECTRIC/HOT GAS DEFROST UNIT COOLERS

All electrical components factory wired to terminal board and identified, making it easy to field wire the unit. All electric defrost models have adjustable defrost termination and fan delay thermostat. From hinged drain pan for easy access. Schrader valve provided for suction pressure measurement. External equalizer connection. Terminal board design simplifies wiring between the evaporator and condensing units. Permanent split capacitor, thermally protected, lifetime-lubricated motors in 115, 208-230 and 460 volts. Reliable nickel alloy defrost heater elements. All internal panel have been isolated which provides for quiet unit operation. Motors plug into wiring harness for easier servicing.



AIR DEFROST 6 FPI MODELS 230V

Order Number	BTU/hr	CFM	Fan Qty	Motor Amps		Connections (in)		L x H x D (in)
				115V	208-230V	Coil Inlet	Suction	
MMT6-130BA	13,000	2,300	1	4	1.8	1/2	7/8	39 3/10 x 25 x 22 7/8
MMT6-155BA	15,500	2,200	1	4	1.8	1/2	1 1/8	39 3/10 x 25 x 22 7/8
MMT6-245BA	24,500	4,600	2	8	3.6	7/8	1 1/8	67 3/10 x 25 x 22 7/8
MMT6-300BA	30,000	4,400	2	8	3.6	7/8	1 1/8	67 3/10 x 25 x 22 7/8
MMT6-365BA	36,500	6,900	3	12	5.4	7/8	1 3/8	95 3/10 x 25 x 22 7/8
MMT6-450BA	45,000	6,600	3	12	5.4	1 1/8	1 3/8	95 3/10 x 25 x 22 7/8
MMT6-510BA	51,000	9,200	4	16	7.2	1 1/8	1 5/8	123 3/10 x 25 x 22 7/8
MMT6-600BA	60,000	8,800	4	16	7.2	1 1/8	1 5/8	123 3/10 x 25 x 22 7/8
MMT6-710BA	71,000	10,500	5	-	9.0	1 1/8	1 5/8	138 3/4 x 25 x 22 7/8

ELECTRIC DEFROST 4 FPI MODELS 230V

Order Number	BTU/hr	CFM	Fan Qty	Motor Amps	Connections ODS (in)		L x H x D (in)
				208-230V	Coil Inlet	Suction	
MLT4-100BA	10,000	2,325	1	1.8	1/2	7/8	39 3/10 x 25 x 22 7/8
MLT4-165BA	16,500	4,900	2	3.6	7/8	1 1/8	67 3/10 x 25 x 22 7/8
MLT4-220BA	22,000	4,650	2	3.6	1 1/8	1 3/8	67 3/10 x 25 x 22 7/8
MLT4-250BA	25,000	7,350	3	5.4	1 1/8	1 3/8	95 3/10 x 25 x 22 7/8
MLT4-330BA	33,000	6,975	3	5.4	1 1/8	1 3/8	95 3/10 x 25 x 22 7/8
MLT4-370CA	37,000	9,100	4	7.2	1 1/8	1 5/8	123 3/10 x 25 x 22 7/8
MLT4-440CA	44,000	8,700	4	7.2	1 1/8	1 5/8	123 3/10 x 25 x 22 7/8
MLT4-530CA	53,000	10,350	5	9	1 1/8	1 5/8	138 3/4 x 25 x 22 7/8

ELECTRIC DEFROST 6 FPI MODELS 230V

Order Number	BTU/hr	CFM	Fan Qty	Motor Amps	Connections ODS (in)		L x H x D (in)
				208-230V	Coil Inlet	Suction	
MLT6-101BA	10,100	2,350	1	1.8	1/2	7/8	39 3/10 x 25 x 22 7/8
MLT6-140BA	14,000	2,250	1	1.8	1/2	7/8	39 3/10 x 25 x 22 7/8
MLT6-190BA	19,000	4,750	2	3.6	7/8	1 1/8	67 3/10 x 25 x 22 7/8
MLT6-260BA	26,000	4,500	2	3.6	1 1/8	1 3/8	67 3/10 x 25 x 22 7/8
MLT6-310BA	31,000	7,050	3	5.4	1 1/8	1 3/8	95 3/10 x 25 x 22 7/8
MLT6-390BA	39,000	6,750	3	5.4	1 1/8	1 3/8	95 3/10 x 25 x 22 7/8
MLT6-430CA	43,000	8,800	4	7.2	1 1/8	1 5/8	123 3/10 x 25 x 22 7/8
MLT6-520CA	52,000	8,400	4	7.2	1 1/8	1 5/8	123 3/10 x 25 x 22 7/8
MLT6-620CA	62,000	10,000	5	9	1 1/8	1 5/8	138 3/4 x 25 x 22 7/8

HOT GAS DEFROST 4 FPI MODELS

Order Number	BTU/hr	CFM	Fan Qty	Motor Amps	Connections ODF (in)		L x H x D (in)
				208-230V	Coil Inlet	Suction	
MLG4-165BA	16,500	4,900	2	3.6	1 1/8	1 1/8	67 3/10 x 25 x 22 7/8
MLG4-220BA	22,000	4,650	2	3.6	1 1/8	1 3/8	67 3/10 x 25 x 22 7/8
MLG4-250BA	25,000	7,350	3	5.4	1 3/8	1 3/8	95 3/10 x 25 x 22 7/8
MLG4-330BA	33,000	6,975	3	5.4	1 3/8	1 3/8	95 3/10 x 25 x 22 7/8
MLG4-370BA	37,000	9,100	4	7.2	1 3/8	1 5/8	123 3/10 x 25 x 22 7/8
MLG4-440BA	44,000	8,700	4	7.2	1 3/8	1 5/8	123 3/10 x 25 x 22 7/8

LARKIN INC.

MMT, MLT, MLG SERIES AIR/ELECTRIC/HOT GAS DEFROST UNIT COOLERS



HOT GAS DEFROST 6 FPI MODELS

Order Number	BTU/hr	CFM	Fan Qty	Motor Amps		Connections (in)		L x H x D (in)
				208-230V	Coil Inlet	Suction		
MLG6-190BA	19,000	4,700	2	3.6	1 1/8	1 1/8	67 3/10 x 25 x 22 7/8	
MLG6-260BA	26,000	4,500	2	3.6	1 1/8	1 3/8	67 3/10 x 25 x 22 7/8	
MLG6-310BA	31,000	7,050	3	5.4	1 3/8	1 3/8	95 3/10 x 25 x 22 7/8	
MLG6-390BA	39,000	6,750	3	5.4	1 3/8	1 3/8	95 3/10 x 25 x 22 7/8	
MLG6-430BA	43,000	8,800	4	7.2	1 3/8	1 5/8	123 3/10 x 25 x 22 7/8	
MLG6-520BA	52,000	8,400	4	7.2	1 3/8	1 5/8	123 3/10 x 25 x 22 7/8	

*. CAPACITY @ 10°F TD. NOTE: Air Defrost models available in 115V & 230V. NOTE: Electric Defrost models available in 230V & 460V.

LHA, LHE, LHG SERIES AIR/ELECTRIC/HOT GAS DEFROST UNIT COOLERS

Aluminum cabinet with bonded white enamel finish. Thermoflex (5-year limited warranty) is innovative, eliminates leaks, reduces risk of refrigerant loss. 850 RPM motors are quiet and reliable. Liquid line solenoid wiring harness for faster installation. Suction schrader fitting for easier temperature measurement. Hinged drain pan and access panels with captive fasteners for easy servicing - no fumbling with loose bolts and nuts. Adjustable defrost control can be customized. Long air throw is ideal for warehouse and industrial applications. Standardized terminal board for easier field wiring. Complete hot gas defrost model meets more applications.



AIR DEFROST 6 FPI MODELS

CAPACITIES

Order Number	BTU/hr 10°F TD	Fan Air Throw			Standard Motor Total Amps						
		Std (ft)	W/Collar (ft)	HP	203-230/1 1 Ph	203-230/1 3 Ph	208-230/3	460/1 1 Ph	460/1 3 Ph	460/3	575/3
LHA6-520	52,000	70	85	1/2+*	6.4	-	5.2	3.4	-	2.6	1.8
LHA6-630	63,000	70	85	1/2+*	6.4	-	5.2	3.4	-	2.6	1.8
LHA6-750	75,000	70	85	1/2+*	9.6	5.5	7.8	-	3	3.9	2.7
LHA6-850	85,000	70	85	1/2+*	9.6	5.5	7.8	-	3	3.9	2.7
LHA6-930	93,000	70	85	1/2+*	12.8	8.7	10.4	-	4.7	5.2	3.6
LHA6-1100	110,000	70	85	1/2+*	12.8	8.7	10.4	-	4.7	5.2	3.6
LHA6-1170	117,000	100	115	1	-	-	13.8	-	-	6.9	7.8
LHA6-1400	140,000	100	115	1	-	-	13.8	-	-	6.9	7.8
LHA6-1610	161,000	100	115	1 1/2	-	-	19.8	-	-	9.9	7.8
LHA6-1900	190,000	120	140	1 1/2	-	-	21	-	-	10.5	8.4
LHA6-2200	220,000	120	140	1 1/2	-	-	26.4	-	-	13.2	10.4
LHA6-2440	244,000	120	140	1 1/2	-	-	28	-	-	14	11.2

AIR DEFROST 6 FPI MODELS

SPECIFICATIONS

Order Number	Connections				CFM	Fan		L x H x D (in)	Ship Weight (lbs)
	Coil Inlet	Suction	Ext. Equal.	Drain		Qty	Dia		
LHA6-520	1 3/8	1 5/8	1/4	1 1/4	9,400	2	24	83 3/32 x 37 3/16 x 26 1/4	270
LHA6-630	1 3/8	1 5/8	1/4	1 1/4	9,000	2	24	83 3/32 x 37 3/16 x 26 1/4	300
LHA6-750	1 3/8	2 1/8	1/4	1 1/4	13,200	3	24	105 5/32 x 37 3/16 x 26 1/4	390
LHA6-850	1 5/8	2 1/8	1/4	1 1/4	12,600	3	24	105 5/32 x 37 3/16 x 26 1/4	430
LHA6-930	1 3/8	2 1/8	1/4	1 1/4	17,600	4	24	135 7/32 x 37 3/16 x 26 1/4	515
LHA6-1100	1 5/8	2 1/8	1/4	1 1/4	16,800	4	24	135 7/32 x 37 3/16 x 26 1/4	565
LHA6-1170	1 5/8	2 1/8	1/4	1 1/4	21,900	3	30	135 13/32 x 44 1/2 x 35 21/32	738
LHA6-1400	1 5/8	2 1/8	1/4	1 1/4	20,700	3	30	135 13/32 x 44 1/2 x 35 21/32	800
LHA6-1610	1 3/8*	2 1/8*	1/4*	1 1/4	24,300	3	30	135 13/32 x 50 7/32 x 35 21/32	850
LHA6-1900	1 3/8	2 5/8	1/4	1 1/4	26,550	3	30	142 1/2 x 50 7/32 x 35 21/32	1,160
LHA6-2200	1 3/8	2 5/8	1/4	1 1/4	30,400	4	30	185 1/2 x 44 1/2 x 35 21/32	1,500
LHA6-2440	1 5/8	2 5/8	1/4	1 1/4	35,400	4	30	185 1/2 x 50 7/32 x 5 21/32	1,600

LHA, LHE, LHG SERIES AIR/ELECTRIC/HOT GAS DEFROST UNIT COOLERS



ELECTRIC DEFROST 4 FPI MODELS

CAPACITIES

Order Number	BTU/hr 10°F TD	Fan Air Throw			Standard Motor Total Amps						
		Std (ft)	W/Collar (ft)	HP	208-230/1 1 Ph	208-230/1 3 Ph	208-230/3	460/1 1 Ph	460/1 3 Ph	460/3	575/3
LHL4-440	40,000	70	85	1/2+	6.4	-	5.2	3.4	-	2.6	1.8
LHL4-480	48,000	70	85	1/2+	6.4	-	5.2	3.4	-	2.6	1.8
LHL4-560	56,000	70	85	1/2+	-	5.5	7.8	-	3	3.9	2.7
LHL4-650	65,000	70	85	1/2+	-	5.5	7.8	-	3	3.9	2.7
LHL4-710	71,000	70	85	1/2+	-	8.7	10.4	-	4.7	5.2	3.6
LHL4-840	84,000	70	85	1/2+	-	8.7	10.4	-	4.7	5.2	3.6
LHL4-890	89,000	100	115	1	-	-	13.8	-	-	6.9	7.8
LHL4-1050	105,000	100	115	1	-	-	13.8	-	-	6.9	7.8
LHL4-1220	122,000	100	115	1 1/2	-	-	19.8	-	-	9.9	7.8
LHL4-1440	144,000	120	140	1 1/2	-	-	21	-	-	10.5	8.4
LHL4-1860	186,000	120	140	1 1/2	-	-	28	-	-	14	11.2

208-230/3/60 and 460/3/60 motors are 3/4 HP

SPECIFICATIONS

Order Number	Connections (in)				Fan			L x H x D (in)	Ship Weight (lbs)
	Coil Inlet	Suction	Ext. Equal.	Drain	CFM	Qty	Dia		
LHL4-400	1 1/8	1 5/8	1/4	1 1/4	9,800	2	24	83 3/32 x 37 3/16 x 26 1/4	277
LHL4-480	1 1/8	1 5/8	1/4	1 1/4	9,400	2	24	83 3/32 x 37 3/16 x 26 1/4	306
LHL4-560	1 3/8	2 1/8	1/4	1 1/4	13,800	3	24	105 5/32 x 37 3/16 x 26 1/4	400
LHL4-650	1 5/8	2 1/8	1/4	1 1/4	13,200	3	24	105 5/32 x 37 3/16 x 26 1/4	440
LHL4-710	1 3/8	2 1/8	1/4	1 1/4	18,400	4	24	135 7/32 x 37 3/16 x 26 1/4	528
LHL4-840	1 5/8	2 1/8	1/4	1 1/4	17,600	4	24	135 7/32 x 37 3/16 x 26 1/4	578
LHL4-890	1 3/8	2 1/8	1/4	1 1/4	22,800	3	30	135 13/32 x 44 1/2 x 35 21/32	744
LHL4-1050	1 5/8	2 1/8	1/4	1 1/4	21,600	3	30	135 13/32 x 44 1/2 x 35 21/32	805
LHL4-1220	1 3/8*	2 1/8*	1/4*	1 1/4	25,200	3	30	135 13/32 x 50 7/32 x 35 21/32	854
LHL4-1440	1 5/8	2 5/8	1/4	1 1/4	27,600	3	30	142 1/2 x 50 7/32 x 35 21/32	1160
LHL4-1860	1 5/8	2 5/8	1/4	1 1/4	36,800	4	30	185 1/2 x 50 7/32 x 35 21/32	1600

ELECTRIC DEFROST 6 FPI MODELS

CAPACITIES

Order Number	BTU/hr 10°F TD	Fan Air Throw			Standard Motor Total Amps						
		Std (ft)	W/Collar (ft)	HP	208-230/1 1 Ph	208-230/1 3 Ph	208-230/3	460/1 1 Ph	460/1 3 Ph	460/3	575/3
LHE6-450	45,000	70	85	1/2+	6.4	-	5.2	3.4	-	2.6	1.8
LHE6-550	55,000	70	85	1/2+	6.4	-	5.2	3.4	-	2.6	1.8
LHE6-640	64,000	70	85	1/2+	-	5.5	7.8	-	3	3.9	2.7
LHE6-740	74,000	70	85	1/2+	-	5.5	7.8	-	3	3.9	2.7
LHE6-810	81,000	70	85	1/2+	-	8.7	10.4	-	4.7	5.2	3.6
LHE6-950	95,000	70	85	1/2+	-	8.7	10.4	-	4.7	5.2	3.6
LHE6-1020	102,000	100	115	1	-	-	13.8	-	-	6.9	7.8
LHE6-1200	120,000	100	115	1	-	-	13.8	-	-	6.9	7.8
LHE6-1390	139,000	100	115	1 1/2	-	-	19.8	-	-	9.9	7.8
LHE6-1650	165,000	120	140	1 1/2	-	-	21	-	-	10.5	8.4
LHE6-2120	212,000	120	140	1 1/2	-	-	28	-	-	14	11.2

208-230/3/60 and 460/3/60 motors are 3/4 HP

LARKIN INC.

LHA, LHE, LHG SERIES AIR/ELECTRIC/HOT GAS DEFROST UNIT COOLERS



ELECTRIC DEFROST 6 FPI MODELS

SPECIFICATIONS

Order Number	Connections (in)				Fan			L x H x D (in)	Ship Weight (lbs)
	Coil Inlet	Suction	Ext. Equal.	Drain	CFM	Qty	Dia		
LHE6-450	1 1/8	1 5/8	1/4	1 1/4	9,400	2	24	83 3/32 x 37 3/16 x 26 1/4	280
LHE6-550	1 1/8	1 5/8	1/4	1 1/4	9,000	2	24	83 3/32 x 37 3/16 x 26 1/4	310
LHE6-640	1 3/8	2 1/8	1/4	1 1/4	13,200	3	24	105 5/32 x 37 3/16 x 26 1/4	405
LHE6-740	1 5/8	2 1/8	1/4	1 1/4	12,600	3	24	105 5/32 x 37 3/16 x 26 1/4	445
LHE6-810	1 3/8	2 1/8	1/4	1 1/4	17,600	4	24	135 7/32 x 37 3/16 x 26 1/4	535
LHE6-950	1 3/8	2 1/8	1/4	1 1/4	16,800	4	24	135 7/32 x 37 3/16 x 26 1/4	585
LHE6-1020	1 3/8	2 1/8	1/4	1 1/4	21,900	3	30	135 13/32 x 44 1/2 x 35 21/32	753
LHE6-1200	1 5/8	2 1/8	1/4	1 1/4	20,700	3	30	135 13/32 x 44 1/2 x 35 21/32	815
LHE6-1390	1 3/8*	2 1/8*	1/4*	1 1/4	24,300	3	30	135 13/32 x 50 7/32 x 35 21/32	865
LHE6-1650	1 5/8	2 5/8	1/4	1 1/4	26,550	3	30	142 1/2 x 50 7/32 x 35 21/32	1,175
LHE6-2120	1 5/8	2 5/8	1/4	1 1/4	35,400	4	30	185 1/2 x 50 7/32 x 35 21/32	1,620

HOT GAS DEFROST 4 FPI MODELS

CAPACITIES

Order Number	BTU/hr 10°F TD	Fan Air Throw			Standard Motor Total Amps						
		Std (ft)	W/Collar (ft)	HP	208-230/1 1 Ph	208-230/1 3 Ph	208-230/3	460/1 1 Ph	460/1 3 Ph	460/3	575/3
LHF4-400	40,000	70	85	1/2	6.4	-	5.2	3.4	-	2.6	1.8
LHF4-480	48,000	70	85	1/2	6.4	-	5.2	3.4	-	2.6	1.8
LHF4-560	56,000	70	85	1/2	-	5.5	7.8	-	3	3.9	2.7
LHF4-650	65,000	70	85	1/2	-	5.5	7.8	-	3	3.9	2.7
LHF4-710	71,000	70	85	1/2	-	8.7	10.4	-	4.7	5.2	3.6
LHF4-840	84,000	70	85	1/2	-	8.7	10.4	-	4.7	5.2	3.6
LHF4-890	89,000	100	115	1	-	-	13.8	-	-	6.9	7.8
LHF4-1050	105,000	100	115	1	-	-	13.8	-	-	6.9	7.8
LHF4-1220	122,000	100	115	1 1/2	-	-	19.8	-	-	9.9	7.8
LHF4-1440	144,000	120	115	1 1/2	-	-	21	-	-	10.5	8.4
LHF4-1860	186,000	120	115	1 1/2	-	-	28	-	-	14	11.2

SPECIFICATIONS

Order Number	Connections (in)				Connections Hot Gas (in)		Fan			L x H x D (in)	Ship Weight (lbs)
	Coil Inlet	Suction	Ext. Equal.	Drain	Side Port	Drain	CFM	Qty	Dia		
LHF4-400	1 3/8	1 5/8	1/4	1 1/4	7/8	1 1/8	9,400	2	24	83 3/32 x 37 3/16 x 26 1/4	277
LHF4-480	1 3/8	1 5/8	1/4	1 1/4	7/8	1 1/8	9,400	2	24	83 3/32 x 37 3/16 x 26 1/4	306
LHF4-560	1 3/8	2 1/8	1/4	1 1/4	7/8	1 1/8	13,200	3	24	105 5/32 x 37 3/16 x 26 1/4	400
LHF4-650	1 5/8	2 1/8	1/4	1 1/4	1 1/8	1 1/8	13,200	3	24	105 5/32 x 37 3/16 x 26 1/4	440
LHF4-710	1 3/8	2 1/8	1/4	1 1/4	7/8	1 1/8	17,600	4	24	135 7/32 x 37 3/16 x 26 1/4	528
LHF4-840	1 5/8	2 1/8	1/4	1 1/4	1 1/8	1 1/8	17,600	4	24	135 7/32 x 37 3/16 x 26 1/4	578
LHF4-890	1 5/8	2 1/8	1/4	1 1/4	1 1/8	1 3/8	21,600	3	30	135 13/32 x 44 1/2 x 35 21/32	744
LHF4-1050	1 5/8	2 1/8	1/4	1 1/4	1 1/8	1 3/8	21,600	3	30	135 13/32 x 44 1/2 x 35 21/32	805
LHF4-1220	1 3/8*	2 1/8*	1/4*	1 1/4	7/8*	1 3/8	25,200	3	30	135 13/32 x 50 7/32 x 35 21/32	854
LHF4-1440	1 3/8*	2 5/8*	1/4*	1 1/4	7/8*	1 5/8	27,600	3	30	142 1/2 x 50 7/32 x 35 21/32	1,160
LHF4-1860	1 3/8*	2 5/8*	1/4*	1 1/4	7/8*	1 5/8	36,800	4	30	185 1/2 x 50 7/32 x 35 21/32	1,600

LHA, LHE, LHG SERIES AIR/ELECTRIC/HOT GAS DEFROST UNIT COOLERS



HOT GAS DEFROST 6 FPI MODELS

CAPACITIES

Order Number	BTU/hr 10°F TD	Fan Air Throw			Standard Motor Total Amps						
		Std (ft)	W/Collar (ft)	HP	208-230/1 3 Ph	208-230/1 3 Ph	208- 230/3	460/1 1 Ph	460/1 3 Ph	460/3	575/3
LHG6-450	45,000	70	85	1/2	6.4	-	5.2	3.4	-	2.6	1.8
LHG6-550	55,000	70	85	1/2	6.4	-	5.2	3.4	-	2.6	1.8
LHG6-640	64,000	70	85	1/2	-	5.5	7.8	-	3	3.9	2.7
LHG6-740	74,000	70	85	1/2	-	5.5	7.8	-	3	3.9	2.7
LHG6-810	81,000	70	85	1/2	-	8.7	10.4	-	4.7	5.2	3.6
LHG6-950	95,000	70	85	1/2	-	8.7	10.4	-	4.7	5.2	3.6
LHG6-1020	102,000	100	115	1	-	-	13.8	-	-	6.9	7.8
LHG6-1200	120,000	100	115	1	-	-	13.8	-	-	6.9	7.8
LHG6-1390	139,000	100	115	1 1/2	-	-	19.8	-	-	9.9	7.8
LHG6-1650	165,000	120	140	1 1/2	-	-	21	-	-	10.5	8.4
LHG6-2120	212,000	120	140	1 1/2	-	-	28	-	-	14	11.2

SPECIFICATIONS

Order Number	Connections (in)				Connections Hot Gas		CFM	Fan			L x H x D (in)	Ship Weight (lbs)
	Coil Inlet	Suction	Ext. Equal.	Drain	Side Port	Drain		Qty	Dia			
LHG6-450	1 3/8	1 5/8	1/4	1 1/4	7/8	1 1/8	9,400	2	24		83 3/32 x 37 3/16 x 26 1/4	280
LHG6-550	1 3/8	1 5/8	1/4	1 1/4	7/8	1 1/8	9,000	2	24		83 3/32 x 37 3/16 x 26 1/4	310
LHG6-640	1 3/8	2 1/8	1/4	1 1/4	7/8	1 1/8	13,200	3	24		105 5/32 x 37 3/16 x 26 1/4	405
LHG6-740	1 5/8	2 1/8	1/4	1 1/4	11/8	1 1/8	12,600	3	24		105 5/32 x 37 3/16 x 26 1/4	445
LHG6-810	1 3/8	2 1/8	1/4	1 1/4	7/8	1 1/8	17,600	4	24		135 7/32 x 37 3/16 x 26 1/4	535
LHG6-950	1 5/8	2 1/8	1/4	1 1/4	1 1/8	1 1/8	16,800	4	24		135 7/32 x 37 3/16 x 26 1/4	585
LHG6-1020	1 5/8	2 1/8	1/4	1 1/4	1 1/8	1 3/8	21,900	3	30		135 13/32 x 44 1/2 x 35 21/32	753
LHG6-1200	1 5/8	2 1/8	1/4	1 1/4	1 1/8	1 3/8	20,700	3	30		135 13/32 x 44 1/2 x 35 21/32	815
LHG6-1390	1 3/8*	2 1/8*	1/4*	1 1/4	7/8*	1 3/8	24,300	3	30		135 13/32 x 50 7/32 x 35 21/32	865
LHG6-1650	1 3/8*	2 5/8*	1/4*	1 1/4	1 1/8*	1 5/8	26,550	3	30		142 1/2 x 50 7/32 x 35 21/32	1,175
LHG6-2120	1 3/8*	2 5/8*	1/4*	1 1/4	1 1/8*	1 5/8	35,400	4	30		185 1/2 x 50 7/32 x 35 21/32	1,620

LARKIN INC.

LHT SERIES OUTDOOR CONDENSING UNITS

1/2 HP - 6 HP HERMETIC COMPRESSORS

Model LHT condensing units feature a hermetic refrigeration compressor with oversized aluminum fin, copper tube condenser that works in high ambients. Motors rated for 50 and 60 cycle applications. Fans specifically matched with motor and coil to attain maximum air movement and cooling. Suction service valves for hermetic and scroll compressors located outside the cabinet for quick installations. Semi-hermetic compressor models have a suction valve on the compressor and an access fitting on the suction line entering the cabinet. A receiver with fusible plug, liquid shutoff valve and charging port is also standard. Discharge service valves on all compressors including hermetics. Wide variety of compressors including: Copeland hermetic, semi-hermetic, new Glacial Scroll and the popular Copeland low temperature compressors. R22 and R404A/R507 available for both medium and low temperature applications.



R22 MEDIUM / HIGH TEMPERATURE

CAPACITIES

Capacity BTU/hr @ 90°F Ambient Temperature

Order Number	40°F	30°F	25°F	20°F	15°F	10°F	0°F
LHT-005H2	8,381	6,901	6,230	5,614	5,060	4,574	3,831
LHT-008H2	11,890	9,670	8,600	7,570	6,600	5,630	4,170
LHT-010H2	13,640	11,180	9,980	8,800	7,690	6,560	4,590
LHT-015H2	19,120	15,560	13,830	12,150	10,560	8,980	6,050
LHT-020H2	23,880	19,540	17,410	15,340	13,380	11,410	8,390
LHT-029M2	-	27,270	24,390	21,570	18,840	16,230	11,530
LHT-030H2	39,990	32,330	28,640	25,080	21,680	18,490	12,830
LHT-040H2	55,760	44,800	39,600	34,580	29,840	25,390	17,570
LHT-050H2	64,770	52,240	46,250	40,490	35,010	29,860	20,740

SPECIFICATIONS

Order Number	Compressor	Volts/Phase	Compressor		Fan Motor			MCA		MOPD		Amps	
			RLA	LRA	Qty	HP	FLA	Air	Electric	Air	Electric	Evaporator Fan	Defrost Heater
LHT-005H2B	ART82C1-CAV	208-230/1	5.9	30	1	1/15	0.5	15	20	15	20	8	15
LHT-008H2B	RRG4-0100-PAV	208-230/1	5.4	33.5	1	1/15	0.5	15	20	15	20	8	15
LHT-010H2B	RS70C1-PFV	208-230/1	6.3	34.2	1	1/15	0.5	15	20	15	20	7	15
LHT-010H2C	RS70C1-TFC	208-230/3	4.2	31	1	1/15	0.5	15	20	15	20	8.6	15
LHT-015H2B	CRA1-0150-PFV	208-230/1	9.7	48	2	1/15	1	15	24	20	25	6	19
LHT-015H2C	CRA1-0150-TF5	208-230/3	8.3	58	2	1/15	1	15	24	15	25	7	19
LHT-015H2D	CRA1-0150-TFD	460/3	3.7	17.4	2	1/15	1	15	20	15	20	9	15
LHT-020H2B	CRD1-0200-PFV	208-230/1	12.1	59	2	1/15	1	20	29	25	30	6	23
LHT-020H2C	CRD1-0200-TF5	208-230/3	7.8	50	2	1/15	1	15	24	15	25	9	19
LHT-020H2D	CRD1-0200-TFD	460/3	3.8	23	2	1/15	1	15	20	15	20	8.5	15
LHT-029M2B	CRJ3-0300-PFV	208-230/1	20.2	93	2	1/15	1	26	38	45	50	12	30
LHT-029M2C	CRJ3-0300-TF5	208-230/3	12.8	74	2	1/15	1	20	38	25	40	12	30
LHT-029M2D	CRJ3-0300-TFD	460/3	6	41	2	1/15	1	15	15	15	15	*	*
LHT-030H2B	CRJ3-0300-PFV	208-230/1	20.2	93	1	1/3	3.5	29	41	45	60	12	30
LHT-030H2C	CRJ3-0300-TF5	208-230/3	12.8	74	1	1/3	3.5	20	38	30	40	12	30
LHT-030H2D	CRJ3-0300-TFD	460/3	6	41	1	1/3	1.9	15	24	15	25	9	19
LHT-040H2B	CRM3-0400-PFV	208-230/1	27.6	125	1	1/3	3.5	38	50	50	60	12	35
LHT-040H2C	CRM3-0400-TF5	208-230/3	16	90	1	1/3	3.5	24	38	35	50	12	30
LHT-040H2D	CRM3-0400-TFD	460/3	7.7	45	1	1/3	1.9	15	29	15	30	11	23
LHT-050H2B	CRN5-0500-PFV	208-230/1	30.8	142	1	1/3	3.5	42	59	50	60	12	47
LHT-050H2C	CRN5-0500-TF5	208-230/3	19.2	130	1	1/3	3.5	28	40	45	50	12	30
LHT-050H2D	CRN5-0500-TFD	460/3	8.7	65	1	1/3	1.9	15	29	20	30	10	23

LHT SERIES OUTDOOR CONDENSING UNITS

1/2 HP - 6 HP HERMETIC COMPRESSORS

HCFC-404A / 507 EXTENDED TEMPERATURE

CAPACITIES



Capacity BTU/hr @ 90°F Ambient Temperature

Order Number	30°F	25°F	20°F	0°F	-10°F	-20°F	-25°F
LHT-005X6	5,890	5,410	4,850	3,260	2,130	1,810	1,380
LHT-008X6	8,490	8,050	7,480	4,260	2,350	1,750	1,130
LHT-009X6	9,570	8,960	8,190	5,140	4,070	3,190	2,360
LHT-010X6	10,360	9,660	9,160	5,640	4,160	2,970	1,870
LHT-015X6	15,940	14,660	13,330	7,700	4,900	3,610	2,330
LHT-020X6	18,050	16,680	15,150	8,940	6,170	4,410	2,640
LHT-025X6	19,830	18,220	16,770	10,810	7,840	6,360	4,470
LHT-030X6	31,240	28,630	25,980	15,400	10,260	8,110	5,950
LHT-032X6	34,200	31,310	28,580	16,910	11,960	9,440	6,930
LHT-040X6	45,330	40,730	36,240	21,200	15,440	12,200	8,960
LHT-050X6	51,000	46,400	41,670	25,630	18,670	14,740	10,820

SPECIFICATIONS

Order Number	Compressor	Volts/Phase	Compressor		Fan Motor			MCA		MOPD		Amps	
			RLA	LRA	Qty	HP	FLA	Air	Electric	Air	Electric	Evaporator Fan	Defrost Heater
LHT-005X6B	RS43C1E-CAV	208-230/1	4.8	24.1	1	1/15	0.5	15	20	15	20	8	15
LHT-008X6B	RS55C1E-CAV	208-230/1	6	33.5	1	1/15	0.5	15	20	15	20	8	15
LHT-009X6B	RS64C1E-CAV	208-230/1	6.9	37	1	1/15	0.5	15	20	15	20	7	15
LHT-010X6B	RS70C1E-PFV	208-230/1	6.3	34.2	1	1/15	0.5	15	20	15	20	7	15
LHT-010X6C	RS70C1E-TFC	208-230/3	4.2	31	1	1/15	0.5	15	20	15	20	8.6	15
LHT-015X6B	CS10K6E-PFV	208-230/1	9.8	56	2	1/15	1	15	24	20	25	6	19
LHT-015X6C	CS10K6E-TF5	208-230/3	6.7	51	2	1/15	1	15	20	15	20	7	15
LHT-020X6B	CS12K6E-PFV	208-230/1	9.8	56	2	1/15	1	15	24	20	25	6	19
LHT-020X6C	CS12K6E-TF5	208-230/3	6.7	51	2	1/15	1	15	24	15	25	9	19
LHT-025X6B	CS14K6E-PFV	208-230/1	11.2	61	2	1/15	1	15	29	25	30	6	23
LHT-025X6C	CS14K6E-TF5	208-230/3	8.2	55	2	1/15	1	15	24	15	25	9	19
LHT-025X6D	CS14K6E-TFD	460/3	4.2	28	2	1/15	1	15	20	15	20	8.3	15
LHT-030X6B	CS18K6E-PFV	208-230/1	14.4	82	1	1/3	3.5	21	38	35	45	12	30
LHT-030X6C	CS18K6E-TF5	208-230/3	9.4	65.5	1	1/3	3.5	15	29	20	30	7	23
LHT-030X6D	CS18K6E-TFD	460/3	3.9	33	1	1/3	1.9	15	24	15	25	10	19
LHT-032X6B	CS20K6E-PFV	208-230/1	16.7	96	1	1/3	3.5	24	38	40	50	12	30
LHT-032X6C	CS20K6E-TF5	208-230/3	10.3	75	1	1/3	3.5	20	29	25	30	7	23
LHT-032X6D	CS20K6E-TFD	460/3	4.6	40	1	1/3	1.9	15	24	15	25	10	19
LHT-040X6B	CS27K6E-PFV	208-230/1	21.5	95.4	1	1/3	3.5	30	44	50	60	12	35
LHT-040X6C	CS27K6E-TF5	208-230/3	13.7	82	1	1/3	3.5	21	38	30	45	12	30
LHT-040X6D	CS27K6E-TFD	460/3	7.6	41	1	1/3	1.9	15	29	15	30	11	23
LHT-050X6B	CS33K6E-PFV	208-230/1	27.6	125	1	1/3	3.5	38	59	50	60	12	47
LHT-050X6C	CS33K6E-TF5	208-230/3	18.6	90	1	1/3	3.5	27	39	45	50	12	30
LHT-050X6D	CS33K6E-TFD	460/3	8.8	45	1	1/3	1.9	15	29	20	30	10	23

LARKIN INC.

LHT SERIES OUTDOOR CONDENSING UNITS

1/2 HP - 6 HP HERMETIC COMPRESSORS

R404 / 507 LOW TEMPERATURE



CAPACITIES

Capacity BTU/hr @ 90°F Ambient Temperature

Order Number	Compressor	0°F	-5°F	-10°F	-20°F	-25°F	-30°F
LHT-011L6	CF04K6E	7,484	6,624	5,765	4,090	3,293	2,536
LHT-014L6	CF06K6E	10,610	9,460	8,340	6,220	5,250	4,340
LHT-025L6	CF09K6E	17,940	15,970	14,050	10,400	8,700	7,130
LHT-031L6	CF12K6E	20,793	18,889	16,931	12,938	10,952	9,009

SPECIFICATIONS

Order Number	Compressor	Volts/Phase	Compressor		Fan Motor			MCA		MOPD		Amps	
			RLA	LRA	Qty	HP	FLA	Air	Electric	Air	Electric	Evaporator Fan	Defrost Heater
LHT-011L6B	CF04K6E-PFV	208-230/1	8.6	59.2	1	1/15	0.5	15	20	15	25	7	15
LHT-011L6C	CF04K6E-TF5	200-230/3	3.9	52	1	1/15	0.5	15	20	15	20	8	15
LHT-014L6B	CF06K6E-PFV	208-230/1	10.3	59.2	1	1/15	0.5	15	20	20	25	4	15
LHT-014L6C	CF06K6E-TF5	200-230/3	6.3	52	1	1/15	0.5	15	24	15	25	9	19
LHT-025L6B	CF09K6E-PFV	208-230/1	15	87	2	1/15	1	20	29	30	40	6	23
LHT-025L6C	CF09K6E-TF5	200-230/3	9.2	72.2	2	1/15	1	15	21	20	25	7	15
LHT-031L6B	CF12K6E-PFV	208-230/1	17	105	2	1/15	1	22.3	37.5	35	50	12	30
LHT-031L6C	CF12K6E-TF5	200-230/3	10.7	85	2	1/15	1	15	28.8	25	30	7	23
LHT-031L6D	CF12K6E-TFD	460/3	5.3	42	2	1/15	1	15	23.8	15	25	10	19

UNIT DIMENSIONS

Connections (in)

Order Number	Liquid	Suction	D x W x H (in)	Ship Weight (lbs)
LHT-005H2	3/8	1/2	28.25 x 23.75 x 17.25	161
LHT-008H2	3/8	1/2	28.25 x 23.75 x 17.25	173
LHT-010H2	3/8	5/8	28.25 x 23.75 x 17.25	172
LHT-015H2	3/8	5/8	28.25 x 37.75 x 17.25	223
LHT-020H2	3/8	7/8	28.25 x 37.75 x 17.25	225
LHT-029M2	1/2	7/8	28.25 x 37.75 x 19.75	246
LHT-030H2	1/2	7/8	30.25 x 42.5 x 29.75	311
LHT-040H2	1/2	1 1/8	30.25 x 42.5 x 29.75	319
LHT-050H2	1/2	1 1/8	30.25 x 42.5 x 29.75	333
LHT-005X6	3/8	1/2	28.25 x 23.75 x 17.25	176
LHT-008X6	3/8	1/2	28.25 x 23.75 x 17.25	176
LHT-009X6	3/8	5/8	28.25 x 23.75 x 17.25	179
LHT-010X6	3/8	5/8	28.25 x 23.75 x 17.25	173
LHT-015X6	3/8	5/8	28.25 x 23.75 x 17.25	230
LHT-020X6	3/8	7/8	28.25 x 23.75 x 17.25	230
LHT-025X6	3/8	7/8	28.25 x 23.75 x 17.25	231
LHT-030X6	1/2	7/8	30.25 x 42.5 x 29.75	314
LHT-032X6	1/2	7/8	30.25 x 42.5 x 29.75	315
LHT-040X6	1/2	1 1/8	30.25 x 42.5 x 29.75	315
LHT-050X6	1/2	1 1/8	30.25 x 42.5 x 29.75	319
LHT-013L6	3/8	5/8	28.25 x 23.75 x 17.25	202
LHT-024L6	3/8	7/8	28.25 x 37.75 x 17.25	238

Beacon II™ Refrigeration System



Now available with Beacon II™

Beacon II™ is the next generation of Larkin's patented, preassembled, factory installed refrigeration system featuring an integrated microcomputer-based electronic control board. The Beacon II™ systems come completely factory installed, wired and tested saving you time and money.

Beacon II™ offers:

- Complete factory installation, wiring and testing which saves time and money
- Simple field electrical connections and 24 volt wiring between condensing and evaporator units
- Preset factory superheat allowing the system to run more efficiently and reducing future adjustments
- Monitors and controls box temperature, evaporator superheat, condenser fan cycling on two fan units, system status and defrost from outside the box
- Monitor and make system changes remotely via modem and exclusive Beacon II™ Smart II software
- Data logging capabilities with Smart Controller

Beacon II™ Smart Controller

The Beacon II™ Smart Controller is an optional system monitoring and programming control device. It allows for adjustments to be made at the push of a button from a conveniently mounted location. The Beacon II™ Smart Controller also allows you to monitor and make changes to the refrigeration system via modem connection from anywhere in the world. The Beacon II™ has been updated to allow the user to make even more precise adjustments than the original Beacon's Smart Controller. One Smart Controller can program and control up to four separate condensing units with up to four evaporators on each system. That's more control in your hands!



Beacon II™ Smart II Software

Beacon II™ Smart II Software makes it easy to adjust and monitor one or more refrigeration systems as well as capture minute by minute system conditions. This Windows-based software allows you to connect to the Beacon II™ Smart Controller from anywhere in the world to monitor the systems, make adjustments and log minute by minute system conditions. This data logging capability is critical in the food service industry.

The Beacon II™ Smart Defrost

The Beacon II™ Smart Defrost, available only on the Beacon II™ Smart Controller, enables the Beacon II™ system to sense frost accumulation and initiates defrost only when it is necessary. To begin, preset defrost times using the Beacon II™ Smart Controller. At each scheduled defrost time, Smart Defrost checks system performance to see if a defrost is necessary. If not, it simply does not defrost, waiting until the next scheduled defrost time.



Scroll® Compressors

Larkin condensing units are available with Copeland's Scroll® compressor. Copeland's Scroll® compressors are hermetically sealed so no service is required. The Scroll's® ability to handle liquid refrigerant makes it extremely reliable and, in low temperature applications, liquid injection is provided to lower discharge temperatures under adverse conditions. Also, nuisance oil safety trips are eliminated because the Scroll® doesn't require an oil pressure sensing device.



Electrical Options	Mechanical Options
<ul style="list-style-type: none"> • Crankcase heater on indoor units • Mounted fused disconnect • Fan cycling • Low ambient kit (Heated & insulated receiver with low pressure cut-out time delay) • Defrost timer for air defrost • Defrost timer & contactor for electric defrost includes evaporator fan subfusing (Only the large 2 fan units have evaporator fan sub-fusing included as standard in the Electric Defrost kit) • Beacon II™ kits (see Beacon II™ section for details) • Bohnmizer® Kits (see Bohnmizer® section for details) • Electric Defrost Fusing (includes evaporator fan fusing on 1 fan and 2 fan units) • Dual-pressure control* • Adjustable high pressure control with manual reset* • Phase-loss monitor* • Compressor fusing* • Circuit breaker circuit protection for compressor, condenser fan and control circuit* 	<ul style="list-style-type: none"> • Head pressure valve on indoor units • Mounted liquid line solenoid valve • Replaceable core liquid line filter/drier • Permanent suction line filter • Replaceable core suction line filter • Suction accumulator • Oil separator • Bohnguard™ condenser coating • Copper finned coil • Oversized receiver • Slanted louver for snowbelt regions (not available with indoor unit) • 12" extended legs for snowbelt regions • Hail guards • NEMA contactors* • Compressor unloading (one step)*

* Available on large two-fan cabinet only

Standard Features

- Floating Tube™ coil design
- Suction and discharge vibration eliminators with Discus® compressors
- Spring mounted Discus® compressors
- Fixed high and adjustable low pressure switches
- Sentronic oil failure switch with Discus® compressors
- Discharge line check valve with medium and low temperature Scroll® compressors
- Discharge line thermostat with medium temperature Scroll® compressors
- Liquid injection solenoid valve and capillary tube with low temperature Scroll® compressors
- Manual pump-down switch
- Refrigeration-duty, Type K, rifled copper condenser tubing
- Crankcase heater and head pressure valve on all outdoor units
- Sight glass and permanent liquid line filter

Better Performance

- Enhanced grill design gives 25% to 40% increase in free-air area
- Electrical box relocated out of air flow stream
- Vertical receiver needs less refrigerant for liquid seal

Faster Access

- Base valve and high & low pressure taps on outside of unit
- Removable grill for access to all serviceable parts
- Improved access to fan motors & components
- Lighter, one-piece top
- Easy-to-view sight glass location

Easier Service

- Better access to components for easier repair
- Compact design allows for better jobsite placement & installation
- Dual isolation valves on receiver

Greater Reliability

- Floating Tube™ coil design eliminates tube-sheet leaks
- Pre-bent tubing reduces mechanical joints
- State-of-the-art factory leak-detection ensures highest quality



PSC Motors are an Energy Solutions® feature and are optimized to help you save money by increasing energy efficiency.

Nomenclature						
L Model	D Compressor	T Application	0500 Equiv. HP	L Temperature	6 Refrigerant	C Voltage
L = Larkin	D = Discus® Z = Scroll®	T = Outdoor N = Indoor S = Beacon II™	0300 = 3HP 0400 = 4HP 0500 = 5HP 0501 = 5HP 0600 = 6HP 0601 = 6HP 0650 = 6.5HP 0700 = 7HP 0750 = 7.5HP 0751 = 7.5HP 0800 = 8HP 0860 = 8.5HP 0900 = 9HP 1000 = 10HP 1200 = 12HP 1300 = 13HP 1400 = 14HP 1500 = 15HP 2200 = 22HP	H = High Temp. M = Med. Temp. L = Low Temp.	2 = R-22 6 = R-404A, R-507	C = 208-230/3/60 (200-220/3/50)* D = 460/3/60 (380-420/3/50)* E = 575/3/60 *Limited by compressor model

LARKIN INC.

LZ SERIES SCROLL AIR COOLED CONDENSING UNITS

2 HP TO 13 HP - AVAILABLE FOR INDOOR OR OUTDOOR INSTALLATIONS

Features a complete line of Copeland's Glacier refrigeration scroll compressors. These condensing units have an oversized condenser which allows units to operate in high ambient for 35°F boxes and below. UL listed for the United States and Canada.



R404A - LOW TEMPERATURE

CAPACITIES

Capacity BTU/hr @ 95°F Ambient Temperature

Order Number	0°F	-10°F	-15°F	-20°F	-25°F	-30°F	-40°F
LZ*020L6	11,510	9,540	8,600	7,700	6,860	6,070	4,710
LZ*025L6	14,310	11,850	10,690	9,580	8,550	7,600	5,990
LZ*030L6	15,900	13,200	11,920	10,700	9,550	8,500	6,710
LZ*035L6	19,040	15,860	14,340	12,900	11,540	10,300	8,200
LZ*045L6	24,950	20,410	18,290	16,290	14,410	12,670	9,680
LZ*055L6	29,840	24,650	22,190	19,860	17,670	15,660	12,250
LZ*060L6	34,960	28,970	26,120	23,390	20,850	18,500	14,520
LZ*0750L6	39,060	32,650		26,540		21,060	14,490
LZ*1000L6	54,890	45,630		36,890		28,940	22,050
LZ*1300L6	69,440	57,900		47,010		37,330	29,410
LZ*1500L6	77,970	65,370		53,282		42,440	33,510

* T for Outdoor; N for Indoor; S for Beacon II

SPECIFICATIONS

Connections (in)

Order Number	Compressor	Liquid	Suction	Receiver 90% Full (lbs)	Fans	Weight (lbs)	Sound Data dba
LZ*020L6	ZF06K4E	1/2	1/2	14	2	231	71
LZ*025L6	ZF08K4E	1/2	7/8	14	2	240	73
LZ*030L6	ZF09K4E	1/2	7/8	14	2	240	71
LZ*035L6	ZF11K4E	1/2	7/8	14	2	243	73
LZ*045L6	ZF13K4E	1/2	1 1/8	20	1	325	73
LZ*055L6	ZF15K4E	1/2	1 1/8	20	1	334	74
LZ*060L6	ZF18K4E	1/2	1 1/8	20	1	335	76
LZ*0750L6	ZF24K4E	7/8	1 3/8	40	1	550	82
LZ*1000L6	ZF33K4E	7/8	1 3/8	80	2	750	83
LZ*1300L6	ZF40K4E	7/8	1 3/8	80	2	765	84
LZ*1500L6	ZF48K4E	5/8	1 5/8	67	2	891	83

* T for Outdoor; N for Indoor; S for Beacon II

ELECTRICAL DATA

Order Number	Compressor	Power Supply		Compressor		Fan Motor			MCA		MOPD		Evap.	Defrost
		Volts	Phase	RLA	LRA	Qty	HP	FLA	Air	Elec	Air	Elec	Fan Amps	Heater Amps
LZ*020L6B	ZF06K4E-PFV	208-230	1	12.2	61	2	1/15	1	20	38	30	40	12	30
LZ*020L6C	ZF06K4E-TF5	208-230	3	8.3	55	2	1/15	1	15	24	20	25	9	19
LZ*025L6B	ZF08K4E-PFV	208-230	1	14.7	73	2	1/15	1	20	38	35	45	12	30
LZ*025L6C	ZF08K4E-TF5	208-230	3	8.7	63	2	1/15	1	15	29	25	60	11	23
LZ*030L6B	ZF09K4E-PFV	208-230	1	14.7	88	2	1/15	1	19	38	30	40	11	30
LZ*030L6C	ZF09K4E-TF5	208-230	3	9.9	77	2	1/15	1	20	24	20	45	11	19
LZ*035L6B	ZF11K4E-PFV	208-230	1	17.9	109	2	1/15	1	24	38	40	50	12	30
LZ*035L6C	ZF11K4E-TF5	208-230	3	12.1	88	2	1/15	1	16	29	25	30	6	23
LZ*045L6B	ZF13K4E-PFV	208-230	1	24.0	129	1	1/3	3.5	34	45	50	60	11	30
LZ*045L6C	ZF13K4E-TF5	208-230	3	13.5	99	1	1/3	3.5	20	38	30	45	11	30
LZ*055L6B	ZF15K4E-PFV	208-230	1	28.8	169	1	1/3	3.5	40	50	50	60	9	30
LZ*055L6C	ZF15K4E-TF5	208-230	3	19.2	123	1	1/3	3.5	28	40	45	50	9	30
LZ*060L6C	ZF18K4E-TF5	208-230	3	21.5	156	1	1/3	3.5	30	44	50	60	12	35
LZ*0750L6C	ZF24K4E-TWC	208-230	3	26.9	189	1	1/3	3.5	37	68	60	80	15	68
LZ*1000L6C	ZF33K4E-TWC	208-230	3	39.1	278	2	1/3	7	56	71	90	100	15	68
LZ*1300L6C	ZF40K4E-TWC	208-230	3	47.4	350	2	1/3	7	66	81	100	125	15	68
LZ*1500L6C	ZF48K4E-TWC	208-230	3	49.4	425	2	1/3	5.4	67.1	93.1	90	100	26	70
LZ*1500L6E	ZF48K4E-TWE	575	3	17.6	148	2	1/3	2.4	24.4	34.8	40	50	10.4	28

LZ SERIES SCROLL AIR COOLED CONDENSING UNITS

2 HP TO 13 HP - AVAILABLE FOR INDOOR OR OUTDOOR INSTALLATIONS

R22 - MEDIUM TEMPERATURE



CAPACITIES

Capacity BTU/hr @ 95°F Ambient Temperature

Order Number	Compressor	35°F	30°F	25°F	20°F	10°F
LZ*020M6	ZS15K4E	21,230	19,630	18,080	16,560	13,710
LZ*025M6	ZS19K4E	25,080	23,260	21,480	19,740	16,430
LZ*030M6	ZS21K4E	30,740	28,360	26,040	23,800	19,580
LZ*035M6	ZS26K4E	37,430	34,440	31,570	28,820	23,580
LZ*045M6	ZS30K4E	44,150	40,390	36,830	66,470	57,360
LZ*055M6	ZS38K4E	51,970	48,030	44,190	40,480	33,270
LZ*060M6	ZS45K4E	61,220	56,690	52,230	47,880	39,610

SPECIFICATIONS

Connections (in)

Order Number	Compressor	Liquid	Suction	Receiver 90% Full (lbs)	Fans	Weight (lbs)	Sound Data dba
LZ*020M6	ZS15K4E	1/2	7/8	14	2	231	71
LZ*025M6	ZS19K4E	1/2	7/8	14	2	240	73
LZ*030M6	ZS21K4E	1/2	7/8	20	1	305	72
LZ*035M6	ZS26K4E	1/2	7/8	20	1	308	74
LZ*045M6	ZS30K4E	1/2	1 1/8	20	1	325	73
LZ*055M6	ZS38K4E	1/2	1 1/8	20	1	334	74
LZ*060M6	ZS45K43	1/2	1 1/8	20	1	335	76
LZ*0750M6	ZS56K4E	7/8	1 1/8	80	2	716	83
LZ*1000M6	ZS75K4E	7/8	1 3/8	80	2	750	83
LZ*1300M6	ZS92K4E	7/8	1 3/8	80	2	765	84

* T for Outdoor; N for Indoor; S for Beacon II

R404A/R507 - MEDIUM TEMPERATURE - 6 1/2 - 14 HP

CAPACITIES

Capacity BTU/hr @ 95°F Ambient Temperature

Order Number	10°F	20°F	25°F	30°F	40°F
LZ*0650M6	42,960	51,650	56,230	60,990	70,930
LZ*0700M6	51,120	62,030	67,790	73,780	86,350
LZ*0750M6	59,780	71,470	77,660	84,210	98,100
LZ*0860M6	69,090	82,060	89,080	96,380	111,850
LZ*1000M6	82,180	96,920	105,030	112,810	129,620
LZ*1400M6	91,200	106,940	115,470	123,550	140,990

SPECIFICATIONS

Connections (in)

Order Number	Compressor	Liquid	Suction	Receiver 90% Full (lbs)	Fans	Weight (lbs)	Sound Data dba
LZ*0650M6	ZB50KCE	1/2	1 1/8	28	1	574	78
LZ*0700M6	ZB58KCE	5/8	1 3/8	67	2	800	80
LZ*0750M6	ZB66KCE	5/8	1 3/8	67	2	813	80
LZ*0860M6	ZB76KCE	5/8	1 3/8	67	2	818	80
LZ*1000M6	ZS92K4E	5/8	1 3/8	67	2	908	82
LZ*1400M6	ZS11M4E	7/8	1 5/8	67	2	915	82

* T for Outdoor; N for Indoor; S for Beacon II

LARKIN INC.

LZ SERIES SCROLL AIR COOLED CONDENSING UNITS

2 HP TO 13 HP - AVAILABLE FOR INDOOR OR OUTDOOR INSTALLATIONS

MEDIUM TEMPERATURE

ELECTRICAL DATA

Order Number	Compressor	Power Supply		Compressor		Fan Motor			MCA		MOPD		Evap.	Defrost
		Volts	Phase	RLA	LRA	Qty	HP	FLA	Air	Elec	Air	Elec	Fan Amps	Heater Amps
LZ*020M6B	ZS15K4E-PFV	208-230	1	12.2	61	2	1/15	1	20	38	30	40	12	30
LZ*020M6C	ZS15K4E-TF5	208-230	3	8.3	55	2	1/15	1	15	24	20	25	9	19
LZ*025M6B	ZS19K4E-PFV	208-230	1	14.7	73	2	1/15	1	20	38	35	45	12	30
LZ*025M6C	ZS19K4E-TF5	208-230	3	8.7	63	2	1/3	1	15	29	25	30	11	23
LZ*030M6B	ZS21K4E-PFV	208-230	1	14.7	88	1	1/3	3.5	22	38	35	45	12	30
LZ*030M6C	ZS21K4E-TF5	208-230	3	9.9	77	1	1/3	3.5	16	49	25	40	12	30
LZ*035M6B	ZS26K4E-PFV	208-230	1	18.6	109	1	1/3	3.5	27	39	45	50	12	30
LZ*035M6C	ZS26K4E-TF5	208-230	3	12.2	88	1	1/3	3.5	19	38	30	40	12	30
LZ*045M6B	ZS30K4E-PFV	208-230	1	24.0	129	1	1/3	3.5	34	59	50	60	11	47
LZ*045M6C	ZS30K4E-TF5	208-230	3	13.5	99	1	1/3	3.5	20	44	30	45	12	35
LZ*055M6B	ZS38K4E-PFV	208-230	1	28.8	169	1	1/3	3.5	40	59	50	60	12	47
LZ*055M6C	ZS38K4E-TF5	208-230	3	19.2	123	1	1/3	3.5	28	44	45	50	12	35
LZ*060M6C	ZS45K4E-TF5	208-230	3	21.5	156	1	1/3	3.5	30	42	50	60	12	30
LZ*0650M6C	ZB50KCE	208-230	3	25.6	196	1	1/3	2.7	34.8	49.8	60	70	15	40
LZ*0650M6E	ZB50KCE	575	3	9.7	90	1	1/3	1.1	13.3	19.7	20	25	6.4	16
LZ*0700M6C	ZB58KCE	208-230	3	27.6	195	2	1/3	5.4	39.9	59.9	60	80	20	48
LZ*0700M6E	ZB58KCE	575	3	11.5	80	2	1/3	2.4	16.8	24.8	25	35	8	20
LZ*0750M6C	ZB66KCE	208-230	3	26.9	225	2	1/3	5.4	39.1	59.1	60	80	20	48
LZ*0750M6E	ZB66KCE	575	3	11.2	80	2	1/3	2.4	16.4	24.4	25	35	8	20
LZ*0860M6C	ZB76KCE	208-230	3	37.2	239	2	1/3	5.4	51.9	77.9	80	100	26	70
LZ*0860M6E	ZB76KCE	575	3	11.9	80	2	1/3	2.4	17.2	28	25	35	10.4	28
LZ*1000M6C	ZS92K4E	208-230	3	47.4	350	2	1/3	5.4	64.7	90.7	90	100	26	70
LZ*1000M6E	ZS92K4E	575	3	17.9	125	2	1/3	2.4	24.8	35.2	40	50	10.4	28
LZ*1400M6C	ZS11M4E	208-230	3	53.8	425	2	1/3	5.4	72.7	98.7	90	100	26	80
LZ*1400M6E	ZS11M4E	575	3	20.2	148	2	1/3	2.4	27.6	38	45	50	10.4	32

LD SERIES INDOOR OR OUTDOOR CONDENSING UNITS

3 HP TO 15 HP

DISCUS COMPRESSORS

Enhanced grill design gives up to 40% more free-air area than before, and its vertical receiver needs less refrigerant to ensure a solid column of liquid reaches the expansion valve. Fan motors and serviceable glass is conveniently placed so that charging is quick, easy and accurate. Thorough cleaning of the coil is easier because the unit's top is one piece and lighter for easier removal. A liquid vase valve and suction service tap is placed on the outside of the cabinet for easy pump-downs and quick diagnosis. The footprint is smaller for easy job-site placement. These condensing units utilize the patented Floating Tube condenser that eliminates tube-sheet leaks. This coil design allows Larkin to offer you a 5-year warranty against tube-sheet leaks that includes labour and refrigerant.



R404A / R507 LOW TEMPERATURE -10°F SUCTION TEMPERATURE

CAPACITIES

Capacity BTU/hr @ 95°F Ambient Temperature

Order Number	0°F	-10°F	-20°F	-30°F	-40°F
LD*0300L6	31,390	25,320	19,560	14,500	10,490
LD*0400L6	36,470	29,620	23,140	17,400	12,750
LD*0600L6	42,830	35,160	27,770	21,070	15,490
LD*0601L6	47,060	38,920	30,940	23,710	17,830
LD*0750L6	54,880	45,630	36,410	27,960	21,030
LD*0900L6	72,600	59,280	46,730	35,680	26,850
LD*1000L6	78,620	64,870	51,680	39,780	29,910
LD*1200L6	86,720	70,880	55,650	41,970	30,700
LD*1500L6	107,630	89,380	71,720	55,530	41,710
LD*2200L6	122,150	103,010	83,410	64,540	47,660

LD SERIES INDOOR OR OUTDOOR CONDENSING UNITS

3 HP TO 15 HP

DISCUS COMPRESSORS

R404A / R507 LOW TEMPERATURE -10°F SUCTION TEMPERATURE

SPECIFICATIONS



Order Number	Compressor	Connections (in)		Receiver 90% Full (lbs)	Fans	Weight (lbs)	Sound Data dba
		Suction	Liquid				
LD*0300L6	2DF3F16KE	1 1/8	1/2	28	1	737	78
LD*0400L6	2DL3F20KE	1 1/8	1/2	28	1	741	78
LD*0600L6	2DB3F25KE	1 1/8	1/2	28	1	751	78
LD*0601L6	3DA3F28KE	1 1/8	1/2	28	1	781	81
LD*0750L6	3DB3F33KE	1 1/8	1/2	28	1	805	81
LD*0900L6	3DF3F40KE	1 3/8	5/8	67	2	1,030	82
LD*1000L6	3DS3F46KE	1 3/8	5/8	67	2	1,035	82
LD*1200L6	4DA3F47KE	1 5/8	7/8	67	2	1,199	82
LD*1500L6	4DL3F63KE	1 5/8	7/8	67	2	1,234	82
LD*2200L6	4DT3F76KE	1 5/8	7/8	67	2	1,224	82

* T for Outdoor; N for Indoor; S for Beacon II

ELECTRICAL DATA

Order Number	Compressor	Power Supply		Compressor		Fan Motor			High Amps		Evap. Fan Amps	Defrost Heater Amps
		Volts	Phase	RLA	LRA	Qty	HP	FLA	MCA	MOPD		
LD*0300L6C	2DF3F16KE	208-230	3	14.4	102	1	1/3	2.7	40	50	15	40
LD*0300L6E	2DF3F16KE	575	3	6.0	41	1	1/3	1.2	16	20	6.4	16
LD*0400L6C	2DL3F20KE	208-230	3	23.6	161	1	1/3	2.7	48	70	15	48
LD*0400L6E	2DL3F20KE	575	3	6.9	49	1	1/3	1.2	20	20	6.4	20
LD*0600L6C	2DB3F25KE	208-230	3	25.3	161	1	1/3	2.7	60	70	20	60
LD*0600L6E	2DB3F25KE	575	3	8.6	63	1	1/3	1.2	24	25	8	24
LD*0601L6C	3DA3F28KE	208-230	3	24.0	150	1	1/3	2.7	60	70	20	60
LD*0601L6E	3DA3F28KE	575	3	9.4	62	1	1/3	1.2	24	30	8	24
LD*0750L6C	3DB3F33KE	208-230	3	27.6	161	1	1/3	2.7	60	80	20	60
LD*0750L6E	3DB3F33KE	575	3	9.9	67	1	1/3	1.2	24	30	8	24
LD*0900L6C	3DF3F40KE	208-230	3	33.2	215	1	1/3	5.4	72.9	100	26	70
LD*0900L6E	3DF3F40KE	575	3	14.1	84	1	1/3	2.4	30.4	40	10.4	28
LD*1000L6C	3DS3F46KE	208-230	3	37.2	215	2	1/3	5.4	77.9	100	26	70
LD*1000L6E	3DS3F46KE	575	3	14.6	84	2	1/3	2.4	31	45	10.4	28
LD*1200L6C	4DA3F47KE	208-230	3	40.9	220	2	3/4	8.8	87.5	110	20	70
LD*1200L6E	4DA3F47KE	575	3	15.6	106	2	3/4	3.6	40	50	12	32
LD*1500L6C	4DL3F63KE	208-230	3	47.2	278	2	3/4	8.8	92.8	125	25	70
LD*1500L6E	4DL3F63KE	575	3	18.8	113	2	3/4	3.6	40	50	12	32
LD*2200L6C	4DT3F76KE	208-230	3	57.7	374	2	3/4	8.8	105.9	150	25	70
LD*2200L6E	4DT3F76KE	575	3	21.7	135	2	3/4	3.6	47.5	60	12	38

LARKIN INC.

LD SERIES INDOOR OR OUTDOOR CONDENSING UNITS

3 HP TO 15 HP

DISCUS COMPRESSORS

R22 LOW TEMPERATURE -10°F SUCTION TEMPERATURE



Enhanced grill design gives up to 40% more free-air area than before, and its vertical receiver needs less refrigerant to ensure a solid column of liquid reaches the expansion valve. Fan motors and serviceable glass is conveniently placed so that charging is quick, easy and accurate. Thorough cleaning of the coil is easier because the unit's top is one piece and lighter for easier removal. A liquid vase valve and suction service tap is placed on the outside of the cabinet for easy pump-downs and quick diagnosis. The footprint is smaller for easy job-site placement. These condensing units utilize the patented Floating Tube condenser that eliminates tube-sheet leaks. This coil design allows Larkin to offer you a 5-year warranty against tube-sheet leaks that includes labour and refrigerant.

CAPACITIES

Capacity BTU/hr @ 95°F Ambient Temperature

Order Number	0°F	-10°F	-20°F	-30°F	-40°F
LD*0300L2	28,840	22,160	16,240	11,420	8,030
LD*0400L2	33,310	25,870	19,290	13,760	9,490
LD*0600L2	39,830	31,180	23,540	17,120	12,250
LD*0601L2	44,070	34,760	26,290	19,090	13,570
LD*0750L2	52,700	42,060	32,340	23,960	17,490
LD*0900L2	67,890	53,290	40,440	29,540	21,020
LD*1000L2	72,700	57,230	43,500	31,830	22,500
LD*1200L2	82,860	63,600	46,800	32,800	21,780
LD*1500L2	100,880	79,760	60,820	44,520	31,460
LD*2200L2	116,660	92,430	70,610	52,030	37,530

SPECIFICATIONS

Connections (in)

Order Number	Compressor	Suction	Liquid	Receiver 90% Full (lbs)	Fans	Weight (lbs)	Sound Data dba
LD*0300L2	2DF3-030E	1 1/8	1/2	33	1	737	78
LD*0400L2	2DL3-040E	1 1/8	1/2	33	1	741	78
LD*0600L2	2DB3-060E	1 1/8	1/2	33	1	751	78
LD*0601L2	2DA3-060E	1 1/8	1/2	33	1	781	81
LD*0750L2	3DB3-075E	1 1/8	1/2	33	1	805	81
LD*0900L2	3DF3-090E	1 3/8	5/8	78	2	1,030	82
LD*1000L2	3DS3-100E	1 3/8	5/8	78	2	1,035	82
LD*1200L2	4DA3F46KE	1 5/8	7/8	78	2	1,199	82
LD*1500L2	4DL3F63KE	1 5/8	7/8	78	2	1,234	82
LD*2200L2	4DT3F76KE	1 5/8	7/8	96	2	1,224	82

* T for Outdoor; N for Indoor; S for Beacon II

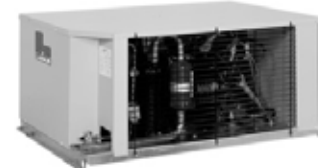
LD SERIES INDOOR OR OUTDOOR CONDENSING UNITS

3 HP TO 15 HP

DISCUS COMPRESSORS

R22 LOW TEMPERATURE -10°F SUCTION TEMPERATURE

ELECTRICAL DATA



Order Number	Compressor	Power Supply		Compressor		Fan Motor			High Amps		Evap.	Defrost
		Volts	Phase	RLA	LRA	Qty	HP	FLA	MCA	MOPD	Fan Amps	Heater Amps
LD*0300L2C	2DF3-030E	208-230	3	14.4	102	1	1/3	2.7	50	50	15	40
LD*0300L2E	2DF3-030E	575	3	6.0	41	1	1/3	1.2	20	20	6.4	16
LD*0400L2C	2DL3-040E	208-230	3	23.6	161	1	1/3	2.7	60	70	15	48
LD*0400L2E	2DL3-040E	575	3	6.9	49	1	1/3	1.2	25	25	6.4	20
LD*0600L2C	2DB3-060E	208-230	3	25.3	161	1	1/3	2.7	75	80	20	60
LD*0600L2E	2DB3-060E	575	3	8.6	63	1	1/3	1.2	30	30	8	24
LD*0601L2C	2DA3-060E	208-230	3	24	150	1	1/3	2.7	75	80	20	60
LD*0601L2E	2DA3-060E	575	3	9.4	62	1	1/3	1.2	30	30	8	24
LD*0750L2C	3DB3-075E	208-230	3	27.6	161	1	1/3	2.7	75	80	20	60
LD*0750L2E	3DB3-075E	575	3	9.9	67	1	1/3	1.2	30	30	8	24
LD*0900L2C	3DF3-090E	208-230	3	33.2	215	2	1/3	5.4	87.5	100	20	70
LD*0900L2E	3DF3-090E	575	3	14.1	84	2	1/3	2.4	35	40	10.4	28
LD*1000L2C	3DS3-100E	208-230	3	37.2	215	2	1/3	5.4	87.5	100	20	70
LD*1000L2E	3DS3-100E	575	3	14.6	84	2	1/3	2.4	35	45	10.4	28
LD*1200L2C	4DA3F46KE	208-230	3	40.9	220	2	3/4	8.8	87.5	100	20	70
LD*1200L2E	4DA3F46KE	575	3	15.6	106	2	3/4	3.6	40	50	12	32
LD*1500L2C	4DL3F63KE	208-230	3	47.2	278	2	3/4	8.8	92.8	125	25	70
LD*1500L2E	4DL3F63KE	575	3	18.8	113	2	3/4	3.6	40	50	12	32
LD*2200L2C	4DT3F76KE	208-230	3	57.7	374	2	3/4	8.8	105.9	150	25	70
LD*2200L2E	4DT3F76KE	575	3	21.7	113	2	3/4	3.6	47.5	60	12	38

LD SERIES INDOOR OR OUTDOOR CONDENSING UNITS

3 HP TO 15 HP

DISCUS COMPRESSORS

R404A / R507 MEDIUM TEMPERATURE 20°F SUCTION TEMPERATURE

Enhanced grill design gives up to 40% more free-air area than before, and its vertical receiver needs less refrigerant to ensure a solid column of liquid reaches the expansion valve. Fan motors and serviceable glass is conveniently placed so that charging is quick, easy and accurate. Thorough cleaning of the coil is easier because the unit's top is one piece and lighter for easier removal. A liquid vase valve and suction service tap is placed on the outside of the cabinet for easy pump-downs and quick diagnosis. The footprint is smaller for easy job-site placement. These condensing units utilize the patented Floating Tube condenser that eliminates tube-sheet leaks. This coil design allows Larkin to offer you a 5-year warranty against tube-sheet leaks that includes labour and refrigerant.



CAPACITIES

Capacity BTU/hr @ 95°F Ambient Temperature

Order Number	-10°F	0°F	15°F	20°F	30°F
LD*0500M6	19,850	25,650	36,010	39,690	47,090
LD*0501M6	24,040	30,440	41,930	46,000	54,150
LD*0750M6	29,930	37,860	51,600	56,360	65,730
LD*0751M6	36,060	45,780	62,250	67,930	79,180
LD*0800M6	42,820	54,150	73,840	80,710	94,310
LD*1000M6	50,790	64,440	87,000	94,670	109,650
LD*1200M6	61,590	77,190	102,850	111,440	127,950
LD*1500M6	69,910	88,030	118,400	128,750	148,920

LARKIN INC.

LD SERIES INDOOR OR OUTDOOR CONDENSING UNITS

3 HP TO 15 HP

DISCUS COMPRESSORS

R404A / R507 MEDIUM TEMPERATURE 20°F SUCTION TEMPERATURE



SPECIFICATIONS

Order Number	Compressor	Connections (in)		Receiver 90% Full (lbs)	Fans	Weight (lbs)	Sound Data dba
		Suction	Liquid				
LD*0500M6	2DC3R53KE	1 1/8	1/2	28	1	751	78
LD*0501M6	2DD3R63KE	1 1/8	1/2	28	1	751	78
LD*0750M6	2DL3R78KE	1 1/8	1/2	28	1	761	78
LD*0751M6	2DA3R89KE	1 3/8	5/8	67	2	985	82
LD*0800M6	3DA3R10ME	1 3/8	5/8	67	2	1,020	82
LD*1000M6	3DB3R12ME	1 3/8	5/8	67	2	1,045	82
LD*1200M6	3DF3R15ME	1 3/8	5/8	67	2	1,065	82
LD*1500M6	3DS3R17ME	1 5/8	7/8	67	2	1,182	81

ELECTRICAL DATA

Order Number	Compressor	Power Supply		Compressor		Fan Motor			High Amps		Evap.	Defrost
		Volts	Phase	RLA	LRA	Qty	HP	FLA	MCA	MOPD	Fan Amps	Heater Amps
LD*0500M6C	2DC3R53KE	208-230	3	20	120	1	1/3	2.7	42.7	60	15	40
LD*0500M6E	2DC3R53KE	575	3	6.9	49	1	1/3	1.2	16.3	20	6.4	16
LD*0501M6C	2DD3R63KE	208-230	3	20	120	1	1/3	2.7	42.7	60	15	40
LD*0501M6E	2DD3R63KE	575	3	7.1	49	1	1/3	1.2	16.5	20	6.4	16
LD*0750M6C	2DL3R78KE	208-230	3	28.3	169	1	1/3	2.7	58.1	80	20	48
LD*0750M6E	2DL3R78KE	575	3	11.9	67	1	1/3	1.2	24	35	8	20
LD*0751M6C	2DA3R89KE	208-230	3	28.7	169	2	1/3	5.4	61.3	90	20	48
LD*0751M6E	2DA3R89KE	575	3	11.9	67	2	1/3	2.4	25.3	35	8	20
LD*0800M6C	3DA3R10ME	208-230	3	36.8	215	2	1/3	5.4	77.4	100	26	70
LD*0800M6E	3DA3R10ME	575	3	14.7	84	2	1/3	2.4	31.2	45	10.4	28
LD*1000M6C	3DB3R12ME	208-230	3	39.1	215	2	1/3	5.4	80.3	100	26	70
LD*1000M6E	3DB3R12ME	575	3	14.8	84	2	1/3	2.4	31.3	45	10.4	28
LD*1200M6C	3DF3R15ME	208-230	3	43.2	275	2	1/3	5.4	85.4	100	26	70
LD*1500M6C	3DS3R17ME	208-230	3	53.5	575	2	3/4	8.8	100	125	20	80
LD*1500M6E	3DS3R17ME	575	3	21.2	110	2	3/4	3.6	60	60	12	48

LD SERIES INDOOR OR OUTDOOR CONDENSING UNITS

3 HP TO 15 HP

DISCUS COMPRESSORS

R22 HIGH TEMPERATURE 25°F SUCTION TEMPERATURE

Enhanced grill design gives up to 40% more free-air area than before, and its vertical receiver needs less refrigerant to ensure a solid column of liquid reaches the expansion valve. Fan motors and serviceable glass is conveniently placed so that charging is quick, easy and accurate. Thorough cleaning of the coil is easier because the unit's top is one piece and lighter for easier removal. A liquid vase valve and suction service tap is placed on the outside of the cabinet for easy pump-downs and quick diagnosis. The footprint is smaller for easy job-site placement. These condensing units utilize the patented Floating Tube condenser that eliminates tube-sheet leaks. This coil design allows Larkin to offer you a 5-year warranty against tube-sheet leaks that includes labour and refrigerant.



CAPACITIES

Capacity BTU/hr @ 95°F Ambient Temperature

Order Number	10°F	20°F	25°F	30°F	40°F
LD*0500H2	30,960	39,060	43,380	47,830	57,000
LD*0501H2	35,800	44,680	49,380	54,200	64,090
LD*0750H2	46,500	56,450	61,680	67,480	78,200
LD*0751H2	54,120	65,540	71,930	78,700	93,130
LD*0800H2	65,890	80,610	88,450	96,520	113,110
LD*1000H2	77,290	94,230	103,250	112,540	131,720
LD*1200H2	86,170	104,950	115,210	125,900	148,190
LD*1500H2	99,390	122,270	134,780	147,820	174,980

SPECIFICATIONS

Order Number	Compressor	Connections (in)		Receiver 90% Full (lbs)	Fans	Weight (lbs)	Sound Data dba
		Suction	Liquid				
LD*0500H2	2DC3-050E	1 1/8	1/2	33	1	751	78
LD*0501H2	2DD3-050E	1 1/8	1/2	33	1	751	78
LD*0750H2	2DL3-075E	1 1/8	1/2	33	1	761	78
LD*0751H2	2DA3-075E	1 3/8	5/8	78	2	985	82
LD*0800H2	3DA3-075E	1 3/8	5/8	78	2	1020	82
LD*1000H2	3DB3-100E	1 3/8	5/8	78	2	1045	82
LD*1200H2	3DF3-120E	1 3/8	5/8	78	2	1065	82
LD*1500H2	3DS3R17ME	1 5/8	7/8	96	2	1182	81

ELECTRICAL DATA

Order Number	Compressor	Power Supply		Compressor		Fan Motor			High Amps		Evap.	Defrost
		Volts	Phase	RLA	LRA	Qty	HP	FLA	MCA	MOPD	Fan Amps	Heater Amps
LD*0500H2C	2DC3-050E	208-230	3	20	120	1	1/3	2.7	50	60	15	40
LD*0500H2E	2DC3-050E	575	3	6.9	49	1	1/3	1.2	20	20	6.4	16
LD*0501H2C	2DD3-050E	208-230	3	20	120	1	1/3	2.7	50	60	15	40
LD*0501H2E	2DD3-050E	575	3	7.1	49	1	1/3	1.2	20	20	6.4	16
LD*0750H2C	2DL3-075E	208-230	3	28.3	169	1	1/3	2.7	60	80	20	48
LD*0750H2E	2DL3-075E	575	3	11.9	67	1	1/3	1.2	25	35	8	20
LD*0751H2C	2DA3-075E	208-230	3	28.7	169	2	1/3	5.4	61.3	90	20	48
LD*0751H2E	2DA3-075E	575	3	11.9	67	2	1/3	2.4	25.3	35	8	20
LD*0800H2C	3DA3-075E	208-230	3	36.8	215	2	1/3	5.4	87.5	100	20	70
LD*0800H2E	3DA3-075E	575	3	14.7	84	2	1/3	2.4	35	45	10.4	28
LD*1000H2C	3DB3-100E	208-230	3	39.1	215	2	1/3	5.4	87.5	110	20	70
LD*1000H2E	3DB3-100E	575	3	14.8	84	2	1/3	2.4	35	45	10.4	28
LD*1200H2C	3DF3-120E	208-230	3	43.2	275	2	3/4	5.4	87.5	110	20	70
LD*1500H2C	3DS3R17ME	208-230	3	53.5	275	2	3/4	8.8	100	125	20	80
LD*1500H2E	3DS3R17ME	575	3	21.2	110	2	3/4	3.6	60	60	12	48

LARKIN INC.

HWN SERIES WATER COOLED CONDENSING UNITS

1/2 HP TO 5 HP

HERMETIC COMPRESSORS

R22 MEDIUM AND HIGH TEMPERATURE

HWN are part of the water cooled hermetic and scroll condensing unit line, 1/2 to 6 HP.

The new condensing units component selection, location, base and unit dimensions are all optimized for easy field replacements or in new installations where space is limited. Extra space is provided inside the electrical box for easy servicing. The area is large enough to accommodate circuit breakers, compressor contactors time clocks and all start components in one enclosure. Standard features include: compressor isolation valves that enable service technicians to isolate the compressor for service. Also standard is the extra capacity receiver which provides total refrigerant pump down. Ideal for units requiring long line runs. These units are available with Copeland hermetic, scroll low and medium temperature compressors as well as hermetic low temperature compressors for HCFC-22 and HFC-404A. These units are UL listed for the USA and Canada.



CAPACITIES

Capacity BTU/hr Suction Temperature *

Order Number	Compressor	0°F	10°F	20°F	30°F	40°F
HWN005H2	ART82C1	3,220	4,220	5,390	6,860	87,600
HWN008H2	RS64C2	3,840	5,530	7,500	9,820	11,900
HWN010H2	RS70C1	4,550	6,600	8,810	11,350	14,280
HWN015H2	CR18KQ	5,700	8,190	11,240	14,860	19,100
HWN020H2	CR24KQ	7,120	10,330	14,330	19,190	25,100
HWN030H2	CR37KQ	11,950	17,140	23,660	31,640	41,470
HWN040H2	CR53KQ	14,850	23,880	33,740	44,620	56,820
HWN050H2	CRN5-0500	21,510	30,630	40,460	51,570	64,890

SPECIFICATIONS

Connections (in)

Order Number	Compressor	Suction	Liquid	Water In (FPT)	Water Out (MPT)	L x W x H (in)	Ship Weight (lbs)
HWN005H2	ART82C1	1/2	3/8	1/2	1/2	22 x 14 x 17	77
HWN008H2	RS64C2	1/2	3/8	1/2	1/2	22 x 14 x 17	92
HWN010H2	RS70C1	5/8	3/8	1/2	1/2	22 x 14 x 17	91
HWN015H2	CR18KQ	5/8	3/8	1/2	1/2	27 x 22 x 21	136
HWN020H2	CR24KQ	5/8	3/8	1/2	1/2	27 x 22 x 21	141
HWN030H2	CR37KQ	7/8	1/2	1/2	1/2	29 x 25 x 28	174
HWN040H2	CR53KQ	7/8	1/2	1/2	1/2	29 x 25 x 28	196
HWN050H2	CRN5-0500	7/8	1/2	3/4	3/4	29 x 25 x 28	221

ELECTRICAL DATA

Compressor MCA MOPD Amps

Order Number	Compressor	Volts/Phase	RLA	LRA	Air	Electric	Air	Electric	Evaporator Fan	Defrost Heater
HWN005H2B	ART82C1-CAV	208-230/1	5.9	30	15	20	15	20	8	15
HWN008H2B	RS64C2-PAV	208-230/1	6.9	37	15	20	15	20	8	15
HWN010H2B	RS70C1-PFV	208-230/1	6.3	34.2	15	20	15	20	7	15
HWN010H2C	RS70C1-TFC	208-230/3	4.2	31	15	20	15	20	8.6	15
HWN015H2B	CR18KQ-PFV	208-230/1	8.1	47	15	24	15	25	6	19
HWN015H2C	CR18KQ-TF5	208-230/3	4.9	40	15	24	15	25	7	19
HWN015H2D	CR18KQ-TFD	460/3	2.8	23	15	20	15	20	9	15
HWN020H2B	CR24KQ-PFV	208-230/1	12.2	70.5	20	29	25	30	6	23
HWN020H2C	CR24KQ-TF5	208-230/3	6.7	40	15	24	15	25	9	19
HWN020H2D	CR24KQ-TFD	460/3	3.6	28	15	20	15	20	8.5	15
HWN030H2B	CR37KQ-PFV	208-230/1	16.7	100.3	21	38	35	45	12	30
HWN030H2C	CR37KQ-TF5	208-230/3	9.9	85	15	38	20	40	12	30
HWN030H2D	CRJ3-0300-TFD	460/3	5	39	15	24	15	25	9	19
HWN040H2B	CR53KQ-PFV	208-230/1	26	140	33	45	50	60	12	35
HWN040H2C	CR53KQ-TF5	208-230/3	16.3	107	20	38	35	45	12	30
HWN040H2D	CR53KQ-TFD	460/3	8.7	55	15	29	15	30	11	23
HWN050H2B	CRN5-0500-PFV	208-230/1	30.8	142	39	59	50	60	12	47
HWN050H2C	CRN5-0500-TF5	208-230/3	19.2	130	24	37.5	40	50	12	30
HWN050H2D	CRN5-0500-TFD	460/3	8.7	65	15	29	15	30	10	23

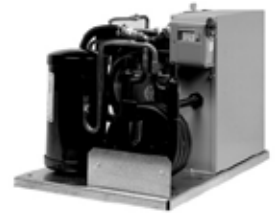
HWN SERIES WATER COOLED CONDENSING UNITS

1/2 HP TO 5 HP

HERMETIC COMPRESSORS

R404A EXTENDED TEMPERATURE

CAPACITIES



Order Number	Compressor	Capacity BTU/hr Suction Temperature *						
		-25°F	-20°F	-10°F	0°F	10°F	20°F	30°F
HWN005X6	RS43C2E	1,280	1,540	2,210	2,950	4,060	5,500	7,300
HWN008X6	RS55C2E	1,590	2,010	2,800	3,980	5,280	6,800	8,800
HWN009X6	RS64C2E	2,060	2,560	3,695	4,953	6,395	8,019	9,947
HWN010X6	RS70C1E	1,600	2,335	3,770	5,200	6,800	8,700	11,200
HWN015X6	CS10K6E	2,000	2,815	4,580	6,930	9,710	12,900	16,300
HWN020X6	CS12K6E	2,650	3,615	5,670	8,340	11,490	15,100	19,200
HWN025X6	CS14K6E	3,840	4,900	7,160	10,140	13,630	17,500	21,800
HWN030X6	CS18K6E	4,590	5,825	8,570	12,600	17,400	22,700	28,300
HWN032X6	CS20K6E	4,650	6,505	10,110	14,210	19,220	25,600	34,000
HWN040X6	CS27K6E	6,819	8,628	12,406	17,547	23,901	31,622	40,740
HWN050X6	CS33K6E	8,100	10,515	15,433	21,505	28,838	37,733	48,694

SPECIFICATIONS

Order Number	Compressor	Connections (in)				L x W x H (in)	Ship Weight (lbs)
		Suction	Liquid	Water In (FPT)	Water Out (MPT)		
HWN005X6	RS43C2E	1/2	3/8	1/2	1/2	22 x 14 x 17	98
HWN008X6	RS55C2E	1/2	3/8	1/2	1/2	22 x 14 x 17	98
HWN009X6	RS64C2E	5/8	3/8	1/2	1/2	22 x 14 x 17	103
HWN010X6	RS70C1E	5/8	3/8	1/2	1/2	22 x 14 x 17	107
HWN015X6	CS10K6E	5/8	3/8	1/2	1/2	27 x 22 x 21	148
HWN020X6	CS12K6E	7/8	3/8	1/2	1/2	27 x 22 x 21	148
HWN025X6	CS14K6E	7/8	3/8	1/2	1/2	27 x 22 x 21	152
HWN030X6	CS18K6E	7/8	1/2	1/2	1/2	27 x 22 x 28	172
HWN032X6	CS20K6E	7/8	1/2	1/2	1/2	27 x 22 x 28	182
HWN040X6	CS27K6E	7/8	1/2	1/2	1/2	29 x 25 x 28	183
HWN050X6	CS33K6E	7/8	1/2	1/2	1/2	29 x 25 x 28	207

ELECTRICAL DATA

Order Number	Compressor	Volts/Phase	Compressor		MCA		MOPD		Amps	
			RLA	LRA	Air	Electric	Air	Electric	Evaporator Fan	Defrost Heater
HWN005X6B	RS43C2E-CAV	208-230/1	4.8	24.1	15	20	15	20	8	15
HWN008X6B	RS55C2E-CAV	208-230/1	5.4	40	15	20	15	20	8	15
HWN009X6B	RS64C2E-CAV	208-230/1	6.9	37	15	20	15	20	7	15
HWN010X6B	RS70C1-PFV	208-230/1	6.3	34.2	15	20	15	20	7	15
HWN010X6C	RS70C1E-TFC	208-230/3	4.2	31	15	20	15	20	8.6	15
HWN015X6B	CS10K6E-PFV	208-230/1	9.8	56	15	24	20	25	6	19
HWN015X6C	CS10K6E-TF5	208-230/3	6.7	51	15	20	15	20	7	15
HWN020X6B	CS12K6E-PFV	208-230/1	9.8	56	15	24	20	25	6	19
HWN020X6C	CS12K6E-TF5	208-230/3	6.7	51	15	25	15	25	9	19
HWN025X6B	CS14K6E-PFV	208-230/1	11.2	61	15	29	20	30	6	23
HWN025X6C	CS14K6E-TF5	208-230/3	8.2	55	15	24	15	25	9	19
HWN025X6D	CS14K6E-TFD	460/3	4.2	28	15	20	15	20	8.3	15
HWN030X6B	CS18K6E-PFV	208-230/1	14.4	82	18	38	30	40	12	30
HWN030X6C	CS18K6E-TF5	208-230/3	9.4	65.5	15	29	20	30	7	23
HWN030X6D	CS18K6E-TFD	460/3	3.9	33	15	24	15	25	10	19
HWN032X6B	CS20K6E-PFV	208-230/1	16.7	96	21	38	30	50	12	30
HWN032X6C	CS20K6E-TF5	208-230/3	10.3	75	15	29	20	30	7	23
HWN032X6D	CS20K6E-TFD	460/3	4.6	40	15	24	15	25	10	19
HWN040X6B	CS27K6E-PFV	208-230/1	21.5	121	27	44	45	60	12	35
HWN040X6C	CS27K6E-TF5	208-230/3	13.7	105	20	38	30	40	12	30
HWN040X6D	CS27K6E-TFD	460/3	7.6	52	15	29	15	30	11	23
HWN050X6B	CS33K6E-PFV	208-230/1	27.6	125	35	59	50	60	12	47
HWN050X6C	CS33K6E-TF5	208-230/3	16.8	102	21	38	35	45	12	30
HWN050X6D	CS33K6E-TFD	460/3	8.8	48	15	29	15	30	10	23

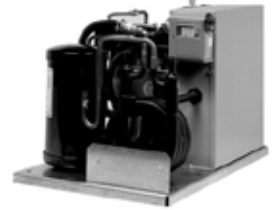
LARKIN INC.

HWN AND HWZ SERIES WATER COOLED CONDENSING UNITS

HERMETIC COMPRESSORS

R404A LOW TEMPERATURE - 1/2 - 5 HP

HWN are part of the water cooled hermetic and scroll condensing unit line, 1/2 to 6 HP. The new condensing units component selection, location, base and unit dimensions are all optimized for easy field replacements or in new installations where space is limited. Extra space is provided inside the electrical box for easy servicing. The area is large enough to accommodate circuit breakers, compressor contactors time clocks and all start components in one enclosure. Standard features include: compressor isolation valves that enable service technicians to isolate the compressor for service. Also standard is the extra capacity receiver which provides total refrigerant pump down. Ideal for units requiring long line runs. These units are available with Copeland hermetic, scroll low and medium temperature compressors as well as hermetic low temperature compressors for HCFC-22 and HFC-404A. These units are UL listed for the USA and Canada.



CAPACITIES

Capacity BTU/hr Suction Temperature *

Order Number	Compressor	Capacity BTU/hr Suction Temperature *					
		-30°F	-25°F	-20°F	-10°F	0°F	10°F
HWN011L6	CF04K6E	2,080	2,810	3,570	5,310	7,590	10,680
HWN014L6	CF06K6E	3,770	4,810	5,990	8,700	11,780	15,070
HWN025L6	CF09K6E	5,560	7,040	8,720	12,590	17,060	21,970
HWN031L6	CF12K6E	7,550	9,510	11,570	16,060	21,180	27,140

SPECIFICATIONS

Connections (in)

Order Number	Compressor	Connections (in)				L x W x H (in)	Ship Weight (lbs)
		Suction	Liquid	Water In FPT	Water Out MPT		
HWN011L6	CF04K6E	5/8	3/8	1/2	1/2	27 x 22 x 21	114
HWN014L6	CF06K6E	5/8	3/8	1/2	1/2	27 x 22 x 21	114
HWN025L6	CF09K6E	5/8	3/8	1/2	1/2	27 x 22 x 21	120
HWN031L6	CF12K6E	7/8	1/2	1/2	1/2	27 x 22 x 21	136

ELECTRICAL DATA

Order Number	Compressor	Volts/Phase	Compressor		MCA		MOPD		Amps		
			RLA	LRA	Air	Electric	Air	Electric	Evaporator Fan	Defrost Heater	
HWN011L6B	CF04K6E-PFV	208-230/1	9.6	59.2	15	20	15	20	8	15	
HWN011L6C	CF04K6E-TF5	200-230/3	649	52	15	20	15	20	8	15	
HWN014L6B	CF06K6E-PFV	208-230/1	11.4	59.2	15	20	20	25	4	23	
HWN014L6C	CF06K6E-TF5	200-230/3	7	52	15	20	15	20	9	19	
HWN025L6B	CF09K6E-PFV	208-230/1	16.7	87	20	25	30	35	6	30	
HWN025L6C	CF09K6E-TF5	200-230/3	10.2	72.2	15	20	20	25	7	19	
HWN031L6B	CF12K6E-PFV	208-230/1	19	105	21	38	35	50	12	30	
HWN031L6C	CF12K6E-TF5	200-230/3	11.9	85	15	29	20	30	7	23	
HWN031L6D	CF12K6E-TFD	460/3	5.9	42	15	24	15	25	10	19	

ZWN SCROLL SERIES WATER COOLED CONDENSING UNITS

SCROLL COMPRESSORS

R404A LOW TEMPERATURE

Features a complete line of Copeland's Glacier refrigeration scroll compressors. These condensing units have an oversized condenser which allows units to operate in high ambient for 35°F boxes and below. UL listed for the United States and Canada.



CAPACITIES

Order Number	Compressor	Capacity BTU/hr Suction Temperature *					
		-40°F	-30°F	-25°F	-20°F	-10°F	0°F
ZWN030L6	ZF09K4E	6,380	8,270	9,370	10,500	13,200	16,300
ZWN035L6	ZF11K4E	7,900	10,170	11,500	12,900	16,200	20,200
ZWN045L6	ZF13K4E	8,570	11,480	13,200	15,000	19,100	23,800
ZWN055L6	ZF15K4E	11,080	14,480	16,400	18,500	23,300	28,900
ZWN060L6	ZF18K4E	13,260	17,260	19,500	22,000	27,700	34,500

SPECIFICATIONS

Order Number	Compressor	Connections (in)				L x W x H (in)	Ship Weight (lbs)
		Suction	Liquid	Water In (FPT)	Water Out (MPT)		
ZWN030L6	ZF09K4E	7/8	1/2	1/2	1/2	27 x 22 x 28	159
ZWN035L6	ZF11K4E	7/8	1/2	1/2	1/2	27 x 22 x 28	165
ZWN045L6	ZF13K4E	7/8	1/2	1/2	1/2	27 x 22 x 28	185
ZWN055L6	ZF15K4E	7/8	1/2	1/2	1/2	27 x 22 x 28	201
ZWN060L6	ZF18K4E	7/8	1/2	1/2	1/2	29 x 25 x 28	207

ELECTRICAL DATA

Order Number	Compressor	Volts/Phase	Compressor		MCA		MOPD		Amps	
			RLA	LRA	Air	Electric	Air	Electric	Evaporator Fan	Defrost Heater
ZWN030L6B	ZF09K4E-PFV	208-230/1	14.7	88	18	38	30	45	12	30
ZWN030L6C	ZF09K4E-TF5	208-230/3	9.9	77	15	24	20	25	6	19
ZWN030L6D	ZF09K4E-TFD	460/3	5.1	39	15	24	15	25	10	19
ZWN035L6B	ZF11K4E-PFV	208-230/1	18.6	109	23	38	40	50	12	30
ZWN035L6C	ZF11K4E-TF5	208-230/3	12.2	88	15	29	25	30	6	23
ZWN035L6D	ZF11K4E-TFD	460/3	6.4	44	15	24	15	25	10	19
ZWN045L6B	ZF13K4E-PFV	208-230/1	24	129	30	41	50	60	11	30
ZWN045L6C	ZF13K4E-TF5	208-230/3	13.5	99	17	38	30	40	11	30
ZWN045L6D	ZF13K4E-TFD	460/3	7.4	49.5	15	24	15	25	9	19
ZWN055L6B	ZF14K4E-PFV	208-230/1	28.8	169	36	38	60	60	10	30
ZWN055L6C	ZF15K4E-TF5	208-230/3	19.2	123	24	38	40	50	10	30
ZWN055L6D	ZF15K4E-TFD	460/1	8.7	62	15	25	15	25	8	19
ZWN060L8C	ZF18K4E-TF5	208-230/3	21.5	156	27	44	45	60	12	35
ZWN060L8D	ZF18K4E-TFD	460/3	8.3	70	15	29	15	30	11	23

LARKIN INC.

ZWN SERIES WATER COOLED CONDENSING UNITS

SCROLL COMPRESSORS

R404A EXTENDED TEMPERATURE

Features a complete line of Copeland's Glacier refrigeration scroll compressors. These condensing units have an oversized condenser which allows units to operate in high ambient for 35°F boxes and below. UL listed for the United States and Canada.



CAPACITIES

Capacity BTU/hr Suction Temperature *

Order Number	Compressor	-25°F	-20°F	-10°F	0°F	10°F	20°F	30°F	40°F
ZWN030X6	ZS21K4E	9,010	10,230	12,840	16,070	19,740	24,110	29,310	35,200
ZWN035X6	ZS26K4E	11,270	12,740	15,910	19,930	24,490	29,950	36,400	43,650
ZWN045X6	ZS30K4E	12,810	14,390	17,960	22,870	28,480	35,030	42,320	50,100
ZWN055X6	ZS38K4E	15,920	18,050	22,640	28,420	34,970	42,780	51,980	62,350
ZWN060X6	ZS45K4E	19,220	21,820	27,360	34,160	41,850	51,090	62,130	74,750

SPECIFICATIONS

Connections (in)

Order Number	Compressor	Suction	Liquid	Water In (FPT)	Water Out (MPT)	L x W x H (in)	Ship Weight (lbs)
ZWN030X6	ZS21K4E	7/8	1/2	1/2	1/2	29 x 25 x 28	171
ZWN035X6	ZS26K4E	7/8	1/2	1/2	1/2	29 x 25 x 28	186
ZWN045X6	ZS30K4E	7/8	1/2	1/2	1/2	29 x 25 x 28	207
ZWN055X6	ZS38K4E	7/8	1/2	3/4	3/4	29 x 25 x 28	226
ZWN060X6	ZS45K4E	7/8	1/2	3/4	3/4	29 x 25 x 28	241

ELECTRICAL DATA

Order Number	Compressor	Volts/Phase	Compressor		MCA		MOPD		Amps		
			RLA	LRA	Air	Electric	Air	Electric	Evaporator Fan	Defrost Heater	
ZWN030X6B	ZS21K4E-PFV	208-230/1	14.7	88	18.4	38	30	45	12	30	
ZWN030X6C	ZS21K4E-TF5	208-230/3	9.9	77	15	38	20	40	12	30	
ZWN030X6D	ZS21K4E-TFD	460/3	5.1	39	15	24	15	25	10	19	
ZWN035X6B	ZS26K4E-PFV	208-230/1	18.6	109	23.2	38	40	50	12	30	
ZWN035X6C	ZS26K4E-TF5	208-230/3	12.2	88	15.2	38	25	40	12	30	
ZWN035X6D	ZS26K4E-TFD	460/3	6.4	44	15	24	15	25	9	19	
ZWN045X6B	ZS30K4E-PFV	208-230/1	24	129	30	59	50	60	11	47	
ZWN045X6C	ZS30K4E-TF5	208-230/3	13.5	99	17	44	30	45	12	35	
ZWN045X6D	ZS30K4E-TFD	460/3	7.4	49.5	15	29	15	30	11	23	
ZWN055X6B	ZS38K4E-PFV	208-230/1	28.8	169	36	59	60	60	12	47	
ZWN055X6C	ZS38K4E-TF5	208-230/3	19.2	123	24	44	40	50	12	35	
ZWN055X6D	ZS38K4E-TFD	460/3	8.7	62	15	29	15	30	10	23	
ZWN060X6C	ZS45K4E-TF5	208-230/3	21.5	156	27	38	45	60	12	30	
ZWN060X6D	ZS45K4E-TFD	460/3	8.3	70	15	29	15	30	10.6	23	

PRO3 PACKAGED INDOOR REFRIGERATION SYSTEMS

COOLERS AIR DEFROST SYSTEMS R22

Larkin brings you the simplest, most reliable walk-in refrigeration system solution in a single package! The PRO3 system comes ready to mount on top of the cooler or freezer and requires minimal space. The evaporator portion of PRO3 sits flush in the ceiling, allowing for maximum use of refrigerated space inside the box.



115V @ 60 HZ, 1 PHASE

Order Number	BTU/hr @ 95°F		MCA	MOPD	Unit Amps	Evaporator		Ship Weight (lbs)
	35°F Box	38°F Box				CFM	H x W x D (in)	
PTN024H2A	2,540	2,650	10.2	15	8.7	34	15.3 x 28.1 x 24.4	88
PTN029H2A	3,070	3,180	10.6	15	9	340	15.3 x 28.1 x 24.4	90
PTN040H2A	4,240	4,350	11.7	15	9.9	340	15.3 x 28.1 x 24.4	92
PTN047H2A	4,980	5,300	16.9	20	14.2	350	17.5 x 52 x 28.5	192

208-230V @ 60 HZ, 1 PHASE

Order Number	BTU/hr @ 95°F		MCA	MOPD	Unit Amps	Evaporator		Ship Weight (lbs)
	35°F Box	38°F Box				CFM	H x W x D (in)	
PTN047H2B	4,980	5,300	8.6	15	7.3	350	17.5 x 52 x 28.5	192
PTN063H2B	6,680	7,100	9.8	15	8.4	550	17.5 x 52 x 28.5	207
PTN072H2B	7,630	8,060	10.9	15	9.3	500	17.5 x 52 x 28.5	211
PTN099H2B	10,490	11,340	17.1	20	14.7	875	19 x 52 x 42	270
PTN128H2B	13,570	14,520	20.1	30	17.1	825	19 x 52 x 42	290

208-230V @ 60 HZ, 3 PHASE

Order Number	BTU/hr @ 95°F		MCA	MOPD	Unit Amps	Evaporator		Ship Weight (lbs)
	35°F Box	38°F Box				CFM	H x W x D (in)	
PTN099H2C	10,490	11,340	14.7	20	13.3	875	19 x 52 x 42	265
PTN128H2C	13,570	14,520	14.1	20	12.8	825	19 x 52 x 42	285

FREEZERS ELECTRIC DEFROST SYSTEMS R404A

115V @ 60 HZ, 1 PHASE

Order Number	BTU/hr @ 95°F			MCA	MOPD	Unit Amps	Evaporator		Ship Weight (lbs)
	0°F Box	-10°F Box	-20°F Box				CFM	H x W x D (in)	
PTN019L6A	2,470	1,850	-	13	20	11	340	15.3 x 28.1 x 24.4	101
PTN021L6A	2,680	2,160	1,340	13.9	20	11.8	350	17.5 x 52 x 28.5	213

208-230V @ 60 HZ, 1 PHASE

Order Number	BTU/hr @ 95°F			MCA	MOPD	Unit Amps	Evaporator		Ship Weight (lbs)
	0°F Box	-10°F Box	-20°F Box				CFM	H x W x D (in)	
PTN021L6B	2,680	2,160	1,340	7.6	15	6.5	350	17.5 x 52 x 28.5	213
PTN031L6B	4,220	3,190	2,060	13.8	15	11.6	550	17.5 x 52 x 28.5	221
PTN044L6B	5,870	4,530	3,400	15.9	20	13.3	520	17.5 x 52 x 28.5	225
PTN052L6B	7,000	5,360	3,910	17.7	20	15.3	900	19 x 52 x 42	275
PTN069L6B	9,060	7,100	5,250	23.8	30	20	875	19 x 52 x 42	280

208-230V @ 60 HZ, 3 PHASE

Order Number	BTU/hr @ 95°F			MCA	MOPD	Unit Amps	Evaporator		Ship Weight (lbs)
	0°F Box	-10°F Box	-20°F Box				CFM	H x W x D (in)	
PTN052L6C	7,000	5,360	3,910	12.2	15	11.3	900	19 x 52 x 42	270
PTN069L6C	9,060	7,100	5,250	15.9	20	14.2	875	19 x 52 x 42	275

LARKIN INC.

PRO3 SIDE MOUNT PACKAGED REFRIGERATION SYSTEMS

The PRO3 packaged refrigeration systems combine evaporator and condensing unit into one unit - simplifying installation and reducing refrigerant charge - saving time, money and energy. The latest addition to the PRO3 family, the PRO3 Side Mount is optimized for outdoor applications and is ideal for small to medium sized restaurant and convenience store applications where maximum airflow is essential for pulling down the temperature of foods or beverages. The PRO3 Side Mount is also available with electric defrost medium temperature models, ensuring maximum performance in storage applications slightly above freezing.



HIGH / MEDIUM TEMPERATURE

AIR DEFROST - COOLER APPLICATION

208-230V @ 60 HZ, 1 PHASE

BTU/hr @ 95°F

Order Number	35°F Box	38°F Box	MCA	MOPD	Evaporator CFM	Ship Weight (lbs)
PST070H6B*	6,641	6,968	15.0	20.0	625	260
PST090H6B*	8,643	9,064	15.0	20.0	625	265
PST131H6B*	12,448	13,107	15.0	20.0	1,350	320
PST147H6B*	14,081	14,759	15.0	20.0	1,350	325

* H for PSC, E for EC motor on evaporator section only.

MEDIUM TEMPERATURE

ELECTRIC DEFROST - COOLER APPLICATION

208-230V @ 60 HZ, 1 PHASE

BTU/hr @ 95°F

Order Number	35°F Box	MCA	MOPD	Evaporator CFM	Ship Weight (lbs)
PST066M6B*	6,641	15.0	20.0	625	260
PST086M6B*	8,643	15.0	20.0	625	265
PST124M6B*	12,448	15.0	20.0	1,350	320
PST141M6B*	14,081	15.0	20.0	1,350	325

* H for PSC, E for EC motor on evaporator section only.

LOW TEMPERATURE

ELECTRIC DEFROST - FREEZER APPLICATION

208-230V @ 60 HZ, 1 PHASE

BTU/hr @ 95°F

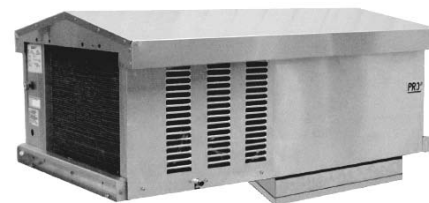
Order Number	0°F Box	-10°F Box	-20°F Box	MCA	MOPD	Evaporator CFM	Ship Weight (lbs)
PST034L6B*	4,746	3,444	2,260	15.0	20.0	625	260
PST051L6B*	6,530	5,121	3,720	15.0	20.0	625	265
PST057L6B*	7,541	5,735	3,918	15.0	20.0	1,350	320
PST077L6B*	10,002	7,716	5,689	20.7	35.0	1,350	325

* H for PSC, E for EC motor on evaporator section only.

PRO3™ PACKAGED OUTDOOR REFRIGERATION SYSTEMS

COOLERS - AIR DEFROST SYSTEMS R-22

208-230V @ 60 HZ, 3 PH.



OUTDOOR UNITS

Order Number	BTU/hr @ 95°F		MOPD	MCA	Unit Amps	CFM	Evaporator	H x W x D (in)	Ship Weight (lbs)
	35°F Box	38°F Box							
PTT047H2B	4,980	5,300	15	8.6	7.3	350		21.5 x 52 x 28.5	192
PTT072H2B	7,630	8,060	15	10.9	9.3	500		21.5 x 52 x 28.5	211
PTT063H2B	6,680	7,100	15	9.8	8.4	550		21.5 x 52 x 28.5	207
PTT099H2B	10,490	11,340	20	17.1	14.7	875		23.5 x 52 x 42	270
PTT128H2B	13,570	14,520	30	20.1	17.1	825		23.5 x 52 x 42	290

FREEZERS—ELECTRIC DEFROST SYSTEMS R404A

208-230V @ 60 HZ, 3 PH.

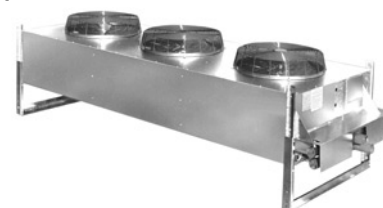
OUTDOOR UNITS

Order Number	BTU/hr @ 95°F			MCA	MOPD	Unit Amps	CFM	Evaporator	H x W x D (in)	Ship Weight (lbs)
	0°F Box	-10°F Box	-20°F Box							
PTT021L6B	2,680	2,160	1,340	7.6	15	6.5	350		21.5 x 52 x 28.5	213
PTT044L6B	5,870	4,530	3,400	15.9	20	13.3	520		23.5 x 52 x 42	225
PTT052L6B	7,000	5,360	3,910	17.7	20	15.3	900		23.5 x 52 x 42	275
PTT069L6B	9,060	7,100	5,250	23.8	30	20.0	875		23.5 x 52 x 42	290
PTT031L6B	4,220	3,190	2,060	13.8	15	11.6	550		21.5 x 52 x 28.5	221

FCB SERIES DIRECT DRIVE AIR COOLED CONDENSERS

1 THROUGH 26 TONS

The industrial standard for remote air cooled applications. There are several features that make this true-versatility and simplicity of design and service are the most recognized. All air cooled condensers have: fully baffled fan sections to provide structural strength and prevent fan wind-milling in the off cycle; multi-circuiting at no extra cost; optional coils with coated or all copper fins are available for corrosive or damaging atmospheres; weatherproof junction box, with motor leads terminating for single point field wiring; availability in either vertical or horizontal arrangement; fan cycling or variable-speed fan cycling for head pressure control; PVC coated steel fan guards.



R-22

Order Number	THR (MBH)	30°F TD *	Fan Data				CFM	L x W x H (in)	Connections (in)		Ship Weight (lbs)
			Fan Qty	HP	FLA @ 230V				Inlet	Outlet	
FCB-1	22.9		1	1/4	2	2,400	37 1/2 x 22 x 22	3/8	3/8	280	
FCB-1-1/2	26.7		1	1/4	2	2,400	37 1/2 x 22 x 22	5/8	5/8	96	
FCB-2	30.5		1	1/4	2	2,400	37 1/2 x 22 x 22	7/8	5/8	96	
FCB-3	47.1		1	1/4	2	2,100	37 1/2 x 22 x 22	7/8	5/8	114	
FCB-5	73		1	1/3	3.4	5,050	39 3/4 x 43 x 40 1/2	1 1/8	7/8	180	
FCB-8	120		1	1/2	3.9	6,450	49 3/4 x 43 x 40 1/2	1 1/8	7/8	260	
FCB-10	146		2	1/4	6.8	10,100	69 3/4 x 43 x 40 1/2	(2) 1 1/8	(2) 7/8	450	
FCB-12	182.4		2	1/2	7.8	12,400	69 3/4 x 43 x 40 1/2	(2) 1 1/8	(2) 7/8	470	
FCB-14	209.6		2	1/2	7.8	13,700	89 3/4 x 43 x 40 1/2	(2) 1 1/8	(2) 7/8	510	
FCB-16	239.6		2	1/2	7.8	12,900	89 3/4 x 43 x 40 1/2	(2) 1 3/8	(2) 1 1/8	530	
FCB-21	314.2		3	1/2	11.7	20,500	129 3/4 x 43 x 40 1/2	(2) 1 5/8	(2) 1 1/8	550	
FCB-23	339.6		3	1/2	11.7	19,900	129 3/4 x 43 x 40 1/2	(2) 1 5/8	(2) 1 1/8	580	
FCB-26	398.2		3	1/2	11.7	19,400	129 3/4 x 43 x 40 1/2	(2) 1 5/8	(2) 1 1/8	625	

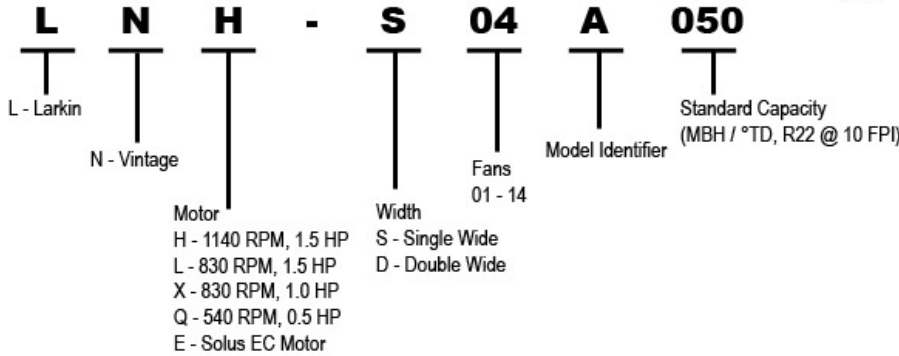
* For HFC-404A and HFC-507, multiply MBH by 0.98. **Note: 208/230/1/60, 3 Phase motors available FCB-5-FCB-26.**

LARKIN INC.

LNH SERIES AIR COOLED CONDENSERS

1140 RPM, 1.5 HP 208-230/3

10 FPI



For customers seeking an economical solution to their capacity requirements, Larkin now offers the 1140 RPM Series with enhancements to improve capacity and serviceability. The 1140 Series features a broader product range with capacities ranging from 15 to 249 nominal tons to address all applications. Features include: Larkin's patent-pending ServiceEase™ motor mount; New, high efficiency condenser coil designed for optimum performance; Expanded product range from 15 to 249 nominal tons; Galvanized steel cabinet with options for aluminum or painted galvanized steel.

SINGLE ROW

Order Number	THR (MBH) 1°F TD * R22			THR (MBH) 1°F TD * R404A			CFM	FLA	MCA	MOPD	H x W x D (in)	Ship Weight (lbs)
	1°F	10°F	15°F	1°F	10°F	15°F						
LNH-S01-A007	7.3	73	109.5	7.2	72	108	9,900	7	15	25	49.13 x 45.43 x 73	330
LNH-S01-A009	8.7	87	130.5	8.6	86	129	9,500	7	15	25	49.13 x 45.43 x 73	360
LNH-S02-A011	10.7	107	160.5	10.5	105	157.5	20,500	14	20	35	49.13 x 45.43 x 127	580
LNH-S02-A015	14.5	145	217.5	14.2	142	213	19,800	14	20	35	49.13 x 45.43 x 127	630
LNH-S02-A017	17.1	171	256.5	16.7	167	250.5	19,000	14	20	35	49.13 x 45.43 x 127	680
LNH-S03-A022	21.8	218	327	21.4	214	321	29,700	21	22.8	40	49.13 x 45.43 x 180	930
LNH-S03-A026	25.7	257	385.5	25.2	252	378	28,500	21	22.8	40	49.13 x 45.43 x 180	1,000
LNH-S04-A037	37.1	371	556.5	36.4	364	546	48,300	35	36.8	50	49.13 x 45.43 x 286	1,510
LNH-S04-A029	29.1	291	436.5	28.5	285	427.5	38,600	28	29.8	45	49.13 x 45.43 x 233	1,210
LNH-S04-A034	34.2	342	513	33.5	335	502.5	37,000	28	29.8	45	49.13 x 45.43 x 233	1,310
LNH-S05-A044	44.0	440	660	43.1	431	646.5	46,200	35	36.8	50	49.13 x 45.43 x 286	1,640
LNH-S06-A053	52.8	528	792	51.7	517	775.5	55,400	42	43.8	60	49.13 x 45.43 x 339	1,950
LNH-S07-A061	61.0	610	915	59.8	598	897	64,700	49	50.8	70	49.13 x 45.43 x 392	2,240

DOUBLE ROW

Order Number	THR (MBH) 1°F TD * R22			THR (MBH) 1°F TD * R404A			CFM	FLA	MCA	MOPD	H x W x D (in)	Ship Weight lbs
	1°F	10°F	15°F	1°F	10°F	15°F						
LNH-D04-A021	21.4	214	321	21	210	315	41,000	28	29.8	45	49.13 x 88 x 127	1,240
LNH-D04-A029	29.1	291	436.5	28.5	285	427.5	39,600	28	29.8	45	49.13 x 88 x 127	1,340
LNH-D04-A034	34.2	342	513	33.5	335	502.5	38,100	28	29.8	45	49.13 x 88 x 127	1,440
LNH-D06-A044	43.6	436	654	42.8	428	642	59,400	42	43.8	60	49.13 x 88 x 180	1,990
LNH-D06-A051	51.3	513	769.5	50.3	503	754.5	57,100	42	43.8	60	49.13 x 88 x 180	2,140
LNH-D08-A058	58.2	582	873	57	570	855	77,200	56	57.8	70	49.13 x 88 x 233	2,630
LNH-D08-A068	68.4	684	1,026	67.1	671	1,006.5	73,900	56	57.8	70	49.13 x 88 x 233	2,830
LNH-D10-A074	74.2	742	1,113	72.7	727	1,090.5	96,500	70	71.8	90	49.13 x 88 x 286	3,290
LNH-D10-A088	88.0	880	1,320	86.2	862	1,293	92,400	70	71.8	90	49.13 x 88 x 286	3,540
LNH-D12-A106	105.6	1,056	1,584	103.5	1,035	1,552.5	110,900	84	85.8	100	49.13 x 88 x 339	4,230
LNH-D14-A122	121.9	1,219	1,828.5	119.5	1,195	1,792.5	129,400	98	99.8	110	49.13 x 88 x 392	4,910

ALTUS SERIES - LNL - AIR COOLED CONDENSERS

830 RPM, 1.5 HP MOTORS 208-230/3

10 FPI

Excellence in sound, energy and capacity solutions.

The Altus Series of condensers by Larkin utilizes 830 and 540 RPM motors and incorporates advanced features that further improve sound levels and energy efficiencies, as well as provide increased capacity in a smaller footprint. In addition, there are new features

designed to improve serviceability, resulting in reduced maintenance costs. The Altus series is a perfect fit for applications requiring low sound and energy levels and optimized capacities. Features include: direct drive fan motors in 830 and 540 RPM; the patented QuietEdge™ fan blade provides an unprecedented sound level of 49.6 dBA (540 RPM @ 10 ft.); Larkin's patent-pending ServiceEase™ motor mount feature, allows for ease of motor service and reduces likelihood of damage to the coils during servicing; Larkin condenser coils incorporate the latest advancements in coil technology to provide maximum capacity; broader product range to address all applications – complete range of capacities ranging from 11 to 225 nominal tons' galvanized steel cabinet with an option for aluminum or painted galvanized steel; high efficiency three phase fan motors with ball bearings and internal overload protection.



SINGLE ROW

Order Number	THR (MBH) 1°F TD * R22			THR (MBH) 1°F TD * R404A			CFM	FLA	MCA	MOPD	H x W x L (in)	Ship
	1°F	10°F	15°F	1°F	10°F	15°F						Weight (lbs)
LNL-S01-A007	6.7	67	100.5	6.6	66	99	8,400	6.6	15	25	49.13 x 45.43 x 73	330
LNL-S01-A008	8	80	120	7.8	78	117	8,000	6.6	15	25	49.13 x 45.43 x 73	360
LNL-S02-A010	10.1	101	151.5	9.9	99	148.5	17,500	13.2	15	30	49.13 x 45.43 x 127	580
LNL-S02-A014	13.9	139	208.5	13.6	136	204	16,700	13.2	15	30	49.13 x 45.43 x 127	630
LNL-S02-A016	16.1	161	241.5	15.8	158	237	16,100	13.2	15	30	49.13 x 45.43 x 127	680
LNL-S03-A021	20.9	209	313.5	20.5	205	307.5	25,100	19.8	21.5	35	49.13 x 45.43 x 180	930
LNL-S03-A024	24.2	242	363	23.8	238	357	24,100	19.8	21.5	35	49.13 x 45.43 x 180	1,000
LNL-S04-A028	27.8	278	417	27.3	273	409.5	32,800	26.4	28.1	45	49.13 x 45.43 x 233	1,210
LNL-S04-A032	32.3	323	484.5	31.7	317	475.5	31,200	26.4	28.1	45	49.13 x 45.43 x 233	1,310
LNL-S05-A035	35.5	355	532.5	34.7	347	520.5	41,000	33	34.7	50	49.13 x 45.43 x 286	1,510
LNL-S05-A042	41.6	416	624	40.8	408	612	39,100	33	34.7	50	49.13 x 45.43 x 286	1,640
LNL-S06-A050	49.9	499	748.5	48.9	489	733.5	46,900	39.6	41.3	50	49.13 x 45.43 x 339	1,950
LNL-S07-A055	55	550	825	53.9	539	808.5	54,700	46.2	47.9	60	49.13 x 45.43 x 392	2,240

DOUBLE ROW

Order Number	THR (MBH) 1°F TD * R22			THR (MBH) 1°F TD * R404A			CFM	FLA	MCA	MOPD	H x W x L (in)	Ship
	1°F	10°F	15°F	1°F	10°F	15°F						Weight (lbs)
LNL-D04-A020	20.2	202	303	19.8	198	297	35,000	26.4	28.1	45	49.13 x 88 x 127	1,240
LNL-D04-A028	27.8	278	417	27.3	273	409.5	33,500	26.4	28.1	45	49.13 x 88 x 127	1,340
LNL-D04-A032	32.3	323	484.5	31.7	317	475.5	32,100	26.4	28.1	45	49.13 x 88 x 127	1,440
LNL-D06-A042	41.8	418	627	40.9	409	613.5	50,200	39.6	41.3	50	49.13 x 88 x 180	1,990
LNL-D06-A048	48.4	484	726	47.5	475	712.5	48,200	39.6	41.3	50	49.13 x 88 x 180	2,140
LNL-D08-A056	55.7	557	835.5	54.6	546	819	65,600	52.8	54.5	70	49.13 x 88 x 233	2,630
LNL-D08-A065	64.6	646	969	63.3	633	949.5	62,500	52.8	54.5	70	49.13 x 88 x 233	2,830
LNL-D10-A071	70.9	709	1,063.5	69.5	695	1,042.5	82,000	66	67.7	80	49.13 x 88 x 286	3,290
LNL-D10-A083	83.1	831	1,246.5	81.5	815	1,222.5	78,100	66	67.7	80	49.13 x 88 x 286	3,540
LNL-D12-A100	99.8	998	1,497	97.8	978	1,467	93,700	79.2	80.9	90	49.13 x 88 x 339	4,230
LNL-D14-A110	110	1,100	1,650	107.9	1,079	1,618.5	109,300	92.4	94.1	110	49.13 x 88 x 392	4,910

LARKIN INC.

ALTUS SERIES - LNX - AIR COOLED CONDENSERS

830 RPM, 1.0 HP MOTORS 208-230/3

10 FPI



SINGLE ROW

Order Number	THR (MBH) 1°F TD * R22			THR (MBH) 1°F TD * R404A			CFM	FLA	MCA	MOPD	H x W x L (in)	Ship
	1°F	10°F	15°F	1°F	10°F	15°F						Weight (lbs)
LNX-S01-A006	6.4	64	96	6.2	62	93	7,600	4.8	15	15	49.13 x 45.43 x 73	330
LNX-S01-A008	7.5	75	112.5	7.4	74	111	7,300	4.8	15	15	49.13 x 45.43 x 73	360
LNX-S02-A010	9.8	98	147	9.6	96	144	15,900	9.6	15	20	49.13 x 45.43 x 127	580
LNX-S02-A013	13.1	131	196.5	12.8	128	192	15,200	9.6	15	20	49.13 x 45.43 x 127	630
LNX-S02-A015	15.1	151	226.5	14.8	148	222	14,700	9.6	15	20	49.13 x 45.43 x 127	680
LNX-S03-A020	19.7	197	295.5	19.3	193	289.5	22,900	14.4	20	25	49.13 x 45.43 x 180	930
LNX-S03-A023	22.7	227	340.5	22.3	223	334.5	22,000	14.4	20	25	49.13 x 45.43 x 180	1,000
LNX-S04-A026	26.3	263	394.5	25.7	257	385.5	29,800	19.2	20.4	30	49.13 x 45.43 x 233	1,210
LNX-S04-A030	30.3	303	454.5	29.7	297	445.5	28,400	19.2	20.4	30	49.13 x 45.43 x 233	1,310
LNX-S05-A033	32.8	328	492	32.1	321	481.5	37,300	24	25.2	35	49.13 x 45.43 x 233	1,510
LNX-S05-A038	37.8	378	567	27.1	271	556.5	35,500	24	25.2	35	49.13 x 45.43 x 233	1,640
LNX-S07-A052	52	520	780	51	510	765	49,700	33.6	34.8	45	49.13 x 45.43 x 233	2,240
LNX-S06-A045	45.4	454	684	44.5	445	667.5	42,600	28.8	30	40	49.13 x 45.43 x 233	1,950

DOUBLE ROW

Order Number	THR (MBH) 1°F TD * R22			THR (MBH) 1°F TD * R404A			CFM	FLA	MCA	MOPD	H x W x L (in)	Ship
	1°F	10°F	15°F	1°F	10°F	15°F						Weight (lbs)
LNX-D04-A020	19.6	196	294	19.2	192	288	31,700	19.2	20.4	30	49.13 x 88 x 127	1,240
LNX-D04-A026	26.2	262	393	25.7	257	385.5	30,500	19.2	20.4	30	49.13 x 88 x 127	1,340
LNX-D04-A030	30.3	303	454.5	29.7	297	445.5	29,300	19.2	20.4	30	49.13 x 88 x 127	1,440
LNX-D06-A039	39.4	394	591	38.6	386	579	45,700	28.8	30	40	49.13 x 88 x 180	1,990
LNX-D06-A045	45.4	454	681	44.5	445	667.5	44,000	28.8	30	40	49.13 x 88 x 180	2,140
LNX-D08-A052	52.5	525	787.5	51.4	514	771	59,700	38.4	39.6	50	49.13 x 88 x 233	2,630
LNX-D08-A061	60.6	606	909	59.3	593	889.5	56,800	38.4	39.6	50	49.13 x 88 x 233	2,830
LNX-D10-A066	65.6	656	984	64.3	643	964.5	74,600	48	49.2	60	49.13 x 88 x 286	3,290
LNX-D10-A076	75.7	757	1,135.5	74.2	742	1,113	71,000	48	49.2	60	49.13 x 88 x 286	3,540
LNX-D12-A091	90.8	908	1,362	89	890	1,335	85,200	57.6	58.8	70	49.13 x 88 x 339	4,230
LNX-D14-A104	104.1	1,041	1,561.5	102	1,020	1,530	99,400	67.2	68.4	80	49.13 x 88 x 392	4,910

ALTUS SERIES - LNQ - AIR COOLED CONDENSERS

540 RPM, 0.5 HP MOTORS 208-230/3

10 FPI



SINGLE ROW

THR (MBH) 1°F TD * R22 THR (MBH) 1°F TD * R404A

Order Number	1°F	10°F	15°F	1°F	10°F	15°F	CFM	FLA	MCA	MOPD	H x W x L (in)	Ship Weight (lbs)
LNQ-S01-A005	5.2	52	78	5.1	51	76.5	5,400	3.5	15	15	49.13 x 45.43 x 73	330
LNQ-S01-A006	6.1	61	91.5	5.9	59	88.5	5,200	3.5	15	15	49.13 x 45.43 x 73	360
LNQ-S02-A008	8	80	120	7.8	78	117	11,200	7	15	15	49.13 x 45.43 x 127	580
LNQ-S02-A010	10.3	103	154.5	10.1	101	151.5	10,800	7	15	15	49.13 x 45.43 x 127	630
LNQ-S02-A011	11.5	115	172.5	11.2	112	168	10,400	7	15	20	49.13 x 45.43 x 127	680
LNQ-S03-A016	15.6	156	234	15.2	152	228	16,100	10.5	15	20	49.13 x 45.43 x 180	930
LNQ-S03-A017	17.2	172	258	16.9	169	253.5	15,600	10.5	15	20	49.13 x 45.43 x 180	1,000
LNQ-S04-A021	20.7	207	310.5	20.3	203	304.5	21,500	14	15	20	49.13 x 45.43 x 233	1,210
LNQ-S04-A023	22.9	229	343.5	22.4	224	336	20,800	14	15	20	49.13 x 45.43 x 233	1,310
LNQ-S05-A026	25.9	259	388.5	25.4	254	381	26,900	17.5	20	25	49.13 x 45.43 x 286	1,510
LNQ-S05-A029	28.6	286	429	28.1	281	421.5	26,000	17.5	20	25	49.13 x 45.43 x 286	1,640
LNQ-S06-A034	34.4	344	516	33.7	337	505.5	31,200	21	21.9	30	49.13 x 45.43 x 339	1,950
LNQ-S07-A042	41.6	416	624	40.7	407	610.5	36,400	24.5	25.4	35	49.13 x 45.43 x 392	2,240

DOUBLE ROW

THR (MBH) 1°F TD * R22 THR (MBH) 1°F TD * R404A

Order Number	1°F	10°F	15°F	1°F	10°F	15°F	CFM	FLA	MCA	MOPD	H x W x L (in)	Ship Weight (lbs)
LNQ-D04-A016	16	160	240	15.6	156	234	22,300	14	15	20	49.13 x 88 x 127	1,240
LNQ-D04-A021	20.7	207	310.5	20.3	203	304.5	21,500	14	15	20	49.13 x 88 x 127	1,340
LNQ-D04-A023	22.9	229	343.5	22.4	224	336	20,800	14	15	20	49.13 x 88 x 127	1,440
LNQ-D06-A031	31	310	465	30.4	304	456	32,300	21	21.9	30	49.13 x 88 x 180	1,990
LNQ-D06-A034	34.4	344	516	33.7	337	505.5	31,200	21	21.9	30	49.13 x 88 x 180	2,140
LNQ-D08-A041	41.4	414	621	40.6	406	609	43,000	28	28.9	35	49.13 x 88 x 233	2,630
LNQ-D08-A046	45.8	458	687	44.9	449	673.5	41,600	28	28.9	35	49.13 x 88 x 233	2,830
LNQ-D10-A052	51.8	518	777	50.7	507	760.5	53,700	35	35.9	45	49.13 x 88 x 286	3,290
LNQ-D10-A057	57.3	573	859.5	56.1	561	841.5	52,100	35	35.9	45	49.13 x 88 x 286	3,540
LNQ-D12-A069	68.7	687	1,030.5	67.3	673	1,009.5	62,500	42	42.9	50	49.13 x 88 x 339	4,230
LNQ-D14-A083	83.1	831	1,246.5	81.5	815	1,222.5	72,900	49	49.9	50	49.13 x 88 x 392	4,910

LARKIN INC.

SOLUS SERIES - LNE - AIR COOLED CONDENSERS

EC MOTORS 208-230/3

10 FPI

SINGLE ROW

The Solus Series by Larkin offers the optimum solution for sound and energy performance. The Solus Series utilizes EC motor technology that provides unmatched sound and energy performance and is the perfect solution for applications where low noise levels and significant energy savings are essential for success.



Order Number	THR (MBH) 1°F TD * R22			THR (MBH) 1°F TD * R404A			CFM	FLA	MCA	MOPD	H x W x L (in)
	1°F	10°F	15°F	1°F	10°F	15°F					
LNE-S01-A008	7.7	77	115.5	7.6	76	114	11,000	7	15	25	49.13 x 45.43 x 73
LNE-S01-A009	9.3	93	139.5	9.1	91	136.5	10,500	7	15	25	49.13 x 45.43 x 73
LNE-S01-A011	11.3	112	169.5	11.1	111	166.5	23,400	14	20	35	49.13 x 45.43 x 127
LNE-S02-A015	15.4	154	231	15.1	151	226.5	22,000	14	20	35	49.13 x 45.43 x 127
LNE-S02-A018	18.1	181	271.5	17.8	178	267	20,900	14	20	35	49.13 x 45.43 x 127
LNE-S03-A023	23.1	231	346.5	22.7	227	340.5	33,100	21	22.8	340	49.13 x 45.43 x 180
LNE-S03-A027	27.2	272	408	26.7	267	400	31,400	21	22.8	40	49.13 x 45.43 x 180
LNE-S04-A031	30.8	308	462	30.2	302	453	42,600	28	29.8	45	49.13 x 45.43 x 233
LNE-S04-A036	36.3	363	544.5	35.5	355	532.5	40,000	28	29.8	45	49.13 x 45.43 x 233
LNE-S05-A039	39.3	393	589.5	38.5	385	577.5	43,200	35	36.8	50	49.13 x 45.43 x 286
LNE-S05-A047	46.6	466	699	45.7	457	685.5	50,000	35	36.8	50	49.13 x 45.43 x 286
LNE-S06-A056	56	560	840	54.8	548	822	60,000	42	43.8	60	49.13 x 45.43 x 339
LNE-S07-A065	64.6	646	969	63.3	633	949.5	70,000	49	50.8	70	49.13 x 45.43 x 392

DOUBLE ROW

Order Number	THR (MBH) 1°F TD * R22			THR (MBH) 1°F TD * R404A			CFM	FLA	MCA	MOPD	H x W x L (in)
	1°F	10°F	15°F	1°F	10°F	15°F					
LNE-D04-A023	22.7	227	340.5	22.2	222	333	46,700	28	29.8	45	49.13 x 88 x 127
LNE-D04-A031	30.8	308	462	30.2	302	453	44,100	28	29.8	45	49.13 x 88 x 127
LNE-D04-A036	36.3	363	544.5	35.5	355	532.5	41,800	28	29.8	45	49.13 x 88 x 127
LNE-D06-A046	46.2	462	693	45.3	453	678.5	66,100	42	43.8	60	49.13 x 88 x 180
LNE-D06-A054	54.4	544	816	53.3	533	799.5	62,700	42	43.8	60	49.13 x 88 x 180
LNE-D08-A062	61.7	617	925.5	60.5	605	907.5	85,100	56	57.8	70	49.13 x 88 x 180
LNE-D08-A073	72.5	725	1087.5	71.1	711	1,066.5	80,000	56	57.8	70	49.13 x 88 x 180
LNE-D10-A079	78.6	786	1178	77	770	1155	106,400	70	71.8	90	49.13 x 88 x 286
LNE-D10-A093	93.3	933	1,399.5	91.4	914	1371	100,000	70	71.8	90	49.13 x 88 x 286
LNE-D12-A112	111.9	1,119	1,678.5	109.7	1097	1,645.5	120,100	84	85.8	100	49.13 x 88 x 339
LNE-D14-A129	129.2	1,292	1,938	126.7	1267	1,900.5	140,100	98	99.8	110	49.13 x 88 x 392

COLDSTREAM REFRIGERATION COMPONENTS



Order Number	Description
200-3411	Evaporator coil, with cap tube and accumulator
355-171	Accumulator
355-475	Condenser, RSCP48
355-643	Evaporator coil, no cap tube or accumulator, fin size 18 x 8 x 4
355-644	Evaporator coil, no cap tube or accumulator, fin size 14 x 5 x 4
355-645	Evaporator coil, no cap tube or accumulator, fin size 14 x 8 x 3
355-648	Evaporator coil, no cap tube or accumulator, fin size 14 x 4 x 4
366-281	Accumulator, RSCP24

GASKETS

Order Number	Description	Gasket Style
200-629	Gasket, 22 x 61 1/4	Arrow head
200-1414	Gasket, 22 x 61 1/4	Flange
200-1445	Gasket, WIDF/WIDC standard door	Flange
200-1446	Gasket, 22 x 29	Arrow head
200-1447	Gasket, 21 x 61 1/4	Arrow head
200-1448	Gasket, 21 x 35 1/2	Arrow head
200-1449	Gasket, 35 1/2 x 79 3/4	Arrow head
200-1451	Gasket, WIDF/WIDC pallet door	Flange
200-1453	Gasket, 31 1/2 x 79 3/4	Arrow head
200-1987	Gasket, 22 x 65 3/8	Arrow head
200-1988	Gasket, 22 x 31 1/8	Arrow head
355-442	Wiper gasket, pastry case, 25 13/16	-
355-596	Wiper gasket, walk-in box, per foot	-
363-625	Gasket, 23 3/16 x 62 13/16	Anthony

ELECTRICAL

Order Number	Description
355-336	Switch with red indicator light, walk-in
355-486	Limit stat, 37T32
355-490	Fan motor, 115V, 1,550 rpm
355-492	Fan motor, 230V, 1,550 rpm
356-427	Temperature control
359-323	Blower motor assembly

COLDPACKS

Order Number	Description
200-1773	Coldpack (plastic base) current 3 door cooler
200-2279	Coldpack, RSCP30 (s/n 93E)
200-2438	Coldpack (plastic base) current 1 door cooler, air-cooled
200-2479	Coldpack (plastic base) current 2 door cooler
200-2501	Coldpack (metal base), 1 door cooler
200-2502	Coldpack (metal base), 2 door cooler
200-3005	Coldpack (metal base), 3 door cooler

HARDWARE

Order Number	Description
200-1728	Spring and cable, 2 door slider
200-1905	Fascia RSCP24RSL
200-1909	Fascia RSCP48RL
200-2034	Spring cover kit
200-3462	Louvre c/w thermometer
200-3464	Louvre c/w thermometer
355-053	Dome plug, 1/2" white (older models)
355-092	Handle, chrome
355-213	Thermometer
355-623	Glide shoe, pastry case
355-891	Large padlock block (for McLock)
356-078	Shelf
356-079	Shelf
356-103	Shelf clips
356-410	Shelf, 2 and 3 door reach-ins

Order Number	Description
357-777	Extruded track
359-519P	Hinge assembly (old style), solid door
359-763	Floor screen, 3' x 12' length, white
361-675	Shelf, 1 door reach-ins
363-375	Hinge spring only (black) for 359-519P
363-871	Anthony roller
363-881	Anthony closer tube/spring
365-131	Hinge
365-132	Hinge
365-379	Curtain
366-697	Shelf clips, 4 required per shelf

KASON HINGES

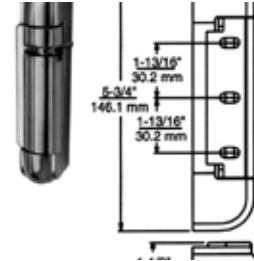
217 ADJUSTABLE HINGE

Order Number	Hinge Offset	Finish
217-78	7/8 (22.2 mm)	Chrome
217-118	1 1/8 (28.6 mm)	Chrome
217-138	1 3/8 (34.9 mm)	Chrome



218 ADJUSTABLE SPRING HINGE

Order Number	Hinge Offset	Finish
218-78	7/8 (22.2 mm)	Chrome
218-118	1 1/8 (28.6 mm)	Chrome
218-138	1 3/8 (34.9 mm)	Chrome
218-206	Spring Cartridge for #218	Chrome



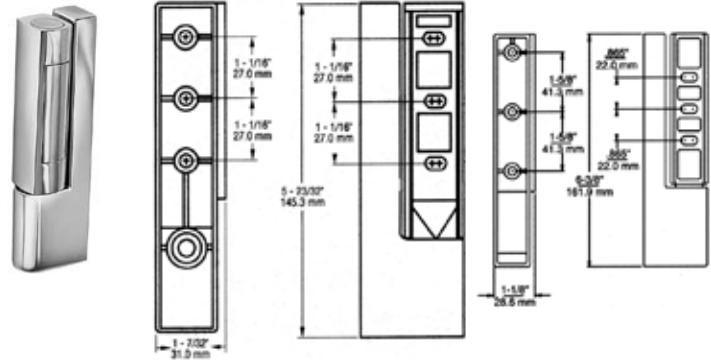
220 ADJUSTABLE SPRING HINGE

Order Number	Hinge Offset	Finish
220-118	1 1/8 (28.6 mm)	Chrome
220-138	1 3/8 (34.9 mm)	Chrome



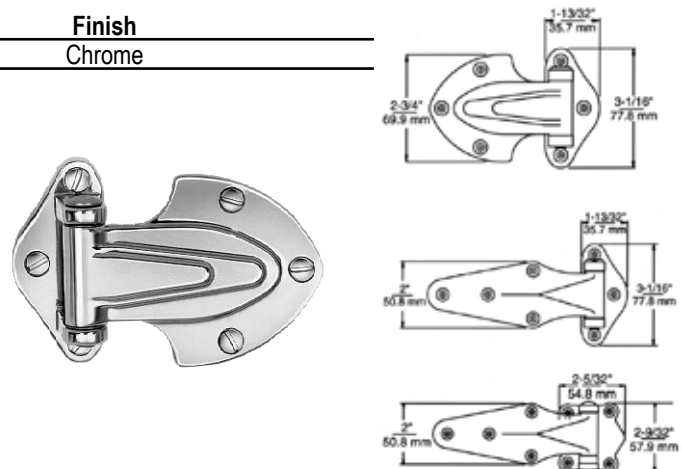
KASON CAM-RISE SELF CLOSING HINGES

Order Number	Offset	Finish
1247	1 1/4 - 1 5/8	Chrome
1247	1 3/4 - 2 3/8	Chrome



139 NARROW FLANGE HINGE

Order Number	Offset	Finish
139	Flush	Chrome



KASON SURFACE MOUNT HINGES

1070 NARROW FLANGE HINGE

Order Number	Offset	Finish
1-1070-000004	Flush	Chrome
1-1070-000032	7/8	Chrome
1-1070-000040	1 1/8	Chrome

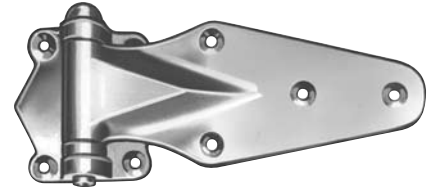


1070A NYLON BEARING HINGE

Order Number	Offset	Finish
1-1070-A00016	7/8	Chrome
1-1070-A00024	1 1/8	Chrome

1071 LARGE NARROW FLANGE HINGE

Order Number	Offset	Finish
1-1071-000032	7/8	Chrome
1-1071-000040	1 1/8	Chrome



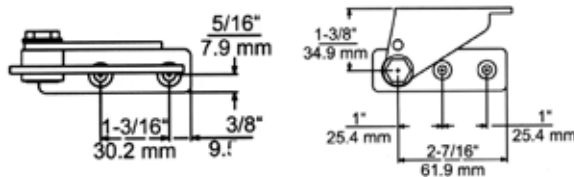
1071A LARGE NYLON BEARING HINGE

Order Number	Offset	Finish
1071-A00036	7/8	Chrome
1071-A00044	1 1/8	Chrome

KASON PIVOT HINGES

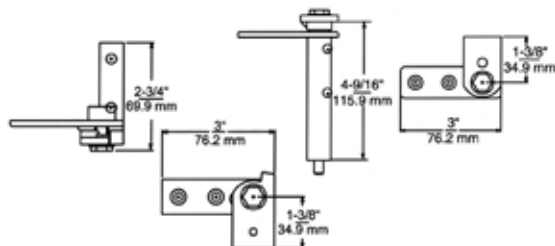
PIVOT HINGE

Order Number	Description	Finish
1-512-000004	Mounts upper left or lower right	Chrome
1-1513-000004	Mounts upper right or lower left	Chrome



BOTTOM HINGE

Order Number	Description	Finish
1521L	Left hand hinge 1 3/8 (39.9 mm)	Chrome
1521R	Right hand hinge 1 3/8 (39.9 mm)	Chrome

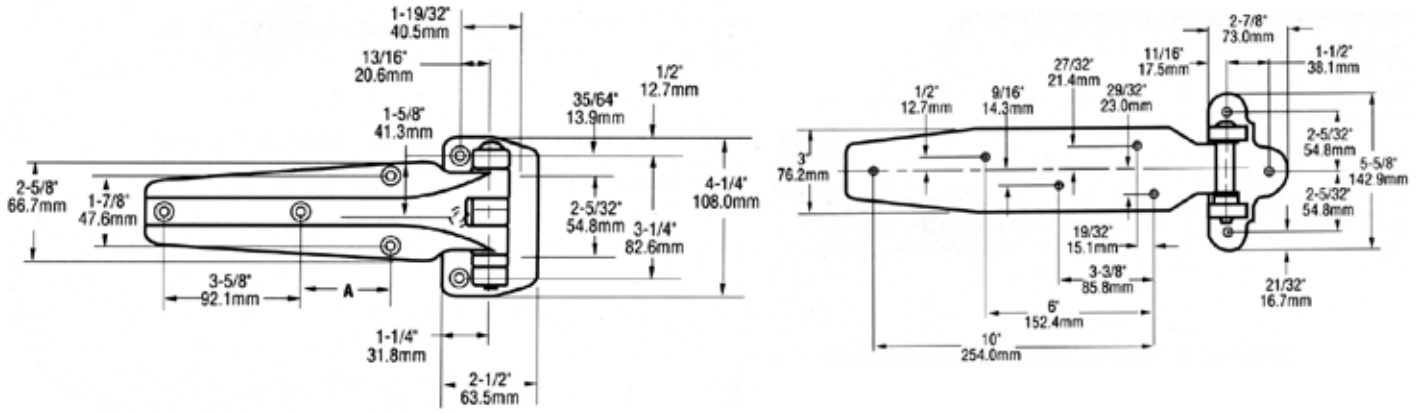


TOP HINGE

Order Number	Description	Finish
1522L	Left hand hinge 1 3/8 (39.9 mm)	Chrome
1522R	Right hand hinge 1 3/8 (39.9 mm)	Chrome

KASON HINGES

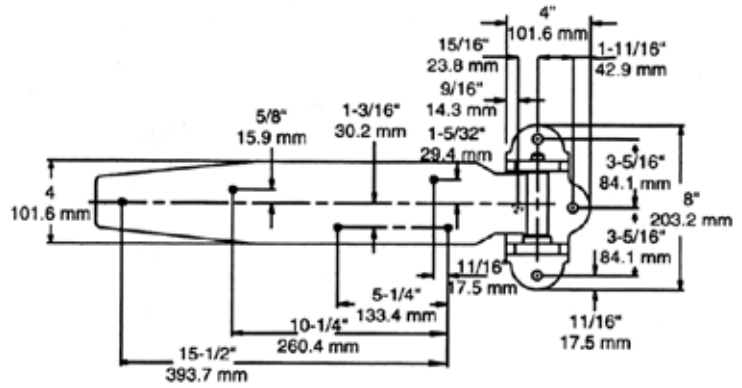
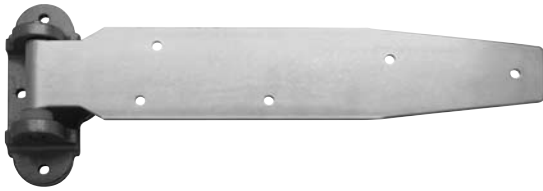
KASON HINGES



Order Number	Description	Finish
1-1074-000008	Hinge flush (0.0 mm)	Kasonized
1-1074-000020	Hinge 1 1/8 (28.6 mm)	Kasonized
1-1241-000004	Hinge flush (0.0 mm)	Chrome

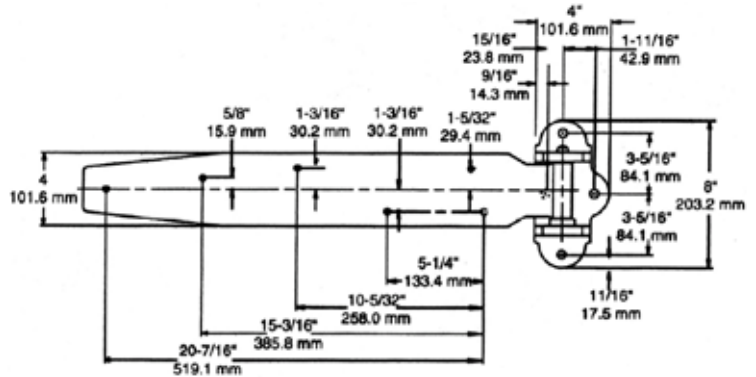
KASON HEAVY DUTY HINGES

Order Number	Description	Finish
1075000004	Hinge flush (0.0 mm)	Kasonized
1075000016	Hinge 1 1/8 (28.6 mm)	Kasonized
1075000020	Hinge 1 1/4 (31.8 mm)	Kasonized
1075000024	Hinge 1 3/8 (34.9 mm)	Kasonized

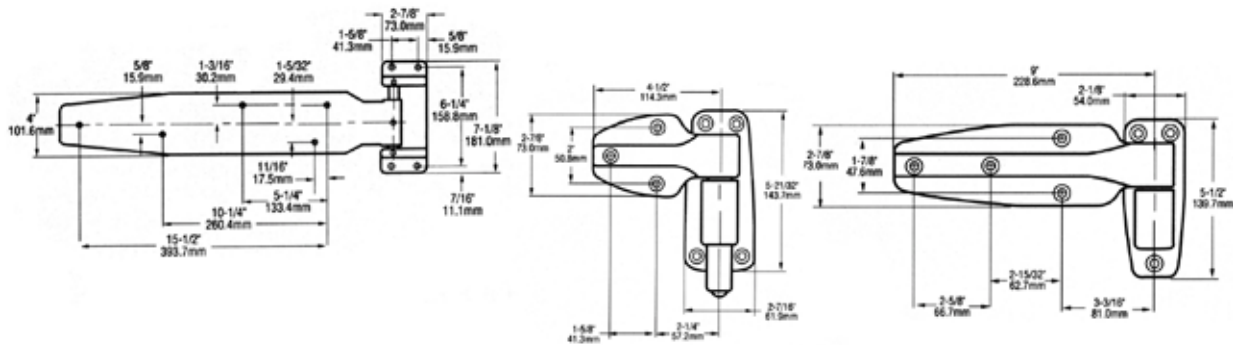


KASON EXTRA HEAVY DUTY HINGES

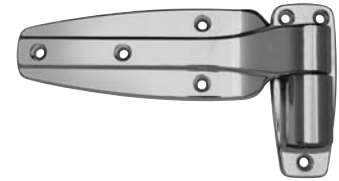
Order Number	Description	Finish
1076000016	Hinge 1 1/8 (28.6 mm)	Kasonized
1076000020	Hinge 1 1/4 (31.8 mm)	Kasonized
1076000024	Hinge 1 3/8 (34.9 mm)	Kasonized



KASON REVERSIBLE CAM-RISE HINGES



Order Number	Description	Finish
1-1245-000028	Hinge flush	Polished chrome
1-1245-000040	Hinge 1 1/8 offset	Polished chrome
1-1245-000048	Hinge 1 3/8 offset	Polished chrome
1-1245-000068	Hinge 1 1/2 offset	Polished chrome
1-1249-000004	Hinge flush	Polished chrome
1-1277-L00008	Hinge 1 1/8 offset	Kasonized
1-1277-L00010	Hinge 1 1/4 offset	Kasonized
1-1277-L00012	Hinge 1 3/8 offset	Kasonized



KASON LATCHES

930 SERIES SURFACE MOUNT LATCHES

Trigger-action latch with 6 different patented strikes for use with right or left-hand doors; drilled and countersunk for No. 8 screws.

Material: high pressure die-cast

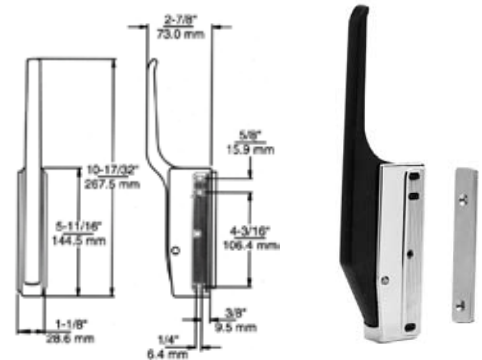
Finish: highly polished chrome plated

Order Number	Description
930C	Latch with adjustable micrometer strike for precise adjustments from 3/4 - 1/4



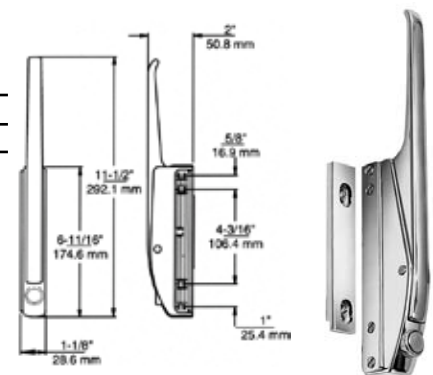
170 SERIES MAGNETIC LATCHES

Order Number	Handle	Finish	Magnet
0170B00034	Offset, die-cast	Polished chrome	Ceramic



171 SERIES MAGNETIC LATCHES

Order Number	Handle	Finish	Lock	Magnet
171000004	Straight, die-cast	Polished chrome	Standard	Standard
0171C00004	Straight, die-cast	Polished chrome	Cylinder	Standard

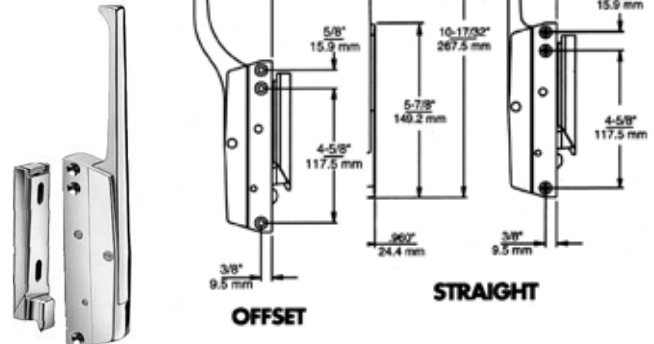


KASON LATCHES

KASON MAGNETIC MECHANICAL LATCHES

172 SERIES EDGEMOUNT LATCHES

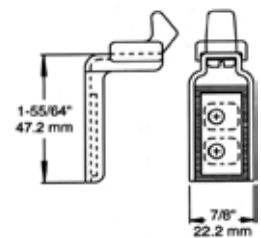
Order Number	Description	Finish
172	Non-cylinder locking latch straight handle	Chrome
0172B00006	Non-cylinder locking latch offset handle	Chrome
172BC	Cylinder locking latch offset handle	Chrome
172C	Cylinder locking latch straight handle	Chrome



KASON MECHANICAL LATCHES

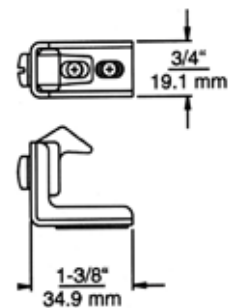
173 LATCH

Order Number	Description	Finish
1-0173-000004	Non-cylinder locking latch straight handle	Chrome
1-0173-B00004	Non-cylinder locking latch offset handle	Chrome
1-0173-BC0004	Cylinder locking latch offset handle	Chrome
1-0173-C00004	Cylinder locking latch straight handle	Chrome



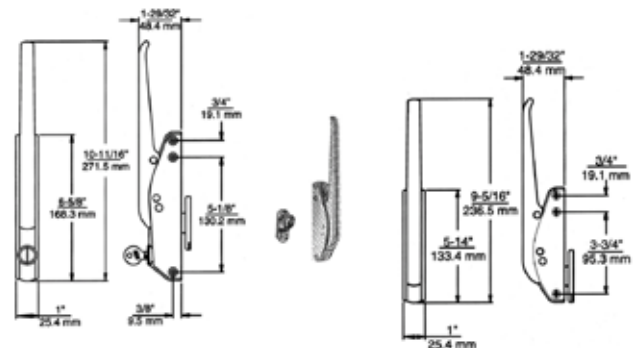
174 LATCH

Order Number	Description	Finish
174000004	Non-cylinder locking latch straight handle	Chrome
1-0174-B00004	Non-cylinder locking latch offset handle	Chrome
0174BC0004	Cylinder locking latch offset handle	Chrome
1-0174-C00004	Cylinder locking latch straight handle	Chrome



EDGEMOUNT MECHANICAL LATCHES

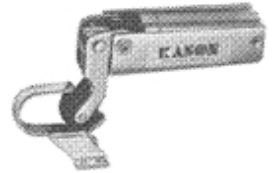
Order Number	Description
1-0531-000004	Available with straight or offset handles, powerful action provides positive air-tight closure; a finger-touch is all that's needed to release the catch, can be used for right or left-hand doors
1-0531-C00004	Cylinder locking, straight handle, can be used for right or left-hand doors
1-0533-D00004	Powerful, smooth acting latch with padlock provision and patented MICROturn two-way adjustable strike
1-0538-C00004	Latch furnished with cylinder lock, 1 high pressure die-cast zinc construction, highly polished chrome plated finish



KASON LATCHES, LIGHT FIXTURES AND VENTILATOR PORTS

1000 SERIES DOOR CLOSERS

Order Number	Type	Description
1091	Spring activated	Steel construction and polystyrene cover with Kasonized finish, offsets: flush, 1 1/8 stock drilled for No. 10 screws, hook drilled for No. 12 screws
1092	Hydraulic	Steel construction with Kasonized or chrome plate finish, offsets: flush, 1 1/8 drilled for No. 10 screws
1097	High tension	Malleable iron construction with steel rod and tube, Kasonized or highly polished chrome plate finish, guide is drilled for 1/4 screws, door closer is drilled for 3/8 screws



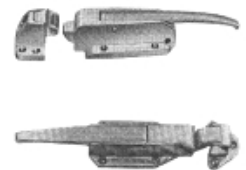
INTERMEDIATE & HEAVY DUTY LATCHES

Order Number	Type	Description
K52	Smaller bolt-action latch with padlock provision	Cast iron body and strike-housing, malleable iron handle, Kasonized finish, offsets: adjustable 1/8 to 1 3/8, body drilled and countersunk for 1/4 screws



K56, K58 LATCHES & STRIKES

Order Number	Item	Description	Finish
1-0056-L06021	Padlocking body	Light spring	Brushed chrome
1-0056-005002	Strike	-1/8" to 1/4"	Polished chrome
1-0056-005003	Strike	3/4" to 1 1/2"	Polished chrome
1-0056-006002	Strike	-1/8" to 1/4"	Brushed chrome
1-0056-006003	Strike	3/4" to 1 1/2"	Brushed chrome
1-0056-006005	Strike	1 3/4" to 2 1/2"	Brushed chrome
1-0058-L06021	Body	Light spring	Brushed chrome
1-0058-006001	Strike	-1/8" to 1/4"	Brushed chrome
1-0058-006002	Strike	3/4" to 1 1/2"	Brushed chrome



INSIDE RELEASE HANDLES

Order Number	Construction	Use with Latches
481A	Steel rod & flange, Safety-glow™ plastic knob, Kasonized finish, drilled for No. 10 screws	56, 5656
481B	Steel rod & flange, Safety-glow™ plastic knob, Kasonized finish, drilled for No. 10 screws	45, 4545, 50, 5050, 52, 53
481C	Steel rod & flange, Safety-glow™ plastic knob, Kasonized finish, drilled for No. 10 screws	58, 59



1800 SERIES VAPOR PROOF LIGHTING FIXTURES

Order Number	Description
1802CS-269	Cast aluminum junction box and housing with two drilled tabs for surface mounting, based tapped on four sides and top to accept standard 1/2 conduit, accept up to 100W bulb
1800-850-278	Glass globe for 1802 fixture
1802-851-37	Chrome plated steel wire guard for 1802 fixture
1801-850-118	Laxen globe for 1803 fixture



1830 SERIES HEATED VENTILATOR PORTS

Two-way air flow compensates for air expansion and contraction. All metal parts aluminum; internal sleeve self-extinguishing Lexon; natural aluminum finish.

Order Number	Description
1830 KASON	Heated vent, 5 3/32 diameter, requires 115 volts, drilled for No. 8 screws



DOOR GASKET

GASKETS

INNER SEAL GASKETS

Order Number	Cushion Dia.	Flange Width (in)	Overall Width (in)
81-NX302-100	5/16	1/2	13/16
81-NX352-100	3/8	1/2	7/8
81-NX402-100	7/16	1/2	1 5/16
284-9/16X1-1/16	9/16	1/2	1 1/16
81-NX502-100	1/2	1/2	1
81-NX504-100	1/2	3/4	1 1/4



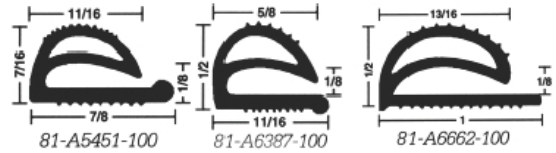
FOAM EDGE GASKETS

Order Number	Cushion Dia.	Flange Width (in)	Overall Width (in)
81-3703-100	3/8	3/8	-
81-7507-100	3/4	3/4	-



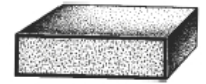
CURVALL COMPRESSION GASKETS

Order Number	Description
81-A5451-100	Extruded vinyl 7/16" cushion height
81-A6387-100	Extruded vinyl 1/2" cushion height
81-A6662-100	Extruded vinyl 1/2" cushion height



RECTANGULAR EXTRUDED CLOSED CELL SEALING STRIPS

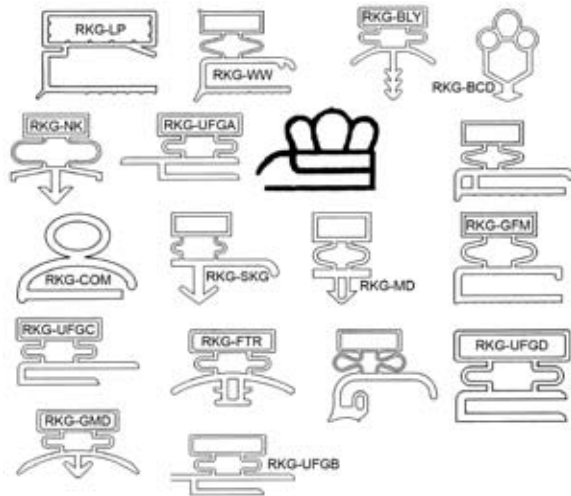
Order Number	Thickness (in)	Width (in)
81-1210-25	1/2	1
81-1220-25	1/2	2



SURE SEAL

CUSTOM MOULDED GASKETS

Order Number	Description
RKG-LP	Grey 3/4" magnet
RKG-NK	Black 3/8" magnet
RKG-UFGC	Grey 3/4" magnet
RKG-COM	5/8 Grey no magnet
RKG-WW	White 3/8" magnet
RKG-BLY	White 1/2" magnet
RKG-UFGB	Grey 3/4" magnet
RKG-BCD	Black no magnet
RKG-BCF	Flange Style, black for 1/2" offset
RKG-GMD	Grey 3/4" magnet
RKG-SKG	Grey 3/8" magnet
RKG-MD	Black 3/8" magnet
RKG-GFM	Grey 1/2" magnet
RKG-FTR	Grey 3/4" magnet
RKG-WN	White 3/8" magnet
RKG-UFGD	Grey 3/4" magnet
RKG-UFGA	Grey 3/4" magnet



COOPER REMOTE VAPOR TENSION THERMOMETERS

USED IN ALL TYPES OF CABINETS, CHAMBERS, REFRIGERATORS AND DISHWASHERS

For temperature readout where sensor and indicator must be separated from one another; all models are recalibrateable; have colour-zoned dual scale dials; tin plated bulbs and capillaries. Capillary length: 48" except where noted. Recalibrateable, dual scale dial; polycarbonate lens/bezel.

FRONT FLANGE

Order Number	Dial Size (in)	Mounting	Range (°F)
6142-06	2	Front flange, back connect/flush mount	40 - 240°F
6142-13	2	Front flange, back connect/flush mount	-40 - 120°F
6142-20	2	Front flange, back connect/flush mount	-40 - 60°F
6142-58	2	Front flange, back connect/flush mount	-40 - 60°F



BACK FLANGE

Order Number	Dial Size	Mounting	Range (°F)
6812-01	2	Back flange, back connect/surface mount	-40 - 60°F
6812-02	2	Back flange, back connect/surface mount	-40 - 120°F
6812-01-3	2	Back flange, back connect/surface mount	-40 - 60°F

COOPER ELECTRONIC PANEL MOUNT THERMOMETERS



DM120S

DM450

PM120

Order Number	Description	Power	Range (°F)
DM120S	Reverse flange surface mount remote sensor digital thermometer, case buffed stainless steel, 2" diameter stainless steel bezel and acrylic lens, with 0.5" LCD	1.5V battery #393 accessory	-40 - 120°F
DM450	Front flange surface mount remote sensor digital thermometer, case buffed stainless steel, 2" diameter stainless steel bezel and acrylic lens, with 0.5" LCD	1.5V battery #393 accessory	-40 - 450°F
PM120	Rectangular remote, 2.625 x 1.375 x 1" white polystyrene, 39" remote sensor length and 0.5" high LCD display, mounting flange #9302 is available	AA battery	-40 - 120°F

COOPER SOLAR PANEL THERMOMETER

Order Number	Description	Power	Range (°F)
SP160-0-8	Easy to read LCD display, 1.4" x 0.5"	Solar / one 1.5V 'AAA' battery	-58 - 158°F
SP120-0-8	Easy to read LCD display, 1.825" x 0.625"	Solar / one 1.5V 'AAA' battery	-58 - 158°F



COOPER BIMETAL STEM THERMOMETERS

STAINLESS STEEL STEM

Order Number	Dial Size (in)	Stem Length (in)	Range (°F)	Scale	Note
2225-03	2	4	-40 - 160	F	Reversible flange
2236-06	2	5	0 - 220	Dual F/C	-
2245-03	2	6	-40 - 160	F	Reversible flange
2255-03	2	9	-40 - 160	F	Reversible flange



COOPER THERMOMETERS

FOR MANY GENERAL PURPOSE, FOOD SERVICE AND HVAC APPLICATIONS

REFRIGERATOR / FREEZER

Order Number	Type	Description	Scale Range
335-01-1	Refrigerator Freezer	Rectangular aluminum frame, completely enclosed and hangs, stands or can be mounted. 1 1/3 x 5, magnifying lens	-40°F to 80°F, 2 colour dial with 2° markings



THERMOMETERS

REMOTE READING DIAL THERMOMETERS

NSF Approved Remote Reading Dial Thermometers

The Weiss line of remote reading dial thermometers offers a wide variety of dial sizes and case configurations to match any installation. All items are furnished in attractive stainless steel cases and all models are NSF listed. Additional features include smart colour zoned dual scales and tin plated thermal systems.

FB SERIES - 2" DIAL SIZE

Front flange back connection

Order Number	Range (°F)	Capillary (in)
14-20FB-060	40 - 0 - 60 °F/°C	48
14-20FB-110	40 - 0 - 110 °F/°C	48
14-20FB-240	40 - 240 °F/°C	48
14-45BB-060	40 - 0 - 50 °F/°C	48



14-20FB-110



14-25FB-060

BB SERIES - 2" DIAL SIZE

Back flange back connection

Order Number	Range (°F)	Capillary (in)
14-20BB-110	40 - 0 - 110 °F/°C	48
14-20BB-240	40 - 240 °F/°C	48

HL SERIES - 2" DIAL SIZE

Hanging bracket lower connection

Order Number	Range (°F)	Capillary (in)
14-20HLO60	40 - 0 - 60 °F/°C	48



14-45RB-060

FB SERIES - 2 1/2" DIAL SIZE

Front flange back connection

Order Number	Range (°F)	Capillary (in)
14-25FB-060	40 - 0 - 60 °F/°C	48
14-25FB-110	40 - 0 - 110 °F/°C	48
14-25FB-240	40 - 240 °F/°C	48



14-20BB-060

HL SERIES - 2 1/2" DIAL SIZE

Hanging bracket lower connection

Order Number	Range (°F)	Capillary (in)
14-25HLO60	40 - 0 - 60 °F/°C	48

PB SERIES - 2 1/2" DIAL SIZE

Plain w/lock nut back connection

Order Number	Range (°F)	Capillary (in)
14-25HLO60	40 - 0 - 60 °F/°C	48



14-20-HL-060

RB SERIES - 4 1/2 DIAL SIZE

Front flange back connection

Order Number	Range (°F)	Capillary (in)
14-45RB060	40 - 0 - 60 °F/°C	48
14-45RB-110	40 - 0 - 110 °F/°C	48



14-25HL-060

BB SERIES - 4 1/2" DIAL SIZE

Back flange back connection

Order Number	Range (°F)	Capillary (in)
14-45BB-060	-40 / 0 / 60 °F/°C	48
14-45BB-110	-40 / 0 / 110 °F/°C	48
14-45BB-260	-40 - 60 °F/°C	48

DIGITAL REMOTE READING THERMOMETERS

Weiss Instruments is the leader in Solar Powered technology as we now offer ten different versions of our Digital thermometers. Available in super low light versions. 56SD, 72SD and 25SD (8 Lux) and low light series 20SD (18 Lux). These “self powered” thermometers operate without any batteries and off an attractive and modern update to existing refrigeration equipment. Each thermometer has adjustable calibration, a 10 second update time and wide ambient temperature specifications for both indoor and outdoor installations. Where customers prefer LED, Weiss offers our 2” retrofit unit, the 14-20DT complete with a UL listed transformer and a 1/2” high intensity red read out. All digital thermometers are NSF listed.

LCD - SD SERIES

Solar Powered

5' Standard Sensor Length (longer lengths available)

Equivalent °C models available, consult factory

Order Number	Case	Range (°F)
14-20SD-BS	Back flange	-40 / 0 / 160°F
14-20SD-HL	Hanging	-40 / 0 / 160°F
14-20SD-FS	Front flange	-40 / 0 / 160°F
14-20SD-FSC	Front flange	-5 / 0 / 70°C
14-25SD-70C	Horizontal Wall Mount	-5 / 0 / 70°C
14-56SD-230	Front flange	-50 / 0 / 230°F
14-72SD-F-160	Front flange	-5 / 0 / 70°F

LED - DT SERIES

Order Number	Case	Range (°F)
14-20DTF	Front flange	-40/0/230°F



14-20SD-HL



14-20SD-FS



14-56SD-230



14-72SD-F



14-20DT-F



14-25SD-160

EMERGENCY SERVICE CONTACT INFORMATION

ISC Partner	Email	ISC Partner	Email
-------------	-------	-------------	-------

Calgary: 403.214.2134

Dene Flahr	dflahr@isc.tv	Vince Larsen	vlarsen@isc.tv
Anthony Cegielnik	acegielnik@isc.tv	Joe McIntyre	jmcintyre@isc.tv
Robert Grieve	rgrieve@isc.tv	Jeff Weber	jweber@isc.tv
Kent Iwaskiw	kiwaskiw@isc.tv		

Edmonton: 780.451.4744

Brian Pampu	bpampu@isc.tv	Miles Nelson	mnelson@isc.tv
Doug Ade	dade@isc.tv	Cliff Osadchuk	cosadchuk@isc.tv
Jordan Arts	jarts@isc.tv	Dale Werner	dwerner@isc.tv
Joline Kuhn	jkuhn@isc.tv	Mike Wieschorster	mwieschorster@isc.tv

Burnaby: 604.298.4472

Glenn McCullough	gmccullough@isc.tv	Tom Newmark	tnewmark@isc.tv
Ademar Andres	aandres@isc.tv	Jerry Schaab	jschaab@isc.tv
Rabin Kishore	rkishore@isc.tv	Marcel Silberman	msilberman@isc.tv
Wayne McCollum	wmccollum@isc.tv	Brian Yi	byi@isc.tv
Gary Monts	gmonts@isc.tv		

Saskatchewan: 306.373.9227

Don Faris	dfaris@isc.tv		
-----------	---------------	--	--

Kitchener: 519.748.0961

Ken Desrosier	kdesrosier@isc.tv	Tom Grant	tgrant@isc.tv
Phil Antunes	pantunes@isc.tv	Terri-Lynn McNeil	tmcneil@isc.tv
Dave Cushing	dcushing@isc.tv	Sam Otaki	sotaki@isc.tv

St. Catharines: 905.988.1724

Dave Sevcik	dsevcik@isc.tv	Brandon Keel	bkeel@isc.tv
Jeff Dougall	jdougall@isc.tv	Jeff Zimmerman	jzimmerman@isc.tv
Aaron Garrett	agarrett@isc.tv		

Windsor: 519.251.9925

Tim Reid	treid@isc.tv	Bill Pratt	bpratt@isc.tv
Ray Copeman	rcopeman@isc.tv		

Ottawa: 613.742.0083

Alain Brunet	abrunet@isc.tv	Robert Lantaigne	rlantaigne@isc.tv
Louis Aivaliotis	laivaliotis@isc.tv	Jonathan Ritchot	jritchot@isc.tv

North Bay: 705.476.0800

Ray Spencer	rspencer@isc.tv	Mark Spencer	mspencer@isc.tv
Yves Audette	yaudette@isc.tv		

Headquarters: 604.298.4463

Keith Werner	kwerner@isc.tv	Johann Russell	jrussell@isc.tv
Mike Feedham	mfeedham@isc.tv	Rudy Wieschorster	rwieschorster@isc.tv
Ray Newstead	rnewstead@isc.tv		

BURNABY, BC

3030 Beta Avenue
Burnaby, BC V5G 4K4
24 HR Ph: (604) 298.4472
BC Toll Free: 1.877.778.1818
YVR Island Toll: 1.866.886.8858
Interior BC Toll: 1.866.950.4853
Fax: (604) 298.4288

CALGARY, AB

2280 Portland Street SE
Calgary, AB T2G 4M6
24 HR Ph: (403) 214.2134
Toll Free: 1.877.212.2822
Fax: (403) 214.2139

EDMONTON, AB

11418 - 120 Street
Edmonton, AB T5G 2Y2
24 HR Ph: (780) 451.4744
Toll Free: 1.877.969.9979
Fax: (780) 454.1072

SASKATCHEWAN

24 HR Ph: (306) 373.9227
Toll Free: 1.877.969.9979
Fax: (306) 374.7911

HEADQUARTERS

Ph: (604) 298.4463
Fax: (604) 205.7162

www.isc.tv

KITCHENER, ON

186 Shoemaker Street
Kitchener, ON N2E 3E1
24 HR Ph: (519) 748.0961
Toll Free: 1.866.300.4300
Fax: (519) 748.2068

ST. CATHARINES, ON

Units 4, 5 & 6, 27 Seapark Drive
St. Catharines, ON L2M 6S5
24 HR Ph: (905) 988.1724
Fax: (905) 988.5722

WINDSOR, ON

Unit 200, 3215 Jefferson Blvd
Windsor, ON N8T 2W7
24 HR Ph: (519) 251.9925
Toll Free: 1.866.282.4472
Fax: (519) 251.9930

OTTAWA, ON

Units 1-4, 1550 Liverpool Court
Ottawa, ON K1B 4L2
24 HR Ph: (613) 742.0083
Toll Free: 1.866.896.4439
Fax: (613) 742.0084

NORTH BAY, ON

Unit N, 600 Gormanville Road
North Bay, ON P1B 9S7
24 HR Ph: (705) 476.0800
Toll Free: 1.888.266.1955
Fax: (705) 476.2210