

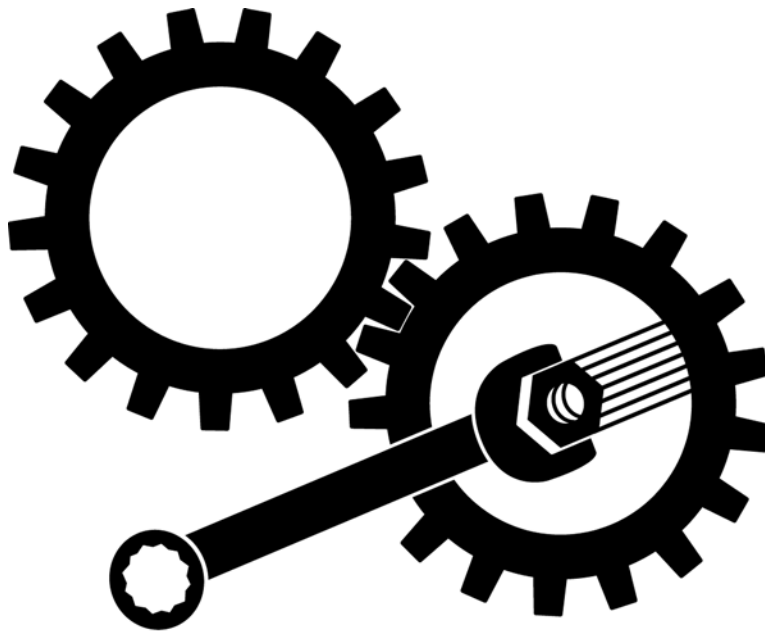


# 926 Sno-Thro.

## Service Manual

Models 926001, 002, 003, 004, 005, 006,  
007, 008, 009, 010, 011, 012, 101, 102,  
103, 300, 301, 302, 303, 304, 500, 501, 504

---



# TABLE OF CONTENTS

SAFETY . . . . .	5	STORAGE . . . . .	31
ASSEMBLY . . . . .	9	SERVICE PARTS . . . . .	31
CONTROLS AND FEATURES . . . . .	13	ACCESSORIES . . . . .	31
OPERATION . . . . .	14	TROUBLESHOOTING . . . . .	59
MAINTENANCE . . . . .	19	SPECIFICATIONS . . . . .	60
SERVICE AND ADJUSTMENTS . . . . .	23		

## INTRODUCTION

### THE MANUAL

It is the purpose of this manual to provide complete instructions for service, maintenance, disassembly, repair, and installation of the mechanical components for the 926 Sno-Thro.

Dealer trained service personnel should use this manual as a supplement to and reminder of the training sessions conducted by the company.

Read all information for servicing a part of system before repair work is started to avoid needless disassembly.

### Operation

Before operation of the unit, carefully and completely read manuals supplied with the unit. The contents will provide you with an understanding of safety instructions and controls during normal operation and maintenance.

### Safety Messages

For your safety and the safety of others always read, understand, and follow all DANGER, WARNING, and CAUTION messages found in manuals and on safety decals.

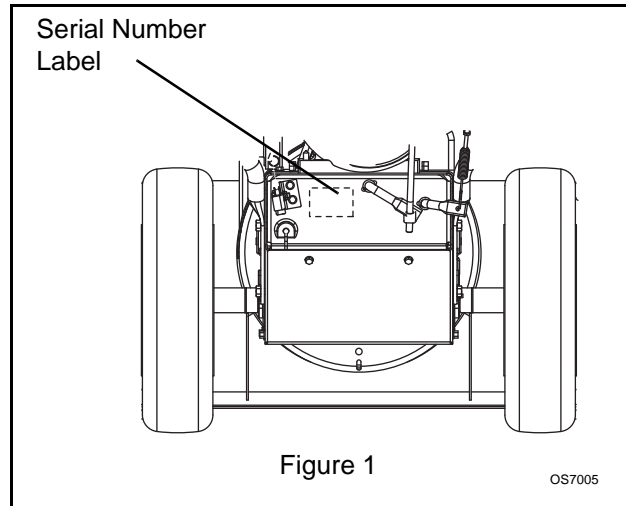
### Directional Reference

All reference to left, right, front, or rear are given from the operator in the operator position and facing the direction of forward travel.

### MODEL AND SERIAL NUMBERS

When ordering replacement parts or making service inquiries, know the Model and Serial numbers of your unit and engine.

Numbers are located on the product registration form in the unit literature package. They are printed on a serial number label, located on the frame of your unit.



### PRODUCT REGISTRATION

The Ariens dealer must register the product at the time of purchase. Registering the product will help the company process warranty claims or contact you with the latest service information. All claims meeting requirements during the limited warranty period will be honored, whether or not the product registration card is returned. Keep a proof of purchase if you do not register your unit.

**Customer Note:** If the dealer does not register your product, please fill out, sign, and return the product registration card to Ariens or go to [www.ariens.com](http://www.ariens.com).

### UNAUTHORIZED REPLACEMENT PARTS

Use only Ariens replacement parts. The replacement of any part on this vehicle with anything other than an Ariens authorized replacement part may adversely affect the performance, durability, or safety of this unit and may void the warranty. Ariens disclaims liability for any claims or damages, whether warranty, property damage, personal injury or death arising out of the use of unauthorized replacement parts. To locate your nearest Ariens Dealer, go to [www.ariens.com](http://www.ariens.com) on the internet.

## DISCLAIMER

Ariens reserves the right to discontinue, make changes to, and add improvements upon its products at any time without public notice or obligation. The descriptions and specifications contained in this manual were in effect at printing. Equipment described within this manual may be optional. Some illustrations may not be applicable to your unit.

## TECHNICAL SERVICE COMMUNICATIONS

Ariens Technical Service communicates information to the field using Service Letters, Service Bulletins, Product Notices, and Campaigns. Each communication signifies a type of information and priority. The dealer is responsible to carry out the

directive provided in the communication. The types of communication are:

**Service Letter** - General technical information for the dealer. Technical information on how to service the product and product improvements.

**Service Bulletin** - Notification to update products to resolve certain issues or a notification of a policy change.

**Product Notices** - Notification of limited product located in a certain region. This is a limited distribution to only those who received the product involved.

**Campaigns** - Notification of a safety related issue. All product must be updated and are tracked by the factory until all units are corrected.

## SAFETY



**WARNING:** To avoid injury to hands and feet, always disengage clutches, shut off engine, and wait for all movement to stop before unclogging or working on snow thrower.

Hand contact with the rotating impeller is the most common cause of injury associated with snow throwers. Never use your hand to clean out the discharge chute.

Keep hands and feet away from auger and impeller.

## SAFETY ALERTS



Look for these symbols to point out important safety precautions. They mean:

**Attention!**



**Personal Safety Is Involved!**

**Become Alert!**

**Obey The Message!**

The safety alert symbols above and signal words below are used on decals and in this manual. Read and understand all safety messages.



**DANGER: IMMINENTLY HAZARDOUS SITUATION!** If not avoided, WILL RESULT in death or serious injury.



**WARNING: POTENTIALLY HAZARDOUS SITUATION!** If not avoided, COULD RESULT in death or serious injury.



**CAUTION: POTENTIALLY HAZARDOUS SITUATION!** If not avoided, MAY RESULT in minor or moderate injury. It may also be used to alert against unsafe practices.

## NOTATIONS

**NOTE:** General reference information for proper operation and maintenance practices.

**IMPORTANT:** Specific procedures or information required to prevent damage to unit or attachment.

## PRACTICES AND LAWS

Practice usual and customary safe working precautions, for the benefit of yourself and others. Understand and follow all safety messages. Be alert to unsafe conditions and the possibility of minor, moderate, or serious injury or death. Learn applicable rules and laws in your area. Always follow the practices set forth in this manual.

## REQUIRED OPERATOR TRAINING

Original purchaser of this unit was instructed by the seller on safe and proper operation. If unit is to be used by someone other than original purchaser; loaned, rented or sold, ALWAYS provide this manual and any needed safety training before operation.

# SAFETY DECALS AND LOCATIONS

ALWAYS replace missing or damaged Safety Decals. Refer to figure below for Safety Decal locations.

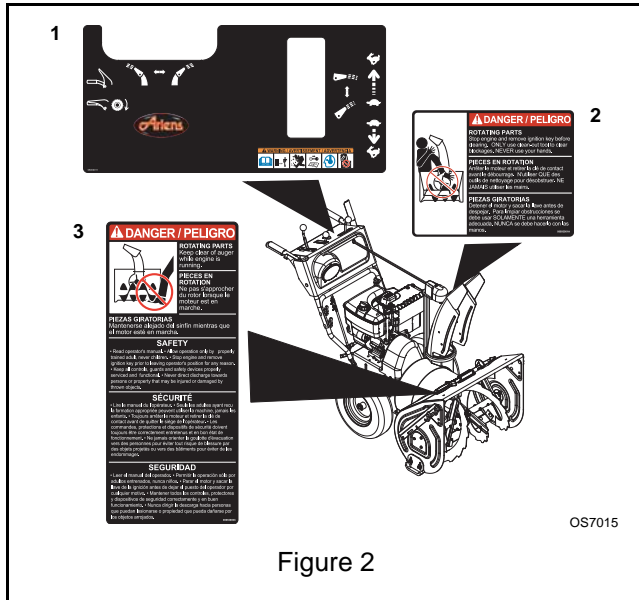


Figure 2

## 1. WARNING!



OL1801

Read Owner/Operator Manual.



OL4370

Keep people away from unit while operating. Keep children out of work area and under watchful care of a responsible adult.



OL0910

Never direct discharge towards persons or property that may be injured or damaged by thrown objects.



OL4010

Stop engine, remove key, read manual before making any repairs or adjustments.



OL4690

Wear appropriate hearing protection.



ONLY use clean-out tool to clear blockages. NEVER use your hands.

## 2. DANGER!



OS6610

ROTATING PARTS! ONLY use clean-out tool to clear blockages. NEVER use your hands. **High speed impeller rotates below discharge opening. Wait for all moving parts to stop before removing clogs or servicing.**

## 3. DANGER!



OS2080

### ROTATING PARTS.

Keep clear of auger while engine is running.

- Read Operator's Manual.
- Allow operation only by properly trained adult, never children.
- Stop engine and remove ignition key prior to leaving the operator's position for any reason.
- Keep all controls, guards and safety devices properly serviced and functional.
- Never direct discharge towards persons or property that may be injured or damaged by thrown objects.

## SAFETY RULES

Read, understand, and follow all safety practices in Owner/Operator Manual before beginning assembly or operating. Failure to follow instructions could result in personal injury and/or damage to unit.

ALWAYS remove key and/or wire from spark plug before assembly, maintenance or service. Unintentional engine start up can cause death or serious injury.

Complete a walk around inspection of unit and work area to understand:

- Work area
- Your unit
- All safety decals

ALWAYS check overhead and side clearances carefully before operation. ALWAYS be aware of traffic when operating along streets or curbs.

Keep children and people away. Keep children out of work area and under watchful care of a responsible adult.

NEVER allow children to operate or play on or near unit. Be alert and shut off unit if children enter area.

DO NOT allow adults to operate unit without proper training.

Keep area of operation clear of all toys, pets, and debris. Thrown objects can cause injury.

Check for weak spots on docks, ramps or floors. Avoid uneven work areas and rough terrain. Stay alert for hidden hazards.

Avoid uneven and rough terrain. DO NOT operate near drop-offs, ditches, or embankments. Unit can suddenly turn over if a wheel is over the edge of a cliff or ditch, or if an edge caves in.

Falling snow, fog, etc. can reduce vision and cause an accident. Operate unit only when there is good visibility and light.

Only trained adults may operate unit.

Training includes actual operation.

NEVER operate unit after or during the use of medication, drugs or alcohol. Safe operation requires your complete and unimpaired attention at all times.

NEVER allow anyone to operate this unit when their alertness or coordination is impaired.

DO NOT operate unit without wearing adequate winter outer garments. Wear adequate safety gear, including safety glasses with side shields, and protective gloves. Wear proper footwear to improve footing on slippery surfaces.

DO NOT wear loose clothing or jewelry and tie back hair that may get caught in rotating parts.

Protect eyes, face and head from objects that may be thrown from unit. Wear appropriate hearing protection.

Avoid sharp edges. Sharp edges can cut. Moving parts can cut off fingers or a hand.

ALWAYS keep hands and feet away from all rotating parts during operation. Rotating parts can cut off body parts.

NEVER place your hands or any part of your body or clothing inside or near any moving part while unit is running.

ALWAYS keep hands away from all pinch points.

DO NOT touch unit parts which might be hot from operation. Allow parts to cool before attempting to maintain, adjust or service.

Never direct discharge towards persons or property that may be injured or damaged by thrown objects. Use extreme caution on gravel surfaces. Stay alert for hidden hazards or traffic. Adjust Runners so Scraper Blade does not contact gravel.

DO NOT throw snow any higher than necessary.

Deflected materials can cause injury and property damage.

Always stand clear of the discharge area when operating this unit.

Fumes from engine exhaust can cause injury or death. DO NOT run engine in an enclosed area. Always provide good ventilation.

ALWAYS disengage attachment, stop unit and engine, remove key and allow moving parts to stop before leaving operator's position.

ROTATING IMPELLER CAN CAUSE SERIOUS INJURY. NEVER ATTEMPT TO UNCLOG OR CLEAN UNIT WHILE ENGINE IS RUNNING.

Read, understand, and follow all instructions in the manual and on the machine before starting.

Understand:

- How to operate all controls.
- The functions of all controls.
- How to STOP in an emergency.

Before starting engine, disengage control(s).

Use only approved extension cords and receptacles when starting units equipped with electric starter. DO NOT connect electric starter cord to any wiring system that is not a three-wire grounded system.

ALWAYS allow unit and engine to adjust to outdoor temperatures before clearing snow.

Always be sure of your footing, especially when operating in reverse or leaving the operator's position. Walk, never run during operation.

DO NOT overload the machine capacity by attempting to clear snow at too fast a rate.

DO NOT operate at too fast a rate.

Slow down and turn corners slowly.

Do not operate in reverse unless absolutely necessary. ALWAYS back up slowly. Always look down and behind before and while backing.

Disengage attachment drive when traveling from one work area to another.

Abnormal Vibrations are a warning of trouble. Striking a foreign object can damage unit. Immediately stop unit and engine. Remove key and wait for all moving parts to stop. Remove wire from spark plug. Inspect unit and make any necessary repairs before restart.

Before cleaning, removing clogs or making any inspections, repairs, etc.: disengage clutch(es), stop unit and engine, remove key, allow moving parts to stop. Allow hot parts to cool.

Run unit a few minutes after clearing snow to prevent freeze-up of attachment.

Disengage attachment when not in use. Disengage all clutches before starting engine. Adjust runners to clear gravel or crushed rock surfaces safely.

Never leave a running unit unattended. ALWAYS shut off engine before leaving unit. ALWAYS remove key to prevent unauthorized use.

Never carry passengers.

Check clutch and brake operation frequently. Adjust and service as required. All motion of drive wheels and auger/impeller must stop quickly when control levers are released.

DO NOT operate on steep slopes. DO NOT clear snow across the face of slopes. Keep all movement on slopes slow and gradual. DO NOT make sudden changes in speed or direction. Use a slow speed to avoid stops or shifts on slopes. Avoid starting or stopping on a slope.

DO NOT park unit on a slope unless absolutely necessary. When parking on a slope always block the wheels.

ALWAYS shut off engine, remove key, and close fuel shut-off valve or drain fuel when transporting unit on a truck or trailer.

Use extra care when loading or unloading unit onto trailer or truck.

Secure unit chassis to transport vehicle. NEVER secure from rods or linkages that could be damaged. DO NOT transport machine while engine is running.

Keep unit free of ice or other debris. Clean up oil or fuel spills.

This product is equipped with an internal combustion type engine. DO NOT use unit on or near any unimproved, forest-covered or brush covered land unless exhaust system is equipped with a spark arrester meeting applicable local, state or federal laws. A spark arrester, if it is used, must be maintained in effective working order by operator.

Fuel is highly flammable and its vapors are explosive. Handle with care. Use an approved fuel container.

NO smoking, NO sparks, NO flames. ALWAYS allow engine to cool before servicing.

NEVER fill fuel tank when engine is running or hot from operation.

NEVER fill or drain fuel tank indoors.

Replace fuel cap securely and clean up spilled fuel.

Never fill containers inside a vehicle or on a truck or trailer bed with a plastic liner. Always place containers on the ground away from your vehicle before filling.

When practical, remove gas-powered equipment from the truck or trailer and refuel it on the ground. If this is not possible, then refuel such equipment on a trailer with a portable container, rather than from a gasoline dispenser nozzle.

Keep the nozzle in contact with the rim of the fuel tank or container opening at all times until fueling is complete. Do not use a nozzle lock-open device.

If fuel is spilled on clothing, change clothing immediately.

Avoid Electric Shock. Objects contacting both battery terminals at the same time may result in injury and unit damage. DO NOT reverse battery connections.

Explosive Gases from battery can cause death or serious injury. Poisonous battery fluid contains sulfuric acid and its contact with skin, eyes or clothing can cause severe chemical burns.

No flames, No sparks, No smoking near battery.

ALWAYS wear safety glasses and protective gear near battery.

DO NOT TIP battery beyond a 45° angle in any direction.

ALWAYS keep batteries out of reach of children.

Battery posts, terminals and related accessories contain lead and lead compounds, chemicals known to the State of California to cause cancer and reproductive harm. Wash hands after handling.

Follow First Aid directions for contact with battery fluid.

- External Contact: Flush with water.
- Eyes: Flush with water for at least 15 minutes and get medical attention immediately!
- Internal Contact: Drink large quantities of water. Follow with Milk of Magnesia, beaten egg or vegetable oil. Get medical attention immediately!
- In case of internal contact, DO NOT induce vomiting!

Before tipping unit up onto housing, remove fuel so no spills will occur and remove battery. Ensure unit is secure and will not tip over during maintenance.

ALWAYS keep protective structures, guards, and panels in good repair, in place and securely fastened. NEVER modify or remove safety devices.

DO NOT change engine governor settings or over-speed engine.

Fumes from engine exhaust can cause injury or death. DO NOT run engine in an enclosed area. Always provide good ventilation.

ALWAYS maintain unit in safe operating condition. Damaged or worn out muffler can cause fire or explosion.

Keep all hardware properly tightened. Check shear bolts frequently.

Maintain or replace safety and instruction labels, as necessary.

NEVER store unit with fuel in fuel tank, inside a building where any ignition sources are present such as hot water heaters, space heaters, or clothes dryers. Allow the engine to cool before storing in any enclosure.

Shut off fuel and allow engine to cool completely before storing in closed area or covering unit.

For extended storage, clean unit thoroughly. See Engine Manual for proper storage.

Use only attachments or accessories designed for your unit.

Check components frequently. If worn or damaged, replace with manufacturer's recommended parts.

# ASSEMBLY

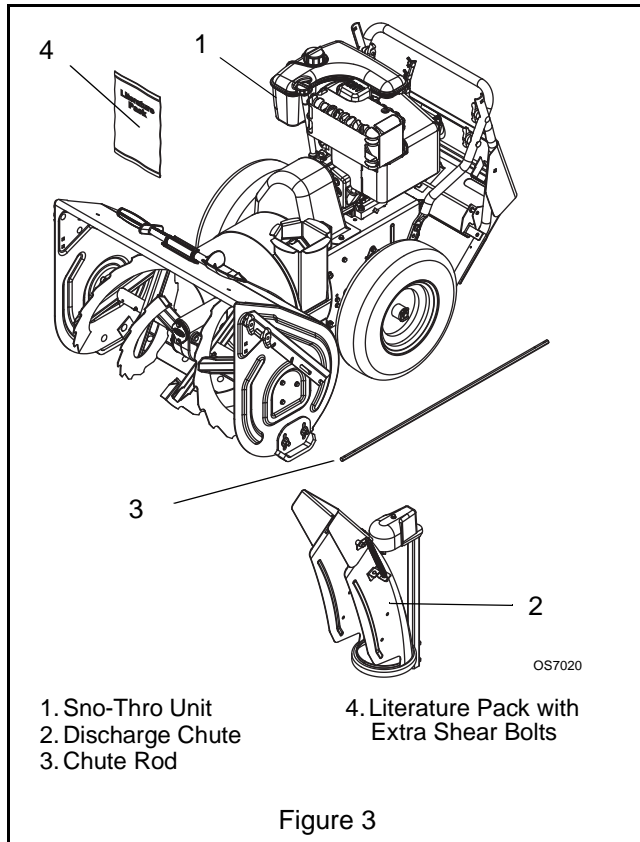


**WARNING:** AVOID INJURY. Read and understand the entire *Safety* section before proceeding.



**WARNING:** Dropping or tipping over boxed unit could result in personal injury or damage to unit.

## PACKAGE CONTENTS



## ASSEMBLY

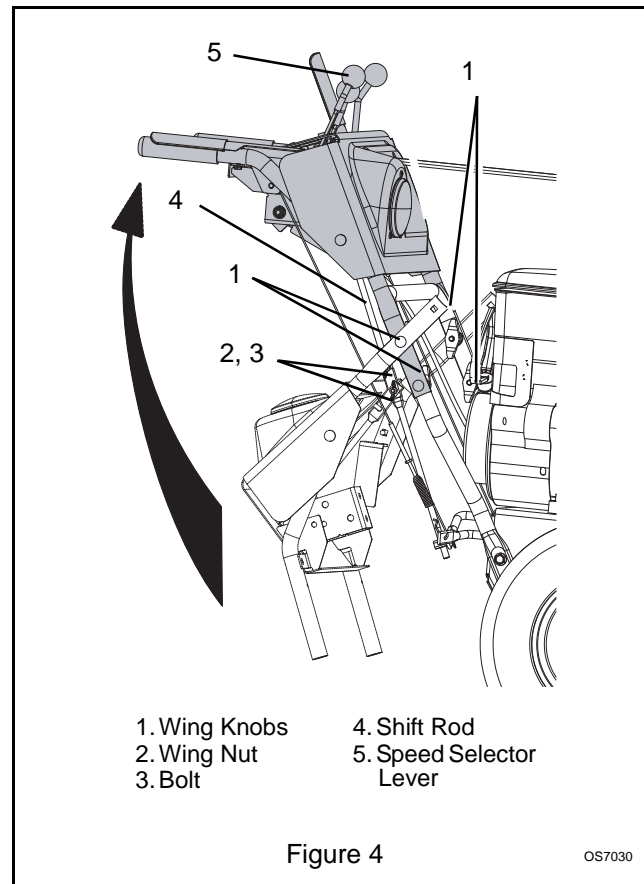
### Tools Required:

- Pliers
- Open-End Wrenches: 3/8, 7/16, 1/2, 9/16 in. and/or Adjustable Wrench
- Tire Gauge

## Unfold Handlebar (Figure 4)

1. Remove the lower and loosen the upper wing knobs on the handlebar assembly.
2. Loosen the wing nuts on the shift rod.
3. Put the speed selector lever in the first forward position.
4. Rotate the handlebars into operating position.
5. Install and tighten all wing knobs and wing nuts on the handlebar assembly and shift rod.

**NOTE:** The handlebar has two height positions. Adjust the handlebar height to provide better operator comfort. See *Handlebar Height* on page 23.

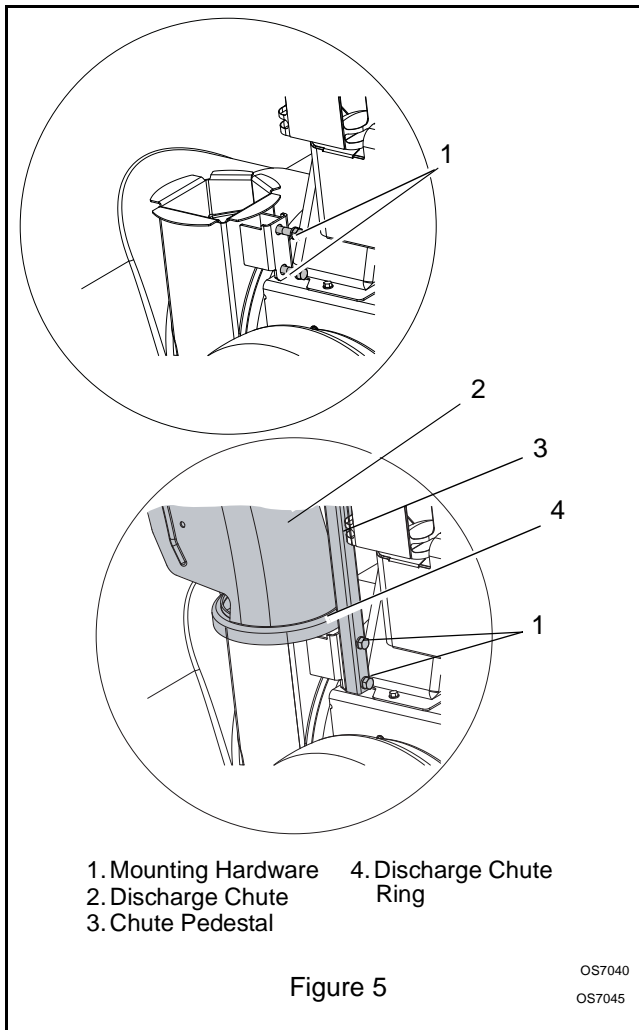


## Install Discharge Chute and Discharge Chute Crank

(Figure 5)

1. Grease underside of discharge chute ring (if not already greased).
2. Remove mounting hardware from auger housing.
3. Install discharge chute over opening in the auger housing. Finger tighten the mounting hardware removed in step 2.

**NOTE:** Leave discharge chute pedestal loose to help install the chute rod and connect it to the control assembly.



### Install Discharge Chute Crank

1. Remove the cover from the gear assembly on the discharge chute.
2. Release the lock teeth on the gear assembly with your finger and rotate the discharge chute 90° left.
3. Remove and save the hairpin from the control assembly underneath the control panel.

**NOTE:** Do not remove the pin installed on the chute rod.

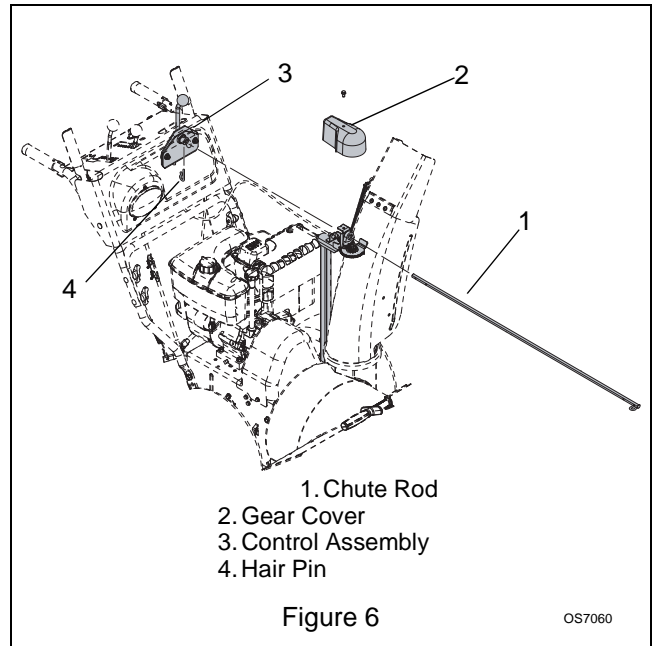
**NOTE:** To ensure the discharge chute follows its full range of travel, make sure the control lever is pushed all the way to the left before installing and pinning the chute rod.

4. Align the holes on the end of the chute rod with the mark on the gear assembly and slide the end without a pin through the gear assembly, through the loop on the chute lock cable and into the hex hole in the control assembly.

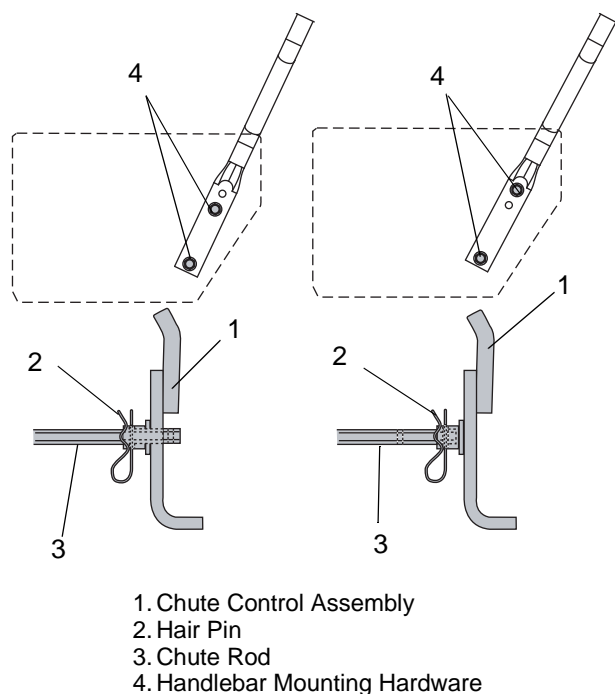
**IMPORTANT:** The loop will prevent the control cable from contacting the engine or muffler guard. If the loop gets damaged, loosely tie the cable to the control rod.

**NOTE:** After the chute rod has been inserted through the hex hole in the control assembly, placing the unit in the service position (see *Service Position* on page 19) will ease alignment and installation of the hair pin.

5. Secure the chute rod to the control assembly with the hair pin removed in step 3 using the proper hole location as shown in Figure 7. Insert the hair pin with the loop end to the left of the chute rod so the control assembly follows a full range of travel.



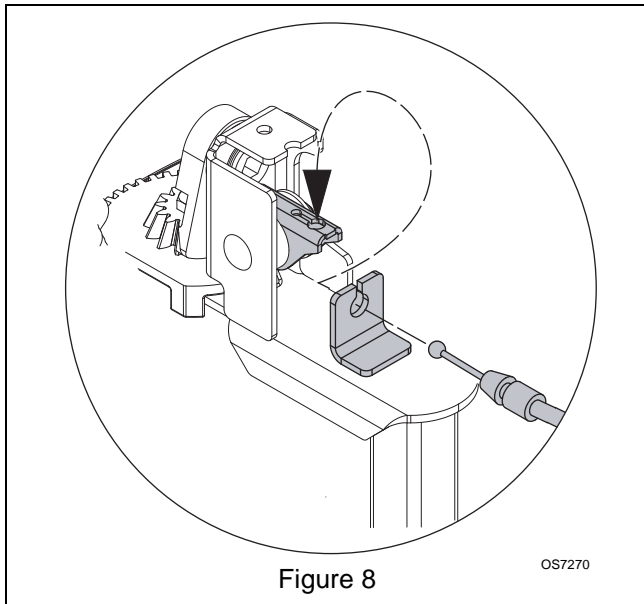
Use the handlebar hardware locations on the side of the unit frame to determine which hole gets used to secure the chute rod to the control assembly.





6. Insert the chute lock cable fitting into the bracket on the chute pedestal, and then connect the chute lock cable to the lock teeth by fitting the cable ball end into the slot on the lock teeth.

**NOTE:** Press down on lock teeth with your finger to align the cable ball end with the slot.



7. Replace the gear cover removed in step 1.

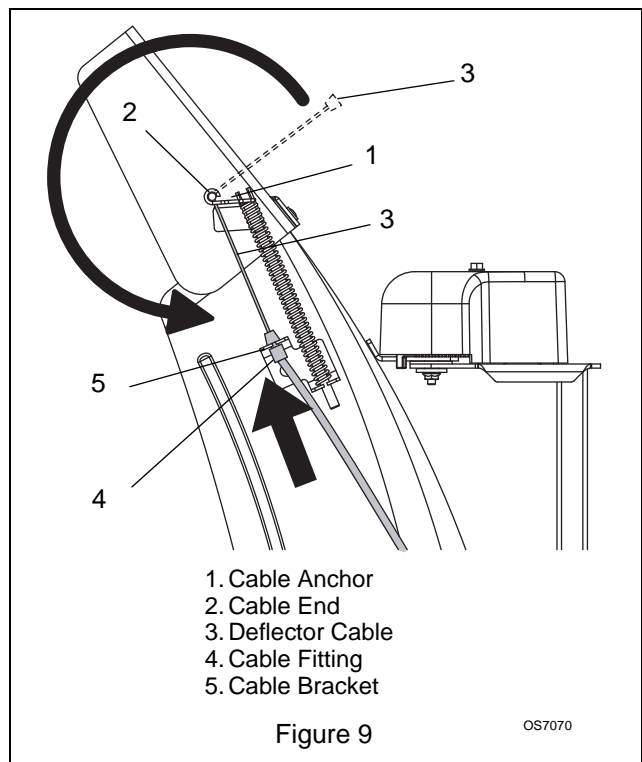
**IMPORTANT:** Rotate the discharge chute to the left when tightening the pedestal hardware to ensure clearance between the discharge chute and the belt cover.

8. Tighten pedestal hardware to 15–31 lbf-ft (20-42 N•m).
9. Make sure the discharge chute rotates left and right when you push the discharge chute control lever left and right.

## Deflector Remote

**NOTE:** Connect the cable end to the cable anchor on the discharge deflector before clipping the cable to the cable bracket on the discharge chute.

1. Route deflector remote cable along the left side of the chute pedestal.
2. Insert the barrel on the cable end into the bracket on left side of chute deflector (Figure 9).
3. Hold seal out of the way while routing the cable through the bracket on the left side of the discharge chute, and then push the cable fitting into the bracket.
4. Push the seal securely over the end of the cable fitting to prevent water from entering the cable.
5. Check deflector travel. Adjust nut on cable end under handlebar to obtain full travel, if necessary. (See *Deflector Remote* on page 25.)



### **Connect Battery (926500, 501)**

1. Remove wing nuts from battery cover.
2. Install wire leads to battery terminal (Red + , Black -).
3. Install battery cover and tighten wing nuts.

### **Check Function of Dual Handle Interlock**

Without the engine running, press down (engage) both clutch levers. Release attachment clutch lever. Attachment clutch should remain engaged until traction clutch lever is released, then both clutches *must* disengage. If they do not, contact your dealer for repairs.

### **Check Tire Pressure**

Check tire pressure and adjust to the pressure listed on tire sidewall.

### **Check Auger Gearcase Oil**

Check oil level in auger gearcase (see *Check Auger Gearcase* on page 21).

### **Check Engine Crankcase Oil**

**IMPORTANT:** The engine is shipped with 5W-30 oil in crankcase. Refer to Engine Manual for detailed instructions.

### **Fill Engine Fuel Tank**

Refer to Engine Manual for proper fuel type and tank capacity.

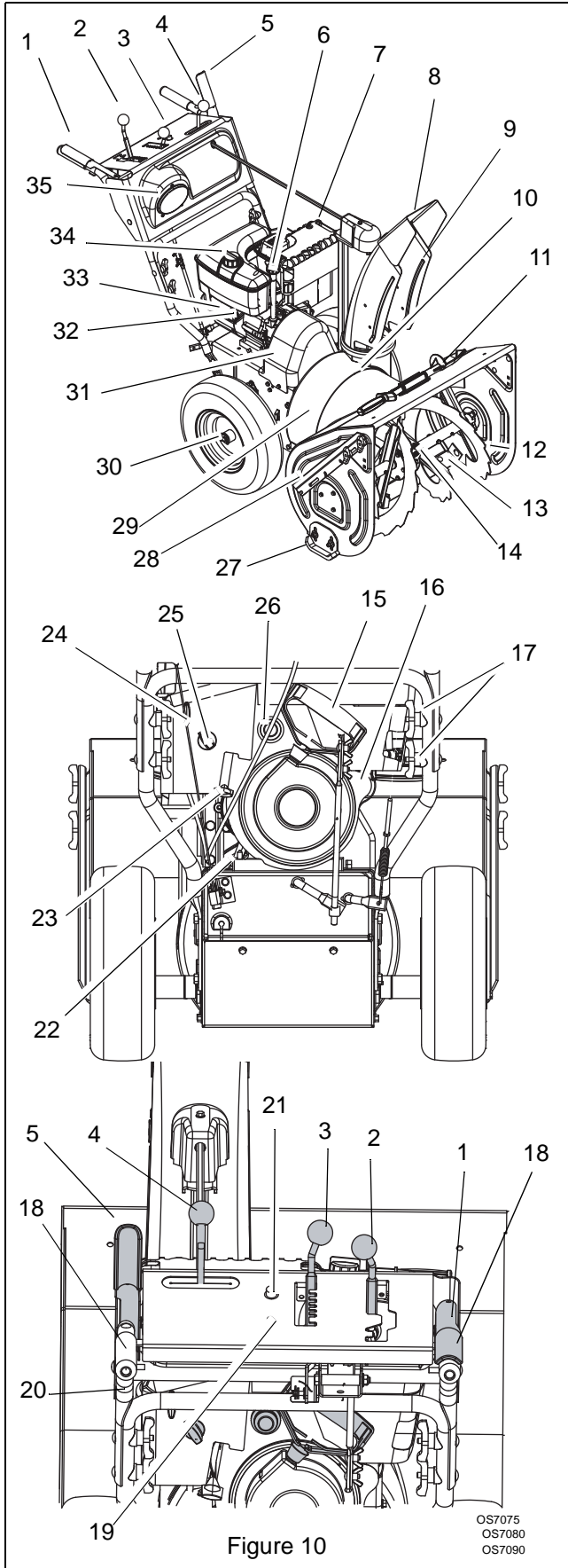
### **Check Function of all Controls**

Ensure unit runs and performs properly. Refer to *Operation*.

### **Run-in Attachment Belt**

1. Start unit in a well-ventilated area according to *Starting and Shut Off* on page 17.
2. Engage attachment clutch lever and run attachment for about 15 minutes.
3. Stop unit, wait for all moving parts to stop, and remove spark plug wire.
4. Adjust belt finger, if necessary. See *Attachment Drive Belt Replacement* on page 29.
5. Adjust clutch idler according to *Attachment Clutch/Brake Adjustment* on page 26.

# CONTROLS AND FEATURES



1. Attachment Clutch Lever
2. Speed Selector
3. Deflector Remote Control
4. Chute Control
5. Traction Drive Clutch Lever
6. Oil Fill/Dipstick
7. Muffler Guard
8. Discharge Chute Deflector
9. Discharge Chute
10. Impeller
11. Clean-out Tool
12. Auger
13. Scraper Blade
14. Auger Gearcase
15. Recoil Starter Handle
16. Electric Starter (926001, 002, 003, 004, 005, 006, 101, 102, 103, 300, 301, 302, 303, 304)
17. Wing Knobs
18. Heated Handles
19. Ignition Key (926500, 501)
20. Remote Differential Wheel Lock (926001, 002, 003, 004, 005, 006, 300, 301, 302, 303, 304)
21. Heated Handles Switch
22. Oil Drain Plug
23. Throttle (Engine Stop)
24. Ignition Key, push-pull (926001, 002, 003, 004, 005, 006, 101, 102, 103, 300, 301, 302, 303, 304)
25. Choke Control Knob
26. Primer Bulb
27. Runner
28. Drift Cutter
29. Battery Cover and Battery (926500, 501)
30. Axle Lock Pin (926001, 101, 504)
31. Belt Cover
32. Solenoid Compartment (926500, 501)
33. Fuel Shut-Off Valve
34. Fuel Tank and Cap
35. Headlight

Figure 10

OS7075  
OS7080  
OS7090

# OPERATION



**WARNING: AVOID INJURY.** Read and understand the entire *Safety* section before proceeding.



**WARNING:** To avoid injury to hands and feet, always disengage clutches, shut off engine, and wait for all movement to stop before unclogging or working on snow thrower. Keep hands and feet away from auger and impeller.

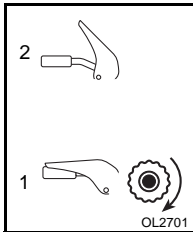
## CONTROLS AND FEATURES

See Figure 10 for all Controls and Features locations.

### Dual Handle Interlock

When Attachment Clutch and then Traction Drive Clutch are engaged, the Attachment Clutch will remain engaged (lever down) if released. To stop attachment, release Traction Drive Clutch and both clutches will disengage.

### Traction Drive Clutch - Left Hand Lever



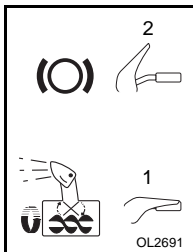
Squeeze the Traction Drive Clutch Lever against the Handlebar (1) to engage wheel drive for propelling unit. Forward speed will vary according to snow depth and moisture content.

Release lever (2) to stop movement.

**NOTE:** When traveling to or from the

area to be cleared, press down on the handlebars enough to raise the front of the unit slightly off the surface. Engage the traction drive clutch without engaging the attachment drive clutch.

### Attachment Clutch - Right Hand Lever



Squeeze Attachment Clutch Lever against handlebar (1) to engage attachment. Release both clutch levers (2) to disengage power and apply brake to attachment.

**IMPORTANT:** If the belt squeals when the attachment clutch lever is engaged, the impeller may be frozen in the auger housing. Immediately

release the attachment clutch lever and move the unit into a heated area to thaw.

**NOTE:** If belt squeals when impeller turns freely, see *Attachment Drive Belt Replacement* on page 29.

### Ignition Switch (120V or 240V start on engine)

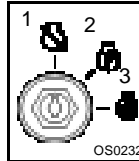


Key Switch has two positions:

1. "Stop" - pulled out
2. "Run" - pushed in

**NOTE:** DO NOT twist key after it is inserted.

### Ignition Switch (12V start on dash panel)



The ignition switch is operated by a removable key. It has three positions:

1. Stop
2. Run
3. Start

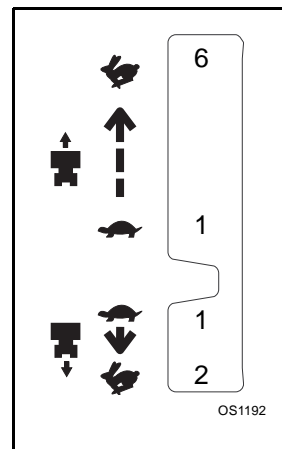
### Primer Bulb



Pushing the primer bulb in adds fuel for easier engine start. Refer to *Starting and Shut Off* on page 17.

### Speed Selector

Position the Speed Selector in the appropriate speed notch to control forward and reverse travel.



Forward:

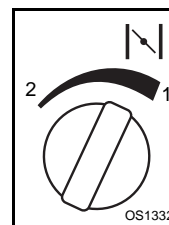
- (6) Fastest
- (1) Slowest

Reverse:

- (1) Slow
- (2) Fast

**IMPORTANT:** DO NOT change motion from forward to reverse with clutch engaged. Forward speed can be changed without declutching.

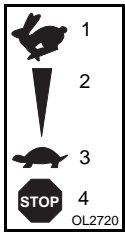
### Choke Control Knob



1. Choke Closed position: chokes off air to engine for easier start.
2. Choke Open position: allows for normal operation.

**IMPORTANT:** Gradually open choke after engine starts.

## Throttle



The throttle controls the engine speed. To increase or decrease the engine speed, adjust to:

1. Fast (normal or warm starts)
2. Part-Throttle
3. Slow
4. Stop (engine is off) (Not on 12V models)

## Electric Starter

The electric starter will start a properly choked and cranked engine when the key is turned (12V) or starter button (120V or 240V) is pushed. Refer to *Starting and Shut Off* on page 17.

## Recoil Starter Handle

When pulled, handle will turn engine over.

**IMPORTANT:** DO NOT let handle snap back against starter.

## Snow Clean-Out Tool (Figure 11)



**WARNING:** Hand contact with the rotating impeller is the most common cause of injury associated with snow throwers. Never use your hand to clean out the discharge chute.

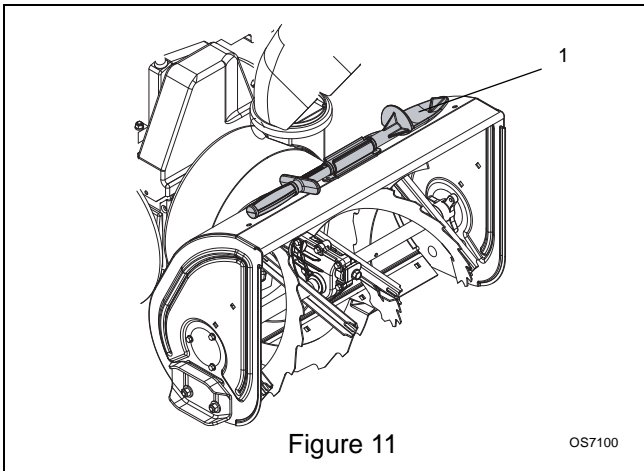


Figure 11

To clear the chute:

1. Shut off the engine.
2. Wait 10 seconds and make sure impeller blades have stopped rotating.
3. Remove the snow clean-out tool (1) from the auger housing and use it to remove the clog.
4. Replace the snow clean-out tool on the auger housing.

## Deflector Remote

Place deflector into position before operation. DO NOT throw snow any higher than necessary.

Place deflector remote in a forward notch to throw snow lower. Place deflector remote in a rearward notch to throw snow higher.

## Discharge Chute

Discharge chute rotates 200°.

ALWAYS position discharge chute in safe direction and angle, away from operator and bystanders, before starting engine.

## Discharge Chute Control

**IMPORTANT:** If chute does not stay in set position, adjust as directed in *SERVICE AND ADJUSTMENTS* on page 23, or repair before operation.

Rotate the Chute with Discharge Chute Control.

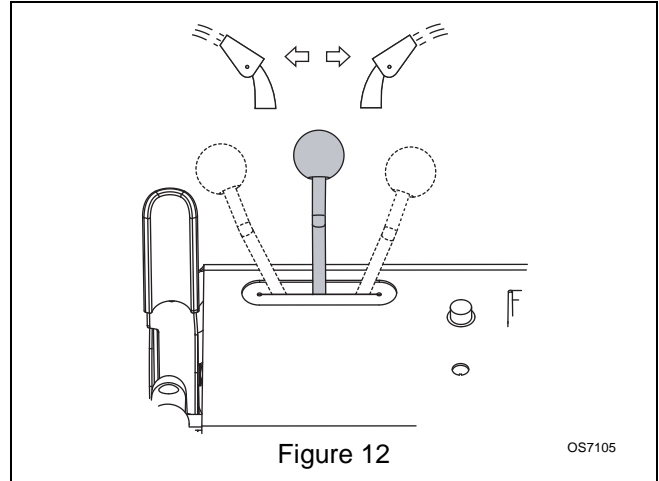
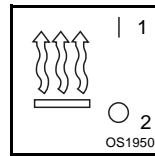


Figure 12

**IMPORTANT:** DO NOT force frozen chute controls. If still frozen, take to warm place until controls are free.

## Heated Handles (926002, 003, 004, 005, 006, 102, 103, 300, 301, 302, 303, 304, 500, 501)



Turn the heated handles switch to the ON (1) position to activate. Turn the switch to the OFF (2) position to deactivate.

## Remote Differential (926004, 005, 006, 300, 301, 500, 501)

Squeeze and hold the remote differential lever to lock differential so both wheels drive and provide better traction. Release the remote differential lever to allow easier steering.

If remote differential does not engage or disengage properly, adjust or repair before operation (see *REMOTE DIFFERENTIAL* (926004, 005, 006, 300, 301, 500, 501) on page 24).

## Remote Wheel Lock (926002, 003, 102, 103, 302, 303, 304)

Squeeze and release the remote wheel lock to lock the left wheel for better traction when throwing snow or to unlock the left wheel for easier steering.

**NOTE:** The wheel lock will not release when under load. Do not unlock the wheel while turning. If the wheel lock will not release, turn the unit slightly left or right to relieve axle load and release the axle lock.

If remote wheel lock does not lock or unlock properly, adjust or repair before operation (see *REMOTE WHEEL LOCK* (926002, 003, 102, 103, 302, 303, 304) on page 24).

**Axle Lock Pin (Figure 13) (926001, 101, 504)**

Use the axle lock pin to lock or unlock the right or left wheel. Lock both wheels to increase traction; unlock one wheel to allow for easier turning of the unit.

**NOTE:** Unit will not drive with both wheels unlocked.

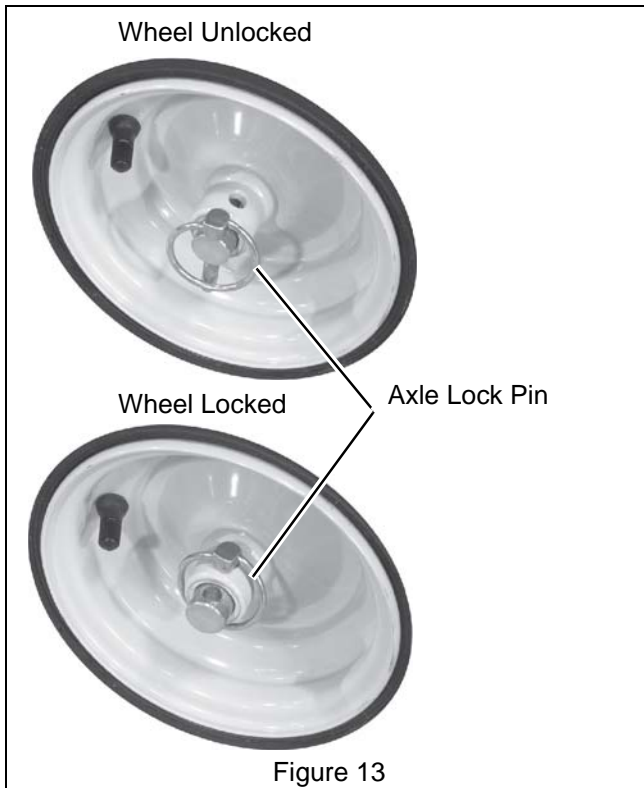


Figure 13

**Scraper Blade**

The scraper blade allows the back of the housing to keep better contact with the surface being cleared. It also prevents damage to the housing from normal wear.

**IMPORTANT:** DO NOT allow Scraper Blade to wear too far or Auger/Impeller housing will become damaged.

**Runners**

The runners control the distance between the scraper blade and the ground. Adjust runners equally to keep blade level with the ground. Refer to *Pre-Start* on page 17 for recommended settings.

**Drift Cutters (Figure 14)**

Drift cutters break up snow drifts that are taller than the auger housing and direct the snow into the auger. Store the drift cutters on the auger housing when not in use. Install them as shown below so they are taller than the snow to be cleared.

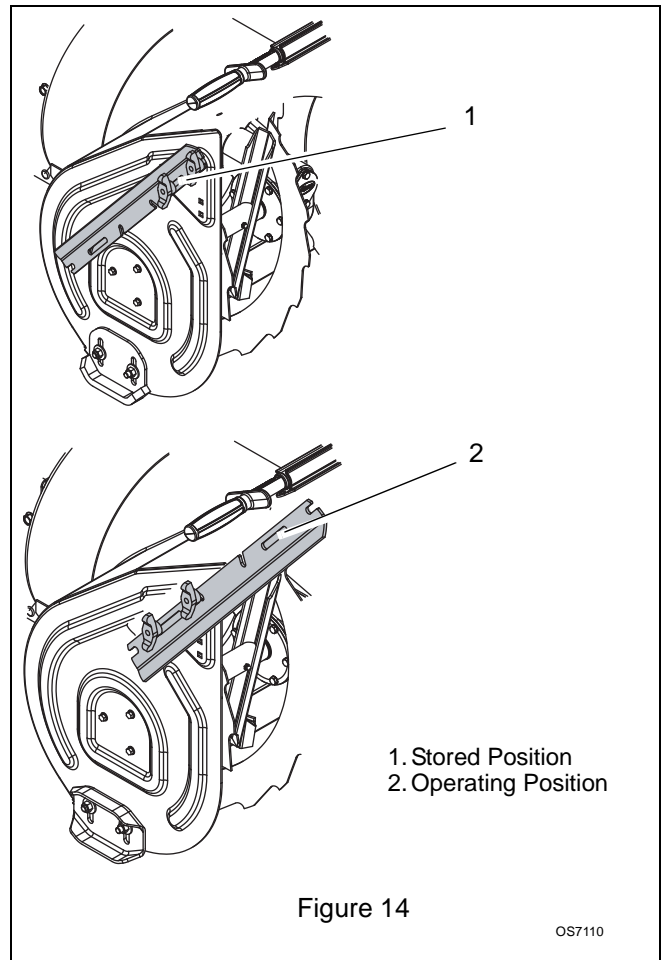


Figure 14

OS7110

**FILLING FUEL TANK**



**WARNING:** AVOID INJURY. Read and understand the entire *Safety* section before proceeding.

**Fuel Shut-Off Valve**

**IMPORTANT:** The fuel shut-off valve **MUST** be in the closed position prior to transporting the unit.

The fuel shut-off valve has two positions:

- Closed Position: Use this position to service, transport, or store the unit.
- Open Position: Use this position to run the unit.

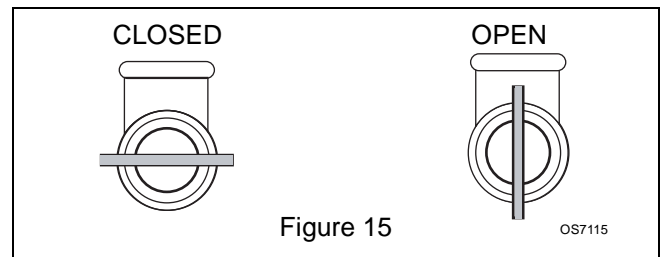


Figure 15

OS7115

**To add fuel to fuel tank:**

1. ALWAYS place unit in open or well-ventilated area.
2. Stop engine and allow to cool.

3. Clean Fuel Cap and surrounding area to prevent dirt from entering Fuel Tank.

4. Remove Cap.

**IMPORTANT:** DO NOT use gasohol or gasoline containing alcohol. See Engine Manual for correct type and grade of fuel.

5. Fill fuel tank to within 1/2 in. (1.2 cm) below bottom of filler neck with unleaded gasoline.

**NOTE:** Tank capacity is 1 gallon (3.8 liters).

6. Replace Fuel Cap and tighten.

7. ALWAYS clean up any spilled fuel.

## PRE-START

### 1. Frozen Impeller

**IMPORTANT:** Before starting engine, check impeller to be sure it is not frozen.

To check impeller:

1. With ignition key switch in "Stop" position, squeeze Attachment Clutch Lever to Engaged position.
2. Pull Recoil Starter Handle.
3. If Impeller is frozen, (cannot pull Starter Handle) move unit to a heated area and thaw to prevent possible damage.

### 2. Check Function of Clutches

If clutches do not engage or disengage properly, adjust or repair before operation (see *SERVICE AND ADJUSTMENTS* on page 23).

### 3. Check Dual Handle Interlock

Without the engine running, press down (engage) both clutch levers. Release attachment clutch lever. Attachment clutch should remain engaged until traction clutch lever is released, then both clutches *must* disengage.

If clutches do not engage or disengage properly, adjust or repair before operation (see *SERVICE AND ADJUSTMENTS* on page 23).

### 4. Check Remote Differential (926004, 005, 006, 300, 301, 500, 501)

Test the remote differential lock before starting. Squeeze and hold the remote differential lever to lock differential so both wheels drive and provide better traction. Release the remote differential lever to allow easier steering.

If remote differential does not engage or disengage properly, adjust or repair before operation (see *REMOTE DIFFERENTIAL (926004, 005, 006, 300, 301, 500, 501)* on page 24).

### 5. Check Remote Wheel Lock (926002, 003, 102, 103, 302, 303, 304)

Squeeze and release the remote wheel lock to lock the left wheel for better traction when throwing snow or to unlock the left wheel for easier steering.

If remote wheel lock does not lock or unlock properly, adjust or repair before operation (see *REMOTE WHEEL LOCK (926002, 003, 102, 103, 302, 303, 304)* on page 24).

### 6. Check Adjust Axle Lock (926001, 101, 504)

Use the axle lock pins to lock or unlock the wheels. Lock both wheels to increase traction; unlock one wheel to allow for easier turning of the unit.

### 7. Check Runners

Check and adjust Runners (*SERVICE AND ADJUSTMENTS* on page 23). Allow 1/8 in. (3 mm) between scraper blade and hard, smooth surface(s). Allow 1-1/4 in. (30 mm) between scraper blade and uneven or gravel surfaces.

### 8. Check Engine Fuel & Crankcase Oil



**WARNING:** AVOID INJURY. Read and understand the entire *Safety* section before proceeding.

Check and add fuel if required. Check that the engine crankcase oil is full using dipstick. Refer to Engine Manual for detailed instructions.

## TO STOP IN AN EMERGENCY

Immediately release both control levers to stop unit in an emergency. Stop engine, remove key and wait for all rotating parts to stop before leaving operator's position.

## STARTING AND SHUT OFF



**WARNING:** FAILURE TO FOLLOW INSTRUCTIONS could result in personal injury and/or damage to unit. DO NOT attempt to start your unit at this time. Read entire Owner/Operator Manual and the Engine Manual first.

**IMPORTANT:** Allow unit and engine to adjust to the outdoor temperature before clearing snow. Before shut-off, run the attachment a few minutes to prevent impeller freeze-up.

**NOTE:** Try out each control without the engine running to see how it works and what it does.

### Manual Start

1. Turn discharge chute straight ahead.
2. Make sure that the traction clutch and attachment drive clutch levers are fully disengaged.
3. Push Primer Bulb 2 or 3 times for cold engine.

**NOTE:** When temperature is below -15° F (-26° C) additional priming may be needed.

4. If engine is cold, apply choke. See Engine Manual for detailed instructions.

**NOTE:** A warm engine requires less choking than a cold engine.

5. Set throttle to proper starting position.
6. Insert key into ignition switch.  
12V - Turn key to RUN position.  
120V or 240V - Push key into RUN position. DO NOT twist key after it is inserted.
7. Grasp starter handle and pull rope out slowly until it pulls harder. Let rope rewind slowly.
8. Pull rope with a rapid continuous full arm stroke. Let rope rewind slowly.

**IMPORTANT:** DO NOT let Starter Handle snap against Starter.

9. Repeat steps 7 and 8 until engine starts. (If engine does not start, refer to *TROUBLESHOOTING* on page 59.)
10. Adjust choke as needed.
11. Set throttle to Part Throttle or Slow position for adaptation to outside temperature or travel. Set throttle to Fast position for normal operation.

### Electric Start (120V or 240V)

1. Connect extension cord to starter.

**IMPORTANT:** Prevent damage to unit. Know voltage of your starter and only use matching outlets.

2. Plug extension into 120V or 240V 3-wire, grounded outlet.
3. Turn discharge chute straight ahead.
4. Make sure that the traction clutch and attachment drive clutch levers are fully disengaged.
5. Push Primer Bulb 2 or 3 times for cold engine.

**NOTE:** When temperature is below -15° F (-26° C) additional priming may be needed.

6. Insert key into ignition switch on engine and push into "Run" position. DO NOT twist key after it is inserted.
7. If engine is cold, apply choke. A warm engine requires less choking than a cold engine. See Engine Manual for detailed instructions.
8. Set throttle to proper starting position. (All models except 926007)
9. Press starter button on engine until engine starts.

**IMPORTANT:** DO NOT operate starter more than 15 seconds per minute, as overheating and damage can occur. (If engine does not start, refer to *TROUBLESHOOTING* on page 59.)

10. Adjust choke as needed.
11. Disconnect power cord from outlet, then starter.

12. Set throttle to Part Throttle or Slow position for travel or adaptation to outside temperature. Set throttle to Fast position for normal operation. (All models except 926007)

### Electric Start (12V)

1. Turn discharge chute straight ahead.
2. Make sure that the traction clutch and attachment drive clutch levers are fully disengaged.
3. Push Primer Bulb 2 or 3 times for cold engine.

**NOTE:** When temperature is below -15° F (-26° C) additional priming may be needed.

4. If engine is cold, apply choke. See Engine Manual for detailed instructions.

**NOTE:** A warm engine requires less choking than a cold engine.

5. Set throttle to proper starting position.
6. Turn ignition key to the START position until engine starts and release into the RUN position.

**IMPORTANT:** DO NOT operate starter more than 15 seconds per minute, as overheating and damage can occur. (If engine does not start, refer to *TROUBLESHOOTING* on page 59.)

7. Adjust choke as needed.
8. Set throttle to Part Throttle or Slow position for travel or adaptation to outside temperature. Once achieved, set throttle to Fast position for normal operation.

### Shut Off

1. Release Traction Drive Clutch Lever and allow unit to come to a complete stop.
2. Run Impeller a few minutes after use to prevent freeze-up of Impeller.
3. Release Attachment Clutch Lever and wait for all moving parts to come to a complete stop.
4. Move Throttle to the "Stop" position. (All models except 926007)
5. Turn engine shut-off switch "OFF". (926007)
6. Remove key.

### SNOW REMOVAL

**IMPORTANT:** Allow unit and engine to adjust to the outdoor temperature before clearing snow.

**NOTE:** Attachment clutch should be engaged before wheel drive clutch when throwing snow.

1. Select Speed Control position and direction.
2. Engage Attachment Clutch - Right Hand Lever.
3. Engage Traction Drive Clutch - Left Hand Lever.

**IMPORTANT:** DO NOT overload unit capacity by attempting to clear snow at too fast a rate. Use slow speed to clear deep or hard packed snow.



## Tips for Operation

Snow is best removed as soon as possible after snow fall.

To clear an area, run unit in an overlapping series of paths. For large areas, start in the middle and throw snow to each side, so snow is not cleared more than once.

ALWAYS direct snow away from area to be cleared and with direction of the wind.

## TRAVELING

To travel from one work area to another:

1. Set Throttle to Slow or Part-Throttle position.
2. Press down on handlebars enough to raise front of unit slightly off surface.
3. Engage wheel drive clutch without engaging attachment drive clutch.

## TRANSPORT

ALWAYS shut off engine, remove key, and close fuel shut-off valve when transporting unit on a truck or trailer.

Use extra care when loading or unloading unit onto trailer or truck.

Secure unit chassis to transport vehicle. NEVER secure from rods or linkages that could be damaged.

DO NOT transport machine while engine is running.

# MAINTENANCE

Ariens Dealers will provide any service or adjustments which may be required to keep your unit operating at peak efficiency. Should engine service be required, contact an Ariens dealer or an authorized engine manufacturer's service center.



**WARNING:** AVOID INJURY. Read and understand the entire *Safety* section before proceeding.

## SERVICE POSITION



**WARNING:** Before tipping unit up onto housing, remove fuel so no spills will occur and remove battery (if equipped). Ensure unit is secure and will not tip over during maintenance.



**WARNING: ACCIDENTAL ENGINE START UP** can cause death or serious injury. **ALWAYS** stop engine, remove key, wait for moving parts to stop and remove wire from spark plug before adjusting or servicing. **HOT SURFACES** can result in death or serious injury. **DO NOT** touch parts which are hot from operation. **ALWAYS** allow parts to cool.

## Upright Service Position (Figure 16)

1. Draw gas from gas tank to prevent spilling.
1. Place unit on a flat level surface.
2. Tip unit forward onto front of auger housing.
3. Ensure unit is secure and will not tip over.
4. Strap and clamp onto bench if needed.

## Belt Service Position

To place unit into Belt Service position:

1. Draw gas from gas tank to prevent spilling.
5. Remove the two screws from the belt guard and remove the guard.
6. Remove hair pin under the control panel connecting the discharge chute rod from the chute rotation lever and slide the discharge chute rod forward.

**IMPORTANT:** Disconnect chute lock cable and deflector cable if equipped.

7. Loosen the belt finger guards at the pulley and pivot away from the belts.

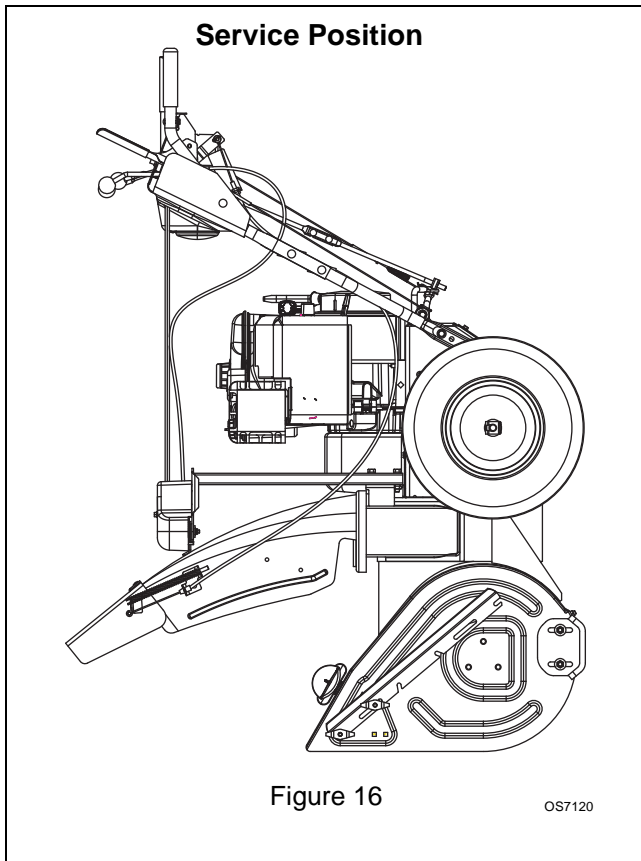
**IMPORTANT:** Use care when rotating the belt fingers. DO NOT bend belt fingers out of shape.

8. Remove the attachment drive belt from the engine pulley.

**IMPORTANT:** To avoid bending the bottom cover plate, support handlebars firmly or tip the unit up on the blower housing. Remove the plate by unscrewing the six cap screws before separating unit.

**IMPORTANT:**

9. Tip the unit back down and remove the two capscrews securing the housing to the frame.
10. Tip the two halves apart exposing the belts and pulleys.



## MAINTENANCE SCHEDULE

The chart below shows the recommended maintenance schedule that should be performed on a regular basis. More frequent service may be required.

MAINTENANCE SCHEDULE				
Service Performed	Each Use	Every 5 hrs.	Every 25 hrs.	Yearly
Check Dual Handle Interlock	•			
Check Fasteners	•			
Check Clutch Operation	•			
Check Clutch Spring Adjustments		*	•	
Clean Engine	•			
Check Engine Oil		•		
Change Engine Oil		**	•	
Check Tire Pressure			•	
Check Auger Gearcase			•	•
General Lubrication			•	•
Battery Maintenance			•	•

\* After first five hours of operation.

\*\* After first two hours of operation.

### CHECK DUAL HANDLE INTERLOCK

Without the engine running, press down (engage) both clutch levers. Release attachment clutch lever. Attachment clutch should remain engaged until traction clutch lever is released, then both clutches *must* disengage.

### CHECK FASTENERS

Make sure all hardware is tightened properly.

### CHECK CLUTCH OPERATION

Auger / impeller must stop within 5 seconds when attachment clutch/impeller brake lever is released.

Wheels must stop quickly when traction drive clutch lever is released.

If clutches do not engage or disengage properly, adjust or repair before operation (see *SERVICE AND ADJUSTMENTS* on page 23).

### CHECK CLUTCH SPRING ADJUSTMENT

Make sure the attachment clutch and traction drive clutch are adjusted to the range specified in *Attachment Clutch/Brake Adjustment* on page 26.

### CLEAN ENGINE

Refer to Engine Manual for detailed instructions.

## CHECK ENGINE OIL

The engine crankcase oil should be checked every 5 hours of operation. Oil level **MUST** be maintained in safe operating range on dipstick at all times or engine damage will result (See Engine Manual).

Park unit on a level surface. Refer to Engine Manual for detailed instructions.

## CHANGE ENGINE OIL

Change oil after first 2 hours of operation, thereafter change oil every 25 hours (more often if required). Refer to Engine Manual for detailed instructions.

Run engine just prior to changing oil. Warm oil will flow more freely and carry away more contamination. Remove the oil drain plug from the rear of the unit and tip the unit back to help drain all the oil.

## CHECK TIRE PRESSURE

Keep tires at pressure listed on the tire sidewall.

## CHECK AUGER GEARCASE

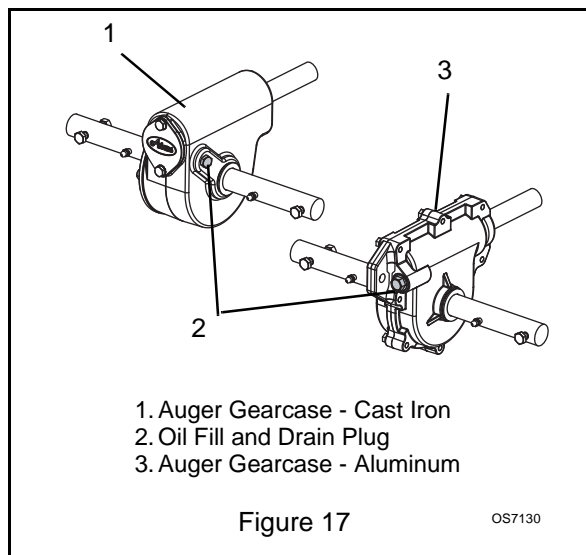
**IMPORTANT:** Proper oil level must be maintained.

Gear cases are filled to the correct level at the factory. Unless there is evidence of leakage, no additional lubricant should be required. Check oil level each season or every 25 hours of operation.

To ensure adequate lubricant level:

1. Remove filler plug (Figure 17). Lubricant must be at least up to bottom of lubricant filler hole with unit resting on a level-surface.
2. Add lubricant if required. Allow oil to drain to level of plug and replace plug.

**IMPORTANT:** Use only Ariens special gear lubricant L-2 (Part Number 00008000). Gearcase filler plug may require an application of Loc-Tite® 565 thread sealant with repeated servicing.



## GENERAL LUBRICATION

**IMPORTANT:** Wipe each fitting clean before and after lubrication. Do not wipe gearcase filler plug; wiping the gearcase filler plug may remove thread sealant and cause leaks.

**IMPORTANT:** DO NOT allow grease or oil to get on friction disc, friction plate or belts.

**NOTE:** Apply Stens Mix Hi-Temp Grease or equivalent to the lubrication fittings. See *SERVICE PARTS* on page 31.

Sno-Thro should be lubricated (Figure 18) at beginning of season or every 25 operating hours.

## Auger Shaft

**NOTE:** To grease auger shaft, remove shear bolt nuts, and shear bolts. Turn auger on shaft while applying grease at zerk fittings. Replace shear bolts per instructions in *SERVICE AND ADJUSTMENTS* on page 23.

## CLEAN BATTERY (926500, 501)



**WARNING:** AVOID INJURY. Read and understand the entire *Safety* section before proceeding.

**IMPORTANT:** Battery is maintenance-free. Do not tamper with or attempt to open battery. See *SERVICE AND ADJUSTMENTS* on page 23 for charging procedures.

## Terminals

Keep battery and its terminals clean.

**IMPORTANT:** Remove battery from unit before cleaning.

Remove corrosion from battery terminals and cable connections with a wire brush, then wash with a weak baking soda solution.

After cleaning, apply a thin coat of grease or petroleum jelly to terminals and cable ends to retard corrosion.

## ENGINE

### Cooling

The engine is air cooled. Air must circulate freely around engine from air intake to cooling fins on cylinder head and block, to prevent overheating.

Each year (more often if conditions require) remove cooling shrouds and clean cooling fins. Clean external surfaces of engine of dust, dirt, and oil deposits which can contribute to improper cooling. See Engine Manual.

**IMPORTANT:** DO NOT operate engine with cooling shrouds removed. Engine overheating and damage will result.

Refer to Engine Manual for detailed instructions.

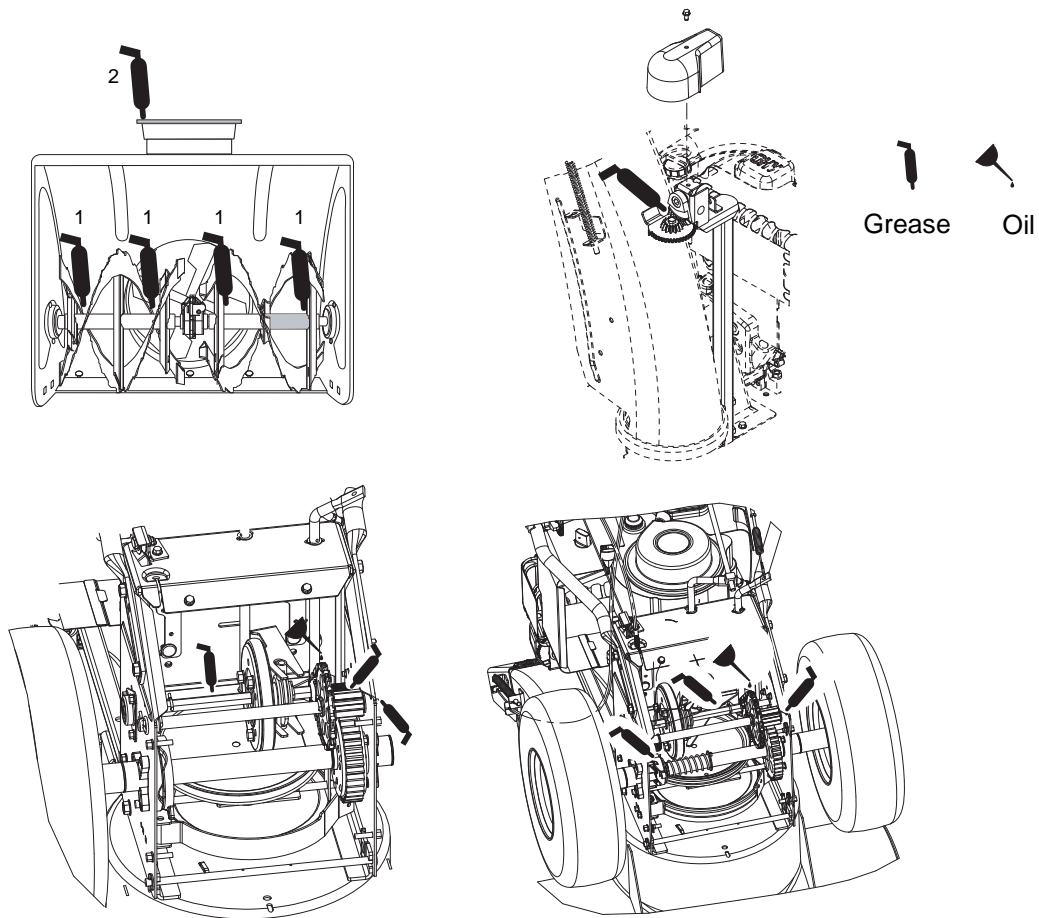


Figure 18

# SERVICE AND ADJUSTMENTS



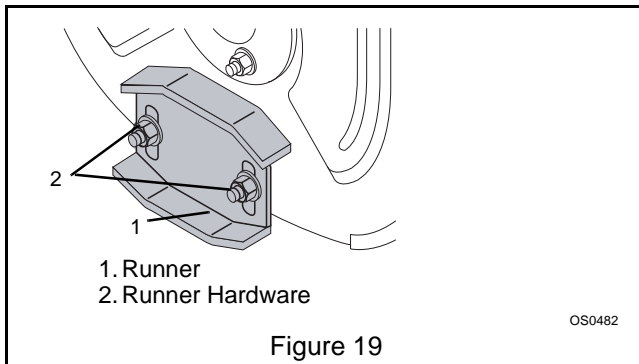
**WARNING: AVOID INJURY.** Read and understand the entire *Safety* section before proceeding.

## RUNNERS

Runners should be adjusted as conditions require (Figure 19).

1. Position unit on a hard, flat, smooth level surface.
2. Adjust runners by inserting a spacer of desired thickness under center of scraper blade, loosen runner hardware, slide runners to flat surface. Allow 1/8 in. (3 mm) between scraper blade and hard smooth surfaces. Allow 1-1/4 in. (30 mm) between scraper blade and uneven or gravel surfaces. Retighten hardware.

**NOTE:** Keep housing level by adjusting runners equally.



## SCRAPER BLADE

**IMPORTANT:** Damage to auger/impeller housing will result if blade wears down too far.

Scraper blade is adjustable to compensate for wear.

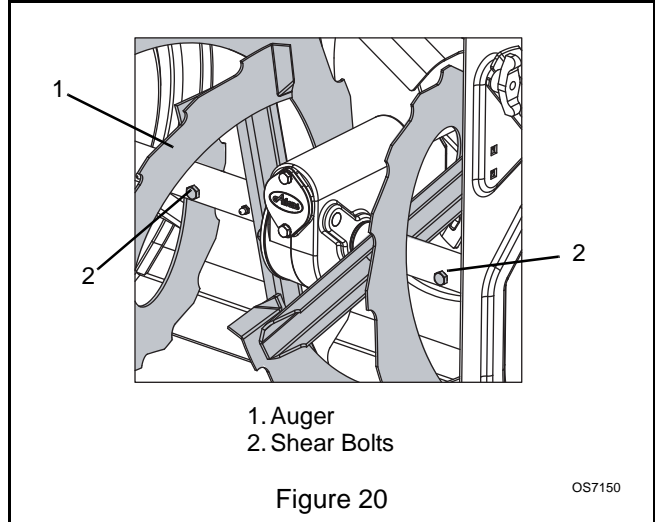
To adjust scraper blade:

1. Tip unit back onto handlebar, support housing and loosen nuts retaining blade.
2. Adjust runners to fully raised position (housing closest to ground).
3. Reposition scraper blade flush with runners and tighten lock nuts.

## SHEAR BOLTS

**IMPORTANT:** Use only Ariens shear bolts for replacement. Use of any other type of shear bolt may result in severe damage to unit.

Occasionally a foreign object may enter the auger/impeller housing and jam the auger, breaking shear bolts (Figure 20) which secure the auger to the shaft. This allows auger to turn freely on the shaft preventing damage to gear drive.



**For Replacement:**

1. Align shear bolt holes in auger with shear bolt holes in the shaft.
2. Drive shear bolt through hole (if shear bolt was broken this will drive remaining part from shaft).
3. Secure shear bolt with nut.

## HANDLEBAR HEIGHT



**CAUTION: AVOID INJURY.** Adjust the attachment clutch, speed selector and traction clutch after changing the handlebar height. See *Attachment Clutch/Brake Adjustment* on page 26, *Speed Selector Adjustment* on page 26 and *Traction Drive Clutch Adjustment* on page 28.

To raise or lower the handlebar:

1. Remove hair pin holding chute rod to control assembly.
2. Place unit in service position (see *Service Position* on page 20).
3. Remove bottom cover.
4. Remove top mounting bolts from the handlebars and adjust the handlebar up or down as needed until the handlebar mounting holes align with holes in unit frame.
5. Secure handlebar to frame with hardware removed in step 4 using the different hardware locations shown in Figure 21.

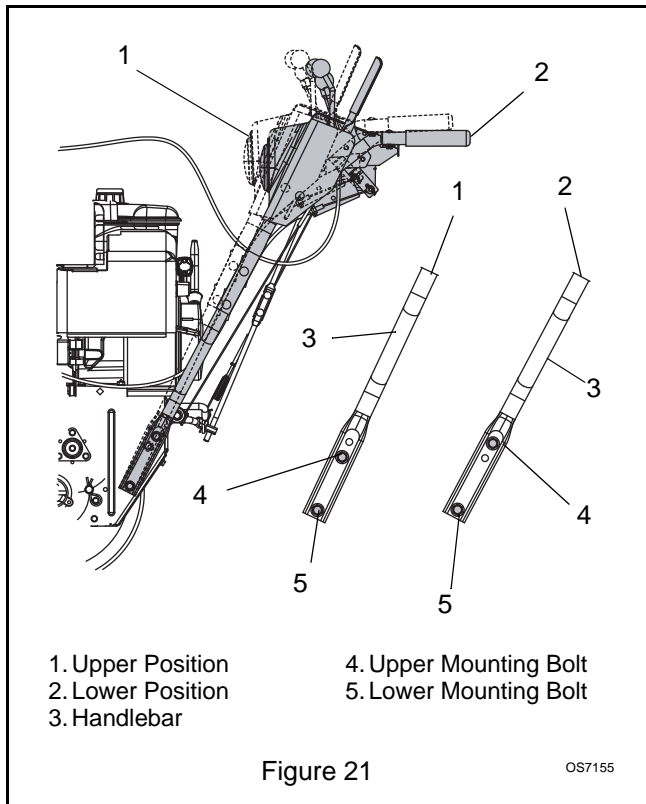


Figure 21

OS7155

**NOTE:** Insert the hair pin with the loop end on the left side of the chute rod so the control lever will cover its full range of travel.

- Align correct chute rod holes in chute control assembly as shown in Figure 22, and then secure chute rod in position with hair pin remove in step 1.

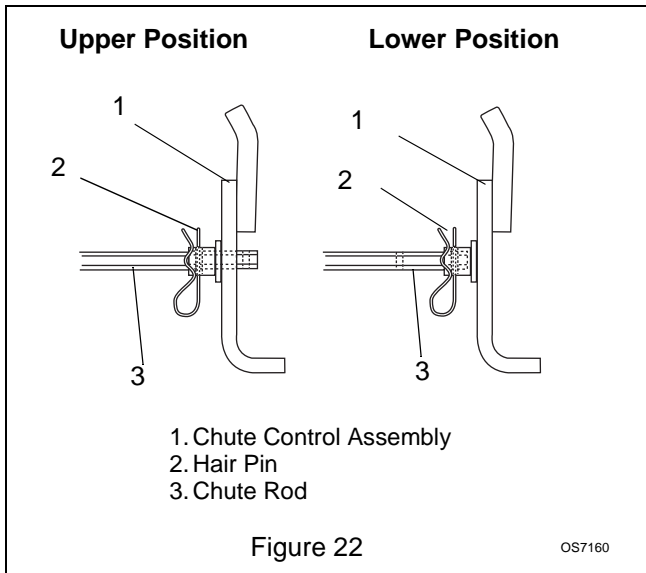


Figure 22

OS7160

- Check and adjust attachment clutch, speed selector and traction clutch. See *Attachment Clutch/Brake Adjustment* on page 26, *Speed Selector Adjustment* on page 26 and *Traction Drive Clutch Adjustment* on page 28.
- Re-install bottom cover.

## REMOTE DIFFERENTIAL (926004, 005, 006, 300, 301, 500, 501)

If remote differential does not lock:

- Place unit in service position (see *Service Position* on page 20).
- Remove bottom cover.
- Loosen jam nuts on cable. Make sure the bottom jam nut is loosened enough to remove slack from cable.
- Pull the cable adjuster to remove slack between the cable adjuster and the extension spring and hold the cable adjuster in position while tightening the top jam nut against the unit frame. Do not extend the spring or engage the mechanism.
- Tighten the bottom jam nut.
- Re-install bottom cover.
- Check function of remote differential. If remote differential does not function properly, take unit to Dealer for repairs.

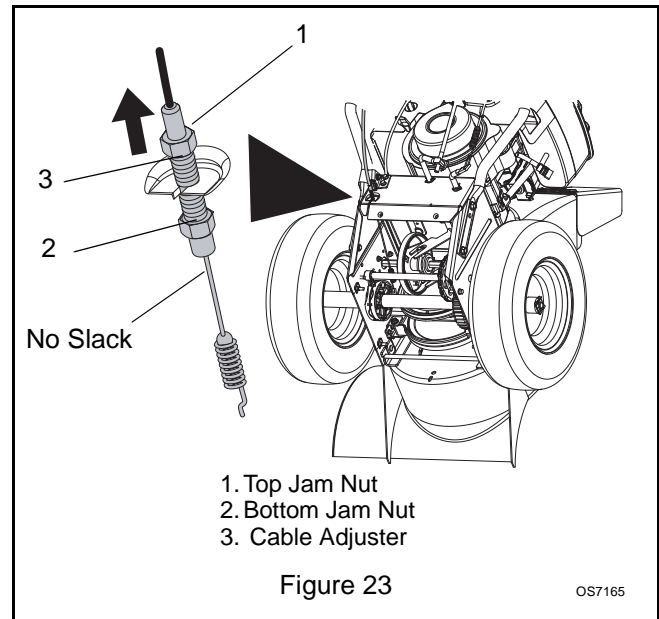


Figure 23

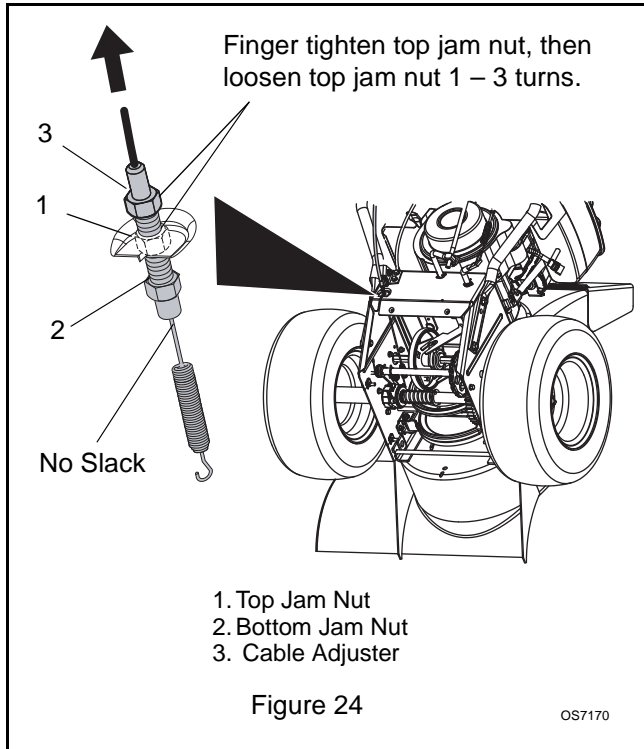
OS7165

## REMOTE WHEEL LOCK (926002, 003, 102, 103, 302, 303, 304)

If remote wheel lock does not lock or unlock:

- Place unit in service position (see *Service Position* on page 20).
- Remove bottom cover.
- Loosen jam nuts on cable. Make sure the bottom jam nut is loosened enough to remove slack from cable.
- Pull the cable adjuster to remove slack between the cable adjuster and the extension spring and hold the cable adjuster in position while finger tightening the top jam nut against the unit frame. Do not extend the spring or engage the mechanism.

5. Loosen the top jam nut 1 – 3 turns.
6. Tighten the bottom jam nut.
7. Re-install bottom cover.
8. Check function of remote wheel lock. If wheel lock does not function properly, take unit to Dealer for repairs.



## DEFLECTOR REMOTE

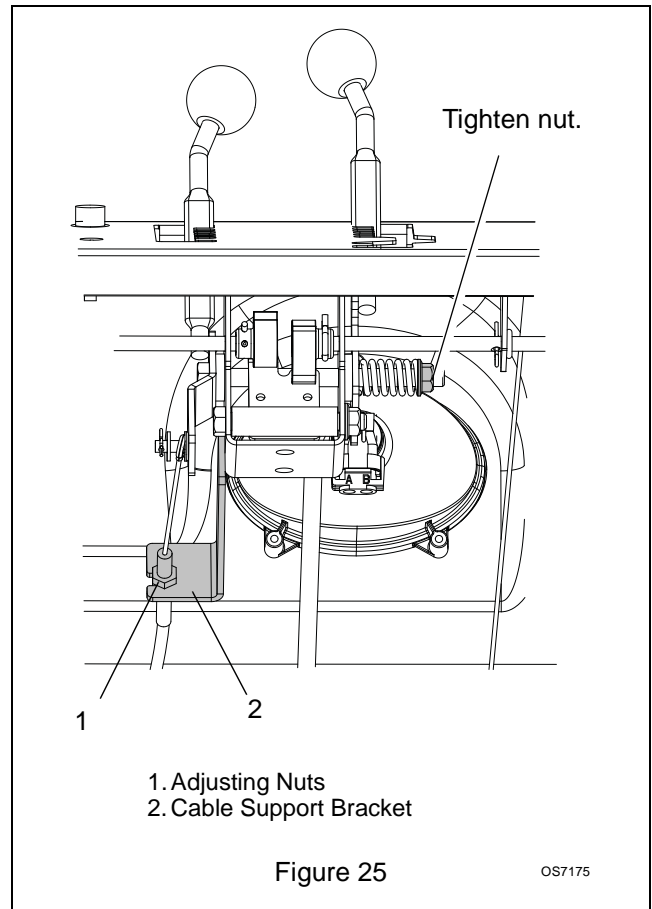
Deflector must stay in selected position while throwing snow.

If deflector does not stay in set position:

1. Tighten nut beneath control panel to increase pressure on deflector control (Figure 25).

If deflector does not follow full range of travel:

1. Push deflector remote all the way forward.
2. Loosen adjusting nuts on cable support bracket underneath the dash panel (Figure 25).
3. To adjust the deflector lower:  
Slide cable down. Tighten bottom nut.
4. To adjust deflector higher:  
Slide cable up. Tighten top nut.
5. Check travel and repeat adjustment as necessary.

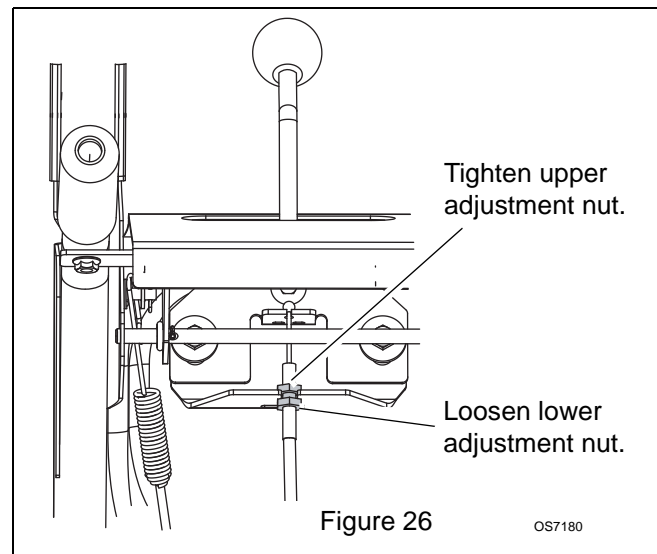


## DISCHARGE CHUTE

If chute does not stay in position while throwing snow or if chute does not rotate freely, adjust the cable under the control panel so the chute lock fingers engage or disengage the locking gear.

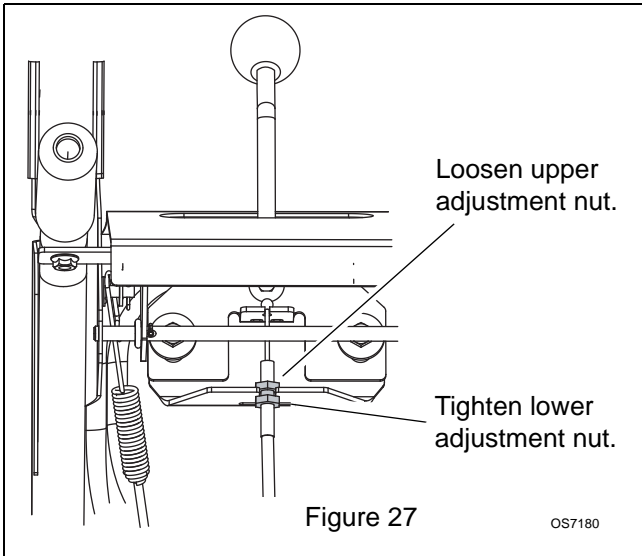
If chute does not stay in position:

Loosen the cable by loosening the lower adjustment nut, and then tightening the upper adjustment nut against the bracket (Figure 26).



If chute does not rotate freely:

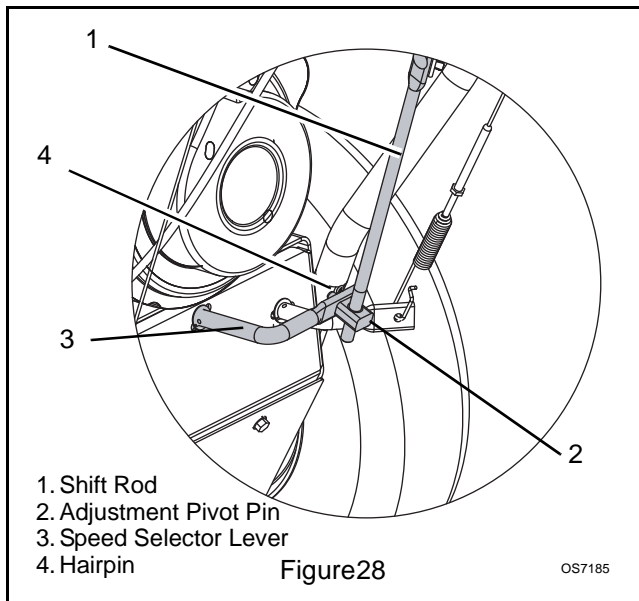
Tighten the cable by loosening the upper adjustment nut, and then tightening the lower adjustment nut against the bracket (Figure 27).



### SPEED SELECTOR ADJUSTMENT

To adjust (Figure 28):

1. Place unit into service position.
2. Disconnect adjustment pivot pin from speed selector lever.
3. Place the speed selector in the fastest forward speed position.
4. Turn the speed selector lever straight down towards the ground as far as it will go.
5. Thread the adjustment pivot pin along the shift rod until it aligns with the mating hole on the speed selector lever. Insert the pivot pin into hole.
6. Secure adjustment pivot pin with hairpin.
7. Make sure the speed selector shifts into each speed position.



### ATTACHMENT CLUTCH/BRAKE ADJUSTMENT

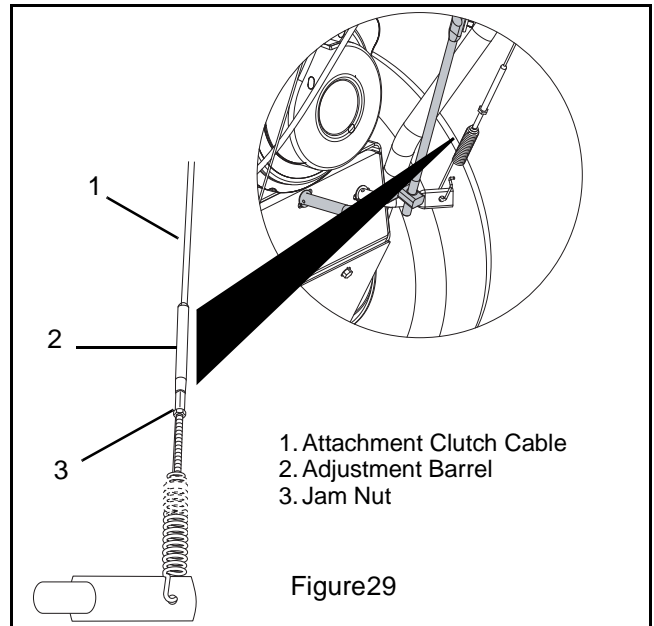
(Figures 31, 32 and 33)



**IMPORTANT: IMPROPER ADJUSTMENT** could result in unexpected movement of auger and impeller causing death or serious injury. Auger / impeller must stop within 5 seconds when Attachment Clutch/Impeller Brake lever is released.

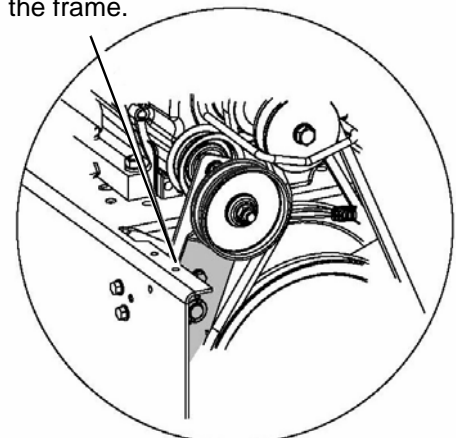
### Adjust Attachment Cable Tension

1. Remove the belt cover.
2. Loosen jam nut on cable adjustment barrel, and then turn the adjustment barrel up/down to lengthen/shorten cable and remove all slack.



3. Check the attachment idler arm with the attachment clutch disengaged. The idler arm should almost touch the frame.

With attachment clutch disengaged, check attachment clutch idler position here. The attachment idler arm should almost touch or lightly touch the frame.



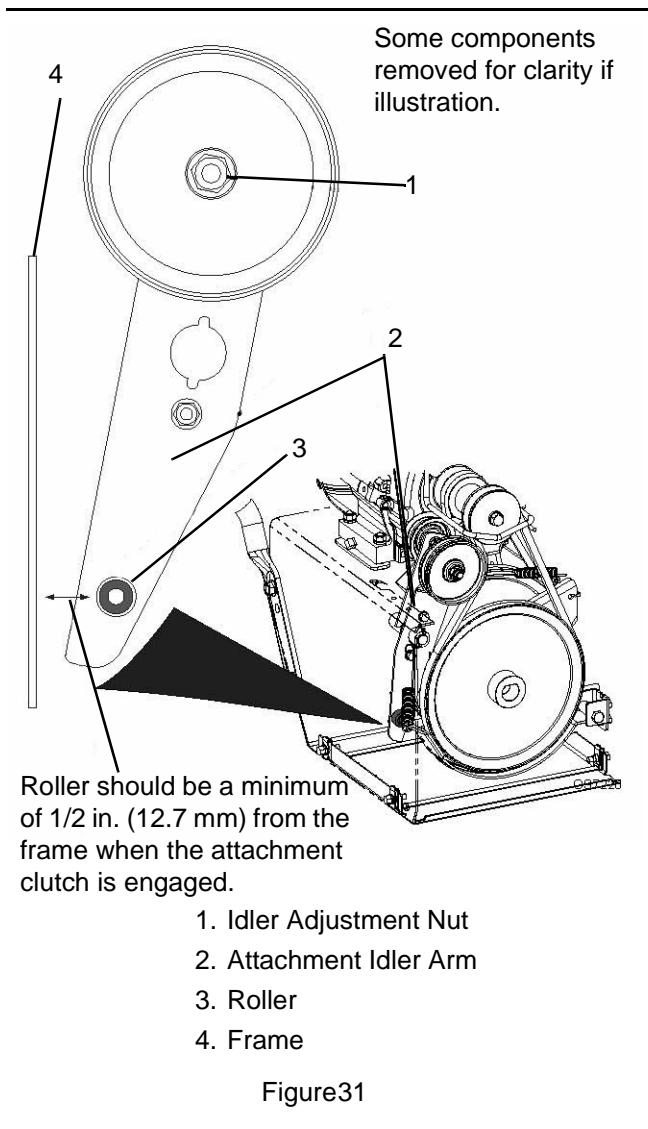


4. Tighten jam nut on cable adjustment barrel.

### Check Attachment Idler Arm Roller Clearance

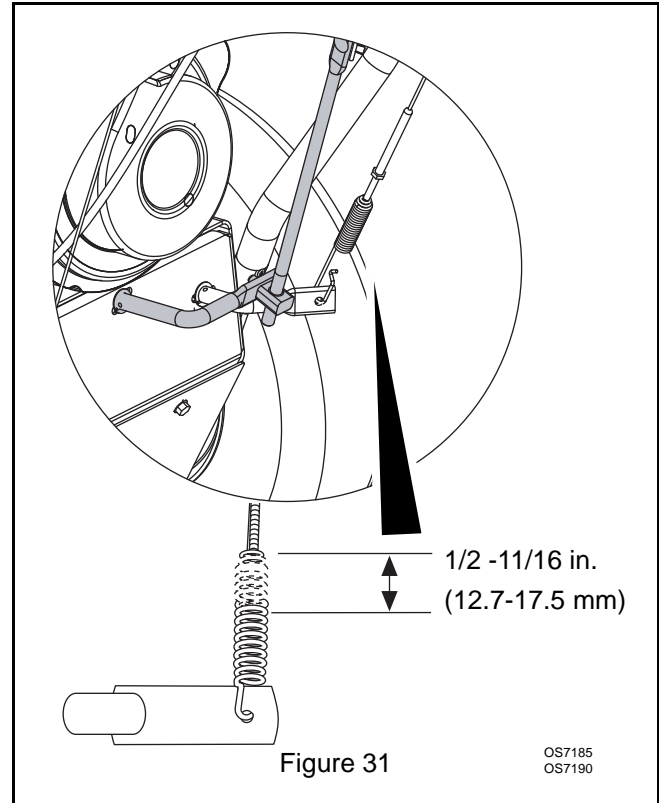
**NOTE:** It will be difficult to check the measurement inside the frame. Use a 1/2 in. (12.7 mm) minimum spacer as a gauge to check the clearance between the roller and the frame.

1. With clutch lever engaged, check clearance between the frame and plastic roller on the lower end of attachment idler arm. See...
- If roller is 1/2 in. (12.7 mm) or more from the frame, check the attachment cable spring extension, step 4.
  - If roller is less than 1/2 in. (12.7 mm) from frame, loosen/remove idler adjustment nut and move idler closer to belt. Tighten adjustment nut and recheck the roller clearance.



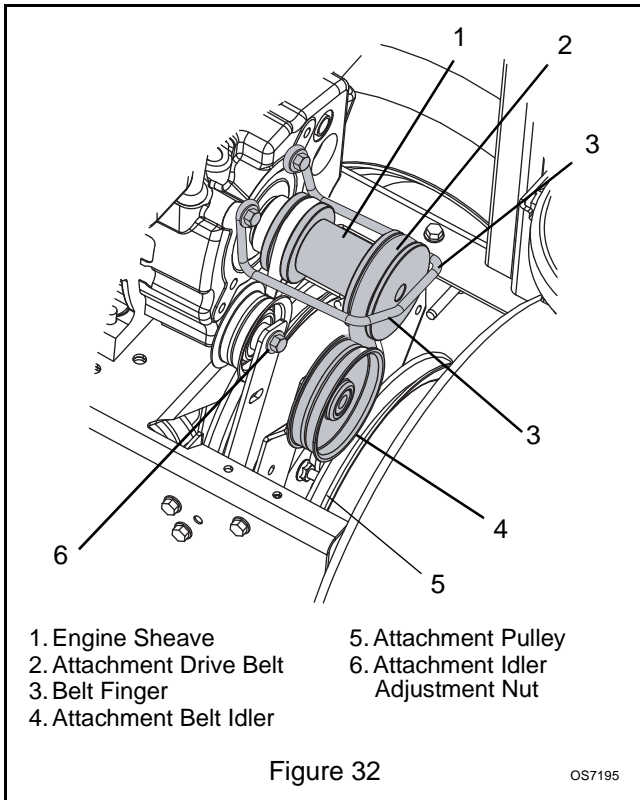
### Adjust the Attachment Clutch Cable Spring Extension

1. With the attachment clutch lever disengaged, measure the length of the clutch cable spring.
  2. While holding the attachment clutch lever against the handlebar, measure the length of the spring again. The spring should be 1/2-11/16 in. (12.7-17.5 mm) longer when the lever is engaged.
- If spring extension is within specified range, go to *Check Attachment Brake* on page 28.
  - If spring extension is outside of specified range, go to step 3.



3. Reposition the idler on the attachment belt idler arm to adjust the spring extension, if necessary. (Figure 32)
  - a. Remove belt cover and loosen idler adjustment nut.
  - b. To increase spring extension, move idler closer to the engine sheave.
  - c. To decrease spring extension, move idler farther from the engine sheave.
  - d. Tighten the idler adjustment nut.

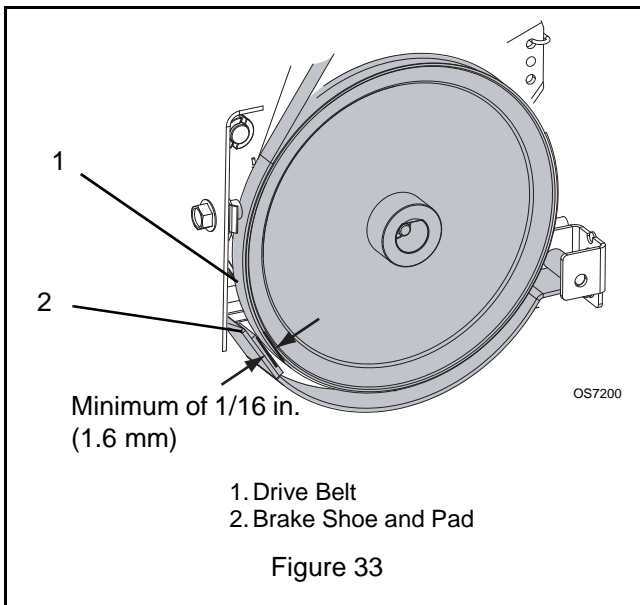
**NOTE:** Moving the idler approximately 1/8 in. (3 mm) will change the spring extension approximately 1/8 in. (3 mm).



### Check Attachment Brake

When the clutch lever is disengaged, the brake must contact attachment belt.

When the clutch lever is engaged, the brake must be more than 1/16 in. (1.6 mm) away from the belt (Figure 33).



1. Repeat steps 1 – until spring extension and brake clearance are within specified range.

2. Check belt finger clearance (Figure 36).

With clutch lever engaged, belt finger on the side opposite the belt idler should be less than 1/8 in. (3 mm) from belt, but not touching the belt. Adjust belt finger as necessary.

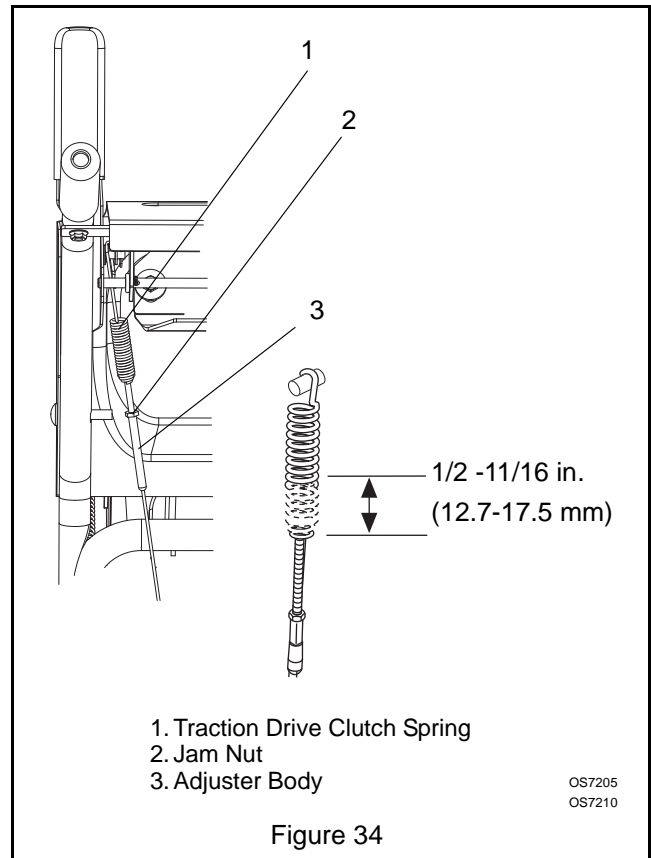
3. Replace bottom cover.
4. Replace belt cover.

### TRACTION DRIVE CLUTCH ADJUSTMENT

If drive slips, adjust traction clutch to compensate for friction disc wear.

To adjust traction clutch:

1. Place speed selector in fastest forward speed.
2. Place unit in service position.
3. Measure the length of the traction drive clutch spring at the top of the traction cable. See Figure 34.
4. Engage and hold the traction drive clutch lever and measure the spring again. The spring should be 1/2 - 11/16 in. (12.7-17.5 mm) longer when the lever is engaged.



5. Adjust spring extension.
  - a. With the traction drive clutch lever disengaged, loosen the jam nut on the cable adjuster.
  - b. Turn the adjuster body up the cable for more spring extension.
  - c. Turn the adjuster body down the cable for less spring extension.
  - d. Finger tighten the jam nut, and then hold the adjuster body with pliers and tighten the jam nut with wrench.
6. Measure the extension of the traction drive clutch spring.
7. Repeat step 5 until traction drive clutch spring lengthens 1/2 -11/16 in. (12.7-17.5 mm) when the traction drive clutch lever is engaged.
8. With the clutch disengaged, check that there is more than 1/32 in. (0.8 mm) clearance between friction disc and drive plate assembly.

**IMPORTANT:** If spring length cannot be adjusted within specified range, see your Dealer for repairs.

### ATTACHMENT DRIVE BELT REPLACEMENT

#### Remove old attachment drive belt:

1. Shut off engine and allow to cool completely.
2. Remove belt cover (Figure 35).
3. Remove hair pin under the control panel connecting the discharge chute rod from the chute rotation lever and slide the discharge chute rod forward.

**IMPORTANT:** Disconnect chute lock cable and deflector cable, if equipped.

4. Remove belt finger (Figure 36).

**IMPORTANT:** Use care when rotating the belt fingers. DO NOT bend belt fingers out of shape.



**WARNING:** Turning the engine sheave may cause **ACCIDENTAL ENGINE START UP** that can cause death or serious injury. **ALWAYS** stop engine, remove key, wait for moving parts to stop and **remove wire from spark plug.**

5. Remove attachment drive belt from engine sheave (it may be necessary to turn engine sheave using recoil starter handle).

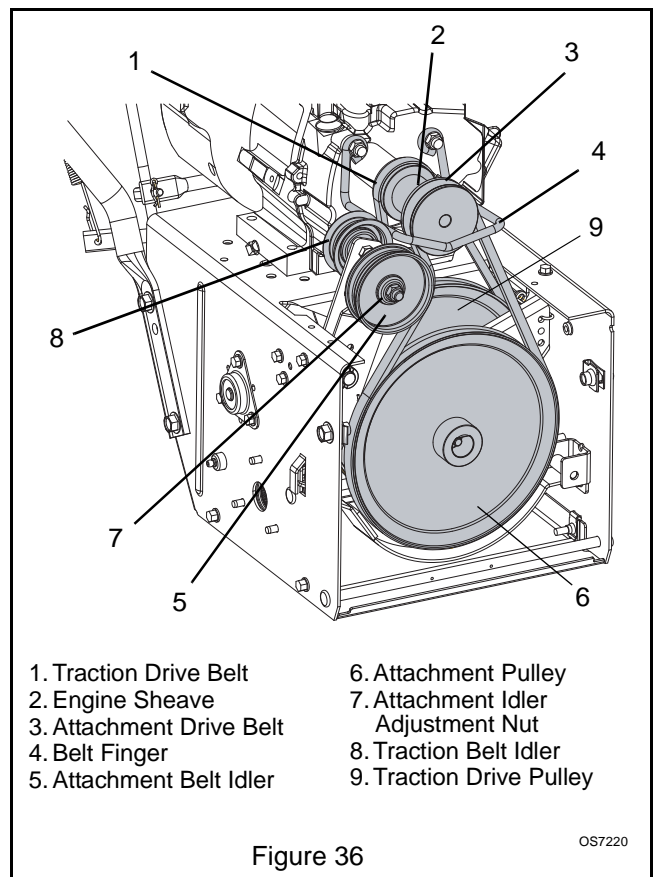
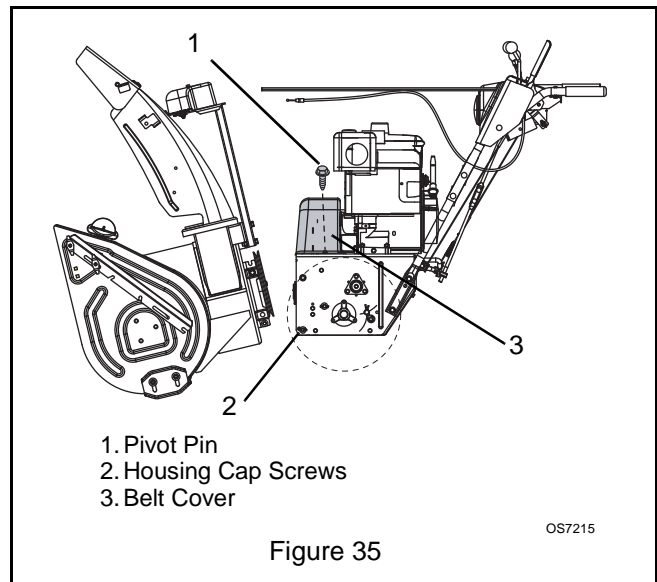
**IMPORTANT:** To avoid bending bottom cover when tipping unit apart, support handlebars firmly or tip unit up on housing and remove bottom cover by removing six cap screws before separating unit.

6. Support Sno-Thro frame and housing.



**CAUTION:** Always support Sno-Thro frame and blower housing when loosening the cap screws holding them together. Never loosen cap screws while unit is in service position.

7. Remove hex bolts securing housing to frame. Tip housing and frame apart on pivot pins (Figure 35).
8. Remove attachment drive belt from attachment pulley (hold brake away from belt).



### Install new attachment drive belt:

1. Place new attachment belt onto attachment pulley.

**NOTE:** Holding down the attachment clutch lever will make it easier to reconnect the housing and frame.

2. Tip housing and frame back together and secure with hex bolts.
3. Place belt onto engine sheave.
4. Reposition and secure belt fingers.

**IMPORTANT:** With clutch lever engaged, belt finger on the side opposite the belt idler should be less than 1/8 in. (3 mm) from belt, but not touching the belt.

Adjust belt finger as necessary.

5. Check adjustment. See *Attachment Clutch/Brake Adjustment* on page 26.



**WARNING:** AUGER / IMPELLER MUST STOP within 5 seconds when attachment clutch lever is released or unit damage or serious injury may result.

6. Reconnect chute crank and secure with spring clip. Reconnect chute lock cable and deflector cable.
7. Replace belt cover.

### TRACTION DRIVE BELT REPLACEMENT

**NOTE:** Replacement will be easier with housing and frame tipped apart and bottom cover off.

1. Remove attachment drive belt (see *Attachment Clutch/Brake Adjustment* on page 26).
2. To gain belt clearance, back out the stop bolt from the frame until the drive plate assembly can swing past it (Figure 37).
3. Pull idler away from traction drive belt and remove belt from idler pulley, engine sheave and driven pulley (it may be necessary to turn engine pulley using recoil handle).
4. Install new traction drive belt onto attachment pulley and engine sheaves.
5. Pull the drive plate assembly toward the friction disc and tighten the stop bolt.

**NOTE:** Make sure the drive plate assembly return spring remains connected to the frame.

6. Replace attachment drive belt (see *Attachment Drive Belt Replacement* on page 29).

### FRICITION DISC REPLACEMENT

1. Place unit into service position.
2. Remove bottom cover by removing six hex bolts.
3. With axle locked, hold one wheel so friction disc will not rotate and remove three cap screws holding friction disc to carrier.
4. Remove both wheels.
5. Remove right and left bearing flanges from frame.
6. Slide hex shaft to the left enough to remove pinion sprocket from hex shaft.
7. Slide hex shaft to the right enough to remove friction disc.
8. Slide new friction disc onto hex shaft.
9. Install pinion sprocket and chain on hex shaft, then replace bearing flanges.
10. Hold wheel so friction disc will not rotate and secure new friction disc to carrier with three hex screws removed in step 3.
11. Replace wheels.
12. Replace bottom cover.
13. Adjust traction drive clutch (see *Traction Drive Clutch Adjustment* on page 28).

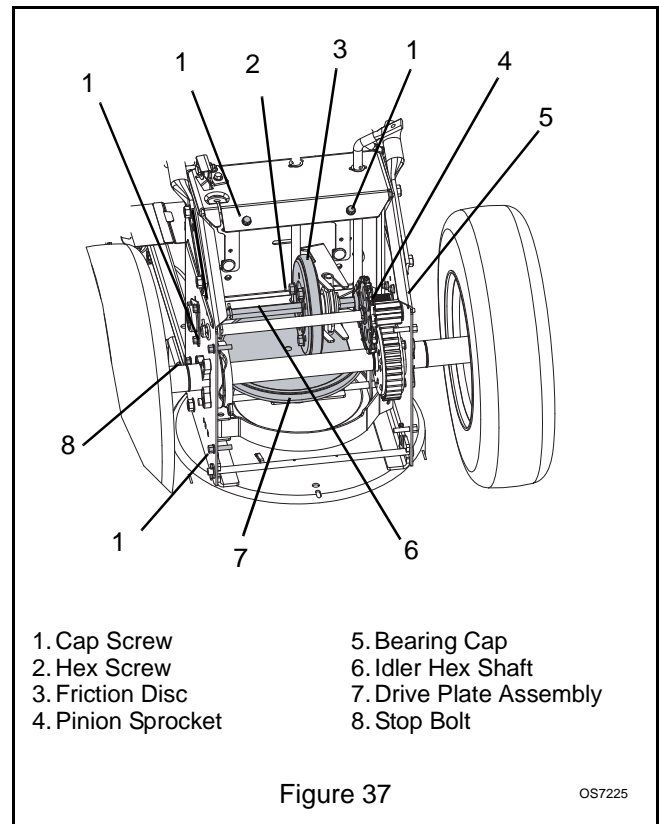


Figure 37

OS7225

## BATTERY (926500, 501)

### Charging

1. Place unit on a level surface and shut off engine.
2. Disconnect negative (-) cable first, then positive (+) cable.
3. Loosen wing nut and remove battery. Place battery on bench or other well ventilated place.
4. Connect positive (+) lead of charger to positive (+) terminal, and negative (-) lead to negative (-) terminal.
5. Charge the battery at two and a half amps for ten hours.
6. Reinstall battery into unit and connect positive (+) cable first, then negative (-) cable.

### Replacing

Use U1R or U1L; 240 CCA minimum @ 0°F type batteries.

## STORAGE



**WARNING:** AVOID INJURY. Read and understand the entire *Safety* section before proceeding.

### SHORT TERM

**IMPORTANT:** NEVER spray unit with high pressure water or store unit outdoors.

Run with attachment clutch engaged a few minutes after each use to free unit of any loose or melting snow.

Close fuel shut-off valve.

Inspect unit for visible signs of wear, breakage or damage.

Keep all nuts, bolts and screws properly tightened and know unit is in safe working condition.

Store unit in a cool, dry protected area.

### LONG TERM

Clean unit thoroughly with mild soap and low pressure water and lubricate (see *Maintenance Schedule* on page 20). Touch up all scratched painted surfaces.

Remove weight from wheels by putting blocks under frame or axle.

When storing unit for extended periods of time, remove all fuel from tank and carburetor (run dry). Refer to Engine Manual.

## SERVICE PARTS

Order the following parts through your Dealer:

Part No.	Description
00036800	Hi-Temp Grease (3, 3 oz. cartridges)
21533500	Spark Plug
07200020	Impeller Belt (926001, 004, 005, 101, 102, 300, 301, 304)
07200021	Impeller Belt (926003, 006, 103, 302, 303, 500, 501)
07200110	Traction Belt (001 SN 011501 and up, 002 SN 005656 and up, 013 SN 000101 and up, 014 SN 000101 and up, 015 SN 000101 and up, 300 SN 000101 and up, 301 SN 002205 and up, 304 SN 001261 and up, 305 SN 000761 and up, 502 SN 000101 and up)
07200101	Traction Belt (001 SN 01000 -011500, 002 SN 005001-005655, 301 SN 002001-002204, 304 SN 001001-001260, 305 SN 000101-000760)
07200111	Traction Belt (003 SN 001556 and up, 302 SN 001211 and up, 306 SN 000101 and up, 307 SN 000331 and up, 308 SN 000181 and up, 500 SN 001566 and up, 501 SN 000101 and up)
07200102	Traction Belt (003 SN 001501-001555, 302 SN 001001-001210, 307 SN 000101-000330, 308 SN 000101-000180, 500 SN 001501-001565)
00170800	Friction Disc
51001500	Shear Bolt Kit

## ACCESSORIES

See your authorized Ariens dealer to add the additional accessories available to your Sno-Thro.

Part No.	Description
72403600	120 Volt Starter Kit
72402200	240 Volt Starter Kit*
72406500	Front Weight Kit

\*Available in CE countries.

# ENGINE

## ENGINE TROUBLESHOOTING

The following troubleshooting chart is to be used to isolate engine problems and give possible causes and corrective action responses.

The troubleshooting key is generic and can be used for several types of engines. Use only those possible causes and corrective actions that apply to the unit.

TROUBLE	POSSIBLE CAUSES (Refer to Key Below)	CORRECTIVE ACTION
Black Exhaust	1, 20, 22, 25, 29, 31, 32, 33	repair or replace
Blue/White Exhaust	4, 20, 25, 31, 33, 34	repair or replace
Difficult Starting	1, 5, 7, 8, 10, 20, 21, 22, 29, 31, 32, 33	repair or replace
Erratic Running	1, 7, 8, 10, 20, 21, 23, 26, 29, 33, 59, 62	repair or replace
Excessive Fuel Consumption	1, 20, 22, 23, 25, 39, 31, 32, 33	repair or replace
High Oil Pressure	4, 41	repair or replace
Knocking	22, 26, 29, 31, 33, 36, 46, 59	repair or replace
Loss of Power or System	1, 8, 10, 20, 21, 22, 23, 25, 26, 31, 32, 33	repair or replace
Low Cranking Power	2, 3, 4	repair or replace
Low Oil Pressure	4, 36, 37, 39	repair or replace
Misfiring	10, 20, 25, 26, 28, 29, 32	repair or replace
Overheating	1, 19, 25,	repair or replace
Poor Compression	25, 28, 29, 31, 32, 33, 34, 59,	repair or replace
Starts and Stops	1, 6, 10, 62	repair or replace see electrical systems see engine service manual
Vibration	20, 23, 25, 26, 29, 33, 49	repair or replace
Will Not Crank	2, 11	charge battery or replace
Will Not Start	1, 10, 62	repair or replace see electrical systems see engine service manual

### TROUBLESHOOTING KEY

1	Restriction in air cleaner	22	Incorrect grade of fuel	43	Faulty suction pipe
2	Bad electrical connection	23	Sticking throttle/restricted movement	44	Choked oil filter
3	Faulty starter motor	24	Exhaust pipe restriction	45	Bad solenoid switch
4	Incorrect grade of lubricating oil	25	Leaking cylinder head gasket	46	Incorrect piston height
5	Low cranking speed	26	Overheating	47	Damaged fan
6	Fuel tank empty	27	Cold running	48	Faulty engine mounting
7	Controls not in correct operation position	28	Incorrect tappet adjustment	49	Incorrectly aligned flywheel and/or flywheel housing
8	Blocked fuel feed line	29	Sticking valves	50	Faulty thermostat
9	Faulty fuel lift pump	30	Incorrect high pressure pipes	51	Restriction in water jacket
10	Choked fuel filter	31	Worn cylinder bores	52	Loose fan belt
11	Battery capacity low	32	Pitted valves and seats	53	Choked radiator
12	Air in fuel system	33	Broken, worn or sticking piston ring(s)	54	Faulty water pump
13	Faulty fuel injection pump	34	Worn valve stems and guides	55	Choked breather pipe
14	Faulty fuel injectors or incorrect type	35	Restriction in air cleaner	56	Damaged valve stem oil deflector (if fitted)
15	Incorrect use of cold start equipment	36	Worn or damaged bearings	57	Coolant level too low
16	Faulty cold start equipment	37	Insufficient oil in sump	58	Blocked sump strainer
17	Broken fuel injection pump drive	38	Bad/defective oil temperature switch	59	Broken valve spring
18	Incorrect fuel pump timing	39	Oil pump worn	60	Exhaust or vacuum pipe leak
19	Incorrect valve timing	40	Pressure relief valve sticking open	61	Bad or defective water temperature switch
20	Poor compression	41	Pressure relief valve sticking closed	62	Bad spark plug(s)
21	Blocked fuel tank vent	42	Broken relief valve spring		

See your engine manual for information on the operation and maintenance of your engine. Follow those instructions for oil and filter changes.

## **REMOVING THE ENGINE**

1. Drain gasoline.
11. Remove both belts from the engine pulleys. Remove pulleys.
12. If the unit has a bracket at the top of the engine for chute/deflector controls, unbolt it.
13. If the unit is equipped with electric starting, remove the starter. On models with 12V starter (926500, 501) disconnect negative cable from battery, remove starter cable and ground cable from starter.
14. Remove the four mounting bolts from the engine base.

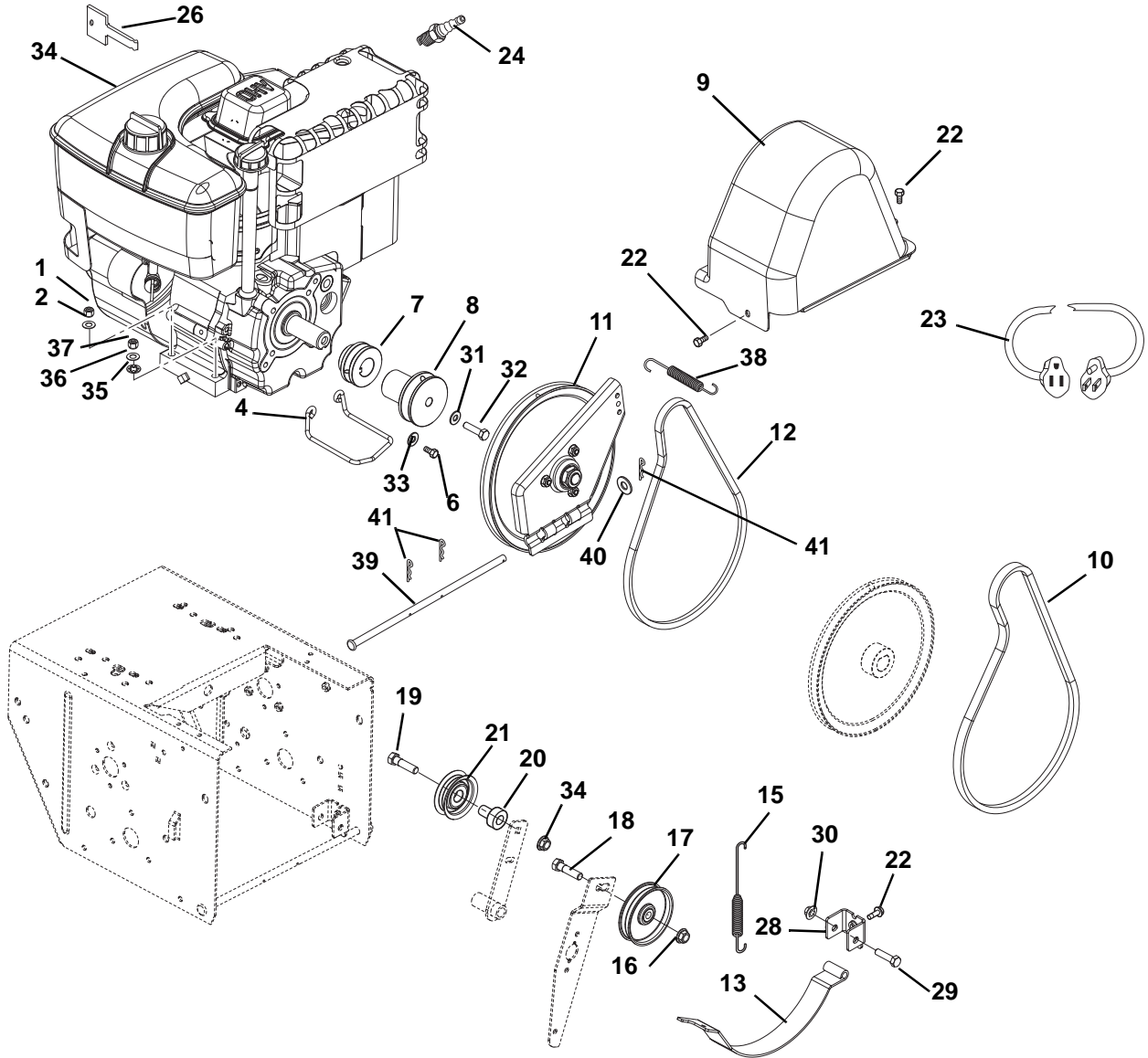
## **INSTALLING THE ENGINE**

1. Position the engine in the frame.
15. Insert mounting bolts and tighten.
16. If equipped with electric starting, install the starter. On models with 12V starter (926500, 501) connect the positive lead from the solenoid to the starter.
17. Reattach any brackets for chute/deflector controls.
18. Install pulleys on engine shaft. Do not tighten set screws.
19. Install belts. Adjust the engine pulleys to align with attachment and drive pulleys. Tighten set screws.



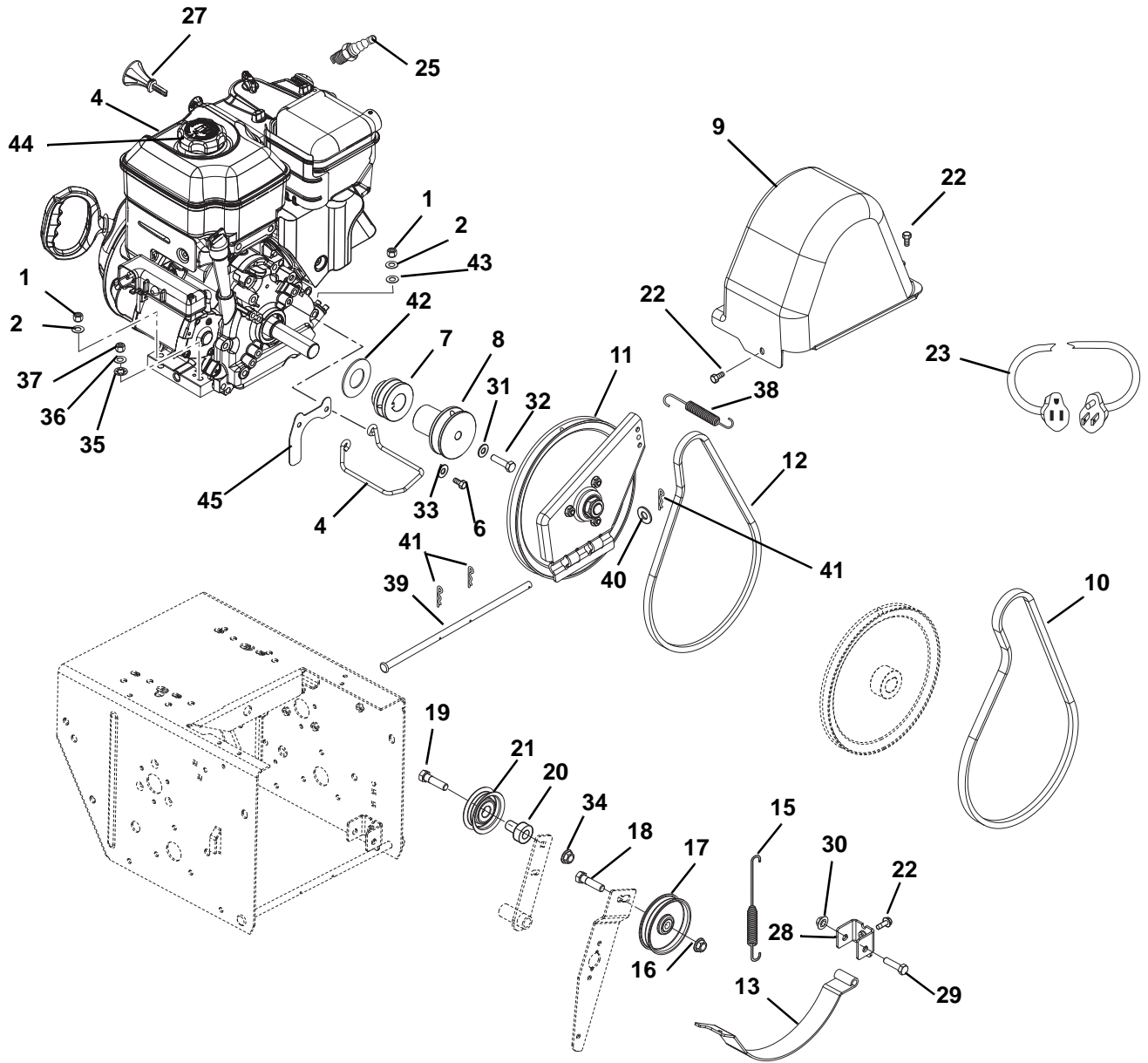
# ENGINE AND BELT DRIVE

Model 926001, 002, 003, 004, 005, 006, 101, 102, 103, 300, 301, 302, 303, 304, 500, 501, 502, 504



PS1082

Model 926007, 008, 009, 010, 011, 012



PS1082

# ENGINE AND BELT DRIVE

Model All

Item	Part No.	Qty.	Description
1	06529200	3	Nut, Hex .31-18 (500, 501)
	06529200	4	Nut, Hex .31-18
2	06307400	3	Washer, Lock .312 x .097 (500, 501)
	06307400	4	Washer, Lock .312 x .097
3	08200038	1	Engine, 9.25HP Tecumseh LH318SA - 156582H - 120 Volt (001, 101)
	08200039	1	Engine, 9.25HP Tecumseh LH318SA - 156581H - 240 Volt (504)
	08200040	1	Engine, 9.25HP OHV Tecumseh OH318SA - 221825B - 120 Volt (004)
	08200041	1	Engine, 9.25HP OHV Tecumseh OH318SA - 221827B - 240 Volt (301)
	08200043	1	Engine, 11.5HP OHV Tecumseh OH318SA - 221828B - 120 Volt (002, 005, 102)
	08200044	1	Engine, 11.5HP OHV Tecumseh OH318SA - 221826B - 240 Volt (300, 304)
	08200045	1	Engine, 13HP Tecumseh OHV OH358SA - 223842F - 120 Volt (003, 006, 103)
	08200046	1	Engine, 13HP Tecumseh OHV OH358SA - 223841F - 240 Volt (302, 303)
	08200047	1	Engine, 13HP Tecumseh OHV OH358SA - 223843F - 12 Volt (500, 501)
	08200042	1	Engine, 9HP Tecumseh OHV OH318EA - 222719E - (502)
4	08200112	1	Engine, 9.5hp Briggs & Stratton, Powerbuilt 20A1140120E1, 120V (007)
	08200113	1	Engine, 9.5hp Briggs & Stratton, Intek 20B4140121E1, 120V (008)
	08200114	1	Engine, 11.5hp Briggs & Stratton, Intek 21C3140116E1, 120V (009, 010)
	08200015	1	Engine, 13.0hp Briggs & Stratton, Intek 21B4140117E1, 120V (011, 012)
5	00461900	1	Belt Finger
6	05947300	2	Bolt, Hex .31-24 x .75 Grade 5
7	00397100	1	Sheave, Drive
8	00397000	1	Sheave, Attachment
9	00384100	1	Cover, Belt
10	07200020	1	V-Belt 4L 37.06 (001, 002, 004, 005, 007, 008, 009, 010, 011, 012, 101, 102, 300, 301, 304, 502, 504)
	07200021	1	V-Belt 4L 38.00 (003, 006, 103, 302, 303, 500, 501)
11	52602100	1	Plate, Swing Assembly
12	07200101	1	V-Belt,Traction Drive (001, 002, 004, 005, 007, 008, 009, 010, 011, 012, 101, 102, 300, 301, 304, 502, 504)
	07200102	1	V-Belt, Traction Drive (003, 006, 103, 302, 303, 500, 501)
13	52601800	1	Arm, Brake Attachment with Pad
14	00180500	1	Pad, Brake
15	08300017	1	Spring, Tension .056 x .60 x 4.40
16	06542000	1	Nut, Locking Top Flange .38-16
17	07300013	1	Idler, Flat 3.00
18	05957900	1	Bolt, Hex .38-16 x 1.50 Grade 5
19	05947500	1	Bolt, Hex .31-18 x 1.25 Grade 5
20	01213100	1	Spacer, Bearing
21	02457400	1	Idler
22	07412000	4	Screw, Tapping .25-20 x .50 Hex Washer Head Thread Rolling
23	02483100	1	Cord, Extension 110V
24	21533500	1	Plug, Spark
25	21534100	1	Plug, Spark
26	07532000	1	Key, Push/Pull Tecumseh (001, 002, 004, 005, 007, 101, 102, 300, 301, 304, 500, 501)
27	07500012	1	Key, Push/Pull Briggs & Stratton (007, 008, 009, 010, 011, 012)
28	00430751	1	Pivot, Brake
29	05957200	1	Bolt, Hex .31-18 x 2.00 Grade 5
30	06543100	1	Nut, Locking-Top-Flange .31-18
31	06308800	1	Washer, Locking .38 x .094
32	05958600	1	Bolt, Hex .38-24 x 2.0
33	06307400	2	Washer, Locking .312 x .097 Heavy
34	06543100	1	Nut, Locking-Top-Flange .31-18
35	06310500	1	Washer, Lock Internal .31 (500, 501)
36	06437200	1	Washer, Flat-Steel .344 x .688 x .065 (500, 501)
37	06529800	1	Nut, Locking-Center .31-18 (500, 501)
38	08300019	1	Spring, Tension .048 x .50 x 2.8
39	00380900	1	Rod, Housing Pivot
40	06436200	1	Washer, Flat Steel .406 x .812 x .065 (001, 002, 004, 005, 007, 101, 102, 300, 301, 304, 500, 501)
41	06714800	3	Pin, Hair
42	06443000	1	Washer, Flat, Steel 1.062 x 2.0 x .134 (007, 008, 009, 010, 011, 012)
43	06435700	1	Washer, Flat Steel .38 x .875 x .083 (007, 008, 009, 010, 011, 012)
44	07500013	1	Gas cap (007, 008, 009, 010, 011, 012)
45	00486451	1	Guard, Belt Cover, Briggs & Stratton (007, 008, 009, 010, 011, 012)

# WHEELS, AXLE AND REDUCTION DRIVE

## WHEELS AND AXLE

The wheels are held onto the axle with locking pins. To remove a wheel pull the locking pin and the wheel will slide off.

To remove the axle:

1. Place the unit in upright service position.
20. Remove the bottom plate.
21. Remove both wheels.
22. Drive out roll pin.
23. The axle will slide out either side.

**NOTE:** Make a record of the positions for the washers and flanges for reassembly.

To install the axle:

1. Slide the axle into the main frame from either direction.
24. Place bearings, washers, and spur gear into the axle in correct order.

**NOTE:** The spur gear can go on in either way. The nylon flanges must enter into the bushings from the inside out.

25. Insert the woodruff key into the axle and slide the spur gear into position.
26. Move washers into position and drive the roll pins into the axle
27. Replace wheels.

## SPROCKET AND CHAIN

A friction wheel is driven and provides power to the axle shaft. Power is transferred using a chain to a sprocket assembly. To replace the drive chain remove both shafts.

To remove pinion shaft:

1. Place unit in up right service position.
28. Remove wheels and bottom plate.
29. Drive out the two roll pins. These two pins are different in diameter. Make note of which pin is in each hole.
30. Slide the shaft out towards the end with the grease fitting.

**NOTE:** The components on the pinion shaft can all be removed. The hex shaft must be removed (at least partially) to remove the roller chain.

To remove the hex shaft:

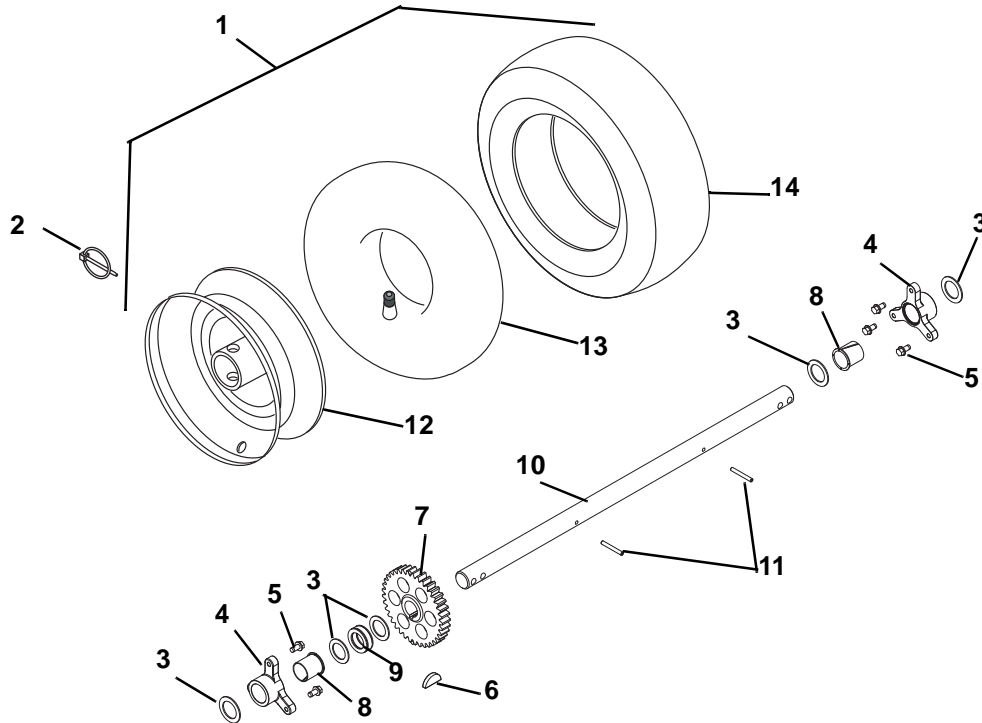
(see *Friction Disc Replacement* on page 30).

To install pinion shaft:

1. Slide pinion shaft into the main body with the roll pin hole closest to the end away from the pinion.
31. Put the washer, flange, and pinion over the shaft. The shaft should be through the center of the chain.
32. Position the shaft with pinion and other parts in place.
33. Select the correct roll pin for the hole on the shaft and drive it into position.
34. Drive the second roll pin into the shaft.
35. Grease the pinion using the grease fitting on the end of the shaft.

# WHEELS AND AXLES

Model 926001, 007, 101, 504

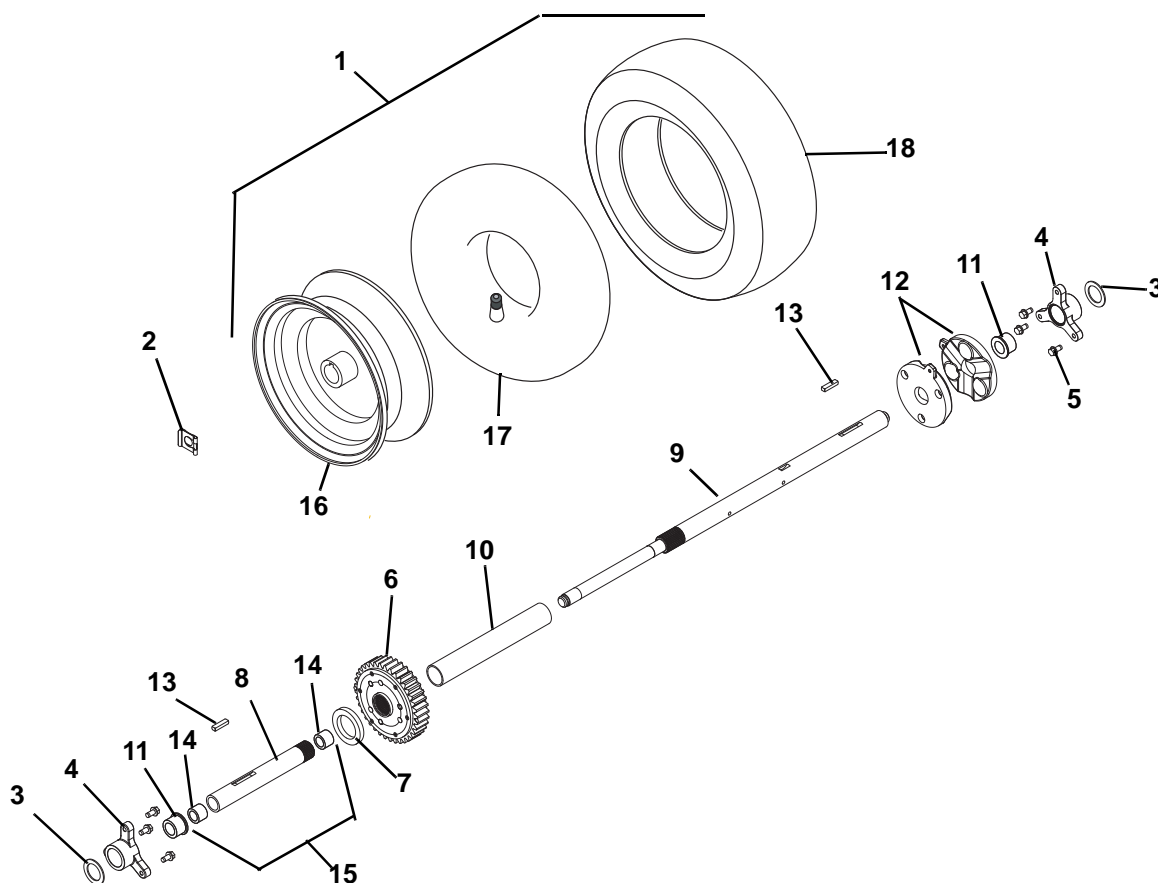


PS0803

tem	Part No.	Qty.	Description
1	07100034	1	Tire/Wheel Assembly, RH 15 x 5 - 6 Pin (Includes Items 12-14)
	07100035	1	Tire/Wheel Assembly, LH 15 x 5 - 6 Pin (Includes Items 12-14)
2	07015800	2	Pin-LOK .31 x 2.00
3	06436300	5	Washer, Flat Steel 1.010 x .505 x .062
4	00275100	2	Bushing, Rake Shaft 1"
5	07412000	6	Screw, Tapping .25-20 x .50
6	06601200	1	Woodruff Key .25 x .88 x .38
7	00371000	1	Gear, Spur
8	05500030	2	Bearing Flange Split Nyliner 1.0
9	00531500	1	Spacer, 1.005 x 1.5075 x .375
10	00391500	1	Axel, Remote
11	05803000	2	Pin-Roll .188 x 1.50
12	07100039	2	Hub, Wheel 15 x 5-6 Pin
13	07156400	2	Tube
14	07100104	1	Tire, x-TRAC 15 x 5-6

# WHEELS AND AXLES

Model 926004, 005, 006, 008, 010, 012, 300, 301, 500, 501, 502

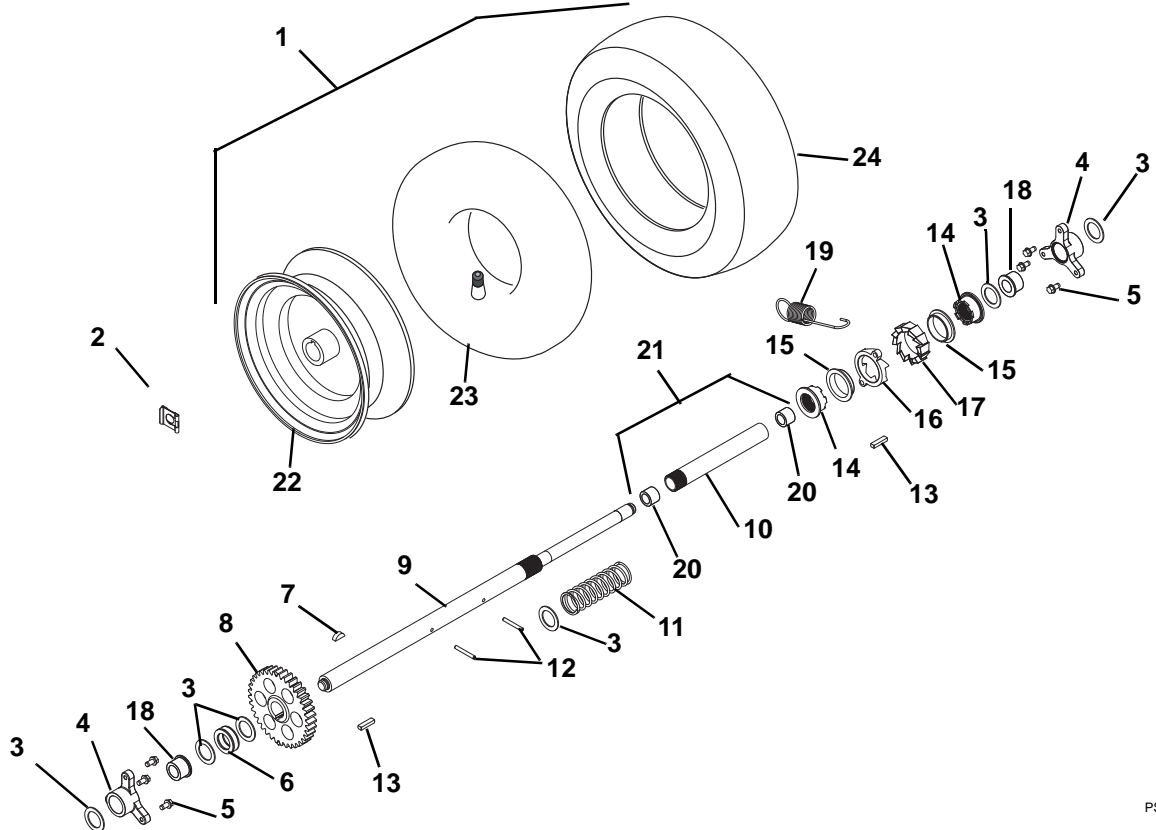


PS0802

item	Part No.	Qty.	Description
1	07100026	1	Tire/Wheel Assembly RH 16 x 4.80 - 8 Differential (Includes 16-18) (004, 005, 006, 008, 010, 012, 300, 301)
	07100027	1	Tire/Wheel Assembly LH 16 x 4.80 - 8 Differential (Includes 16-18) (004, 005, 006, 008, 010, 012, 300, 301)
	07100030	1	Tire/Wheel Assembly RH 16 x 6.50 - 8 Differential (Includes 16-18) (500, 501, 502)
	07100031	1	Tire/Wheel Assembly LH 16 x 6.50 - 8 Differential (Includes 16-18) (500, 501, 502)
2	05700001	2	Clip, Snap
3	06436300	2	Washer, Flat Steel 1.010 x .505 x .062
4	00275100	2	Bushing, Rake Shaft 1"
5	07412000	6	Screw, Tapping .25-20 x .50
6	52601600	1	Differential, Remote Assembly
7	06400012	1	Washer, Flat Nylon 1.38 x 2.00 x .25
8	00375900	1	Axle, Differential-Short
9	00376000	1	Axel, Differential-Long
10	00386500	1	Tube, Axle
11	05500030	2	Bushing, Flange Split Nyliner 1.0" HP
12	00382900	2	Cam, Differential
13	06600002	2	Key .25 x .188 x 1.00
14	05500023	2	Bushing, Sleeve .706 x .764 x .75
15	52601700	AR	Axle, Differential with Bushings (Includes 8 and 14)
16	07100102	2	Hub, Wheel- 16 x 4.8-8 Differential (004, 005, 006, 008, 010, 012, 300, 301)
	07100103	2	Hub, Wheel- 16 x 6.5-8 Differential (500, 501, 502)
17	07103700	2	Tube 4.00 x 8 (004, 005, 006, 008, 010, 012, 300, 301)
	07108700	2	Tube 16 x 6.50- 8 (500, 501, 502)
18	07100106	2	Tire, x-TRAC 16 x 4.8-8 (004, 005, 006, 008, 010, 012, 300, 301)
	07100108	2	Tire, x-TRAC 16 x 6.5-8 (500, 501, 502)

# WHEELS AND AXLES

Model 926002, 003, 009, 011, 102, 103, 302, 303, 304

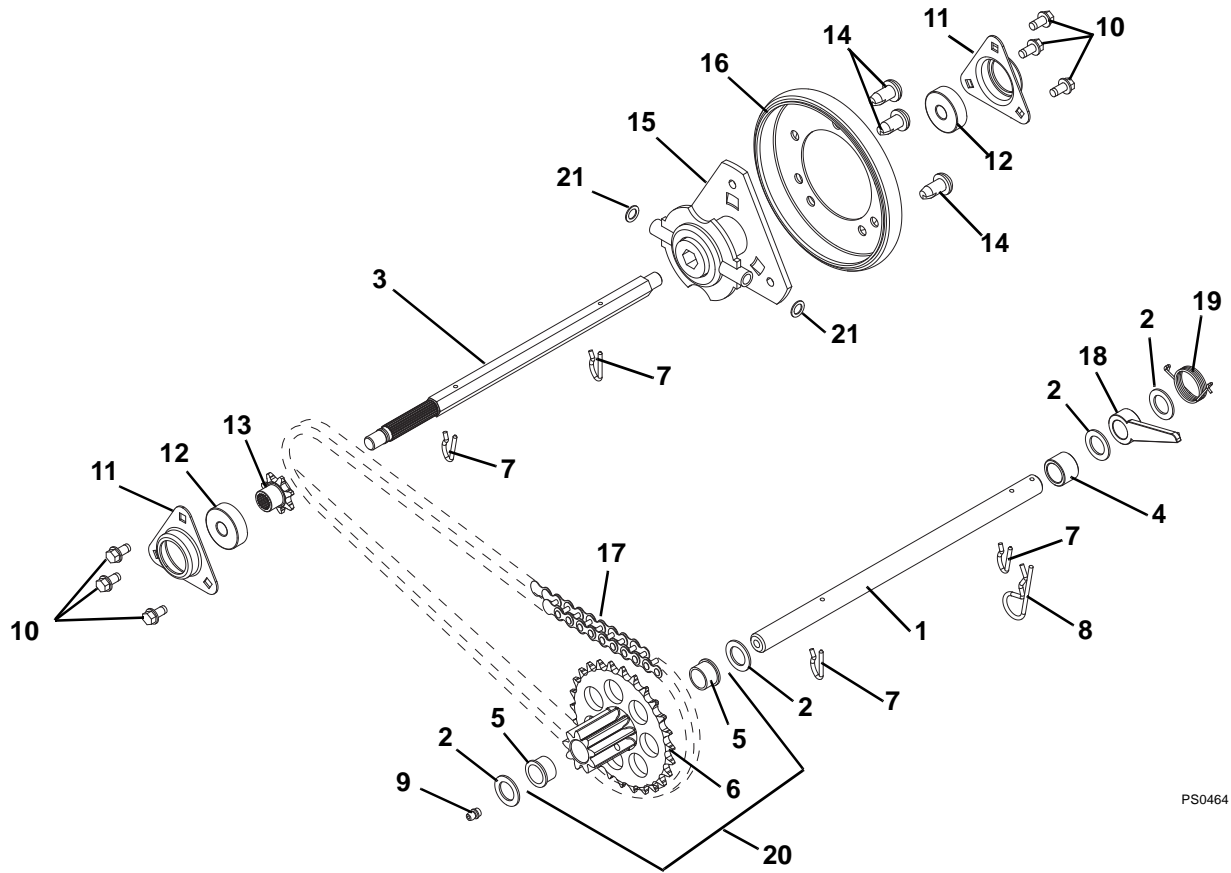


PS0791

tem	Part No.	Qty.	Description
1	07100032	1	Tire/Wheel Assembly RH 15 x 5.00 - 6 (Includes 22-24) (002, 009, 102, 303, 304)
	07100033	1	Tire/Wheel Assembly LH 15 x 5.00 - 6 (Includes 22-24) (002, 009, 102, 303, 304)
	07100030	1	Tire/Wheel Assembly RH 16 x 6.50 - 8 Differential (Includes 16-18) (003, 011, 103, 302)
	07100031	1	Tire/Wheel Assembly LH 16 x 6.50 - 8 Differential (Includes 16-18) (003, 011, 103, 302)
2	05700001	2	Clip, Snap
3	06436300	6	Washer, Flat Steel 1.010 x .505 x .062
4	00275100	2	Bushing, Rake Shaft 1"
5	07412000	6	Screw, Tapping .25-20 x .50
6	00531500	1	Spacer, 1.005 x 1.5075 x .375
7	06601200	1	Woodruff Key .25 x .88 x .38
8	00371000	1	Gear, Spur
9	00376000	1	Axle, Differential-Long
10	00375900	1	Axle, Differential-Short
11	00427700	1	Spring, Compression
12	05803000	2	Pin-Roll .188 x 1.50
13	06600002	2	Key .25 x .188 x 1.00
14	00386900	2	Clutch, Dog Sliding
15	00391100	2	Bushing, Flange
16	00387100	1	Gear, Clutch
17	00387000	1	Gear, Ratchet
18	05500030	2	Bushing, Flange Split Nyliner 1.0" HP
	19	08300023	1 Spring, Tension .06 x .62 x 2.94
	20	05500023	2 Bushing, Sleeve .706 x .764 x .75
	21	52601700	AR Axle, Differential with Bushings (Includes 10 and 20)
	22	07100101	2 Hub, Wheel 15 x 5-6 Remote (002, 009, 102, 303, 304)
		07100103	2 Hub, Wheel- 16 x 6.5-8 Differential (003, 011, 103, 302)
	23	07156400	2 Tube (002, 009, 102, 303, 304)
		07108700	2 Tube 16 x 6.50- 8 (003, 011, 103, 302)
	24	07100104	2 Tire, x-TRAC 15 x 5-6 (002, 009, 102, 303, 304)
		07100108	2 Tire, x-TRAC 16 x 6.5-8 (003, 011, 103, 302)

# REDUCTION DRIVE

Model All 926007, 008, 009, 010, 011, 012



PS0464

Item	Part No.	Qty.	Description
1	00382800	1	Shaft, Pinion
2	06436100	2	Washer, Flat Steel .630 x 1.005 x .062 (001, 004, 005, 006, 007, 008, 010, 012, 101, 300, 301, 500, 501, 502, 504)
	06436100	4	Washer, Flat Steel .630 x 1.005 x .062 (002, 003, 009, 011, 102, 103, 302, 303, 304)
3	00372900	1	Shaft, Hex with Spline
4	05500029	1	Spacer .635 x .880 x .611 (001, 004, 005, 006, 007, 008, 010, 012, 101, 300, 301, 500, 501, 502, 504)
5	05500022	2	Bushing, Flange .625 x .750 x .500 x .875
6	00190600	1	Pinion and Sprocket
7	06714500	4	Pin, Spring Clip
8	06712900	1	Pin, Hair #7 Clip .094 x 2.31
9	07061300	1	Zerk, Fitting .25 x .125 Drive-In
10	07412000	6	Screw, Tapping Hex Washer Head .25-20 x .50
11	00383000	2	Flange, Bearing
12	05435200	2	Bearing, Ball .437 x 1.375 x .437
13	00385800	1	Sprocket, Pinion 7T with Spline
14	07400009	3	Screw, Tapping .31-18 x .50
15	00383100	1	Carrier, Drive Disk
16	00170800	1	Friction, Disk
17	02466200	1	Chain, #41, 32 Pitches
18	00391200	1	Lever, Lock Arm (002, 003, 009, 011, 102, 103, 302, 303, 304)
19	00391300	1	Spring, Torsion (002, 003, 009, 011, 102, 103, 302, 303, 304)
20	52601500	1	Pinion and Sprocket with Bushings
21	06439200	2	Washer, Flat-Steel .505 x 1.00 x .062



# CHUTE/AUGER/IMPELLER

## AUGER/IMPELLER REMOVAL

Place unit in the belt service position.

1. Remove set screw holding auger driven pulley to shaft and remove pulley.
36. Remove three nuts holding bushings to housing on each side.
37. Grasp auger assembly and pull gear case and auger/impeller assembly free of housing.
38. Remove bearing flanges.
39. Remove shear bolts and remove auger from shaft.
40. Check all parts for wear or replacement.
41. Assemble using reverse procedure.

## SHEAR BOLTS



**WARNING:** Stop engine, remove key, wait for moving parts to stop and remove wire from spark plug before leaving operator's position and attempting to maintain or inspect auger.

**IMPORTANT:** Use only Ariens shear bolts for replacement. Use of any other type of shear bolt may result in severe damage to unit.

Occasionally an object may enter auger/impeller housing and jam auger, breaking shear bolts which secures auger to shaft. This allows auger to turn freely on shaft preventing damage to gear drive.

To replace shear bolt:

1. Slide auger outward against roll pin and align hole in shaft with hole in auger. The holes in shaft for roll pins and shear bolts will line up.
42. Drive the new shear bolt through hole (if shear bolt was broken this will drive remaining part from shaft).
43. Secure with nut.

## DISCHARGE CHUTE



**WARNING:** DO NOT put hands or feet near or under rotating parts. Keep clear of discharge opening at all times.



**WARNING:** NEVER direct discharge of material toward bystanders nor allow anyone in front of equipment while unit is in operation. Be familiar with area of operation.

To remove discharge chute unbolt the chute positioning assembly from the discharge chute. Disconnect chute cable, deflector cable and hex shaft. Tip discharge chute forward and lift.

**NOTE:** Chute must rotate freely. If chute does not stay in position while throwing snow or if chute does not rotate freely, adjust the cable under the control panel so the chute lock fingers engage or disengage the locking gear.

## RUNNERS



**CAUTION:** Adjust auger/impeller housing height to clear gravel or crushed rock surfaces.

Runners should be adjusted as conditions require. Raising or lowering runners controls distance scraper blade is held above surface being cleared.

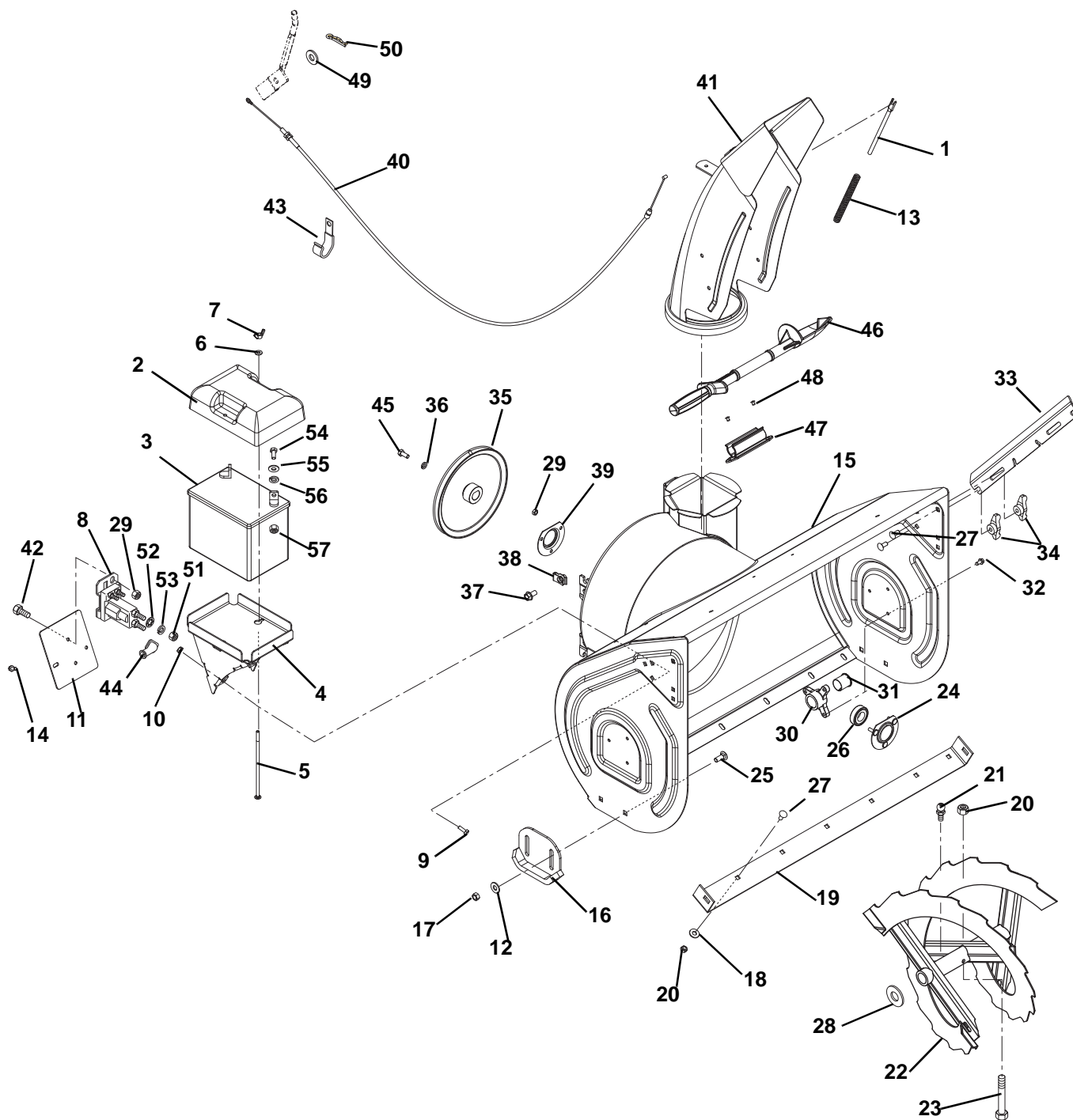
When operating machine on gravel surface, lower runners so the housing will not pick up gravel. On concrete, blacktopped or packed down snow surfaces, raise runners so that scraper blade scrapes clean.

Position unit on a flat level surface. Adjust runners by inserting a spacer of desired thickness under center of scraper blade, loosen hardware, slide runners to flat surface and retighten hardware.

**NOTE:** Above method keeps housing level by adjusting runners equally. Uneven runners make machine difficult to steer and results in uneven clearing.

# CHUTE, AND AUGER AND BATTERY

Model All



PS1092

# CHUTE, AND AUGER AND

# BATTERY

Model All 926007, 008, 009, 010, 011, 012

Item	Part No.	Qty.	Description			
1	00389000	1	Rod, Deflector Cap	21	07012600	4 012, 103, 302, 500, 501)
2	04912900	1	Cover, Battery (500, 501)	22	52421100	4 Fitting, Lube .25-28 x .256
3		A/R	Battery Recommend 240 Minimum CCA at 0° F. Size U1R or U1L (500, 501)			1 Rake, Left Hand - 26" (15.75" O.D.) (Includes Item 20) (001, 004, 005, 007, 008, 010, 101, 300, 301, 504)
4	02488659	1	Battery Tray (500, 501)		52421200	1 Rake, Right Hand - 26" (15.75" O.D.) (Includes Item 20) (001, 004, 005, 007, 008, 010, 101, 300, 301, 504)
5	06220400	2	Bolt, Round Head Square Neck .25-20 x 7.00 (500, 501)			1 Rake, Left Hand - 28" (15.75" O.D.) (Includes Item 20) (002, 006, 009, 012, 102, 303, 304)
6	06437300	6	Washer, Flat Steel .28 x .62 x .065 (500, 501)		52421300	1 Rake, Right Hand - 28" (15.75" O.D.) (Includes Item 20) (002, 006, 009, 012, 102, 303, 304)
7	06537500	2	Wing Nut, Locking .25-20 (500, 501)		52421400	1 Rake, Left Hand - 32" (15.75" O.D.) (Includes Item 20) (003, 103, 011, 302, 500)
8	03679000	1	Solenoid (500, 501)		52421500	1 Rake, Right Hand - 32" (15.75" O.D.) (Includes Item 20) (003, 103, 011, 302, 500)
9	05946800	4	Bolt, Hex .25-20 x .75 Grade 5 (500, 501)		52421600	1 Rake, Left Hand - 36" (15.75" O.D.) (Includes Item 20) (501)
10	06530100	4	Nut, Lock Flange .25-20 (500, 501)		52421700	1 Rake, Right Hand - 36" (15.75" O.D.) (Includes Item 20) (501)
11	02484459	1	Cover, Solenoid (500, 501)		52421800	2 Shear Bolt Service Assembly (Includes Item 20)
12	06435900	4	Washer, Flat Steel .44 x 1.00 x .083		24 00301700	1 Bearing Flange
13	08300013	1	Spring, Compression		25 06212000	4 Bolt, Round Head Square Neck .38-16 x 1.00
14	07412000	2	Screw, Tapping .25-20 x .50 Hex Washer Head (500, 501)		26 05409300	1 Bearing, Ball .880 x 1.75 x .50
15	52600200	1	Blower Housing with Decal 26" (001, 004, 005, 007, 008, 010, 101, 300, 301, 504)	23	51001500	9 Bolt, Round Head Square Neck .31-18 x .75 (001, 002, 004, 005, 006, 007, 008, 009, 010, 012, 101, 102, 300, 301, 304, 504)
	52600300	1	Blower Housing with Decal 28" (002, 006, 009, 012, 102, 303, 304)	24	00301700	1 Bearing Flange
	52600400	1	Blower Housing with Decal 32" (003, 011, 103, 302)	25	06212000	4 Bolt, Round Head Square Neck .38-16 x 1.00
	52600500	1	Blower Housing with Decal 32" (500)	26	05409300	1 Bearing, Ball .880 x 1.75 x .50
	52600600	1	Blower Housing with Decal 36" (501)	27	06220800	9 Bolt, Round Head Square Neck .31-18 x .75 (001, 002, 004, 005, 006, 007, 008, 009, 010, 012, 101, 102, 300, 301, 304, 504)
16	02483059	2	Runner, Skid Shoe 1/2" Flange (004, 005, 006, 008, 010, 012, 300, 301, 500, 501)		06220800	11 Bolt, Round Head Square Neck .31-18 x .75 (003, 011, 103, 302, 500, 501)
	02483859	2	Runner, Double Flange (001, 002, 003, 007, 009, 011, 101, 102, 103, 302, 303, 304, 504)	28	06436300	2 Washer, Flat Steel 1.01 x 1.51 x .062
17	06529600	4	Nut, Locking .38-16	29	06529700	31 Nut, Locking Center .25-20
18	06435900	6	Washer, Flat Steel .438 x 1.00 x .083 (004, 005, 006, 008, 010, 012, 300, 301, 500, 501)	30	00275100	2 Bushing, Rake Shaft 1.00
	06435700	9	Washer, Flat Steel .38 x .88 x .083 (003, 011, 103, 302, 500, 501)	31	05500011	2 Bushing, Flange 1.00
19	00268659	1	Scraper Blade 26" (001, 004, 005, 007, 008, 010, 101, 300, 301, 504)	32	07412000	6 Screw, Tapping .25-20 x .50
	00175059	1	Scraper Blade 28" (002, 006, 009, 012, 102, 303, 304)	33	00262159	2 Cutter, Drift
	00174959	1	Scraper Blade 32" (003, 011, 103, 302, 500)	34	07531700	4 Knob-Wing .312-18
	00268859	1	Scraper Blade 36" (501)	35	00258500	1 Pulley, 4L W/Hub .87 X 8.5
20	06529800	5	Nut, Locking Center .31-18 (001, 002, 004, 005, 006, 007, 008, 009, 010, 011, 101, 102, 300, 301, 304, 504)	36	06307400	1 Washer, Locking .312 x .097
	06529800	7	Nut, Locking Center .31-18 (003,			

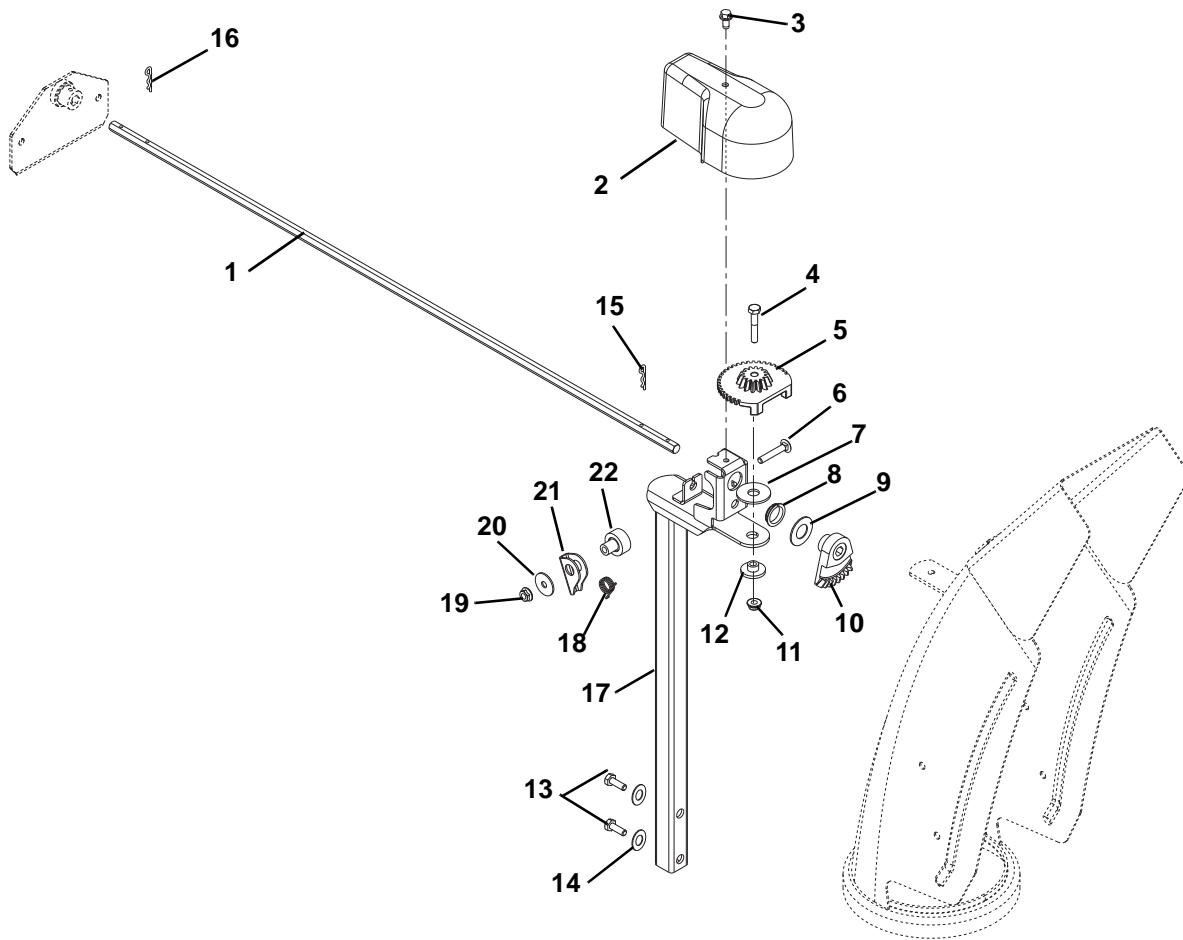
# CHUTE, AUGER AND BATTERY

## Model All

Item	Part No.	Qty.	Description
37	07028500	2	Bolt, Hex Flanged Whizloc Head .38-16 x .75
38	07053300	2	Nut, Retainer .375-16 x .37
39	01014200	1	Bearing Flange
40	06900018	1	Cable, Deflector
41	52602200	1	Chute, Discharge with Deflector
42	05947900	2	Bolt, Hex .25-20 x .50 Grade 5 (500, 501)
43	06909400	1	Clamp, J
44	07533200	2	Boot, Eyelet Terminal (500, 501)
45	05947300	1	Bolt, Hex .31-24 x .75 Grade 5
46	00170200	1	Snow Clean Out
47	00170300	1	Mount, Snow Clean Out
48	06813600	2	Rivet, Pop .187 x .45
49	06437300	1	Washer, Flat Steel .281 x .62 x .065
50	06701900	1	Pin, Hair Internal .06 x .18 x .77
51	06536700	2	Nut- Jam .31-24
52	06310500	2	Washer, Lock Internal .31
53	06308600	2	Washer, Locking .31 x .078 Regular
54	05946800	2	Bolt, Hex .25-20 x .75 Grade 5
55	06439500	2	Washer, Flat Steel .265 x .50 x .087
56	06308400	2	Washer, Locking .25 x .062 Regular
57	06533200	2	Nut, Hex .25-20

# DISCHARGE CHUTE

Model All



PS1103

Item	Part No.	Qty.	Description
1	00389200	1	Rod, Chute Rotation - Hex
2	00261700	1	Cover, Chute Gear
3	07412000	1	Screw, Tapping .25-20 x .50 Hex Washer Head
4	05952500	1	Bolt, Hex .25-20 x 1.25 Grade 5
5	00184200	1	Gear, Chute - Locking
6	06222300	1	Bolt, Round Head Square Neck .35-20 x 1.50
7	06400014	1	Washer, Flat Washer .47 x 1.38 x .09
8	05500027	1	Bushing, Polyliner .75 Snap-in
9	06441400	2	Washer, Flat Steel .754 x 1.125 x .062
10	00184300	1	Gear, Chute
11	06543500	1	Nut, Locking Top Flange .25-20
12	05500005	1	Bushing, Flange .265 x .448 x .373 x 1.00
13	05958500	2	Bolt, Hex .38-16 x 1.75 Grade 5
14	06308800	2	Washer, Locking .38 x .094
15	06944800	1	Clip, Spring
16	06712900	1	Hairpin, # 7 Clip .094 x 2.31
17	00388551	1	Pedestal, Chute Support
18	08300014	1	Spring, Torsion
19	06543500	1	Nut, Locking Top Flange .25-20
20	06426600	1	Washer, Flat Steel .281 x 1.00 x .063
21	00180900	1	Arm, Locking
22	05500024	1	Bushing, Lock Arm

## GEAR CASE

### ALUMINUM GEAR CASE

1. Remove auger/impeller and gear case from housing referring to *Auger/Impeller Section*.
44. Remove six bolts that hold right and left gear case halves together.
45. If flange bushings need replacement, first remove seals from outside of gear case halves with a screwdriver. Flange bushings can then be pressed out from outside in with a bearing driver. Bushings are very lightly pressed in.
46. When replacing bushings make sure the flat on the flange of bushing fits in the inside notch of the case.
47. There are two special washers, one on either side of bronze gear. If burred or worn, they should be replaced.
48. Holding bronze gear on rake shaft is a groove pin. When driving out, drive in direction of least resistance. The flat on bronze gear face will fill the hole in the side of the gearcase.
49. Remove bronze bushing from front of worm shaft by sliding it off. Replace if necessary. Notice that a flat on the bushing flange positions the bearing inside the gear case.
50. Behind rear bronze bushing is a seal which fits into a groove in gear case. It should be replaced at time of repair.
51. Rear bushing is a larger diameter than one in front, but are identical in design. Replace if necessary.
52. If replacement of thrust collar is necessary, drive out groove pin towards direction of least resistance.
53. Inspect worm shaft for burrs or black coloration. If either show up, replace shaft.
54. Prior to re-assembly, apply Loctite 118 on gear case half. Reassemble. Make sure the flats on the bushings are in their proper place.

This case requires Ariens L-2 P/N 00008000 and should be half full.

After assembly is complete you should be able to turn input shaft freely.

Auger/impeller gear case is lubricated with Ariens L-2 (P/N 00008000). Check lubrication by removing filler plug. Lubrication should be even with hole with unit

sitting level. It may be necessary to insert a wire into the hole to check level. Unit will not be damaged by over-lubricating but may cause leakage.

### CAST IRON GEAR CASE

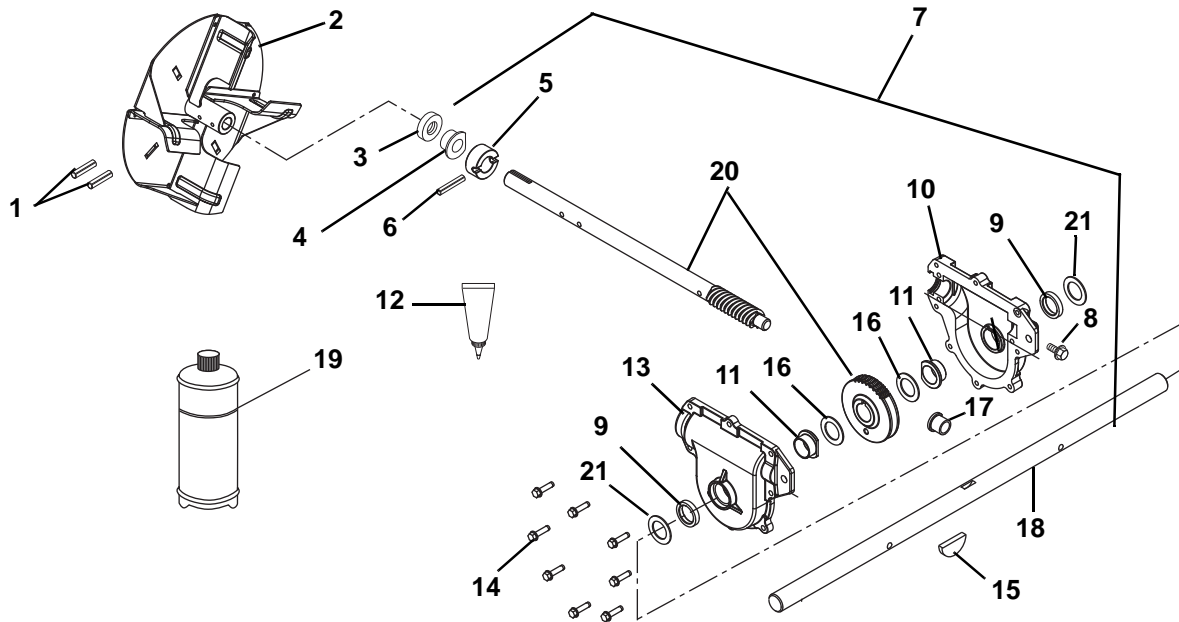
1. Remove auger/impeller and gear case from housing referring to *Auger/Impeller Section*.
  55. Remove four bolts from side case.
  56. Remove side case and gasket.
- NOTE:** At this point bronze gear cannot be removed.
57. While holding input shaft in one hand and using a mallet, strike case until bearing cone pops out of the case. Bronze gear can then be removed from case.
  58. After bronze gear has been removed input shaft can then be removed.
- NOTE:** It is not necessary to remove end cap from case.
59. To remove worm gear and bearings, simply remove bolt and washer from end of shaft.
  60. Assembly is done by inserting bronze gear and worm gear at same time.
  61. Using adjustment wrench, tighten down on adjustment plug until input shaft is snug.
  62. Replace side cover using a sealant on threads of two bottom bolts.

Fill gear case with L-2 oil until level reaches bottom of threads in filler hole.

Check oil level periodically. Oil level must be up to oil fill hole. Change oil every 25 hours or once each season, whichever comes first. Fill with Ariens Special L-2 Gear Lubricant (P/N 000080). Use approximately 5 oz.

# GEAR CASE-ALUMINUM

Model 926001, 002, 003, 007, 009, 011, 101, 102, 103, 302, 303, 304, 504



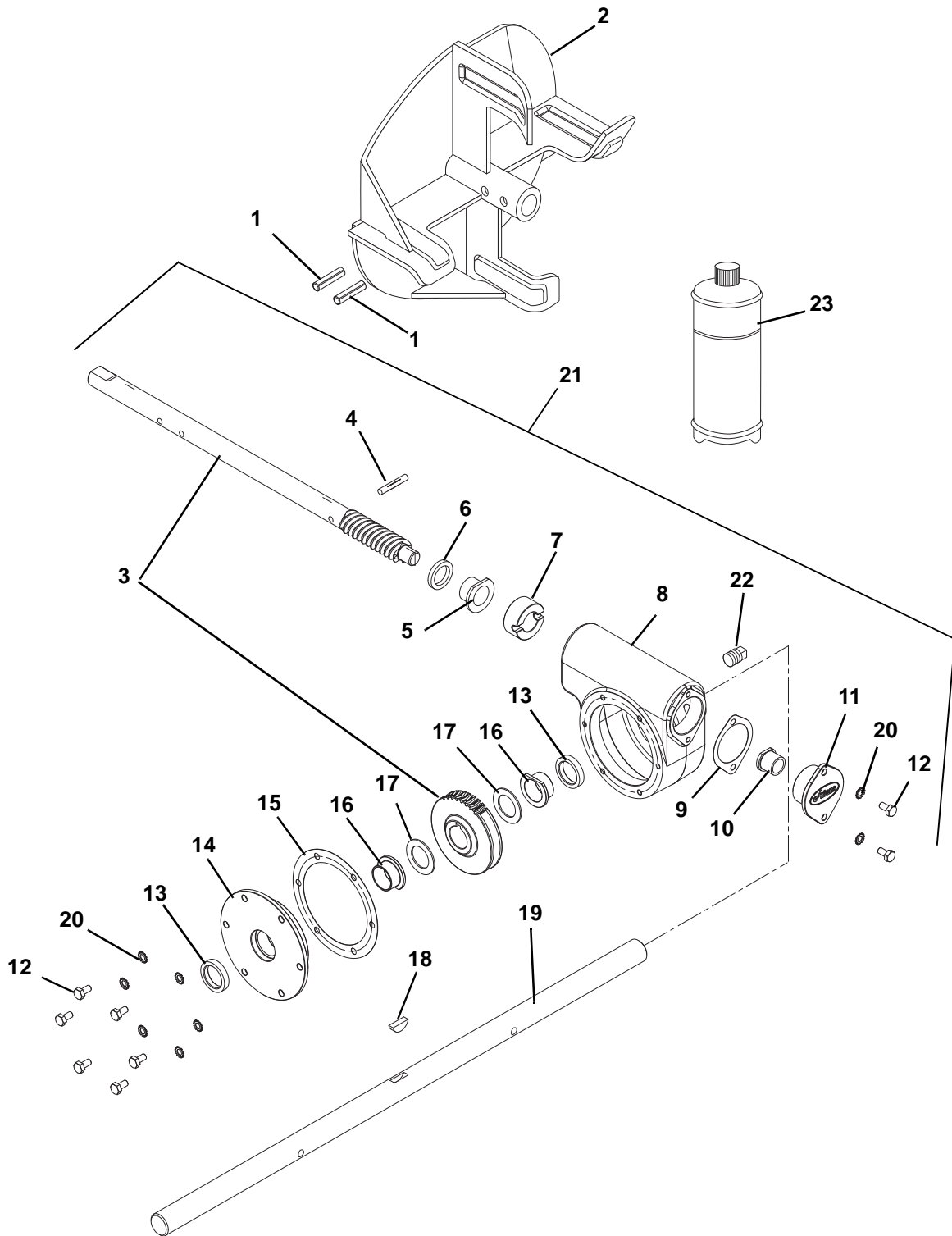
PS0283

Item	Part No.	Qty.	Description
1	05803700	2	Pin, Roll .25 x 1.75
2	00258251	1	Impeller 14" O.D.
3	05600001	1	Seal, Oil .875 x 1.375 x .25
4	05500008	1	Bushing, Flange .876 x 1.50 x .75
5	00255100	1	Thrust Collar .875
6	05806800	1	Pin, Groove .25 x 1.50
7	53213600	AR	Case, Gear Aluminum 26" (Contains Items 3-6, 8-19) (001, 007, 101, 504)
	52419400	AR	Case, Gear Aluminum 28" (Contains Items 3-6, 8-19) (002, 009, 102, 303, 304)
	52419500	AR	Case, Gear Aluminum 32" (Contains Items 3-6, 8-19) (003, 011, 103, 302)
8	07417000	1	Screw, Tapping .38-16 x .75
9	05618800	2	Seal 1.00 x 1.38
10	00254100	1	Gearcase, Left Hand
11	05520500	2	Bushing, Flanged 1.003 x 1.50 x .625
12	00925700	1	Loctite Gasket 518 850 cc Cartridge
13	00254000	1	Gearcase, Right Hand
14	07412400	8	Screw, Tapping .25-20 x 1.00
15	06600800	1	Key, Woodruff .25 x .875 x .375
16	06416600	2	Washer, Flat Steel 1.01 x 1.54 x .062
17	05500007	1	Bushing, Flange .629 x 1.00 x .75
18	00257500	1	Rake Shaft 26"(001, 007, 101, 504)
	00276100	1	Rake Shaft 32" (002, 009, 102, 303, 304)
	00275000	1	Rake Shaft 28" (003, 011, 103, 302)
19	00008000	1	Ariens 16 Oz. Bottle of L2 Lube (9 oz. capacity)
20	52419600	1	Worm Shaft and Gear
21	06436300	2	Washer, Flat Steel 1.010 x 1.505 x .062



# GEAR CASE-CAST IRON

Model 926004, 005, 006, 008, 010, 012, 300, 301, 500, 501



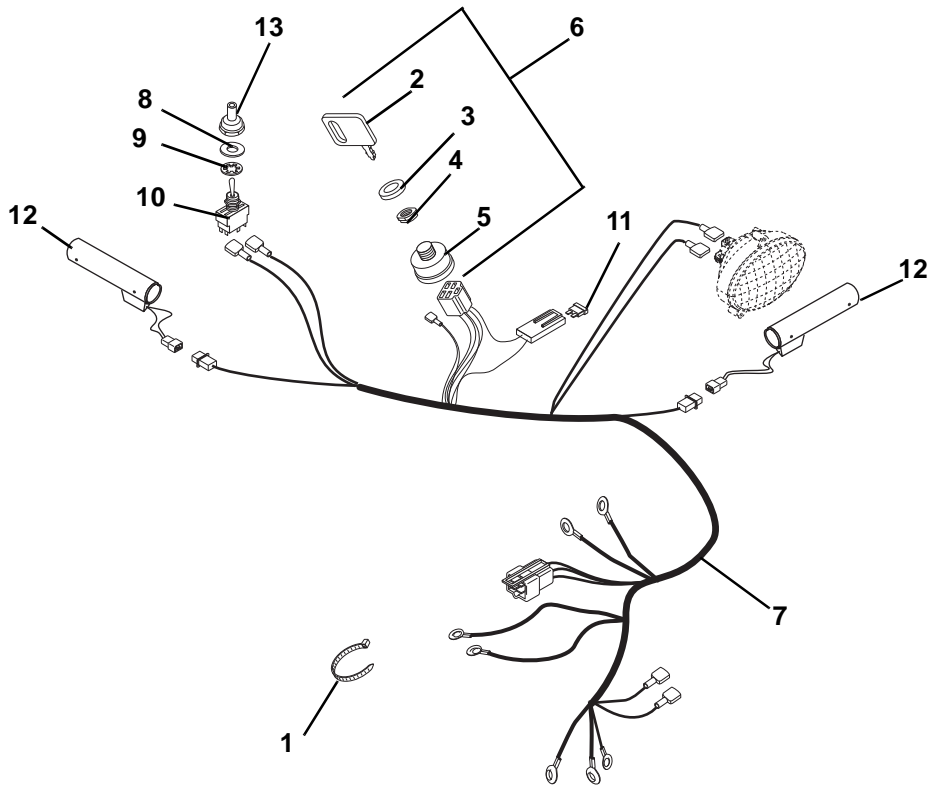
# GEAR CASE-CAST IRON

Model 926004, 005, 006, 008, 010, 012, 300, 301, 500, 501

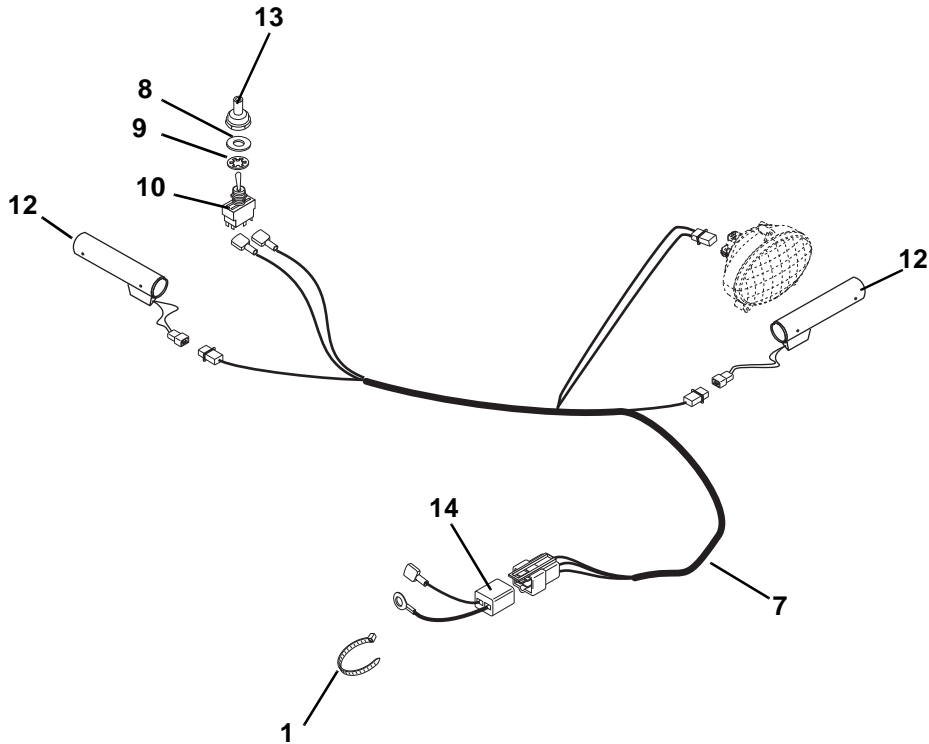
Item	Part No.	Qty.	Description
1	05803700	2	Pin, Roll .25 x 1.75
2	00258251	1	Impeller-14" (004, 005, 006, 008, 010, 012, 300, 301, 500)
	00258451	1	Impeller-14" (501)
3	52419600	1	Assembly, Worm Shaft and Gear-Aluminum
4	05806800	1	Pin, Groove .250 x 1.50
5	05500008	1	Bushing, Flange .876 x 1.50 x .750
6	05600002	1	Seal .875 x 1.25 x .188
7	00255100	1	Thrust Collar, .875 ID
8	00388200	1	Gearcase, Cast Iron Machined
9	00425200	1	Gasket, Front Cast Iron
10	05500007	1	Bushing-Flange .629 x 1.000 x .750
11	00388400	1	Cover, Front-CI Gear Case
12	05947900	8	Bolt, Hex .25-20 x .50
13	05618800	2	Seal, Oil 1.000 x 1.375 x .250
14	00393500	1	Side, Front-CI Gear Case
15	00425100	1	Gasket, Side Cast Iron
16	05520500	2	Bushing, Flange 1.003 x 1.5 x .625
17	06416600	2	Washer-Hard-Thrust 1.007 x 1.542 x .062
18	06600800	1	Key, Woodruff .25 x .88 x .38
19	00257500	1	Shaft, Rake 26" (004, 005, 008, 010, 300, 301)
	00275000	1	Shaft, Rake 28" (006, 012)
	00276100	1	Shaft, Rake 32" (500)
	00267500	1	Shaft, Rake 36" (501)
20	06306800	8	Washer, Lock External .26 x .50 x .026
21	52600700	1	Gear Case, Cast Iron 26" (004, 005, 008, 010, 300, 301)
	52600800	1	Gear Case, Cast Iron 28" (006, 012)
	52600900	1	Gear Case, Cast Iron 32" (500)
	52601000	1	Gear Case, Cast Iron 36" (501)
22	00150900	1	Pipe Plug, 1/4 NPT
23	00008000	1	Ariens 16 oz. Bottle of L2 Lube (9 oz. capacity)

# ELECTRICAL

Model 926002, 003, 004, 005, 006, 008, 009, 010, 011, 012, 102, 103, 300, 301, 302, 303, 304, 500, 501, 502



PS0891



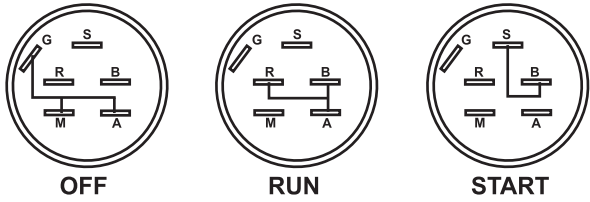
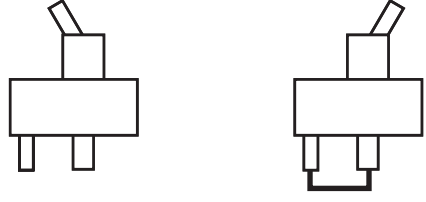
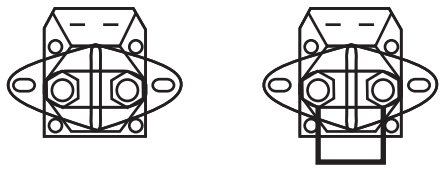
PS0891

item	Part No.	Qty.	Description
1	07517300	AR	Cable Tie
2	02460700	1	Key with Cap (500, 501)
3	07517700	1	Cap, Ignition Switch (500, 501)
4	06517300	1	Nut, Panel .63-32 (500, 501)
5	02739600	1	Ignition Switch Assembly (500, 501)
6	52709300	1	Switch Assembly (Includes Items 2 thru 5) (500, 501)
7	00432300	AR	Harness, Wiring-Light and Handwarmer (002, 003, 004, 005, 006, 008, 010, 011, 012, 102, 103, 300, 301, 302, 303, 304, 502)
	00432400	AR	Harness, Wire-Light and Handwarmer, 12V (500, 501)
8	06403800	1	Washer, Flat Steel .51 x .88 x .024
9	06310900	1	Washer, Locking Internal .56 x .04
10	02485700	1	Switch, On/Off Hand Warmer
11	00524700	1	15 AMP Fuse
12	07532900	2	Hand Warmer with Terminal (Recommend Fast Drying Epoxy for Installation)
13	09207600	AR	Boot, Switch (Optional)
14	00483200	1	Harness Adapter

# CONTINUITY DIAGRAM

## Model 926500, 501

The diagrams below show the various states of connection for electrical components.  
 The solid lines on switches show continuity.  
**NOTE:** All switches are viewed from the rear.

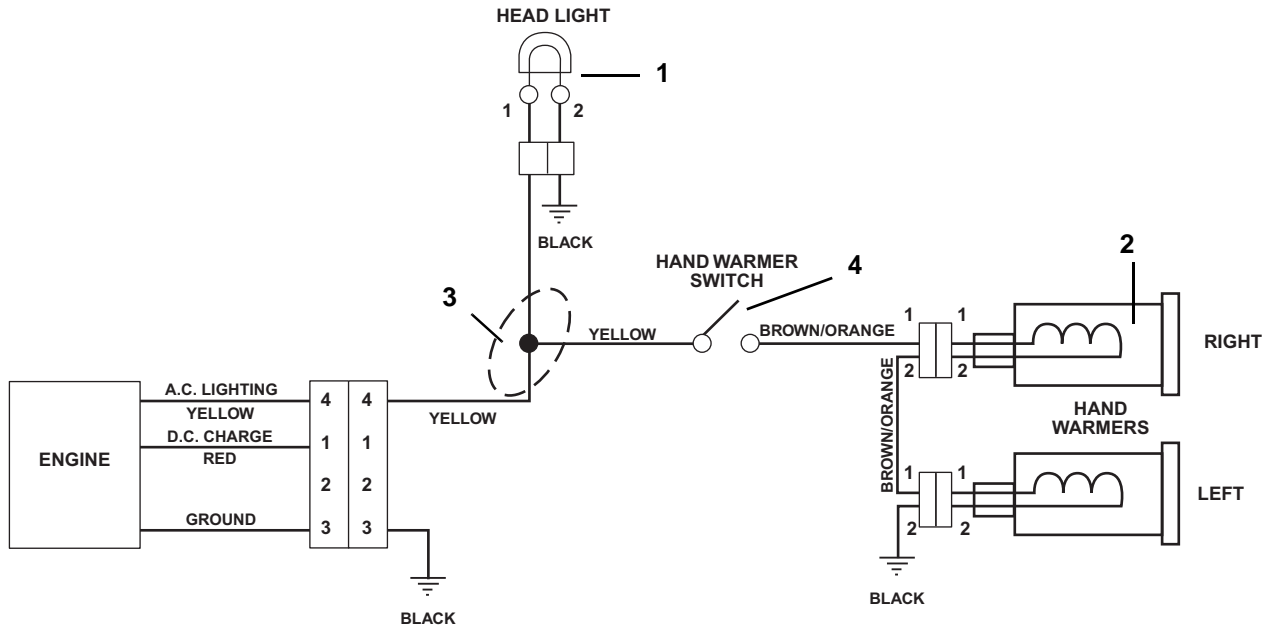
<p><b>Key Switch</b> (02739600)</p>  <p style="display: flex; justify-content: space-around;"> <span>OFF</span> <span>RUN</span> <span>START</span> </p>	<p><b>Hand Warmer Switch</b> (02485700)</p>  <p style="display: flex; justify-content: space-around;"> <span>HAND WARMER OFF</span> <span>HAND WARMER ON</span> </p>
<p><b>Solenoid (Top View)</b> (03679000)</p>  <p style="display: flex; justify-content: space-around;"> <span>NOT ENERGIZED</span> <span>ENERGIZED</span> </p>	

PS0841

# CONTINUITY AND WIRING

# DIAGRAMS

Model 926002, 003, 004, 005, 006, 008, 009, 010, 011, 012, 102, 103, 300, 301, 302, 304, 502, 503



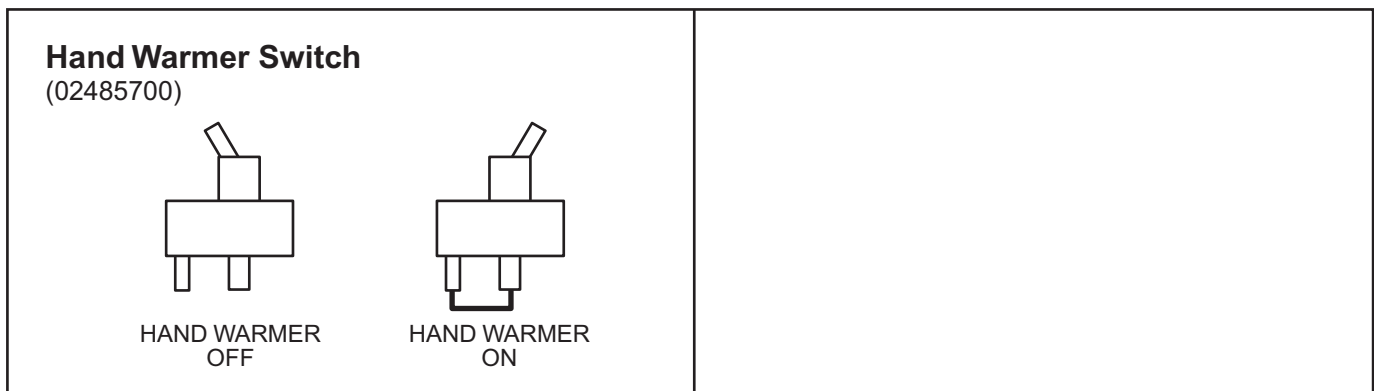
PS0830

Item	Part No.	Qty.	Description
1	00487500	1	Headlight Assembly, Halogen 862 37W
2	07532900	2	Warmer, Hand with Terminal (Recommend Fast Drying Epoxy for Installation)
3	00432300	1	Harness, Wire Light Handwarmer
4	02485700	1	Switch, On/Off Hand Warmer

The diagrams below show the various states of connection for electrical components.

The solid lines on switches show continuity.

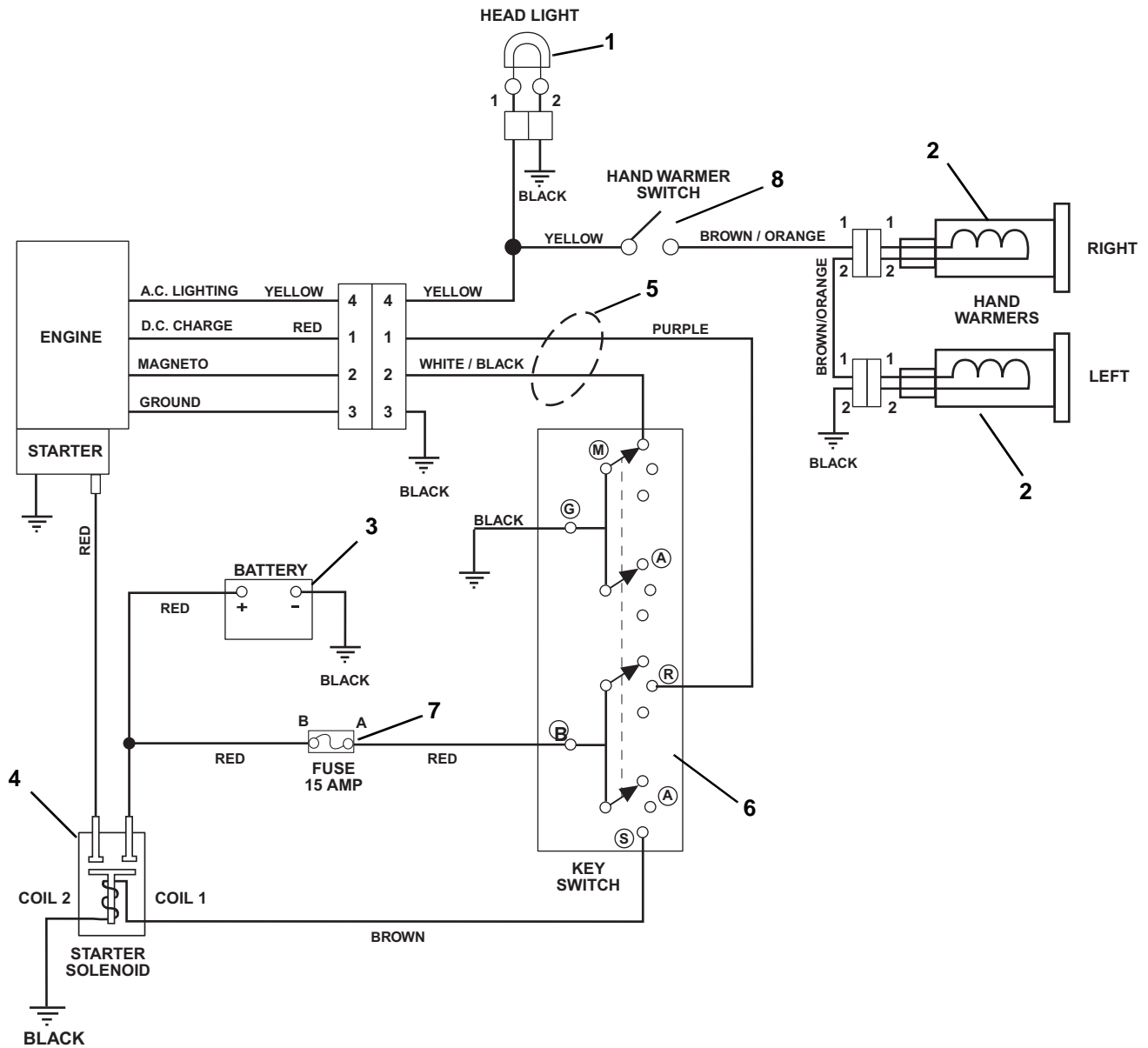
**NOTE:** All switches are viewed from the rear.



PS0820

# WIRING DIAGRAM

Model 926500, 501



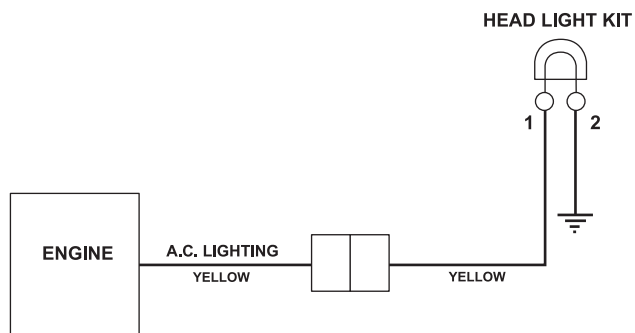
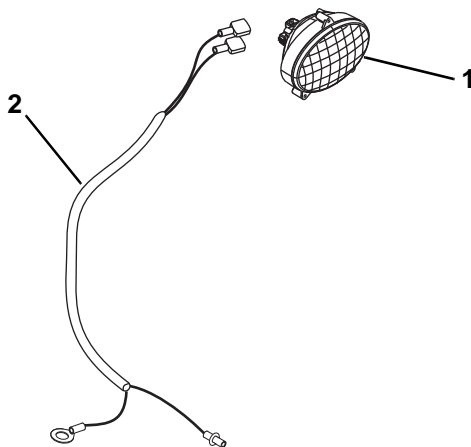
PS0672

Item	Part No.	Qty.	Description
1	00432500	1	Light, Halogen Assembly
2	07532900	2	Warmer, Hand with Terminal (Recommend Fast Drying Epoxy for Installation)
3	AR		Battery Recommend 240 Minimum CCA at 0° F. Size U1R or U1L
4	03679000	1	Solenoid
5	00432400	1	Harness, Wire-LT, HW, 12V
6	52709300	1	Switch Assembly
7	00524700	1	15 AMP Fuse
8	02485700	1	Switch, On/Off Hand Warmer

# ELECTRICAL AND WIRING

# DIAGRAM

Model 926001, 007, 101, 504



PS0900

Item	Part No.	Qty.	Description
1	00487500	AR	Headlight Assembly, Halogen 862 37W
2	00432200	1	Harness, Wire Light



## TROUBLESHOOTING

PROBLEM	PROBABLE CAUSE	CORRECTION
<b>Engine will not crank/start.</b>	<ol style="list-style-type: none"> <li>1. Fuel tank is empty.</li> <li>2. Fuel shut-off valve closed.</li> <li>3. Build up of dirt and residue around governor/carburetor.</li> <li>4. Key Switch not in run position.</li> <li>5. Ignition switch starter circuit not functioning.</li> <li>6. Battery discharged, wires loose.</li> <li>7. Fuse on wiring harness blown.</li> <li>8. Electric starter not functioning.</li> </ol>	<ol style="list-style-type: none"> <li>1. Fill fuel tank.</li> <li>2. Open fuel shut-off valve.</li> <li>3. Clean area around governor/carburetor.</li> <li>4. Put Key Switch into run position.</li> <li>5. Check for a bad starter or connections.</li> <li>6. Check battery and connections.</li> <li>7. Replace fuse.</li> <li>8. Check for a bad starter or connections.</li> </ol>
<b>Engine stops.</b>	<ol style="list-style-type: none"> <li>1. Out of fuel.</li> <li>2. Fuel shut-off valve closed.</li> <li>3. Mechanical jam in blower rake or impeller.</li> <li>4. Polluted fuel supply.</li> <li>5. Faulty spark plug.</li> </ol>	<ol style="list-style-type: none"> <li>1. Fill fuel tank.</li> <li>2. Open fuel shut-off valve.</li> <li>3. Turn off engine, remove key, and wait for all moving parts to stop. Check for and remove obstruction and repair before restart.</li> <li>4. Replace with clean fuel.</li> <li>5. Replace or clean spark plug.</li> </ol>
<b>Engine problems.</b>	<ol style="list-style-type: none"> <li>1. See Engine Manual.</li> </ol>	
<b>Does not operate in Forward / Reverse.</b>	<ol style="list-style-type: none"> <li>1. Friction disc not adjusted properly.</li> <li>2. Traction belt not functioning.</li> <li>3. Speed selector not adjusted properly.</li> </ol>	<ol style="list-style-type: none"> <li>1. Repair or replace friction disc. See <i>Friction Disc Replacement</i> on page 30.</li> <li>2. Repair or replace traction drive belt. See <i>Traction Drive Belt Replacement</i> on page 30.</li> <li>3. Adjust speed selector. See <i>Speed Selector Adjustment</i> on page 26.</li> </ol>
<b>Small rubber beads collect in frame</b>	<ol style="list-style-type: none"> <li>1. Friction disc wear.</li> </ol>	<ol style="list-style-type: none"> <li>1. Normal friction disc wear. Chunks or large pieces of rubber mean friction disc should be checked and replaced as necessary.</li> </ol>
<b>Unit throws snow poorly or does not throw snow.</b>	<ol style="list-style-type: none"> <li>1. Shear bolts broken.</li> <li>2. Attachment clutch/brake not adjusted properly.</li> <li>3. Auger is frozen in place.</li> <li>4. Ice or debris is obstructing auger.</li> <li>5. Attachment drive belt slipping, worn or damaged.</li> </ol>	<ol style="list-style-type: none"> <li>1. Replace shear bolts (<i>see Shear Bolts</i> on page 23).</li> <li>2. Adjust attachment clutch/brake (<i>see Attachment Clutch/Brake Adjustment</i> on page 26).</li> <li>3. Move unit to a warm place to thaw.</li> <li>4. With the engine off and auger disengaged, check for obstructions and remove.</li> <li>5. Adjust or replace attachment drive belt (<i>see Attachment Clutch/Brake Adjustment</i> on page 26).</li> </ol>

## SPECIFICATIONS

Model Number	926001	926002	926003	926004	926005
Description	ST926LE	ST11528LE	ST1332LE	ST926DLE	ST11526DLE
<b>Engine</b> - Tecumseh	LH318SA	OH318SA	OH358SA	OH318SA	OH318SA
Power Max - HP (kW)	9.0 (6.7)	11.5 (8.6)	13.0 (9.7)	9.0 (6.7)	11.5 (8.6)
Fast Idle Speed - RPM (min <sup>-1</sup> )	3600 ± 150				
Displacement - in. (cc)	19.4 (318)	19.4 (318)	19.4 (318)	19.4 (318)	19.4 (318)
Electric Start	120V	120V	120V	120V	120V
Fuel	See Engine Manual				
Tank Capacity - qt (Liters)	4 (3.8)	4 (3.8)	4 (3.8)	4 (3.8)	4 (3.8)
Snow Clearing Width - in. (cm)	26 (66.0)	28 (71.2)	32 (81.3)	26 (66.0)	26 (66.0)
<b>Chute</b>					
Rotation Angle	200°				
Rotation Control at Handlebar	Yes				
Remote Deflector Control	Yes				
<b>Impeller</b>					
Diameter - in. (cm)	14 (35.6)				
Speed - RPM-Max (min <sup>-1</sup> )	1209				
<b>Auger</b>					
Diameter - in. (cm)	16 (40.6)				
Speed - RPM- Max (min <sup>-1</sup> )	121				
<b>Auger Brake</b>	Yes				
<b>Attachment Clutch</b>	Yes				
<b>Drive</b>	Disc-O-Matic				
Speeds	6 Forward and 2 Reverse				
<b>Lock Out Differential</b>	Pin-Lock	Remote Wheel Lock	Remote Wheel Lock	Remote Differential	Remote Differential
<b>Pneumatic Tires</b> - in. (cm)	15/5 x 6 (38.1/12.7 x 15.2)	15/5 x 6 (38.1/12.7 x 15.2)	16/6.5 x 8 (40.6/16.5 x 20.3)	16/6.5 x 8 (40.6/16.5 x 20.3)	16/6.5 x 8 (40.6/16.5 x 20.3)
<b>Size and Weight</b>					
Length - in. (cm)	61.5 (156)	61.5 (156)	61.5 (156)	61.5 (156)	61.5 (156)
Height - in. (cm)	45 (114.3)	45 (114.3)	45 (114.3)	45 (114.3)	45 (114.3)
Width - in. (cm)	28.5 (72.4)	30.5 (77.5)	34.5 (87.6)	28.5 (72.4)	28.5 (72.4)
Weight - lbs (Kg)	282 (127.9)	293 (132.9)	314 (142.4)	282 (127.9)	290 (131.5)

## SPECIFICATIONS

Model Number	926006	926101	926102	926103	926300	926301
Description	ST1328DLE	926LE	11528LE	1332LE	ST11526DLE	ST926DLE
<b>Engine</b> - Tecumseh	OH358SA	LH318SA	OH318SA	OH358SA	OH318SA	OH318SA
Power Max - HP (kW)	13.0 (9.7)	9.0 (6.7)	11.5 (8.6)	13.0 (9.7)	11.5 (8.6)	9.0 (6.7)
Fast Idle Speed - RPM (min <sup>-1</sup> )	3600 ± 150					
Displacement - in. (cc)	21.8 (358)	19.4 (318)	19.4 (318)	19.4 (318)	19.4 (318)	19.4 (318)
Electric Start	120V	120V	120V	120V	240V	240V
Fuel	See Engine Manual					
Tank Capacity - qt (Liters)	4 (3.8)	4 (3.8)	4 (3.8)	4 (3.8)	4 (3.8)	4 (3.8)
Snow Clearing Width - in. (cm)	28 (71.2)	26 (66.0)	28 (71.2)	32 (81.3)	26 (66.0)	26 (66.0)
<b>Chute</b>						
Rotation Angle	200°					
Rotation Control at Handlebar	Yes					
Remote Deflector Control	Yes					
<b>Impeller</b>						
Diameter - in. (cm)	14 (35.6)					
Speed - RPM-Max (min <sup>-1</sup> )	1209					
<b>Auger</b>						
Diameter - in. (cm)	16 (40.6)					
Speed - RPM- Max (min <sup>-1</sup> )	121					
<b>Auger Brake</b>	Yes					
<b>Attachment Clutch</b>	Yes					
<b>Drive</b>	Disc-O-Matic					
Speeds	6 Forward and 2 Reverse					
<b>Lock Out Differential</b>	Remote Differential	Pin-Lock	Remote Wheel Lock	Remote Wheel Lock	Remote Differential	Remote Differential
<b>Pneumatic Tires</b> - in. (cm)	16/6.5 x 8 (40.6/16.5 x 20.3)	15/5 x 6 (38.1/12.7 x 15.2)	15/5 x 6 (38.1/12.7 x 15.2)	16/6.5 x 8 (40.6/16.5 x 20.3)	16/6.5 x 8 (40.6/16.5 x 20.3)	16/6.5 x 8 (40.6/16.5 x 20.3)
<b>Size and Weight</b>						
Length - in. (cm)	61.5 (156)	61.5 (156)	61.5 (156)	61.5 (156)	61.5 (156)	61.5 (156)
Height - in. (cm)	45 (114.3)	45 (114.3)	45 (114.3)	45 (114.3)	45 (114.3)	45 (114.3)
Width - in. (cm)	30.5 (77.5)	28.5 (72.4)	30.5 (77.5)	34.5 (87.6)	28.5 (72.4)	28.5 (72.4)
Weight - lbs (Kg)	305 (138.4)	282 (127.9)	293 (132.9)	314 (142.4)	290 (131.5)	282 (127.9)

## SPECIFICATIONS

Model Number	926302	926303	926304	926500	926501	926504
Description	ST1332LE	ST1328LE	ST11528LE	ST1332DLE	ST1336DLE	ST8526LE
<b>Engine</b> - Tecumseh	OH358SA	OH358SA	OH318SA	OH358SA	OH358SA	LH318SA
Power Max - HP (kW)	13.0 (9.7)	13.0 (9.7)	11.5 (8.6)	13.0 (9.7)	13.0 (9.7)	8.5 (6.3)
Fast Idle Speed - RPM (min <sup>-1</sup> )	3600 ± 150					
Displacement - in. (cc)	21.8 (358)	21.8 (358)	19.4 (318)	21.8 (358)	21.8 (358)	19.4 (318)
Electric Start	240V	240V	240V	12V	12V	240V
Fuel	See Engine Manual					
Tank Capacity - qt (Liters)	4 (3.8)	4 (3.8)	4 (3.8)	4 (3.8)	4 (3.8)	4 (3.8)
Snow Clearing Width - in. (cm)	32 (81.3)	28 (71.2)	28 (71.2)	32 (81.3)	36 (91.4)	26 (66.0)
<b>Chute</b>						
Rotation Angle	200°					
Rotation Control at Handlebar	Yes					
Remote Deflector Control	Yes					
<b>Impeller</b>						
Diameter - in. (cm)	14 (35.6)					
Speed - RPM-Max (min <sup>-1</sup> )	1209					
<b>Auger</b>						
Diameter - in. (cm)	16 (40.6)					
Speed - RPM- Max (min <sup>-1</sup> )	121					
<b>Auger Brake</b>	Yes					
<b>Attachment Clutch</b>	Yes					
<b>Drive</b>	Disc-O-Matic					
Speeds	6 Forward and 2 Reverse					
<b>Lock Out Differential</b>	Remote Wheel Lock	Remote Wheel Lock	Remote Wheel Lock	Remote Differential	Remote Differential	Pin-Lock
<b>Pneumatic Tires</b> - in. (cm)	16/6.5 x 8 (40.6/16.5 x 20.3)	15/5 x 6 (38.1/12.7 x 15.2)	15/5 x 6 (38.1/12.7 x 15.2)	16/6.16/6.5 x 8 (40.6/16.5 x 20.3)	16/6.5 x 8 (40.6/16.5 x 20.3)	15/5 x 6 (38.1/12.7 x 15.2)
<b>Size and Weight</b>						
Length - in. (cm)	61.5 (156)	61.5 (156)	61.5 (156)	61.5 (156)	61.5 (156)	61.5 (156)
Height - in. (cm)	45 (114.3)	45 (114.3)	45 (114.3)	45 (114.3)	45 (114.3)	45 (114.3)
Width - in. (cm)	34.5 (87.6)	30.5 (77.5)	30.5 (77.5)	34.5 (87.6)	38.5 (97.8)	28.5 (72.4)
Weight - lbs (Kg)	314 (142.4)	309 (140.1)	293 (132.9)	335 (151.9)	356 (161.5)	282 (127.9)

## SPECIFICATIONS

Model Number	926007	926008	926009	926010	926011	926012
Description	ST926LE	ST926DLE	ST11528LE	ST11526DLE	ST1332LE	ST1328DLE
<b>Engine - Briggs</b>	20A1140120E1	20B4140121E1	21C3140116E1	21C3140116E1	21B4140117E1	21B4140117E1
Power Max - HP (kW)	9.5 (7.0)	9.5 (7.0)	11.5 (8.6)	11.5 (8.6)	13.0 (9.7)	13.0 (9.7)
Fast Idle Speed - RPM (min <sup>-1</sup> )	3600 ± 100					
Displacement - in. (cc)	18.64 (305)	18.64 (305)	20.85 (342)	20.85 (342)	20.85 (342)	20.85 (342)
Electric Start	120V	120V	120V	120V	120V	120V
Fuel	See Engine Manual					
Tank Capacity - qt (Liters)	4 (3.8)	4 (3.8)	4 (3.8)	4 (3.8)	4 (3.8)	4 (3.8)
Snow Clearing Width - in. (cm)	26 (66.0)	26 (66.0)	28 (71.2)	26 (66.0)	32 (81.3)	28 (71.2)
<b>Chute</b>						
Rotation Angle	200°					
Rotation Control at Handlebar	Yes					
Remote Deflector Control	Yes					
<b>Impeller</b>						
Diameter - in. (cm)	14 (35.6)					
Speed - RPM-Max (min <sup>-1</sup> )	1209					
<b>Auger</b>						
Diameter - in. (cm)	16 (40.6)					
Speed - RPM- Max (min <sup>-1</sup> )	121					
<b>Auger Brake</b>	Yes					
<b>Attachment Clutch</b>	Yes					
<b>Drive</b>	Disc-O-Matic					
Speeds	6 Forward and 2 Reverse					
<b>Lock Out Differential</b>	Pin-Lock	Remote Differential	Remote Wheel Lock	Remote Differential	Remote Wheel Lock	Remote Differential
<b>Pneumatic Tires - in. (cm)</b>	15/5 x 6 (38.1/12.7 x 15.2)	16/6.5 x 8 (40.6/16.5 x 20.3)	15/5 x 6 (38.1/12.7 x 15.2)	16/6.5 x 8 (40.6/16.5 x 20.3)	16/6.5 x 8 (40.6/16.5 x 20.3)	16/6.5 x 8 (40.6/16.5 x 20.3)
<b>Size and Weight</b>						
Length - in. (cm)	61.5 (156)	61.5 (156)	61.5 (156)	61.5 (156)	61.5 (156)	61.5 (156)
Height - in. (cm)	45 (114.3)	45 (114.3)	45 (114.3)	45 (114.3)	45 (114.3)	45 (114.3)
Width - in. (cm)	28.5 (72.4)	28.5 (72.4)	30.5 (77.5)	28.5 (72.4)	34.5 (87.6)	30.5 (77.5)
Weight - lbs (Kg)	264.8 (120.1)	264.8 (120.1)	282 (127.9)	279 (126.5)	298 (135.2)	289 (131.0)



Ariens Company  
655 West Ryan Street  
P.O. Box 157  
Brillion, WI 54110-0157  
920-756-2141  
Fax 920-756-2407  
[www.ariens.com](http://www.ariens.com)

**⚠ WARNING ⚠**

The engine exhaust from this product contains chemicals known to the State of California to cause cancer, birth defects or other reproductive harm.