

GENERATOR

EZ1200
EZ1400
EZ1800
EZ2200
EZ2500

PARTS CATALOGUE

4



EZ1200



EZ1400



EZ1800



EZ2500

FOREWORD INDEX

1

ENGINE GROUP

2

FRAME GROUP

3

PART NUMBER INDEX

4

PART NAME INDEX

5

Instruction for use of parts catalogue

- **This parts catalogue was prepared based on the latest information available as of May 01, 2004.**
- See the parts catalogue news for any revision that is made after May 01, 2004.
- **Always specify the part number when ordering a part.**
- Check the model, type, serial numbers, color, maker, and the size as needed before ordering a part.
- Note that the illustrations (part drawings) can differ from the actual parts in shape. They are given just to help you to refer to the parts.
- **When modifications or additions to this parts catalogue are made, a revised edition will be issued at an appropriate time, with successively progressing revision numbers on the cover. We recommend obtaining such revisions in order to keep your parts catalogue up-to-date at all times. To check whether a parts catalogue revision has been issued, please contact your Honda distributor.**

Initial version issue date **December 01, 1995**
Honda Motor Co., Ltd.

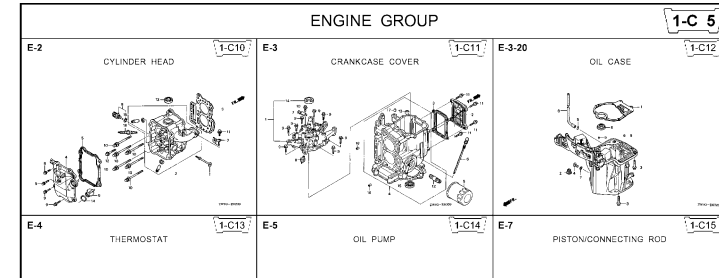
CONTENTS

	Page	Address No.	
● How to refer to the part information	2	B 2	1
● Part catalogue structure	3	B 3	
● When the parts were revised	4	B 4	
● Abbreviations used in the parts catalogue.....	4	B 4	
● How to check the part block and serial numbers.....	5	B 5	
● Models, parts catalogue codes and applicable serial numbers	6	B 6	
● Features of each type.....	8	B 8	
● Fuel hose, general purpose hoses and vinyl hose.....	9	B 9	
● How to use the flat rate time (F.R.T.)	10	B10	
● Illustrated index	12	B12	
● ENGINE GROUP.....	16	C 1	2
● FRAME GROUP.....	39	E 1	3
● PART NO. INDEX.....	57	G 1	4
● PART NAME INDEX.....	60	H 1	5



How to refer to the part information

A Reference with "Illustrated index"



B Reference with "Part number index"

PART NO. INDEX

Part Number	Address	Page	Ref.	Part Number	Address	Page
06000				15212-ZW9-000	1-C14	3C
06316-ZW9-000	1-G9	88	1	15220-ZW9-003	1-C14	3C
11000				15332-ZW9-000	1-E8	55
11300-ZW9-405	1-C11	27	1	15332-ZW9-A30	1-E11	5E
11300-ZW9-406	1-C11	27	1	15400-PFB-004	1-C11	27
11340-ZW9-000	1-C11	27	2	15422-ZW9-000	1-C14	3C
11342-ZW9-000	1-C11	27	3	15473-881-000	1-C14	3C
11381-ZW9-003	1-C12	28	1	15474-ZW9-000	1-C14	3C
				15611-921-000	1-C10	2E
				15655-ZW9-000	1-C11	27
				16000		
12000				16010-ZV4-005	1-D4	3E
12000-ZW9-405ZA	1-C11	27	4	16011-ZV4-005	1-D4	3E
12155-ZV4-A00	1-C13	29	1	16013-ZW9-003	1-D4	3E
12166-ZW9-000	1-C10	26	1	16016-ZW9-003	1-D4	3E
12209-GB4-681	1-C16	32	1	16016-ZW9-721	1-D4	3E
12210-ZW9-405ZA	1-C10	26	2	16023-ZW9-003	1-D4	3E
12216-ZE2-300	1-E8	55	1	16024-ZV4-650	1-D4	3E
	1-E11	58	1	16028-ZV4-650	1-D4	3E

C Reference with "Part name index"

PART NAME INDEX

Part name	Address	Page	Ref.
[A]			
ABSORBER , FUEL	1-E15	62	5
ARMATURE COMP.	1-D11	43	7
ARM COMP. , LINK JOINT	1-G6	85	18
ARM COMP. , SHIFT LINK	1-G6	85	14
ARM COMP. , TILT	1-F15	79	20
ARM , FUEL PUMP ROCKER	1-C16	32	4
ARM , REVERSE LOCK	1-F15	79	18
ARM , SHIFT LINK	1-F11	74	7
ARM , STOPPER	1-D1	33	12
ARM , THROTTLE REMOTE	1-F11	74	6
ARM , VALVE ROCKER	1-C16	32	3
[B]			
BAG , TOOL , 160MM	1-G5	84	10
BAND	1-G6	86	37
BAND B1 , WIRE	1-F6	69	1
BAND , CORD	1-F3	67	18
BAND , TUBE CLIP , 11MM	1-E15	63	20
BAND , TUBE CLIP , 12.5MM	1-E15	63	19

Address No. 1-C10

E-2 CYLINDER HEAD

Block No.

Ref No.

ZW83-EG200

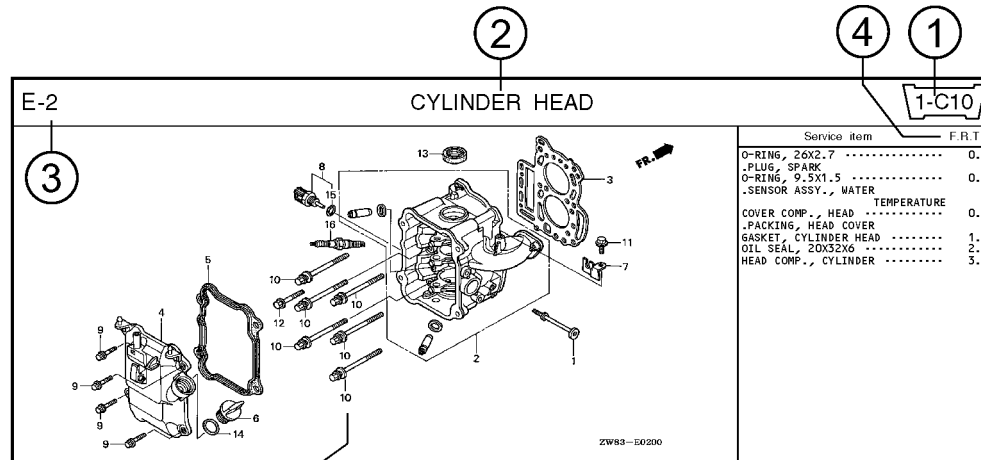
Ref. No.	Part No.	Description	Reqd. QTY						Serial No.	Parts catalogue code
			9901	9901	1001	1001	1001	1001		
1	12166-ZW9-000	STOPPER, ENGINE SIDE	2	2	2	2	2			
2	12210-ZW9-000ZA	HEAD COMP., CYLINDER	1	1	1	1	1			
3	12251-ZW9-003	GASKET, CYLINDER HEAD	1	1	1	1	1			
4	12310-ZW9-000	COVER COMP., HEAD	1	1	1	1	1			
5	12312-ZW9-000	PACKING, HEAD COVER	1	1	1	1	1			
6	15611-921-000	CAP, OIL (NO GAUGE)	1	1	1	1	1			
7	16617-ZW9-000	HOLDER, CABLE	1	1	1	1	1	SC,SG		
	16617-ZW9-010		1	1	1	1	1	1001800 LHC,LHD		
			1	1	1	1	1	1001801	LHC,LHD	
8	35673-ZW5-003	SENSOR ASSY., WATER	1	1	1	1	1			
9	90003-ZW9-000	BOLT, FLANGE, 6X22	4	4	4	4	4			
10	90007-ZW9-003	BOLT, FLANGE, 8X83	6	6	6	6	6			
11	90011-ZW9-000	BOLT, FLANGE, 6X14(CT200)	1	1	1	1	1			
12	90009-ZW9-000	BOLT, FLANGE, 8X40	2	2	2	2	2			
13	91305-K49-003	OIL SEAL, 20X32X6	1	1	1	1	1			
14	91301-805-000	O-RING, 26X2.7	1	1	1	1	1			
15	91307-PK2-005	O-RING, 9.5X1.5(HONDA KIKAKI)	1	1	1	1	1			
16	98059-55916	PLUG, SPARK (CR5EH-9)	2	2	2	2	2			
	98059-55926	PLUG, SPARK (U16FER9)	2	2	2	2	2			

Service item F.R.T.

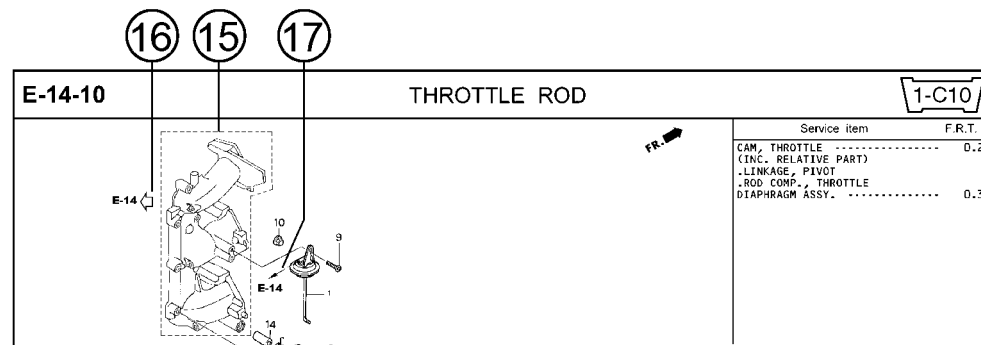
- O-RING, 26X2.7 0.1
- PLUG, SPARK 0.2
- O-RING, 9.5X1.5 0.2
- SENSOR ASSY., WATER 0.3
- COVER COMP., HEAD 0.3
- PACKING, HEAD COVER 1.8
- GASKET, CYLINDER HEAD 2.4
- OIL SEAL, 20X32X6 2.4
- HEAD COMP., CYLINDER 3.1

Page No. 2004.09.20 E

Part catalogue structure



Ref. No.	Part No.	Description	Reqd. QTY						Serial No.	Parts catalogue code
			BF 93D1	BFP 93D1	BF 10D1	BFP 10D1	BF 10B1	BFP 10B1		
1	12166-zw9-000	STOPPER, ENGINE SIDE	2	2	2	2	2	2		
2	12210-zw9-000ZA	HEAD COMP., CYLINDER *NH8*	1	1	1	1	1	1		
3	12251-zw9-003	GASKET, CYLINDER HEAD	1	1	1	1	1	1		
4	12310-zw9-000	COVER COMP., HEAD	1	1	1	1	1	1		
5	12312-zw9-000	PACKING, HEAD COVER	1	1	1	1	1	1		
6	15611-921-000	CAP, OIL (NO GAUGE)	1	1	1	1	1	1		
7	16617-zw9-000	HOLDER, CABLE	1	1	1	1	1	1	SC,SG	
	16617-zw9-010		1	1	1	1	1	1	1001800 LHC,LHD	



① Address number

- Address No. is provided (in place of the page No.) to help you refer to the part with the part No. or part name.

② Block title ③ Block number

④ Service item/Flat rate time

⑤ Reference number

- Title number marked with the parenthesis or parentheses indicates that it continues from the previous page.

⑥ Part number ⑦ Honda color code

⑧ Description

⑨ Assemblies

- Sections framed with broken lines in the exploded view drawings are available as complete assemblies. (Their individual parts can also be obtained.)

⑩ Color description

⑪ Note

- Notes are shown with the parentheses in the part name column.

⑫ Required quantity

- Required QTY shown in the parenthesis or parentheses indicates the optional part.
- Required QTY marked with "N" Indicates the optional part that should be selected as needed.
- Required QTY indicates the number of the part used in the block.

⑬ Serial number

⑭ Type

- When the type column is blank, it indicates that the part is applicable to all types.
- As the type of the actual unit may differ from the "parts catalogue, type" please refer to "Models, types and applicable serial numbers" for confirmation.

⑮

- Parts enclosed within a dotted line are covered in a different block.

⑯

- A hollow arrow indicates the block No. for the parts enclosed within a dotted line .

⑰

- A solid arrow indicates the block No. the part in question is connected to.

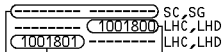
When the parts were revised



Be sure to check the serial number!!



Ref. No.	Part No.	Description	Reqd. QTY						Serial No.
			BF 9.9D1	BFP 9.9D1	BF 10D1	BFP 10D1	BF 10B1	BFP 10B1	
1	12166-ZW9-000	STOPPER, ENGINE SIDE	2	2	2	2	2	2	
2	12210-ZW9-000ZA	HEAD COMP., CYLINDER							
		NH8.....DARK GRAY	1	1	1	1	1	1	
3	12251-ZW9-003	GASKET, CYLINDER HEAD	1	1	1	1	1	1	
4	12310-ZW9-000	COVER COMP., HEAD	1	1	1	1	1	1	
5	12312-ZW9-000	PACKING, HEAD COVER	1	1	1	1	1	1	
6	15611-921-000	CAP, OIL (NO GAUGE)	1	1	1	1	1	1	
7	16617-ZW9-000	HOLDER, CABLE (###)	1	1	1	1	1	1	
	16617-ZW9-010		1	1	1	1	1	1	



The number has been used from the initial model without revision. When shown at the left side, it is applicable to the models of No.1001801 and the subsequent numbers. When shown at the right side, it is applicable to the models up to No.1001800.

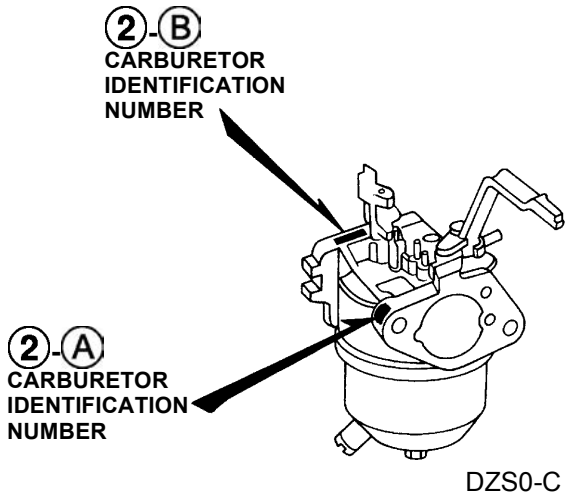
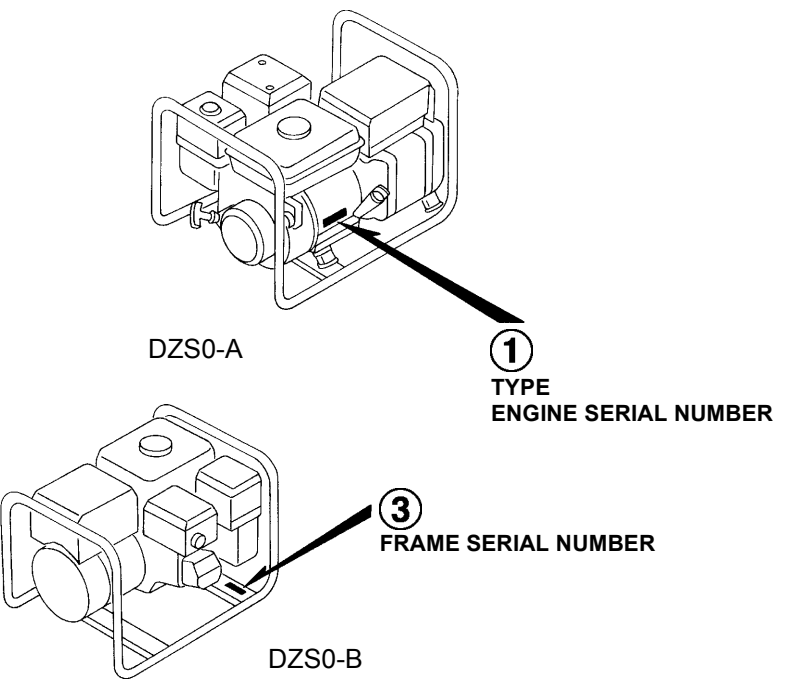
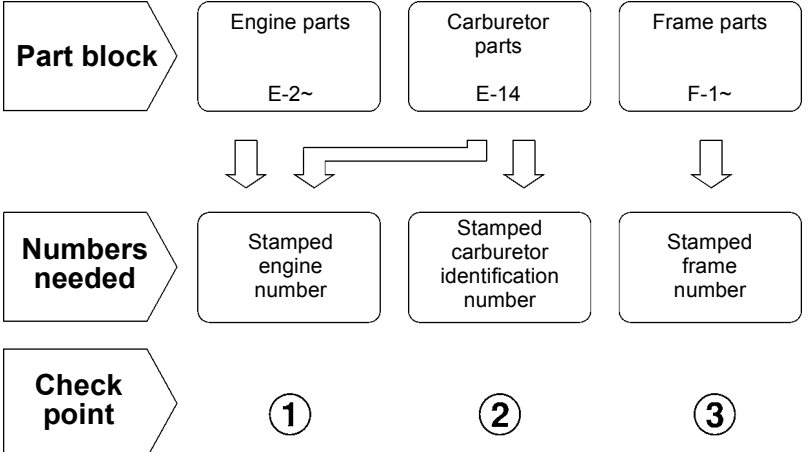
• The parts listed with "###" at the end of the parts name have limited supply period (parts not for sale).

Abbreviations used in the parts catalogue

• The following abbreviations are used in the parts name column.

- A Ampere
- A.C. Alternating current
- ASSY. Assembly
- AT. Automatic transmission
- C.D.I. Capacitive discharge ignition
- COMP. ... Complete
- D.C. Direct current
- EX. Exhaust
- G.F.C.I ... Ground fault circuit interruptor
- HEX. Hexagonal
- H.S.T. Hydrostatic transmission
- FR.Front
- IN.Inlet
- L (100L) .Link (100 Links)
- L.Left
- MMMillimeter
- MT.Manual Transmission
- P.T.O.Power take off
- R.Right
- RR.Rear
- STD.Standard
- T (22T) ...Tooth (22 Teeth)
- VVolt
- WWatt

How to check the part block and serial numbers



Models, parts catalogue codes and applicable serial numbers

- Models, parts catalogue codes and applicable serial Nos. given in this parts catalogue can be identified as follows.

Model	Type	Parts catalogue type	Engine		Applicable engine serial No.	Applicable frame serial No.	Applicable carburetor identification No.	
			Model	Type				
EZ1200	U	U	GX120K1	EY1F	GC01-2000001 ~3553150	EZEY-1000001 ~1099999	BE12D A/B	
EZ1400	L	L		EY1	GC01-2000001 ~4299999	EZEY-1000001 ~1029999	BE12D A/B BE60J B	
		L/A			GC01-4300001~	EZEY-1030001~	BE60J B	
	LS	LS			GC01-2000001 ~4299999	EZEY-1000001 ~1029999	BE12D A/B BE60J B	
		LS/A			GC01-4300001~	EZEY-1030001~	BE60J B	
	M	M			EY1F	GC01-2000001 ~3553150	EZEY-1000001 ~1099999	BE12D A/B
	R	R				GC01-2000001 ~4299999	EZEY-1000001 ~1029999	BE12D A/B BE60J B
		R/A		GC01-4300001~	EZEY-1030001~	BE60J B		
	S	S		EY1	GC01-2000001 ~4299999	EZEY-1000001 ~1029999	BE12D A/B BE60J B	
		S/A			GC01-4300001~	EZEY-1030001~	BE60J B	
	EZ1800	C		C	EY2	GC02-2000001 ~8669999	EZEH-1000001 ~1019999	BE06K A/B BE65E B
C/A				GC02-8670001~		EZEH-1020001~	BE65E B	
L		L		EY1	GC02-2000001 ~8669999	EZEH-1000001 ~1019999	BE06K A/B BE65E B	
		L/A			GC02-8670001~	EZEH-1020001~	BE65E B	
R		R	EY1F	GC02-2000001 ~8669999	EZEH-1000001 ~1019999	BE06K A/B BE65E B		
		R/A		GC02-8670001~	EZEH-1020001~	BE65E B		
S		S	EY1	GC02-2000001 ~8669999	EZEH-1000001 ~1019999	BE06K A/B BE65E B		
		S/A		GC02-8670001~	EZEH-1020001~	BE65E B		
				GX160K1				

Model	Type	Parts catalogue type	Engine		Applicable engine serial No.	Applicable frame serial No.	Applicable carburetor identification No.
			Model	Type			
EZ2200	G	G	GX160K1	EY1F	GC02-2000001 ~8669999	EZEJ-1000001 ~1099999	BE06K B BE65E B
		G/A			GC02-8670001~	EZEJ-1100001~	BE65E B
	U	U			GC02-2000001 ~8669999	EZEJ-1000001 ~1099999	BE06K A/B BE65E B
		U/A			GC02-8670001~	EZEJ-1100001~	BE65E B
EZ2500	C	C		EY2	GC02-2000001 ~8669999	EZEJ-1000001 ~1099999	BE06K A/B BE65E B
		C/A			GC02-8670001~	EZEJ-1100001~	BE65E B
	L	L		EY1	GC02-2000001 ~8669999	EZEJ-1000001 ~1099999	BE06K A/B BE65E B
		L/A			GC02-8670001~	EZEJ-1100001~	BE65E B
	LS	LS			GC02-2000001 ~8669999	EZEJ-1000001 ~1099999	BE06K A/B BE65E B
		LS/A			GC02-8670001~	EZEJ-1100001~	BE65E B
	M	M		EY1F	GC02-2000001 ~8669999	EZEJ-1000001 ~1099999	BE06K A/B BE65E B
		M/A			GC02-8670001~	EZEJ-1100001~	BE65E B
	R	R	GC02-2000001 ~8669999		EZEJ-1000001 ~1099999	BE06K A/B BE65E B	
		R/A	GC02-8670001~		EZEJ-1100001~	BE65E B	
	S	S	EY1	GC02-2000001 ~8669999	EZEJ-1000001 ~1099999	BE06K A/B BE65E B	
		S/A		GC02-8670001~	EZEJ-1100001~	BE65E B	

* Of carburetor identification numbers, only the portions underlined in the example below are used for registration.

BE 12D A KC ナ
 (A) (B)

Features of each type

1

• See the following table for the features of each type.

Specifications		Model	EZ1400					EZ1800				
		Type	U	L	LS	M	R	S	C	L	R	S
Voltage	110V/220V			●								
	120V		●					●	●			
	220V				●	●	●			●	●	
	230V											
	240V	●										
Frequency	50Hz	●			●	●				●		
	60Hz		●	●			●	●	●		●	

Specifications		Model	EZ2200		EZ2500					
		Type	G	U	C	L	LS	M	R	S
Voltage	110V/220V					●				
	120V				●	●				
	220V						●	●	●	
	230V	●								
	240V		●							
Frequency	50Hz	●	●				●	●		
	60Hz			●	●	●			●	

Fuel hose, general purpose hoses and vinyl hose

- The standard part fuel hose, general purpose hose and vinyl hose may be substituted by the coiled bulk part.
- When ordering the standard part fuel hose, general purpose hose and vinyl hose use the bulk part number written in the parts catalog in brackets () underneath the part name.
- When exchanging the hose, cut and use at the specified length as mentioned in the part name.
(For the method of cutting the bulk part, and method of filling out orders etc., please refer to the instructions issued with the bulk part.)

Bulk part number of fuel hose, general purpose hose and vinyl hose.

Example: 9 5 0 0 1 - 7 5 0 0 1 - 5 0 M

Bulk part number:
Refers to the bulk part.

Marking code (fuel hose and general purpose hose)

Change code (Vinyl hose)

Indicates number mark or change sequence, however, the code for the bulk part must be strictly 0 (zero).

Types of code:

- | | | | | | |
|-------------|--|----------------|--|--------------|---|
| • Fuel hose | 2: Red outside braid
(3 mm inside dia. only) | • General hose | 1: Ash gray
2: Ash gray
3: Black
5: Black | • Vinyl hose | 1: Clear
2: Black
3: Light red
6: Light red
7: Pale black |
| | 5: Black inside braid | | | | |
| | 3: Red (3 mm inside dia. only) | | | | |
| | 4: Ash gray with red stripe
(3 mm inside dia. only) | | | | |
| | 6: Black | | | | |

Lengths:

- 001: 1 m (standard)
003: 3 m
008: 8 m } Application or specification of some parts is not settled.

I.D code: (fuel hose and general purpose hose)

- | | | | | |
|------------|--------------------|--------------------|-----------------------------|-----------------------------|
| 30: 3.0 mm | 50: 5.0 mm | 70: 7.0 mm | 11: 11 mm | 12: 12 (outside dia. 17) mm |
| 35: 3.5 mm | 55: 5.3 mm, 5.5 mm | 75: 7.3 mm, 7.5 mm | 91: 12 (outside dia. 15) mm | 14: 14 mm |
| 45: 4.5 mm | 65: 6.5 mm | 80: 8.0 mm | 92: 12 (outside dia. 16) mm | 17: 17 mm |

ID./OD. code: (vinyl hose)

- | | | | | |
|-------------------------|--------------------------|---------------------------|---------------------------|---------------------------|
| 01: ID. 2.9, OD. 6.8 mm | 12: ID. 5.0, OD. 7.0 mm | 21: ID. 8.0, OD. 9.0 mm | 37: ID. 11.0, OD. 15.0 mm | 50: ID. 16.0, OD. 19.0 mm |
| 03: ID. 3.0, OD. 6.0 mm | 10: ID. 5.0, OD. 8.0 mm | 23: ID. 8.0, OD. 12.0 mm | 38: ID. 12.0, OD. 13.0 mm | 55: ID. 17.5, OD. 20.5 mm |
| 05: ID. 3.5, OD. 6.5 mm | 11: ID. 5.0, OD. 9.0 mm | 25: ID. 9.0, OD. 11.0 mm | 39: ID. 12.0, OD. 14.0 mm | 60: ID. 22.0, OD. 27.0 mm |
| 07: ID. 4.0, OD. 7.0 mm | 14: ID. 6.0, OD. 9.0 mm | 27: ID. 9.0, OD. 13.0 mm | 40: ID. 12.0, OD. 16.0 mm | |
| 08: ID. 4.5, OD. 6.5 mm | 17: ID. 7.0, OD. 9.0 mm | 33: ID. 10.0, OD. 14.0 mm | 43: ID. 13.0, OD. 15.0 mm | |
| 09: ID. 4.5, OD. 8.0 mm | 19: ID. 7.0, OD. 11.0 mm | 36: ID. 11.0, OD. 13.0 mm | 45: ID. 14.0, OD. 18.0 mm | |

Hose type:

- 1: Fuel hose
3: Vinyl hose
5: General hose

⊙ **CAUTION: It is DANGEROUS to confuse the fuel hose with the general purpose hose or vinyl hose.**

Never use a general purpose hose or vinyl hose in place of a fuel hose or vice versa. Always use the correct bulk part in the parts catalogue, according to the service manual or the instructions issued with the bulk part.

How to use the flat rate time (F.R.T.)

This F.R.T. (Flat Rate Time) is used to determine the standard labor time allowed for replacement of parts covered by the warranty during the period the warranty is in effect. The F.R.T. for those parts which are not listed herein should be determined from the operation closely related to the replacement of that part.

1. The F.R.T. is based on the following servicing conditions

- a. A liberal allowance is added to the net servicing time.
- b. Standard times specified are based on the condition that the necessary servicing tools listed in the service manual which describes the Honda service policy are available close at hand and the work performed by a mechanic with normal skill.
- c. Time required for inspection and operational test following the servicing is included in the F.R.T.
- d. The F.R.T. for “•” marked parts are same as the F.R.T. for the representative part above.
- e. The F.R.T. shown with (*) includes engine removal and installation.

2. Method of computing

The job times are listed in tenth of an hour to simplify computation.

(Example) 0.3 = 18 minutes
5.6 = 5 hours and 36 minutes

CONVERSION CHART			
Hours	Minutes	Hours	Minutes
0.1	6	0.6	36
0.2	12	0.7	42
0.3	18	0.8	48
0.4	24	0.9	54
0.5	30	1.0	60

3. Computing the F.R.T.

The following are only examples and do not reflect the actual F.R.T. for this product.

When several jobs are performed at the same time, make the calculation in the following manner.

a. Jobs of non duplicated nature

The F.R.T. for the job is obtained by totalling the F.R.T. for each part replaced.

(Example) Replacement of head cover gasket and oil filter.

Service item	F.R.T.
Packing, cylinder head cover	0.5
Cartridge, oil filter	0.5

The F.R.T. for the job is: 0.5 + 0.5 = 1.0

b. Jobs of duplicated nature

Take the F.R.T. for the last part to be replaced.

(Example) Replacement of piston and cylinder head gasket.

Service item	F.R.T.
Gasket comp., cylinder head	3.0
Piston	*5.0

The F.R.T. for the job is: 5.0

c. Jobs of partially related nature

Total up the F.R.T. for all of the parts replaced and then subtract the F.R.T. for the duplicated operation (i.e., cylinder head gasket service).

(Example) Replacement of valve and cylinder head.

Service item	F.R.T.
Valve	*3.0
Head assy., cylinder	*4.0
Gasket comp., cylinder head	*2.5

The F.R.T. for the job is: (3.0 + 4.0) - 2.5 = 4.5

- The F.R.T. shown with (*) includes engine removal and installation.
- The parts, having the same number of man-hour, are identified by a mark “*”, and classified under the title of their representative work.

4. Adjustment, cleaning, removal and installation

Item	Service item	F.R.T.
Adjustment	Valve clearance	0.4
	Carburetor	0.2
	Governor	0.2
Cleaning	Carburetor	0.6
	Air cleaner element	0.2
	Spark arrester	0.2
	Spark plug	0.1
Removal and installation	Engine, Generator	0.4

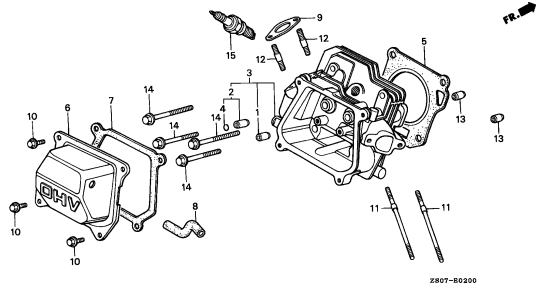
ENGINE GROUP

B12

E-2

CYLINDER HEAD

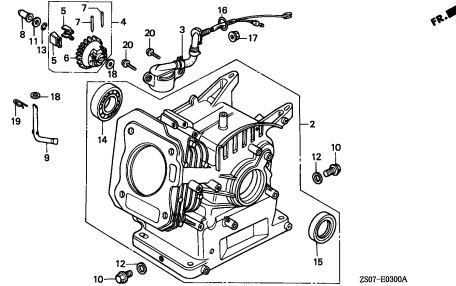
C 1



E-3

CYLINDER BARREL

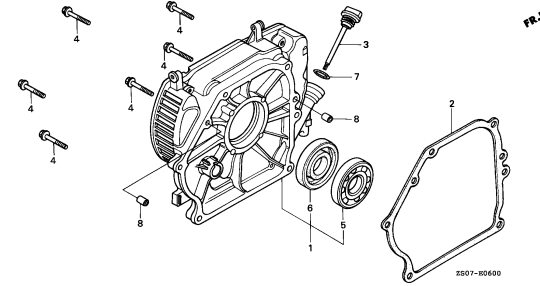
C 2



E-6

CRANKCASE COVER

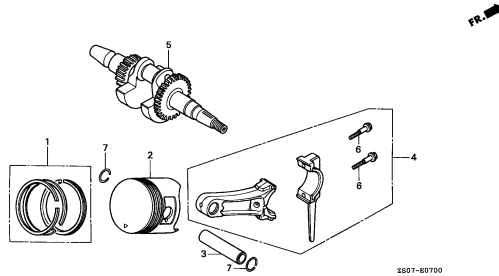
C 4



E-7

CRANKSHAFT/PISTON

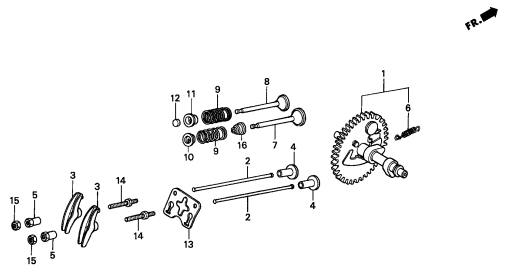
C 5



E-9

CAMSHAFT

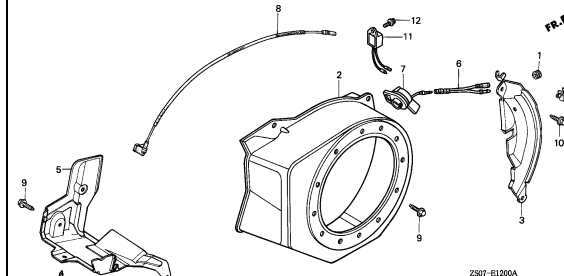
C 9



E-12

FAN COVER

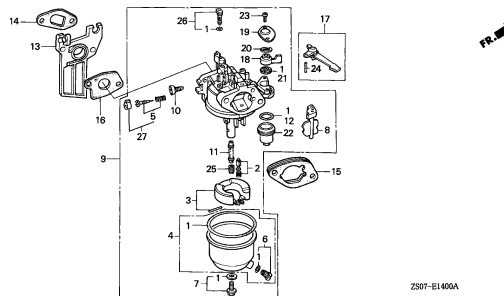
C11



E-14

CARBURETOR

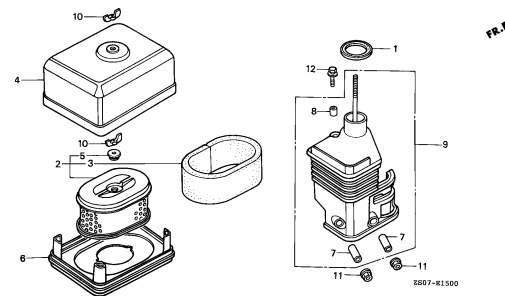
C13



E-15

AIR CLEANER

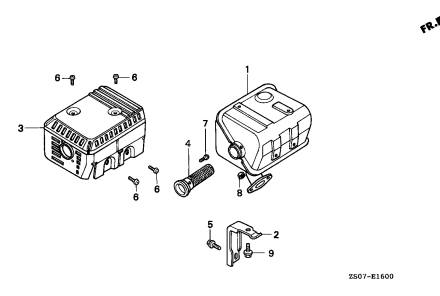
C15



E-16

MUFFLER

C16



2

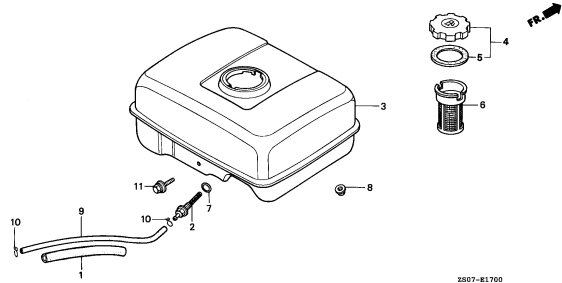
ENGINE GROUP

B13

E-17

FUEL TANK

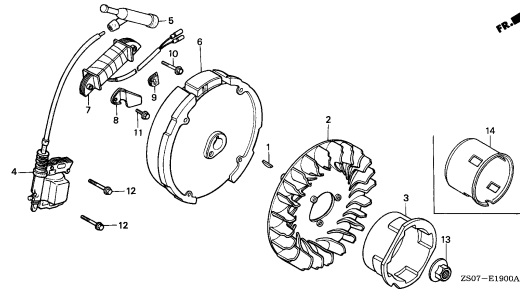
D 1



E-19

FLYWHEEL

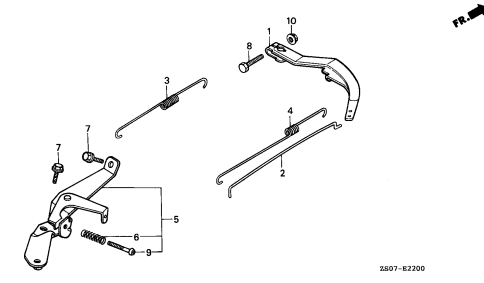
D 3



E-22

CONTROL

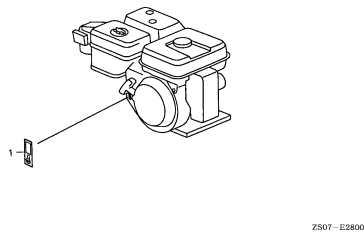
D 5



E-28

LABEL

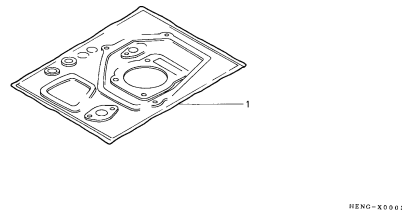
D 6



EOP-1

GASKET KIT

D 7



2

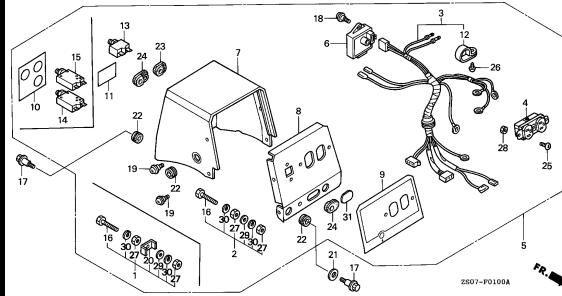
FRAME GROUP

B14

F-1

CONTROL BOX(1)

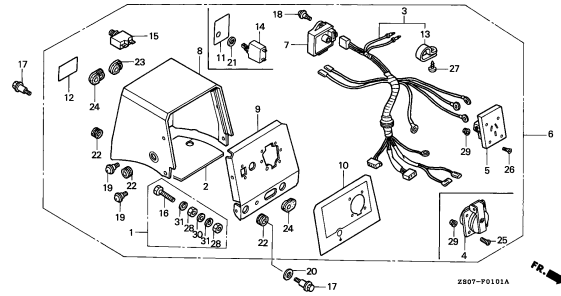
E 1



F-1-1

CONTROL BOX(2)

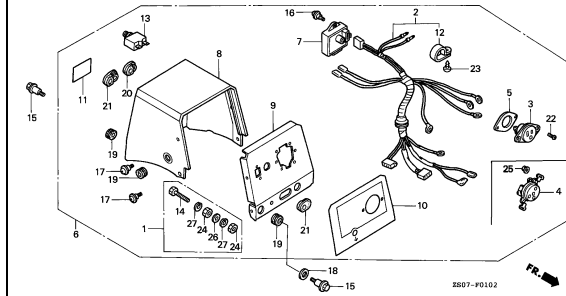
E 4



F-1-2

CONTROL BOX(3)

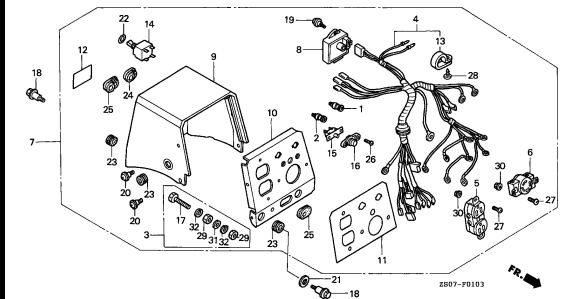
E 6



F-1-3

CONTROL BOX(4)

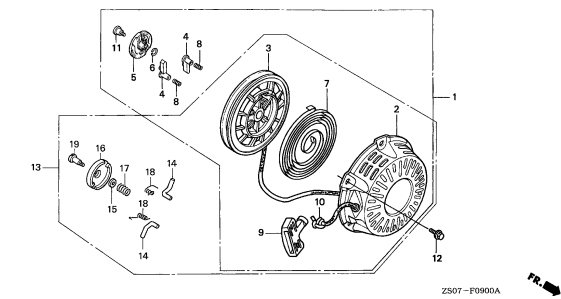
E 8



F-9

RECOIL STARTER

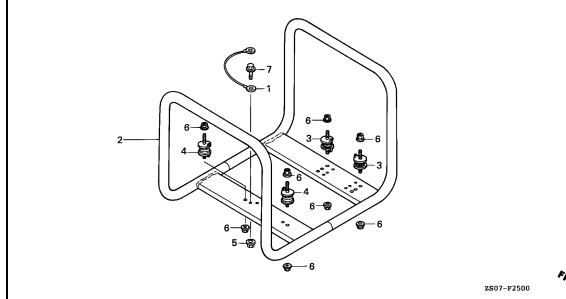
E10



F-25

FRAME

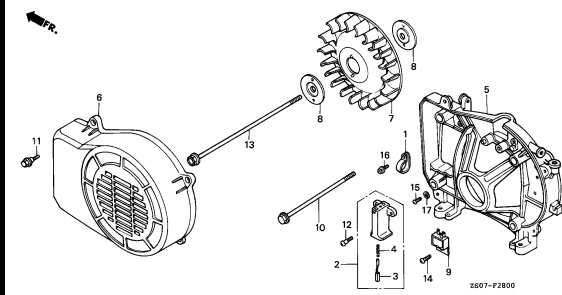
E12



F-28

REAR HOUSING

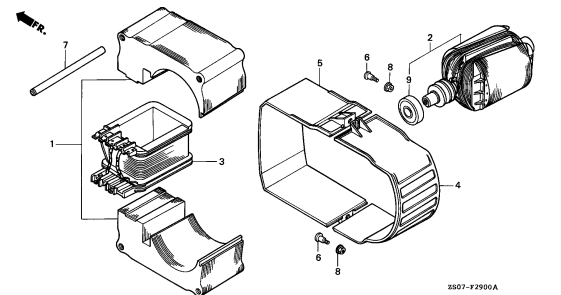
E13



F-29

ROTOR/STATOR

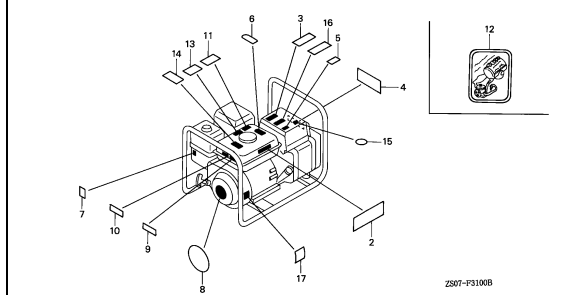
E14



F-31

LABEL

E16



3

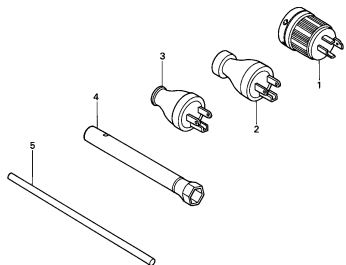
FRAME GROUP

B15

F-32

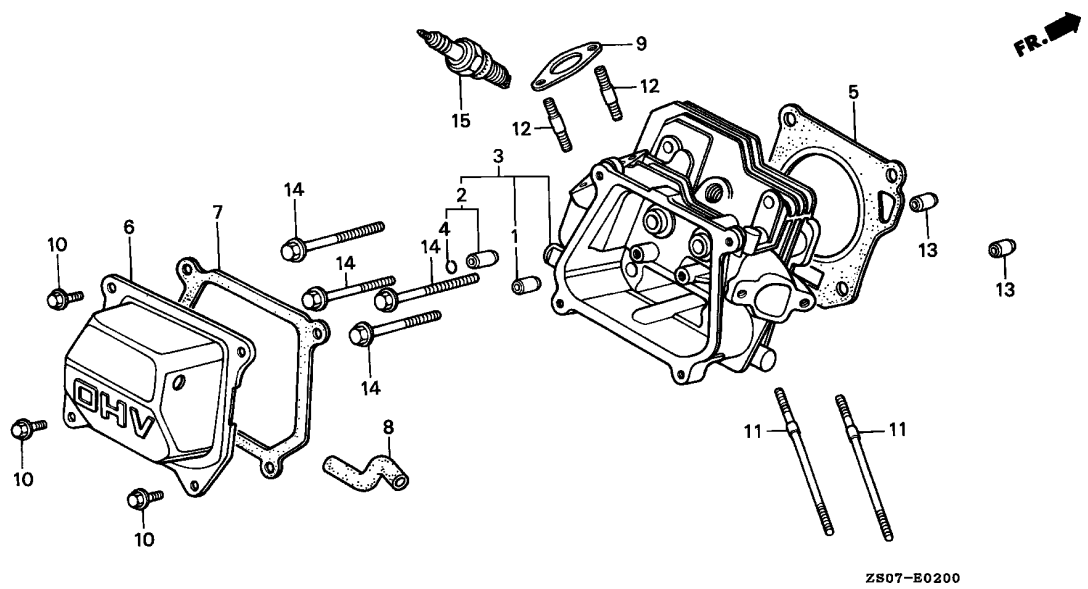
F 2

TOOL



8507-F3200

3



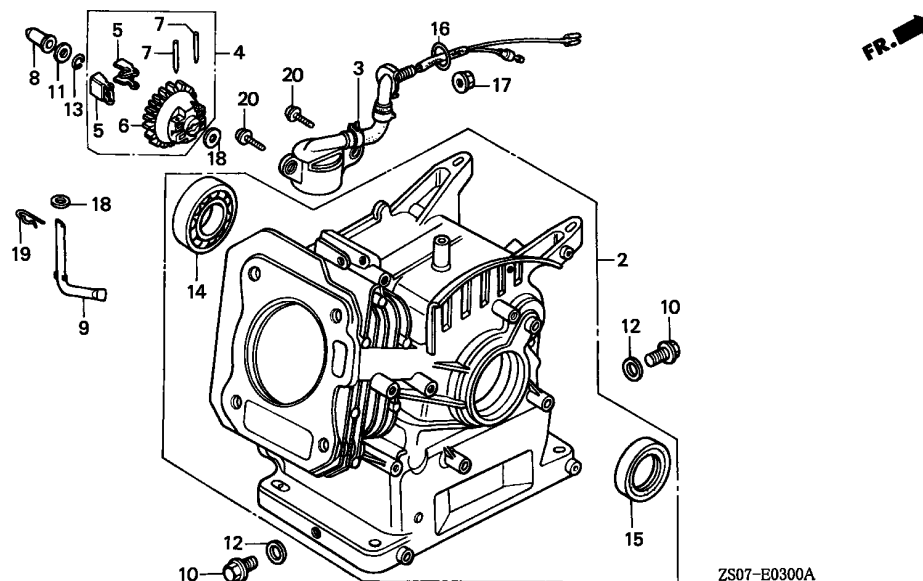
Service item	F.R.T.
COVER COMP., HEAD	0.1
.PACKING, HEAD COVER	
.PLUG, SPARK	
.TUBE, BREATHER	
BOLT, STUD, 6X112	0.2
(ADD 0.1 FOR EACH.)	
.BOLT, STUD, 8X32	
(ADD 0.1 FOR EACH.)	
.GASKET, MUFFLER	
GASKET, CYLINDER HEAD	0.6
GUIDE, IN. VALVE	0.9
(ADD 0.2 FOR EACH.)	
HEAD COMP., CYLINDER	1.0

Ref. No.	Part No.	Description	Reqd. QTY					Serial No.	Parts catalogue code
			1200	1400	EZ 1800	2200	2500		
1	12204-ZE1-306	GUIDE, IN. VALVE (O.S.)	(1)	(1)	(1)	(1)	(1)		
2	12205-ZE1-315	GUIDE, EX. VALVE (O.S.)	(1)	(1)	(1)	(1)	(1)		
3	12210-ZH7-000	HEAD COMP., CYLINDER	1	-	-	-	-		
	12210-ZH7-405	-	1	-	-	-	M	
	12210-ZH8-020	-	-	1	1	1	L,L/A,LS,LS/A,R,R/A,S,S/A	
4	12216-ZE5-300	CLIP, VALVE GUIDE	1	1	1	1	1		
5	12251-ZH7-800	GASKET, CYLINDER HEAD	1	1	-	-	-		
	12251-ZF1-800	-	-	1	1	1		
6	12310-ZE1-010	COVER COMP., HEAD	1	-	-	-	-		
		-	1	-	-	-	M	
		-	-	1	1	1	3909674 L,LS,R,S	
	12310-ZE1-020	-	1	1	1	1	7638542 C,G,L,LS,M,R,S,U	
		-	1	-	-	-	C/A,G/A,L/A,LS/A,M/A,R/A,S/A,U/A	
		-	-	1	1	1	3909675 L,LS,R,S	
		-	-	1	1	1	7638543 C,G,L,LS,M,R,S,U	
7	12391-ZE1-000	PACKING, HEAD COVER	1	1	1	1	1		
8	15721-ZH8-000	TUBE, BREATHER	1	1	1	1	1		
9	18381-ZH8-800	GASKET, MUFFLER	1	1	1	1	1		
10	90013-883-000	BOLT, FLANGE, 6X12(CT200) ...	4	4	4	4	4		
11	90043-ZE1-020	BOLT, STUD, 6X112	2	2	2	2	2		
12	90047-ZE1-000	BOLT, STUD, 8X32	2	2	2	2	2		
13	94301-10160	DOWEL PIN, 10X16	2	2	2	2	2		
14	95723-08055-00	BOLT, FLANGE, 8X55	4	4	-	-	-		
	95723-08060-00	BOLT, FLANGE, 8X60	-	-	4	4	4		
15	98079-56846	PLUG, SPARK (BPR6ES)(NGK) ...	1	1	1	1	1		
	98079-56855	PLUG, SPARK (W20EPR-U)(DENSO)	1	1	1	1	1		

E-3

CYLINDER BARREL

C 2

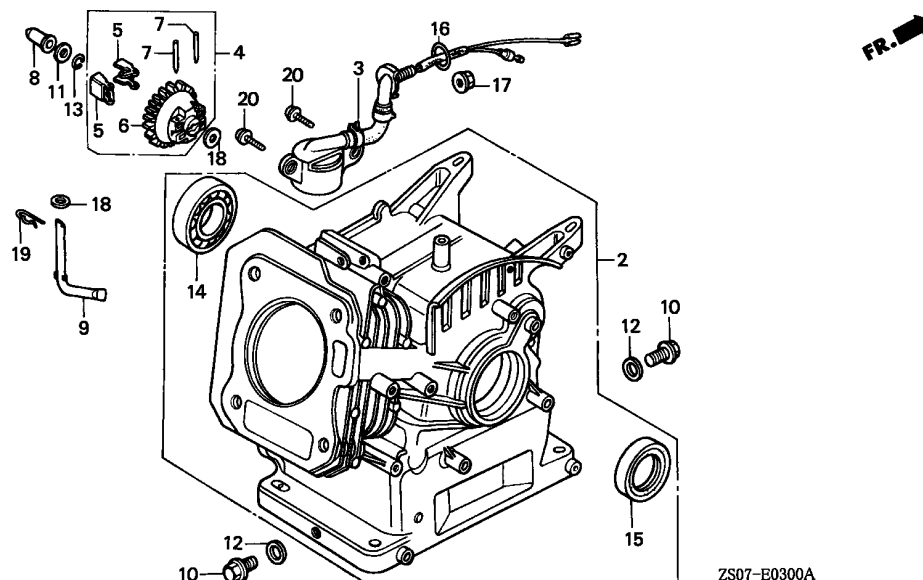


Service item	F.R.T.
WASHER, DRAIN PLUG, 10.2MM ...	0.1
SLIDER, GOVERNOR	0.9
O-RING, 14MM	1.1
.SWITCH ASSY., OIL LEVEL	
SHAFT, GOVERNOR ARM	*1.6
HOLDER, GOVERNOR WEIGHT	*1.7
.OIL SEAL, 25X41X6	
BEARING, RADIAL BALL, 62/22 ..	*1.8
BARREL ASSY., CYLINDER	*2.4

ZS07-E0300A

Ref. No.	Part No.	Description	Reqd. QTY					Serial No.	Parts catalogue code
			1200	1400	EZ 1800	2200	2500		
2	12000-ZF1-812	BARREL ASSY., CYLINDER (OIL ALERT)	-	-	1	1	1	----- 4067884 C,L,LS,M,R,S,U	
	12000-ZH7-405	BARREL ASSY., CYLINDER	1	-	-	-	----- M		
			-	1	-	-	----- 3841370 L,LS,R,S		
	12000-ZH7-415	BARREL ASSY., CYLINDER (OIL ALERT)	-	1	-	-	----- 3841371 4223185 L,LS,R,S		
	12000-ZH7-425	BARREL ASSY., CYLINDER	-	1	-	-	----- L/A,LS/A,R/A,S/A		
			-	1	-	-	----- 4223186 L,LS,R,S		
	12000-ZH8-406	BARREL ASSY., CYLINDER (OIL ALERT)	-	-	1	1	4067885 7438282 C,L,LS,M,R,S,U		
			-	-	1	-	----- 7438282 G		
	12000-ZH8-416	-	-	1	1	7438283 8565637 C,G,L,LS,M,R,S,U		
	12000-ZH8-426	-	-	1	1	----- C/A,G/A,L/A,LS/A,M/A,R/A,S/A,U/A		
			-	-	1	1	8565638 C,G,L,LS,M,R,S,U		
3	15510-ZE1-013	SWITCH ASSY., OIL LEVEL	1	-	-	-	----- 2867760		
			-	1	-	-	----- 2867760 L,LS,M,R,S		
			-	1	1	1	----- 4367320 C,L,LS,M,R,S,U		
	15510-ZE1-023	1	-	-	-	2867761		
			-	1	-	-	----- M		
			-	1	-	-	2867761 3327460 L,LS,R,S		
			-	-	1	1	4367321 5640312 C,L,LS,M,R,S,U		
			-	-	1	-	----- 5640312 G		
	15510-ZE1-033	-	1	1	1	----- C/A,G/A,L/A,LS/A,M/A,R/A,S/A,U/A		
			-	1	-	-	3327461 L,LS,R,S		
			-	-	1	1	5640313 C,G,L,LS,M,R,S,U		
4	16510-ZE1-000	GOVERNOR ASSY.	1	1	1	1			
5	16511-ZE1-000	WEIGHT, GOVERNOR	2	2	2	2			

2



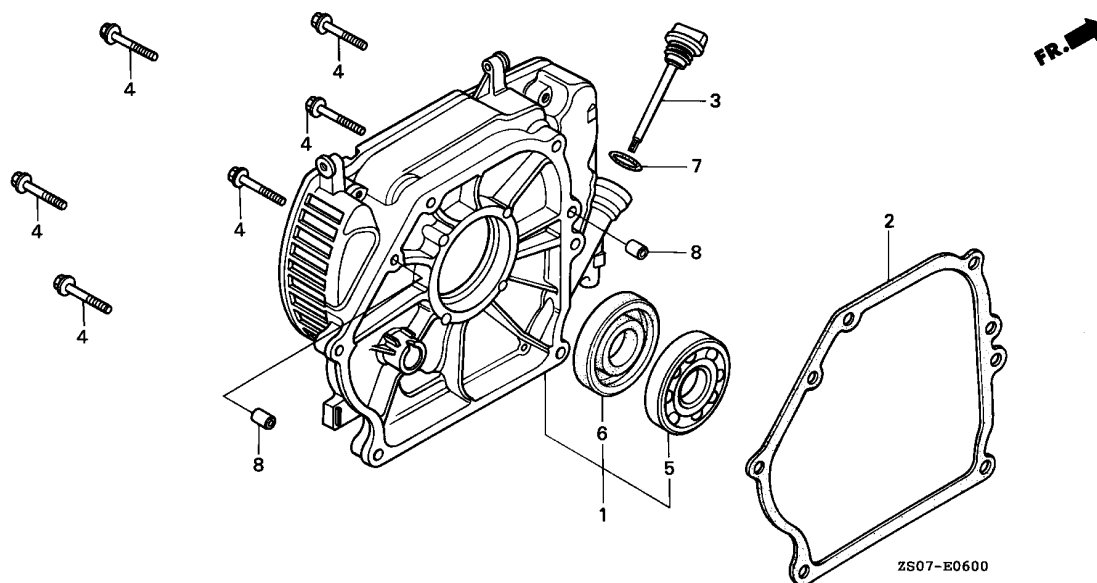
ZS07-E0300A

Ref. No.	Part No.	Description	Reqd. QTY					Serial No.	Parts catalogue code
			1200	1400	EZ 1800	2200	2500		
6	16512-ZE1-000	HOLDER, GOVERNOR WEIGHT	1	1	1	1	1		
7	16513-ZE1-000	PIN, GOVERNOR WEIGHT	2	2	2	2	2		
8	16531-ZE1-000	SLIDER, GOVERNOR	1	1	1	1	1		
9	16541-ZE1-000	SHAFT, GOVERNOR ARM	1	1	1	1	1		
10	90131-ZE1-000	BOLT, DRAIN PLUG	2	2	2	2	2		
11	90451-ZE1-000	WASHER, THRUST, 6MM	1	1	1	1	1		
12	90601-ZE1-000	WASHER, DRAIN PLUG, 10.2MM ..	2	2	2	2	2		
13	90602-ZE1-000	CLIP, GOVERNOR HOLDER	1	1	1	1	1		
14	91001-878-003	BEARING, RADIAL BALL, 62/22 ..	1	1	-	-	-		
	91001-ZF1-003	BEARING, RADIAL BALL (6205TMB) (NTN)	-	-	1	1	1		
	91001-ZF1-004	BEARING, RADIAL BALL (6205SH) (KOYO)	-	-	1	1	1		
15	91203-ZE0-003	OIL SEAL, 22X41X6	1	-	-	-	-		
			-	1	-	-	-	----- M	
			-	1	-	-	-	----- 4223185 L,LS,R,S	
	91202-883-005	OIL SEAL, 25X41X6	-	-	1	1	1	----- 8565637 C,G,L,LS,M,R,S,U	
	91203-ZE0-013	OIL SEAL, 22X41X6	-	1	-	-	-	----- L/A,LS/A,R/A,S/A	
			-	1	-	-	-	----- 4223186 L,LS,R,S	
	91201-Z0T-801	OIL SEAL, 25X41X6	-	-	1	1	1	----- C/A,G/A,L/A,LS/A,M/A,R/A,S/A,U/A	
			-	-	1	1	1	----- 8565638 C,G,L,LS,M,R,S,U	
16	91353-671-004	O-RING, 14MM(NOK)	1	1	1	1	1		
17	94050-10000	NUT, FLANGE, 10MM	1	1	1	1	1		
18	94101-06800	WASHER, PLAIN, 6MM	2	2	2	2	2		
19	94251-08000	PIN, LOCK, 8MM	1	1	1	1	1		
20	95701-06012-00	BOLT, FLANGE, 6X12	2	2	2	2	2		

E-6

CRANKCASE COVER

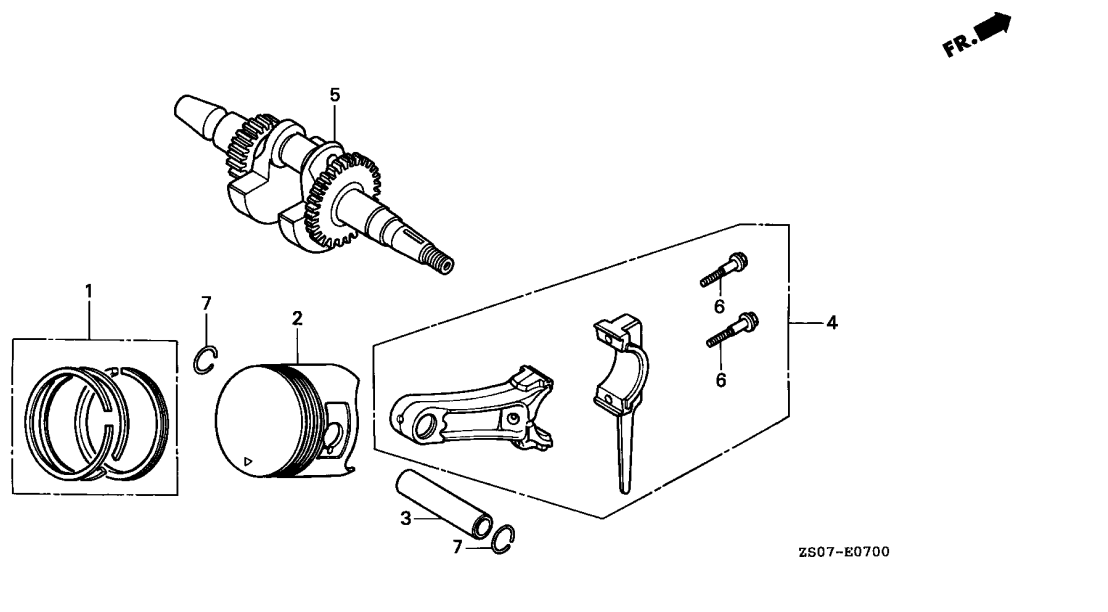
C 4



Service item	F.R.T.
COVER ASSY., CRANKCASE	0.8
.OIL SEAL, 25X41X6	
.PACKING, CASE COVER	
BEARING, RADIAL BALL, 62/22 ..	0.9
.BEARING, RADIAL BALL, 6205	

Ref. No.	Part No.	Description	Reqd. QTY					Serial No.	Parts catalogue code
			1200	1400	EZ 1800	2200	2500		
1	11300-ZB0-020	COVER ASSY., CRANKCASE	1	-	-	-	-	----- M	
			-	1	-	-	-	----- 4205163 L,LS,R,S	
	11300-ZB2-030	-	-	1	1	1	----- 8565637 C,G,L,LS,M,R,S,U	
	11300-ZB0-030	-	1	-	-	-	----- L/A,LS/A,R/A,S/A	
			-	1	-	-	-	4205164 ----- L,LS,R,S	
	11300-ZB2-040	-	-	1	1	1	----- C/A,G/A,L/A,LS/A,M/A,R/A,S/A,U/A	
			-	-	1	1	1	8565638 ----- C,G,L,LS,M,R,S,U	
2	11381-ZB0-800	PACKING, CASE COVER	1	1	-	-	-		
	11381-ZB2-800	-	-	1	1	1		
3	15620-ZB2-000	CAP, OIL FILLER	1	1	1	1	1		
4	90015-883-000	BOLT, FLANGE, 6X28	7	7	-	-	-		
	95701-08032-00	BOLT, FLANGE, 8X32	-	-	6	6	6		
5	91001-878-003	BEARING, RADIAL BALL, 62/22 ..	1	1	-	-	-		
	96100-62050-00	BEARING, RADIAL BALL, 6205 ..	-	-	1	1	1		
6	91202-ZE6-003	OIL SEAL, 22X35X6	1	-	-	-	-	----- M	
			-	1	-	-	-	----- 4205163 L,LS,R,S	
	91202-883-005	OIL SEAL, 25X41X6	-	-	1	1	1	----- 8565637 C,G,L,LS,M,R,S,U	
	91202-ZE6-013	OIL SEAL, 22X35X6	-	1	-	-	-	----- L/A,LS/A,R/A,S/A	
			-	1	-	-	-	4205164 ----- L,LS,R,S	
	91201-Z0T-801	OIL SEAL, 25X41X6	-	-	1	1	1	----- C/A,G/A,L/A,LS/A,M/A,R/A,S/A,U/A	
			-	-	1	1	1	8565638 ----- C,G,L,LS,M,R,S,U	
7	91303-800-000	O-RING, 16MM	1	1	1	1	1		
8	94301-08140	DOWEL PIN, 8X14	2	2	2	2	2		

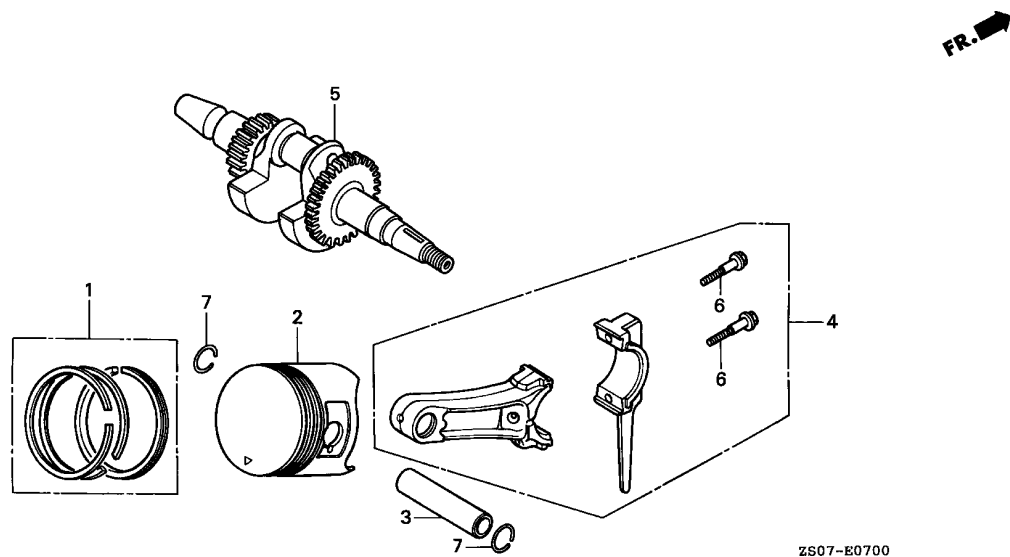




Service item	F.R.T.
CRANKSHAFT COMP.	*1.7
ROD ASSY., CONNECTING	
PISTON	*1.8
RING SET, PISTON	

Ref. No.	Part No.	Description	Reqd. QTY					Serial No.	Parts catalogue code
			1200	1400	EZ 1800	2200	2500		
1	13010-ZE6-013	RING SET, PISTON (STD.) (NIPPON)	1	-	-	-	-	----- M	
			-	1	-	-	-	3993725	L,LS,R,S
	13010-ZE6-014	RING SET, PISTON (STD.) (TEIKOKU)	1	-	-	-	-	----- M	
			-	1	-	-	-	3993725	L,LS,R,S
	13011-ZE6-013	RING SET, PISTON (0.25) (NIPPON)	(1)	-	-	-	-	----- M	
			-	(1)	-	-	-	3993725	L,LS,R,S
	13011-ZE6-014	RING SET, PISTON (0.25) (TEIKOKU)	(1)	-	-	-	-	----- M	
			-	(1)	-	-	-	3993725	L,LS,R,S
	13012-ZE6-013	RING SET, PISTON (0.50) (NIPPON)	(1)	-	-	-	-	----- M	
			-	(1)	-	-	-	3993725	L,LS,R,S
	13012-ZE6-014	RING SET, PISTON (0.50) (TEIKOKU)	(1)	-	-	-	-	----- M	
			-	(1)	-	-	-	3993725	L,LS,R,S
	13013-ZE6-013	RING SET, PISTON (0.75) (NIPPON)	(1)	-	-	-	-	----- M	
			-	(1)	-	-	-	3993725	L,LS,R,S
			-	(1)	-	-	-	3993725	L,LS,R,S

Ref. No.	Part No.	Description	Reqd. QTY					Serial No.	Parts catalogue code
			1200	1400	EZ 1800	2200	2500		
(1)	13013-ZE6-014	RING SET, PISTON (0.75) (TEIKOKU)	(1)	-	-	-	-		
			-	(1)	-	-	-	----- M	
			-	(1)	-	-	-	----- 3993725	L,LS,R,S
	13010-ZF1-023	RING SET, PISTON (STD.) (TEIKOKU)	-	-	1	1	1	----- 4733210	C,G,L,LS,M,R,S,U
	13010-ZF1-024	RING SET, PISTON (STD.) (NIPPON)	-	-	1	1	1	----- 4733210	C,G,L,LS,M,R,S,U
	13010-ZH7-003	RING SET, PISTON (STD.) (TEIKOKU)	-	1	-	-	-	----- 3993726	L/A,LS/A,R/A,S/A L,LS,R,S
	13010-ZH7-004	RING SET, PISTON (STD.) (NIPPON)	-	1	-	-	-	----- 3993726	L/A,LS/A,R/A,S/A L,LS,R,S
	13011-ZF1-023	RING SET, PISTON (0.25) (TEIKOKU)	-	-	(1)	(1)	(1)	----- 4733210	C,G,L,LS,M,R,S,U
	13011-ZF1-024	RING SET, PISTON (0.25) (NIPPON)	-	-	(1)	(1)	(1)	----- 4733210	C,G,L,LS,M,R,S,U
	13011-ZH7-003	RING SET, PISTON (0.25) (TEIKOKU)	-	(1)	-	-	-	----- 3993726	L/A,LS/A,R/A,S/A L,LS,R,S
	13011-ZH7-004	RING SET, PISTON (0.25) (NIPPON)	-	(1)	-	-	-	----- 3993726	L/A,LS/A,R/A,S/A L,LS,R,S
	13012-ZF1-023	RING SET, PISTON (0.50) (TEIKOKU)	-	-	(1)	(1)	(1)	----- 4733210	C,G,L,LS,M,R,S,U
	13012-ZF1-024	RING SET, PISTON (0.50) (NIPPON)	-	-	(1)	(1)	(1)	----- 4733210	C,G,L,LS,M,R,S,U
	13012-ZH7-003	RING SET, PISTON (0.50) (TEIKOKU)	-	(1)	-	-	-	----- 3993726	L/A,LS/A,R/A,S/A L,LS,R,S
	13012-ZH7-004	RING SET, PISTON (0.50) (NIPPON)	-	(1)	-	-	-	----- 3993726	L/A,LS/A,R/A,S/A L,LS,R,S
	13013-ZF1-023	RING SET, PISTON (0.75) (TEIKOKU)	-	-	(1)	(1)	(1)	----- 4733210	C,G,L,LS,M,R,S,U
	13013-ZF1-024	RING SET, PISTON (0.75) (NIPPON)	-	-	(1)	(1)	(1)	----- 4733210	C,G,L,LS,M,R,S,U
	13013-ZH7-003	RING SET, PISTON (0.75) (TEIKOKU)	-	(1)	-	-	-	----- 3993726	L/A,LS/A,R/A,S/A L,LS,R,S
	13013-ZH7-004	RING SET, PISTON (0.75) (NIPPON)	-	(1)	-	-	-	----- 3993726	L/A,LS/A,R/A,S/A L,LS,R,S
	13010-ZH8-941	RING SET, PISTON (STD.) (TEIKOKU)	-	-	1	1	1	4733211	7603338 C,G,L,LS,M,R,S,U
	13010-ZH8-942	RING SET, PISTON (STD.) (NIPPON)	-	-	1	1	1	4733211	7603338 C,G,L,LS,M,R,S,U
	13011-ZH8-941	RING SET, PISTON (0.25) (TEIKOKU)	-	-	(1)	(1)	(1)	4733211	7603338 C,G,L,LS,M,R,S,U
	13011-ZH8-942	RING SET, PISTON (0.25) (NIPPON)	-	-	(1)	(1)	(1)	4733211	7603338 C,G,L,LS,M,R,S,U
	13012-ZH8-941	RING SET, PISTON (0.50) (TEIKOKU)	-	-	(1)	(1)	(1)	4733211	7603338 C,G,L,LS,M,R,S,U
	13012-ZH8-942	RING SET, PISTON (0.50) (NIPPON)	-	-	(1)	(1)	(1)	4733211	7603338 C,G,L,LS,M,R,S,U
	13013-ZH8-941	RING SET, PISTON (0.75) (TEIKOKU)	-	-	(1)	(1)	(1)	4733211	7603338 C,G,L,LS,M,R,S,U



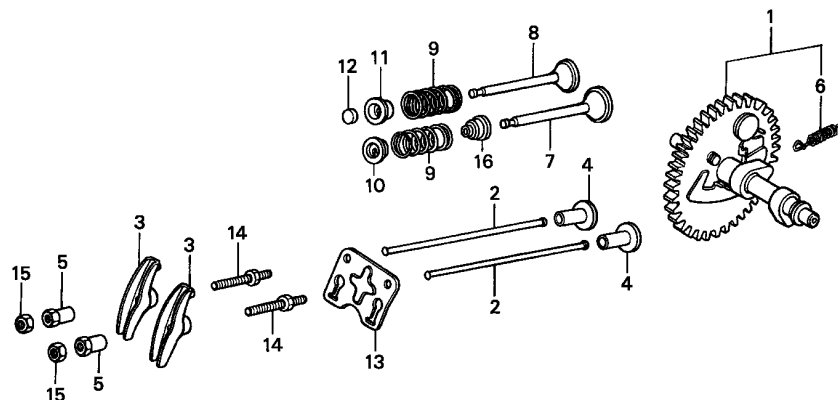
2

Ref. No.	Part No.	Description	Reqd. QTY					Serial No.	Parts catalogue code
			1200	1400	EZ 1800	2200	2500		
(1)	13013-ZH8-942	RING SET, PISTON (0.75) (NIPPON)	-	-	(1)	(1)	(1)	4733211 7603338	C,G,L,LS,M,R,S,U
	13010-ZL0-003	RING SET, PISTON (STD.) (TEIKOKU)	-	-	1	1	1	----- 7603339	C/A,G/A,L/A,LS/A,M/A,R/A,S/A,U/A C,G,L,LS,M,R,S,U
	13010-ZL0-004	RING SET, PISTON (STD.) (NIPPON)	-	-	1	1	1	----- 7603339	C/A,G/A,L/A,LS/A,M/A,R/A,S/A,U/A C,G,L,LS,M,R,S,U
	13011-ZL0-003	RING SET, PISTON (0.25) (TEIKOKU)	-	-	(1)	(1)	(1)	----- 7603339	C/A,G/A,L/A,LS/A,M/A,R/A,S/A,U/A C,G,L,LS,M,R,S,U
	13011-ZL0-004	RING SET, PISTON (0.25) (NIPPON)	-	-	(1)	(1)	(1)	----- 7603339	C/A,G/A,L/A,LS/A,M/A,R/A,S/A,U/A C,G,L,LS,M,R,S,U
	13012-ZL0-003	RING SET, PISTON (0.50) (TEIKOKU)	-	-	(1)	(1)	(1)	----- 7603339	C/A,G/A,L/A,LS/A,M/A,R/A,S/A,U/A C,G,L,LS,M,R,S,U
	13012-ZL0-004	RING SET, PISTON (0.50) (NIPPON)	-	-	(1)	(1)	(1)	----- 7603339	C/A,G/A,L/A,LS/A,M/A,R/A,S/A,U/A C,G,L,LS,M,R,S,U
	13013-ZL0-003	RING SET, PISTON (0.75) (TEIKOKU)	-	-	(1)	(1)	(1)	----- 7603339	C/A,G/A,L/A,LS/A,M/A,R/A,S/A,U/A C,G,L,LS,M,R,S,U
	13013-ZL0-004	RING SET, PISTON (0.75) (NIPPON)	-	-	(1)	(1)	(1)	----- 7603339	C/A,G/A,L/A,LS/A,M/A,R/A,S/A,U/A C,G,L,LS,M,R,S,U
2	13101-ZH7-000	PISTON (STD.)	1	-	-	-	-	----- M	L,LS,R,S
			-	1	-	-	-	----- 3993725	L,LS,R,S

Ref. No.	Part No.	Description	Reqd. QTY					Serial No.	Parts catalogue code
			1200	1400	EZ 1800	2200	2500		
(2)	13102-ZH7-000	PISTON (0.25)	(1)	-	-	-	-	----- M	
			-	(1)	-	-	-----	3993725 L,LS,R,S	
	13103-ZH7-000	PISTON (0.50)	(1)	-	-	-	-----	----- M	
			-	(1)	-	-	-----	3993725 L,LS,R,S	
	13104-ZH7-000	PISTON (0.75)	(1)	-	-	-	-----	----- M	
			-	(1)	-	-	-----	3993725 L,LS,R,S	
	13101-ZH7-010	PISTON (STD.)	-	1	-	-	-----	----- L/A,LS/A,R/A,S/A	
			-	1	-	-	3993726	----- L,LS,R,S	
	13101-ZH8-000	-	-	1	1	-----	7603338 C,G,L,LS,M,R,S,U	
	13102-ZH7-010	PISTON (0.25)	-	(1)	-	-	-----	----- L/A,LS/A,R/A,S/A	
			-	(1)	-	-	3993726	----- L,LS,R,S	
	13102-ZH8-000	-	-	(1)	(1)	-----	7603338 C,G,L,LS,M,R,S,U	
	13103-ZH7-010	PISTON (0.50)	-	(1)	-	-	-----	----- L/A,LS/A,R/A,S/A	
			-	(1)	-	-	3993726	----- L,LS,R,S	
	13103-ZH8-000	-	-	(1)	(1)	-----	7603338 C,G,L,LS,M,R,S,U	
	13104-ZH7-010	PISTON (0.75)	-	(1)	-	-	-----	----- L/A,LS/A,R/A,S/A	
			-	(1)	-	-	3993726	----- L,LS,R,S	
	13104-ZH8-000	-	-	(1)	(1)	-----	7603338 C,G,L,LS,M,R,S,U	
	13101-ZH8-010	PISTON (STD.)	-	-	1	1	-----	----- C/A,G/A,L/A,LS/A,M/A,R/A,S/A,U/A	
			-	-	1	1	7603339	----- C,G,L,LS,M,R,S,U	
	13102-ZH8-010	PISTON (0.25)	-	-	(1)	(1)	-----	----- C/A,G/A,L/A,LS/A,M/A,R/A,S/A,U/A	
			-	-	(1)	(1)	7603339	----- C,G,L,LS,M,R,S,U	
	13103-ZH8-010	PISTON (0.50)	-	-	(1)	(1)	-----	----- C/A,G/A,L/A,LS/A,M/A,R/A,S/A,U/A	
			-	-	(1)	(1)	7603339	----- C,G,L,LS,M,R,S,U	
	13104-ZH8-010	PISTON (0.75)	-	-	(1)	(1)	-----	----- C/A,G/A,L/A,LS/A,M/A,R/A,S/A,U/A	
			-	-	(1)	(1)	7603339	----- C,G,L,LS,M,R,S,U	
3	13111-ZE0-000	PIN, PISTON	1	1	-	-	-	-	
	13111-ZE1-000	-	-	1	1	1	-	
4	13200-ZE0-000	ROD ASSY., CONNECTING	1	1	-	-	-	-	
	13200-ZE1-010	ROD ASSY., CONNECTING (STD.)	-	-	1	1	1	-	
5	13310-ZB0-000	CRANKSHAFT COMP.	1	1	-	-	-	-	
	13310-ZB2-000	-	-	1	1	1	-	
6	90001-ZE1-000	BOLT, CONNECTING ROD	2	2	2	2	2	-	
7	90551-ZE0-000	CLIP, PISTON PIN, 13MM	2	2	-	-	-	-	
	90551-ZE1-000	CLIP, PISTON PIN, 18MM	-	-	2	2	2	-	



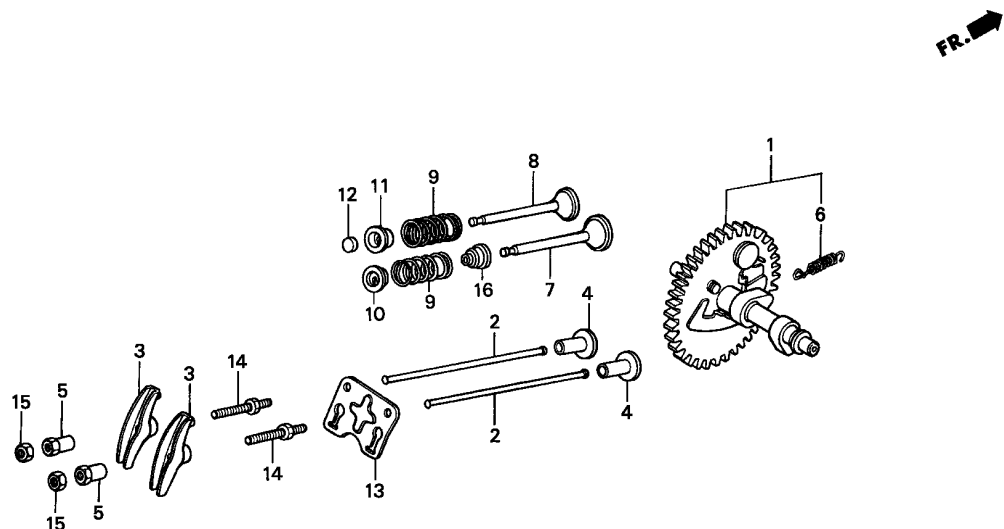
FR. →



ZS07-E0900 A

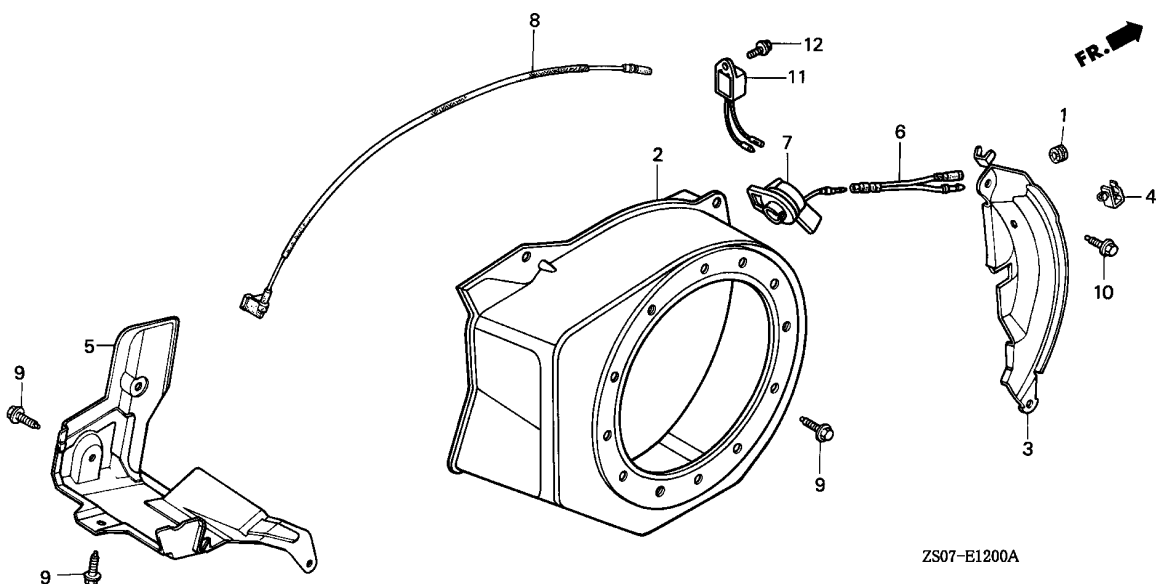
Service item	F.R.T.
ARM, VALVE ROCKER	0.2
(ADD 0.1 FOR EACH.)	
.ROD, PUSH	
(ADD 0.1 FOR EACH.)	
.ROTATOR, VALVE	
CAMSHAFT ASSY.	1.0
.LIFTER, VALVE	
.SEAL, VALVE STEM	
.VALVE	
(ADD 0.1 FOR EACH.)	

Ref. No.	Part No.	Description	Reqd. QTY					Serial No.	Parts catalogue code
			1200	1400	EZ 1800	2200	2500		
1	14100-ZE0-812	CAMSHAFT ASSY.	1	1	-	-	-		
	14100-ZE1-812	-	-	1	1	1		
2	14410-ZE0-010	ROD, PUSH	2	2	-	-	-		
	14410-ZE1-010	-	-	2	2	2		
3	14431-ZE1-000	ARM, VALVE ROCKER	2	2	2	2	2		
4	14441-ZE1-000	LIFTER, VALVE	2	-	-	-	-	----- 2828018	
			-	2	-	-	-	----- 2828018 L,LS,M,R,S	
			-	-	2	2	2	----- 4252173 C,L,LS,M,R,S,U	
	14441-ZE1-010	2	-	-	-	-	----- 2828019	
			-	2	2	2	2	----- C/A,G,G/A,L/A,LS/A,M/A,R/A,S/A,U/A	
			-	2	-	-	-	----- 2828019 L,LS,M,R,S	
			-	-	2	2	2	4252174 ----- C,L,LS,M,R,S,U	
5	14451-ZE1-013	PIVOT, ROCKER ARM	2	2	2	2	2		
6	14568-ZE1-000	SPRING, WEIGHT RETURN	1	1	1	1	1		
7	14711-ZF0-000	VALVE, IN.	1	-	-	-	-		
			-	1	-	-	-	----- M	
			-	1	-	-	-	----- 3841370 L,LS,R,S	
	14711-ZF1-000	-	-	1	1	1		
	14711-ZF0-010	-	1	-	-	-	----- L/A,LS/A,R/A,S/A	
			-	1	-	-	-	3841371 ----- L,LS,R,S	
8	14721-ZF0-000	VALVE, EX.	1	1	-	-	-		
	14721-ZF1-000	-	-	1	1	1		
9	14751-ZF1-000	SPRING, VALVE	2	2	2	2	2		
10	14771-ZE1-000	RETAINER, IN. VALVE SPRING ..	1	1	1	1	1		
11	14773-ZE1-000	RETAINER, EX. VALVE SPRING ..	1	1	1	1	1		
12	14781-ZE1-000	ROTATOR, VALVE	1	1	1	1	1		
13	14791-ZE0-010	PLATE, PUSH ROD GUIDE	1	1	-	-	-		



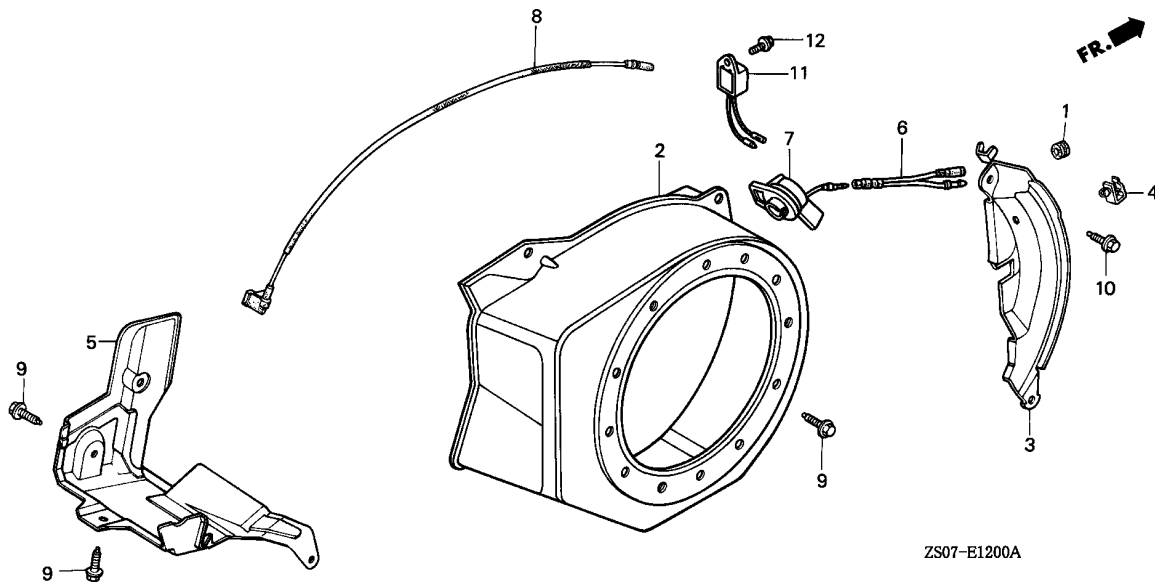
ZS07-E0900 A

Ref. No.	Part No.	Description	Reqd. QTY					Serial No.	Parts catalogue code
			1200	1400	EZ 1800	2200	2500		
13)	14791-ZE1-010	PLATE, PUSH ROD GUIDE	-	-	1	1	1		
14	90012-ZE0-010	BOLT, PIVOT, 8MM	2	2	2	2	2		
15	90206-ZE1-000	NUT, PIVOT ADJUSTING	2	2	2	2	2		
16	12209-ZH8-003	SEAL, VALVE STEM	-	1	1	1	1	----- C/A,G/A,L/A,LS/A,M/A,R/A,S/A,U/A	
			-	1	-	-	-	3993726 ----- L,LS,R,S	
			-	-	1	1	1	7664037 ----- C,G,L,LS,M,R,S,U	



Service item	F.R.T.
ALERT UNIT, OIL	0.1
.SUB HARNESS	
COVER COMP., FAN	0.2
.SHROUD COMP.	
.SWITCH ASSY., ENGINE STOP	
CORD, STOP SWITCH	0.3
.PLATE, SIDE	

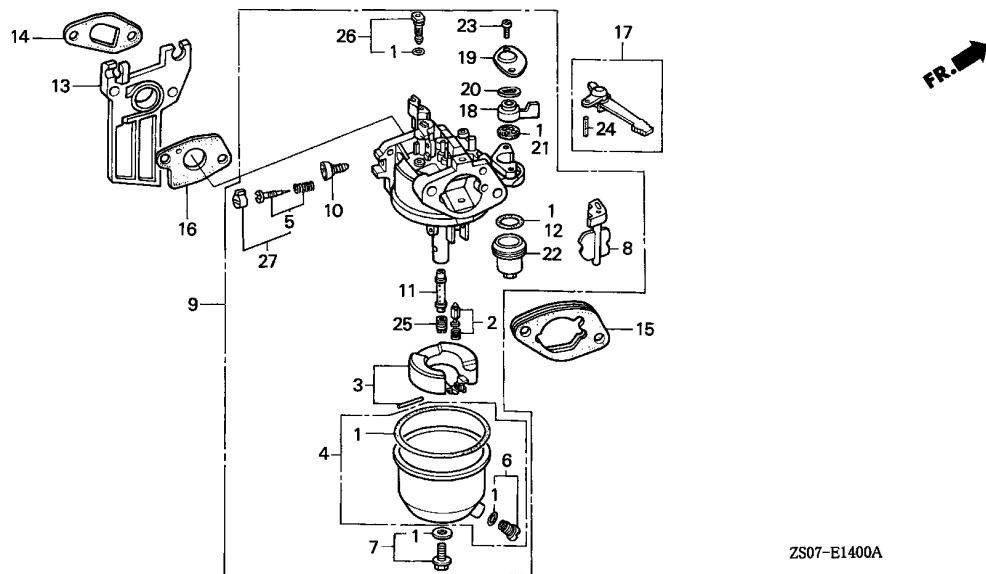
Ref. No.	Part No.	Description	Reqd. QTY					Serial No.	Parts catalogue code
			1200	1400	EZ 1800	2200	2500		
1	11347-371-300	GROMMET, ADJUSTING COVER	1	1	-	-	-		
2	19610-ZB0-601ZC	COVER COMP., FAN							
		NH1.....BLACK	1	1	-	-	-		
	19610-ZB2-601ZC	*NH1*.....BLACK	-	-	1	1	1		
3	19612-ZH7-830	PLATE, SIDE (ALERT & LAMP) ..	1	-	-	-	-	----- 3084882	
			-	1	-	-	-	----- 3084882 L,LS,M,R,S	
	19612-ZH8-830	-	-	1	1	1	----- 4795905 C,G,L,LS,M,R,S,U	
	19612-ZH7-820	PLATE, SIDE (LAMP)	1	-	-	-	-	3084883	
			-	1	-	-	-	3084883 ----- M	
			-	1	-	-	-	3084883 3182937 L,LS,R,S	
	19612-ZH8-820	-	-	1	1	1	5066322 C,G,L,LS,M,R,S,U	
	19612-ZH7-821	PLATE, SIDE	-	1	-	-	-	----- L/A,LS/A,R/A,S/A	
			-	1	-	-	-	3182938 3257376 L,LS,R,S	
	19612-ZH8-821	PLATE, SIDE (LAMP)	-	-	1	1	1	5066323 5372718 C,G,L,LS,M,R,S,U	
	19611-ZH7-820	PLATE COMP., SIDE							
		(ALERT & LAMP)	-	1	-	-	-	----- L/A,LS/A,R/A,S/A	
			-	1	-	-	-	3257377 ----- L,LS,R,S	
	19611-ZH8-820	-	-	1	1	1	----- C/A,G/A,L/A,LS/A,M/A,R/A,S/A,U/A	
			-	-	1	1	1	5372719 ----- C,G,L,LS,M,R,S,U	
4	19613-ZE1-000	CLAMPER, CORD	1	-	-	-	-	----- 2867760	
			-	1	-	-	-	----- 2867760 L,LS,M,R,S	
			-	-	1	1	1	----- 4367320 C,L,LS,M,R,S,U	
	90601-ZH7-013	CLIP, HARNESS	1	-	-	-	-	2867761	
			-	1	1	1	1	----- C/A,G,G/A,L/A,LS/A,M/A,R/A,S/A,U/A	
			-	1	-	-	-	2867761 ----- L,LS,M,R,S	
			-	-	1	1	1	4367321 ----- C,L,LS,M,R,S,U	
5	19631-ZB0-600	SHROUD COMP.	1	1	-	-	-		
	19631-ZB2-600	-	-	1	1	1		



ZS07-E1200A

Ref. No.	Part No.	Description	Reqd. QTY					Serial No.	Parts catalogue code
			1200	1400	EZ 1800	2200	2500		
6	32197-ZH8-003	SUB HARNESS	1	-	-	-	-	2867760	
			-	1	-	-	-	2867760	L,LS,M,R,S
			-	-	1	1	1	4367320	C,L,LS,M,R,S,U
7	36100-ZH8-W41	SWITCH ASSY., ENGINE STOP ...	1	-	-	-	-	2867760	
			-	1	-	-	-	2867760	M,R
			-	-	1	1	1	4367620	M,R,U
	36100-ZE1-015	-	1	-	-	-	2867760	L,LS,S
			-	-	1	-	1	4368640	C,L,LS,S
	36100-ZH7-W41	1	-	-	-	-	2867761	
			-	1	1	1	1		G,G/A,M/A,R/A,U/A
			-	1	-	-	-	2867761	M,R
			-	-	1	1	1	4367621	M,R,U
	36100-ZH7-003	-	1	1	-	1		C/A,L/A,LS/A,S/A
			-	1	-	-	-	2867761	L,LS,S
			-	-	1	-	1	4368641	C,L,LS,S
8	36101-ZE1-010	CORD, STOP SWITCH (370MM) ...	1	1	1	1	1		
9	90013-883-000	BOLT, FLANGE, 6X12(CT200) ...	7	7	7	7	7		
10	90022-888-010	BOLT, FLANGE, 6X20(CT200) ...	1	1	1	1	1		
11	34150-ZH7-003	ALERT UNIT, OIL	-	1	1	1	1		C/A,G/A,L/A,LS/A,M/A,R/A,S/A,U/A
			-	1	-	-	-	3257377	L,LS,R,S
			-	-	1	1	1	5372719	C,G,L,LS,M,R,S,U
12	95701-06008-00	BOLT, FLANGE, 6X8	-	1	1	1	1		C/A,G/A,L/A,LS/A,M/A,R/A,S/A,U/A
			-	1	-	-	-	3257377	L,LS,R,S
			-	-	1	1	1	5372719	C,G,L,LS,M,R,S,U





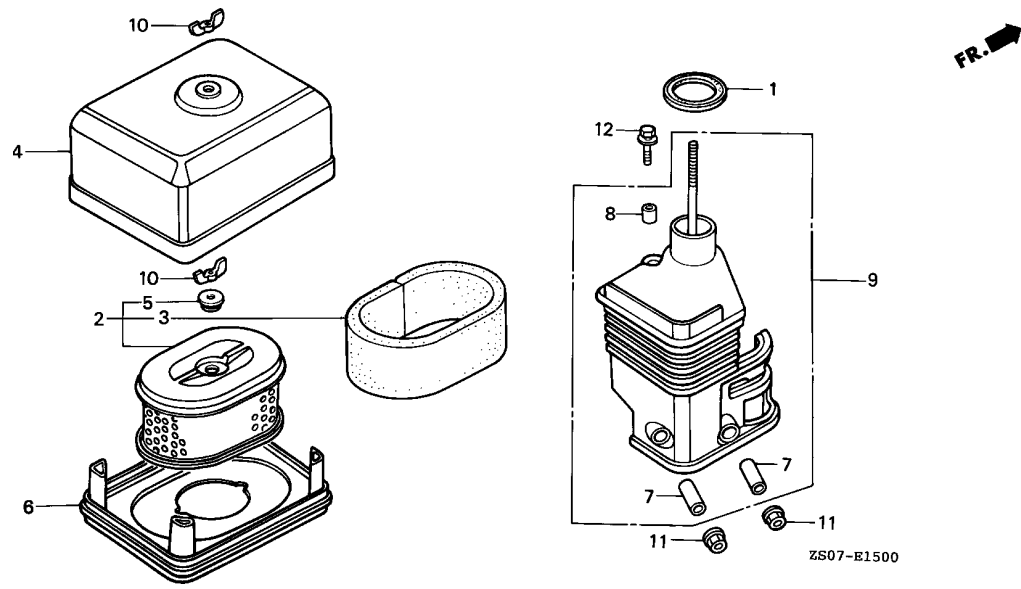
Service item	F.R.T.
CARBURETOR ASSY.	0.2
.INSULATOR, CARBURETOR	
.LEVER COMP., CHOKE	
.PACKING, CARBURETOR	
.PACKING, FUEL COCK	
.PACKING, FUEL STRAINER CUP	
.PACKING, INSULATOR	
.SCREW SET, PILOT	
FLOAT SET	0.3
.GASKET SET	
.JET, MAIN,	
.VALVE SET, FLOAT	

ZS07-E1400A

Ref. No.	Part No.	Description	Reqd. QTY					Serial No.	Parts catalogue code
			1200	1400	EZ 1800	2200	2500		
1	16010-ZE1-812	GASKET SET	1	1	1	1	1		
2	16011-ZE0-005	VALVE SET, FLOAT	1	1	1	1	1		
3	16013-ZE0-005	FLOAT SET	1	1	1	1	1		
4	16015-ZE1-811	CHAMBER SET, FLOAT							
		(CARBURETOR NO.)	1	-	-	-	-	BE12D A	
		///	-	1	-	-	-	BE12D A L,LS,M,R,S	
		///	-	-	1	1	1	BE06K A C,L,LS,M,R,S,U	
	16015-ZE0-831							
		(CARBURETOR NO.)	1	-	-	-	-	BE12D B	
		(CARBURETOR NO.)	-	1	1	1	1	----- C/A,G,G/A,L/A,LS/A,M/A,R/A,S/A,U/A	
		///	-	-	1	-	-	BE12D B ----- L,LS,M,R,S	
		///	-	-	1	1	1	BE06K B ----- C,L,LS,M,R,S,U	
5	16016-ZE0-005	SCREW SET, PILOT	1	-	-	-	-	----- M	
		(CARBURETOR NO.)	-	1	-	-	-	BE12D B L,LS,R,S	
		///	-	-	1	1	1	BE06K B C,G,L,LS,M,R,S,U	
6	16024-ZE1-811	SCREW SET, DRAIN	1	1	1	1	1		
7	16028-ZE0-005	SCREW SET	1	1	1	1	1		
8	16044-ZE0-005	CHOKE SET							
		(CARBURETOR NO.)	-	1	-	-	-	----- L/A,LS/A,R/A,S/A	
		///	-	-	1	1	1	BE60J B ----- L,LS,R,S	
9	16100-ZH7-D00	CARBURETOR ASSY. (BE12D A) ..	1	-	-	-	-	----- 2736520	
		///	-	1	-	-	-	----- 2736520 L,LS,M,R,S	
	16100-ZH7-D01	CARBURETOR ASSY. (BE12D B) ..	1	-	-	-	-	2736521	
		///	-	1	-	-	-	2736521 ----- M	
		///	-	1	-	-	-	2736521 3491424 L,LS,R,S	
	16100-ZH8-D00	CARBURETOR ASSY. (BE06K A) ..	-	-	1	1	1	----- 4007365 C,L,LS,M,R,S,U	

Ref. No.	Part No.	Description	Reqd. QTY					Serial No.	Parts catalogue code
			1200	1400	EZ 1800	2200	2500		
(9)	16100-ZH8-D01	CARBURETOR ASSY. (BE06K B) ..	-	-	1	1	1	4007366 6276049 C,L,LS,M,R,S,U	
			-	-	-	1	----- 6276049 G		
	16100-ZH7-D61	CARBURETOR ASSY. (BE60J B) ..	-	1	-	-	----- L/A,LS/A,R/A,S/A		
			-	1	-	-	3491425 ----- L,LS,R,S		
	16100-ZH8-E91	CARBURETOR ASSY. (BE65E B) ..	-	-	1	1	----- C/A,G/A,L/A,LS/A,M/A,R/A,S/A,U/A		
			-	-	1	1	6276050 ----- C,G,L,LS,M,R,S,U		
10	16124-ZE0-005	SCREW, THROTTLE STOP	1	1	1	1			
11	16166-ZH7-820	NOZZLE, MAIN	1	1	-	-			
	16166-ZH8-810							
		(CARBURETOR NO.)	-	-	1	1	----- BE06K B C,G,L,LS,M,R,S,U		
		-	-	1	1	----- C/A,G/A,L/A,LS/A,M/A,R/A,S/A,U/A		
		(CARBURETOR NO.)	-	-	1	1	BE65E B ----- C,G,L,LS,M,R,S,U		
12	16173-001-004	PACKING, FUEL STRAINER CUP ..	1	1	1	1			
13	16211-ZE0-000	INSULATOR, CARBURETOR	1	1	-	-			
	16211-ZE1-000	-	-	1	1			
14	16212-ZH7-800	PACKING, INSULATOR	1	1	-	-			
	16212-ZH8-800	-	-	1	1			
15	16220-ZE1-020	SPACER COMP., CARBURETOR	1	1	1	1			
16	16221-ZH8-801	PACKING, CARBURETOR	1	1	1	1			
17	16610-ZE1-000	LEVER COMP., CHOKE (STD.) ...	1	1	1	1			
18	16953-ZE1-812	LEVER, COCK	1	1	1	1			
19	16954-ZE1-812	PLATE, LEVER SETTING	1	1	1	1			
20	16956-ZE1-811	SPRING, COCK LEVER	1	1	1	1			
21	16957-ZE1-812	PACKING, FUEL COCK	1	1	1	1			
22	16967-ZE0-811	CUP, FUEL STRAINER	1	1	1	1			
23	93500-03008-1G	SCREW, PAN, 3X8							
		(CARBURETOR NO.)	2	-	-	-	----- BE12D A		
		//	-	2	-	-	----- BE12D A L,LS,M,R,S		
		//	-	-	2	2	----- BE06K A C,L,LS,M,R,S,U		
	93500-03006-1H	SCREW, PAN, 3X6							
		(CARBURETOR NO.)	2	-	-	-	BE12D B		
		(CARBURETOR NO.)	-	2	2	2	----- C/A,G,G/A,L/A,LS/A,M/A,R/A,S/A,U/A		
		//	-	2	-	-	BE12D B ----- L,LS,M,R,S		
		//	-	-	2	2	BE06K B ----- C,L,LS,M,R,S,U		
24	94305-20122	PIN, SPRING, 2X12	1	1	1	1			
25	99101-ZH8-0550	JET, MAIN, #55	(1)	(1)	-	-			
	99101-ZH8-0580	JET, MAIN, #58	(1)	(1)	-	-			
	99101-ZH8-0600	JET, MAIN, #60	1	1	-	-			
	99101-ZH8-0650	JET, MAIN, #65	-	-	(1)	(1)	(1)		
	99101-ZH8-0680	JET, MAIN, #68	-	-	(1)	(1)	(1)		
	99101-ZH8-0700	JET, MAIN, #70	-	-	1	1	1		
26	99204-ZE0-0380	JET SET, PILOT, #38							
		(CARBURETOR NO.)	-	-	1	1	----- BE06K B C,G,L,LS,M,R,S,U		
	99204-ZE0-0350	JET SET, PILOT, #35	1	1	-	-			
		(CARBURETOR NO.)	-	-	1	1	----- C/A,G/A,L/A,LS/A,M/A,R/A,S/A,U/A		
		//	-	-	1	1	BE65E B ----- C,G,L,LS,M,R,S,U		
27	16016-ZH7-W01	SCREW SET, PILOT	-	1	1	1	----- C/A,G/A,L/A,LS/A,M/A,R/A,S/A,U/A		
		(CARBURETOR NO.)	-	1	-	-	BE60J B ----- L,LS,R,S		
		//	-	-	1	1	BE65E B ----- C,G,L,LS,M,R,S,U		



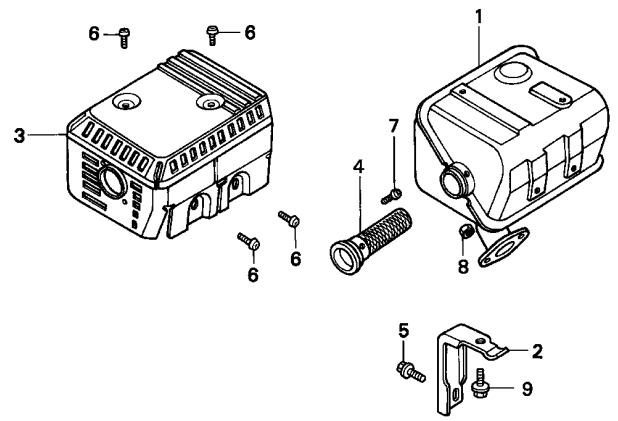


Service item	F.R.T.
ELBOW COMP., AIR CLEANER	0.1
.ELEMENT, AIR CLEANER	
.FILTER, OUTER	
.NOSE, SILENCER	

Ref. No.	Part No.	Description	Reqd. QTY					Serial No.	Parts catalogue code
			1200	1400	EZ 1800	2200	2500		
1	16271-ZE1-000	PACKING, ELBOW	1	1	1	1	1		
2	17210-ZE0-822	ELEMENT, AIR CLEANER (DUAL) ..	1	1	-	-	-		
	17210-ZE1-822	-	-	1	1	1		
3	17218-ZE0-821	FILTER, OUTER	1	1	-	-	-		
	17218-ZE1-821	-	-	1	1	1		
4	17230-ZE0-820	COVER, AIR CLEANER (DUAL) ...	1	1	-	-	-		
	17230-ZE1-820	-	-	1	1	1		
5	17232-891-000	GROMMET, AIR CLEANER	1	1	1	1	1		
6	17235-ZE1-831	NOSE, SILENCER	1	1	1	1	1		
7	17238-ZE0-010	COLLAR, AIR CLEANER	2	2	-	-	-		
	17238-ZE7-010	-	-	2	2	2		
8	17239-ZE1-000	COLLAR B, AIR CLEANER	1	1	1	1	1		
9	17410-ZE0-030	ELBOW COMP., AIR CLEANER	1	1	-	-	-		
	17410-ZE1-020	-	-	1	1	1		
10	90325-044-000	NUT, TOOL BOX SETTING	2	2	2	2	2		
11	94050-06000	NUT, FLANGE, 6MM	2	2	2	2	2		
12	95701-06020-00	BOLT, FLANGE, 6X20	1	1	1	1	1		

2

FR. →

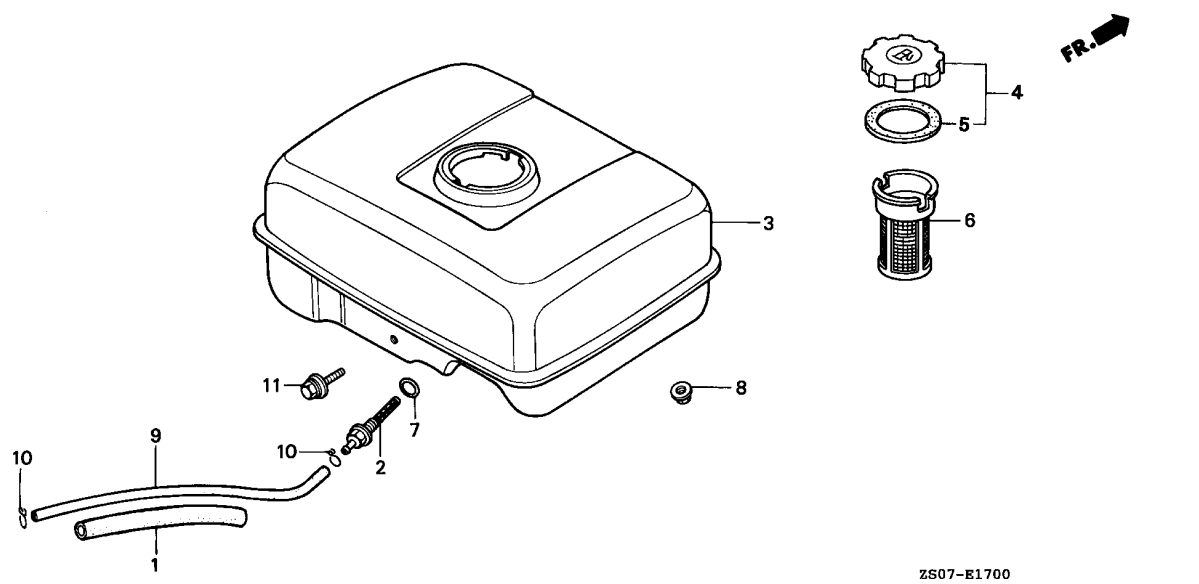


ZS07-E1600

Service item	F.R.T.
ARRESTER, SPARK	0.2
.MUFFLER COMP.	
.PROTECTOR, MUFFLER	

Ref. No.	Part No.	Description	Reqd. QTY					Serial No.	Parts catalogue code
			1200	1400	EZ 1800	2200	2500		
1	18310-ZE1-821	MUFFLER COMP. (SILENT)	1	1	1	1	1		
2	18315-ZE1-000	STAY, MUFFLER	1	1	1	1	1		
3	18320-ZF1-H51	PROTECTOR, MUFFLER (SILENT) ..	1	1	1	1	1		
4	18355-ZE1-810	ARRESTER, SPARK (SILENT)	1	1	1	1	1		
5	90016-ZE1-000	BOLT, FLANGE, 6X13	1	1	1	1	1		
6	90050-ZE1-000	SCREW, TAPPING, 5X8	4	4	4	4	4		
7	90055-ZE1-000	SCREW, TAPPING, 4X6	1	-	-	-	-		
	90056-ZL0-000	-	1	-	-	-	----- M	
			-	-	1	1	1	----- L,L/A,LS,LS/A,R,R/A,S,S/A	
8	94001-08000-0S	NUT, HEX., 8MM	2	2	2	2	2		
9	95701-06012-00	BOLT, FLANGE, 6X12	1	1	1	1	1		



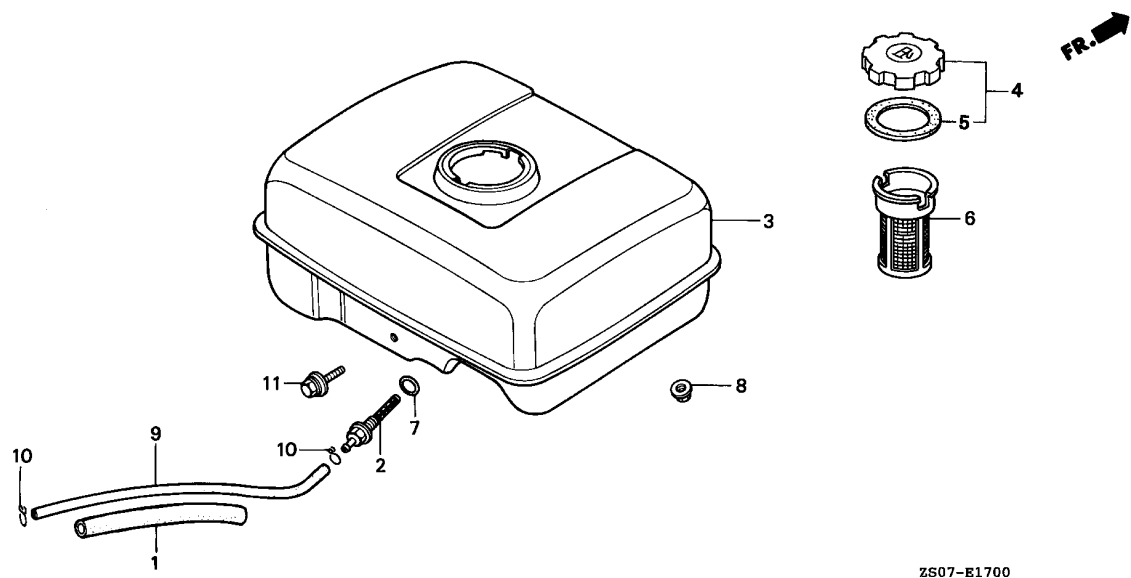


Service item	F.R.T.
FILTER, FUEL	0.1
JOINT, FUEL TANK	0.2
O-RING, 14MM	
TANK COMP., FUEL	
TUBE, FUEL, 4.5X140	

ZS07-E1700

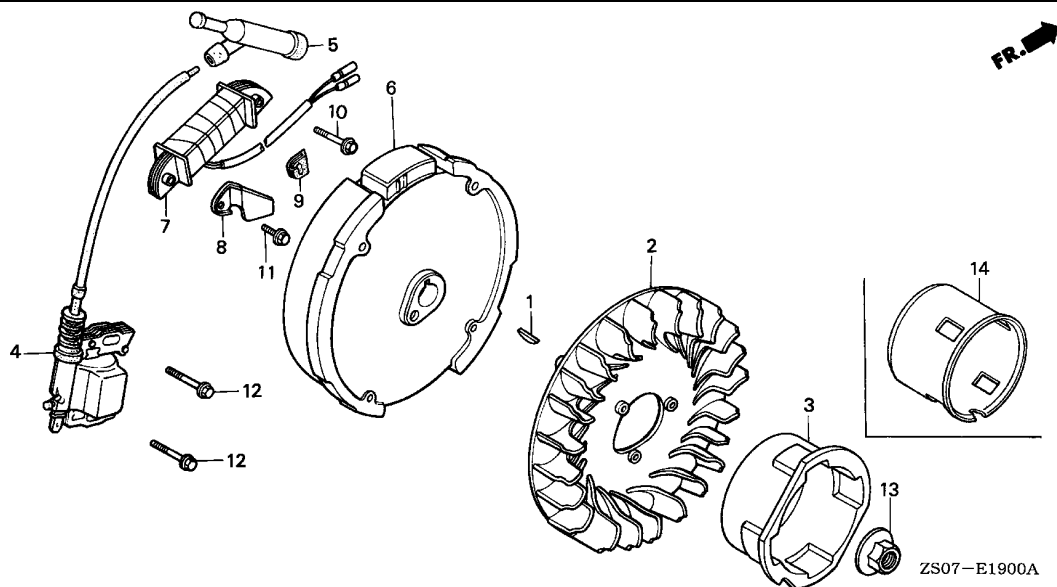
Ref. No.	Part No.	Description	Reqd. QTY					Serial No.	Parts catalogue code
			1200	1400	EZ 1800	2200	2500		
1	16854-ZH8-000	RUBBER, SUPPORTER (107MM) ...	1	1	1	1	1		
2	16955-ZE1-000	JOINT, FUEL TANK	1	1	1	1	1		
3	17510-ZE0-020ZB	TANK COMP., FUEL							
	R8BRIGHT RED	1	-	-	-	-		
			-	1	-	-	-	----- M	
	17510-ZE1-020ZB	*R8*.....BRIGHT RED	-	-	1	1	1	----- 4147626 L,LS,R,S	
	17510-ZE0-020ZL	*R280*.....POWER RED	-	1	-	-	-	----- 8377019 C,G,L,LS,M,R,S,U	
			-	1	-	-	-	----- L/A,LS/A,R/A,S/A	
	17510-ZE1-020ZN	*R280*.....POWER RED	-	1	-	-	-	----- 4147627 ----- L,LS,R,S	
			-	-	1	1	1	----- C/A,G/A,L/A,LS/A,M/A,R/A,S/A,U/A	
4	17620-ZH7-013	CAP COMP., FUEL FILLER	1	-	-	-	-	----- 8377020 C,G,L,LS,M,R,S,U	
			-	1	-	-	-	----- 3053130	
			-	-	1	1	1	----- 3053130 L,LS,M,R,S	
	17620-ZH7-023	CAP COMP., FUEL FILLER (BLACK)	1	-	-	-	-	----- 4705772 C,G,L,LS,M,R,S,U	
			-	1	-	-	-	----- 3053131	
			-	1	-	-	-	----- 3053131 ----- M	
			-	-	1	1	1	----- 4203082 L,LS,R,S	
	17620-Z0T-814	CAP COMP., FUEL FILLER (CHROME PLATED)	-	1	1	1	1	----- 8542059 C,G,L,LS,M,R,S,U	
			-	1	-	-	-	----- 4203083 ----- L,LS,R,S	
			-	-	1	1	1	----- 8542060 ----- C,G,L,LS,M,R,S,U	
5	17631-ZH7-003	PACKING, FUEL FILLER CAP (39X58X3)	1	-	-	-	-		
			-	1	-	-	-	----- M	
			-	1	-	-	-	----- 4203082 L,LS,R,S	
			-	-	1	1	1	----- 8542059 C,G,L,LS,M,R,S,U	

2



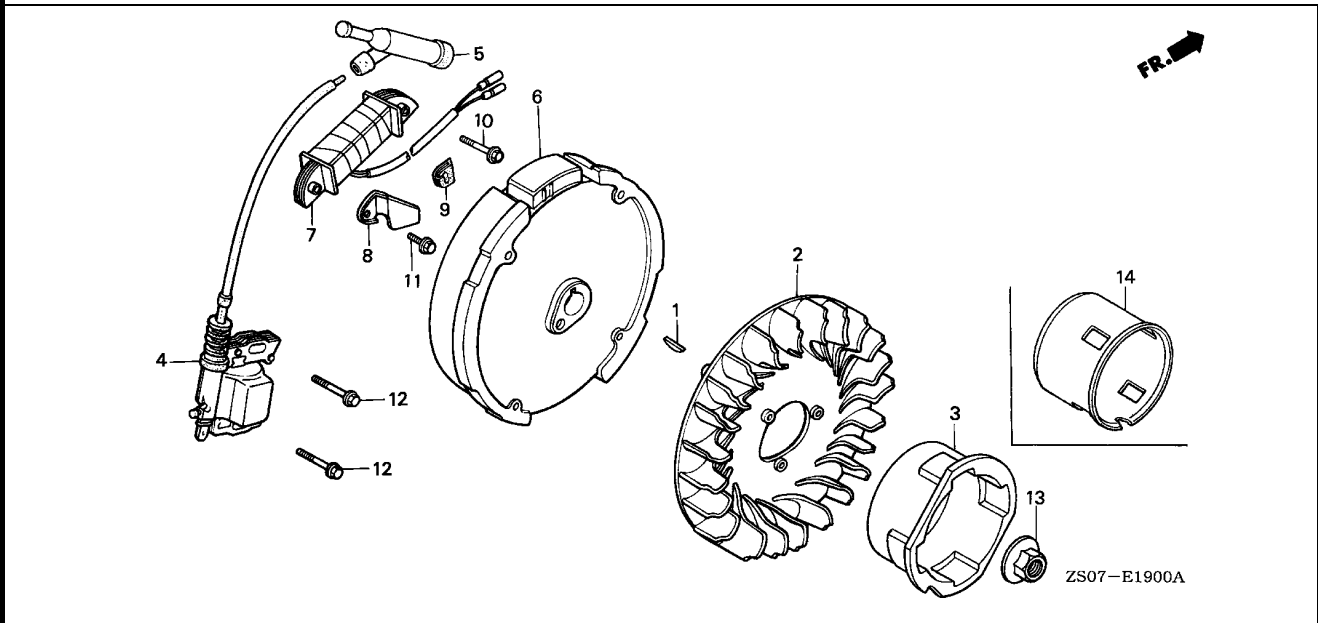
Ref. No.	Part No.	Description	Reqd. QTY					Serial No.	Parts catalogue code
			1200	1400	EZ 1800	2200	2500		
(5)	17631-Z0T-812	PACKING, FUEL FILLER CAP (39X62X3)	-	1	1	1	1	-----	C/A,G/A,L/A,LS/A,M/A,R/A,S/A,U/A
			-	1	-	-	-	4203083	L,LS,R,S
			-	-	1	1	1	8542060	C,G,L,LS,M,R,S,U
6	17672-ZE2-W01	FILTER, FUEL	1	1	1	1	1		
7	91353-671-004	O-RING, 14MM(NOK)	1	1	1	1	1		
8	94050-06000	NUT, FLANGE, 6MM	2	2	2	2	2		
9	95001-45140-40	TUBE, FUEL, 4.5X140 (95001-45001-60M)	1	1	1	1	1		
10	95002-02080	CLIP, TUBE (B8)	2	2	2	2	2		
11	95701-06025-00	BOLT, FLANGE, 6X25	1	-	-	-	-	-----	M
			-	1	-	-	-	3890882	L,LS,R,S
			-	1	-	-	-	7552935	C,G,L,LS,M,R,S,U
	90004-ZH7-003	BOLT, FLANGE, 6X29	-	1	1	1	1	-----	C/A,G/A,L/A,LS/A,M/A,R/A,S/A,U/A
			-	1	-	-	-	3890883	L,LS,R,S
			-	-	1	1	1	7552936	C,G,L,LS,M,R,S,U





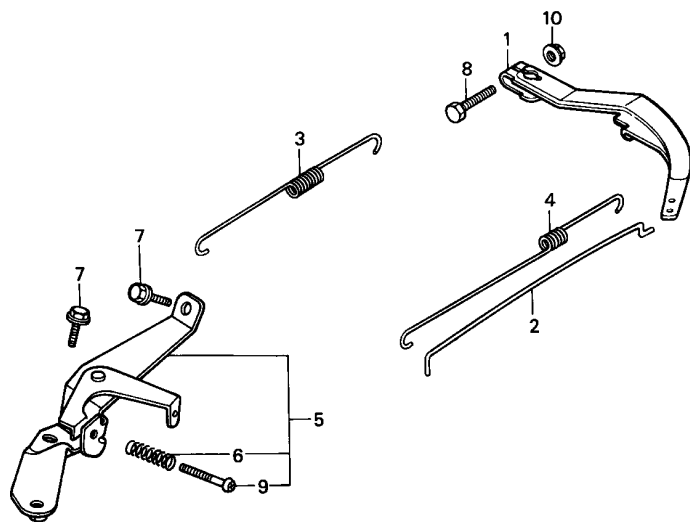
Service item	F.R.T.
CAP ASSY., NOISE SUPPRESSOR ..	0.1
FAN, COOLING	0.2
.PULLEY, STARTER	
COIL ASSY., BACK UP	0.3
.COIL ASSY., IGNITION	
.FLYWHEEL COMP.	

Ref. No.	Part No.	Description	Reqd. QTY					Serial No.	Parts catalogue code
			1200	1400	EZ 1800	2200	2500		
1	13331-357-000	KEY, SPECIAL WOODRUFF, 25X18	1	1	1	1	1		
2	19511-ZE0-000	FAN, COOLING	1	1	-	-	-		
	19511-ZE1-000	-	-	1	1	1		
3	28451-ZH8-003	PULLEY, STARTER	1	-	-	-	-		
			-	1	1	1	1	----- G,M	
			-	1	-	-	-	----- 3917140 L,LS,R,S	
			-	-	1	1	1	----- C,L,LS,R,S,U	
			-	-	1	1	1	----- 8805657 C/A,G/A,L/A,LS/A,M/A,R/A,S/A,U/A	
	28451-ZH7-003	-	1	-	-	-	----- 3917141 L,LS,R,S	
			-	1	-	-	-	----- 4363433 L/A,LS/A,R/A,S/A	
4	30500-ZE1-033	COIL ASSY., IGNITION	1	-	-	-	-		
			-	1	-	-	-	----- M	
			-	1	-	-	-	----- 4075104 L,LS,R,S	
			-	-	1	1	1	----- 8074561 C,G,L,LS,M,R,S,U	
	30500-ZE1-043	-	1	1	1	1	----- C/A,G/A,L/A,LS/A,M/A,R/A,S/A,U/A	
			-	1	-	-	-	----- 4075105 L,LS,R,S	
			-	-	1	1	1	----- 8074562 C,G,L,LS,M,R,S,U	
5	30700-ZE1-013	CAP ASSY., NOISE SUPPRESSOR (NICHIIWA Y-EZ RTFM256)	1	1	1	1	1		
6	31100-ZE0-811	FLYWHEEL COMP. (LAMP)	1	1	-	-	-		
	31100-ZE1-811	-	-	1	1	1		
7	31510-ZB2-801	COIL ASSY., BACK UP	1	1	-	1	-		
			-	-	1	-	1	----- L,L/A,LS,LS/A,M,M/A,R/R/A,S,S/A	
	31510-ZB2-841	-	-	1	-	1	----- C,C/A	
8	31511-ZE1-000	CLAMPER, CORD	1	1	1	1	1		
9	31512-ZE1-000	GROMMET, CORD	1	1	1	1	1		
10	90015-883-000	BOLT, FLANGE, 6X28	2	2	2	2	2		



Ref. No.	Part No.	Description	Reqd. QTY					Serial No.	Parts catalogue code
			1200	1400	EZ 1800	2200	2500		
11	90019-883-000	BOLT, FLANGE, 5X10	1	1	1	1	1		
12	90121-952-000	BOLT, FLANGE, 6X25	2	2	2	2	2		
13	90201-878-003	NUT, SPECIAL, 14MM	1	1	1	1	1		
14	28451-ZH8-801	PULLEY, STARTER	-	-	1	1	1	8805658 ----- C/A,G/A,L/A,LS/A,M/A,R/A,S/A,U/A	
	28451-ZH7-801	-	1	-	-	-	4363434 ----- L/A,LS/A,R/A,S/A	

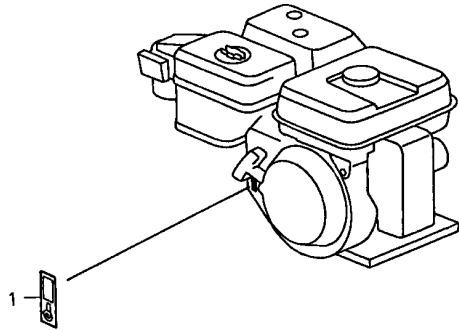




ZS07-E2200

Service item	F.R.T.
CONTROL ASSY.	0.2
.SPRING, GOVERNOR	
ARM, GOVERNOR	0.3
.ROD, GOVERNOR	
.SPRING, THROTTLE RETURN	

Ref. No.	Part No.	Description	Reqd. QTY					Serial No.	Parts catalogue code
			1200	1400	EZ 1800	2200	2500		
1	16551-ZE0-010	ARM, GOVERNOR	1	1	1	1	1		
2	16555-ZE0-000	ROD, GOVERNOR	1	1	-	-	-		
	16555-ZE1-000	-	-	1	1	1		
3	16561-ZE0-020	SPRING, GOVERNOR	1	1	-	-	-		
	16561-ZH8-000	-	-	1	1	1		
4	16562-ZE1-020	SPRING, THROTTLE RETURN	1	1	1	1	1		
5	16570-ZB0-000	CONTROL ASSY.	1	1	-	-	-		
	16570-ZB2-000	-	-	1	1	1		
6	16584-883-300	SPRING, CONTROL ADJUSTING ...	1	1	1	1	1		
7	90013-883-000	BOLT, FLANGE, 6X12(CT200) ...	2	2	2	2	2		
8	90015-ZE5-010	BOLT, GOVERNOR ARM	1	1	1	1	1		
9	93500-05035-0A	SCREW, PAN, 5X35	1	1	1	1	1		
10	94050-06000	NUT, FLANGE, 6MM	1	1	1	1	1		



ZS07-E2800

Service item F.R.T.
NOT INFORMATION

Ref. No.	Part No.	Description	Reqd. QTY					Serial No.	Parts catalogue code
			1200	1400	EZ 1800	2200	2500		
1	87135-ZE2-000	LABEL, E-SPEC (HONDA) (EPA STANDARD)	-	1	-	-	-	3876738 4023825	L,LS,R,S
	87135-ZE2-010	LABEL, E-SPEC (EPA STANDARD)	-	1	-	-	1	7493515 7975445	C,G,L,LS,M,R,S,U
	87135-ZE2-020	LABEL, E-SPEC (15.5X27.5) ...	-	1	1	1	1	4023826 7975446	L,LS,R,S C,G,L,LS,M,R,S,U
			-	1	1	1	1	-----	C/A,G/A,L/A,LS/A,M/A,R/A,S/A,U/A



EOP-1

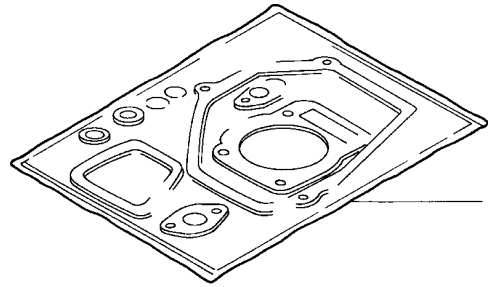
GASKET KIT

D 7

Service item

F.R.T.

NOT INFORMATION



HENG-X0003

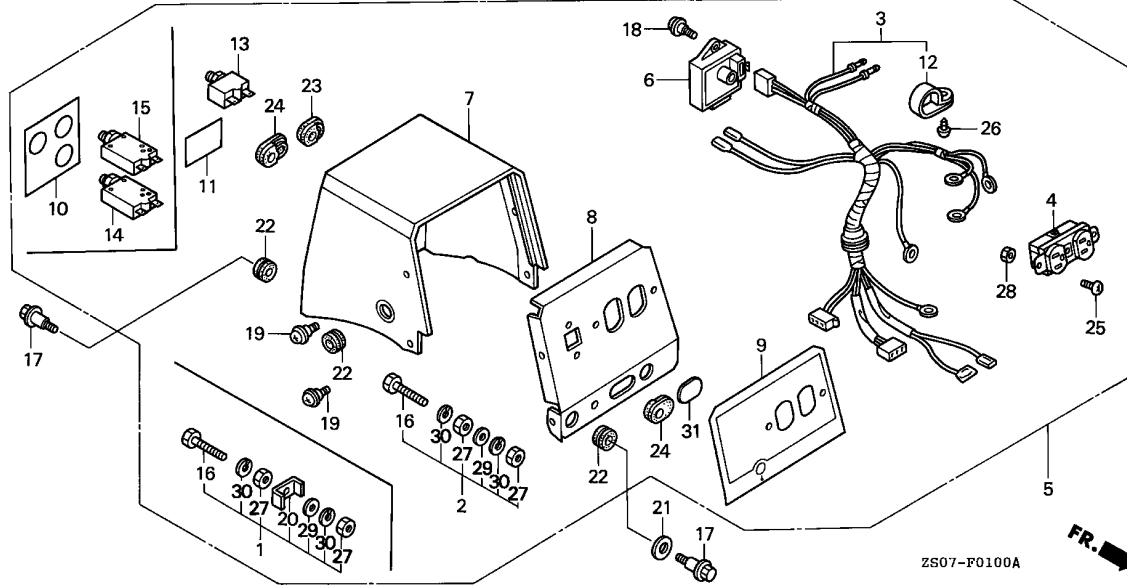
Ref. No.	Part No.	Description	Reqd. QTY					Serial No.	Parts catalogue code
			1200	1400	EZ 1800	2200	2500		
1	06111-ZH7-D00	GASKET KIT	1	1	-	-	-		
	06111-ZH8-D00	-	-	1	1	1		

2

F-1

CONTROL BOX(1)

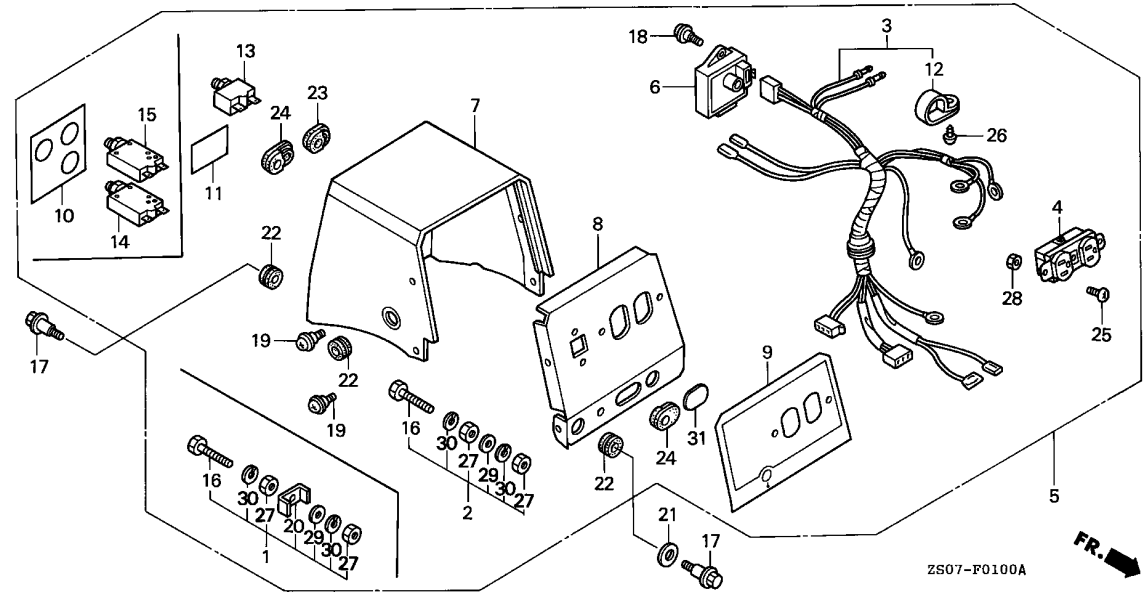
E 1



Service item	F.R.T.
BOX ASSY., CONTROL	0.2
.TERMINAL SET, EARTH	
PROTECTOR, CIRCUIT	0.3
CONSENT	0.4
.PANEL, FR.	
.REGULATOR UNIT, AUTOMATIC	
VOLTAGE	
HARNESS ASSY., WIRE	0.6

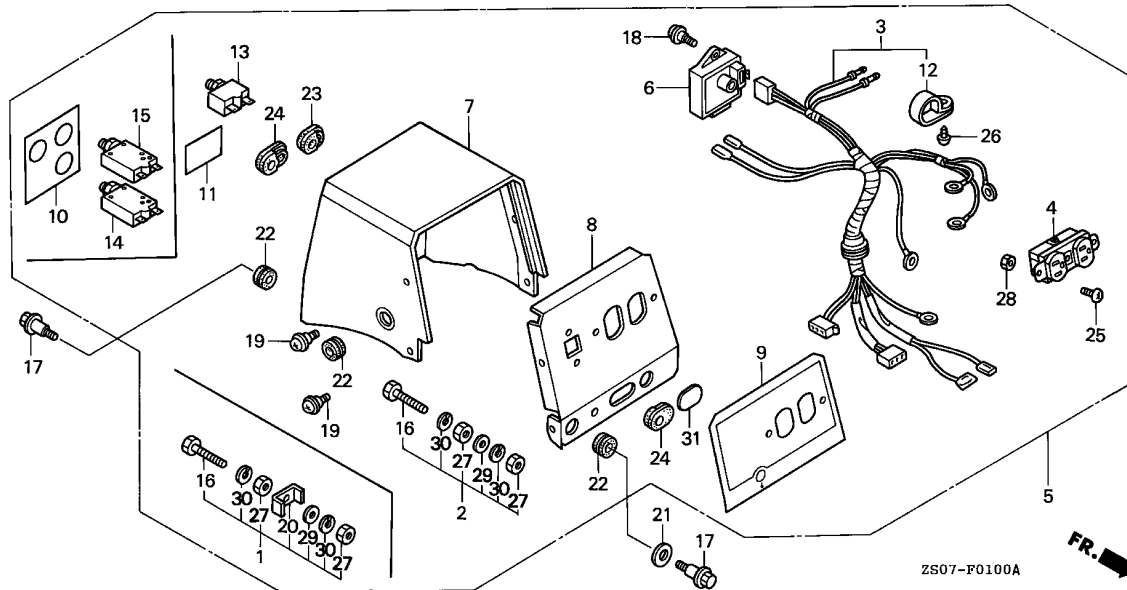
Ref. No.	Part No.	Description	Reqd. QTY					Serial No.	Parts catalogue code
			1200	1400	EZ 1800	2200	2500		
1	31428-899-840	TERMINAL SET, EARTH	-	1	-	1	-----	C,C/A	
2	31436-ZS2-H61	TERMINAL SET, EARTH	-	1	1	-	-----	L,L/A	
3	32100-ZS0-G31	HARNESS ASSY., WIRE	-	1	1	-	-----	L,L/A	
	32100-ZS1-G41	-	-	1	-	-----	C,C/A	
	32100-ZS2-G31	-	-	-	1	-----	L,L/A	
	32100-ZS2-G41	-	-	-	1	-----	C,C/A	
4	32330-ZA3-003	CONSENT (15A-125V)	-	1	1	-	-----	L,L/A	
	32330-899-841	RECEPTACLE (15A/125V)	-	-	1	-	-----	C,C/A	
		-	-	-	1	-----	L,L/A	
5	32340-ZS0-G31	BOX ASSY., CONTROL (EZ-A)	-	1	-	-	1012988	L	
	32340-ZS1-H31	BOX ASSY., CONTROL (EZ-L)	-	-	1	-	1013182	L	
	32340-ZS2-G31	BOX ASSY., CONTROL (EZ-A)	-	-	-	1	1077109	L	
	32340-ZS0-G32	-	1	-	-	-----	L/A	
		-	1	-	-	1012989	L	
	32340-ZS1-G42	BOX ASSY., CONTROL (EZ-C)	-	-	1	-	1012983	C	
	32340-ZS1-H32	BOX ASSY., CONTROL (EZ-L)	-	-	1	-	-----	L/A	
		-	-	1	-	1013183	L	
	32340-ZS2-G32	BOX ASSY., CONTROL (EZ-A)	-	-	-	1	-----	L/A	
		-	-	-	1	1077110	L	
	32340-ZS2-G42	BOX ASSY., CONTROL (EZ-C)	-	-	-	1	-----	1077751	
	32340-ZS1-G43	-	-	1	-	-----	C/A	
		-	-	1	-	1012984	C	
	32340-ZS2-G43	-	-	-	1	-----	C/A	
		-	-	-	1	1077752	C	
6	32350-ZB3-703	REGULATOR UNIT, AUTOMATIC VOLTAGE	-	1	1	-	-----	C,C/A,L,L/A	
7	32351-ZS1-G41	COVER, CONTROL BOX	-	-	1	-	1012983	C	
	32351-ZS2-G41	-	-	-	1	1077751	C	

3



Ref. No.	Part No.	Description	Reqd. QTY					Serial No.	Parts catalogue code
			1200	1400	EZ 1800	2200	2500		
(7)	32351-ZS2-H61	COVER, CONTROL BOX	-	1	-	-	-	1012978 L	
			-	-	1	-	-	1013042 L	
			-	-	-	1	-	1077470 L	
	32351-ZS1-G42	-	-	1	-	-	----- C/A	
			-	-	-	-	1012984	----- C	
	32351-ZS2-G42	-	-	-	1	-	----- C/A	
			-	-	-	1	1077752	----- C	
	32351-ZS2-H62	-	1	1	-	1	----- L/A	
			-	1	-	-	-	1012979	----- L
			-	-	1	-	-	1013043	----- L
			-	-	-	-	1	1077471	----- L
8	32352-ZS2-G31	PANEL, FR.	-	1	1	-	1	----- L,L/A	
			-	-	1	-	-	----- C,C/A	
	32352-ZS2-G41	PANEL, FR. (EZ-C)	-	-	-	-	1	----- C,C/A	
9	32366-ZS0-G31	MARK, PANEL SWITCH	-	1	1	-	-	----- L,L/A	
	32366-ZS1-G41	-	-	1	-	-	----- C,C/A	
	32366-ZS2-G31	-	-	-	-	1	----- L,L/A	
	32366-ZS2-G41	-	-	-	-	1	----- C,C/A	
10	32368-ZS2-G41	MARK, PROTECTOR (ON-OFF) (C TYPE)	-	-	-	-	1	----- C,C/A	
11	32368-ZS2-H61	MARK, PROTECTOR (ON-OFF)	-	1	1	-	1	----- L,L/A	
			-	-	1	-	-	----- C,C/A	
12	32610-ZS2-H61	TIE, CABLE	-	1	1	-	1	----- C,C/A,L,L/A	
13	38240-ZS0-G31	PROTECTOR, CIRCUIT (13A)	-	1	-	-	-	----- L,L/A	
	38240-ZS1-G41	PROTECTOR, CIRCUIT (15A)	-	-	1	-	-	1000077	C
	38241-ZS2-G41	-	-	1	-	-	----- C/A	
			-	-	1	-	-	----- C	
			-	-	1	-	-	1000078	C
	38240-ZS1-H31	PROTECTOR, CIRCUIT (16A)	-	-	1	-	-	----- L,L/A	

3



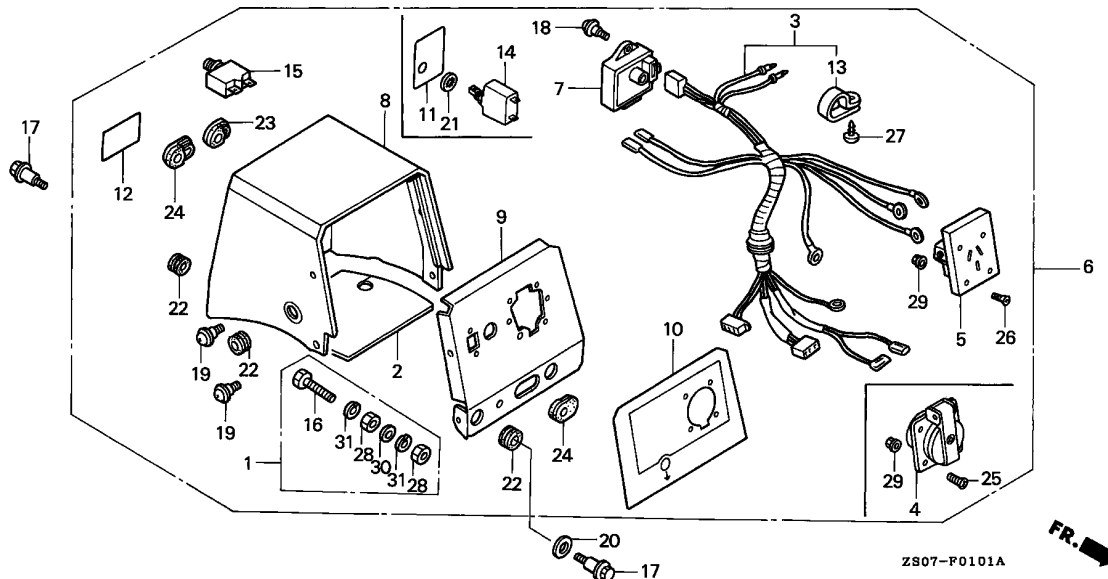
Ref. No.	Part No.	Description	Reqd. QTY					Serial No.	Parts catalogue code
			1200	1400	EZ 1800	2200	2500		
13)	38240-ZS2-G31	PROTECTOR, CIRCUIT (20A)	-	-	-	-	1	-----	L,L/A
14	38240-ZS2-G41	PROTECTOR, CIRCUIT (20A)	-	-	-	-	1	-----	C,C/A
15	38241-ZS2-G41	PROTECTOR, CIRCUIT (15A)	-	-	-	-	1	-----	C,C/A
16	90011-899-840	BOLT, HEX., 6X28	-	1	1	-	1	-----	C,C/A,L,L/A
17	90102-ZS2-H61	BOLT, ADJUSTING, 6X20	-	4	4	-	4	-----	C,C/A,L,L/A
18	90104-ZS2-H61	SCREW, SPECIAL, 5X12	-	2	2	-	2	-----	C,C/A,L,L/A
19	90105-ZS2-H61	SCREW, SPECIAL, 4X7.5	-	4	4	-	4	-----	C,C/A,L,L/A
20	90501-ZA7-640	RETAINER, 6MM	-	-	1	-	1	-----	C,C/A
21	90501-ZS2-H61	WASHER, PLAIN, 21MM	-	2	2	-	2	-----	C,C/A,L,L/A
22	90852-898-000	RUBBER, CONTROL BOX	-	3	3	-	4	-----	C,C/A,L,L/A
23	90853-ZA3-000	RUBBER, CONTROL BOX	-	-	-	-	1	-----	C,C/A,L,L/A
24	90853-ZS2-H61	RUBBER, CONTROL BOX	-	2	2	-	-	-----	C,C/A,L,L/A
25	93500-04006-1A	SCREW, PAN, 4X6	-	2	2	-	-	-----	L,L/A
	93500-04016-0A	SCREW, PAN, 4X16	-	-	2	-	2	-----	C,C/A
			-	-	-	-	2	-----	L,L/A
26	93901-34320	SCREW, TAPPING, 4X12	-	1	1	-	1	-----	C,C/A,L,L/A
27	94001-06390-OS	NUT, HEX., 6MM	-	2	2	-	2	-----	C,C/A,L,L/A
28	94050-04000	NUT, FLANGE, 4MM	-	-	2	-	2	-----	C,C/A
			-	-	-	-	2	-----	L,L/A
29	94101-06800	WASHER, PLAIN, 6MM	-	1	1	-	1	-----	C,C/A,L,L/A
30	94111-06800	WASHER, SPRING, 6MM	-	2	2	-	2	-----	C,C/A,L,L/A
31	32358-ZS1-G01	PLATE, SEAL (NH105)	-	-	1	-	-	-----	C,C/A



F-1-1

CONTROL BOX(2)

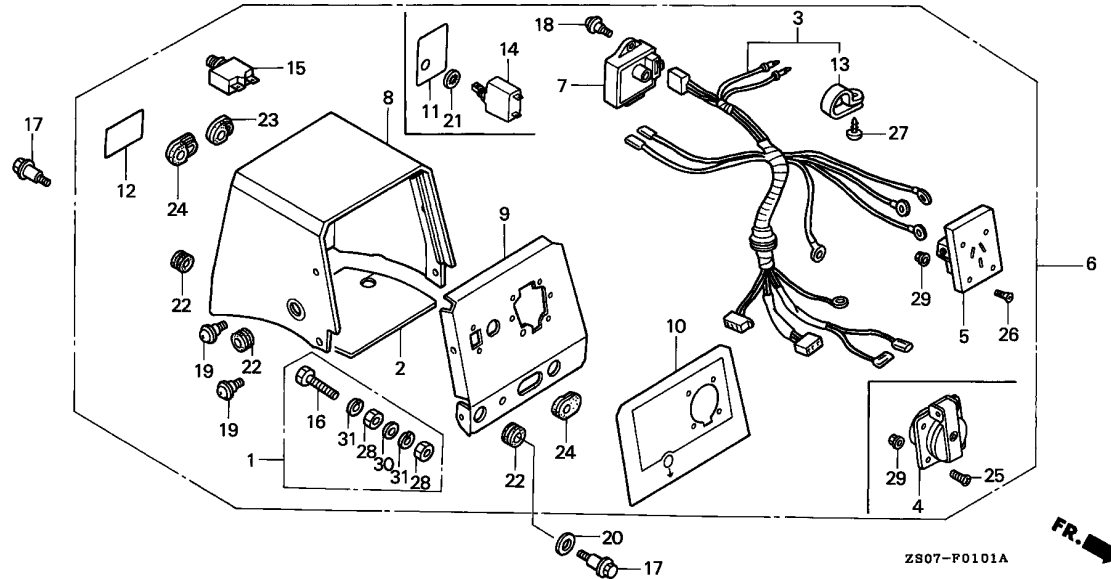
E 4



Service item	F.R.T.
BOX ASSY., CONTROL	0.2
. TERMINAL SET, EARTH	
PROTECTOR, CIRCUIT	0.3
PANEL, FR.	0.4
. RECEPTACLE	
. REGULATOR UNIT, AUTOMATIC	
VOLTAGE	
. SOCKET	
HARNESS ASSY., WIRE	0.6

3

Ref. No.	Part No.	Description	Reqd. QTY				Serial No.	Parts catalogue code	
			1200	1400	EZ 1800	2200 2500			
1	31436-ZS2-H61	TERMINAL SET, EARTH	1	-	-	1	-		
2	31460-ZS2-G61	COVER, CONTROL BOX UNDER	-	-	-	1	-----	G,G/A	
3	32100-ZS2-H61	HARNESS ASSY., WIRE	1	-	-	-	-----	U,U/A	
	32100-ZS2-G61	-	-	-	1	-----	G,G/A	
4	32331-875-610	RECEPTACLE (16A/250V)	-	-	-	1	-----	G,G/A	
5	32332-892-660	SOCKET (10A/250V)	1	-	-	-	-----	U,U/A	
			-	-	-	1	-----	U,U/A	
6	32340-ZS0-G81	BOX ASSY., CONTROL (EZ-U)	1	-	-	-	-----		
	32340-ZS2-G81	-	-	-	1	-----	1077292 U	
	32340-ZS2-G61	BOX ASSY., CONTROL (EZ-G)	-	-	-	1	-----	1077321 G	
	32340-ZS2-G82	BOX ASSY., CONTROL (EZ-U)	-	-	-	1	-----	U/A	
			-	-	-	1	1077293	-----	U
			-	-	-	1	1077322	-----	G/A
			-	-	-	1	-----	G	
7	32350-ZB3-703	REGULATOR UNIT, AUTOMATIC							
		VOLTAGE	1	-	-	1	-		
8	32351-ZS2-H61	COVER, CONTROL BOX	1	-	-	-	-----	1077292 U	
			-	-	-	1	-----	1077321 G	
	32351-ZS2-H62	-	-	-	1	-----	G/A,U/A	
			-	-	-	1	1077293	-----	U
			-	-	-	1	1077322	-----	G
9	32352-ZS2-H61	PANEL, FR. (EZ-R)	1	-	-	1	-		
10	32366-ZS2-G81	MARK, PANEL SWITCH	1	-	-	-	-----	U,U/A	
			-	-	-	1	-----	G,G/A	
	32366-ZS2-G61	-	-	-	1	-----	G,G/A	

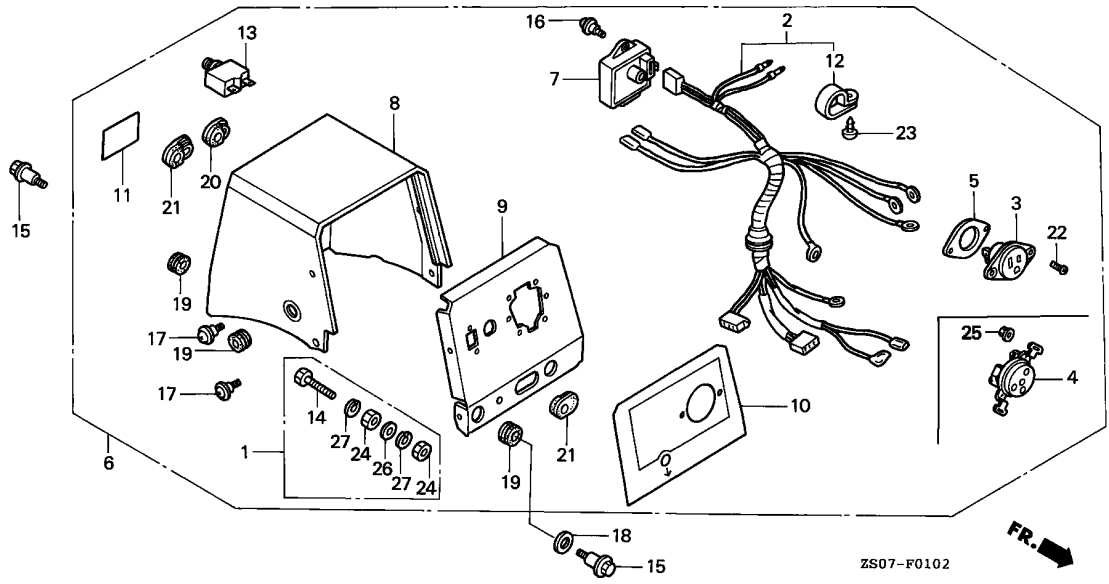


Ref. No.	Part No.	Description	Reqd. QTY				Serial No.	Parts catalogue code
			1200	1400	EZ 1800	2200 2500		
11	32368-ZS2-G61	MARK, PROTECTOR (ON-OFF)	1	-	-	1	-----	G,G/A
12	32368-ZS2-H61	MARK, PROTECTOR (ON-OFF)	-	-	-	1	-----	U,U/A
13	32610-ZS2-H61	TIE, CABLE	1	-	-	1	-----	U,U/A
14	38220-ZB3-G60	PROTECTOR, CIRCUIT (9A)	-	-	-	1	-----	G,G/A
15	38240-ZS0-H61	PROTECTOR, CIRCUIT (7A)	1	-	-	-	-----	U,U/A
	38240-ZS2-G81	PROTECTOR, CIRCUIT (8A)	-	-	-	1	-----	U,U/A
16	90011-899-840	BOLT, HEX., 6X28	1	-	-	1	-----	
17	90102-ZS2-H61	BOLT, ADJUSTING, 6X20	4	-	-	4	-----	
18	90104-ZS2-H61	SCREW, SPECIAL, 5X12	2	-	-	2	-----	
19	90105-ZS2-H61	SCREW, SPECIAL, 4X7.5	4	-	-	4	-----	
20	90501-ZS2-H61	WASHER, PLAIN, 21MM	2	-	-	2	-----	
21	90502-ZS2-G01	WASHER, CROWN	-	-	-	1	-----	G,G/A
22	90852-898-000	RUBBER, CONTROL BOX	3	-	-	4	-----	
23	90853-ZA3-000	RUBBER, CONTROL BOX	-	-	-	1	-----	
24	90853-ZS2-H61	RUBBER, CONTROL BOX	2	-	-	-	-----	
25	93600-04012-1A	SCREW, FLAT, 4X12	-	-	-	4	-----	G,G/A
26	93600-04016-1A	SCREW, FLAT, 4X16	4	-	-	-	-----	U,U/A
			-	-	-	4	-----	
27	93901-34320	SCREW, TAPPING, 4X12	1	-	-	1	-----	
28	94001-06390-0S	NUT, HEX., 6MM	2	-	-	2	-----	
29	94050-04000	NUT, FLANGE, 4MM	4	-	-	4	-----	
30	94101-06800	WASHER, PLAIN, 6MM	1	-	-	1	-----	
31	94111-06800	WASHER, SPRING, 6MM	2	-	-	2	-----	

F-1-2

CONTROL BOX(3)

E 6



Service item	F.R.T.
BOX ASSY., CONTROL	0.2
.TERMINAL SET, EARTH	
PROTECTOR, CIRCUIT	0.3
CONSENT	0.4
.PANEL, FR.	
.REGULATOR UNIT, AUTOMATIC VOLTAGE	
.SOCKET	
HARNESS ASSY., WIRE	0.6

3

Ref. No.	Part No.	Description	Reqd. QTY					Serial No.	Parts catalogue code
			1200	1400	EZ 1800	2200	2500		
1	31436-ZS2-H61	TERMINAL SET, EARTH	-	1	-	1	-----	M,M/A,R,R/A,S,S/A	
2	32100-ZS2-H21	HARNESS ASSY., WIRE	-	1	-	1	-----	M,M/A	
	32100-ZS2-H61		-	1	-	1	-----	R,R/A,S,S/A	
3	32330-839-601	CONSENT (10A/250V)	-	1	-	1	-----	R,R/A,S,S/A	
4	32331-ZA8-720	SOCKET (16A/250V)	-	1	-	1	-----	M,M/A	
5	32331-840-168	PLATE, CONSENT SETTING	-	1	-	1	-----	R,R/A,S,S/A	
6	32340-ZS0-G71	BOX ASSY., CONTROL (EZ-S)	-	1	-	-	-----	1012978 S	
	32340-ZS0-H21	BOX ASSY., CONTROL (EZ-M)	-	1	-	-	-----	M	
	32340-ZS0-H61	BOX ASSY., CONTROL (EZ-R)	-	1	-	-	-----	R	
	32340-ZS0-H62		-	1	-	-	-----	R/A	
	32340-ZS1-G71	BOX ASSY., CONTROL (EZ-S)	-	-	1	-	-----	1012972 S	
	32340-ZS1-H61	BOX ASSY., CONTROL (EZ-R)	-	-	1	-	-----	R	
	32340-ZS2-G71	BOX ASSY., CONTROL (EZ-S)	-	-	-	1	-----	1077251 S	
	32340-ZS2-H21	BOX ASSY., CONTROL (EZ-M)	-	-	-	1	-----	1077109 M	
	32340-ZS2-H61	BOX ASSY., CONTROL (EZ-R)	-	-	-	1	-----	1077458 R	
	32340-ZS0-G72	BOX ASSY., CONTROL (EZ-S)	-	1	-	-	-----	S/A	
			-	1	-	-	-----	1012979 S	
	32340-ZS0-H62	BOX ASSY., CONTROL (EZ-R)	-	1	-	-	-----	R/A	
	32340-ZS1-G72	BOX ASSY., CONTROL (EZ-S)	-	-	1	-	-----	1012973 S,S/A	
	32340-ZS1-H62	BOX ASSY., CONTROL (EZ-R)	-	-	1	-	-----	R/A	
	32340-ZS2-G72	BOX ASSY., CONTROL (EZ-S)	-	-	-	1	-----	S/A	
			-	-	-	1	-----	1077252 S	
	32340-ZS2-H22	BOX ASSY., CONTROL (EZ-M)	-	-	-	1	-----	M/A	
			-	-	-	1	-----	1077110 M	
	32340-ZS2-H62	BOX ASSY., CONTROL (EZ-R)	-	-	-	1	-----	R/A	
			-	-	-	1	-----	1077459 R	
7	32350-ZB3-703	REGULATOR UNIT, AUTOMATIC VOLTAGE	-	1	1	-	-----	M,M/A,R,R/A,S,S/A	

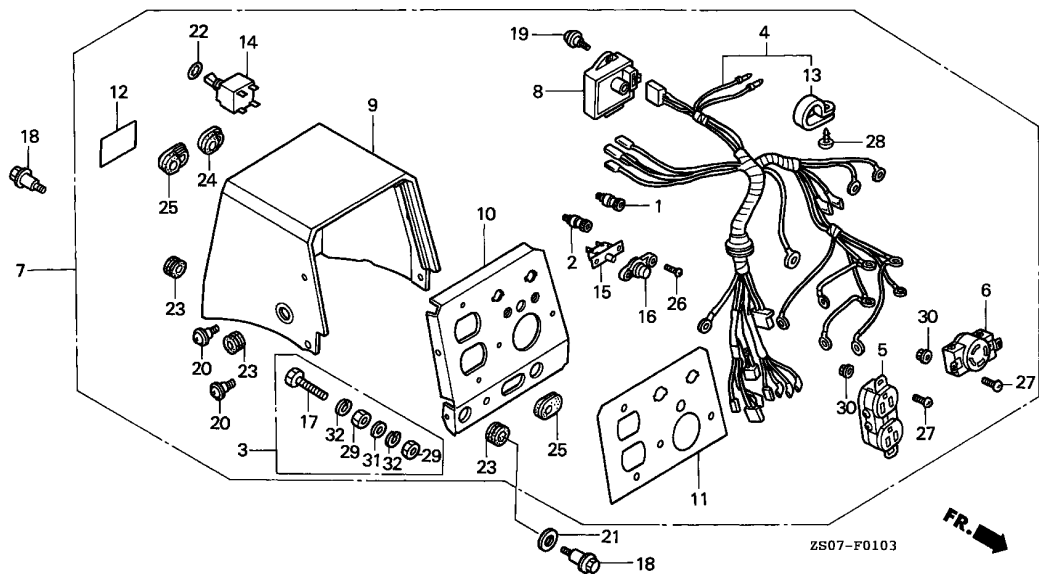
Ref. No.	Part No.	Description	Reqd. QTY					Serial No.	Parts catalogue code
			1200	1400	EZ 1800	2200	2500		
8	32351-ZS2-H61	COVER, CONTROL BOX	-	1	-	-	-	-----	M
			-	1	-	-	-----	1012978	R,S
			-	-	1	-	-----	1012972	S
			-	-	1	-	-----	1013042	R
			-	-	-	1	-----	1077251	S
			-	-	-	1	-----	1077458	R
			-	-	-	1	-----	1077470	M
	32351-ZS2-H62	-	1	1	-	1	-----	M/A,R/A,S/A
			-	1	-	-	-	1012979	R,S
			-	-	1	-	-	1012973	S
			-	-	1	-	-	1013043	R
			-	-	-	1	-	1077252	S
			-	-	-	1	-	1077459	R
			-	-	-	1	-	1077471	M
9	32352-ZS2-H21	PANEL, FR. (EZ-M)	-	1	-	-	1	-----	M,M/A
	32352-ZS2-H61	PANEL, FR. (EZ-R)	-	1	1	-	1	-----	R,R/A,S,S/A
10	32366-ZS2-H21	MARK, PANEL SWITCH	-	1	-	-	1	-----	M,M/A
	32366-ZS2-H61	-	1	1	-	1	-----	R,R/A,S,S/A
11	32368-ZS2-H61	MARK, PROTECTOR (ON-OFF)	-	1	1	-	1	-----	M,M/A,R,R/A,S,S/A
12	32610-ZS2-H61	TIE, CABLE	-	1	1	-	1	-----	M,M/A,R,R/A,S,S/A
13	38240-ZS0-H61	PROTECTOR, CIRCUIT (7A)	-	1	-	-	-	-----	M,R,R/A,S,S/A
	38240-ZS1-G71	PROTECTOR, CIRCUIT (9A)	-	-	1	-	-	-----	S,S/A
	38240-ZS1-H61	PROTECTOR, CIRCUIT (8A)	-	-	1	-	-	-----	R,R/A
	38240-ZS2-G71	PROTECTOR, CIRCUIT (12A)	-	-	-	-	1	-----	S,S/A
	38240-ZS2-H62	-	-	-	-	1	-----	M,M/A,R,R/A
14	90011-899-840	BOLT, HEX., 6X28	-	1	1	-	1	-----	M,M/A,R,R/A,S,S/A
15	90102-ZS2-H61	BOLT, ADJUSTING, 6X20	-	4	4	-	4	-----	M,M/A,R,R/A,S,S/A
16	90104-ZS2-H61	SCREW, SPECIAL, 5X12	-	2	2	-	2	-----	M,M/A,R,R/A,S,S/A
17	90105-ZS2-H61	SCREW, SPECIAL, 4X7.5	-	4	4	-	4	-----	M,M/A,R,R/A,S,S/A
18	90501-ZS2-H61	WASHER, PLAIN, 21MM	-	2	2	-	2	-----	M,M/A,R,R/A,S,S/A
19	90852-898-000	RUBBER, CONTROL BOX	-	3	3	-	4	-----	M,M/A,R,R/A,S,S/A
20	90853-ZA3-000	RUBBER, CONTROL BOX	-	-	-	-	1	-----	M,M/A,R,R/A,S,S/A
21	90853-ZS2-H61	RUBBER, CONTROL BOX	-	2	2	-	-	-----	M,R,R/A,S,S/A
22	93500-04010-0A	SCREW, PAN, 4X10	-	2	-	-	2	-----	M,M/A
	93500-04016-0A	SCREW, PAN, 4X16	-	2	2	-	2	-----	R,R/A,S,S/A
23	93901-34320	SCREW, TAPPING, 4X12	-	1	1	-	1	-----	M,M/A,R,R/A,S,S/A
24	94001-06390-0S	NUT, HEX., 6MM	-	2	2	-	2	-----	M,M/A,R,R/A,S,S/A
25	94050-04000	NUT, FLANGE, 4MM	-	2	-	-	2	-----	M,M/A
26	94101-06800	WASHER, PLAIN, 6MM	-	1	1	-	1	-----	M,M/A,R,R/A,S,S/A
27	94111-06800	WASHER, SPRING, 6MM	-	2	2	-	2	-----	M,M/A,R,R/A,S,S/A



F-1-3

CONTROL BOX(4)

E 8



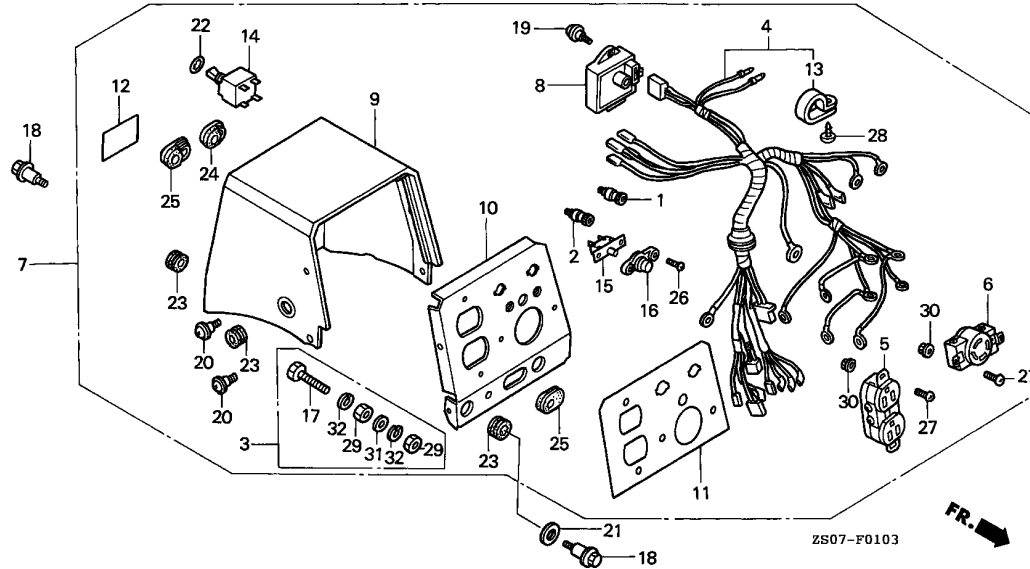
Service item	F.R.T.
BOX ASSY., CONTROL	0.2
.TERMINAL SET, EARTH	
PROTECTOR, CIRCUIT	0.3
PANEL, FR.	0.4
.RECEPTACLE	
.REGULATOR UNIT, AUTOMATIC	
VOLTAGE	
HARNESS ASSY., WIRE	0.6

Ref. No.	Part No.	Description	Reqd. QTY					Serial No.	Parts catalogue code
			1200	1400	EZ 1800	2200	2500		
1	31408-880-000	TERMINAL, D.C. OUTPUT (+) ...	-	1	-	-	1	-----	LS,LS/A
2	31409-880-000	TERMINAL, D.C. OUTPUT (-) ...	-	1	-	-	1	-----	LS,LS/A
3	31436-ZS2-H61	TERMINAL SET, EARTH	-	1	-	-	1	-----	LS,LS/A
4	32100-ZS2-V71	HARNESS ASSY., WIRE	-	1	-	-	1	-----	LS,LS/A
5	32330-899-841	RECEPTACLE (15A/125V)	-	1	-	-	1	-----	LS,LS/A
6	32332-899-630	RECEPTACLE (20A-125/250V) (MATSUSHITA)	-	1	-	-	1	-----	LS,LS/A
7	32340-ZS0-V71	BOX ASSY., CONTROL (EZ-LS) ..	-	1	-	-	1	1012988	LS
	32340-ZS2-V71	-	-	-	-	1	1077198	LS
	32340-ZS0-V72	-	1	-	-	-	-----	LS/A
	32340-ZS2-V72	-	-	-	-	1	1012989	LS
	32340-ZS2-V72	-	-	-	-	1	1077199	LS/A
8	32350-ZB3-703	REGULATOR UNIT, AUTOMATIC VOLTAGE	-	1	-	-	1	-----	LS,LS/A
9	32351-ZS2-V71	COVER, CONTROL BOX	-	1	-	-	1	1012988	LS
	32351-ZS2-V72	-	-	-	-	1	1077198	LS
	32351-ZS2-V72	-	1	-	-	1	-----	LS/A
	32351-ZS2-V72	-	1	-	-	1	1012989	LS
	32351-ZS2-V72	-	-	-	-	1	1077199	LS
10	32352-ZS2-V71	PANEL, FR. (EZ-LS)	-	1	-	-	1	-----	LS,LS/A
11	32366-ZS2-V71	MARK, PANEL SWITCH	-	1	-	-	1	-----	LS,LS/A
12	32368-ZS2-V71	MARK, PROTECTOR (ON-OFF)	-	1	-	-	1	-----	LS,LS/A
13	32610-ZS2-H61	TIE, CABLE	-	1	-	-	1	-----	LS,LS/A
14	38220-ZS0-V70	PROTECTOR, CIRCUIT (6A)	-	1	-	-	1	-----	LS,LS/A
	38220-ZS2-V70	PROTECTOR, CIRCUIT (11A)	-	-	-	-	1	-----	LS,LS/A
15	38240-898-000	PROTECTOR, CIRCUIT (D.C.)	-	1	-	-	1	-----	LS,LS/A

F-1-3

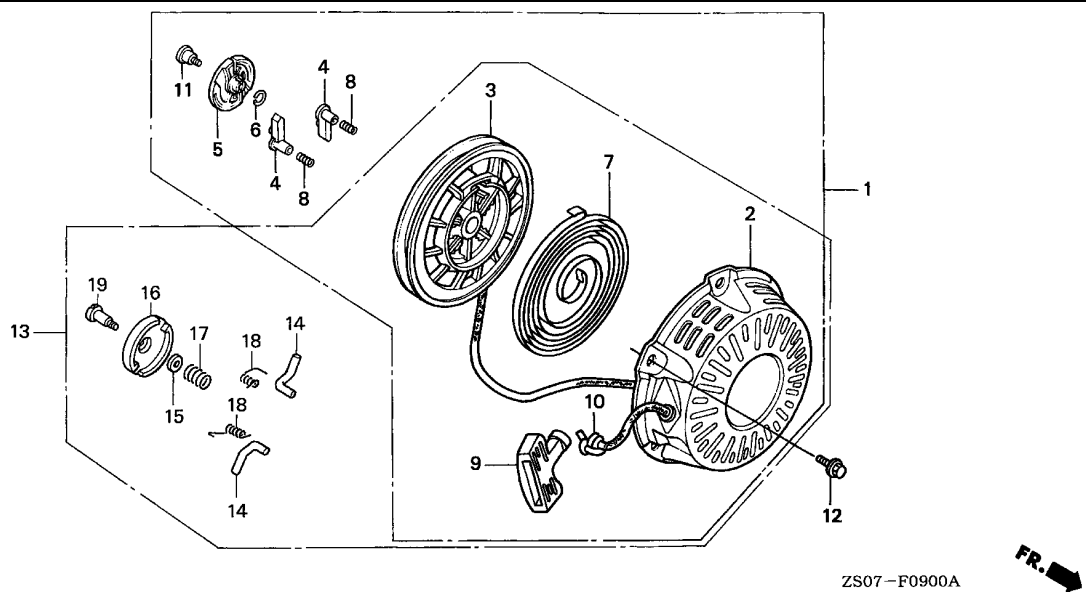
CONTROL BOX(4)

E 9



Ref. No.	Part No.	Description	Reqd. QTY					Serial No.	Parts catalogue code
			1200	1400	EZ 1800	2200	2500		
16	38250-ZA8-701	LENS ASSY., PROTECTOR	-	1	-	-	1	-----	LS,LS/A
17	90011-899-840	BOLT, HEX., 6X28	-	1	-	-	1	-----	LS,LS/A
18	90102-ZS2-H61	BOLT, ADJUSTING, 6X20	-	4	-	-	4	-----	LS,LS/A
19	90104-ZS2-H61	SCREW, SPECIAL, 5X12	-	2	-	-	2	-----	LS,LS/A
20	90105-ZS2-H61	SCREW, SPECIAL, 4X7.5	-	4	-	-	4	-----	LS,LS/A
21	90501-ZS2-H61	WASHER, PLAIN, 21MM	-	2	-	-	2	-----	LS,LS/A
22	90502-ZS2-G01	WASHER, CROWN	-	1	-	-	1	-----	LS,LS/A
23	90852-898-000	RUBBER, CONTROL BOX	-	3	-	-	4	-----	LS,LS/A
24	90853-ZA3-000	RUBBER, CONTROL BOX	-	-	-	-	1	-----	LS,LS/A
25	90853-ZS2-H61	RUBBER, CONTROL BOX	-	2	-	-	1	-----	LS,LS/A
26	93500-03012-1H	SCREW, PAN, 3X12	-	2	-	-	2	-----	LS,LS/A
27	93500-04016-0A	SCREW, PAN, 4X16	-	4	-	-	4	-----	LS,LS/A
28	93901-34320	SCREW, TAPPING, 4X12	-	1	-	-	1	-----	LS,LS/A
29	94001-06390-0S	NUT, HEX., 6MM	-	2	-	-	2	-----	LS,LS/A
30	94050-04000	NUT, FLANGE, 4MM	-	4	-	-	4	-----	LS,LS/A
31	94101-06800	WASHER, PLAIN, 6MM	-	1	-	-	1	-----	LS,LS/A
32	94111-06800	WASHER, SPRING, 6MM	-	2	-	-	2	-----	LS,LS/A

3



ZS07-F0900A

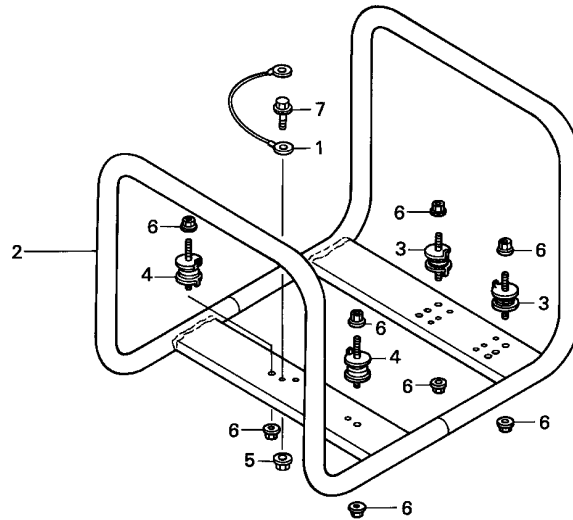
Service item	F.R.T.
STARTER ASSY., RECOIL	0.1
GUIDE, RATCHET	0.2
.RATCHET, STARTER	
REEL, RECOIL STARTER	0.3
.ROPE, RECOIL STARTER	
.SPRING, RECOIL STARTER	



Ref. No.	Part No.	Description	Reqd. QTY					Serial No.	Parts catalogue code
			1200	1400	EZ 1800	2200	2500		
1	28400-ZH8-013ZB	STARTER ASSY., RECOIL *NH1*.....BLACK (ENGINE NO.)	1	-	-	-	-	----- C,G,L,LS,M,R,S,U 4363433 L/A,LS/A,R/A,S/A 8805657 C/A,G/A,L/A,LS/A,M/A,R/A,S/A,U/A	
2	28410-ZH8-003ZB	CASE COMP., RECOIL STARTER *NH1*.....BLACK	1	1	1	1	1	-----	
3	28420-ZH8-013	REEL, RECOIL STARTER (NATURAL) (ENGINE NO.)	1	-	-	-	-	----- C,G,L,LS,M,R,S,U 4363433 L/A,LS/A,R/A,S/A 8805657 C/A,G/A,L/A,LS/A,M/A,R/A,S/A,U/A	
	28421-ZH8-801	REEL, RECOIL STARTER	-	1	-	-	-	4363434 ----- L/A,LS/A,R/A,S/A	
		(ENGINE NO.)	-	-	1	1	1	8805658 ----- C/A,G/A,L/A,LS/A,M/A,R/A,S/A,U/A	
4	28422-ZH8-013	RATCHET, STARTER	2	-	-	-	-	----- C,G,L,LS,M,R,S,U	
		(ENGINE NO.)	-	2	2	2	2	4363433 ----- L/A,LS/A,R/A,S/A	
			-	-	2	2	2	8805657 ----- C/A,G/A,L/A,LS/A,M/A,R/A,S/A,U/A	
5	28433-ZH8-003	GUIDE, RATCHET	1	-	-	-	-	----- C,G,L,LS,M,R,S,U	
		(ENGINE NO.)	-	1	-	-	-	4363433 ----- L/A,LS/A,R/A,S/A	
		//	-	-	1	1	1	8805657 ----- C/A,G/A,L/A,LS/A,M/A,R/A,S/A,U/A	
6	28441-ZH8-003	SPRING, FRICTION	1	-	-	-	-	----- C,G,L,LS,M,R,S,U	
		(ENGINE NO.)	-	1	-	-	-	4363433 ----- L/A,LS/A,R/A,S/A	
			-	-	1	1	1	8805657 ----- C/A,G/A,L/A,LS/A,M/A,R/A,S/A,U/A	
7	28442-ZH8-003	SPRING, RECOIL STARTER	1	1	1	1	1		

Ref. No.	Part No.	Description	Reqd. QTY					Serial No.	Parts catalogue code
			1200	1400	EZ 1800	2200	2500		
8	28443-ZH8-003	SPRING, RETURN (ENGINE NO.)	2	-	-	-	-	-----	C,G,L,LS,M,R,S,U
			-	2	2	2	2	-----	4363433 L/A,LS/A,R/A,S/A
			-	-	2	2	2	-----	8805657 C/A,G/A,L/A,LS/A,M/A,R/A,S/A,U/A
9	28461-ZH8-003	GRIP, STARTER	1	1	1	1	1		
10	28462-ZH8-003	ROPE, RECOIL STARTER	1	1	1	1	1		
11	90003-ZH8-003	SCREW, SETTING (ENGINE NO.)	1	-	-	-	-	-----	C,G,L,LS,M,R,S,U
			-	1	1	1	1	-----	4363433 L/A,LS/A,R/A,S/A
			-	-	1	1	1	-----	8805657 C/A,G/A,L/A,LS/A,M/A,R/A,S/A,U/A
12	95701-06008-00	BOLT, FLANGE, 6X8	3	-	-	-	-	-----	M
	90008-ZE2-003	BOLT, FLANGE, 6X10	-	3	-	-	-	-----	L,L/A,LS,LS/A,R,R/A,S,S/A
			-	-	3	3	3		
13	28400-ZH8-023ZB	STARTER ASSY., RECOIL *NH1*.BLACK (ENGINE NO.)	-	1	-	-	-	4363434	L/A,LS/A,R/A,S/A
			-	-	1	1	1	8805658	C/A,G/A,L/A,LS/A,M/A,R/A,S/A,U/A
14	28422-ZH8-801	RATCHET, STARTER (ENGINE NO.)	-	2	-	-	-	4363434	L/A,LS/A,R/A,S/A
			-	-	2	2	2	8805658	C/A,G/A,L/A,LS/A,M/A,R/A,S/A,U/A
15	28431-ZH8-801	PLATE, FRICTION (ENGINE NO.)	-	1	-	-	-	4363434	L/A,LS/A,R/A,S/A
			-	-	1	1	1	8805658	C/A,G/A,L/A,LS/A,M/A,R/A,S/A,U/A
16	28433-ZH8-801	GUIDE, RATCHET (ENGINE NO.)	-	1	-	-	-	4363434	L/A,LS/A,R/A,S/A
			-	-	1	1	1	8805658	C/A,G/A,L/A,LS/A,M/A,R/A,S/A,U/A
17	28441-ZH8-801	SPRING, FRICTION (ENGINE NO.)	-	1	-	-	-	4363434	L/A,LS/A,R/A,S/A
			-	-	1	1	1	8805658	C/A,G/A,L/A,LS/A,M/A,R/A,S/A,U/A
18	28443-ZH8-801	SPRING, RETURN (ENGINE NO.)	-	2	-	-	-	4363434	L/A,LS/A,R/A,S/A
			-	-	2	2	2	8805658	C/A,G/A,L/A,LS/A,M/A,R/A,S/A,U/A
19	90003-ZH8-801	SCREW, SETTING (ENGINE NO.)	-	1	-	-	-	4363434	L/A,LS/A,R/A,S/A
			-	-	1	1	1	8805658	C/A,G/A,L/A,LS/A,M/A,R/A,S/A,U/A





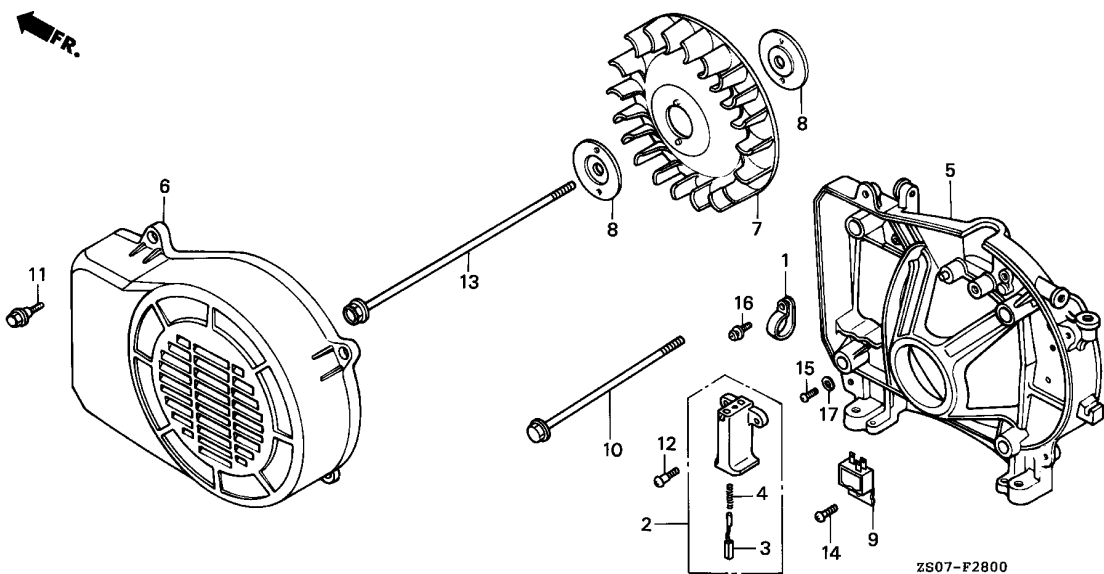
ZS07-F2500



Service item	F.R.T.
CABLE, EARTH	0.1
RUBBER, BOTTOM	0.2
(ADD 0.1 FOR EACH.)	
FRAME COMP.	0.4

3

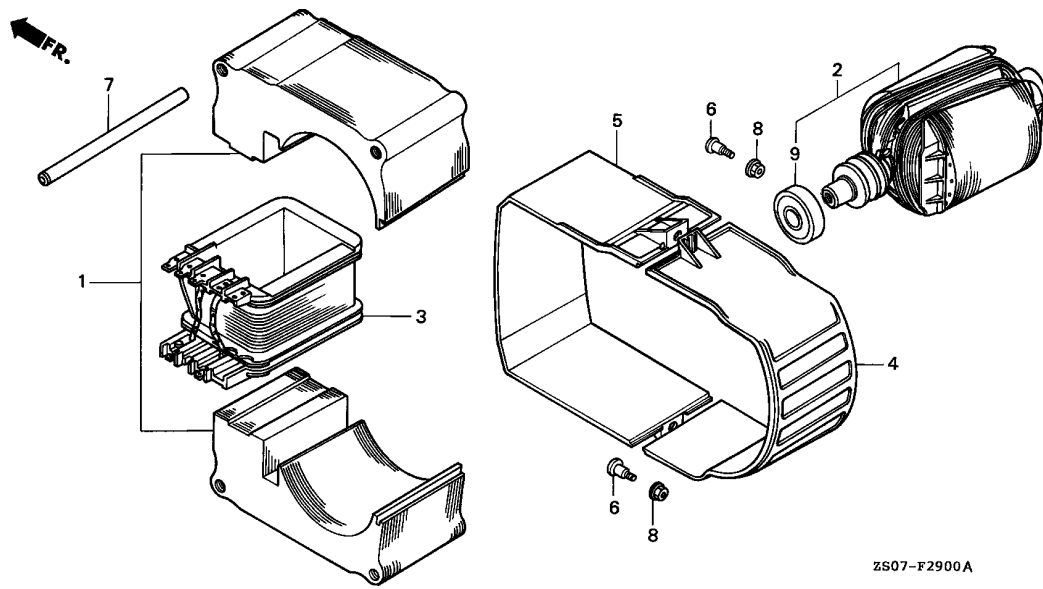
Ref. No.	Part No.	Description	Reqd. QTY					Serial No.	Parts catalogue code
			1200	1400	EZ 1800	2200	2500		
1	32601-ZS2-G31	CABLE, EARTH	-	1	1	-	1	----- L,L/A,LS,LS/A ----- 1000077 C ----- 1000614 C	
2	50310-ZS2-G31ZA	FRAME COMP. *NH105*...MAT BLACK (#15-#20)	-	1	1	-	1	----- L,L/A,LS,LS/A ----- 1000048 C ----- 1000614 C	
	50310-ZS2-H61ZA	*NH105*...MAT BLACK (#15-#20)	1	-	-	1	-	----- C/A,M,M/A,R,R/A,S,S/A ----- 1000049 C ----- 1000615 C	
3	68325-ZS2-H61	RUBBER, BOTTOM (GENERATOR) ..	2	2	2	2	2		
4	68328-ZS2-H61	RUBBER, BOTTOM (ENGINE)	2	2	2	2	2		
5	94050-06080	NUT, FLANGE, 6MM	-	1	1	-	1	----- L,L/A,LS,LS/A ----- 1000077 C ----- 1000614 C	
6	94050-08000	NUT, FLANGE, 8MM	8	8	8	8	8		
7	95701-06010-00	BOLT, FLANGE, 6X10	-	1	1	-	1	----- L,L/A,LS,LS/A ----- 1000077 C ----- 1000614 C	



Service item	F.R.T.
COVER, GENERATOR END	0.1
BRUSH COMP.	0.2
.DIODE COMP., D.C.	
.FAN, COOLING	
.HOLDER ASSY., BRUSH	
HOUSING COMP., RR.	0.5

Ref. No.	Part No.	Description	Reqd. QTY					Serial No.	Parts catalogue code
			1200	1400	EZ 1800	2200	2500		
1	30566-895-000	CLAMP C, CABLE	1	1	1	1	1		
2	31160-ZA5-000	HOLDER ASSY., BRUSH	1	1	1	1	1		
3	31162-ZA5-000	BRUSH COMP.	2	2	2	2	2		
4	31163-ZA5-300	SPRING, BRUSH	2	2	2	2	2		
5	31170-ZB2-020	HOUSING COMP., RR.	1	1	1	1	1		
6	31180-ZB3-C01	COVER, GENERATOR END	1	1	-	1	-		
	31180-ZB3-C41	-	-	1	-	1	----- L,L/A,LS,LS/A,M,M/A,R,R/A,S,S/A ----- C,C/A	
7	31190-ZS2-H61	FAN, COOLING	1	1	1	1	1		
8	31191-ZA5-000	PLATE, FAN	2	2	2	2	2		
9	31720-ZB4-003	DIODE COMP., D.C.	-	1	-	-	1	----- LS,LS/A	
10	90013-ZB0-000	BOLT, FLANGE, 6X107	4	4	-	-	-		
	90013-ZB1-000	BOLT, FLANGE, 6X116	-	-	4	-	-		
	90013-ZB3-010	BOLT, FLANGE, 6X137	-	-	-	4	4		
11	90015-ZA5-000	BOLT, GENERATOR END COVER ...	4	4	4	4	4		
12	90018-ZA5-000	BOLT, STATOR COVER SETTING ..	2	2	2	2	2		
13	90021-ZB0-000	BOLT, FLANGE, 8X145	1	1	-	-	-		
	90021-ZB1-000	BOLT, FLANGE, 8X154	-	-	1	-	-		
	90021-ZB3-010	BOLT, FLANGE, 8X175	-	-	-	1	1		
14	93500-05008-0A	SCREW, PAN, 5X8	-	1	-	-	1	----- LS,LS/A	
15	93500-05012-3J	SCREW, PAN, 5X12	1	1	1	1	1		
16	93891-05012-00	SCREW-WASHER, 5X12	1	1	1	1	1		
17	94111-05800	WASHER, SPRING, 5MM	1	1	1	1	1		





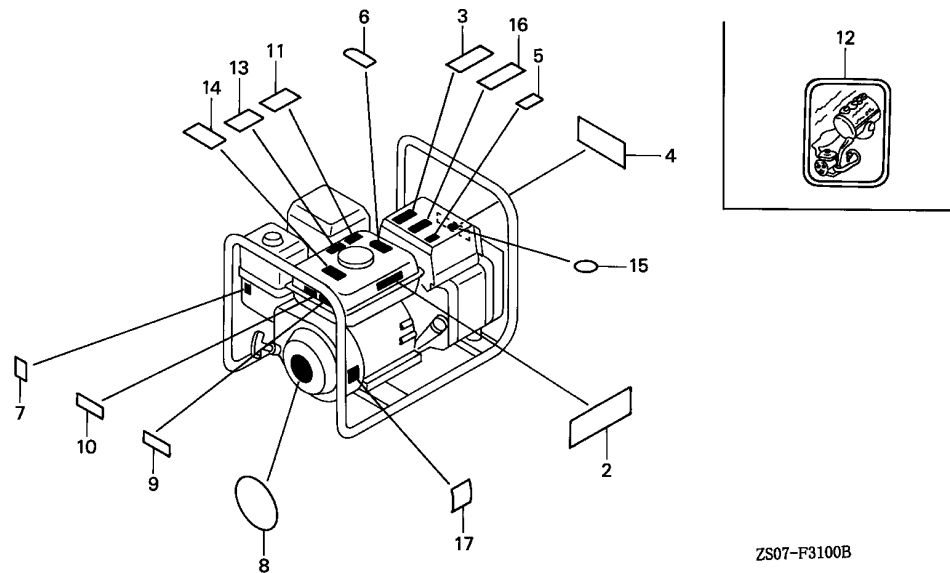
Service item	F.R.T.
CORE SET, STATOR	0.7
BOBBIN COMP., STATOR COIL	0.8
.ROTOR COMP.	

ZS07-F2900A

Ref. No.	Part No.	Description	Reqd. QTY					Serial No.	Parts catalogue code
			1200	1400	EZ 1800	2200	2500		
1	31010-ZS0-H60	CORE SET, STATOR	1	1	-	-	-		
	31010-ZS1-H60	-	1	-	-	-		
	31010-ZS2-H60	-	-	1	1	-		
2	31130-ZS0-H61	ROTOR COMP.	1	-	-	-	1006692		
			-	1	-	-	1006692	L,LS,M,R,S	
	31130-ZS1-H61	-	-	1	-	1002027	C,L,R,S	
	31130-ZS2-H61	-	-	-	1	1011613	C,L,LS,M,R,S,U	
	31130-ZS0-H62	ROTOR COMP. (EZ-R)	1	-	-	-	1006693		
			-	1	-	-	1006693	L/A,LS/A,R/A,S/A	
			-	1	-	-	1006693	L,LS,M,R,S	
	31130-ZS1-H62	-	-	1	-	1006693	C/A,L/A,R/A,S/A	
			-	-	1	-	1002028	C,L,R,S	
	31130-ZS2-H62	-	-	-	1	1	C/A,G,G/A,L/A,LS/A,M/A,R/A,S/A,U/A	
			-	-	-	1	1	1011614	C,L,LS,M,R,S,U
3	31150-ZS0-G81	BOBBIN COMP., STATOR COIL (EZ-U)	1	-	-	-	-		
	31150-ZS0-G31	BOBBIN COMP., STATOR COIL (EZ-A)	-	1	-	-	-	L,L/A	
	31150-ZS0-G71	BOBBIN COMP., STATOR COIL (EZ-S)	-	1	-	-	-	S,S/A	
	31150-ZS0-H61	BOBBIN COMP., STATOR COIL (EZ-R)	-	1	-	-	-	M,R,R/A	
	31150-ZS0-V71	BOBBIN COMP., STATOR COIL (EZ-LS)	-	1	-	-	-	LS,LS/A	
	31150-ZS1-G41	BOBBIN COMP., STATOR COIL (EZ-C)	-	-	1	-	-	C,C/A,L,L/A	
	31150-ZS1-G71	BOBBIN COMP., STATOR COIL (EZ-S)	-	-	1	-	-	S,S/A	
	31150-ZS1-H61	BOBBIN COMP., STATOR COIL ...	-	-	1	-	-	R,R/A	

Ref. No.	Part No.	Description	Reqd. QTY					Serial No.	Parts catalogue code
			1200	1400	EZ 1800	2200	2500		
(3)	31150-ZS2-G61	BOBBIN COMP., STATOR COIL ...	-	-	-	1	-	----- G,G/A	
	31150-ZS2-G81	BOBBIN COMP., STATOR COIL (EZ-U)	-	-	-	1	-	----- U,U/A	
	31150-ZS2-G31	BOBBIN COMP., STATOR COIL (EZ-A)	-	-	-	-	1	----- C,C/A,L,L/A	
	31150-ZS2-G71	BOBBIN COMP., STATOR COIL (EZ-S)	-	-	-	-	1	----- S,S/A	
	31150-ZS2-H61	BOBBIN COMP., STATOR COIL ...	-	-	-	-	1	----- M,M/A,R,R/A	
	31150-ZS2-V71	BOBBIN COMP., STATOR COIL (EZ-LS)	-	-	-	-	1	----- LS,LS/A	
4	31181-ZS0-H61	COVER, R. STATOR	1	1	-	-	-	-	
	31181-ZA4-000	-	-	1	-	-	----- L,L/A,R,R/A,S,S/A	
	31181-ZS1-G41	COVER, R. STATOR (C TYPE) ...	-	-	1	-	-	----- C,C/A	
	31181-ZS2-H61	COVER, R. STATOR	-	-	-	1	-	-	
	31181-ZS2-G41	COVER, R. STATOR (C-TYPE) ...	-	-	-	-	1	----- L,L/A,LS,LS/A,M,M/A,R,R/A,S,S/A	
	31181-ZS2-G41	COVER, R. STATOR (C-TYPE) ...	-	-	-	-	1	----- C,C/A	
5	31182-ZS0-H60	COVER, L. STATOR	1	1	-	-	-	-	
	31182-ZA4-000	-	-	1	-	-	----- L,L/A,R,R/A,S,S/A	
	31182-ZS1-G41	COVER, L. STATOR (C TYPE) ...	-	-	1	-	-	----- C,C/A	
	31182-ZB3-000	COVER, L. STATOR	-	-	-	1	-	-	
	31182-ZS2-G41	COVER, L. STATOR (C-TYPE) ...	-	-	-	-	1	----- L,L/A,LS,LS/A,M,M/A,R,R/A,S,S/A	
	31182-ZS2-G41	COVER, L. STATOR (C-TYPE) ...	-	-	-	-	1	----- C,C/A	
6	90018-ZA5-000	BOLT, STATOR COVER SETTING ..	2	2	2	2	2	-	
7	90701-ZA3-000	DOWEL PIN, 11X91	3	3	-	-	-	-	
	90701-ZA4-000	DOWEL PIN, 11X100	-	-	3	-	-	-	
	90701-ZB3-000	DOWEL PIN, 11X121	-	-	-	3	3	-	
8	94050-05000	NUT, FLANGE, 5MM	2	2	2	2	2	-	
9	91051-ZB3-003	BEARING ASSY. (6203)	1	-	-	-	-	1006693	
			-	1	1	1	1	----- C/A,G,G/A,L/A,LS/A,M/A,R/A,S/A,U/A	
			-	1	-	-	-	1006693 ----- L,LS,M,R,S	
			-	-	1	-	-	1002028 ----- C,L,R,S	
			-	-	-	1	1	1011614 ----- C,L,LS,M,R,S,U	





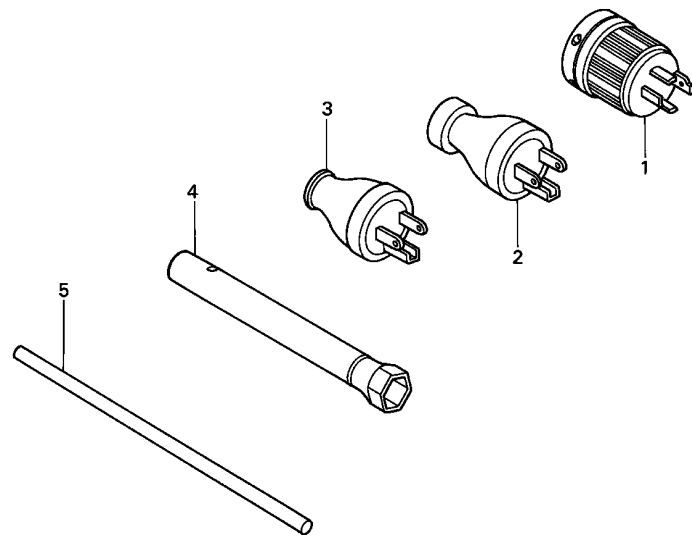
Service item F.R.T.
NOT INFORMATION

Ref. No.	Part No.	Description	Reqd. QTY					Serial No.	Parts catalogue code
			1200	1400	EZ 1800	2200	2500		
2	87101-ZS0-G00	EMBLEM (EZ1200)	1	-	-	-	-		
	87101-ZS0-H60	EMBLEM (EZ1400)	-	1	-	-	-	----- M	
	87101-ZS1-H60	EMBLEM (EZ1800)	-	-	1	-	-	1012988 L,LS,R,S	
	87101-ZS2-G80	EMBLEM (EZ2200)	-	-	-	1	-	1012972 C,L,R,S	
			-	-	-	-	1	1077291 U	
			-	-	-	-	1	1077292 G	
	87101-ZS2-H60	EMBLEM (EZ2500)	-	-	-	-	1	1077198 C,L,LS,M,R,S	
	87101-ZS0-H61	EMBLEM (EZ1400)	-	1	-	-	-	----- L/A,LS/A,R/A,S/A	
			-	1	-	-	-	1012989 ----- L,LS,R,S	
	87101-ZS1-H61	EMBLEM (EZ1800)	-	-	1	-	-	----- C/A,L/A,R/A,S/A	
	87101-ZS2-G81	EMBLEM (EZ2200)	-	-	-	1	-	1012973 ----- C,L,R,S	
			-	-	-	-	1	----- G/A,U/A	
			-	-	-	-	1	1077292 ----- U	
			-	-	-	-	1	1077293 ----- G	
	87101-ZS2-H61	EMBLEM (EZ2500)	-	-	-	-	1	----- C/A,L/A,LS/A,M/A,R/A,S/A	
			-	-	-	-	1	1077199 ----- C,L,LS,M,R,S	
			-	-	-	-	-	----- G,G/A	
3	87106-ZB3-G60	MARK, FUEL CAUTION	-	-	-	1	-		
4	87150-ZS0-G80	PLATE, CAUTION (EZ1200)(U) ..	1	-	-	-	-		
	87150-ZS0-G70	PLATE, CAUTION (EZ1400)(S) ..	-	1	-	-	-	1012978 S	
	87150-ZS0-H30	PLATE, CAUTION (EZ1400)(L) ..	-	1	-	-	-	1012988 L	
	87150-ZS0-H60	PLATE, CAUTION (EZ1400)	-	1	-	-	-	----- M,R	
	87150-ZS0-V70	PLATE, CAUTION (EZ1400)(LS) ..	-	1	-	-	-	1013028 LS	
	87150-ZS0-G71	PLATE, CAUTION (EZ1400)(S) ..	-	1	-	-	-	----- S/A	
			-	1	-	-	-	1012979 ----- S	
	87150-ZS0-H31	PLATE, CAUTION (EZ1400)(L) ..	-	1	-	-	-	----- L/A	
			-	1	-	-	-	1012989 ----- L	
	87150-ZS0-H61	PLATE, CAUTION (EZ1400)	-	1	-	-	-	----- R/A	
	87150-ZS0-V71	PLATE, CAUTION (EZ1400)(LS) ..	-	1	-	-	-	----- LS/A	
			-	1	-	-	-	1013029 ----- LS	

3

Ref. No.	Part No.	Description	Reqd. QTY					Serial No.	Parts catalogue code	
			1200	1400	EZ 1800	2200	2500			
(4)	87150-ZS1-G70	PLATE, CAUTION (EZ1800)(S) ..	-	-	1	-	-	1012972	S	
	87150-ZS1-H30	PLATE, CAUTION (EZ1800)(L) ..	-	-	1	-	-	1013182	L	
	87150-ZS1-H60	PLATE, CAUTION (EZ1800)	-	-	1	-	-	-----	R	
	87150-ZS1-G71	PLATE, CAUTION (EZ1800)(S) ..	-	-	1	-	-	-----	S/A	
				-	-	1	-	1012973	S	
	87150-ZS1-H31	PLATE, CAUTION (EZ1800)(L) ..	-	-	1	-	-	-----	L/A	
				-	-	1	-	1013183	L	
	87150-ZS1-H61	PLATE, CAUTION (EZ1800)	-	-	1	-	-	-----	R/A	
	87150-ZS2-G80	PLATE, CAUTION (EZ2200)(U) ..	-	-	-	1	-	-----	U	
	87150-ZS2-G70	PLATE, CAUTION (EZ2500)(S) ..	-	-	-	-	1	-----	1077251 S	
	87150-ZS2-G81	PLATE, CAUTION (EZ2200)(U) ..	-	-	-	1	-	-----	U/A	
				-	-	-	1	1077293	U	
	87150-ZS2-H30	PLATE, CAUTION (EZ2500)(L) ..	-	-	-	-	1	-----	1077109 L	
	87150-ZS2-H60	PLATE, CAUTION (EZ2500)	-	-	-	-	1	-----	1077458 M,R	
	87150-ZS2-V70	PLATE, CAUTION (EZ2500)(LS) ..	-	-	-	-	1	-----	1077198 LS	
	87150-ZS2-G71	PLATE, CAUTION (EZ2500)(S) ..	-	-	-	-	1	-----	-----	
				-	-	-	1	1077252	S	
	87150-ZS2-H31	PLATE, CAUTION (EZ2500)(L) ..	-	-	-	-	1	-----	L/A	
				-	-	-	1	1077110	L	
	87150-ZS2-H61	PLATE, CAUTION (EZ2500)	-	-	-	-	1	-----	M/A,R/A	
			-	-	-	1	1077459	M,R		
87150-ZS2-V71	PLATE, CAUTION (EZ2500)(LS) ..	-	-	-	-	1	-----	LS/A		
			-	-	-	1	1077199	LS		
5	87516-VA9-B50	MARK, OPERATOR CAUTION	-	-	-	1	-	-----	G,G/A	
6	87522-875-860	MARK, CAUTION (ARABIC)	-	1	1	-	1	-----	L,L/A,LS,LS/A,M,M/A,R,R/A	
	87522-883-660	MARK, CAUTION (ENGLISH/FRENCH/SPANISH)	1	-	-	-	-	-----	-----	
7	87528-ZE1-810	MARK, CHOKE	1	1	1	1	1	-----	C,C/A,S,S/A,U,U/A	
8	87530-ZB3-D60	MARK, OIL ALERT	-	1	-	-	-	-----	1012978 L,LS,R,S	
			-	-	1	-	-	-----	1012972 L,R,S	
			-	-	-	-	1	-----	1077109 L,LS,R,S	
	87531-Z08-E30	MARK, HONDA	-	1	1	-	1	-----	L/A,LS/A,R/A,S/A	
			-	1	-	-	-	1012979	L,LS,R,S	
			-	-	1	-	-	1012973	L,R,S	
			-	-	-	-	1	1077110	L,LS,R,S	
			-	-	-	-	1	-----	C,C/A	
	9	87532-ZB4-H50	MARK, OIL ALERT (FRENCH)	-	-	1	-	1	-----	-----
	10	87532-ZH8-810	MARK, OIL ALERT (EXTERNAL) ..	1	1	1	-	1	-----	U,U/A
			-	-	-	1	-	-----	-----	
11	87539-ZA8-660	MARK, EX. CAUTION	-	-	-	1	-	-----	G,G/A	
12	87541-ZB4-000	MARK, OIL CHECK	-	1	1	-	1	-----	L,L/A,LS,LS/A,M,M/A,R,R/A	
13	87561-ZA8-660	MARK, CAUTION (CO)	-	-	-	1	-	-----	G,G/A	
14	87561-880-600	MARK, CAUTION (ENGLISH/FRENCH/SPANISH)	1	-	-	-	-	-----	-----	
			-	1	1	1	1	-----	S,S/A,U,U/A	
	87562-899-630	MARK, CAUTION (CO)	-	1	1	-	1	-----	L,L/A,LS,LS/A,M,M/A,R,R/A	
15	87563-ZA8-660	MARK, CONNECTING CAUTION	-	-	-	1	-	-----	G,G/A	
16	87578-ZB2-N50	LABEL, NOISE LEVEL	-	-	-	1	-	-----	1072583 G	
	87578-ZS2-G60	LABEL, NOISE LEVEL (97)	-	-	-	1	-	-----	G/A	
			-	-	-	1	-	1072584	G	
17	87594-ZB3-C00	MARK, OIL CAUTION	1	1	1	1	1	-----	-----	





ZS07-F3200

Service item F.R.T.
NOT INFORMATION

Ref. No.	Part No.	Description	Reqd. QTY					Serial No.	Parts catalogue code
			1200	1400	EZ 1800	2200	2500		
1	32310-ZD8-K32	PLUG ASSY. (20A-125/250V) ...	-	1	-	-	1	-----	LS,LS/A
2	32310-812-640	PLUG ASSY., CONSENT	-	1	1	-	1	-----	R,R/A,S,S/A
3	32310-836-000	PLUG ASSY., CONSENT (15A/125V) ...	-	2	2	-	2	-----	L,L/A,LS,LS/A
4	89218-ZE1-000	WRENCH COMP., SPARK PLUG	1	1	1	1	1		
5	99005-01000	BAR A, HANDLE	1	1	1	1	1		

PART NO. INDEX



Part Number	Address	Page	Ref.	Part Number	Address	Page	Ref.	Part Number	Address	Page	Ref.	Part Number	Address	Page	Ref.
06000				13012-ZE6-013	C5	20	1	14721-ZF1-000	C9	24	8	16570-ZB2-000	D5	36	5
06111-ZH7-D00	D7	38	1	13012-ZE6-014	C5	20	1	14751-ZF1-000	C9	24	9	16584-883-300	D5	36	6
06111-ZH8-D00	D7	38	1	13012-ZF1-023	C6	21	1	14771-ZE1-000	C9	24	10	16610-ZE1-000	C14	29	17
				13012-ZF1-024	C6	21	1	14773-ZE1-000	C9	24	11	16854-ZH8-000	D1	32	1
				13012-ZH7-003	C6	21	1	14781-ZE1-000	C9	24	12	16953-ZE1-812	C14	29	18
11000				13012-ZH7-004	C6	21	1	14791-ZE0-010	C9	24	13	16954-ZE1-812	C14	29	19
11300-ZB0-020	C4	19	1	13012-ZH8-941	C6	21	1	14791-ZE1-010	C10	25	13	16955-ZE1-000	D1	32	2
11300-ZB0-030	C4	19	1	13012-ZH8-942	C6	21	1					16956-ZE1-811	C14	29	20
11300-ZB2-030	C4	19	1	13012-ZL0-003	C7	22	1	15000				16957-ZE1-812	C14	29	21
11300-ZB2-040	C4	19	1	13012-ZL0-004	C7	22	1					16967-ZE0-811	C14	29	22
11347-371-300	C11	26	1	13013-ZE6-013	C5	20	1	15510-ZE1-013	C2	17	3				
11381-ZB0-800	C4	19	2	13013-ZE6-014	C6	21	1	15510-ZE1-023	C2	17	3	17000			
11381-ZB2-800	C4	19	2	13013-ZF1-023	C6	21	1	15510-ZE1-033	C2	17	3				
				13013-ZF1-024	C6	21	1	15620-ZB2-000	C4	19	3	17210-ZE0-822	C15	30	2
				13013-ZH7-003	C6	21	1	15721-ZH8-000	C1	16	8	17210-ZE1-822	C15	30	2
12000				13013-ZH7-004	C6	21	1					17218-ZE0-821	C15	30	3
12000-ZF1-812	C2	17	2	13013-ZH8-941	C6	21	1	16000				17218-ZE1-821	C15	30	3
12000-ZH7-405	C2	17	2	13013-ZH8-942	C7	22	1	16010-ZE1-812	C13	28	1	17230-ZE0-820	C15	30	4
12000-ZH7-415	C2	17	2	13013-ZL0-003	C7	22	1	16011-ZE0-005	C13	28	2	17230-ZE1-820	C15	30	4
12000-ZH7-425	C2	17	2	13013-ZL0-004	C7	22	1	16013-ZE0-005	C13	28	3	17232-891-000	C15	30	5
12000-ZH8-406	C2	17	2	13101-ZH7-000	C7	22	2	16015-ZE0-831	C13	28	4	17235-ZE1-831	C15	30	6
12000-ZH8-416	C2	17	2	13101-ZH7-010	C8	23	2	16015-ZE1-811	C13	28	4	17238-ZE0-010	C15	30	7
12000-ZH8-426	C2	17	2	13101-ZH8-000	C8	23	2	16016-ZE0-005	C13	28	5	17239-ZE1-000	C15	30	8
12204-ZE1-306	C1	16	1	13101-ZH8-010	C8	23	2	16016-ZH7-W01	C14	29	27	17410-ZE0-030	C15	30	9
12205-ZE1-315	C1	16	2	13102-ZH7-000	C8	23	2	16024-ZE1-811	C13	28	6	17410-ZE1-020	C15	30	9
12209-ZH8-003	C10	25	16	13102-ZH7-010	C8	23	2	16028-ZE0-005	C13	28	7	17510-ZE0-020ZB D1		32	3
12210-ZH7-000	C1	16	3	13102-ZH8-010	C8	23	2	16044-ZE0-005	C13	28	8	17510-ZE0-020ZL D1		32	3
12210-ZH7-405	C1	16	3	13103-ZH7-000	C8	23	2	16100-ZH7-D00	C13	28	9	17510-ZE1-020ZB D1		32	3
12210-ZH8-020	C1	16	3	13103-ZH7-010	C8	23	2	16100-ZH7-D01	C13	28	9	17510-ZE1-020ZD D1		32	3
12216-ZE5-300	C1	16	4	13103-ZH8-000	C8	23	2	16100-ZH7-D61	C14	29	9	17620-Z0T-814	D1	32	4
12251-ZF1-800	C1	16	5	13103-ZH8-010	C8	23	2	16100-ZH8-D00	C13	28	9	17620-ZH7-013	D1	32	4
12251-ZH7-800	C1	16	5	13104-ZH7-000	C8	23	2	16100-ZH8-D01	C14	29	9	17620-ZH7-023	D1	32	4
12310-ZE1-010	C1	16	6	13104-ZH7-010	C8	23	2	16100-ZH8-E91	C14	29	9	17631-Z0T-812	D2	33	5
12310-ZE1-020	C1	16	6	13104-ZH8-000	C8	23	2	16124-ZE0-005	C14	29	10	17631-ZH7-003	D1	32	5
12391-ZE1-000	C1	16	7	13104-ZH8-010	C8	23	2	16166-ZH7-820	C14	29	11	17672-ZE2-W01	D2	33	6
				13111-ZE0-000	C8	23	3	16166-ZH8-810	C14	29	11				
				13111-ZE1-000	C8	23	3	16166-ZH8-E90	C14	29	11	30000			
				13200-ZE0-000	C8	23	4	16173-001-004	C14	29	12	30500-ZE1-033	D3	34	4
13000				13200-ZE1-010	C8	23	4	16211-ZE0-000	C14	29	13	30500-ZE1-043	D3	34	4
13010-ZE6-013	C5	20	1	13310-ZB0-000	C8	23	5	16212-ZH7-800	C14	29	14	30566-895-000	E13	51	1
13010-ZE6-014	C5	20	1	13310-ZB2-000	C8	23	5	16212-ZH8-800	C14	29	14	30700-ZE1-013	D3	34	5
13010-ZF1-023	C6	21	1	13331-357-000	D3	34	1	16220-ZE1-020	C14	29	15				
13010-ZF1-024	C6	21	1					16221-ZH8-801	C14	29	16				
13010-ZH7-003	C6	21	1	14000				16271-ZE1-000	C15	30	1	31000			
13010-ZH7-004	C6	21	1	14100-ZE0-812	C9	24	1	16510-ZE1-000	C2	17	4	31010-ZS0-H60	E14	52	1
13010-ZH8-941	C6	21	1	14100-ZE1-812	C9	24	1	16511-ZE1-000	C2	17	5	31010-ZS1-H60	E14	52	1
13010-ZH8-942	C6	21	1	14410-ZE0-010	C9	24	2	16512-ZE1-000	C3	18	6	31010-ZS2-H60	E14	52	1
13010-ZL0-003	C7	22	1	14410-ZE1-010	C9	24	2	16513-ZE1-000	C3	18	7	31100-ZE0-811	D3	34	6
13010-ZL0-004	C7	22	1	14431-ZE1-000	C9	24	3	16531-ZE1-000	C3	18	8	31100-ZE1-811	D3	34	6
13011-ZE6-013	C5	20	1	14441-ZE1-000	C9	24	4	16541-ZE1-000	C3	18	9	31130-ZS0-H61	E14	52	2
13011-ZE6-014	C5	20	1	14441-ZE1-010	C9	24	4	16551-ZE0-010	D5	36	1	31130-ZS0-H62	E14	52	2
13011-ZF1-023	C6	21	1	14451-ZE1-013	C9	24	5	16555-ZE0-000	D5	36	2	31130-ZS1-H61	E14	52	2
13011-ZF1-024	C6	21	1	14568-ZE1-000	C9	24	6	16555-ZE1-000	D5	36	2	31130-ZS1-H62	E14	52	2
13011-ZH7-003	C6	21	1	14711-ZF0-000	C9	24	7	16561-ZE0-020	D5	36	3	31130-ZS2-H62	E14	52	2
13011-ZH7-004	C6	21	1	14711-ZF0-010	C9	24	7	16561-ZH8-D00	D5	36	3	31130-ZS2-H62	E14	52	2
13011-ZH8-941	C6	21	1	14711-ZF1-000	C9	24	7	16570-ZB0-000	D5	36	5	31150-ZS0-G31	E14	52	3
13011-ZH8-942	C6	21	1	14721-ZF0-000	C9	24	8					31150-ZS0-G71	E14	52	3
13011-ZL0-003	C7	22	1									31150-ZS0-G81	E14	52	3
13011-ZL0-004	C7	22	1									31150-ZS0-H61	E14	52	3
												31150-ZS0-V71	E14	52	3
												19000			
												19511-ZE0-000	D3	34	2
												19511-ZE1-000	D3	34	2
												19610-ZB0-601ZC	C11	26	2
												19610-ZB2-601ZC	C11	26	2
												19611-ZH7-820	C11	26	3
												19611-ZH8-820	C11	26	3
												19612-ZH7-820	C11	26	3
												19612-ZH7-821	C11	26	3
												19612-ZH7-830	C11	26	3
												19612-ZH8-820	C11	26	3
												19612-ZH8-821	C11	26	3
												19612-ZH8-830	C11	26	3



PART NO. INDEX



Part Number	Address	Page	Ref.	Part Number	Address	Page	Ref.	Part Number	Address	Page	Ref.	Part Number	Address	Page	Ref.
90325-044-000	C15	30	10	93500-05008-0A	E13	51	14	96000							
90451-ZE1-000	C3	18	11	93500-05012-3J	E13	51	15								
90501-ZA7-640	E3	41	20	93500-05035-0A	D5	36	9	96100-62050-00	C4	19	5				
90501-ZS2-H61	E3	41	21	93600-04012-1A	E5	43	25								
	E5	43	20	93600-04016-1A	E5	43	26	98000							
	E7	45	18	93891-05012-00	E13	51	16								
	E9	47	21	93901-34320	E3	41	26	98079-56846	C1	16	15				
90502-ZS2-G01	E5	43	21		E5	43	27	98079-56855	C1	16	15				
	E9	47	22		E7	45	23								
90551-ZE0-000	C8	23	7		E9	47	28	99000							
90551-ZE1-000	C8	23	7												
90601-ZE1-000	C3	18	12	94000				99005-01000	F2	56	5				
90601-ZH7-013	C11	26	4					99101-ZH8-0550	C14	29	25				
90602-ZE1-000	C3	18	13	94001-06390-0S	E3	41	27	99101-ZH8-0580	C14	29	25				
90701-ZA3-000	E15	53	7		E5	43	28	99101-ZH8-0600	C14	29	25				
90701-ZA4-000	E15	53	7		E7	45	24	99101-ZH8-0650	C14	29	25				
90701-ZB3-000	E15	53	7		E9	47	29	99101-ZH8-0680	C14	29	25				
90852-898-000	E3	41	22	94001-08000-0S	C16	31	8	99101-ZH8-0700	C14	29	25				
	E5	43	22	94050-04000	E3	41	28	99204-ZE0-0350	C14	29	26				
	E7	45	19		E5	43	29	99204-ZE0-0380	C14	29	26				
	E9	47	23		E7	45	25								
90853-ZA3-000	E3	41	23		E9	47	30								
	E5	43	23	94050-05000	E15	53	8								
	E7	45	20	94050-06000	C15	30	11								
	E9	47	24		D2	33	8								
90853-ZS2-H61	E3	41	24		D5	36	10								
	E5	43	24	94050-06080	E12	50	5								
	E7	45	21	94050-08000	E12	50	6								
	E9	47	25	94050-10000	C3	18	17								
91000				94101-06800	C3	18	18								
					E3	41	29								
					E5	43	30								
91001-878-003	C3	18	14		E7	45	26								
	C4	19	5		E9	47	31								
91001-ZF1-003	C3	18	14	94111-05800	E13	51	17								
91001-ZF1-004	C3	18	14	94111-06800	E3	41	30								
91051-ZB3-003	E15	53	9		E5	43	31								
91201-Z0T-801	C3	18	15		E7	45	27								
	C4	19	6		E9	47	32								
91202-883-005	C3	18	15	94251-08000	C3	18	19								
	C4	19	6	94301-08140	C4	19	8								
91202-ZE6-003	C4	19	6	94301-10160	C1	16	13								
91202-ZE6-013	C4	19	6	94305-20122	C14	29	24								
91203-ZE0-003	C3	18	15												
91203-ZE0-013	C3	18	15	95000											
91303-800-000	C4	19	7												
91353-671-004	C3	18	16	95001-45140-40	D2	33	9								
	D2	33	7	95002-02080	D2	33	10								
93000				95701-06008-00	C12	27	12								
					E11	49	12								
				95701-06010-00	E12	50	7								
93500-03006-1H	C14	29	23	95701-06012-00	C3	18	20								
93500-03008-1G	C14	29	23		C16	31	9								
93500-03012-1H	E9	47	26	95701-06020-00	C15	30	12								
93500-04006-1A	E3	41	25	95701-06025-00	D2	33	11								
93500-04010-0A	E7	45	22	95701-08032-00	C4	19	4								
93500-04016-0A	E3	41	25	95723-08055-00	C1	16	14								
	E7	45	22	95723-08060-00	C1	16	14								
	E9	47	27												



PART NAME INDEX

H 1

Part name	Address	Page	Ref.	Part name	Address	Page	Ref.	Part name	Address	Page	Ref.
[A]											
ALERT UNIT, OIL	C12	27	11	BOLT, STATOR COVER SETTING	E15	53	6	DOWEL PIN, 11X100	E15	53	7
ARM, GOVERNOR	D5	36	1	BOLT, STUD, 6X112	C1	16	11	DOWEL PIN, 11X121	E15	53	7
ARM, VALVE ROCKER	C9	24	3	BOLT, STUD, 8X32	C1	16	12	DOWEL PIN, 11X91	E15	53	7
ARRESTER, SPARK	C16	31	4	BOX ASSY., CONTROL	E1	39	5	DOWEL PIN, 8X14	C4	19	8
					E4	42	6				
					E6	44	6				
					E8	46	7				
				BRUSH COMP.	E13	51	3	[E]			
[B]				[C]							
BARREL ASSY., CYLINDER	C2	17	2	CABLE, EARTH	E12	50	1	ELBOW COMP., AIR CLEANER	C15	30	9
BAR A, HANDLE	F2	56	5	CAMSHAFT ASSY.	C9	24	1	ELEMENT, AIR CLEANER	C15	30	2
BEARING ASSY.	E15	53	9	CAP ASSY., NOISE SUPPRESSOR ...	D3	34	5	EMBLEM	E16	54	2
BEARING, RADIAL BALL	C3	18	14	CAP COMP., FUEL FILLER	D1	32	4	[F]			
BEARING, RADIAL BALL, 6205 ...	C4	19	5	CAP, OIL FILLER	C4	19	3	FAN, COOLING	D3	34	2
BEARING, RADIAL BALL, 62/22 ..	C3	18	14	CARBURETOR ASSY.	C13	28	9		E13	51	7
	C4	19	5	CASE COMP., RECOIL STARTER	C14	29	9	FILTER, FUEL	D2	33	6
BOBBIN COMP., STATOR COIL	E14	52	3	CHAMBER SET, FLOAT	E10	48	2	FILTER, OUTER	C15	30	3
	E15	53	3	CHOKE SET	C13	28	4	FLOAT SET	C13	28	3
BOLT, ADJUSTING, 6X20	E3	41	17	CLAMPER, CORD	E10	48	2	FLYWHEEL COMP.	D3	34	6
	E5	43	17		C13	28	4	FRAME COMP.	E12	50	2
	E7	45	15	CLAMP C, CABLE	C13	28	8				
	E9	47	18		C11	26	4	[G]			
BOLT, CONNECTING ROD	C8	23	6		D3	34	8	GASKET KIT	D7	38	1
BOLT, DRAIN PLUG	C3	18	10	CLIP, GOVERNOR HOLDER	E13	51	1	GASKET SET	C13	28	1
BOLT, FLANGE, 5X10	D4	35	11	CLIP, HARNESS	C3	18	13	GASKET, CYLINDER HEAD	C1	16	5
BOLT, FLANGE, 6X10	E11	49	12	CLIP, PISTON PIN, 13MM	C11	26	4	GASKET, MUFFLER	C1	16	9
	E12	50	7	CLIP, PISTON PIN, 18MM	C8	23	7	GOVERNOR ASSY.	C2	17	4
BOLT, FLANGE, 6X107	E13	51	10	CLIP, TUBE	C8	23	7	GRIP, STARTER	E11	49	9
BOLT, FLANGE, 6X116	E13	51	10	CLIP, VALVE GUIDE	D2	33	10	GROMMET, ADJUSTING COVER	C11	26	1
BOLT, FLANGE, 6X12	C1	16	10	COIL ASSY., BACK UP	C1	16	4	GROMMET, AIR CLEANER	C15	30	5
	C3	18	20	COIL ASSY., IGNITION	D3	34	7	GROMMET, CORD	D3	34	9
	C12	27	9	COLLAR B, AIR CLEANER	D3	34	4	GUIDE, EX. VALVE	C1	16	2
	C16	31	9	COLLAR, AIR CLEANER	C15	30	8	GUIDE, IN. VALVE	C1	16	1
	D5	36	7	CONSENT	C15	30	7	GUIDE, RATCHET	E10	48	5
BOLT, FLANGE, 6X13	C16	31	5		E1	39	4		E11	49	16
BOLT, FLANGE, 6X137	E13	51	10	CONTROL ASSY.	E6	44	3				
BOLT, FLANGE, 6X20	C12	27	10	CORD, STOP SWITCH	D5	36	5	[H]			
	C15	30	12	CORE SET, STATOR	C12	27	8	HARNES ASSY., WIRE	E1	39	3
BOLT, FLANGE, 6X25	D2	33	11	COVER ASSY., CRANKCASE	E14	52	1		E4	42	3
	D4	35	12	COVER COMP., FAN	C4	19	1		E6	44	2
BOLT, FLANGE, 6X28	C4	19	4	COVER COMP., HEAD	C11	26	2		E8	46	4
	D3	34	10	COVER, AIR CLEANER	C1	16	6	HEAD COMP., CYLINDER	C1	16	3
BOLT, FLANGE, 6X29	D2	33	11	COVER, CONTROL BOX	C15	30	4	HOLDER ASSY., BRUSH	E13	51	2
BOLT, FLANGE, 6X8	C12	27	12		E1	39	7	HOLDER, GOVERNOR WEIGHT	C3	18	6
	E11	49	12		E2	40	7	HOUSING COMP., RR.	E13	51	5
BOLT, FLANGE, 8X145	E13	51	13	COVER, CONTROL BOX UNDER	E4	42	2	[I]			
BOLT, FLANGE, 8X154	E13	51	13	COVER, GENERATOR END	E4	42	8	INSULATOR, CARBURETOR	C14	29	13
BOLT, FLANGE, 8X175	E13	51	13	COVER, L. STATOR	E13	51	6				
BOLT, FLANGE, 8X32	C4	19	4	COVER, R. STATOR	E15	53	5				
BOLT, FLANGE, 8X55	C1	16	14	CRANKSHAFT COMP.	E15	53	4				
BOLT, FLANGE, 8X60	C1	16	14	CUP, FUEL STRAINER	C8	23	5				
BOLT, GENERATOR END COVER	E13	51	11		E8	46	9	[J]			
BOLT, GOVERNOR ARM	D5	36	8		E4	42	2	JET SET, PILOT,	C14	29	26
BOLT, HEX., 6X28	E3	41	16		E7	45	8	JET, MAIN,	C14	29	25
	E5	43	16		E8	46	9	JOINT, FUEL TANK	D1	32	2
	E7	45	14		E4	42	2				
	E9	47	17		E13	51	6				
BOLT, PIVOT, 8MM	C10	25	14		E15	53	5				
BOLT, STATOR COVER SETTING ...	E13	51	12		E15	53	4				
					C8	23	5				
					C14	29	22				
				[D]							
				DIODE COMP., D.C.	E13	51	9				
				DOWEL PIN, 10X16	C1	16	13				

PART NAME INDEX

Part name	Address	Page	Ref.	Part name	Address	Page	Ref.	Part name	Address	Page	Ref.
[K]				NUT, HEX., 6MM	E9	47	29	PROTECTOR, CIRCUIT	E7	45	13
KEY, SPECIAL WOODRUFF, 25X18 · D3	D3	34	1	NUT, HEX., 8MM	C16	31	8		E8	46	14
[L]				NUT, PIVOT ADJUSTING	C10	25	15	PROTECTOR, MUFFLER	C16	31	3
LABEL, E-SPEC	D6	37	1	NUT, SPECIAL, 14MM	D4	35	13	PULLEY, STARTER	D3	34	3
LABEL, NOISE LEVEL	F1	55	16	NUT, TOOL BOX SETTING	C15	30	10		D4	35	14
LENS ASSY., PROTECTOR	E9	47	16	[O]				[R]			
LEVER COMP., CHOKE	C14	29	17	OIL SEAL, 22X35X6	C4	19	6	RATCHET, STARTER	E10	48	4
LEVER, COCK	C14	29	18	OIL SEAL, 22X41X6	C3	18	15		E11	49	14
LIFTER, VALVE	C9	24	4	OIL SEAL, 25X41X6	C3	18	15	RECEPTACLE	E1	39	4
[M]					C4	19	6		E4	42	4
MARK, CAUTION	F1	55	6	O-RING, 14MM	C3	18	16		E8	46	5
			13		D2	33	7				6
			14	O-RING, 16MM	C4	19	7	REEL, RECOIL STARTER	E10	48	3
MARK, CHOKE	F1	55	7	[P]				REGULATOR UNIT, AUTOMATIC			
MARK, CONNECTING CAUTION	F1	55	15	PACKING, CARBURETOR	C14	29	16	VOLTAGE	E1	39	6
MARK, EX. CAUTION	F1	55	11	PACKING, CASE COVER	C4	19	2		E4	42	7
MARK, FUEL CAUTION	E16	54	3	PACKING, ELBOW	C15	30	1		E6	44	7
MARK, HONDA	F1	55	8	PACKING, FUEL COCK	C14	29	21	RETAINER, 6MM	E8	46	8
MARK, OIL ALERT	F1	55	8	PACKING, FUEL FILLER CAP	D1	32	5	RETAINER, EX. VALVE SPRING	E3	41	20
			9		D2	33	5	RETAINER, EX. VALVE SPRING	C9	24	11
			10	PACKING, FUEL STRAINER CUP	C14	29	12	RETAINER, IN. VALVE SPRING	C9	24	10
MARK, OIL CAUTION	F1	55	17	PACKING, HEAD COVER	C1	16	7	RING SET, PISTON	C5	20	1
MARK, OIL CHECK	F1	55	12	PACKING, INSULATOR	C14	29	14		C6	21	1
MARK, OPERATOR CAUTION	F1	55	5	PANEL, FR.	E2	40	8		C7	22	1
MARK, PANEL SWITCH	E2	40	9		E4	42	9	ROD ASSY., CONNECTING	C8	23	4
	E4	42	10		E7	45	9	ROD, GOVERNOR	D5	36	2
	E7	45	10		E8	46	10	ROD, PUSH	C9	24	2
	E8	46	11	PIN, GOVERNOR WEIGHT	C3	18	7	ROPE, RECOIL STARTER	E11	49	10
MARK, PROTECTOR	E2	40	10	PIN, LOCK, 8MM	C3	18	19	ROTATOR, VALVE	C9	24	12
			11	PIN, PISTON	C8	23	3	ROTOR COMP.	E14	52	2
			11	PIN, SPRING, 2X12	C14	29	24	RUBBER, BOTTOM	E12	50	3
	E5	43	11	PISTON	C7	22	2				4
			12		C8	23	2	RUBBER, CONTROL BOX	E3	41	22
	E7	45	11	PIVOT, ROCKER ARM	C9	24	5				23
MUFFLER COMP.	C16	31	1	PLATE COMP., SIDE	C11	26	3		E5	43	22
				PLATE, CAUTION	E16	54	4				23
[N]					F1	55	4				24
NOSE, SILENCER	C15	30	6	PLATE, CONSENT SETTING	E6	44	5		E7	45	19
NOZZLE, MAIN	C14	29	11	PLATE, FAN	E13	51	8				20
NUT, FLANGE, 10MM	C3	18	17	PLATE, FRICTION	E11	49	15				21
NUT, FLANGE, 4MM	E3	41	28	PLATE, LEVER SETTING	C14	29	19		E9	47	23
	E5	43	29	PLATE, PUSH ROD GUIDE	C9	24	13				24
	E7	45	25		C10	25	13				25
	E9	47	30	PLATE, SEAL	E3	41	31	RUBBER, SUPPORTER	D1	32	1
NUT, FLANGE, 5MM	E15	53	8	PLATE, SIDE	C11	26	3				
NUT, FLANGE, 6MM	C15	30	11	PLUG ASSY.	F2	56	1	[S]			
			8	PLUG ASSY., CONSENT	F2	56	2	SCREW-WASHER, 5X12	E13	51	16
	D2	33	8					SCREW SET	C13	28	7
	D5	36	10	PLUG, SPARK	C1	16	15	SCREW SET, DRAIN	C13	28	6
	E12	50	5	PROTECTOR, CIRCUIT	E2	40	13	SCREW SET, PILOT	C13	28	5
NUT, FLANGE, 8MM	E12	50	6		E3	41	13		C14	29	27
NUT, HEX., 6MM	E3	41	27					SCREW, FLAT, 4X12	E5	43	25
	E5	43	28					SCREW, FLAT, 4X16	E5	43	26
	E7	45	24					SCREW, PAN, 3X12	E9	47	26



PART NAME INDEX

H 3

Part name	Address	Page	Ref.	Part name	Address	Page	Ref.	Part name	Address	Page	Ref.
SCREW, PAN, 3X6	C14	29	23	TERMINAL SET, EARTH	E6	44	1				
SCREW, PAN, 3X8	C14	29	23		E8	46	3				
SCREW, PAN, 4X10	E7	45	22	TERMINAL, D.C. OUTPUT	E8	46	1				
SCREW, PAN, 4X16	E3	41	25				2				
	E7	45	22	TIE, CABLE	E2	40	12				
	E9	47	27		E5	43	13				
SCREW, PAN, 4X6	E3	41	25		E7	45	12				
SCREW, PAN, 5X12	E13	51	15		E8	46	13				
SCREW, PAN, 5X35	D5	36	9	TUBE, BREATHER	C1	16	8				
SCREW, PAN, 5X8	E13	51	14	TUBE, FUEL, 4.5X140	D2	33	9				
SCREW, SETTING	E11	49	11								
			19	[V]							
SCREW, SPECIAL, 4X7.5	E3	41	19	VALVE SET, FLOAT	C13	28	2				
	E5	43	19	VALVE, EX.	C9	24	8				
	E7	45	17	VALVE, IN.	C9	24	7				
	E9	47	20								
SCREW, SPECIAL, 5X12	E3	41	18	[W]							
	E5	43	18	WASHER, CROWN	E5	43	21				
	E7	45	16		E9	47	22				
	E9	47	19	WASHER, DRAIN PLUG, 10.2MM	C3	18	12				
SCREW, TAPPING, 4X12	E3	41	26	WASHER, PLAIN, 21MM	E3	41	21				
	E5	43	27		E5	43	20				
	E7	45	23		E7	45	18				
	E9	47	28		E9	47	21				
SCREW, TAPPING, 4X6	C16	31	7	WASHER, PLAIN, 6MM	C3	18	18				
SCREW, TAPPING, 5X8	C16	31	6		E3	41	29				
SCREW, THROTTLE STOP	C14	29	10		E5	43	30				
SEAL, VALVE STEM	C10	25	16	WASHER, SPRING, 5MM	E13	51	17				
SHAFT, GOVERNOR ARM	C3	18	9	WASHER, SPRING, 6MM	E3	41	30				
SHROUD COMP.	C11	26	5		E5	43	31				
SLIDER, GOVERNOR	C3	18	8		E7	45	27				
SOCKET	E4	42	5	WASHER, THRUST, 6MM	C3	18	11				
	E6	44	4	WEIGHT, GOVERNOR	C2	17	5				
SPACER COMP., CARBURETOR	C14	29	15	WRENCH COMP., SPARK PLUG	F2	56	4				
SPRING, BRUSH	E13	51	4								
SPRING, COCK LEVER	C14	29	20								
SPRING, CONTROL ADJUSTING	D5	36	6								
SPRING, FRICTION	E10	48	6								
	E11	49	17								
SPRING, GOVERNOR	D5	36	3								
SPRING, RECOIL STARTER	E10	48	7								
SPRING, RETURN	E11	49	8								
			18								
SPRING, THROTTLE RETURN	D5	36	4								
SPRING, VALVE	C9	24	9								
SPRING, WEIGHT RETURN	C9	24	6								
STARTER ASSY., RECOIL	E10	48	1								
	E11	49	13								
STAY, MUFFLER	C16	31	2								
SUB HARNESS	C12	27	6								
SWITCH ASSY., ENGINE STOP	C12	27	7								
SWITCH ASSY., OIL LEVEL	C2	17	3								
[T]											
TANK COMP., FUEL	D1	32	3								
TERMINAL SET, EARTH	E1	39	1								
			2								
	E4	42	1								



1

FOREWORD INDEX

2

ENGINE GROUP

3

FRAME GROUP

4

PART NUMBER INDEX

5

PART NAME INDEX

HONDA
The Power of Dreams



PARTS CATALOGUE NEWS

Honda Motor Co., Ltd. Service Division

PARTS CATALOGUE - CORRECTED

Printed in Japan

CODE NO.	BOOKLET TYPE	17ZS00E4
	MICRO-FICHE	17ZS00ED/FD
PARTS CATALOGUE NEWS		EZ1200
		EZ1400
		EZ1800
		EZ2200
		EZ2500
NEWS NO.		001

Block No.	Ref. No.	Note	Part No.	Description	Reqd. QTY					Serial No.	Parts catalogue code
					EZ 1200	EZ 1400	EZ 1800	EZ 2200	EZ 2500		
E-17	4	E	17620-Z0T-814	*PARTS NO. DELETION							
		D	17620-Z0T-305	CAP COMP., FUEL FILLER	-	1	1	1	1	-----	C/A, G/A, L/A, LS/A, M/A, R/A, S/A, U/A
					-	1	-	-	-	4203083	L, LS, R, S
					-	-	1	1	1	8542060	C, G, L, LS, M, R, S, U

NOTE A:PART NO. CHANGE D:NEWLY PROVIDED E:PART NO. DELETION K:REQUIRED NO. CORRECTION L:APPLICATION SERIAL NO. CORRECTION
T:APPLICATION CORRECTION Z:REMARKS CHANGE

August 22, 2004



PARTS CATALOGUE NEWS

Honda Motor Co., Ltd. Service Division

PARTS CATALOGUE - CORRECTED

Printed in Japan

CODE NO.	BOOKLET TYPE	17ZS00E4
	MICRO- FICHE	17ZS00ED/FD
PARTS CATALOGUE NEWS		EZ1200 EZ1400 EZ1800 EZ2200 EZ2500
NEWS NO.		002

Block No.	Ref. No.	Note	Part No.	Description	Reqd. QTY					Serial No.	Parts catalogue code
					EZ 1200	EZ 1400	EZ 1800	EZ 2200	EZ 2500		
E-12	9	K	90013-883-000	BOLT, FLANGE, 6X12(CT200)	7	7	6	6	6		

NOTE A:PART NO. CHANGE D:NEWLY PROVIDED E:PART NO. DELETION K:REQUIRED NO. CORRECTION L:APPLICATION SERIAL NO. CORRECTION
T:APPLICATION CORRECTION Z:REMARKS CHANGE