



# Cosy Time

Co-Sleeper "Grey"

#036300-314



**IMPORTANT:  
RETAIN FOR FUTURE REFERENCE,  
READ CAREFULLY**

Read all instructions before assembly and use of the co-sleeper. Keep instructions for future use.

### **⚠ WARNING ⚠**

**NEVER LEAVE THE CHILD UNATTENDED IN THE CO-SLEEPER.**  
**IT IS DANGEROUS TO PLACE THE PRODUCT ON A RAISED SURFACE SUCH AS A TABLE.**  
**DO NOT USE THE PRODUCT IF ANY PART IS BROKEN, TORN, OR MISSING.**  
**ONLY AN ADULT SHOULD ASSEMBLE, FOLD AND UNFOLD THE CO-SLEEPER.**  
**BEFORE ASSEMBLY, CHECK THAT THE PRODUCT AND ALL OF IT'S COMPONENTS HAVE NOT BEEN DAMAGED DURING TRANSPORTATION. SHOULD ANY PART BE DAMAGED, DO NOT USE AND KEEP OUT OF REACH OF CHILDREN.**  
**ENSURE USERS OF THIS PRODUCT ARE KNOWLEDGEABLE ON IT'S CORRECT OPERATION.**  
**DO NOT POSITION THE COT NEAR WALLS AND OBSTACLES TO PREVENT ENTRAPMENT.**  
**DO NOT ADJUST THE PRODUCT WITH THE CHILD INSIDE.**  
**DO NOT MOVE THE PRODUCT WITH THE CHILD INSIDE.**  
**DO NOT USE THE PRODUCT WITH MORE THAN ONE CHILD AT A TIME.**

This product is intended for use for babies aged between **0 and 5 months**, weighing up to a **maximum of 9kg**.

When a child is able to sit, kneel or to pull itself up, the product should not be used anymore for this child.

Before use in 'co-sleep' mode (fixed to the bed), make sure the product is securely anchored and positioned.

When the product is used in 'co-sleep' mode (fixed to the bed), make sure the connection belts are hooked and tensioned properly, before laying child in the sleeper. The product must be secured to the parent's mattress and no gaps between the product and the adult's mattress must be present.

**DO NOT** use the sleeper without the support frame. Keep the fastening belts out of reach of children.

The thickness of the uncompressed mattress shall not exceed 25mm. The upper surface of the non compressed mattress must be at least 191 mm lower than the upper surface of the lowest side of the bedside sleeper.

If you purchase a mattress separately, ensure that it is suitable for the product.

**DO NOT** leave any object inside the product that could reduce it's depth.

Be aware of the risk of open fires and other sources of strong heat, such as electric bar heaters, gas fires etc.

The product is ready for use only when all locking mechanisms are engaged. Check carefully that these are engaged before use.

Failure to follow these warnings and instructions could result in serious injury or death.

**NEVER** use the snuggle time co-sleeper bassinet in co-sleeper position without the anchor plate attached and locked as shown. Failure to use this anchoring system could result in serious injury or death to the infant. Make sure all straps are secured and tight. Check straps before each use.

**SUFFOCATION HAZARD:** Discard all packing materials immediately after opening. Plastic bags and ties may cause suffocation or choking.

**FALL HAZARD:** To help prevent falls, do not use this product when infant begins to push up on hands and knees or has reached manufacturer's recommended maximum weight of 9kgs, whichever comes first.

## ⚠️ WARNING ⚠️

**SUFFOCATION HAZARD - INFANTS HAVE SUFFOCATED IN GAPS BETWEEN EXTRA PADDING AND SIDE OF BASSINET/CRADLE AND ON SOFT BEDDING.  
USE ONLY THE PAD PROVIDED BY MANUFACTURER.  
NEVER ADD A PILLOW, COMFORTER OR ANOTHER MATTRESS FOR PADDING.**

If a sheet is used with the pad, use only the one provided by CNP Brands.

To reduce the risk of SIDS, paediatricians recommend healthy infants be placed on their backs to sleep, unless otherwise advised by your physician.

A bedside sleeper is designed to provide a sleeping area for an infant until he or she begins to push up on hands and knees or approximately 5 months of age. Move your child to another sleeping product when your child reaches this stage.

**STRANGULATION/SUFFOCATION HAZARD:** The top edge of the lowering bar must be level with or below the top of the adult mattress when used as the bedside sleeper. The level of the bedside sleeper bassinet mattress must be a minimum of 10cm below the top edge of the lowering bar. **NEVER** raise the level of the cosy time sleeper bassinet mattress.

**NEVER** use plastic shipping bags or other plastic film as mattress covers not sold and intended for that purpose. They can cause suffocation.

Make sure all straps are secured and tight when used in the bedside sleeper position. Tighten straps periodically.

## ⚠️ WARNING ⚠️

**ENTRAPMENT HAZARD - TO PREVENT DEATH FROM ENTRAPMENT, BEDSIDE SLEEPER MUST BE PROPERLY SECURED TO ADULT BED USING THE ATTACHMENT SYSTEM**

There must be no more than 1/2 inch (13mm) gap between bedside sleeper and adult bed.

Check tightness before each use by pulling bedside sleeper in a direction away from adult bed.

If gap exceeds 1/2 inch (13mm) **DO NOT** use product. **DO NOT** fill the gap with pillows, blankets or other items that are suffocation hazards.

Always read and follow assembly instructions for each product use mode (bedside sleeper, bassinet, play yard).

Always use ALL required parts for each use mode. Check instruction manual for a list of required parts. Periodically check product for loose, damaged, or missing parts.

The anchor plate and straps assembly must always be used in bedside sleeper mode.

**NEVER** use this product if there are any loose or missing fasteners, loose joints, broken parts, or torn mesh/fabric. Check before assembly and periodically during use. Contact CNP Brands for replacement parts. Never substitute parts.

Assemble product according to manufacturer's instructions for ANY use mode - bedside sleeper as well as the bassinet.

To avoid death from the infant's neck being caught on the top rail on the side that is next to the adult bed, the top rail must be no higher than the adult bed mattress.

**NEVER** permit bedding from the adult bed to extend into the bedtime sleeper.



**NEVER** leave your infant in the product without the TOP HORIZONTAL RAIL installed in the upper most position, unless securely attached to the adult bed.

Failure to use this securing system will allow the cosy time sleeper to move away from the adult bed and could result in the infant falling out of the bedside sleeper bedside bassinet.

**STRANGULATION HAZARD:** When anchor plate and strap assembly are not in use, store in a safe place not accessible to children.

**DO NOT** place product near a window where cords from blinds or drapes may strangle a child.

Keep the bassinet away from stoves, heaters, campfires and other hazards.

**DO NOT** allow children to climb or play on or under unit in any configuration.

**FALL HAZARD:** Remove infant from the cosy time sleeper before starting any conversions.

Always make sure all top and bottom rails are securely locked, in all configurations, before putting an infant child into the unit.

To prevent serious or fatal injury from falls always keep child within arm's reach. Never leave your child unattended.

Strings can cause strangulation! Do not place items with a string around a child's neck, such as hood strings over a bassinet or cradle or attach strings to toys.

The bedside sleeper is designed for use only with adult beds that are between 18.5 and 24 inches (45cm to 55cm) from floor to top of adult mattress.

## **Congratulations** on your purchase of the **Cosy Time Co-Sleeper**.

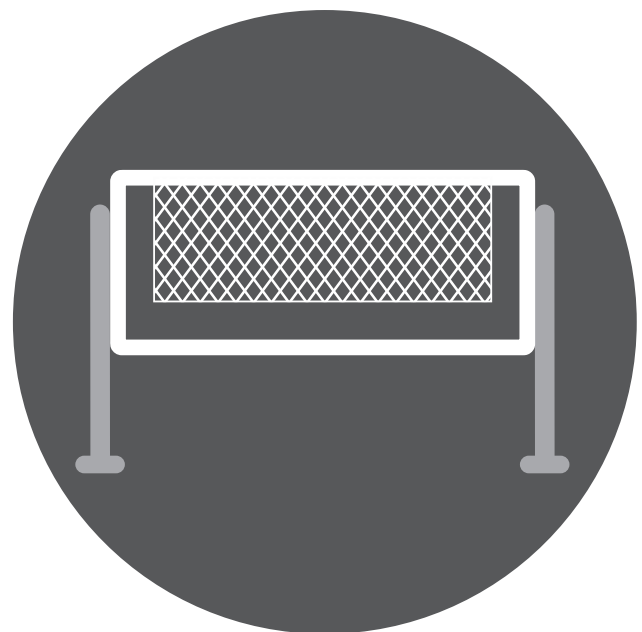
This product has been designed and developed with safety, comfort and functionality in mind. Please take the time to read this manual carefully before using this product and keep it in a safe place for future reference.

### **Contents**

Assembly contents list

Assembly / Operating instructions

How to care for your **Cosy Time Co-Sleeper**





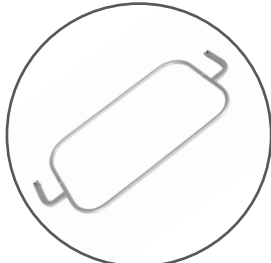

Due to variations in the style and design of our products, the photographs and illustrations shown in this instruction manual are generic, therefore product fabrics, colour and design may vary from images shown. CNP Brands reserves the right to alter product specifications without notice as a result of our ongoing policy of product improvement.

## Check what you have received...

You have received **1 box**. Please check the contents of the box against the list below. If anything is missing, please contact Customer Service.

In Australia, contact **CNP Brands on 1300 667 137**, in New Zealand contact **Wainhouse Distribution on 0800 567 5000**.

## Supplied loose in box:

Sleeper Frame		x 1	Mattress with removable cover		x 1
Middle support frame		x 1	Outer Travel bag		x 1

There are no accessories recommended for use with this Childcare Cosy Time Co-Sleeper.

**Fully assembled product:**

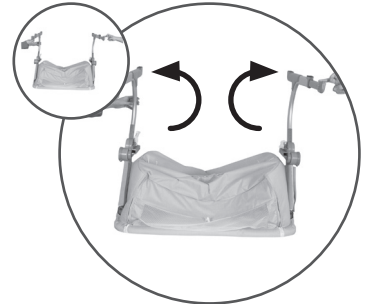
- A: Sleeper Frame
- B: Middle Support Frame
- C: Fixing Belts
- D: Mattress with removable cover



## To assemble Frame and Bassinet Liner...

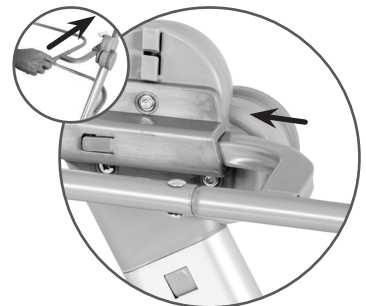
**1**

- 1a. Unzip the carry bag and remove the sleeper.
- 1b. Lay the sleeper frame face down on a flat surface.
- 1c. Holding the central supporting structure, turn both of the legs outward.



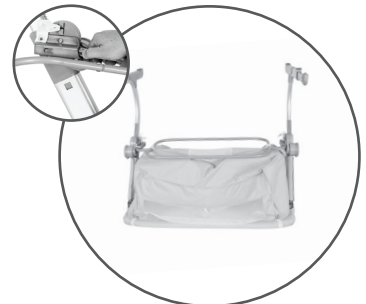
**2**

- 2a. Select the middle support frame and gently push it into the side slots as per image.



**3**

- 3a. You will hear the frame click into position once it is in place.
- 3b. Make sure both sides are securely locked into place.



**4**

- 4a. Once the frame is secure, turn the unit onto its feet.
- 4b. Place the mattress into the sleeper with the curved edges of the mattress reflecting the curved edges of the sleeper.

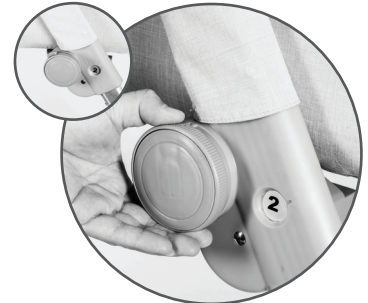


Your Cosy Time Co-Sleeper is now ready for use.



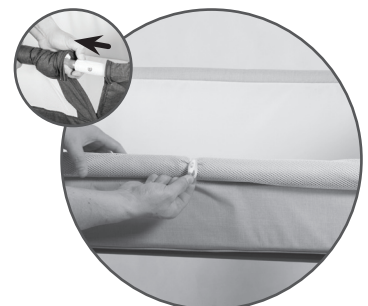
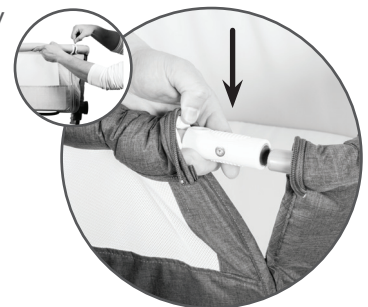
## To adjust height of Co-Sleeper...

- 1
  - 1a. The sleeper can be adjusted to different height positions.
  - 1b. To adjust the height, push the adjuster button then turn the cap clockwise to lower the sleeper or anti clockwise to raise the sleeper.
  - 1c. Turn the cap to the desired height.
- 2
  - 2a. Repeat this operation on the opposite side.



## To fix to bed in Co-Sleeper mode...

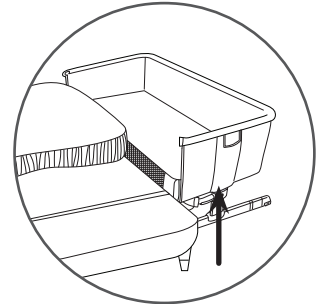
- 1
  - 1a. Unzip the sides of the sleeper until they are completely unzipped.
  - 1b. Push in the pop pin located on the top of the bar.
- 2
  - 2a. Slide the bar away from the pop pin.
  - 2b. The bar on both ends will slide out freely.
  - 2c. Roll up the unzipped side and secure with velcro.



## To fix to bed in Co-Sleeper mode (continued)...

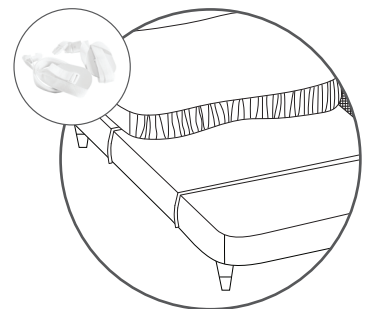
3

- 3a. Move the sleeper close to the parent's bed and check the height of the sleeper compared with the mattress on the bed.
- 3b. The side support of the sleeper should always be placed close to the parent's mattress and the mattress should always be aligned with the height of the side support for restraint of the sleeper.



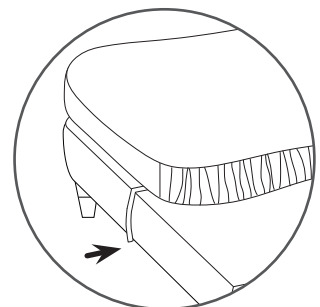
4

- 4a. In order to fix the co-sleeper to the parent's bed in co-sleeping mode, use the attached pair of fixing belts provided.



5

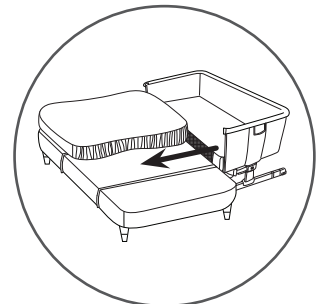
- 5a. Slide the straps between the top mattress and the base using a back and forth 'sawing' motion and at the same time pulling downward until the straps and anchor plates are in the desired position.



**CAUTION!** Ensure the fixing belts are straight

6

- 7a. Tighten the loop by pulling the belts firmly.
- 7b. Adjust the belts separately until the sleeper is firmly in contact with the parent's mattress.
- 7c. Store any excess of belts between the mattress and the bed base.



## To fix to bed in Co-Sleeper mode (continued)...

### ⚠ WARNING ⚠

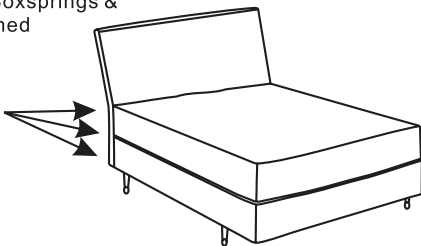
Before every use always check to make sure there is no space between the parent's mattress and the side of the sleeper.

If there is, pull the belts firmly to tighten until there's no space and the permitted condition of use has been restored.

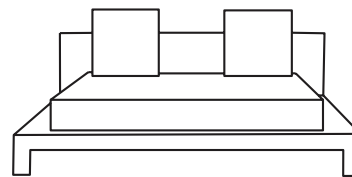
Use of product is only permitted with beds and/or mattresses with straight sides, use of the product with round mattress and or water bed is not permitted.

When the product is used in the co-sleeping mode, it should always be fitted to the long side of access to the bed, do not fix the product to the bed or bottom of the bed.

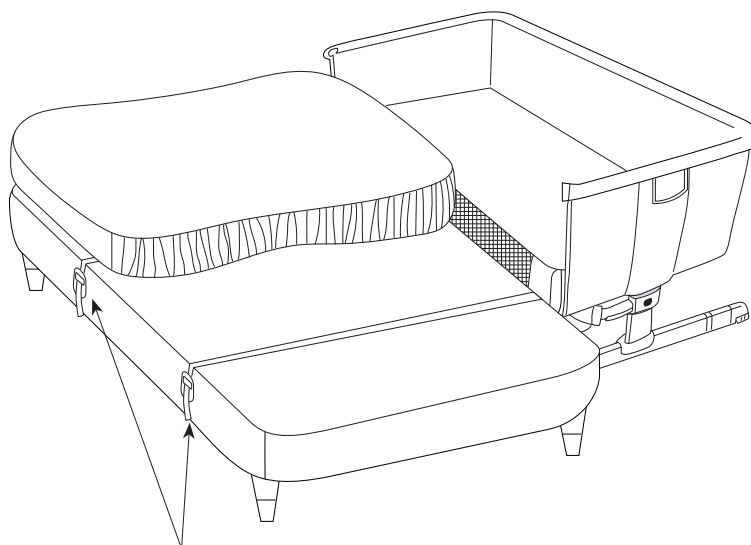
Mattress, Boxsprings & Frame aligned



ACCEPTABLE BED FRAME IN-LINE



UNACCEPTABLE BED, MATTRESS,BOXSPRING&FRAME NOT IN-LINE

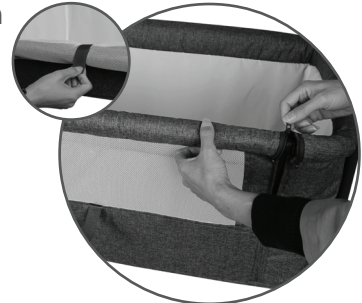


Never use the Cosy Time Sleeper in co-sleeping position without the anchor plate. Ensure the plate is securely attached to the adult bed.

## To assemble freestanding Bassinet...

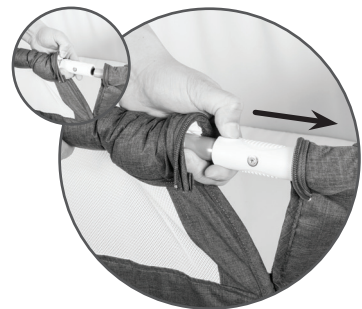
1

- 1a. Release the rolled up velcro fastening and zip up both sides of sleeper.
- 1b. Re-insert bar into top of side panel.



2

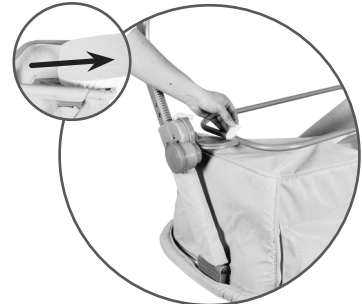
- 2a. Line up the bar of the support frame as shown in the image.
- 2b. Gently push the bar until it 'clicks' into position.
- 2c. Repeat for the other side.



## To remove Lining...

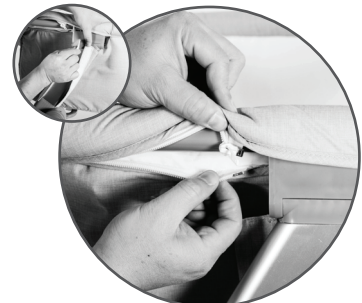
1

- 1a. Remove the mattress and release the velcro tabs from the middle support frame.



2

- 2a. Release the velcro straps from the sides of the sleeper as per image.
- 2b. Locate the zip underneath the fabric lip of the structure and unzip.



## To remove Lining (continued)...

**3**

- 3a. Gently remove the lining from the upper tubular structure, making sure not to damage the internal part of the lining.



## To disassemble Co-Sleeper...

**1**

- 1a. Follow the steps 'To remove Lining...' on page 14 to remove the sleeper lining from the structure.
- 1b. Repeat the steps 'To assemble Frame' in reverse to collapse the co-sleeper.
- 1c. Remove the middle support frame by pressing the fastening pins on both side of the sleeper.

### **⚠ WARNING ⚠**

This method is only possible with bed types that comply with all of the conditions described in this paragraph.

In particular, the side support of the crib should always be put close to the parent's mattress and the mattress should always be aligned with the height of the side support for restraint of the crib. Furthermore, the crib should be firmly fixed to the structure of the parent's bed or to the mattress support.

Check to make sure that the crib in the co-sleeping mode does not interfere with the parent's bed.

During use, make sure that the parent's bed sheets, blankets etc, do not enter and cover the interior of the sleeper.

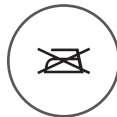
## Cleaning

This product has been designed and developed with safety, comfort and functionality in mind. Please take the time to read this manual carefully before using this product and keep it in a safe place for future reference.

To ensure the long-lasting use of your co-sleeper, do not use solvents, abrasives or aggressive cleaning products. After each wash check the resistance of the fabric and the stitching. For washing of the fabric, carefully comply with instructions indicated on the label (listed below).



Hand wash in cold water



DO NOT iron



DO NOT bleach



DO NOT dry clean



DO NOT tumble dry

## Maintenance

Always check parts regularly for tightness of screws, nuts and other fasteners – tighten or replace if required. The co-sleeper and the mattress have a resistant fabric cover which is completely removable and washable. The removal of the fabric should be carried out by an adult only. On a regular basis check the condition of the product and presence of any possible damage. In the case of damage do not use and keep it out of the reach of children. To maintain the safety of your co-sleeper seek prompt repairs for bent, torn, worn or broken parts. Use only those parts and accessories approved by **CNP Brands**.

If you have any difficulties in assembling the co-sleeper, please contact our Service Department.

In Australia, contact **CNP Brands on 1300 667 137**, in New Zealand contact **Wainhouse Distribution on 0800 567 5000**.



# CNP BRANDS

CHILDCARE NURSERY PRODUCTS | EST. 1899

## About CNP Brands

Currently, **CNP Brands** boasts one of the most diverse brand portfolios with a combination of company owned brands and distribution agreements. These include distribution lines for **4moms, Brica, Cybex, Evenflo, Good Baby, Lascal, Maclaren, Motorola, Munchkin, OiOi and Summer Infant.**

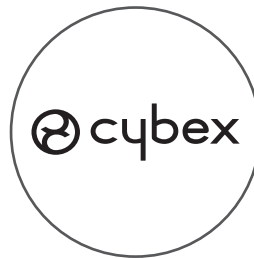
Our own brands, including **Childcare**, have gone from strength to strength in recent years. **Childcare**, and our premium brand **bebe care**, demonstrate our commitment to quality and continuing investment in product development.





# CNP BRANDS

CHILDCARE NURSERY PRODUCTS | EST. 1899



Distributed in Australia by CNP Brands  
20 Calarco Drive,  
Derrimut, VIC, 3030  
Customer Service 1300 667 137

W: [www.cnpbrands.com.au](http://www.cnpbrands.com.au)  
E: [info@cnpbrands.com.au](mailto:info@cnpbrands.com.au)  
F: [www.facebook.com/CNPBrands](http://www.facebook.com/CNPBrands)  
I: @cnp\_baby

Distributed in New Zealand by Wainhouse  
Distribution  
2-6 Argyle St, Morningside,  
PO Box 41-014,  
St Lukes, Auckland, New Zealand  
Customer Service: 0800 567 5000

E: [helpline@wainhousedist.co.nz](mailto:helpline@wainhousedist.co.nz)

