

**Formula™ TRE Powered Seating
TDX®
Power Wheelchairs**



Yes, you can.

Parts Catalog Usage Guide

The information contained in this document is subject to change without notice. This catalog contains service parts for Form No. 04-041. If you have any questions regarding this catalog, please contact one of our Customer Service Representatives.

For Customer Service Support Call:

1-800-333-6900

For Faxed In Orders Call:

1-800-678-4682 or

1-440-366-0709

For Technical Service Call:

1-800-832-4707

Literature Can Be Found at:

www.invacare.com or

1-800-828-6272

SYMBOL DEFINITION

Throughout this catalog you will notice letters to draw your attention to specific footnotes which are located at the bottom of the page or below specified charts.

Examples:

A,B,C etc. = Special Comments

NOTE: = General information pertaining to that specific page

NLA = No Longer Available

HARDWARE MEASUREMENTS

The measurements for the hardware will be listed as follows:

Screws, Bolts Diameter X Thread Count/Pitch X Length

Washers Inside Diameter X Outside Diameter X Thickness

Spacers Inside Diameter X Outside Diameter X Length

For your convenience, we have supplied an area for you to list your Invacare Representatives.

Name	Phone Numbers

© 2018 Invacare Corporation. Elyria, Ohio. Invacare, Yes, you can., the Blue Medallion Design, SureStep, Storm Series, TDX are registered trademarks and Formula, Contoura, Personal Back 10, DualFlex, MKIV, MK5, EX, and TCD are trademarks of Invacare Corporation.

Otto Bock is a registered trademark owned by Otto Bock Orthopaedische Industrie GMBH & Co.. JAY Back is a registered trademark of Sunrise Medical HHG, Inc. Corporation.

TABLE of CONTENTS

Description	Page Number
A: READ THIS FIRST (THIS CATALOG IS DIFFERENT!)	7
Accessories - Arm Pads - Otto Bock	154
Accessories - Back Cane Push Handle Attachments - Contoura Seating	158
Accessories - Back Cane Push Handle Attachments - Conventional Tilt & Tilt w/ BPO Option	156
Accessories - Headrest Support Assembly - Matrx Elan MEHSP-10,14	164
Accessories - Headrest Support Assembly - Stealth CP175/CP275/CP180/CP280	162
Accessories - Headrest Supports - Tarsys	160
Accessories - Lateral Supports - Stealth - Contoura Seating TWB-CPR/TWB-CPRL	175
Accessories - Lateral Supports - Stealth - Conventional Recline - T/R & Recline w/ BPO Option TWB-TPR/TWB-TPRL	171
Accessories - Lateral Supports - Stealth - Conventional Tilt & Tilt w/ BPO Option TWB-RPR/TWB-RPRL	168
Accessories - Lateral Supports - Tarsys - Contoura Seating CSLM/CSLL	172
Accessories - Lateral Supports - Tarsys - Conventional Recline - T/R & Recline w/ BPO Option TMSLM/TMSLL	169
Accessories - Lateral Supports - Tarsys - Conventional Tilt & Tilt w/ BPO Option TMSLM/TMSLL	165
Accessories - Miscellaneous	202
Accessories - Personal Back10 (TALL Regular/TALL Plus) Mtg. Hdwr. - Conventional Recline w/ BPO Option	198
Accessories - Power Wheelchair Tool Kit	200
Accessories - Seat & Chest Positioning Strap Mounting Hardware	196
Accessories - Seat & Chest Positioning Straps without Mounting Hardware	194
Accessories - Vent Tray Assembly without Mounting Hardware	186
Accessories - Vent Tray Kits	177
Accessories - Vent Tray Mounting Hardware - Conventional & Contoura Recline Only	190

TABLE of CONTENTS

Description	Page Number
Accessories - Vent Tray Mounting Hardware - Conventional Tilt & BPO Option	188
Accessories - Vent Tray Mounting Hdwr. - Conventional Tilt/Recline - (Contoura Tilt & T/R) & All T/R w/ BPO Option	192
Actuator Module - Elevate Integrated (EIAM) - For Elevate Actuator Motor w/ MK6i Electronics	57
Actuator Module - Recline Integrated Actuator Module (RIAM) For Recline & Tilt/Recline	59
Actuator Motor - Elevate & Mounting Hardware	55
Actuator Motor - Recline & Mounting Hardware	53
Actuator Motor - Tilt & Mounting Hardware	51
Arms - Mounting Hardware - Conventional & Contoura - Recline & Tilt/Recline Seating	135
Arms - Mounting Hardware - Conventional & Contoura Tilt Seating	138
Arms - Mounting Swingaway Hardware - Elevate Only For ASBA/ADJASBA Seating	131
Arms - Mtg. Front/Rear Arm Socket Asbly. & Hdwr. - Elevate Only For ADJASBA Seat (16" - 22" W) (After 7/4/05)	133
Arms - w/o Mounting Hardware - Adjustable Height - Elevate Only or Tilt Seating	126
Arms - w/o Mounting Hardware - Fixed Height - Elevate Only or Tilt Seating	122
Arms - w/o Mounting Hardware - Recline & Tilt/Recline	129
Backs - Contoura without Mounting Hardware - Before 5/15/09	74
Backs - Conventional without Mounting Hardware	69
Backs - Curve Contoura without Mounting Hardware - After 5/14/09	78
Backs - Mounting Hardware - Contoura - ADJASBA Only - Before 5/15/09	89
Backs - Mounting Hardware - Contoura Recline & Tilt/Recline - Before 5/15/09	91
Backs - Mounting Hardware - Contoura Tilt - Before 5/15/09	87
Backs - Mounting Hardware - Conventional Recline & Tilt/Recline - Before 5/15/09	85

TABLE of CONTENTS

Description	Page Number
Backs - Mounting Hardware - Conventional Tilt - Before 5/15/09	83
Backs - Mounting Hardware - Curve Contoura - After 5/14/09	93
Backs - Prop Rod Assembly - Contoura Tilt	95
Backs - Recline Shear Link Assemblies	97
Battery Box Hdwr. - Door Asbly. - Elevate Actuator Motor - Elevate For ASBA/ADJASBA - Conv. & Contoura Seating	18
Battery Box Hdwr. & Door Asbly. - Non-Elevate Conv. & Contoura Seating	15
Battery Support Bracket Assembly TRBKTS Option	20
Battery Tray Asbly. & Wire Harnesses For Vent Tray (3) 22NF Batteries	22
Battery Wire Harnesses - Sensor Proximity Switch - Extension Cables & Energy Chain - All Elevate Systems	24
Canes - Back - Back Frame - Slide Blocks & Sleeves - Contoura Seating	111
Canes - Back - Slide Blocks & Sleeves - Conventional Recline - BPO Recline & Tilt/Recline .	109
Canes - Back - Solid Straight w/o Push Handle & Mtg. Hdwr. - Conventional Tilt & Tilt w/ BPO Option	107
Canes - Back - Spreader Bars & Hdwr. (16" - 22" W) - Elevate Only For ASBA Seating (Before 7/5/05)	99
Canes - Back & Spreader Bars (16" - 22" W) - Elevate Only For ADJASBA Seating (After 7/4/05)	102
Canes - Back Att. Hdwr. (16" - 22" W) Elevate Only For ADJASBA Seating (After 7/4/05)	105
Cushions - Seat - Contoura Seating	64
Electronics - MK5 ~PLEASE READ THIS FIRST~	152
Electronics - MK6i ~PLEASE READ THIS PAGE~	151
Frame - Tilt & Mounting Hardware	47
Frame Finishes - Touch-Up Paints & Upholstery Options	8
Frames - Seat & Hardware (16" - 22" W) - Elevate Only For ASBA Seating (Before 7/5/05) ..	27

TABLE of CONTENTS

Description	Page Number
Frames - Seat & Seat Pan w/ Hdwr. (16" - 20" W x 16" - 22" D Conventional) & (16", 18", 20" W x 16" - 22" D Contoura) Stg.	33
Frames - Seat & Seat Pan w/ Hdwr. (16" - 20" W x 16" - 22" D) - Elevate Only For ADJASBA Seating (After 7/4/05)	29
Frames - Seat & Seat Pan w/ Hdwr. (20" - 22" W x 16" - 22" D) - Elevate Only For ADJASBA Seating (After 7/4/05)	31
Frames - Seat & Seat Pan w/ Hdwr. (20" - 24" W x 16" - 22" D Conventional) & (20", 22", 24" W x 16" - 22" D Contoura) Stg.	35
Frames - Seat Mounting Hardware - Elevate Only For ADJASBA Seating (After 7/4/05)	39
Frames - Seat Mounting Hardware - Elevate Only For ADJASBA Seating with TRBKTS Option	41
Frames - Seat Mounting Hardware - Elevate Only For ASBA Seating (Before 7/5/05)	37
Frames - Seat Mounting Hardware - Recline Only For Conventional & Contoura Seating	43
Frames - Seat Mounting Hardware - Tilt or Tilt/Recline For Conventional & Contoura Seating	45
Front Riggings ~PLEASE READ THIS FIRST~	153
Label Locations For TRBKTS Option	12
Packaging & Literature	10
RETROFIT KITS FOR FORMULA TRE POWERED SEATING	14
Seat Pans & Mounting Hardware - Elevate Only For ASBA Seating (Before 7/5/05)	61
Shroud Cover - Conventional Seating	142
Shroud Cover - Conventional Tilt, Tilt w/ BPO or Tilt-Elevate w/ MK6i Electronics (After 2/28/07)	147
Shroud Covers - Contoura Seating	140
Shroud Covers - Conventional Tilt, Tilt w/ BPO or Tilt-Elevate w/ MK6i Electronics (Before 3/1/07)	144
Shroud Covers - Recline & Tilt/Recline Conventional or Contoura Seating w/ MK6i Electronics	149
Spreader Bar Assembly - Contoura Tilt - Recline & Tilt/Recline	117
Spreader Bar Assembly - Conventional Recline & Tilt/Recline	119

TABLE of CONTENTS

Description	Page Number
Spreader Bar Assembly - Conventional Tilt w/o Vent	115
Spreader Bar Assembly - Double For Conventional Tilt w/ Vent & Tilt w/ BPO Option	113
Spring - Seat Frame Balance & Tilt Spring Assist Assemblies For Tilt & Tilt/Recline	49
TRBKTS Option Clarification Reference	13
Upholstery - Back Nylon - Elevate Only For ASBA/ADJASBA Seating	67

A: READ THIS FIRST (THIS CATALOG IS DIFFERENT!)

The Formula TRE Powered Seating System parts catalog information is now divided into three separate catalogs.

The Form Numbers and Cover Titles are listed below.

Form # 04-041

Formula TRE Powered Seating System
For
TDX
Powered Wheelchairs

Form # 06-102

Formula TRE
Front Riggings & MK5 Electronics
For
TDX
Powered Wheelchairs

Form # 06-110

MK6i Electronics
(MK6i Electronics was introduced on or about 10/9/06)

Use all three form numbers to order a “complete” Parts Catalog

Frame Finishes, Touch-Up Paints and Upholstery Options

Frame Finishes and Touch-Up Paint

Color Number	Part Number	Bottle Size	Frame Finish
08P	1031456-NLA	.6 oz.	Deep Purple
17P	1046319-NLA	.6 oz.	Cobalt Blue
22P	1033376-NLA	.6 oz.	Anthracite
24P	1031450-NLA	.6 oz.	Wet Black
33P	1031455-NLA	.6 oz.	Red
34P	1046327-NLA	.6 oz.	Flat Black
61P	1046321-NLA	.6 oz.	Electric Red
62P	1046320-NLA	.6 oz.	Electric Blue
66P	1046322-NLA	.6 oz.	Electric Purple
69P	1101320-NLA	.6 oz.	Teflon Black
71P	N/A	N/A	Silver Vein
84P	1073896-NLA	.6 oz.	Lavender
101P	1101325-NLA	.6 oz.	Jeweled Green
102P	1101327-NLA	.6 oz.	Denim Blue
104P	1101316-NLA	.6 oz.	Electric Teal
105P	1101326-NLA	.6 oz.	Midnight Blue
115P	N/A	N/A	Black Prism
116P	N/A	N/A	Sunkissed Orange
117P	N/A	N/A	Tangerine Red
118P	N/A	N/A	Fruit Fusion
119P	N/A	N/A	Bubblegum Pink
120P	N/A	N/A	Grape Madness
121P	N/A	N/A	Lolly Pop Blue
122P	N/A	N/A	Cosmic Blue
123P	N/A	N/A	Celestial Purple
124P	N/A	N/A	Vivid Violet
125P	N/A	N/A	Emerald Green
126P	N/A	N/A	Shamrock Green
127P	N/A	N/A	Grasshopper Green

Frame Finishes, Touch-Up Paints and Upholstery Options

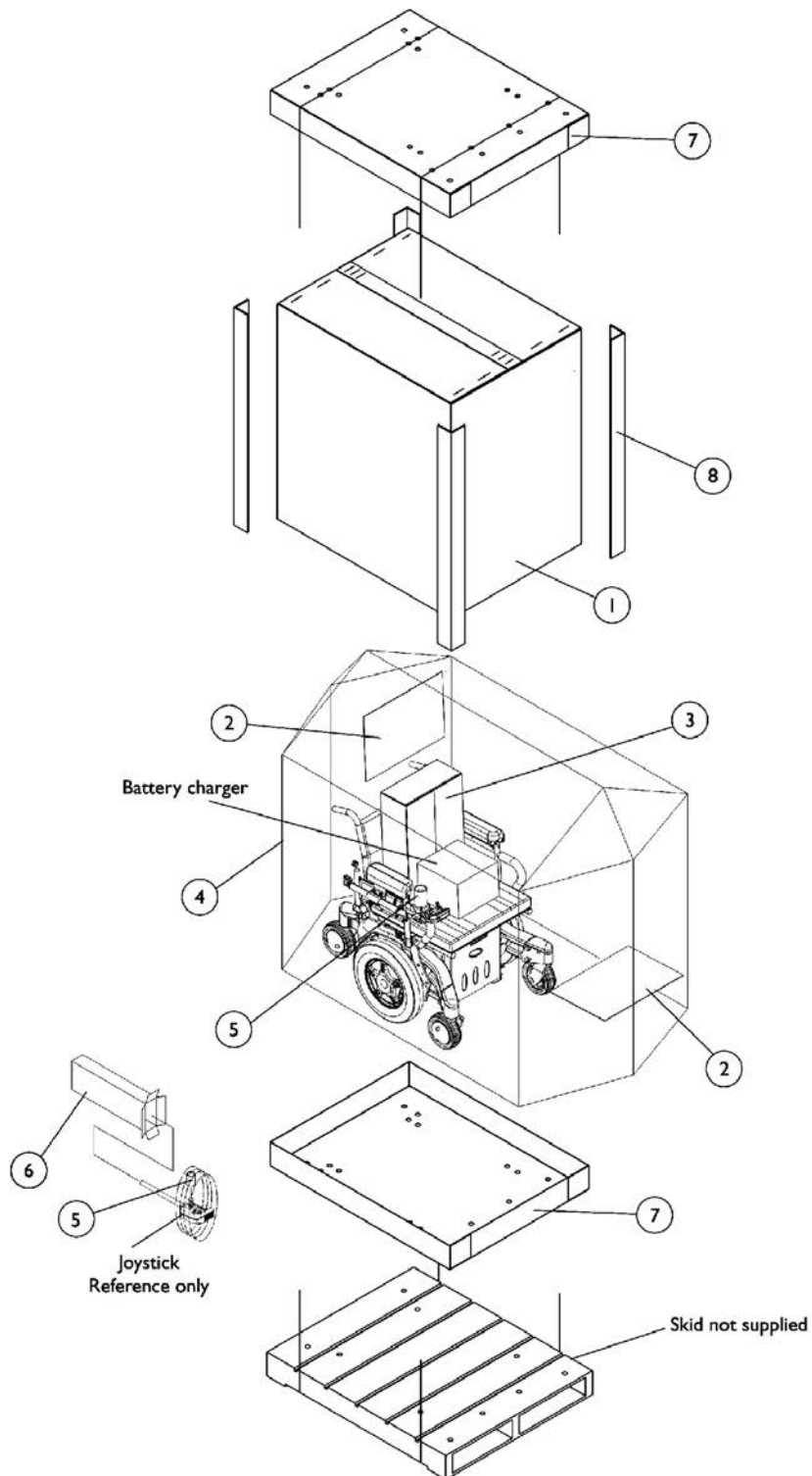
Sparkle Frame Finishes

Color Number	Frame Finish
88P	Wet Black with Twilight Sparkle

Upholstery Options For A.S.B.A. Seating

Nylon Color
U240 Black

Packaging and Literature



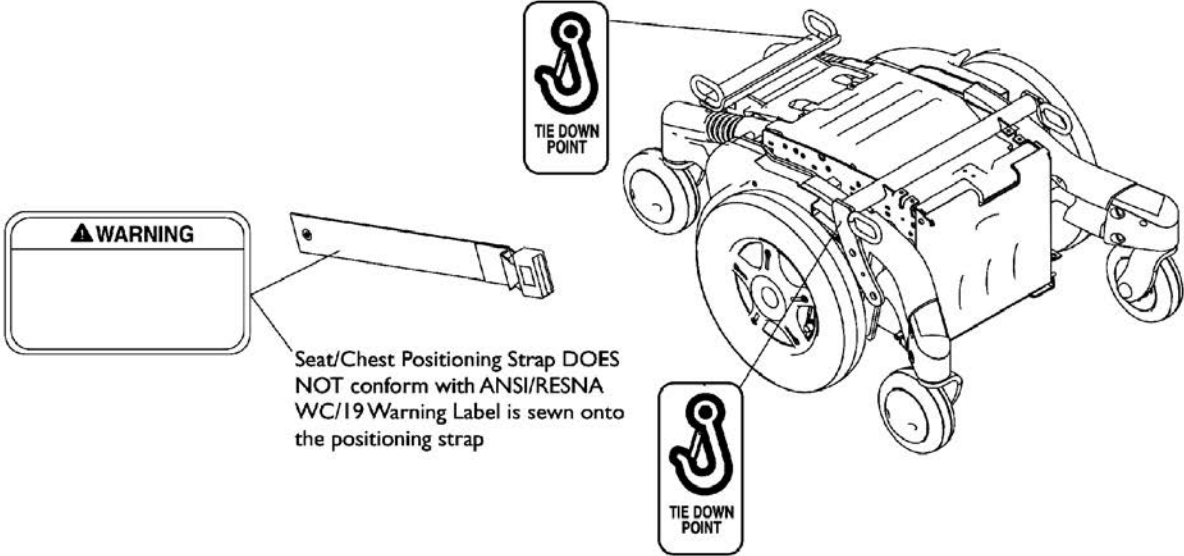
Packaging and Literature

Item Number	Note	Part Number	Description	Quantity Per	
				Package	Assembly
1		1036028	Carton, Cover	1	1
2		40131X161	Insert, Plain Pad	1	2
3		40131X011	Carton, Front Riggings	1	1
4		1015592	Bag, Poly (72" L x 35" W x 19" D)	1	1
5		1043198-NLA	NLA - Tube, Paper	1	1
6	C	1012001-NLA	NLA - Carton, Joystick	1	1
7		1036027	Carton, Tray	1	2
8		1129590-NLA	Carton, Corner Reinforcement	1	4
	A	00077X031-NLA	NLA - Warranty Card	1	1
	A	1114809-NLA	NLA - Owner's Manual, TDX w/ MK5 Electronics	1	1
	A,B	1122170-NLA	NLA - Owner's Manual, Formula TRE w/ MK6i Electronics	1	1

NOTE: A - Not Shown
 B - Item is no longer available from the Invacare Service Parts Department. Refer to the Invacare Website under "Product Literature Search". Enter the part number in the "Keywords" field and download a free PDF version copy.
 C - Order part #40131X011 to use as a replacement Joystick Carton also.

When adjusting or replacing parts, please refer to your Owner's Manual for assistance.

Label Locations For TRBKTS Option



TRBKTS Option Label Locations

TRBKTS Option Clarification Reference

TRBKTS Option was introduced 12/19/05 as an On-Chair option only.

About TRBKTS Transport Ready Package

TRBKTS includes four factory-installed wheelchair transport brackets. **TRBKTS** has not been crash-tested in accordance with WC 19. Use these transport brackets only to secure an unoccupied wheelchair during transport.

Only use the transport brackets included with **TRBKTS** for the purpose described in the appropriate Owner's Operator and Maintenance Manual.

Battery support brackets **MUST** be installed at all times. Otherwise, the wheelchair will not be WC/19 compliant. Refer to Removing/Installing the Batteries From/Into the Wheelchair in the appropriate Owner's Operator and Maintenance Manual.

As of this date, the Department of Transportation has not approved any tie-down systems for transportation of a user while in a wheelchair, in a moving vehicle of any type. It is Invacare's position that users of wheelchairs should be transferred into appropriate seating in vehicles for transportation and use be made of the restraints made available by the auto industry. Invacare cannot and does not recommend any wheelchair transportation systems.

NOTE: ANSI = American National Standards Institute, RESNA = Rehabilitation Engineering and Assistive Technology Society of North America.

RETROFIT KITS FOR FORMULA TRE POWERED SEATING

ATTENTION!

The following Retrofit Kits are currently **NOT** available on **TDX (TDXSEAT)** under the **Consent Decree** process.

- ✍ Add Formula TRE Tilt to existing ADJASBA seat. (T-TDXK)
- ✍ Add Formula TRE Tilt/Recline to existing ADJASBA seat. (TR-TDXK)
- ✍ Add Formula TRE Recline to existing Formula TRE Tilt seat. (R2T-TDXK)

NOTE:

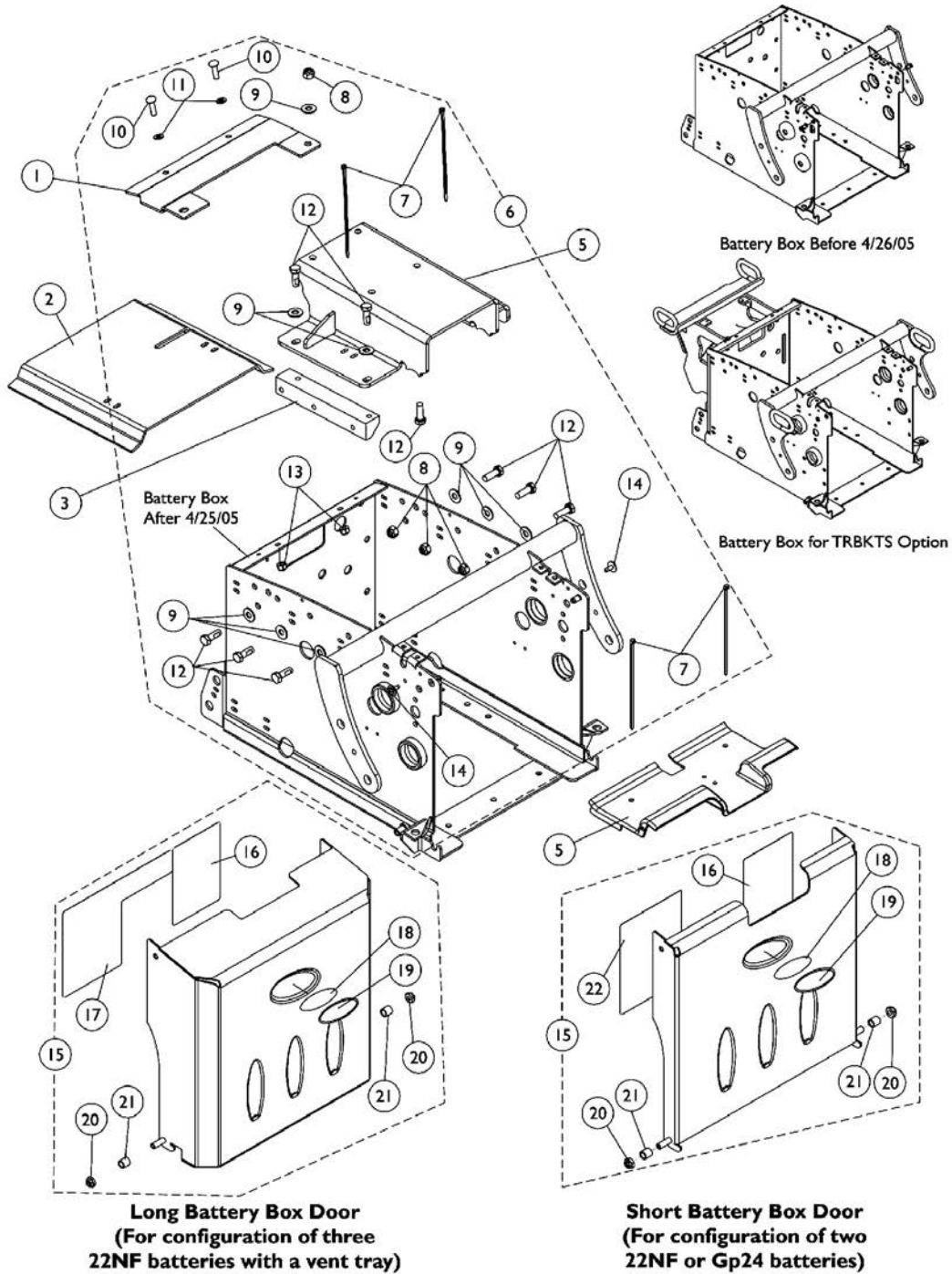
1. Retrofit Kits are available thru Invacare's Equipment Configurator only.
2. No Retrofit Kits will be offered for adding Tilt to Recline.
3. No Retrofit Kits will be offered for adding any kind of Elevate System to an ADJASBA System.
4. Adding Tilt or Tilt/Recline to an existing Elevate System requires that the wheelchair be returned to Invacare Corporation. The Technical Service Repair Department must do the installation.
5. For details on electronics, additional options and footnotes regarding the ordering process, refer to the Off Chair Retrofit Kit Price List located at Invacare.com under Product Literature Search.

Battery Box Hardware and Door Assembly

Non-Elevate

For Formula Conventional and Contoura Seating

The Battery Boxes are non-serviceable parts in the field. Wheelchair must be returned to Invacare for repair. Call Technical Services for assistance (1-800-832-4707)



Battery Box Hardware and Door Assembly

Non-Elevate

For Formula Conventional and Contoura Seating

The Battery Boxes are non-serviceable parts in the field. Wheelchair must be returned to Invacare for repair. Call Technical Services for assistance (1-800-832-4707)

Item Number	Note	Part Number	Description	Quantity Per	
				Package	Assembly
1	E	1128731	Bracket, Frame Stiffener, Black	1	1
2	F	1124725	Shroud, Battery Box Isolation	1	1
3		1125639	Block, Side Support	1	1
4		1124668-NLA	NLA - Shroud, Front Battery Box	1	1
5	E	1128729-NLA	NLA - Bracket, Seat Frame Mounting, Black LOW 0° = 18" STF; 5° = (19-3/4" STF For 16-19" Deep) or (21-1/4" STF For 20-22" Deep)	1	1
5	E	1128730	Bracket, Seat Frame Mounting, Black TALL 0° = 19-1/4" STF; 5° = (21" STF For 16-19" Deep) or (21-1/4" STF For 20-22" Deep)	1	1
6	A	1125738	NLA - Kit, Non-Elevate Battery Box Assembly Hardware	1	1
7			Tie Wrap (5-5/8" L)	1	4
8			Locknut (5/16-18)	1	4
9			Washer, Steel (5/16 x 3/4 x 1/16")	1	9
10			Bolt, Hex Head Cap (1/4-20 x 3/4")	1	2
11			Washer (1/4 x 1/2 x 1/16")	1	2
12			NLA - Screw, Hex Head w/ Patch (5/16-18 x 7/8")	1	9
13			Locknut (1/4-20)	1	2
14			Screw, Phillips Pan Head Tap (#10-32 x 1/2")	1	2
15	B,D,G	1113357	NLA - Kit, Battery Box Door Assembly, 22NF Short	1	1
16			NLA - Label, 22NF Terminal Configuration Warning	1	1
18			NLA - Decal, Blank Logo	1	1
19			NLA - Decal, Invacare Medallion - Large	1	1
20			Locknut (1/4-20)	1	2
21			NLA - Sleeve, Door Pivot	1	2
22			NLA - Label, 22NF Battery Install/Remove	1	1
15	B,D	1113127-NLA	NLA - Kit, Battery Box Door Assembly, GP24 Short	1	1
16			NLA - Label, Terminal Configuration Warning, GP24	1	1
18			NLA - Decal, Blank Logo	1	1
19			NLA - Decal, Invacare Medallion - Large	1	1
20			Locknut (1/4-20)	1	2
21			NLA - Sleeve, Door Pivot	1	2
22			Label, Battery Install/Remove, GP24	1	1
15	C,D	1121072-NLA	Kit, Battery Box Door Assembly, 22NF Long (For Vent)	1	1
16			NLA - Label, 22NF Terminal Configuration Warning	1	1
17			NLA - Label, 3 Battery Configuration Warning	1	1
18			NLA - Decal, Blank Logo	1	1
19			NLA - Decal, Invacare Medallion - Large	1	1
20			Locknut (1/4-20)	1	2

Battery Box Hardware and Door Assembly

Non-Elevate

For Formula Conventional and Contoura Seating

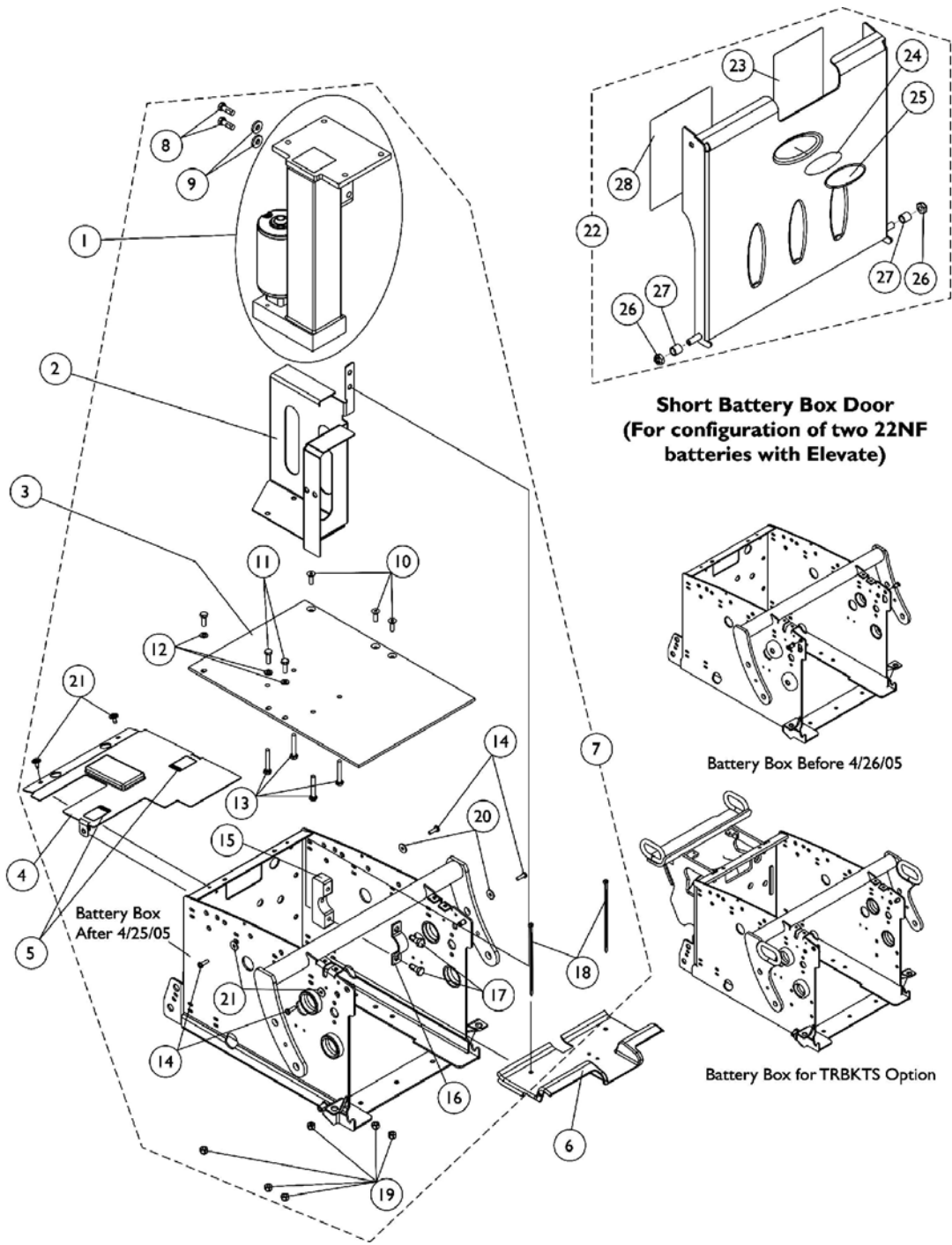
The Battery Boxes are non-serviceable parts in the field. Wheelchair must be returned to Invacare for repair. Call Technical Services for assistance (1-800-832-4707)

Item Number	Note	Part Number	Description	Quantity Per	
				Package	Assembly
21			NLA - Sleeve, Door Pivot	1	2
NOTE: A - Includes Battery Box Door along w/ Items 7-14. B - Includes Battery Box Door along w/ Items 16 and 18-22. C - Includes Battery Box Door along w/ Items 16-21. D - Blank Logo Decal is no longer available and no longer required for item number 19 Invacare Medallion Decal. E - Chairs manufactured before 8/30/04 must have items 1 and 5 ordered together in order for the mounting holes to line up properly F - No longer available as a service part. G - Item is no longer available from the Invacare Service Parts Department. Refer to the Invacare Website under "Product Literature Search". Enter the part number in the "Keywords" field and download a free PDF version copy.					

Battery Box Hardware, Door Assembly, Elevate Actuator Motor Elevate

For ASBA/ADJASBA, Conventional and Contoura Seating

The Battery Boxes are non-serviceable parts in the field. Wheelchair must be returned to Invacare for repair. Call Technical Services for assistance (1-800-832-4707)



Battery Box Hardware, Door Assembly, Elevate Actuator Motor Elevate

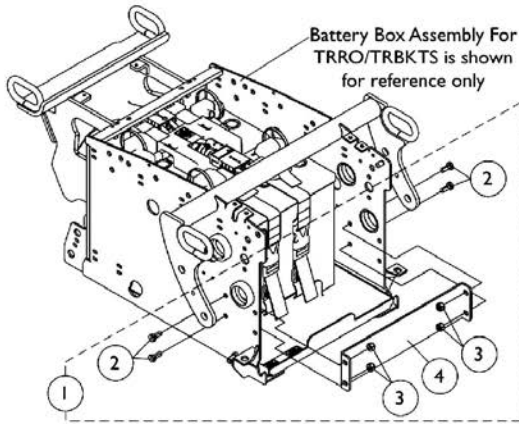
For ASBA/ADJASBA, Conventional and Contoura Seating

The Battery Boxes are non-serviceable parts in the field. Wheelchair must be returned to Invacare for repair. Call Technical Services for assistance (1-800-832-4707)

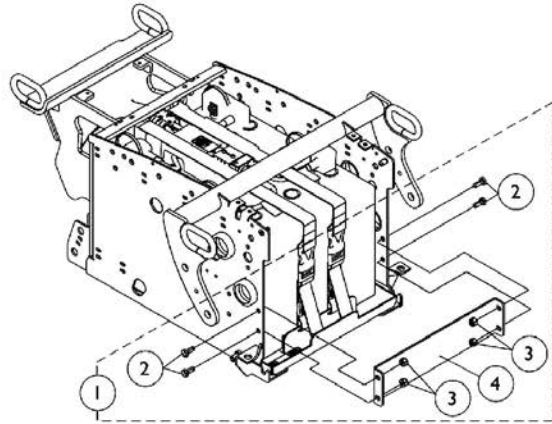
Item Number	Note	Part Number	Description	Quantity Per	
				Package	Assembly
1		1122258-NLA	NLA - Elevating Actuator Assembly	1	1
2		1124653-NLA	NLA - Bracket, Elevate, Black	1	1
3		1124670	Plate, Battery Box Bottom	1	1
4		1124721-NLA	NLA - Shroud w/ Decals, Elevate, Battery Box	1	1
5		1079203	Decal, Warning Pinch Point	1	2
6		1124668-NLA	NLA - Shroud, Front Battery Box	1	1
7	A	1125739	NLA - Kit, Battery Box Assembly Hardware Elevate	1	1
8			NLA - Screw, Hex Head w/ Patch (5/16-18 x 7/8")	1	2
9			Washer, Flat (21/64 x 53/64 x 7/64")	1	2
10			Screw, Socket Flat Head (1/4-20 x 3/4")	1	3
11			Bolt, Hex Head Cap (1/4-20 x 3/4")	1	3
12			Washer (1/4 x 1/2 x 1/16")	1	3
13			Screw, Hex Head (1/4-20 x 1-5/8")	1	4
14			Screw, Phillips Pan Head (#10-32 x 5/8")	1	4
15			NLA - Bracket, Upper Seat, Front, Black	1	1
16			NLA - Bracket, Lower Seat, Front, Black	1	1
17			Screw, Hex Head w/ Patch (5/16-18 x 3/4")	1	2
18			Package, Tie Wrap (5-5/8" L)	1	2
19			Locknut (1/4-20)	1	6
20			Washer, Flat (3/16 x 5/8 x 1/16")	1	4
21			Screw, Phillips Pan Head Tap (#10-32 x 1/2")	1	2
22	B,C	1125776	Kit, Battery Box Door Elevate Assembly, 22NF Short	1	1
23			NLA - Label, 22NF Terminal Configuration Warning	1	1
24			NLA - Decal, Blank Logo	1	1
25			NLA - Decal, Invacare Medallion - Large	1	1
26			Locknut (1/4-20)	1	2
27			NLA - Sleeve, Door Pivot	1	2
28			NLA - Decal, Warning, Battery Install	1	1

NOTE: A - Includes items 8-21
 B - Includes items 23-28
 C - Blank Logo Decal is no longer available and no longer required for item number 25 Invacare Medallion Decal.

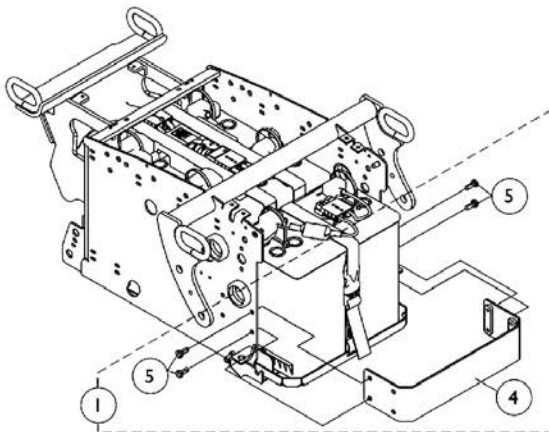
Battery Support Bracket Assembly For TRBKTS Option



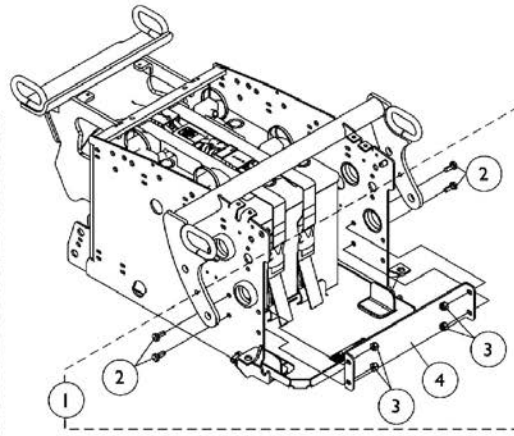
Battery Support Bracket Assembly
For 22NF Batteries



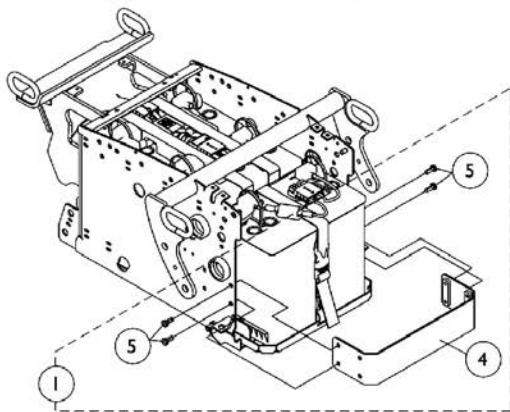
Battery Support Bracket Assembly
For GP24 Batteries



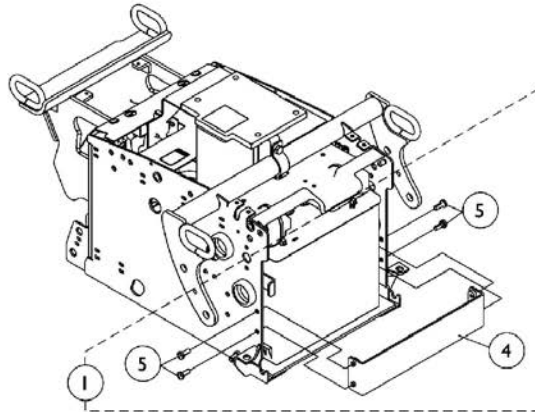
Battery Support Bracket Assembly
For Invisible Super Low Tilt System with 22NF Batteries



Battery Support Bracket Assembly
For Vent "Ready" System with 22NF Batteries



Battery Support Bracket Assembly
For Vent "Option" System with 22NF Batteries



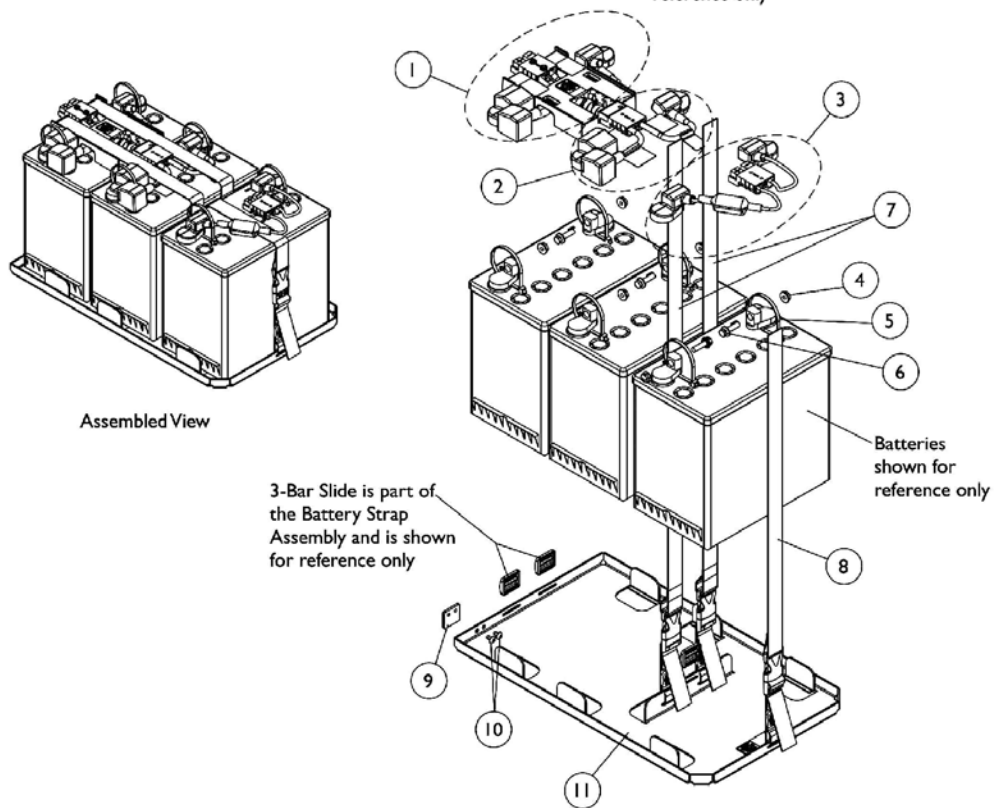
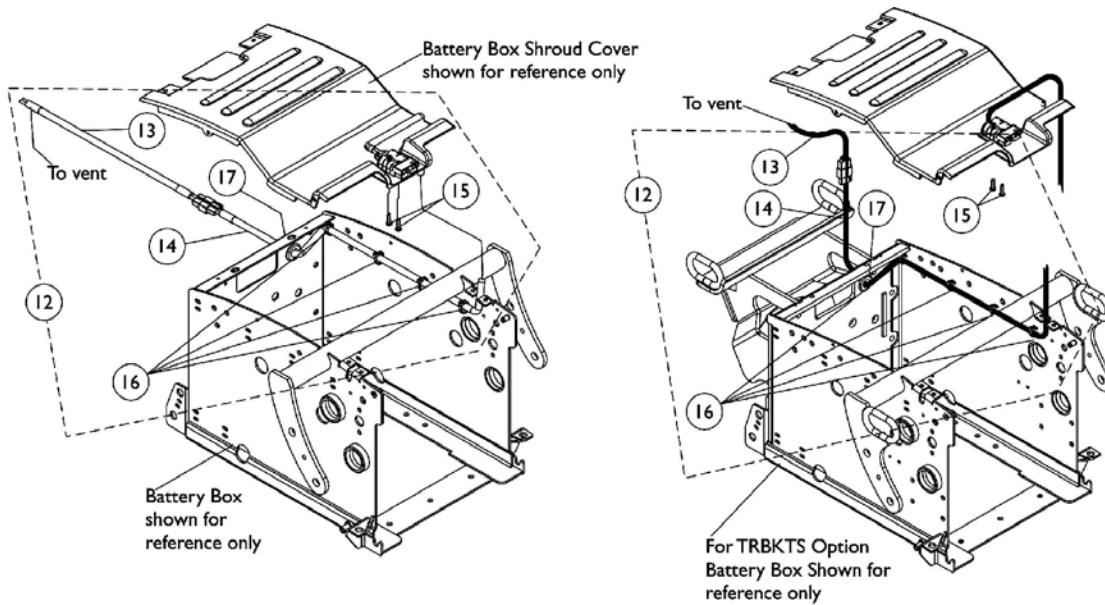
Battery Support Bracket Assembly
For Elevate "Option" System with 22NF Batteries

Battery Support Bracket Assembly For TRBKTS Option

Item Number	Note	Part Number	Description	Quantity Per	
				Package	Assembly
1	A	1139537-NLA	NLA - Kit, Battery Support Bracket Assembly - For 22NF Batteries	1	1
2			Screw, Hex Head w/ Patch (1/4-20 x 1/2")	1	4
3			Locknut (1/4-20)	1	4
4			Bracket, Battery Support, Black	1	1
1	A	1139538-NLA	NLA - Kit, Battery Support Bracket Assembly - For GP24 Batteries	1	1
2			Screw, Hex Head w/ Patch (1/4-20 x 1/2")	1	4
3			Locknut (1/4-20)	1	4
4			Bracket, Battery Support, Black	1	1
1	B	1139539-NLA	NLA - Kit, Battery Support Bracket Assembly - For Invisible Super Low Tilt System w/ 22NF Batteries	1	1
4			Bracket, Battery Support, Black	1	1
5			Screw, Hex Head w/ Patch (1/4-20 x 1/2")	1	4
1	A	1139540-NLA	Kit, Battery Support Bracket Assembly - For Vent "Ready" System w/ 22NF Batteries	1	1
2			Screw, Hex Head w/ Patch (1/4-20 x 5/8")	1	4
3			Locknut (1/4-20)	1	4
4			Bracket, Battery Support, Black	1	1
1	B	1139541	NLA - Kit, Battery Support Bracket Assembly - For Vent "Option" System w/ 22NF Batteries	1	1
4			Bracket, Battery Support, Black	1	1
5			Screw, Hex Head w/ Patch (1/4-20 x 1/2")	1	4
1	B	1139867-NLA	Kit, Battery Support Bracket Assembly - For Elevate "Option" System w/ 22NF Batteries	1	1
4			Bracket, Battery Support, Black	1	1
5			Screw, Hex Head w/ Patch (1/4-20 x 1/2")	1	4

NOTE: A - Includes items 2-4
B - Includes items 4 and 5

Battery Tray Assembly and Wire Harnesses For Vent Tray (3) 22NF Batteries

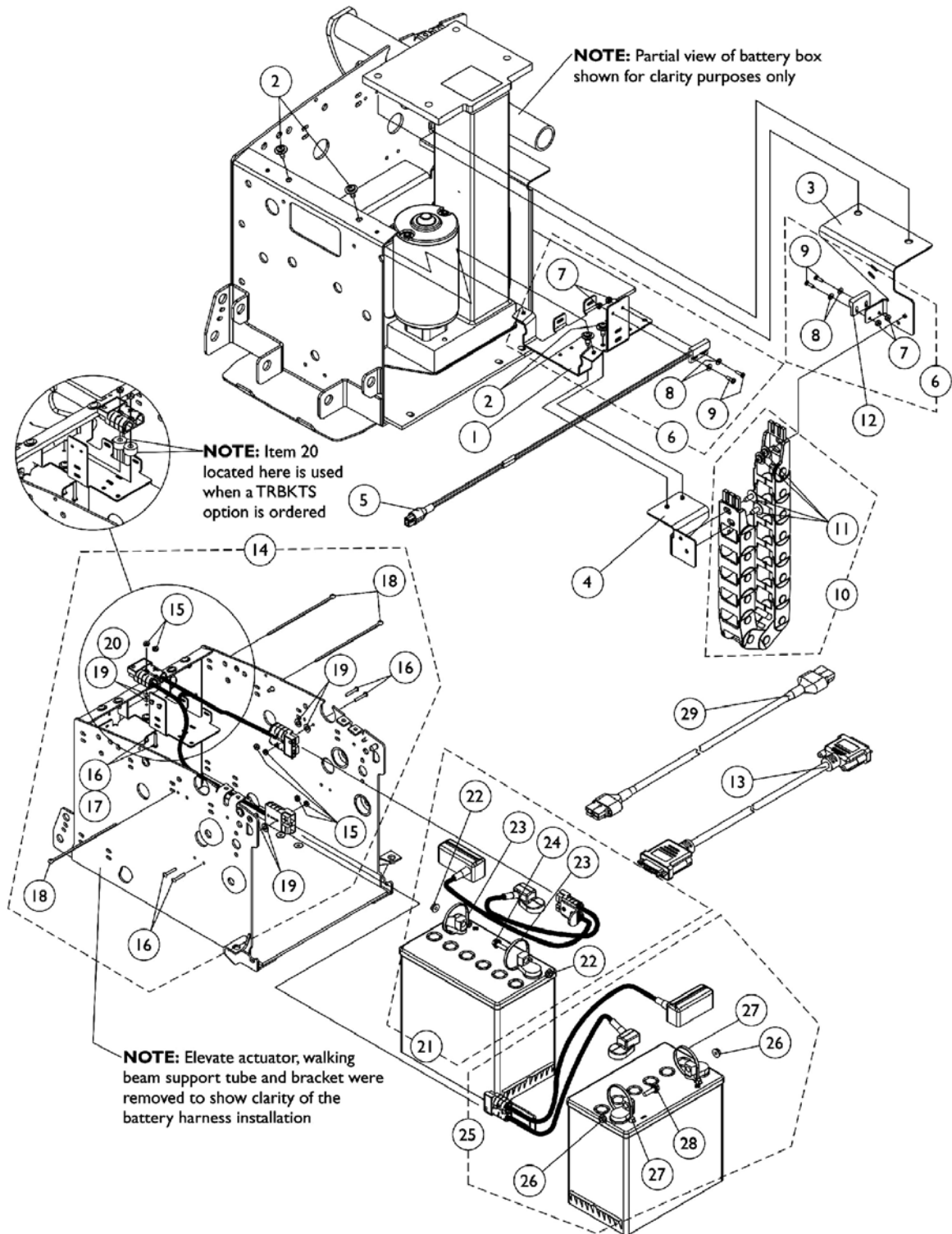


Battery Tray Assembly and Wire Harnesses For Vent Tray (3) 22NF Batteries

Item Number	Note	Part Number	Description	Quantity Per	
				Package	Assembly
1	A,B	1120363	Battery Wire Harness with Terminal Hardware, 22NF - Rear	1	1
2	A,B	1120362	Battery Wire Harness with Terminal Hardware, 22NF - Front	1	1
3	A,B	1121143	Harness, Battery Wire with Terminal Hardware, 22NF Vent	1	1
4		16721X000	Locknut (1/4-20)	1	6
5		1095502-NLA	NLA - Package, Tie Wrap (11-1/2" L)	10	1
6		1096799-NLA	NLA - Screw, Hex Flange Whiz Lock (1/4-20 x 7/8")	1	4
7		1121124-NLA	NLA - Battery Strap Assembly, 22NF and GP24	1	2
8		1121125-NLA	NLA - Battery Strap Assembly For Vent, 22NF	1	1
9		1117186-NLA	NLA - Bracket, Battery Tray Stop, Black	1	1
10		90017X000	Screw, Phillips Pan Head (#10-32 x 5/16")	1	2
11	C	1121142-NLA	NLA - Battery Tray Assembly, TDX 22NF For Vent	1	1
12	D	1121029-NLA	NLA - Kit, Vent Battery Harness Assembly with Hardware	1	1
13			Harness, Vent Battery	1	1
14			NLA - Harness, Vent Battery Extension	1	1
15			Screw, Phillips Pan Head (#8-16 x 5/8")	1	2
16			Tie Wrap (5-5/8" L)	1	4
17			NLA - Grommet, Rubber	1	1
12	D	1139531	Kit, Vent Battery Harness Assembly with Hardware For TRBKTS Option	1	1
13			Harness, Vent Battery	1	1
14			Harness, Vent Battery Extension, TRBKTS Option	1	1
15			Screw, Phillips Pan Head (#8-16 x 5/8")	1	2
16			Tie Wrap (5-5/8" L)	1	4
17			NLA - Grommet, Rubber For TRBKTS Option	1	1
16		1095503	Package, Tie Wrap (5-5/8" L)	10	1
17		1055747-NLA	NLA - Grommet, Rubber	1	1
17		1137236-NLA	NLA - Grommet, Rubber For TRBKTS Option	1	1

NOTE: A - Individual components are not available for the battery wire harnesses
B - Includes items 4-6
C - Includes items 7-10
D - Includes items 13-17

Battery Wire Harnesses, Sensor Proximity Switch, Extension Cables and Energy Chain For All Elevate Systems



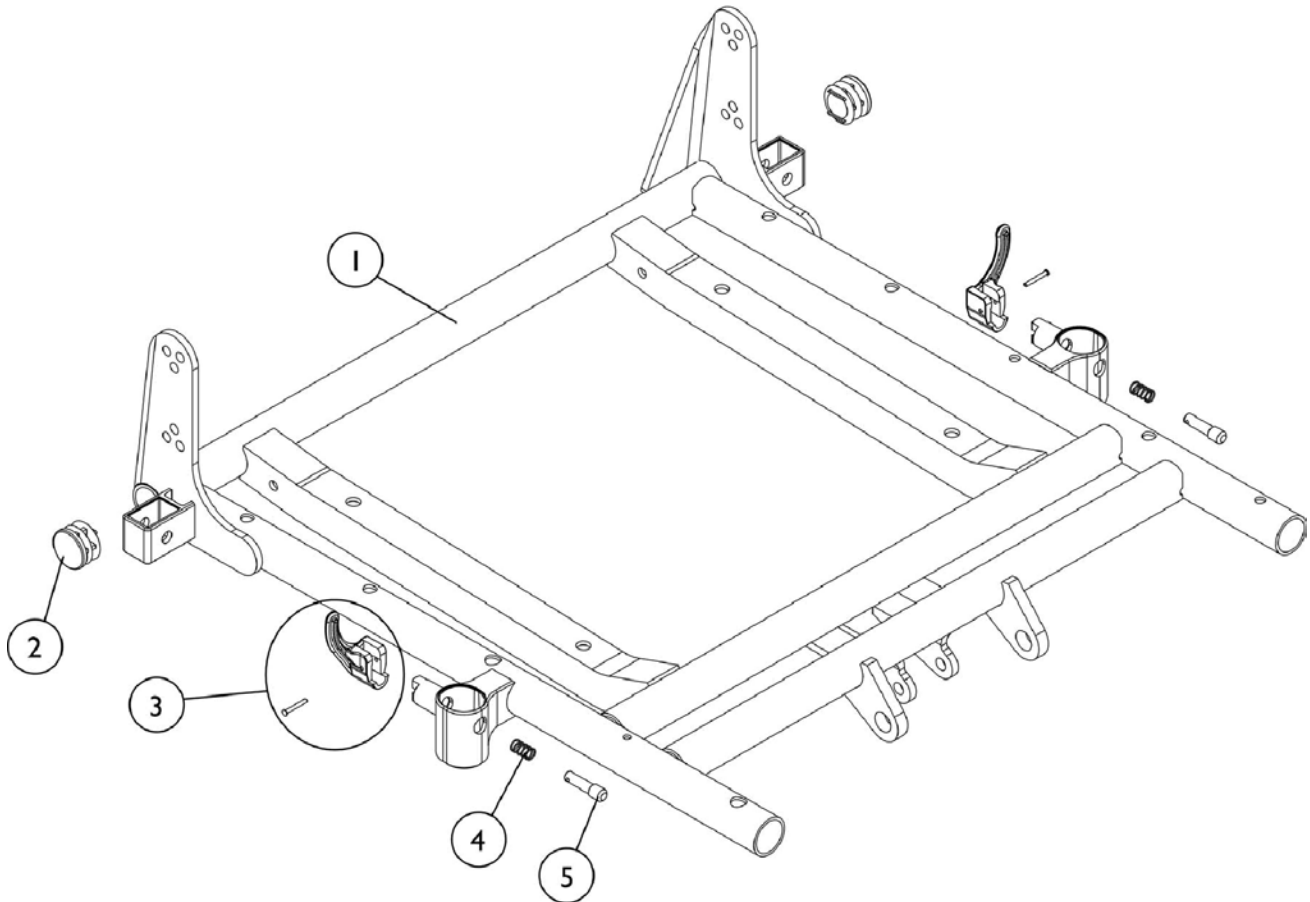
Battery Wire Harnesses, Sensor Proximity Switch, Extension Cables and Energy Chain For All Elevate Systems

Item Number	Note	Part Number	Description	Quantity Per	
				Package	Assembly
1		1124657-NLA	NLA - Bracket, Wire Harness Mounting, Black	1	1
2		1114308	Screw, Phillips Pan Head Tap (#10-32 x 1/2")	1	4
3		1124654-NLA	NLA - Bracket, Upper Energy Chain Mounting, Black	1	1
4		1124655-NLA	NLA - Bracket, Lower Energy Chain Mounting, Black	1	1
5		1122586	Sensor, Proximity Switch (30 1/4" L)	1	1
6	A	1125742	NLA - Kit, Sensor Proximity/Actuator Switch Mounting Hardware	1	1
7			Nut, Hex Keps (#4-40)	1	2
8			NLA - Washer, Plain (1/8 x 5/16 x 1/32")	1	2
9			NLA - Screw, Phillips Pan Head (#4-40 x 3/8")	1	2
10	F	1125745	Kit, Energy Chain with Mounting Hardware	1	1
11			Screw, Phillips Pan Head Tap (#10-32 x 1/2")	1	2
12		1024001	Sensor, Actuator Switch	1	1
13		1123277-NLA	NLA - Cable, Joystick Extension (48")	1	1
14	B	1125743-NLA	Kit, Battery Harness with Mounting Hardware, Elevate	1	1
15			Nut, Keps (#6-32)	1	6
16			NLA - Screw, Phillips Pan Head (#6-32 x 7/8")	1	6
18			Tie Wrap (5-5/8" L)	1	3
19			Washer (1/4 x 1/2 x 1/16")	1	4
14	C	1141968	NLA - Kit, Battery Harness with Mounting Hardware, Elevate with TRBKTS option	1	1
15			Nut, Keps (#6-32)	1	6
16			NLA - Screw, Phillips Pan Head (#6-32 x 7/8")	1	4
17			Screw, Phillips Pan Head (#6-32 x 1-1/8")	1	2
18			Tie Wrap (5-5/8" L)	1	3
19			Washer (1/4 x 1/2 x 1/16")	1	4
20			Spacer (1/4 x 5/8 x 3/8")	1	2
21	D	See Note	See Footnote	1	1
22		16721X000	Locknut (1/4-20)	1	2
23		1095502-NLA	NLA - Package, Tie Wrap (11-1/2" L)	10	1
24		1096799-NLA	NLA - Screw, Hex Flange Whiz Lock (1/4-20 x 7/8")	1	1
25	E	1125741-NLA	NLA - Kit, Front Battery Harness with Terminal Hardware	1	1
26			Locknut (1/4-20)	1	2
27			Tie Wrap (11-1/2" L)	1	4
28			NLA - Screw, Hex Flange Whiz Lock (1/4-20 x 7/8")	1	2
29		1126173	Harness, Elevate Actuator Extension	1	1

Battery Wire Harnesses, Sensor Proximity Switch, Extension Cables and Energy Chain For All Elevate Systems

NOTE: A - Includes items 7-9
B - Includes the Battery Harness and items 15, 16, 18 and 19
C - Includes the Battery harness and items 15-20
D - Rear Battery Harness Kit that included the Rear Battery Harness is no longer available as a service part.
E - Includes the Front Battery Harness and items 26-28
F - Includes the Energy Chain and item 11

Seat Frame and Hardware (16"-22" Wide) Elevate Only For ASBA Seating (Before 7/5/05)



#1 Seat Frame with Hardware

Chair Width	16"-17" Deep	18" - 19" Deep	20" - 21" Deep	22" Deep
16" Wide	1118313-NLA	1118322-NLA	1118331-NLA	1118340-NLA
17" Wide	1118314-NLA	1118323-NLA	1118332-NLA	1118341-NLA
18" Wide	1118315-NLA	1118324-NLA	1118333-NLA	1118342-NLA
19" Wide	1118316-NLA	1118325-NLA	1118334-NLA	1118343-NLA
20" Wide	1118317-NLA	1118326-NLA	1118335-NLA	1118344-NLA
21" Wide	1118318-NLA	1118327-NLA	1118336-NLA	1118345-NLA
22" Wide	1118319-NLA	1118328-NLA	1118337-NLA	1118346-NLA

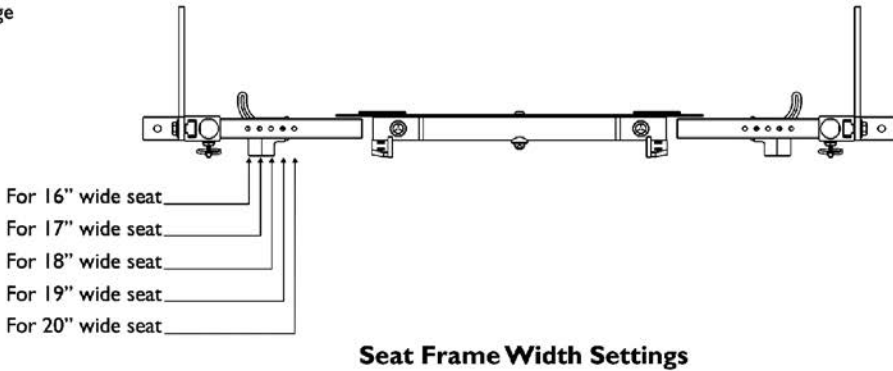
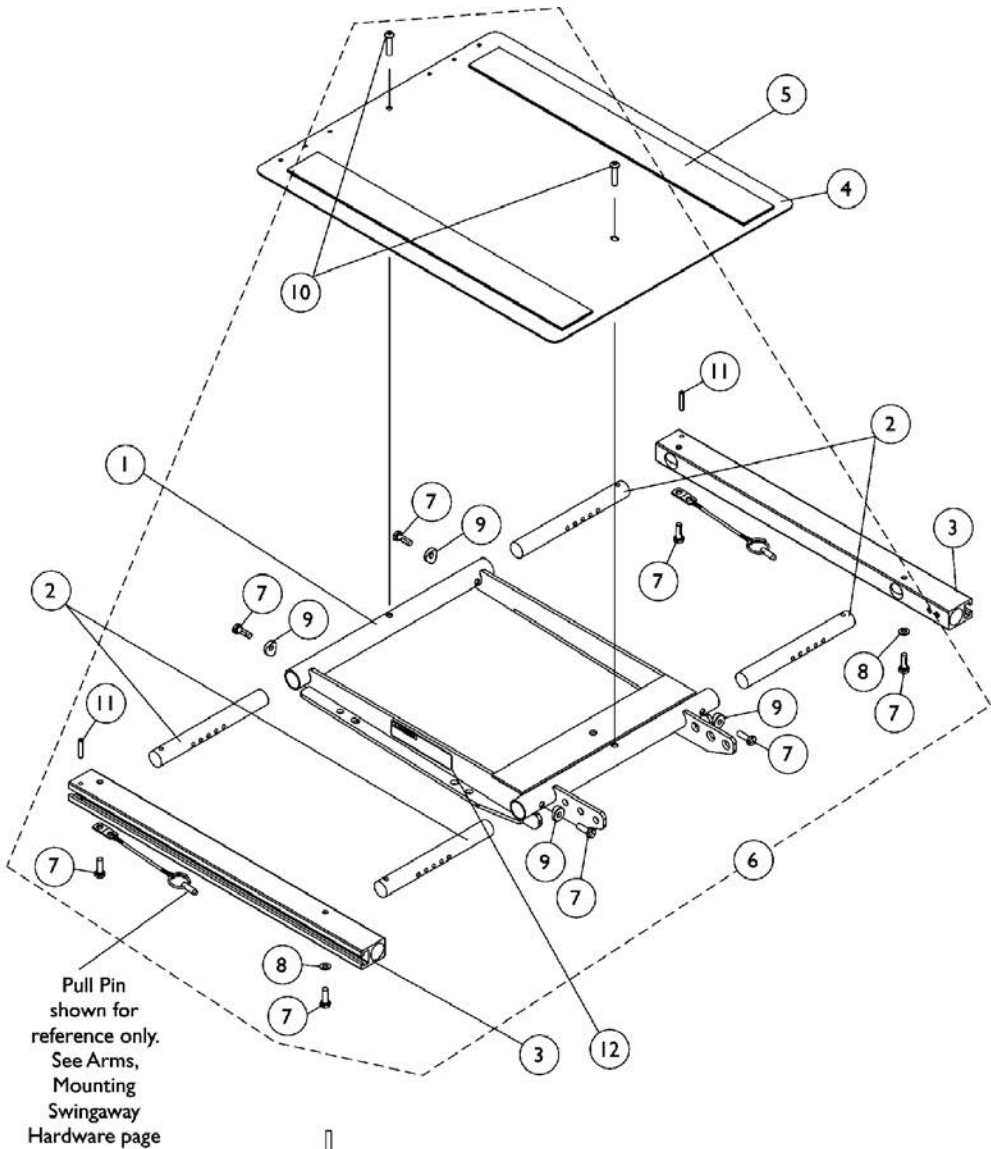
NOTE: Seat frame includes items 2-5

Seat Frame and Hardware
(16"-22" Wide)
Elevate Only For ASBA Seating (Before 7/5/05)

Item Number	Note	Part Number	Description	Quantity Per	
				Package	Assembly
1		See Chart	#1 Seat Frame with Hardware	1	1
2		1029501	Plug Button, Black (1")	1	2
3		1090768	Kit, Lock Handle w/Rivets (Pair)	2	1
4		47471X074	Spring, Arm Lock	1	2
5		1028594	Pin, Arm Lock, Black	1	2

ADJASBA Seat Frame, Seat Pan and Hardware

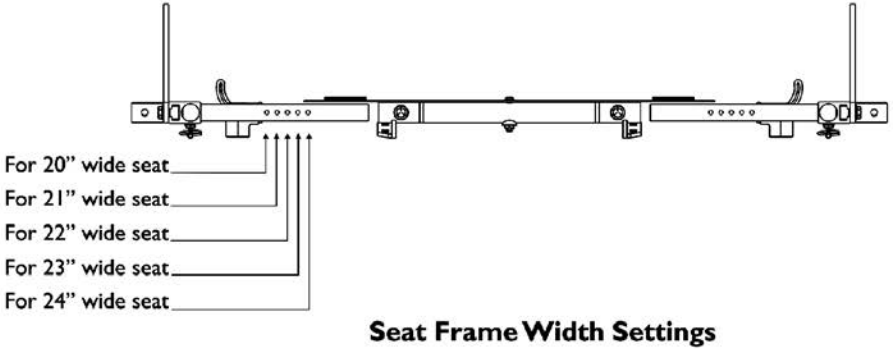
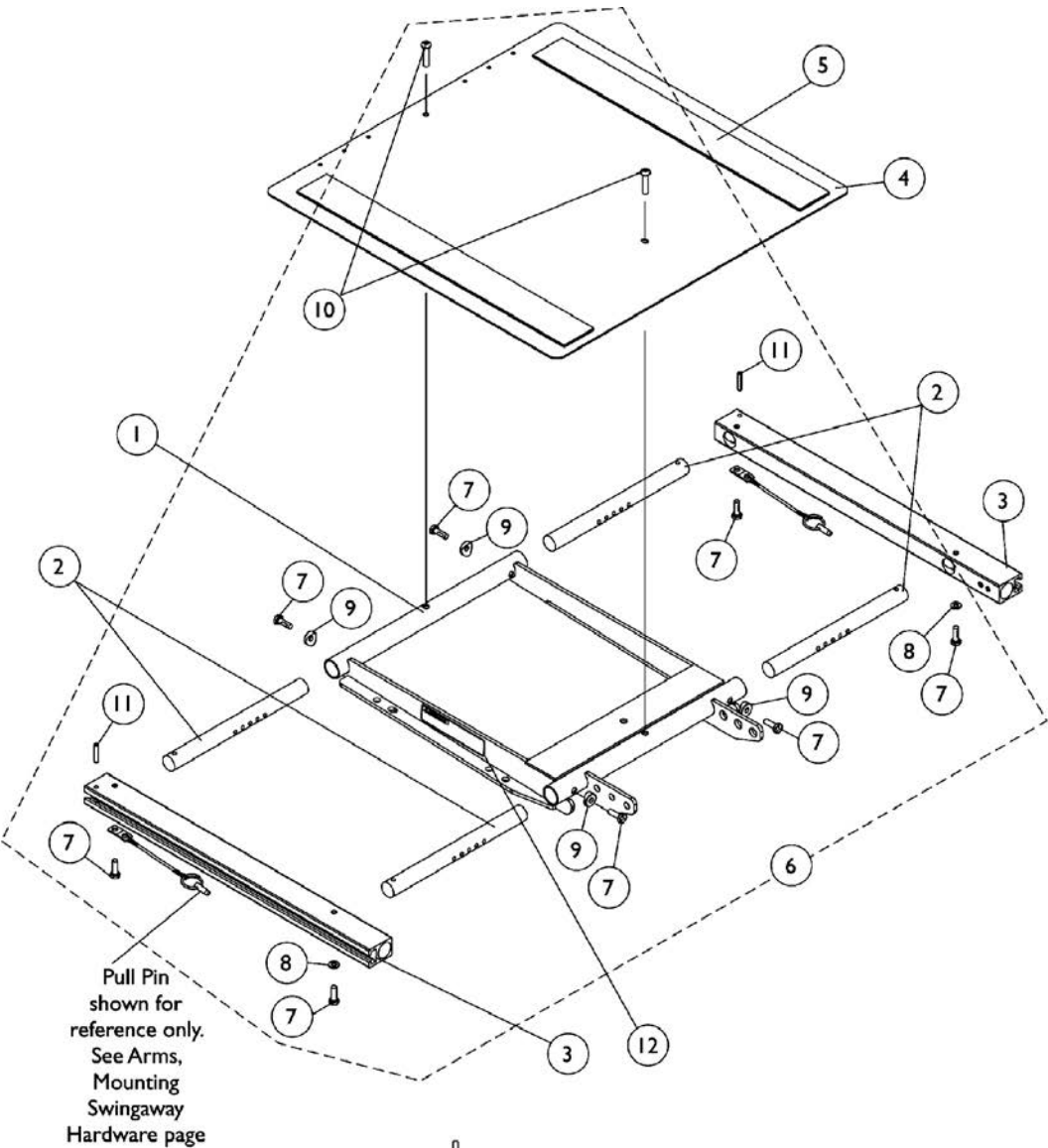
(16"-20" Wide) x (16"-22" Deep) After 7/4/05



ADJASBA Seat Frame, Seat Pan and Hardware (16"-20" Wide) x (16"-22" Deep) After 7/4/05

Item Number	Note	Part Number	Description	Quantity Per	
				Package	Assembly
1	D	1120288	Frame, Center Seat, Black	1	1
2		1122475	Crossbar, Seat Frame (16" - 20" W)	1	4
3		1122647	Rail, Seat Frame (16 - 20" D For Formula TRE and 16 - 19" D For ADJASBA)	1	2
3		1122677	Rail, Seat Frame (20 - 22" D Formula TRE) (19 - 22" D ADJASBA)	1	2
4		1124386	Pan, Seat with Hook and Loop Fasteners (16 - 20" W) x (16 - 20" D For Formula TRE) & (16 - 19" D For ADJASBA)	1	1
4		1124666	Pan, Seat, with Hook and Loop Fasteners (16 - 20" W) x (20 - 22" D For Formula TRE) & (19 - 22" D For ADJASBA)	1	1
5	A	1043082	Hook Fastener with Adhesive Back (2" W x 18" L)	1	2
5	A	1044580	Loop Fastener with Adhesive Back (2" W x 18" L)	1	2
5	B	1043084	Hook Fastener with Adhesive back (2" W x 22" L)	1	2
5	B	1044584	Loop Fastener with Adhesive back (2" W x 22" L)	1	2
6	C	1135501	Kit, Seat Frame Assembly Hardware	1	1
7			Screw, Hex Head w/ Patch (1/4-20 x 3/4")	1	8
8			Washer (1/4 x 1/2 x 1/16")	1	2
9			Spacer, Coved (1/4 x 11/16 x 1/2")	1	4
10			Screw, Socket Button (1/4-20 x 3/4")	1	2
11			Pin, Roll (3/16 x 1")	1	2
12		1114823	Decal, Seat Adjustment Warning	1	2
NOTE: A - For 16"-19" deep seats B - For 19"-22" deep seats C - Includes items 7-11 D - When ordering Center Seat Frame (item 1), also order 2 ea. Seat Adjustment Warning Decal (item 12).					

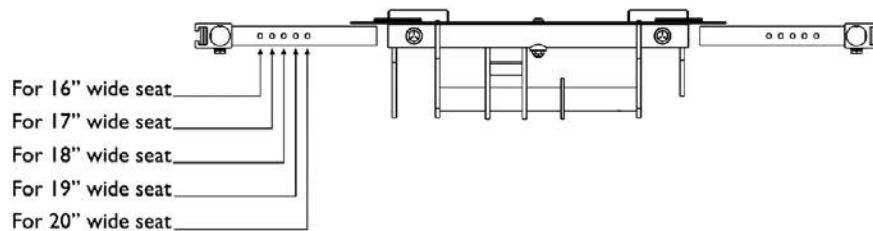
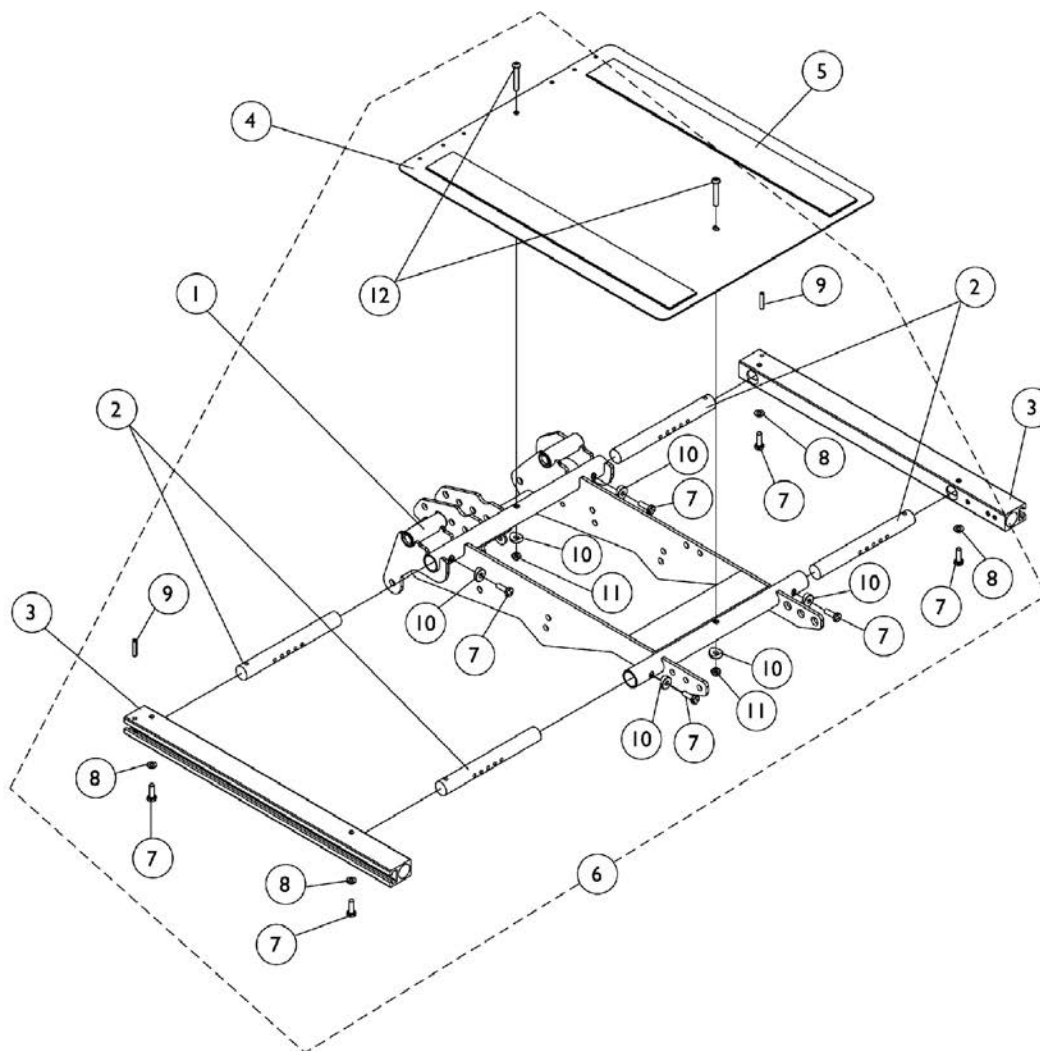
ADJASBA Seat Frame, Seat Pan and Hardware (20"-22" Wide) x (16"-22" Deep) After 7/4/05



ADJASBA Seat Frame, Seat Pan and Hardware (20"-22" Wide) x (16"-22" Deep) After 7/4/05

Item Number	Note	Part Number	Description	Quantity Per	
				Package	Assembly
1	D	1120288	Frame, Center Seat, Black	1	1
2		1120283	Crossbar, Seat Frame (20" - 24" W)	1	4
3		1122647	Rail, Seat Frame (16 - 20" D For Formula TRE and 16 - 19" D For ADJASBA)	1	2
3		1122677	Rail, Seat Frame (20 - 22" D Formula TRE) (19 - 22" D ADJASBA)	1	2
4		1124388	Pan, Seat, with Hook and Loop Fasteners (20 - 24" W) x (16 - 20" D For Formula TRE) & (16 - 19" D For ADJASBA)	1	1
4		1124667	Pan, Seat with Hook and Loop Fasteners (20 - 24" W) x (20 - 22" D For Formula TRE) & (19 - 22" D For ADJASBA)	1	1
5	A	1043082	Hook Fastener with Adhesive Back (2" W x 18" L)	1	2
5	A	1044580	Loop Fastener with Adhesive Back (2" W x 18" L)	1	2
5	B	1043084	Hook Fastener with Adhesive back (2" W x 22" L)	1	2
5	B	1044584	Loop Fastener with Adhesive back (2" W x 22" L)	1	2
6	C	1135501	Kit, Seat Frame Assembly Hardware	1	1
7			Screw, Hex Head w/ Patch (1/4-20 x 3/4")	1	8
8			Washer (1/4 x 1/2 x 1/16")	1	2
9			Spacer, Coved (1/4 x 11/16 x 1/2")	1	4
10			Screw, Socket Button (1/4-20 x 3/4")	1	2
11			Pin, Roll (3/16 x 1")	1	2
12		1114823	Decal, Seat Adjustment Warning	1	2
NOTE: A - For 16"-19" deep seats B - For 19"-22" deep seats C - Includes items 7-11 D - When ordering Center Seat Frame (item 1), also order 2 ea. Seat Adjustment Warning Decal (item 12).					

Seat Frame, Seat Pan and Hardware (16"-20" Wide x 16"-22" Deep Conventional) and (16", 18", 20" Wide x 16"-22" Deep Contoura) Seating

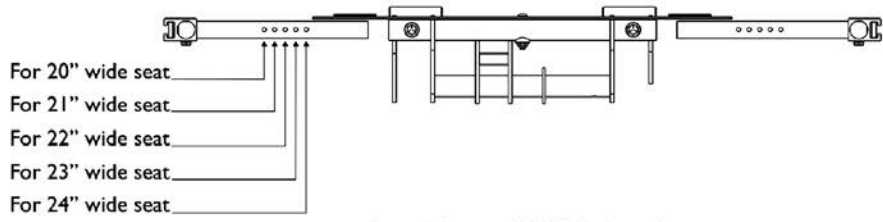
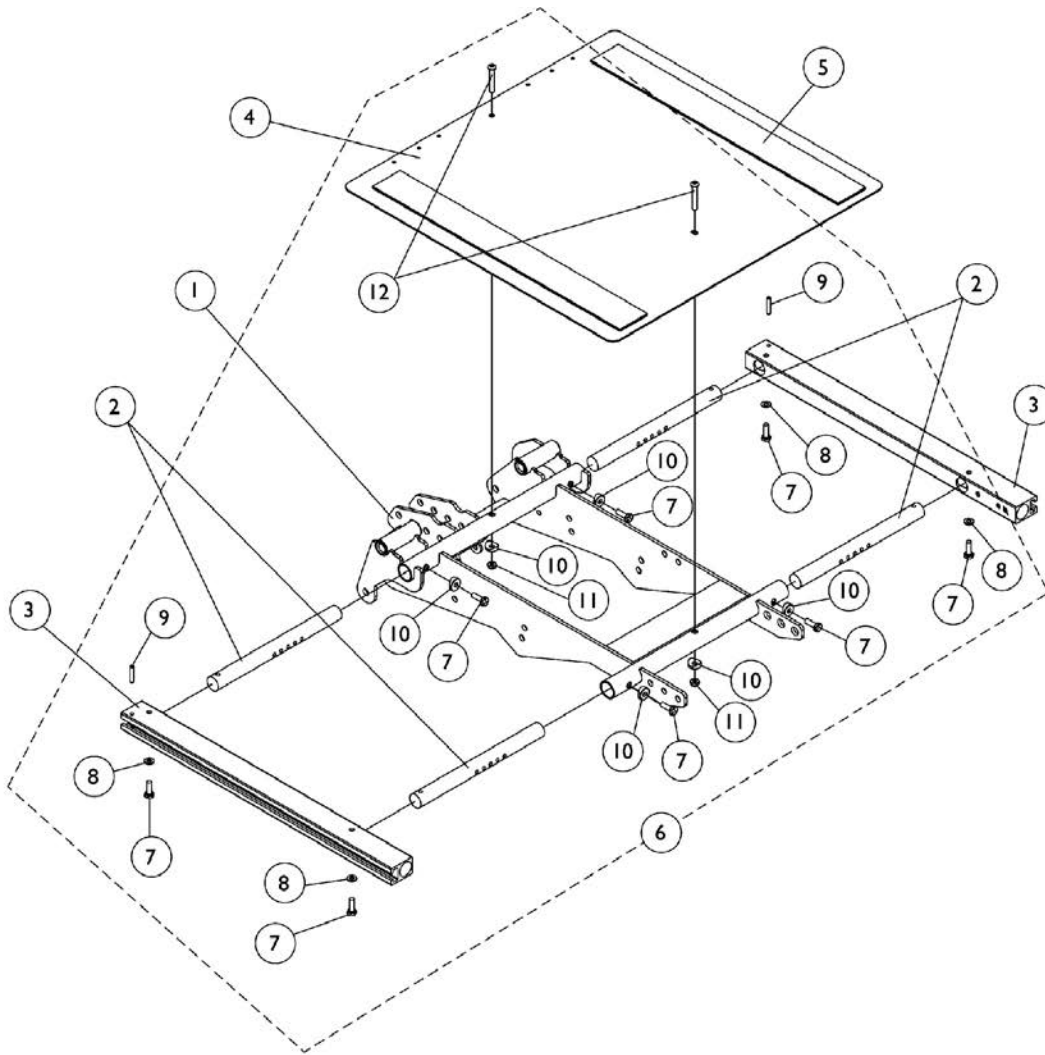


Seat Frame Width Settings

Seat Frame, Seat Pan and Hardware (16"-20" Wide x 16"-22" Deep Conventional) and (16", 18", 20" Wide x 16"-22" Deep Contoura) Seating

Item Number	Note	Part Number	Description	Quantity Per	
				Package	Assembly
1		1122676	Frame, Center Seat, Black For Conventional and Contoura Seating	1	1
2		1122475	Crossbar, Seat Frame (16" - 20" W)	1	4
3	A	1122647	Rail, Seat Frame (16 - 20" D For Formula TRE and 16 - 19" D For ADJASBA)	1	2
3	B	1122677	Rail, Seat Frame (20 - 22" D Formula TRE) (19 - 22" D ADJASBA)	1	2
4	A	1124386	Pan, Seat with Hook and Loop Fasteners (16 - 20" W) x (16 - 20" D For Formula TRE) & (16 - 19" D For ADJASBA)	1	1
4	B	1124666	Pan, Seat, with Hook and Loop Fasteners (16 - 20" W) x (20 - 22" D For Formula TRE) & (19 - 22" D For ADJASBA)	1	1
5	A	1043082	Hook Fastener with Adhesive Back (2" W x 18" L)	1	2
5	A	1044580	Loop Fastener with Adhesive Back (2" W x 18" L)	1	2
5	B	1043084	Hook Fastener with Adhesive back (2" W x 22" L)	1	2
5	B	1044584	Loop Fastener with Adhesive back (2" W x 22" L)	1	2
6	D,E	1125737	Kit, Seat Frame Assembly Hardware	1	1
7			Screw, Hex Head w/ Patch (1/4-20 x 3/4")	1	8
8			Washer (1/4 x 1/2 x 1/16")	1	4
9			Pin, Roll (3/16 x 1")	1	2
10			Spacer, Coved (1/4 x 11/16 x 1/2")	1	6
11			Locknut (1/4-20)	1	2
12			Screw, Socket Button Head (1/4-20 x 1-1/2")	1	2
12			Screw, Socket Button (1/4-20 x 3/4")	1	2
<p>NOTE: A - For 16"-20" deep Conventional and 16"-18" deep Contoura Seating B - For 20"-22" deep Conventional and 19"-21" deep Contoura Seating D - Includes items 7-12 E - After 7/4/05 Threaded Inserts were added to the Center Seat Frame. Items 10 and 11 were no longer needed for item 12 screw. Item 12 was shortened to 3/4" long.</p>					

Seat Frame, Seat Pan and Hardware (20"-24" Wide x 16"-22" Deep Conventional) and (20", 22", 24" Wide x 16"-22" Deep Contoura) Seating



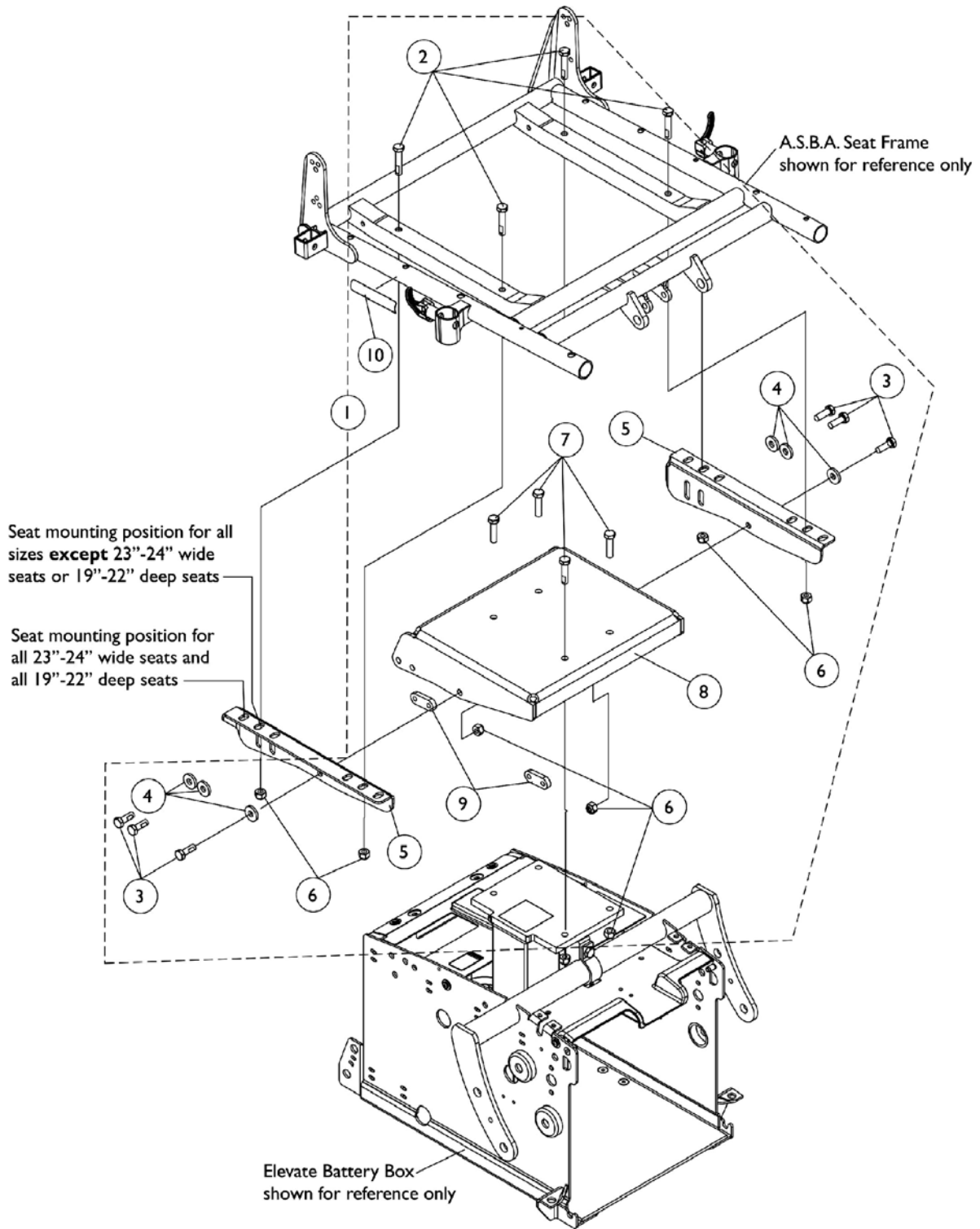
Seat Frame Width Settings

Seat Frame, Seat Pan and Hardware (20"-24" Wide x 16"-22" Deep Conventional) and (20", 22", 24" Wide x 16"-22" Deep Contoura) Seating

Item Number	Note	Part Number	Description	Quantity Per	
				Package	Assembly
1		1122676	Frame, Center Seat, Black For Conventional and Contoura Seating	1	1
2		1120283	Crossbar, Seat Frame (20" - 24" W)	1	4
3	A	1122647	Rail, Seat Frame (16 - 20" D For Formula TRE and 16 - 19" D For ADJASBA)	1	2
3	B	1122677	Rail, Seat Frame (20 - 22" D Formula TRE) (19 - 22" D ADJASBA)	1	2
3	C	1131445-NLA	NLA - Rail, Seat Frame (22" D)	1	2
4	A	1124388	Pan, Seat, with Hook and Loop Fasteners (20 - 24" W) x (16 - 20" D For Formula TRE) & (16 - 19" D For ADJASBA)	1	1
4	B	1124667	Pan, Seat with Hook and Loop Fasteners (20 - 24" W) x (20 - 22" D For Formula TRE) & (19 - 22" D For ADJASBA)	1	1
4	C	1131448-NLA	NLA - Pan, Seat, with Hook and Loop Fasteners (20 - 24" W x 22" D)	1	1
5	A	1043082	Hook Fastener with Adhesive Back (2" W x 18" L)	1	2
5	A	1044580	Loop Fastener with Adhesive Back (2" W x 18" L)	1	2
5	B,C	1043084	Hook Fastener with Adhesive back (2" W x 22" L)	1	2
5	B,C	1044584	Loop Fastener with Adhesive back (2" W x 22" L)	1	2
6	D,E	1125737	Kit, Seat Frame Assembly Hardware	1	1
7			Screw, Hex Head w/ Patch (1/4-20 x 3/4")	1	8
8			Washer (1/4 x 1/2 x 1/16")	1	4
9			Pin, Roll (3/16 x 1")	1	2
10			Spacer, Coved (1/4 x 11/16 x 1/2")	1	6
11			Locknut (1/4-20)	1	2
12			Screw, Socket Button Head (1/4-20 x 1-1/2")	1	2
12			Screw, Socket Button (1/4-20 x 3/4")	1	2
<p>NOTE: A - For 16"-20" deep Conventional and 16"-18" deep Contoura Seating B - For 20"-22" deep Conventional and 19"-21" deep Contoura Seating C - 22" deep Contoura Seating D - Includes items 7-12 E - After 7/4/05 Threaded Inserts were added to the Center Seat Frame. Items 10 and 11 were no longer needed for item 12 screw. Item 12 was shortened to 3/4" long.</p>					

Seat Frame Mounting Hardware

Elevate Only For ASBA Seating (Before 7/5/05)



Seat Frame Mounting Hardware

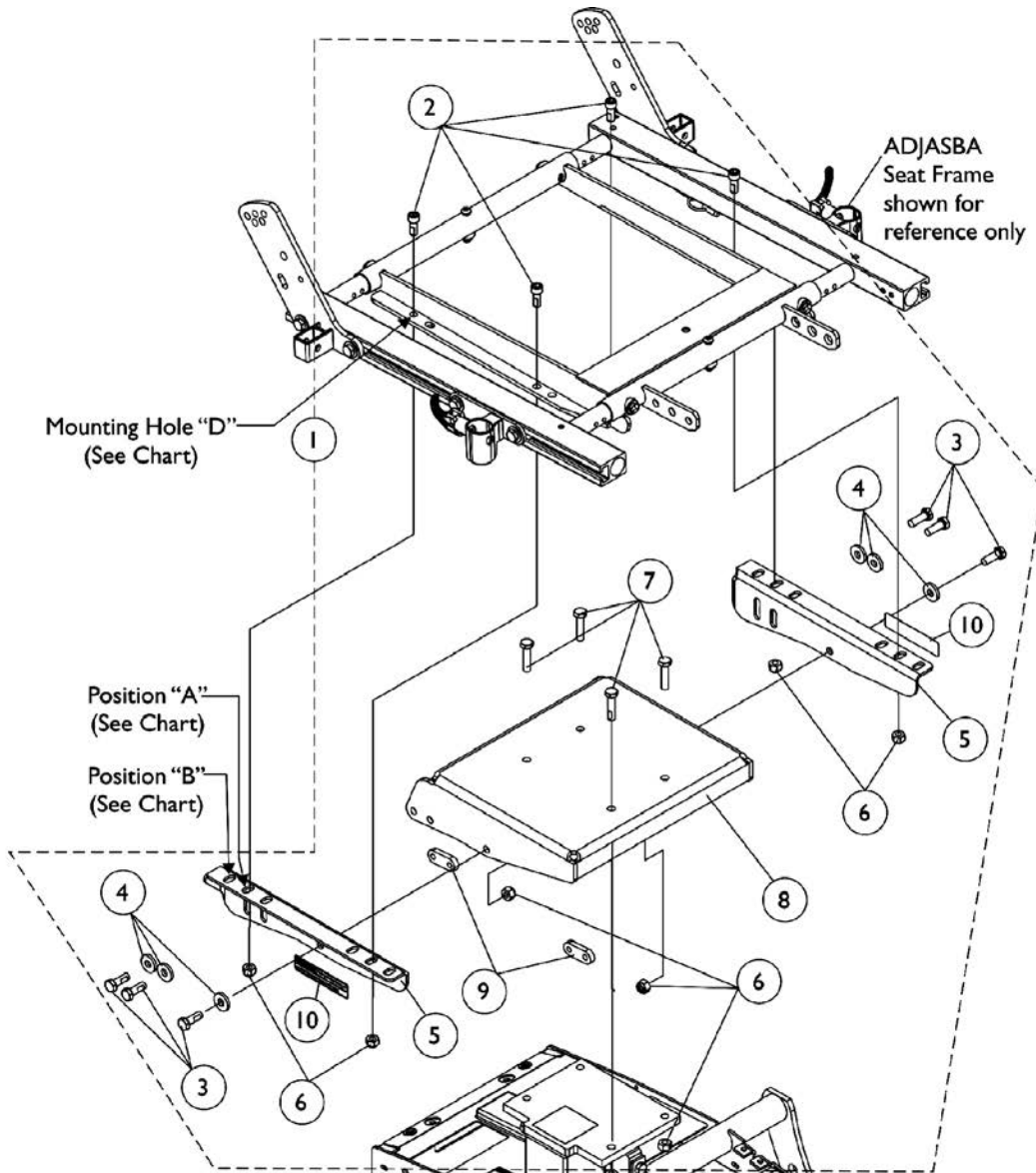
Elevate Only For ASBA Seating (Before 7/5/05)

Item Number	Note	Part Number	Description	Quantity Per	
				Package	Assembly
1	A	1125777-NLA	Kit, A.S.B.A. Seat Frame Mounting Hardware	1	1
2			NLA - Screw, Hex Head w/ Patch (5/16-18 x 1-1/2")	1	4
3			NLA - Screw, Hex Head w/ Patch (5/16-18 x 7/8")	1	6
4			Washer, Flat (21/64 x 53/64 x 7/64")	1	6
5			NLA - Bracket, Seat Frame Mounting, Black - Right	1	1
5			NLA - Bracket, Seat Frame Mounting, Black - Left	1	1
6			Locknut (5/16-18)	1	10
7			Screw, Hex Head w/ Patch (5/16-18 x 1-1/4")	1	4
8			NLA - Plate, A.S.B.A. Seat Frame Mounting	1	1
9			NLA - Nut, Strap	1	2
10			Decal, Seat Adjustment Warning	1	2

NOTE: A - Includes items 2-10

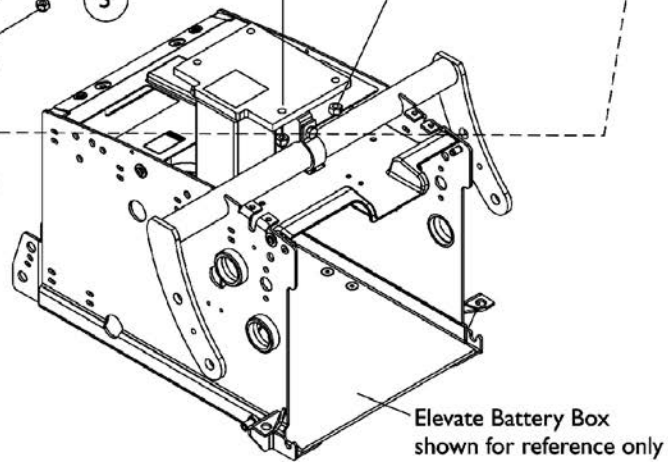
Seat Frame Mounting Hardware

Elevate Only For ADJASBA Seating (After 7/4/05)



Seat Mounting Positioning Chart

Seat Depth	Mounting Holes
16-17"	BD
18-19"	AD
20-22"	BD



Seat Frame Mounting Hardware

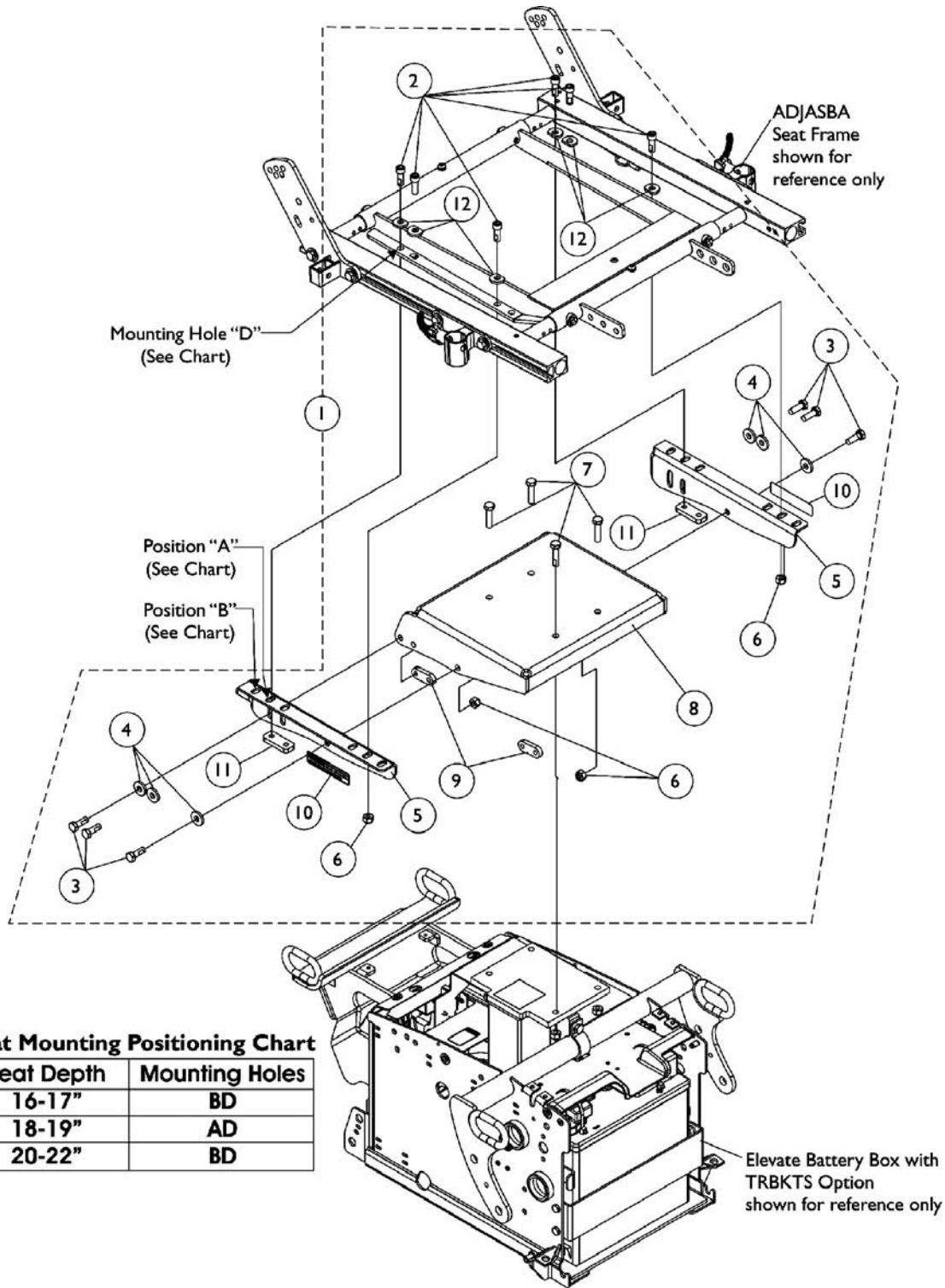
Elevate Only For ADJASBA Seating (After 7/4/05)

Item Number	Note	Part Number	Description	Quantity Per	
				Package	Assembly
1	A	1133804-NLA	Kit, ADJASBA Seat Frame Mounting Hardware	1	1
2			NLA - Screw, Socket Head (5/16-18 x 3/4")	1	4
3			NLA - Screw, Hex Head w/ Patch (5/16-18 x 7/8")	1	6
4			Washer, Flat (21/64 x 53/64 x 7/64")	1	6
5			NLA - Bracket, Seat Frame Mounting, Black - Right	1	1
5			NLA - Bracket, Seat Frame Mounting, Black - Left	1	1
6			Locknut (5/16-18)	1	10
7			Screw, Hex Head w/ Patch (5/16-18 x 1-1/4")	1	4
8			NLA - Plate, A.S.B.A. Seat Frame Mounting	1	1
9			NLA - Nut, Strap	1	2
10			Decal, Seat Adjustment Warning	1	2

NOTE: A - Includes items 2-10

Seat Frame Mounting Hardware

Elevate Only For ADJASBA Seating with TRBKTS Option



Seat Mounting Positioning Chart

Seat Depth	Mounting Holes
16-17"	BD
18-19"	AD
20-22"	BD

Seat Frame Mounting Hardware

Elevate Only For ADJASBA Seating with TRBKTS Option

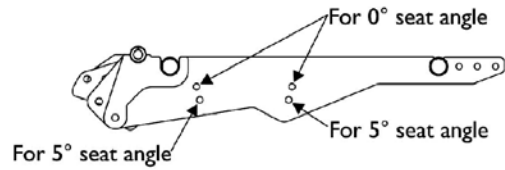
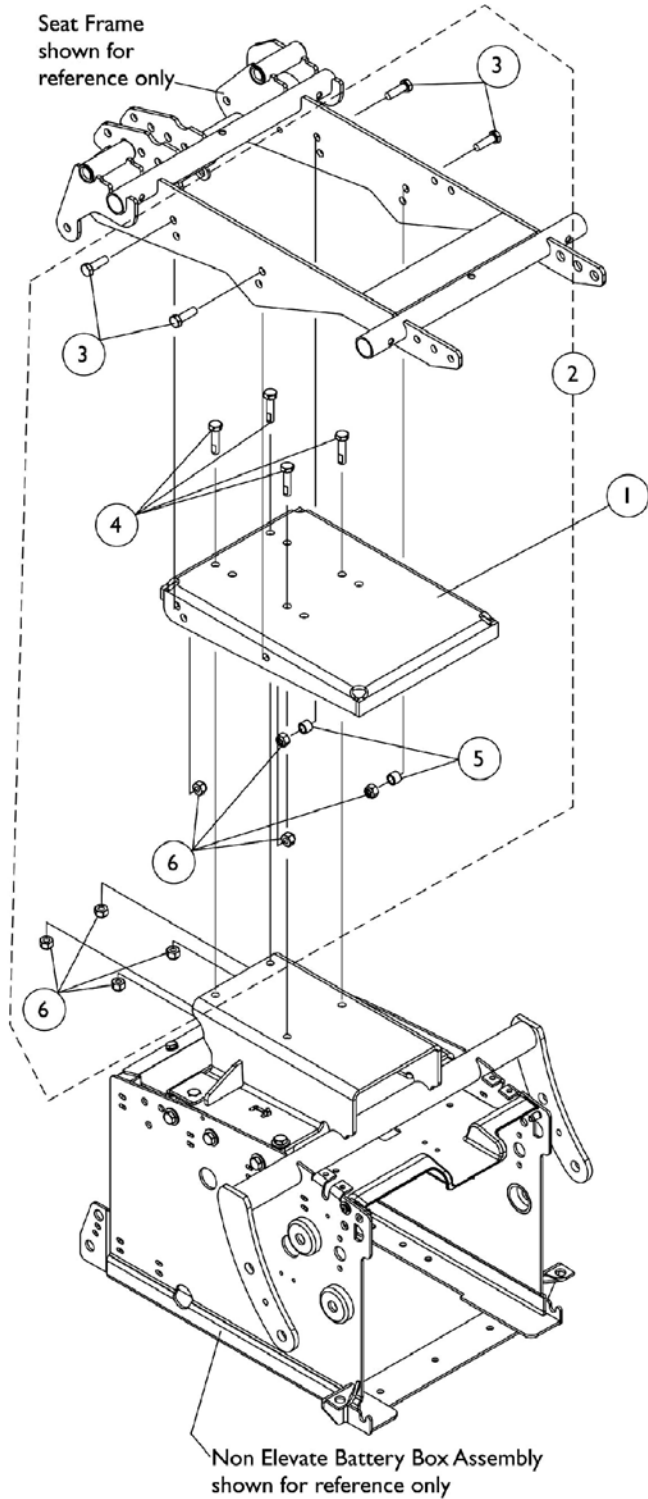
Item Number	Note	Part Number	Description	Quantity Per	
				Package	Assembly
1	A	1134945-NLA	Kit, ADJASBA Seat Frame Mounting Hardware For TRBKTS Option	1	1
2			Screw, Socket Head w/ Patch (5/16-18 x 7/8")	1	6
3			NLA - Screw, Hex Head w/ Patch (5/16-18 x 7/8")	1	6
4			Washer, Flat (21/64 x 53/64 x 7/64")	1	6
5			NLA - Bracket, Seat Frame Mounting, Black - Right	1	1
5			NLA - Bracket, Seat Frame Mounting, Black - Left	1	1
6			Locknut (5/16-18)	1	8
7			Screw, Hex Head w/ Patch (5/16-18 x 1-1/4")	1	4
8			NLA - Plate, A.S.B.A. Seat Frame Mounting	1	1
9			NLA - Nut, Strap	1	2
10			Decal, Seat Adjustment Warning	1	2
11			Plate, Nut (5/16-18)	1	2
12			NLA - Washer, Ground (11/32 x 13/16 x 1/8")	1	6

NOTE: A - Includes items 2-12

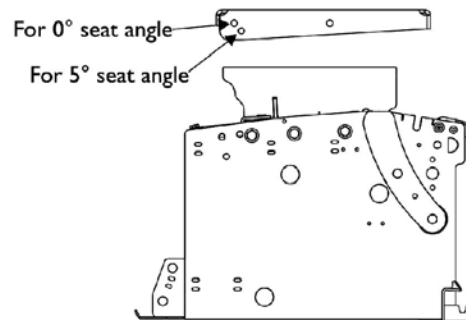
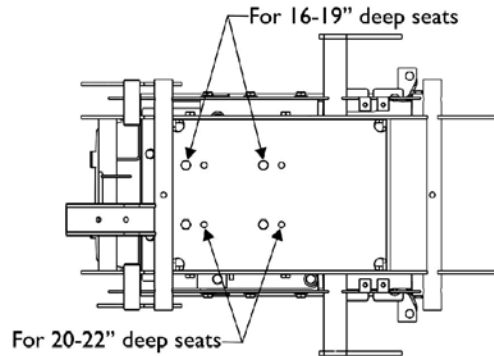
Seat Frame Mounting Hardware

Recline Only

For Conventional and Contoura Seating



Seat Frame Mounting Detail



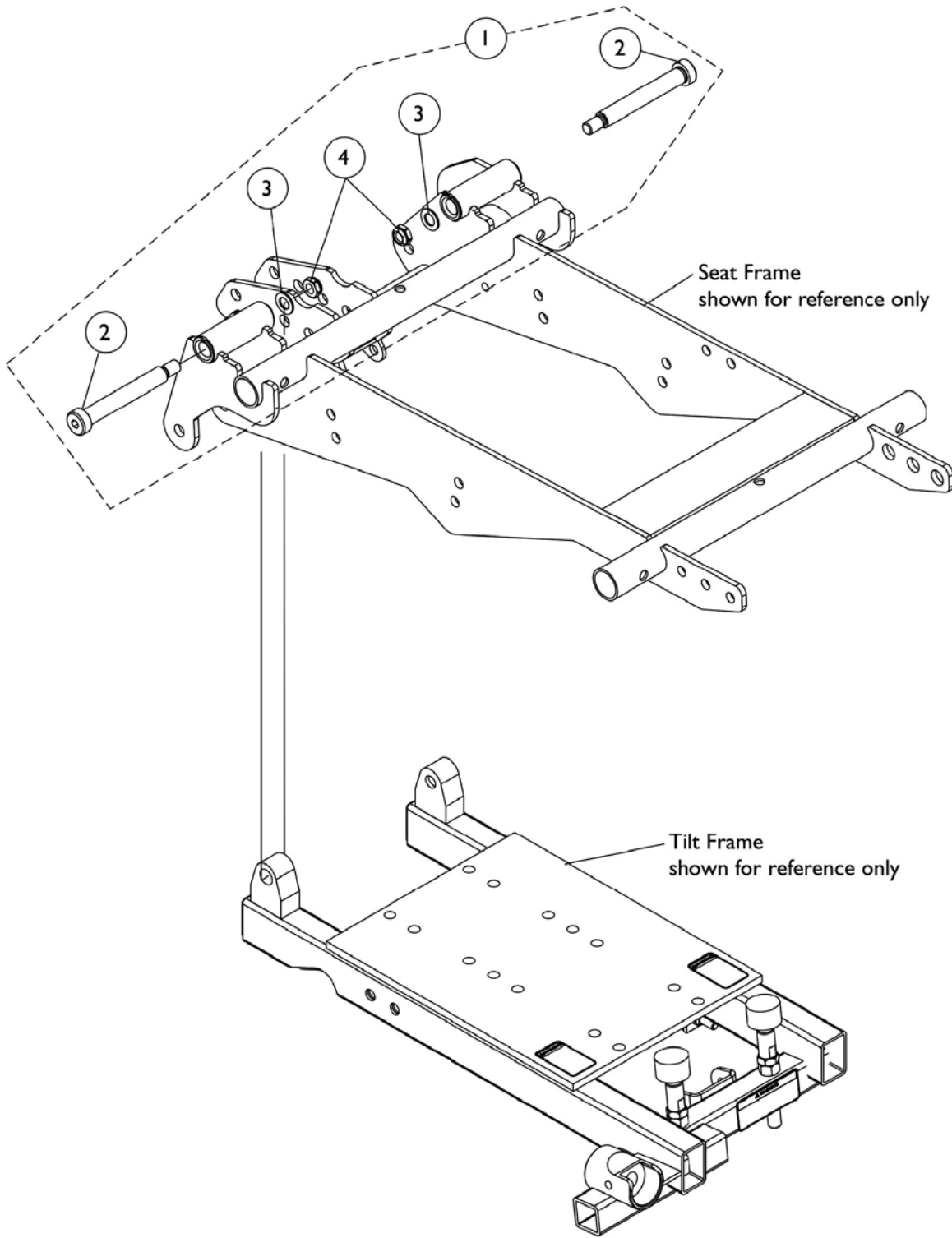
Recline Only Mounting Bracket Detail

Seat Frame Mounting Hardware Recline Only For Conventional and Contoura Seating

Item Number	Note	Part Number	Description	Quantity Per	
				Package	Assembly
1		1125646-NLA	NLA - Plate, Recline Only Seat Frame Mounting	1	1
2	A	1125751	Kit, Seat Frame Mounting Hardware, Recline Only Non-Elevate	1	1
3			Screw, Hex Head (5/16-18 x 1")	1	4
4			Screw, Hex Head w/ Patch (5/16-18 x 1-1/4")	1	4
5			Spacer (5/16 x 7/16 x 3/8")	1	2
6			Locknut (5/16-18)	1	8
NOTE: A - Includes items 3-6					

Seat Frame Mounting Hardware

Tilt or Tilt/Recline For Conventional & Contoura Seating



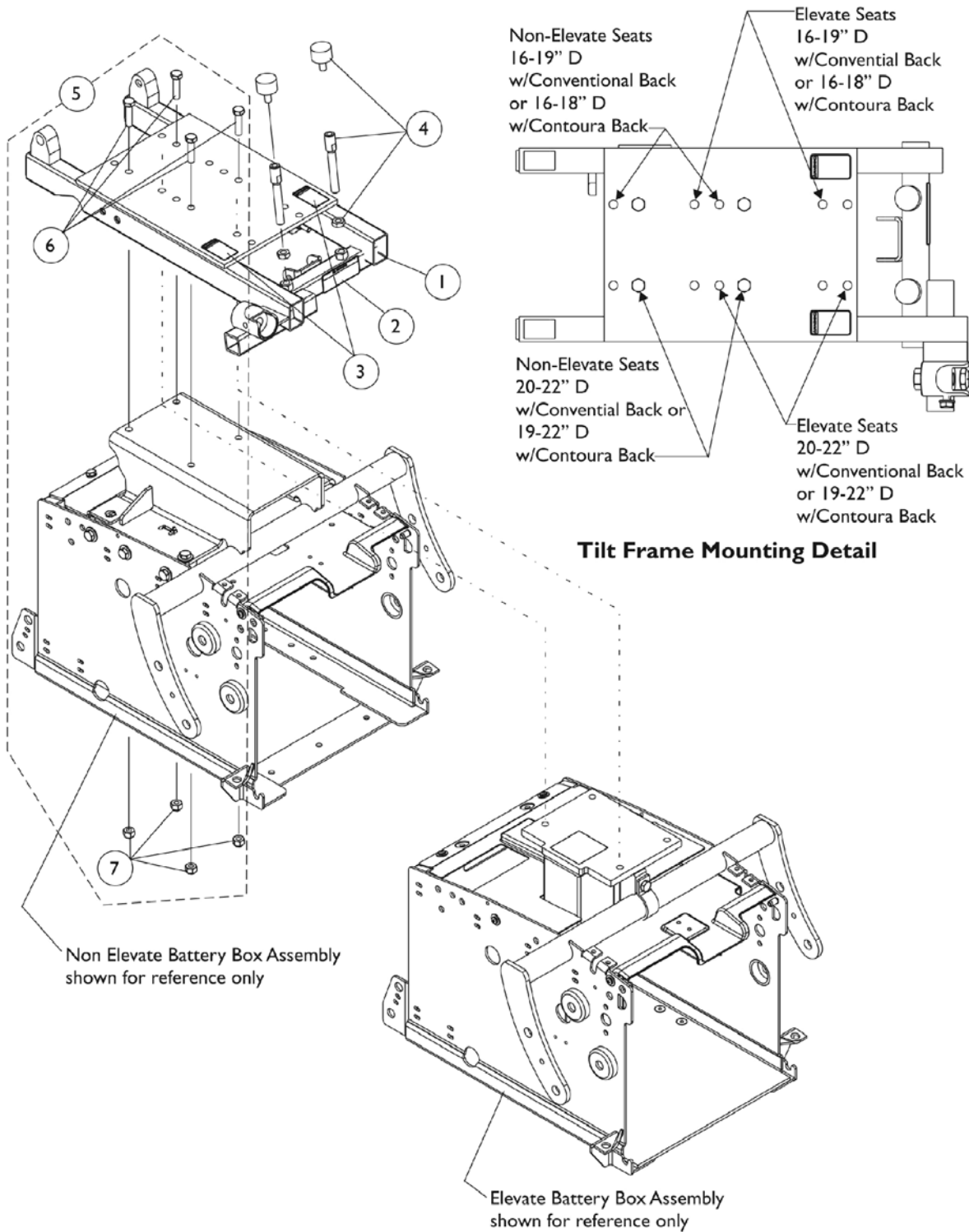
Seat Frame Mounting Hardware

Tilt or Tilt/Recline For Conventional & Contoura Seating

Item Number	Note	Part Number	Description	Quantity Per	
				Package	Assembly
1	A	1125749	NLA - Kit, Seat Frame Mounting Hardware	1	1
2			NLA - Screw, Shoulder Hex Socket Head (1/2 x 3-1/4", 3/8-16)	1	2
3			Washer, Flat (3/8 x 11/16 x 1/16")	1	2
4			Locknut, Low Profile (3/8-16)	1	2

NOTE: A - Includes items 2-4

Tilt Frame and Mounting Hardware

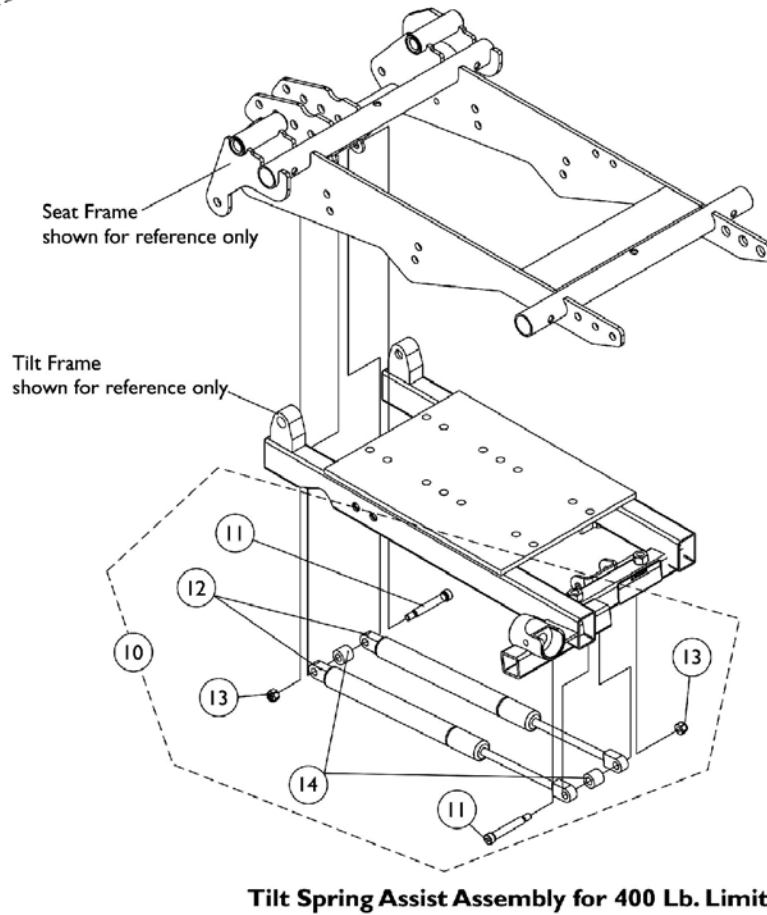
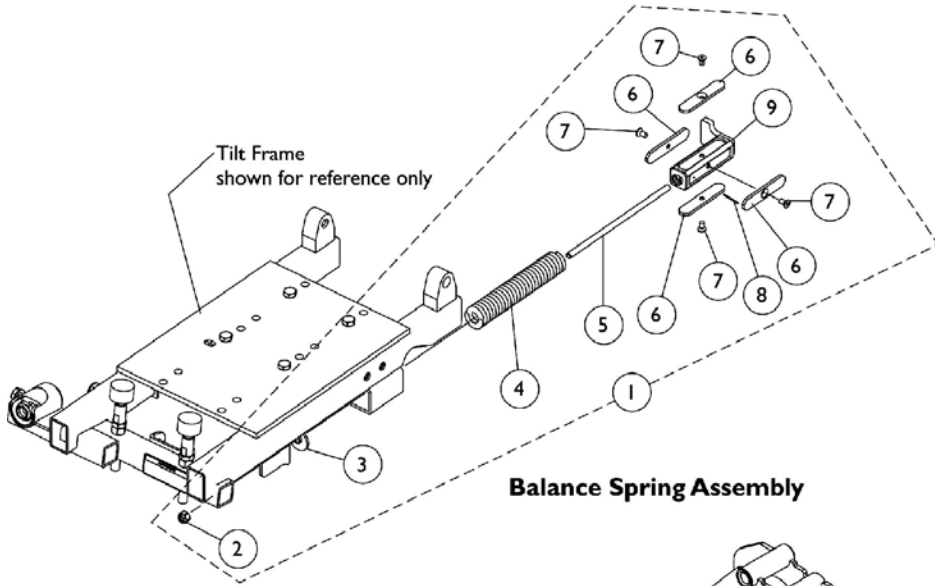


Tilt Frame and Mounting Hardware

Item Number	Note	Part Number	Description	Quantity Per	
				Package	Assembly
1		1122656	Frame with Warning Decals, Tilt, Black	1	1
2		1122598-NLA	NLA - Decal, Warning Actuator/Spring Assist Hardware	1	1
3		1079203	Decal, Warning Pinch Point	1	2
4		1125748-NLA	NLA - Kit, Bumper Assembly	2	1
5	A	1125747	NLA - Kit, Tilt Frame Mounting Hardware	1	1
6			Screw, Hex Head w/ Patch (5/16-18 x 1-1/4")	1	4
7			Locknut (5/16-18)	1	4

NOTE: A - Includes items 6-7

Balance Spring and Tilt Spring Assist Assemblies For Tilt and Tilt/Recline

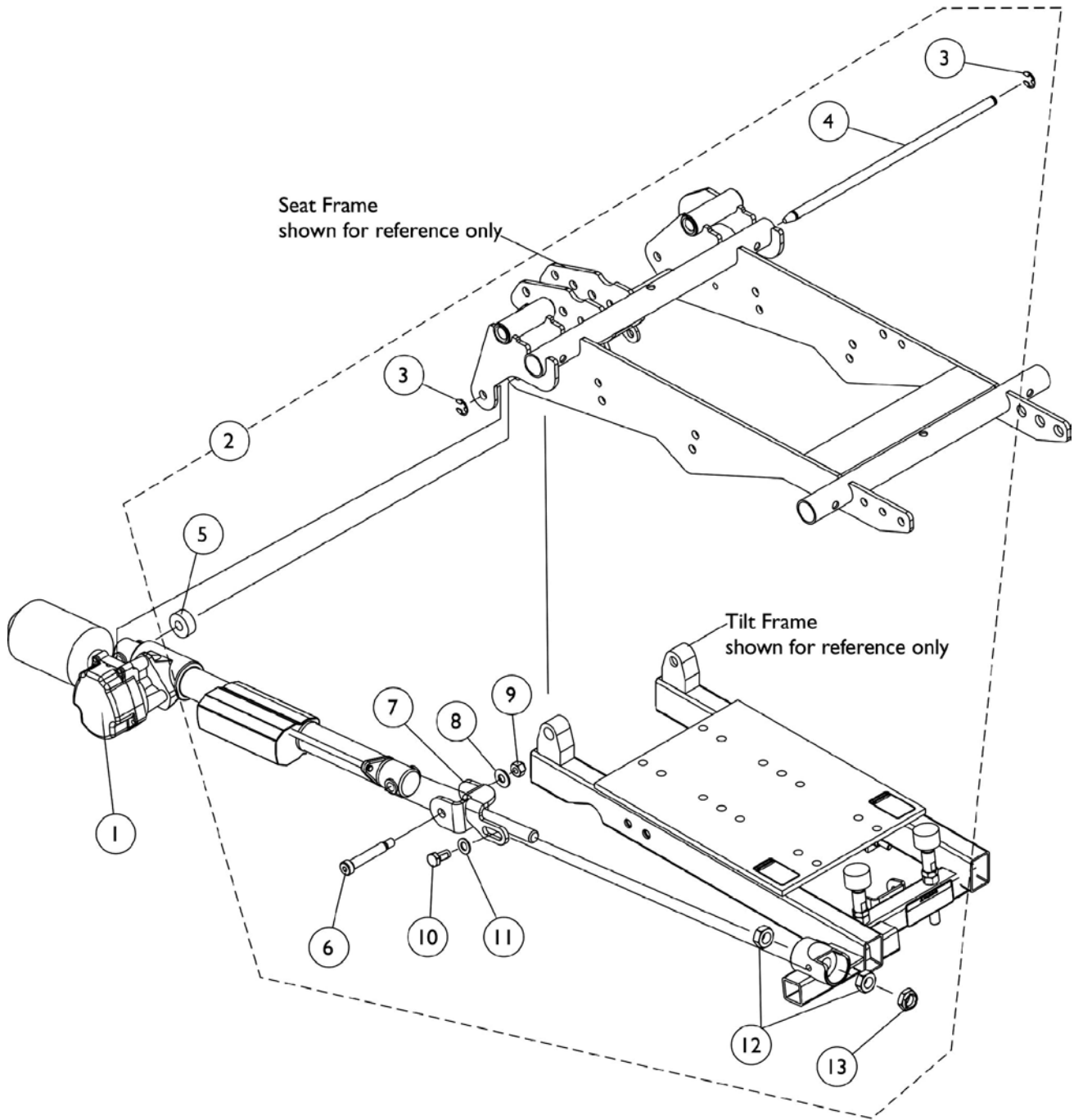


Balance Spring and Tilt Spring Assist Assemblies For Tilt and Tilt/Recline

Item Number	Note	Part Number	Description	Quantity Per	
				Package	Assembly
1	A	1125750	NLA - Kit, Balance Spring Assembly	1	1
2			Locknut (1/4-20)	1	1
3			NLA - Guide, Rod	1	1
4			NLA - Spring, Compression (1 x 5-1/2 x 1/4")	1	1
5			NLA - Rod, Balance Spring	1	1
6			NLA - Plate, Slide Support	1	4
7			NLA - Screw, Socket Flat Head w/ Patch (#10-32 x 3/8")	1	4
8			Pin, Roll (1/8 x 3/4")	1	1
9			NLA - Bracket, Balance Spring, Black	1	1
10	B	1124673	Kit, Spring Assist Hardware 400 Lb. Limit Non-Elevate	1	1
11			NLA - Screw, Shoulder Hex Socket Head (5/16" x 1-3/4", 1/4-20)	1	2
12			Spring, Cylinder Assist	1	2
13			Locknut (1/4-20)	1	2
14			Spacer, Spring Assist (5/16 x 5/8 x 9/16")	1	2

NOTE: A - Includes items 2-9
B - Includes items 11-14

Tilt Actuator Motor and Mounting Hardware

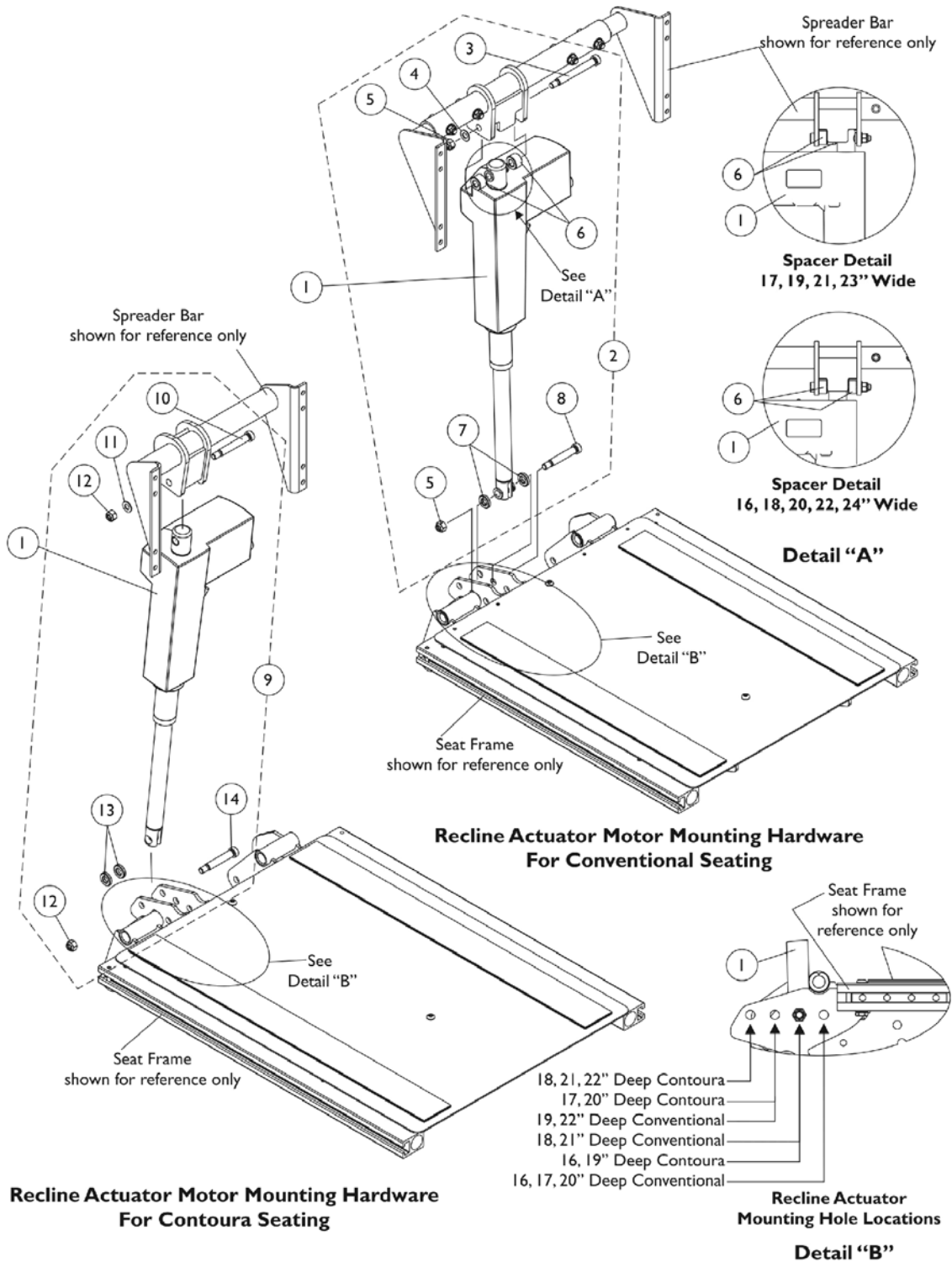


Tilt Actuator Motor and Mounting Hardware

Item Number	Note	Part Number	Description	Quantity Per	
				Package	Assembly
1	C	1122691	Motor, Tilt Actuator without Mounting Hardware - MK5	1	1
1	B	1146351	Motor, Tilt Actuator without Mounting Hardware - MK6i	1	1
2	A	1125746	Kit, Tilt Actuator Motor Mounting Hardware	1	1
3			NLA - Ring, Retaining	1	2
4			Rod, Reinforcing	1	1
5			Stand-Off, Actuator Motor	1	1
6			Screw, Shoulder Hex Socket Head (3/8 x 1-3/4", 5/16-18)	1	1
7			NLA - Bracket, Adjustable Clevis, Black	1	1
8			Washer, Steel (5/16 x 3/4 x 1/16")	1	1
9			Locknut (5/16-18)	1	1
10			Screw, Hex Head w/ Patch (5/16-18 x 5/8")	1	1
11			Washer, Flat (5/16 x 5/8 x 1/16")	1	1
12			NLA - Nut, Hex Jam (1/2-20)	1	2
13			Locknut (1/2-20)	1	1

NOTE: A - Includes items 3-13
 B - For MK6i Electronics only. Includes the Actuator Motor, Bushings and the Integrated Actuator Module (IAM) attached to the motor. The IAM is not available separately. NOTE: Part # 1140033 referenced on the motor is not available, refer to part # 1146351.
 C - Includes the Actuator Motor and Bushings. NOTE: Part # 1134695 referenced on the motor is not available, refer to part # 1122691.

Recline Actuator Motor and Mounting Hardware



Recline Actuator Motor and Mounting Hardware

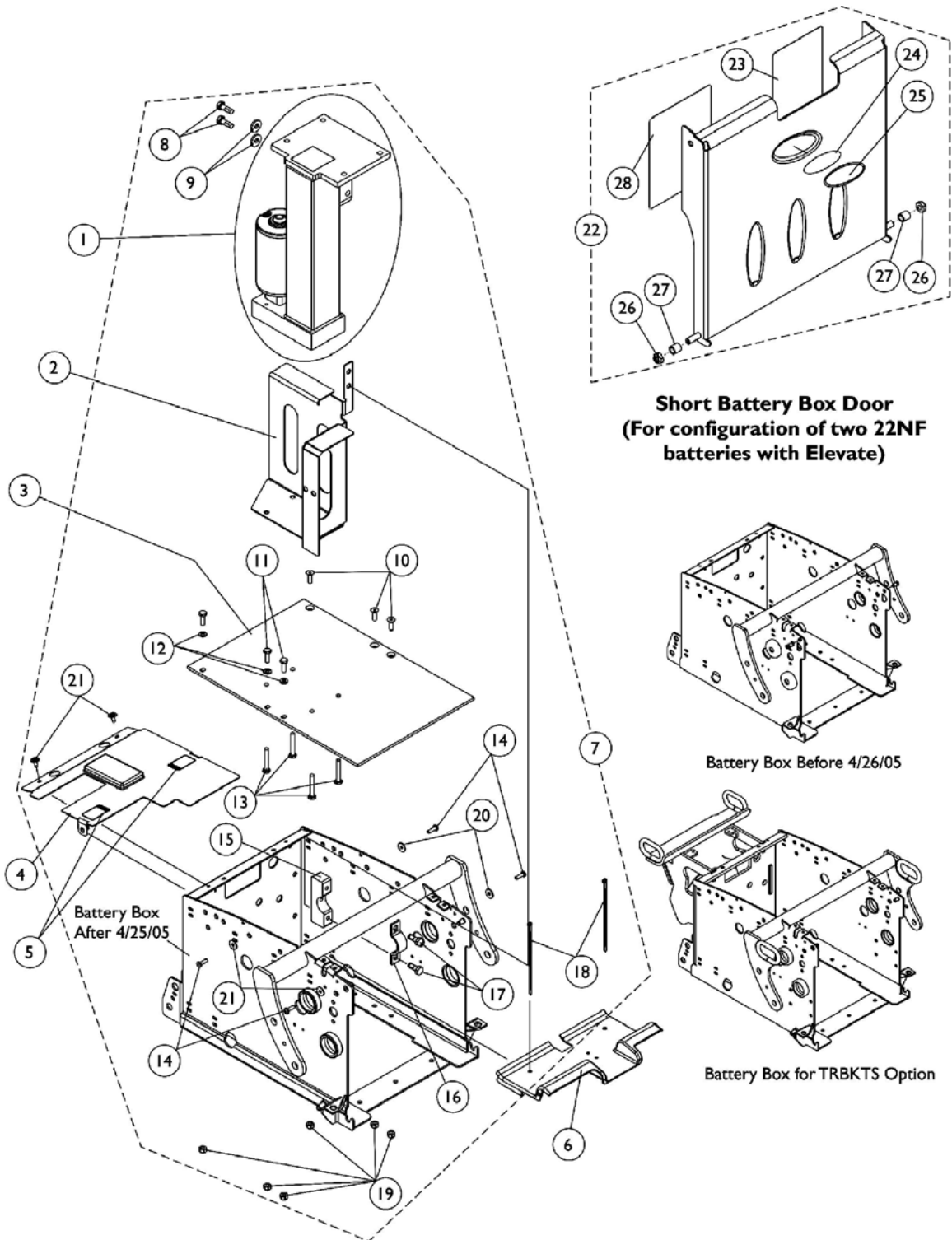
Item Number	Note	Part Number	Description	Quantity Per	
				Package	Assembly
1	D	1125635-NLA	NLA - Motor, Recline Actuator - MK5	1	1
1	C	1146350-NLA	NLA - Motor, Recline Actuator - MK6i	1	1
2	A	1125752	Kit, Recline Actuator Motor Mounting Hardware Conventional	1	1
3			NLA - Screw, Shoulder Hex Socket Head (3/8 x 2-3/4", 5/16-18)	1	1
4			Washer, Flat (5/16 x 5/8 x 1/16")	1	1
5			Locknut (5/16-18)	1	2
6			Spacer (3/8 x 1 x 1/2")	1	2
7			NLA - Bushing, Actuator Motor (3/8 x 3/4 x 5/32")	1	2
8			Screw, Shoulder Hex Socket Head (3/8 x 1-3/4", 5/16-18)	1	1
9	B	1125753	NLA - Kit, Recline Actuator Motor Mounting Hardware Contoura	1	1
10			Screw, Shoulder Hex Socket (3/8 x 2", 5/16-18)	1	1
11			Washer, Flat (5/16 x 5/8 x 1/16")	1	1
12			Locknut (5/16-18)	1	2
13			NLA - Bushing, Actuator Motor (3/8 x 3/4 x 5/32")	1	2
14			Screw, Shoulder Hex Socket Head (3/8 x 1-3/4", 5/16-18)	1	1

NOTE: A - Includes items 3-8
 B - Includes items 10-14
 C - Used with MK6i Electronics only. Includes the Actuator Motor and Bushings. NOTE: Part # 1136915 referenced on the motor is not available, refer to part # 1146350.
 D - Includes the Actuator Motor and Bushings. NOTE: Part # 1122257 referenced on the motor is not available, refer to part # 1125635.

Elevate Actuator Motor and Mounting Hardware

Elevate

For ASBA/ADJASBA, Conventional and Contoura Seating



Elevate Actuator Motor and Mounting Hardware

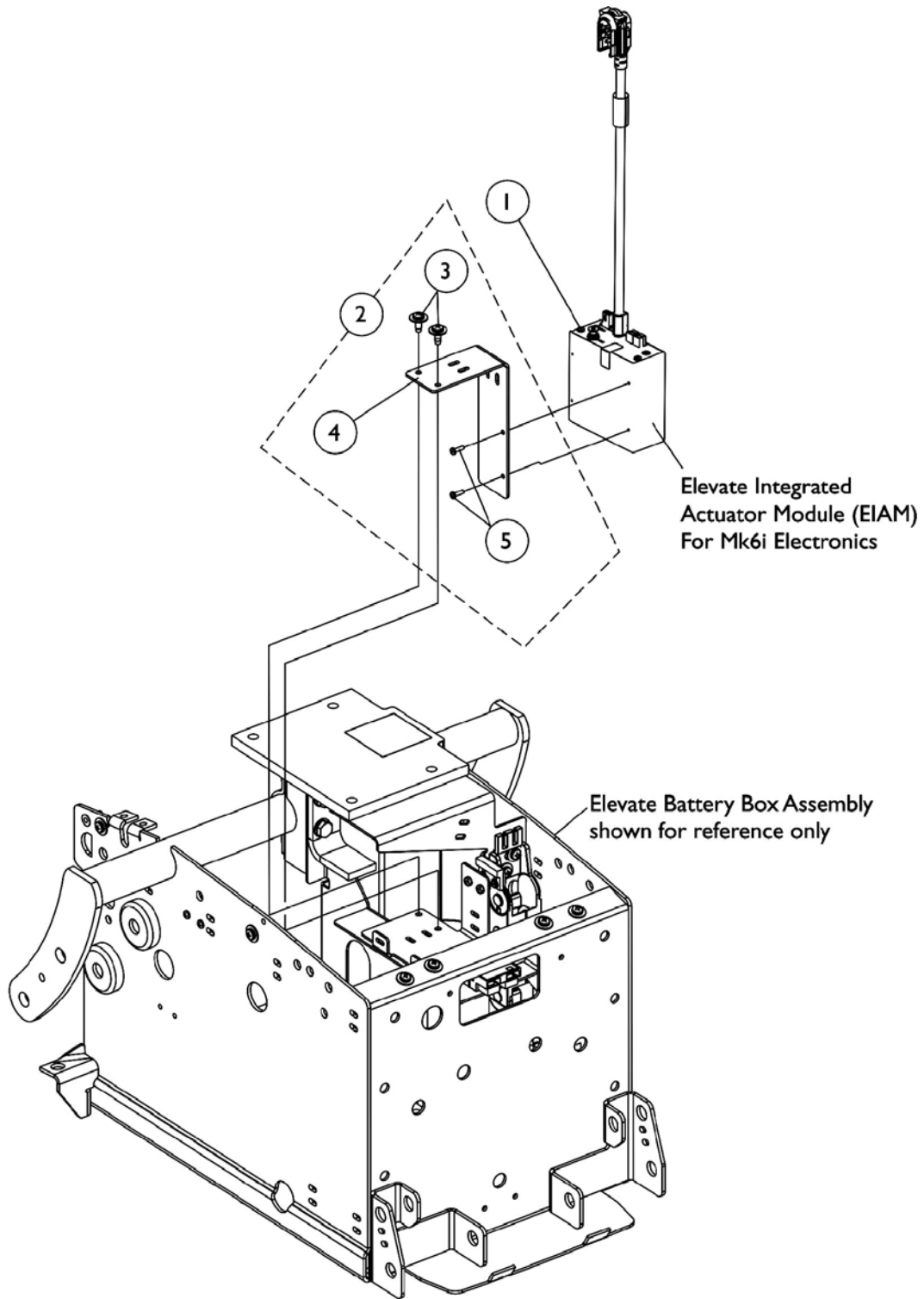
Elevate

For ASBA/ADJASBA, Conventional and Contoura Seating

Item Number	Note	Part Number	Description	Quantity Per	
				Package	Assembly
1	F	1122258-NLA	NLA - Elevating Actuator Assembly	1	1
2		1124653-NLA	NLA - Bracket, Elevate, Black	1	1
3		1124670	Plate, Battery Box Bottom	1	1
4		1124721-NLA	NLA - Shroud w/ Decals, Elevate, Battery Box	1	1
5		1079203	Decal, Warning Pinch Point	1	2
6		1124668-NLA	NLA - Shroud, Front Battery Box	1	1
7	A	1125739	NLA - Kit, Battery Box Assembly Hardware Elevate	1	1
8			NLA - Screw, Hex Head w/ Patch (5/16-18 x 7/8")	1	2
9			Washer, Flat (21/64 x 53/64 x 7/64")	1	2
10			Screw, Socket Flat Head (1/4-20 x 3/4")	1	3
11			Bolt, Hex Head Cap (1/4-20 x 3/4")	1	3
12			Washer (1/4 x 1/2 x 1/16")	1	3
13			Screw, Hex Head (1/4-20 x 1-5/8")	1	4
14			Screw, Phillips Pan Head (#10-32 x 5/8")	1	4
15			NLA - Bracket, Upper Seat, Front, Black	1	1
16			NLA - Bracket, Lower Seat, Front, Black	1	1
17			Screw, Hex Head w/ Patch (5/16-18 x 3/4")	1	2
18			Package, Tie Wrap (5-5/8" L)	1	2
19			Locknut (1/4-20)	1	6
20			Washer, Flat (3/16 x 5/8 x 1/16")	1	4
21			Screw, Phillips Pan Head Tap (#10-32 x 1/2")	1	2
22	B,C	1125776	Kit, Battery Box Door Elevate Assembly, 22NF Short	1	1
23			NLA - Label, 22NF Terminal Configuration Warning	1	1
24			NLA - Decal, Blank Logo	1	1
25			NLA - Decal, Invacare Medallion - Large	1	1
26			Locknut (1/4-20)	1	2
27			NLA - Sleeve, Door Pivot	1	2
28			NLA - Decal, Warning, Battery Install	1	1

NOTE: A - Includes items 8-21
 B - Includes items 23-28
 C - Blank Logo Decal is no longer available and no longer required for item number 25 Invacare Medallion Decal.
 F - Elevate Actuator Motor uses the Elevate Integrated Actuator Module (EIAM) when MK6i Electronics are used

Elevate Integrated Actuator Module (EIAM) For Elevate Actuator Motor w/ MK6i Electronics

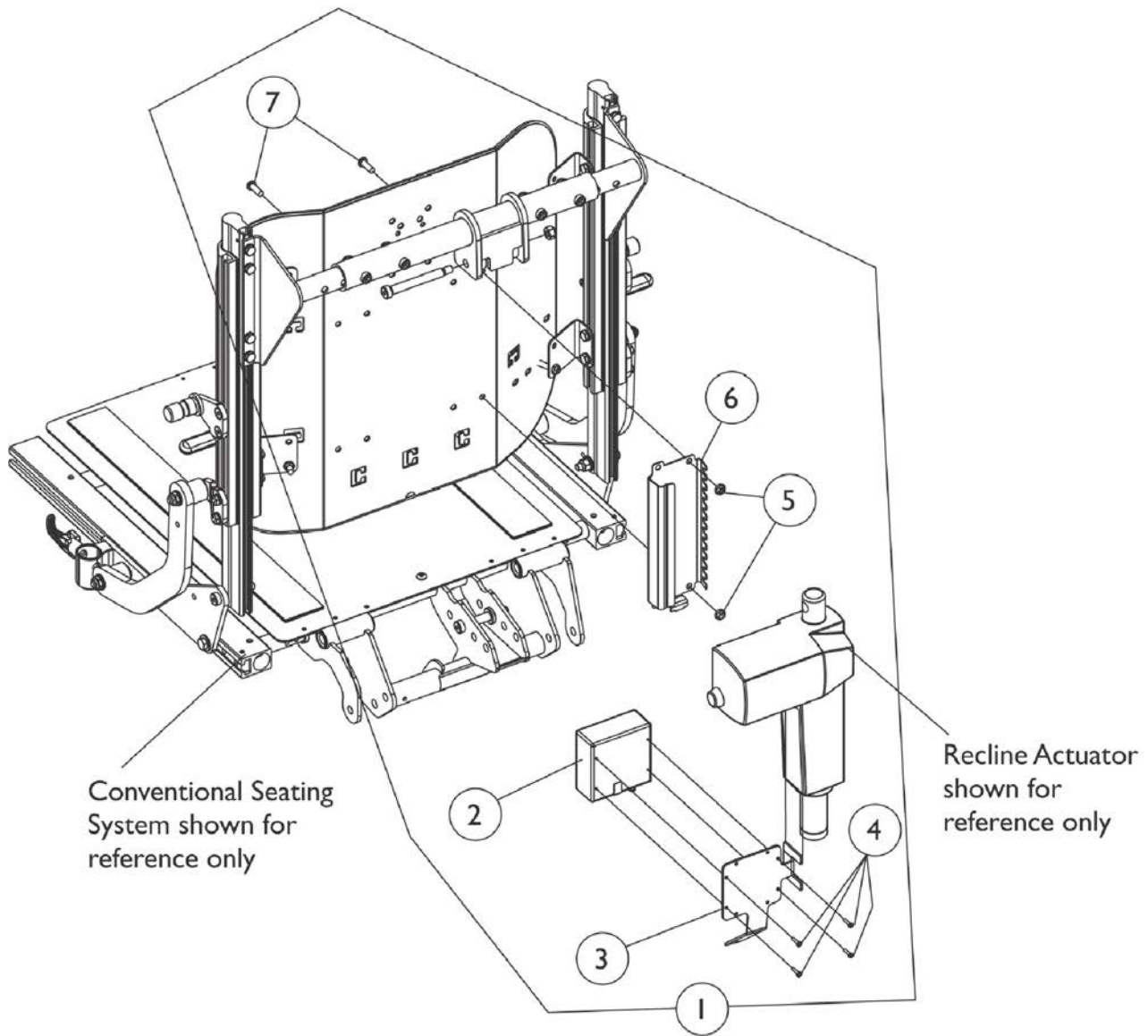


Elevate Integrated Actuator Module (EIAM) For Elevate Actuator Motor w/ MK6i Electronics

Item Number	Note	Part Number	Description	Quantity Per	
				Package	Assembly
1		1140036	Module, Elevate Integrated Actuator (EIAM) - MK6i (54" L)	1	1
2	A	1125685	Kit, MK5 SAC-E/ MK6i EIAM Mounting Hardware	1	1
3			Screw, Phillips Pan Head Tap (#10-32 x 1/2")	1	2
4			NLA - Bracket, Mounting, Black	1	1
5			Stud Plate, Quad Link	1	2

NOTE: A - Includes items 3-5

Recline Integrated Actuator Module (RIAM) For Formula Recline and Tilt/Recline



MK6i Recline Integrated Actuator Module (RIAM) and Mounting Hardware.

NOTE: Mounting Hardware used for Conventional and Contoura Seating

Recline Integrated Actuator Module (RIAM) For Formula Recline and Tilt/Recline

Item Number	Note	Part Number	Description	Quantity Per	
				Package	Assembly
1	A	1145415-NLA	NLA - Kit, MK6i Recline Integrated Actuator Module (RIAM) w/ Mtg. Hardware	1	1
2			Module, Recline Integrated Actuator (RIAM) - MK6i (36" L)	1	1
3			NLA - Bracket, MK6i Recline Integrated Actuator Module, Black (RIAM)	1	1
4			Screw, Phillips Pan Head (#4-40 x 1/2")	1	4
5			Locknut (1/4-20)	1	2
6			Bracket, MK6i Connector, Black	1	1
7			Screw, Socket Button (1/4-20 x 3/4")	1	2
2		1140034	Module, Recline Integrated Actuator (RIAM) - MK6i (36" L)	1	1
3		1145403-NLA	NLA - Bracket, MK6i Recline Integrated Actuator Module, Black (RIAM)	1	1
4		1021742	Screw, Phillips Pan Head (#4-40 x 1/2")	1	1
5		1025195	Locknut (1/4-20)	1	2
6		1160374	Bracket, MK6i Connector, Black	1	1
7		1009838	Screw, Socket Button (1/4-20 x 3/4")	1	2

NOTE: A - Includes items 2-7. Kit is used for Conventional and Contoura Seating

Seat Pan and Mounting Hardware

Elevate Only For ASBA Seating (Before 7/5/05)

#1 Seat Pan 16" Deep - 18" Deep

Chair Width	16" Deep	17" Deep	18" Deep
16" W	1066013-NLA	1066024	1066035
17" W	1066014	1066025-NLA	1066036
18" W	1066015	1066026	1066037
19" W	1066016-NLA	1066027-NLA	1066038
20" W	1066017	1066028-NLA	1066039
21" W	1066018-NLA	1066029-NLA	1066040
22" W	1066019-NLA	1066030-NLA	1066041

#1 Seat Pan 19" Deep - 22" Deep

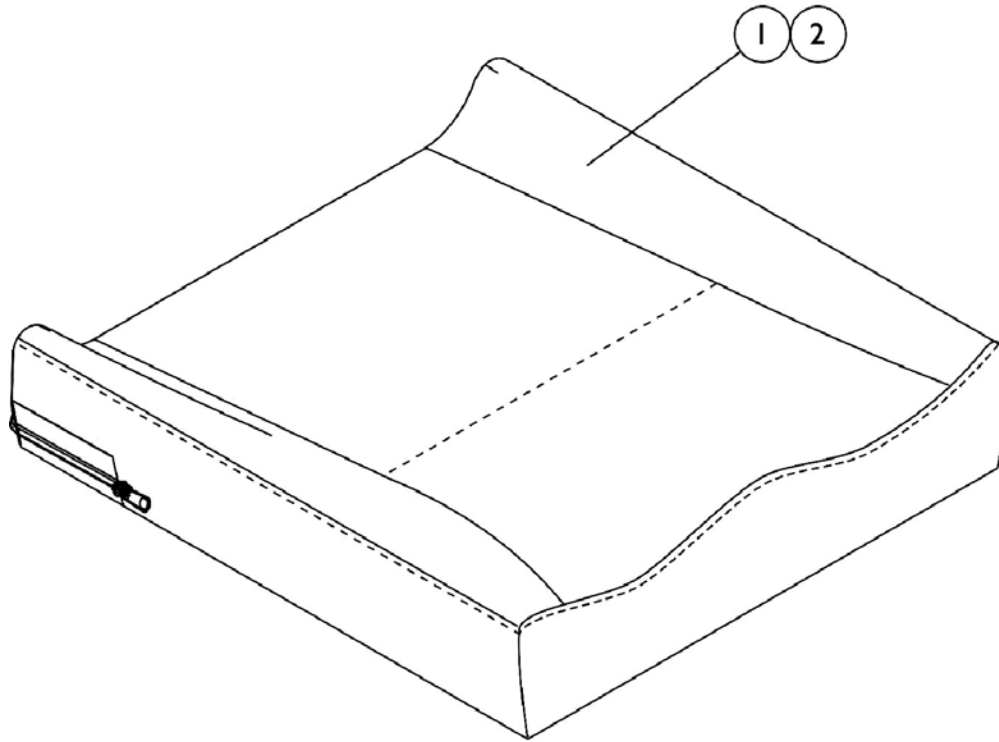
Chair Width	19" Deep	20" Deep	21" Deep	22" Deep
16" W	1066046	1066057-NLA	1066068-NLA	1066079-NLA
17" W	1066047	1066058-NLA	1066069	1066080-NLA
18" W	1066048	1066059-NLA	1066070	1066081-NLA
19" W	1066049-NLA	1066060	1066071	1066082-NLA
20" W	1066050	1066061-NLA	1066072	1066083
21" W	1066051	1066062-NLA	1066073-NLA	1066084-NLA
22" W	1066052	1066063	1066074-NLA	1066085-NLA

Seat Pan and Mounting Hardware

Elevate Only For ASBA Seating (Before 7/5/05)

Item Number	Note	Part Number	Description	Quantity Per	
				Package	Assembly
1		See Chart	#1 Seat Pan 16"-18" Depth	1	1
1		See Chart	#1 Seat Pan 19"-22" Depth	1	1
6		1070459	Kit, Seat Pan Mounting Hardware	1	1
2			Screw, Hex Head (1/4-20 x 1-5/8")	1	2
3			Screw, Hex Head (1/4-20 x 1-1/2")	1	4
4			Spacer (1/4 x 3/8 x 3/16")	1	4
5			Locknut (1/4-20)	1	6

Seat Cushion Assembly Contoura Seating



#1 Contoura Seat Cushion Assembly

NOTE: To order a Mesh Contoura Seat Cushion Assembly, please use quote # SM-100908010838 when placing your order.

Chair Width	16" Deep	17" Deep	18" Deep	19" Deep	20" Deep	21" Deep	22" Deep
16" Wide	1132982 See Note(s) A	1132983 See Note(s) A	1132984 See Note(s) A	1132985 See Note(s) A	1132986 See Note(s) A	N/A	N/A
18" Wide	1132987 See Note(s) A	1132988 See Note(s) A	1132989 See Note(s) A	1132990 See Note(s) A	1132991 See Note(s) A	N/A	N/A
20" Wide	1132992 See Note(s) A	1132993 See Note(s) A	1132994 See Note(s) A	1132995 See Note(s) A	1132996 See Note(s) A	1132997 See Note(s) A	1132998 See Note(s) A
22" Wide	N/A	N/A	1132999 See Note(s) A	1133000 See Note(s) A	1133001 See Note(s) A	1133002 See Note(s) A	1133003 See Note(s) A
24" Wide	N/A	N/A	1133004 See Note(s) A	1133005 See Note(s) A	1133006 See Note(s) A	1133007 See Note(s) A	1133008 See Note(s) A

NOTE: A - Cushion Foam is not available separately.

Seat Cushion Assembly Contoura Seating

#2 Contoura Seat Cushion Cover Before 12/16/10

Chair Width	16" Deep	17" Deep	18" Deep	19" Deep	20" Deep	21" Deep	22" Deep
16" Wide	1132953-NLA	1132954-NLA	1132955-NLA	1132956-NLA	1132957-NLA	N/A	N/A
18" Wide	1132958-NLA	1132959-NLA	1132960-NLA	1132961-NLA	1132962-NLA	N/A	N/A
20" Wide	1132963-NLA	1132964-NLA	1132965-NLA	1132966-NLA	1132967-NLA	1132968-NLA	1132969-NLA
22" Wide	N/A	N/A	1132970-NLA	1132971-NLA	1132972-NLA	1132973-NLA	1132974-NLA
24" Wide	N/A	N/A	1132975-NLA	1132976-NLA	1132977-NLA	1132978-NLA	1132979-NLA

Contoura Seat Cushion Covers listed on this chart are No Longer Available. Refer to the Contoura Seat Cushion Covers dated after 12/15/10 as a direct replacement.

Seat Cushion Assembly Contoura Seating

#2 Contoura Seat Cushion Cover After 12/15/10

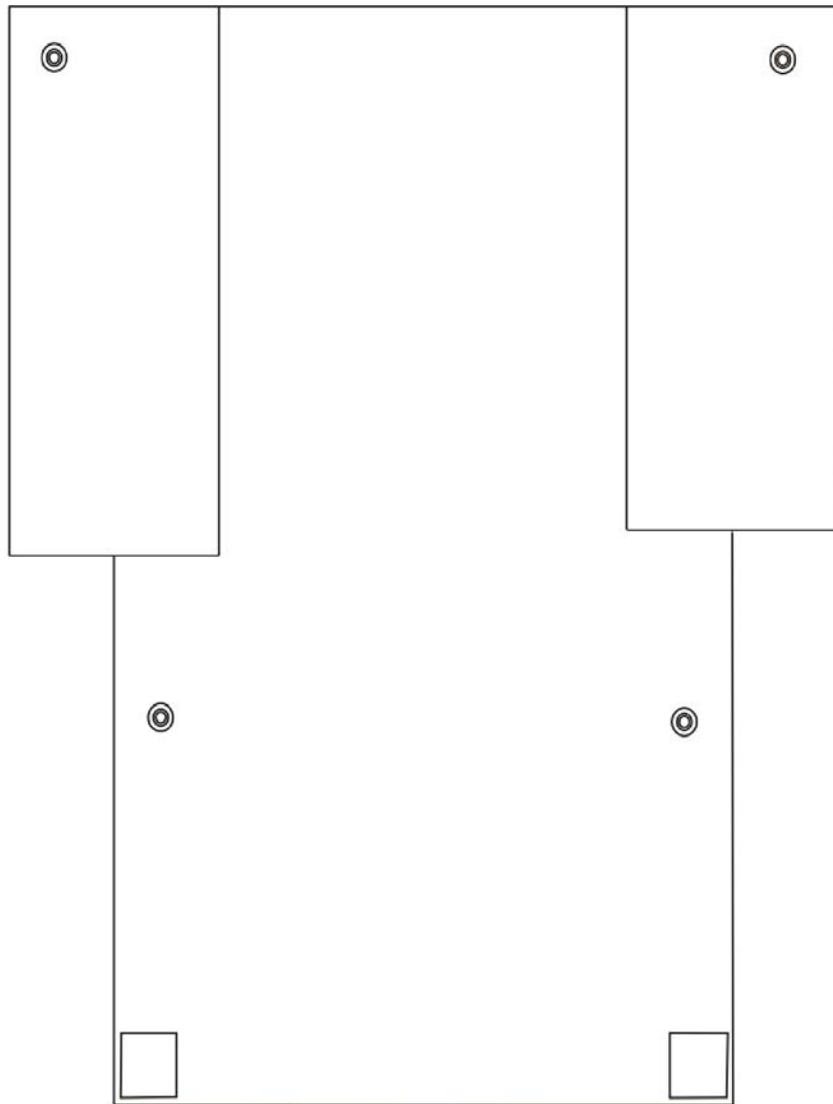
Chair Width	16" Deep	17" Deep	18" Deep	19" Deep	20" Deep	21" Deep	22" Deep
16" Wide	1167372	1167373	1167374	1167375	1167376	N/A	N/A
18" Wide	1167377	1167378	1167379	1167380	1167381	N/A	N/A
20" Wide	1167382	1167383	1167384	1167385	1167386	1167387	1167388
22" Wide	N/A	N/A	1167389	1167390	1167391	1167392	1167393
24" Wide	N/A	N/A	1167394	1167395	1167396	1167397	1167398

#2 Contoura Seat Cushion Cover, Mesh (CTBMSH)

Chair Width	16" Deep	17" Deep	18" Deep	19" Deep	20" Deep	21" Deep	22" Deep
16" Wide	1164208	1164209	1164210	1164211	1164212	N/A	N/A
18" Wide	1164213	1164214	1164215	1164216	1164217	N/A	N/A
20" Wide	1164218	1164219	1164220	1164221	1164222	1164223	1164224
22" Wide	N/A	N/A	1164225	1164226	1164227	1164228	1164229
24" Wide	N/A	N/A	1164230	1164231	1164232	1164233	1164234

Back Upholstery, Nylon

Elevate Only For ASBA/ADJASBA Seating



Single Liners

Width	16"-17" High	18"-19" High	20" High	21"-22" High	23"-24" High
16" W	1045175	1045207	1068947	1045159	1054529
17" W	1045176	1045208	1068948	1045160	1054530
18" W	1045177	1045209	1068949	1045161	1054531

Back Upholstery, Nylon

Elevate Only For ASBA/ADJASBA Seating

Dual Liners

Width	16"-17" High	18" - 19" High	20" High	21" - 22" High	23" - 24" High
16" W	1045180	1045212	1068952	1045164	1054534
17" W	1045181	1045213	1068953	1045165	1054535
18" W	1045182	1045214	1068954	1045166	1054536
19" W	1045183	1045215	1068955	1045167	1054537
20" W	1045184	1045216	1068956	1045168	1054538
21" W	1045185	1045217	1068957	1045169	1054539
22" W	1045186	1045218	1068958	1045170	1054540

NOTE: Dual liner back upholstery is used with chairs that have a seat deeper than 17" or back wider than 18".

Back Upholstery Hardware

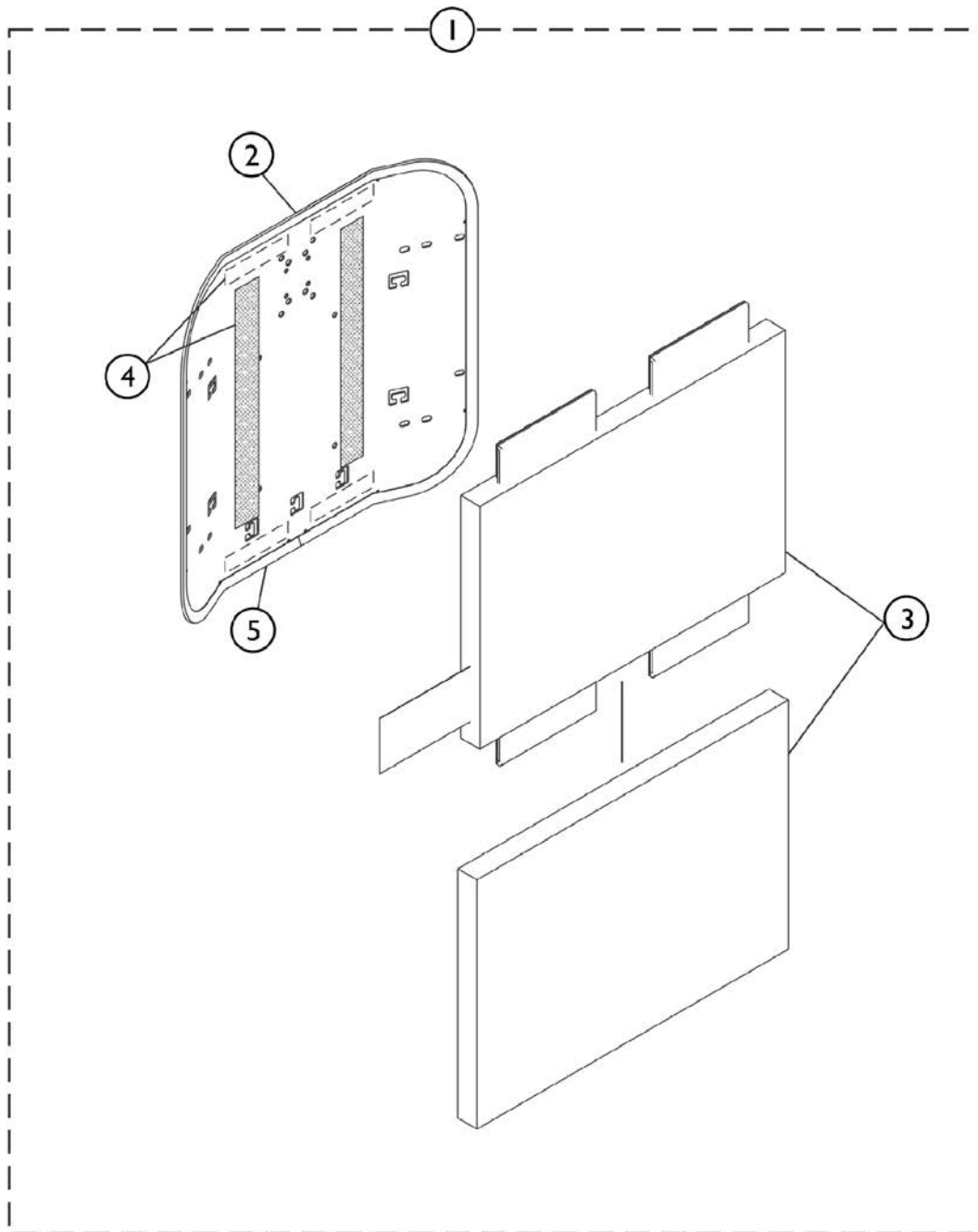
Item Number	Note	Part Number	Description	Quantity Per	
				Package	Assembly
	A	See Chart	Single Liners	1	1
	A	See Chart	Dual Liners - Nylon	1	1
	A	1026298	Package, Screw with Washer (#10 x 7/8") (Pair)	2	1

NOTE: A - Not Shown

Conventional Back without Mounting Hardware

NOTE: Extruded back canes come in one back height only. Back cane material height for extruded back canes measure approximately 20-1/2". Overall back height from the seat pan to top of the extruded back cane is approximately 22-1/2". Only the Back Assembly needs to be replaced when changing back heights.

NOTE: Hook Fastener Adhesive Kit must be ordered when a Back Pan or Back Assembly is requested. This will allow the Loop Fastener Adhesive on the Back Cover to attach properly.



SHEP_100A

Conventional Back without Mounting Hardware

NOTE: Extruded back canes come in one back height only. Back cane material height for extruded back canes measure approximately 20-1/2". Overall back height from the seat pan to top of the extruded back cane is approximately 22-1/2". Only the Back Assembly needs to be replaced when changing back heights.

NOTE: Hook Fastener Adhesive Kit must be ordered when a Back Pan or Back Assembly is requested. This will allow the Loop Fastener Adhesive on the Back Cover to attach properly.

Item Number	Note	Part Number	Description	Quantity Per	
				Package	Assembly
1		See Chart	#1 Back Assembly without Hardware 16"-20" Wide	1	1
1		See Chart	#1 Back Assembly without Hardware 21"-24" Wide	1	1
2		See Chart	#2 Back Pan with Vinyl Edge Trim 16"-20" Wide	1	1
2		See Chart	#2 Back Pan with Vinyl Edge Trim 21"-24" Wide	1	1
3		See Chart	#3 Back Cushion Assembly 16"-20" Wide	1	1
3		See Chart	#3 Back Cushion Assembly 21"-24" Wide	1	1
4	A	1125723	Kit, Hook Fastener w/ Adhesive Back	1	1
5		1125724-NLA	NLA - Trim, Edge, Cut-To-Length, Vinyl Black (96" L)	1	1

NOTE: A - Hook Fastener Adhesive kit is used to attach the Back Cover to the Back Pan and must be ordered when a new Back Pan or Back Assembly is requested.

#1 Back Assembly without Hardware 16"-20" Wide

Overall Back Height	Material Back Height	16" Wide	17" Wide	18" Wide	19" Wide	20" Wide
20"	15"	1125564	1125565	1125566	1125567	1125568
21"	16"	1125573	1125574	1125575	1125576	1125577
22"	17"	1125582	1125583	1125584	1125585	1125586
23"	18"	1125591	1125592	1125593	1125594	1125595
24"	19"	1125600	1125601	1125602	1125603	1125604
25"	20"	1125609	1125610	1125611	1125612	1125613
26"	21"	1125618	1125619	1125620	1125621	1125622

#1 Back Assembly without Hardware 21"-24" Wide

Overall Back Height	Material Back Height	21" Wide	22" Wide	23" Wide	24" Wide
20"	15"	1125569	1125570	1125571	1125572
21"	16"	1125578	1125579	1125580	1125581
22"	17"	1125587	1125588	1125589	1125590

Conventional Back without Mounting Hardware

NOTE: Extruded back canes come in one back height only. Back cane material height for extruded back canes measure approximately 20-1/2". Overall back height from the seat pan to top of the extruded back cane is approximately 22-1/2". Only the Back Assembly needs to be replaced when changing back heights.

NOTE: Hook Fastener Adhesive Kit must be ordered when a Back Pan or Back Assembly is requested. This will allow the Loop Fastener Adhesive on the Back Cover to attach properly.

#1 Back Assembly without Hardware 21"-24" Wide

Overall Back Height	Material Back Height	21" Wide	22" Wide	23" Wide	24" Wide
23"	18"	1125596	1125597	1125598	1125599
24"	19"	1125605	1125606	1125607	1125608
25"	20"	1125614	1125615	1125616	1125617
26"	21"	1125623	1125624	1125625	1125626

Conventional Back without Mounting Hardware

NOTE: Extruded back canes come in one back height only. Back cane material height for extruded back canes measure approximately 20-1/2". Overall back height from the seat pan to top of the extruded back cane is approximately 22-1/2". Only the Back Assembly needs to be replaced when changing back heights.

NOTE: Hook Fastener Adhesive Kit must be ordered when a Back Pan or Back Assembly is requested. This will allow the Loop Fastener Adhesive on the Back Cover to attach properly.

#2 Back Pan with Vinyl Edge Trim 16"-20" Wide

Overall Back Height	Material Back Height	16" Wide	17" Wide	18" Wide	19" Wide	20" Wide
20"	15"	1124578	1124585	1124592	1124599	1124606
21"	16"	1124579	1124586	1124593	1124600	1124607
22"	17"	1124580	1124587	1124594	1124601	1124608
23"	18"	1124581	1124588	1124595	1124602	1124609
24"	19"	1124582	1124589	1124596	1124603	1124610
25"	20"	1124583	1124590	1124597	1124604	1124611
26"	21"	1124584	1124591	1124598	1124605	1124612

#2 Back Pan with Vinyl Edge Trim 21"-24" Wide

Overall Back Height	Material Back Height	21" Wide	22" Wide	23" Wide	24" Wide
20"	15"	1124613	1124620	1124627	1124634
21"	16"	1124614	1124621	1124628	1124635
22"	17"	1124615	1124622	1124629	1124636
23"	18"	1124616	1124623	1124630	1124637
24"	19"	1124617	1124624	1124631	1124638
25"	20"	1124618	1124625	1124632	1124639
26"	21"	1124619	1124626	1124633	1124640

Hook Adhesive is not included with the Back Pan

Conventional Back without Mounting Hardware

NOTE: Extruded back canes come in one back height only. Back cane material height for extruded back canes measure approximately 20-1/2". Overall back height from the seat pan to top of the extruded back cane is approximately 22-1/2". Only the Back Assembly needs to be replaced when changing back heights.

NOTE: Hook Fastener Adhesive Kit must be ordered when a Back Pan or Back Assembly is requested. This will allow the Loop Fastener Adhesive on the Back Cover to attach properly.

#3 Back Cushion Assembly 16"-20" Wide

Overall Back Height	Material Back Height	16" Wide	17" Wide	18" Wide	19" Wide	20" Wide
20"	15"	1097397	1097398	1097399	1097400	1097401
21"	16"	1097404	1097405	1097406	1097407	1097408
22"	17"	1097411	1097412	1097413	1097414	1097415
23"	18"	1097418	1097419	1097420	1097421	1097422
24"	19"	1097425	1097426	1097427	1097428	1097429
25"	20"	1097432	1097433	1097434	1097435	1097436
26"	21"	1097439	1097440	1097441	1097442	1097443

Back cover and foam are sold as a back cushion assembly only. Chart reflects chair width and the actual back cushion width will be 1" wider than the chair width.

#3 Back Cushion Assembly 21"-24" Wide

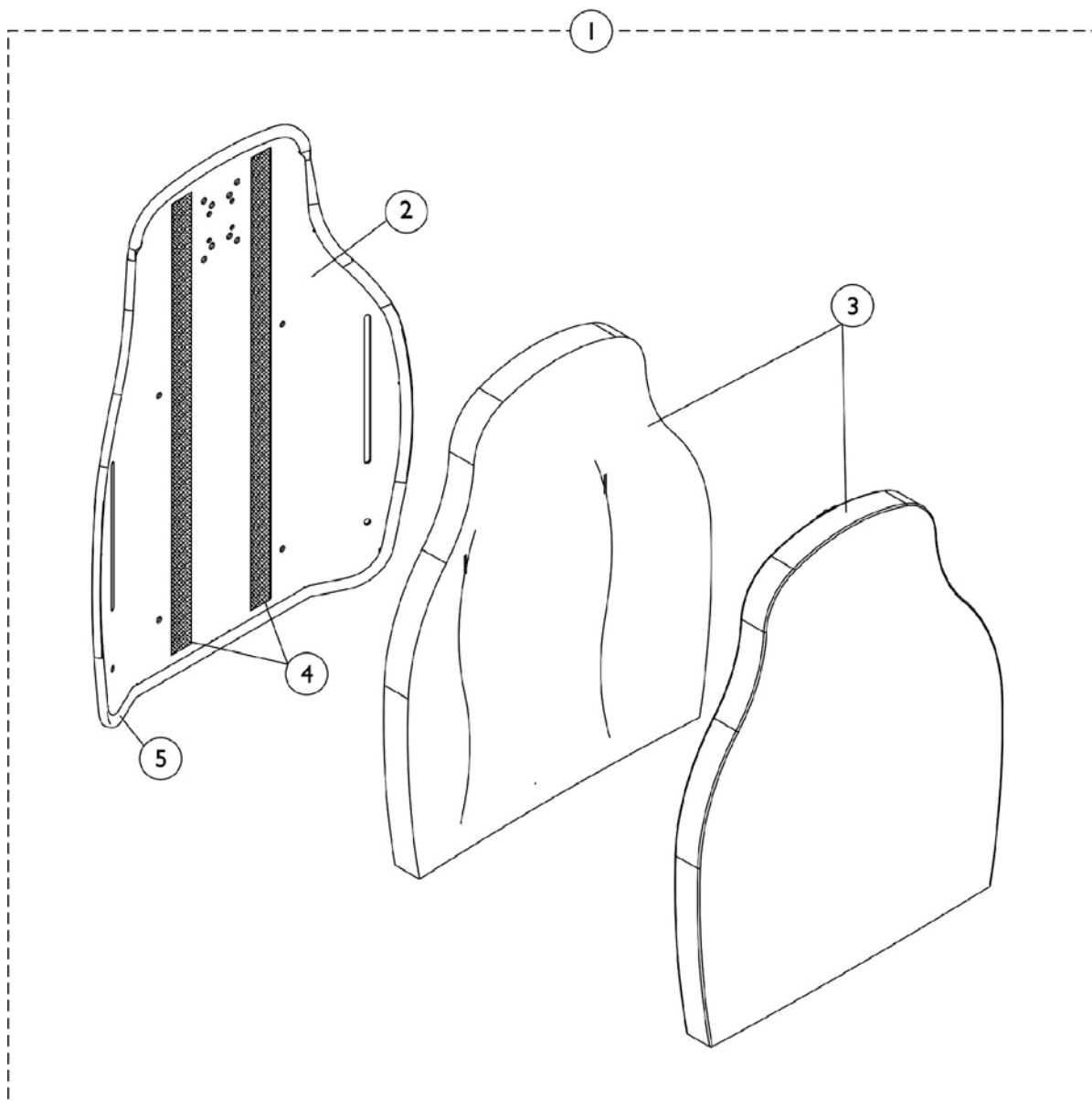
Overall Back Height	Material Back Height	21" Wide	22" Wide	23" Wide	24" Wide
20"	15"	1097402	1125543	1125544	1125545
21"	16"	1097409	1125546	1125547	1125548
22"	17"	1097416	1125549	1125550	1125551
23"	18"	1097423	1125552	1125553	1125554
24"	19"	1097430	1125555	1125556	1125557
25"	20"	1097437	1125558	1125559	1125560
26"	21"	1097444	1125561	1125562	1125563

Back cover and foam are sold as a back cushion assembly only. Chart reflects chair width and the actual back cushion width will be 1" wider than the chair width.

Contoura Back without Mounting Hardware - Before 5/15/09

NOTE: When changing seat width on any system that has Recline and Contoura Seating (Tilt/Recline, Tilt/Recline/Elevate or Recline Only) you must First look up special quote # C-100628042246 for directions on how to order the Back and all additional components that may be required for changing seat width through the Equipment Configurator.

NOTE: Extruded back canes come in one back height only. Back cane material height for the contoura extruded back canes measure approximately 20-1/2". Overall back height from the seat pan to top of the extruded back cane is approximately 23". Only the Back Assembly needs to be replaced when changing back heights. Contoura Backs for ADJASBA Seating do not use the 24" wide selection



Contoura Back without Mounting Hardware - Before

5/15/09

NOTE: When changing seat width on any system that has Recline and Contoura Seating (Tilt/Recline, Tilt/Recline/Elevate or Recline Only) you must First look up special quote # C-100628042246 for directions on how to order the Back and all additional components that may be required for changing seat width through the Equipment Configurator.

NOTE: Extruded back canes come in one back height only. Back cane material height for the contoura extruded back canes measure approximately 20-1/2". Overall back height from the seat pan to top of the extruded back cane is approximately 23". Only the Back Assembly needs to be replaced when changing back heights. Contoura Backs for ADJASBA Seating do not use the 24" wide selection

Contoura Back without Mounting Hardware - Before 5/15/09

NOTE: When changing seat width on any system that has Recline and Contoura Seating (Tilt/Recline, Tilt/Recline/Elevate or Recline Only) you must First look up special quote # C-100628042246 for directions on how to order the Back and all additional components that may be required for changing seat width through the Equipment Configurator.

NOTE: Extruded back canes come in one back height only. Back cane material height for the contoura extruded back canes measure approximately 20-1/2". Overall back height from the seat pan to top of the extruded back cane is approximately 23". Only the Back Assembly needs to be replaced when changing back heights. Contoura Backs for ADJASBA Seating do not use the 24" wide selection

Item Number	Note	Part Number	Description	Quantity Per	
				Package	Assembly
1		See Chart	#1 Back Assembly without Hardware 16", 18", 20", 22", 24" Wide	1	1
2		See Chart	#2 Back Pan with Vinyl Edge Trim 16", 18", 20", 22", 24" Wide	1	1
3		See Chart	#3 Back Cushion Assembly 16", 18", 20", 22", 24" Wide	1	1
4		1125725-NLA	NLA - Hook Fastener w/ Adhesive Back (1" W x 48" L)	1	1
5		1125724-NLA	NLA - Trim, Edge, Cut-To-Length, Vinyl Black (96" L)	1	1

Contoura Back without Mounting Hardware - Before 5/15/09

NOTE: When changing seat width on any system that has Recline and Contoura Seating (Tilt/Recline, Tilt/Recline/Elevate or Recline Only) you must First look up special quote # C-100628042246 for directions on how to order the Back and all additional components that may be required for changing seat width through the Equipment Configurator.

NOTE: Extruded back canes come in one back height only. Back cane material height for the contoura extruded back canes measure approximately 20-1/2". Overall back height from the seat pan to top of the extruded back cane is approximately 23". Only the Back Assembly needs to be replaced when changing back heights. Contoura Backs for ADJASBA Seating do not use the 24" wide selection

#1 Back Assembly without Hardware 16", 18", 20", 22", 24" Wide

Overall Back Height	Material Back Height	16" Wide	18" Wide	20" Wide	22" Wide	24" Wide
25"	20"	1132828-NLA	1132829-NLA	1132830-NLA	1132831-NLA	1132832-NLA
29"	24"	1132825-NLA	1124733	1124734	1132826-NLA	1132827-NLA

NOTE: When changing seat width on any system that has Recline and Contoura Seating (Tilt/Recline, Tilt/Recline/Elevate or Recline Only) you must First look up special quote # C-100628042246 for directions on how to order the Back and all additional components that may be required for changing seat width through the Equipment Configurator.

#2 Back Pan with Vinyl Edge Trim 16", 18", 20", 22", 24" Wide

Overall Back Height	Material Back Height	16" Wide	18" Wide	20" Wide	22" Wide	24" Wide
25"	20"	1131405-NLA	1131406-NLA	1131407-NLA	1131408-NLA See Note(s) A	1131409-NLA
29"	24"	1131410-NLA	1122454-NLA	1122453-NLA	1131411-NLA	1131412-NLA

NOTE: A - Item is No Longer Available. Back Assembly, part # 1132831 must be purchased for replacement.

#3 Back Cushion Assembly 16", 18", 20", 22", 24" Wide

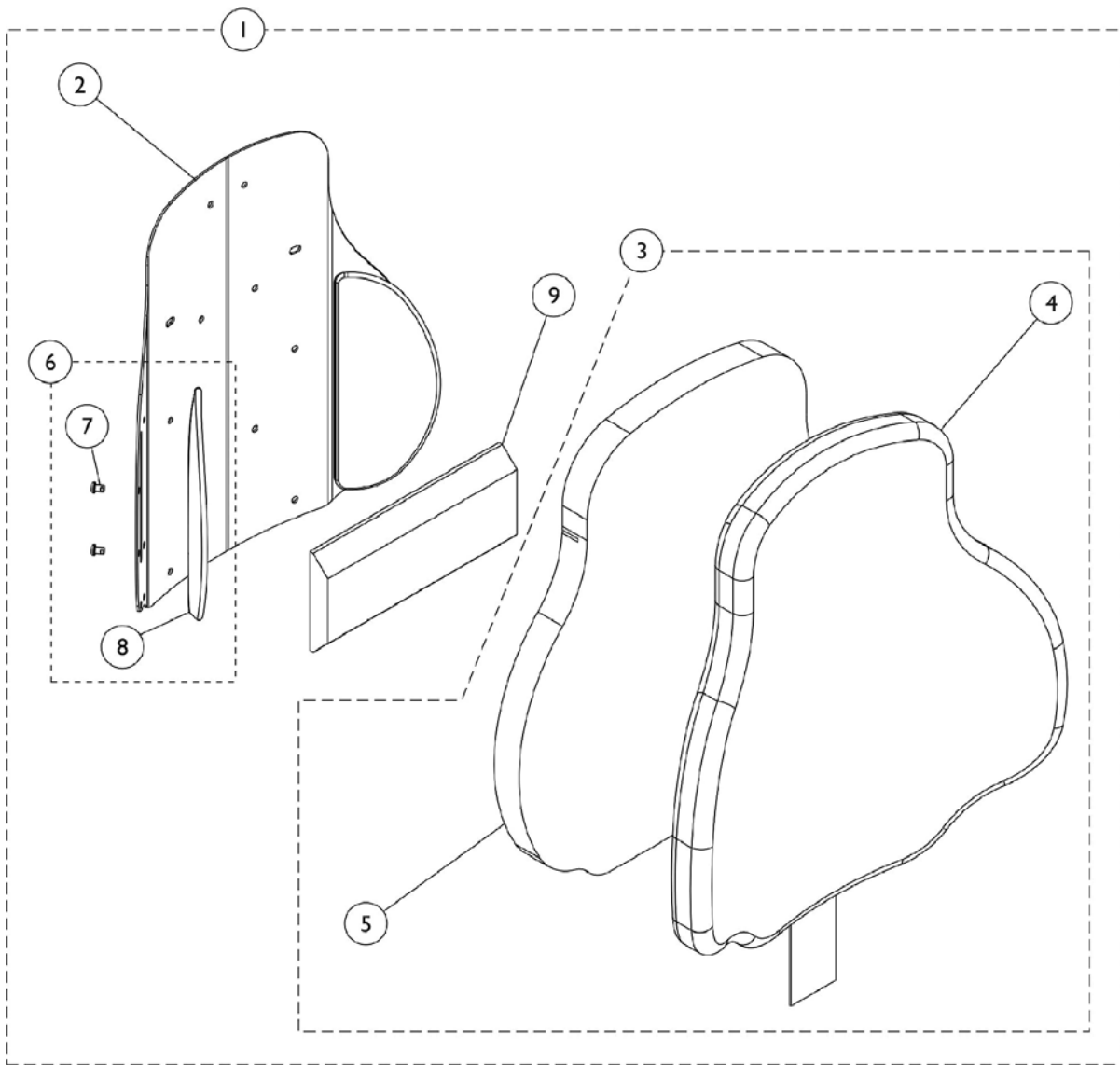
Overall Back Height	Material Back Height	16" Wide	18" Wide	20" Wide	22" Wide	24" Wide
25"	20"	1132820-NLA	1132821-NLA	1132822-NLA	1132823-NLA	1132824-NLA See Note(s) B
29"	24"	1132817-NLA	1125641	1125642	1132818-NLA	1132819-NLA See Note(s) A

NOTE: A - Item is No Longer Available. Back Assembly, part # 1132827 must be purchased for replacement.
B - Item is No Longer Available. Back Assembly, part # 1132832 must be purchased for replacement.

Curve Contoura Back w/o Mounting Hardware - After 5/14/09

NOTE: When changing seat width on any system that has Recline and Curve Contoura Seating (Tilt/Recline, Tilt/Recline/Elevate or Recline Only) you must First look up special quote # C-100628042246 for directions on how to order the Back and all additional components that may be required for changing seat width through the Equipment Configurator.

NOTE: Extruded back canes come in one back height only. Back cane material height for the contoura extruded back canes measure approximately 20-1/2". Overall back height from the seat pan to top of the extruded back cane is approximately 23". Only the Back Assembly needs to be replaced when changing back heights.



Curve Contoura Back w/o Mounting Hardware - After 5/14/09

NOTE: When changing seat width on any system that has Recline and Curve Contoura Seating (Tilt/Recline, Tilt/Recline/Elevate or Recline Only) you must First look up special quote # C-100628042246 for directions on how to order the Back and all additional components that may be required for changing seat width through the Equipment Configurator.

NOTE: Extruded back canes come in one back height only. Back cane material height for the contoura extruded back canes measure approximately 20-1/2". Overall back height from the seat pan to top of the extruded back cane is approximately 23". Only the Back Assembly needs to be replaced when changing back heights.

Curve Contoura Back w/o Mounting Hardware - After 5/14/09

NOTE: When changing seat width on any system that has Recline and Curve Contoura Seating (Tilt/Recline, Tilt/Recline/Elevate or Recline Only) you must First look up special quote # C-100628042246 for directions on how to order the Back and all additional components that may be required for changing seat width through the Equipment Configurator.

NOTE: Extruded back canes come in one back height only. Back cane material height for the contoura extruded back canes measure approximately 20-1/2". Overall back height from the seat pan to top of the extruded back cane is approximately 23". Only the Back Assembly needs to be replaced when changing back heights.

Item Number	Note	Part Number	Description	Quantity Per	
				Package	Assembly
1	A	See Chart	#1 Curved Contoura Back Kit	1	1
1	A	See Chart	#1 Mesh Curved Contoura Back Kit (CTBMSH)	1	1
3	B	See Chart	#3 Curve Contoura Back Cushion Assembly	1	1
3	B	See Chart	#3 Mesh Curve Contoura Back Cushion Assembly (CTBMSH)	1	1
6	C	1166151	Kit, Lateral Support, Contoura Back (22" H) (Pair)	1	1
			Screw, Socket, Button (1/4-20 x 3/8")	1	4
			Support, Lateral (22" H)	1	2
6	C	1163130	Kit, Lateral Support, Contoura Back (25" H) (Pair)	1	1
7			Screw, Socket, Button (1/4-20 x 3/8")	1	4
8			Support, Lateral (25" H)	1	2
6	C	1163131	Kit, Lateral Support, Contoura Back (28" H) (Pair)	1	1
7			Screw, Socket, Button (1/4-20 x 3/8")	1	4
8			Support, Lateral (28" H)	1	2
9		1084410-NLA	NLA - Support, Lumbar - Large	1	1

NOTE: A - Includes Items 2 thru 9.
B - Includes Items 4 and 5. Back Cover and Foam are sold as a Back Cushion Assembly only.
C - Included Items 7 and 8.

Item #2 is a non-saleable part. Refer to item #1 Kit when ordering.

#1 Curved Contoura Back Kit

Overall Back Height	Material Back Height	16" Wide	18" Wide	20" Wide	22" Wide	24" Wide
22" High	17" High	1165846 See Note(s) A	1165847 See Note(s) A	1165848 See Note(s) A	1165849 See Note(s) A	1165850 See Note(s) A
25" High	20" High	1161480 See Note(s) A	1161482 See Note(s) A	1161484 See Note(s) A	1161486 See Note(s) A	1161488 See Note(s) A
28" High	23" High	1161481 See Note(s) A	1161483 See Note(s) A	1161485 See Note(s) A	1161487 See Note(s) A	1161489 See Note(s) A

NOTE: A - Includes items 2-9

NOTE: When changing seat width on any system that has Recline and Curve Contoura Seating (Tilt/Recline, Tilt/Recline/Elevate or Recline Only) you must First look up special quote # C-100628042246 for directions on how to order the Back and all additional components that may be required for changing seat width through the Equipment Configurator.

Overall Back Height includes the spacing gap dimension from the bottom of the Back Assembly to the Seat Pan

Curve Contoura Back w/o Mounting Hardware - After 5/14/09

NOTE: When changing seat width on any system that has Recline and Curve Contoura Seating (Tilt/Recline, Tilt/Recline/Elevate or Recline Only) you must First look up special quote # C-100628042246 for directions on how to order the Back and all additional components that may be required for changing seat width through the Equipment Configurator.

NOTE: Extruded back canes come in one back height only. Back cane material height for the contoura extruded back canes measure approximately 20-1/2". Overall back height from the seat pan to top of the extruded back cane is approximately 23". Only the Back Assembly needs to be replaced when changing back heights.

#1 Mesh Curved Contoura Back Kit (CTBMSH)

Overall Back Height	Material Back Height	16" Wide	18" Wide	20" Wide	22" Wide	24" Wide
22" High	17" High	1165837 See Note(s) A	1165842 See Note(s) A	1165843 See Note(s) A	1165844 See Note(s) A	1165845 See Note(s) A
25" High	20" High	1164235 See Note(s) A	1164237 See Note(s) A	1164239 See Note(s) A	1164241 See Note(s) A	1164243 See Note(s) A
28" High	23" High	1164236 See Note(s) A	1164238 See Note(s) A	1164240 See Note(s) A	1164242 See Note(s) A	1164244 See Note(s) A

NOTE: A - Includes items 2-9

NOTE: When changing seat width on any system that has Recline and Curve Contoura Seating (Tilt/Recline, Tilt/Recline/Elevate or Recline Only) you must First look up special quote # C-100628042246 for directions on how to order the Back and all additional components that may be required for changing seat width through the Equipment Configurator.

Curve Contoura Back w/o Mounting Hardware - After 5/14/09

NOTE: When changing seat width on any system that has Recline and Curve Contoura Seating (Tilt/Recline, Tilt/Recline/Elevate or Recline Only) you must First look up special quote # C-100628042246 for directions on how to order the Back and all additional components that may be required for changing seat width through the Equipment Configurator.

NOTE: Extruded back canes come in one back height only. Back cane material height for the contoura extruded back canes measure approximately 20-1/2". Overall back height from the seat pan to top of the extruded back cane is approximately 23". Only the Back Assembly needs to be replaced when changing back heights.

#3 Curve Contoura Back Cushion Assembly

Overall Back Height	Material Back Height	16" Wide	18" Wide	20" Wide	22" Wide	24" Wide
22" High	17" High	1166146 See Note(s) B	1166147 See Note(s) B	1166148 See Note(s) B	1166149 See Note(s) B	1166150 See Note(s) B
25" High	20" High	1163248 See Note(s) B	1163250 See Note(s) B	1163252 See Note(s) B	1163254 See Note(s) B	1163256 See Note(s) B
28" High	23" High	1163249 See Note(s) B	1163251 See Note(s) B	1163253 See Note(s) B	1163255 See Note(s) B	1163257 See Note(s) B

NOTE: B - Includes items 4 and 5. Back Cover and Foam are sold as a Back Cushion Assembly only.

Overall Back Height includes the spacing gap dimension from the bottom of the Back Assembly to the Seat Pan

#3 Mesh Curve Contoura Back Cushion Assembly (CTBMSH)

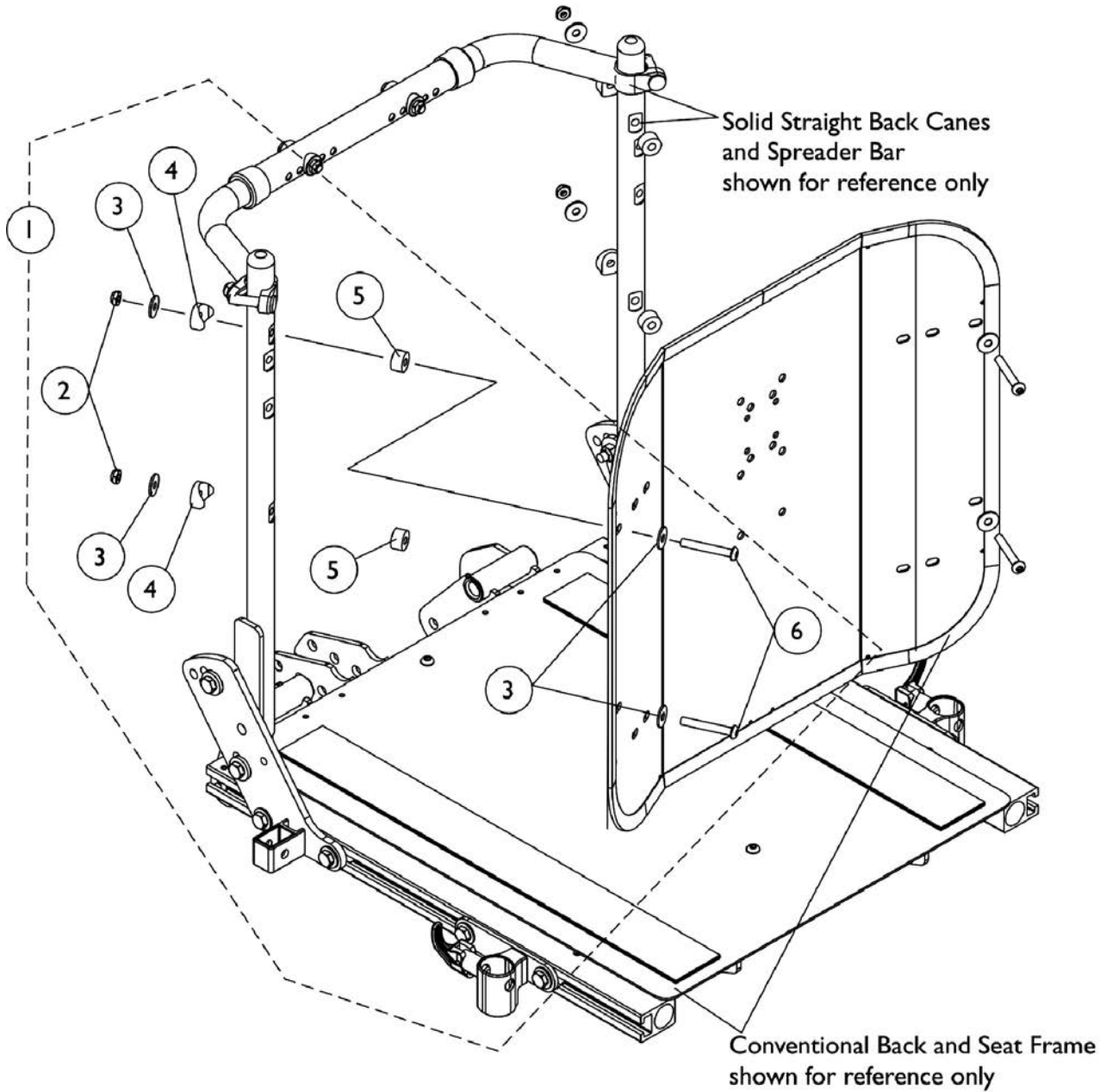
Dimensions	16" Wide	18" Wide	20" Wide	22" Wide	24" Wide
22" High	1166141 See Note(s) B	1166142 See Note(s) B	1166143 See Note(s) B	1166144 See Note(s) B	1166145 See Note(s) B
25" High	1171642 See Note(s) B	1171644 See Note(s) B	1171646 See Note(s) B	1171648 See Note(s) B	1171650 See Note(s) B
28" High	1171643 See Note(s) B	1171645 See Note(s) B	1171647 See Note(s) B	1171649 See Note(s) B	1171651 See Note(s) B

NOTE: B - Includes items 4 and 5. Back Cover and Foam are sold as a Back Cushion Assembly only.

Overall Back Height includes the spacing gap dimension from the bottom of the Back Assembly to the Seat Pan

Back Mounting Hardware

Conventional Tilt - Before 5/15/09



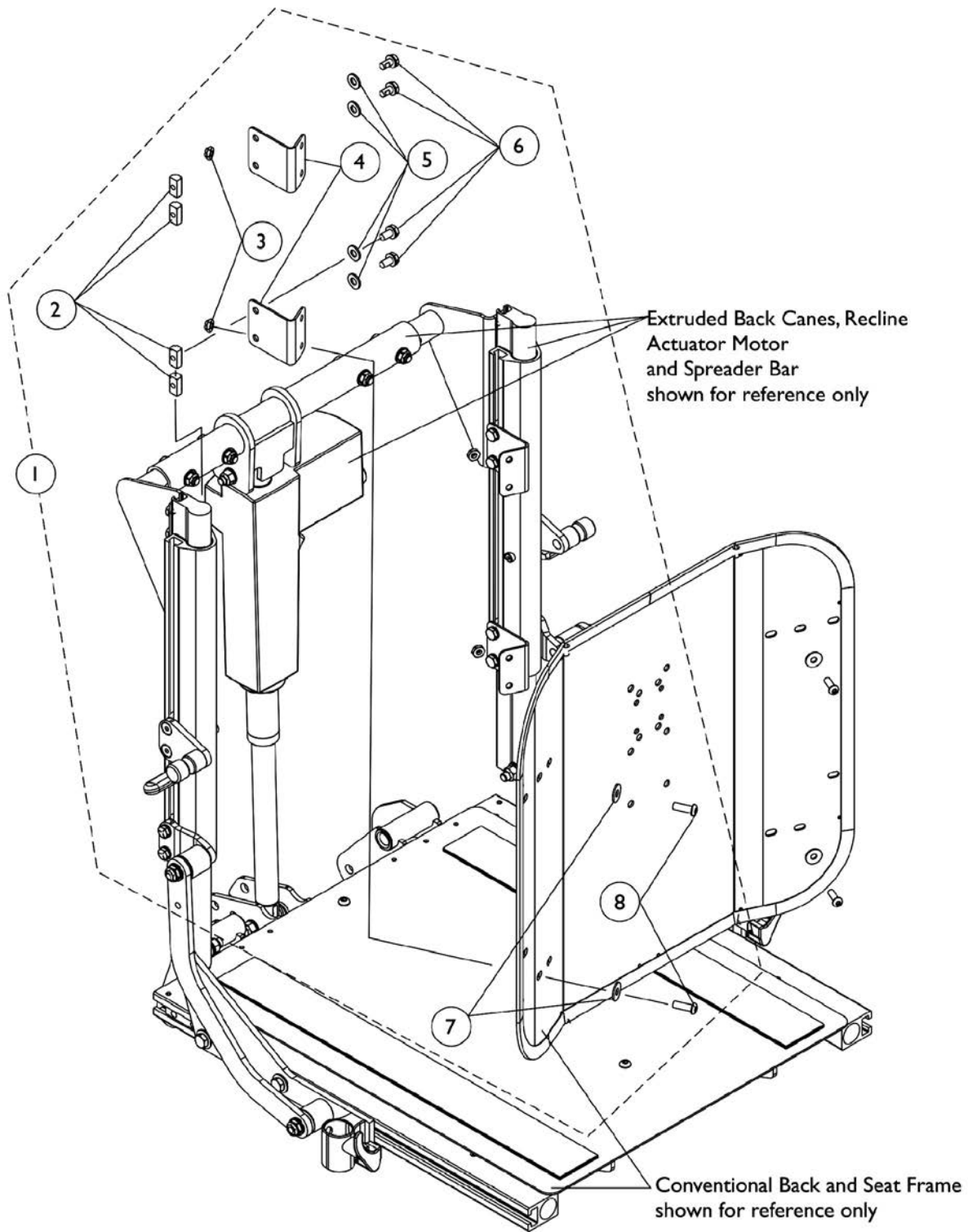
Back Mounting Hardware Conventional Tilt - Before 5/15/09

Item Number	Note	Part Number	Description	Quantity Per	
				Package	Assembly
1	A	1125757	Kit, Back Mounting Hardware For Conventional Tilt	1	1
2			Locknut (1/4-20)	1	4
3			Washer (1/4 x 23/32 x 1/16")	1	8
4			Spacer, Coved (1/4 x 7/8 x 7/16")	1	4
5			Spacer (1/4 x 5/8 x 3/8")	1	4
6			Screw, Socket Button Head (1/4-20 x 2")	1	4

NOTE: A - Includes items 2-6

Back Mounting Hardware

Conventional Recline and Tilt/Recline - Before 5/15/09



Back Mounting Hardware

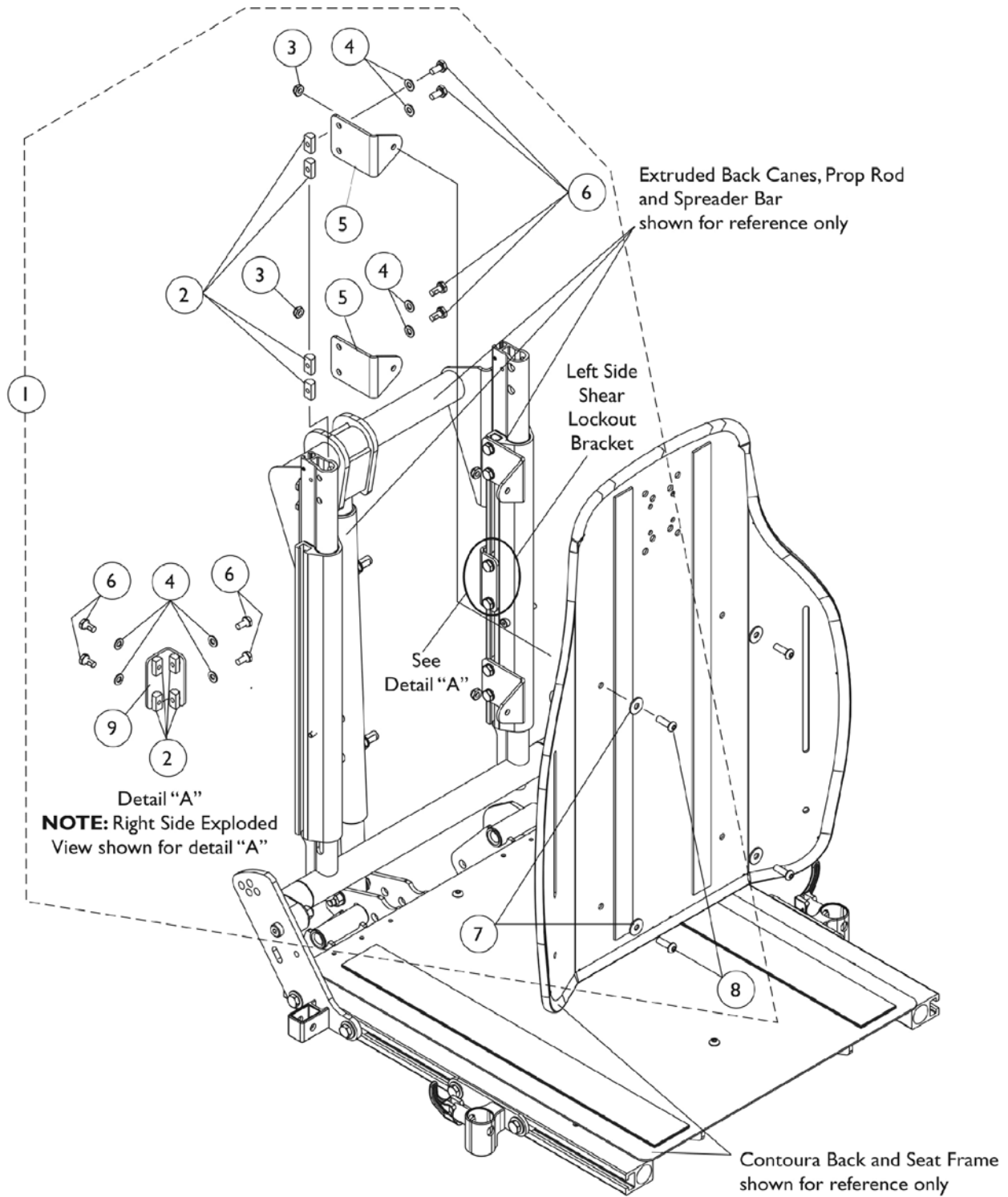
Conventional Recline and Tilt/Recline - Before 5/15/09

Item Number	Note	Part Number	Description	Quantity Per	
				Package	Assembly
1	A	1125756	Kit, Back Mounting Hardware For Conventional Recline and Tilt/Recline	1	1
2			T-Nut (1/4-20)	1	8
3			Locknut (1/4-20)	1	4
4			NLA - Bracket, Angled Back, Black	1	4
5			Washer (1/4 x 1/2 x 1/16")	1	8
6			Screw, Hex Head w/ Patch (1/4-20 x 1/2")	1	8
7			Washer (1/4 x 23/32 x 1/16")	1	4
8			Screw, Socket Button (1/4-20 x 3/4")	1	4

NOTE: A - Includes items 2-8

Back Mounting Hardware

Contoura Tilt - Before 5/15/09



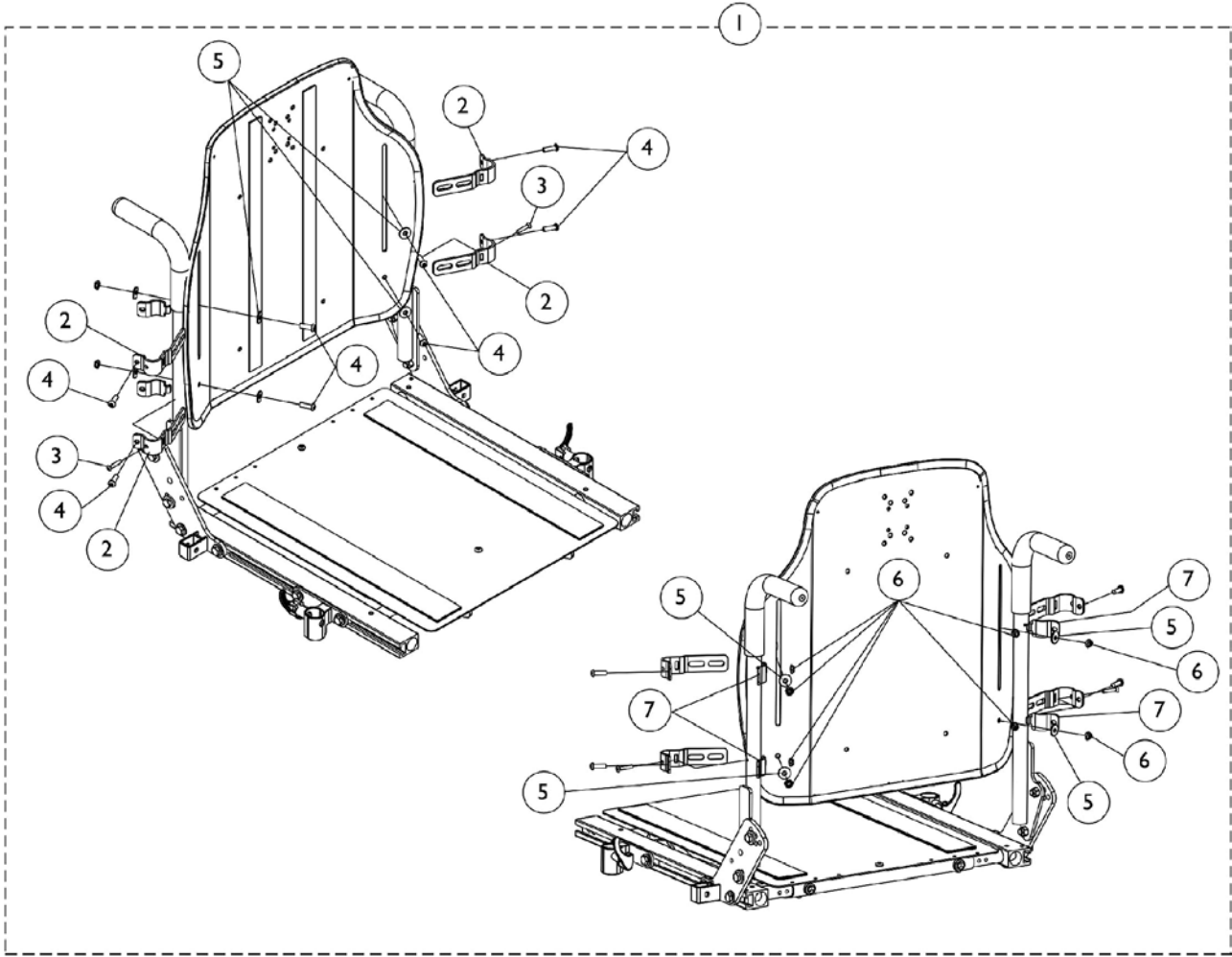
Back Mounting Hardware Contoura Tilt - Before 5/15/09

Item Number	Note	Part Number	Description	Quantity Per	
				Package	Assembly
1	A	1125755	Kit, Back Mounting Hardware For Contoura Tilt	1	1
2			T-Nut (1/4-20)	1	16
3			Locknut (1/4-20)	1	4
4			Washer (1/4 x 1/2 x 1/16")	1	16
5			NLA - Bracket, Back Mounting, Black	1	4
6			Screw, Hex Head w/ Patch (1/4-20 x 1/2")	1	16
7			Washer (1/4 x 23/32 x 1/16")	1	4
8			Screw, Socket Button (1/4-20 x 3/4")	1	4
9			NLA - Bracket, Contoura Shear Lock Out, Black	1	2

NOTE: A - Includes items 2-9

Contoura Back Mounting Hardware

ADJASBA Only - Before 5/15/09



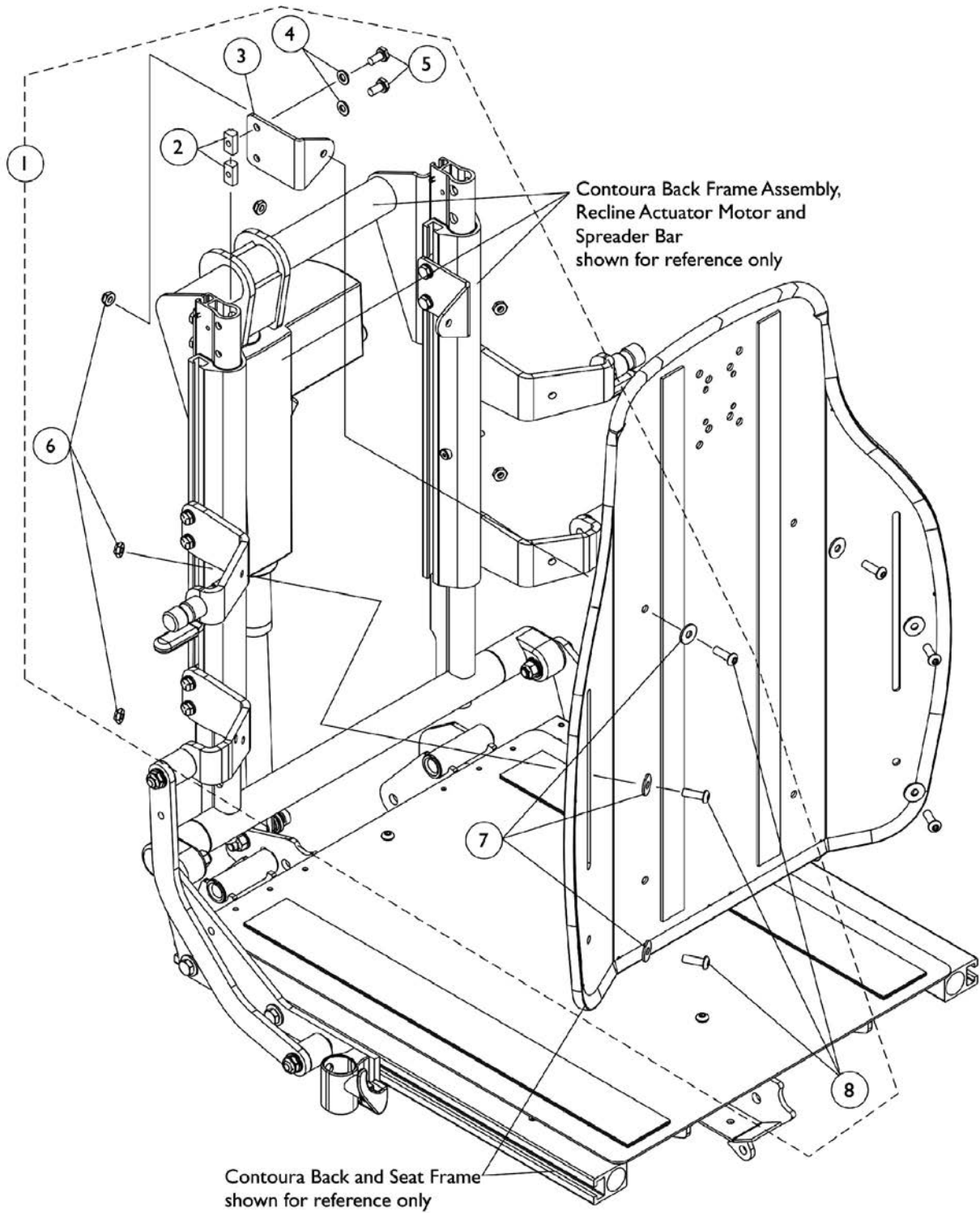
Contoura Back Mounting Hardware ADJASBA Only - Before 5/15/09

Item Number	Note	Part Number	Description	Quantity Per	
				Package	Assembly
1	A	1140945	Kit, Contoura Back Mounting Hdwr. - Round Canes	1	1
2			Bracket, Back Mounting, Front, Black	1	4
3			Screw, Phillips Oval Head (#10-16 x 7/8")	1	2
4			Screw, Socket Button (1/4-20 x 3/4")	1	8
5			Washer (1/4 x 23/32 x 1/16")	1	8
6			Locknut (1/4-20)	1	8
7			Bracket, Back Mounting, Rear, Black	1	4

NOTE: A - Includes items 2-7

Back Mounting Hardware

Contoura Recline and Tilt/Recline - Before 5/15/09



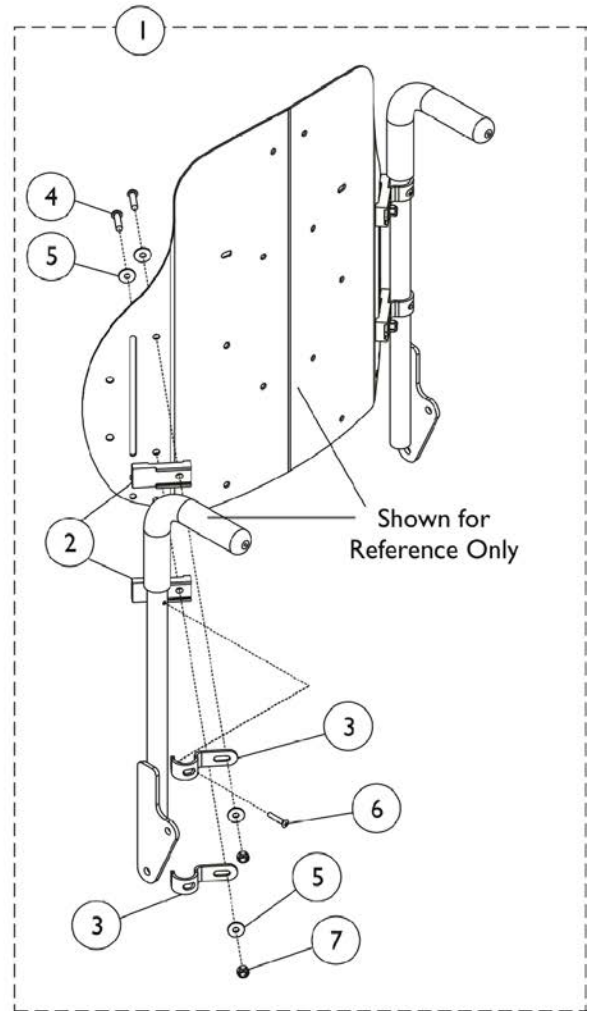
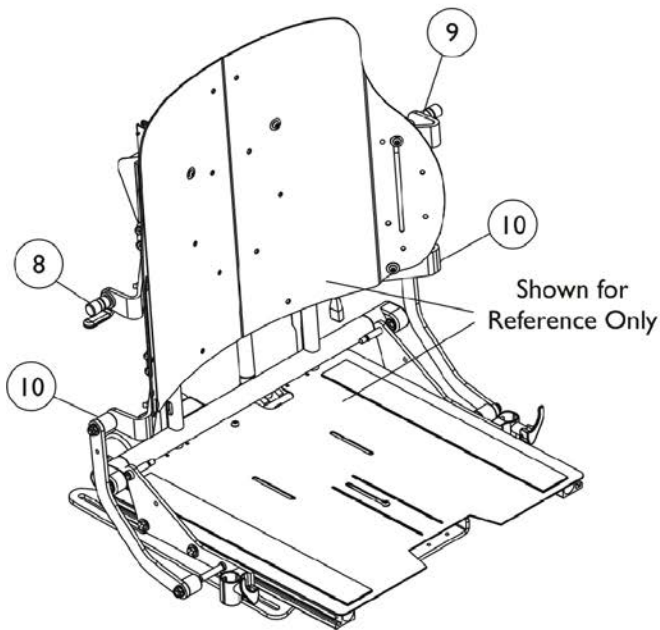
Back Mounting Hardware

Contoura Recline and Tilt/Recline - Before 5/15/09

Item Number	Note	Part Number	Description	Quantity Per	
				Package	Assembly
1	A	1125754	Kit, Back Mounting Hardware For Contoura Recline and Tilt/Recline	1	1
2			T-Nut (1/4-20)	1	4
3			NLA - Bracket, Back Mounting, Black	1	2
4			Washer (1/4 x 1/2 x 1/16")	1	4
5			Screw, Hex Head w/ Patch (1/4-20 x 1/2")	1	4
6			Locknut (1/4-20)	1	6
7			Washer (1/4 x 23/32 x 1/16")	1	6
8			Screw, Socket Button (1/4-20 x 3/4")	1	6

NOTE: A - Includes items 2-8

Curve Contoura Mounting Back Hardware - After 5/14/09

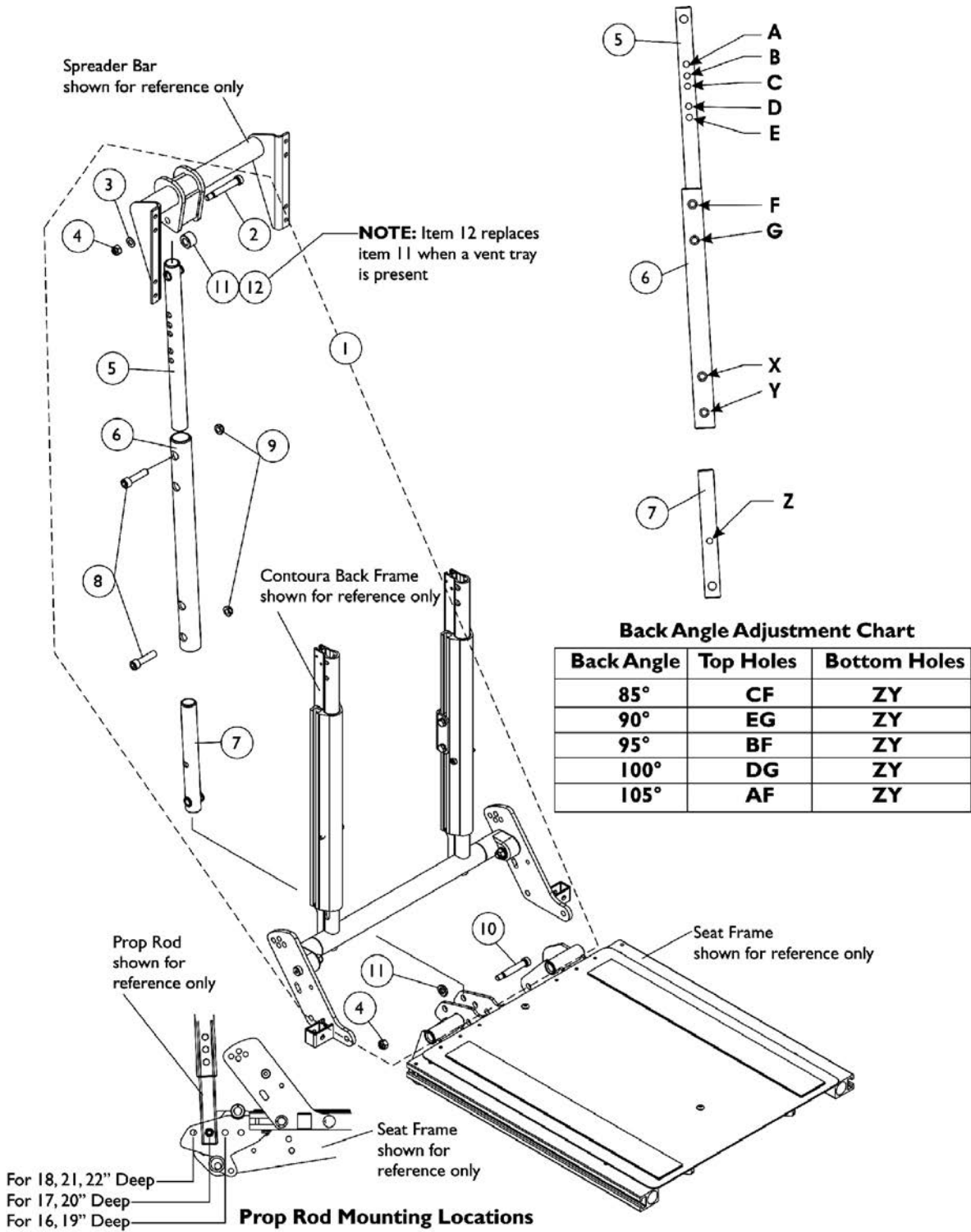


Curve Contoura Mounting Back Hardware - After 5/14/09

Item Number	Note	Part Number	Description	Quantity Per	
				Package	Assembly
1	A	1157925	Kit, Metal Curved and Curve Contoura Back Mounting Hardware	1	1
2			Spacer, Back Pan, Black	1	4
3			Hook, Back Assembly Mounting	1	4
4			Screw, Socket Button Head (1/4-20 x 1")	1	4
5			Washer (1/4 x 23/32 x 1/16")	1	8
6			Screw, Phillips Oval Head (#10-16 x 7/8")	1	2
7			Locknut (1/4-20)	1	4

NOTE: A - Includes Items 2 thru 7.

Prop Rod Assembly Contoura Tilt

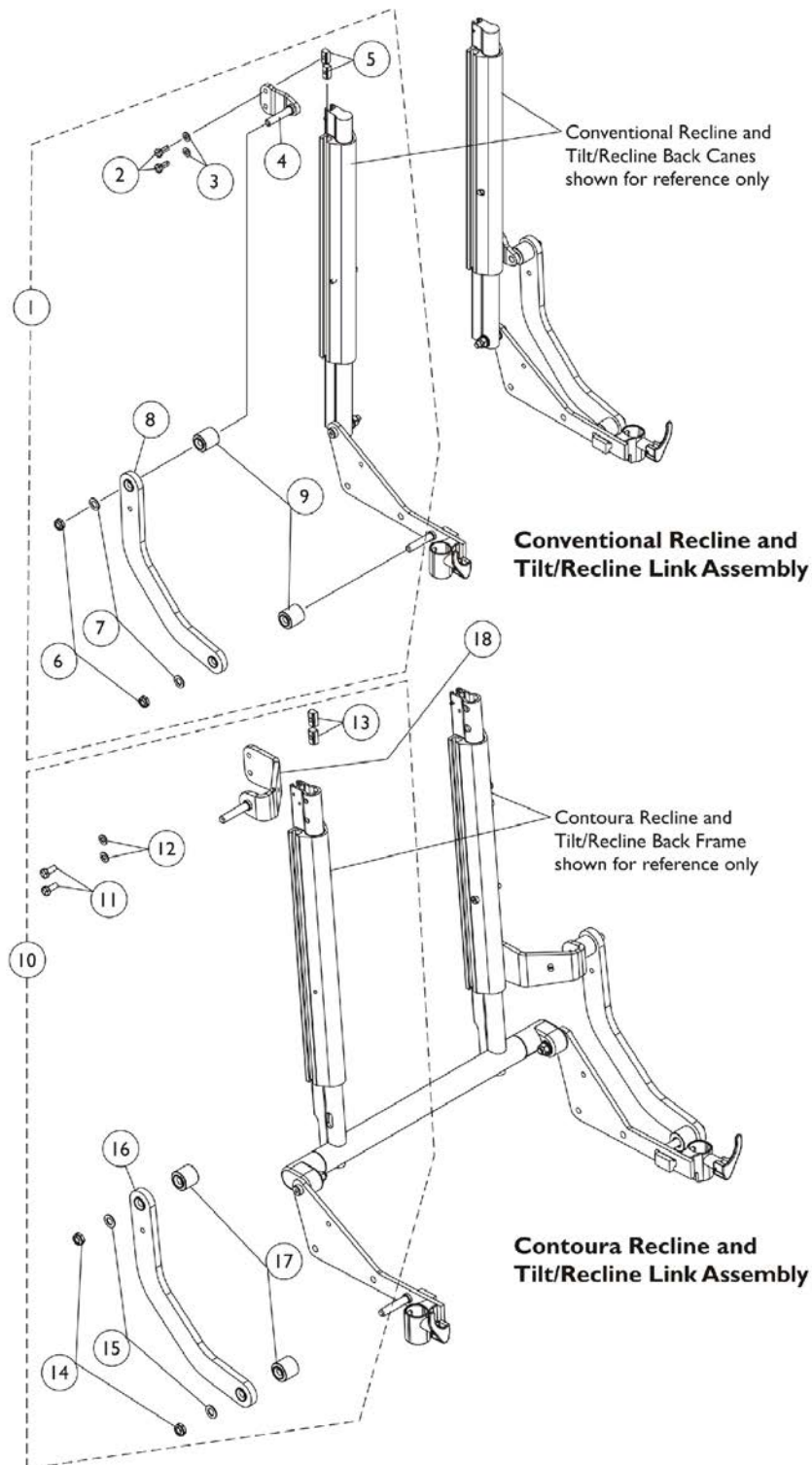


Prop Rod Assembly Contoura Tilt

Item Number	Note	Part Number	Description	Quantity Per	
				Package	Assembly
1	B,C,A	1125764	Kit, Prop Rod Assembly Contoura Tilt	1	1
2			Screw, Shoulder Hex Socket (3/8 x 2", 5/16-18)	1	1
3			Washer, Flat (5/16 x 5/8 x 1/16")	1	1
4			Locknut (5/16-18)	1	2
5			NLA - Kit, Top Prop Rod with Bushings	1	1
6			NLA - Tube, Middle Prop Rod, Black	1	1
7			NLA - Kit, Bottom Prop Rod Tube with Bushings	1	1
8			Screw, Socket Head w/ Patch (3/8-16 x 1-1/2")	1	2
9			Locknut, Low Profile (3/8-16)	1	2
10			Screw, Shoulder Hex Socket Head (3/8 x 1-3/4", 5/16-18)	1	1
11			NLA - Bushing, Actuator Motor (3/8 x 3/4 x 5/32")	1	2
12			Spacer (3/8 x 1 x 1/2")	1	1

NOTE: A - Includes items 2-12
 B - When a vent tray is present, item 11 located on the top side of the prop rod is replaced with item 12
 C - Relocation of holes were made 7/5/05 for items 5, 6 and 7. Item 1 must be ordered for chairs manufactured before 7/5/05.

Back Recline Shear Link Assemblies



Back Recline Shear Link Assemblies

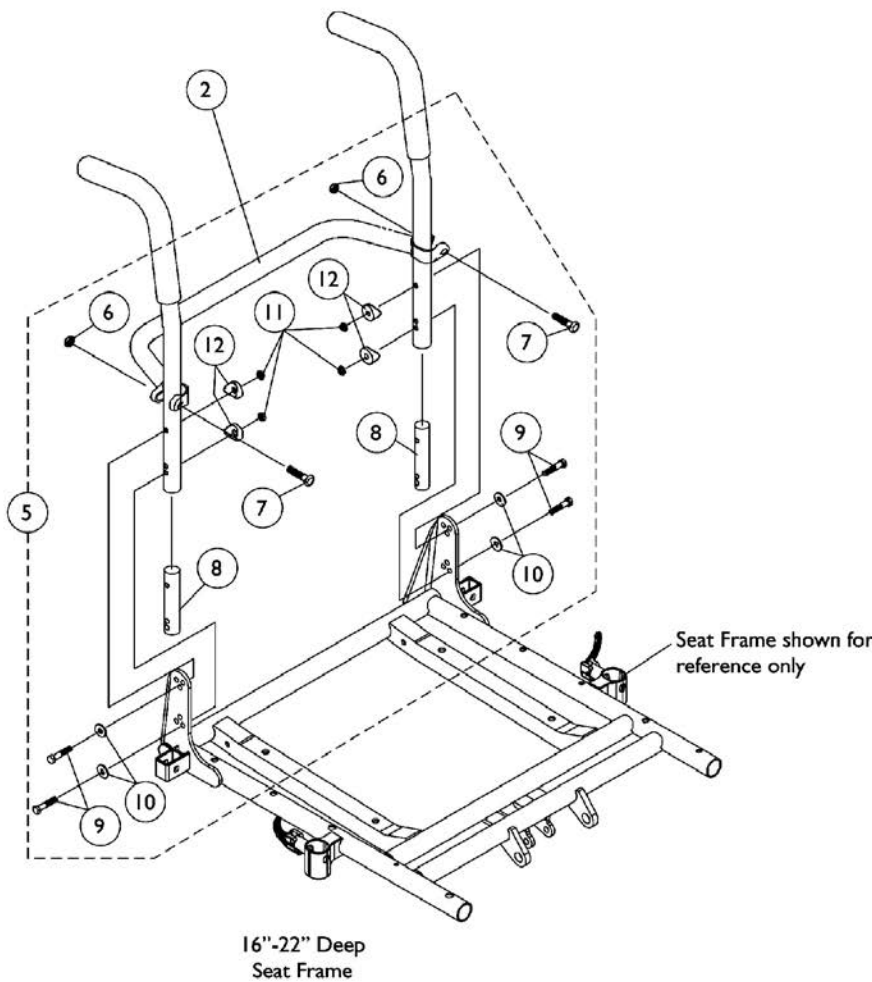
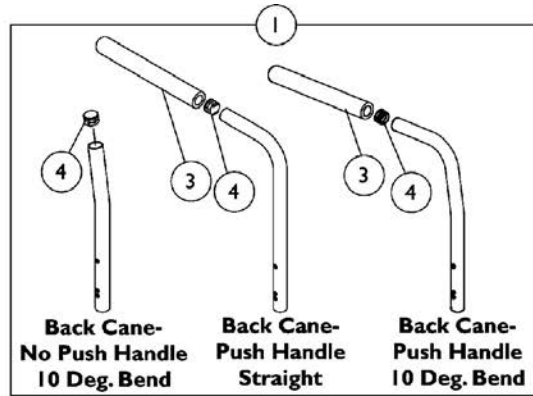
Item Number	Note	Part Number	Description	Quantity Per	
				Package	Assembly
1	A	1125758	Kit, Recline Shear Link Assembly Conventional (Pair)	1	1
2			Screw, Hex Head w/ Patch (1/4-20 x 5/8")	1	4
3			Washer (1/4 x 1/2 x 1/16")	1	4
4			Plate, Shear Adapter	1	2
5			T-Nut (1/4-20)	1	4
6			Locknut, Low Profile (3/8-16)	1	4
7			Washer, Flat (3/8 x 11/16 x 1/16")	1	4
8			Link, Recline Shear, Black - Right	1	1
8			Link, Recline Shear, Black - Left	1	1
9			Stand-Off, Recline Shear Link	1	4
10	B	1168997	Kit, Recline Shear Link Assembly, Contoura/Curve Contoura (Pair)	1	1
11			Screw, Hex Head w/ Patch (1/4-20 x 5/8")	1	4
12			Washer (1/4 x 1/2 x 1/16")	1	4
13			T-Nut (1/4-20)	1	4
14			Locknut, Low Profile (3/8-16)	1	4
15			Washer, Flat (3/8 x 11/16 x 1/16")	1	4
16			Link, Recline Shear, Black - Right	1	1
16			Link, Recline Shear, Black - Left	1	1
17			Stand-Off, Recline Shear Link	1	4
18	C	1131413	Adapter, Recline Shear Contoura (16" W)	1	2
18	C	1122580	Adapter, Recline Shear Contoura (18" W)	1	2
18	C	1122623	Adapter, Recline Shear Contoura (20" W)	1	2
18	C	1131414	Adapter, Recline Shear Contoura (22" W)	1	2
18	C	1131415	Adapter, Recline Shear Contoura (24" W)	1	2
18	D	1161800	Adapter, Recline Shear, Curve Contoura (16" W)	1	2
18	D	1161653	Adapter, Recline Shear, Curve Contoura (18" W)	1	2
18	D	1161658	Adapter, Recline Shear, Curve Contoura (20" W)	1	2
18	D	1161959	Adapter, Recline Shear, Curve Contoura (22" W)	1	2
18	D	1161823	Adapter, Recline Shear, Curve Contoura (24" W)	1	2

NOTE: A - Includes items 2-9. The Recline Shear Link and Recline Shear Link Stand-Off were revised as of 6/28/10. The Shear Link is now made of thicker material and the Stand-Off is thinner. The kit is backward compatible to all chairs in the field.
B - Includes items 11-17. The Recline Shear Link and Recline Shear Link Stand-Off were revised as of 6/28/10. The Shear Link is now made of thicker material and the Stand-Off is thinner. The kit is backward compatible to all chairs in the field.
C - Not used for Curve Contoura. For use on Contoura only.
D - Not used for Contoura. For use on Curve Contoura only.

Back Canes, Spreader Bars and Attaching Hardware

Elevate Only For ASBA Seating (Before 7/5/05)

NOTE: Chairs manufactured with a seat width, seat depth or back height of 20" and greater including all heavy duty packages will be equipped with a spreader bar standard.



Back Canes, Spreader Bars and Attaching Hardware

Elevate Only For ASBA Seating (Before 7/5/05)

NOTE: Chairs manufactured with a seat width, seat depth or back height of 20" and greater including all heavy duty packages will be equipped with a spreader bar standard.

Item Number	Note	Part Number	Description	Quantity Per	
				Package	Assembly
1		See Chart	#1 Back Cane Assemblies	--	--
2		See Chart	#2 Spreader Bar	1	1
3		1135506	Package, Foam Hand Grip (9" L)	10	1
4		1134426	Package, Plug Button, Black (3/4")	10	1
5	A	1070457	Kit, Back Cane Attaching Hardware	2	1
6			Locknut (5/16-24)	1	2
7			Screw w/ Lug (5/16-24 x 1-3/8")	1	2
8			Insert, Non-Threaded Back Cane (For Back Heights 20" and Lower)	1	2
9			Screw, Hex Head (1/4-20 x 1-5/8")	1	4
10			Washer (1/4 x 23/32 x 1/16")	1	4
11			Locknut (1/4-20)	1	4
12			Spacer, Coved (1/4 x 11/16 x 1/2")	1	4
5	B	1070458	Kit, Back Cane Attaching Hardware	2	1
6			Locknut (5/16-24)	1	2
7			Screw w/ Lug (5/16-24 x 1-3/8")	1	2
8			NLA - Insert, Non-Threaded Back Cane (For Back Heights 21" and Higher)	1	2
9			Screw, Hex Head (1/4-20 x 1-5/8")	1	4
10			Washer (1/4 x 23/32 x 1/16")	1	4
11			Locknut (1/4-20)	1	4
12			Spacer, Coved (1/4 x 11/16 x 1/2")	1	4

NOTE: A - Includes items 6-12 and used for 16"-20" High Back canes
 B - Includes items 6-12 and used for 21"-24" High Back canes

Back Canes, Spreader Bars and Attaching Hardware

Elevate Only For ASBA Seating (Before 7/5/05)

NOTE: Chairs manufactured with a seat width, seat depth or back height of 20" and greater including all heavy duty packages will be equipped with a spreader bar standard.

#1 Back Cane Assemblies

Back Height	Back Cane- No Push Handle 10 Deg. Bend	Back Cane- Push Handle Straight	Back Cane- Push Handle 10 Deg. Bend
16"	1048992-NLA	1048558	1045575
17"	1048993-NLA	1048559	1045576
18"	1048994-NLA	1048560	1045577
19"	1048995-NLA	1048561	1045578
20"	1048996-NLA	1048562	1045579-NLA
21"	N/A	N/A	1052227-NLA
22"	N/A	N/A	1052230
23"	N/A	N/A	1054521
24"	N/A	N/A	1054524

NOTE: Back Cane Assemblies include Foam Grips and Plug Buttons where shown

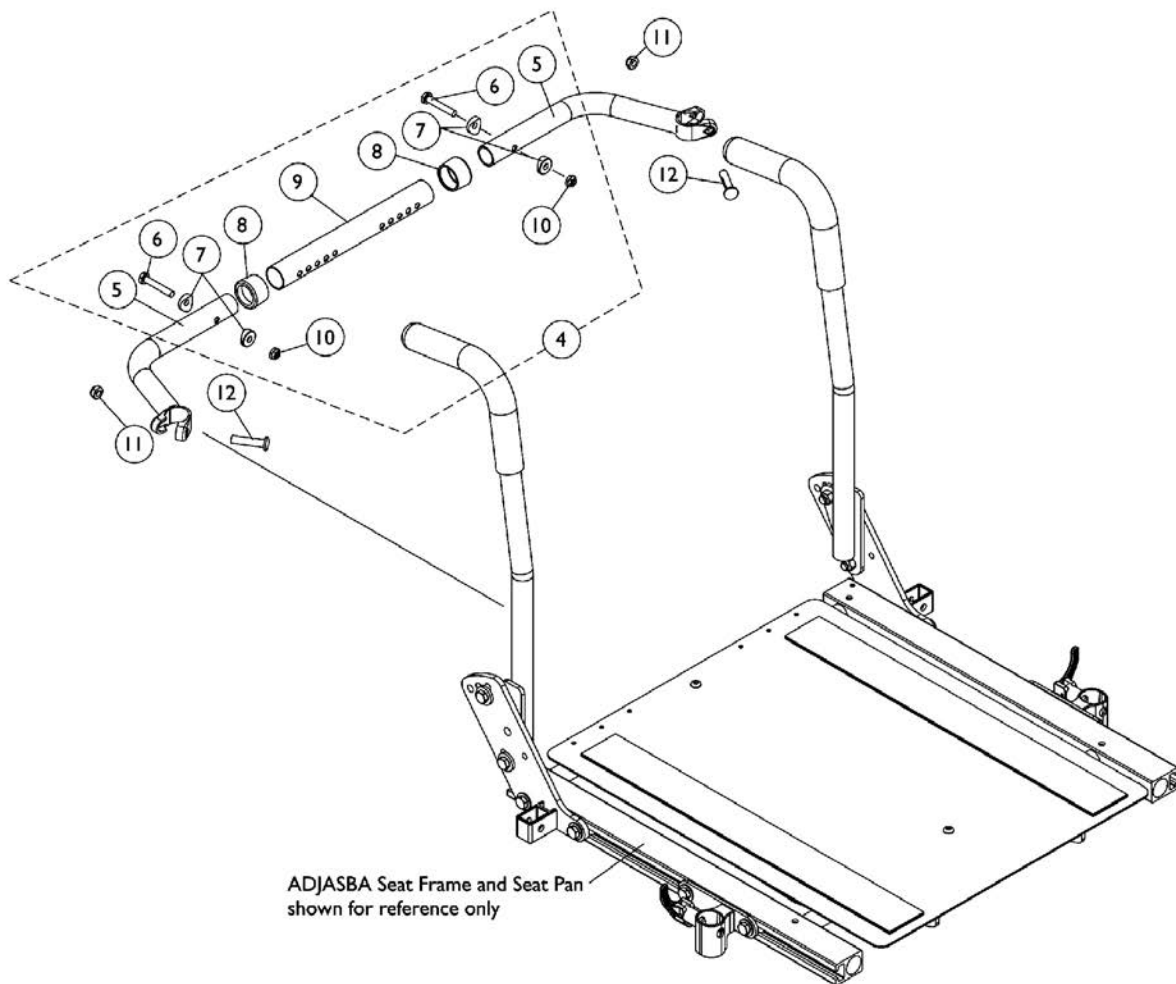
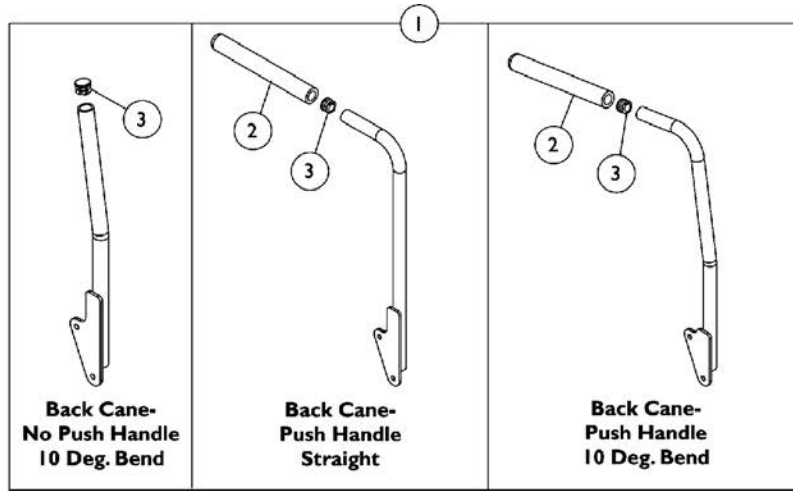
#2 Spreader Bar

Chair Width	Part Number
16"	1043873
17"	1043874
18"	1043875
19"	1043876
20"	1043877
21"	1043878
22"	1043879

Back Canes and Spreader Bars

For ADJASBA Seat (16"-22" Wide) After 7/4/05

Contoura, Curve Contoura, Conventional Backs 16"-22" Wide for ADJASBA Seating do not utilize a Spreader Bar Assembly.



Back Canes and Spreader Bars

For ADJASBA Seat (16"-22" Wide) After 7/4/05

Contoura, Curve Contoura, Conventional Backs 16"-22" Wide for ADJASBA Seating do not utilize a Spreader Bar Assembly.

Item Number	Note	Part Number	Description	Quantity Per	
				Package	Assembly
1		See Chart	#1 Back Cane Assemblies	1	1
2		1135506	Package, Foam Hand Grip (9" L)	10	1
3		1134426	Package, Plug Button, Black (3/4")	10	1
4	A	1125709	Kit, Spreader Bar Assembly (16"-20" Wide)	1	1
5			NLA - Handle, Spreader Bar, Black	1	2
6			Screw, Hex Head (1/4-20 x 1-1/2")	1	2
7			Spacer, Coved (1/4 x 11/16 x 1/2")	1	4
8			Anti-Rattle (1")	1	2
9			Tube, Spreader Bar, Adjustable, Black (16 - 20" W)	1	1
10			Locknut (1/4-20)	1	2
4	A	1125710	Kit, Spreader Bar Assembly 20"-24" Wide	1	1
5			NLA - Handle, Spreader Bar, Black	1	2
6			Screw, Hex Head (1/4-20 x 1-1/2")	1	2
7			Spacer, Coved (1/4 x 11/16 x 1/2")	1	4
8			Anti-Rattle (1")	1	2
9			Tube, Spreader Bar, Adjustable, Black (20 - 24" W)	1	1
10			Locknut (1/4-20)	1	2
11		1025730	Locknut (5/16-24)	1	2
12		1031026	Screw w/ Lug (5/16-24 x 1-3/8")	1	2

NOTE: A - Includes items 5-10

#1 Back Cane Assemblies

Back Height	Back Cane- No Push Handle 10 Deg. Bend Right	Back Cane- No Push Handle 10 Deg. Bend Left	Back Cane- Push Handle Straight Right	Back Cane- Push Handle Straight Left	Back Cane- Push Handle 10 Deg. Bend Right	Back Cane- Push Handle 10 Deg. Bend Left
16"	1134066	1134067	1133793	1133794	1133822	1133823
17"	1134068	1134069	1133795	1133796	1133824	1133825
18"	1134070	1134071	1143334 See Note(s) B	1143335 See Note(s) B	1133826	1133827
19"	1134072	1134073	1133799	1133800	1133828	1133829
20"	1134074	1134075	1133801 See Note(s) C	1133802 See Note(s) C	1133830	1133831
21"	1134076	1134077	1136011 See Note(s) A	1136012 See Note(s) A	1133832	1133833
22"	1134078	1134079	1136013 See Note(s) A	1136014 See Note(s) A	1133834	1133835
23"	1134080	1134081	1136015 See Note(s) A	1136016 See Note(s) A	1133837	1133838

Back Canes and Spreader Bars

For ADJASBA Seat (16"-22" Wide) After 7/4/05

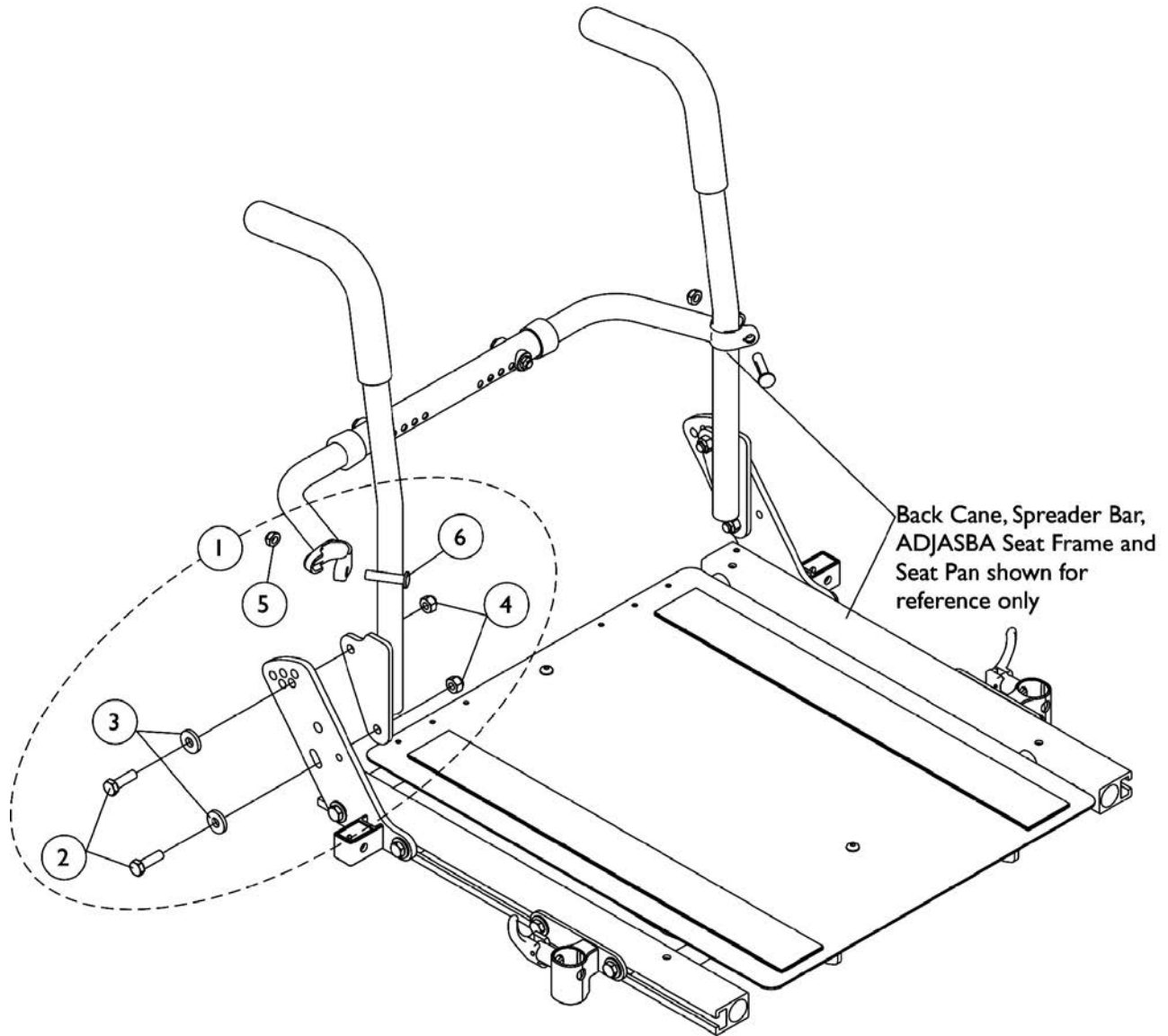
Contoura, Curve Contoura, Conventional Backs 16"-22" Wide for ADJASBA Seating do not utilize a Spreader Bar Assembly.

#1 Back Cane Assemblies

Back Height	Back Cane- No Push Handle 10 Deg. Bend Right	Back Cane- No Push Handle 10 Deg. Bend Left	Back Cane- Push Handle Straight Right	Back Cane- Push Handle Straight Left	Back Cane- Push Handle 10 Deg. Bend Right	Back Cane- Push Handle 10 Deg. Bend Left
24"	1134082	1134083	1136017 See Note(s) A	1136018 See Note(s) A	1133839	1133840
<p>NOTE: A - 21"-24" High Straight Back Canes with Push Handles are only offered On-Chair when the Back Upholstery is omitted B - Wheelchairs manufactured before 5/15/09 with a Contoura Back 25" or 29" high and wheelchairs manufactured after 5/14/09 with a Curve Contoura Back 22" high will use the 18" high Straight Back Cane w/ Push Handle. C - Wheelchairs manufactured after 5/14/09 with a Curve Contoura Back 25" or 28" high will use the 20" high Straight Cane w/ Push Handle.</p> <p>NOTE: Back Cane Assemblies include Foam Grips and Plug Buttons where shown</p>						

Back Cane Attaching Hardware

For ADJASBA Seat (16"-22" Wide) After 7/4/05



Back Cane Attaching Hardware

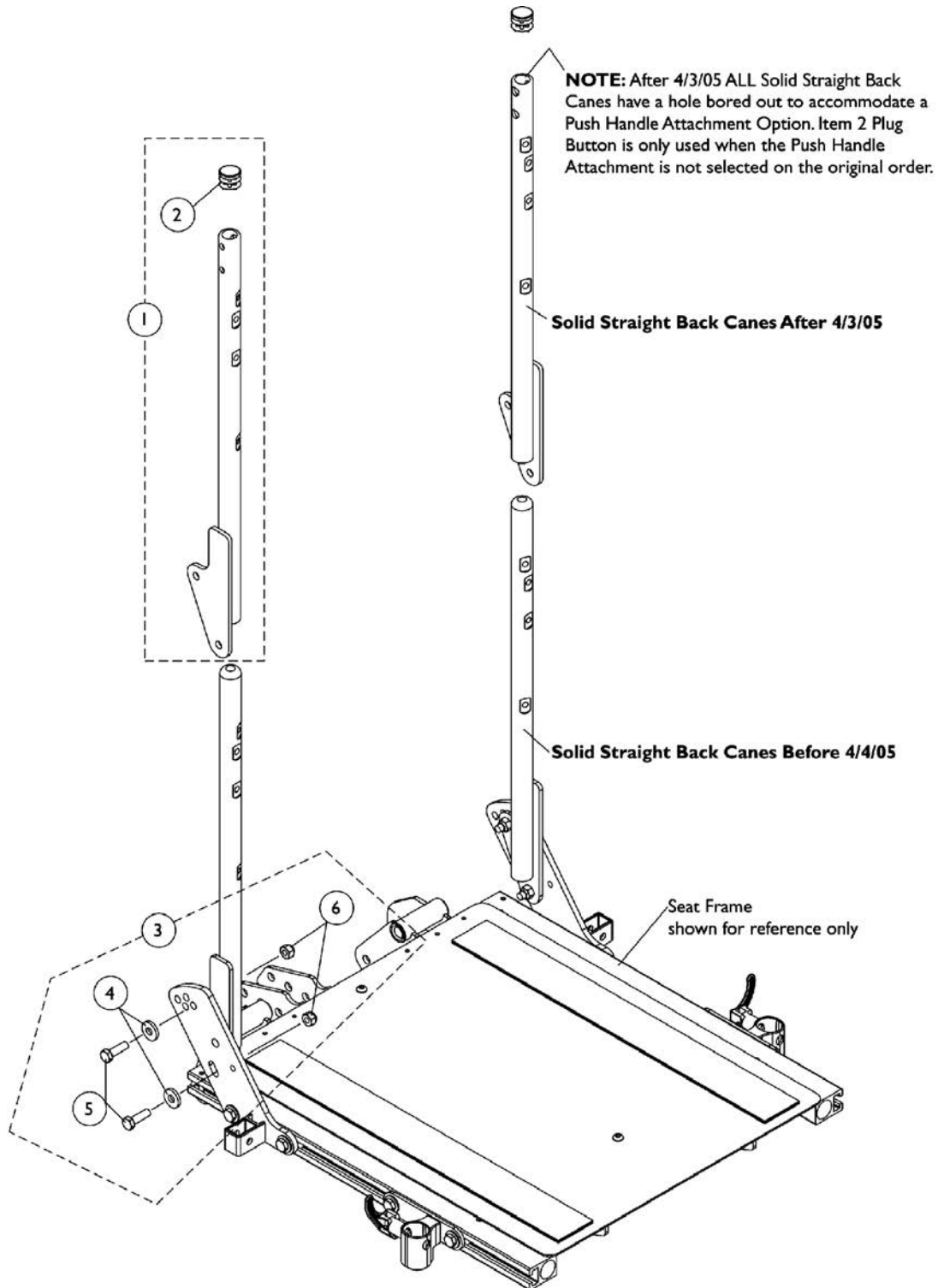
For ADJASBA Seat (16"-22" Wide) After 7/4/05

Item Number	Note	Part Number	Description	Quantity Per	
				Package	Assembly
1	A	1133755	Kit, Back Cane Mounting Hardware (Pair)	2	1
2			Screw, Hex Head (5/16-18 x 1")	1	4
3			Washer, Flat (21/64 x 53/64 x 7/64")	1	4
4			Locknut (5/16-18)	1	4
5			Locknut (5/16-24)	1	2
6			Screw w/ Lug (5/16-24 x 1-3/8")	1	2

NOTE: A - Includes items 2-6

Solid Straight Back Canes w/o Push Handles and Mounting Hardware

Conventional Tilt and Tilt w/ BPO Option



Solid Straight Back Canes w/o Push Handles and Mounting Hardware Conventional Tilt and Tilt w/ BPO Option

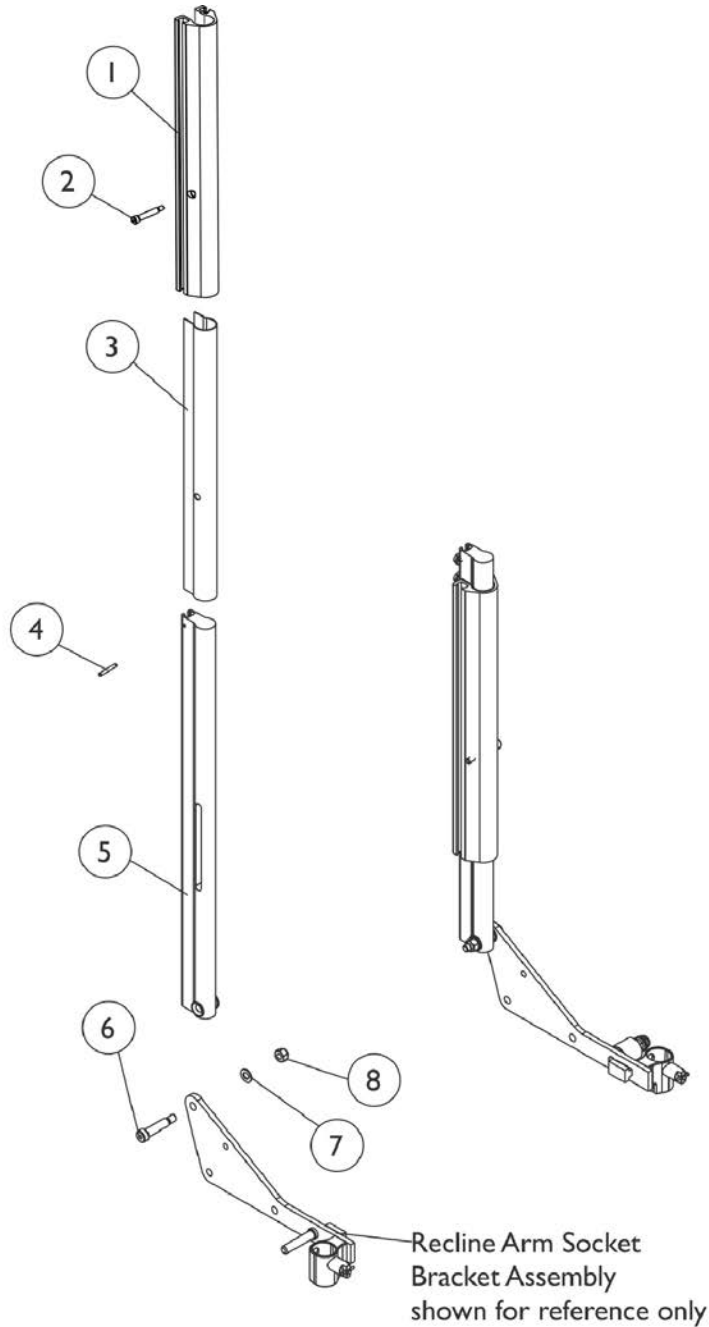
Item Number	Note	Part Number	Description	Quantity Per	
				Package	Assembly
1	A,B	1128394-NLA	NLA - Kit, Back Cane w/o Push Handle, Solid Straight w/ Plug Button - Right	1	1
1	A,B	1128395-NLA	NLA - Kit, Back Cane w/o Push Handle, Solid Straight w/ Plug Button - Left	1	1
1	A	1128396-NLA	NLA - Kit, Back Canes w/o Push Handle, Solid Straight w/ Plug Button (Pair)	1	1
2		1027097	Plug Button, Black (3/4")	1	1
3	C	1125733	Kit, Solid Straight Back Cane w/o Push Handle, Mounting Hardware	1	1
4			Washer, Flat (21/64 x 53/64 x 7/64")	1	2
5			Screw, Hex Head (5/16-18 x 1")	1	2
6			Locknut (5/16-18)	1	2
4		1079247	Washer, Flat (21/64 x 53/64 x 7/64")	1	2
5		1028478	Screw, Hex Head (5/16-18 x 1-1/4")	1	2
6		1026158	Locknut (5/16-18)	1	2

NOTE: A - Back height from the seat pan to the top of the back cane will measure approximately 20-1/2" high.
B - After 4/3/05 ALL Solid Straight Back Canes have a hole bored out to accommodate a Push Handle Attachment Option. For chairs manufactured before 4/4/05 it is recommended to order back canes in pairs to match.
C - Includes items 4-6

Back Canes, Slide Blocks and Sleeves

For Conventional Recline, BPO Recline & Tilt/Recline

Extruded Back Cane material comes in one height only and measures approximately 20-1/2" and the overall back height from the seat pan to the top of the extruded cane measures approximately 22-1/2" high. Only the Back Assembly needs to be replaced when changing back heights.



Conventional Recline and Tilt/Recline

SHEP_155A

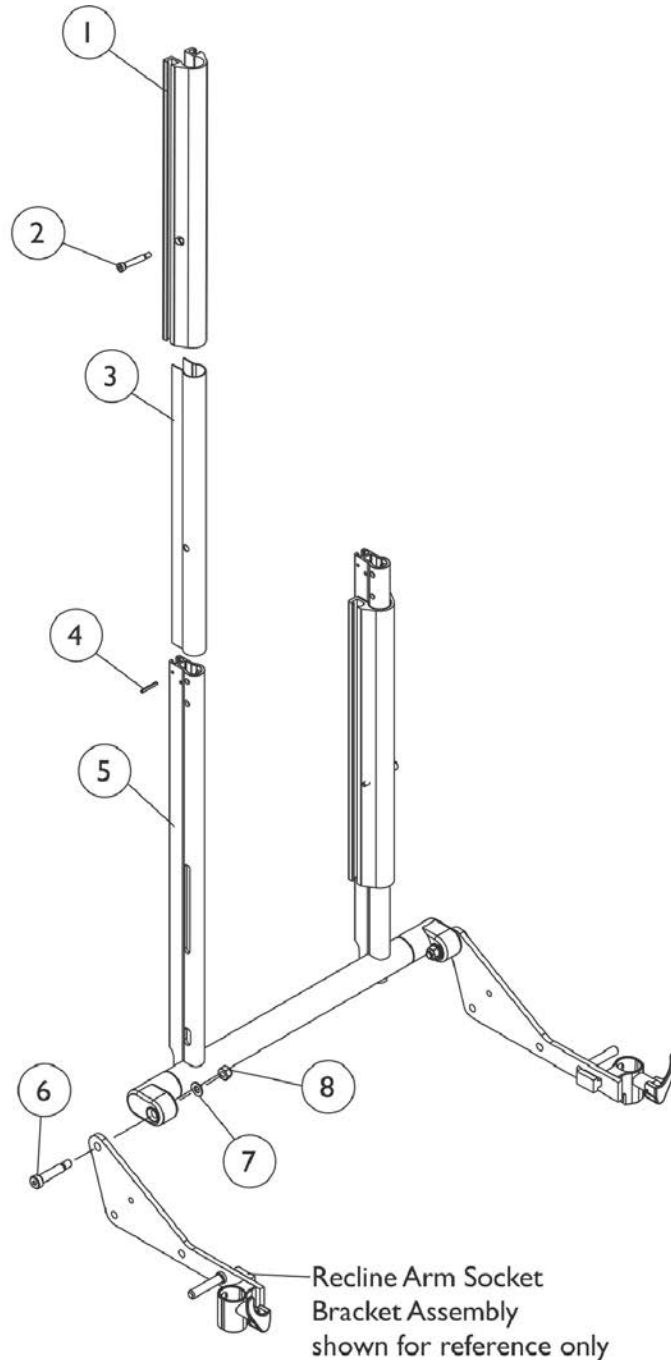
Back Canes, Slide Blocks and Sleeves For Conventional Recline, BPO Recline & Tilt/Recline

Extruded Back Cane material comes in one height only and measures approximately 20-1/2" and the overall back height from the seat pan to the top of the extruded cane measures approximately 22-1/2" high. Only the Back Assembly needs to be replaced when changing back heights.

Item Number	Note	Part Number	Description	Quantity Per	
				Package	Assembly
1		1122263	Block, Slide Back - Left	1	1
1		1124693	Block, Slide Back - Right	1	1
2		1000212	Screw, Shoulder Hex Socket (1/4 x 1-1/4", #10-24)	1	2
3		1122464	Sleeve, Back Slide (15-1/4" L)	1	2
4		1119847	Pin, Roll (1/8 x 1")	1	2
5		1122560	Cane, Back, Extruded Conventional, Black - Right/Left	1	2
6		1062604	Screw, Shoulder Hex Socket (3/8 x 1-1/4", 5/16-18)	1	2
7		1025704	Washer, Flat (5/16 x 5/8 x 1/16")	1	2
8		1026158	Locknut (5/16-18)	1	2

Back Frame, Slide Blocks and Sleeves For Contoura Seating

Back Cane material height measures approximately 20-1/2" and the overall back height from the seat pan to the top of the extruded cane measures approximately 23" high. Only the Back Assembly needs to be replaced when changing back heights.



Contoura Tilt, Recline and Tilt/Recline

SHEP_I56A

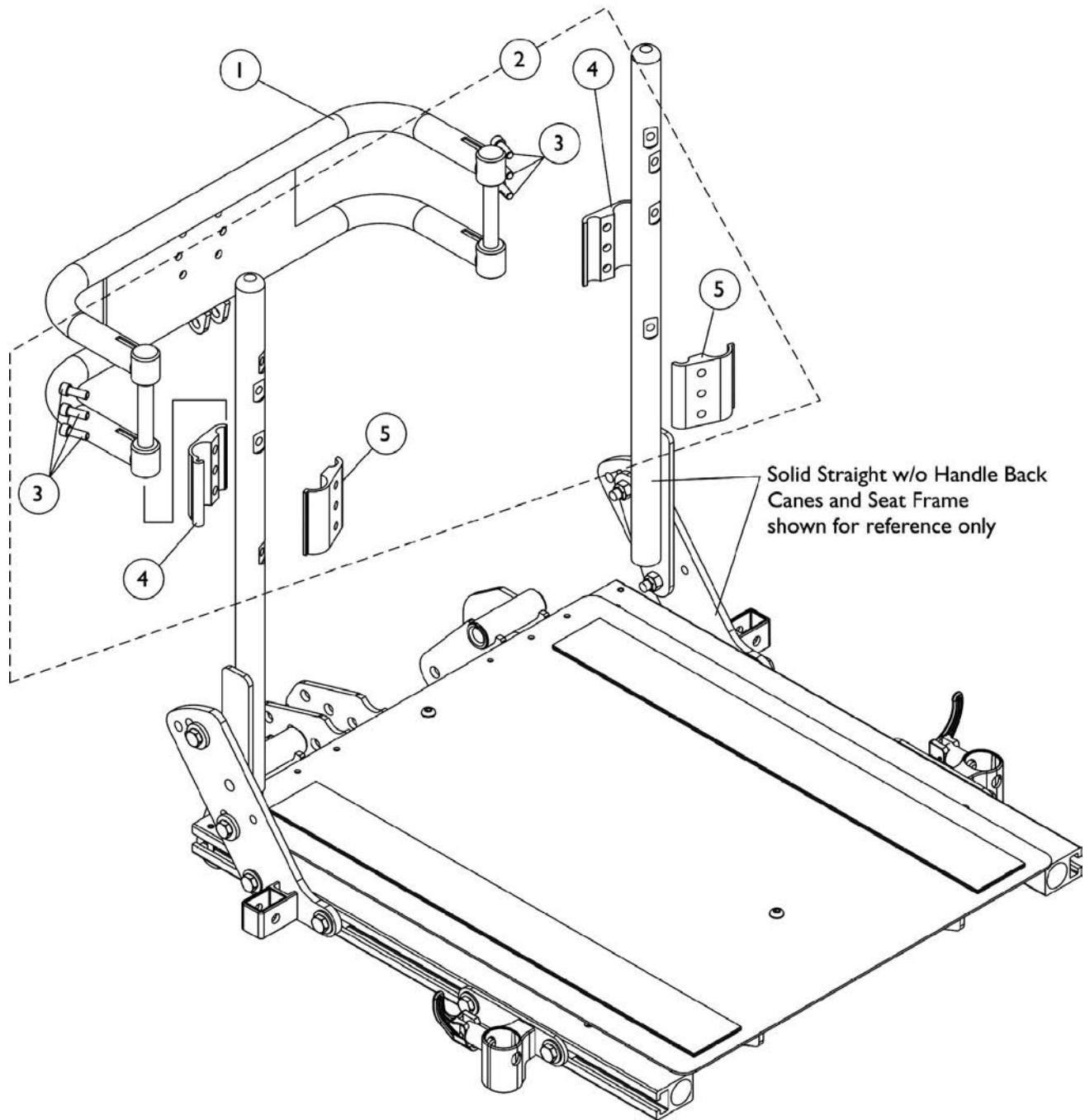
Back Frame, Slide Blocks and Sleeves For Contoura Seating

Back Cane material height measures approximately 20-1/2" and the overall back height from the seat pan to the top of the extruded cane measures approximately 23" high. Only the Back Assembly needs to be replaced when changing back heights.

Item Number	Note	Part Number	Description	Quantity Per	
				Package	Assembly
1		1122263	Block, Slide Back - Left	1	1
1		1124693	Block, Slide Back - Right	1	1
2		1000212	Screw, Shoulder Hex Socket (1/4 x 1-1/4", #10-24)	1	2
3		1122464	Sleeve, Back Slide (15-1/4" L)	1	2
4		1119847	Pin, Roll (1/8 x 1")	1	2
5		1131422	Frame, Back, Contoura, Black (16" W)	1	1
5		1122459	Frame, Back, Contoura, Black (18" W)	1	1
5		1122463	Frame, Back, Contoura, Black (20" W)	1	1
5		1131423	Frame, Back, Contoura, Black (22" W)	1	1
5		1131424	Frame, Back, Contoura, Black (24" W)	1	1
6		1062604	Screw, Shoulder Hex Socket (3/8 x 1-1/4", 5/16-18)	1	2
7		1025704	Washer, Flat (5/16 x 5/8 x 1/16")	1	2
8		1026158	Locknut (5/16-18)	1	2

Spreader Bar Assembly, Double

For Conventional Tilt w/ Vent and Tilt w/ BPO Option



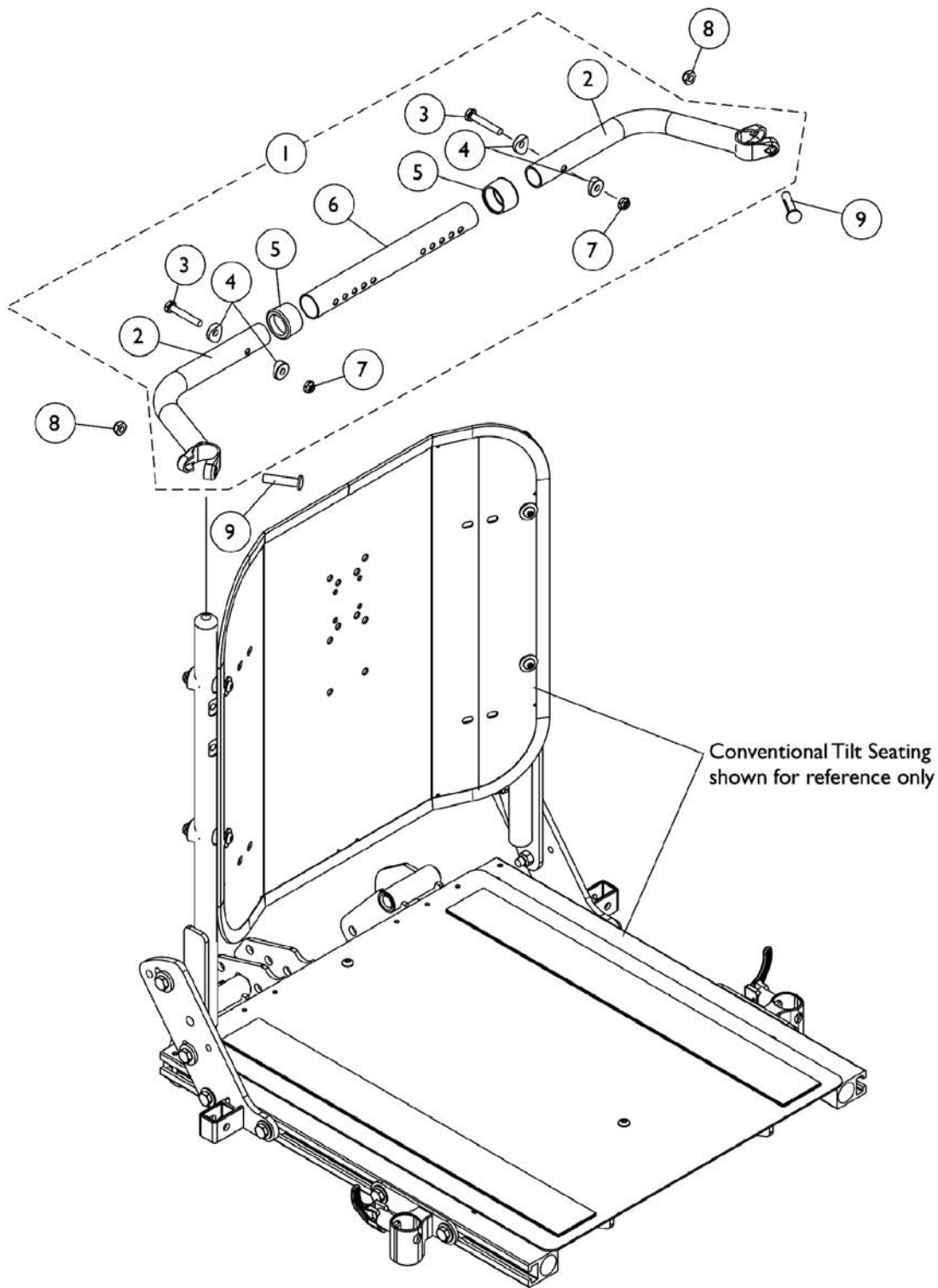
Spreader Bar Assembly, Double

For Conventional Tilt w/ Vent and Tilt w/ BPO Option

Item Number	Note	Part Number	Description	Quantity Per	
				Package	Assembly
1		0013602	Bar, Push, Black (16" W)	1	1
1		0013702	Bar, Push, Black (17" W)	1	1
1		0013802	Bar, Push, Black (18" W)	1	1
1		0013902	Bar, Push, Black (19" W)	1	1
1		0014002	Bar, Push, Black (20" W)	1	1
1		0014102	Bar, Push, Black (21" W)	1	1
1		0014202	Bar, Push, Black (22" W)	1	1
1		0284202-NLA	NLA - Bar, Push, Black (23" W)	1	1
1		0284302-NLA	NLA - Bar, Push, Black (24" W)	1	1
2		1125761	Kit, Double Spreader Bar Mounting Hardware	1	1
3			Screw, Socket Head (1/4-20 x 5/8")	1	6
4			Half Clamp, Threaded Holes (7/8" Dia. Back Canes)	1	2
5			Half Clamp, Un-Threaded Holes (7/8" Dia. Back Canes)	1	2

Spreader Bar Assembly

Conventional Tilt without Vent



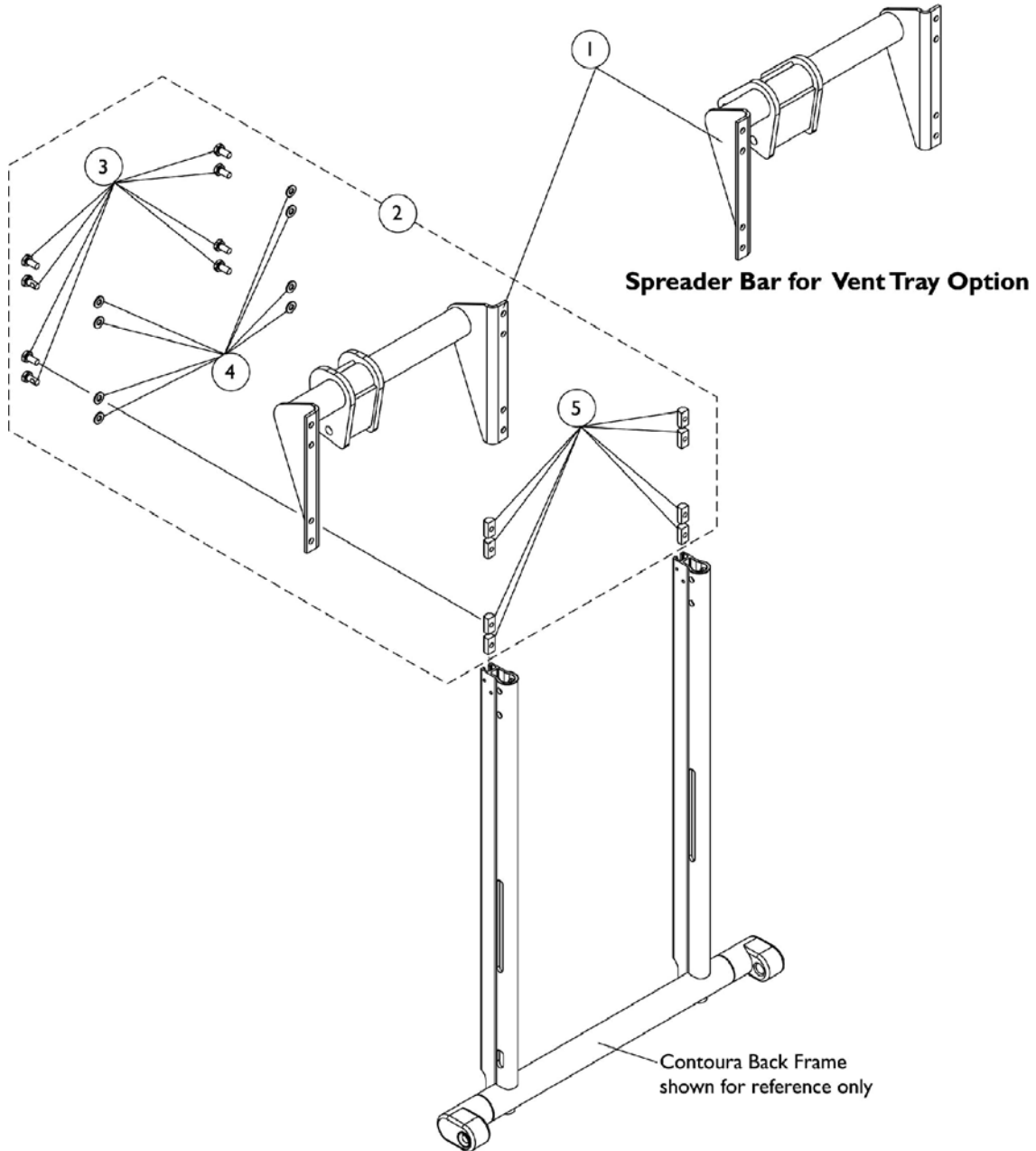
Spreader Bar Assembly Conventional Tilt without Vent

Item Number	Note	Part Number	Description	Quantity Per	
				Package	Assembly
1	A	1125709	Kit, Spreader Bar Assembly (16"-20" Wide)	1	1
2			NLA - Handle, Spreader Bar, Black	1	2
3			Screw, Hex Head (1/4-20 x 1-1/2")	1	2
4			Spacer, Coved (1/4 x 11/16 x 1/2")	1	4
5			Anti-Rattle (1")	1	2
6			Tube, Spreader Bar, Adjustable, Black (16 - 20" W)	1	1
7			Locknut (1/4-20)	1	2
1	A	1125710	Kit, Spreader Bar Assembly 20"-24" Wide	1	1
2			NLA - Handle, Spreader Bar, Black	1	2
3			Screw, Hex Head (1/4-20 x 1-1/2")	1	2
4			Spacer, Coved (1/4 x 11/16 x 1/2")	1	4
5			Anti-Rattle (1")	1	2
6			Tube, Spreader Bar, Adjustable, Black (20 - 24" W)	1	1
7			Locknut (1/4-20)	1	2
8		1025730	Locknut (5/16-24)	1	2
9		1031026	Screw w/ Lug (5/16-24 x 1-3/8")	1	2

NOTE: A - Includes items 2-7

Spreader Bar Assembly

Contoura Tilt, Recline and Tilt/Recline

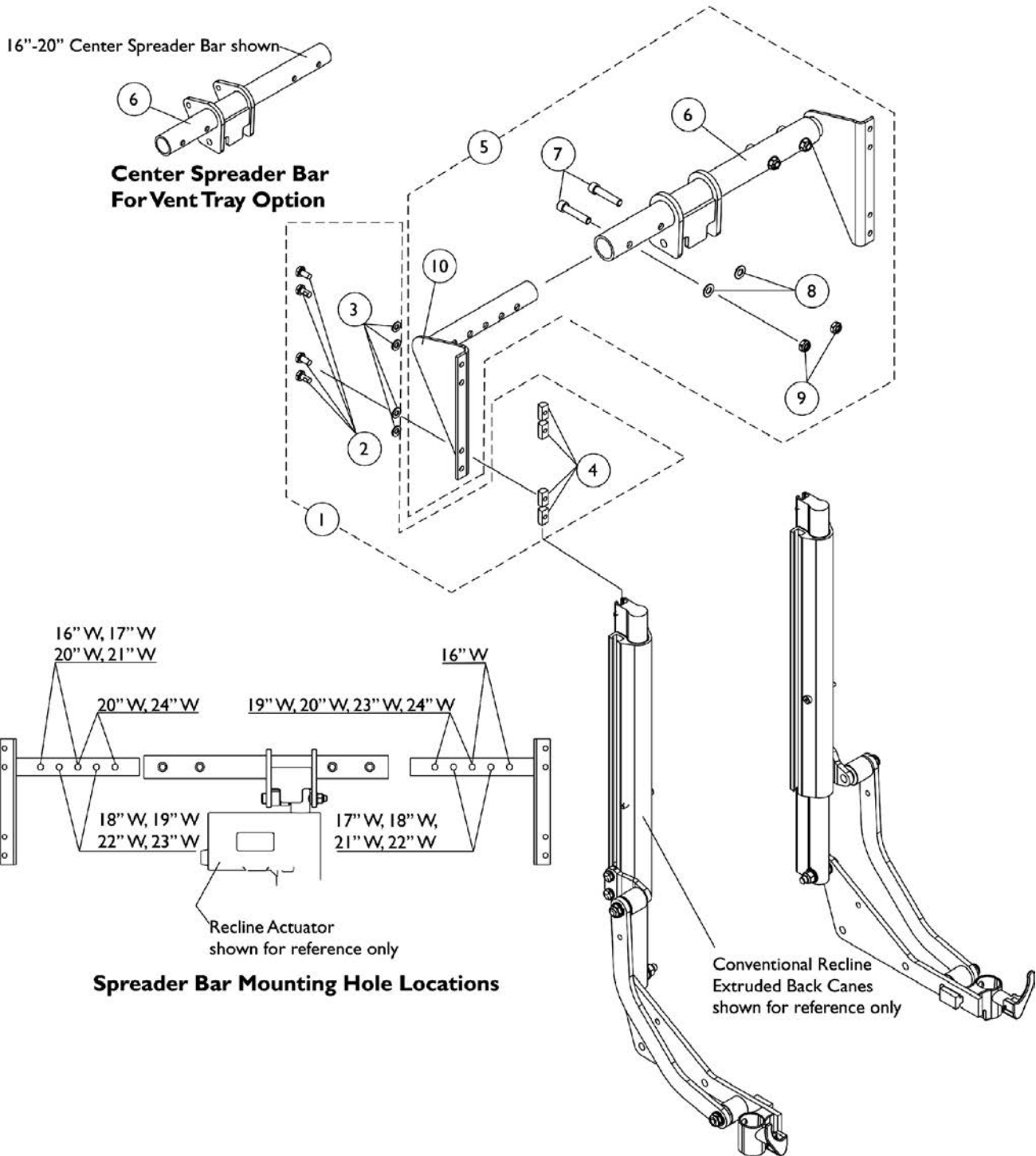


Spreader Bar Assembly Contoura Tilt, Recline and Tilt/Recline

Item Number	Note	Part Number	Description	Quantity Per	
				Package	Assembly
1		1122469	Spreader Bar Assembly, Contoura w/o Vent	1	1
1		1125788-NLA	NLA - Spreader Bar Assembly, Contoura w/ Vent	1	1
2	A	1125765	Kit, Spreader Bar Mounting Hardware For Extruded Back Canes	1	1
3			Screw, Hex Head w/ Patch (1/4-20 x 1/2")	1	8
4			Washer (1/4 x 1/2 x 1/16")	1	8
5			T-Nut (1/4-20)	1	8
NOTE: A - Includes items 3-5					

Spreader Bar Assembly

Conventional Recline and Tilt/Recline



Spreader Bar Assembly

Conventional Recline and Tilt/Recline

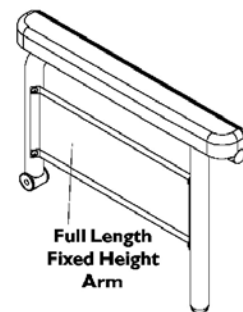
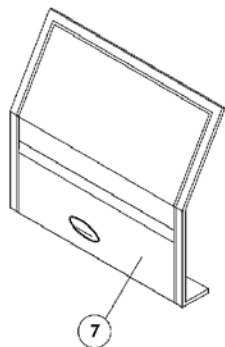
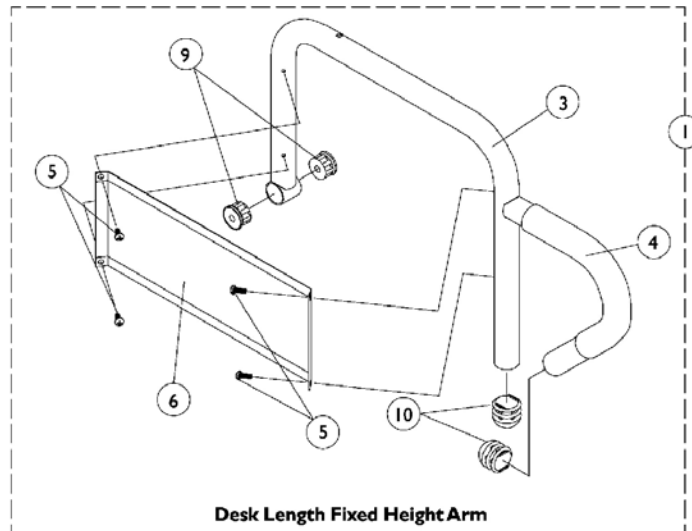
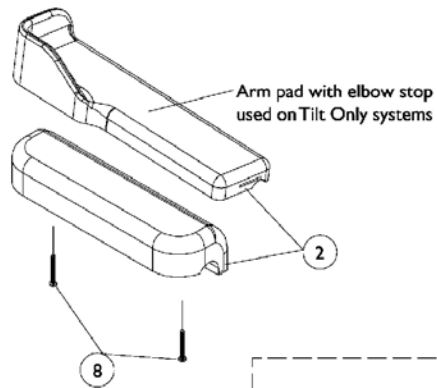
Item Number	Note	Part Number	Description	Quantity Per	
				Package	Assembly
1	A	1125765	Kit, Spreader Bar Mounting Hardware For Extruded Back Canes	1	1
2			Screw, Hex Head w/ Patch (1/4-20 x 1/2")	1	8
3			Washer (1/4 x 1/2 x 1/16")	1	8
4			T-Nut (1/4-20)	1	8
5	B	1125766	Kit, Spreader Bar Assembly For Conventional Recline, T/R, 16"-20" Wide w/o Vent	1	1
6			NLA - Center Spreader Bar Assembly w/o Vent (16 - 20" W)	1	1
7			Screw, Socket Head (5/16-18 x 1-1/2")	1	4
8			Washer, Flat (5/16 x 5/8 x 1/16")	1	4
9			Locknut (5/16-18)	1	4
10			NLA - Bracket, Straight Outer Spreader Bar - Right For 16"-20" Wide	1	1
10			NLA - Bracket, Straight Outer Spreader Bar, Black - Left (16-20" W)	1	1
5	B	1125767-NLA	Kit, Spreader Bar Assembly For Conventional Recline, T/R, 16"-20" Wide w/ Vent	1	1
6			NLA - Center Spreader Bar Assembly w/ Vent (16 - 20" W)	1	1
7			Screw, Socket Head (5/16-18 x 1-1/2")	1	4
8			Washer, Flat (5/16 x 5/8 x 1/16")	1	4
9			Locknut (5/16-18)	1	4
10			NLA - Bracket, Straight Outer Spreader Bar - Right For 16"-20" Wide	1	1
10			NLA - Bracket, Straight Outer Spreader Bar, Black - Left (16-20" W)	1	1
5	B	1125768	NLA - Kit, Spreader Bar Assembly For Conventional Recline, T/R, 20"-24" Wide w/o Vent	1	1
6			NLA - Center Spreader Bar Assembly w/o Vent (20 - 24" W)	1	1
7			Screw, Socket Head (5/16-18 x 1-1/2")	1	4
8			Washer, Flat (5/16 x 5/8 x 1/16")	1	4
9			Locknut (5/16-18)	1	4
10			NLA - Bracket, Straight Outer Spreader Bar, Black - Right (20-24" W)	1	1
10			NLA - Bracket, Straight Outer Spreader Bar, Black - Left (20-24" W)	1	1
5	B	1125769-NLA	Kit, Spreader Bar Assembly For Conventional Recline, T/R, 20"-24" Wide w/ Vent	1	1
6			NLA - Center Spreader Bar Assembly w/ Vent (20 - 24" W)	1	1
7			Screw, Socket Head (5/16-18 x 1-1/2")	1	4

Spreader Bar Assembly Conventional Recline and Tilt/Recline

Item Number	Note	Part Number	Description	Quantity Per	
				Package	Assembly
8			Washer, Flat (5/16 x 5/8 x 1/16")	1	4
9			Locknut (5/16-18)	1	4
10			NLA - Bracket, Straight Outer Spreader Bar, Black - Right (20-24" W)	1	1
10			NLA - Bracket, Straight Outer Spreader Bar, Black - Left (20-24" W)	1	1
NOTE: A - Includes items 2-4 B - Includes items 6-10					

Fixed Height Arms without Mounting Hardware

Elevate Only or Tilt Seating



Fixed Height Arms without Mounting Hardware

Elevate Only or Tilt Seating

#1 Arms Less Pad

16-19" Deep Seat Frames

Arm Style	Right	Left
Desk Length	1068566-NLA	1068567-NLA
Full Length	1068559-NLA	1068560-NLA

#1 Arms Less Pad

20" and Deeper Seat Frames

Arm Style	Right	Left
Desk Length	1068540-NLA	1068541-NLA
Full Length	1068528-NLA	1068529-NLA

Fixed Height Arms without Mounting Hardware Elevate Only or Tilt Seating

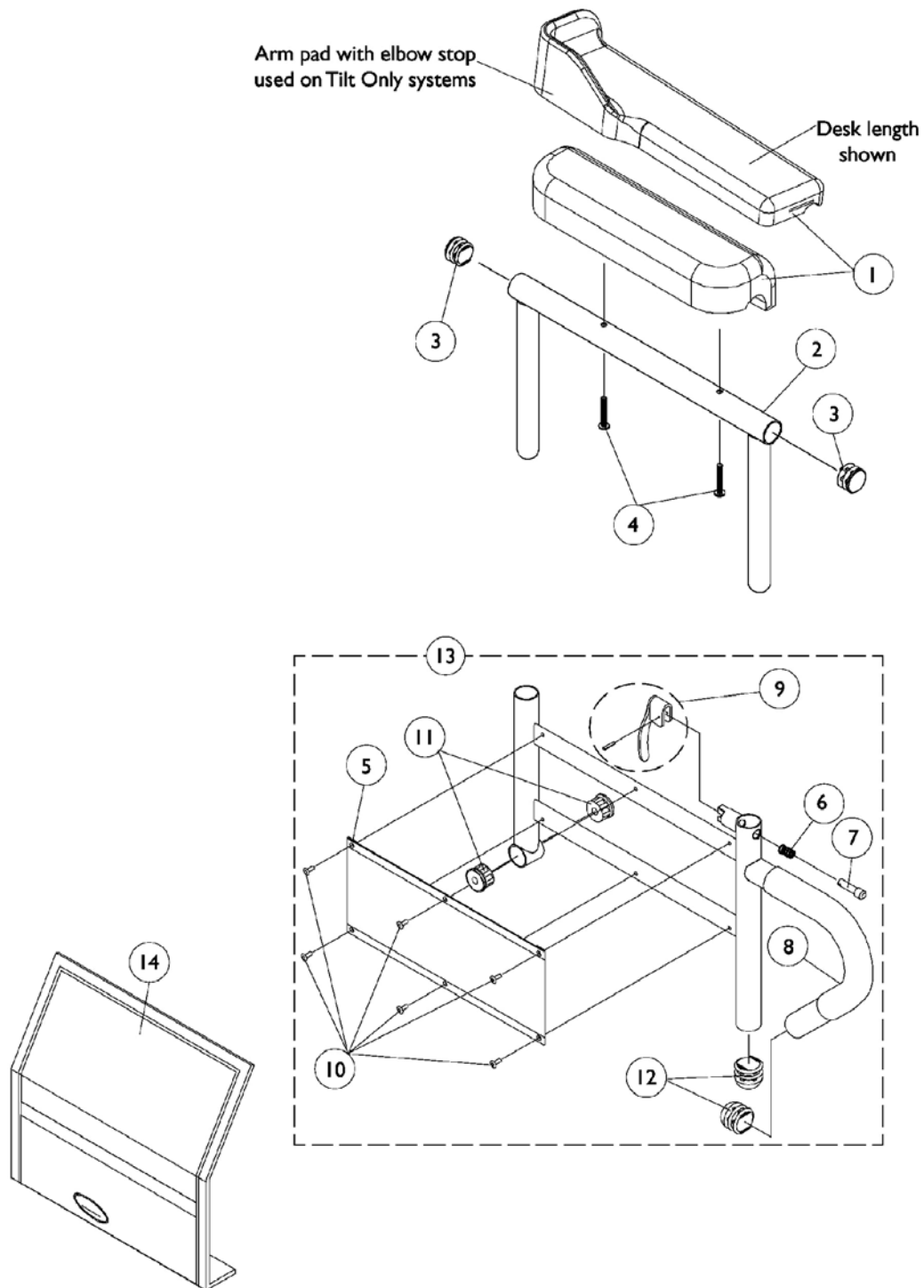
Item Number	Note	Part Number	Description	Quantity Per	
				Package	Assembly
1		See Chart	Arms Less Pad, 16-19" Deep Seat Frames	1	1
1	A	See Chart	Arms Less Pad, 20" and Deeper Seat Frames	1	1
2	C	1117328	Kit, Arm Pad w/ Screws, Full Length, Urethane Waterfall, Black (13" L x 2-5/8" W)	1	1
2		1110818	Kit, Arm Pad w/ Screws, Full Length, Urethane Waterfall, Black (13" L x 2-5/8" W) (Pair)	2	1
2	C	1117327	Kit, Arm Pad w/ Screws, Desk Length, Urethane Waterfall, Black (9" L x 2-5/8" W)	1	1
2		1110817	Kit, Arm Pad w/ Screws, Desk Length, Urethane Waterfall, Black (9" L x 2-5/8" W) (Pair)	2	1
2	B	1082910	Pad, Arm w/ Elbow Stop, Desk Length, Urethane, Black - Right (13" L x 3" W)	1	1
2	B	1082911	Pad, Arm w/ Elbow Stop, Desk Length, Urethane, Black - Left (13" L x 3" W)	1	1
2	B	1090190	Kit, Arm Pad w/ Screws and Elbow Stop, Desk Length, Urethane, Black (13" L x 3" W) (Pair)	2	1
2	B	1082912	Pad, Arm w/ Elbow Stop, Full Length, Urethane, Black - Right (17" L x 3" W)	1	1
2	B	1082913	Pad, Arm w/ Elbow Stop, Full Length, Urethane, Black - Left (17" L x 3" W)	1	1
2	B	1090191	Kit, Arm Pad w/ Screws and Elbow Stop, Full Length, Urethane, Black (17" L x 3" W) (Pair)	2	1
3		1068564	Tube, Arm, Desk Length, Black - Right (16-19" D)	1	1
3		1068565-NLA	NLA - Tube, Arm, Desk Length, Black - Left (16-19" D)	1	1
3	A	1068414-NLA	NLA - Tube, Arm, Desk Length, Long, Black - Right (20" and Deeper)	1	1
3	A	1068415-NLA	NLA - Tube, Arm, Desk Length, Long, Black - Left (20" and Deeper)	1	1
3		1068490	Tube, Arm, Full Length, Black - Right (16-19"D)	1	1
3		1068491-NLA	NLA - Tube, Arm, Full Length, Black - Left (16 - 19"D)	1	1
3	A	1068473-NLA	NLA - Tube, Arm, Full Length, Long, Black - Right (20" and Deeper)	1	1
3	A	1068474-NLA	NLA - Tube, Arm, Full Length, Long, Black - Left (20" and Deeper)	1	1
4		1032244	Grip, Foam Hand (9" L)	1	1
5		1025729	Screw, Phillips Pan Head Tap (#8-32 x 3/8")	1	4
6		1035472-NLA	NLA - Guard, Clothing, Desk Length	1	1
6		1044572-NLA	NLA - Guard, Clothing, Full Length (16 - 19" D)	1	1
6	A	1044005-NLA	NLA - Guard, Clothing, Full Length (20" and Deeper)	1	1
7		1035065	Cover, Clothing Guard w/ Pocket, FXDESK & ADJFULL/ADJDESK	1	1

Fixed Height Arms without Mounting Hardware Elevate Only or Tilt Seating

Item Number	Note	Part Number	Description	Quantity Per	
				Package	Assembly
7	A	1044588	Cover, Clothing Guard with Pocket Fixed Height Full Length (20" and Deeper)	1	1
8		1094270	Package, Screw, Phillips Pan Head (#10-32 x 1-1/4")	2	1
9		1065936	Plug, Pivot	1	2
10		1067734	Plug Button, Black (5/8")	1	2
NOTE: A - The ADJASBA seat frame for 19-22" depths including the Tilt Only System must use the 16-19" deep arms only. B - Arm Pads w/ Elbow Stop is used for Formula Tilt Only systems C - After 7/9/07 Invacare recommends ordering armpads in pairs to assure uniform appearance on chair					

Adjustable Height Arms without Mounting Hardware

Elevate Only or Tilt Seating



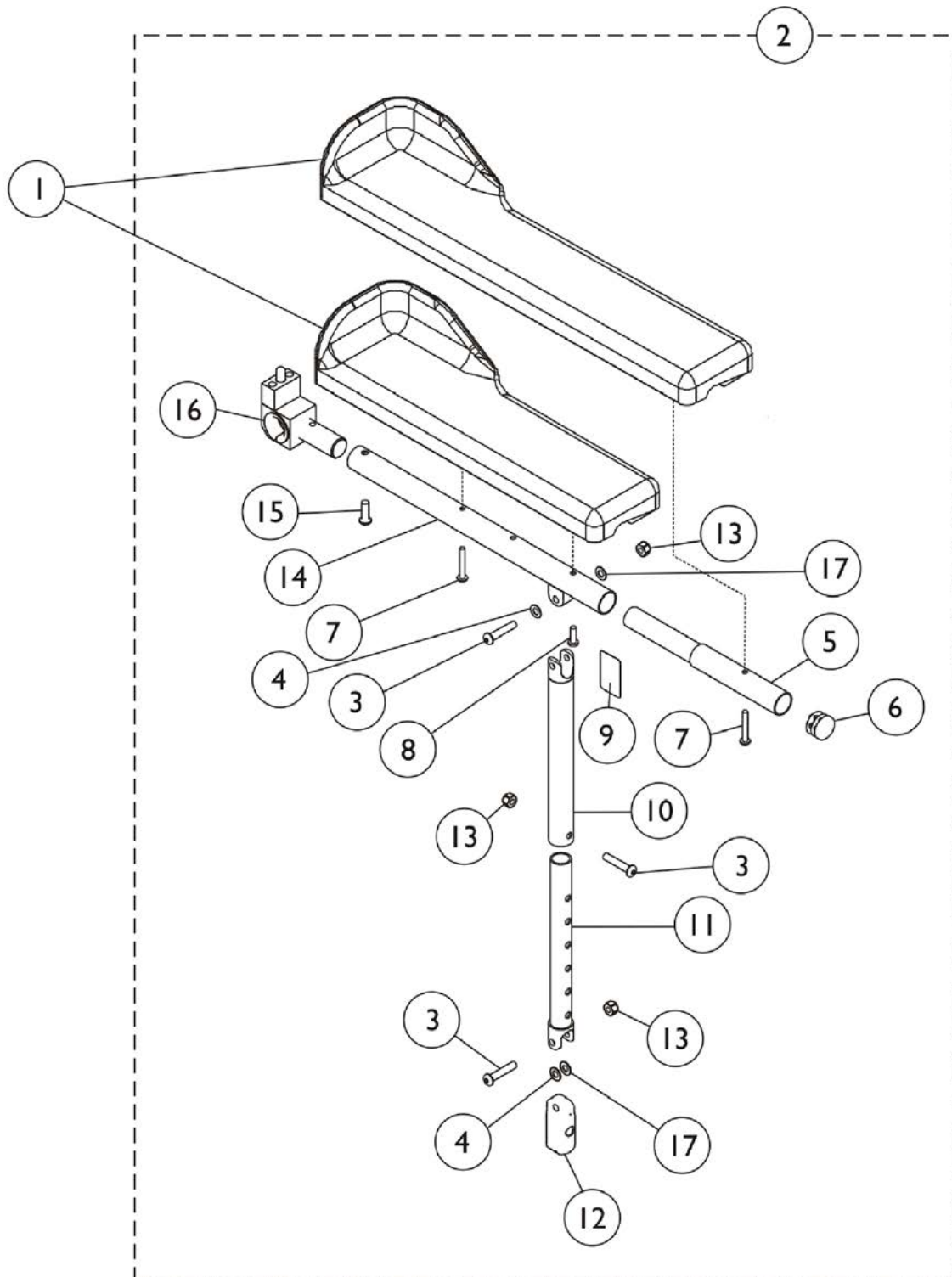
Adjustable Height Arms without Mounting Hardware Elevate Only or Tilt Seating

Item Number	Note	Part Number	Description	Quantity Per	
				Package	Assembly
1		1117328	Kit, Arm Pad w/ Screws, Full Length, Urethane Waterfall, Black (13" L x 2-5/8" W)	1	1
1		1110818	Kit, Arm Pad w/ Screws, Full Length, Urethane Waterfall, Black (13" L x 2-5/8" W) (Pair)	2	1
1		1117327	Kit, Arm Pad w/ Screws, Desk Length, Urethane Waterfall, Black (9" L x 2-5/8" W)	1	1
1		1110817	Kit, Arm Pad w/ Screws, Desk Length, Urethane Waterfall, Black (9" L x 2-5/8" W) (Pair)	2	1
1	B	1082910	Pad, Arm w/ Elbow Stop, Desk Length, Urethane, Black - Right (13" L x 3" W)	1	1
1	B	1082911	Pad, Arm w/ Elbow Stop, Desk Length, Urethane, Black - Left (13" L x 3" W)	1	1
1	B	1090190	Kit, Arm Pad w/ Screws and Elbow Stop, Desk Length, Urethane, Black (13" L x 3" W) (Pair)	2	1
1	B	1082912	Pad, Arm w/ Elbow Stop, Full Length, Urethane, Black - Right (17" L x 3" W)	1	1
1	B	1082913	Pad, Arm w/ Elbow Stop, Full Length, Urethane, Black - Left (17" L x 3" W)	1	1
1	B	1090191	Kit, Arm Pad w/ Screws and Elbow Stop, Full Length, Urethane, Black (17" L x 3" W) (Pair)	2	1
2		1071253	Arm Tube Assembly w/ Plug Buttons, Full Length, Black - Right/Left	1	1
2		1070859	Arm Tube Assembly w/ Plug Buttons, Desk Length, Black - Right/Left	1	1
3		1027095	Plug Button, Black (7/8")	1	2
4		1094270	Package, Screw, Phillips Pan Head (#10-32 x 1-1/4")	2	1
5		1064130	Guard, Clothing	1	1
6		47471X074	Spring, Arm Lock	1	1
7		1028594	Pin, Arm Lock, Black	1	1
8		1032244	Grip, Foam Hand (9" L)	1	1
9		1090768	Kit, Lock Handle w/Rivets (Pair)	2	1
10		1028645	Rivet	1	6
11		1065936	Plug, Pivot	1	2
12		1067734	Plug Button, Black (5/8")	1	2
13		1068416	Arm Base Assembly, Black - Right (16-19" D)	1	1
13		1068417	Arm Base Assembly, Black - Left (16-19" D)	1	1
13	A	1068418	Arm Base Assembly, Black - Right (20" and Deeper)	1	1
13	A	1068419	Arm Base Assembly, Black - Left (20" and Deeper)	1	1
13		1067761	Arm Base Assembly, 1" Lower, Black - Right (16-19" D)	1	1
13		1067762	Arm Base Assembly, 1" Lower, Black - Left (16-19" D)	1	1

Adjustable Height Arms without Mounting Hardware Elevate Only or Tilt Seating

Item Number	Note	Part Number	Description	Quantity Per	
				Package	Assembly
13	A	1067755	Arm Base Assembly, 1" Lower, Black - Right (20" and Deeper)	1	1
13	A	1067756	Arm Base Assembly, 1" Lower, Black - Left (20" and Deeper)	1	1
14		1035065	Cover, Clothing Guard w/ Pocket, FXDESK & ADJFULL/ADJDESK	1	1
NOTE: A - The ADJASBA seat frame for 19-22" depths including the Tilt Only System must use the 16-19" deep arms only. B - Arm Pads w/ Elbow Stop is used for Formula Tilt Only systems					

Recline and Tilt/Recline Arms without Mounting Hardware



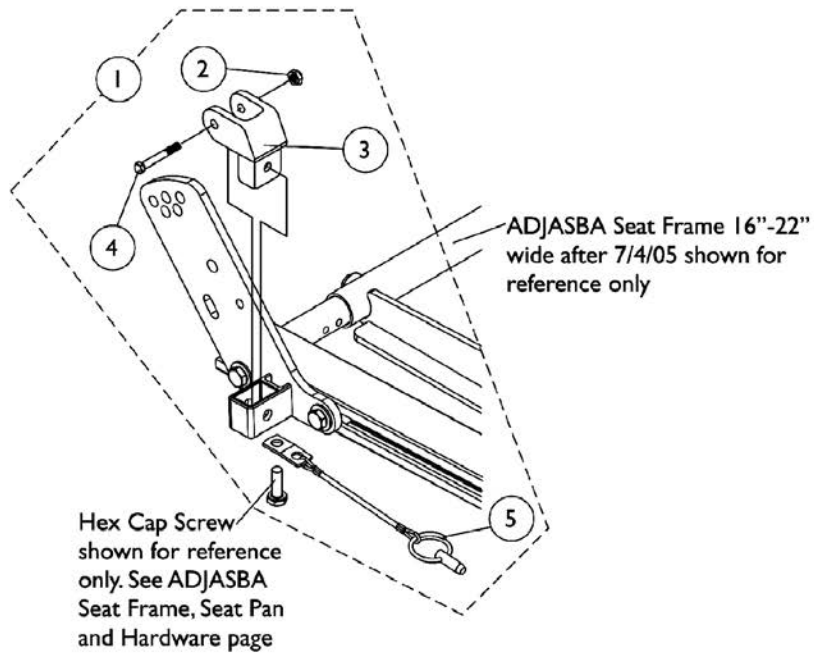
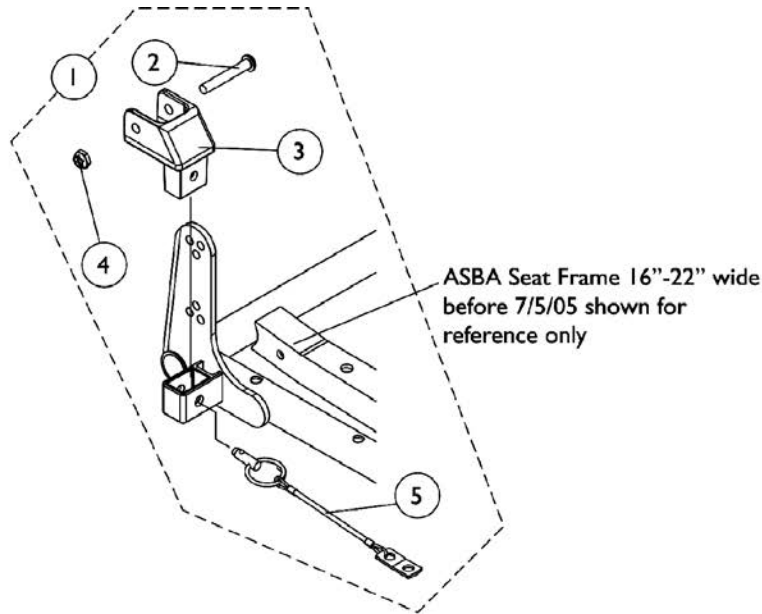
Recline and Tilt/Recline Arms without Mounting Hardware

Item Number	Note	Part Number	Description	Quantity Per	
				Package	Assembly
1		1082910	Pad, Arm w/ Elbow Stop, Desk Length, Urethane, Black - Right (13" L x 3" W)	1	1
1		1082911	Pad, Arm w/ Elbow Stop, Desk Length, Urethane, Black - Left (13" L x 3" W)	1	1
1		1090190	Kit, Arm Pad w/ Screws and Elbow Stop, Desk Length, Urethane, Black (13" L x 3" W) (Pair)	2	1
1		1082912	Pad, Arm w/ Elbow Stop, Full Length, Urethane, Black - Right (17" L x 3" W)	1	1
1		1082913	Pad, Arm w/ Elbow Stop, Full Length, Urethane, Black - Left (17" L x 3" W)	1	1
1		1090191	Kit, Arm Pad w/ Screws and Elbow Stop, Full Length, Urethane, Black (17" L x 3" W) (Pair)	2	1
2	A,F	1086992	Arm Assembly w/o Arm Pad, Desk Length, Black - Right	1	1
2	A,F	1086993	Arm Assembly w/o Arm Pad, Desk Length, Black - Left	1	1
2	B,F	1087012	Arm Assembly w/o Arm Pad, Full Length, Black - Right	1	1
2	B,F	1087013	Arm Assembly w/o Arm Pad, Full Length, Black - Left	1	1
3		1008432	Screw, Socket Button Head (1/4-20 x 1-1/4")	1	3
4		1026103	Washer, Nylon (1/4 x 1/2 x 1/32")	1	2
5		0028202	Tube, Extension, Full Length	1	1
6		1027095	Plug Button, Black (7/8")	1	1
7		1107155	Screw, Phillips Pan Head Tap (#10-32 x 1-1/4")	1	2
8	C	1028755	Screw, Phillips Pan Head (#10-32 x 5/8")	1	1
8	D	1107155	Screw, Phillips Pan Head Tap (#10-32 x 1-1/4")	1	1
9		1079203	Decal, Warning Pinch Point	1	1
10		1115392	Tube, Arm, Support, Black	1	1
11		1115393-NLA	NLA - Tube, Slide, Adjustable, Black	1	1
12		1082842	Plug, Arm, Black	1	1
13		7930333	Locknut (1/4-20)	25	3
14		1082927	Tube, Arm, Black	1	1
15		1091870	Screw, Socket Button Head w/ Patch (1/4-20 x 3/4")	1	1
16	G	1095437	Arm Pivot Assembly	1	1
17		1165484-NLA	NLA - Washer, Nylon (1/4 x 1/2 x 1/32")	1	2
	E	1119268-NLA	NLA - Kit, Slide Tube w/ Arm Support (Pair)	2	1

NOTE: A - Includes Items 3,4,6, and 9-17.
 B - Includes Items 3-6 and 8-17.
 C - Used for full length arms only
 D - Used for desk length arms only
 E - Not Shown. Assembly includes 2 ea. of item numbers 9, 10 and 11
 F - When placing an order for item 2, you must specify as a note "For Tarsys 2GTR seating" or "For Formula TRE seating".
 G - The Arm Pivot Assembly Pin faces down for Tarsys 2GTR and faces up for the Formula TRE powered seating

Arm Mounting Swingaway Hardware

Elevate Only For ASBA/ADJASBA Seating



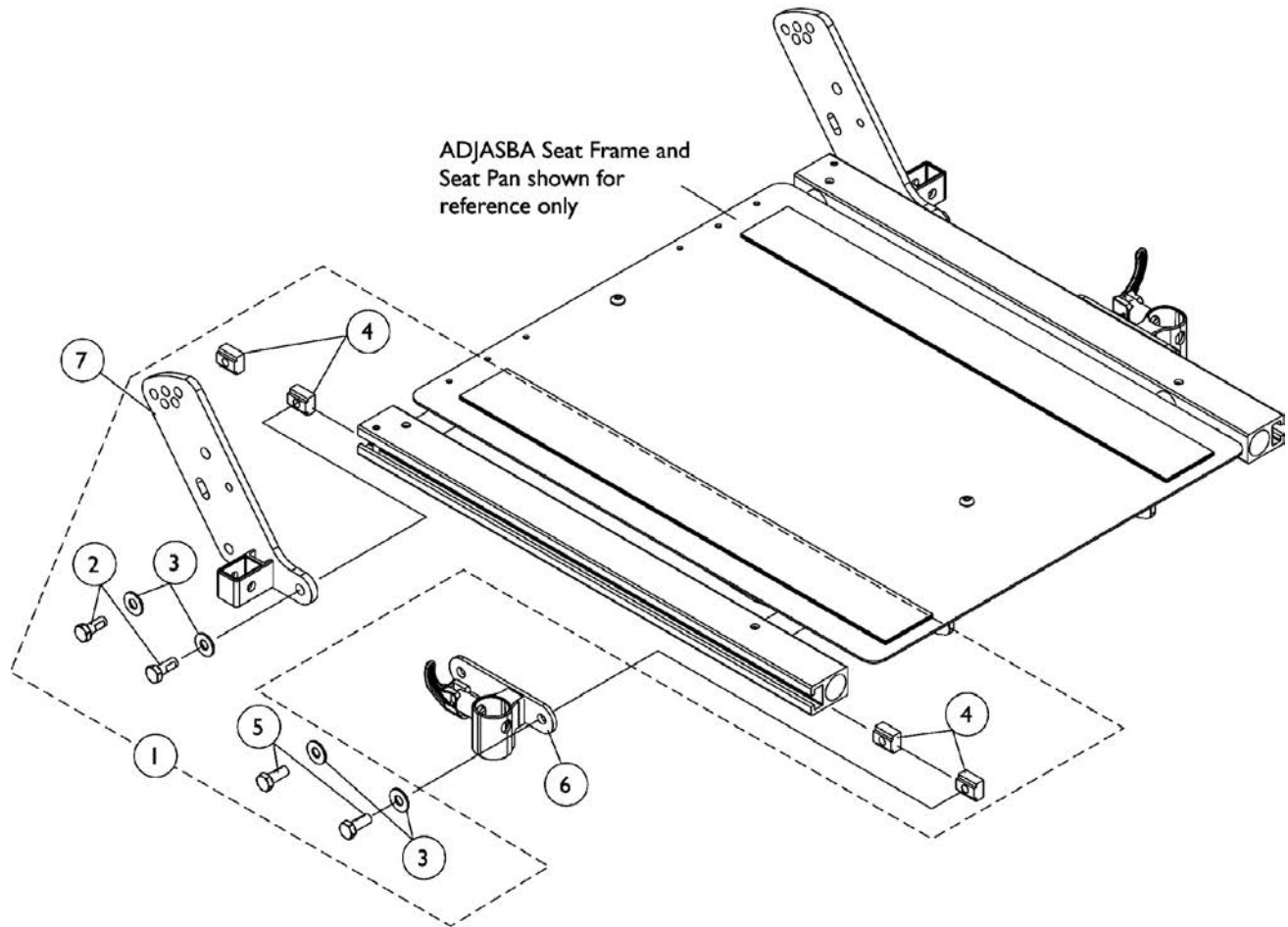
Arm Mounting Swingaway Hardware Elevate Only For ASBA/ADJASBA Seating

Item Number	Note	Part Number	Description	Quantity Per	
				Package	Assembly
1	A	1068488	Kit, Swingaway Armrest Mounting Hardware	1	1
2		1019590	Screw, Socket Button Head (1/4-20 x 1-5/8")	1	1
3		1068025	Clevis, Pivot	1	1
4		1025195	Locknut (1/4-20)	1	1
5		1068039	Pin, Pull	1	1

NOTE: A - Includes items 2-5

Front/Rear Arm Socket Assembly and Hardware

Elevate Only For ADJASBA Seat (16"-22" Wide) (After 7/4/05)



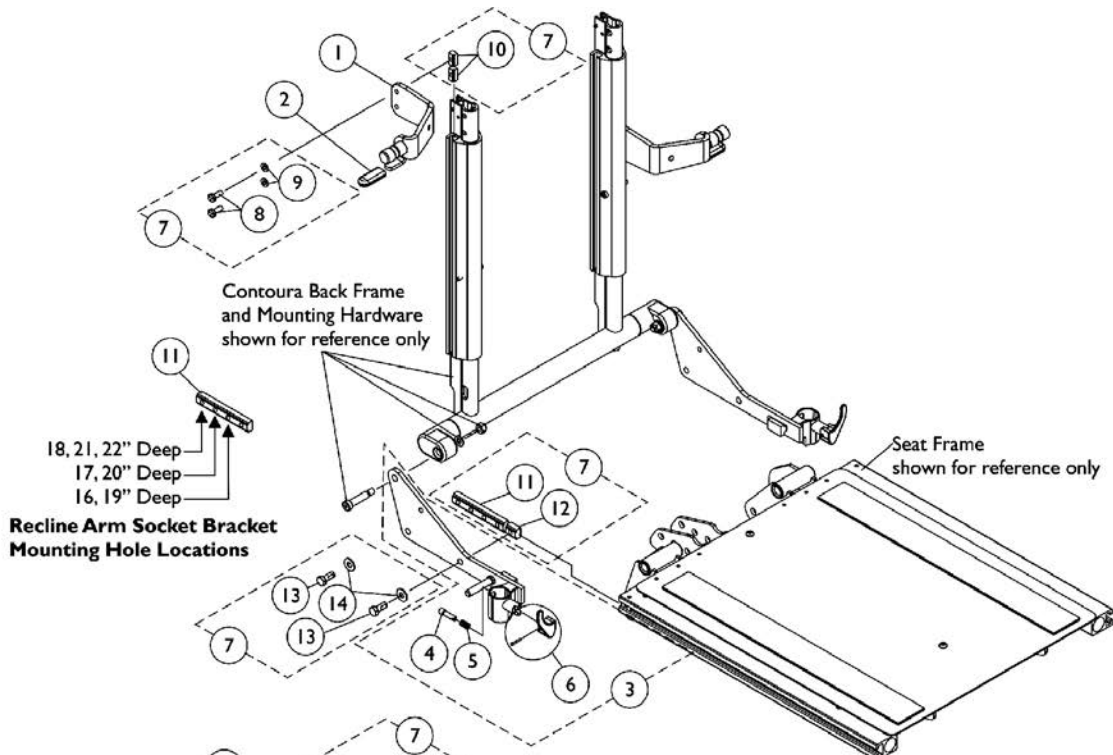
Front/Rear Arm Socket Assembly and Hardware Elevate Only For ADJASBA Seat (16"-22" Wide) (After 7/4/05)

Item Number	Note	Part Number	Description	Quantity Per	
				Package	Assembly
1	A	1125734	Kit, Front/Rear Arm Socket Assembly Mounting Hardware	1	1
2			Screw, Hex Head w/ Patch (5/16-18 x 3/4")	1	2
3			Washer, Steel (5/16 x 3/4 x 1/16")	1	4
4			T-Nut (5/16-18)	1	4
5			Screw, Hex Head w/ Patch (5/16-18 x 5/8")	1	2
6		1122619	Socket, Arm, Front - Right	1	1
6		1122620	Socket, Arm, Front - Left	1	1
7		1125478	Bracket, Arm Socket/Cane, Rear - Right	1	1
7		1125479	Bracket, Arm Socket/Cane, Rear - Left	1	1

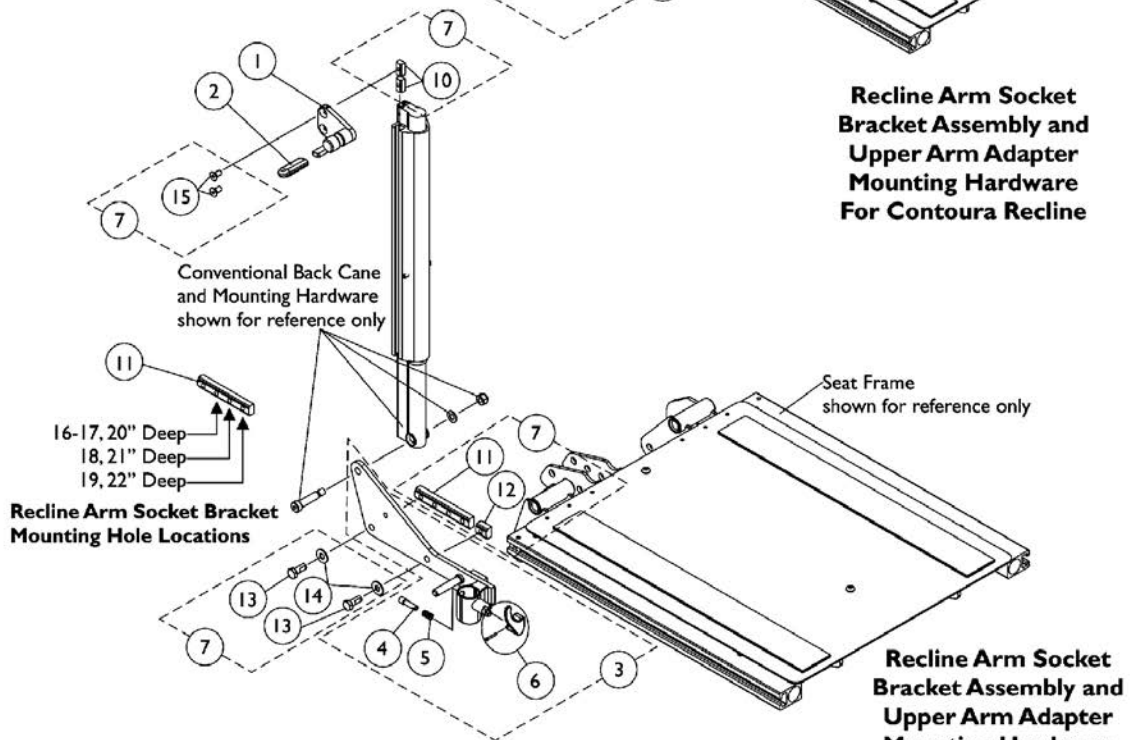
NOTE: A - Includes items 2-5

Arm Mounting Hardware

Conventional and Contoura Recline and Tilt/Recline Seating



Recline Arm Socket Bracket Assembly and Upper Arm Adapter Mounting Hardware For Contoura Recline



Recline Arm Socket Bracket Assembly and Upper Arm Adapter Mounting Hardware For Conventional Recline

Arm Mounting Hardware

Conventional and Contoura Recline and Tilt/Recline Seating

#1 Adapter, Contoura Recline Upper Arm - Before 5/15/09

Adapter Side	16" Wide	18" Wide	20" Wide	22" Wide	24" Wide
Contoura - Right	1131416	1122582	1122625	1131418	1131420
Contoura - Left	1131417	1125807	1125808	1131419	1131421

#1 Adapter, Curve Contoura Recline Upper Arm - After 5/14/09

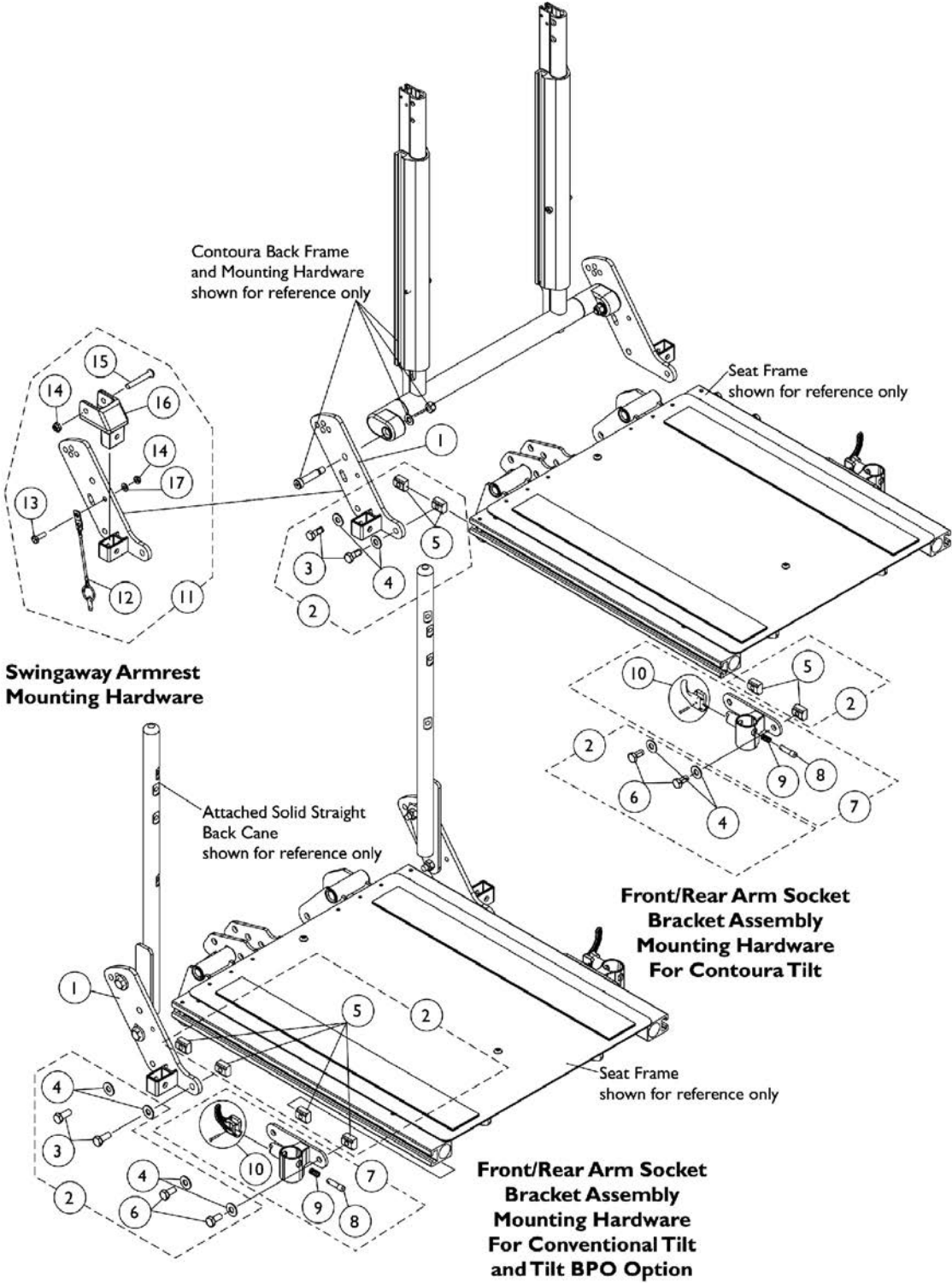
Adapter Side	16" Wide	18" Wide	20" Wide	22" Wide	24" Wide
Curve Contoura - Right	1161802	1161655	1161660	1161796	1161820
Curve Contoura - Left	1161803	1161656	1161661	1161797	1161821

Arm Mounting Hardware Conventional and Contoura Recline and Tilt/Recline Seating

Item Number	Note	Part Number	Description	Quantity Per	
				Package	Assembly
1		See Chart	#1 Adapter, Contoura Recline Upper Arm - Before 5/15/09	1	1
1		See Chart	#1 Adapter, Curve Contoura Recline Upper Arm - After 5/14/09	1	1
1		1122595	Adapter, Conventional Recline Upper Arm - Right	1	1
1		1125809	Adapter, Conventional Recline Upper Arm - Left	1	1
2		1006490	Tip, Plastic, Black	1	1
3	A	1124682	Recline Arm Socket Bracket Assembly, Black - Right	1	1
3	A	1124683	Recline Arm Socket Bracket Assembly, Black - Left	1	1
4		1028594	Pin, Arm Lock, Black	1	1
5		47471X074	Spring, Arm Lock	1	1
6		1090768	Kit, Lock Handle w/Rivets (Pair)	2	1
7	B	1125735	Kit, Recline Arm Socket Assembly and Upper Arm Adapter Mounting Hardware	1	1
8			Screw, Hex Head w/ Patch (1/4-20 x 5/8")	1	2
9			Washer (1/4 x 1/2 x 1/16")	1	2
10			T-Nut (1/4-20)	1	2
11			T-Nut (5/16-18)	1	1
12			T-Nut (5/16-18)	1	1
13			Screw, Hex Head w/ Patch (5/16-18 x 3/4")	1	2
14			Washer, Steel (5/16 x 3/4 x 1/16")	1	2
15			NLA - Screw, Socket Flat Head w/ Patch (1/4-20X1/2")	1	2
NOTE: A - Includes Recline Arm Socket Bracket and items 4-6. B - Includes items 8-15.					

Arm Mounting Hardware

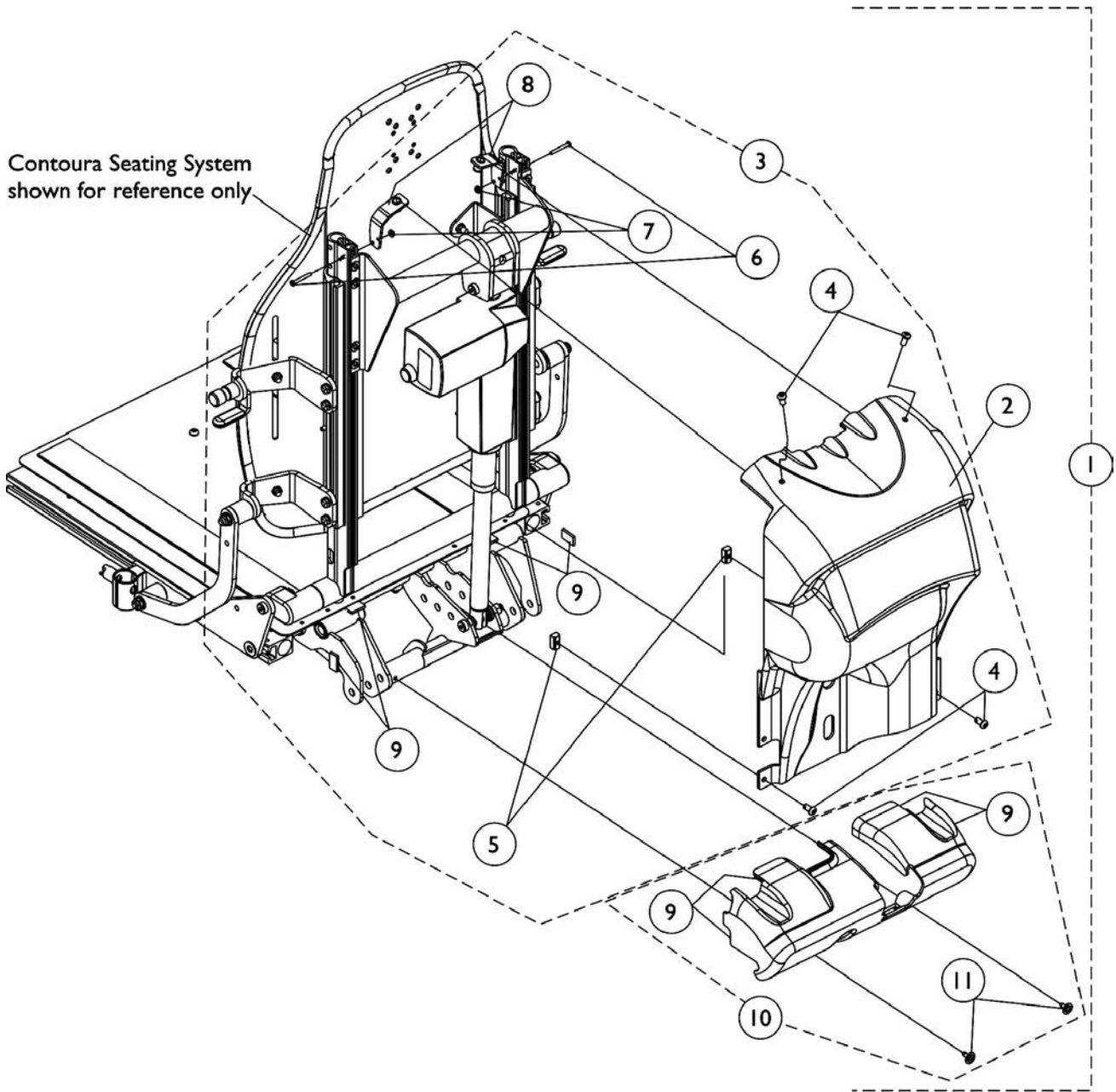
Conventional and Contoura Tilt Seating



Arm Mounting Hardware Conventional and Contoura Tilt Seating

Item Number	Note	Part Number	Description	Quantity Per	
				Package	Assembly
1		1125478	Bracket, Arm Socket/Cane, Rear - Right	1	1
1		1125479	Bracket, Arm Socket/Cane, Rear - Left	1	1
2	A	1125734	Kit, Front/Rear Arm Socket Assembly Mounting Hardware	1	1
3			Screw, Hex Head w/ Patch (5/16-18 x 3/4")	1	2
4			Washer, Steel (5/16 x 3/4 x 1/16")	1	4
5			T-Nut (5/16-18)	1	4
6			Screw, Hex Head w/ Patch (5/16-18 x 5/8")	1	2
7	B	1122619	Socket, Arm, Front - Right	1	1
7	B	1122620	Socket, Arm, Front - Left	1	1
8		1028594	Pin, Arm Lock, Black	1	1
9		47471X074	Spring, Arm Lock	1	1
10		1090768	Kit, Lock Handle w/Rivets (Pair)	2	1
11	C	1125736	Kit, Swingaway Armrest Mounting Hardware	1	1
12			Pin, Pull	1	1
13			Screw, Hex Head w/ Patch (1/4-20 x 3/4")	1	1
14			Locknut (1/4-20)	1	2
15			Screw, Socket Button Head (1/4-20 x 1-5/8")	1	1
16			Clevis, Pivot	1	1
17			Washer (1/4 x 1/2 x 1/16")	1	1
NOTE: A - Includes items 3-6 B - Includes Front Arm Socket and items 8-10 C - Includes items 12-17					

Contoura Seating Shroud Covers

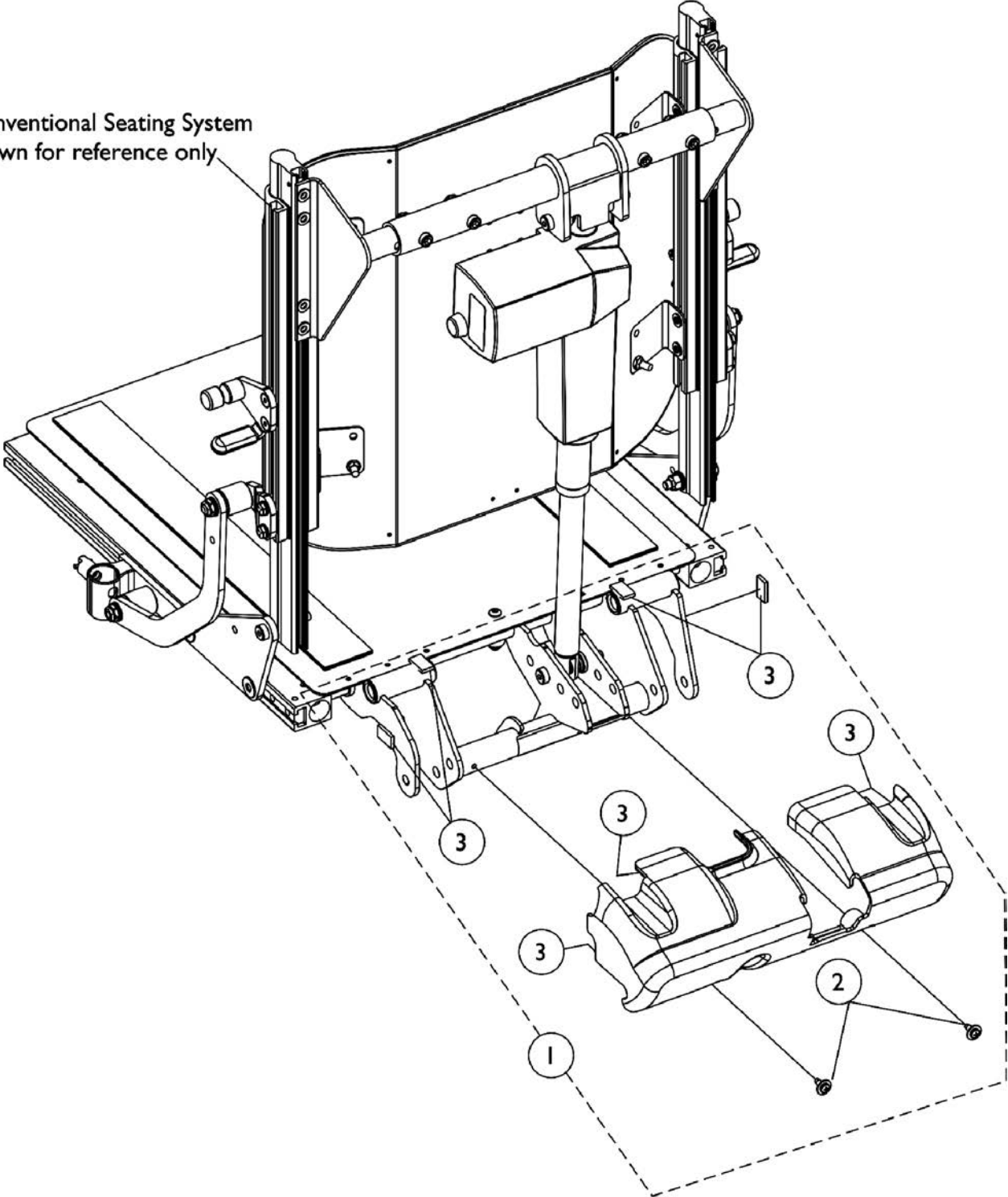


Contoura Seating Shroud Covers

Item Number	Note	Part Number	Description	Quantity Per	
				Package	Assembly
1	A	1125705	NLA - Kit, Controller and Seat Frame Shroud Covers with Hardware	1	1
2			NLA - Cover, Back, Controller Shroud	1	1
4			Screw, Button Head w/ Patch (1/4-20 x 1/2")	1	4
5			T-Nut (1/4-20)	1	2
6			Screw, Phillips Pan Head (#6-32 x 1-1/8")	1	2
7			Nut, Hex Lock (#6-32)	1	2
8			NLA - Bracket, Shroud, Black - Right	1	1
8			NLA - Bracket, Shroud, Black - Left	1	1
9			Fastener, Dual Lock (1/2" W x 7/8" L)	1	8
10			NLA - Cover Assembly, Seat Frame Shroud	1	1
3	B	1125728-NLA	Kit, Controller Shroud Mounting Hardware	1	1
4			Screw, Button Head w/ Patch (1/4-20 x 1/2")	1	4
5			T-Nut (1/4-20)	1	2
6			Screw, Phillips Pan Head (#6-32 x 1-1/8")	1	2
7			Nut, Hex Lock (#6-32)	1	2
8			NLA - Bracket, Shroud, Black - Right	1	1
8			NLA - Bracket, Shroud, Black - Left	1	1
9			Fastener, Dual Lock (1/2" W x 7/8" L)	1	4
10	C	1125704-NLA	NLA - Cover Assembly, Seat Frame Shroud	1	1
9		1090197	Fastener, Dual Lock (1/2" W x 7/8" L)	1	4
11		1114308	Screw, Phillips Pan Head Tap (#10-32 x 1/2")	1	2
NOTE: A - Includes items 2, 4-10 B - Includes items 4-9 C - Includes Shroud Cover, items 9 and 11					

Conventional Shroud Cover

Conventional Seating System
shown for reference only.



Conventional Shroud Cover

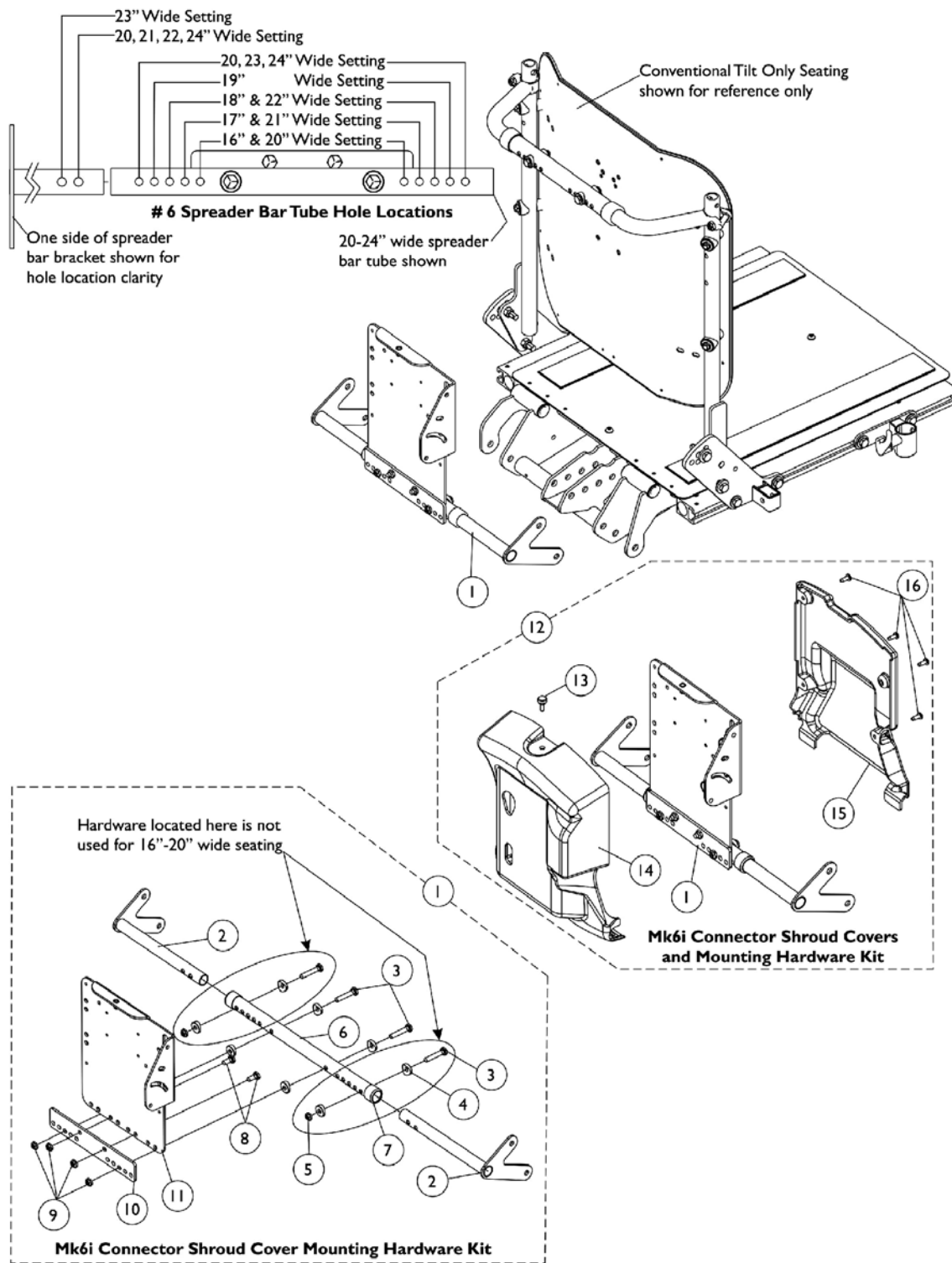
Item Number	Note	Part Number	Description	Quantity Per	
				Package	Assembly
1	A	1125704-NLA	NLA - Cover Assembly, Seat Frame Shroud	1	1
2		1114308	Screw, Phillips Pan Head Tap (#10-32 x 1/2")	1	2
3		1090197	Fastener, Dual Lock (1/2" W x 7/8" L)	1	8

NOTE: A - Includes the Shroud Cover and items 2-3

Shroud Covers Before 3/1/07

Conventional Tilt, Tilt w/ BPO or Tilt-Elevate w/ MK6i Electronics

NOTE: MK6i connectors are bundled and cable-tied to the MK6i Connector Shroud Mounting Tray Assembly item #11



Shroud Covers Before 3/1/07

Conventional Tilt, Tilt w/ BPO or Tilt-Elevate w/ MK6i Electronics

NOTE: MK6i connectors are bundled and cable-tied to the MK6i Connector Shroud Mounting Tray Assembly item #11

Item Number	Note	Part Number	Description	Quantity Per	
				Package	Assembly
1	A	1140266-NLA	NLA - Kit, TRECM/TAC/MK6i Connector Shroud Mtg. Hdwr. 16-20" Wide For Conventional Tilt Only	1	1
2			Bracket, Spreader Bar, Black - Right	1	1
2			Bracket, Spreader Bar, Black - Left	1	1
3			Screw, Hex Head (1/4-20 x 1-1/2")	1	2
4			Spacer, Coved (1/4 x 11/16 x 1/2")	1	4
6			Tube, Spreader Bar, Black (16 - 20" W)	1	1
7			Collar, Anti-Rattle (7/8")	1	2
8			Screw, Hex Head (1/4-20 x 5/8")	1	2
9			Locknut (1/4-20)	1	4
10			Plate, Mounting	1	1
11			NLA - TRECM/SAC/TAC/MK6i Connector Shroud Mounting Tray Assembly	1	1
1	B	1140267-NLA	NLA - Kit, TRECM/TAC/MK6i Connector Shroud Mtg. Hdwr. 20-24" Wide For Conventional Tilt Only	1	1
2			Bracket, Spreader Bar, Black - Right	1	1
2			Bracket, Spreader Bar, Black - Left	1	1
3			Screw, Hex Head (1/4-20 x 1-1/2")	1	4
4			Spacer, Coved (1/4 x 11/16 x 1/2")	1	8
5			Locknut (1/4-20)	1	2
6			Tube, Spreader Bar, Black (20 - 24" W)	1	1
7			Collar, Anti-Rattle (7/8")	1	2
8			Screw, Hex Head (1/4-20 x 5/8")	1	2
9			Locknut (1/4-20)	1	4
10			Plate, Mounting	1	1
11		NLA - TRECM/SAC/TAC/MK6i Connector Shroud Mounting Tray Assembly	1	1	
12	C	1140268	NLA - Kit, TRECM/TAC/MK6i Connector Shrouds and Mtg. Hdwr. 16-20" Wide For Conventional Tilt Only	1	1
			NLA - Screw, Phillips Pan Head w/ Patch (#10-32 x 3/8")	1	2
2			Bracket, Spreader Bar, Black - Right	1	1
2			Bracket, Spreader Bar, Black - Left	1	1
3			Screw, Hex Head (1/4-20 x 1-1/2")	1	2
4			Spacer, Coved (1/4 x 11/16 x 1/2")	1	4
6			Tube, Spreader Bar, Black (16 - 20" W)	1	1
7			Collar, Anti-Rattle (7/8")	1	2
8			Screw, Hex Head (1/4-20 x 5/8")	1	2
9			Locknut (1/4-20)	1	4
10			Plate, Mounting	1	1
11		NLA - TRECM/SAC/TAC/MK6i Connector Shroud Mounting Tray Assembly	1	1	

Shroud Covers Before 3/1/07

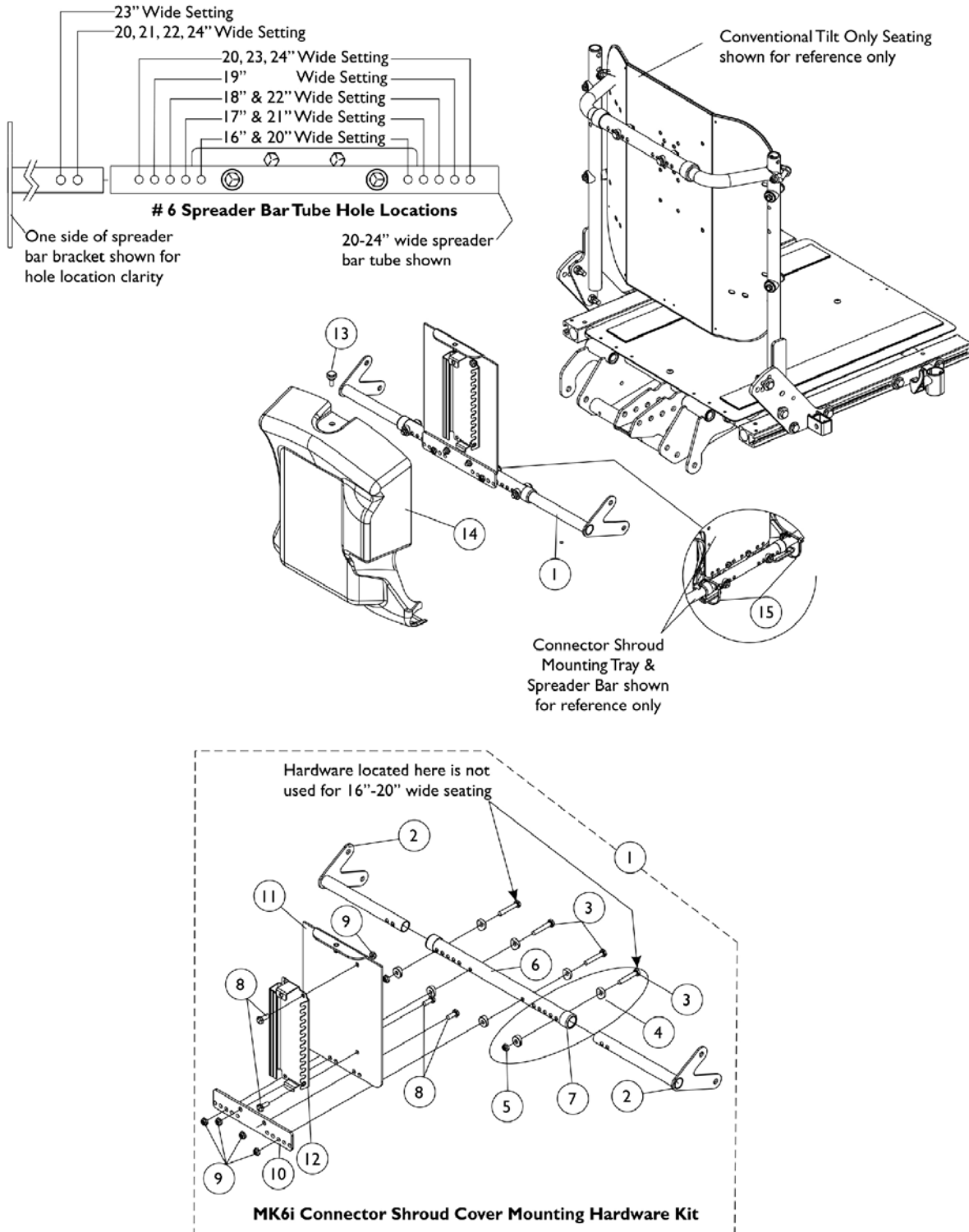
Conventional Tilt, Tilt w/ BPO or Tilt-Elevate w/ MK6i Electronics

**NOTE: MK6i connectors are bundled and cable-tied to the MK6i Connector Shroud Mounting Tray
Assembly item #11**

Item Number	Note	Part Number	Description	Quantity Per	
				Package	Assembly
13			Screw, Thumb (#10-32 x 1/2")	1	1
14			NLA - Shroud, Cover	1	1
15			Shroud, Back	1	1
16			Screw, Phillips Pan Head Tap (#10-32 x 1/2")	1	4
12	D	1140269	NLA - Kit, TRECM/TAC/MK6i Connector Shrouds and Mtg. Hdwr. 20-24" Wide For Conventional Tilt Only	1	1
			NLA - Screw, Phillips Pan Head w/ Patch (#10-32 x 3/8")	1	2
2			Bracket, Spreader Bar, Black - Right	1	1
2			Bracket, Spreader Bar, Black - Left	1	1
3			Screw, Hex Head (1/4-20 x 1-1/2")	1	4
4			Spacer, Coved (1/4 x 11/16 x 1/2")	1	8
5			Locknut (1/4-20)	1	2
6			Tube, Spreader Bar, Black (20 - 24" W)	1	1
7			Collar, Anti-Rattle (7/8")	1	2
8			Screw, Hex Head (1/4-20 x 5/8")	1	2
9			Locknut (1/4-20)	1	4
10			Plate, Mounting	1	1
11			NLA - TRECM/SAC/TAC/MK6i Connector Shroud Mounting Tray Assembly	1	1
13			Screw, Thumb (#10-32 x 1/2")	1	1
14			NLA - Shroud, Cover	1	1
15			Shroud, Back	1	1
16			Screw, Phillips Pan Head Tap (#10-32 x 1/2")	1	4
	E	1095502-NLA	NLA - Package, Tie Wrap (11-1/2" L)	10	1
NOTE: A - Includes items 2-4 and 6-11 B - Includes items 2-12 C - Includes (part #1079316 Screw - Not Shown and not used for MK6i application) and items 2-4, 6-11 and 13-16 D - Includes (part #1079316 Screw - Not Shown and not used for MK6i application) and items 2-11 and 13-16 E - Not Shown					

Shroud Cover After 2/28/07

Conventional Tilt, Tilt w/ BPO or Tilt-Elevate w/ MK6i Electronics



Shroud Cover After 2/28/07

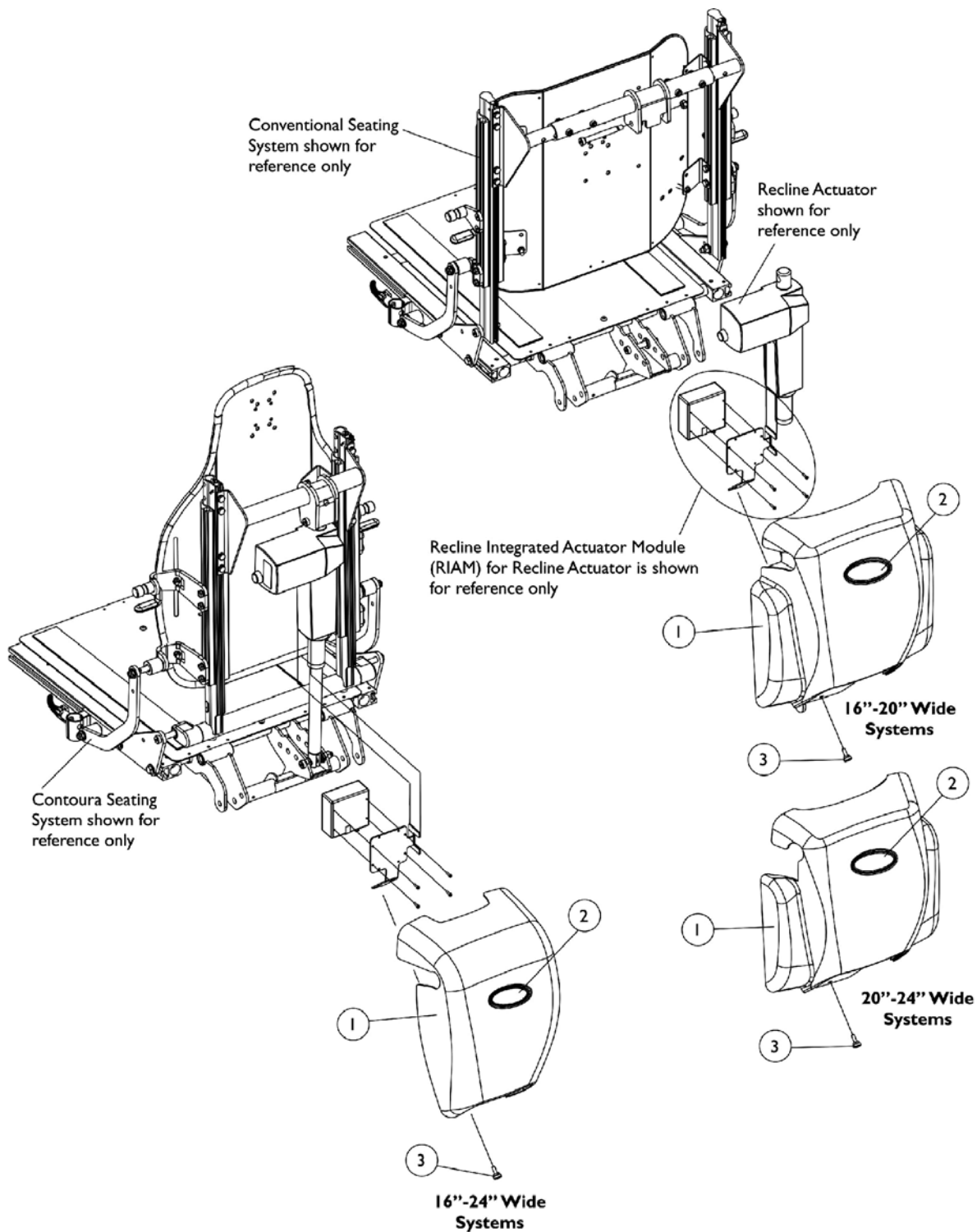
Conventional Tilt, Tilt w/ BPO or Tilt-Elevate w/ MK6i Electronics

Item Number	Note	Part Number	Description	Quantity Per		
				Package	Assembly	
1	C,A	1148231	Kit, MK6i Connector Shroud Mtg. Hdwr. 16-20" Wide For Conventional Tilt Only	1	1	
2			Bracket, Spreader Bar, Black - Right	1	1	
2			Bracket, Spreader Bar, Black - Left	1	1	
3			Screw, Hex Head (1/4-20 x 1-1/2")	1	2	
4			Spacer, Coved (1/4 x 11/16 x 1/2")	1	4	
6			Tube, Spreader Bar, Black (16 - 20" W)	1	1	
7			Collar, Anti-Rattle (7/8")	1	2	
8			Screw, Hex Head (1/4-20 x 5/8")	1	4	
9			Locknut (1/4-20)	1	6	
10			Plate, Mounting	1	1	
11			Tray, MK6i Connector Shroud Mounting	1	1	
12			C,B	1148232	Bracket, MK6i Connector, Black	1
1	Kit, MK6i Connector Shroud Mtg. Hdwr. 20-24" Wide For Conventional Tilt Only	1			1	
2	Bracket, Spreader Bar, Black - Right	1			1	
2	Bracket, Spreader Bar, Black - Left	1			1	
3	Screw, Hex Head (1/4-20 x 1-1/2")	1			4	
4	Spacer, Coved (1/4 x 11/16 x 1/2")	1			8	
5	Locknut (1/4-20)	1			2	
6	Tube, Spreader Bar, Black (20 - 24" W)	1			1	
7	Collar, Anti-Rattle (7/8")	1			2	
8	Screw, Hex Head (1/4-20 x 5/8")	1			4	
9	Locknut (1/4-20)	1			6	
10	Plate, Mounting	1			1	
11	Tray, MK6i Connector Shroud Mounting	1	1			
12	C	1154125	Bracket, MK6i Connector, Black	1	1	
12			Kit, MK6i Connector Bracket and Threaded Insert	1	1	
13			1117240	Screw, Thumb (#10-32 x 1/2")	1	1
14			1148151	Shroud, MK6i Connector	1	1
15			1095502-NLA	NLA - Package, Tie Wrap (11-1/2" L)	10	1

NOTE: A - Includes items 2-4 and 6-12
 B - Includes items 2-12
 C - Item 12 MK6i Connector Bracket was revised 4/28/08 and is backward compatible. When a new MK6i Connector Bracket is requested, order service part # 1154125.

Shroud Covers

Recline & Tilt/Recline Conventional or Contoura Seating w/ MK6i Electronics



Shroud Covers

Recline & Tilt/Recline Conventional or Contoura Seating w/ MK6i Electronics

Item Number	Note	Part Number	Description	Quantity Per	
				Package	Assembly
1		1146501-NLA	NLA - Cover with Decal, Contoura (16 - 24" W)	1	1
1		1146502-NLA	NLA - Cover with Decal, Conventional (16 - 20" W)	1	1
1		1146503-NLA	NLA - Cover with Decal, Conventional (20 - 24" W)	1	1
2		1090147-NLA	NLA - Decal, Invacare Medallion - Large	1	1
3		1117240	Screw, Thumb (#10-32 x 1/2")	1	1

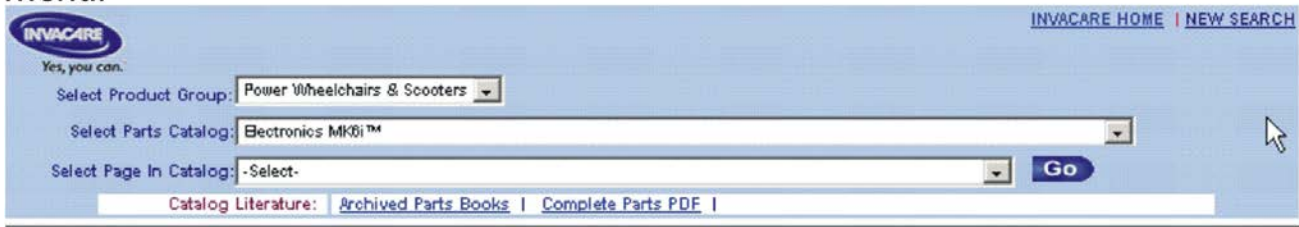
MK6i Electronics

If you are looking for **MK6i™ Electronics** introduced to the Formula TRE Powered Seating System for TDX Powered Wheelchairs on or about 10/9/06

The parts catalog information is now divided into three separate catalogs.

Web Page

The MK6i™ Electronics information can be found on the Invacare web page by selecting “Electronics MK6i™” in the “Select Parts Catalog” drop down menu.



INVACARE
Yes, you can.

INVACARE HOME | NEW SEARCH

Select Product Group: Power Wheelchairs & Scooters

Select Parts Catalog: Electronics MK6i™

Select Page In Catalog: -Select-

Go

Catalog Literature: [Archived Parts Books](#) | [Complete Parts PDF](#) |

Printed Catalog

The MK6i™ Electronics information can be found in printed copy at our Literature Fulfillment Center listed under form # 06-110 and titled “MK6i™ Electronics”.

MK5 Electronics

If you are looking for **MK5 Electronics** in the
Formula TRE Powered Seating System for TDX Powered Wheelchairs
Parts Catalog,

The parts catalog information is now divided into three separate catalogs.

Web Page

The MKIV Electronics information can be found on the Invacare web page by selecting “Formula TRE Powered Seating Front Riggings & MK5 Electronics” in the “Select Parts Catalog” drop down menu.

INVACARE
Yes, you can.

INVACARE HOME | NEW SEARCH

Select Product Group: Power Wheelchairs & Scooters

Select Parts Catalog: Formula™ TRE Powered Seating Front Riggings & MK5 Electronics --- TDX™ Powered Wheelchairs

Select Page In Catalog: -Select-

Go

Catalog Literature: [Archived Parts Books](#) | [Complete Parts PDF](#) |

Printed Catalog

The Mk5 Electronics information can be found in printed copy at our Literature Fulfillment Center listed under form # **06-102** and titled “Formula TRE Powered Seating Front Riggings & MKIV Electronics”.

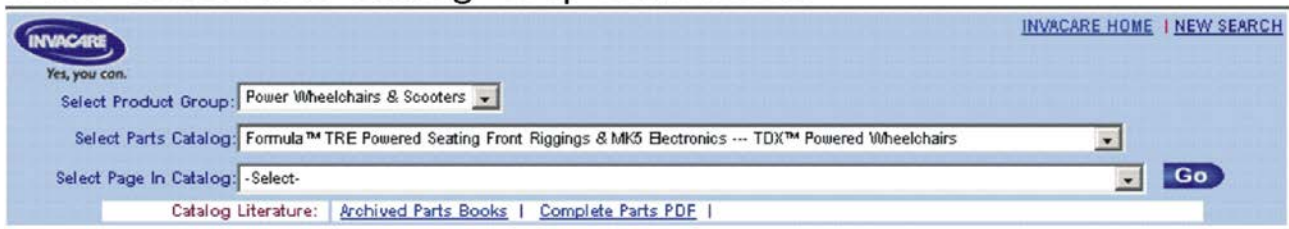
Front Riggings

If you are looking for **Front Riggings** in the Formula TRE Powered Seating System for TDX Powered Wheelchairs Parts Catalog,

The parts catalog information is now divided into three separate catalogs.

Web Page

The Front Riggings information can be found on the Invacare web page by selecting “Formula TRE Powered Seating Front Riggings & MK5 Electronics” in the “Select Parts Catalog” drop down menu.



The screenshot shows the Invacare website search interface. At the top left is the Invacare logo with the tagline "Yes, you can." and "INVACARE HOME | NEW SEARCH" at the top right. Below the logo, there are three dropdown menus: "Select Product Group:" with "Power Wheelchairs & Scooters" selected, "Select Parts Catalog:" with "Formula™ TRE Powered Seating Front Riggings & MK5 Electronics --- TDX™ Powered Wheelchairs" selected, and "Select Page In Catalog:" with "-Select-" selected. A blue "Go" button is to the right of the third dropdown. Below the dropdowns is a "Catalog Literature:" section with links for "Archived Parts Books" and "Complete Parts PDF".

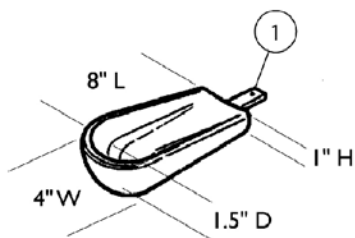
Printed Catalog

The Front Riggings information can be found in printed copy at our Literature Fulfillment Center listed under form # **06-102** and titled “Formula TRE Powered Seating Front Riggings & MKIV Electronics”.

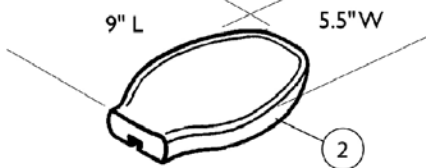
Arm Pads

Otto Bock

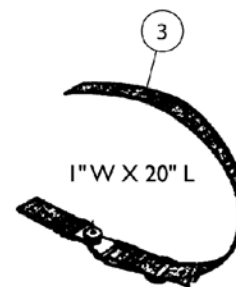
Channel Forearm Pads include all hardware and Instructions for attaching to a wheelchair or Elevating Swivel Unit. Hardware to attach a Hand Pad to the Channel Forearm Pad comes with the Channel Forearm Pad only. The Channel Forearm Pad hardware is not sold separately.



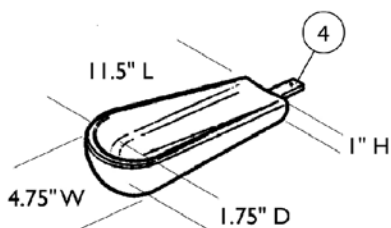
Small Channel Forearm Pad
0020700 ea.



Flat Hand Pad (Large)
0023000 ea.



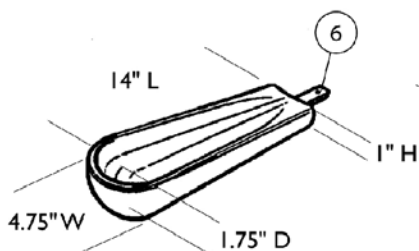
Hand/Forearm Pad Strap Kit
0021700 ea.



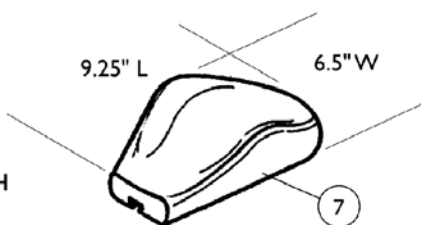
Medium Channel Forearm Pad
0020600 ea.



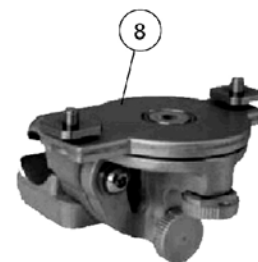
Flat Hand Pad (Medium)
0023300 ea.



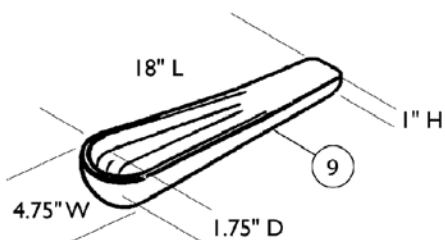
Large Channel Forearm Pad
0020500 ea.



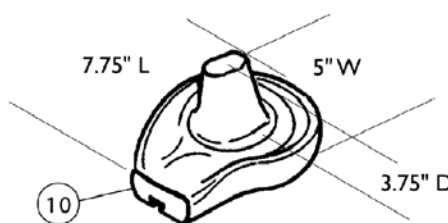
Palm Extensor Hand Pad
Right 0021600
Left 0021500



Elevating Swivel Unit 7/8"
Right or Left 1166835



One Piece Channel Forearm Pad
0020400 ea.



Cone Hand Pad
Right 0164900
Left 0164800

Arm Pads

Otto Bock

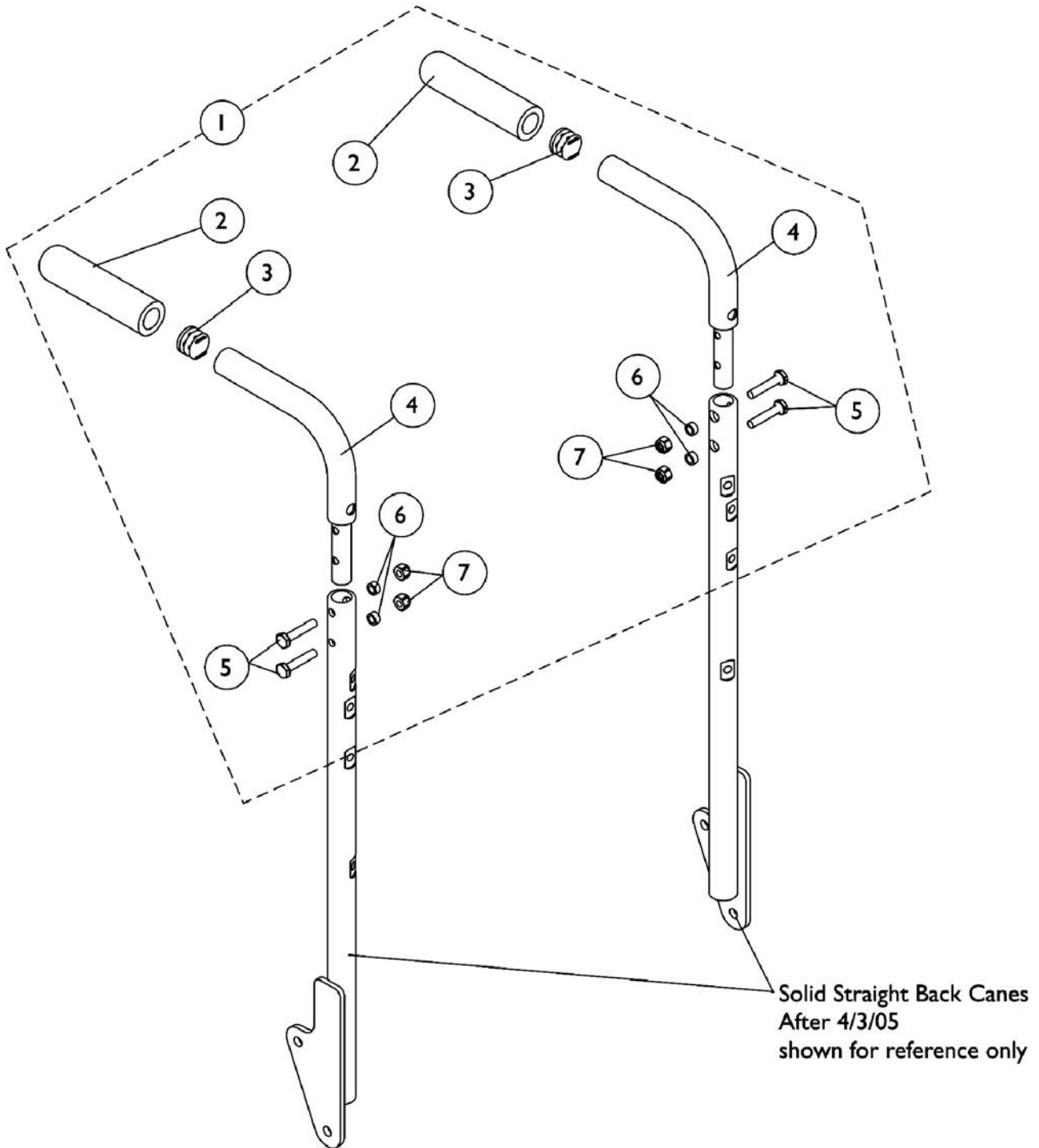
Channel Forearm Pads include all hardware and Instructions for attaching to a wheelchair or Elevating Swivel Unit. Hardware to attach a Hand Pad to the Channel Forearm Pad comes with the Channel Forearm Pad only. The Channel Forearm Pad hardware is not sold separately.

Item Number	Note	Part Number	Description	Quantity Per	
				Package	Assembly
1		0020700	Pad, Small Channel Forearm	1	1
2		0023000	Pad, Flat Hand - Large	1	1
3		0021700	Kit, Hand/ Forearm Pad Strap	1	1
4		0020600	Pad, Medium Channel Forearm	1	1
5		0023300	Pad, Flat Hand - Medium	1	1
6		0020500	Pad, Large Channel Forearm	1	1
7		0021600	Pad, Palm Extensor Hand - Right	1	1
7		0021500	Pad, Palm Extensor Hand - Left	1	1
8	A	1166835	Unit, Elevating Swivel - Right/Left (7/8")	1	1
9		0020400	Pad, One Piece Channel Forearm	1	1
10		0164900	Pad, Cone Hand - Right	1	1
10		0164800	Pad, Cone Hand - Left	1	1

NOTE: A - 0021400 Unit, Elevating Swivel - Right (7/8") and 0021300 Unit, Elevating Swivel - Left (7/8") are replaced with part number 1166835. The new Unit can be used on the right or left side of the wheelchair.

Back Cane Push Handle Attachments

Conventional Tilt and Tilt w/ BPO Option

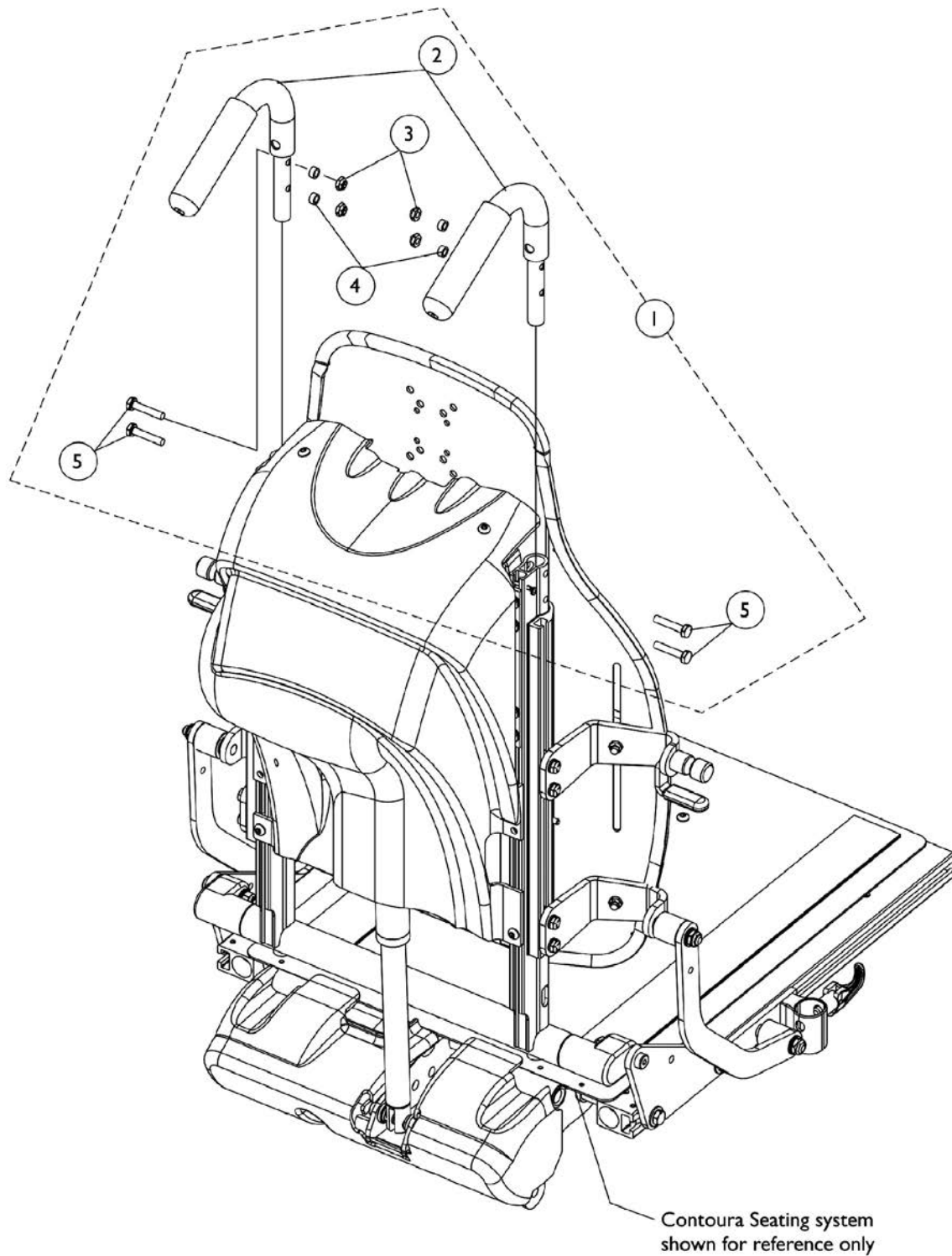


Back Cane Push Handle Attachments Conventional Tilt and Tilt w/ BPO Option

Item Number	Note	Part Number	Description	Quantity Per	
				Package	Assembly
1	A	1133259	Kit, Back Cane Push Handle Attachments (Pair)	1	1
2			Grip, Foam, Hand (4-1/2" L)	1	2
3			Plug Button, Black (7/8")	1	2
4			Attachment, Back Cane Push Handle	1	2
5			Screw, Hex Head (1/4-20 x 1-1/4")	1	4
6			Spacer (1/4 x 3/8 x 3/16")	1	4
7			Locknut (1/4-20)	1	4
NOTE: A - Includes items 2-7. For chairs manufactured before 4/4/05, new back canes may be required. See page titled "Back Canes, Solid Straight and Mounting Hardware, Conventional Tilt and Tilt w/ BPO Option"					

Back Cane Push Handle Attachments

Contoura Seating

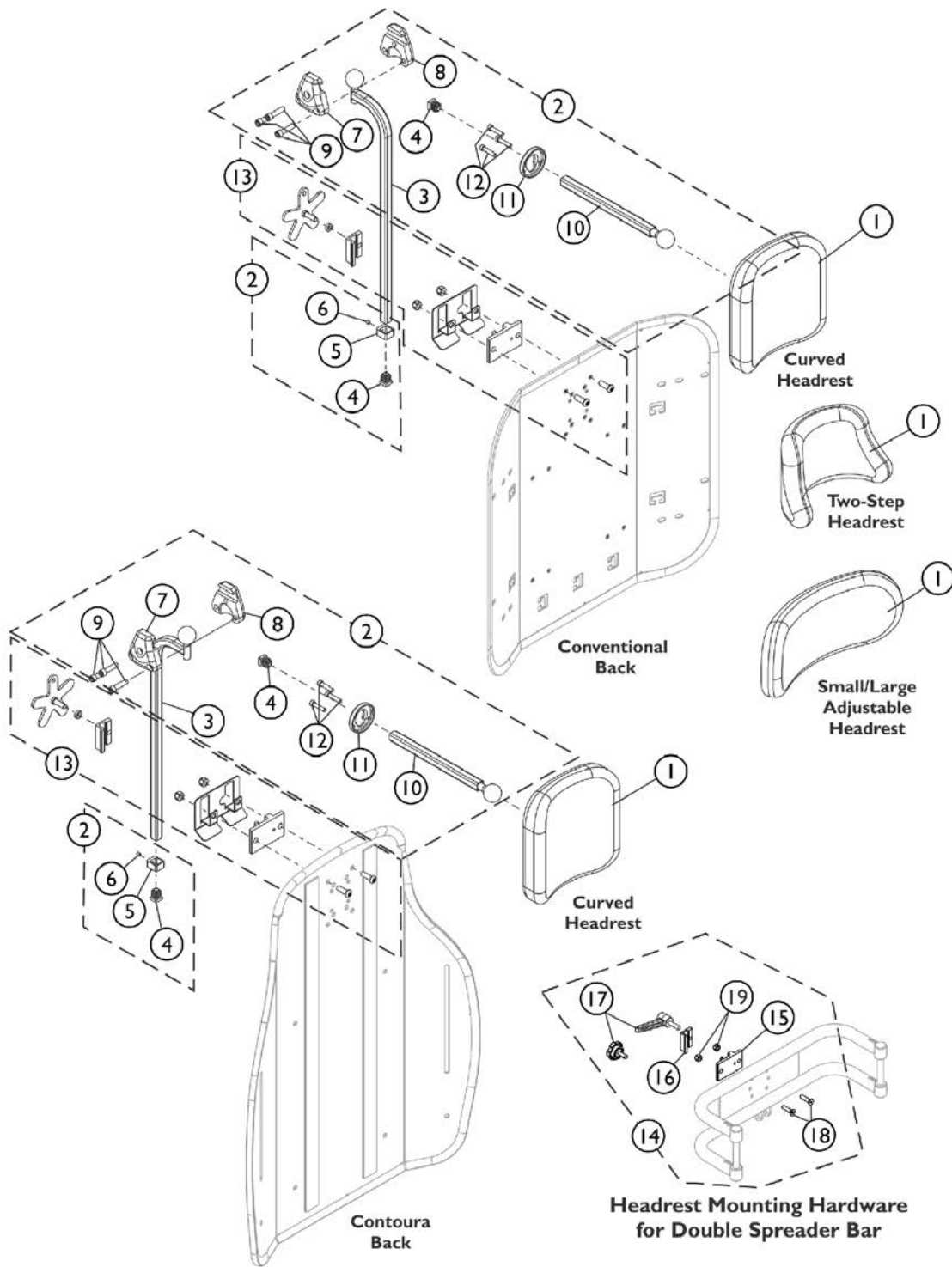


Back Cane Push Handle Attachments Contoura Seating

Item Number	Note	Part Number	Description	Quantity Per	
				Package	Assembly
1	A	1125706	Kit, Back Cane Push Handle Attachments (Pair)	1	1
2			Attachment, Back Cane Push Handle	1	2
3			Locknut (1/4-20)	1	4
4			Spacer (1/4 x 3/8 x 3/16")	1	4
5			Screw, Hex Head (1/4-20 x 1-1/4")	1	4

NOTE: A - Includes items 2-5

Headrest Support Assembly, Tarsys

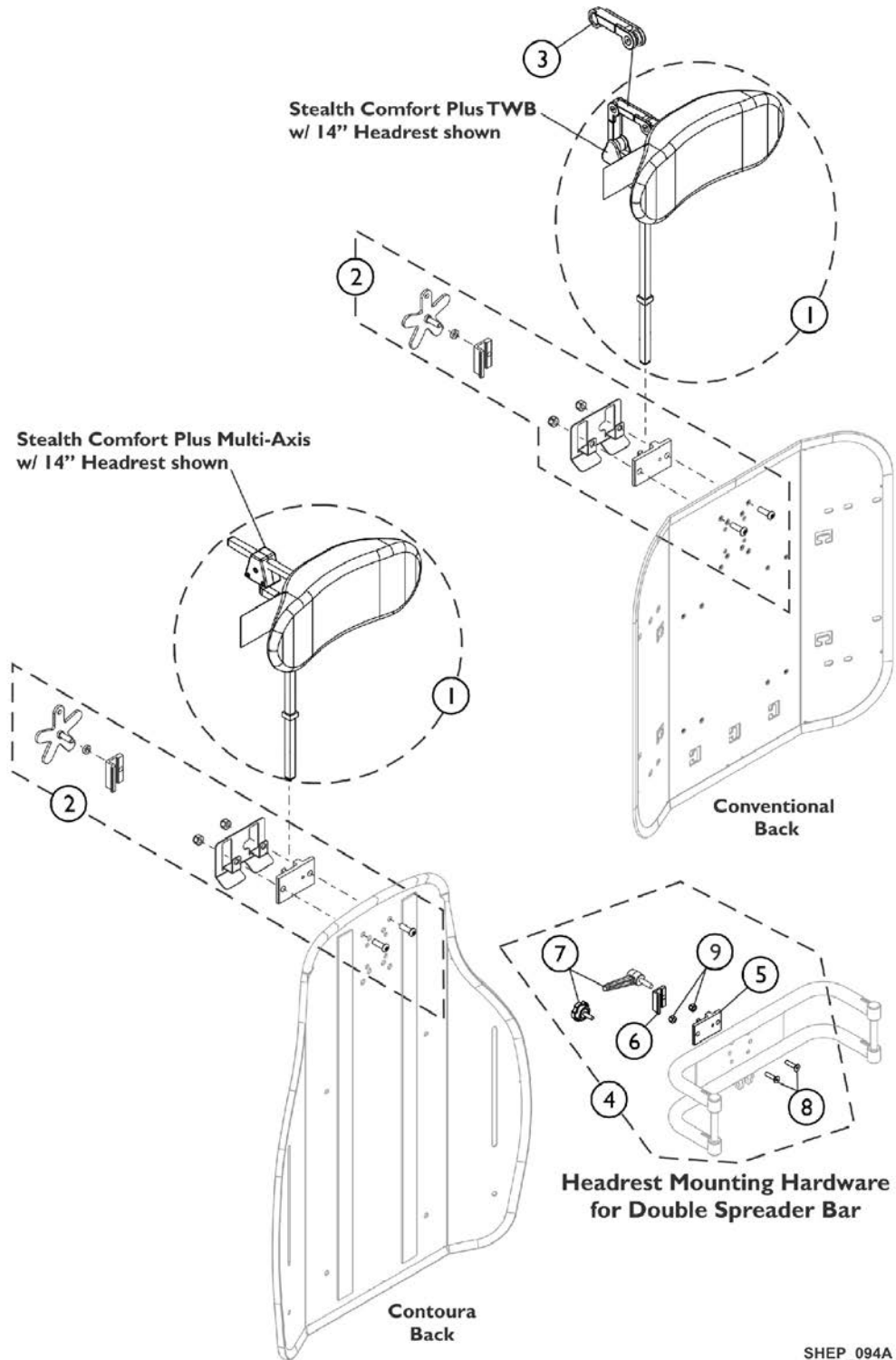


SHEP_093A

Headrest Support Assembly, Tarsys

Item Number	Note	Part Number	Description	Quantity Per	
				Package	Assembly
1		0127700	Headrest, Curved (6" W x 7" H)	1	1
1		0128000-NLA	NLA - Headrest, Two-Step (8-1/2" W x 5-1/2" H)	1	1
1		0022600	Kit, Headrest w/ Screws, Adjustable, Small, Otto Bock (9" W x 3-1/2" H)	1	1
1		0022400	Kit, Headrest w/ Screws, Adjustable, Large, Otto Bock (12" W x 6" H)	1	1
2	A	0197024	Fixture Assembly, Offset Support	1	1
3		0271524-NLA	NLA - Tube, Offset Fixture, Black	1	1
4		1077076-NLA	NLA - Plug Button, Square (1/2")	1	2
5		0271124-NLA	NLA - Collar, Offset Fixture Tube	1	1
6		0288606	Screw, Set Socket Cup Point (#10-24 x 3/16")	1	1
7		0271224	Half Clamp, Non-Threaded Holes	1	1
8		0271324	Half Clamp, Threaded Holes	1	1
9		1027268	Screw, Allen Head (1/4-20 x 1")	1	3
10		0271424-NLA	NLA - Tube, Fixture Adjustment	1	1
11		0283724	Ring, Fixture Clamp	1	1
12		0067006-NLA	NLA - Screw, Cap, Socket Head (#10-32 x 1/2")	1	3
13	B	1124686	Kit, Headrest Mounting Hardware	1	1
14	C,E	0273100	Kit, Headrest Clamp, Lever Style	1	1
15	D	0237422-NLA	NLA - Clamp, Small Bottom Half	1	1
16	D	0237522-NLA	NLA - Clamp, Small Top Half	1	1
17		1072439-NLA	NLA - Knob, Adjustment, Black (3/4" L Threads)	1	1
18		0288706	Screw, Socket, Flat Head (1/4-20 x 1")	1	2
19		1025736	Locknut (1/4-20)	1	2
<p>NOTE: A - Includes items 3-12 B - Individual components are not available. The Headrest Mounting Hardware Kit was revised to include a Wire Guard Bracket and is used for Conventional and Contoura Backs. The Headrest Mounting Hardware Kit is also backward compatible in the field. C - Includes items 15-19. Item 17 Adjustment Knob was replaced with an Adjustment Lever. The Lever is not available as a separate part. The knob Part # 1072439 is interchangeable with the Lever. D - Clamp is no longer available individually. See item 14 Clamp Assembly part number 0273100. E - Hardware can also be used with an Invacare Personal Back.</p>					

Headrest Support Assembly, Stealth CP175/CP275/CP180/CP280



SHEP_094A

Headrest Support Assembly, Stealth CP175/CP275/CP180/CP280

Item Number	Note	Part Number	Description	Quantity Per	
				Package	Assembly
1	A,H	1127408-NLA	NLA - Kit, Headrest 10" TWB Comfort Plus Stealth (CP280)	1	1
1	A,H	1127409-NLA	NLA - Kit, Headrest 14" TWB Comfort Plus Stealth (CP180)	1	1
1	A,H	1127410-NLA	NLA - Kit, Headrest 10" Multi-Axis Comfort Plus Stealth (CP275)	1	1
1	A	1127411-NLA	NLA - Kit, Headrest 14" Multi-Axis Comfort Plus Stealth (CP175)	1	1
2	B	1124686	Kit, Headrest Mounting Hardware	1	1
3	B,C	1127414	Kit, Link Extension Stealth	1	1
4	D,F,G	0273100	Kit, Headrest Clamp, Lever Style	1	1
5	E	0237422-NLA	NLA - Clamp, Small Bottom Half	1	1
6	E	0237522-NLA	NLA - Clamp, Small Top Half	1	1
7		1072439-NLA	NLA - Knob, Adjustment, Black (3/4" L Threads)	1	1
8		0288706	Screw, Socket, Flat Head (1/4-20 x 1")	1	2
9		1025736	Locknut (1/4-20)	1	2

NOTE: A - The mounting hardware will contain a lever and star knob tightening device. Disregard the lever that is provided standard by stealth and use the star knob designed for the Formula TRE systems.

B - Individual components are not available. The Headrest Mounting Hardware Kit was revised to include a Wire Guard Bracket and is used for Conventional and Contoura Backs. The Headrest Mounting Hardware Kit is also backward compatible in the field.

C - The Stealth Link Extension used on the Stealth Comfort Plus TWB models only

D - Includes items 5-9. Item 7 Adjustment Knob was replaced with an Adjustment Lever. The Lever is not available as a separate part. The knob Part # 1072439 is interchangeable with the Lever.

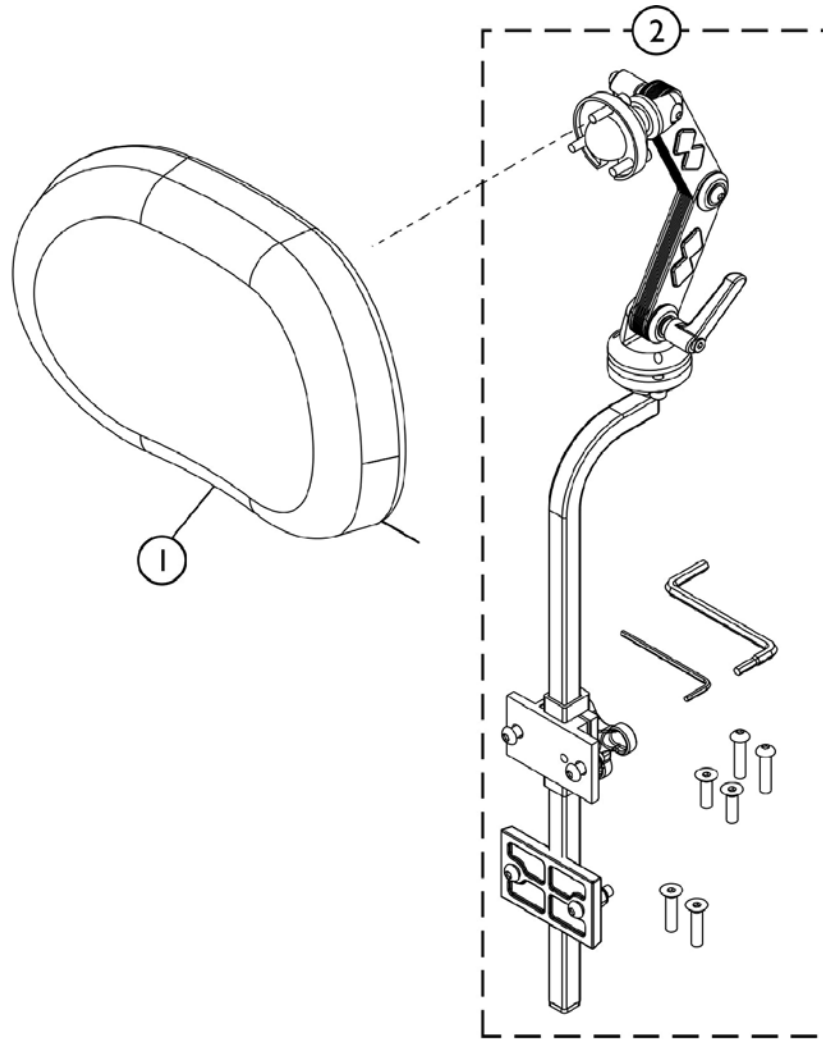
E - Clamp is no longer available individually. See item 4 Clamp Assembly part number 0273100.

F - Hardware can also be used with an Invacare/Matrix Personal Back, Matrix PB Posture Back and Matrix Elite Backs.

G - For Matrix Elite Backs, item #4 Headrest Clamp Kit attaches to an Adapter Plate that is only included with the Adapter Plate Kit model numbers EHRA-S, EHRA-M or EHRA-L. Refer to the Matrix Rehab Seating and Positioning Pricelist for additional information.

H - Stealth Headrest No Longer Available. See page titled "Headrest Support Assembly - Matrix Elan MEHSP-10, 14" for replacement.

Headrest Support Assembly - Matrx Elan (MEHSP-10,14)



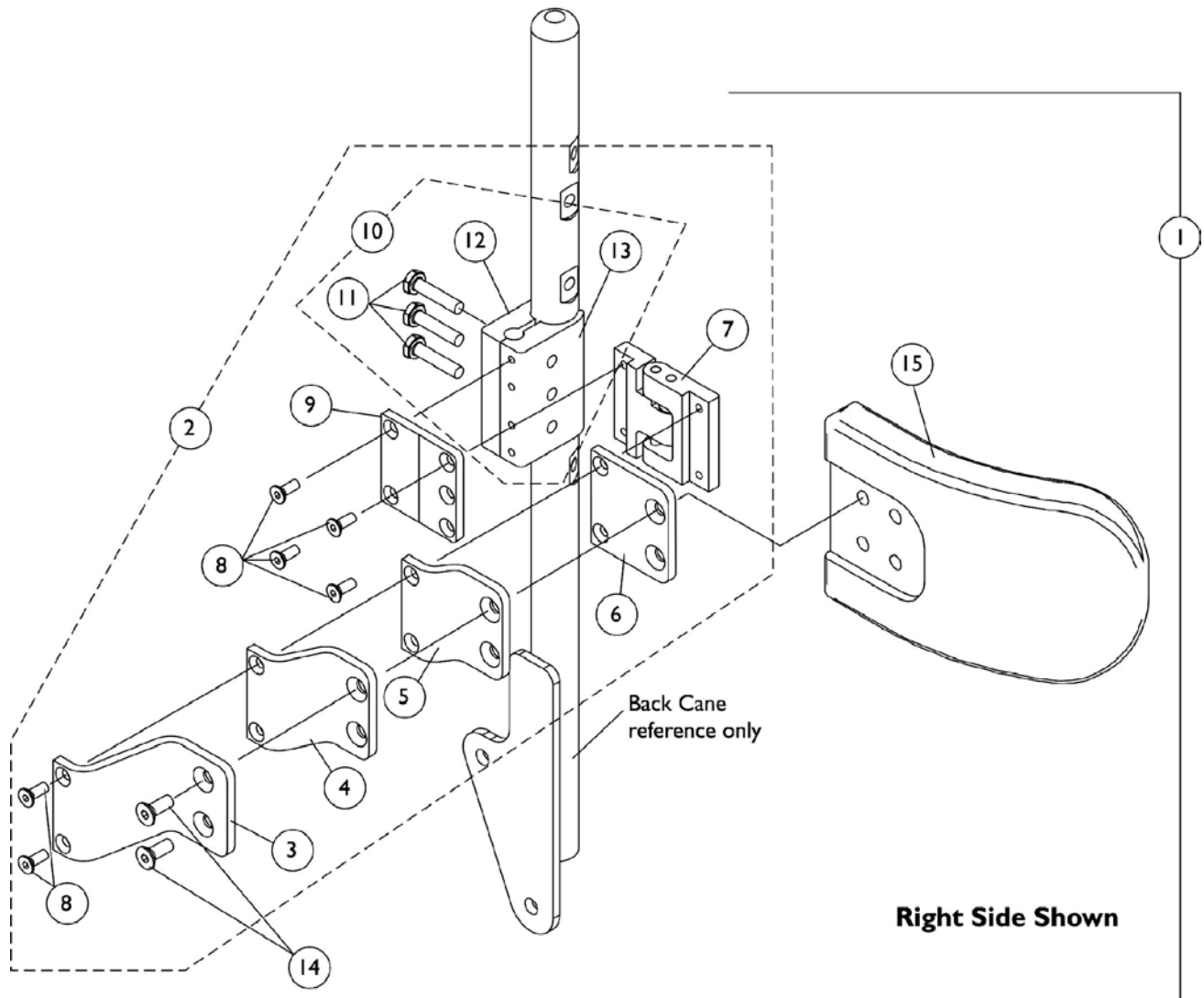
SHEP_262A

Item Number	Note	Part Number	Description	Quantity Per	
				Package	Assembly
1	A	60102830	Kit, Matrx Elan Standard Headrest Pad (10" W)	1	1
1	B	60102833	Kit, Matrx Elan Standard Headrest Pad (14" W)	1	1
2	C	60102826	Kit, Elan Multi-Axis Articulating Headrest Mounting Hardware	1	1

NOTE: A - For model MEHSP-10
 B - For model MEHSP-14
 C - For model MEMAH

Lateral Support Assembly, Tarsys TMSLM/TMSLL

Conventional Tilt and Tilt w/ BPO Option



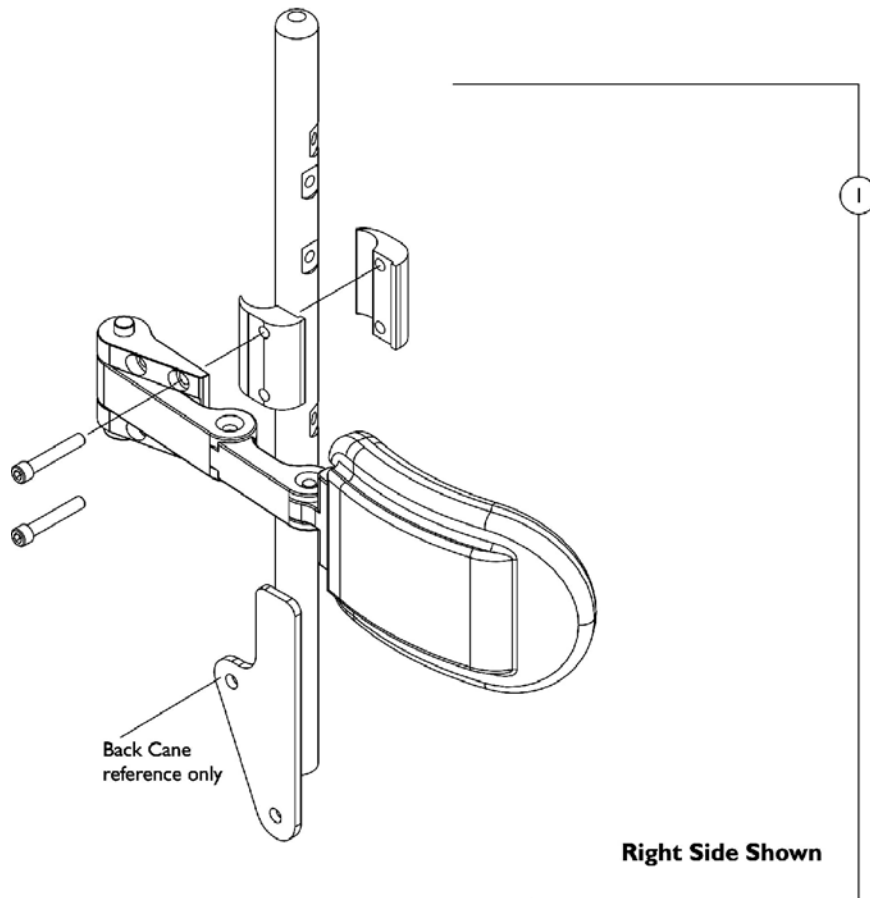
Lateral Support Assembly, Tarsys TMSLM/TMSLL Conventional Tilt and Tilt w/ BPO Option

Item Number	Note	Part Number	Description	Quantity Per	
				Package	Assembly
1	A	1107298	Kit, Swingaway Lateral Support Assemblies w/ Medium Pads (Pair)	1	1
3			Bracket, Extension Offset, Black (2")	1	2
4			Bracket, Extension Offset, Black (1")	1	2
5			Bracket, Extension Offset, Black (1/2")	1	2
6			Bracket, Flush Mount, Black	1	2
7			Bracket, Swingaway, Cane Clamp, Black - Right	1	1
7			Bracket, Swingaway, Cane Clamp, Black - Left	1	1
8			Screw, Socket Flat Head (#10-32 x 1/2")	1	12
9			Bracket, Mounting, Black	1	2
11			NLA - Screw, Hex Head (1/4-20 x 1-1/8")	1	6
12			Half Clamp, Non-Threaded Holes	1	2
13			NLA - Half Clamp, Threaded Holes	1	2
14			Screw, Socket Flat Head (1/4-20 x 1/2")	1	4
15			Pad, Lateral Support - Medium (6" W x 4" H)	1	2
1	A	1107299	Kit, Swingaway Lateral Support Assemblies w/ Large Pads (Pair)	1	1
3			Bracket, Extension Offset, Black (2")	1	2
4			Bracket, Extension Offset, Black (1")	1	2
5			Bracket, Extension Offset, Black (1/2")	1	2
6			Bracket, Flush Mount, Black	1	2
7			Bracket, Swingaway, Cane Clamp, Black - Right	1	1
7			Bracket, Swingaway, Cane Clamp, Black - Left	1	1
8			Screw, Socket Flat Head (#10-32 x 1/2")	1	12
9			Bracket, Mounting, Black	1	2
11			NLA - Screw, Hex Head (1/4-20 x 1-1/8")	1	6
12			Half Clamp, Non-Threaded Holes	1	2
13			NLA - Half Clamp, Threaded Holes	1	2
14			Screw, Socket Flat Head (1/4-20 x 1/2")	1	4
15			Pad, Lateral Support - Large (6" W x 5" H)	1	2
2	B	1107245	Kit, Swingaway Bracket Assembly with Offset Brackets, Cane Clamp - Right	1	1
3			Bracket, Extension Offset, Black (2")	1	1
4			Bracket, Extension Offset, Black (1")	1	1
5			Bracket, Extension Offset, Black (1/2")	1	1
6			Bracket, Flush Mount, Black	1	1
7			Bracket, Swingaway, Cane Clamp, Black - Right	1	1
8			Screw, Socket Flat Head (#10-32 x 1/2")	1	6
9			Bracket, Mounting, Black	1	1
11			NLA - Screw, Hex Head (1/4-20 x 1-1/8")	1	3
12			Half Clamp, Non-Threaded Holes	1	1
13			NLA - Half Clamp, Threaded Holes	1	1
2	B	1107246	Kit, Swingaway Bracket Assembly with Offset Brackets, Cane Clamp - Left	1	1

Lateral Support Assembly, Tarsys TMSLM/TMSLL Conventional Tilt and Tilt w/ BPO Option

Item Number	Note	Part Number	Description	Quantity Per	
				Package	Assembly
3			Bracket, Extension Offset, Black (2")	1	1
4			Bracket, Extension Offset, Black (1")	1	1
5			Bracket, Extension Offset, Black (1/2")	1	1
6			Bracket, Flush Mount, Black	1	1
7			Bracket, Swingaway, Cane Clamp, Black - Left	1	1
8			Screw, Socket Flat Head (#10-32 x 1/2")	1	6
9			Bracket, Mounting, Black	1	1
11			NLA - Screw, Hex Head (1/4-20 x 1-1/8")	1	3
12			Half Clamp, Non-Threaded Holes	1	1
13			NLA - Half Clamp, Threaded Holes	1	1
10	C	1107117	Kit, Lateral Support Mounting Hardware	1	1
11			NLA - Screw, Hex Head (1/4-20 x 1-1/8")	1	3
12			Half Clamp, Non-Threaded Holes	1	1
13			NLA - Half Clamp, Threaded Holes	1	1
NOTE: A - Includes items 3-9 and 11-15 B - Includes items 3-9 and 11-13 C - Includes items 11-13					

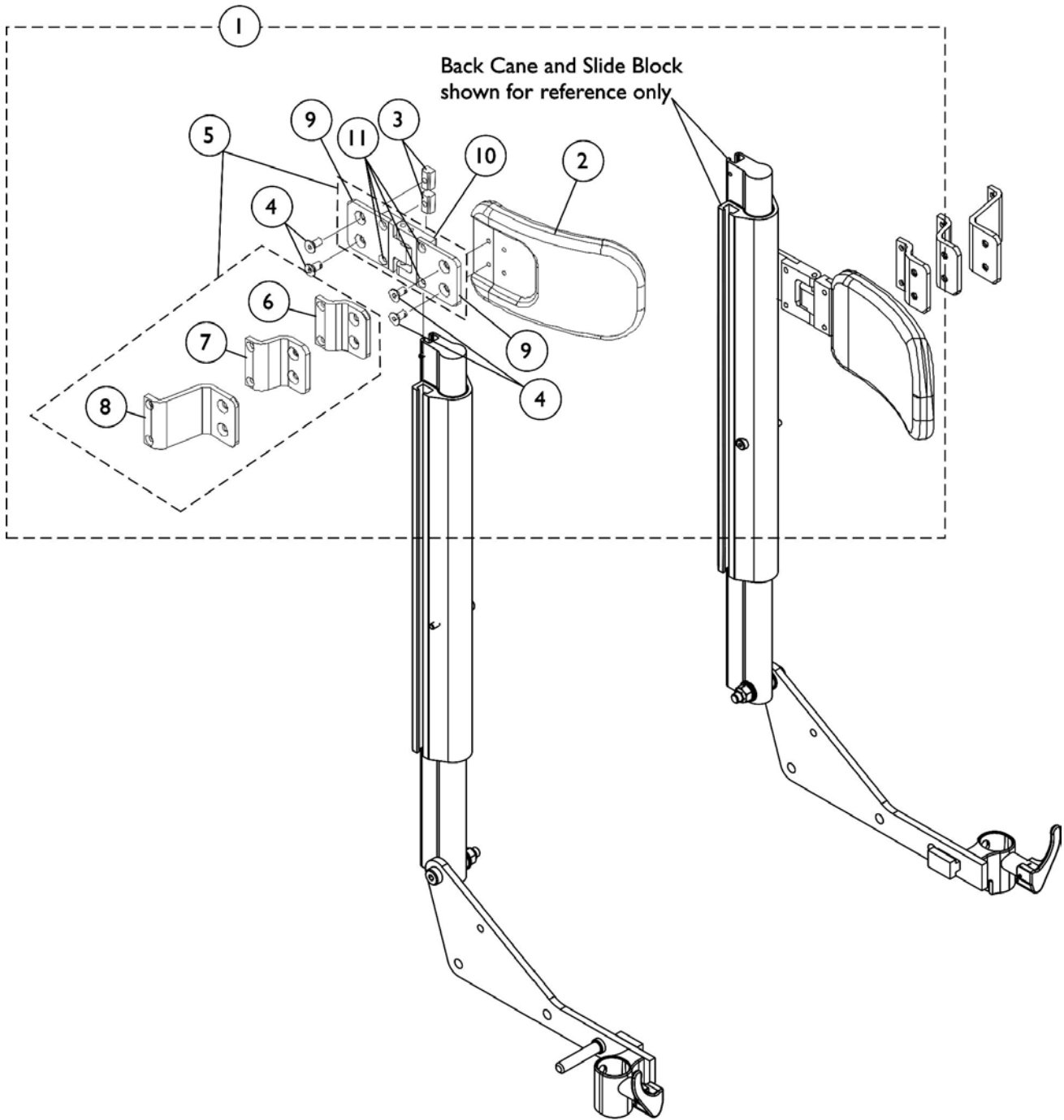
Lateral Support Assembly, Stealth TWB-RPR/TWB-RPRL Conventional Tilt & Tilt w/ BPO Option



Item Number	Note	Part Number	Description	Quantity Per	
				Package	Assembly
1	A	1125826	Kit, Swingaway Lateral Support Assemblies w/ Medium Pads (5" W x 3" H), Stealth (TWB-RPR) (Pair)	1	1
1	A	1125823	Kit, Swingaway Lateral Support Assemblies w/ Large Pads (6" W x 4" H), Stealth (TWB-RPRL) (Pair)	1	1

NOTE: A - Individual components are not available

Lateral Support Assembly, Tarsys TMSLM/TMSLL For Conventional Recline, Tilt/Recline & Recline w/ BPO Option

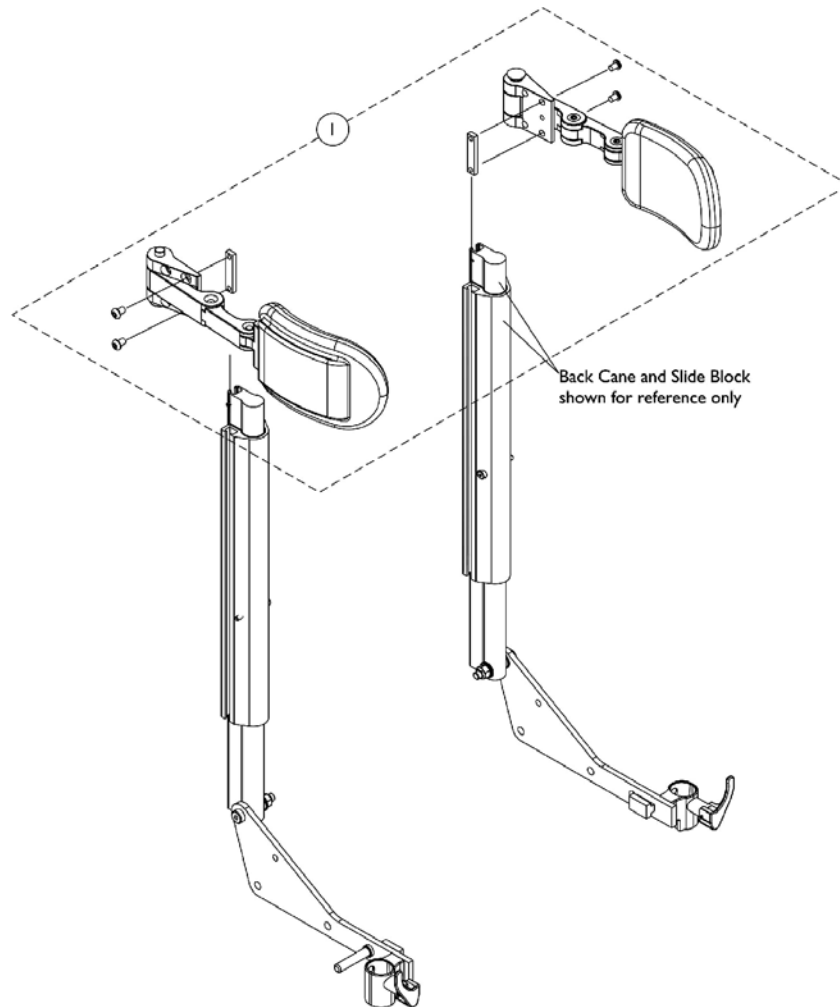


Lateral Support Assembly, Tarsys TMSLM/TMSLL For Conventional Recline, Tilt/Recline & Recline w/ BPO Option

Item Number	Note	Part Number	Description	Quantity Per	
				Package	Assembly
1	A	1090200	Kit, Swingaway Lateral Support Assembly w/ Medium Pads (Pair)	2	1
2			Pad, Lateral Support - Medium (6" W x 4" H)	1	2
3			T-Nut (1/4-20)	1	4
4			Screw, Socket Flat Head (1/4-20 x 1/2")	1	8
6			Bracket, Extension Offset, Black (1/2")	1	2
7			Bracket, Extension Offset, Black (1")	1	2
8			Bracket, Extension Offset, Black (2")	1	2
9			Bracket, Flush Mount, Black	1	4
10			Bracket, Swingaway - Right	1	1
10			NLA - Bracket, Swingaway - Left	1	1
11			Screw, Socket Flat Head (#10-32 x 1/2")	1	8
1	A	1090201	Kit, Swingaway Lateral Support Assembly w/ Large Pads (Pair)	2	1
2			Pad, Lateral Support - Large (6" W x 5" H)	1	2
3			T-Nut (1/4-20)	1	4
4			Screw, Socket Flat Head (1/4-20 x 1/2")	1	8
6			Bracket, Extension Offset, Black (1/2")	1	2
7			Bracket, Extension Offset, Black (1")	1	2
8			Bracket, Extension Offset, Black (2")	1	2
9			Bracket, Flush Mount, Black	1	4
10			Bracket, Swingaway - Right	1	1
10			NLA - Bracket, Swingaway - Left	1	1
11			Screw, Socket Flat Head (#10-32 x 1/2")	1	8
5	B	1090198	Kit, Swingaway Bracket Assembly w/ Offset Brackets - Right	1	1
6			Bracket, Extension Offset, Black (1/2")	1	1
7			Bracket, Extension Offset, Black (1")	1	1
8			Bracket, Extension Offset, Black (2")	1	1
9			Bracket, Flush Mount, Black	1	2
10			Bracket, Swingaway - Right	1	1
11			Screw, Socket Flat Head (#10-32 x 1/2")	1	4
5	B	1090199	Kit, Swingaway Bracket Assembly w/ Offset Brackets - Left	1	1
6			Bracket, Extension Offset, Black (1/2")	1	1
7			Bracket, Extension Offset, Black (1")	1	1
8			Bracket, Extension Offset, Black (2")	1	1
9			Bracket, Flush Mount, Black	1	2
10			NLA - Bracket, Swingaway - Left	1	1
11			Screw, Socket Flat Head (#10-32 x 1/2")	1	4
NOTE: A - Includes items 2-4 and 6-11 B - Includes items 6-11					

Lateral Support Assembly, Stealth TWB-TPR/TWB-TPRL

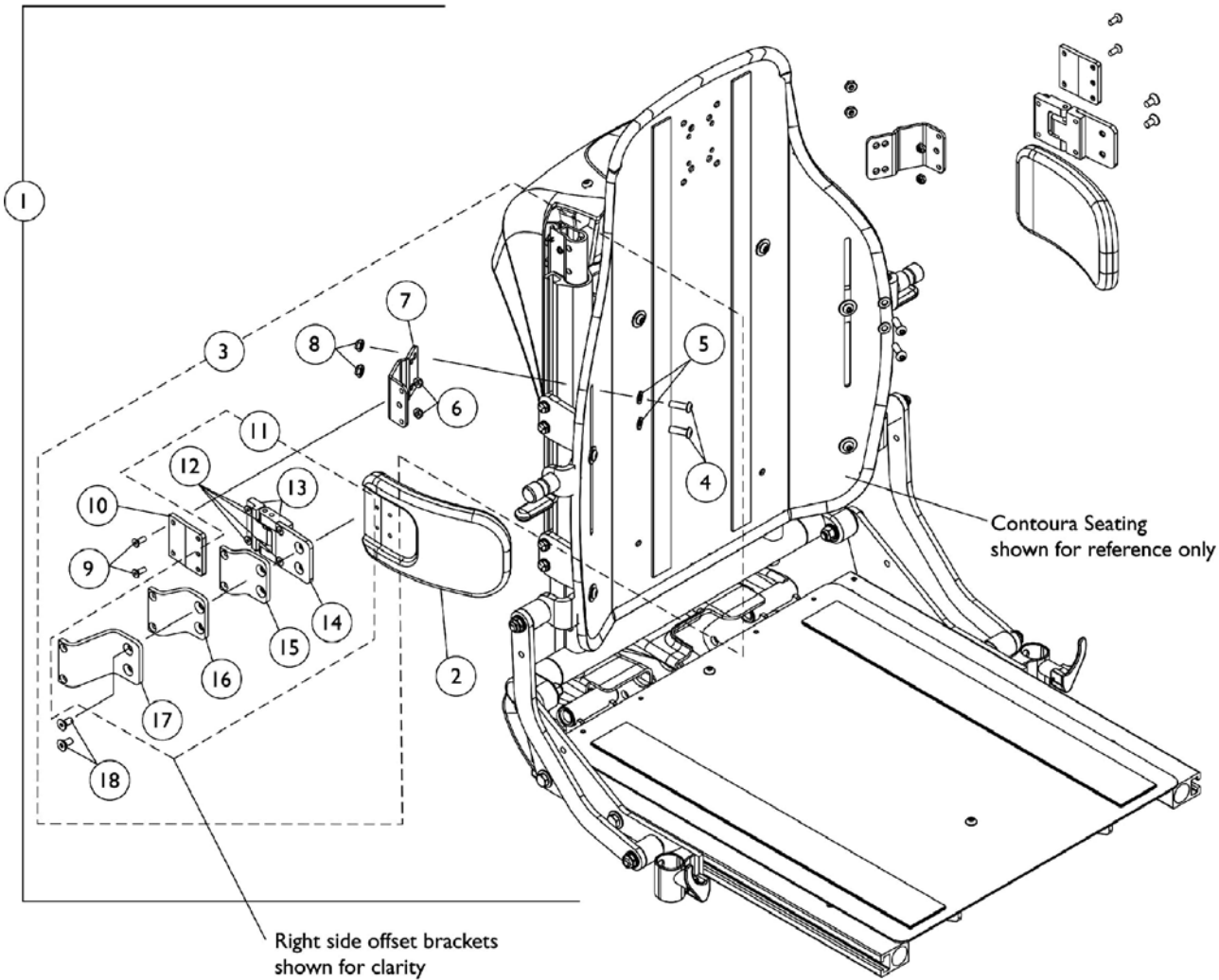
Conventional Recline, Tilt/Recline & Recline w/ BPO Option



Item Number	Note	Part Number	Description	Quantity Per	
				Package	Assembly
1	A	1125825	Kit, Swingaway Lateral Support Assembly w/ Medium Pads (5" W x 3" H), Stealth (TWB-TPR) (Pair)	2	1
1	A	1125821	Kit, Swingaway Lateral Support Assembly w/ Large Pads (6" W x 4" H), Stealth (TWB-TPRL) (Pair)	2	1

NOTE: A - Individual components are not available

Lateral Support Assembly, Tarsys CSLM/CSLL Contoura Seating



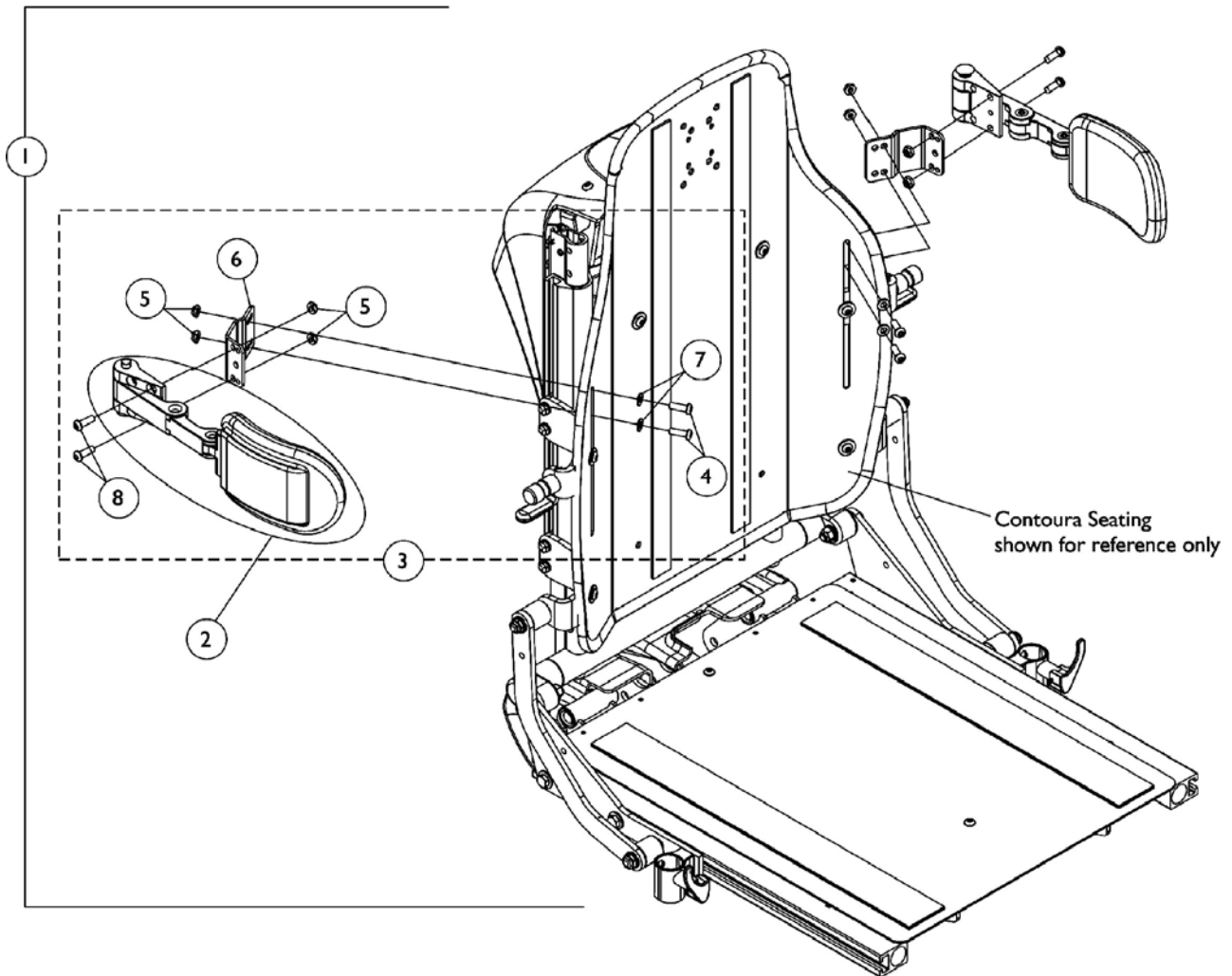
Lateral Support Assembly, Tarsys CSLM/CSLL Contoura Seating

Item Number	Note	Part Number	Description	Quantity Per	
				Package	Assembly
1	A	1128353	Kit, Lateral Support Assemblies w/ Medium Pads (Pair)	1	1
2			Pad, Lateral Support - Medium (6" W x 4" H)	1	2
4			Screw, Socket Button (1/4-20 x 3/4")	1	4
5			Washer (1/4 x 1/2 x 1/16")	1	4
6			Locknut (#10-32)	1	4
7			Bracket, Positioning Strap, Black	1	2
8			Locknut (1/4-20)	1	4
9			Screw, Socket Flat Head (#10-32 x 1/2")	1	4
10			Bracket, Mounting, Black	1	2
12			Screw, Socket Flat Head (#10-32 x 1/2")	1	4
13			Bracket, Swingaway - Right	1	1
13			NLA - Bracket, Swingaway - Left	1	1
14			Bracket, Flush Mount, Black	1	2
15			Bracket, Extension Offset, Black (1/2")	1	2
16			Bracket, Extension Offset, Black (1")	1	2
17			Bracket, Extension Offset, Black (2")	1	2
18			Screw, Socket Flat Head (1/4-20 x 1/2")	1	4
1	A	1128354	Kit, Lateral Support Assemblies w/ Large Pads (Pair)	1	1
2			Pad, Lateral Support - Large (6" W x 5" H)	1	2
4			Screw, Socket Button (1/4-20 x 3/4")	1	4
5			Washer (1/4 x 1/2 x 1/16")	1	4
6			Locknut (#10-32)	1	4
7			Bracket, Positioning Strap, Black	1	2
8			Locknut (1/4-20)	1	4
9			Screw, Socket Flat Head (#10-32 x 1/2")	1	4
10			Bracket, Mounting, Black	1	2
12			Screw, Socket Flat Head (#10-32 x 1/2")	1	4
13			Bracket, Swingaway - Right	1	1
13			NLA - Bracket, Swingaway - Left	1	1
14			Bracket, Flush Mount, Black	1	2
15			Bracket, Extension Offset, Black (1/2")	1	2
16			Bracket, Extension Offset, Black (1")	1	2
17			Bracket, Extension Offset, Black (2")	1	2
18			Screw, Socket Flat Head (1/4-20 x 1/2")	1	4
3	B	1125780	Kit, Lateral Support Mounting Hardware (Pair)	1	1
4			Screw, Socket Button (1/4-20 x 3/4")	1	4
5			Washer (1/4 x 1/2 x 1/16")	1	4
6			Locknut (#10-32)	1	4
7			Bracket, Positioning Strap, Black	1	2
8			Locknut (1/4-20)	1	4
9			Screw, Socket Flat Head (#10-32 x 1/2")	1	4

Lateral Support Assembly, Tarsys CSLM/CSLL Contoura Seating

Item Number	Note	Part Number	Description	Quantity Per	
				Package	Assembly
10			Bracket, Mounting, Black	1	2
12			Screw, Socket Flat Head (#10-32 x 1/2")	1	4
13			Bracket, Swingaway - Right	1	1
13			NLA - Bracket, Swingaway - Left	1	1
14			Bracket, Flush Mount, Black	1	2
15			Bracket, Extension Offset, Black (1/2")	1	2
16			Bracket, Extension Offset, Black (1")	1	2
17			Bracket, Extension Offset, Black (2")	1	2
18			Screw, Socket Flat Head (1/4-20 x 1/2")	1	4
11	C	1090198	Kit, Swingaway Bracket Assembly w/ Offset Brackets - Right	1	1
12			Screw, Socket Flat Head (#10-32 x 1/2")	1	4
13			Bracket, Swingaway - Right	1	1
14			Bracket, Flush Mount, Black	1	2
15			Bracket, Extension Offset, Black (1/2")	1	1
16			Bracket, Extension Offset, Black (1")	1	1
17			Bracket, Extension Offset, Black (2")	1	1
11	C	1090199	Kit, Swingaway Bracket Assembly w/ Offset Brackets - Left	1	1
12			Screw, Socket Flat Head (#10-32 x 1/2")	1	4
13			NLA - Bracket, Swingaway - Left	1	1
14			Bracket, Flush Mount, Black	1	2
15			Bracket, Extension Offset, Black (1/2")	1	1
16			Bracket, Extension Offset, Black (1")	1	1
17			Bracket, Extension Offset, Black (2")	1	1
NOTE: A - Includes items 2, 4-10 and 12-18 B - Includes items 4-10 and 12-18 C - Includes items 12-17					

Lateral Support Assembly, Stealth TWB-CPR/TWB-CPRL Contoura Seating

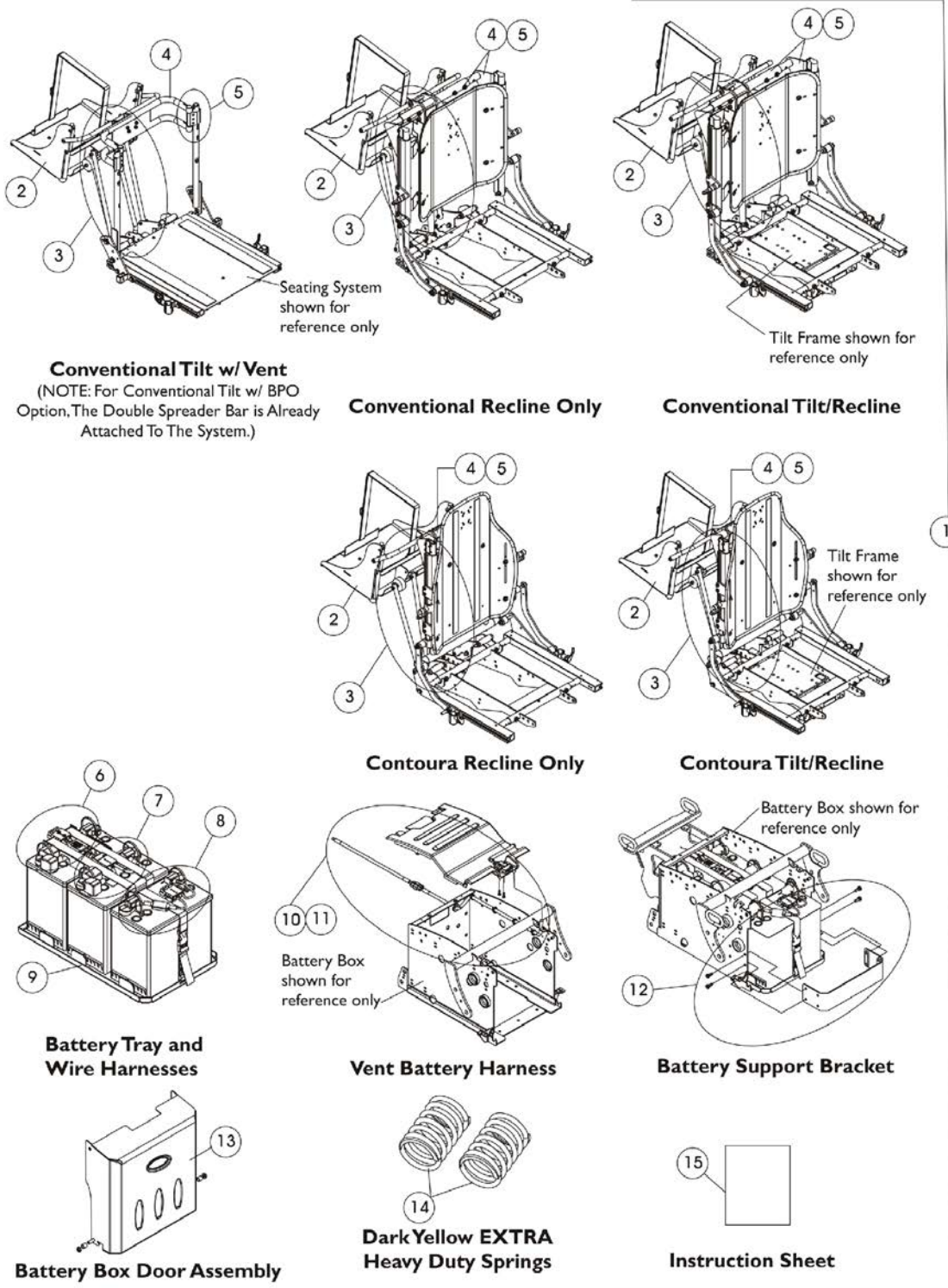


Lateral Support Assembly, Stealth TWB-CPR/TWB-CPRL Contoura Seating

Item Number	Note	Part Number	Description	Quantity Per	
				Package	Assembly
1	A	1128734	Kit, Swingaway Lateral Support Assemblies w/ Medium Pads (5" W x 3" H), Stealth (Pair)	1	1
2			Support, Swingaway Lateral w/ Medium Pads (5" W x 3" H), Stealth (TWB-CPR)	2	1
4			Screw, Socket Button (1/4-20 x 3/4")	1	4
5			Locknut (1/4-20)	1	8
6			Bracket, Positioning Strap, Black	1	2
7			Washer (1/4 x 1/2 x 1/16")	1	4
8			Screw, Socket Button Head (1/4-20 x 1/2")	1	4
1	A	1128735	Kit, Swingaway Lateral Support Assemblies w/ Large Pads (6" W x 4" H), Stealth (Pair)	1	1
2			Support, Swingaway Lateral w/ Large Pads (6" W x 4" H), Stealth (TWB-CPRL)	2	1
4			Screw, Socket Button (1/4-20 x 3/4")	1	4
5			Locknut (1/4-20)	1	8
6			Bracket, Positioning Strap, Black	1	2
7			Washer (1/4 x 1/2 x 1/16")	1	4
8			Screw, Socket Button Head (1/4-20 x 1/2")	1	4
3	B	1128733	Kit, Swingaway Lateral Support Mounting Hardware, Stealth (Pair)	1	1
4			Screw, Socket Button (1/4-20 x 3/4")	1	4
5			Locknut (1/4-20)	1	8
6			Bracket, Positioning Strap, Black	1	2
7			Washer (1/4 x 1/2 x 1/16")	1	4
8			Screw, Socket Button Head (1/4-20 x 1/2")	1	4
NOTE: A - Includes items 2 and 4-8 B - Includes items 4-8					

Vent Tray Kits

NOTE: Vent Tray Kits are not available for chairs with Elevate Option



Vent Tray Kits

NOTE: Vent Tray Kits are not available for chairs with Elevate Option

Conventional Tilt w/ Conventional Back 16, 17, 18, 19, 20" Wide

Item #	Description	Conv. Tilt w/ Conv. Back 16" Wide	Conv. Tilt w/ Conv. Back 17" Wide	Conv. Tilt w/ Conv. Back 18" Wide	Conv. Tilt w/ Conv. Back 19" Wide	Conv. Tilt w/ Conv. Back 20" Wide	Qty. Per Asbly.
1.	Vent Tray Kit & Service Manual	1142994-NLA See Note(s) A	1142995-NLA See Note(s) A	1142996-NLA See Note(s) A	1142997-NLA See Note(s) A	1142998-NLA See Note(s) A	1
2.	Kit, Vent Tray Assembly without Mounting Hardware	1125708	1125708	1125708	1125708	1125708	1
3.	Kit, Vent Tray Mounting Hardware	1125805	1125805	1125805	1125805	1125805	1
4.	Spreader Bar Assembly	0013602	0013702	0013802	0013902	0014002	1
5.	Spreader Bar Mounting Hardware	1125761	1125761	1125761	1125761	1125761	1
6.	Battery Wire Harness with Terminal Hardware, 22NF Rear	1120363	1120363	1120363	1120363	1120363	1
7.	Battery Wire Harness with Terminal Hardware, 22NF Front	1120362	1120362	1120362	1120362	1120362	1
8.	Battery Wire Harness with Terminal Hardware, 22NF Vent	1121143	1121143	1121143	1121143	1121143	1
9.	Battery Tray Assembly, TDX 22NF For Vent	1121142-NLA	1121142-NLA	1121142-NLA	1121142-NLA	1121142-NLA	1
10.	Kit, Vent Battery Harness Assembly with Hardware	1121029-NLA	1121029-NLA	1121029-NLA	1121029-NLA	1121029-NLA	1

Vent Tray Kits

NOTE: Vent Tray Kits are not available for chairs with Elevate Option

Conventional Tilt w/ Conventional Back 16, 17, 18, 19, 20" Wide

Item #	Description	Conv. Tilt w/ Conv. Back 16" Wide	Conv. Tilt w/ Conv. Back 17" Wide	Conv. Tilt w/ Conv. Back 18" Wide	Conv. Tilt w/ Conv. Back 19" Wide	Conv. Tilt w/ Conv. Back 20" Wide	Qty. Per Asbly.
11.	Kit, Vent Battery Harness Assembly with Hardware For TRBKTS Option	1139531	1139531	1139531	1139531	1139531	1
12.	Kit, Battery Support Bracket Assembly - For Vent "Option" System w/ 22NF Batteries See Note(s) B	1139541-NLA	1139541-NLA	1139541-NLA	1139541-NLA	1139541-NLA	1
13.	Kit, Battery Box Door Assembly, 22NF Long (For Vent) See Note(s) B	1121072-NLA	1121072-NLA	1121072-NLA	1121072-NLA	1121072-NLA	1
14.	Spring, Dark Yellow; EXTRA Heavy Duty	1125645 See Note(s) C	1125645 See Note(s) C	1125645 See Note(s) C	1125645 See Note(s) C	1125645 See Note(s) C	2
15.	Instruction Sheet, Formula TRE Vent Tray Kit	1143185-NLA	1143185-NLA	1143185-NLA	1143185-NLA	1143185-NLA	1

NOTE: A - Vent Tray Kit includes items 2-15.
 B - Includes Battery Box Door.
 C - Spring color changed from Sunny Yellow to Dark Yellow 3/22/10. It is recommended to order springs in pairs to match color and maintain equal spring tension on both sides of the wheelchair

Vent Tray Kits

NOTE: Vent Tray Kits are not available for chairs with Elevate Option

(Conventional Tilt w/ Conventional Back 21, 22, 23, 24" Wide) & (Conventional Tilt w/ BPO Option)

Item #	Description	Conv. Tilt w/ Conv. Back 21" Wide	Conv. Tilt w/ Conv. Back 22" Wide	Conv. Tilt w/ Conv. Back 23" Wide	Conv. Tilt w/ Conv. Back 24" Wide	Conv. Tilt w/ BPO Option	Qty. Per Asbly.
1.	Vent Tray Kit & Service Manual	1142999-NLA See Note(s) A	1143000-NLA See Note(s) A	1143001-NLA See Note(s) A	1143002-NLA See Note(s) A	1143003-NLA See Note(s) A	1
2.	Kit, Vent Tray Assembly without Mounting Hardware	1125708	1125708	1125708	1125708	1125708	1
3.	Kit, Vent Tray Mounting Hardware	1125805	1125805	1125805	1125805	1125805	1
4.	Spreader Bar Assembly	0014102	0014202	0284202-NLA	0284302-NLA	N/A	1
5.	Spreader Bar Mounting Hardware	1125761	1125761	1125761	1125761	N/A	1
6.	Battery Wire Harness with Terminal Hardware, 22NF Rear	1120363	1120363	1120363	1120363	1120363	1
7.	Battery Wire Harness with Terminal Hardware, 22NF Front	1120362	1120362	1120362	1120362	1120362	1
8.	Battery Wire Harness with Terminal Hardware, 22NF Vent	1121143	1121143	1121143	1121143	1121143	1
9.	Battery Tray Assembly, TDX 22NF For Vent	1121142-NLA	1121142-NLA	1121142-NLA	1121142-NLA	1121142-NLA	1
10.	Kit, Vent Battery Harness Assembly with Hardware	1121029	1121029	1121029	1121029	1121029	1

Vent Tray Kits

NOTE: Vent Tray Kits are not available for chairs with Elevate Option

(Conventional Tilt w/ Conventional Back 21, 22, 23, 24" Wide) & (Conventional Tilt w/ BPO Option)

Item #	Description	Conv. Tilt w/ Conv. Back 21" Wide	Conv. Tilt w/ Conv. Back 22" Wide	Conv. Tilt w/ Conv. Back 23" Wide	Conv. Tilt w/ Conv. Back 24" Wide	Conv. Tilt w/ BPO Option	Qty. Per Asbly.
11.	Kit, Vent Battery Harness Assembly with Hardware For TRBKTS Option	1139531	1139531	1139531	1139531	1139531	1
12.	Kit, Battery Support Bracket Assembly - For Vent "Option" System w/ 22NF Batteries See Note(s) B	1139541-NLA	1139541-NLA	1139541-NLA	1139541-NLA	1139541-NLA	1
13.	Kit, Battery Box Door Assembly, 22NF Long (For Vent) See Note(s) B	1121072-NLA	1121072-NLA	1121072-NLA	1121072-NLA	1121072-NLA	1
14.	Spring, Dark Yellow; EXTRA Heavy Duty	1125645 See Note(s) C	1125645 See Note(s) C	1125645 See Note(s) C	1125645 See Note(s) C	1125645 See Note(s) C	2
15.	Instruction Sheet, Formula TRE Vent Tray Kit	1143185-NLA	1143185-NLA	1143185-NLA	1143185-NLA	1143185-NLA	1
<p>NOTE: A - Vent Tray Kit includes items 2-15. The Conventional Tilt w/ BPO Option omits items 2 and 3. B - Includes Battery Box Door. C - Spring color changed from Sunny Yellow to Dark Yellow 3/22/10. It is recommended to order springs in pairs to match color and maintain equal spring tension on both sides of the wheelchair</p>							

Vent Tray Kits

NOTE: Vent Tray Kits are not available for chairs with Elevate Option

Conventional Recline, Tilt/Recline 16-24" Wide

Item #	Description	Conv. Recline 16-20" Wide	Conv. Recline 20-24" Wide	Conv. Tilt/Recline 16-20" Wide	Conv. Tilt/Recline 20-24" Wide	Qty. Per Asbly.
1.	Vent Tray Kit & Service Manual	1143004-NLA See Note(s) A	1143005-NLA See Note(s) A	1143006-NLA See Note(s) A	1143007-NLA See Note(s) A	1
2.	Kit, Vent Tray Assembly without Mounting Hardware	1125708	1125708	1125708	1125708	1
3.	Kit, Vent Tray Mounting Hardware	1125819-NLA	1125819-NLA	1125800	1125800	1
4.	Spreader Bar Assembly	1125767-NLA	1125769-NLA	1125767-NLA	1125769-NLA	1
5.	Spreader Bar Mounting Hardware	1125765	1125765	1125765	1125765	1
6.	Battery Wire Harness with Terminal Hardware, 22NF Rear	1120363	1120363	1120363	1120363	1
7.	Battery Wire Harness with Terminal Hardware, 22NF Front	1120362	1120362	1120362	1120362	1
8.	Battery Wire Harness with Terminal Hardware, 22NF Vent	1121143	1121143	1121143	1121143	1
9.	Battery Tray Assembly, TDX 22NF For Vent	1121142-NLA	1121142-NLA	1121142-NLA	1121142-NLA	1
10.	Kit, Vent Battery Harness Assembly with Hardware	1121029	1121029	1121029	1121029	1
11.	Kit, Vent Battery Harness Assembly with Hardware For TRBKTS Option	1139531	1139531	1139531	1139531	1

Vent Tray Kits

NOTE: Vent Tray Kits are not available for chairs with Elevate Option

Conventional Recline, Tilt/Recline 16-24" Wide

Item #	Description	Conv. Recline 16-20" Wide	Conv. Recline 20-24" Wide	Conv. Tilt/Recline 16-20" Wide	Conv. Tilt/Recline 20-24" Wide	Qty. Per Asbly.
12.	Kit, Battery Support Bracket Assembly - For Vent "Option" System w/ 22NF Batteries See Note(s) B	1139541-NLA	1139541-NLA	1139541-NLA	1139541-NLA	1
13.	Kit, Battery Box Door Assembly, 22NF Long (For Vent) See Note(s) B	1121072-NLA	1121072-NLA	1121072-NLA	1121072-NLA	1
14.	Spring, Dark Yellow; EXTRA Heavy Duty	1125645 See Note(s) C	1125645 See Note(s) C	1125645 See Note(s) C	1125645 See Note(s) C	2
15.	Instruction Sheet, Formula TRE Vent Tray Kit	1143185-NLA	1143185-NLA	1143185-NLA	1143185-NLA	1

NOTE: A - Vent Tray Kit includes items 2-15
 B - Includes Battery Box Door.
 C - Spring color changed from Sunny Yellow to Dark Yellow 3/22/10. It is recommended to order springs in pairs to match color and maintain equal spring tension on both sides of the wheelchair

Vent Tray Kits

NOTE: Vent Tray Kits are not available for chairs with Elevate Option

Contoura Tilt, Tilt/Recline and Recline

Item #	Description	Contoura Tilt & T/R	Contoura Recline	Qty. Per Asbly.
1.	Vent Tray Kit & Service Manual	1143008-NLA See Note(s) A	1143009-NLA See Note(s) A	1
2.	Kit, Vent Tray Assembly without Mounting Hardware	1125708	1125708	1
3.	Kit, Vent Tray Mounting Hardware	1125800-NLA	1125819-NLA	1
4.	Spreader Bar Assembly	1125788-NLA	1125788-NLA	1
5.	Spreader Bar Mounting Hardware	1125765	1125765	1
6.	Battery Wire Harness with Terminal Hardware, 22NF Rear	1120363	1120363	1
7.	Battery Wire Harness with Terminal Hardware, 22NF Front	1120362	1120362	1
8.	Battery Wire Harness with Terminal Hardware, 22NF Vent	1121143	1121143	1
9.	Battery Tray Assembly, TDX 22NF For Vent	1121142-NLA	1121142-NLA	1
10.	Kit, Vent Battery Harness Assembly with Hardware	1121029	1121029	1
11.	Kit, Vent Battery Harness Assembly with Hardware For TRBKTS Option	1139531	1139531	1
12.	Kit, Battery Support Bracket Assembly - For Vent "Option" System w/ 22NF Batteries See Note(s) B	1139541-NLA	1139541-NLA	1
13.	Kit, Battery Box Door Assembly, 22NF Long (For Vent) See Note(s) B	1121072-NLA	1121072-NLA	1
14.	Spring, Dark Yellow; EXTRA Heavy Duty	1125645 See Note(s) C	1125645 See Note(s) C	2
15.	Instruction sheet, Formula TRE Vent Tray Kit	1143185-NLA	1143185-NLA	1

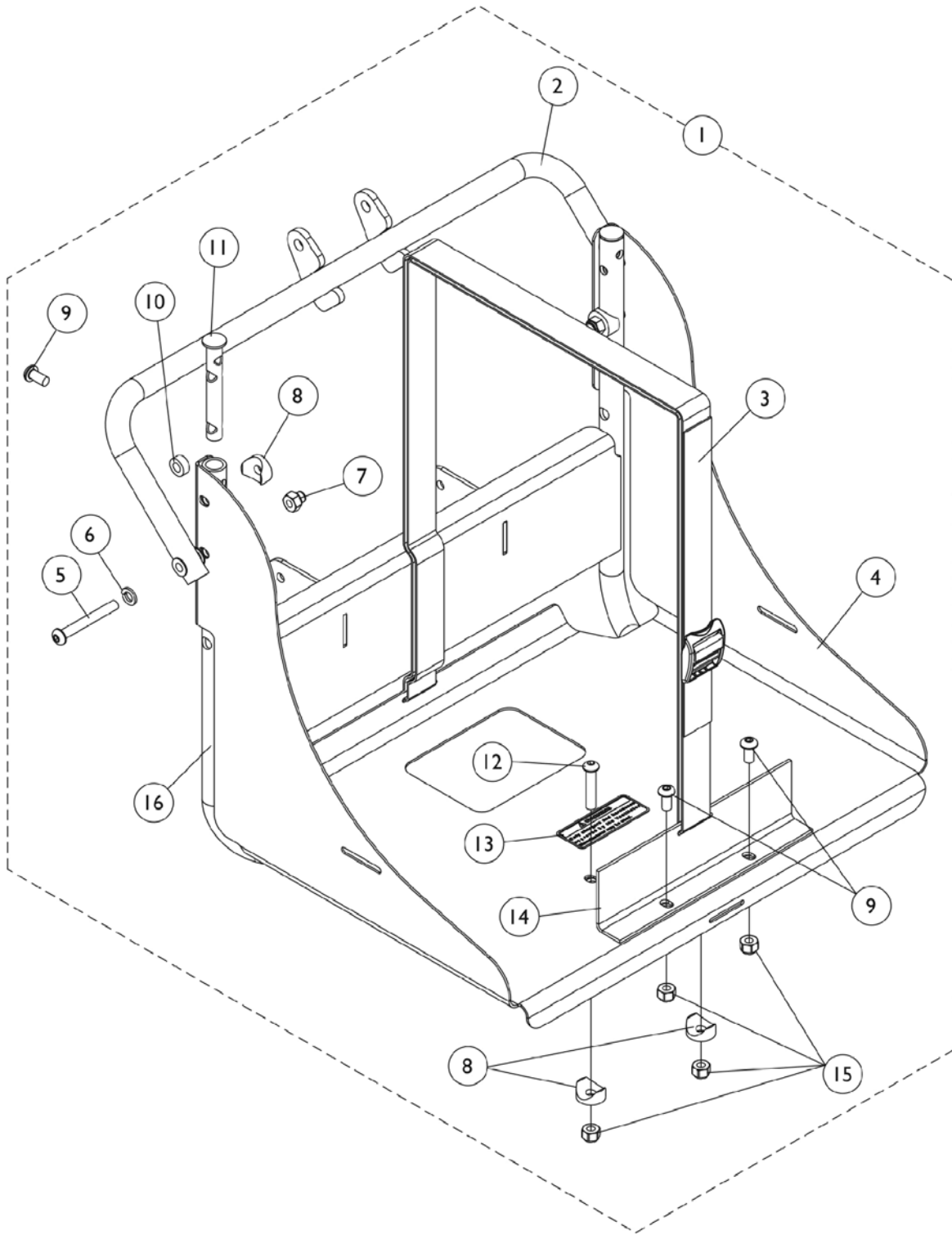
Vent Tray Kits

NOTE: Vent Tray Kits are not available for chairs with Elevate Option

NOTE: A - Vent Tray Kit includes items 2-15
B - Includes Battery Box Door.
C - Spring color changed from Sunny Yellow to Dark Yellow 3/22/10. It is recommended to order springs in pairs to match color and maintain equal spring tension on both sides of the wheelchair

Vent Tray Assembly without Mounting Hardware

NOTE: When adding a Vent Tray Assembly in the field for the first time, refer to page titled "Accessories, Vent Tray Kits"



Vent Tray Assembly without Mounting Hardware

NOTE: When adding a Vent Tray Assembly in the field for the first time, refer to page titled "Accessories, Vent Tray Kits"

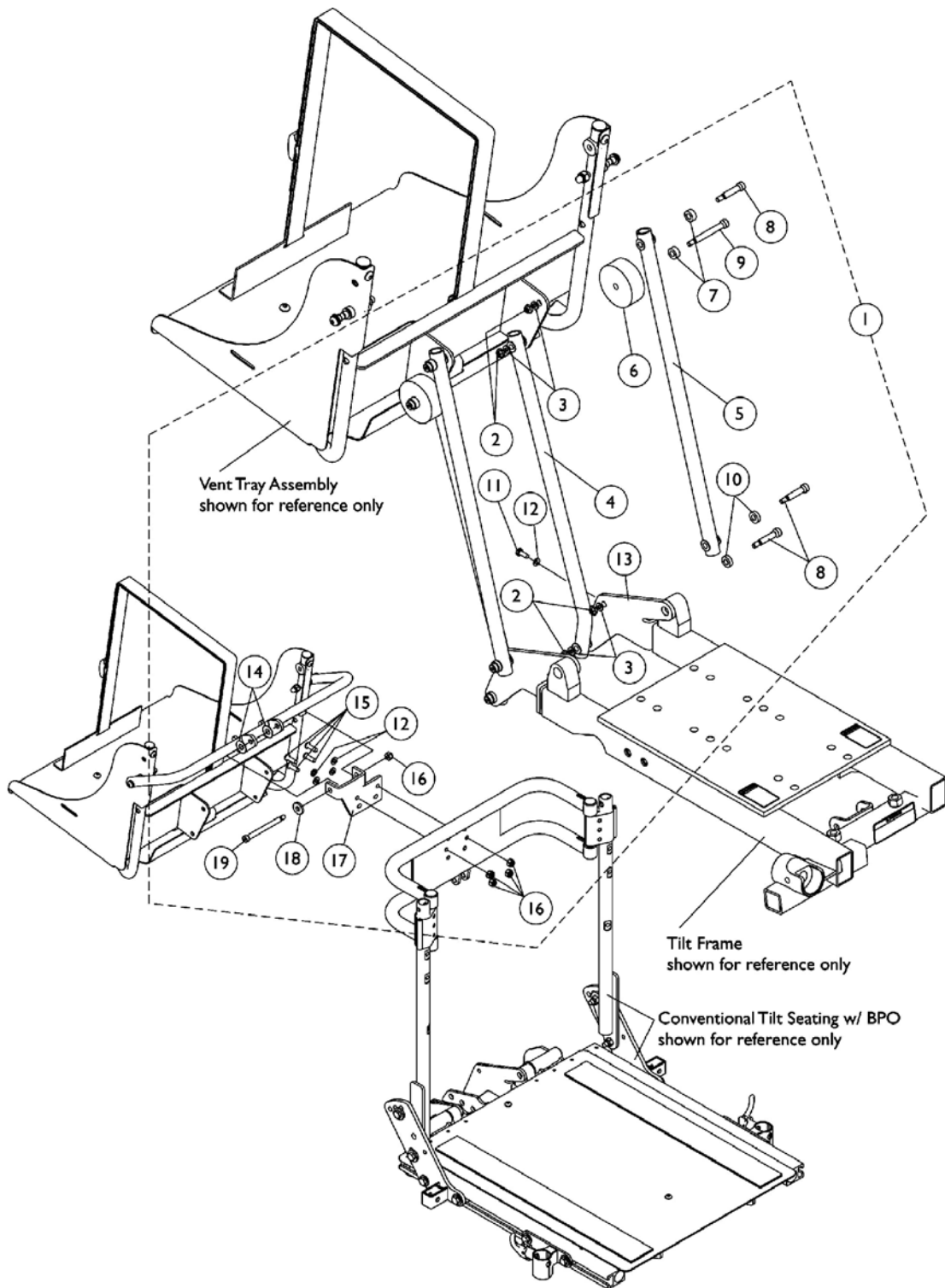
Item Number	Note	Part Number	Description	Quantity Per	
				Package	Assembly
1	A	1125708	Vent Tray Assembly	1	1
2			NLA - Vent Tray Hanger Assembly	1	1
3			NLA - Strap and Buckle Assembly	1	1
4			NLA - Tray, Vent	1	1
5			Screw, Socket Button Head (1/4-20 x 2")	1	2
6			Lockwasher, Split (1/4")	1	2
7			Nut, Hex with Nylon Cap (1/4-20)	1	2
8			Spacer, Coved (1/4 x 3/4 x 11/32")	1	4
9			Screw, Socket Button Head (1/4-20 x 1/2")	1	4
10			NLA - Spacer	1	2
11			NLA - Plug, Slide Tube	1	2
12			Screw, Socket Button Head (1/4-20 x 1-1/4")	1	2
13			NLA - Decal, Warning, Approved Charger and Harness	1	1
14			NLA - Bracket, Vent Tray, Black	1	1
15			Locknut (1/4-20)	1	4
16			Frame, Vent Tray, Upper Support, Black	1	1

NOTE: A - Includes items 2-16. When adding a Vent Tray Assembly in the field for the first time, refer to page titled "Accessories, Vent Tray Kits"

Vent Tray Mounting Hardware

Conventional Tilt and BPO Option

NOTE: When adding a Vent Tray Assembly in the field for the first time, refer to page titled "Accessories, Vent Tray Kits"



Vent Tray Mounting Hardware Conventional Tilt and BPO Option

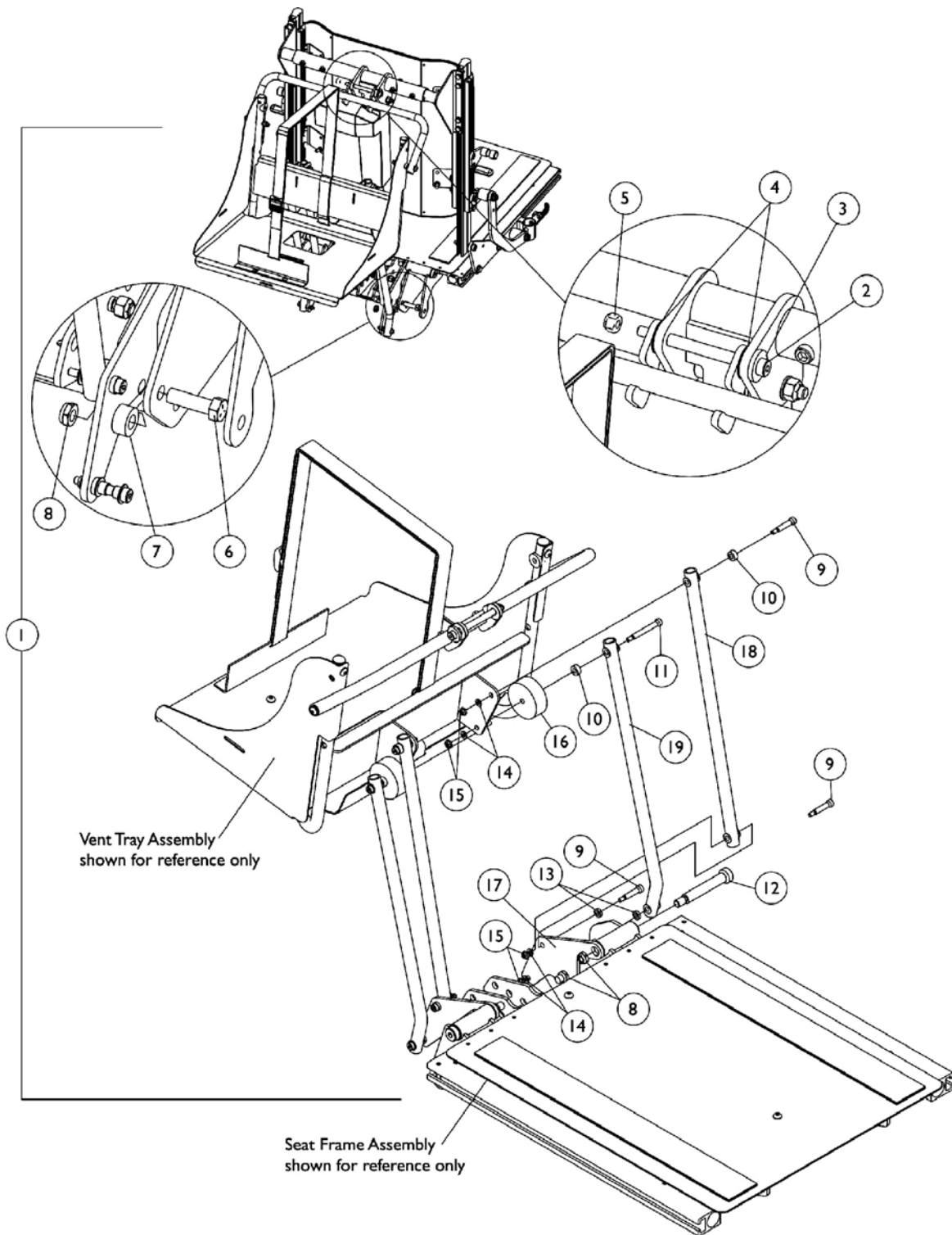
NOTE: When adding a Vent Tray Assembly in the field for the first time, refer to page titled "Accessories, Vent Tray Kits"

Item Number	Note	Part Number	Description	Quantity Per	
				Package	Assembly
1	A,A1	1125805-NLA	Kit, Vent Tray Mounting Hardware For Conventional Tilt & Conventional Tilt w/ BPO Option	1	1
2			NLA - Locknut (#10-24)	1	8
3			NLA - Washer, Steel (7/8 x 3/8 x 1/16")	1	8
4			Vent Pivot Tube Assembly, Bent	1	2
5			NLA - Vent Pivot Tube Assembly, Lower	1	2
6			Spacer, Nylon (1/4 x 2 x 3/4")	1	2
7			NLA - Spacer	1	4
8			NLA - Screw, Shoulder Hex Socket Head (1/4 x 1", #10-24)	1	6
9			NLA - Screw, Shoulder Hex Socket Head (1/4 x 1-3/4", #10-24)	1	2
10			NLA - Spacer (1/4 x 1/2 x 5/32")	1	4
11			Screw, Hex Head w/ Patch (1/4-20 x 3/4")	1	2
12			Washer (1/4 x 1/2 x 1/16")	1	6
13			NLA - Bracket, Lower Vent Pivot, Black - Right	1	1
13			NLA - Bracket, Lower Vent Pivot, Black - Left	1	1
14			Washer, Nylon (25/64 x 7/8 x 1/32")	1	2
15			Screw, Socket Button (1/4-20 x 3/4")	1	4
16			Locknut (1/4-20)	1	5
17			NLA - Bracket, Vent Tray Hanger, Black	1	1
18			Washer, Flat (21/64 x 53/64 x 7/64")	1	1
19			Screw, Shoulder Hex Socket Head (5/16" x 3", 1/4-20)	1	1

NOTE: A - Includes items 2-19. Vent Tray Mounting Hardware was revised after 4/2/06 and replaces all hardware used before 4/3/06 also. Sold as a hardware kit only.
A1 - To know when the hardware kit has been replaced, one of the hardware components (item 4) was revised from a Straight Pivot Tube to a Bent Pivot Tube assembly.

Vent Tray Mounting Hardware Conventional & Contoura Recline Only

NOTE: When adding a Vent Tray Assembly in the field for the first time, refer to page titled "Accessories, Vent Tray Kits"



Vent Tray Mounting Hardware Conventional & Contoura Recline Only

NOTE: When adding a Vent Tray Assembly in the field for the first time, refer to page titled "Accessories, Vent Tray Kits"

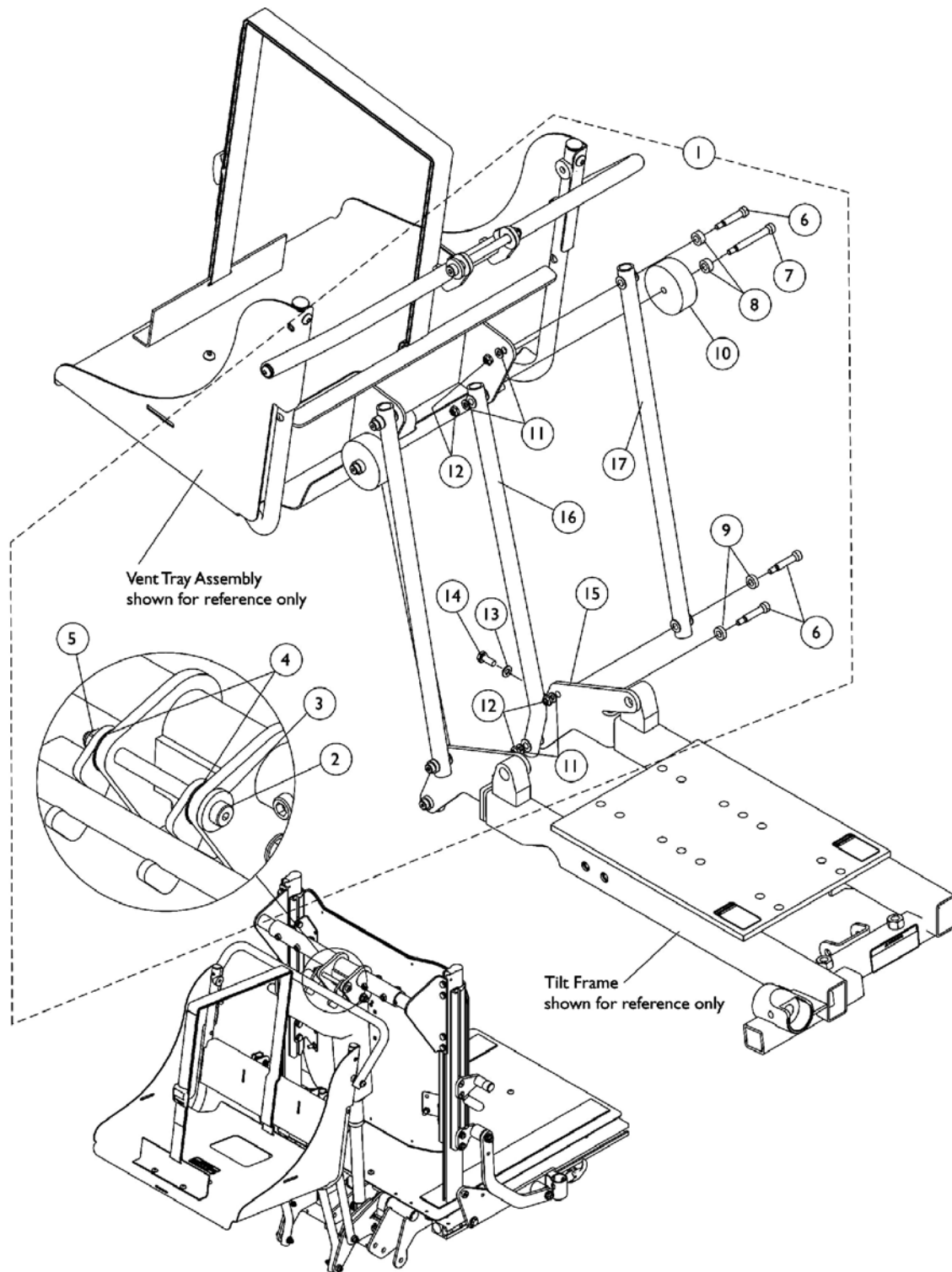
Item Number	Note	Part Number	Description	Quantity Per	
				Package	Assembly
1	A,A1	1125819-NLA	NLA - Kit, Vent Tray Mounting Hardware For Conventional & Contoura Recline Only	1	1
2			Screw, Shoulder Hex Socket Head (5/16" x 3", 1/4-20)	1	1
3			Washer, Flat (21/64 x 53/64 x 7/64")	1	1
4			Washer, Nylon (25/64 x 7/8 x 1/32")	1	2
5			Locknut (1/4-20)	1	1
6			NLA - Screw, Hex Head (3/8-16 x 1-1/4")	1	2
7			NLA - Spacer (3/8 x 3/4 x 3/8")	1	2
8			Locknut, Low Profile (3/8-16)	1	4
9			NLA - Screw, Shoulder Hex Socket Head (1/4 x 1", #10-24)	1	6
10			NLA - Spacer	1	4
11			NLA - Screw, Shoulder Hex Socket Head (1/4 x 1-3/4", #10-24)	1	2
12			NLA - Screw, Shoulder Hex Socket Head (1/2 x 2-3/4", 3/8-16)	1	2
13			Spacer, Nylon (1/4 x 7/16 x 1/8")	1	4
14			NLA - Washer, Steel (7/8 x 3/8 x 1/16")	1	8
15			NLA - Locknut (#10-24)	1	8
16			Spacer, Nylon (1/4 x 2 x 3/4")	1	2
17			NLA - Bracket, Lower Vent Mounting, Black	1	2
18			NLA - Vent Pivot Tube Assembly, Lower	1	2
19			Vent Pivot Tube Assembly, Bent	1	2

NOTE: A - Includes items 2-19. Vent Tray Mounting Hardware was revised after 4/2/06 and replaces all hardware used before 4/3/06 also. Sold as a hardware kit only.
A1 - To know when the hardware kit has been replaced, one of the hardware components (item 19) was revised from a Straight Pivot Tube to a Bent Pivot Tube assembly.

Vent Tray Mounting Hardware

Conventional Tilt/Recline, (Contoura Tilt & T/R) & All T/R w/ BPO Option

NOTE: When adding a Vent Tray Assembly in the field for the first time, refer to page titled "Accessories, Vent Tray Kits"



Vent Tray Mounting Hardware

Conventional Tilt/Recline, (Contoura Tilt & T/R) & All T/R w/ BPO Option

NOTE: When adding a Vent Tray Assembly in the field for the first time, refer to page titled "Accessories, Vent Tray Kits"

Item Number	Note	Part Number	Description	Quantity Per	
				Package	Assembly
1	A,A1	1125800-NLA	Kit, Vent Tray Mounting Hardware For Conventional T/R, (Contoura Tilt & T/R) & All T/R w/ BPO Option	1	1
2			Screw, Shoulder Hex Socket Head (5/16" x 3", 1/4-20)	1	1
3			Washer, Flat (21/64 x 53/64 x 7/64")	1	1
4			Washer, Nylon (25/64 x 7/8 x 1/32")	1	2
5			Locknut (1/4-20)	1	1
6			NLA - Screw, Shoulder Hex Socket Head (1/4 x 1", #10-24)	1	6
7			NLA - Screw, Shoulder Hex Socket Head (1/4 x 1-3/4", #10-24)	1	2
8			NLA - Spacer	1	4
9			NLA - Spacer (1/4 x 1/2 x 5/32")	1	4
10			Spacer, Nylon (1/4 x 2 x 3/4")	1	2
11			NLA - Washer, Steel (7/8 x 3/8 x 1/16")	1	8
12			NLA - Locknut (#10-24)	1	8
13			Washer (1/4 x 1/2 x 1/16")	1	2
15			Screw, Hex Head w/ Patch (1/4-20 x 3/4")	1	2
15			NLA - Bracket, Lower Vent Pivot, Black - Right	1	1
16			NLA - Bracket, Lower Vent Pivot, Black - Left	1	1
17			Vent Pivot Tube Assembly, Bent	1	2
18			NLA - Vent Pivot Tube Assembly, Lower	1	2

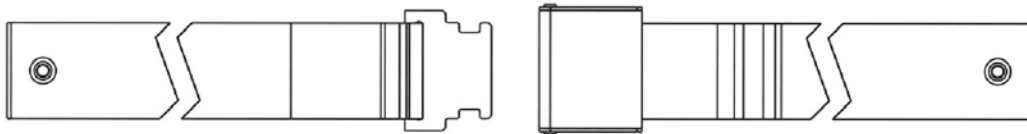
NOTE: A - Includes items 2-17. Vent Tray Mounting Hardware was revised after 4/2/06 and replaces all hardware used before 4/3/06 also. Sold as a hardware kit only.

A1 - To know when the hardware kit has been replaced, one of the hardware components (item 15) was revised from a Straight Pivot Tube to a Bent Pivot Tube assembly.

Seat and Chest Positioning Straps without Mounting Hardware



Auto Style Push Button Buckle



Airline Style Buckle Positioning Strap



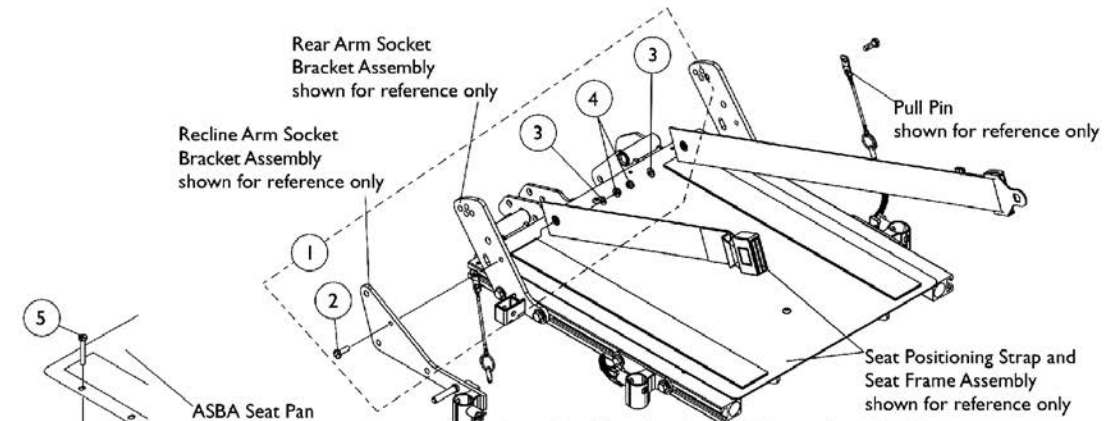
Hook and Loop Style Buckle Positioning Strap

Seat and Chest Positioning Straps without Mounting Hardware

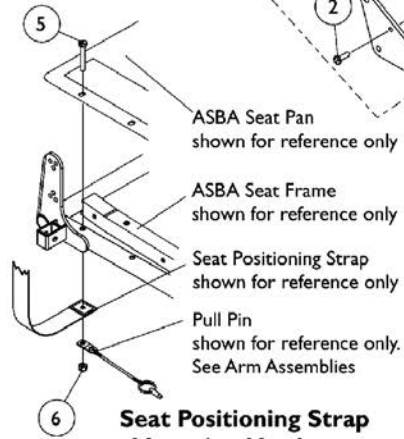
Positioning Straps

Description	16"-19" Wide	20"-22" Wide	23"-24" Wide
Auto Style Push Button	1004310 Strap, Positioning, Seat/Chest w/ Auto Style Push Button Buckle (Eyelet to Eyelet Length 48")	1034625 Strap, Positioning, Seat/Chest w/ Auto Style Push Button Buckle (Eyelet to Eyelet Length 61")	1034622-NLA NLA - Strap, Positioning, Seat/Chest w/ Auto Style Push Button Buckle (Eyelet to Eyelet Length 69") See Note(s) B
Airline Style	1034751 Strap, Positioning, Seat/Chest w/ Airline Style Buckle (Eyelet to Eyelet Length 46")	1034752 Strap, Positioning, Seat/Chest w/ Airline Style Buckle (Eyelet to Eyelet Length 61")	1034753 Strap, Positioning, Seat/Chest w/Airline Style Buckle (Eyelet to Eyelet Length 70")
Hook and Loop	1034745 Strap, Positioning, Seat/Chest w/ Hook and Loop Style Buckle (Eyelet to Eyelet Length 61") See Note(s) A	1034745 Strap, Positioning, Seat/Chest w/ Hook and Loop Style Buckle (Eyelet to Eyelet Length 61") See Note(s) A	1034745 Strap, Positioning, Seat/Chest w/ Hook and Loop Style Buckle (Eyelet to Eyelet Length 61") See Note(s) A
NOTE: A - Hook and Loop style positioning strap for power chairs is used for chest positioning only B - For replacement contact The Aftermarket Group (TAG).			

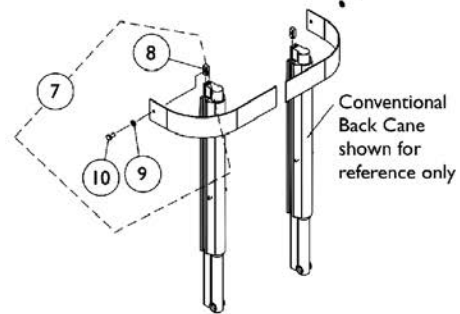
Seat and Chest Positioning Straps Mounting Hardware



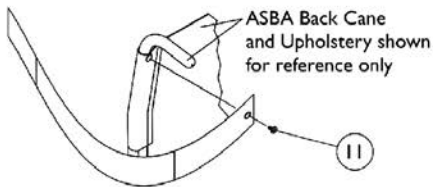
**Seat Positioning Strap Mounting Hardware
(For Conventional/Contoura and ADJASBA Seating)**



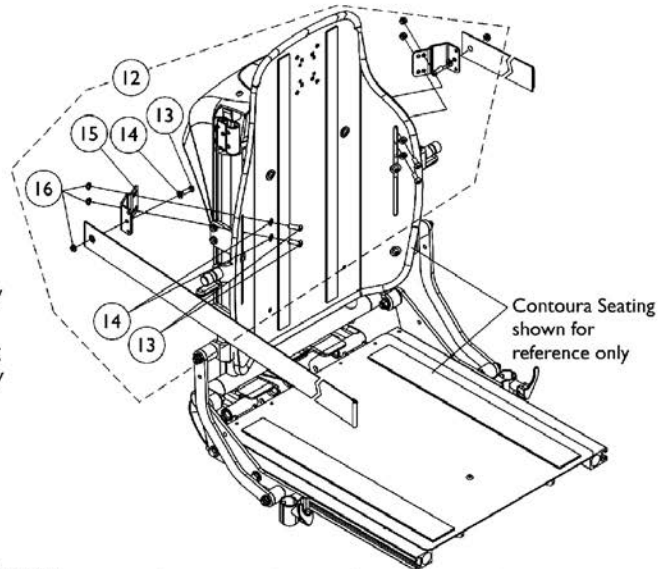
**Seat Positioning Strap Mounting Hardware
(For ASBA Seating)**



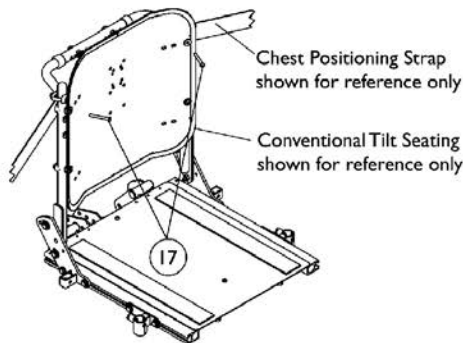
**Chest Positioning Strap Mounting Hardware
(For Conventional Recline)**



**Chest Positioning Strap Mounting Hardware
(For ASBA/ADJASBA Seating)**



**Chest Positioning Strap Mounting Hardware
(For Contoura Seating)**



**Chest Positioning Strap Mounting Hardware
(For Solid Straight Back Canes)**

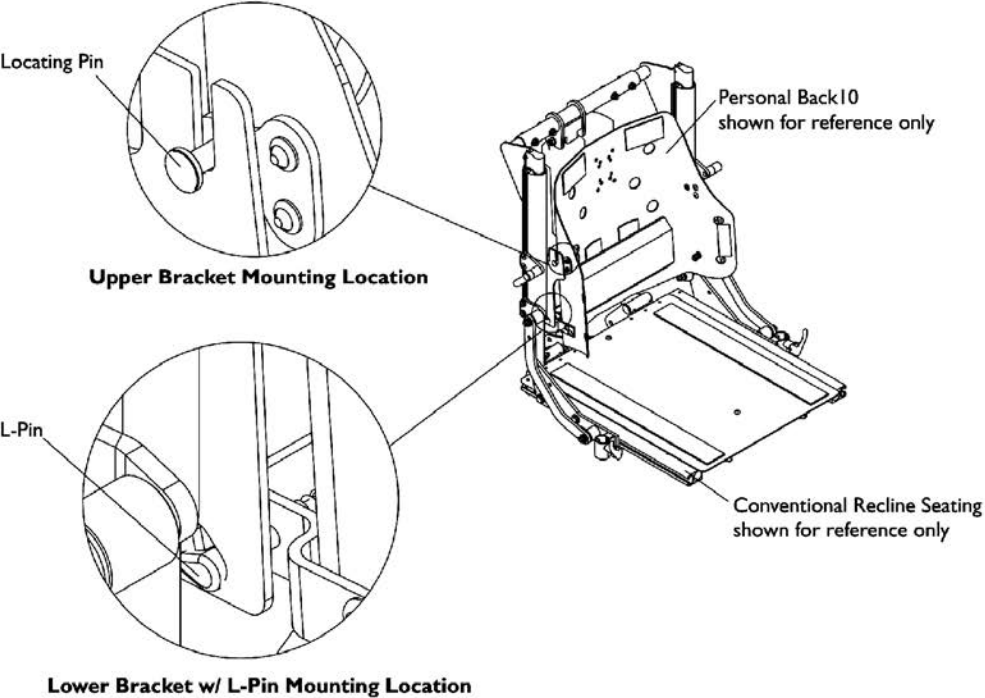
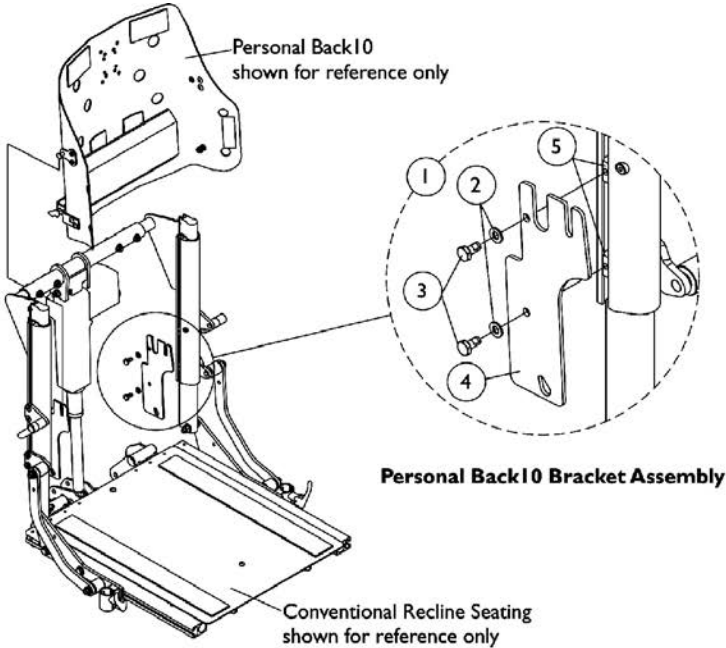
Seat and Chest Positioning Straps Mounting Hardware

Item Number	Note	Part Number	Description	Quantity Per	
				Package	Assembly
1	A	1124385	Kit, Seat Positioning Strap Mounting Hardware (both LT & RT sides)	1	1
2			Screw, Hex Head w/ Patch (1/4-20 x 3/4")	1	2
3			Washer (1/4 x 1/2 x 1/16")	1	2
4			Locknut (1/4-20)	1	2
5		1037610	Screw, Hex Head (1/4-20 x 1-5/8")	1	2
6		1025736	Locknut (1/4-20)	1	2
7	B	1090212	Kit, Chest Positioning Strap Mounting Hardware For Conventional Seating	1	1
8			T-Nut (1/4-20)	1	2
9			Washer (1/4 x 23/32 x 1/16")	1	2
10			Screw, Hex Head w/ Patch (1/4-20 x 1/2")	1	2
11	C	1026298	Package, Screw with Washer (#10 x 7/8") (Pair)	2	1
12	D	1125798	Kit, Chest Positioning Strap's Mounting Hardware For Contoura Seating (both LT & RT sides)	1	1
13			Screw, Socket Button (1/4-20 x 3/4")	1	6
14			Washer (1/4 x 1/2 x 1/16")	1	6
15			Bracket, Positioning Strap, Black	1	2
16			Locknut (1/4-20)	1	6
17	E	1128732	Package, Screw, Socket Button Head (1/4-20 x 2") (Pair)	2	1

NOTE: A - Includes items 2-4
 B - Includes items 8-10
 C - The back upholstery and chest positioning strap share the same mounting hardware
 D - Includes items 13-16
 E - Used for mounting chest positioning straps to solid straight back canes

Personal Back10 (TALL Regular/TALL Plus) Mounting Hardware

Conventional Recline w/ BPO Option



Personal Back10 (TALL Regular/TALL Plus) Mounting Hardware

Conventional Recline w/ BPO Option

Item Number	Note	Part Number	Description	Quantity Per	
				Package	Assembly
1	A	1132748	Kit, Personal Back10 Tall Back Mounting Hardware For Conventional Recline 16-20" Wide	2	1
2			Washer (1/4 x 1/2 x 1/16")	1	4
3			Screw, Hex Head w/ Patch (1/4-20 x 1/2")	1	4
4			Bracket, Personal Back10 Tall, For Conventional Recline, Black (16 - 20" W)	1	2
5			T-Nut (1/4-20)	1	4
1	A	1133122	Kit, Personal Back10 Tall Back Mounting Hardware For Conventional Recline 20-24" Wide	2	1
2			Washer (1/4 x 1/2 x 1/16")	1	4
3			Screw, Hex Head w/ Patch (1/4-20 x 1/2")	1	4
4			Bracket, Personal Back10 Tall, For Conventional Recline, Black (20 - 24" W)	1	2
5			T-Nut (1/4-20)	1	4

NOTE: A - Includes items 2-5 and is used for a Personal Back10 Tall (Regular or Plus) model only

Power Wheelchair Tool Kit

1



Multimeter with Leads



Grounding Wire



1" Test Leads



Protractor/Angle Locator



Invacare Pen Light



Invacare Tape Measure



Invacare Phillips/Flat Head Screwdriver



MKIV Programmer



Virtual Service Charger Cable

Power Wheelchair Tool Kit

Item Number	Note	Part Number	Description	Quantity Per	
				Package	Assembly
1		1125222-NLA	NLA - Kit, Power Wheelchair Tool Includes: 1 ea. Multimeter with Leads 1 ea. Locator, Protractor/Angle Magnetic Base 1 ea. Instructions, MKIV Programmer 1 ea. Wire, Grounding with Hand Strap and Clip 1 ea. Leads, 1" Test 1 ea. Light, Pen with Invacare Logo 1 ea. Tape Measure, Compact with Invacare Logo 1 ea. Screwdriver, Pen-Size Phillips/Flat Head 1 ea. Cable, Virtual Service Charger/Modem	1	1

Miscellaneous Accessories

Item Number	Note	Part Number	Description	Quantity Per	
				Package	Assembly
	A	40176X010	Pump, Tire	1	1

NOTE: A - Not Shown

Invacare Corporation

www.invacare.com



Yes, you can.

One Invacare Way
Elyria, Oh USA
44036-2125
800-333-6900

Technical Support
800-832-4707
Florida Technical Support
407-321-5630

Customer Service
800-333-6900

© 2018 Invacare Corporation. All rights reserved. Republication, duplication or modification in whole or in part is prohibited without prior written permission from Invacare. Trademarks are identified by TM and ©. All trademarks are owned by or licensed to Invacare Corporation or its subsidiaries unless otherwise noted. (Revised 2/16/18)

Form No. 04-041