



APPLICATIONS

A linear 2x3 fixture for distinctive architectural lighting plans. Ideal for corridors, lobbies and office areas, 2x3 Series fixtures can be installed individually or in a continuous run. Specifically designed for direct/indirect lighting with snap-in lens to hide the lamps or LED arrays. Ideal where downlight and uplight are required.

FEATURES & BENEFITS

- ◆ 4 ft. - 2" x 46.12" x 3.58"
- ◆ Accepts various lenses or louvers.
- ◆ Knockouts on ends allow continuous wireway mounting.
- ◆ Fixtures can be surface mounted to the ceiling or pendant hung by stem or cable.

SPECIFICATIONS

Die-formed and welded 22 gauge cold rolled steel. Knockouts on ends allow continuous wireway mounting. Housing is specially designed for direct/indirect lighting with separating lamps compartments for each. Fixture accepts various lenses or louvers. 4' and 8' units have a steel mullion to join two individual diffusers. Snap in reflector is ideal for uplight lens.

ORDERING DATA

<p>Series</p> <p>LI23W Wall Mount</p> <p>LI23P Pendant Mount</p> <p>LI23S Surface Mount</p> <p>LI23R Recessed Mount</p> <p>Flangeless</p> <p>LI23RR 1/2" Recessed Flanged (For Before Drywall Installation)</p> <p>LI23F Flanged (For Existing Drywall Installation)</p>	<p>LED Module Distribution</p> <p>Blank Downlight (std)</p> <p>U Uplight</p> <p>1U1D Uplight & Downlight</p> <p>Lens Material</p> <p>MW Matte white lens (std) Only available for down light</p> <p>SF Snap-in frosted acrylic lens (85% transmission) Special for LEDs. (Only available for uplight & downlight)</p>	<p>Gear</p> <p>LED</p> <p>Wattage & Lumen</p> <p>Up or Down Only</p> <p>48" 28 Watts 2700 Lumens</p> <p>48" 40 Watts 3800 Lumens</p> <p>1 Up or 1 Down Only</p> <p>48" 35 Watts 3900 Lumens</p> <p>48" 46 Watts 5000 Lumens</p> <p>48" 72 Watts 7000 Lumens</p>	<p>Color Temperature</p> <p>30K 3000K</p> <p>35K 3500K</p> <p>40K 4000K</p> <p>50K 5000K</p> <p>Driver & Voltage</p> <p>DMV Dimmable, Driver 0-10V</p> <p>MV Electronic, Multivolt (120-277V)</p> <p>Options</p> <p>HC301WH Cable kit with 4' cable & power feed Cable incl. w/white canopy</p> <p>HC302WH Cable kit with 12' cable & power feed Cable incl. w/white canopy</p> <p>2SCS24WH Two stem kits w/24" stem, canopy & mounting hardware for 4' fixture</p>	<p>Finish</p> <p>WH White</p> <p>BK Black</p> <p>SI Silver</p>
---	--	---	---	--

Dimensions and specifications subject to change without notice.

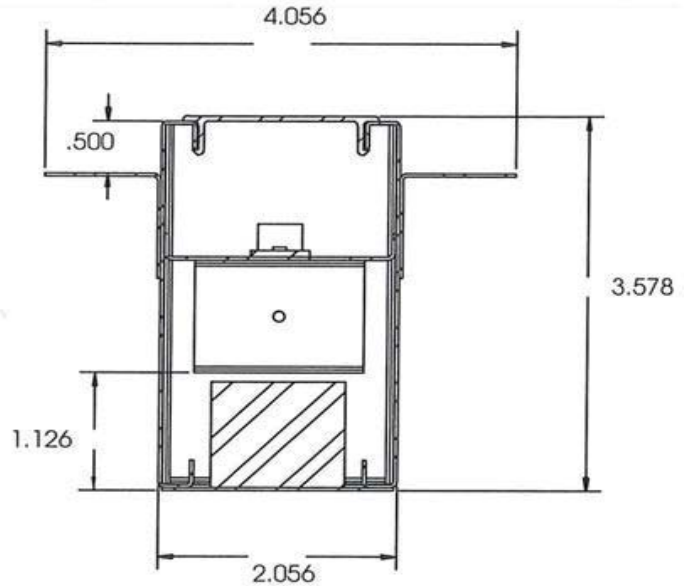


*Consult factory for more options

Job Information: Type:

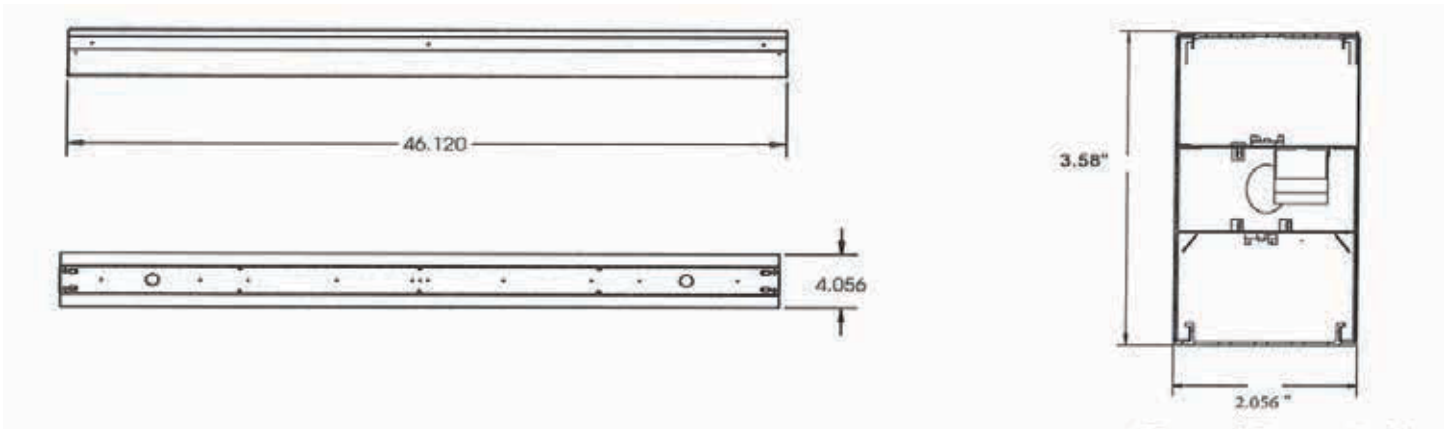
Job Name:

Catalog #:



Up or Down Light

48L Drawing



Job Information: Type:

Job Name:

Catalog #: