

General Purpose Switching Relay Card

FEATURES

- Suitable for general purpose switching and isolation.
- Front panel LED status indicators.
- TTL or direct relay switching.

GENERAL

The RL-740 relay card is designed to interface with the IRT Eurocard VG-737 video and AG-738 audio program fail modules.

Front panel LED indicators are used to indicate the status of each relay circuit.

The RL-740 utility relay card is designed to provide two isolated contact sets and contains 5 DPST relays which can be controlled individually, both the make and break contacts are available either directly or by on board link selection.

One of the contact sets can also have the relay common contacts bussed to facilitate connection to the input circuit of the IRT 5x1 video and audio switchers.

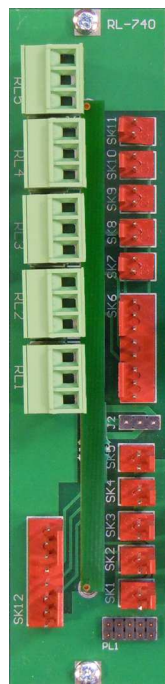
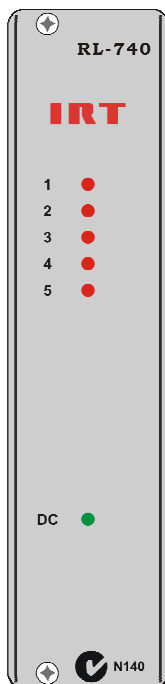
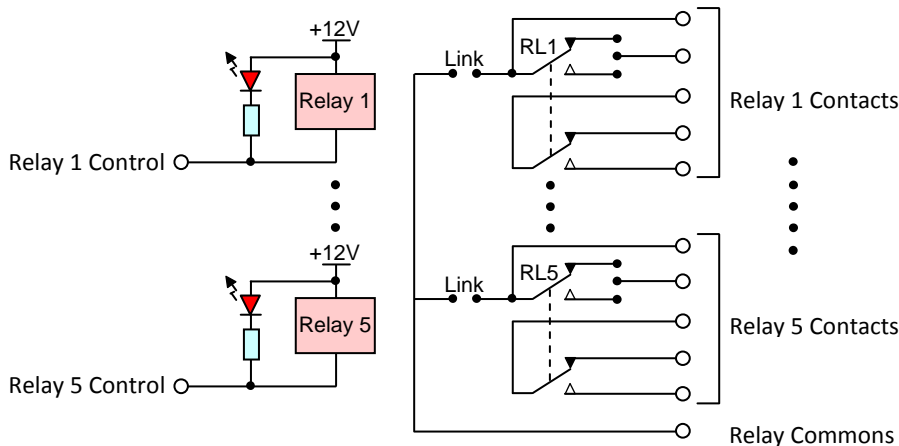
When the relay is NOT ENERGISED relay 1 circuit switches input 1 to the output thus providing a secure path when power is not present on the module.

The relays used are bifurcated contact low energising current relays designed for long life and high reliability.

Note: For relay switching of video, data and HF, see the AVS-3170 relay switcher.

See also other 3000 series switching products.

BLOCK DIAGRAM RL-740 SIGNAL PATH



TECHNICAL SPECIFICATIONS

RL-740:

Control inputs	Ground active control to the relay coil with the common of the coil circuit connected to +12 volts.
Control connections	2 pin socket strip with mating locking plug assembly.
Outputs	Two relay contact sets from each relay. One set with the common, normally open and normally closed contacts available. The other set with the common available individually or bussed, and the make or break contact available by link selection on the RL-740 circuit board.
Output connections	Terminal strips accepting spade terminals for one contact set and 2 or 8 pin socket strip with mating locking plug assembly for the other.
Relay contact rating	24 Vdc - 1A, 100Vac - 0.3 A.
Visual indicators	RELAY CIRCUIT ENABLED. POWER.
Power requirements:	
Voltage	28 Vac CT (14-0-14) or ± 16 Vdc.
Power consumption	1 VA.
Other:	
Temperature range	0 - 50° C ambient.
Mechanical	Suitable for mounting in IRT 19" rack chassis with input, output and power connections on the rear panel.
Finish	Front panel Grey background, black lettering & red IRT logo.
	Rear assembly Detachable silk-screened PCB with direct mount connectors to Eurocard and external signals.
Dimensions	6 HP x 3 U x 220 mm IRT Eurocard.