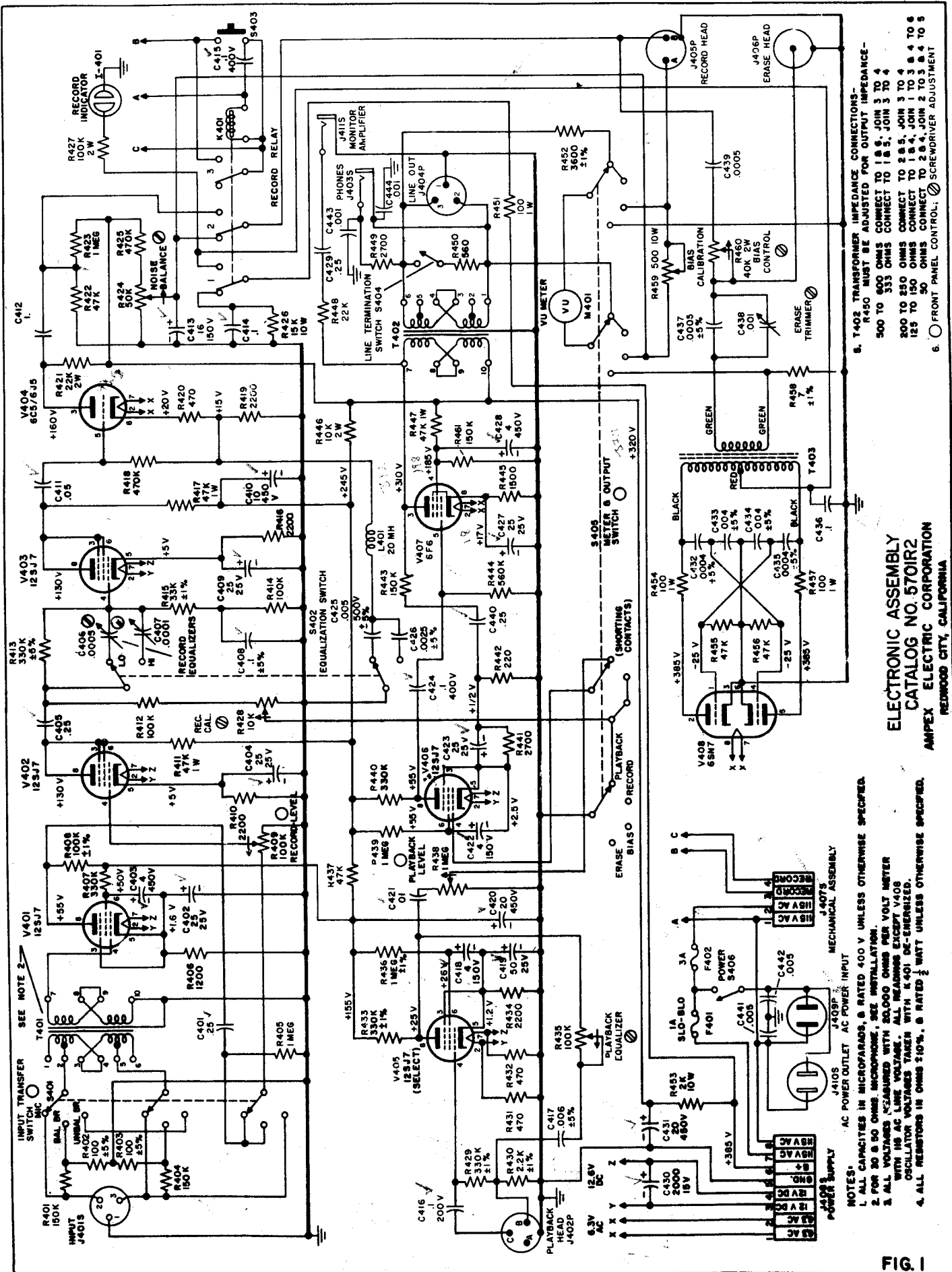


CAUTION:- DO NOT PUSH KNOB ALL THE WAY DOWN TO THE TURNTABLE OR SPRING LOADED BALLS WILL NOT HOLD REEL IN PLACE.

REEL HOLD-DOWN KNOB  
 AMPEX ELECTRIC CORPORATION  
 REDWOOD CITY, CALIFORNIA.

FIG. 0



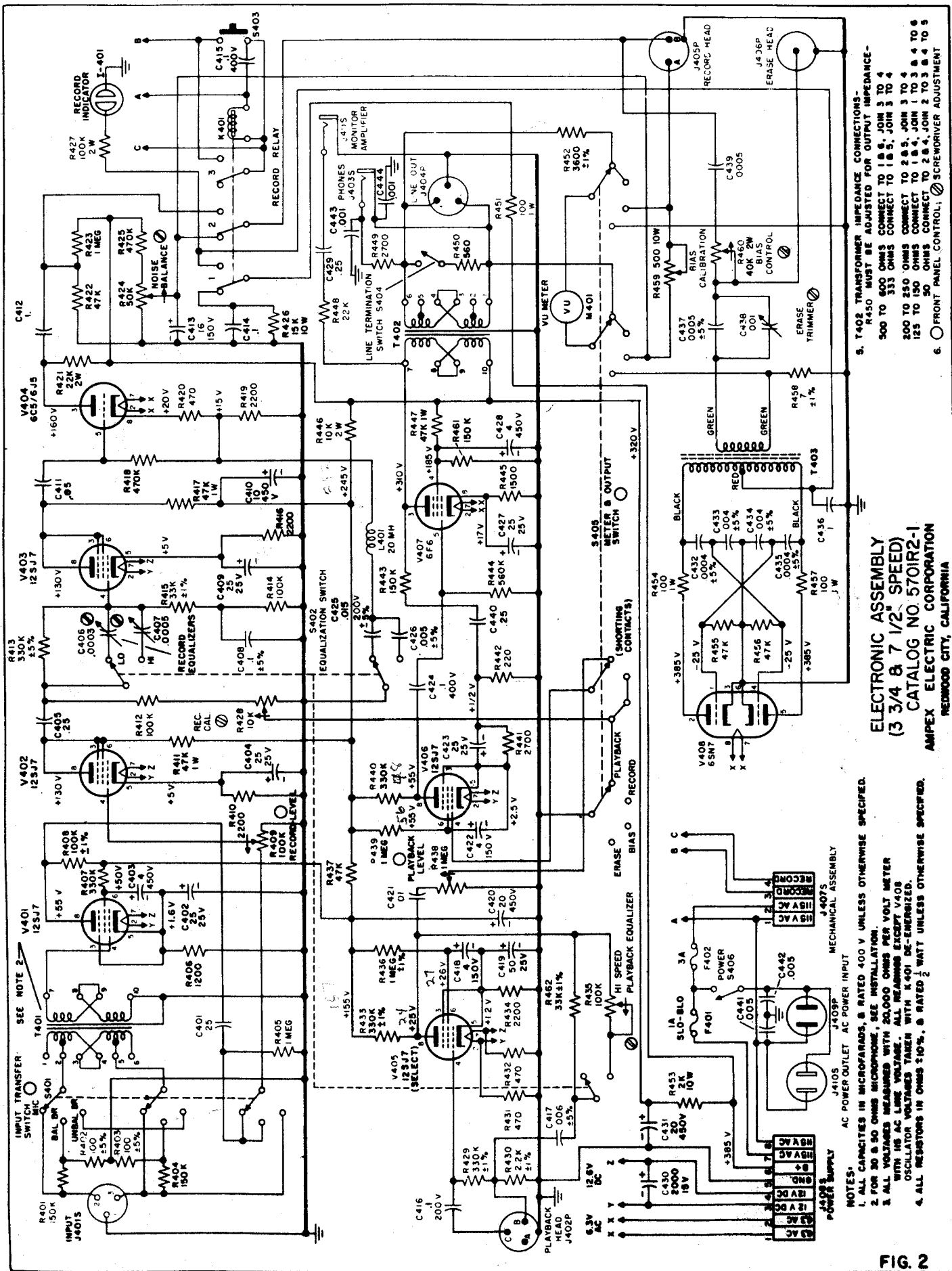
8. T-402 TRANSFORMER IMPEDANCE CONNECTIONS - R450 MUST BE ADJUSTED FOR OUTPUT IMPEDANCE - 500 TO 600 OHMS CONNECT TO 1B, 5, JOIN 3 TO 4 200 TO 250 OHMS CONNECT TO 2B, 5, JOIN 3 TO 4 125 TO 150 OHMS CONNECT TO 1B, 4, JOIN 1 TO 3, 4 TO 6 50 OHMS CONNECT TO 2B, 4, JOIN 2 TO 3, 4 TO 5

9. FRONT PANEL CONTROL: Ⓞ SCREWDRIIVER ADJUSTMENT

**ELECTRONIC ASSEMBLY**  
**CATALOG NO. 570IR2**  
**AMPEX ELECTRIC CORPORATION**  
 REDWOOD CITY, CALIFORNIA

- NOTES:
1. ALL CAPACITORS IN MICROFARADS, & RATED 400 V UNLESS OTHERWISE SPECIFIED.
  2. FOR 30 & 50 OHMS MICROPHONE, SEE INSTALLATION.
  3. ALL VOLTAGES MEASURED WITH 50,000 OHMS PER VOLT METER WITH 100 OHMS AC LINE VOLTAGE. ALL MEASUREMENTS EXCEPT V405 OSCILLATOR VOLTAGES TAKEN WITH K401 DE-ENERGIZED.
  4. ALL RESISTORS IN OHMS ±10%, & RATED 1/2 WATT UNLESS OTHERWISE SPECIFIED.

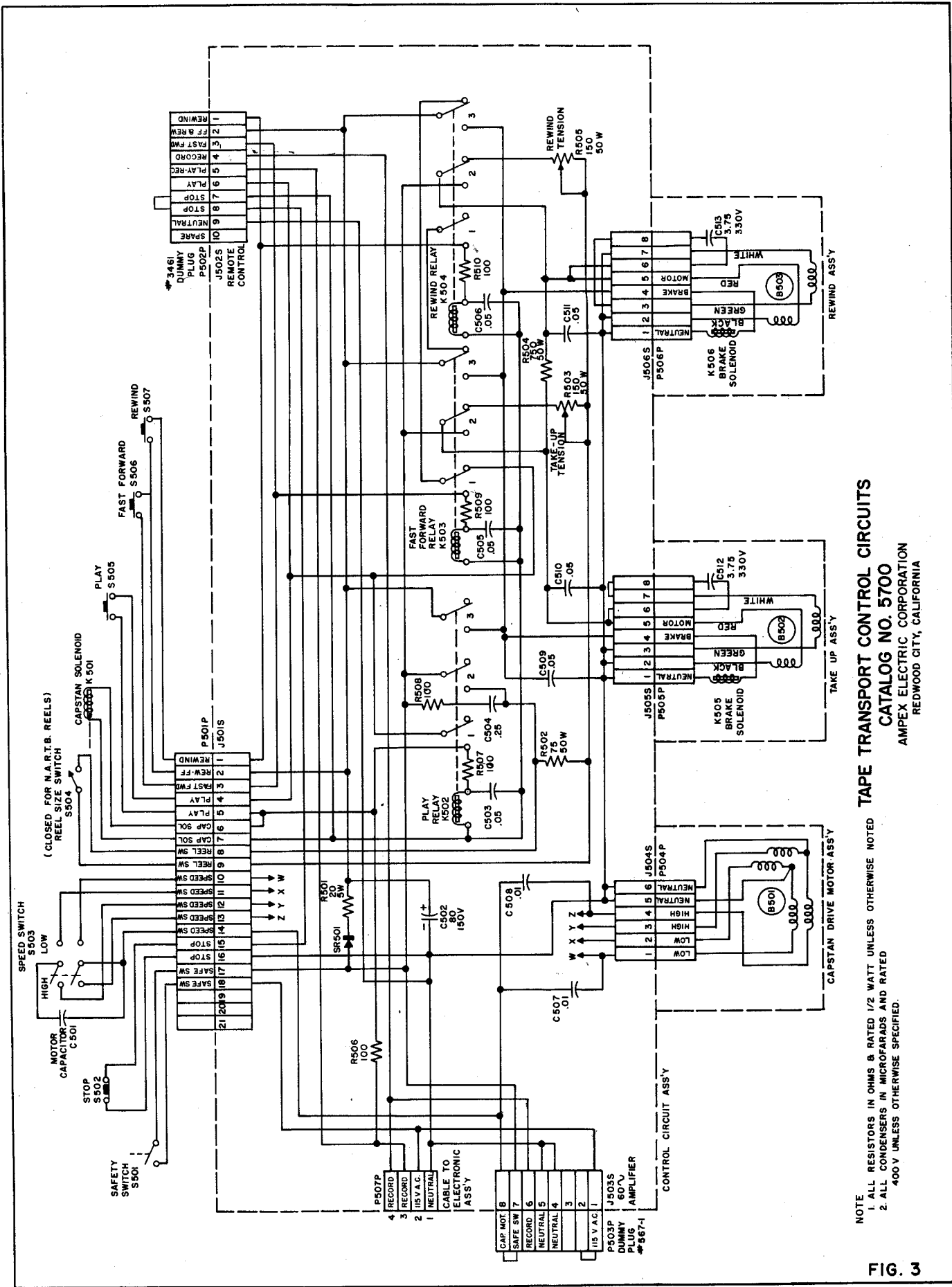
**FIG. 1**



**ELECTRONIC ASSEMBLY**  
**(3 3/4 & 7 1/2" SPEED)**  
**CATALOG NO. 5701R2-1**  
**AMPEX ELECTRIC CORPORATION**  
**REDWOOD CITY, CALIFORNIA**

- NOTES:**
1. ALL CAPACITIES IN MICROFARADS, & RATED 400 V UNLESS OTHERWISE SPECIFIED.
  2. FOR 30 & 50 OHMS MICROPHONE, SEE INSTALLATION.
  3. ALL VOLTAGES MEASURED WITH 20,000 OHMS PER VOLT METER WITH 100 AC LINE VOLTAGE. ALL READINGS EXCEPT V408 OSCILLATOR VOLTAGES TAKEN WITH K 401 DE-ENERGIZED.
  4. ALL RESISTORS IN OHMS ±10%, & RATED 1/2 WATT UNLESS OTHERWISE SPECIFIED.

**FIG. 2**



**TAPE TRANSPORT CONTROL CIRCUITS**  
**CATALOG NO. 5700**  
 AMPEX ELECTRIC CORPORATION  
 REDWOOD CITY, CALIFORNIA

NOTE  
 1. ALL RESISTORS IN OHMS & RATED 1/2 WATT UNLESS OTHERWISE NOTED  
 2. ALL CONDENSERS IN MICROFARADS AND RATED 400 V UNLESS OTHERWISE SPECIFIED.

**FIG. 3**



FIG. 5A  
 INPUT FOR HIGH IMPEDANCE MICROPHONE  
 (SEE INSTALLATION)

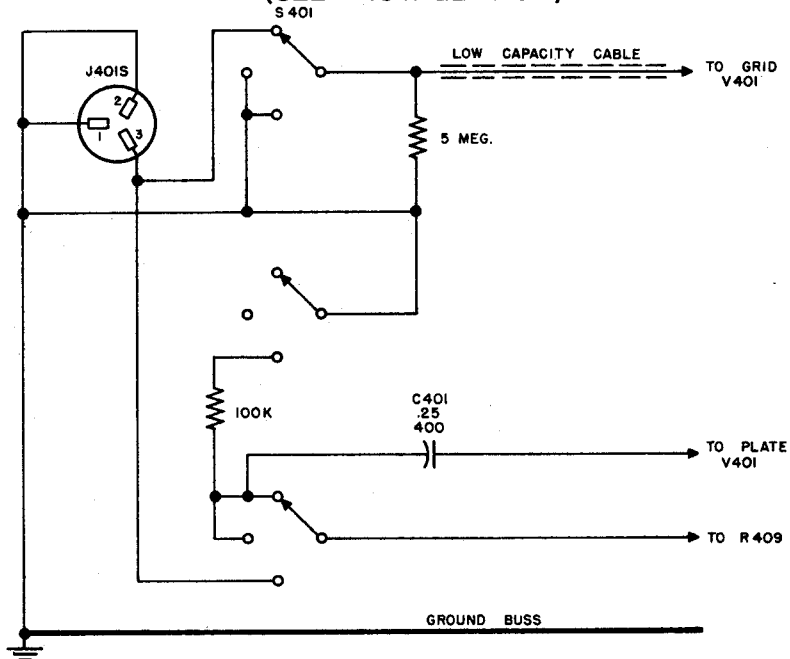
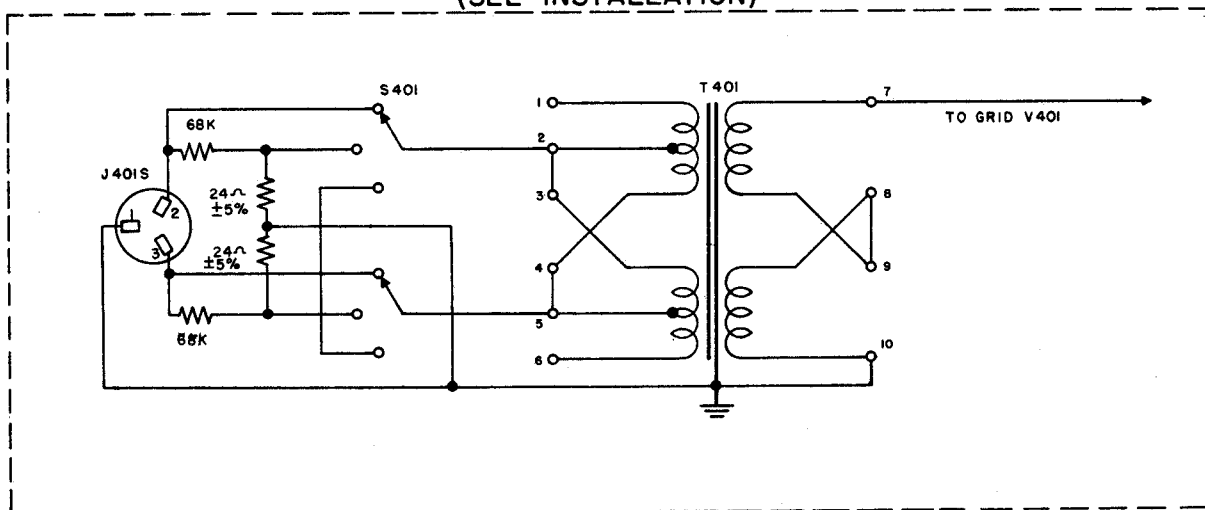


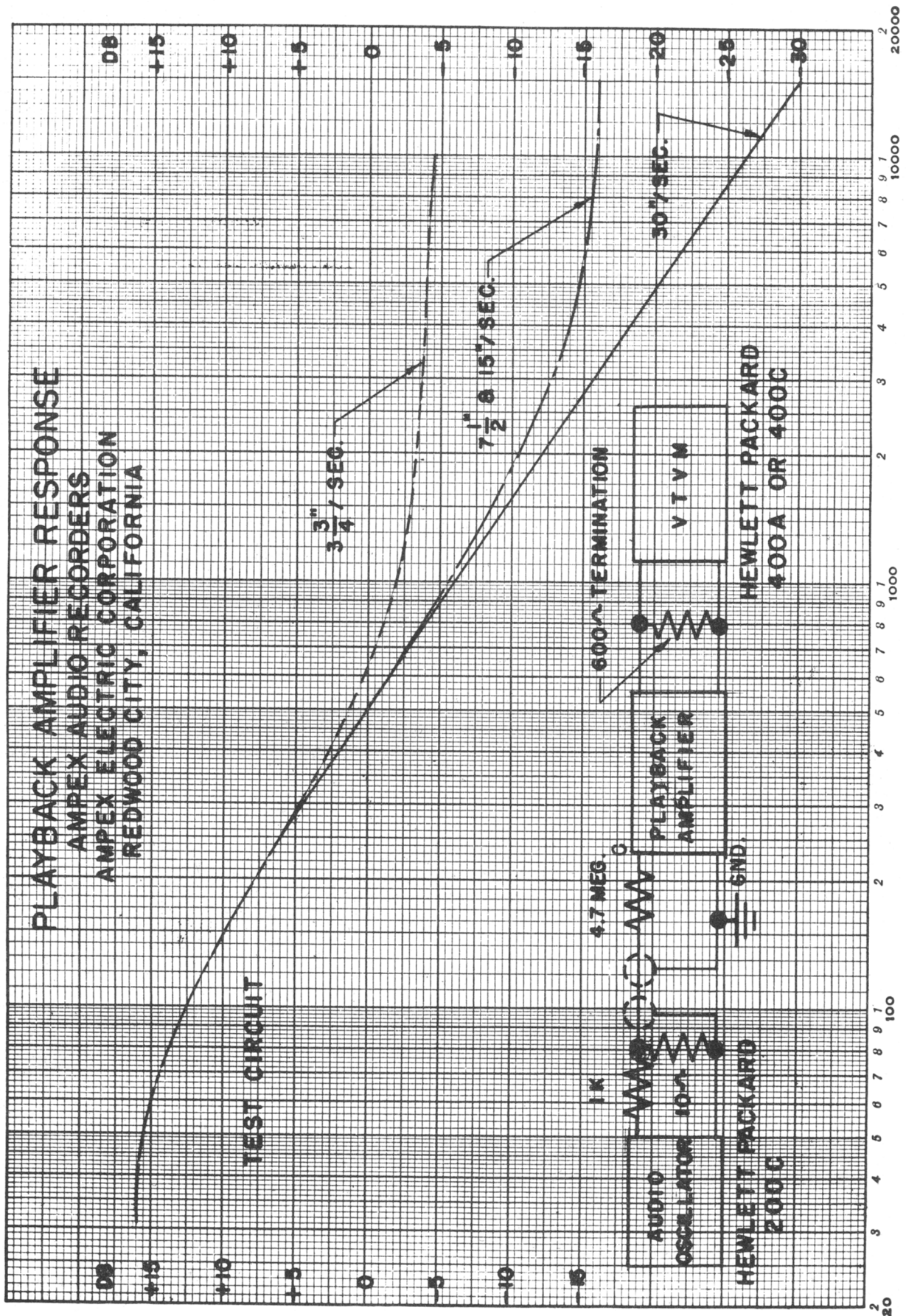
FIG. 5B  
 INPUT TRANSFORMER CONNECTION FOR  
 30 & 50 OHMS MICROPHONES  
 (SEE INSTALLATION)



INPUT CONNECTIONS  
 CATALOG NO. 5701  
 AMPEX ELECTRIC CORPORATION  
 REDWOOD CITY, CALIFORNIA

FIG. 5

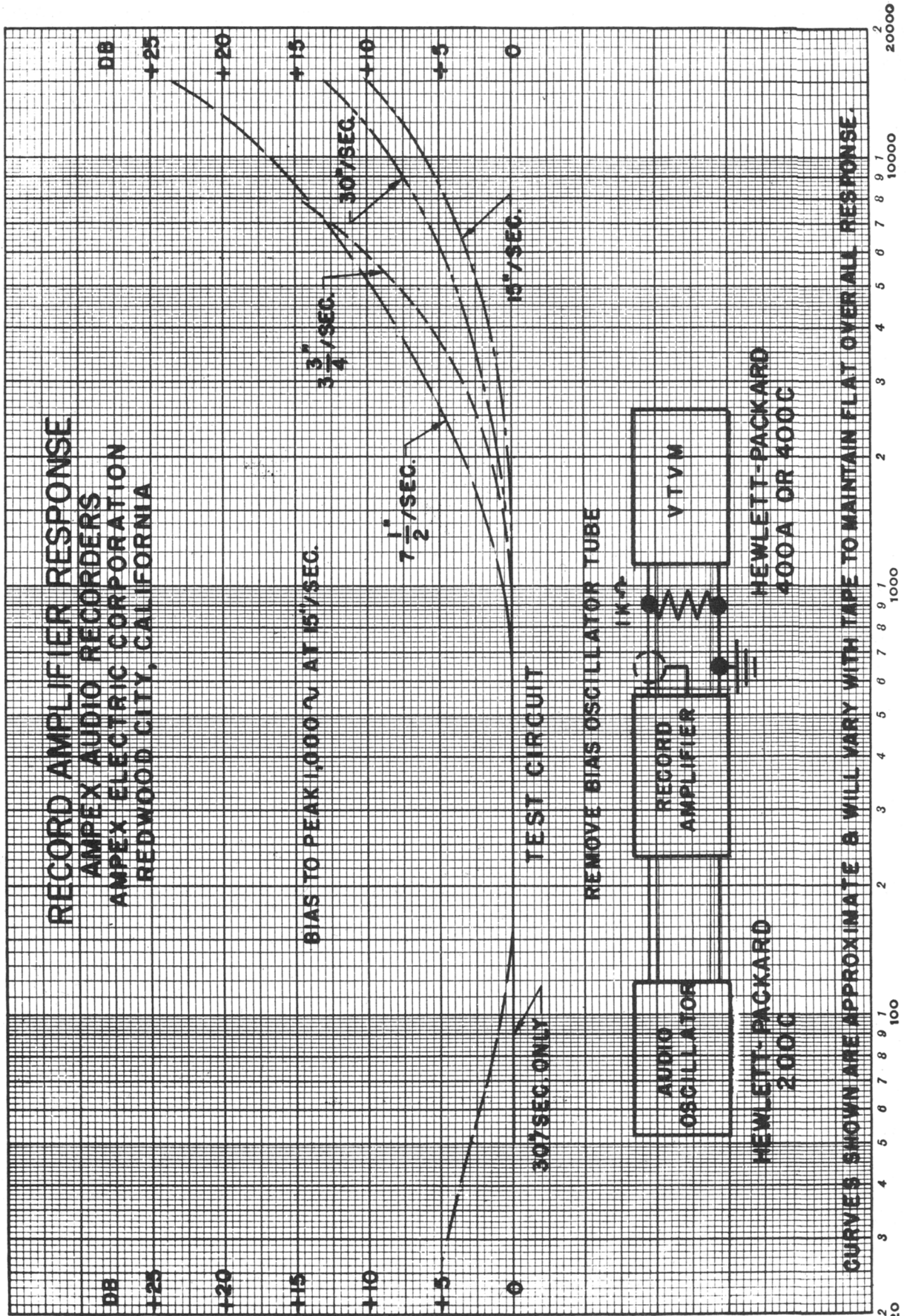
**PLAYBACK AMPLIFIER RESPONSE**  
**AMPEX AUDIO RECORDERS**  
**AMPEX ELECTRIC CORPORATION**  
**REDWOOD CITY, CALIFORNIA**



A-4477 5-1-53

FIG. 6

**RECORD AMPLIFIER RESPONSE**  
**AMPEX AUDIO RECORDERS**  
**AMPEX ELECTRIC CORPORATION**  
**REDWOOD CITY, CALIFORNIA**

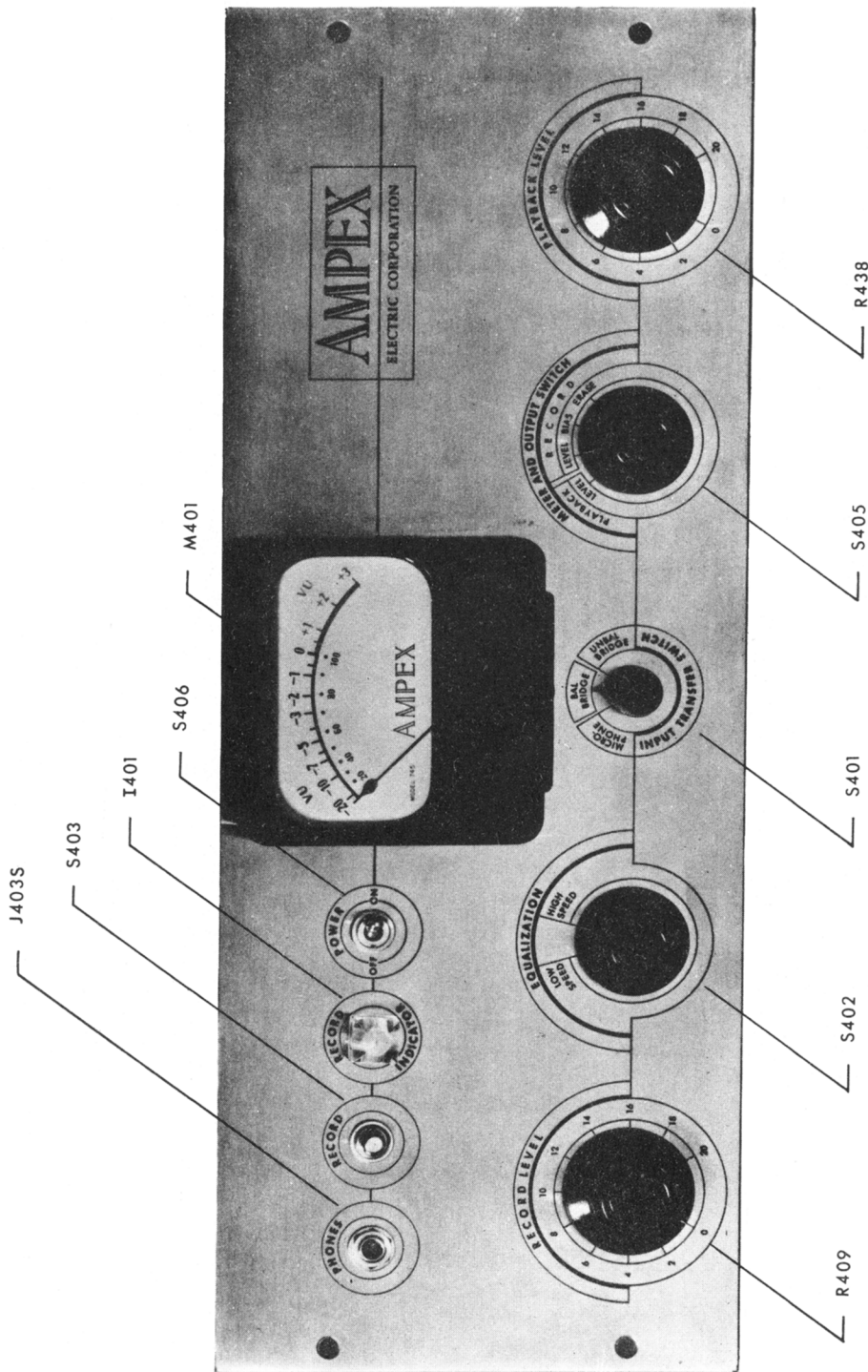


A-4478

5-1-53

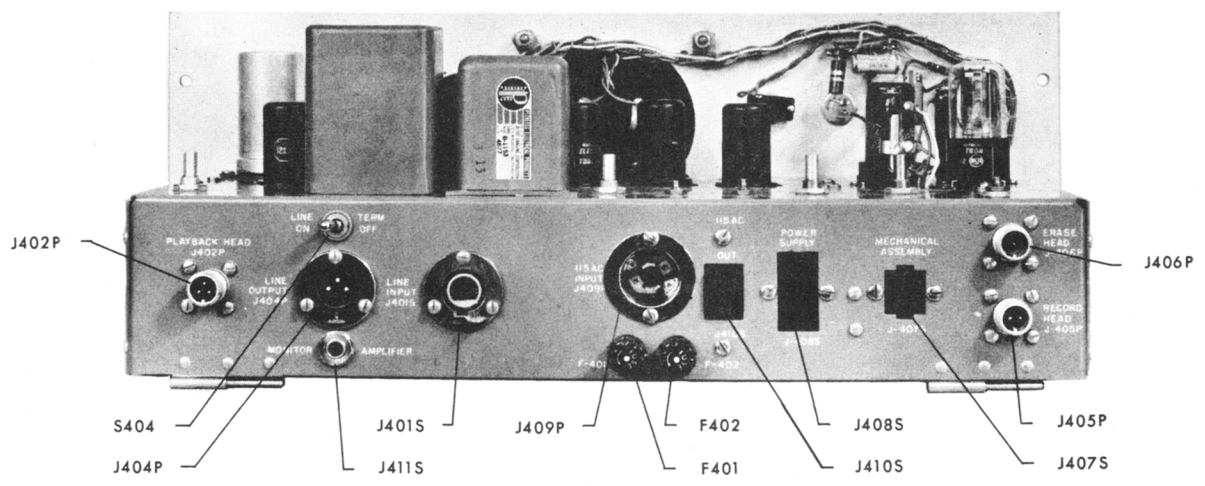
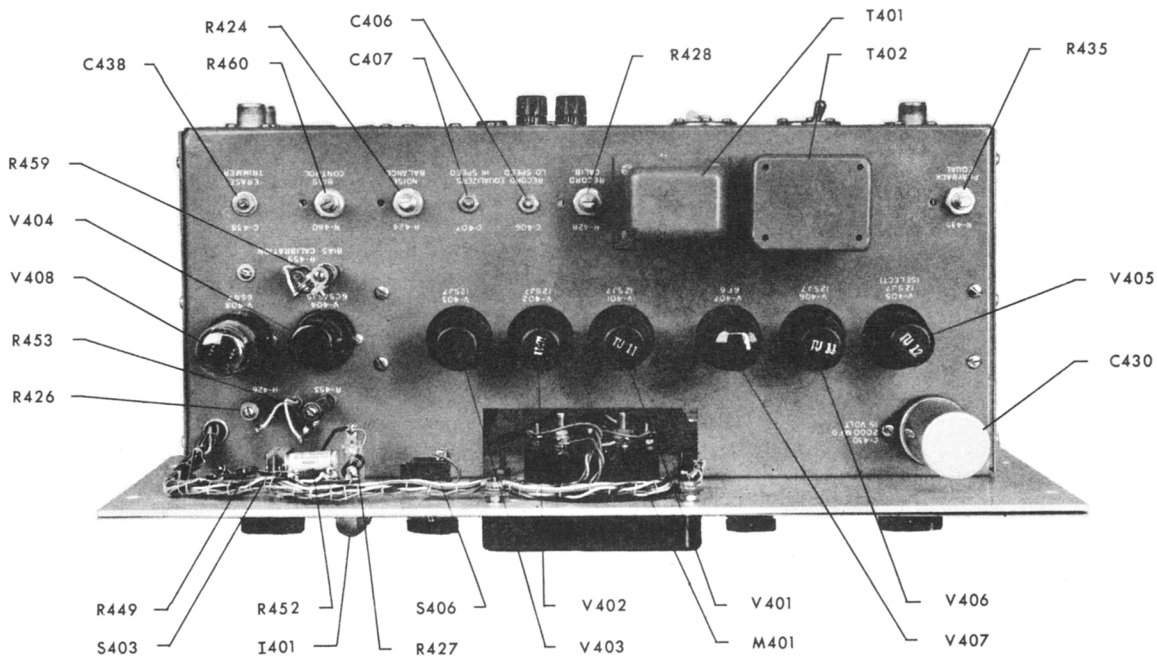
FIG. 7





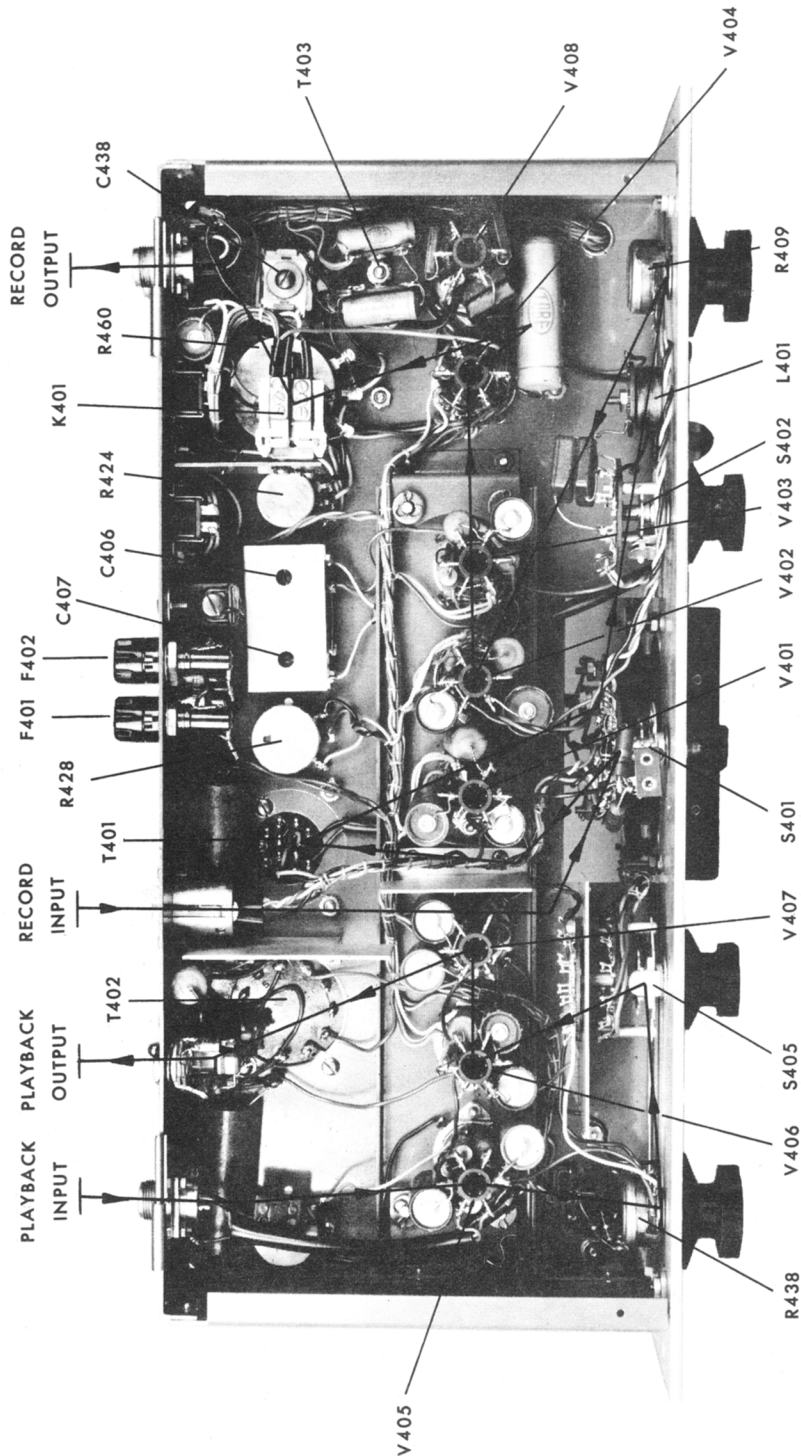
ELECTRONIC ASSEMBLY  
 FRONT PANEL  
 CATALOG NO. 5701  
 AMPEX ELECTRIC CORPORATION  
 REDWOOD CITY, CALIFORNIA

FIG. 8



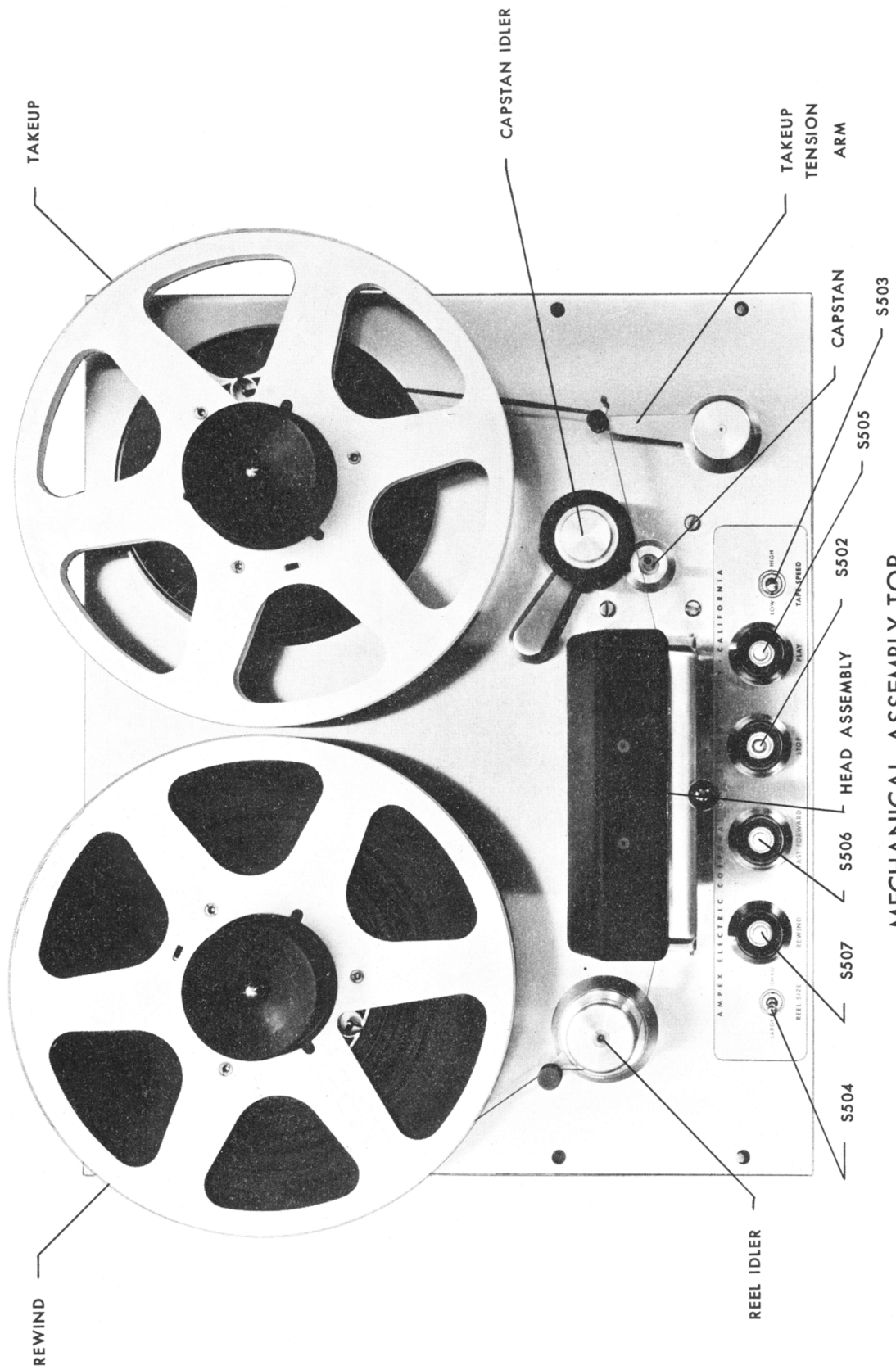
ELECTRONIC ASSEMBLY  
 TOP & REAR VIEWS  
 CATALOG NO. 5701  
 AMPEX CORPORATION  
 REDWOOD CITY, CALIFORNIA

FIG. 9



ELECTRONIC ASSEMBLY  
 BOTTOM VIEW  
 CATALOG NO. 5701  
 AMPEX CORPORATION  
 REDWOOD CITY, CALIFORNIA

FIG. 10



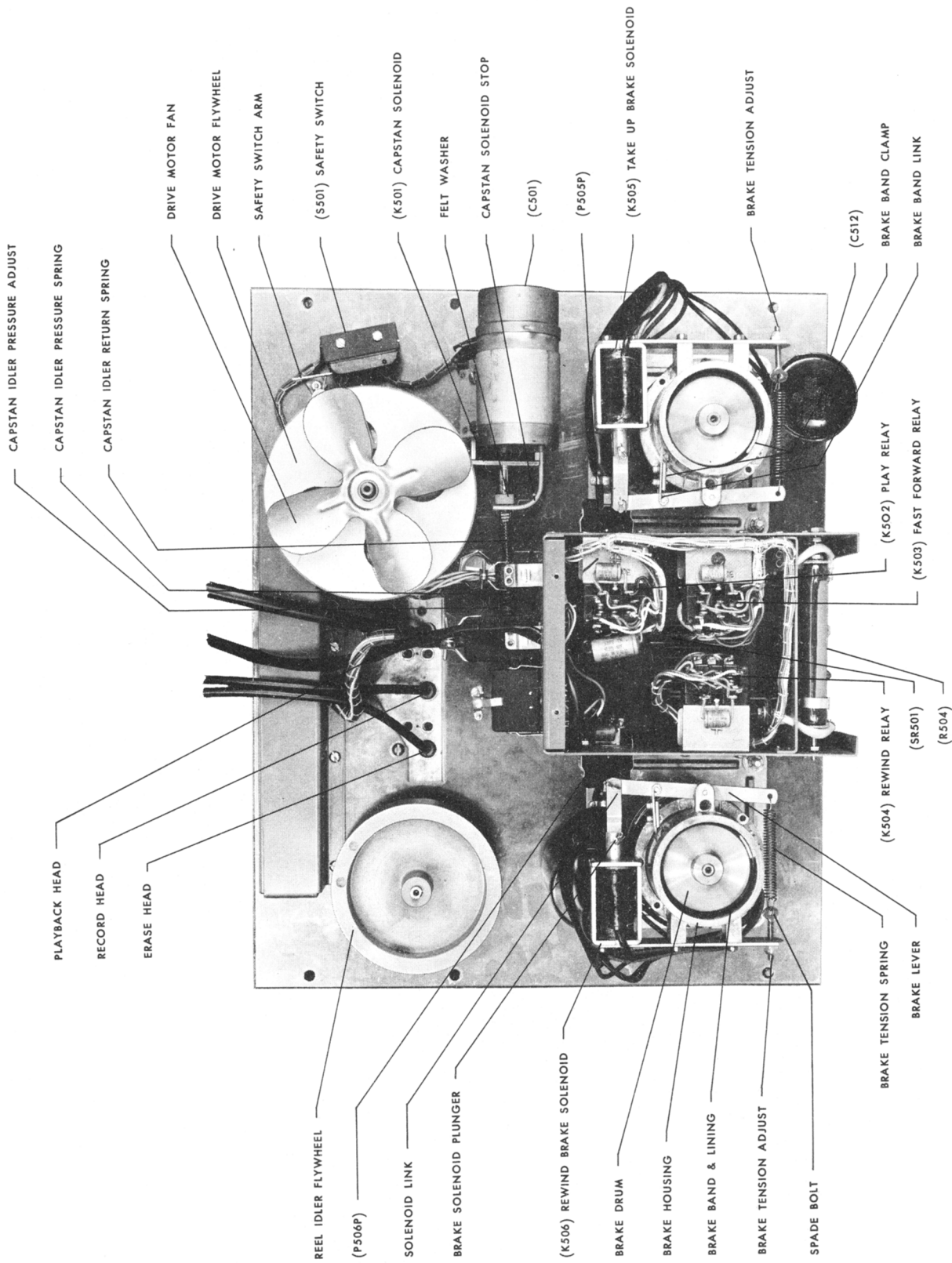
MECHANICAL ASSEMBLY-TOP

CATALOG NO. 5700

AMPEX CORPORATION

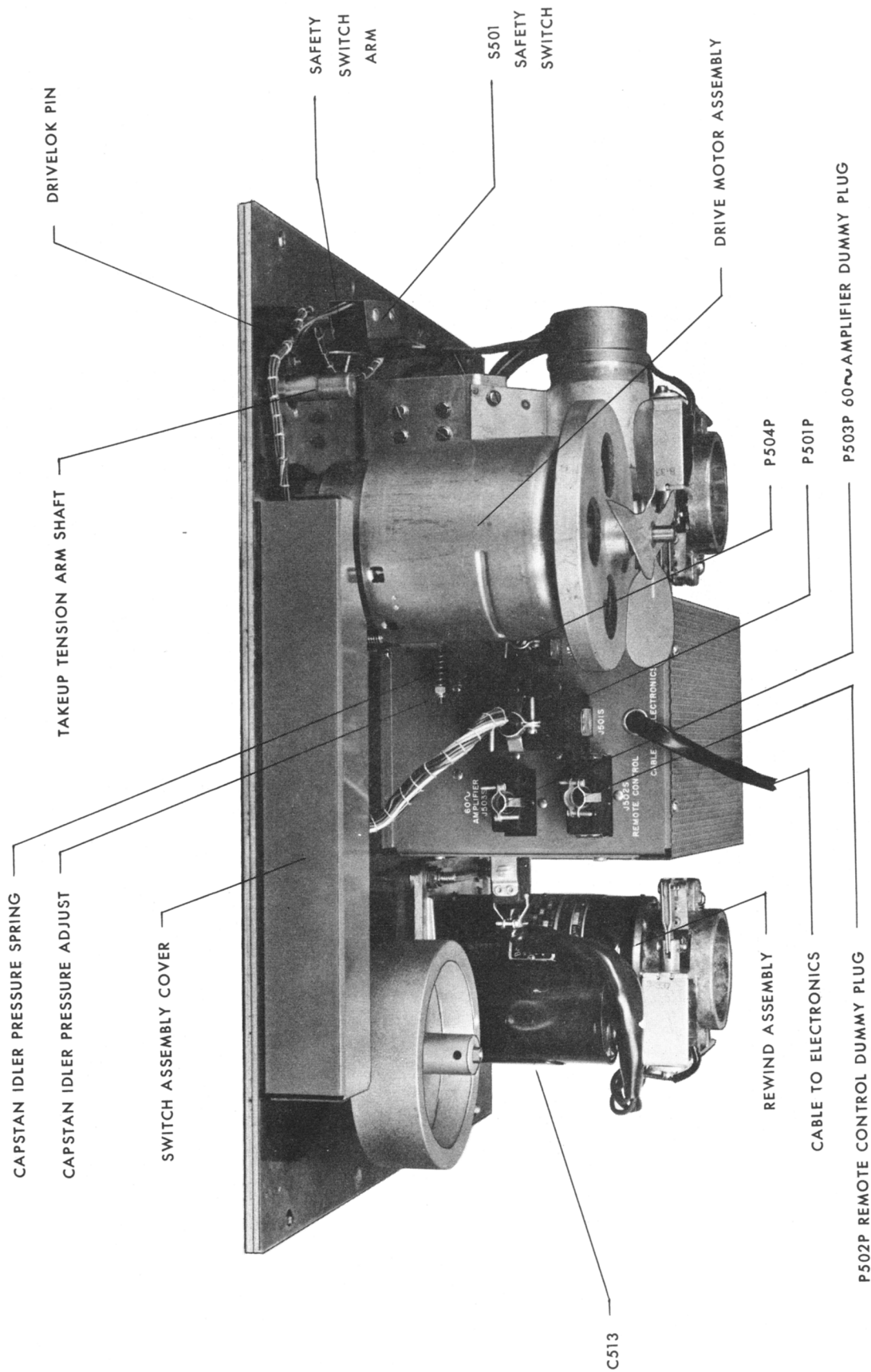
REDWOOD CITY, CALIFORNIA

FIG. 11



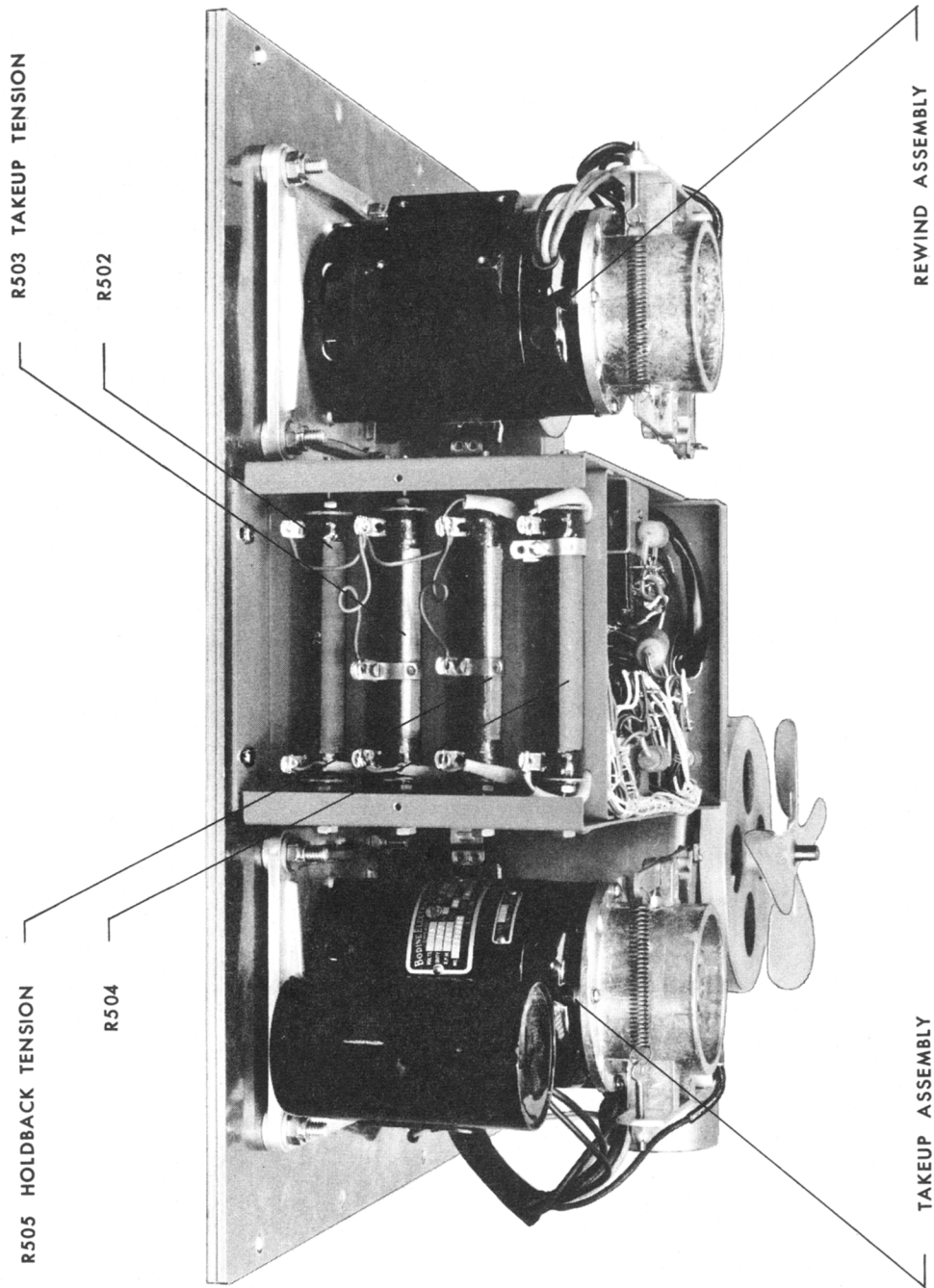
MECHANICAL ASSEMBLY - BOTTOM  
 CATALOG NO. 5700  
 AMPEX CORPORATION  
 REDWOOD CITY, CALIFORNIA

FIG. 12



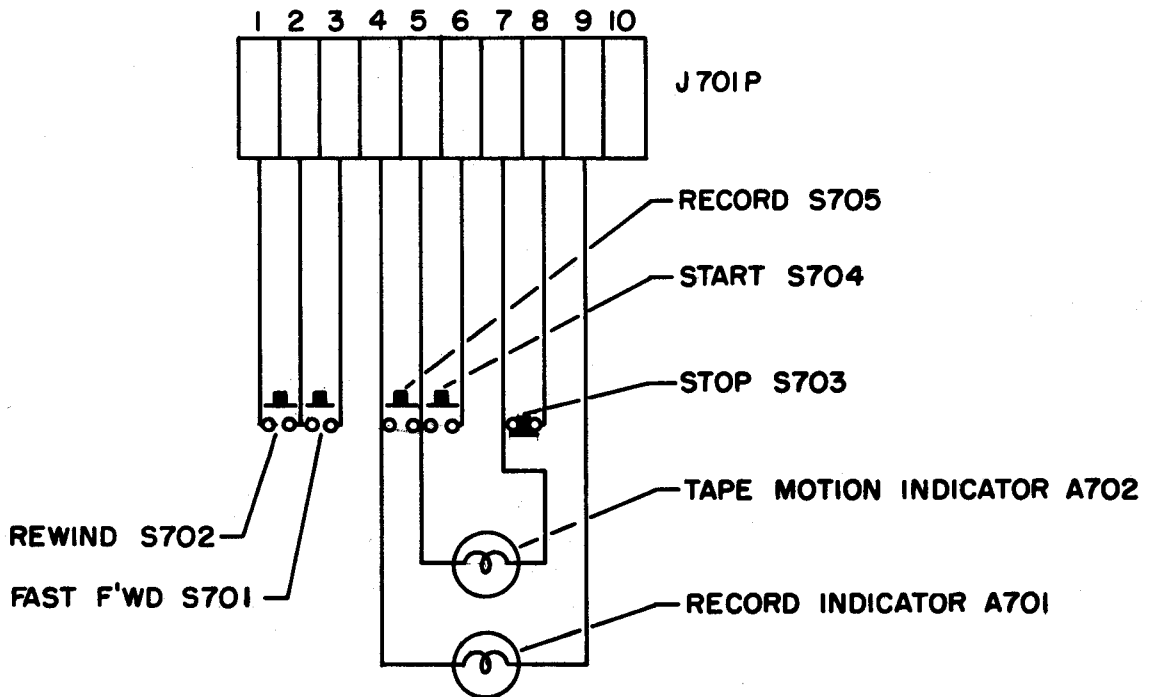
MECHANICAL ASSEMBLY-BOTTOM-FRONT  
 CATALOG NO. 5700  
 AMPEX CORPORATION  
 REDWOOD CITY, CALIFORNIA

FIG. 13



MECHANICAL ASSEMBLY-BOTTOM-REAR  
 CATALOG NO. 5700  
 AMPEX CORPORATION  
 REDWOOD CITY, CALIFORNIA

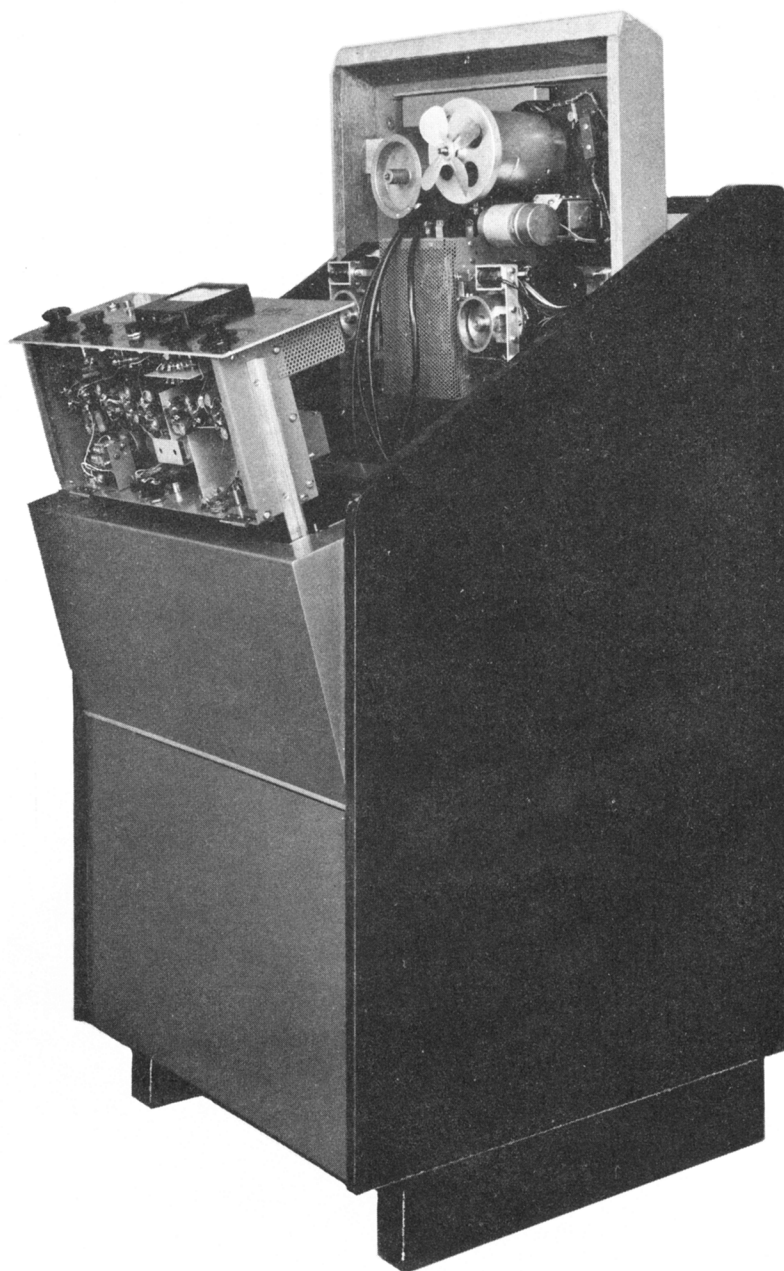
FIG. 14



REMOTE CONTROL UNIT  
 CATALOG NO. 5763 OR 5763-1  
 AMPEX ELECTRIC CORPORATION  
 REDWOOD CITY, CALIFORNIA

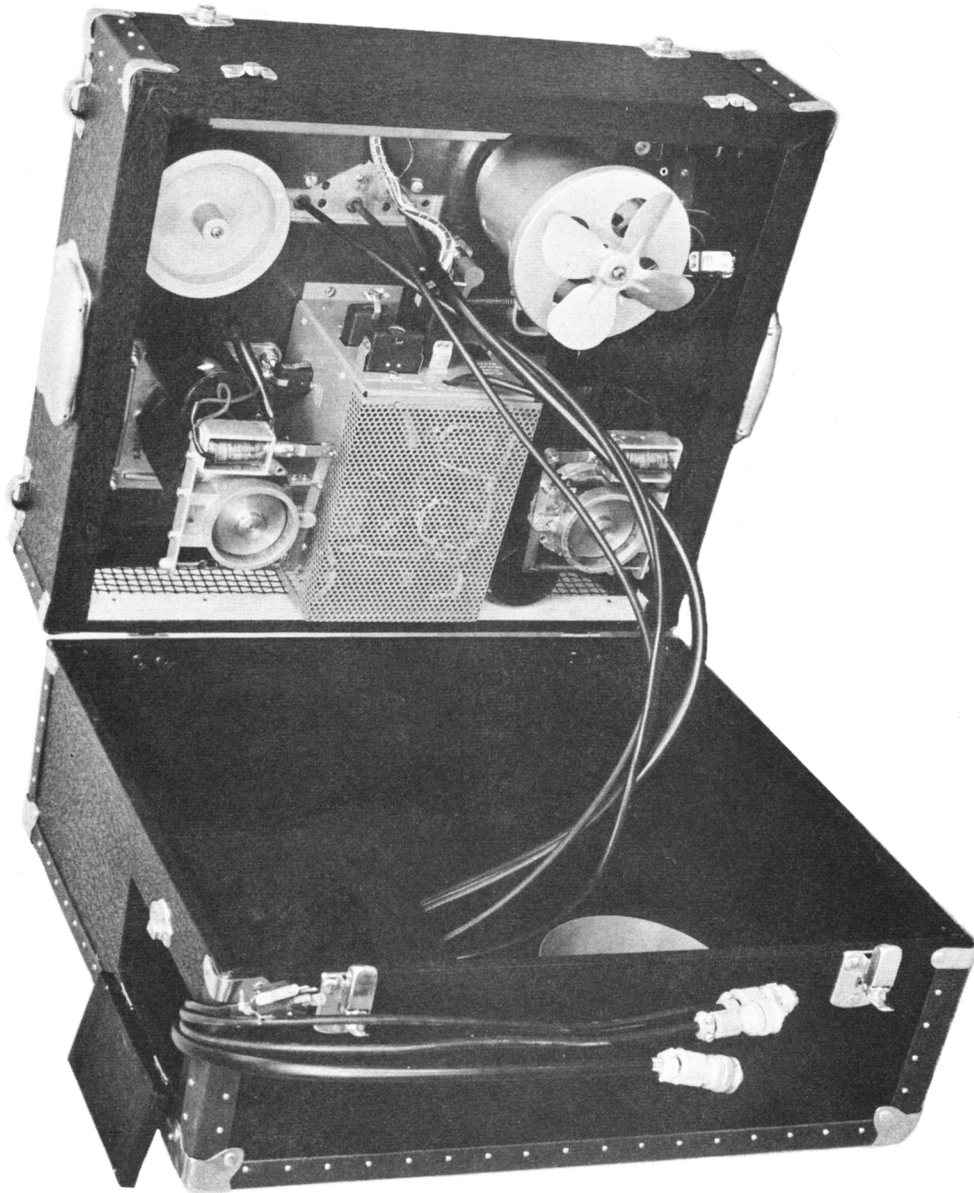
FIG. 15





CONSOLE SERVICE ACCESS  
MODEL 350  
AMPEX CORPORATION  
REDWOOD CITY, CALIFORNIA

FIG. 16



MECHANICAL ASSEMBLY SERVICE ACCESS  
CATALOG NO. 5700 (PORTABLE)  
AMPEX CORPORATION  
REDWOOD CITY, CALIFORNIA

FIG. 17