

22" TFT LCD COLOR MONITOR

Service
Service
Service

220EW9FB/00
220EW9FB/05
220EW9FB/93



Service Manual

TABLE OF CONTENTS

Description	Page	Description	Page
Important Safety Notice	2	Scaler Board Schematic Diagram	21 ~ 23
Technical Data & Power Management	3 ~ 4	Power Board Schematic Diagram	24 ~ 25
Connection to PC	5	Button Board Schematic Diagram	26
OSD Menu Control Level Structure	6	Scaler Board Layout Side View	27
Advanced OSD Adjustment	7	Power Board Layout Side View	28
OSD Attention Signal	8	Exploded View	29
Safety and troubleshooting information	9	Recommended Parts List	30~32
Definition of Pixel Defects	10 ~ 11	Different Parts List	33
Wiring Diagram	12	General Trouble Shooting Guide	34~47
Mechanical Instructions	13 ~ 14	General Product Specification	48 ~ 60
F/W Upload Instructions	15 ~ 15	Safety Check Process	61
DDC Instructions	16 ~ 17		
DDC DATA	18 ~ 18		
Safety Instructions, Warnings and Notes	19		
Block Diagram	20		

SAFETY NOTICE

ANY PERSON ATTEMPTING TO SERVICE THIS CHASSIS MUST FAMILIARIZE HIMSELF WITH THE CHASSIS AND BE AWARE OF THE NECESSARY SAFETY PRECAUTIONS TO BE USED WHEN SERVICING ELECTRONIC EQUIPMENT CONTAINING HIGH VOLTAGES.

CAUTION: USE A SEPARATE ISOLATION TRANSFORMER FOR THIS UNIT WHEN SERVICING.

REFER TO BACK COVER FOR IMPORTANT SAFETY GUIDELINE.



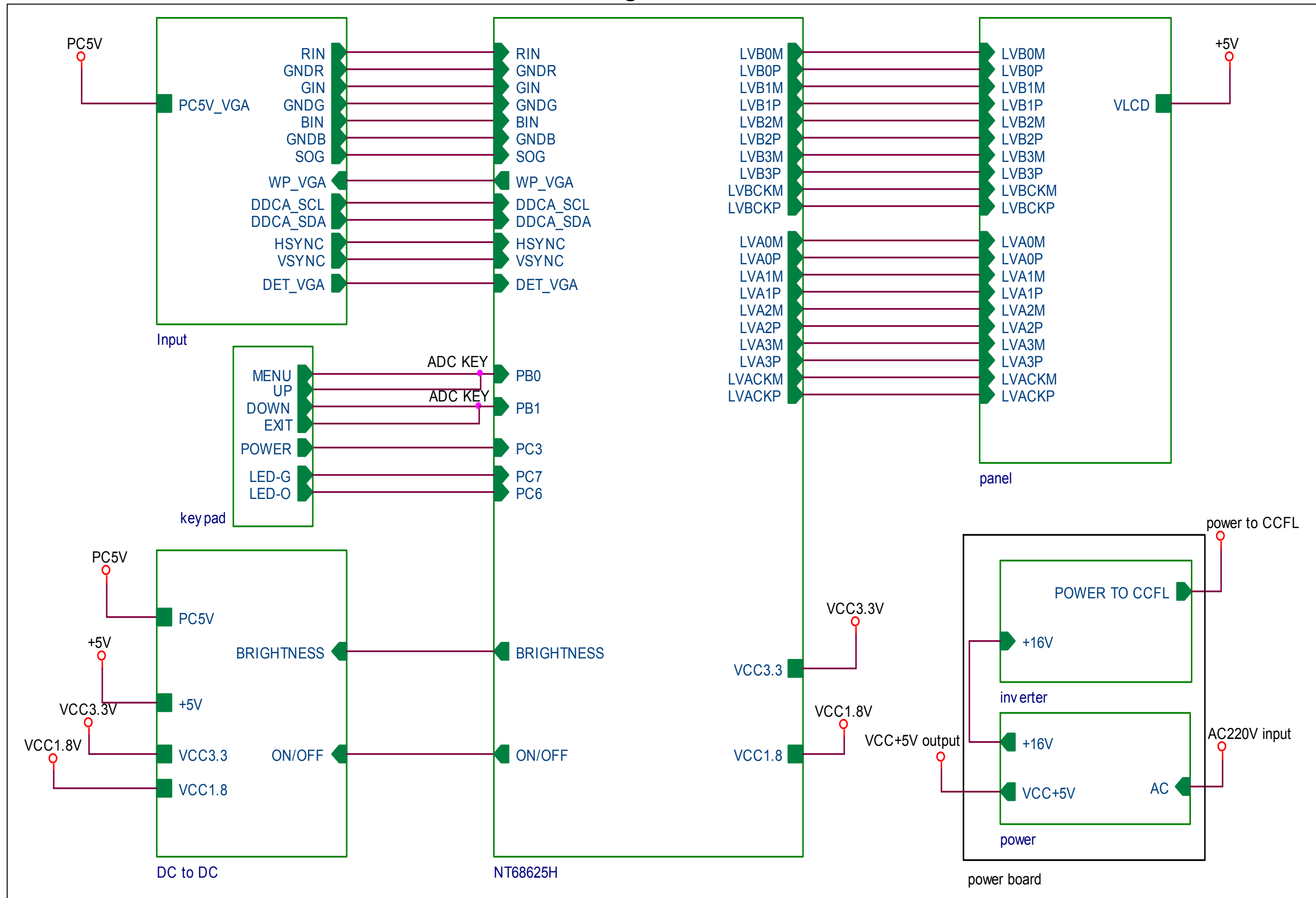
Subject to modification May. 5th. 2008

Copyright 2008 Philips Consumer Lifestyle. All rights reserved. No part of this publication may be reproduced, stored in a retrieval system or transmitted, in any form or by means, electronic, mechanical, photocopying, or otherwise without the prior permission of Philips. Safety regulations require that the set is restored to its original condition and that parts which are identical with those specified are used.

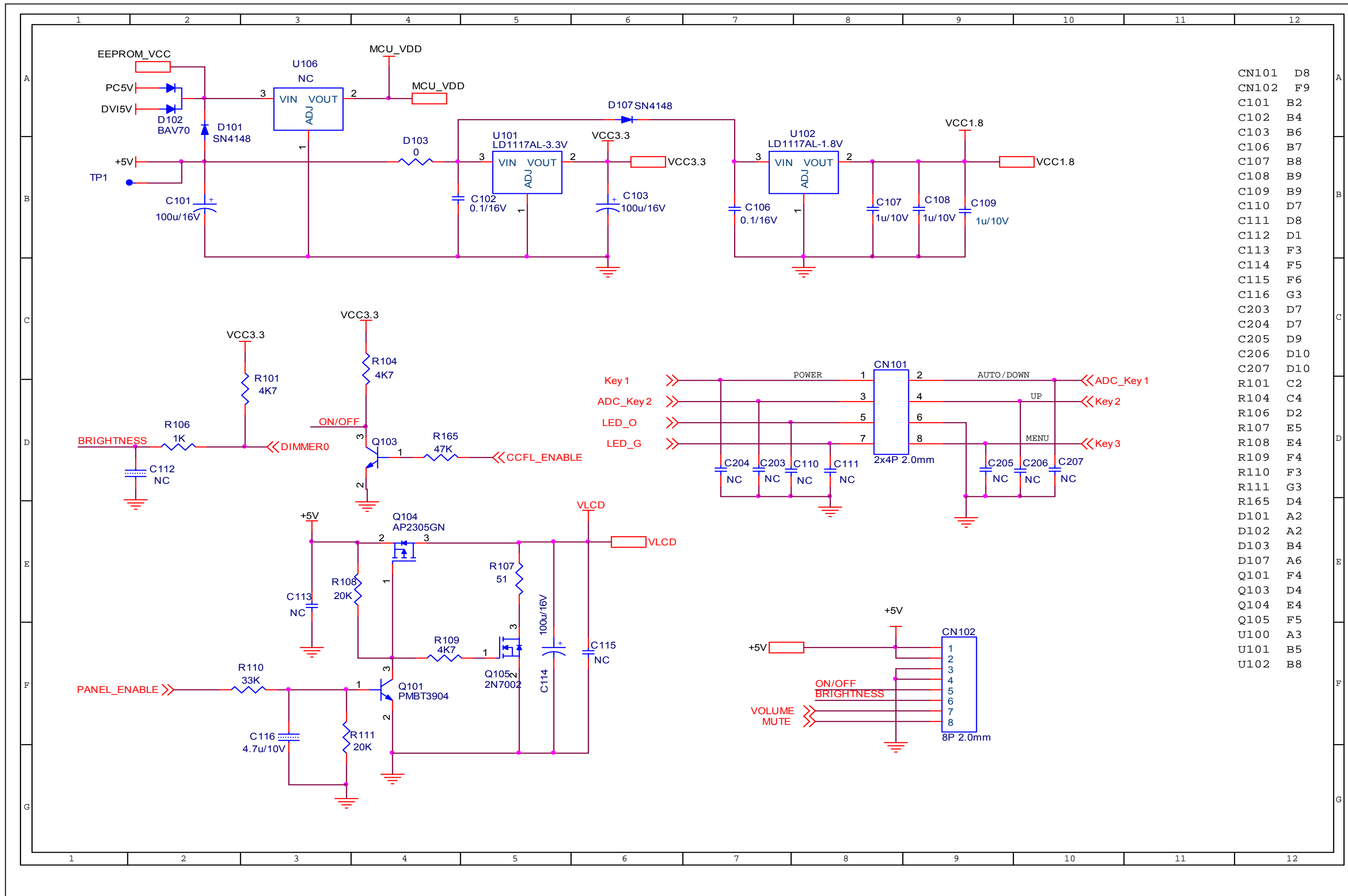
PHILIPS

EN: 312278518000

Block Diagram

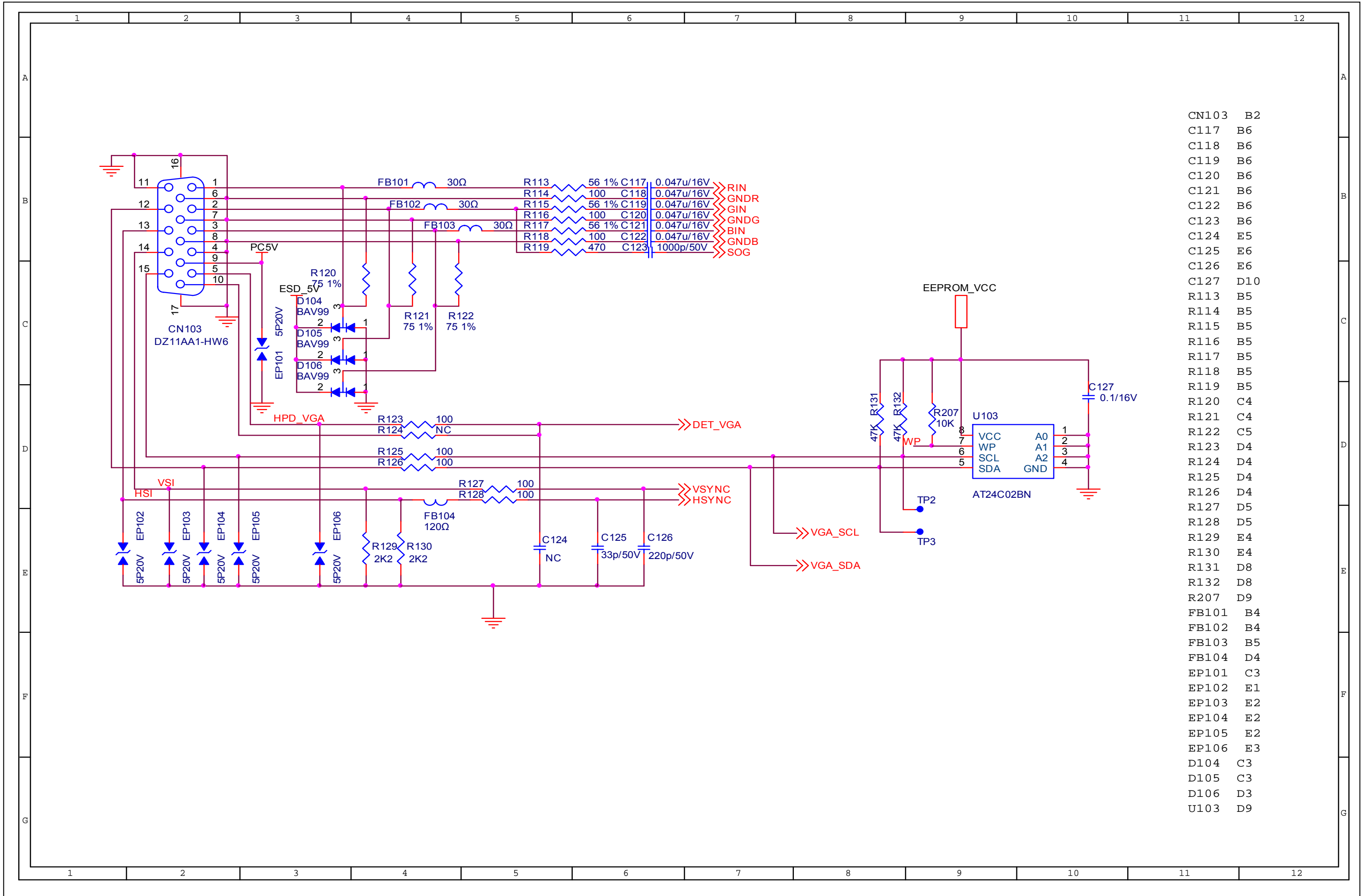


Schematic Diagram (Scaler Board - Power)

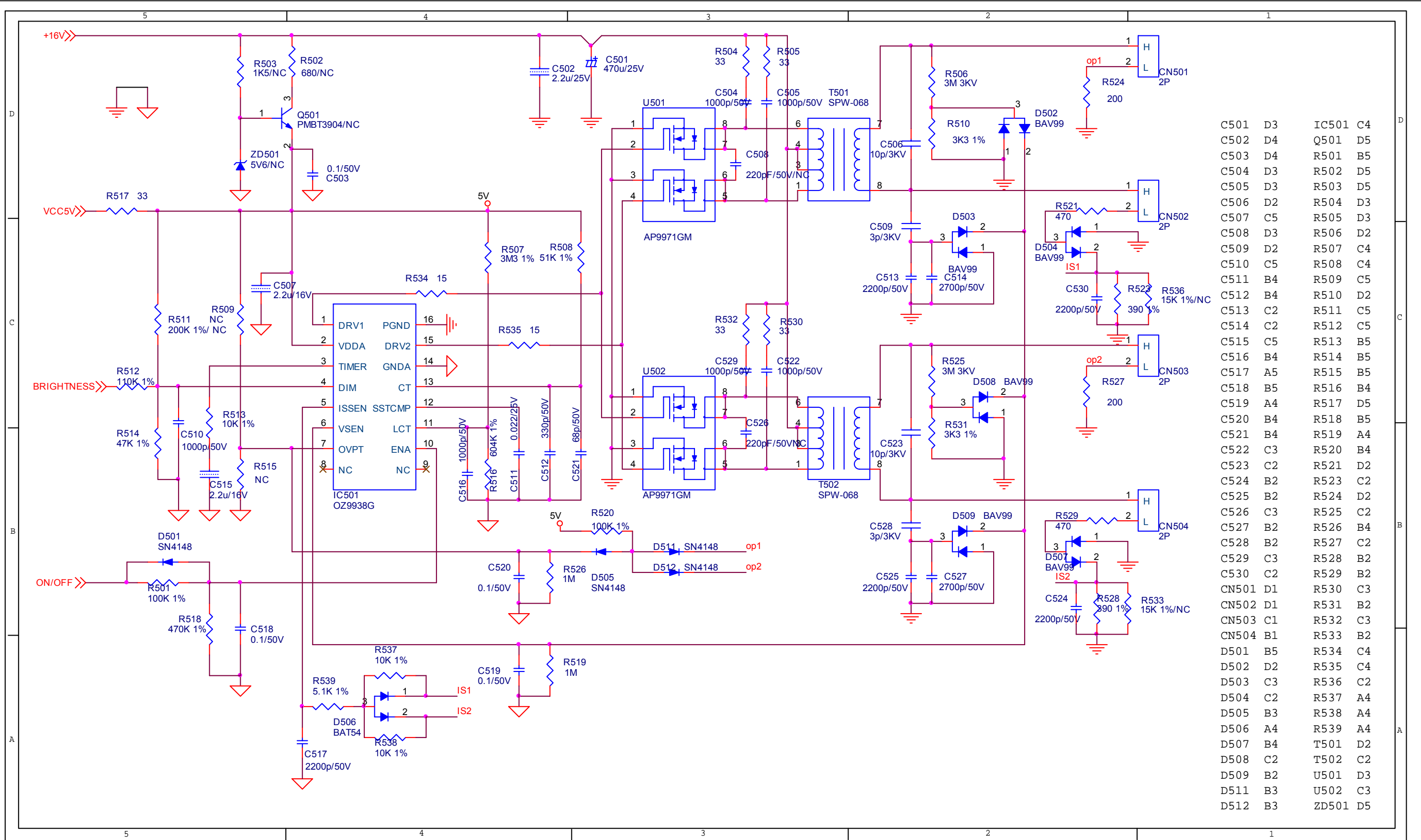


CN101	D8
CN102	F9
C101	B2
C102	B4
C103	B6
C106	B7
C107	B8
C108	B9
C109	B9
C110	D7
C111	D8
C112	D1
C113	F3
C114	F5
C115	F6
C116	G3
C203	D7
C204	D7
C205	D9
C206	D10
C207	D10
R101	C2
R104	C4
R106	D2
R107	E5
R108	E4
R109	F4
R110	F3
R111	G3
R165	D4
D101	A2
D102	A2
D103	B4
D107	A6
Q101	F4
Q103	D4
Q104	E4
Q105	F5
U100	A3
U101	B5
U102	B8

Schematic Diagram(Scaler Board -Input)

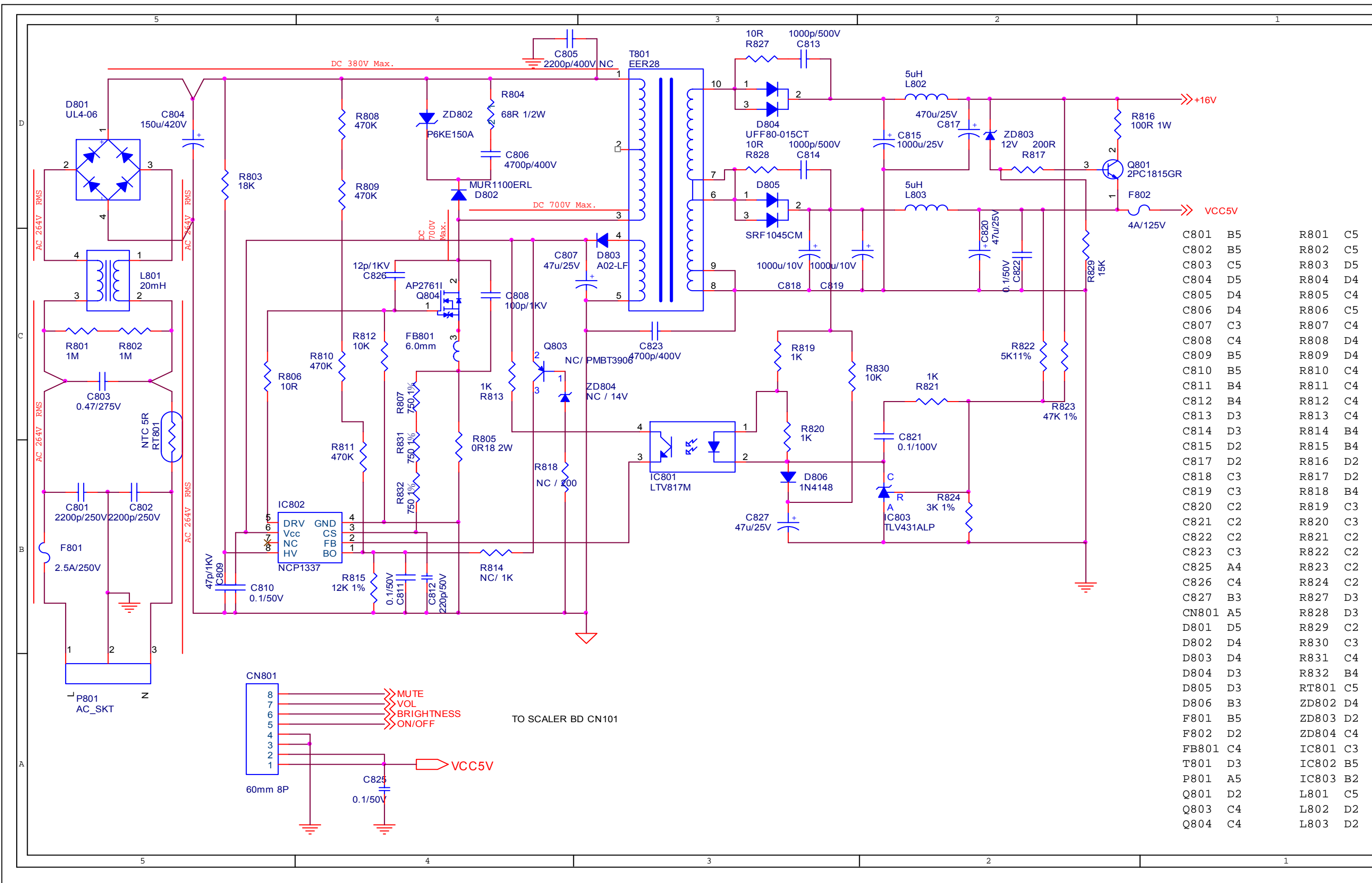


Schematic Diagram(Power Board)



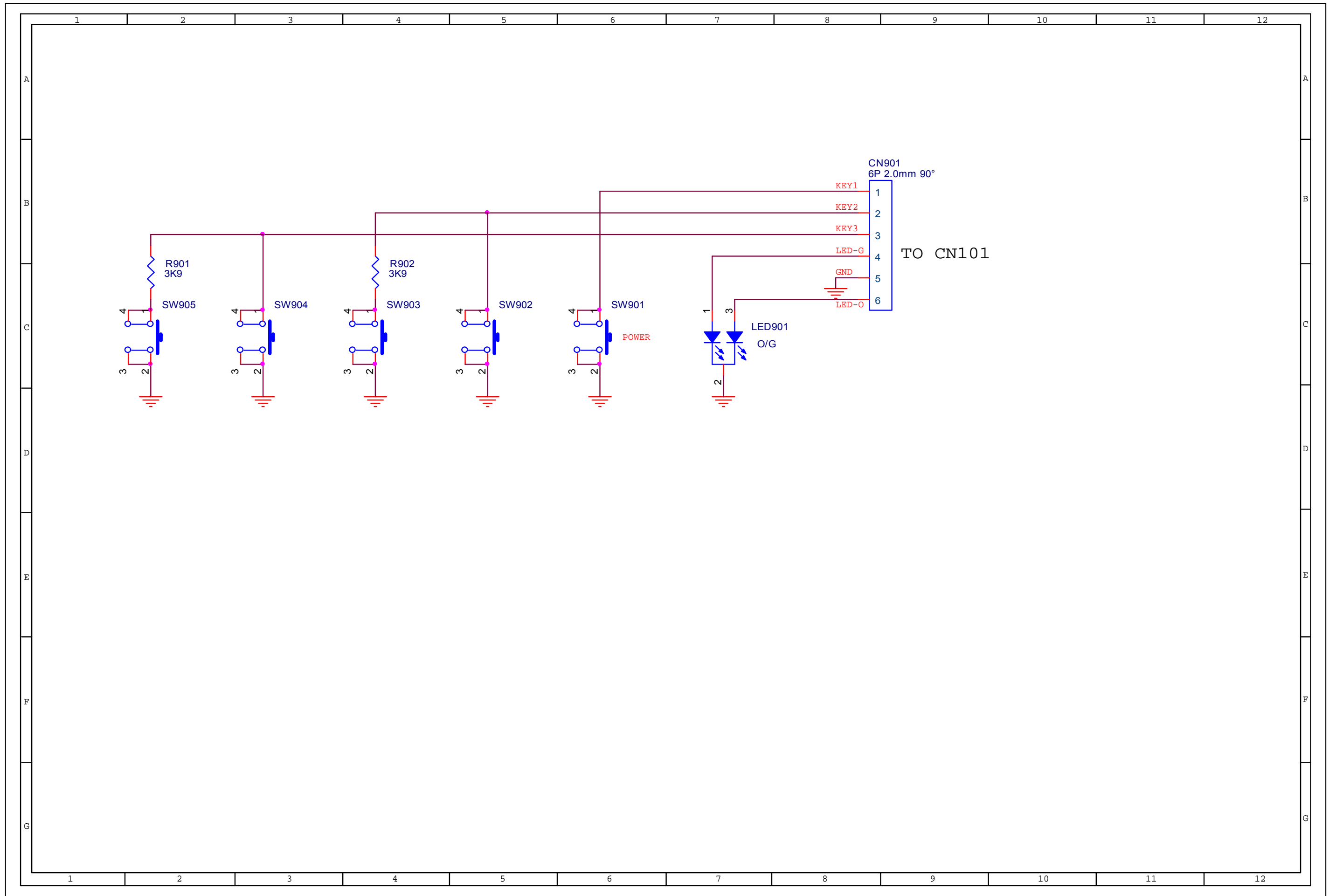
C501	D3	IC501	C4
C502	D4	Q501	D5
C503	D4	R501	B5
C504	D3	R502	D5
C505	D3	R503	D5
C506	D2	R504	D3
C507	C5	R505	D3
C508	D3	R506	D2
C509	D2	R507	C4
C510	C5	R508	C4
C511	B4	R509	C5
C512	B4	R510	D2
C513	C2	R511	C5
C514	C2	R512	C5
C515	C5	R513	B5
C516	B4	R514	B5
C517	A5	R515	B5
C518	B5	R516	B4
C519	A4	R517	D5
C520	B4	R518	B5
C521	B4	R519	A4
C522	C3	R520	B4
C523	C2	R521	D2
C524	B2	R522	C2
C525	B2	R523	D2
C526	C3	R524	C2
C527	B2	R525	C2
C528	B2	R526	B4
C529	C3	R527	C2
C530	C2	R528	B2
C5301	D1	R529	B2
CN501	D1	R530	C3
CN502	C1	R531	B2
CN503	C1	R532	C3
CN504	B1	R533	B2
D501	B5	R534	C4
D502	D2	R535	C4
D503	C3	R536	C2
D504	C2	R537	A4
D505	B3	R538	A4
D506	A4	R539	A4
D507	B4	T501	D2
D508	C2	T502	C2
D509	B2	U501	D3
D511	B3	U502	C3
D512	B3	ZD501	D5

Schematic Diagram(Power Board)



C801	B5	R801	C5
C802	B5	R802	C5
C803	C5	R803	D5
C804	D5	R804	D4
C805	D4	R805	C4
C806	D4	R806	C5
C807	C3	R807	C4
C808	C4	R808	D4
C809	B5	R809	D4
C810	B5	R810	C4
C811	B4	R811	C4
C812	B4	R812	C4
C813	D3	R813	C4
C814	D3	R814	B4
C815	D2	R815	B4
C817	D2	R816	D2
C818	C3	R817	D2
C819	C3	R818	B4
C820	C2	R819	C3
C821	C2	R820	C3
C822	C2	R821	C2
C823	C3	R822	C2
C825	A4	R823	C2
C826	C4	R824	C2
C827	B3	R827	D3
CN801	A5	R828	D3
D801	D5	R829	C2
D802	D4	R830	C3
D803	D4	R831	C4
D804	D3	R832	B4
D805	D3	RT801	C5
D806	B3	ZD802	D4
F801	B5	ZD803	D2
F802	D2	ZD804	C4
FB801	C4	IC801	C3
T801	D3	IC802	B5
P801	A5	IC803	B2
Q801	D2	L801	C5
Q803	C4	L802	D2
Q804	C4	L803	D2

Schematic Diagram(Button Board)



Layout side View(Power Board)

LAYER	SILKSCREEN BOTTOM			
PCB NO :	491241400101R	REV :	D	DESIGNER: Inkai Qiu
FILE NAME :	ILPI-033 2	DATE :	2008.04.25	

R501	B2	R822	B3	C821	B3
R502	C2	R823	B3	C822	B2
R503	C2	R824	B3	C823	B3
R504	B2	R827	C2	C823-1	C2
R505	B2	R828	B3	C825	B4
R506	B1	R829	B3	C826	C4
R507	B1	R830	B3	C827	B3
R508	B1	R831	B4	H501	D2
R509	B1	R832	B4	H801	C4
R510	B1	C501	C2	H802	B3
R511	B1	C502	C2	RT801	D2
R512	B1	C503	B2	P801	D2
R513	C1	C504	B2	FB801	C4
R514	B1	C505	B2	F801	D2
R515	B1	C506	B1	F802	B2
R516	B2	C507	C1	CN501	B1
R517	B2	C508	B2	CN502	B1
R518	B2	C509	B1	CN503	D1
R519	B1	C510	B1	CN504	D1
R520	C1	C511	C2	CN801	B4
R521	B1	C512	C2	L801	C2
R523	C1	C513	B1	L802	C2
R524	B1	C514	B1	L803	B2
R525	D1	C515	C1	D801	C2
R526	B1	C516	C2	D802	C4
R527	C1	C517	C1	D803	B4
R528	C1	C518	B2	D804	C3
R529	C1	C519	C1	D805	B3
R530	C1	C520	B1	D806	B3
R531	C1	C521	C2	D501	B2
R532	C1	C522	C1	D502	B1
R533	C1	C523	D1	D503	B1
R534	C1	C524	C1	D504	B1
R535	C1	C525	C1	D505	B1
R536	C1	C526	C1	D506	C1
R537	C1	C527	C1	D507	C1
R538	C1	C528	D1	D508	C1
R539	C1	C529	C1	D509	C1
R801	D2	C530	B1	D511	C1
R802	D2	C801	D2	D512	C1
R803	C4	C802	D2	T501	B1
R804	C2	C803	B4	T502	C1
R805	C4	C803	C2	T801	B3
R806	B4	C804	C2	Q501	C2
R807	C4	C805	C2	Q801	B2
R808	C4	C806	C2	Q804	C4
R809	C4	C807	B3	U501	B2
R810	B4	C808	C4	U502	C1
R811	B4	C809	B4	IC501	C1
R812	B4	C810	B4	IC801	B3
R813	B4	C811	B4	IC802	B4
R814	B4	C812	B4	IC803	B3
R815	B4	C813	C2	ZD501	C2
R816	B3	C814	B2	ZD802	C2
R817	B3	C815	C2	ZD803	B3
R818	B4	C817	C2	ZD804	B4
R819	B3	C818	B2		
R820	B3	C819	B2		
R821	B3	C820	B2		

1. VCC5V
2. VCC5V
3. GND
4. GND
5. ON/OFF
6. BRIGHTNESS
7. VOL
8. MUTE

