

# COT OXFORD



MODEL # 091234

IMPORTANT: RETAIN FOR  
FUTURE REFERENCE, READ  
CAREFULLY

# SAFETY PRECAUTIONS



Before assembling this cot, read and understand the instructions. Incorrect assembly may make the cot unsafe. Do not use this cot if any part is broken, torn or missing. Keep instructions in a safe place for future reference.

## **WARNING**

TO PREVENT FALLS, THE MAXIMUM MATTRESS THICKNESS SHOULD NOT EXCEED 150MM. TO PREVENT FALLS, THE MATTRESS BASE OF THIS COT SHOULD BE ADJUSTED TO THE LOWEST POSITION BEFORE THE CHILD CAN SIT UP.

**RECOMMENDED MATTRESS SIZE:  
1310MM LONG X 750 MM WIDE X 100-150 MM THICK.**

Follow the manufacturer's assembly instructions in detail to ensure the safety of the cot are not compromised

This cot has been manufactured for one child only, with a maximum weight of 18kg in cot configuration, 27kg when in cot bed configuration

The drop side must be raised when the child is unsupervised

When the mattress base is assembled in the lower position ENSURE the higher cot base holes are filled with the fitted plugs supplied TIGHTLY. This is to prevent finger entrapment, swelling and inhalation hazards

Ensure the cot is placed at a reasonable distance from curtain, blinds, heaters and power points

Ensure the cot is completely assembled and check that all parts are securely tightened before placing the child into the cot

Ensure medication, string, elastic, small toys or small items such as money etc are always kept out of the child's reach when in the cot

Do not provide a foothold for your child to climb out by fixing a toy or decoration to the inside of the cot

Do not overtighten screws

Ensure that the child is clear of any moving parts when adjusting the cot

Retain your sales receipt to provide proof of purchase

### **RECOMMENDED MATTRESS SIZE:**

THIS COT HAS BEEN MANUFACTURED FOR USE WITH A MATTRESS WHICH MEASURES 1310MM LONG BY 750 MM WIDE AND 100-150 MM IN THICKNESS. The width and length are specified because it is important that the gaps between the mattress and the sides and ends of the cot will not exceed 40 mm when the mattress is pushed to one side or end, and 20mm when the mattress is centred in the cot. This is to minimise the risk of a child's limb becoming caught in the gap. The thickness of the mattress has been specified to ensure that the depth of the cot is greater than 500 mm with the mattress base in the lower position to minimise the risk of a child climbing or falling out of the cot.

**Congratulations** on your purchase of the bebe care Oxford Cot.



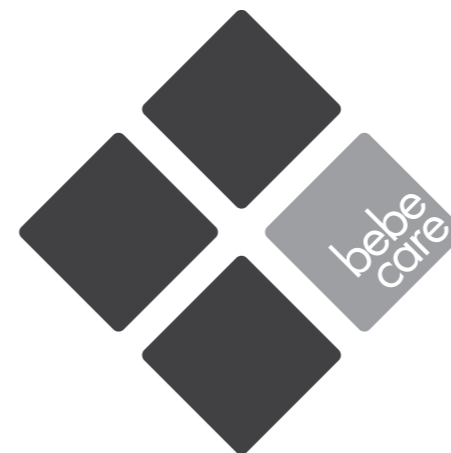
This product has been designed and developed with safety, comfort and functionality in mind. Please take the time to read this manual carefully before using this product and keep it in a safe place for future reference.

## **Contents**

Assembly contents list

Assembly instructions

How to care for your bebe care cot



Due to variations in the style and design of our products, the photographs and illustrations shown in this instruction manual are generic, therefore product fabrics, colour and design may vary from images shown. CNP Brands reserves the right to alter product specifications without notice as a result of our ongoing policy of product improvement.

# Hardware list

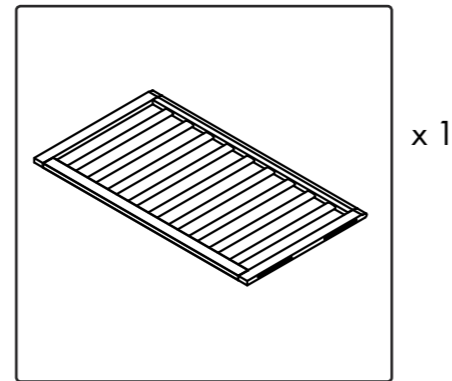
## Check what you have received...

You have received 2 boxes. Please check the contents of the boxes against the list below. If anything is missing, please contact Customer Service. In Australia, contact CNP Brands on 1300 667 137, in New Zealand contact Wainhouse Distribution on 0800 567 5000.

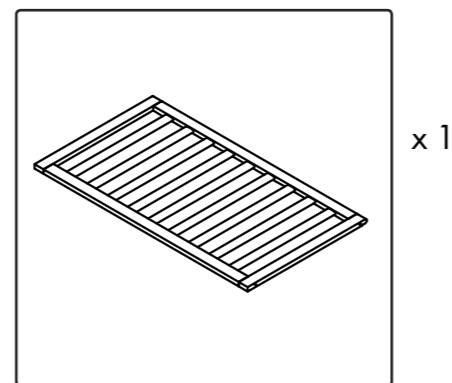


## Box A

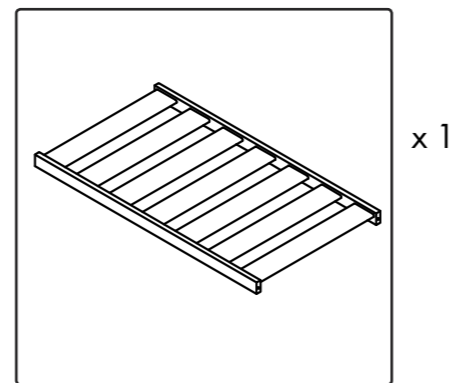
Drop side panel (5)  
(with bebe care badge)



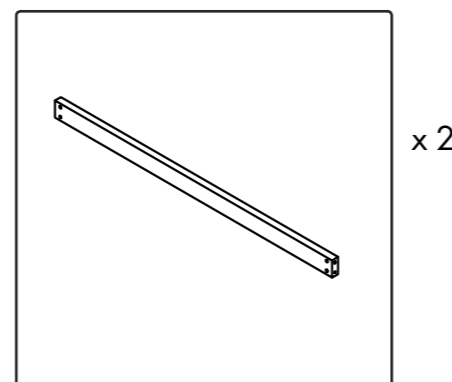
Fixed side panel (6)



Mattress base (7)



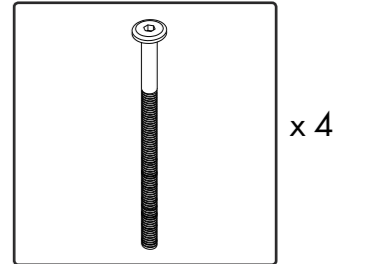
Cot bed rail (8)



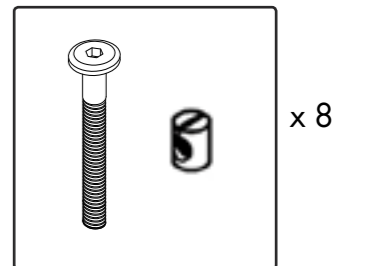
# Hardware list (cont)



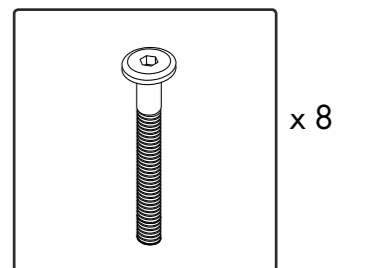
80mm Bolt (A)  
(for top rail assembly)



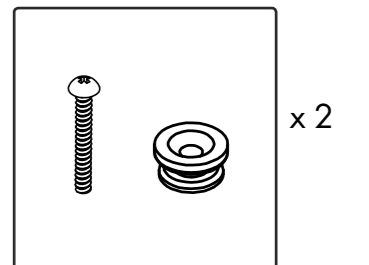
60mm Bolt + Barrel nut (B)  
(for toddler bed mode assembly)



45mm Bolt (C)  
(for fixed side panel and mattress base)



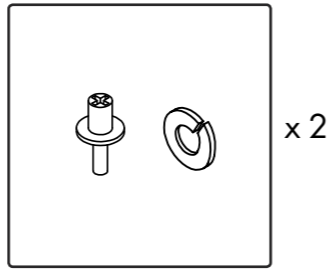
22mm Bolt (D) + Plastic ring (E)  
(For upper dropside panel assembly)



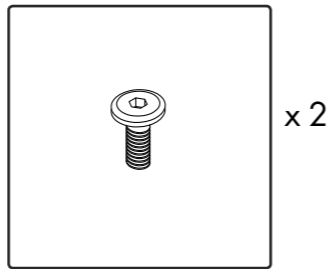
# Hardware list (cont)



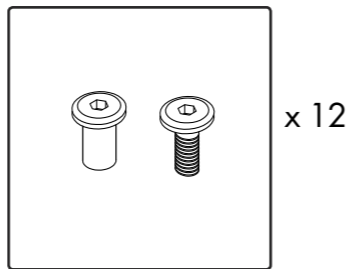
Metal guide pin (F)  
(for lower side dropside panel assembly)



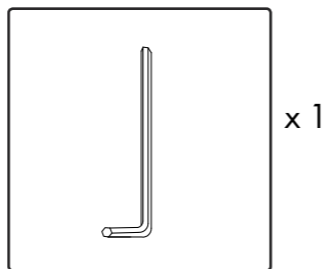
15mm Bolt (G)  
(For dropside pin hole assembly)



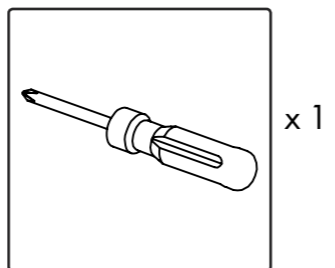
Nut (H) + 20mm bolt  
(preassembled)



Allen key (I)



Screwdriver (not supplied)

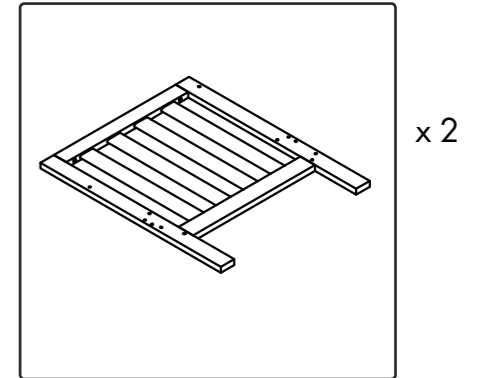


# Assembly Contents

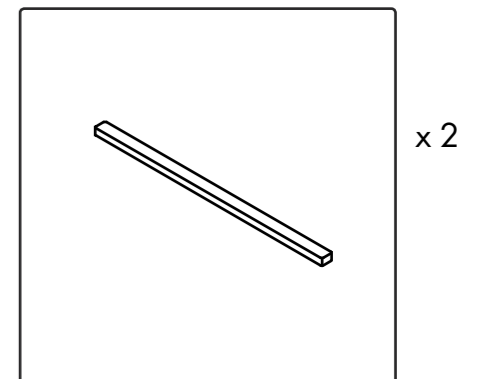


## Box B

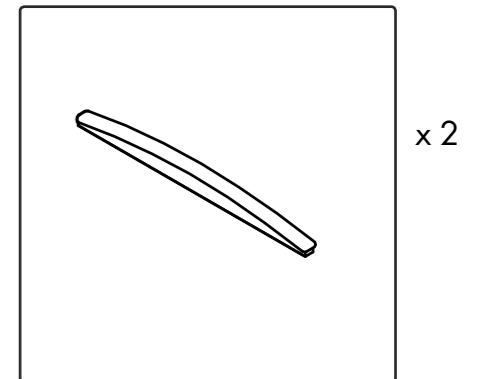
End panels  
(with wooden dowels pre-assembled)  
(1) + (2)  
L x 1pc  
R x 1pc



Flat top rail (3)



Arched top rail (4)



# Assembly Instructions - Cot Mode



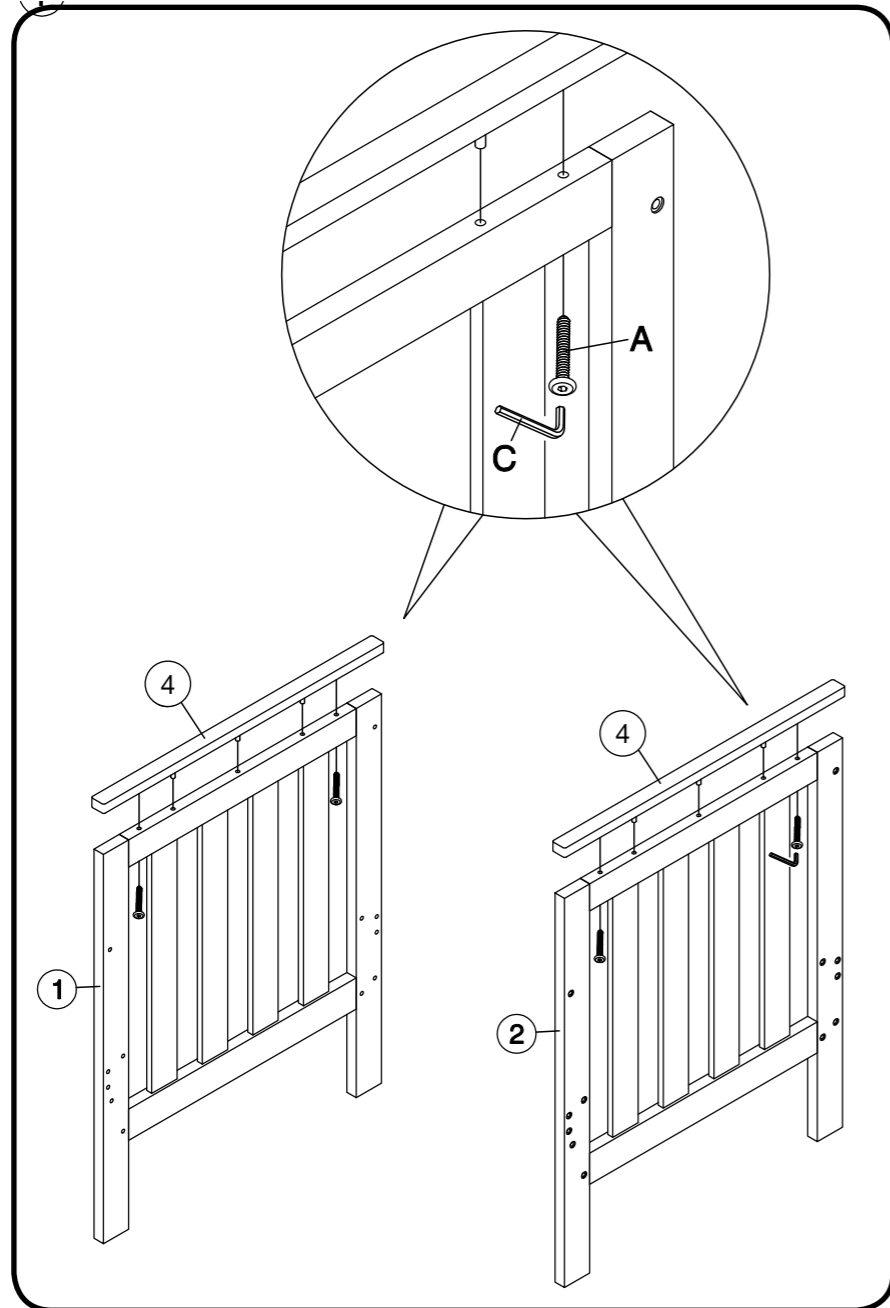
It is advisable that two people assemble the cot in the room in which the cot is to be used in.

As small parts are involved in assembly, children should be kept clear of the assembly area. Dispose of all packaging material immediately after the cot is assembled. Identify all parts and components. Clear an area on the floor for assembly and place a sheet on the floor to ensure the cot is not scratched during assembly.

## Attaching top rails

1. Select either the Flat top rails (3) or the Arch top rails (4) to be attached to the end panel (1). Store other top rails.
2. Place selected top rail on top of end panel.
3. Secure with 80mm bolts (A) by inserting them underneath the top end panel as shown. Tighten with supplied allen key (I)
4. Repeat previous step for the opposite end panel (2).

**PLEASE NOTE:** Previous steps under 'Attaching top rails' apply to both Flat top rail and Arch top rail.



# Assembly Instructions - Cot Mode



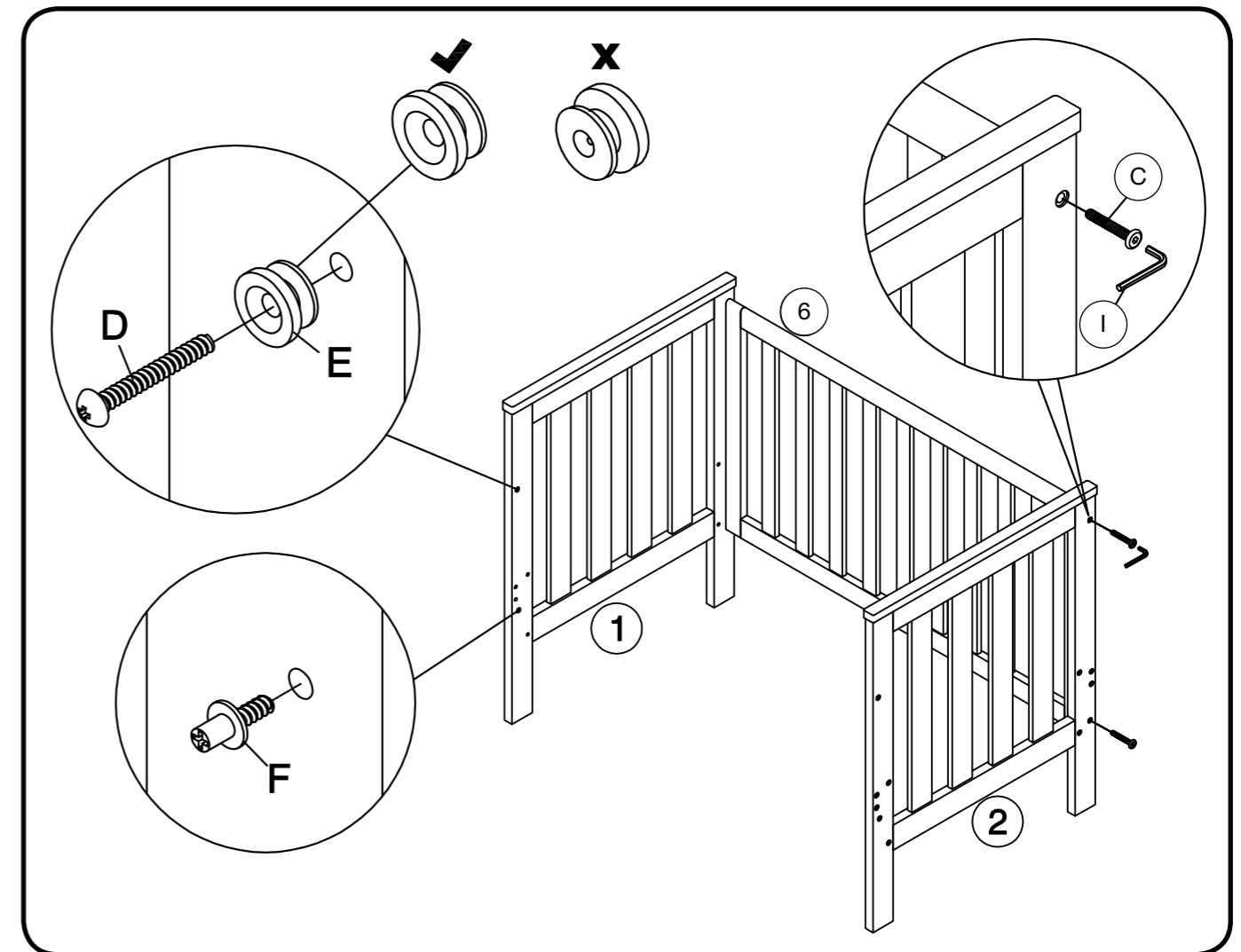
## Attaching upper drop-side guide pin

1. Insert the metal guiding pins (F) onto the end panels (1 & 2).
2. Line up the 22mm bolt (D) and plastic ring (E) as shown in image.

## Attaching fixed side panel

1. Align the fixed side panel (6) against end panels (1) and (2) and insert 4 x45mm bolts (C) into each hole as shown in the image. Tighten with supplied allen key.

**⚠ WARNING:** Do not over-tighten bolts.



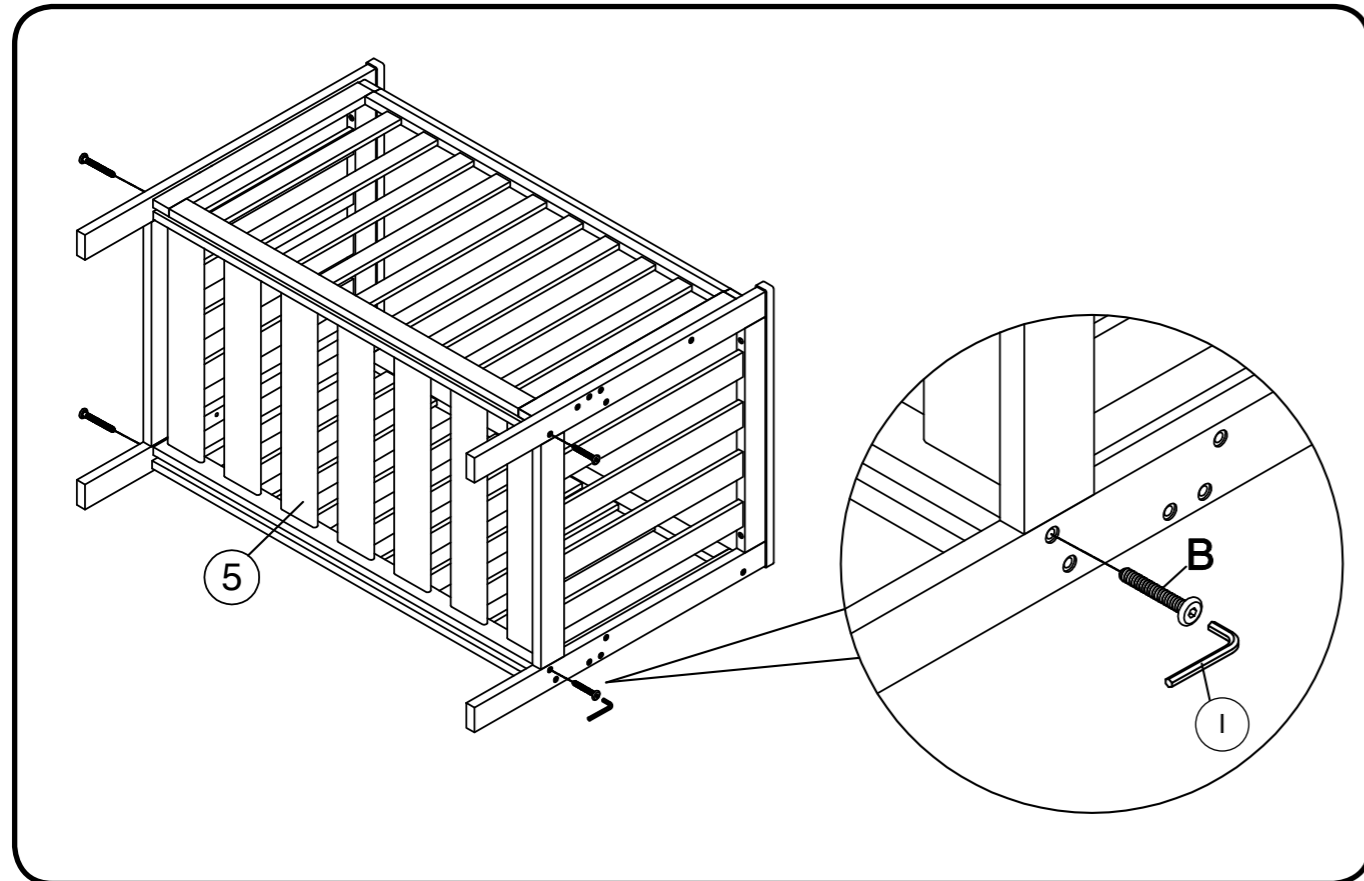
# Assembly Instructions - Cot Mode



## Attaching mattress base

1. Attach each side of the mattress base (7) to one end panel using two 45mm (C) cot assembly bolts. Secure with allen key. Do not tighten bolts completely.
2. Repeat for other end of mattress base.
3. Tighten all bolts securely.

⚠ WARNING: Do not over-tighten bolts.



# Assembly Instructions - Cot Mode



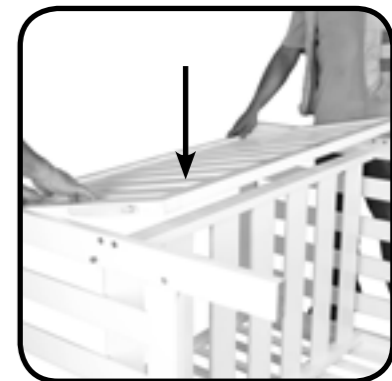
## Assemble dropside panel

Please note: The assembly of the dropside panel requires the assistance of two people.

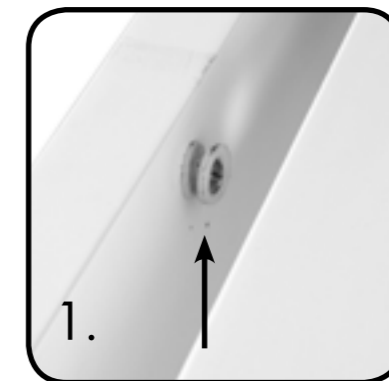
1. Loosen fixed side panel and mattress base bolts before beginning.
2. Lay the cot on it's side.



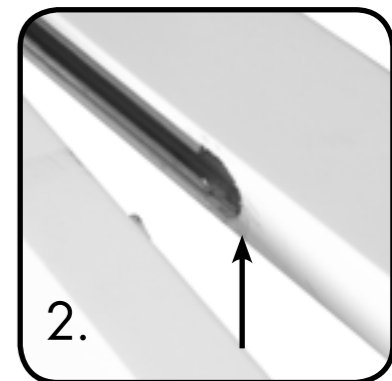
3. Using the dropside panel (5), angle it at the side of the cot at an approximate 30 degree angle. It is imperative to keep the dropside level when inserting it, otherwise it will cause damage to the cot.



3. Ensure the plastic ring in figure 1. lines up with the bottom opening in figure 2.



1. Locate the plastic ring to be guided into the opening.

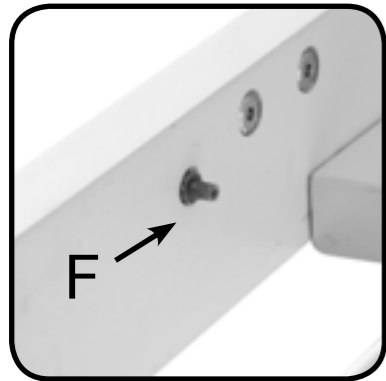
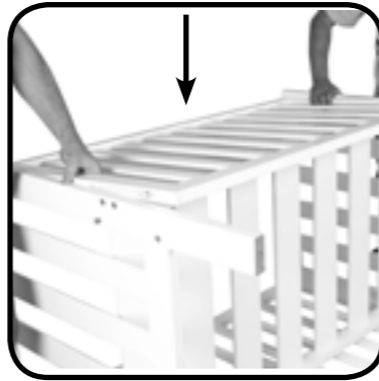


2. Ensure the plastic ring is guided into the wide opening.

# Assembly Instructions - Cot Mode



5. Once the top of the dropside panel is in place and lined up with the slot, slowly guide the panel downward whilst simultaneously prying the legs of the cot slightly outward. This will enable the metal guide pin (F) to drop into the track.



6. Ensure the bolts of the fixed side panel and the mattress are tightened before use.

⚠ WARNING: Do not over-tighten bolts.

# Assembly Instructions - Cot Mode



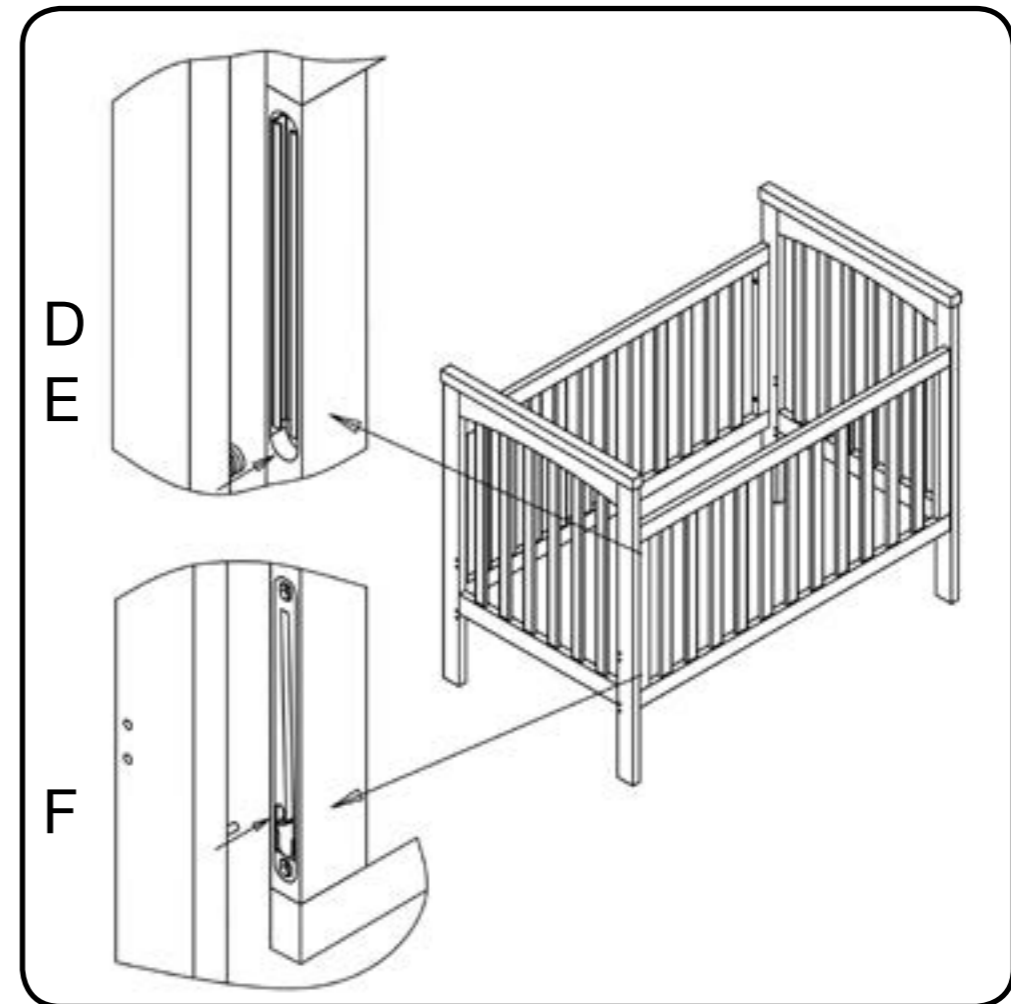
## To raise and lower drop-side panel

1. To lower drop-side panel; lift the drop-side panel in the centre of and push lower rail inwards with your leg, allowing it to drop into place.
2. To lift drop-side panel; simply hold and lift from the centre of top rail.

⚠ WARNING: Do not over-tighten bolts.

**PLEASE NOTE:** To ensure the drop-side mechanism functions properly please ensure that the contour top rail of the drop-side panel is in the upper most position as shown.

Please ensure that the fixed side panel also has the contour top rail of the fixed side panel in the upper most position.



# Assembly Instructions - Cot Mode

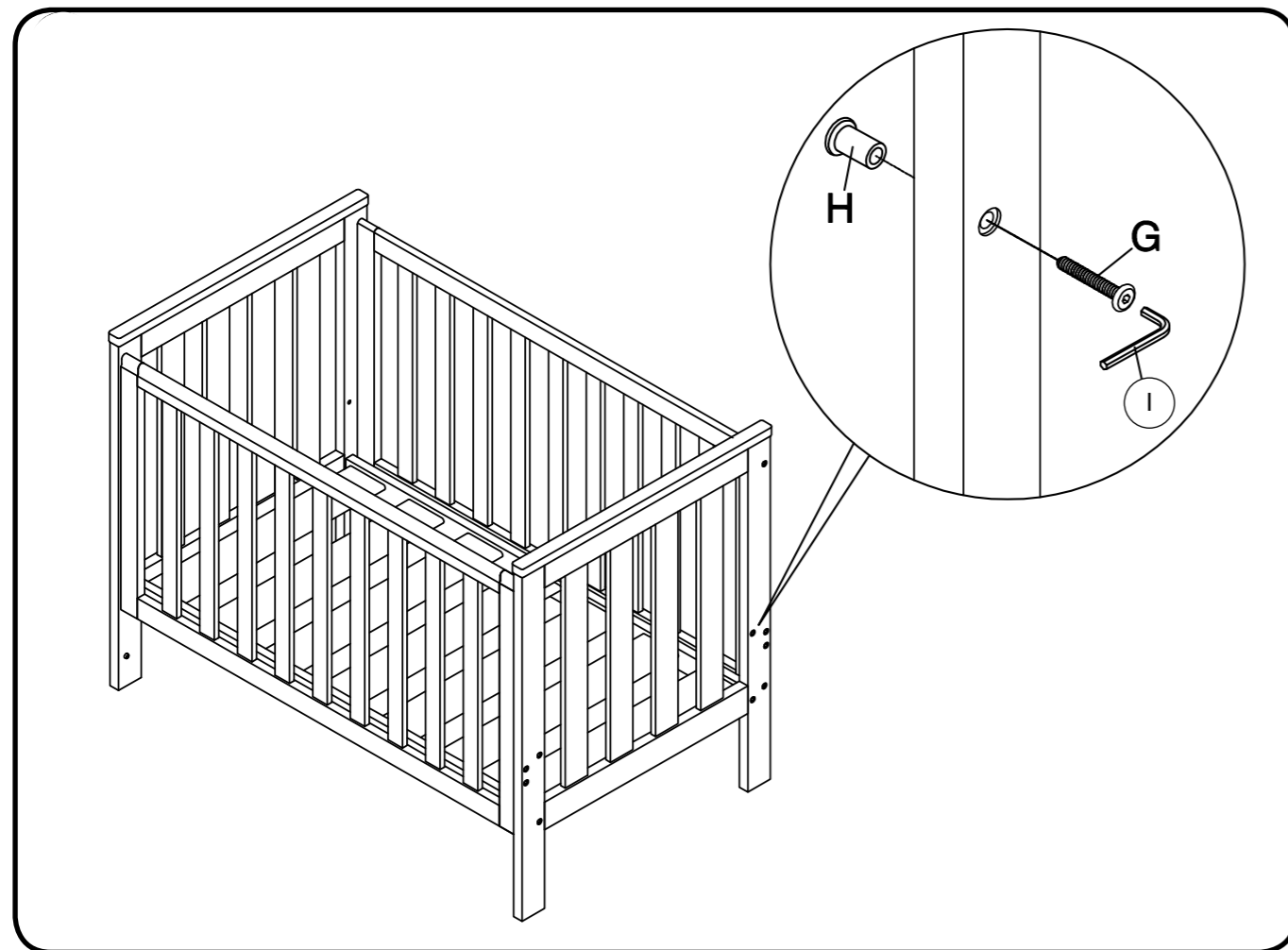


## Mattress base positioning

- Mattress base in high position;**  
This is for use when your baby is young and cannot sit up unaided.
- Mattress base in low position;**  
This is the normal position for an active baby which can sit up unaided.

⚠ WARNING: Do not over-tighten bolts.

PLEASE NOTE: The cot comes with four 1.5mm filling bolt and t-shaped nut sets already located in the lower holes of the end panels (b). If changing the mattress base from the upper to the lower position, you must swap over these bolts into position (a). It is important that these bolts are replaced into the open holes to avoid the risk of a potential finger entrapment hazard. Ensure they are secured tightly with the allen key and check regularly that they do not loosen.



# Assembly Instructions - Toddler bed

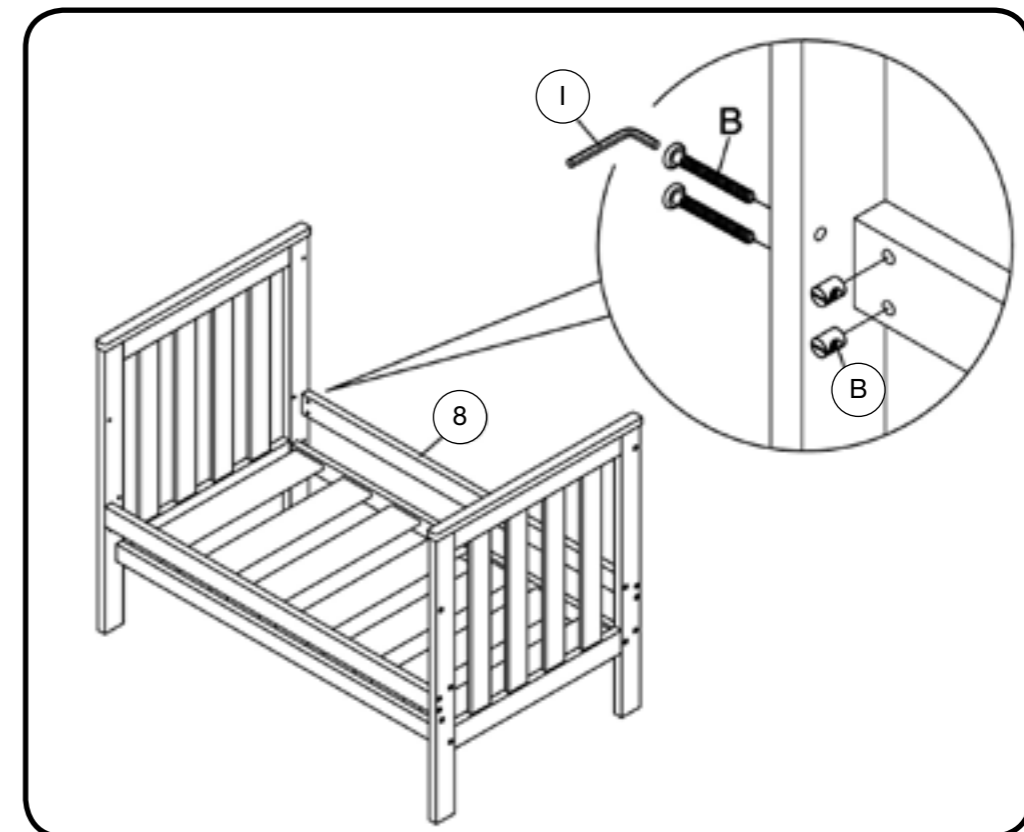


⚠ WARNING: This cot is designed to be used as a toddler bed when it is assembled with the cot bed rails (included). The toddler bed is only designed for use when the child can get on and off the bed unaided, at approximately 2-5 years of age. The cot bed rails are only designed for use with bebe care cots and with a bebe care mattress which has the following dimensions: (1310mm long x 750mm wide x 100-150mm thick).

For your safety we highly recommend that you follow the instruction steps in the sequence below; assuming that the cot is assembled in cot mode with mattress base in the lower position.

## Attaching cot bed rails

- Loosen (but do not remove) the 45mm bolts (C) in all four corners of the mattress base.
- Remove two 45mm bolts (C) from each end holding the fixed side panel in place and carefully lower the fixed side panel to the ground.
- Remove two pre-assembled 1.5mm filling bolts (H) and t-shaped nut set which are located nearest to the outer edge of the end panel on both ends of the cot.
- Place four barrel nuts (B) into the cot bed rail hole, making sure the slots are positioned pointing towards the end of the rail.
- Line up the cot bed rail with the holes located on the inside of each panel.
- Place four 80mm bolts (A) into the cot bed rails (8) as shown and gently tighten. Do not over tighten bolts.
- Place two 1.5mm filling bolts (H) and t-shaped nut set removed earlier in the vacant holes located at the top and bottom of the end panel on both ends of the cot.
- Remove the drop-side panel from the end panels by carefully detaching the drop-side guiding pins from the drop-side track.
- Repeat previous steps 2-6 to attach the second bed rail (8).
- Tighten all bolts. Do not over-tighten.
- Remove four drop-side guiding pins (D,E,F) to avoid a potential protrusion hazard.
- Toddler bed is now ready for use.





# Assembly Instructions - Sofa Seat Mode



## Removing drop-side panel

Assuming that the cot is assembled in cot mode with mattress base in the lower position:

1. Loosen (but do not remove) the 45mm bolts (C) in all four corners of the mattress base.
  2. Remove the drop-side panel from the end panels by carefully detaching the drop-side guiding pins (D,E,F) from the drop-side track.
  3. Remove four drop-side guiding pins to avoid a potential protrusion hazard and insert four 15mm bolts (G) to avoid potential finger entrapment hazard.
  4. Tighten all bolts on mattress base.
- △ **WARNING:** Do not over-tighten bolts.
5. Sofa seat is now ready for use.

# How to care for your bebe care cot

## Cleaning

To ensure the long-lasting use of your cot, wipe down with a damp cloth and use a mild soap solution if necessary. Do not use abrasive cleaners. Always store product in a clean dry place.

## Maintenance

Check cot regularly to ensure that locking devices and components are secure and working properly. Always check parts regularly for tightness of screws, nuts and other fasteners – tighten or replace if required. To maintain the safety of your cot, seek prompt repairs for bent, torn, worn or broken parts. Use only those parts and accessories approved by CNP Brands.

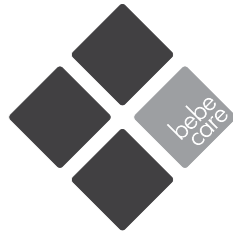
If you have any difficulties in assembling the cot, please contact our Service Department.

Distributed in Australia by CNP Brands, 20 Calarco Drive, VIC, 3030  
Customer Service: 1300 667 137

**W:** [www.cnpbrands.com.au](http://www.cnpbrands.com.au)      **E:** [info@cnpbrands.com.au](mailto:info@cnpbrands.com.au)

Distributed in New Zealand by Wainhouse Distribution, 2-6 Argyle St,  
Morningside, PO Box 41-014, St Lukes, Auckland, New Zealand  
Customer Service: 0800 567 5000 [helpline@wainhousedist.co.nz](mailto:helpline@wainhousedist.co.nz)

# Warranty Terms and Conditions



- 1.1 Our goods come with guarantees that cannot be excluded under the Australian Consumer Law. You are entitled to a replacement or refund for a major failure and compensation for any other reasonably foreseeable loss or damage. You are also entitled to have the goods repaired or replaced if goods fail to be of acceptable quality and the failure does not amount to a major failure.
- 1.2 In addition to the guarantees that cannot be excluded under the Australian Consumer Law described in clause 1.1 and any other guarantee or warranty implied by law, when you purchase one of our products, you will also have the peace of mind in knowing that your product is covered by CNP Brands Standard Warranty. The Standard Warranty is provided by C.O. White Pty Ltd trading as CNP Brands (ABN 97 004 169 233) ("CNP Brands"). The terms and conditions of the Standard Warranty are further described below.
- 1.3 Subject to clause 1.1 and the terms below, CNP Brands warrants that this CNP Brand product, purchased by you in Australia or New Zealand:
  - a) Is free from defects in workmanship and material, when the product is used for normal consumer use for a period of 2 years from the date of purchase as evidenced by your proof of purchase ("Warranty Term"); and
  - b) Will, when the product is used for normal consumer use, comply with the manufacturer's specifications during the Warranty Term.
- 1.4 CNP Brands agrees to repair or replace at CNP Brands cost, the product, and any accessory supplied with the product, which is proven upon inspection by CNP Brands or a CNP Brands Authorised Service Agent not to comply with either warranty contained in clause 1.3. Any decision to repair or replace a product is to be made by CNP in its absolute discretion. The extent of any repair will be to rectify any defect in workmanship and materials or to ensure that the product complies with the manufacturer's specifications.
- 1.5 To make a claim under this Standard Warranty you will need to:
  - a) Return the product within the Warranty Term to the place of purchase together with your proof of purchase, where the retailer will provide you with assistance to make your claim; or
  - b) Contact CNP Brands Customer Care Centre on toll free 1300 667 137 during the Warranty Term to register your claim and provide the details to enable CNP Brands to assess the claim.
- 1.6 You may also be required to make the product available to CNP Brands or a CNP Brands Authorised Service Agent. If you are required to return the product to a CNP Brands Authorised Service Agent, CNP Brands will provide details of the centre closest to you. Unless CNP Brands decides otherwise you are responsible for any costs associated with returning the product to CNP Brands. The product will be at your risk whilst in transit to and from the CNP Brands or CNP Brands Authorised Service Agent, unless transported by CNP Brands or its agents.
- 1.7 In order for your claim to be processed you will need to provide to CNP Brands with an original proof of purchase. For example an original retailer purchase receipt, bill of sale, invoice, lay-by docket, credit card receipt or similar proof of purchase.
- 1.8 If CNP Brands decide to repair a product, this product may be replaced by refurbished products of the same type rather than being repaired. Refurbished parts may be used to repair the product. Replacement of the product or a part does not extend or restart the Warranty Term.
- 1.9 Exclusions
  - a) This Standard Warranty does not cover products purchased as an ex-display, without being checked by CNP Brands or CNP Brands Authorised Service Agents.
  - b) This Standard Warranty does not cover faults or defects caused by:
    - i. Unsuitable, improper use or use not in accordance with the manufactures specifications;
    - ii. Incorrect installation or installation not in accordance with instructions provided;
    - iii. Normal wear and tear;
    - iv. Inadequate or complete lack of maintenance;
    - v. Chemical, electrochemical or electrical influences; or
    - vi. Harsh detergents or abrasive cleaners used on product finishes.
  - c) To the fullest extent permitted by law, CNP Brands excludes all liability for damage or injury to any person, damage to any property, and any indirect consequential or other loss or damage.

For Customer Service in Australia, contact CNP Brands on 1300 667 137 or email [info@cnpbrands.com.au](mailto:info@cnpbrands.com.au). In New Zealand contact Wainhouse Distribution on 0800 567 5000 or email [helpline@wainhousedist.co.nz](mailto:helpline@wainhousedist.co.nz).



# CNP BRANDS

CHILDCARE NURSERY PRODUCTS | EST. 1899



Distributed in Australia by CNP Brands, 20 Calarco Drive, VIC, 3030  
Customer Service 1300 667 137

**W: [www.cnpbrands.com.au](http://www.cnpbrands.com.au)**

**E: [info@cnpbrands.com.au](mailto:info@cnpbrands.com.au)**

Distributed in New Zealand by Wainhouse Distribution, 2-6 Argyle St,  
Morningside, PO Box 41-014, St Lukes, Auckland, New Zealand  
Customer Service: 0800 567 5000

**E: [helpline@wainhousedist.co.nz](mailto:helpline@wainhousedist.co.nz)**

